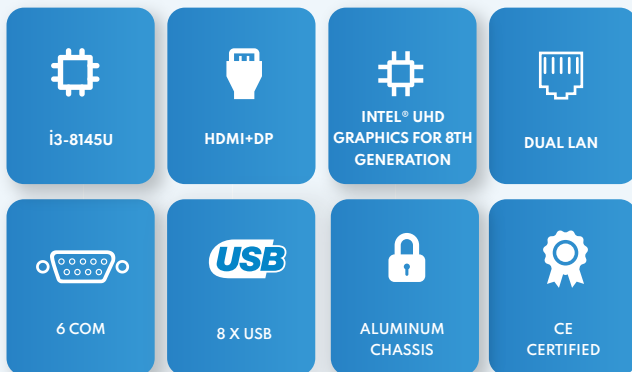


E-LIFE INNOBOX G2 i3-8145U

Rugged Box PC

GENERAL INFORMATION

- Intel Core i3-8145U Mobile Processor
- 4GB DDR4 2400 MHz Memory
- 128 GB M.2 SATAIII SSD Drive
- 2 Adet Gigabit Ethernet Ports
- DP + HDMI Display Outputs
- 4 x RS232, 2xRS485
- 4 x USB 3.2, 4 x USB 2.0
- Durable Aluminum Fanless Chassis
- Cable-Free Interior Structure
- CE Certified



The new generation Inno-Box G2 is more compact, more powerful, and more durable

The new E-Life Inno-Box i3-8145U Rugged Box PC has a compact body compared to its competitor, thanks to its cable-free interior design. However, it is far ahead of the competition with its rich connectivity, high processor performance, and durability. Thanks to its cable-free internal design for connections inside the product and its fanless aluminum housing, it offers uninterrupted operation in the most demanding industrial environments.



The new G2 Series combines the advantages of the 8th Gen Intel Core i3-8145U Mobile processor and DDR4 2400MHz memory technology up to a maximum of 64GB. So, the new InnoBox G2 i3-8145U Rugged Box PC offers much higher performance for the most complex tasks in your industrial applications.



New E-Life Inno-Box G2 i3-8145U Rugged Box PC has 4 x RS232, 2 x RS485, 4 x USB 3.0, 4x USB 3. With 2 and 2 Intel Gigabit Ethernet ports, it features unparalleled connectivity in an ultra-compact body. Its DP and HDMI display outputs support Dual View, giving it an advantage in applications that require dual monitors.

Technical Specifications



CPU

Intel® Core™ i3-8145U,
2.10 GHz, 4 MB Smart Cache
Max. 3,90 GHz with
Intel® Turbo Boost Technology 2.0



RAM

4GB DDR4 2400 MHz
SODIMM (Maks. 64 GB)



SSD

128GB M.2 SATAIII SSD



Serial Port

4 x RS232
2 x RS485



USB

4 x USB 3.2
4 x USB 2.0



LAN

1 x Intel i211 ve 1 x Intel i219
Gigabit Ethernet, Wake on LAN



Display Output

1 x DP, 1 x HDMI



Graphics

Intel® UHD Graphics for
8th Generation Processors



Audio

Onboard Realtek High
tDefinition Audio



Wi-Fi

Opsiyonel Intel Dual-Band
Wi-Fi + BT IEEE 802.11abgn,
802.11ac, 802.11d, 802.11e,
802.11i, 802.11h, 802.11w
Dual Mode Bluetooth® 4.2 (BLE)



Power Input

12V/19V DC



Power Adapter

12V 5A AC/DC Adaptör



Expansion

1 x M.2 Key E (Wi-Fi/4G)
1 x 2.5" SATA SSD



PC Case

Aluminum Body, Fanless,
Cable-free Internal Structure



Operating Temperature

-20 ~ +60 °C



Dimensions

165x125x65 mm



Weight

1,5 Kg.

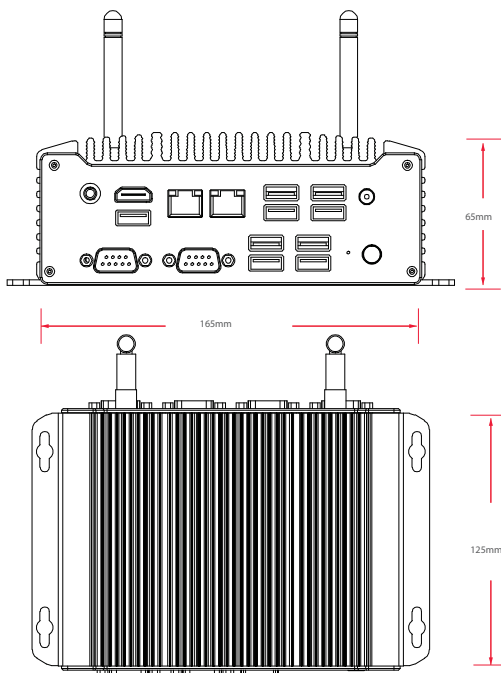


Supported Operating System

Windows 10 IoT,
Windows 10 Pro, Windows 11

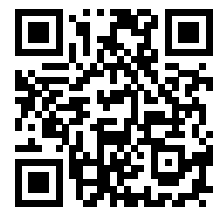
E-LIFE INNO-BOX G2 i3-8145U

Rugged Box PC



ТЕРРИТОРИЯ АВТОМАТИЗАЦИИ

220056, РБ, Минск, ул. Стариновская 31, пом.1Н
тел. +375 (17) 356-0990 факс +375 (17) 356-0995
www: t-automation.by @: info@t-automation.by



NOYA

NOYA DIJİTAL DÖNÜŞÜM TEKNOLOJİLERİ A.Ş

Hamidiye Mah. Soğuksu Caddesi
No:5 Kat:8 34408 Kağıthane /
İstanbul / Türkiye

☎ 0212 294 24 03
☎ 0850 399 66 92

info@noyatech.com
www.noyatech.com