

NE63**8315

SAMSUNG

6.3 cu. ft. Smart Slide-in Electric Range with Air Fry & Convection



Signature Features

Air Fry

- Cooking just got healthier with Air Fry mode.* Using little to no oil, you can quickly prepare your favorite fried foods right in your oven.

*As compared to deep frying. Air Fry tray sold separately.

Convection

- Powerful Convection saves you time by cooking food fast and more evenly. Perfect for baking and roasting.

Ready2Fit™ Guarantee

- If your Samsung Front Control Slide-In Range doesn't fit your 30" Freestanding Range cutout, enjoy \$100* on us to cover any countertop modification costs.

*Visit <https://promos.samsung.com/slideinready2fit> for details.

Available Colors



White Glass



Fingerprint Resistant
Stainless Steel (shown)



Air Fry – Tray Not Included



Convection

Features

- Air Fry – Tray Not Included
- Convection
- Ready2Fit™ Guarantee
- Fingerprint Resistant Finish
- Large Oven Capacity – 6.3 cu. ft.
- Glass Touch Controls
- Storage Drawer

- Flexible Cooktop:
Five Element Cooktop
 - Two Dual Elements (6"/9" and 9"/12")
 - Two Single Elements (6")
 - Warming Center

Convenience

- Wi-Fi Connectivity
- Voice-Enabled
- Convection Auto Conversion
- Self & Steam Clean
- Hidden Bake Element
- Child Safety Lock
- Delay Start
- Auto Oven Light
- Kitchen Timer
- Sabbath Mode

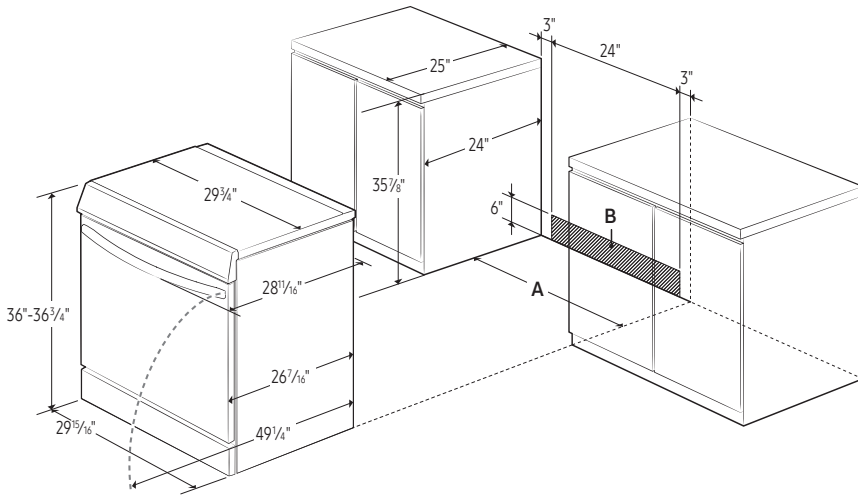


NE63**8315

SAMSUNG

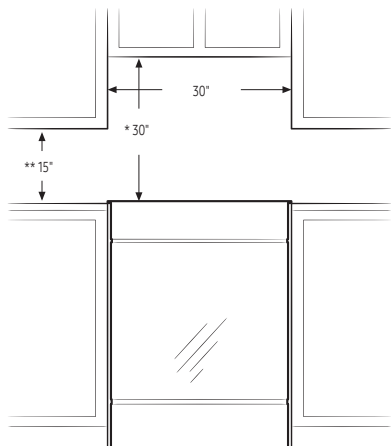
6.3 cu. ft. Smart Slide-in Electric Range with Air Fry & Convection

Installing Your Range



A: Cabinet opening min 30"
 B: Acceptable electrical outlet area

IMPORTANT: If your cabinets are over 36 3/4" high, you must install this range on a hard, heat resistant support that raises the surface of the range so that it is about even with the countertop.



* 30" minimum clearance between the top of the cooking surface and the bottom of an unprotected wood or metal cabinet; or 24" minimum when the bottom of the wood or metal cabinet is protected by not less than 1/4" of flame retardant millboard covered with not less than no.28 MSG sheet steel, 0.015" stainless steel, 0.024" aluminum, or 0.020" copper.

**15" minimum between the countertop and the adjacent cabinet bottom.

IMPORTANT: Consult with Installation Manual for detailed instructions before installing. All ranges must be installed with the Anti-Tip device that is included.

Power Source

240V/208V/60 Hz/40A

Electric Ceramic Cooktop

- Right Front: 9"/12" Dual Element, 3000 W
- Left Front: 6"/9" Dual Element, 3000 W
- Right Rear: 6", 1200 W
- Left Rear: 6", 1200 W
- Center: 7" Warming Center

Oven

- Capacity: 6.3 cu. ft.
- Convection Bake
- Convection Roast
- Bake
- Air Fry
- Variable Broil: Low/High
- Bread Proof

Warranty

One (1) Year Parts and Labor

Product Dimensions & Weight (WxHxD)

Oven Interior Dimensions:

24 13/16" x 22 7/16" x 19 3/4"

Outside Net Dimensions:

29 15/16" x 36 - 36 3/4" (Adjustable) x 28 11/16"

Weight: 171.5 lbs

Shipping Dimensions & Weight (WxHxD)

Dimensions:

33 1/16" x 41 3/4" x 30 5/16"

Weight: 194.4 lbs

Standard Finishes

Fingerprint Resistant
Stainless Steel

Model

NE63BG8315SS 887276712468

UPC Code

Bespoke Finishes

White Glass

NE63CB831512 887276744278

Actual color may vary. Design, specifications, and color availability are subject to change without notice. Non-metric weights and measurements are approximate.

©2022 Samsung Electronics America, Inc. 85 Challenger Road, Ridgefield Park, NJ 07660.
 Tel: 800-SAMSUNG. samsung.com. Samsung is a registered trademark of Samsung Electronics Co. Ltd.

Ready2Fit™

