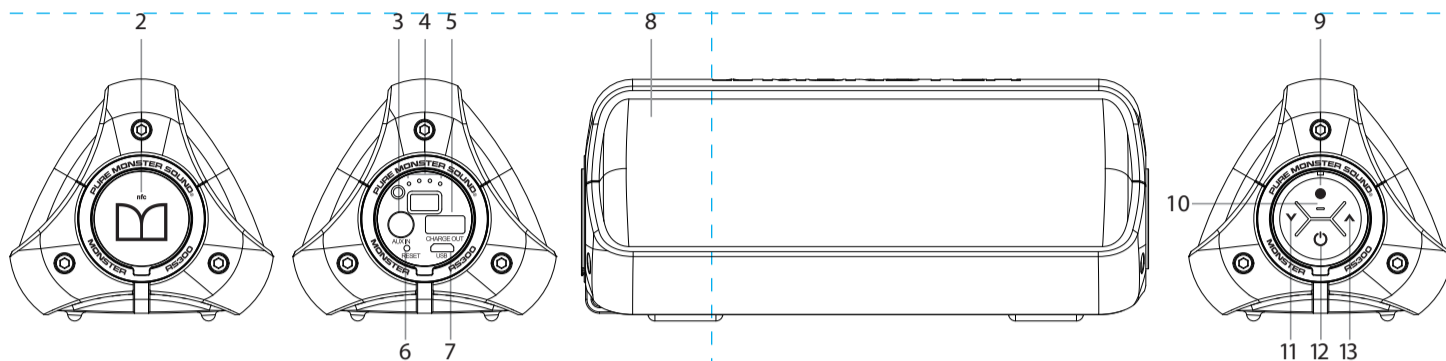
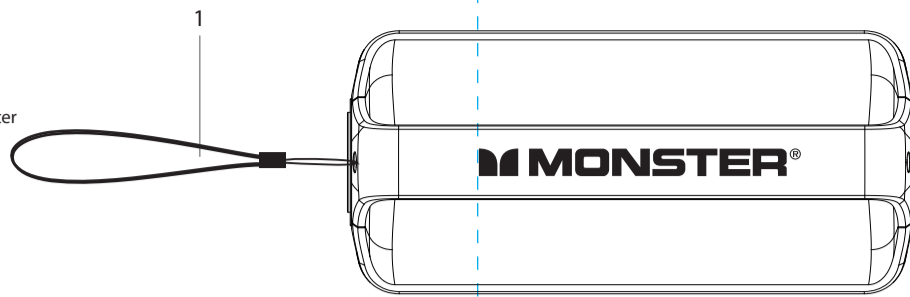


### Product Overview

- Speaker
- USB cable
- Lanyard
- QSG & Warranty Letter
- Noel's letter



- 1. Lanyard
- 2. NFC sensor
- 3. 3.5mm audio line in (AUX in)
- 4. Battery level and charging status indicator
- 5. Charge out
- 6. Reset Button
- 7. Charge in
- 8. Microphone
- 9. Multi Function Button (MFB) (pairing, phone call answer/end/reject, music play/pause)
- 10. LED indicator (power on/pairing)
- 11. Volume Down Button
- 12. Power On/Off Button
- 13. Volume Up Button

### Guide to Indicator Lights

CONDITION/MODE	DESCRIPTION	TONE/VOICE PROMPTS
Power On	Blue LED stays On	Opening tone
Power Off	All LEDs are Off	"Goodbye"
Bluetooth pairing mode	Blue & red LEDs flash alternately	"Discovering"
Connected	Blue LED On	"We are connected"
Charging	Battery level and charging status indicator shows the charging status	/
Battery indication (4 LEDs)	Show current battery level	/
Volume Up	/	Beep tone at maximum level
Volume Down	/	Beep tone at minimum level
Reset paired device list	Blue & red LED flash a few times	Double long low tone

### Power On/Power Off

- Power On mode, press and hold the Power On/Off Button for about 3 seconds to power on the speaker, you hear the opening tone
- To Power off the speaker, press and hold the Power On/Off Button for about 3 seconds again, you hear "Goodbye".
- Power On mode, press Power On/Off Button once to recall the battery level.

### Power/Charging

Before using the speaker, you need to charge the battery and pair the speaker with a compatible device. The package includes a Micro USB cable that can be connected to your computer or other device made for USB charging. You can use a standard USB compatible charging device, or you can plug the USB cable directly into a laptop or PC. Caution: use 500mA or up, 5V DC output only power adapter.

### Bluetooth pairing

1. In Power On mode, press and hold the MFB for about 2 seconds until LED indicator flashes blue and red alternately, you hear "Discovering". Now the device is in pairing mode. When you unbox the speaker and power it on for the first time, it will enter to pairing mode automatically.
2. Activate *Bluetooth*® on your phone and set it to search for new devices or tap your phone on the NFC sensor.

### Reset paired device list

After Power On and no music playing, press Volume Up Button, Volume Down Button and MFB simultaneously for around 5 seconds.

### Reset Device

There may be a malfunction, press the Reset Button to reset the speaker.

### Music

You can play and pause your music using the MFB Button. To perform this function short press the button. Some phones may require you to start a media player first. Press and hold the Volume Up Button for 2 seconds for next song. Press and hold the Volume Down Button for 2 seconds for previous song.

### Volume Control

Short press Volume Up Button or Volume Down Button to turn volume up or down, you hear beep tone once you reach the maximum volume or minimum volume.

### Call

- Answer a Call:** Press the MFB once.
- Reject a Call:** Press and hold the MFB for about 2 seconds.
- End a Call:** Press the MFB once.

### Precautions

- Do not drop, disassemble, deform, modify or insert any objects into this product as operating damage may result.
- Do not attempt to repair, modify or disassemble the product yourself. This product does not contain any user-serviceable components and may void the warranty.
- Do not clean the product with alcohol, ammonia based cleaners and abrasive cleaners.
- Do not place this product on slanted surfaces as well as the edge of high surfaces, like shelves, during music play to prevent accidental falling.
- Do not bring your product in to contact with any sharp objects as this may cause scratches and operating damage.
- Do not attempt to replace the product battery, it is built-in and is not user changeable.
- Observe all signs and displays that require an electrical device or RF radio product to be switch off in designated areas.
- Dispose of the product and the product's battery in accordance with local laws and regulations.
- Do not dispose of the battery with regular household waste.
- Do not place open flame sources on or near the product.

### FCC Statement

This equipment has been tested and found to comply with the limits for a Class B digital device, pursuant to Part 15 of the FCC Rules. These limits are designed to provide reasonable protection against harmful interference in a residential installation. This equipment generates use and can radiate radio frequency energy and, if not installed and used in accordance with the instructions, may cause harmful interference to radio or television reception, which can be determined by turning the equipment off and on, the user is encouraged to try to correct the interference by one of the following measures:

- Reorient or relocate the receiving antenna.
- Increase the separation between the equipment and receiver.
- Connect the equipment into an outlet on a circuit different from that to which the receiver is connected.
- Consult the dealer or an experienced radio / TV technician for help.

### FCC Notice

This device complies with Part 15 of the FCC Rules. Operation is subject to the following two conditions:

1. This device may not cause harmful interference, and
2. This device must accept any interference received, including interference that may cause undesired operation.

### FCC Caution

- Any changes or modifications not expressly approved by the party responsible for compliance could void the user's authority to operate this equipment.
- This device and its antenna(s) must not be co-located or operating in conjunction with any other antenna or transmitter.

### Industry Canada (IC) Compliance Notice

This device complies with Industry Canada licence-exempt RSS standard(s). Operation is subject to the following two conditions: (1) this device may not cause interference, and (2) this device must accept any interference, including interference that may cause undesired operation of the device. Under Industry Canada regulations, this radio transmitter may only operate using an antenna of a type and maximum (or lesser) gain approved for the transmitter by Industry Canada. To reduce potential radio interference to other users, the antenna type and its gain should be so chosen that the equivalent isotropically radiated power (e.i.r.p.) is not more than that necessary for successful communication.

