

NX58T7511SS

SAMSUNG

Samsung Freestanding Gas Range with Air Fry & Convection

5.8 cu. ft. Capacity



Signature Features

Air Fry

- Cooking just got healthier with new Air Fry mode.* Using little to no oil, you can quickly prepare your favorite fried foods right in your oven. Air Fry tray included.

*As compared to deep frying.

Convection

- Powerful convection saves you time by cooking food fast and more evenly. Perfect for baking and roasting.

18K BTU Dual Ring Power Burner

- Two powerful burners allow you to quickly boil water and sear meat evenly.

Available Colors



Stainless Steel (shown)



Fingerprint Resistant
Black Stainless Steel



Air Fry



Convection

Features

- Air Fry, Tray Included
- Convection
- 18K BTU Dual Ring Power Burner
- Large Oven Capacity – 5.8 cu. ft.
- Griddle
- Easy Cook Presets – Air Fry, Pizza, Bread Proof, Slow Cook
- Wide View Window
- Storage Drawer

- Powerful, Flexible Cooktop:
Five Burner Cooktop
 - Right Front: 18K BTU Dual Ring
 - Left Front: 15K BTU
 - Right Rear: 5K BTU
 - Left Rear: 9.5K BTU
 - Center (Oval): 10K BTU

Convenience

- Convection Auto Conversion
- Self Clean
- Child Safety Lock
- Delay Start
- Auto Oven Light
- Kitchen Timer
- Sabbath Mode



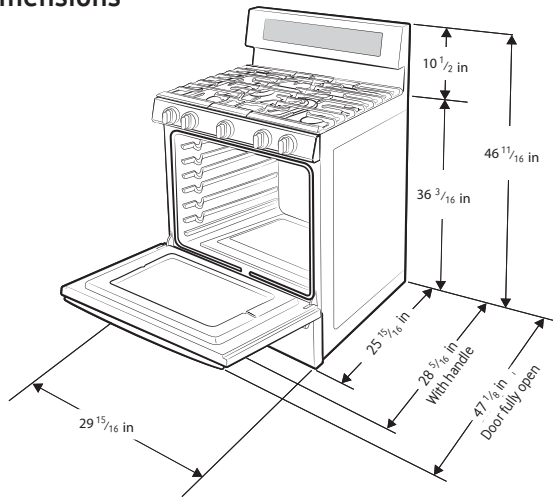
NX58T7511SS

SAMSUNG

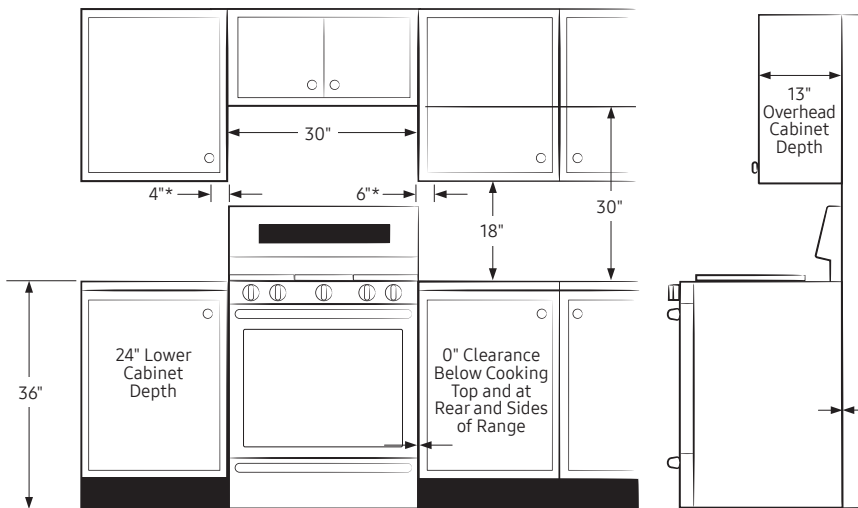
Samsung Freestanding Gas Range with Air Fry & Convection

5.8 cu. ft. Capacity

Product Dimensions



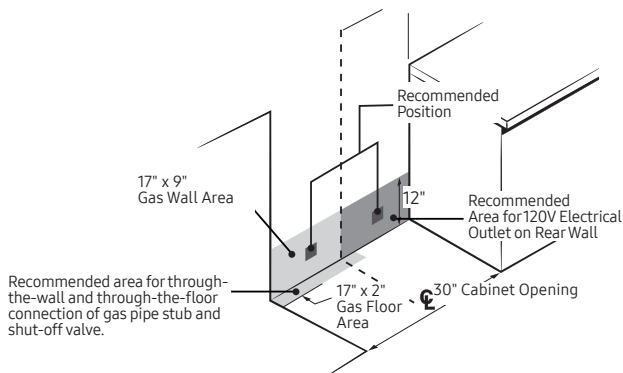
Installing Your Range



* Side clearance above cooking surface to any objects, i.e., wall.

IMPORTANT: Consult with Installation Manual for detailed instructions before installing. All ranges must be installed with the Anti-Tip device that is included.

Recommended Locations for Gas Piping and Electrical Outlets



Power Source

120V/60 Hz/20A

Total Power (BTU)

57,500 BTU

Black Enamel 5-Burner Cooktop

- Right Front: 18K BTU, Dual Ring
- Left Front: 15K BTU
- Right Rear: 5K BTU
- Left Rear: 9.5K BTU
- Center (Oval): 10K BTU

Oven

- Capacity: 5.8 cu. ft.
- Convection Bake
- Convection Roast
- Bake
- Variable Broil: Low/High
- Air Fry
- Pizza
- Bread Proof
- Slow Cook

Warranty

One (1) Year Parts and Labor

Product Dimensions & Weight (WxHxD)

Actual Oven Dimensions:

25" x 21¹/₈" x 19"

Outside Net Dimensions:

29¹⁵/₁₆" x 46¹¹/₁₆" x 28⁵/₁₆"

Weight: 186 lbs

Shipping Dimensions & Weight (WxHxD)

Dimensions:

33¹/₁₆" x 50⁵/₈" x 30⁵/₁₆"

Weight: 233 lbs

Color

Stainless Steel

Fingerprint Resistant

Black Stainless Steel

Model

NX58T7511SS

NX58T7511SG

UPC Code

887276428444

887276428437