



Mechanical Range



Trusted every day

Cylinders	6
Doormaster™ Multipoint Locks	17
Nightlatches	23
Rim Locks	32
Mortice Locks	34
PVCu Door Handles	42
PVCu Window Handles	47
Window Hinges	48
Letterplates	49
Additional Security	53
Essentials Range	74
Padlocks	82
Bike Locks	100
Safes	103

Contact us on our dedicated support lines:



Builders Merchants and Independent Retail Customers
 Tel: 0845 223 2126 Fax: 0845 223 2127 Email: csdtrade@assaabloy.com



Master Key
 Tel: 01902 364189 Email: master.key@assaabloy.com



Padlocks



Platinum 3 Star Cylinder



Platinum Letterplate



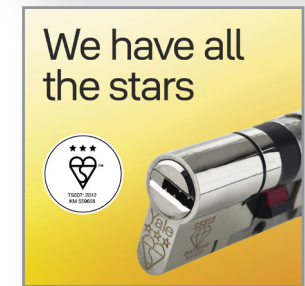
Continually innovating

- Committed to developing innovative security solutions to suit home, travel and outdoor
- Working with independent third parties to develop the latest security standards



Our marketing is 'Trusted every day'

- By choosing Yale, you can be assured you are purchasing superior quality products, tested to British Standards
- Backed by a robust activity programme including advertising, PR, video content and social media
- Follow us on Twitter @yaleuktrade, to keep up to date with all the latest news, events and product information



Yale Modular Merchandising System for 0.5m - 1m stands

- Stands should be forecasted 8-12 weeks in advance for larger orders
- Stands supplied FOC when stock is ordered to fill the stand
- Longer runs are available on request
- Speak to your sales representative for more information



Security Levels



STANDARD



Standard Security products offer convenient locking solutions with basic security features for internal doors.



HIGH



High Security products have additional features for protection against common attack methods.



MAXIMUM



Maximum Security products comply with the latest British Standards and offer increased protection against common attack methods.

Yale Guarantees



2 YEAR GUARANTEE

2 Year Guarantee




10 YEAR GUARANTEE

10 Year Guarantee

Yale guarantees all standard products for 2 years and all British Standard products for 10 years against faulty workmanship, materials and function, from the date it was purchased. Full details are available on our website www.yalehome.co.uk

QR Tag Explanation



You will find QR codes like this on product packaging and within this price list. If you have a smartphone you can use them to access online information. To use them just follow these simple steps:

1. Download a QR code reader app to your smartphone
2. Use the QR code reader to scan the code
3. View the content online

Product Features

Yale icons make it easier to identify product features, you will find a selection below:



Anti-Drill



Anti-Bump



Anti-Pick



Anti-Snap



Anti-Screw Protection



Anti-Saw



For use on Timber Doors



For use on PVCu Doors



For use on all types of Doors



For use on Composite Doors



For use on Timber Windows



For use on PVCu Windows



Patented Keys



Visi Packed Packaging



Boxed Packaging

Product Finishes

AL	ALUMINIUM	NP	NICKEL PLATE
AG	ANODISED GOLD	PB	POLISHED BRASS
AS	ANODISED SILVER	SB	SATIN BRASS
B	BRASS	SC	SATIN CHROME
BK	BLACK	SE	SILVER ENAMEL
BLX	BRASSLUX	SIL	SILVER
BN	BRUSHED NICKEL	SN	SATIN NICKEL
CH	POLISHED CHROME	SS	STAINLESS STEEL
DMG	DARK GREY	WE	WHITE
ENB	ELECTRO NICKEL BRASS	ZP	BRIGHT ZINC
GRY	GREY	SG	SATIN GOLD
BL	BLACK	PGF	POLISHED GOLD FINISH
PC	POLISHED CHROME	WH	WHITE
PG	POLISHED GOLD		

Endorsement Icons



PAS24 Kitemark (KM632305)



TS007 1★ Kitemark



TS007 2★ Kitemark



TS007 3★ Kitemark



BS Kitemark for Nightlatches/Mortice



Secured by Design



Insurance Approved



Sold Secure

Cylinders

The Yale Cylinder Range offers products across all security levels. Yale's TS007 3 Star range meets the latest innovation and quality standards offering the perfect replacement product.





Platinum 3 Star Cylinder

Comparison Chart



	Maximum	High	High	Standard
	Platinum 3 Star Cylinder	Superior 1 Star Cylinder	KM Series 1 Star Cylinder	Security 6 PIN Cylinder
Euro Single	✗	✗	✓	✓
Euro Double	✓	✓	✓	✓
Euro Turn	✓	✓	✓	✓
Keyed Alike (Pairs)	✓	✓	✓	✓
Box Packaging/Polybagged	✓	✓	✓	✓
Visi Packaging	✓	✗	✓	✓
Key Blank	YS3-KB-43 & YL-CYL-KB3A	KB01HS-YL1-43 & YL-CYL-KB1A	YL-CYL-KBA	YL-CYL-KBA
Product Features				
Corrosion Tested	480 Hrs	480 Hrs	480 Hrs	240 Hrs
Anti-Pick	✓	✓	✓	✗
Anti-Drill	✓	✓	✓	✗
Anti-Bump	✓	✓	✓	✓
Anti-Snap	✓	✗	✗	✗
Grip Deflectors	✓	✗	✗	✗
BS EN 1303: 2005 Classification	16010C5D	160B0C5D*	160B0C5D*	16000C50
BSI TS007 1 Star Kitemarked	✗	✓	✓	✗
BSI TS007 3 Star Kitemarked	✓	✗	✗	✗
Secured by Design Approved	✓	✓	✓	✗
Guarantee	10 Years	10 Years	10 Years	2 Years

Platinum 3 Star Euro Profile Cylinder



The Yale Platinum 3 Star Euro Profile Cylinder is a TS007 3 Star Kitemarked Anti-Snap security product which provides maximum security against known cylinder attack methods.

Specifications

- TS007 3 Star approved
- Sold Secure Diamond graded
- Accredited to BS EN 1303:2015
- Anti-Snap, sacrificial front section
- Anti-Pick, Anti-Bump, Anti-Screw, Anti-Pull and Anti-Drill

Features

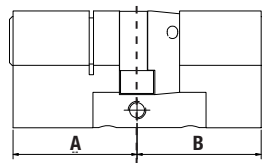
- £1000 anti-snap guarantee
- Precision engineering high security door cylinder
- Horizontal keyway
- Flat reversible dimple key with new stylish nylon key bow
- Key card for easy code identification and key duplication
- Available in Euro Double and Euro Thumbturn
- Available in Polished Brass and Nickel finishes
- 3 keys supplied



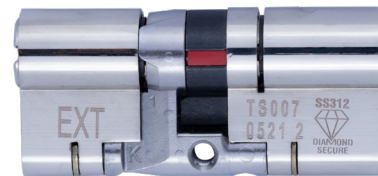
	Item Code	Barcode	Description	Finish
Euro Double	P-YS3-3535N	5011802257405	YALE PLATINUM 3 STAR 35/35 (70MM) NICKEL	BN
	P-YS3-4040N	5011802257580	YALE PLATINUM 3 STAR 40/40 (80MM) NICKEL	BN
	P-YS3-4535N	5011802277533	YALE PLATINUM 3 STAR 45/35 (80MM) NICKEL	BN
	P-YS3-4045N	5011802277496	YALE PLATINUM 3 STAR 40/45 (85MM) NICKEL	BN
	P-YS3-4550N	5011802257658	YALE PLATINUM 3 STAR 45/50 (95MM) NICKEL	BN
	P-YS3-4555N	5011802257603	YALE PLATINUM 3 STAR 45/55 (100MM) NICKEL	BN
	P-YS3-5050N	5011802257634	YALE PLATINUM 3 STAR 50/50 (100MM) NICKEL	BN
	P-YS3-3535B	5011802257399	YALE PLATINUM 3 STAR 35/35 (70MM) BRASS	PB
	P-YS3-4040B	5011802257573	YALE PLATINUM 3 STAR 40/40 (80MM) BRASS	PB
	P-YS3-4535B	5011802277564	YALE PLATINUM 3 STAR 45/35 (80MM) BRASS	PB
	P-YS3-4045B	5011802277502	YALE PLATINUM 3 STAR 40/45 (85MM) BRASS	PB
	P-YS3-4550B	5011802257641	YALE PLATINUM 3 STAR 45/50 (95MM) BRASS	PB
Euro Turn	P-YS3-4555B	5011802257597	YALE PLATINUM 3 STAR 45/55 (100MM) BRASS	PB
	P-YS3-5050B	5011802257610	YALE PLATINUM 3 STAR 50/50 (100MM) BRASS	PB
	P-YS3-3535NT	5011802257689	YALE PLATINUM 3 STAR T/TURN 35/35 (70MM) NICKEL	BN
	P-YS3-4040NT	5011802257672	YALE PLATINUM 3 STAR T/TURN 40/40 (80MM) NICKEL	BN
	P-YS3-3535BT	5011802257566	YALE PLATINUM 3 STAR 35/35 T/TURN (70MM) BRASS	PB
	P-YS3-4040BT	5011802257665	YALE PLATINUM 3 STAR T/TURN 40/40 (80MM) BRASS	PB

Cylinder Sizing - Platinum Cylinder Range

To ensure that you purchase the correct size cylinder for your lock, remove your old cylinder and measure each side of the cylinder as shown on the diagrams.



The Anti-Snap protection is on the external side(B) of the cylinder. The first size on the product code indicates the internal side(A).
E.g. Part Number P-YS3-4050B
 Internal Length(A) = 40mm
 External Length(B) = 50mm



£1000
Anti-Snap
Guarantee

Activate now
for FREE

Yalehome.co.uk/
cylinder-guarantee



Anti-Snap



Anti-Bump



Anti-Pick



Anti-Drill

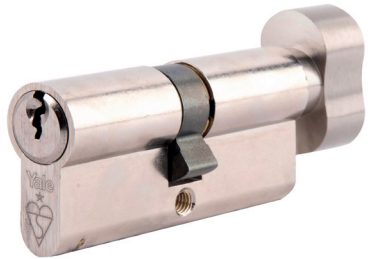
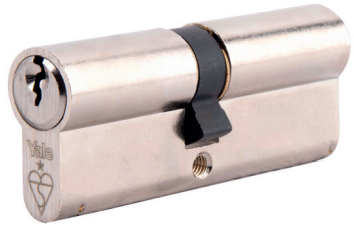


Anti-Screw



	Item Code	Barcode	Description	Finish
Euro Double	B-YS3-3535N	5011802266605	YALE PLATINUM 3 STAR 35/35 (70MM) NICKEL	BN
	B-YS3-3545N	5011802266636	YALE PLATINUM 3 STAR 35/45 (80MM) NICKEL	BN
	B-YS3-4040N	5011802266681	YALE PLATINUM 3 STAR 40/40 (80MM) NICKEL	BN
	B-YS3-4535N	5011802266773	YALE PLATINUM 3 STAR 45/35 (80MM) NICKEL	BN
	B-YS3-4045N	5011802266711	YALE PLATINUM 3 STAR 40/45 (85MM) NICKEL	BN
	B-YS3-4540N	5011802266797	YALE PLATINUM 3 STAR 45/40 (85MM) NICKEL	BN
	B-YS3-3555N	5011802266650	YALE PLATINUM 3 STAR 35/55 (90MM) NICKEL	BN
	B-YS3-4050N	5011802266735	YALE PLATINUM 3 STAR 40/50 (90MM) NICKEL	BN
	B-YS3-4545N	5011802266810	YALE PLATINUM 3 STAR 45/45 (90MM) NICKEL	BN
	B-YS3-5040N	5011802266872	YALE PLATINUM 3 STAR 50/40 (90MM) NICKEL	BN
	B-YS3-4055N	5011802266759	YALE PLATINUM 3 STAR 40/55 (95MM) NICKEL	BN
	B-YS3-4550N	5011802266834	YALE PLATINUM 3 STAR 45/50 (95MM) NICKEL	BN
	B-YS3-5045N	5011802266896	YALE PLATINUM 3 STAR 50/45 (95MM) NICKEL	BN
	B-YS3-5540N	5011802266933	YALE PLATINUM 3 STAR 55/40 (95MM) NICKEL	BN
	B-YS3-4555N	5011802266858	YALE PLATINUM 3 STAR 45/55 (100MM) NICKEL	BN
	B-YS3-5050N	5011802266919	YALE PLATINUM 3 STAR 50/50 (100MM) NICKEL	BN
	B-YS3-5545N	5011802266957	YALE PLATINUM 3 STAR 55/45 (100MM) NICKEL	BN
	B-YS3-6040N	5011802266971	YALE PLATINUM 3 STAR 60/40 (100MM) NICKEL	BN
	B-YS3-3535B	5011802266675	YALE PLATINUM 3 STAR 35/35 (70MM) BRASS	PB
	B-YS3-3545B	5011802266629	YALE PLATINUM 3 STAR 35/45 (80MM) BRASS	PB
	B-YS3-4040B	5011802266667	YALE PLATINUM 3 STAR 40/40 (80MM) BRASS	PB
	B-YS3-4535B	5011802266766	YALE PLATINUM 3 STAR 45/35 (80MM) BRASS	PB
	B-YS3-4045B	5011802266704	YALE PLATINUM 3 STAR 40/45 (85MM) BRASS	PB
	B-YS3-4540B	5011802266780	YALE PLATINUM 3 STAR 45/40 (85MM) BRASS	PB
	B-YS3-3555B	5011802266643	YALE PLATINUM 3 STAR 35/55 (90MM) BRASS	PB
	B-YS3-4050B	5011802266728	YALE PLATINUM 3 STAR 40/50 (90MM) BRASS	PB
	B-YS3-4545B	5011802266803	YALE PLATINUM 3 STAR 45/45 (90MM) BRASS	PB
	B-YS3-5040B	5011802266865	YALE PLATINUM 3 STAR 50/40 (90MM) BRASS	PB
	B-YS3-4055B	5011802266742	YALE PLATINUM 3 STAR 40/55 (95MM) BRASS	PB
	B-YS3-4550B	5011802266827	YALE PLATINUM 3 STAR 45/50 (95MM) BRASS	PB
	B-YS3-5045B	5011802266889	YALE PLATINUM 3 STAR 50/45 (95MM) BRASS	PB
	B-YS3-5540B	5011802266926	YALE PLATINUM 3 STAR 55/40 (95MM) BRASS	PB
B-YS3-4555B	5011802266841	YALE PLATINUM 3 STAR 45/55 (100MM) BRASS	PB	
B-YS3-5050B	5011802266902	YALE PLATINUM 3 STAR 50/50 (100MM) BRASS	PB	
B-YS3-5545B	5011802266940	YALE PLATINUM 3 STAR 55/45 (100MM) BRASS	PB	
B-YS3-6040B	5011802266964	YALE PLATINUM 3 STAR 60/40 (100MM) BRASS	PB	
Euro Turn	B-YS3-3535NT	5011802266612	YALE PLATINUM 3 STAR T/TURN 35/35 (70MM) NICKEL	BN
	B-YS3-4040NT	5011802266698	YALE PLATINUM 3 STAR T/TURN 40/40 (80MM) NICKEL	BN
	B-YS3-4055NT	5011802275270	YALE PLATINUM 3 STAR T/TURN 40/55 (85MM) NICKEL	BN
	B-YS3-3535BT	5011802266599	YALE PLATINUM 3 STAR T/TURN 35/35 (70MM) BRASS	PB
	B-YS3-4040BT	5011802266674	YALE PLATINUM 3 STAR T/TURN 40/40 (80MM) BRASS	PB

KM Series 1 Star Cylinder



The Yale KM Series Euro Profile Cylinder has been developed to provide resistance against common cylinder attack methods.

The KM Superior offers British Kitemarked TS007 1 Star security and has been tested to the British Standard BS EN 1303:2015.

Suitable as a replacement product on PVCu, wood and composite doors. This cylinder is Secured By Design approved and recommended for use on doors that require a high level of security and attack protection.

Specifications

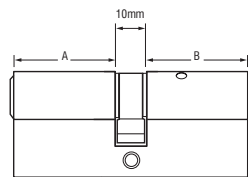
- TS007 1 Star approved
- Accredited to BS EN 1303:2015
- Replacement 6 Pin Euro Profile Cylinder
- BSI Kitemarked

Features

- Anti-Bump, Anti-Pick and Anti-Drill protection
- Available in Euro Single, Euro Double and Euro Thumbturn
- Available in Polished Brass and Nickel Plated finish
- 3 keys supplied

Cylinder Sizing - Superior Cylinder Range

To ensure that you purchase the correct size cylinder for your lock, remove your old cylinder and measure each side of the cylinder as shown on the diagrams.



E.g. Part Number B-ED3030-PB

'A' length = 30mm
'B' length = 30mm
Total length = 70mm

For thumb turn cylinders the first size on the product code indicates the side the thumb turn is on.

E.g. Part Number: **B-ET3545-PB**. The thumb turn is on the 35mm side.



	Item Code	Barcode	Description	Finish
Euro Single	PKMS3510-NP	5010609305777	KM Series Euro Single 35:10 (55mm)	NP
	PKM3030-NP	5010609174540	KM Series Euro Double 30:10:30 (70mm)	NP
	PKM3035-NP	5010609174564	KM Series Euro Double 30:10:35 (75mm)	NP
	PKM3040-NP	5010609174588	KM Series Euro Double 30:10:40 (80mm)	NP
	PKM3535-NP	5010609174663	KM Series Euro Double 35:10:35 (80mm)	NP
	PKM3045-NP	5010609174601	KM Series Euro Double 30:10:45 (85mm)	NP
	PKM3540-NP	5010609174687	KM Series Euro Double 35:10:40 (85mm)	NP
	PKM3050-NP	5010609174625	KM Series Euro Double 30:10:50 (90mm)	NP
	PKM3545-NP	5010609174700	KM Series Euro Double 35:10:45 (90mm)	NP
	PKM4040-NP	5010609174762	KM Series Euro Double 40:10:40 (90mm)	NP
	PKM3550-NP	5010609174724	KM Series Euro Double 35:10:50 (95mm)	NP
	PKM4045-NP	5010609174786	KM Series Euro Double 40:10:45 (95mm)	NP
	PKM3555-NP	5010609174748	KM Series Euro Double 35:10:55 (100mm)	NP
	PKM4050-NP	5010609174809	KM Series Euro Double 40:10:50 (100mm)	NP
	Euro Double	PKM4545-NP	5010609174823	KM Series Euro Double 45:10:45 (100mm)
PKM4055-NP		5010609174861	KM Series Euro Double 40:10:55 (105mm)	NP
PKM4550-NP		5010609174847	KM Series Euro Double 45:10:50 (105mm)	NP
PKM3030-PB		5010609174533	KM Series Euro Double 30:10:30 (70mm)	PB
PKM3535-PB		5010609174656	KM Series Euro Double 35:10:35 (80mm)	PB
PKM3540-PB		5010609174670	KM Series Euro Double 35:10:40 (85mm)	PB
PKM3545-PB		5010609174694	KM Series Euro Double 35:10:45 (90mm)	PB
PKM4040-PB		5010609174755	KM Series Euro Double 40:10:40 (90mm)	PB
PKM3550-PB		5010609174717	KM Series Euro Double 35:10:50 (95mm)	PB
PKM4045-PB		5010609174779	KM Series Euro Double 40:10:45 (95mm)	PB
PKM4050-PB		5010609174793	KM Series Euro Double 40:10:50 (100mm)	PB
PKM4545-PB		5010609174816	KM Series Euro Double 45:10:45 (100mm)	PB
PKM4055-PB		5010609174854	KM Series Euro Double 40:10:55 (105mm)	PB
PKM4550-PB		5010609174830	KM Series Euro Double 45:10:50 (105mm)	PB
Euro Turn		PKMT3030-NP	5010609305418	KM Series Euro Turn 30:10:30 (70mm)
	PKMT3535-NP	5010609305401	KM Series Euro Turn 35:10:35 (80mm)	NP
	PKMT3030-PB	5010609305425	KM Series Euro Turn 30:10:30 (70mm)	PB
	PKMT3535-PB	5010609305500	KM Series Euro Turn 35:10:35 (80mm)	PB



	Item Code	Barcode	Description	Finish
Euro Single	KMS3010-NP	5010609176988	KM Series Euro Single 30:10 (45mm)	NP
	KMS3510-NP	5010609177008	KM Series Euro Single 35:10 (50mm)	NP
	KMS3010-PB	5010609176971	KM Series Euro Single 30:10 (45mm)	PB
	KMS5010-PB	5010609177053	KM Series Euro Single 50:10 (65mm)	PB
Euro Double	KM3030-NP	5010609169621	KM Series Euro Double 30:10:30 (70mm)	NP
	KM3035-NP	5010609169645	KM Series Euro Double 30:10:35 (75mm)	NP
	KM3040-NP	5010609169669	KM Series Euro Double 30:10:40 (80mm)	NP
	KM3535-NP	5010609169744	KM Series Euro Double 35:10:35 (80mm)	NP
	KM3045-NP	5010609169683	KM Series Euro Double 30:10:45 (85mm)	NP
	KM3540-NP	5010609169768	KM Series Euro Double 35:10:40 (85mm)	NP
	KM3050-NP	5010609169706	KM Series Euro Double 30:10:50 (90mm)	NP
	KM3545-NP	5010609169782	KM Series Euro Double 35:10:45 (90mm)	NP
	KM4040-NP	5010609169843	KM Series Euro Double 40:10:40 (90mm)	NP
	KM3550-NP	5010609169805	KM Series Euro Double 35:10:50 (95mm)	NP
	KM4045-NP	5010609169867	KM Series Euro Double 40:10:45 (95mm)	NP
	KM3555-NP	5010609169829	KM Series Euro Double 35:10:55 (100mm)	NP
	KM4050-NP	5010609169881	KM Series Euro Double 40:10:50 (100mm)	NP
	KM4545-NP	5010609169904	KM Series Euro Double 45:10:45 (100mm)	NP
	KM4055-NP	5010609169942	KM Series Euro Double 40:10:55 (105mm)	NP
	KM4550-NP	5010609169928	KM Series Euro Double 45:10:50 (105mm)	NP
	KM3030-PB	5010609169614	KM Series Euro Double 30:10:30 (70mm)	PB
	KM3035-PB	5010609169638	KM Series Euro Double 30:10:35 (75mm)	PB
	KM3040-PB	5010609169652	KM Series Euro Double 30:10:40 (80mm)	PB
	KM3535-PB	5010609169737	KM Series Euro Double 35:10:35 (80mm)	PB
	KM3045-PB	5010609169676	KM Series Euro Double 30:10:45 (85mm)	PB
	KM3540-PB	5010609169751	KM Series Euro Double 35:10:40 (85mm)	PB
	KM3050-PB	5010609169690	KM Series Euro Double 30:10:50 (90mm)	PB
	KM3545-PB	5010609169775	KM Series Euro Double 35:10:45 (90mm)	PB
	KM4040-PB	5010609169836	KM Series Euro Double 40:10:40 (90mm)	PB
	KM3550-PB	5010609169799	KM Series Euro Double 35:10:50 (95mm)	PB
	KM4045-PB	5010609169850	KM Series Euro Double 40:10:45 (95mm)	PB
	KM3555-PB	5010609169812	KM Series Euro Double 35:10:55 (100mm)	PB
	KM4050-PB	5010609169874	KM Series Euro Double 40:10:50 (100mm)	PB
	KM4545-PB	5010609169898	KM Series Euro Double 45:10:45 (100mm)	PB
	KM4055-PB	5010609169935	KM Series Euro Double 40:10:55 (105mm)	PB
	KM4550-PB	5010609169911	KM Series Euro Double 45:10:50 (105mm)	PB
Euro Turn	KMT3030-NP	5010609175738	KM Series Euro Turn 30:10:30 (70mm)	NP
	KMT3535-NP	5010609175875	KM Series Euro Turn 35:10:35 (80mm)	NP
	KMT4030-NP	5010609175974	KM Series Euro Turn 40:10:30 (80mm)	NP
	KMT3540-NP	5010609175899	KM Series Euro Turn 35:10:40 (85mm)	NP
	KMT3050-NP	5010609175813	KM Series Euro Turn 30:10:50 (90mm)	NP
	KMT3545-NP	5010609175912	KM Series Euro Turn 35:10:45 (90mm)	NP
	KMT4040-NP	5010609176018	KM Series Euro Turn 40:10:40 (90mm)	NP
	KMT5030-NP	5010609176193	KM Series Euro Turn 50:10:30 (90mm)	NP
	KMT3550-NP	5010609175936	KM Series Euro Turn 35:10:50 (95mm)	NP



	Item Code	Barcode	Description	Finish	
Euro Turn	KMT4045-NP	5010609176032	KM Series Euro Turn 40:10:45 (95mm)	NP	
	KMT4540-NP	5010609176131	KM Series Euro Turn 45:10:40 (95mm)	NP	
	KMT5035-NP	5010609176216	KM Series Euro Turn 50:10:35 (95mm)	NP	
	KMT3030-PB	5010609175745	KM Series Euro Turn 30:10:30 (70mm)	PB	
	KMT3535-PB	5010609175882	KM Series Euro Turn 35:10:35 (80mm)	PB	
	KMT4030-PB	5010609175981	KM Series Euro Turn 40:10:30 (80mm)	PB	
	KMT3545-PB	5010609175929	KM Series Euro Turn 35:10:45 (90mm)	PB	
	KMT4040-PB	5010609176025	KM Series Euro Turn 40:10:40 (90mm)	PB	
	KMT3550-PB	5010609175943	KM Series Euro Turn 35:10:50 (95mm)	PB	
	KMT4045-PB	5010609176049	KM Series Euro Turn 40:10:45 (95mm)	PB	
	KMT4540-PB	5010609176148	KM Series Euro Turn 45:10:40 (95mm)	PB	
	Euro Double Keyed Alike	KM3030-NP-KA	5010609169980	KM Series Euro Double 30:10:30 (70mm) Keyed Alike	NP
		KM3040-NP-KA	5010609170023	KM Series Euro Double 30:10:40 (80mm) Keyed Alike	NP
		KM3535-NP-KA	5010609170108	KM Series Euro Double 35:10:35 (80mm) Keyed Alike	NP
		KM3540-NP-KA	5010609170122	KM Series Euro Double 35:10:40 (85mm) Keyed Alike	NP
		KM3545-NP-KA	5010609170146	KM Series Euro Double 35:10:45 (90mm) Keyed Alike	NP
KM4040-NP-KA		5010609170207	KM Series Euro Double 40:10:40 (90mm) Keyed Alike	NP	
KM3550-NP-KA		5010609170160	KM Series Euro Double 35:10:50 (95mm) Keyed Alike	NP	
KM4045-NP-KA		5010609170221	KM Series Euro Double 40:10:45 (95mm) Keyed Alike	NP	
KM3555-NP-KA		5010609170184	KM Series Euro Double 35:10:55 (100mm) Keyed Alike	NP	
KM4050-NP-KA		5010609170245	KM Series Euro Double 40:10:50 (100mm) Keyed Alike	NP	
Euro Turn Keyed Alike	KM4545-NP-KA	5010609170269	KM Series Euro Double 45:10:45 (100mm) Keyed Alike	NP	
	KM4550-NP-KA	5010609170283	KM Series Euro Double 45:10:50 (105mm) Keyed Alike	NP	
	KM3030-PB-KA	5010609169973	KM Series Euro Double 30:10:30 (70mm) Keyed Alike	PB	
	KM3535-PB-KA	5010609170092	KM Series Euro Double 35:10:35 (80mm) Keyed Alike	PB	
	KM3040-PB-KA	5010609170016	KM Series Euro Double 30:10:40 (80mm) Keyed Alike	PB	
	KM3545-PB-KA	5010609170139	KM Series Euro Double 35:10:45 (90mm) Keyed Alike	PB	
	KM4040-PB-KA	5010609170191	KM Series Euro Double 40:10:40 (90mm) Keyed Alike	PB	
	KM3550-PB-KA	5010609170153	KM Series Euro Double 35:10:50 (95mm) Keyed Alike	PB	
	KM4045-PB-KA	5010609170214	KM Series Euro Double 40:10:45 (95mm) Keyed Alike	PB	
	KM3555-PB-KA	5010609170177	KM Series Euro Double 35:10:55 (100mm) Keyed Alike	PB	
Euro Turn Keyed Alike	KM4050-PB-KA	5010609170238	KM Series Euro Double 40:10:50 (100mm) Keyed Alike	PB	
	KM4545-PB-KA	5010609170252	KM Series Euro Double 45:10:45 (100mm) Keyed Alike	PB	
	KMT3535-NP-KA	5010609176582	KM Series Euro Turn 35:10:35 (80mm) Keyed Alike	NP	
	KMT4540-NP-KA	5010609176803	KM Series Euro Turn 45:10:40 (95mm) Keyed Alike	NP	
	KMT3030-NP-KA	5010609176360	KM Series Euro Turn 30:10:30 (70mm) Keyed Alike	NP	
	KMT4050-NP-KA	5010609176827	KM Series Euro Turn 40:10:50 (100mm) Keyed Alike	NP	
Euro Turn Keyed Alike	KMT3030-PB-KA	5010609176353	KM Series Euro Turn 30:10:30 (70mm) Keyed Alike	PB	
	KMT4045-PB-KA	5010609176773	KM Series Euro Turn 40:10:45 (95mm) Keyed Alike	PB	
Euro Turn Keyed Alike	KMT4540-PB-KA	5010609176797	KM Series Euro Turn 45:10:40 (95mm) Keyed Alike	PB	



Superior 1 Star Euro Profile Cylinder

The Yale Superior Series offers British Kitemarked TS007 1 Star security and has been tested to the British Standard BS EN 1303:2015.

Suitable for PVCu, wood and composite doors. This cylinder is Secured By Design approved and recommended for use on doors that require a high level of security.

Specifications

- TS007 1 Star Kitemarked high security Euro Cylinder
- Accredited to BS EN 1303:2015

Features

- Advanced pin tumbler technology
- Anti-Bump, Anti-Drill and Anti-Pick
- Superior physical strength
- High security dimple cut blade key
- Key card for easy code identification and key duplication
- Nickel and Polished Brass finishes available
- Available in Euro Double and Euro Thumbturn
- 3 Keys supplied



Anti-Bump

Anti-Pick

Anti-Drill

Item Code	Barcode	Description	Finish
3030NKDHS-YL1B	5011802207721	HS Doub. Cyl TS007 1 Star 30/30 Nickel K/D 3 Keys (60mm)	BN
3040NKDHS-YL1B	5011802207752	HS Doub. Cyl TS007 1 Star 30/40 Nickel K/D 3 Keys (70mm)	BN
3045NKDHS-YL1B	5011802207776	HS Doub. Cyl TS007 1 Star 30/45 Nickel K/D 3 Keys (75mm)	BN
3050NKDHS-YL1B	5011802207790	HS Doub. Cyl TS007 1 Star 30/50 Nickel K/D 3 Keys (80mm)	BN
3535NKDHS-YL1B	5011802207875	HS Doub. Cyl TS007 1 Star 35/35 Nickel K/D 3 Keys (70mm)	BN
3545NKDHS-YL1B	5011802207929	HS Doub. Cyl TS007 1 Star 35/45 Nickel K/D 3 Keys (80mm)	BN
3550NKDHS-YL1B	5011802207950	HS Doub. Cyl TS007 1 Star 35/50 Nickel K/D 3 Keys (85mm)	BN
3555NKDHS-YL1B	5011802207981	HS Doub. Cyl TS007 1 Star 35/55 Nickel K/D 3 Keys (90mm)	BN
4040NKDHS-YL1B	5011802208070	HS Doub. Cyl TS007 1 Star 40/40 Nickel K/D 3 Keys (80mm)	BN
4045NKDHS-YL1B	5011802208148	HS Doub. Cyl TS007 1 Star 40/45 Nickel K/D 3 Keys (85mm)	BN
4050NKDHS-YL1B	5011802208186	HS Doub. Cyl TS007 1 Star 40/50 Nickel K/D 3 Keys (90mm)	BN
4055NKDHS-YL1B	5011802208230	HS Doub. Cyl TS007 1 Star 40/55 Nickel K/D 3 Keys (95mm)	BN
4060NKDHS-YL1B	5011802208285	HS Doub. Cyl TS007 1 Star 40/60 Nickel K/D 3 Keys (100mm)	BN
4545NKDHS-YL1B	5011802208391	HS Doub. Cyl TS007 1 Star 45/45 Nickel K/D 3 Keys (90mm)	BN
4550NKDHS-YL1B	5011802208445	HS Doub. Cyl TS007 1 Star 45/50 Nickel K/D 3 Keys (95mm)	BN
4555NKDHS-YL1B	5011802208520	HS Doub. Cyl TS007 1 Star 45/55 Nickel K/D 3 Keys (100mm)	BN
5050NKDHS-YL1B	5011802208650	HS Doub. Cyl TS007 1 Star 50/50 Nickel K/D 3 Keys (100mm)	BN
3030BKDHS-YL1B	5011802207707	HS Doub. Cyl TS007 1 Star 30/30 Brass K/D 3 Keys (60mm)	PB
3040BKDHS-YL1B	5011802207745	HS Doub. Cyl TS007 1 Star 30/40 Brass K/D 3 Keys (70mm)	PB
3045BKDHS-YL1B	5011802207769	HS Doub. Cyl TS007 1 Star 30/45 Brass K/D 3 Keys (75mm)	PB
3050BKDHS-YL1B	5011802207783	HS Doub. Cyl TS007 1 Star 30/50 Brass K/D 3 Keys (80mm)	PB
3535BKDHS-YL1B	5011802207813	HS Doub. Cyl TS007 1 Star35/35 Brass K/D 3 Keys (70mm)	PB
3545BKDHS-YL1B	5011802207905	HS Doub. Cyl TS007 1 Star 35/45 Brass K/D 3 Keys (80mm)	PB
3550BKDHS-YL1B	5011802207943	HS Doub. Cyl TS007 1 Star 35/50Brass K/D 3 Keys (85mm)	PB
3555BKDHS-YL1B	5011802207967	HS Doub. Cyl TS007 1 Star 35/55 Brass K/D 3 Keys (90mm)	PB
4040BKDHS-YL1B	5011802208018	HS Doub. Cyl TS007 1 Star 40/40 Brass K/D 3 Keys (80mm)	PB
4045BKDHS-YL1B	5011802208131	HS Doub. Cyl TS007 1 Star 40/45 Brass K/D 3 Keys (85mm)	PB
4050BKDHS-YL1B	5011802208155	HS Doub. Cyl TS007 1 Star 40/50 Brass K/D 3 Keys (90mm)	PB
4055BKDHS-YL1B	5011802208216	HS Doub. Cyl TS007 1 Star 40/55 Brass K/D 3 Keys (95mm)	PB
4060BKDHS-YL1B	5011802208278	HS Doub. Cyl TS007 1 Star 40/60 Brass K/D 3 Keys (100mm)	PB
4545BKDHS-YL1B	5011802208377	HS Doub. Cyl TS007 1 Star 45/45 Brass K/D 3 Keys (90mm)	PB
4550BKDHS-YL1B	5011802208421	HS Doub. Cyl TS007 1 Star 45/50 Brass K/D 3 Keys (95mm)	PB
4555BKDHS-YL1B	5011802208506	HS Doub. Cyl TS007 1 Star 45/55 Brass K/D 3 Keys (100mm)	PB
5050BKDHS-YL1B	5011802208599	HS Doub. Cyl TS007 1 Star 50/50 Brass K/D 3 Keys (100mm)	PB

Euro Double

TS007:2014

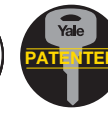
TS007 is a standard developed in response to concerns over Cylinder attacks. The standard is characterised by a 3 Star rating system, and can be achieved by combining a 1 Star Cylinder with a 2 Star security door furniture solution or by using a 3 Star stand alone Cylinder.

This standard is endorsed by the Door and Hardware Federation, BSI and Secured by Design, offering the very best level of Cylinder security for your door.

Yale recommend using a Platinum Series 2 Star handle in conjunction with a 1 Star Cylinder from the Yale KM series or a 3 Star Platinum Cylinder, providing the best level of protection against Cylinder manipulation attack.

TS007 Handle + KM Series Cylinder = 3 Star Solution





Anti-Bump

Anti-Pick

Anti-Drill

	Item Code	Barcode	Description	Finish
Euro Turn	3030NKDTHS-YL1B	5011802207738	HS T/T Cyl TS007 1 Star 30/30 Nickel K/D 3 Keys (60mm)	BN
	3535NKDTHS-YL1B	5011802207899	HS T/T Cyl TS007 1 Star 35/35 Nickel K/D 3 Keys (70mm)	BN
	3545NKDTHS-YL1B	5011802207936	HS T/T Cyl TS007 1 Star 35/45 Nickel K/D 3 Keys (80mm)	BN
	4040NKDTHS-YL1B	5011802208094	HS T/T Cyl TS007 1 Star 40/40 Nickel K/D 3 Keys (80mm)	BN
	4050NKDTHS-YL1B	5011802208193	HS T/T Cyl TS007 1 Star 40/50 Nickel K/D 3 Keys (90mm)	BN
	4055NKDTHS-YL1B	5011802208247	HS T/T Cyl TS007 1 Star 40/55 Nickel K/D 3 Keys (95mm)	BN
	4545NKDTHS-YL1B	5011802208964	HS T/T Cyl TS007 1 Star 45/45 Nickel K/D 3 Keys (90mm)	BN
	4550NKDTHS-YL1B	5011802214057	HS T/T Cyl TS007 1 Star 45/50 Nickel K/D 3 Keys (95mm)	BN
	5050NKDTHS-YL1B	5011802208667	HS T/T Cyl TS007 1 Star 50/50 Nickel K/D 3 Keys (100mm)	BN
	5540NKDTHS-YL1B	5011802208728	HS T/T Cyl TS007 1 Star 55/40 Nickel K/D 3 Keys (95mm)	BN
	3030BKDTHS-YL1B	5011802207714	HS T/T Cyl TS007 1 STAR 30/30 Brass K/D 3 Keys (60mm)	PB
	3535BKDTHS-YL1B	5011802207837	HS T/T Cyl TS007 1 STAR 35/35 Brass K/D 3 Keys (70mm)	PB
	4040BKDTHS-YL1B	5011802208056	HS T/T Cyl TS007 1 STAR 40/40 Brass K/D 3 Keys (80mm)	PB
	4050BKDTHS-YL1B	5011802208162	HS T/T Cyl TS007 1 STAR 40/50 Brass K/D 3 Keys (90mm)	PB
	4055BKDTHS-YL1B	5011802208223	HS T/T Cyl TS007 1 STAR 40/55 Brass K/D 3 Keys (95mm)	PB
	4545BKDTHS-YL1B	5011802208384	HS T/T Cyl TS007 1 STAR 45/45 Brass K/D 3 Keys (90mm)	PB
	4550BKDTHS-YL1B	5011802214040	HS T/T Cyl TS007 1 STAR 45/50 Brass K/D 3 Keys (95mm)	PB
	5050BKDTHS-YL1B	5011802208605	HS T/T Cyl TS007 1 STAR 50/50 Brass K/D 3 Keys (100mm)	PB
	4535NKDTHS-YL1B	5011802208353	HS T/T Cyl TS007 1 Star 45/35 Nickel K/D 3 Keys	BN
	3555NKDTHS-YL1B	5011802207998	HS T/T Cyl TS007 1 Star 35/55 Nickel K/D 3 Keys	BN
	5040NKDTHS-YL1B	5011802208568	HS T/T Cyl TS007 1 Star 50/40 Nickel K/D 3 Keys	BN
	5535NKDTHS-YL1B	5011802208704	HS T/T Cyl TS007 1 Star 55/35 Nickel K/D 3 Keys	BN
	3545BKDTHS-YL1B	5011802207912	HS T/T Cyl TS007 1 STAR 35/45 Brass K/D 3 Keys	PB
	4535BKDTHS-YL1B	5011802208339	HS T/T Cyl TS007 1 STAR 45/35 Brass K/D 3 Keys	PB
	3555BKDTHS-YL1B	5011802207974	HS T/T Cyl TS007 1 STAR 35/55 Brass K/D 3 Keys	PB
	5040BKDTHS-YL1B	5011802208551	HS T/T Cyl TS007 1 STAR 50/40 Brass K/D 3 Keys	PB
	5535BKDTHS-YL1B	5011802208698	HS T/T Cyl TS007 1 STAR 55/35 Brass K/D 3 Keys	PB
	5540BKDTHS-YL1B	5011802208711	HS T/T Cyl TS007 1 STAR 55/40 Brass K/D 3 Keys	PB

Security 6 Pin Euro Profile Cylinder



The Yale Security 6 Pin Euro Profile Cylinder is a convenient everyday locking solution. Tested to the British Standard BS EN 1303:2005, the cylinder is suitable as a replacement product on PVCu, wood and composite doors that require a standard level of security.

Specifications

- Replacement 6 Pin Euro Profile Cylinder
- Tested to BS EN 1303: 2005

Features

- Available in Euro Single, Euro Double, Euro Thumbturn and Euro Double Keyed Alike
- Available in Polished Brass and Nickel Plated finish
- 3 keys supplied



	Item Code	Barcode	Description	Finish
Euro Double	P-ED3030-SNP	5010609306361	6 Pin Euro Double 30:10:30 (70mm)	SNP
	P-ED3035-SNP	5010609306385	6 Pin Euro Double 30:10:35 (75mm)	SNP
	P-ED3040-SNP	5010609307054	6 Pin Euro Double 30:10:40 (80mm)	SNP
	P-ED3535-SNP	5010609306507	6 Pin Euro Double 35:10:35 (80mm)	SNP
	P-ED3540-SNP	5010609307092	6 Pin Euro Double 35:10:40 (85mm)	SNP
	P-ED3545-SNP	5010609307115	6 Pin Euro Double 35:10:45 (90mm)	SNP
	P-ED4040-SNP	5010609307177	6 Pin Euro Double 40:10:40 (90mm)	SNP
	P-ED3550-SNP	5010609307139	6 Pin Euro Double 35:10:50 (95mm)	SNP
	P-ED4045-SNP	5010609307191	6 Pin Euro Double 40:10:45 (95mm)	SNP
	P-ED3555-SNP	5010609307153	6 Pin Euro Double 35:10:55 (100mm)	SNP
	P-ED4050-SNP	5010609307214	6 Pin Euro Double 40:10:50 (100mm)	SNP
	P-ED4545-SNP	5010609306408	6 Pin Euro Double 45:10:45 (100mm)	SNP
	P-ED4550-SNP	5010609307566	6 Pin Euro Double 45:10:50 (105mm)	SNP
	P-ED3030-PB	5010609306354	6 Pin Euro Double 30:10:30 (70mm)	PB
	P-ED3040-PB	5010609307047	6 Pin Euro Double 30:10:40 (80mm)	PB
	P-ED3535-PB	5010609306491	6 Pin Euro Double 35:10:35 (80mm)	PB
	P-ED3540-PB	5010609307085	6 Pin Euro Double 35:10:40 (85mm)	PB
	P-ED3545-PB	5010609307108	6 Pin Euro Double 35:10:45 (90mm)	PB
	P-ED4040-PB	5010609307160	6 Pin Euro Double 40:10:40 (90mm)	PB
	P-ED4045-PB	5010609307184	6 Pin Euro Double 40:10:45 (95mm)	PB
P-ED4050-PB	5010609307207	6 Pin Euro Double 40:10:50 (100mm)	PB	
P-ED4545-PB	5010609306392	6 Pin Euro Double 45:10:45 (100mm)	PB	
P-ED4550-PB	5010609307559	6 Pin Euro Double 45:10:50 (105mm)	PB	
Euro Turn	P-ET3030-SNP	5010609307252	6 Pin Euro Turn 30:10:30 (70mm)	SNP
	P-ET3535-SNP	5010609307276	6 Pin Euro Turn 35:10:35 (80mm)	SNP
	P-ET4040-SNP	5010609307337	6 Pin Euro Turn 40:10:40 (90mm)	SNP
	P-ET3030-PB	5010609307245	6 Pin Euro Turn 30:10:30 (70mm)	PB
	P-ET3535-PB	5010609307269	6 Pin Euro Turn 35:10:35 (80mm)	PB
	P-ET4040-PB	5010609307320	6 Pin Euro Turn 40:10:40 (90mm)	PB

	Item Code	Barcode	Description	Finish
Euro Single	B-ES3010-SNP	5010609294903	6 Pin Euro Single Cylinder 30:10 (45mm)	SNP
	B-ES3510-SNP	5010609294927	6 Pin Euro Single Cylinder 35:10 (50mm)	SNP
	B-ES4010-SNP	5010609294941	6 Pin Euro Single Cylinder 40:10 (55mm)	SNP
	B-ES5510-SNP	5010609295009	6 Pin Euro Single Cylinder 55:10 (70mm)	SNP
	B-ES3010-PB	5010609294897	6 Pin Euro Single Cylinder 30:10 (45mm)	PB
	B-ES4010-PB	5010609294934	6 Pin Euro Single Cylinder 40:10 (55mm)	PB
	B-ED3030-SNP	5010609295047	6 Pin Euro Double 30:10:30 (70mm)	SNP
	B-ED3035-SNP	5010609295061	6 Pin Euro Double 30:10:35 (75mm)	SNP
	B-ED3040-SNP	5010609295085	6 Pin Euro Double 30:10:40 (80mm)	SNP
	B-ED3535-SNP	5010609295139	6 Pin Euro Double 35:10:35 (80mm)	SNP
Euro Double	B-ED3540-SNP	5010609295153	6 Pin Euro Double 35:10:40 (85mm)	SNP
	B-ED3050-SNP	5010609295108	6 Pin Euro Double 30:10:50 (90mm)	SNP
	B-ED3545-SNP	5010609295177	6 Pin Euro Double 35:10:45 (90mm)	SNP
	B-ED4040-SNP	5010609295238	6 Pin Euro Double 40:10:40 (90mm)	SNP
	B-ED3550-SNP	5010609295191	6 Pin Euro Double 35:10:50 (95mm)	SNP
	B-ED4045-SNP	5010609295252	6 Pin Euro Double 40:10:45 (95mm)	SNP
	B-ED3555-SNP	5010609295214	6 Pin Euro Double 35:10:55 (100mm)	SNP
	B-ED4050-SNP	5010609295276	6 Pin Euro Double 40:10:50 (100mm)	SNP
	B-ED4545-SNP	5010609295313	6 Pin Euro Double 45:10:45 (100mm)	SNP
	B-ED4055-SNP	5010609295290	6 Pin Euro Double 40:10:55 (105mm)	SNP
	B-ED4550-SNP	5010609295337	6 Pin Euro Double 45:10:50 (105mm)	SNP
	B-ED3030-PB	5010609295030	6 Pin Euro Double 30:10:30 (70mm)	PB
	B-ED3035-PB	5010609295054	6 Pin Euro Double 30:10:35 (75mm)	PB
	B-ED3040-PB	5010609295078	6 Pin Euro Double 30:10:40 (80mm)	PB
	B-ED3535-PB	5010609295122	6 Pin Euro Double 35:10:35 (80mm)	PB
	B-ED3540-PB	5010609295146	6 Pin Euro Double 35:10:40 (85mm)	PB
	B-ED3050-PB	5010609295092	6 Pin Euro Double 30:10:50 (90mm)	PB
	B-ED3545-PB	5010609295160	6 Pin Euro Double 35:10:45 (90mm)	PB
	B-ED4040-PB	5010609295221	6 Pin Euro Double 40:10:40 (90mm)	PB
	B-ED3550-PB	5010609295184	6 Pin Euro Double 35:10:50 (95mm)	PB
	B-ED4045-PB	5010609295245	6 Pin Euro Double 40:10:45 (95mm)	PB
	B-ED3555-PB	5010609295207	6 Pin Euro Double 35:10:55 (100mm)	PB
	B-ED4050-PB	5010609295269	6 Pin Euro Double 40:10:50 (100mm)	PB
	B-ED4545-PB	5010609295306	6 Pin Euro Double 45:10:45 (100mm)	PB
	B-ED4055-PB	5010609295283	6 Pin Euro Double 40:10:55 (105mm)	PB
	B-ED4550-PB	5010609295320	6 Pin Euro Double 45:10:50 (105mm)	PB

	Item Code	Barcode	Description	Finish
Euro Double Keyed Alike	B-ED3030KA-SNP	5010609295535	6 Pin Euro Double 30:10:30 (70mm) Keyed Alike	SNP
	B-ED3535KA-SNP	5010609295559	6 Pin Euro Double 35:10:35 (80mm) Keyed Alike	SNP
	B-ED3540KA-SNP	5010609295573	6 Pin Euro Double 35:10:40 (85mm) Keyed Alike	SNP
	B-ED3545KA-SNP	5010609295610	6 Pin Euro Double 35:10:45 (90mm) Keyed Alike	SNP
	B-ED4040KA-SNP	5010609295672	6 Pin Euro Double 40:10:40 (90mm) Keyed Alike	SNP
	B-ED3550KA-SNP	5010609295634	6 Pin Euro Double 35:10:50 (95mm) Keyed Alike	SNP
	B-ED4045KA-SNP	5010609295696	6 Pin Euro Double 40:10:45 (95mm) Keyed Alike	SNP
	B-ED3555KA-SNP	5010609295658	6 Pin Euro Double 35:10:55 (100mm) Keyed Alike	SNP
	B-ED4050KA-SNP	5010609295719	6 Pin Euro Double 40:10:50 (100mm) Keyed Alike	SNP
	B-ED4545KA-SNP	5010609295757	6 Pin Euro Double 45:10:45 (100mm) Keyed Alike	SNP
	B-ED4550KA-SNP	5010609295771	6 Pin Euro Double 45:10:50 (105mm) Keyed Alike	SNP
	B-ED3540KA-PB	5010609295566	6 Pin Euro Double 35:10:40 (85mm) Keyed Alike	PB
	B-ED3545KA-PB	5010609295580	6 Pin Euro Double 35:10:45 (90mm) Keyed Alike	PB
	B-ED4040KA-PB	5010609295665	6 Pin Euro Double 40:10:40 (90mm) Keyed Alike	PB
	B-ED3550KA-PB	5010609295627	6 Pin Euro Double 35:10:50 (95mm) Keyed Alike	PB
	B-ED4045KA-PB	5010609295689	6 Pin Euro Double 40:10:45 (95mm) Keyed Alike	PB
	B-ED3555KA-PB	5010609295641	6 Pin Euro Double 35:10:55 (100mm) Keyed Alike	PB
	B-ED4050KA-PB	5010609295702	6 Pin Euro Double 40:10:50 (100mm) Keyed Alike	PB
	B-ED4545KA-PB	5010609295740	6 Pin Euro Double 45:10:45 (100mm) Keyed Alike	PB
	Euro Turn	B-ET3030-SNP	5010609295351	6 Pin Euro Turn 30:10:30 (70mm)
B-ET3535-SNP		5010609295375	6 Pin Euro Turn 35:10:35 (80mm)	SNP
B-ET3545-SNP		5010609295399	6 Pin Euro Turn 35:10:45 (90mm)	SNP
B-ET4040-SNP		5010609295436	6 Pin Euro Turn 40:10:40 (90mm)	SNP
B-ET4535-SNP		5010609295474	6 Pin Euro Turn 45:10:35(90mm)	SNP
B-ET4045-SNP		5010609295450	6 Pin Euro Turn 40:10:45 (95mm)	SNP
B-ET3555-SNP		5010609295412	6 Pin Euro Turn 35:10:55 (100mm)	SNP
B-ET4545-SNP		5010609295498	6 Pin Euro Turn 45:10:45 (100mm)	SNP
B-ET5535-SNP		5010609295511	6 Pin Euro Turn 55:10:35(100mm)	SNP
B-ET3030-PB		5010609295344	6 Pin Euro Turn 30:10:30 (70mm)	PB
B-ET3535-PB		5010609295368	6 Pin Euro Turn 35:10:35 (80mm)	PB
B-ET3545-PB		5010609295382	6 Pin Euro Turn 35:10:45 (90mm)	PB
B-ET4040-PB		5010609295429	6 Pin Euro Turn 40:10:40 (90mm)	PB
B-ET4535-PB		5010609295467	6 Pin Euro Turn 45:10:35(90mm)	PB
B-ET4045-PB		5010609295443	6 Pin Euro Turn 40:10:45 (95mm)	PB
B-ET3555-PB		5010609295405	6 Pin Euro Turn 35:10:55 (100mm)	PB
B-ET4545-PB		5010609295481	6 Pin Euro Turn 45:10:45 (100mm)	PB
B-ET5535-PB		5010609295504	6 Pin Euro Turn 55:10:35(100mm)	PB

Cylinder Masterkey

Item Code	Product Code	Barcode	Description
831109008025	BM-1109-PB	5010609055764	1109 Master Keyed Cylinder
831109008161	BM-1109-SC	5010609055771	1109 Master Keyed Cylinder
831109008162	BM-1109-CH	5010609055788	1109 Master Keyed Cylinder
831109098025	BMV-1109-PB	5010609055818	1109 Master Keyed Cylinder "VAUN"
831109098161	BMV-1109-SC	5010609055825	1109 Master Keyed Cylinder "VAUN"
83110909025	BM-HSB1109-PB	5010609055795	1109 "HSB" Master Keyed Cylinder
83110909161	BM-HSB1109-SC	5010609055801	1109 "HSB" Master Keyed Cylinder
833325400001	B-1PIN-TP	5010609019933	500 x No.1 Pins (0)
833325401001	B-2PIN-TP	5010609019940	500 x No.2 Pins (1)
833325402001	B-3PIN-TP	5010609019957	500 x No.3 Pins (2)
833325403001	B-4PIN-TP	5010609019964	500 x No.4 Pins (3)

Item Code	Product Code	Barcode	Description
833325404001	B-5PIN-TP	5010609019971	500 x No.5 Pins (4)
833325405001	B-6PIN-TP	5010609019988	500 x No.6 Pins (5)
833325406001	B-7PIN-TP	5010609019995	500 x No.7 Pins (6)
833117111001	B-1109-SPRING	5010609019629	500 x Cylinder springs
833266129025	833266129025	5010609019650	20 X 1109 PB Cylinder Bodies
833266129161	833266129161	5010609019667	20 X 1109 SC Cylinder Bodies
833321316001	B-1-DRIVER-TP	5010609019773	500 x No.1 Drivers
833321317001	B-2-DRIVER-TP	5010609019780	500 x No.2 Drivers
833321318001	B-3-DRIVER-TP	5010609019797	500 x No.3 Drivers
833322301001	B-1-MDRIVER-TP	5010609019810	500 x No.1 M Drivers
833322302001	B-2-MDRIVER-TP	5010609019827	500 x No.2 M Drivers

Item Code	Product Code	Barcode	Description
833322303001	B-3-MDRIVER-TP	5010609019834	500 x No.3 M Drivers
833652302168	B-1109-45-TP	5010609020090	100 x 1109 Connecting screws 45mm
833724705168	B-1109-PRET-TP	5010609020106	20 x 1109 Plug retaining circlips
833764104025	B-1109PBROSE-TP	5010609020137	20 x 1109 Cylinder Rose
833764104161	B-1109SCROSE-TP	5010609020144	20 x 1109 Cylinder Rose
833765101168	B-1109-CBAR-TP	5010609020151	40 x 1109 Connecting bars
633373302170	B-A76CBAR	5010609013320	10 X Connecting Bars A76
641122038027	BW-1122-PB	5010609052114	1122 1 1/8" Cylinder
641122038161	BW-1122-SC	5010609052121	1122 1 1/8" Cylinder
641133001161	B-1133-SC	5010608555319	1133 Cylinder
641133008161	BW-1133-SC	5010609052138	1133 Cylinder

Doormaster™ Multi-Point Locks

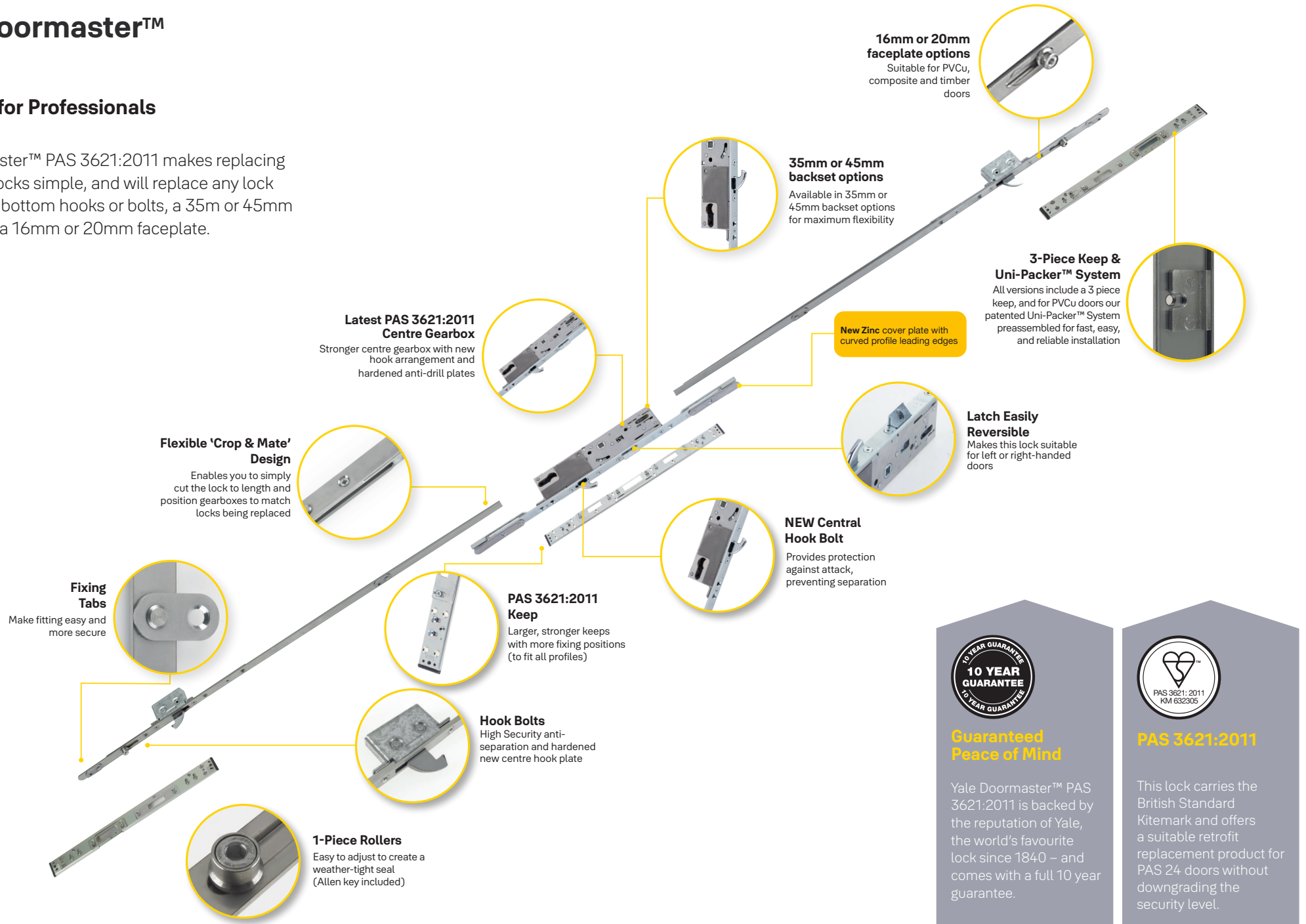
The complete range of Doormaster™ Multi-Point Locks has been designed with the replacement market in mind, with flexibility built in to the design for maximum compatibility without compromising on performance and quality.

- Maximum compatibility with minimum number of SKUs
- Innovative and unique design solutions
- Full range of security levels
- Premium quality and performance

Doormaster™ Universal Multi-Point Lock

Designed for Professionals

Yale Doormaster™ PAS 3621:2011 makes replacing multi-point locks simple, and will replace any lock with top and bottom hooks or bolts, a 35mm or 45mm backset and a 16mm or 20mm faceplate.



16mm or 20mm faceplate options
Suitable for PVCu, composite and timber doors

35mm or 45mm backset options
Available in 35mm or 45mm backset options for maximum flexibility

3-Piece Keep & Uni-Packer™ System
All versions include a 3 piece keep, and for PVCu doors our patented Uni-Packer™ System preassembled for fast, easy, and reliable installation

Latest PAS 3621:2011 Centre Gearbox
Stronger centre gearbox with new hook arrangement and hardened anti-drill plates

New Zinc cover plate with curved profile leading edges

Flexible ‘Crap & Mate’ Design
Enables you to simply cut the lock to length and position gearboxes to match locks being replaced

Latch Easily Reversible
Makes this lock suitable for left or right-handed doors

NEW Central Hook Bolt
Provides protection against attack, preventing separation

Fixing Tabs
Make fitting easy and more secure

PAS 3621:2011 Keep
Larger, stronger keeps with more fixing positions (to fit all profiles)


Hook Bolts
High Security anti-separation and hardened new centre hook plate

1-Piece Rollers
Easy to adjust to create a weather-tight seal (Allen key included)



Guaranteed Peace of Mind

Yale Doormaster™ PAS 3621:2011 is backed by the reputation of Yale, the world's favourite lock since 1840 – and comes with a full 10 year guarantee.



PAS 3621:2011

This lock carries the British Standard Kitemark and offers a suitable retrofit replacement product for PAS 24 doors without downgrading the security level.

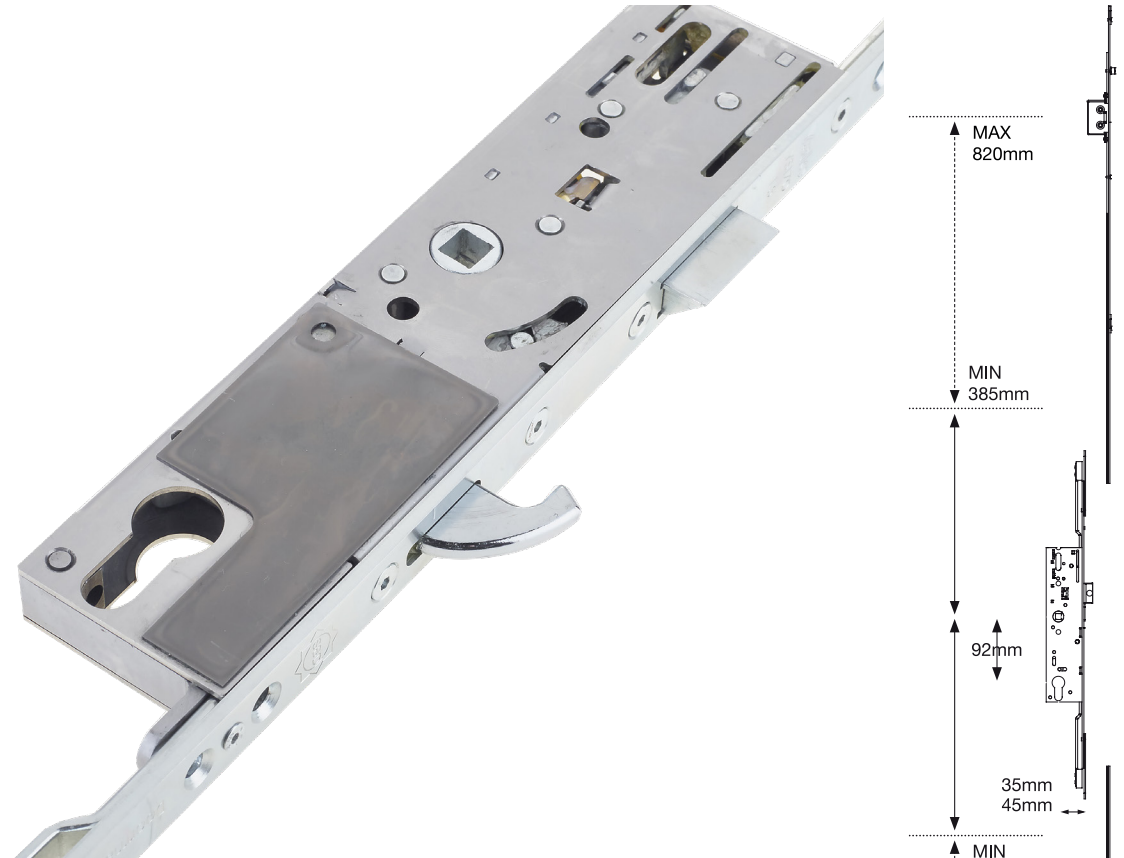
Yale Doormaster™ PAS 3621:2011



- Replaces almost all locks with hooks/bolts
- Ideal for PVCu, composite or timber doors
- One visit solution

Yale Doormaster™ PAS 3621:2011 includes all the great features of the Doormaster Professional lock, with the addition of maximum security features to make this PAS 3621:2011 compliant.

- Secured By Design approved and tested PAS 24 door set capable
- Variants available for PVCu, composite & timber doors
- Stronger centre gearbox with new hook arrangement
- Stronger and thicker faceplate in new material
- Anti-drill plates on the centre gearbox
- Larger, stronger keeps with more fixing positions (to fit all profiles)
- Larger screws
- Crop when fitting for greater adjustment
- Supplied with pre-assembled keeps including Uni-Packer™ System for PVCu doors or flush fit keeps for timber/composite doors
- Supplied with split spindles for nightlatch operation
- 10 year guarantee



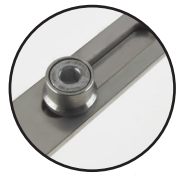
Yale Doormaster PAS 3621:2011	
Reach (upper) (mm)	385-820
Reach (lower) (mm)	408-845
Centres	92mm
Hooks	3
Keeps included	✓
PVCu Keep Strike	3 off incl Uni-Packer™
Timber/Comp Keep Strike	3 off incl. Easy Fit
Crop & mate installation	✓
PAS 3621: 2011	✓
PAS24 Doorset Capable	✓
Secured by Design	✓

Item Code	Barcode	Description	Door Type	Size (mm)	Faceplate (mm)
YDM-BS-PVCU-35	5011802227101	DM PAS3621:2011 PVCu 35mm B/Set	PVCu	35	16
YDM-BS-PVCU-45	5011802227118	DM PAS3621:2011 PVCu 45mm B/Set	PVCu	45	16
YDM-BS-TIMBR16-35	5011802227125	DM PAS3621:2011 Timber/Comp 35mm B/Set	Timber/Comp	35	16
YDM-BS-TIMBR16-45	5011802227132	DM PAS3621:2011 Timber/Comp 45mm B/Set	Timber/Comp	45	16
YDM-BS-TIMBR-45	5011802227149	DMPAS3621:2011 Timber/Comp 45mm B/Set	Timber/Comp	45	20

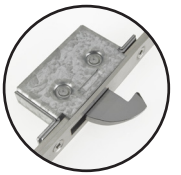
Yale Doormaster™ Professional



- High security PAS 24 Doorset capable replacement locks
- Professional fit range consists of just 5 SKUs with crop and mate technology
- Adjustable DIY friendly solution for PVCu doors with extendable reach so no need to crop



Adjustable rollers for compression and weather-proofing (PVCu refs only)



High Security anti-separation



Central hook for security and anti-separation



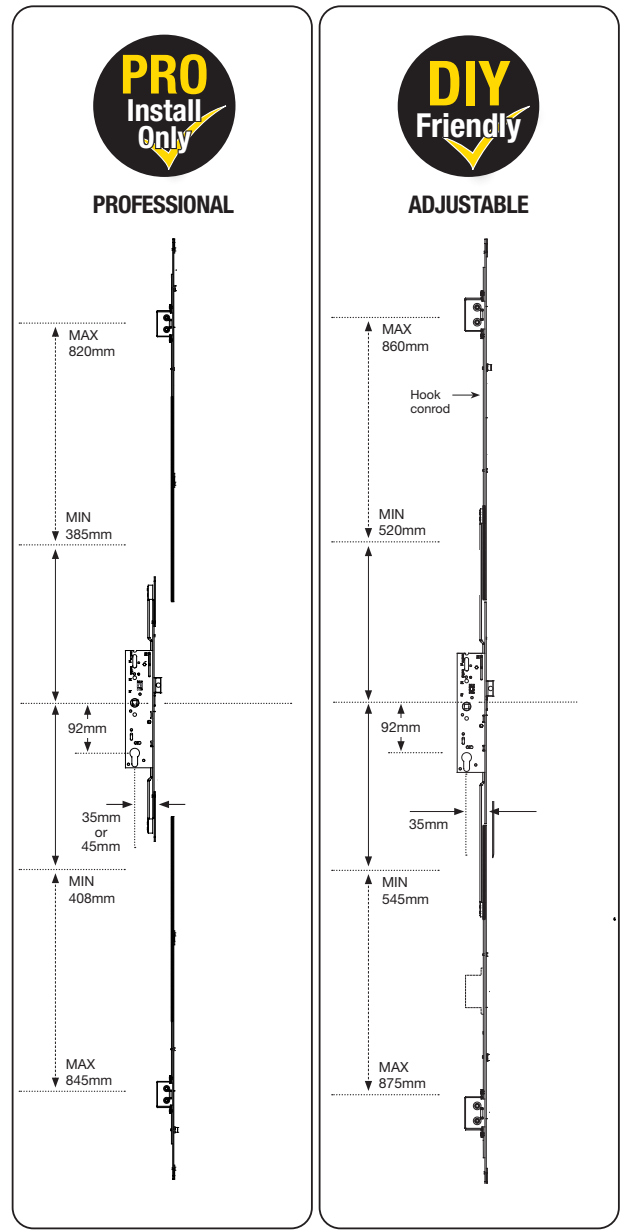
Fixing tabs for easy and secure fitting



Patented Uni-Packer™ keep system supplied with PVCu refs, different easy-fit keeps supplied with TMBR refs

	Doormaster Professional	Doormaster Adjustable
Reach (upper) (mm)	385-820	520-860
Reach (lower) (mm)	408-845	545-875
Centres	92mm	92mm
Hooks	3	3
Keeps included	✓	✓
PVCu Keep Strike	3 off incl Uni-Packer™	3 off incl Uni-Packer™
Timber/Comp Keep Strike	3 off incl. Easy Fit	N/A
Crop & mate installation	✓	✗
PAS24 Doorset Capable	✓	✓
Secured by Design	✓	✓
Door Type Variants	PVCu, Comp & Timber	PVCu
Backset Variants	35mm/45mm	35mm
Faceplate Variants	16mm/20mm	16mm
Guarantee	10 Years	10 Years

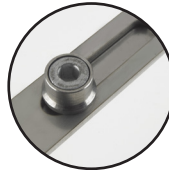
Item Code	Barcode	Description	Door Type	Size (mm)	Faceplate (mm)
YDM-ADJ-PVCU-35	5010609308679	DM ADJUSTABLE PVCu 35mm B/Set	PVCu	35	16
YDM-PRO-PVCU-35	5010609308686	DM PRO PVCu 35mm B/Set	PVCu	35	16
YDM-PRO-PVCU-45	5010609308693	DM PRO PVCu 45mm B/Set	PVCu	45	16
YDM-PRO-TMBR16-35	5011802172173	DM PRO Timber 35mm B/Set	Timber/Comp	35	16
YDM-PRO-TMBR16-45	5011802172180	DM PRO Timber 45mm B/Set	Timber/Comp	45	16
YDM-PRO-TMBR-45	5010609308709	DM PRO Timber 45mm B/Set	Timber/Comp	45	20



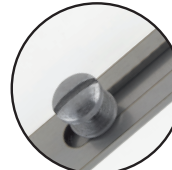
Yale Doormaster™ Universal



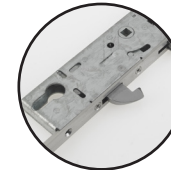
- 1 piece pre-assembled keep for easy installation
- Replaces almost all locks in PVCu doors
- Includes trim to fit in to eurogroove and hide any exposed original prep detail



Adjustable rollers for compression and weather-proofing



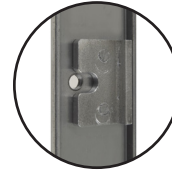
1 Piece, easy adjustment mushroom rollers



Central hook for security and anti-separation



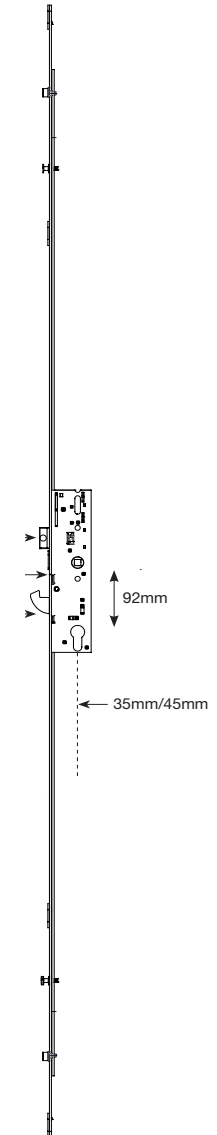
Fixing tabs for easy and secure fitting



Patented Uni-Packer™ system for fast, easy and reliable installation

Yale Doormaster Universal	
Centres	92mm
Hooks	1
Keeps included	✓
PVCu Keep Strike	1 Piece Uni-Packer™
Yale Keyfree Compatible	✓
Door Type Variants	PVCu
Backset Variants	35mm/45mm
Faceplate Variants	16mm
Guarantee	10 Years

Item Code	Barcode	Description	Door Type	Size (mm)	Faceplate (mm)
YDM-UNI-PVCU-35	5010609308716	DM Uni PVCu 35mm B/Set	PVCu	35	16
YDM-UNI-PVCU-45	5010609308723	DM Uni PVCu 45mm B/Set	PVCu	45	16



*Yale Doormaster MPL's are compatible with Yale's Conexis L1 Smart Lock - contact a Yale representative for more information.

Yale Doormaster™ Replacement Gearboxes



- Yale Gearboxes suitable for use in repair of Yale G2000, YS170, Lockmaster, Mila & GU multipoint locks
- Dual, split and through followers
- Supplied as gearbox only
- Gearbox kit available to purchase separately



Yale Doormaster™ Overnight Locks



A range of temporary locking solutions designed for repeat use. Available in 35mm and 45mm backset with 16mm or 20mm faceplates.

- Temporary security solution designed especially for professionals
- Several variants available to suit various door and lock types
- Shortened faceplate with centre gearbox attached
- PVCu locks supplied with a pre-assembled including Uni-Packer™ System for fast, easy, and reliable installation
- Timber locks supplied with flush-fit keep



Item Code	Barcode	Description	Door Type	Size (mm)	Faceplate (mm)
YDM-GBG2000H35D	5010609308853	DM GB G2000 Hook 35 Dual Follower	All Types	35	-
YDM-GB-GU-D35T	5010609308860	DM GB GU Dead 35 Through Follower	All Types	35	-
YDM-GBLMASTD35D	5010609308815	DM GB Lockmaster Dead 35 Dual Follower	All Types	35	-
YDM-GBLMASTD35T	5010609308839	DM GB Lockmaster Dead 35 Through Follower	All Types	35	-
YDM-GBLMASTD45D	5010609308822	DM GB Lockmaster Dead 45 Dual Follower	All Types	45	-
YDM-GBLMASTD45T	5010609308846	DM GB Lockmaster Dead 45 Through Follower	All Types	45	-
YDM-GBLMASTH35D	5010609308808	DM GB Lockmaster Hook 35 Dual Follower	All Types	35	-
YDM-GB-MILAD35T	5010609308877	DM GB Mila Dead 35 Through Follower	All Types	35	-
YDM-GBYS170H35S	5011802179516	DM GB YS170 Hook 35mm Split	All Types	35	-
YDM-GBYS170H45S	5011802179523	DM GB YS170 Hook 45mm Split	All Types	45	-
YDM-GB-KIT	5011802176836	DM Gearbox Kit	All Types	-	-

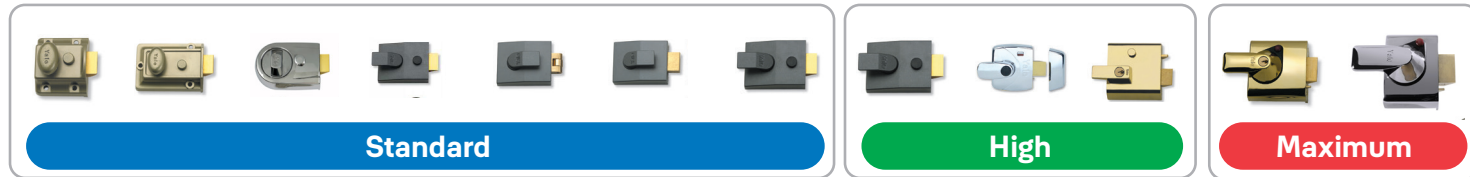
Item Code	Barcode	Description	Door Type	Size (mm)	Faceplate (mm)
YDM-ONPVC-D35DF	5010609308730	DM On PVCu Dead 35 (Lockmaster Dual Follower)	PVCu	35	16
YDM-ONPVC-D35TF	5010609308792	DM On PVCu Dead 35 (GU Through Follower)	PVCu	35	16
YDM-ONPVC-D45DF	5010609308747	DM On PVCu Dead 45 (Lockmaster Dual Follower)	PVCu	45	16
YDM-ONPVC-H35SF	5010609308761	DM On PVCu Hook 35 (YS170 Split Follower)	PVCu	35	16
YDM-ONPVC-H45SF	5010609308778	DM On PVCu Hook 45 (YS170 Split Follower)	PVCu	45	16
YDM-ONTMB-D45DF	5010609308754	DM On Timber Dead 45 (Lockmaster Dual Follower)	Timber/Comp	45	20
YDM-ONTMB-H45SF	5010609308785	DM On Timber Hook 45 (YS170 Split Follower)	Timber/Comp	45	20

Product Range Overview



Nightlatches

Yale has a comprehensive range of nightlatches suitable for all applications and security needs, including locks to meet BS 3621 & BS 8621. Yale's long standing history and experience in the manufacture of nightlatches means that the locks are commonly referred to as "Yale Locks".



	706	77	Y3	91	81	82	84/88	85/89	X9	P1/P2	BS1/BS2	BS3/BS4
Product Features												
Deadlock by snib	✓	✓	✓	✓	✗	✗	✓	✓	✓	✓	✓	✓
Deadlock by turn of key	✗	✗	✗	✗	✗	✗	✗	✓	✗	✗	✗	✗
Deadbolt	✗	✗	✗	✗	✗	✓	✗	✗	✗	✗	✗	✗
Rollerbolt	✗	✗	✗	✗	✓	✗	✗	✗	✗	✗	✗	✗
20mm latch bolt	✗	✗	✗	✗	✗	✗	✗	✗	✗	✗	✓	✓
Lockable handle	✗	✗	✗	✗	✗	✗	✗	✗	✗	✓	✓	✗
Safety action handle	✗	✗	✗	✗	✗	✗	✗	✗	✓	✗	✗	✗
5 pin rim cylinder	✓	✓	✓	✓	✓	✓	✓	✓	✓	✓	✗	✗
6 pin rim cylinder (TS007 1 star)	✗	✗	✗	✗	✗	✗	✗	✗	✗	✗	✓	✓
Kitemark BS 3621:2007	✗	✗	✗	✗	✗	✗	✗	✗	✗	✗	✓	✗
Kitemark BS 8621:2007	✗	✗	✗	✗	✗	✗	✗	✗	✗	✗	✗	✓
Secured by Design	✗	✗	✗	✗	✗	✗	✗	✗	✗	✗	✓	✓
CE marked	✗	✗	✗	✗	✗	✗	✗	✗	✗	✗	✓	✓
Guarantee (Years)	2	2	2	2	2	2	2	2	2	2	10	10

British Standard Nightlatch



Yale British Standard Nightlatches offer the maximum level of protection against known attack methods.

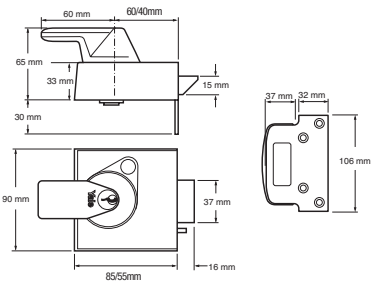
Specifications

- Complies to BS EN 12209:2003 & BS EN 1303:2005
- CE marked
- Insurance approved

Features

- 20mm anti-saw bolt for increased strength
- Supplied with high security TS007 1 Star 6 Pin Rim Cylinder
- Anti-drill
- Anti-pick
- Anti-bump
- Anti-carding protection
- Internal lockable handle
- Automatic deadlocking
- Push button to hold back the latch

Polished Chrome Brasslux Dark Metallic Grey



1 & 2 Double Locking Nightlatch

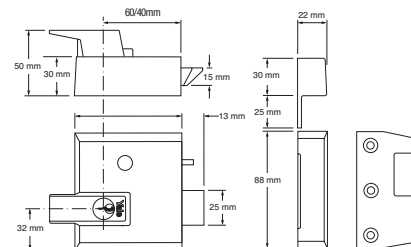


High Security Double Locking Nightlatch with internal lockable handle and automatic deadlocking.

Features

- Automatic deadlocking
- Supplied with anti-bump 1109 rim cylinder
- Anti-carding protection
- Anti-bump
- Snib to deadlock or hold back the latch
- Internal lockable handle

Polished Chrome Brasslux Dark Metallic Grey



Item Code	Catalogue Code	Barcode	Description	Size	Lock Finish	Cylinder Finish	Packaging
630010005162	P-BS1-CH-CH-60	5010609030501	PBS1 Max Security BS3621:2007 Nightlatch	60	CH	CH	Visi Packed
630010005174	P-BS1-BLX-PB-60	5010609030525	PBS1 Max Security BS3621:2007 Nightlatch	60	BLX	PB	Visi Packed
630010005722	P-BS1-DMG-PB-60	5010609030495	PBS1 Max Security BS3621:2007 Nightlatch	60	DMG	PB	Visi Packed
630020005162	P-BS2-CH-CH-40	5010609030556	PBS2 Max Security BS3621:2007 Nightlatch	40	CH	CH	Visi Packed
630020005174	P-BS2-BLX-PB-40	5010609030570	PBS2 Max Security BS3621:2007 Nightlatch	40	BLX	PB	Visi Packed
630020005722	P-BS2-DMG-PB-40	5010609030549	PBS2 Max Security BS3621:2007 Nightlatch	40	DMG	PB	Visi Packed
P-BS3-BLX-PB-60	P-BS3-BLX-PB-60	5010609096552	PBS3 Emergency Escape BS8621:2007 Nightlatch	60	BLX	PB	Visi Packed
P-BS3-CH-CH-60	P-BS3-CH-CH-60	5010609096569	PBS3 Emergency Escape BS8621:2007 Nightlatch	60	CH	CH	Visi Packed
P-BS4-BLX-PB-40	P-BS4-BLX-PB-40	5010609096880	PBS4 Emergency Escape BS8621:2007 Nightlatch	40	BLX	PB	Visi Packed
630010001162	B-BS1-CH-CH-60	5010609177435	BS1 Max Security BS3621:2007 Nightlatch	60	CH	CH	Boxed
630010001174	B-BS1-BLX-PB-60	5010609030518	BS1 Max Security BS3621:2007 Nightlatch	60	BLX	PB	Boxed
B-BS1-SC-SC-60	B-BS1-SC-SC-60	5011802227576	BS1 Max Security BS3621:2007 Nightlatch	60	SC	SC	Boxed
630020001162	B-BS2-CH-CH-40	5010609286717	BS2 Max Security BS3621:2007 Nightlatch	40	CH	CH	Boxed
630020001174	B-BS2-BLX-PB-40	5010609030563	BS2 Max Security BS3621:2007 Nightlatch	40	BLX	PB	Boxed

Item Code	Catalogue Code	Barcode	Description	Size	Lock Finish	Cylinder Finish	Packaging
630001205402	P-1-DMG-PB-60	5010608000109	P1 Double Locking Nightlatch	60	DMG	PB	Visi Packed
630001215162	P-1-CH-CH-60	5010609099263	P1 Double Locking Nightlatch	60	CH	CH	Visi Packed
630001215542	P-1-BLX-PB-60	5010608000147	P1 Double Locking Nightlatch	60	BLX	PB	Visi Packed
630002205402	P-2-DMG-PB-40	5010608000208	P2 Double Locking Nightlatch	40	DMG	PB	Visi Packed
630002215162	P-2-CH-CH-40	5010609099256	P2 Double Locking Nightlatch	40	CH	CH	Visi Packed
630002215542	P-2-BLX-PB-40	5010608000246	P2 Double Locking Nightlatch	40	BLX	PB	Visi Packed
630001201402	B-1-DMG-PB-60	5010608900102	1 Double Locking Nightlatch	60	DMG	PB	Boxed
630001201409	B-1-DMG-SC-60	5010608900119	1 Double Locking Nightlatch	60	DMG	SC	Boxed
630001201542	B-1-BLX-PB-60	5010608900140	1 Double Locking Nightlatch	60	BLX	PB	Boxed
630002201402	B-2-DMG-PB-40	5010608900201	2 Double Locking Nightlatch	40	DMG	PB	Boxed
630002201409	B-2-DMG-SC-40	5010608900218	2 Double Locking Nightlatch	40	DMG	SC	Boxed
630002201542	B-2-BLX-PB-40	5010608900249	2 Double Locking Nightlatch	40	BLX	PB	Boxed

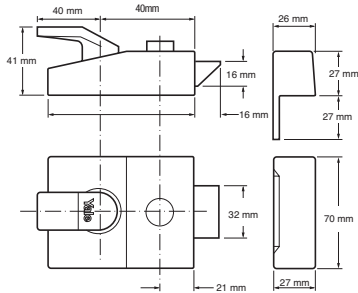
85 Deadlocking Nightlatch (40mm)



High Security Double Locking Nightlatch with deadlock function from the outside using a reverse turn of the key.

Features

- Anti-bump
- Supplied with anti-bump 1109 rim cylinder
- Inside handle can be deadlocked by a reverse turn of the key in the outside cylinder after closing the door
- Snib to deadlock or hold back the latch deadlocked by the snib button internally, making the lock inoperable by key or handle



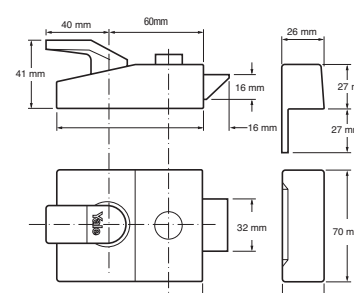
89 Deadlocking Nightlatch (60mm)



High Security Double Locking Nightlatch with deadlock function from the outside using a reverse turn of the key.

Features

- Anti-bump
- Supplied with anti-bump 1109 rim cylinder
- Inside handle can be deadlocked by a reverse turn of the key in the outside cylinder after closing the door
- Snib to deadlock or hold back the latch deadlocked by the snib button internally, making the lock inoperable by key or handle



Item Code	Catalogue Code	Barcode	Description	Size	Lock Finish	Cylinder Finish	Packaging
P-85-SC-SC-40	P-85-SC-SC-40	5011802209770	P85 Deadlocking Nightlatch	40	SC	SC	Visi Packed
630085005162	P-85-CH-CH-40	5010608992381	P85 Deadlocking Nightlatch	40	CH	CH	Visi Packed
630085005542	P-85-BLX-PB-40	5010608808583	P85 Deadlocking Nightlatch	40	BLX	PB	Visi Packed
630085005702	P-85-DMG-PB-40	5010608808507	P85 Deadlocking Nightlatch	40	DMG	PB	Visi Packed
630085005709	P-85-DMG-SC-40	5010608808514	P85 Deadlocking Nightlatch	40	DMG	SC	Visi Packed
630085205108	P-85KC-DMG-40	5010608550130	P85KC Deadlocking Nightlatch Case Only	40	DMG	n/a	Visi Packed
630085205174	P-85KC-BLX-40	5010608550147	P85KC Deadlocking Nightlatch Case Only	40	BLX	n/a	Visi Packed
630085001162	B-85-CH-CH-40	5010608992374	85 Deadlocking Nightlatch	40	CH	CH	Boxed
630085001542	B-85-BLX-PB-40	5010608908580	85 Deadlocking Nightlatch	40	BLX	PB	Boxed
630085001702	B-85-DMG-PB-40	5010609051728	85 Deadlocking Nightlatch	40	DMG	PB	Boxed
630085001709	B-85-DMG-SC-40	5010608908511	85 Deadlocking Nightlatch	40	DMG	SC	Boxed
B-85-DMG-40	B-85-DMG-40	5011802191372	85 Deadlocking Nightlatch Less Cylinder	40	DMG	n/a	Boxed
835116704108	PACK-20X85-DMG-40	5010608558679	85 Deadlocking Nightlatch Less Cylinder (Tradepack of 20)	40	DMG	n/a	Boxed
630085408702	BA-85RB-DMG-PB-40	5010609051742	85 Deadlocking Nightlatch (reverse bolt)	40	DMG	PB	Boxed

Item Code	Catalogue Code	Barcode	Description	Size	Lock Finish	Cylinder Finish	Packaging
P-89-SC-SC-60	P-89-SC-SC-60	5011802209794	P89 Deadlocking Nightlatch	60	SC	SC	Visi Packed
630089005162	P-89-CH-CH-60	5010608992404	P89 Deadlocking Nightlatch	60	CH	CH	Visi Packed
630089005542	P-89-BLX-PB-60	5010608808989	P89 Deadlocking Nightlatch	60	BLX	PB	Visi Packed
630089005702	P-89-DMG-PB-60	5010608808903	P89 Deadlocking Nightlatch	60	DMG	PB	Visi Packed
630089005709	P-89-DMG-SC-60	5010608808910	P89 Deadlocking Nightlatch	60	DMG	SC	Visi Packed
630089205108	P-89KC-DMG-60	5010608550154	P89KC Deadlocking Nightlatch Case Only	60	DMG	n/a	Visi Packed
630089001162	B-89-CH-CH-60	5010608992398	89 Deadlocking Nightlatch	60	CH	CH	Boxed
630089001542	B-89-BLX-PB-60	5010608908986	89 Deadlocking Nightlatch	60	BLX	PB	Boxed
630089001702	B-89-DMG-PB-60	5010608908900	89 Deadlocking Nightlatch	60	DMG	PB	Boxed
630089001709	B-89-DMG-SC-60	5010608908917	89 Deadlocking Nightlatch	60	DMG	SC	Boxed
B-89-DMG-60	B-89-DMG-60	5011802191396	89 Deadlocking Nightlatch Less Cylinder	60	DMG	n/a	Boxed
835116713108	PACK-20X89-DMG-60	5010608558693	89 Deadlocking Nightlatch Less Cylinder (Tradepack of 20)	60	DMG	n/a	Boxed

X9 Safety Handle Nightlatch

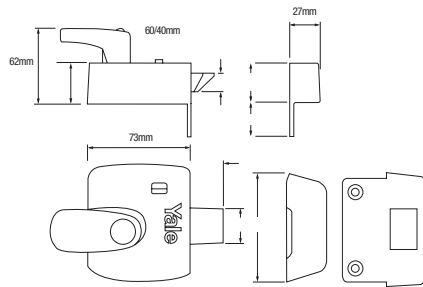


High Security Nightlatch with push and turn safety handle to prevent accidental opening.

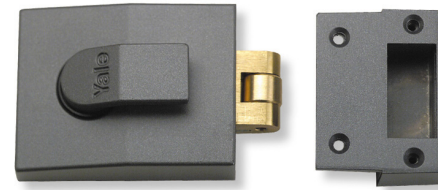
Features

- Ideal to use in a property with single-entry point
- Supplied with anti-bump 1109 rim cylinder
- Anti-bump
- Push and turn safety handle prevents the lock being opened accidentally
- Snib to deadlock or hold back the latch
- Snib indicator shows when the latch is deadlocked

Polished Chrome Brasslux



81 Roller Bolt Nightlatch



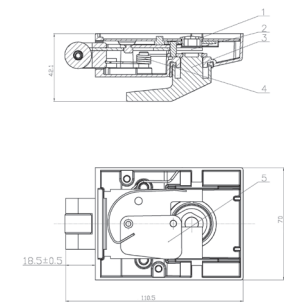
Roller Bolt Nightlatch with push/pull operation.

Features

- Ideal to use in a property with single-entry point
- Supplied with anti-bump 1109 rim cylinder
- Nightlatch with rollerbolt for push/pull action
- Prevents accidental lock out
- Ideal for flat and communal entrance doors
- Key operation from outside
- Turn handle operation from inside
- Anti-bump
- 2 keys supplied



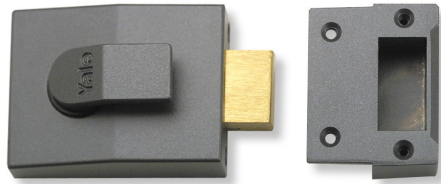
Dark Metallic Grey



Item Code	Catalogue Code	Barcode	Description	Size	Lock Finish	Cylinder Finish	Packaging
P-X9-CH-CH-40	P-X9-CH-CH-40	5010609037234	X9 Safety Handle Nightlatch	40	CH	CH	Visi Packed
P-X9-CH-CH-60	P-X9-CH-CH-60	5010609037241	X9 Safety Handle Nightlatch	60	CH	CH	Visi Packed
P-X9-BLX-PB-60	P-X9-BLX-PB-60	5010609037227	X9 Safety Handle Nightlatch	60	BLX	PB	Visi Packed

Item Code	Catalogue Code	Barcode	Description	Size	Lock Finish	Cylinder Finish	Packaging
630081001722	B-81-DMG-PB-60	5010608908108	81 Roller Bolt Nightlatch	40	DMG	PB	Boxed
630081001729	B-81-DMG-SC-60	5010608908115	81 Roller Bolt Nightlatch	60	DMG	SC	Boxed
B-81-DMG-60	B-81-DMG-60	5011802191358	81 Roller Bolt Nightlatch less cylinder	40	DMG	n/a	Boxed
835116701108	PACK-20X81-DMG-60	5010608558655	Trade pack of 20 x 81 DMG Latch Less Cylinders	60	DMG	n/a	Boxed

82 Deadbolt Nightlatch



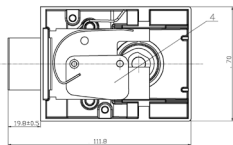
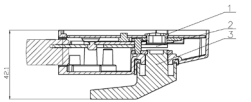
Deadbolt Nightlatch without latching action.

Features

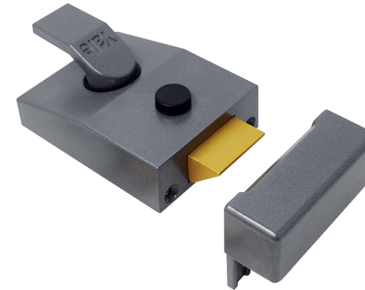
- Ideal to use in a property with single-entry point
- Supplied with anti-bump 1109 rim cylinder
- Deadbolt operation
- No intermediate latching action
- Key operation from outside
- Turn handle operation from inside
- Anti-bump
- 2 keys supplied



Dark Metallic Grey



91 Nightlatch



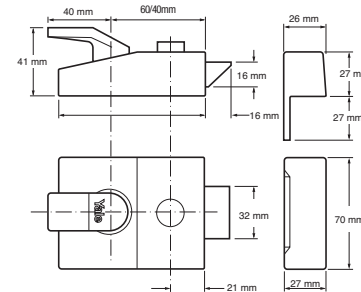
Nightlatch with internal snib button.

Features

- Ideal to use in a property with single-entry point
- Supplied with anti-bump 1109 rim cylinder
- Key operation from outside
- Turn handle operation from inside
- Anti-bump
- 2 keys supplied



Dark Metallic Grey



Item Code	Catalogue Code	Barcode	Description	Size	Lock Finish	Cylinder Finish	Packaging
630082001722	B-82-DMG-PB-60	5010608908207	82 Deadbolt Nightlatch	60	DMG	PB	Boxed
630082001729	B-82-DMG-SC-60	5010608554787	82 Deadbolt Nightlatch	60	DMG	SC	Boxed
835113804108	PACK-20X82-DMG-60	5010608558648	Tradepack of 20 x 82 DMG Latch Less Cylinders	60	DMG	n/a	Boxed

Item Code	Catalogue Code	Barcode	Description	Size	Lock Finish	Lock Finish	Packaging
630091001702	B-91-DMG-PB-60	5010608554855	91 Nightlatch	60	DMG	PB	Boxed
B-91-DMG-60	B-91-DMG-60	5011802191402	91 Nightlatch Less Cylinders	60	DMG	n/a	Boxed
835116717108	PACK-20X91-DMG-60	5010608558716	Tradepack of 20 x 91 DMG Latch Less Cylinders	60	DMG	n/a	Boxed

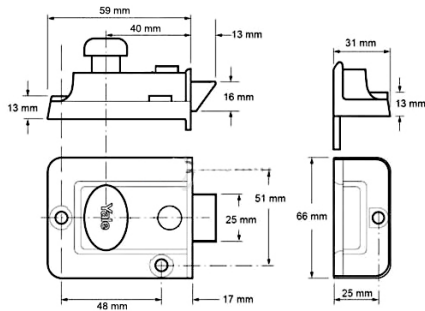
706 Traditional Nightlatch



The original Yale Lock.

Features

- Key operation from outside
- Supplied with anti-bump 1109 rim cylinder
- Turn handle operation from inside
- Anti-bump
- 2 keys supplied



Item Code	Catalogue Code	Barcode	Description	Size	Lock Finish	Cylinder Finish	Packaging
630099201242	B-99Z-BK-PB-60	5010608909907	99Z Traditional Nightlatch	40	BK	PB	Boxed
630706101322	B-706-ENB-PB-40	5010608970600	706 Traditional Nightlatch	60	ENB	PB	Boxed
B-706-CH-CH-40	B-706-CH-CH-40	5011802190030	706 Traditional Nightlatch	40	CH	CH	Boxed
630723101322	B-723-ENB-PB-40	5010608972307	723 Deadlatch	40	ENB	PB	Boxed
830099208242	BM-99Z-BL-PB-60	5010609055696	99Z Traditional Nightlatch	60	BL	PB	Boxed
835116812105	PACK-20X706-ENB-60	5010608558730	Trade-pack of 20 x 706 ENB Latch Less Cylinders	60	ENB	n/a	Boxed

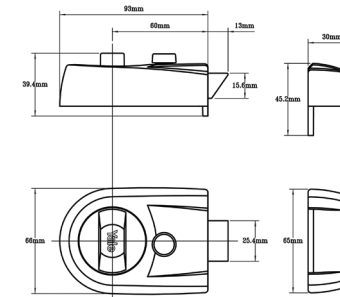
Y3 Contemporary Nightlatch



A contemporary alternative to the Original Yale 77 Nightlatch.

Features

- Ideal to use in a property with single-entry point
- Supplied with anti-bump 1109 rim cylinder
- Retro-fit replacement for traditional 77 Nightlatch - no additional chiselling required
- Snib to deadlock or hold back the latch



Item Code	Catalogue Code	Barcode	Description	Size	Lock Finish	Cylinder Finish	Packaging
P-Y3-BL-PB-60	P-Y3-BL-PB-60	5010609183818	Y3 Contemporary Nightlatch	60	BL	PB	Visi Packed
P-Y3-BLX-PB-60	P-Y3-BLX-PB-60	5010609183795	Y3 Contemporary Nightlatch	60	BLX	PB	Visi Packed
P-Y3-CH-CH-60	P-Y3-CH-CH-60	5010609183801	Y3 Contemporary Nightlatch	60	CH	CH	Visi Packed
P-Y3-SC-SC-60	P-Y3-SC-SC-60	5010609310818	Y3 Contemporary Nightlatch	60	SC	SC	Visi Packed
B-Y3-CH-CH-60	B-Y3-CH-CH-60	5010609286731	Y3 Contemporary Nightlatch	60	CH	CH	Boxed

	Item Code	Catalogue Code	Barcode	Description
Nightlatch Spares	833273308105	B-77LTABSP-TP	5010609019711	10 X LS77 Long Tab Strike Plate
	833273308108	B-88LTABSP-TP	5010608992824	10 X LS80 Long Tab Strike Plate
	833274305105	B-77REVSP-TP	5010609019728	10 X 77 Reverse Strike Plate
	833274305108	B-80REVSP-DMG-TP	5010608992831	10 X 80 Reverse Strike Plate
	833373110168	B-1109-CBAR-TP	5010608992947	40 x 1109 Connecting Bars

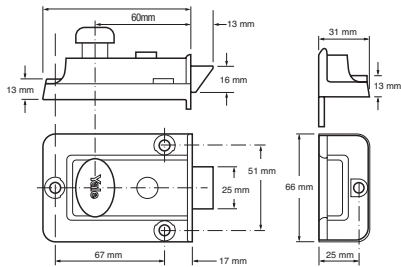
77 Traditional Nightlatch



The original Yale Lock.

Features

- Ideal to use in a property with single-entry point
- Supplied with anti-bump 1109 rim cylinder
- Key operation from outside
- Turn handle operation from inside
- Anti-bump
- 2 keys supplied



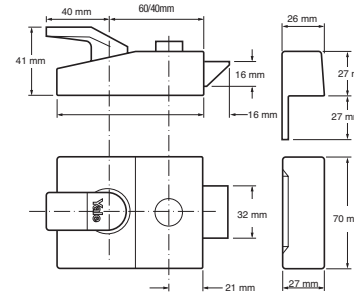
84 & 88 Standard Nightlatch



Nightlatch with internal snib button.

Features

- Ideal to use in a property with single-entry point
- Supplied with anti-bump 1109 rim cylinder
- Key operation from outside
- Turn handle operation from inside
- Anti-bump
- 2 keys supplied



Item Code	Catalogue Code	Barcode	Description	Size	Lock Finish	Lock Finish	Packaging
630077105162	P-77-CH-CH-60	5010608992367	P77 Traditional Nightlatch	60	CH	CH	Visi Packed
630077105322	P-77-ENB-PB-60	5010608007702	P77 Traditional Nightlatch	60	ENB	PB	Visi Packed
630077105542	P-77-BLX-PB-60	5010608007788	P77 Traditional Nightlatch	60	BLX	PB	Visi Packed
630077205105	P-77KC-ENB-60	5010608550116	P77KC Traditional Nightlatch Case Only	60	ENB	n/a	Visi Packed
630077101322	B-77-ENB-PB-60	5010608907705	77 Traditional Nightlatch	60	ENB	PB	Boxed
630077101329	B-77-ENB-SC-60	5010608907712	77 Traditional Nightlatch	60	ENB	SC	Boxed
630077101162	B-77-CH-CH-60	5010608992350	77 Traditional Nightlatch	60	CH	CH	Boxed
630077101542	B-77-BLX-PB-60	5010608907781	77 Traditional Nightlatch	60	BLX	PB	Boxed
B-77-ENB-60	B-77-ENB-60	5011802191341	77 Traditional Nightlatch Less Cylinder	60	ENB	n/a	Boxed
835116802105	PACK-20X77-ENB-60	5010609023152	77 Traditional Nightlatch Less Cylinder (Trade Pack of 20)	60	ENB	n/a	Boxed
630077508329	BA-77RB-ENB-SC-60	5010609051667	77 Traditional Nightlatch (reverse bolt)	60	ENB	SC	Boxed

Item Code	Catalogue Code	Barcode	Description	Size	Lock Finish	Cylinder Finish	Packaging
630084005702	P-84-DMG-PB-40	5010608808408	P84 Standard Nightlatch	40	DMG	PB	Visi Packed
630088005702	P-88-DMG-PB-60	5010608808804	P88 Standard Nightlatch	60	DMG	PB	Visi Packed
630084001702	B-84-DMG-PB-40	5010608908405	84 Standard Nightlatch	40	DMG	PB	Boxed
630084001709	B-84-DMG-SC-40	5010608908412	84 Standard Nightlatch	40	DMG	SC	Boxed
630088001702	B-88-DMG-PB-60	5010608908801	88 Standard Nightlatch	60	DMG	PB	Boxed
630088001709	B-88-DMG-SC-60	5010608908818	88 Standard Nightlatch	60	DMG	SC	Boxed
B-84-DMG-40	B-84-DMG-40	5011802191365	84 Standard Nightlatch Less Cylinder	40	DMG	n/a	Boxed
B-88-DMG-60	B-88-DMG-60	5011802191389	88 Standard Nightlatch Less Cylinder	60	DMG	n/a	Boxed
835116702108	PACK-20X84-DMG-40	5010608558662	84 Standard Nightlatch Less Cylinder (Trade Pack of 20)	40	DMG	n/a	Boxed
835116711108	PACK-20X88-DMG-60	5010608558686	88 Standard Nightlatch Less Cylinder (Trade Pack of 20)	60	DMG	n/a	Boxed

*60mm nightlatch will work in conjunction with Yale's Keyless Smart Lock for further information contact a Yale representative.

X5 1 Star Rim Cylinder



TS007 1 Star Replacement 6 Pin Rim Cylinder

Features

- Anti-bump, anti-pick, and anti-drill high security protection
- BSI Kitemark approved
- Secured by Design approved
- Compatible with any brands of nightlatch
- Suitable for wooden doors 38mm to 57mm in thickness
- Keys supplied
- Available in polished chrome and polished brass
- 10 year guarantee



1109 Rim Cylinder



Standard security replacement 5 Pin Rim Cylinder

Features

- Compatible with any brands of nightlatch
- Suitable for wooden doors 38mm to 57mm in thickness
- Keys supplied
- Available in polished chrome and polished brass
- 2 year guarantee



	High	Standard
Product Features	X5 Cylinder	1109 Cylinder
Key Blank	X-TECH-KEYBLANK	B-KEY-1109-100
Anti-Bump	✓	✓
Anti-Pick	✓	✗
Anti-Drill	✓	✗
BSI TS007 1 Star Kitemarked	✓	✗
Secured by Design Approved	✓	✗
Guarantee	10 Years	2 Years

	Catalogue Code	Barcode	Description	Finish	Packaging
1109	P-1109-PB	5010608110914	1109 Replacement Rim Cylinder 2 Keys	PB	Visi Packed
	P-1109-SC	5010608110921	1109 Replacement Rim Cylinder 2 Keys	SC	Visi Packed
	P-1109-CH	5010608110938	1109 Replacement Rim Cylinder 2 Keys	CH	Visi Packed
	P-4KP1109-PB	5010608550185	1109 Replacement Rim Cylinder 4 Keys	PB	Visi Packed
	P-4KP1109-CH	5010609030662	1109 Replacement Rim Cylinder 4 Keys	CH	Visi Packed
	P-6KP1109-PB	5010608550192	1109 Replacement Rim Cylinder 6 Keys	PB	Visi Packed
	P-6KP1109-CH	5010609030679	1109 Replacement Rim Cylinder 6 Keys	CH	Visi Packed
	B-1109-PB	5010608910910	1109 Replacement Rim Cylinder 2 Keys	PB	Boxed
	B-1109-SC	5010608910927	1109 Replacement Rim Cylinder 2 Keys	SC	Boxed
	B-1109-CH	5010608910934	1109 Replacement Rim Cylinder 2 Keys	CH	Boxed

	Catalogue Code	Barcode	Description	Finish	Packaging
X5	P-X52KP-CH	5010609032826	X5 Kitemarked Replacement Rim Cylinder 2 Keys	CH	Visi Pack
	P-X52KP-PB	5010609032833	X5 Kitemarked Replacement Rim Cylinder 2 Keys	PB	Visi Pack
	P-X54KP-CH	5010609032840	X5 Kitemarked Replacement Rim Cylinder 4 keys	CH	Visi Pack
	P-X54KP-PB	5010609032857	X5 Kitemarked Replacement Rim Cylinder 4 keys	PB	Visi Pack
	B-X5-CH	5010609032697	X5 Kitemarked 1 Star Replacement Rim Cylinder 2 Keys	CH	Boxed
	B-X5-PB	5010609032703	X5 Kitemarked 1 Star Replacement Rim Cylinder 2 Keys	PB	Boxed

	Item Code	Catalogue Code	Barcode	Description
Masterkey	831109008025	BM-1109-PB	5010609055764	1109 Master Keyed Cylinder
	831109008161	BM-1109-SC	5010609055771	1109 Master Keyed Cylinder
	831109008162	BM-1109-CH	5010609055788	1109 Master Keyed Cylinder
	831109098025	BMV-1109-PB	5010609055818	1109 Master Keyed Cylinder "VAUN"
	831109098161	BMV-1109-SC	5010609055825	1109 Master Keyed Cylinder "VAUN"
	831109009025	BM-HSB1109-PB	5010609055795	1109 "HSB" Master Keyed Cylinder
	831109009161	BM-HSB1109-SC	5010609055801	1109 "HSB" Master Keyed Cylinder

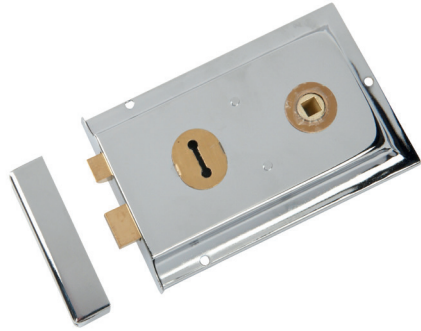
Yale Key Blanks



Key Blank	B-Key-1109-100	X-Tech-Keyblank	KB01HS-YL1-43	YS3-KB-43	YL-CYL-KBA	YL-CYL-KBB	YL-CYL-KB1A	YL-CYL-KB3A
Patented	X	X	X	X	✓	✓	✓	✓
Sawn or dimple key	Sawn	Sawn	Dimple	Dimple	Sawn	Sawn	Dimple	Dimple
Material	Brass	Steel	Brass	Brass	Steel	Brass	Brass	Brass
Packaging	Box of 100 Keys	Single	Single	Single	Box of 100 Keys	Box of 100 Keys	Box of 100 Keys	Box of 100 Keys

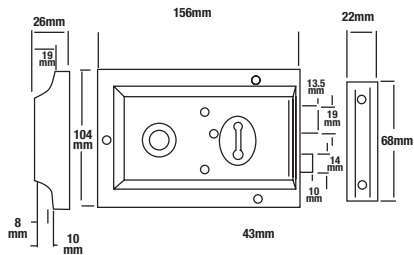
Applicable Cylinder Platforms								
Standard 6-pin					✓			
KM 1 Star					✓			
Superior 1 Star			✓				✓	
Platinum 3 Sar				✓				✓
Standard 1109 rim	✓					✓		
X5 1 Star rim		✓			✓			

Rim Sashlock

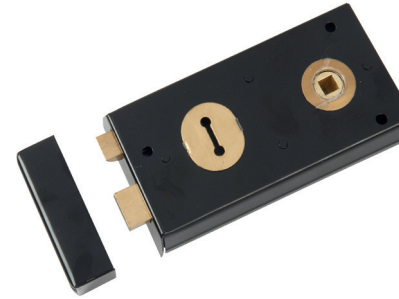


Features

- For use in internal doors, sheds and gates
- Operation by key and knobs from either side of the door
- One turn of the key deadlocks the bolt
- Suitable for both left and right handed doors
- For use with rim knobs
- 2 keys supplied
- Product dimensions: 156mm x 104mm

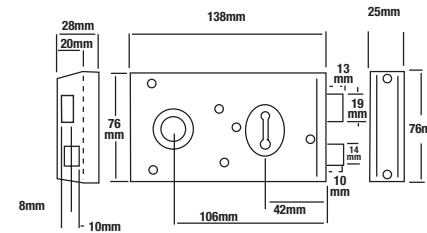


Rim Sashlock



Features

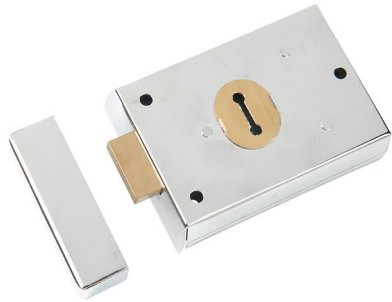
- Narrow case design
- For use in internal doors, sheds and gates
- Operation by key and knobs from either side of the door
- One turn of the key deadlocks the bolt
- Suitable for both left and right handed doors
- For use with rim knobs
- 2 keys supplied
- Product dimensions: 138mm x 76mm



Item Code	Catalogue Code	Barcode	Description	Finish	Packaging
060334305077	P-334-GRY	5010608033404	P334 Rim Sashlock	GRY	Visi Packed
060334305078	P-334-BL	5010609069709	P334 Rim Sashlock	BK	Visi Packed
060334305162	P-334-CH	5010609037906	P334 Rim Sashlock	CH	Visi Packed
060334305166	P-334-PB	5010608033411	P334 Rim Sashlock	PB	Visi Packed

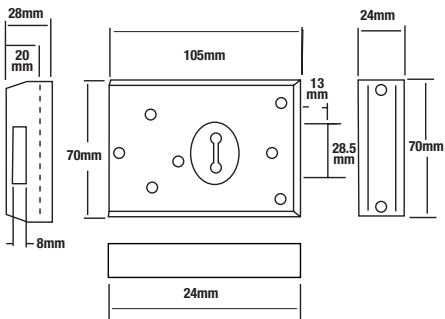
Item Code	Catalogue Code	Barcode	Description	Finish	Packaging
060401305025	P-401-PB	5010609030587	P401 Rim Sashlock	PB	Visi Packed
060401305077	P-401-GRY	5010608040105	P401 Rim Sashlock	GRY	Visi Packed
060401305078	P-401-BK	5010609069716	P401 Rim Sashlock	BK	Visi Packed

Rim Deadlock



Features

- For use in internal doors, sheds and gates
- Operations by keys from either side of the door
- Operation by key
- One turn of the key deadlocks the bolt
- Suitable for both left and right handed doors
- 2 keys supplied
- Product dimensions: 105mm x 70mm
- Narrow case design



Rim Knob



Specifications

- For use with Yale P401 and P334 rim sashlocks



Item Code	Catalogue Code	Barcode	Description	Finish	Packaging
060402305077	P-402-GRY	5010609031621	P402 Rim Deadlock	GRY	Visi Packed
060402305162	P-402-CH	5010609069693	P402 Rim Deadlock	CH	Visi Packed
P-402-BK	P-402-BK	5010609084863	P402 Rim Deadlock	BK	Visi Packed

Item Code	Catalogue Code	Barcode	Description	Finish	Packaging
P405-BL	P-405-BL	5010609070255	Rim Knob	BK	Visi Packed
P405-CH	P-405-CH	5010609070262	Rim Knob	CH	Visi Packed
P405-PB	P-405-PB	5010609070248	Rim Knob	PB	Visi Packed

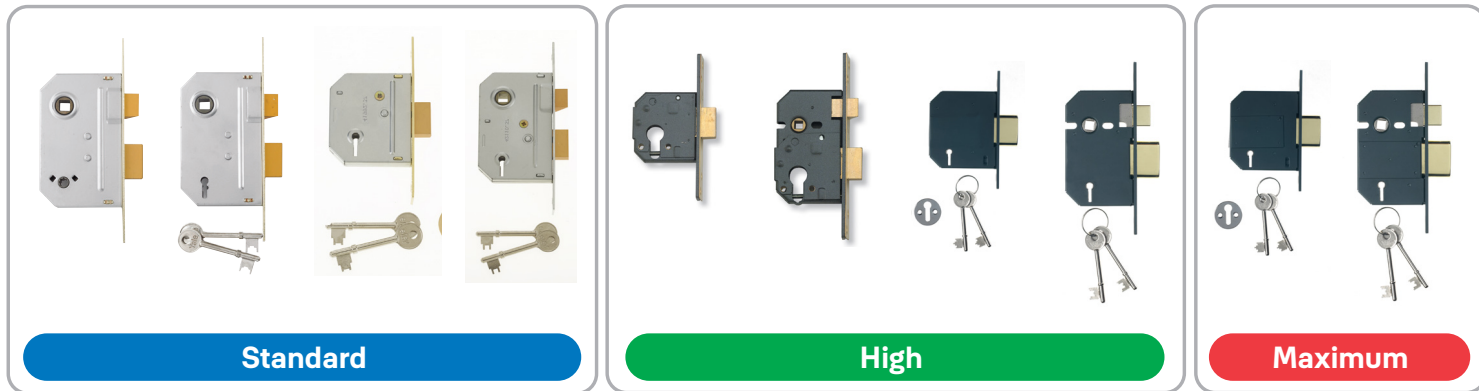


Mortice Locks

Yale offer a comprehensive range of mortice locks for timber doors, including British Standard 5 lever locks which offer the maximum level of security for external timber doors. Mortice locks are installed inside the door and are available in a range of sizes, security levels and functions. Consider your requirements before making your purchase.

Product Range Overview

Yale has a comprehensive range of mortice locks suitable for all applications and security needs.



	PM236 BATHROOM SASHLOCK	PM246 2 LEVER SASHLOCK	PM322 3 LEVER DEADLOCK	PM320 3 LEVER SASHLOCK	3120 CYLINDER DEADLOCK	3100 CYLINDER SASHLOCK	PM552 5 LEVER DEADLOCK	PM550 5 LEVER SASHLOCK	PM562/BSDL BS 5 LEVER DEADLOCK	PM560/BSSL BS 5 LEVER SASHLOCK
Number of levers	2	2	3	3	N/A	N/A	5	5	5	5
For use with handles	✓	✓	✗	✓	✗	✓	✗	✓	✗	✓
Anti-saw deadbolt	✗	✗	✗	✗	✗	✗	✓	✓	✓	✓
Anti-drill lock case	✗	✗	✗	✗	✓	✓	✗	✗	✓	✓
Kitemarked to BS3621:2007	✗	✗	✗	✗	✗	✗	✗	✗	✓	✓
Secured by Design Approved	✗	✗	✗	✗	✗	✗	✗	✗	✓	✓
Guarantee (Years)	2	2	2	2	2	2	2	2	10	10

BS 3621:2007 5 Lever Sashlock



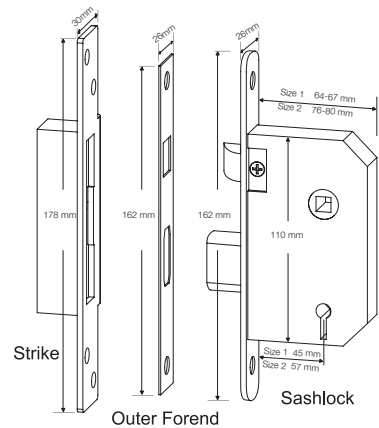
British Standard Sashlocks are insurance approved, and offer the maximum level of security for external wooden doors with handles.

Specifications

- Kitemarked to BS 3621:2007
- Secured by Design approved
- 5 lever security
- CE marked
- Anti-saw deadbolt
- Anti-drill lock case

Features

- Recommended by insurance companies and the police
- For use with door handles
- Deadbolt locked and unlocked by key from either side
- Latchbolt withdrawn by lever handle from either side
- Pierced to accept bolt through furniture
- Available in 67mm (2.5") and 80mm (3") backset
- Available in polished brass or polished chrome finish
- Easy to reverse latch bolt



BS 3621:2007 5 Lever Deadlock



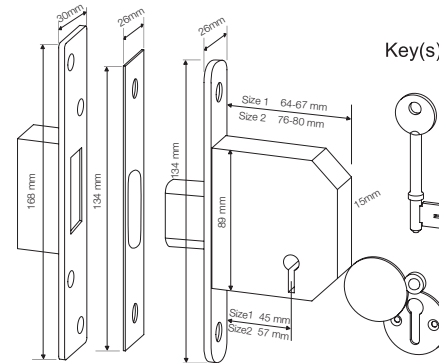
British Standard Deadlocks are insurance approved, and offer the maximum level of security for external wooden doors.

Specifications

- Kitemarked to BS 3621:2007
- Secured by Design approved
- 5 lever security
- CE marked
- Anti-saw deadbolt
- Anti-drill lock case

Features

- Recommended by insurance companies and the police
- Deadbolt locked and unlocked by key from either side
- Available in 67mm (2.5") and 80mm (3") backset
- Available in polished brass or polished chrome finish



Item Code	Catalogue Code	Barcode	Description	Case Size (mm)	Finish	Packaging
655600105025	P-M560-PB-67	5010608056052	PM560 BS3621:2007 Sashlock 2.5"	64	PB	Visi Packed
655600105162	P-M560-CH-67	5010609030365	PM560 BS3621:2007 Sashlock 2.5"	64	CH	Visi Packed
655600205025	P-M560-PB-80	5010608056069	PM560 BS3621:2007 Sashlock 3"	76	PB	Visi Packed
655600205162	P-M560-CH-80	5010609030372	PM560 BS3621:2007 Sashlock 3"	76	CH	Visi Packed
B-BSSL-2.5-PB	B-BSSL-2.5-PB	5010609286571	M560 BS3621:2007 Sashlock 2.5"	64	PB	Boxed
B-BSSL-2.5-CH	B-BSSL-2.5-CH	5010609286595	M560 BS3621:2007 Sashlock 2.5"	64	CH	Boxed
B-BSSL-3.0-PB	B-BSSL-3.0-PB	5010609286588	M560 BS3621:2007 Sashlock 3"	76	PB	Boxed
B-BSSL-3.0-CH	B-BSSL-3.0-CH	5010609286601	M560 BS3621:2007 Sashlock 3"	76	CH	Boxed

Item Code	Catalogue Code	Barcode	Description	Case Size (mm)	Finish	Packaging
655620105025	B-BSDL-2.5-PB	5010608056250	PM562 BS3621:2007 Deadlock 2.5"	64	PB	Visi Packed
655620105162	B-BSDL-2.5-CH	5010609030389	PM562 BS3621:2007 Deadlock 2.5"	64	CH	Visi Packed
655620205025	B-BSDL-3.0-PB	5010608056267	PM562 BS3621:2007 Deadlock 3"	76	PB	Visi Packed
655620205162	B-BSDL-3.0-CH	5010609030396	PM562 BS3621:2007 Deadlock 3"	76	CH	Visi Packed
B-BSDL-2.5-PB	B-BSDL-2.5-PB	5010609286618	M562 BS3621:2007 Deadlock 2.5"	64	PB	Boxed
B-BSDL-2.5-CH	B-BSDL-2.5-CH	5010609286557	M562 BS3621:2007 Deadlock 2.5"	64	CH	Boxed
B-BSDL-3.0-PB	B-BSDL-3.0-PB	5010609286540	M562 BS3621:2007 Deadlock 3"	76	PB	Boxed
B-BSDL-3.0-CH	B-BSDL-3.0-CH	5010609286564	M562 BS3621:2007 Deadlock 3"	76	CH	Boxed

5 Lever Sashlock



5 Lever Sashlock offers a high level of security, and are suitable for use on external wooden doors with handles when used with a maximum security British Standard nightlatch.

Specifications

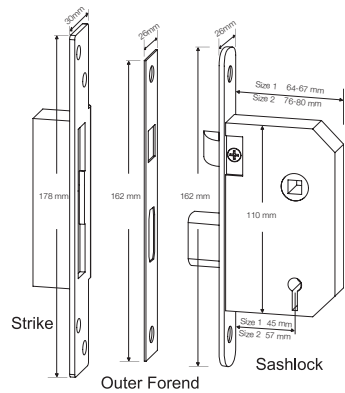
- 5 lever security
- Anti-saw deadbolt

Features

- Suitable for use on external wooden doors when used in conjunction with a maximum security nightlatch
- For use with door handles
- Deadbolt locked and unlocked by key from either side
- Latchbolt withdrawn by lever handle from either side
- Pierced to accept bolt through furniture
- Available in 67mm (2.5") and 80mm (3") backset
- Available in polished brass or polished chrome finish
- Easy to reverse latch bolt



Polished Chrome Polished Brass



5 Lever Deadlock



5 Lever Deadlock offers a high level of security, and are suitable for use on external wooden doors with handles when used with a maximum security British Standard nightlatch.

Specifications

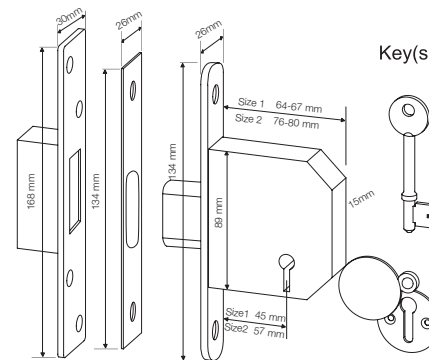
- 5 lever security
- Anti-saw deadbolt

Features

- Suitable for use on external wooden doors when used in conjunction with a maximum security nightlatch
- Deadbolt locked and unlocked by key from either side
- Available in 67mm (2.5") and 80mm (3") backset
- Available in polished brass or polished chrome finish

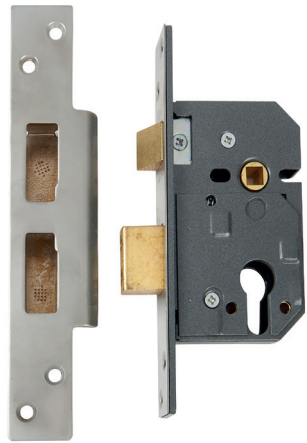


Polished Chrome Polished Brass



Item Code	Catalogue Code	Barcode	Description	Case Size (mm)	Finish	Packaging
655600105025	P-M550-PB-65	5010608055055	PM550 5 Lever Sashlock 2.5"	67	PB	Visi Packed
655600105162	P-M550-CH-65	5010609030402	PM550 5 Lever Sashlock 2.5"	67	CH	Visi Packed
655600205025	P-M550-PB-78	5010608055062	PM550 5 Lever Sashlock 3"	80	PB	Visi Packed
655600205162	P-M550-CH-78	5010609030419	PM550 5 Lever Sashlock 3"	80	CH	Visi Packed
B-M550-PB-65	B-M550-PB-65	5010609286663	M550 5 Lever Sashlock 2.5"	67	PB	Boxed
B-M550-CH-65	B-M550-CH-65	5010609286687	M550 5 Lever Sashlock 2.5"	67	CH	Boxed
B-M550-PB-78	B-M550-PB-78	5010609286670	M550 5 Lever Sashlock 3"	80	PB	Boxed
B-M550-CH-78	B-M550-CH-78	5010609286694	M550 5 Lever Sashlock 3"	80	CH	Boxed

Item Code	Catalogue Code	Barcode	Description	Case Size (mm)	Finish	Packaging
650552105025	P-M552-PB-65	5010608055253	PM552 5 Lever Deadlock 2.5"	67	PB	Visi Packed
650552105162	P-M552-CH-65	5010609030426	PM552 5 Lever Deadlock 2.5"	67	CH	Visi Packed
650552205025	P-M552-PB-78	5010608055260	PM552 5 Lever Deadlock 3"	80	PB	Visi Packed
650552205162	P-M552-CH-78	5010609030433	PM552 5 Lever Deadlock 3"	80	CH	Visi Packed
B-M552-PB-65	B-M552-PB-65	5010609286625	M552 5 Lever Deadlock 2.5"	67	PB	Boxed
B-M552-CH-65	B-M552-CH-65	5010609286649	M552 5 Lever Deadlock 2.5"	67	CH	Boxed
B-M552-PB-78	B-M552-PB-78	5010609286632	M552 5 Lever Deadlock 3"	80	PB	Boxed
B-M552-CH-78	B-M552-CH-78	5010609286656	M552 5 Lever Deadlock 3"	80	CH	Boxed



High Security Cylinder Sashlock Case



High Security Cylinder Sashlock case offer a high level of security to be used with a Euro Cylinder.

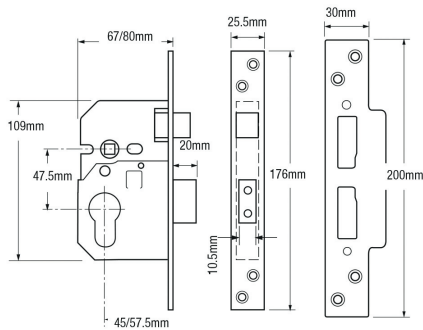
Specifications

- Anti-drill lock case

Features

- For use with door handles
- This heavy duty mortice sashlock case accommodates most Euro Profile Cylinders
- Deadbolt locked or unlocked by cylinder key or cylinder turn
- Latchbolt withdrawn by lever handle
- Pierced to accept bolt through furniture
- Available in 67mm (2.5") and 80mm (3") backset
- Available in polished brass or polished chrome finish

Polished Chrome Polished Brass



High Security Cylinder Deadlock Case



High Security Cylinder Deadlock case offer a high level of security to be used with a Euro Cylinder, and are suitable for use on external wooden doors when used with a maximum security British Standard Nightlatch.

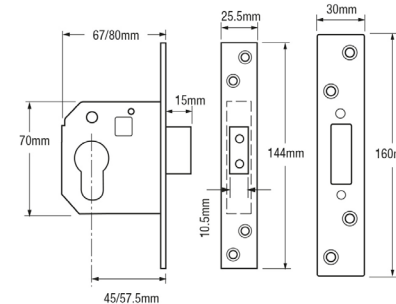
Specifications

- Anti-drill lock case

Features

- This heavy duty mortice deadlock case accommodates most Euro Profile Cylinders
- Deadbolt locked or unlocked by cylinder key or cylinder turn
- Available in 67mm (2.5") and 80mm (3") backset
- Available in polished brass or polished chrome finish

Polished Chrome Polished Brass



Item Code	Catalogue Code	Barcode	Description	Size	Finish	Packaging
643100101025	B-3100-PB-64	5010608310017	3100 High Security Sashcase 2.5"	67	PB	Boxed
643100101032	B-3100-SSS-64	5010608310031	3100 High Security Sashcase 2.5"	67	SS	Boxed
643100201025	B-3100-PB-76	5010608310024	3100 High Security Sashcase 3"	80	PB	Boxed
643100201032	B-3100-SSS-76	5010608310048	3100 High Security Sashcase 3"	80	SS	Boxed

Item Code	Catalogue Code	Barcode	Description	Size	Finish	Packaging
643120101025	B-3120-PB-64	5010608312011	3120 High Security Deadcase 2.5"	67	PB	Boxed
643120101032	B-3120-SSS-64	5010608312035	3120 High Security Deadcase 2.5"	67	SS	Boxed
643120201025	B-3120-PB-76	5010608312028	3120 High Security Deadcase 3"	80	PB	Boxed
643120201032	B-3120-SSS-76	5010608312042	3120 High Security Deadcase 3"	80	SS	Boxed

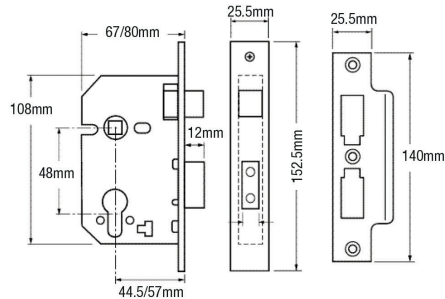
Cylinder Sashlock Case



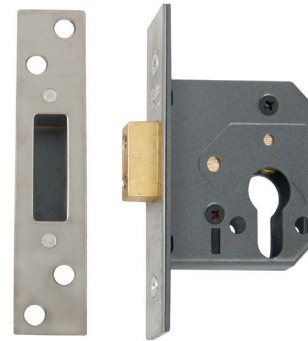
Cylinder Sashlock case offer a standard level of security to be used with a Euro Cylinder, and are suitable for use on external wooden doors with handles.

Features

- For use with door handles
- Deadbolt locked or unlocked by cylinder key or cylinder turn
- Latchbolt withdrawn by lever handle
- Pierced to accept bolt through furniture
- Available in 67mm (2.5") and 80mm (3") backset
- Available in polished brass or polished chrome finish



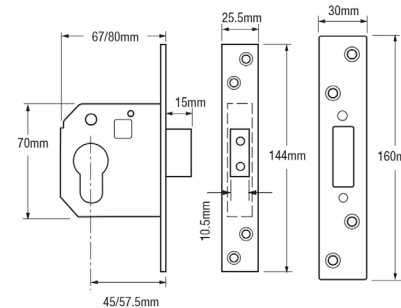
Cylinder Deadlock Case



Cylinder Deadlock case offer a standard level of security to be used with a Euro Cylinder, and are suitable for use on external wooden doors.

Features

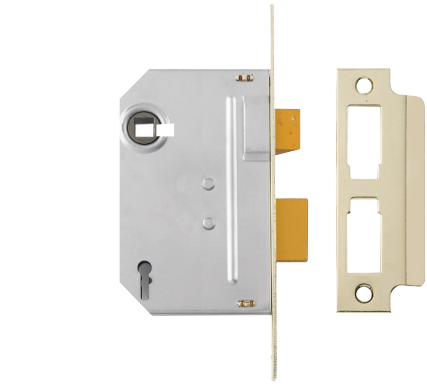
- For use with door handles
- Deadbolt locked or unlocked by cylinder key or cylinder turn
- Available in 67mm (2.5") and 80mm (3") backset
- Available in polished brass or polished chrome finish



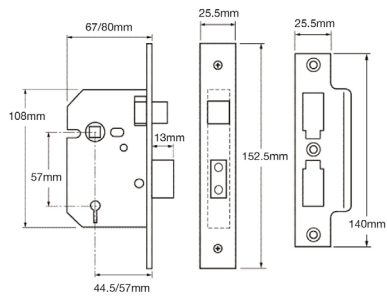
Item Code	Catalogue Code	Barcode	Description	Size	Finish	Packaging
643200101025	B-3200-PB-64	5010608320016	3200 Security Sashcase 2.5"	67	PB	Boxed
643200101032	B-3200-SSS-64	5010608320030	3200 Security Sashcase 2.5"	67	SS	Boxed
643200201025	B-3200-PB-76	5010608320023	3200 Security Sashcase 3"	80	PB	Boxed
643200201032	B-3200-SSS-76	5010608320047	3200 Security Sashcase 3"	80	SS	Boxed

Item Code	Catalogue Code	Barcode	Description	Size	Finish	Packaging
643220101025	B-3220-PB-64	5010608322010	3220 Security Deadcase 2.5"	67	PB	Boxed
643220101032	B-3220-SSS-64	5010608322034	3220 Security Deadcase 2.5"	67	SS	Boxed
643220201025	B-3220-PB-76	5010608322027	3220 Security Deadcase 3"	80	PB	Boxed
643220201032	B-3220-SSS-76	5010608322041	3220 Security Deadcase 3"	80	SS	Boxed

3 Lever Sashlock



Polished Chrome Polished Brass



3 Lever Mortice Sashlock offers a standard level of security, and are suitable for use on internal wooden doors with handles.

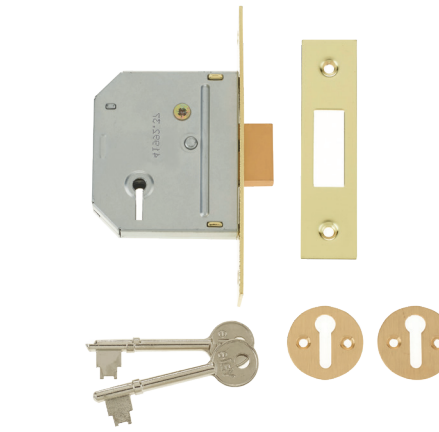
Specifications

- 3 lever security

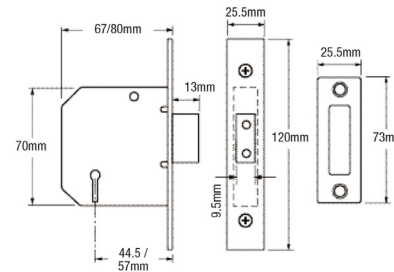
Features

- Suitable for use on internal wooden doors
- For use with door handles
- Deadbolt locked and unlocked by key from either side
- Latchbolt withdrawn by lever handle from either side
- Available in 67mm (2.5") and 80mm (3") backset
- Available in polished brass or polished chrome finish

3 Lever Deadlock



Polished Chrome Polished Brass



3 Lever Mortice Deadlock offers a standard level of security, and are suitable for use on internal wooden doors.

Specifications

- 3 lever security

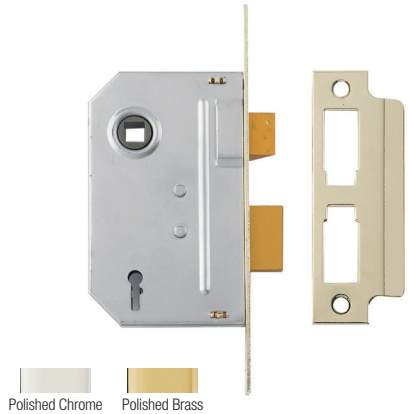
Features

- Suitable for use on internal wooden doors
- Deadbolt locked and unlocked by key from either side
- Available in 67mm (2.5") and 80mm (3") backset
- Available in polished brass or polished chrome finish

Item Code	Catalogue Code	Barcode	Description	Size	Finish	Packaging
650320105025	P-M320-PB-65	5010608032056	PM320 3 Lever Sashlock 2.5"	67	PB	Visi Packed
650320105162	P-M320-CH-65	5010609099270	PM320 3 Lever Sashlock 2.5"	67	CH	Visi Packed
650320205025	P-M320-PB-78	5010608032063	PM320 3 Lever Sashlock 3"	80	PB	Visi Packed
650320205162	P-M320-CH-78	5010609099287	PM320 3 Lever Sashlock 3"	80	CH	Visi Packed

Item Code	Catalogue Code	Barcode	Description	Size	Finish	Packaging
650322105025	P-M322-PB-65	5010608032254	PM322 3 Lever Deadlock 2.5"	67	PB	Visi Packed
650322105162	P-M322-CH-65	5010609099294	PM322 3 Lever Deadlock 2.5"	67	CH	Visi Packed
650322205025	P-M322-PB-78	5010608032261	PM322 3 Lever Deadlock 3"	80	PB	Visi Packed

2 Lever Sashlock



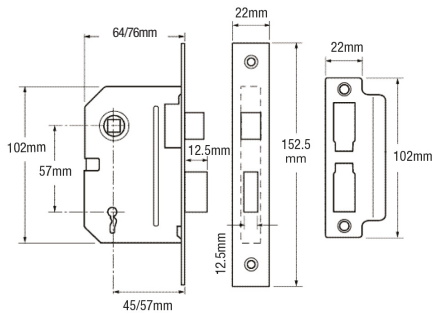
2 Lever Mortice Sashlock offers a basic level of security, and are suitable for use on internal wooden doors with handles.

Specifications

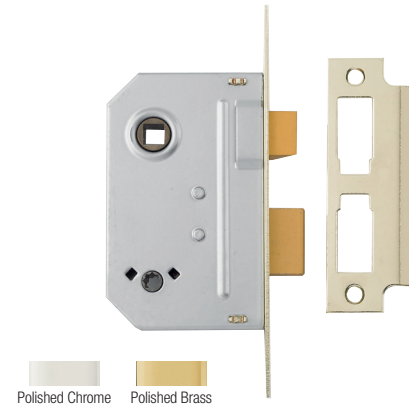
- 2 lever security

Features

- Suitable for use on internal wooden doors
- For use with door handles
- Deadbolt locked and unlocked by key from either side
- Latchbolt withdrawn by lever handle from either side
- Available in 64mm (2.5") and 76mm (3") backset
- Available in polished brass or polished chrome finish



Bathroom Sashlock

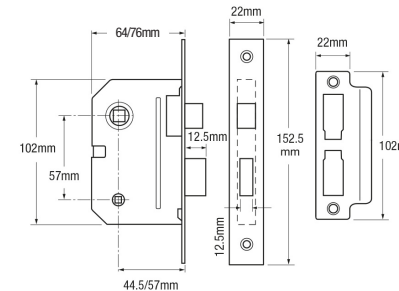


Specifications

- 2 lever security

Features

- Suitable for use on bathroom doors or other internal doors where privacy is required
- Latchbolt withdrawn by lever handle from either side
- Deadbolt locked and unlocked by separate turn from inside
- Deadbolt can also be unlocked by emergency release from outside
- Not suitable for use with unsprung lever handles
- Available in 64mm (2.5") backset
- Available in polished brass or polished chrome finish



Item Code	Catalogue Code	Barcode	Description	Case Size (mm)	Finish	Packaging
650246085162	P-M246-CH-63	5010608024655	PM246 2 Lever Sashlock 2.5"	64	CH	Visi Packed
650246085166	P-M246-PB-63	5010608024679	PM246 2 Lever Sashlock 2.5"	64	PB	Visi Packed
650246285162	P-M246-CH-76	5010608024662	PM246 2 Lever Sashlock 3"	76	CH	Visi Packed
650246285166	P-M246-PB-76	5010608024686	PM246 2 Lever Sashlock 3"	76	PB	Visi Packed

Item Code	Catalogue Code	Barcode	Description	Case Size (mm)	Finish	Packaging
650236005162	P-M236-CH-63	5010609030761	PM236 Bathroom Sashlock 2.5"	64	CH	Visi Packed
650236005166	P-M236-PB-63	5010609030747	PM236 Bathroom Sashlock 2.5"	64	PB	Visi Packed

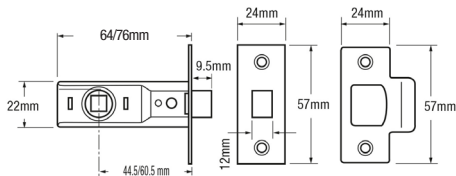
Tubular Mortice Latch



Tubular Mortice Latches are for use on internal wooden doors with handles where no locking is required.

Features

- Suitable for internal doors where no locking is required
- Latchbolt withdrawn by sprung lever handle from either side
- Not suitable for unsprung lever handles
- Available in 64mm (2.5") and 76mm (3") backset
- Available in polished brass or polished chrome finish



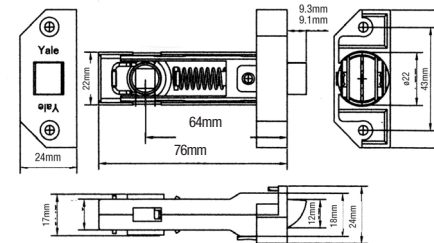
Rebated Mortice Latch



Rebated Mortice Latches are for use on internal double doors with handles where no locking is required.

Features

- Designed for use on double doors
- Latchbolt withdrawn by sprung lever handle from either side
- Not suitable for unsprung lever handles
- Available in 64mm (2.5") and 76mm (3") backset
- Available in polished brass finish



Item Code	Catalogue Code	Barcode	Description	Case Size (mm)	Finish	Packaging
250888005025	P-M888-PB-64	5010608188852	PM888 Tubular Mortice Latch 2.5"	64	PB	Visi Packed
250888005168	P-M888-BZ-64	5010608088855	PM888 Tubular Mortice Latch 2.5"	64	CH	Visi Packed
250888205025	P-M888-PB-76	5010608188869	PM888 Tubular Mortice Latch 3"	76	PB	Visi Packed
250888205168	P-M888-BZ-76	5010608088862	PM888 Tubular Mortice Latch 3"	76	CH	Visi Packed
253888015025	P-M888-PB-64-3	5010608550062	PM888 Tubular Mortice Latch 2.5" (Pack of 3)	64	PB	Visi Packed
253888015168	P-M888-BZ-64-3	5010608550055	PM888 Tubular Mortice Latch 2.5" (Pack of 3)	64	CH	Visi Packed

Item Code	Catalogue Code	Barcode	Description	Case Size (mm)	Finish	Packaging
P-M999-PB-64	P-M999-PB-64	5010609100532	PM999 Rebated Mortice Latch 2.5"	64	PB	Visi Packed
P-M999-PB-76	P-M999-PB-76	5010609100525	PM999 Rebated Mortice Latch 3"	76	PB	Visi Packed

PVCu Handles Range

The complete range of PVCu door replacement products has been designed with the replacement market in mind, with flexibility built into the design for maximum compatibility, without compromising on performance and quality.

- Maximum compatibility with minimum number of SKUs
- Full range of security levels
- Premium quality and performance
- Solutions to suit a wide range of budgets and requirements
- Ultimate peace of mind with British Kitemark & Secured by Design approved products

TS007 2 Star Platinum
Security Handle

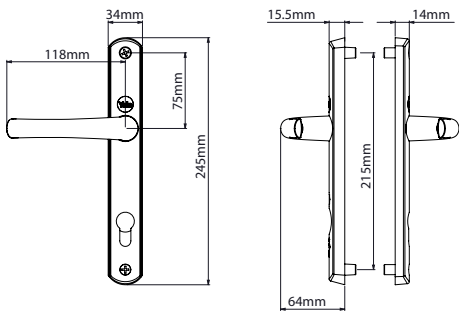
Yale PVCu Handles Range

	Security Level	TS007 2 Star	Secured By Design	Cycle Tested	Corrosion Tested	Lock Centres	Fixing Centres	Guarantee
TS007 2*	Maximum	✓	✓	200,000	480hrs	92mm	215mm	10 Years
MK3	High	✗	✗	200,000	480hrs	92mm	215mm	2 Years
Universal Handles	Standard	✗	✗	200,000	480hrs	92mm	Adjustable	2 Years
Long Backplate	Standard	✗	✗	200,000	480hrs	92mm	215mm	2 Years
Short Backplate	Standard	✗	✗	200,000	480hrs	92mm	122mm	2 Years



Universal Replacement Door Handle

Yale PVCu Handles Range



TS007 2 Star Platinum Security Handle 92/215mm



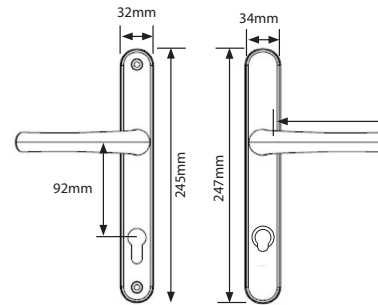
The Yale TS007 2 Star Security Handle provides the best level of security available for protective door furniture.

Specifications

- Use in conjunction with a TS007 1 Star rated Cylinder to offer the maximum 3 Star level of security
- Accredited with BS EN 1906:2010 Grade 4 category of use (Tested in excess to 200,000 cycles, 480 hours neutral salt spray exposure)

Features

- Built in Cylinder guard protects against Cylinder attacks
- 316 stainless steel external handle for marine grade corrosion resistance
- M6 stainless steel fixing bolts for improved strength and security
- Supplied with fixings for PVCu and composite doors



MK3 Security Handle 92/215mm



The Yale MK3 Door Handle offers a high level of security for PVCu doors.

Specifications

- 92mm lock centre
- 215mm fixing centres
- Backplate measures 245mm H x 32mm W x 14mm D
- Durability tested to 200,000 cycles
- Corrosion resistant tested to 480 hours
- Supplied with spring cassettes, fixing screws and spindle

Features

- Cylinder guard protects against Cylinder attacks
- Solid machined backplate for additional strength
- M6 stainless steel fixing bolts for improved strength and security
- Smooth and durable sprung lever action

Item Code	Barcode	Description	Finish	Lock Centre	Fixing Centre	Packaging
Y2G-HSLL-PC	5010609311433	Platinum TS007 2* Handle	PC	92mm	215mm	Polybagged
Y2G-HSLL-PG	5010609311440	Platinum TS007 2* Handle	PG	92mm	215mm	Polybagged
P-Y2G-HSLL-PC	5011802191556	Platinum TS007 2* Handle	PC	92mm	215mm	Visi packed
P-Y2G-HSLL-PG	5011802191563	Platinum TS007 2* Handle	PG	92mm	215mm	Visi packed

Item Code	Barcode	Description	Finish	Lock Centre	Fixing Centre	Packaging
YSHMK3LL-WH	5010609292350	MK3 Security Handle	WH	92mm	215mm	Polybagged
YSHMK3LL-PC	5010609292404	MK3 Security Handle	PC	92mm	215mm	Polybagged
P-YSHMK3LL-WH	5010609310078	MK3 Security Handle	WH	92mm	215mm	Visi packed
P-YSHMK3LL-PC	5010609310092	MK3 Security Handle	PC	92mm	215mm	Visi packed

Yale PVCu Handles Range



Universal Replacement Door Handle 92mm



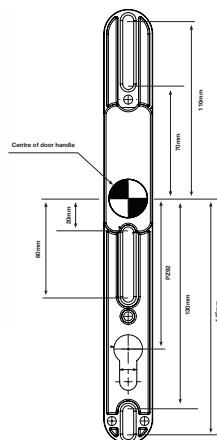
The Yale Universal Door Handle features a unique and innovative design, with adjustable fixing points that cater for the majority of multipoint locks with 92mm centre.

Specifications

- 92mm lock centre
- Adjustable fixing points
- Backplate measures 270mm H x 34mm W x 14mm D
- Durability tested to 200,000 cycles
- Corrosion resistant tested to 480 hours
- Spindles and fixing screws provided to fit different door widths

Features

- Adjustable fixing points for maximum retro-fit compatibility
- Easy to fit



Adjustable Handle Sizing Diagram.

Item Code	Barcode	Description	Finish	Lock Centre	Fixing Centre	Packaging
PVC-RH-WH	5011802171169	Universal Door Handle	WH	92mm	Adjustable	Polybagged
PVC-RH-PGF	5011802171145	Universal Door Handle	PGF	92mm	Adjustable	Polybagged
PVC-RH-PC	5011802171152	Universal Door Handle	PC	92mm	Adjustable	Polybagged
P-PVC-RH-WH	5010609183948	Universal Door Handle	WH	92mm	Adjustable	Visi packed
P-PVC-RH-PGF	5010609183924	Universal Door Handle	PGF	92mm	Adjustable	Visi packed
P-PVC-RH-PC	5010609183931	Universal Door Handle	PC	92mm	Adjustable	Visi packed



Superior Long Backplate Handle 92/215mm

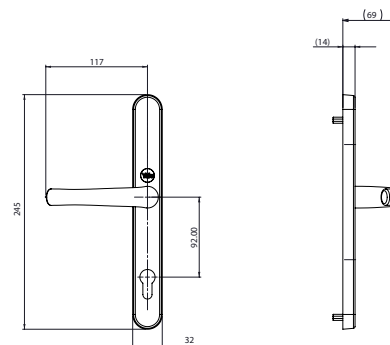
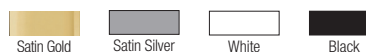
The Yale Superior series offers Yale branded quality handle sets in a range of anodised and power coat finishes.

Specifications

- 92mm lock centre
- 215mm fixing centres
- Backplate measures 245mm H x 32mm W x 14mm D
- Durability tested to 200,000 cycles
- Corrosion resistant tested to 480 hours
- Supplied with fixing pack

Features

- M6 stainless steel bolts for improved strength and security
- Easy to fit



Item Code	Barcode	Description	Finish	Lock Centre	Fixing Centre	Packaging
Y2G-SSSL-WH	5010609311273	Superior Long Backplate Handle	WH	92mm	215mm	Polybagged
Y2G-SSSL-SS	5010609311297	Superior Long Backplate Handle	SS	92mm	215mm	Polybagged
Y2G-SSSL-BL	5010609311280	Superior Long Backplate Handle	BL	92mm	215mm	Polybagged
Y2G-SSSL-SG	5010609311303	Superior Long Backplate Handle	SG	92mm	215mm	Polybagged
P-Y2G-SSSL-WH	5011802191594	Superior Long Backplate Handle	WH	92mm	215mm	Visi packed
P-Y2G-SSSL-BL	5011802191600	Superior Long Backplate Handle	BL	92mm	215mm	Visi packed
P-Y2G-SSSL-SS	5011802191617	Superior Long Backplate Handle	SS	92mm	215mm	Visi packed
P-Y2G-SSSL-SG	5011802191624	Superior Long Backplate Handle	SG	92mm	215mm	Visi packed

Yale PVCu Handles Range



Polished Chrome Polished Gold



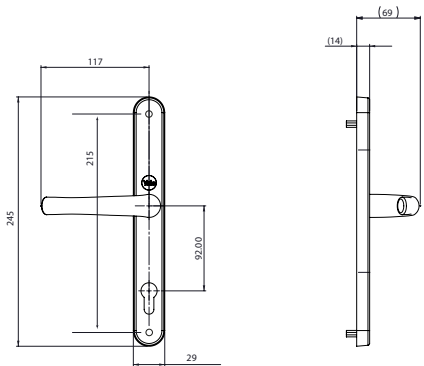
Long Backplate Handle 92/215mm

Specifications

- 92mm lock centre
- 215mm fixing centres
- Backplate measures 245mm H x 29mm W x 14mm D
- Durability tested to 200,000 cycles
- Corrosion resistant tested to 480 hours
- Supplied with fixing pack

Features

- Smooth and durable sprung lever action
- Weather resistant
- Easy to fit



Polished Chrome White



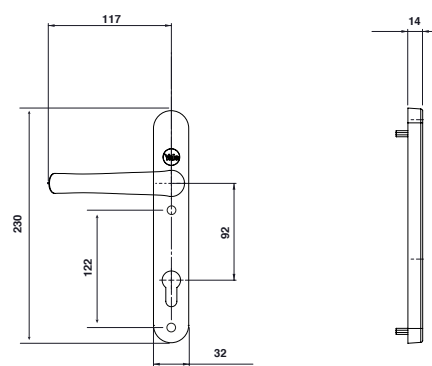
Short Backplate Handle 92/122mm

Specifications

- 92mm lock centre
- 122mm fixing centres
- Backplate measures 230mm H x 32mm W x 14mm D
- Durability tested to 200,000 cycles
- Corrosion resistant tested to 480 hours
- Supplied with fixing pack

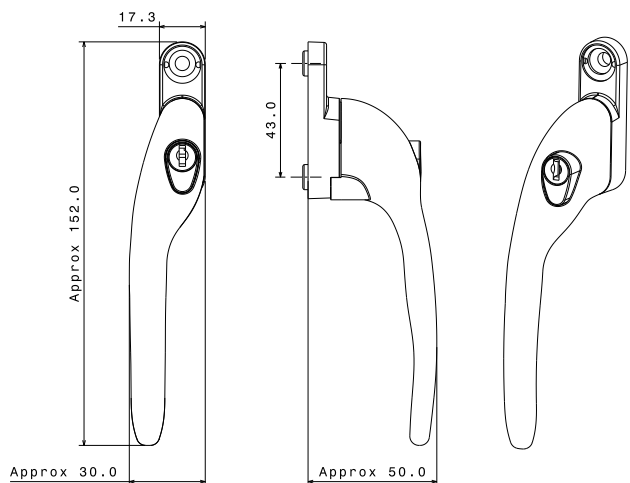
Features

- Smooth and durable sprung lever action
- Weather resistant
- Easy to fit



Item Code	Barcode	Description	Finish	Lock Centre	Fixing Centre	Packaging
YH1LL-PC	5010609162707	PVCu Long Backplate Handle	PC	92mm	215mm	Polybagged
YH1LL-PG	5010609162714	PVCu Long Backplate Handle	PG	92mm	215mm	Polybagged
P-YH1LL-PC	5011802169197	PVCu Long Backplate Handle	PC	92mm	215mm	Visi packed
P-YH1LL-PG	5010609306811	PVCu Long Backplate Handle	PG	92mm	215mm	Visi packed
P-YH1LL-WH	5010609306798	PVCu Long Backplate Handle	WH	92mm	215mm	Visi packed

Item Code	Barcode	Description	Finish	Lock Centre	Fixing Centre	Packaging
YH2LL-PC	5010609181593	PVCu Short Backplate Handle	PC	92mm	122mm	Polybagged
YH2LL-WH	5010609181630	PVCu Short Backplate Handle	WH	92mm	122mm	Polybagged
P-YH2LL-PC	5010609310047	PVCu Short Backplate Handle	PC	92mm	122mm	Visi packed
P-YH2LL-WH	5010609310061	PVCu Short Backplate Handle	WH	92mm	122mm	Visi packed



PVCu Window Handle



Specifications

- Replacement key locking window handle for PVCu windows
- Fits all concealed espagnolette and shootbolt locking systems

Features

- Push button operation with key deadlocking for additional security
- 40mm spindle which can be cut down to fit different window profiles
- Includes key, fixing screws and cover cap

Item Code	Barcode	Description	Finish	Packaging
YWHLCK40N-WH	5010609164343	PVCu Window Handle Inline	WH	Polybagged
YWHLCK40N-PC	5010609164329	PVCu Window Handle Inline	PC	Polybagged
YWHLCK40N-PG	5010609164336	PVCu Window Handle Inline	PG	Polybagged
YWHLCK40R-WH	5010609164381	PVCu Window Handle Offset Right	WH	Polybagged
YWHLCK40R-PC	5010609164367	PVCu Window Handle Offset Right	PC	Polybagged
YWHLCK40R-PG	5010609164374	PVCu Window Handle Offset Right	PG	Polybagged
YWHLCK40L-WH	5010609164305	PVCu Window Handle Offset Left	WH	Polybagged
YWHLCK40L-PC	5010609164282	PVCu Window Handle Offset Left	PC	Polybagged
YWHLCK40L-PG	5010609164299	PVCu Window Handle Offset Left	PG	Polybagged
P-YWHLCK40N-WH	5010609183832	PVCu Window Handle Inline	WH	Visi packed
P-YWHLCK40N-PC	5010609183849	PVCu Window Handle Inline	PC	Visi packed
P-YWHLCK40N-PG	5010609183856	PVCu Window Handle Inline	PG	Visi packed
P-2YWHLCK40N-WH	5010609307900	PVCu Window Handle Inline - Pack of 2	WH	Visi packed
P-2YWHLCK40N-PC	5010609307917	PVCu Window Handle Inline - Pack of 2	PC	Visi packed
P-YWHLCK40R-PC	5011802200395	PVCu Window Handle Offset Right	PC	Visi packed
P-YWHLCK40R-WH	5011802200401	PVCu Window Handle Offset Right	WH	Visi packed
P-YWHLCK40L-PC	5011802200425	PVCu Window Handle Offset Left	PC	Visi packed
P-YWHLCK40L-WH	5011802200432	PVCu Window Handle Offset Left	WH	Visi packed

Yale Window Hinges



Stainless Steel

Check Your Window Orientation

- Window hinges are supplied in pairs
- The window hinges should be replaced at both sides even if only one is faulty

Versatile by Design

The Yale Window Hinge Range is designed for high performance on PVCu, timber and aluminium windows. Manufactured from high quality ferritic stainless steel, a pair of weather sealing adjustable friction hinges provide an excellent smooth operation. They are tested to 20,000 cycles of longevity.

Specifications

- Tested to BS 6375 Parts 1 and 2 for window performance
- Corrosion tested to 96 hours BS EN 1670 Grade 3
- Endurance tested to 20,000 cycles
- Secured By Design compliant when fitted with Yale Ancillary Security Devices

Features

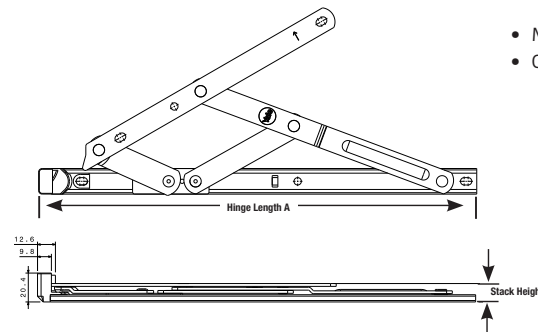
- Excellent weather sealing and draught proofing performance from extended enclosed and cap and asymmetrical vent arm
- Compatible with PVCu, timber and aluminium windows
- Smooth operation and easy friction adjustment
- Standard and highline stack heights
- Made from Ferritic Stainless Steel
- Supplied in pairs
- Top Hung: 10" 16" 20" 24"
- Side Hung: 16"
- Universal (Top Hung or Side Hung): 8" 12"

	Hinge Code 13-14mm Stack Height	Hinge Code 16-18mm Stack Height	Max. Vent Weight (kg)	Min. Vent Height (mm)	Max Vent Height (mm)	Opening Angle (+/- 2.5°)
Top Hung	B-YT10	B-YT10-H	16	275	400	58
	B-YT16	B-YT16-H	21	500	780	52
	B-YT20	B-YT20-H	24	700	1000	42
	B-YT24	B-YT24-H	35	850	1200	38
Side Hung	B-YS16	B-YS16-H	24	400	700	60
Universal (Side Hung)	B-YU8	B-YU8-H	18	200	400	60
	B-YU12	B-YU12-H	22	300	600	65
Universal (Top Hung)	B-YU8	B-YU8-H	12	200	350	60
	B-YU12	B-YU12-H	20	350	550	65

Window Hinges

	Item Code	Barcode	Description	length (mm)	Stack Height (mm)	Opening Angle (+/-2.5°)	Box Qty	Packaging
Side Hung	B-YS16	5011802252790	Yale Side Hung 16" 13mm Pair	400	13	60	25	Polybagged
	B-YS16-H	5011802252806	Yale Side Hung 16" 16-18mm Pair	400	16-18	60	25	Polybagged
Top Hung	B-YT10	5011802252813	Yale Top Hung 10" 13mm Pair	250	13	58	25	Polybagged
	B-YT10-H	5011802252820	Yale Top Hung 10" 16-18mm Pair	250	16-18	58	25	Polybagged
	B-YT16	5011802252851	Yale Top Hung 16" 13mm Pair	400	13	52	25	Polybagged
	B-YT16-H	5011802252868	Yale Top Hung 16" 16-18mm Pair	400	16-18	52	25	Polybagged
	B-YT20	5011802252875	Yale Top Hung 20" 13mm Pair	500	13	42	25	Polybagged
	B-YT20-H	5011802252882	Yale Top Hung 20" 16-18mm Pair	500	16-18	42	25	Polybagged
	B-YT24	5011802252899	Yale Top Hung 24" 13mm Pair	600	13	38	25	Polybagged
B-YT24-H	5011802252905	Yale Top Hung 24" 16-18mm Pair	600	16-18	38	25	Polybagged	
Universal	B-YU8	5011802252912	Yale Universal 8" 13mm Pair	250	13	60	25	Polybagged
	B-YU8-H	5011802252929	Yale Universal 8" 16-18mm Pair	250	16-18	60	25	Polybagged
	B-YU12	5011802305168	Yale Universal 12" 13mm Pair	300	13	65	25	Polybagged
	B-YU12-H	5011802305175	Yale Universal 12" 16-18mm Pair	300	16-18	65	25	Polybagged

Check Your Hinge Size



- Measure the existing hinge length (Dim A)
- Check the stack height (Dim B)



Letterplates

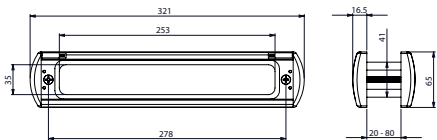
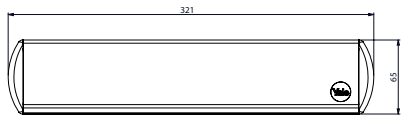
Yale Letterplates are ideal for replacing tired and worn out door furniture, to give your door a fresh, improved appearance. DIY friendly and easy to fit, all letterplates have telescopic sleeves for the perfect fit on 38-78mm thick doors.

Platinum Letterplate



The Yale Platinum Letterplates combine eye catching aesthetics with sturdy construction and long service life.

Designed to complement the Yale range of Platinum Door Handles, the Platinum range of letterplates are suitable for a wide range of door thicknesses and materials.



Specifications

- Product conforms to BS EN 13724:2002
- Product conforms to PAS 24 with the added use of a security cowl
- Durable spring loaded flap tested to 25,000 operations
- 180 degree flap opening

Features

- Marine grade 316 stainless steel external plate for unrivalled corrosion resistance
- 304 stainless steel internal plate for durable performance on the inside of the door
- External weather seal and integral draught seal
- Stainless steel M6 fixing screws secure the letterplate to the door
- Available with 20/40mm and 40/80mm depth sleeves for the perfect fit
- Suite with the Yale Platinum Door Handles
- Hard wearing UV stable PVD Gold and Polished Chrome finishes

Item Code	Barcode	Description	Finish	Packaging
Y2G-2040-PC	5011202168718	12" 20/40 Platinum Letterplate	PC	Polybagged
Y2G-2040-PG	5011802168725	12" 20/40 Platinum Letterplate	PG	Polybagged
Y2G-4080-PC	5011802168732	12" 40/80 Platinum Letterplate	PC	Polybagged
Y2G-4080-PG	5011802168749	12" 40/80 Platinum Letterplate	PG	Polybagged

PVCu Security Letterplate



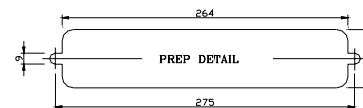
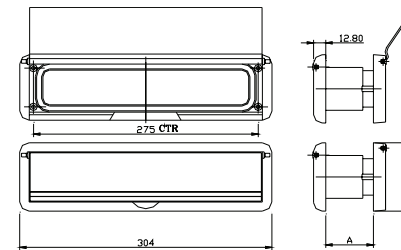
Adjustable telescopic sleeves for the perfect fit.

Specification

- Universal fit for door thicknesses 38-78mm
- Corrosion resistant BS EN 1670:2007
- Security cowl protects against letterplate attacks

Features

- Quick fit design (fixings supplied)
- The security cowl prevents visibility of occupancy and restricts the opening of the internal letterplate flap, which reduces the risk of access to internal locks and keys
- Energy efficiency and weather resistance
- External foam seal for increased weather protection
- Internal brushes reduce air filtration and prevent heat loss
- Fully sprung flaps with thumb handles for ease of use



Item Code	Barcode	Description	Finish	Packaging
P-YHSLP-WH	5010609305487	Security Letter Plate 12" 40/80	WH	Visi packed
P-YHSLP-CH	5010609305494	Security Letter Plate 12" 40/80	CH	Visi packed



Yale Letterplate



Specification

- Adjustable telescopic sleeves for the perfect fit
- Corrosion resistant BS EN 1670:2007
- Universal fit for door thicknesses 38-78mm

Features

- Quick fit design (fixings supplied)
- Energy efficiency and weather resistance
- External foam seal for increased weather protection
- Internal brushes reduce air filtration and prevent heat loss
- Fully sprung flaps with thumb handles for ease of use
- External flap designed to open to 147°, giving generous and clear access for posting mail



Letterplate Restrictor



Specification

- Compatible with most letterplates
- Simple to fit
- Suitable for wooden, PVCu & composite doors

Features

- Restricts the opening of the letterplate on the inside
- Prevents visibility of occupancy
- Reduce risk of vandalism, fishing and lock manipulation
- Adjustable to allow full closure, part restriction or full opening



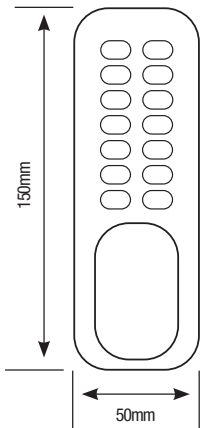
Item Code	Barcode	Description	Finish	Packaging
YLP44-06/01-B	5010609294835	12" 40/80 Letter Plate	AS	Boxed
YLP44-06/34-B	5010609294842	12" 40/80 Letter Plate	AG	Boxed
YLP44-06/32-B	5010609294859	12" 40/80 Letter Plate	PG	Boxed
YLP44-06/73-B	5010609294866	12" 40/80 Letter Plate	PC	Boxed
YLP44-06/03-B	5010609294873	12" 40/80 Letter Plate	WH	Boxed
YLP44-06/06-B	5010609294828	12" 40/80 Letter Plate	BL	Boxed
YLP44-06/34-CP	5010609299038	12" 40/80 Letter Plate	AG	Visi packed
YLP44-06/73-CP	5010609299052	12" 40/80 Letter Plate	PC	Visi packed
YLP44-06/06-CP	5010609299014	12" 40/80 Letter Plate	BL	Visi packed
YLP44-06/32-CP	5010609299045	12" 40/80 Letter Plate	PG	Visi packed
YLP44-06/01-CP	5010609299021	12" 40/80 Letter Plate	AS	Visi packed
YLP44-06/03-CP	5010609299007	12" 40/80 Letter Plate	WH	Visi packed

Item Code	Barcode	Description	Finish	Packaging
P-YLPR-CH	5010609307931	Letterplate Restrictor	CH	Visi packed
P-YLPR-WH	5010609307924	Letterplate Restrictor	WH	Visi packed

Yale Push Button Door Locks



Satin Chrome



Push Button Door Lock



Push Button Door Locks offer convenient keyless access to doors where restricted access is required.

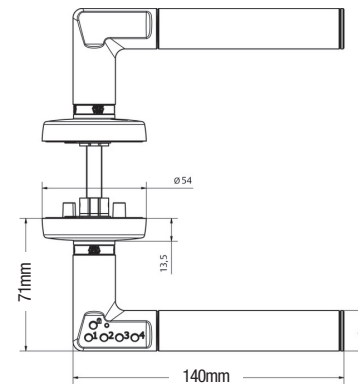
Features

- Standard security
- Over 8000 codes; can be programmed between 4 and 6 digits
- Easy to change code
- Hold open function
- Fits doors up to 50mm thick
- 60mm backset
- Suitable for left or right handed doors

Code Handle



Silver



Features

- Provides keyless locking for internal doors where restricted access is required
- Easy to fit – no wires
- Up to 9 user codes and 1 master code
- 3 minute lock out after 5 incorrect entries
- 4 – 6 digit pin-code security with passage mode function
- Manual or automatic locking modes for extra convenience
- Low battery indicator
- Requires 2 x Lithium 3V (CR2) batteries

Item Code	Catalogue Code	Barcode	Description	Finish	Packaging
P-DL02-SC	P-DL02-SC	5010609099843	Hold Open Push Button Door Lock	SC	Visi Packed

Item Code	Catalogue Code	Barcode	Description	Finish	Packaging
8812 8LE1 0028	8812 8LE1 0028	5011802210349	Code Handle - Left handed	Silver	Visi Packed
8812 8RE1 0027	8812 8RE1 0027	5011802210332	Code Handle - Right handed	Silver	Visi Packed



Additional Security

Yale offer an extensive range of quality additional security products for doors and windows, designed to give you an additional level of protection for ultimate peace of mind.

TS007 Door Chain

Security Door Chain

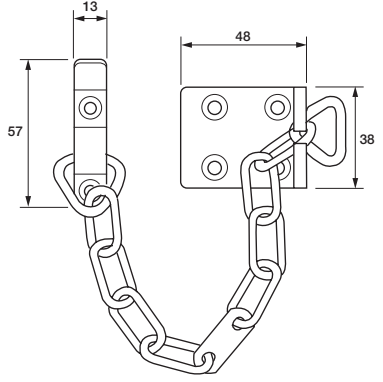


Specifications

- Approved to DHF TS003:2012 - Door Chains & Limiters

Features

- Helps to hold the door in the slightly open position, restraining against a forced attack
- Helps you to identify a caller before the door is fully released
- Suitable for wooden doors
- Non TS003 version with longer chain available for PVCu

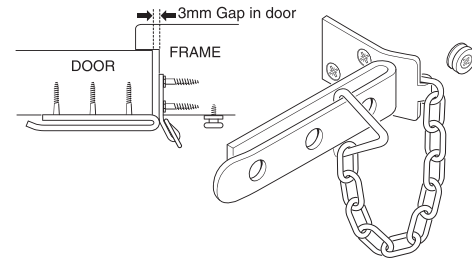


Security Door Chain



Features

- Simple to install
- Suitable for use on external doors 950mm wide



Item Code	Catalogue Code	Barcode	Description	Finish	Packaging
V-WS6-CH	V-WS6-CH	5011783002155	WS6 TS003 Door Chain	CH	Visi Packed
V-WS6-EB	V-WS6-EB	5011783000304	WS6 TS003 Door Chain	PB	Visi Packed
V-WS6-SC	V-WS6-SC	5011783000403	WS6 TS003 Door Chain	SC	Visi Packed
B-YDW-DC-20-EB	B-YDW-DC-20-EB	5011802194588	WS6 TS003 Door Chain (Box of 20)	PB	Boxed
B-YDW-DC-20-CH	B-YDW-DC-20-CH	5011802194595	WS6 TS003 Door Chain (Box of 20)	CH	Boxed
B-WS6-20-EB	B-WS6-20-EB	5011783008836	WS6 Door Chain (Non-TS003 longer chain for PVCu)	PB	Boxed
B-WS6-20-SC	B-WS6-20-SC	5011783008843	WS6 Door Chain (Non-TS003 longer chain for PVCu)	SC	Boxed

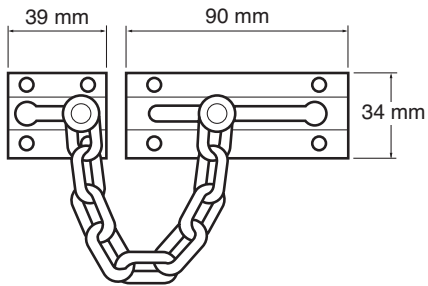
Item Code	Catalogue Code	Barcode	Description	Finish	Packaging
721040005161	P-1040-SC	5010608104005	P-1040 Door Security Chain	SC	Visi Packed
721040005174	P-1040-PB	5010608104012	P-1040 Door Security Chain	PB	Visi Packed

Standard Door Chain



Features

- Helps identify a caller before the door is fully released
- Surface fitted security accessory
- Suitable for wooden doors



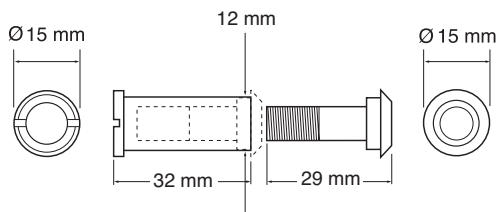
Item Code	Catalogue Code	Barcode	Description	Finish	Packaging
721037005162	P-1037-CH	5010608103701	P-1037 Door Chain	CH	Visi Packed
721037005166	P-1037-PB	5010608103718	P-1037 Door Chain	PB	Visi Packed

Door Viewer



Features

- Wide range angle view 140°
- Helps identify callers before opening the door
- Adjustable to fit door thickness 35mm - 57mm
- Commercial Door Viewer also available to suit various door thicknesses
- Suitable for wooden doors

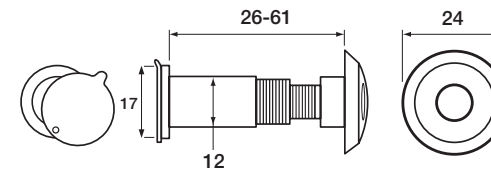


Wide Angle Door Viewer



Features

- Extra wide angle of vision
- Adjustable to fit door thickness 25-59mm
- Suitable for wooden doors



Item Code	Catalogue Code	Barcode	Description	Finish	Packaging
729401005001	P-9401-PB	5010608940108	P-9401 Door Viewer	PB	Visi Packed
729401005162	P-9401-CH	5010609019421	P-9401 Door Viewer	CH	Visi Packed
B-WS9-CH	B-WS9-CH	5011783003343	WS9 Commercial Door Viewer	CH	Boxed
B-WS9-GL	B-WS9-GL	5011783003336	WS9 Commercial Door Viewer	GL	Boxed

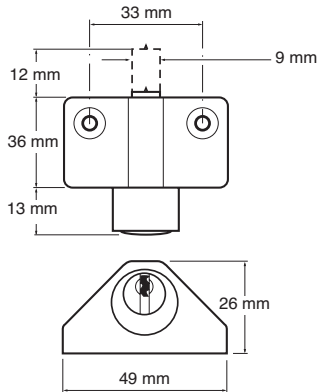
Item Code	Catalogue Code	Barcode	Description	Finish	Packaging
V-8V001-CH	V-8V001-CH	5011783001066	8V001 Wide Angle Door Viewer	CH	Visi Packed
V-8V001-GL	V-8V001-GL	5011783000274	8V001 Wide Angle Door Viewer	GL	Visi Packed

Patio Doorlock

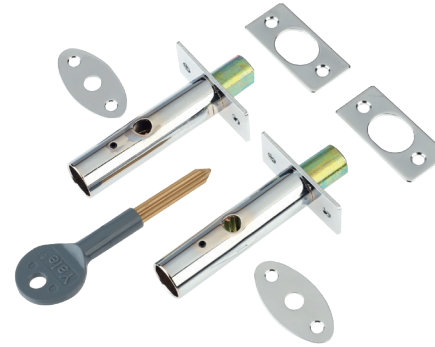


Features

- Suitable for most sliding patio doors
- Offers an optional ventilation position
- Press the bolt to lock and use the key to unlock
- Supplied complete with fixing screws



Security Door Bolt

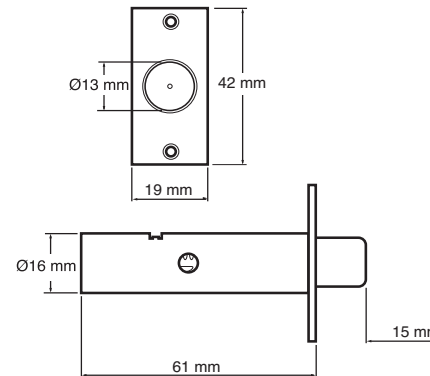


Specifications

- Additional security, ideal for back doors

Features

- Key operated concealed door bolts
- Door bolt is concealed within the door
- Mortice fixing with bolt throwing in to the door frame
- Lock can only be operated from inside
- Recommended that 2 bolts are used per door
- Suitable for wooden doors



Item Code	Catalogue Code	Barcode	Description	Finish	Packaging
720114005069	P-114-DMG	5010608011402	P-114 Patio Doorlock	DMG	Visi Packed
720114005071	P-114-WE	5010608011419	P-114 Patio Doorlock	WE	Visi Packed
720114005127	P-114-G	5010609030631	P-114 Patio Doorlock	GLD	Visi Packed
720114005162	P-114-CH	5010609072563	P-114 Patio Doorlock	CH	Visi Packed

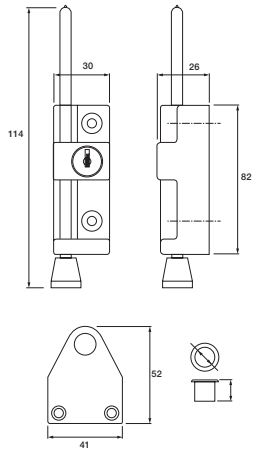
Item Code	Catalogue Code	Barcode	Description	Finish	Packaging
720444045025	P-M444-PB	5010608144452	P-M444 Door Security Bolt	PB	Visi Packed
720444045071	P-M444-WE	5010608044455	P-M444 Door Security Bolt	WE	Visi Packed
720444045162	P-M444-CH	5010609030440	P-M444 Door Security Bolt	CH	Visi Packed
720444805025	P-M444KB	5010608144476	P-M444 Door Security Bolt Key		Visi Packed
722444045025	P-2PM444-PB-2	5010608244480	P-M444 Door Security Bolt (Pack of 2)	PB	Visi Packed
722444045071	P-2PM444-WE-2	5010608244459	P-M444 Door Security Bolt (Pack of 2)	WE	Visi Packed
722444045162	P-2PM444-CH-2	5010609030457	P-M444 Door Security Bolt (Pack of 2)	CH	Visi Packed
722444805025	P-2PM444KB	5010609072594	P-M444 Door Security Bolt Key (Pack of 2)		Visi Packed
B-M444-50-PL	B-M444-50-PL	5011783008393	M444 Door Security Bolt (Trade Pack of 50)	PB	Boxed
PM44T-CH	P-M44T-CH	5010609081763	P-M44T Thumbturn	CH	Visi Packed
PM44T-PL	P-M44T-PL	5010609081725	P-M44T Thumbturn	PL	Visi Packed

Multi-Purpose Door Bolt



Features

- Suitable for securing single or double aluminium sliding doors by means of the steel locking bar
- Also suitable for hinged doors and wooden doors
- Steel bolt to be manually thrown and locked into position by use of the key
- A key differing mechanism releases the bar from the frame

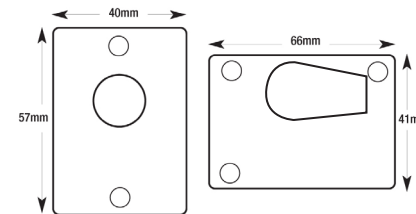


Indicator Bolt



Features

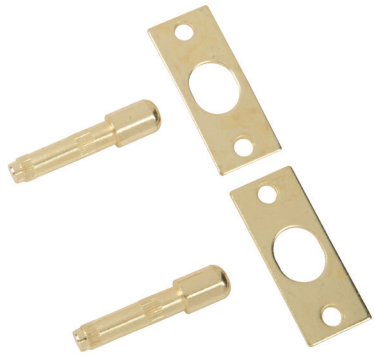
- Privacy lock for use on bathroom or W.C. doors
- Vacant / engaged indicator shows whether the room is occupied
- Emergency facility allows access to be gained outside by using a coin or screw driver
- Suitable for inward opening doors hinged on the left or right



Item Code	Catalogue Code	Barcode	Description	Finish	Packaging
V-8K116-BR	V-8K116-BR	5011783005521	8K116 Multi-Purpose Door Bolt	BR	Visi Packed
V-8K116-SE	V-8K116-SE	5011783000823	8K116 Multi-Purpose Door Bolt	SE	Visi Packed
V-8K116-WE	V-8K116-WE	5011783001141	8K116 Multi-Purpose Door Bolt	WE	Visi Packed
B-8K116-20-WE	B-8K116-20-WE	5011783008522	8K116 Multi-Purpose Door Bolt (Trade Pack of 20)	WE	Boxed

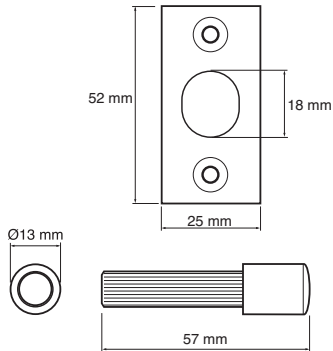
Item Code	Catalogue Code	Barcode	Description	Finish	Packaging
P127-SC	P127-SC	5011802119499	P-127 Indicator Bolt	SC	Visi Packed

Hinge Bolt



Features

- Protects against common attack methods on door hinges
- Ideal for outward opening doors
- Automatically engages and disengages when opening and closing the door
- Hinge bolts will resist hacksawing and attempts to remove the door from its frame

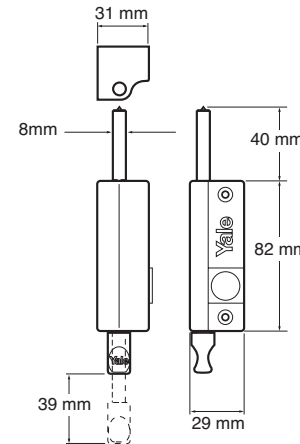


Door Pushbolt



Features

- Surface fixed bolt, offers additional security to internal and external doors
- Suitable for both aluminium sliding doors and flush wooden doors



Item Code	Catalogue Code	Barcode	Description	Finish	Packaging
710125005165	P-125-PB	5010609072525	P-125 Hinge Bolts	PB	Visi Packed
710125005168	P-125-SC	5010608012508	P-125 Hinge Bolts	SC	Visi Packed

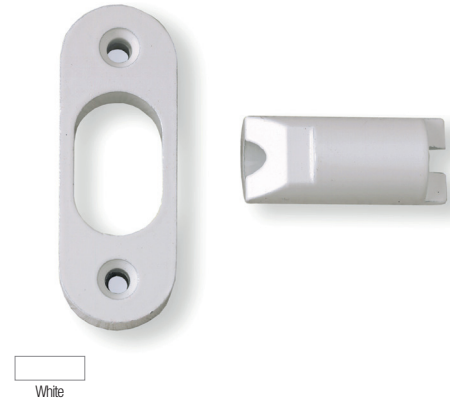
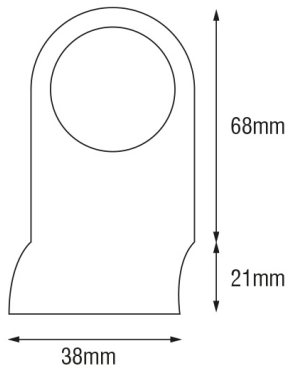
Item Code	Catalogue Code	Barcode	Description	Finish	Packaging
720124005071	P-124-WE	5010608012409	P-124 Door Pushbolt	WE	Visi Packed
720124005162	P-124-CH	5010609030600	P-124 Door Pushbolt	CH	Visi Packed
720124005166	P-124-PB	5010608012416	P-124 Door Pushbolt	PB	Visi Packed

Cylinder Pull



Features

- Compatible with 1109 Rim Cylinders
- Allows for easy door closing
- For use with wooden doors

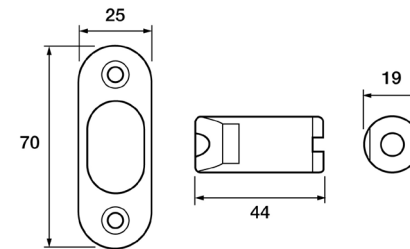


Hinge Bolts



Features

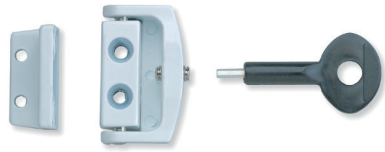
- Hinge bolts help keep the door in the frame on the hinged side, aiding protection against a forced attack
- Recommended for use in outward opening doors



Item Code	Catalogue Code	Barcode	Description	Finish	Packaging
210110005001	P-110	5010608001106	P-110 Cylinder Pull	PB	Visi Packed
210110005162	P-110-CH	5010608992435	P-110 Cylinder Pull	CH	Visi Packed

Item Code	Catalogue Code	Barcode	Description	Finish	Packaging
V-WS12-2-WE	V-WS12-2-WE	5011783000328	WS12 Hinge Bolts x 2	WH	Visi Packed

Window Lock

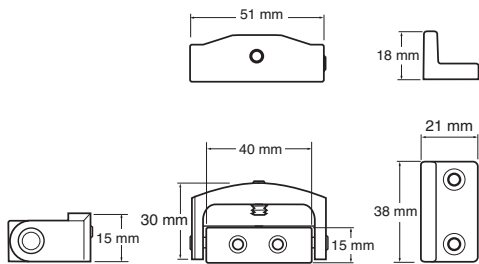


Features

- Key operated window lock
- Suitable for timber casement windows
- Surface fixed lock that swings over a frame fixed striking plate



White



Features

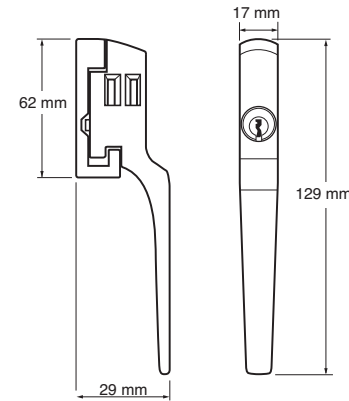
- Locking mechanism incorporated within the handle
- Suitable for narrow frames and fits both left or right hand opening timber casement windows
- Supplied with wedges for use with tapered frames to square lock to window section
- Locks both in closed and ventilation positions
- Unlock using the supplied key



Polished Chrome

Polished Brass

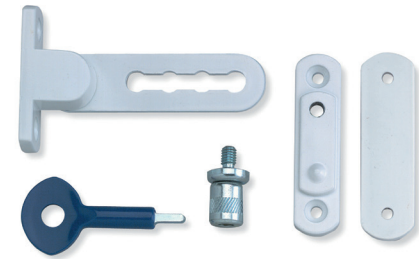
White



Item Code	Catalogue Code	Barcode	Description	Finish	Packaging
710113205071	P-113-WE	5010608011303	P-113 Window Lock	WE	Visi Packed
712113005071	P-2P113-WE-2	5010608211307	P-113 Window Lock (Pack of 2)	WE	Visi Packed

Item Code	Catalogue Code	Barcode	Description	Finish	Packaging
710115005071	P-115-WE	5010608011501	P-115 Lockable Window Handle	WE	Visi Packed
710115005162	P-115-CH	5010609030723	P-115 Lockable Window Handle	CH	Visi Packed
710115005166	P-115-PB	5010608011518	P-115 Lockable Window Handle	PB	Visi Packed

Ventilation Window Lock

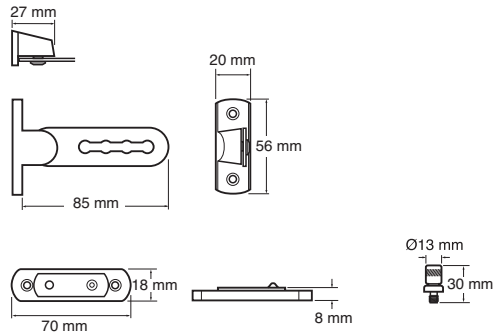


White



Features

- Suitable for timber casement windows
- Key supplied to lock and unlock
- Surface fixed lock that offers restricted opening and locking in position to allow ventilation



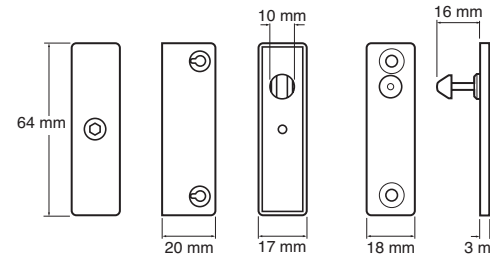
White Polished Brass

Auto Window Lock



Features

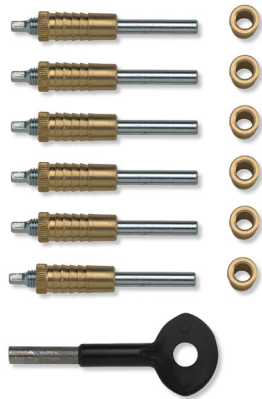
- Surface fixed lock which automatically snaplocks on closing the window
- Key supplied to unlock
- Suitable for timber casement windows



Item Code	Catalogue Code	Barcode	Description	Finish	Packaging
710117105071	P-117-WE	5010608011709	P-117 Ventilation Window Lock	WE	Visi Packed
712117005071	P-2P117-WE-2	5010608211703	P-117 Ventilation Window Lock (Pack of 2)	WE	Visi Packed

Item Code	Catalogue Code	Barcode	Description	Finish	Packaging
710118105071	P-118-WE	5010608011808	P-118 Auto Window Lock	WE	Visi Packed
712118005025	P-2P118-PB-2	5010609030730	P-118 Auto Window Lock (Pack of 2)	PB	Visi Packed
712118005071	P-2P118-WE-2	5010608211802	P-118 Auto Window Lock (Pack of 2)	WE	Visi Packed

Sash Window Bolts

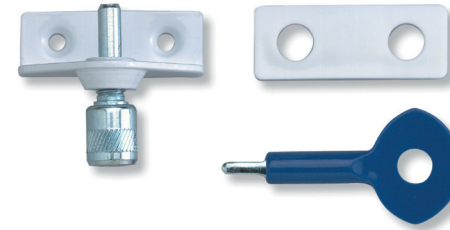
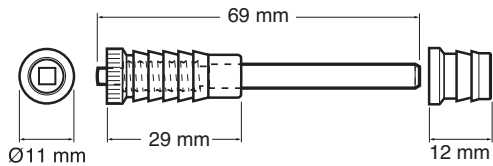


Polished Brass



Features

- Key operated window lock
- Suitable for timber casement windows
- Surface fixed lock that swings over a frame fixed striking plate



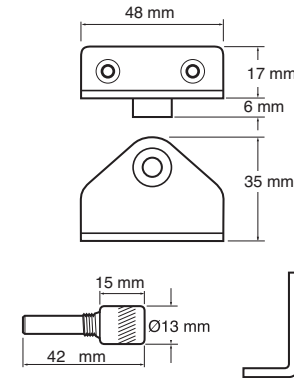
White

Window Stay Clamp



Features

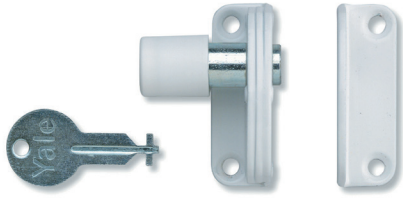
- Suitable for metal casement windows
- Secures over metal stay bracket
- Screws into the hole on the arm, preventing movement
- Key to lock and unlock
- Supplied with universal key
- Easy to use



Item Code	Catalogue Code	Barcode	Description	Finish	Packaging
716119005166	P-6P119-6	5010608011907	P119 Sash Window Bolts (Pack of 6)	PB	Visi Packed

Item Code	Catalogue Code	Barcode	Description	Finish	Packaging
710121005071	P-121-WE	5010608012102	P-121 Window Stay Clamp	WE	Visi Packed
713121005071	P-3P121-WE-3	5010608312103	P-121 Window Stay Clamp (Pack of 3)	WE	Visi Packed

Sash Window Presslock

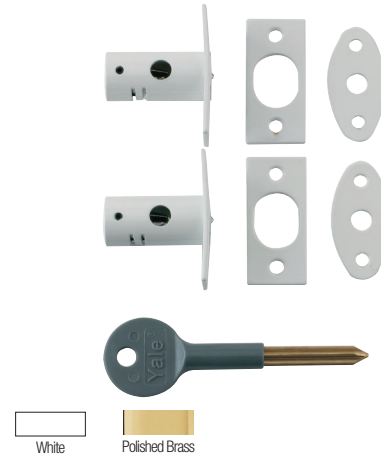
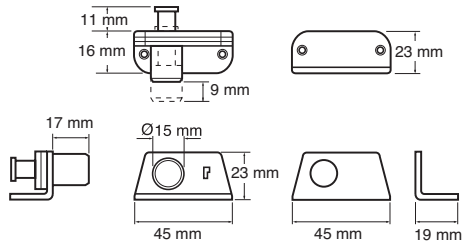


White



Features

- Secures the inner frame to the outer frame
- Lock incorporating a pressbolt preventing the inner and outer frames of the sash window from passing each other
- Press the bolt to lock and use the key to unlock
- For use on sash windows



White

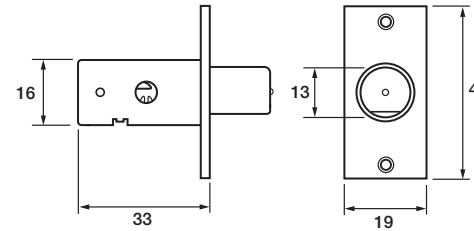
Polished Brass

Security Bolt



Features

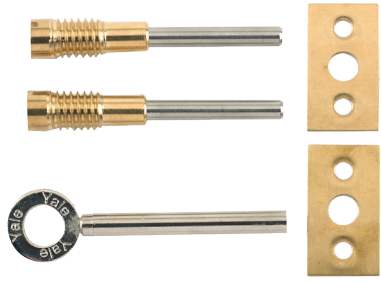
- Suitable for hinged timber casement windows
- Key to lock, key to unlock
- Operated from the inside only
- Key operated mortice bolt secures the window to the fixed frame
- Prevents intruders from opening windows by releasing catch



Item Code	Catalogue Code	Barcode	Description	Finish	Packaging
710123005071	P-123-WE	5010608012300	P-123 Sash Window Presslock	WE	Visi Packed

Item Code	Catalogue Code	Barcode	Description	Finish	Packaging
V-8001-2-PL	V-8001-2-PL	5011783000090	8001 Security Bolt (Pack of 2)	PB	Visi Packed
V-8001-2-WE	V-8001-2-WE	5010609198591	8001 Security Bolt (Pack of 2)	WE	Visi Packed
V-8001K-2	V-8001K-2	5011783000120	8001 Keys (Pack of 2)	-	Visi Packed
B-8001K-20	B-8001K-20	5011783008379	8001 Trade Pack 20 Keys	-	Boxed
B-8001KX	B-8001KX	5011783008386	8001 KX Long Key	-	Boxed

Sash Window Screw Lock

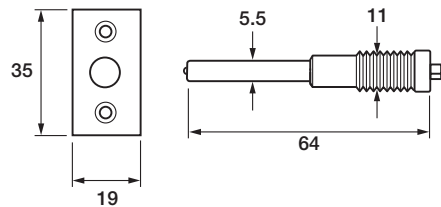


Polished Brass



Features

- The threaded lock barrel is fixed into the inner frame and the window is secured by locking the inner bolt into the barrel and frame using the key
- Can also be used in hinged windows
- Screw in fitting barrel



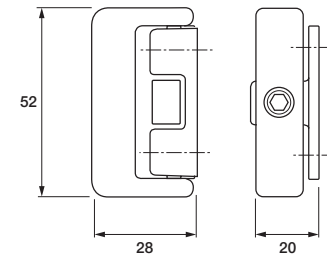
Polished Chrome Polished Brass White

Window Lock



Features

- Lock is surface fixed onto the window section and is locked around the frame fixed staple by use of the key
- A clenching action helps to pull the window to the frame to reduce draughts
- Suitable for hinged timber casement windows



Item Code	Catalogue Code	Barcode	Description	Finish	Packaging
V-8013-2-PL	V-8013-2-PL	5011783000144	8013 Sash Window Screw Locks (Pack of 2)	PB	Visi Packed
V-8013K-2	V-8013K-2	5011783000236	8013 Keys (Pack of 2)		Visi Packed

Item Code	Catalogue Code	Barcode	Description	Finish	Packaging
V-8K101-4-BR	V-8K101-4-BR	5011783000953	8K101 Window Lock + Key (Pack of 4)	BR	Visi Packed
V-8K101-4-EB	V-8K101-4-EB	5011783001004	8K101 Window Lock + Key (Pack of 4)	PB	Visi Packed
V-8K101-4-WE	V-8K101-4-WE	5011783000182	8K101 Window Lock + Key (Pack of 4)	WE	Visi Packed
V-8K101K-2	V-8K101K-2	5011783000199	8K101 Keys (Pack of 2)	-	Visi Packed
V-8K101LK-EB	V-8K101LK-EB	5011783001653	8K101 Window Lock + Key	PB	Visi Packed
V-8K101LK-WE	V-8K101LK-WE	5011783001639	8K101 Window Lock + Key	WE	Visi Packed
B-8K101K-20	B-8K101K-20	5011783008461	Trade Pack 20 Window Lock Keys	-	Boxed
B-8K101-50-WE	B-8K101-50-WE	5011783008454	50 x 8K101 Window Lock (Trade Pack of 50)	WE	Boxed



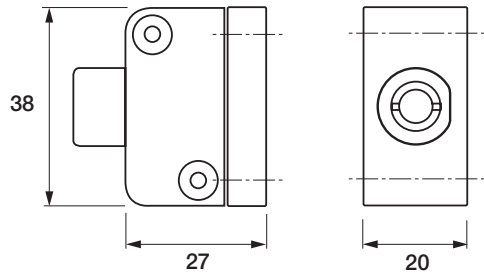
White

Push Button Window Lock



Features

- Lock for surface fixing to the fixed frame which is locked onto the lock plate on the window section by pushing the lock barrel
- Easy to use 'Push to Lock' system
- Released by key
- Suitable for hinged timber casement windows



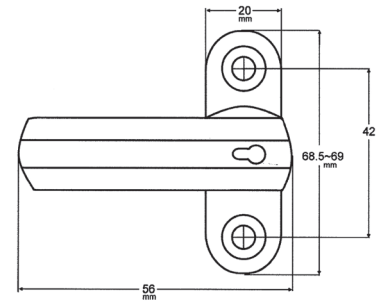
White

PVCu Window Stop



Features

- Suitable for surface fixing to PVCu windows
- Simple 'Push to Lock' action with key to release
- Supplied with a selection of packers for different window sizes



Item Code	Catalogue Code	Barcode	Description	Finish	Packaging
V-8K102-2-WE	V-8K102-2-WE	5011783000373	8K102 Push Button Window Lock (Pack of 2)	WE	Visi Packed
V-8K102K-2	V-8K102K-2	5011783000212	8K102 Keys (Pack of 2)	-	Visi Packed
V-8K120K-2	V-8K120K-2	5011783001363	8K120 Keys x 2		Visi Packed

Item Code	Catalogue Code	Barcode	Description	Finish	Packaging
V-8K103-WE	V-8K103-WE	5011783035092	8K103 PVCu Window Stop	WE	Visi Packed

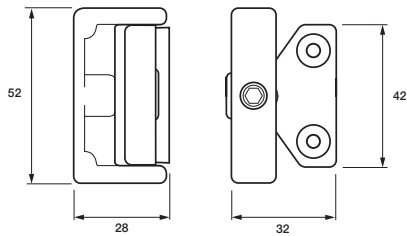
Metal Window Lock



Features

- Lock is surface fixed onto the window section and is locked around the frame fixed staple by use of the key
- For use on metal windows only

White



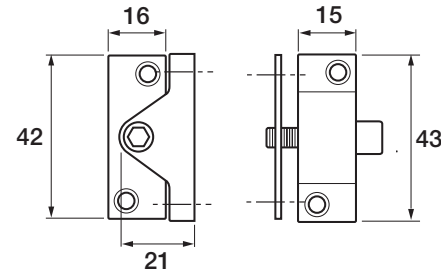
Economy Window Lock



Features

- Lock is surface fixed onto the window section, locking into the fixed frame by use of the key
- Suitable for hinged timber casement windows

White Polished Brass



Item Code	Catalogue Code	Barcode	Description	Finish	Packaging
V-8K106-2-WE	V-8K106-2-WE	5011783000250	8K106 Metal Window Lock x 2	WE	Visi Packed

Item Code	Catalogue Code	Barcode	Description	Finish	Packaging
V-8K118-4-EB	V-8K118-4-EB	5011783000731	8K118 Economy Window Lock (Pack of 4 + 1 Key)	PB	Visi Packed
V-8K118-4-WE	V-8K118-4-WE	5011783000724	8K118 Economy Window Lock (Pack of 4 + 1 Key)	WE	Visi Packed

8K109 Window Locks

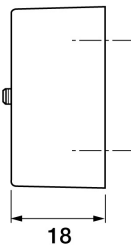
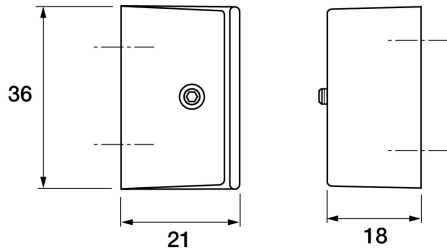


White



Features

- Suitable for outward opening hinged windows
- Supplied c/w wedge plate for tapered frames and fixing screws
- Operation Lock is secured and released by use of the which turns a socket screw into the lock plate fitted to the frame



PVCu Window Lock & Key

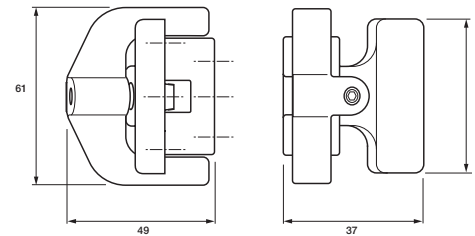


White



Features

- For use on PVCu windows only
- Lock for surface fixing on to the window section which is locked around the frame fixed staple by use of the key
- Key supplied



Item Code	Catalogue Code	Barcode	Description	Finish	Packaging
V-8K109-4-WE	V-8K109-4-WE	5011783000380	8K109 Window Locks (4 + 1)	WE	Visi Packed

Item Code	Catalogue Code	Barcode	Description	Finish	Packaging
V-8K123LK-WE	V-8K123LK-WE	5011783004302	8K123 PVCu Window Lock + Key	WE	Visi Packed

Window Handle Bolts

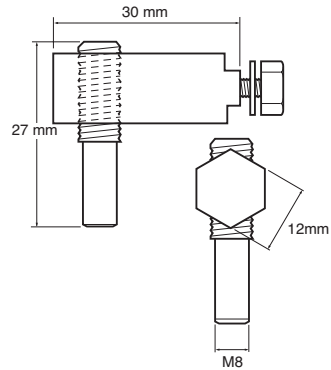


Satin Chrome



Features

- Surface fixed lock which automatically snaplocks on closing the window
- Key to unlock
- Key supplied
- For use on metal casement windows



Universal Window Lock

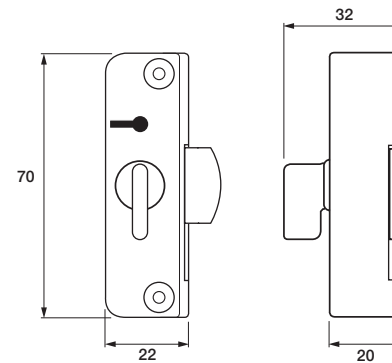


White



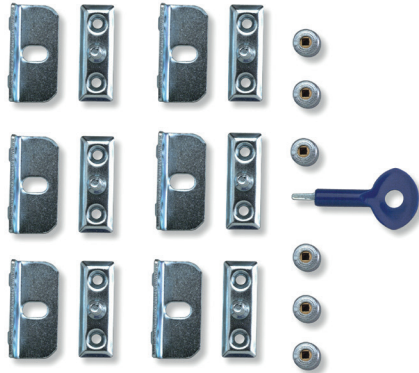
Features

- Suitable for hinged timber casement windows
- Lock for surface fixing onto the window section
- Bolt is thrown into the fixed frame by turning the catch, the bolt is then unlocked with the key



Item Code	Catalogue Code	Barcode	Description	Finish	Packaging
710122005161	P-122-SC	5010608012201	P-122 Window Handle Bolts	SC	Visi Packed
710001221001	B-122	5010609055108	P-122 Window Lock Key	SC	Boxed

Item Code	Catalogue Code	Barcode	Description	Finish	Packaging
V-8K100X1-WE	V-8K100X1-WE	5011783009031	8K100 Universal Window Lock (Series 1)	WE	Visi Packed
V-8K100X12-WE	V-8K100X12-WE	5011783000151	8K100 Universal Window Lock (Series 12)	WE	Visi Packed
V-8K100KX1-2	V-8K100KX1-2	5011783008935	8K100 Keys x 2 (Series 1)		Visi Packed
V-8K100KX12-2	V-8K100KX12-2	5011783009017	8K100 Keys x 2 (Series 12)		Visi Packed



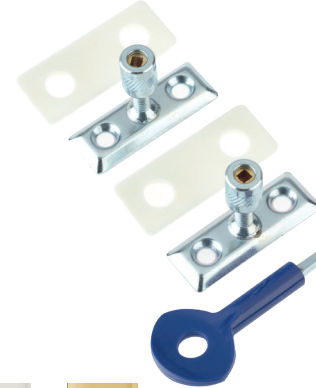
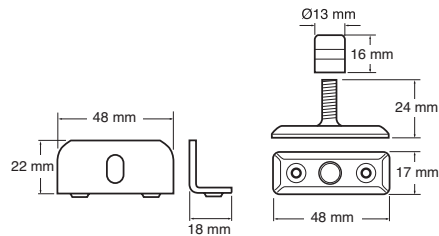
Satin Chrome

Window Screwlocks



Features

- Surface fixed lock that secures the window to the window frame
- Suitable for timber casement and narrow windows
- Pack of 6



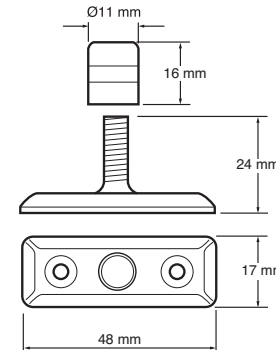
Satin Chrome Polished Brass

Stay Locks



Features

- Surface-fixed lock that replaces the stay-peg on the existing window fastener
- Suitable for timber casement windows



Item Code	Catalogue Code	Barcode	Description	Finish	Packaging
716112005161	P-112-SC	5010608011204	P112 Window Screwlocks x 6	SC	Visi Packed

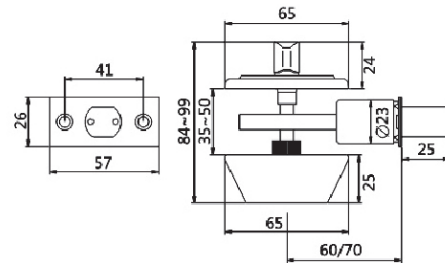
Item Code	Catalogue Code	Barcode	Description	Finish	Packaging
712111005161	P-2P111-SC-2	5010608011105	P111 Stay Locks (Pack of 2)	SC	Visi Packed
712111005166	P-2P111-PB-2	5010608011112	P111 Stay Locks (Pack of 2)	PB	Visi Packed
716111005161	P-6P111-SC-6	5010608611107	P111 Stay Locks (Pack of 6)	SC	Visi Packed
716111005166	P-6P111-PB-6	5010608611114	P111 Stay Locks (Pack of 6)	PB	Visi Packed

P5211 Security Deadbolt



Features

- A cylinder operated mortice deadbolt for additional security
- Thumbturn operation on the inside throws the deadbolt
- Key operated from the outside

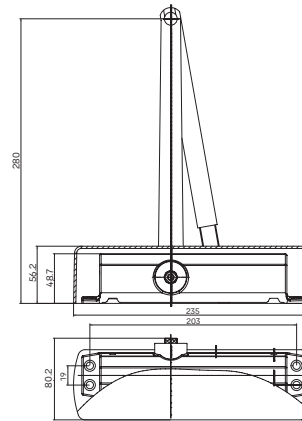


Challenge Door Closer



Features

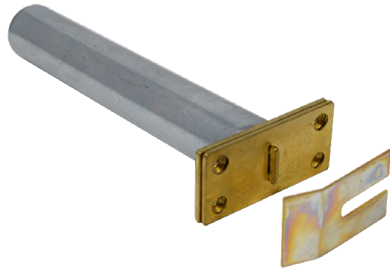
- Door closer with adjustable closing and latching speeds
- Power size 3-4
- Size 3: Max door width 950mm, Max door weight 60kg
- Size 4: Max door width 1100mm, Max door weight 80kg
- CE marked - suitable for use on fire doors



Item Code	Catalogue Code	Barcode	Description	Finish	Packaging
235211005001	P-5211	5010608521109	P5211 Security Deadbolt	SC	Visi Packed

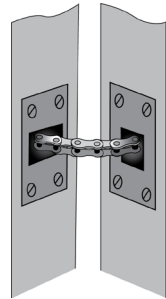
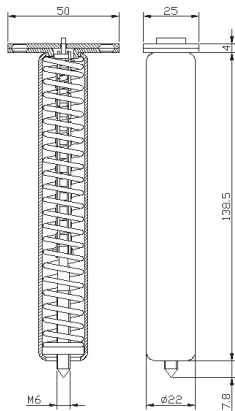
Item Code	Catalogue Code	Barcode	Description	Finish	Packaging
130202005102	P-2002	5010608020206	Challenge Door Closer	-	Boxed

Concealed Door Closer



Features

- A concealed door closer that is fitted into the hinge side of the door
- Provides automatic closure of light-medium weight internal doors weighing up to 50kg
- Suitable for left or right handed fitting
- Supplied with all fixings

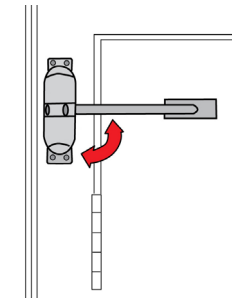
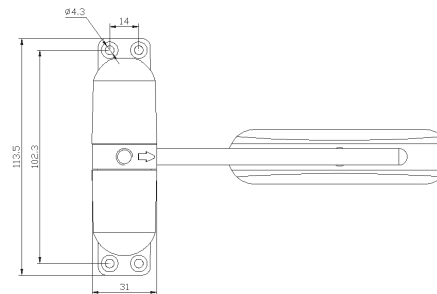


Surface Mounted Door Closer



Features

- Yale Polished Chrome spring loaded door closer with adjustable tensioner
- Provides automatic closure of light-medium weight internal doors weighing up to 50kg
- Easy to fit as well as suitable for both left and right hand opening doors
- Fire Door Compliant - suitable for fire doors, proven successful in fire test to BS EN 1634-1 standard



Item Code	Catalogue Code	Barcode	Description	Finish	Packaging
P-YCJDC-EB	P-YCJDC-EB	5010609183788	Concealed Door Closer	EB	Boxed

Item Code	Catalogue Code	Barcode	Description	Finish	Packaging
P-YSMDC-PC	P-YSMDC-PC	5010609183771	Surface Mounted Door Closer	PC	Boxed
P-YSMDC-WH	P-YSMDC-WH	5010609183757	Surface Mounted Door Closer	WH	Boxed

Essentials Euro Cylinder



Features

- Replacement 5 pin Euro Profile Cylinder
- Suitable for PVCu and composite doors
- Easy to fit

Essentials Cylinder Pull



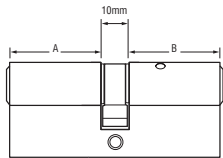
Features

- Compatible with 1109 Rim Cylinders
- Allows for easy door closing
- For use with wooden doors

Polished Chrome

Cylinder Sizing - 6 Pin Cylinder

To ensure that you purchase the correct size cylinder for your lock, remove your old cylinder and measure each A and B parts of the cylinder as shown on the diagram.



E.g. Part Number B-ED3030-PB

'A' length = 30mm

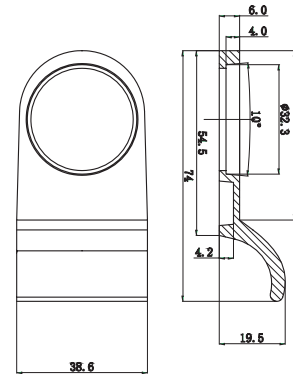
'B' length = 30mm

Total length = 70mm

For thumb turn cylinders, the first size on the product code indicates the side the thumb turn is on.

E.g. Part Number: B-ET3545-PB.

The thumb turn is on the 35mm side



	Item Code	Barcode	Description	Finish	Packaging
Euro Double	YES-ED-3535PB	5011802251731	YALE ESSENTIALS EURO CYL 35:35 (70MM)	PB	Visi Packed
	YES-ED-3545PB	5011802251748	YALE ESSENTIALS EURO CYL 35:45 (80MM)	PB	Visi Packed
	YES-ED-3550PB	5011802251779	YALE ESSENTIALS EURO CYL 35:50 (85MM)	PB	Visi Packed
	YES-ED-4040PB	5011802251762	YALE ESSENTIALS EURO CYL 40:40 (80MM)	PB	Visi Packed
	YES-ED-4045PB	5011802251786	YALE ESSENTIALS EURO CYL 40:45 (85MM)	PB	Visi Packed

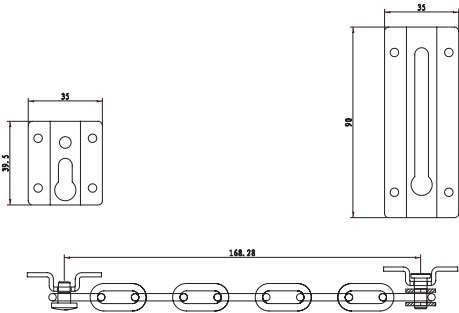
Item Code	Catalogue Code	Barcode	Description	Finish	Packaging
YES-CYLPULL-CH	YES-CYLPULL-CH	5011802251854	YALE ESSENTIALS CYLINDER PULL CH	CH	Visi Packed
YES-CYLPULL-PB	YES-CYLPULL-PB	5011802251847	YALE ESSENTIALS CYLINDER PULL PB	PB	Visi Packed

Essentials Door Chain



Features

- Helps identify a caller before the door is fully released
- Surface fitted security accessory
- Suitable for wooden doors

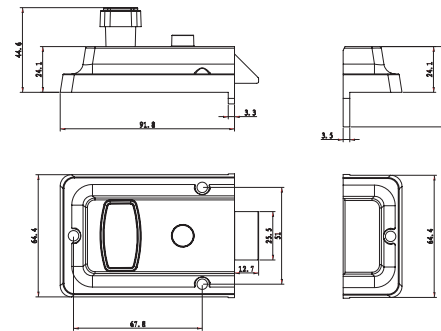


Essentials Nightlatch



Features

- Snib to deadlock or hold back the latch
- Supplied with 1109 Rim Cylinder (page 30)



Item Code	Catalogue Code	Barcode	Description	Finish	Packaging
YES-DC-CH	YES-DC-CH	5011802242074	YALE ESSENTIALS DOOR CHAIN CH	CH	Visi Packed
YES-DC-PB	YES-DC-PB	5011802242067	YALE ESSENTIALS DOOR CHAIN PB	PB	Visi Packed

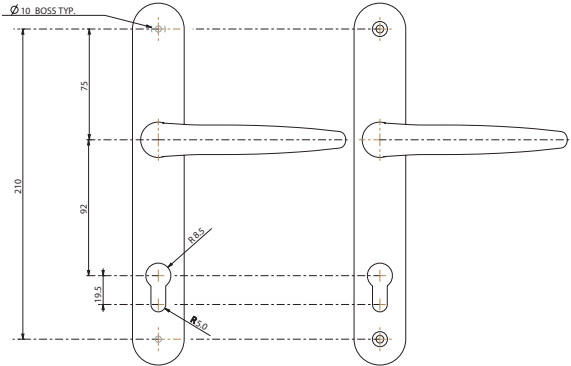
Item Code	Catalogue Code	Barcode	Description	Size	Lock Finish	Lock Finish	Packaging
YES-NL-CH	YES-NL-CH	5011802251656	YALE ESSENTIALS NIGHTLATCH CHROME	60	CH	CH	Visi Packed
YES-NL-GR	YES-NL-GR	5011802241961	YALE ESSENTIALS NIGHTLATCH 60MM GREEN	60	GR	GR	Visi Packed
YES-NL-PB	YES-NL-PB	5011802241978	YALE ESSENTIALS NIGHTLATCH 60MM POLISHED BRASS	60	PB	PB	Visi Packed

Essentials Long Plate Door Handle



Features

- Ergonomic design with sleek aesthetics
- Incorporates patented spring cassette which eliminates the 'drooping handle' effect
- Cycle tested to 50,000 cycles
- Corrosion tested to BS EN 1670
- Supplied complete with spring cassette, fixing screws and spindles

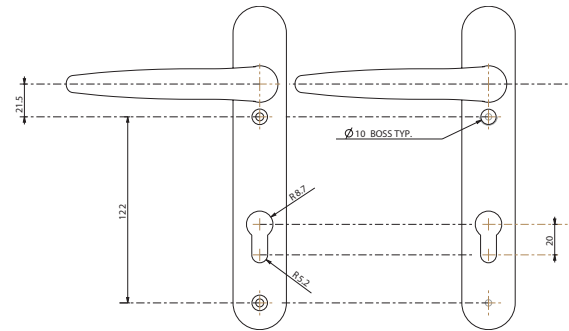


Essentials Short Plate Door Handle



Features

- Ergonomic design with sleek aesthetics
- Incorporates patented spring cassette which eliminates the 'drooping handle' effect
- Cycle tested to 50,000 cycles
- Corrosion tested to BS EN 1670
- Supplied complete with spring cassette, fixing screws and spindles



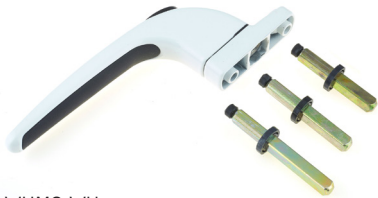
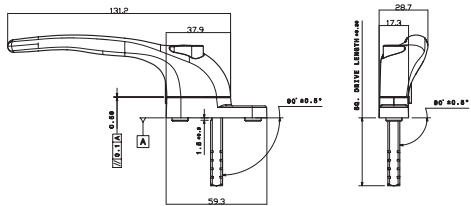
Item Code	Catalogue Code	Barcode	Description	Finish	Packaging
YES-LBDH-PC	YES-LBDH-PC	5011802311237	YALE ESSENTIALS LONG BACKPLATE DOOR HANDLE CHROME	CH	Visi Packed
YES-LBDH-PG	YES-LBDH-PG	5011802311220	YALE ESSENTIALS LONG BACKPLATE DOOR HANDLE GOLD	GL	Visi Packed
YES-LBDH-WH	YES-LBDH-WH	5011802311213	YALE ESSENTIALS LONG BACKPLATE DOOR HANDLE WHITE	WH	Visi Packed

Item Code	Catalogue Code	Barcode	Description	Finish	Packaging
YES-SBDH-PC	YES-SBDH-PC	5011802311190	YALE ESSENTIALS SHORT BACKPLATE DOOR HANDLE CHROME	PC	Visi Packed
YES-SBDH-WH	YES-SBDH-WH	5011802311206	YALE ESSENTIALS SHORT BACKPLATE DOOR HANDLE WHITE	WH	Visi Packed
YES-DHCPK	YES-DHCPK	5011802311244	YALE ESSENTIALS DOOR HANDLE AND CYLINDER (70MM BRASS) PACK	WH	Visi Packed

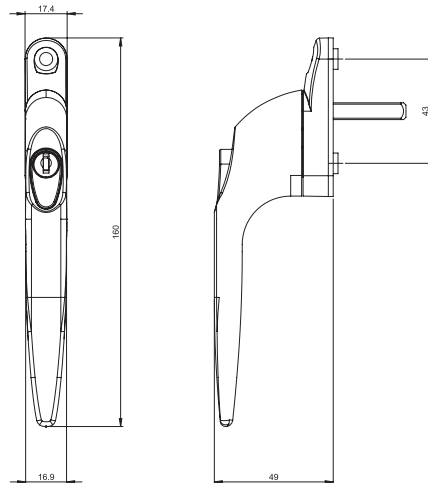
Essentials PVCu Window Handle



YES-WINH-WH



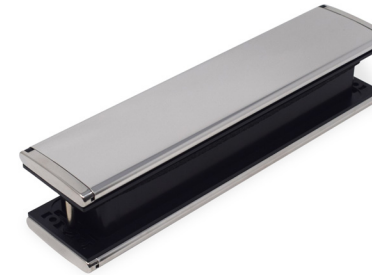
YES-WHMS-WH



Features

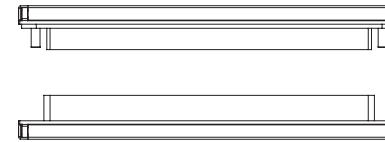
- Smooth and durable sprung lever action
- Easy to fit

Essentials Letterplate

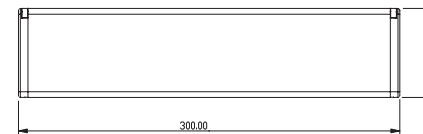


Features

- Flaps open to 180 degrees, eliminating any excess leverage on pivot points
- Stainless steel return spring to ensure a continuous positive return action
- External flap has a complete peripheral seal that also forms a full thermal and acoustic barrier
- Cycle tested to 100,000 operations
- Detachable high security screw boss for alternative direct face fixing to panel



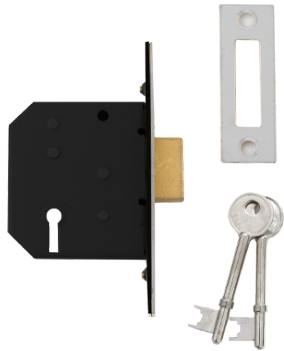
20-40 Letter Box 2003-2004 and 2006



Item Code	Catalogue Code	Barcode	Description	Finish	Packaging
YES-WINH-WH	YES-WINH-WH	5011802251830	YALE ESSENTIALS PVCU WINDOW HANDLE WH	WH	Visi Packed
YES-WH5PK	YES-WH5PK	5011802311251	YALE ESSENTIALS WINDOW HANDLE WHITE PACK OF 5	WH	Visi Packed
YES-WHMS-PC	YES-WHMS-PC	5011802309531	PVCU INLINE MULTIPLE SPINDLE WINDOW HANDLE CHROME	PC	Visi Packed
YES-WHMS-PG	YES-WHMS-PG	5011802309548	PVCU INLINE MULTIPLE SPINDLE WINDOW HANDLE GOLD	PG	Visi Packed
YES-WHMS-WH	YES-WHMS-WH	5011802309524	PVCU INLINE MULTIPLE SPINDLE WINDOW HANDLE WHITE	WH	Visi Packed

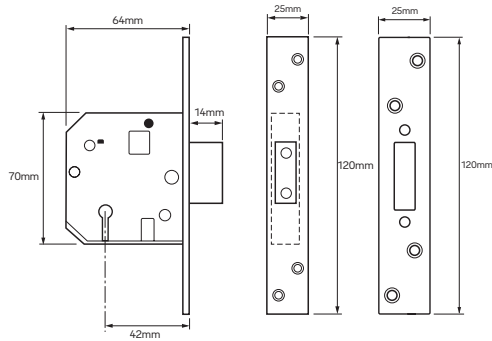
Item Code	Catalogue Code	Barcode	Description	Finish	Packaging
YES-LP-CHCH	YES-LP-CHCH	5011802313309	YALE ESSENTIALS LETTERPLATE CHROME/ CHROME	CH	Visi Packed
YES-LP-GOGO	YES-LP-GOGO	5011802313316	YALE ESSENTIALS LETTERPLATE GOLD/ GOLD	GL	Visi Packed
YES-LP-SCBK	YES-LP-SCBK	5011802311299	YALE ESSENTIALS 12" LETTERPLATE CHROME/ BLACK	CH	Visi Packed
YES-LP-SGBK	YES-LP-SGBK	5011802311282	YALE ESSENTIALS 12" LETTERPLATE GOLD/ BLACK	GL	Visi Packed
YES-LP-WHBK	YES-LP-WHBK	5011802311183	YALE ESSENTIALS 12" LETTERPLATE WHITE/ BLACK	WH	Visi Packed
YES-LP-WHWH	YES-LP-WHWH	5011802311176	YALE ESSENTIALS 12" LETTERPLATE WHITE/ WHITE	WH	Visi Packed

Essentials 5 Lever Deadlock



Features

- Suitable for use on external wooden doors
- Deadbolt locked and unlocked by key from either side
- Available in 67mm (2.5") backset
- Available in polished brass or polished chrome finish

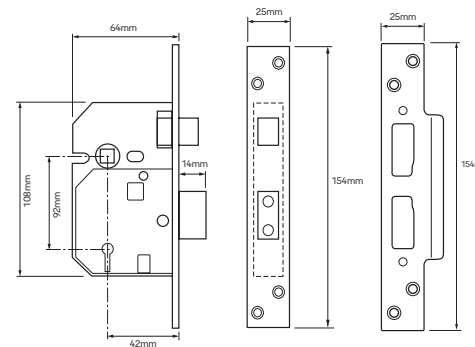


Essentials 5 Lever Sashlock



Features

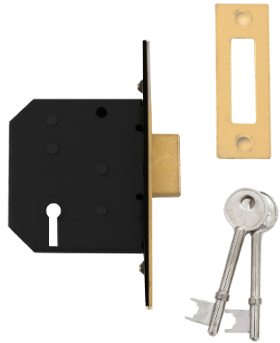
- Deadbolt locked and unlocked by key from either side
- Suitable for use on external wooden doors
- Sashlock for use with door handles and latchbolt withdrawn by lever handle from either side, easy to reverse latch bolt
- Available in 67mm (2.5") backset
- Available in polished brass or polished chrome finish



Item Code	Catalogue Code	Barcode	Description	Finish	Packaging
YES-5LDL-CH-64	YES-5LDL-CH-64	5011802252684	YALE ESSENTIALS 5L DEADLOCK 64MM CH	CH	Visi Packed
YES-5LDL-PB-64	YES-5LDL-PB-64	5011802252691	YALE ESSENTIALS 5L DEADLOCK 64MM PB	PB	Visi Packed

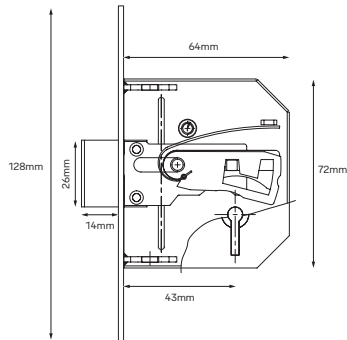
Item Code	Catalogue Code	Barcode	Description	Finish	Packaging
YES-5LSL-CH-64	YES-5LSL-CH-64	5011802251717	YALE ESSENTIALS 5L SASHLOCK 64MM CH	CH	Visi Packed
YES-5LSL-PB-64	YES-5LSL-PB-64	5011802251700	YALE ESSENTIALS 5L SASHLOCK 64MM PB	PB	Visi Packed

Essentials 3 Lever Deadlock

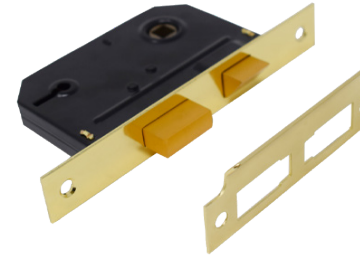


Features

- Suitable for use on internal wooden doors
- Deadbolt locked and unlocked by key from either side
- Available in 67mm (2.5") backset
- Available in polished brass or polished chrome finish

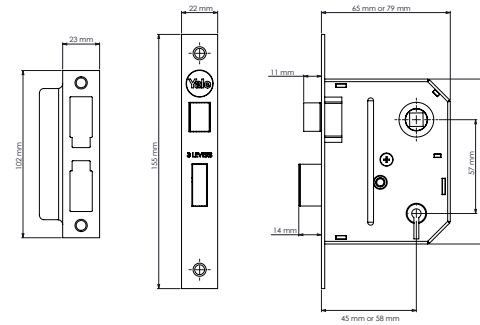


Essentials 3 Lever Sashlock



Features

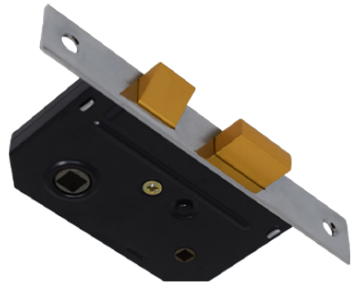
- Suitable for use on internal wooden doors
- Deadbolt locked and unlocked by key from either side
- Sashlock for use with door handles and latchbolt withdrawn by lever handle from either side
- Available in 67mm (2.5") backset
- Available in polished brass or polished chrome finish



Item Code	Catalogue Code	Barcode	Description	Finish	Packaging
YES-DL-CH-64	YES-DL-CH-64	5011802251663	YALE ESSENTIALS DEADLOCK 64MM CH	CH	Visi Packed
YES-DL-PB-64	YES-DL-PB-64	5011802242111	YALE ESSENTIALS DEADLOCK 64MM PB	PB	Visi Packed

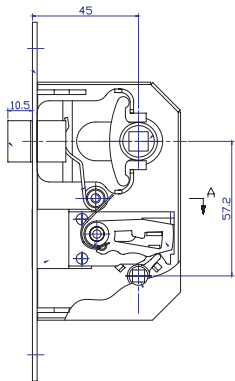
Item Code	Catalogue Code	Barcode	Description	Finish	Packaging
YES-SL-CH-64	YES-SL-CH-64	5011802241992	YALE ESSENTIALS SASHLOCK 64MM CH	CH	Visi Packed
YES-SL-PB-64	YES-SL-PB-64	5011802241985	YALE ESSENTIALS SASHLOCK 64MM PB	PB	Visi Packed

Essentials Bathroom Lock



Features

- Suitable for use on bathroom doors or other internal doors where privacy is required
- Latchbolt withdrawn by lever handle form either side
- Not suitable for use with unsprung lever handles
- Available in 64mm (2.5") backset
- Available in polished chrome

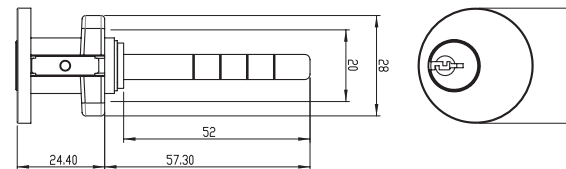


Essentials Rim Cylinder



Features

- Replacement 5 pin Rim Cylinder
- Compatible with any brand of nightlatches
- Suitable for doors 38mm to 57mm in thickness
- Provides key access from one side of the door
- Available in polished chrome and polished brass



Item Code	Catalogue Code	Barcode	Description	Finish	Packaging
YES-BL-CH-64	YES-BL-CH-64	5011802242104	YALE ESSENTIALS BATHROOM LOCK CH	CH	Visi Packed

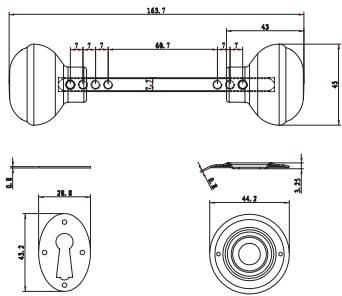
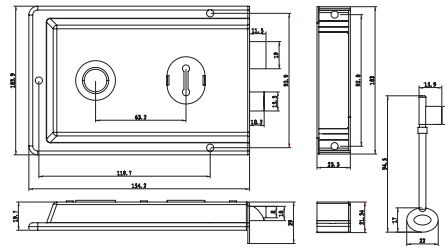
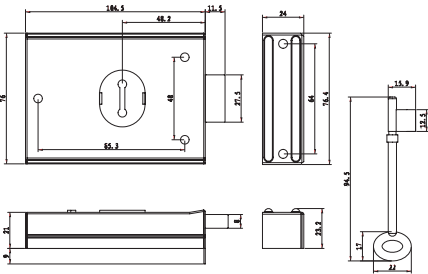
Item Code	Catalogue Code	Barcode	Description	Finish	Packaging
YES-RC-CH	YES-RC-CH	5011802242098	YALE ESSENTIALS RIM CYLINDER CH	CH	Visi Packed
YES-RC-PB	YES-RC-PB	5011802242081	YALE ESSENTIALS RIM CYLINDER PB	PB	Visi Packed

Essentials Rim Lock



Features

- For use in internal doors, shed and gates
- Deadlock operation by key, sashlock operation by key and knobs
- Suitable for both left and right handed doors

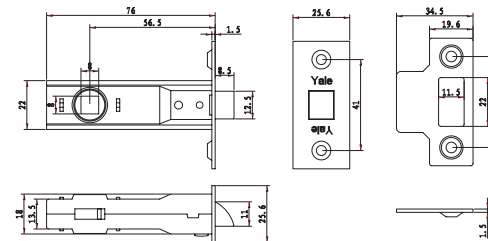
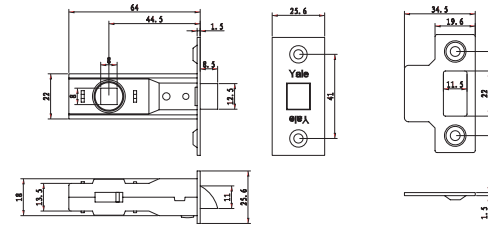


Essentials Tubular Latch



Features

- Suitable for internal doors where no locking is required
- Latchbolt withdrawn by sprung lever handle from either side
- Not suitable for unsprung lever handles
- Available in 64mm (2.5")
- Available in polished brass or polished chrome finish



Item Code	Catalogue Code	Barcode	Description	Finish	Packaging
YES-RD-BL	YES-RD-BL	5011802251816	YALE ESSENTIALS RIM DEADLOCK BK	BL	Visi Packed
YES-RK-BL	YES-RK-BL	5011802260290	YALE ESSENTIALS RIM KNOB	BL	Visi Packed
YES-RS-BL	YES-RS-BL	5011802242043	YALE ESSENTIALS RIM SASHLOCK BLACK	BL	Visi Packed

Item Code	Catalogue Code	Barcode	Description	Finish	Packaging
YES-TL-CH-64	YES-TL-CH-64	5011802242012	YALE ESSENTIALS TUBULAR LATCH 64MM CH	CH	Visi Packed
YES-TL-PB-64	YES-TL-PB-64	5011802242005	YALE ESSENTIALS TUBULAR LATCH 64MM PB	PB	Visi Packed



Padlocks

Yale has a long heritage in Padlocks, with our first patent established in 1857. This reputation is built on a heritage of innovative products for commercial, residential and industrial use that are made to exacting standards, providing reliable security solutions.

Standard

Brass Padlocks



- Rigorously tested to simulate most forms of attack (sizes 30mm and above). This includes cutting, twisting and pulling of shackle
- Hardened steel shackles for 30mm and above Padlocks to prevent cutting
- Tested for corrosion resistance to ensure protection against weather conditions



Indoors



Lockers



Toolbox



Rucksack



Description	Brass padlock 15mm	Brass padlock 20mm	Brass padlock 25mm	Brass padlock 30mm	Brass padlock 40mm	Brass padlock 40mm	Brass padlock 50mm	Brass padlock 60mm
Part no.	Y110JB/15/111/4	Y110B/20/111/1	Y110B/25/113/1	Y110B/30/115/1	Y110B/40/122/1	Y110B/40/152/1	Y110B/50/126/1	Y110B/60/132/1
Locking points	Single locking	Single locking	Single locking	Double Locking	Double Locking	Double Locking	Double Locking	Double Locking
Shackle material	Steel	Steel	Steel	Hardened Steel	Hardened Steel	Hardened Steel	Hardened Steel	Hardened Steel
Vertical shackle clearance	14.5mm	11mm	13mm	17mm	22mm	53mm	29.5mm	31mm
Horizontal shackle clearance	8.2mm	11mm	14mm	15mm	22mm	22mm	27.5mm	32mm
Weight with keys (grams)	75g	45g	65g	90g	275g	610g	300g	425g
Dimensions (mm)	Body W: 20 Body H: 19 Body D: 13.3 Shackle Ø: 2.8	Body W: 21.4 Body H: 21.8 Body D: 10 Shackle Ø: 3.3	Body W: 25 Body H: 25.5 Body D: 11 Shackle Ø: 4.2	Body W: 30 Body H: 28.3 Body D: 13 Shackle Ø: 5	Body W: 40 Body H: 34.8 Body D: 14 Shackle Ø: 6.3	Body W: 40 Body H: 34.8 Body D: 14 Shackle Ø: 6.3	Body W: 50 Body H: 40.7 Body D: 17 Shackle Ø: 8	Body W: 60 Body H: 47.1 Body D: 18 Shackle Ø: 10
Corrosion resistance	96 hours	96 hours	96 hours	96 hours	96 hours	96 hours	96 hours	96 hours
Keys	3 keys	3 keys	3 keys	3 keys	3 keys	3 keys	3 keys	3 keys
Pins	3 pin cylinder	3 pin cylinder	4 pin cylinder	4 pin cylinder	5 pin cylinder	5 pin cylinder	5 pin cylinder	5 pin cylinder
CEN rating	-	-	-	1	1	1	2	2
Packs Available	4 Pack	4 Pack/2 Pack/1 Pack	4 Pack/2 Pack/1 Pack	4 Pack/2 Pack/1 Pack	4 Pack/2 Pack/1 Pack	1 Pack	1 Pack	1 Pack

Standard

Brass Combination Padlocks



- Rigorously tested to simulate most forms of attack (sizes 30mm and above). This includes cutting, twisting and pulling of shackle
- Steel shackles for 30mm and above Padlocks to prevent cutting
- Tested for corrosion resistance to ensure protection against weather conditions



Indoors



Lockers



Toolbox



Rucksack

Description	Brass combination padlock 22mm	Brass combination padlock 30mm	Brass combination padlock 40mm
Part no.	Y150B/22/120/1	Y150B/30/125/1	Y150B/40/130/1
Locking points	Single locking	Single locking	Single locking
Shackle material	Steel	Steel	Steel
Vertical shackle clearance	22	27	29
Horizontal shackle clearance	9	14	20
Weight with keys (grams)	50g	150g	240g
Dimensions (mm)	Body W: 23 Body H: 33 Body D: 10 Shackle Ø: 3	Body W: 32 Body H: 43 Body D: 13 Shackle Ø: 5	Body W: 40 Body H: 50 Body D: 14 Shackle Ø: 6
Corrosion resistance	48 hours	48 hours	48 hours
Dials	3 dials	3 dials	4 dials
Packs Available	1 & 2 Pack	1 Pack	1 Pack

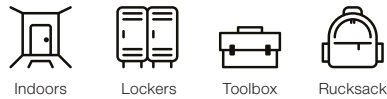


Standard

Aluminium & Combination Padlocks



- Rigorously tested to simulate most forms of attack (sizes 30mm and above). This includes cutting, twisting and pulling of shackle
- Hardened steel shackles for Padlock sizes 30mm to prevent cutting
- Tested for corrosion resistance to ensure protection against weather conditions



Description	Aluminium Padlock 32mm	Aluminium Padlock 38mm	Aluminium Padlock 50mm	Aluminium Combination Padlock 20mm	Aluminium Combination Padlock 28mm	Aluminium Combination Padlock 38mm
Part no.	Pink: YE3B/32/116/1/P	Black: YE3B/38/119/1/BK	Teal: YE3B/38/156/1/TE	Black: YE3CB/20/121/1/BK	Black: YE3CB/28/126/1/BK	Black: YE3CB/38/131/1/BK
Locking points	Double locking	Double locking	Double locking	Single locking	Single locking	Single locking
Body material	Aluminium	Aluminium	Aluminium	Aluminium	Aluminium	Aluminium
Shackle material	Hardened Steel	Hardened Steel	Hardened Steel	Steel	Steel	Steel
Vertical shackle clearance	16mm	21mm	56mm	21mm	28mm	31mm
Horizontal shackle clearance	17mm	20mm	20mm	9mm	12mm	19mm
Weight with keys (grams)	70g	90g	120g	15g	55g	90g
Dimensions (mm)	Body W: 36 Body H: 31 Body D: 17 Shackle Ø: 5	Body W: 42 Body H: 35 Body D: 18 Shackle Ø: 6	Body W: 42 Body H: 35 Body D: 18 Shackle Ø: 6	Body W: 21 Body H: 33 Body D: 10 Shackle Ø: 3	Body W: 29 Body H: 44 Body D: 13 Shackle Ø: 5	Body W: 38 Body H: 53 Body D: 13 Shackle Ø: 6
Corrosion resistance	48 hours	48 hours	48 hours	48 hours	48 hours	48 hours
Keys	3 keys	3 keys	3 keys	3 dials	3 dials	4 dials
Pins	5 pin cylinder	5 pin cylinder	5 pin cylinder	-	-	-
CEN rating	1	1	1	-	-	-

High

Brass Shutter



- Rigorously tested to simulate most forms of attack. This includes cutting, twisting and pulling of shackle
- Tested up to 96 hours for corrosion resistance to ensure protection against extreme weather conditions
- Double locking for Padlock sizes 30mm and above for added security
- Closed Boron shackle Padlocks to prevent cutting



Outdoors



Gates



Ladders



Shutter doors

Description	Brass shutter padlock 60mm	Brass shutter padlock 70mm
Part no.	Y114B/60/114/1	Y114B/70/113/1
Locking points	N/A	N/A
Shackle material	Hardened Steel	Hardened Steel
Vertical shackle clearance	15mm	13mm
Horizontal shackle clearance	26mm	32mm
Weight with keys (grams)	345g	500g
Dimensions (mm)	Body W: 60 Body H: 54 Body D: 18 Shackle Ø: 9	Body W: 70 Body H: 59 Body D: 20 Shackle Ø: 10
Corrosion resistance	96 hours	96 hours
Keys	3 keys	3 keys
Pins	5 pin cylinder	5 pin cylinder
CEN rating	2	3



High

Brass Padlocks with Chrome Finish



- Rigorously tested to simulate most forms of attack. This includes cutting, twisting and pulling of shackle
- Tested up to 240 hours for corrosion resistance to ensure protection against extreme weather conditions
- Double locking for Padlock sizes 30mm and above for added security
- Closed Boron shackle prevents cutting



Outdoors



Boats



Sheds



Trailers

Description	Brass Padlock with Chrome Finish 50mm
Part no.	Y120B/50/127/1
Locking points	Double locking
Shackle material	Boron
Vertical shackle clearance	28mm
Horizontal shackle clearance	27mm
Weight with keys (grams)	325g
Dimensions (mm)	Body W: 50 Body H: 47 Body D: 17 Shackle Ø: 7
Corrosion resistance	240 hours
Keys	3 keys
Pins	5 pin cylinder
CEN rating	2



High

Brass & Laminated Steel Padlock



- Rigorously tested to simulate most forms of attack. This includes cutting, twisting and pulling of shackle
- Tested up to 96 hours for corrosion resistance to ensure protection against extreme weather conditions
- Double locking for Padlock sizes 30mm and above for added security
- Closed Boron shackle prevents cutting



Outdoors



Gates



Ladders



Shutter doors



Description	Brass padlock closed shackle 40mm	Brass padlock closed shackle 50mm	Laminated Steel Padlock 40mm	Laminated Steel Padlock 40mm	Laminated Steel Padlock 50mm	Laminated Steel Padlock 60mm
Part no.	Y121B/40/125/1	Y121B/50/132/1	Y125B/40/122/1	Y125B/40/163/1	Y125B/50/129/1	Y125B/60/133/1
Locking points	Double locking Brass latch	Double locking Brass latch	Double locking Stainless steel ball	Double locking Stainless steel ball	Double locking Stainless steel ball	Double locking Stainless steel ball
Shackle material	Boron	Boron	Hardened Steel	Hardened Steel	Hardened Steel	Hardened Steel
Vertical shackle clearance	20.4mm	20.3mm	28mm	63mm	30mm	33mm
Horizontal shackle clearance	20.8mm	24mm	20mm	20mm	22mm	28mm
Weight with keys (grams)	200g	360g	225g	275g	375g	650g
Dimensions (mm)	Body W: 46 Body H: 70 Body D: 20 Shackle Ø: 7	Body W: 57 Body H: 82.2 Body D: 24 Shackle Ø: 9.5	Body W: 47 Body H: 40 Body D: 29 Shackle Ø: 6	Body W: 47 Body H: 40 Body D: 29 Shackle Ø: 6	Body W: 56 Body H: 44 Body D: 32 Shackle Ø: 9.5	Body W: 66 Body H: 50 Body D: 36 Shackle Ø: 11
Corrosion resistance	96 hours	96 hours	120 hours	120 hours	120 hours	120 hours
Keys	3 keys	3 keys	3 keys	3 keys	3 keys	3 keys
Pins	5 pin cylinder	5 pin cylinder	5 pin cylinder	5 pin cylinder	5 pin cylinder	5 pin cylinder
CEN rating	2	2	2	2	3	3
Multi Pack Available	1 Pack	1 Pack	3 Pack & 1 Pack	1 Pack	1 Pack	1 Pack

High

Weatherproof Padlocks



- Rigorously tested to simulate most forms of attack. This includes cutting, twisting and pulling of shackle
- Tested up to 96 hours for corrosion resistance to ensure protection against extreme weather conditions
- Double locking for Padlock sizes 30mm and above for added security
- Closed Boron shackle prevents cutting



Outdoors



Boats



Sheds



Trailers



Description	Weatherproof padlock 51mm	Weatherproof padlock closed shackle 51mm	Weatherproof padlock 61mm	Weatherproof padlock 71mm
Part no.	Y220B/51/118/1	Y221B/52/125/1	Y220B/61/123/1	Y220B/71/130/1
Locking points	Double locking Stainless steel ball	Double locking Stainless steel ball	Double locking Stainless steel ball	Double locking Stainless steel ball
Shackle material	Hardened Steel	Hardened Steel	Hardened Steel	Hardened Steel
Vertical shackle clearance	24mm	22mm	27mm	29mm
Horizontal shackle clearance	18mm	18mm	21mm	26mm
Weight with keys (grams)	300g	515g	455g	700g
Dimensions (mm)	Body W: 53 Body H: 50 Body D: 35 Shackle Ø: 9	Body W: 53 Body H: 82 Body D: 35 Shackle Ø: 9	Body W: 62 Body H: 55 Body D: 38 Shackle Ø: 12	Body W: 72 Body H: 60 Body D: 43 Shackle Ø: 13
Corrosion resistance	120 hours	120 hours	120 hours	120 hours
Keys	3 keys	3 keys	3 keys	3 keys
Pins	5 pin cylinder	5 pin cylinder	5 pin cylinder	5 pin cylinder
CEN rating	2	2	2	3
Multi Pack Available	3 Pack	1 Pack	1 Pack	1 Pack

Maximum

Laminated & Weatherproof Padlocks



- Tested up to 240 hours for corrosion resistance to ensure protection against extreme weather conditions
- Closed Boron shackle prevents cutting
- All Padlocks have double locking for added security



Outdoors



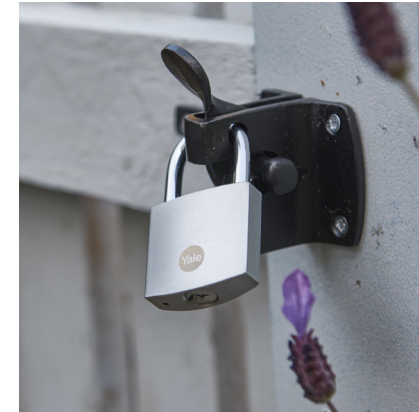
Boats



Sheds



Trailers



Description	Protector laminated padlock 45mm	Protector laminated padlock 55mm	Protector weatherproof padlock 45mm	Protector weatherproof padlock 55mm	Stainless Steel Discus Padlock
Part no.	Y127B/45/125/1	Y127B/55/129/1	Y227B/45/122/1	Y227B/55/126/1	YE130/70/165/1
Locking points	Double locking Stainless steel ball	Double locking Stainless steel ball	Double locking Stainless steel ball	Double locking Stainless steel ball	Double locking, key retaining
Shackle material	Boron	Boron	Boron	Boron	Hardened steel
Vertical shackle clearance	28mm	30mm	25mm	28mm	19mm
Horizontal shackle clearance	20mm	22mm	20mm	22mm	24mm
Weight with keys (grams)	275g	425g	265g	425g	250g
Dimensions (mm)	Body W: 47 Body H: 44 Body D: 28 Shackle Ø: 6	Body W: 56 Body H: 47 Body D: 33 Shackle Ø: 9	Body W: 47 Body H: 47 Body D: 28 Shackle Ø: 6	Body W: 56 Body H: 49 Body D: 33 Shackle Ø: 10	Body Dia: 70 Body D: 27.5 Shackle Ø: 9.5
Corrosion resistance	120 hours	120 hours	120 hours	120 hours	240 hours
Keys	3 keys	3 keys	3 keys	3 keys	3 keys
Pins	5 pin cylinder	5 pin cylinder	5 pin cylinder	5 pin cylinder	5 pin cylinder
CEN rating	2	3	2	3	3

Maximum

Weatherproof Padlocks



- Rigorously tested to simulate extreme forms of attack which includes drilling and sawing of the body and cutting, pulling, twisting of the shackle
- Tested up to 240 hours for corrosion resistance to ensure protection against extreme weather conditions
- Closed Boron shackle prevents cutting
- All Padlocks have double locking for added security



Outdoors



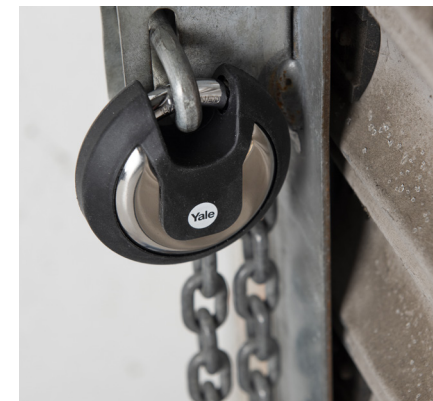
Boats



Sheds



Trailers



Description	Hardened Steel Padlock 48mm	Hardened Steel Padlock Closed Shackle 62mm	Hardened Steel Padlock 62mm	Hardened Steel Padlock 70mm
Part no.	Y90SB/45/129/1	Y300CB/63/127/1	Y300B/63/127/1	Y130B/70/116/1
Locking points	Double locking Stainless steel ball	Double locking Stainless steel ball	Double locking Stainless steel ball	Double locking, key retaining
Shackle material	Boron	Boron	Boron	Hardened steel
Vertical shackle clearance	19mm	27mm	27mm	18mm
Horizontal shackle clearance	22mm	21mm	32mm	21mm
Weight with keys (grams)	375g	625g	575g	266g
Dimensions (mm)	Body W: 48 Body H: 56 Body D: 19 Shackle Ø: 9	Body W: 62 Body H: 94 Body D: 20 Shackle Ø: 11	Body W: 62 Body H: 59 Body D: 20 Shackle Ø: 11	Body Dia: 74 Body D: 31.6 Shackle Ø: 9.5
Corrosion resistance	240 hours	240 hours	240 hours	240 hours
Keys	3 keys	3 keys	3 keys	3 keys
Pins	6 pin cylinder	6 pin cylinder	6 pin cylinder	5 pin cylinder
CEN rating	4	4	4	3

Standard

Combination Padlocks



- 3 dials
- 10,000 reset-able combinations



Indoors



Lockers



Suitcase



Rucksack



Description	Luggage Padlock	Luggage Padlock	Luggage Padlock	Luggage Padlock	Luggage Padlock
Part no.	YP1/28/121/1G	YP1/28/121/1R	YP2/23/128/1G	YP2/23/128/1Y	YP2/23/128/1R
Shackle material	Steel	Steel	Steel	Steel	Steel
Vertical shackle clearance	16mm	16mm	22mm	22mm	22mm
Horizontal shackle clearance	11.4mm	11.4mm	11.4mm	11.4mm	11.4mm
Weight with keys (grams)	0.05	0.05	0.05	0.05	0.05
Dimensions (mm)	Body W: 28.2 Body H: 34 Body D: 11.2 Shackle Ø: 4	Body W: 28.2 Body H: 34 Body D: 11.2 Shackle Ø: 4	Body W: 23 Body H: 34 Body D: 12 Shackle Ø: 3	Body W: 23 Body H: 34 Body D: 12 Shackle Ø: 3	Body W: 23 Body H: 34 Body D: 12 Shackle Ø: 3

Standard

Combination Padlocks



- 3 dials
- 10,000 reset-able combinations



Indoors



Lockers



Suitcase



Rucksack

Description

TSA Padlock with inspection indicator

TSA recognized Luggage Padlock with wire shackle

Part no.

YTP1/32/119/1

YTP3/32/350/1

Shackle material

Nickel plated (no polishing, no brushing)

Nickel plated (no polishing, no brushing)

Vertical shackle clearance

-

53mm

Horizontal shackle clearance

-

19.5mm

Weight with keys (grams)

0.06

0.066

Dimensions (mm)

Body W: 41.6
Body H: 48.8
Body D: 20.7
Shackle Ø: 3

Body W: 32
Body H: 38
Body D: 15
Shackle Ø: 2.4



Standard

Combination Padlocks



Outdoors



Boats



Sheds



Trailers



	Combination Padlock, 48mm	Combination Bolt, 150mm	Combination Padlock with Protective Cover	Shed Pack
Description				
Part no.	Y160/48/123/1	Y600/120/1	Y879/55/130/1	P-SHPK-01
Shackle material	Zinc Alloy	Zinc Alloy	Zinc Alloy	Padlock: Hardened Steel
Vertical shackle clearance	31.5mm	-	26mm	-
Horizontal shackle clearance	45mm	-	26mm	-
Weight with keys (grams)	0.17	0.37	0.25	0.05
Dimensions (mm)	Body W: 69 Body H: 33 Body D: 27 Shackle Ø: 7	Body W: 30 Body H: 150 Body D: 50 Shackle Ø: NA	Body W: 55 Body H: 67 Body D: 32 Shackle Ø: 8	Body W: 23 Body H: 34 Body D: 12 Shackle Ø: 3

Brass Shutter, Laminated & Weatherproof Padlocks



Outdoors

Sheds

Trailers



Description	90mm Steel Hasp	120mm Steel Hasp	160mm Hardened Steel Hasp	Locking Hasp	60mm Steel anchor
Part no.	Y105B/90/BK	Y135B/120/BK	Y155B/160/BK	Y116B/115/BC	Y730B/60/23/1
Body material	Steel	Steel	Steel	Steel	Steel
Dimensions (mm)	Hasp W: 37 Hasp H: 90 Anchor W: 32 Anchor H: 31 Anchor Shackle Ø: 12.6	Hasp W: 45.8 Hasp H: 120 Anchor W: 38 Anchor H: 42 Anchor Shackle Ø: 13	Hasp W: 46 Hasp H: 88/68.8/45.2 Anchor W: 44 Anchor H: 42 Anchor Shackle Ø: 13	Hasp W: 41.4 Hasp H: 114	Anchor Ø: 54.5 Anchor Shackle Ø: 15.2 Anchor base Ø: 60 Anchor case Ø: 58
Suitable for	Standard Security Padlock	High/Maximum Security Padlock	Maximum Security Padlock	Padlock not required, comes with own lock	High/Maximum Security Padlock

Hasps & Padlocks

Description	Hasp & 40mm Brass Padlock	Hasp & 51mm Weatherproof Padlock
Part no.	Y110B/40/123/1/HSP comes with padlock Y110B/40/122/1 and hasp Y135B/120/BK	Y220B/51/118/HSP comes with padlock Y220B/51/118/1 and hasp Y155B/160/BK



Commercial Zinc Padlocks



Item Code	Catalogue Code	Barcode	Description	Packaging
700713001102	B-713	5010608971300	Commercial Zinc Padlock	Boxed
700713401102	B-713LS	5010608550253	Commercial Zinc Long Shackle Padlock	Boxed
700714001102	B-714	5010608971409	Commercial Zinc Padlock	Boxed
700713008102	BW-713	5010609055061	Commercial Zinc Padlock	Boxed
700713408102	BW-713LS	5010609055078	Commercial Zinc Long Shackle Padlock	Boxed
700714008102	BW-714	5010609055085	Commercial Zinc Padlock	Boxed
700714408102	BW-714LS	5010609055092	Commercial Zinc Long Shackle Padlock	Boxed

Bronze Weatherproof Padlock



Item Code	Catalogue Code	Barcode	Description	Packaging
690083001027	B-830	5010608557634	Bronze Weatherproof Padlock	Boxed
690083101027	B-831	5010608557641	Bronze Weatherproof Padlock	Boxed
690084001027	B-840	5010608557658	Bronze Weatherproof Padlock	Boxed
690085001027	B-850	5010608557672	Bronze Weatherproof Padlock	Boxed
690085051027	B-L850	5010608557689	Bronze Weatherproof Close Shackle Padlock	Boxed
690085101027	B-851	5010608557696	Bronze Weatherproof Padlock	Boxed
690087001027	B-870	5010608557702	Bronze Weatherproof Padlock	Boxed
690087101027	B-871	5010608557719	Bronze Weatherproof Padlock	Boxed
700713008102	BW-713	5010609055061	Commercial Zinc Padlock	Boxed
690730008024	BW-730	5010609049237	Commercial Brass Padlock	Boxed
690731008024	BW-731	5010609049244	Commercial Brass Padlock	Boxed
690750008024	BW-750	5010609049251	Commercial Brass Padlock	Boxed
690751008024	BW-751	5010609049275	Commercial Brass Padlock	Boxed
690770008024	BW-770	5010609049282	Commercial Brass Padlock	Boxed
690083008027	BW-830	5010609054873	Commercial Brass Padlock	Boxed
690083108027	BW-831	5010609054880	Commercial Brass Padlock	Boxed
690083148027	BW-831LS	5010609054897	Commercial Brass Padlock LS 2"	Boxed
690084008027	BW-840	5010609054910	Commercial Brass Padlock	Boxed
690085008027	BW-850	5010609054934	Commercial Brass Padlock	Boxed
690085048027	BW-850LS	5010609054941	Commercial Brass Padlock LS 2"	Boxed
690085058027	BW-L850	5010609054958	Bronze Weatherproof Close Shackle Padlock	Boxed
690085108027	BW-851	5010609054972	Bronze Weatherproof Padlock	Boxed
690087008027	BW-870	5010609055016	Bronze Weatherproof Padlock	Boxed
690087108027	BW-871	5010609055023	Bronze Weatherproof Padlock	Boxed



Item Code	Catalogue Code	Barcode	Description	Packaging
690730001024	B-730	5010608557788	Commercial Brass Padlock	Boxed
690750001024	B-750	5010608557801	Commercial Brass Padlock	Boxed

Bronze Weatherproof Padlock



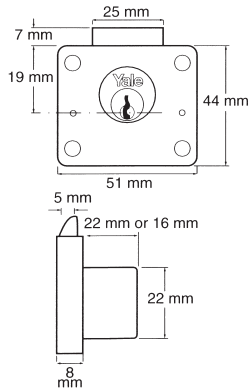
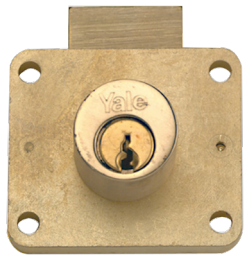
Commercial Padlocks Masterkey



Item Code	Catalogue Code	Barcode	Description	Packaging
890082108027	BM-821	5010609063929	Commercial Brass Padlock (4.76mm PG Shackle)	Boxed
890083008027	BM-830	5010609063943	Commercial Brass Padlock (6.35mm CP Shackle)	Boxed
890083108027	BM-831	5010609063967	Commercial Brass Padlock (6.35mm CP Shackle)	Boxed
890084008027	BM-840	5010609063998	Commercial Brass Padlock (8mm CP Shackle)	Boxed
890084108027	BM-841	5010609064018	Commercial Brass Padlock (8mm PG Shackle)	Boxed
890085008027	BM-850	5010609064032	Commercial Brass Padlock (9.5mm CP Shackle)	Boxed
890085048027	BM-850LS	5010609064056	Commercial Brass Padlock 2" Long Shackle (9.5mm CP Shackle)	Boxed
890085058027	BM-L850	5010609064063	Commercial Brass Padlock (9.5mm CP Close Shackle)	Boxed
890085108027	BM-851	5010609064087	Commercial Brass Padlock (9.5mm PG Shackle)	Boxed
890085148027	BM-851LS	5010609064100	Commercial Brass Padlock 2" Long Shackle (9.5mm PG Shackle)	Boxed
890087008027	BM-870	5010609064162	Commercial Brass Padlock (11mm CP Shackle)	Boxed
895083008027	BM-830KR	5010609064575	Commercial Brass Padlock Key Removeable with Shackle Open (6.35mm CP Shackle)	Boxed
890083048027	BM-830LS	5010609063950	Commercial Brass Padlock 2" Long Shackle (6.35mm CP Shackle)	Boxed
895083108027	BM-831KR	5010609064582	Commercial Brass Padlock Key Removeable with Shackle Open (6.35mm CP Shackle)	Boxed
895084008027	BM-840KR	5010609064599	Commercial Brass Padlock Key Removeable with Shackle Open (8mm CP Shackle)	Boxed
895085008027	BM-850KR	5010609064629	Commercial Brass Padlock Key Removeable with Shackle Open (9.5mm CP Shackle)	Boxed
891185008027	PK-850	5010609064254	Commercial Padlock 850 BRZ Padlock (2001)	Boxed
895085108027	BM-851KR	5010609064643	Commercial Brass Padlock Key Removeable with Shackle Open (9.5mm PG Shackle)	Boxed

Item Code	Product Code	Barcode	Description
895087008027	BM-870KR	5010609064698	Commercial Padlock 870 KRM
899008718027	BMV-871	5010609064810	871 Commercial Brass Padlock (VAUN)
899008408027	BMV-840	5010609064728	840 Commercial Brass Padlock (VAUN)
899008508027	BMV-850	5010609064742	850 Commercial Brass Padlock (VAUN)
899008518027	BMV-851	5010609064759	851 Commercial Brass Padlock (VAUN)
899008558027	BMV-L850	5010609064780	L850 Commercial Brass Padlock (VAUN)
895008518027	BMV-851KR	5010609064537	851KRM Commercial Brass Padlock VAUN
641133008161	BW-1133-SC	5010609052138	1133 Cylinder

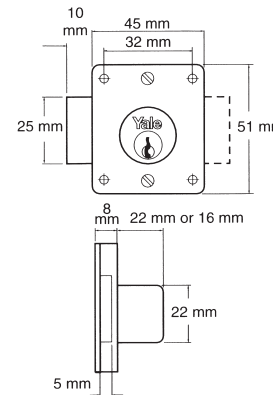
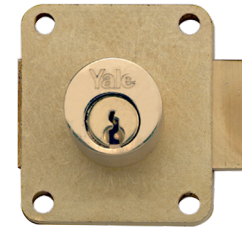
Cabinet Lock



Features

- Yale brass 6 pin tumbler
- Bolt length 9mm
- The bolt is locked or unlocked by the key
- Also available with key removable in locked position only 067MK KS
- Masterkeyable
- Brass finish

Cabinet Lock



Features

- Yale brass 4 pin tumbler
- Bolt length 10mm
- The bolt is locked or unlocked by the key
- Also available with key removable in locked position only 076KS
- Masterkeyable
- Brass finish

Item Code	Catalogue Code	Barcode	Description	Finish	Packaging
670667001025	B-066-22-PB	5010608557191	066 7/8" Drawer Deadlock	PB	Boxed
670667001161	B-066-22-SC	5010608916615	066 7/8" Drawer Deadlock	SC	Boxed
670667101025	B-066S-22-PB	5010608557207	066S 7/8" Drawer Spring Bolt	PB	Boxed
670667101161	B-066S-22-SC	5010608557214	066S 7/8" Drawer Spring Bolt	SC	Boxed
670665008025	BW-066-16-PB	5010609065015	066 5/8" Drawer Deadlock	PB	Boxed
670665108025	BW-066S-16-PB	5010609065039	066S 5/8" Drawer Spring Bolt	PB	Boxed
670667008025	BW-066-22-PB	5010609065053	066 7/8" Drawer Deadlock	PB	Boxed
670667108025	BW-066S-22-PB	5010609065077	066S 7/8" Drawer Spring Bolt	PB	Boxed
670667108161	BW-066S-22-SC	5010609065084	066S 7/8" Drawer Spring Bolt	SC	Boxed
670667008161	BW-066-22-SC	5010609065060	066 7/8" Drawer Deadlock	SC	Boxed
870665008025	BW-066-16-PB	5010609065770	066 5/8" Drawer Deadlock	PB	Boxed
870665108025	BM-066S-16-PB	5010609065794	066S 5/8" Drawer Spring Bolt	PB	Boxed

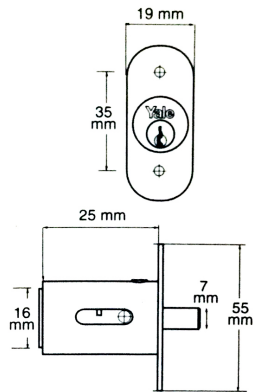
Item Code	Catalogue Code	Barcode	Description	Finish	Packaging
670767001025	B-076-22-PB	5010608557221	076 7/8" Cupboard Deadlock	PB	Boxed
670767001161	B-076-22-SC	5010608557238	076 7/8" Cupboard Deadlock	SC	Boxed
670767101025	B-076S-22-PB-LH	5010608557245	076S 7/8" Left Hand Cupboard Spring Bolt	PB	Boxed
670767101161	B-076S-22-SC-LH	5010608557252	076S 7/8" Left Hand Cupboard Spring Bolt	SC	Boxed
670765008025	BW-076-16-PB	5010609065091	076 5/8" Cupboard Deadlock	PB	Boxed
670765108161	BW-076S-16-SC-LH	5010609065121	076S 5/8" Left Hand Cupboard Spring Bolt	SC	Boxed
670767008025	BW-076-22-PB	5010609065152	076 7/8" Cupboard Deadlock	PB	Boxed
670767008161	BW-076-22-SC	5010609065169	076 7/8" Cupboard Deadlock	SC	Boxed
670767108025	BW-076S-22-PB-LH	5010609065176	076S 7/8" Left Hand Cupboard Spring Bolt	PB	Boxed
670767208025	BW-076S-22-PB-RH	5010609065190	076S 7/8" Right Hand Cupboard Spring Bolt	PB	Boxed
670765208161	BW-076S-16-SC-RH	5010609065145	076S 5/8" Right Hand Cupboard Spring Bolt	SC	Boxed
870767008025	BM-076-22-PB	5010609065923	076 7/8" Cupboard Deadlock	PB	Boxed

Sliding Door Lock



Features

- Suitable for wooden sliding doors
- Easy push to lock action - released by use of the key
- Available in Keyed Different and Keyed Alike options
- Screw Face Fixings
- Chrome Plated Finish



Item Code	Catalogue Code	Barcode	Description	Finish	Packaging
672300001162	B-S230-CH	5010608557313	230 Sliding Door Lock	CH	Boxed
721236008162	B-S236-CH	5010609098006	S236 Cylinder Less Cam	CH	Boxed
721362408162	BW-S362-2W-4P-90	5010609065237	S362 2 Way 4 Pin Cylinders 90 Deg	-	Boxed
721362508162	BW-S362-1W-5P-90	5010609065251	S362 1 Way 5 Pin Cylinders 90 Deg	-	Boxed
721362608162	BW-S362-2W-5P-90	5010609065275	S362 2 Way 5 Pin Cylinders 90 Deg	-	Boxed
893714303168	B-S236-CAM	5010609101010	S236 Cam	-	Boxed
921362508162	BM-S362-1W-5P-90	5010609066050	S362 1 Way 5 Pin 90 Deg. Cylinder	-	Boxed
770403001001	770403001001	5010608558600	No. 403 Keyblank	-	Boxed
770713001001	770713001001	5010609100006	713 Key Blanks	-	Boxed

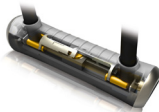
Yale Bike Locks

Whether you use your bike for fun, the morning commute or in sporting competitions, our range of locks have been designed to keep your bike secure.

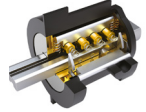
- Constructed with a patented four point locking mechanism for increased resistance to pulling, jacking, prying and twisting
- Pick, pull and bump resistant mechanism
- Cylinders encased with ultra hardened steel shackles
- Keyway seals to shield internal parts from the elements
- Ratings by the respected Sold Secure rating system



Features




ULTRA SECURE FOUR POINT LOCKING
For maximum resistance to pulling & twisting




PICK, PULL, BUMP RESISTANT MECHANISMS
Rendering bump keys useless




DOUBLE SECURED CROSSBAR
High resistance to pulling & twisting




4 LASERCUT KEYS, INCLUDING 1 WITH MICRO-LIGHT



TWIN LOCK DOWN
For ultimate pull resistance



STEEL BALL COMBO GEAR SYSTEM
Resists picking & pulling



UNIVERSAL MOUNTING BRACKET
For increased convenience



KEYWAY PROTECTION
Keeps the elements out of the mechanism



TOUGH VINYL COATINGS ON CABLES



DOUBLE RUBBER PROTECTIVE COATINGS
Protects paint & finishes & the internals from impact



Yale Maximum Security U-lock

Features

- Sold Secure Bicycle Category Diamond graded
- Four point locking heavy duty crossbar provides maximum pull protection
- High Security lock provides resistance from pick, pull, bump and drill attacks
- Ultra hardened shackle for maximum cut and impact resistance
- Double rubber protection against scratches
- New manual keyway seals to keep water, dirt and grit out of lock internals
- Bike bracket for storage included
- Supplied with 4 laser cut keys (1 with micro light)

Dimensions:

H: 230mm W: 115mm D: 14mm

Item Code	Catalogue Code	Barcode	Description	Packaging
YUL3/14/230/1	YUL3/14/230/1	5052847091890	Yale Maximum Security U Bike Lock	Header card
YUL3C/14/230/1	YUL3C/14/230/1	5052847091883	Yale Maximum Security U Bike Lock with cable	Header card

Item Code	Catalogue Code	Barcode	Description	Packaging
YCL3/10/110/1	YCL3/10/110/1	5052847091937	Yale Maximum Security Chain & lock 1100mm	Header card
YCL3/10/180/1	YCL3/10/180/1	5052847091944	Yale Maximum Security Chain & lock 1800mm	Header card



Yale Maximum Security U-lock with cable

Features

- Sold Secure Bicycle Category Diamond graded
- Four point locking heavy duty crossbar provides maximum pull protection
- High Security lock provides resistance from pick, pull, bump and drill attacks
- Ultra hardened shackle for maximum cut and impact resistance
- Double rubber protection against scratches
- New manual keyway seals to keep water, dirt and grit out of lock internals
- Bike bracket for storage included
- Supplied with 4 laser cut keys (1 with micro light)
- Supplied with cable for increased security

Dimensions:

H: 230mm W: 115mm D: 14mm

CL: 1200mm CD: 10mm



Yale Maximum Security Chain with lock 1100mm & 1800mm

Features

- Sold Secure Bicycle Category Gold graded
- 10mm Titanium Enforced hexagonal hardened steel chain offers protection from all forms of attack
- Four-point heavy duty crossbar provides maximum pull protection
- High-Security lock provides resistance from pick, pull, bump and drill attacks
- Double rubber bumper for protection against scratches
- Supplied with 4 laser cut keys (1 with micro light)

Dimensions:

CL: 1100mm CD: 10mm (Chain link)

CL: 1800mm CD: 10mm (Chain link)

Item Code	Catalogue Code	Barcode	Description	Packaging
YUL2/13/230/1	YUL2/13/230/1	5052847091913	Yale High Security U Bike Lock	Header card
YUL2C/13/230/1	YUL2C/13/230/1	5052847091906	Yale High Security U Bike Lock with Cable	Header card



Yale High Security U-lock

Features

- Sold Secure Bicycle Category Gold graded
- Double point locking heavy duty crossbar provides high pull protection
- Ultra hardened shackle for high cut and impact resistance
- High Security lock provides resistance from pick, pull and drill attacks
- Double rubber protection against scratches
- New manual keyway seals to keep water, dirt and grit out of lock internals
- Bike bracket for storage included
- Supplied with 4 laser cut keys (1 with micro light)

Dimensions:

H: 230mm W: 115mm D: 13mm

CL: 1200mm CD: 10mm



Yale Standard Security Combination U-lock

Features

- The steel ball click-combo-gear-system offers high security
- Superior protection from pick and pull attacks
- Double rubber coating on crossbar
- Double rubber protection against scratches
- 4 digit combination (10,000 different combinations)
- Bike bracket for storage included
- No keys to lose or forget

Dimensions:

H: 230mm W: 115mm D: 13mm

Item Code	Catalogue Code	Barcode	Description	Packaging
YCUL2/13/230/1	YCUL2/13/230/1	5052847091920	Yale Standard Security Combination Bike Lock	Header card

Item Code	Catalogue Code	Barcode	Description	Packaging
YCC1/10/185/1	YCC1/10/185/1	5052847091999	Yale Standard Security Combination Cable Lock	Header card



Yale Standard Combination Cable Lock

Features

- Twin lock secures the cable to the lock head in two places
- The steel ball click-combo-gear-system offer high security
- Superior protection from pick and pull attacks
- Features backlit tumblers for ease of use after dark
- Tough protective vinyl cable cover
- 4-digit combination (10,000 different combinations)
- Flexible cable for easy attachment
- No keys to lose or forget

Dimensions:

CL: 1800mm CD: 10mm



Yale Security Cable 1200mm & 2200mm

Features

- Tough protective vinyl cable cover
- The protective cover prevents scratches and marks
- Cinch-loop requires less cable for effective lock-ups
- For use with bike locks, padlocks or ground anchors
- Flexible steel cable
- Use security cable for added security

Dimensions:

CL: 1200mm CD: 10mm

CL: 2200mm CD: 10mm

Item Code	Catalogue Code	Barcode	Description	Packaging
YC1/10/120/1	YC1/10/120/1	5052847091968	Yale Security Cable 1200mm	Header card
YC1/10/220/1	YC1/10/220/1	5052847091975	Yale Security Cable 2200mm	Header card

Item Code	Catalogue Code	Barcode	Description	Packaging
YCL3/10/110/1CH	YCL3/10/110/1CH	5052847098653	Yale Chain only 1100mm	Header card
YCL3/10/180/1CH	YCL3/10/180/1CH	5052847098660	Yale Chain only 1800mm	Header card



Yale Chain 1100mm & 1800mm

Features

- 10mm Titanium Enforced hexagonal hardened steel chain offers protection from all forms of attack

Dimensions:

CL: 1100mm CD: 10mm (Chain link)

CL: 1800mm CD: 10mm (Chain link)

The Yale Safe collection has been designed to provide just that. As one of the world's best known and preferred leading lock brands, we follow our mission to help consumers live more carefree lives. So we have combined the latest technologies and materials with centuries of experience to create safes that meet the most demanding requirements.



Fire Safes

Yale Fire Safes have been designed with your peace of mind in focus. The entire range has been built and tested to withstand intense heat of 927 degree Celsius, humidity and resist attack, leaving you in the knowledge that your most important documents are in good hands.

Yale Fire Safes are built with the latest technology in fire insulation, which provides a high security rating and allows more room for your valuables inside your safe, due to the thinner wall thickness.

In addition to the Yale Fire Safe, there is the Yale Data Fire Safe that contains an additional "safe within a safe" insulation layer. This protects extra sensitive digital data, whether this be on an external hard-drive, phone and smart tablets.

Key features

- Tested to withstand minimum 1 hour of intense heat at 972 degrees
- Emergency battery opening and low battery alarm signal (9V battery not supplied)
- Touch screen keypad with over 1 billion possible codes

Additional features

- You can choose between 1 - 48 hours lock down mode for added security whilst away from home
- The option to switch the sound off when entering the code or when the safe is opening
- Hinge protected for extra security - locking points on both sides of the safes, 16mm locking bolts in the frame and 18mm fixed bolts on the hinge side





Fire Safe Home

YFM/352/FG2

Exterior dimensions	352 x 412 x 363mm
Interior dimensions	260 x 320 x 234mm
Net weight	31kg
Volume	19 litres



Fire Safe Office

YFM/420/FG2

Exterior dimensions	420 x 352 x 433mm
Interior dimensions	320 x 260 x 304mm
Net weight	36kg
Volume	25.3 litres



Fire Safe Professional

YFM/520/FG2

Exterior dimensions	514 x 404 x 440mm
Interior dimensions	410 x 300 x 300mm
Net weight	53kg
Volume	36.9 litres



Item Code	Catalogue Code	Barcode	Description	Packaging
YFM-352-FG2	YFM-352-FG2	5052847068861	Medium Fire Safe (£1000)	Boxed
YFM-420-FG2	YFM-420-FG2	4893862039495	Large Fire Safe (£1000)	Boxed
YFM-520-FG2	YFM-520-FG2	4893862039501	Extra Large Fire Safe (£1000)	Boxed

Maximum Security Motorised Safes

At Yale, we pride ourselves on protecting the things that matter the most to you. The Maximum Security Motorised Safes will keep your most important belongings secure and safe, with additional anti-drill plate in key areas and laser-cut door for protection against use of tools.

You can gain quick access with pin code and scare away any unwanted visitors with lock down for one minute after 3 incorrect attempts. The range has also been Sold Secure Sliver & SKG** Approved to provide the best in security.

The internal light gives you clear visibility of your valuables and the internal hooks makes it more convenient for you to keep your things organised and clearly displayed.

Whether that's your documents to your new home, or a sentimental belonging, we have the right safe to suit you.

Key features

- Anti-drill plate and laser-cut door for protection against use of tools to open the safe for maximum security
- Lock down for one minute after three incorrect attempts
- Clear LCD keypad display with pin code access
- Internal light for contents to be easily seen
- Internal hooks and shelf

Additional features

- Motorised locking mechanism with two anti-saw locking bolts (20mm)
- Maximum security mechanical override lock that includes 1 double bitted key
- Option to use a 9V battery to gain emergency access to your safe (9V battery not included)
- Automatic door opening mechanism



Yale Maximum Security Safes



Maximum Security Motorised Safe Home

YSEM/250/EG1

Exterior dimensions	H250xW350xD300mm
Interior dimensions	H240xW337xD230mm
Net weight	15.7kg
Volume	18.6 litres



Maximum Security Motorised Safe Laptop

YLEM/200/EG1

Exterior dimensions	H200xW480xD350mm
Interior dimensions	H190xW467xD280mm
Net weight	18kg
Volume	24.8 litres



Maximum Security Motorised Safe Office

YSEM/400/EG1

Exterior dimensions	H400xW350xD340mm
Interior dimensions	H390xW337xD270mm
Net weight	22kg
Volume	35.5 litres



Maximum Security Motorised Safe Professional

YSEM/520/EG1

Exterior dimensions	H520xW350xD360mm
Interior dimensions	H510xW337xD290mm
Net weight	28kg
Volume	49.8 litres



Item Code	Barcode	Description	Packaging
YSEM/250/EG1	5052847107690	Maximum Security Home Safe	Boxed
YSEM/400/EG1	5052847107706	Maximum Security Office Safe	Boxed
YSEM/520/EG1	5052847107713	Maximum Security Professional Safe	Boxed
YLEM/200/EG1	5052847107683	Maximum Security Laptop Safe	Boxed

Maximum Security Fingerprint Safes

The Maximum Security Fingerprint Safes provide you with enhanced security, with anti-drill plates for protection against attacks and fingerprint access with the ability to store up to 100 fingerprints for maximum security.

Enjoy the convenience of three different opening credentials: gain access through a fingerprint sensor, PIN code or mechanical key.

These safes combine fast access with a laser-cut door (for protection against use of tools), ensuring maximum security. For additional peace of mind, after 3 incorrect attempts at accessing the safe, it will lock-down for 1 minute. The range has been Sold Secured Silver Approved to provide the best in security.

Whether you are protecting your camera to capture those special moments, or a sentimental belonging, we have the right safe to suit you.

Key features

- Fingerprint access and the ability to store up to 100 fingerprints
- Anti-drill plate and laser-cut door for protection against use of tools to open the safe for maximum security
- Lock down for one minute after three incorrect attempts
- Internal light for contents to be easily seen
- Internal hooks and shelf

Additional features

- Clear LCD keypad display with pin code access
- Motorised locking mechanism with two anti-saw locking bolts (20mm)
- Maximum security mechanical override lock that includes 1 bitted key
- Option to use a 9V battery to gain emergency access to your safe (9V battery not included)
- Automatic door opening



Yale Maximum Security Fingerprint Safes



Max Security Fingerprint Safe Home

YSFM/250/EG1

Exterior dimensions	H250xW350xD300mm
Interior dimensions	H240xW337xD230mm
Net weight	15.7kg
Volume	18.6 litres



Max Security Fingerprint Safe Laptop

YLFM/200/EG1

Exterior dimensions	H200xW480xD350mm
Interior dimensions	H190xW467xD280mm
Net weight	18kg
Volume	24.8 litres



Max Security Fingerprint Safe Office

YSFM/400/EG1

Exterior dimensions	H400xW350xD340mm
Interior dimensions	H390xW337xD270mm
Net weight	22kg
Volume	35.5 litres



Max Security Fingerprint Safe Professional

YSFM/520/EG1

Exterior dimensions	H520xW350xD360mm
Interior dimensions	H510xW337xD290mm
Net weight	28kg
Volume	49.8 litres



Item Code	Barcode	Description	Packaging
YSFM/250/EG1	5052847107904	Maximum Security Fingerprint Home Safe	Boxed
YSFM/400/EG1	5052847107911	Maximum Security Fingerprint Office Safe	Boxed
YSFM/520/EG1	5052847107928	Maximum Security Fingerprint Profession Safe	Boxed
YLFM/200/EG1	5052847107898	Maximum Security Fingerprint Laptop Safe	Boxed

High Security Motorised Safes

Keep your most important belongings safe and secure with the High Security Motorised Safes. Providing you with a laser-cut door for protection against use of tools to open the safe for enhanced security, the use of a pin code means you are able to gain quick access to your safe.

The internal light gives you clear visibility of your valuables and the internal hooks makes it more convenient for you to keep your things organised and clearly displayed.

Whether you are protecting your camera to capture those special moments, or a sentimental belonging, we have the right safe to suit you.

Key features

- Laser-cut door for protection against use of tools to open the safe for enhanced security
- Lock down for one minute after three incorrect attempts
- Clear LCD keypad display with pin code access
- Internal light for contents to be easily seen
- Internal hooks and shelf

Additional features

- Locking mechanism with two anti saw locking bolts (20mm)
- High security mechanical override lock that includes 1 double bitted key
- Option to use a 9V battery to gain emergency access to your safe (9V battery not included)
- Automatic door opening mechanism





High Security Motorised Safe Compact

YSEB/200/EB1

Exterior dimensions	H200xW350xD200mm
Interior dimensions	H192xW345xD145mm
Net weight	8.5kg
Volume	9.6 litres



High Security Motorised Safe Home

YSEB/250/EB1

Exterior dimensions	H250xW350xD300mm
Interior dimensions	H242xW345xD245mm
Net weight	12.1kg
Volume	20.5 litres



High Security Motorised Safe Laptop

YLEB/200/EB1

Exterior dimensions	H200xW480xD350mm
Interior dimensions	H192xW475xD295mm
Net weight	13.7kg
Volume	26.9 litres



High Security Motorised Safe Office

YSEB/400/EB1

Exterior dimensions	H400xW350xD340mm
Interior dimensions	H392xW345xD285mm
Net weight	17kg
Volume	38.5 litres



Item Code	Barcode	Description	Packaging
YSEB/200/EB1	5052847107737	High Security Compact Safe	Boxed
YSEB/250/EB1	5052847107744	High Security Home Safe	Boxed
YSEB/400/EB1	5052847107751	High Security Office Safe	Boxed
YLEB/200/EB1	5052847107720	High Security Laptop Safe	Boxed

Alarmed Value Safes

The Alarmed Value Safes keep all your precious belongings safe and provides you extra security with the integrated 130dB alarm. Protect sensitive information, or your most valued personal possessions with our solid steel construction Yale safes.

Key features

- Integrated 130dB alarm is triggered if the safe is tampered with or after 3 incorrect code attempts
- Electronic lock with 100,000+ combinations, 3 to 8 digit code. User code can be numbers or letters e.g. a memorable name or word
- Mechanical override: x2 radial keys to open the safe

Additional features

- Locking mechanism: Anti-bump solenoid
- Two LED light indicators, green to open, red for error or low battery
- One touch reset button inside the safe to re-set the code



Yale Alarmed Value Safes



Alarmed Value Safe Small

YEC/200/DB1

Exterior dimensions	H200xW310xD200mm
Interior dimensions	H190xW300xD150mm
Net weight	5.4kg
Volume	8.6 litres



Alarmed Value Safe Medium

YEC/250/DB1

Exterior dimensions	H250xW350xD250mm
Interior dimensions	H240xW340xD200mm
Net weight	8kg
Volume	16.3 litres



Alarmed Value Safe Laptop

YLC/200/DB1

Exterior dimensions	H200xW430xD350mm
Interior dimensions	H190xW420xD300mm
Net weight	9.4kg
Volume	24 litres



Alarmed Value Safe Large

YEC/390/DB1

Exterior dimensions	H390xW350xD360mm
Interior dimensions	H380xW340xD310mm
Net weight	14kg
Volume	40 litres



Item Code	Barcode	Description	Packaging
YEC/200/DB1	6001843255361	Value Alarmed Safe Small	Boxed
YEC/250/DB1	6001843255378	Value Alarmed Safe Medium	Boxed
YEC/390/DB1	6001843255385	Value Alarmed Safe Large	Boxed
YLC/200/DB1	6001843255118	Value Alarmed Safe Laptop	Boxed

Value Safes

Value safes provide you with a good level of security for those important belongings such as passports, birth certificates, cards, cash and keys.

The safe has a 3 to 8 digit user code which is easy to programme and includes a mechanical override key for emergency access.

The safes come in a variety of sizes, from mini to laptop variants. There are also extra large office safes which include hooks for multiple key storage and indexing system, allowing you to choose a safe that best suits your needs.

Key features

- Electronic lock with 100,000+ combinations, 3 to 8 digit code. User code can be numbers or letters e.g. a memorable name or word
- Locking mechanism: anti-bump solenoid
- Mechanical override: x2 radial key to open the safe

Additional features

- Two LED light indicators, green to open, red for error or low battery
- One-touch reset button inside the safe to reset the code





Value Safe Small
YSV/200/DB1

Exterior dimensions	H200xW310xD200mm
Interior dimensions	H190xW300xD150mm
Net weight	5.4kg
Volume	8.6 litres



Value Safe Medium
YSV/250/DB1

Exterior dimensions	H250xW350xD250mm
Interior dimensions	H240xW340xD200mm
Net weight	8kg
Volume	16.3 litres



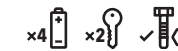
Value Safe Laptop
YLV/200/DB1

Exterior dimensions	H200xW430xD350mm
Interior dimensions	H190xW420xD300mm
Net weight	9.4kg
Volume	24 litres



Value Safe Large
YSV/390/DB1

Exterior dimensions	H390xW350xD360mm
Interior dimensions	H380xW340xD310mm
Net weight	14kg
Volume	40 litres



Value Safe Mini
YSV/170/DB1

Exterior dimensions	H170xW230xD170mm
Interior dimensions	H160xW220xD110mm
Net weight	3.6kg
Volume	3.8 litres



Item Code	Barcode	Description	Packaging
YSV/200/DB1	5010609182200	Value Safe Small	Boxed
YSV/250/DB1	5010609182217	Value Safe Medium	Boxed
YSV/390/DB1	5010609182224	Value Safe Large	Boxed
YLV/200/DB1	5010609182088	Value Laptop Safe	Boxed
YSV/170/DB1	5052847033883	Mini Value Safe	Boxed



Small Safe

Features

- Steel construction
- Pre-drilled holes and fixing bolts allow permanent mounting to wall or floor
- Easy to use with high security mechanical key
- Interior base lined with soft material to prevent damage to contents
- Supplied with 2 manual override keys
- Simple to operate programmable digital keypad with LCD display
- Includes user code and mastercode function

Y-SS0000NFP

Exterior dimensions	H200xW310xD200mm
Interior dimensions	H190xW300xD150mm
Net weight	5.5kg



Medium Safe

Features

- Steel construction
- Pre-drilled holes and fixing bolts allow permanent mounting to wall or floor
- Easy to use with high security mechanical key
- Interior base lined with soft material to prevent damage to contents
- Supplied with 2 manual override keys
- Simple to operate programmable digital keypad with LCD display
- Includes user code and mastercode function

Y-MS0000NFP

Exterior dimensions	H250xW350xD250mm
Interior dimensions	H240xW340xD200mm
Net weight	7.8kg



Laptop Safe

Features

- Steel construction
- Pre-drilled holes and fixing bolts allow permanent mounting to wall or floor
- Easy to use with high security mechanical key
- Interior base lined with soft material to prevent damage to contents
- Supplied with 2 manual override keys
- Simple to operate programmable digital keypad with LCD display
- Includes user code and mastercode function

Y-LTS0000

Exterior dimensions	H200xW430xD350mm
Interior dimensions	H190xW420xD300mm
Net weight	11.8kg



Item Code	Barcode	Description	Packaging
Y-SS0000NFP	5010609081596	Small Safe	Boxed
Y-MS0000NFP	5010609081602	Medium Safe	Boxed
Y-LTS0000	5010609081640	Laptop Safe	Boxed

Floor Safe
Y-FLS0000

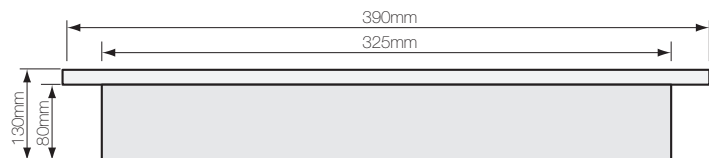


Exterior dimensions	H130xW390xD210mm
Interior dimensions	H80xW325xD170mm
Net weight	7.5kg



Features:

- Compact and discrete
- Bolts to allow fixing to joists under floor boards
- Easy to use with high security mechanical key
- Bottom lined with soft material to prevent damage to contents



Item Code	Barcode	Description	Packaging
Y-FLS0000	5010609081626	Floor Safe	Boxed

Combination Key Access
Y500/187/1



Dimensions	H187xW130xD39mm
------------	-----------------



This Yale Key Access allows protection of keys so other members of the family can access them easily.

Features:

- No need to put keys under the mat for when the children come home
- Strong die-cast body
- Weather resistant case, for outdoor use
- Re-settable combination lock
- Concealed fixings for maximum security

Item Code	Barcode	Description	Packaging
Y500/187/1	5010609100112	Combination key access	Boxed



Cash Box
Y-CB0800NFP

Dimensions	H90xW200xD160mm
------------	-----------------



Features:

Supplied with two keys and removable internal tray

Item Code	Barcode	Description	Packaging
Y-CB0800NFP	5010609081565	Cash Box 8"	Boxed



Small Combination Key Box
Y-SKB000NFP

Dimensions	H20xW160xD80mm
------------	----------------

Features:

- For organising and securing keys
- Combination locking
- To fit 20 keys
- Number tags and labels provided to help identify keys and to keep them organised

Item Code	Barcode	Description	Packaging
Y-SKB000NFP	5010609081572	Small Combination Key Box	Boxed

Yale Terms & Conditions

NOTE: THESE CONDITIONS CONTAIN EXCLUSION CLAUSES

1. DEFINITIONS

In these Conditions, "the Seller" means Yale whose registered office is at School Street, Willemhal, West Midlands, WV13 3PW acting as agent for and on behalf of ASSA ABLÖV Limited (company number 2086505) whose registered office is at School Street, Willemhal, West Midlands, WV13 3PW. "the Purchaser" means the person, firm or company from whom an order is accepted by the Seller; "Contract" means the contract formed pursuant to condition 2(a). "Goods" means any goods supplied by the Seller to the Purchaser under the Contract; "Minimum Carriage Paid Order Value" means the minimum carriage paid order value as set out in the Seller's price list in force at the date of the Purchaser's order; "Minimum Invoice Charge" means the minimum invoice charge as set out in the Seller's price list in force at the date of the Purchaser's order; "Order Acknowledgement" means the Seller's written acknowledgement of the Purchaser's order.

2. CONTRACT FORMATION

a) The Purchaser's order to the Seller is an offer to enter into a contract to purchase Goods from the Seller on these Conditions. Acceptance occurs and a contract is formed only upon the Seller despatching to the Purchaser its Order Acknowledgement. A quotation by the Seller does not constitute an offer. b) These Conditions comprise the only terms and conditions upon which the Seller will do business with the Purchaser and shall prevail notwithstanding any terms or conditions contained in any purchase order, acceptance of estimate or quotation or other document proffered at any time by the Purchaser or otherwise brought to the Seller's attention by the Purchaser. c) No variation to these Conditions shall be binding unless agreed in writing by the Purchaser and a director on behalf of the Seller. d) The Seller's employees and agents are not authorised to make any representations concerning the Goods unless confirmed in writing by a director on behalf of the Seller. In entering into the Contract the Purchaser acknowledges that it has not relied on any such representations which have not been confirmed in writing by a director on behalf of the Seller.

3. PRICE

a) The price for the Goods shall be as set out in the Seller's price list in force at the date of the Seller's despatch. The Seller reserves the right to vary the price of the Goods by any amount attributable to: (i) any variation in the cost of material, transport, duties, taxes, exchange rates or any other costs of whatsoever nature between the date of the Contract and the date of delivery or collection (as the case may be) of the Goods; and/or (ii) a change in or delay or insufficiency of the Purchaser's instructions.

b) The Purchaser shall not be entitled to make any deduction from the price of the Goods in respect of any alleged rights to set off or counter-claims unless both the validity and the amounts thereof have been expressly acknowledged and admitted in writing by a director on behalf of the Seller.

c) If, pursuant to the provisions of condition 5, the Goods are to be delivered to an address within the United Kingdom, the price for the Goods is inclusive of the costs of standard packaging and the costs of delivery to such address, subject to the Minimum Carriage Paid Order Value at the date of the Purchaser's order. Where the net price of the Goods is less than the Minimum Carriage Paid Order Value, a surcharge of 100 per cent of the carriage costs will be payable by the Purchaser in addition to the price for the Goods.

d) Subject only to the provisions of condition 3(c) above, unless otherwise agreed in writing by a director on behalf of the Seller, the price of the Goods is exclusive of the costs of packaging, freight, insurance, delivery charges and all applicable taxes and tariffs and charges of any nature whatsoever imposed in any country or territory, either directly or indirectly, in respect of the sale or supply of the Goods, or payments for them. In particular, without prejudice to the generality of the foregoing, the price of the Goods is exclusive of Value Added Tax. All such additional costs shall be payable by the Purchaser in addition to the price for the Goods.

e) Where the price for the Goods is less than the Minimum Invoice Charge at the date of the Purchaser's order, the Minimum Invoice Charge will be payable by the Purchaser instead of the price of the Goods (provided that, if all such Goods are cut keys, the Minimum Invoice Charge will not be imposed).

4. PAYMENT TERMS

a) Subject to satisfactory trade, bankers and other references which may be required by the Seller, and where no other terms of payment have been specifically agreed in writing by a director on behalf of the Seller, payment for the Goods shall be due in cleared funds in pounds sterling by the 25th day of the calendar month following the month of issue of the Seller's invoice therefor. In the case of export orders only, unless otherwise specifically agreed in writing by a director on behalf of the Seller, payment for export orders shall be irrevocable letter of credit confirmed by a London Clearing Bank and issued under Incoterms 2000.

b) Time for payment of the price shall be of the essence of the Contract. c) Failure by the Purchaser to pay any sums owing to the Seller under the Contract or any other contract will result in all indebtedness of the Purchaser to the Seller becoming immediately due and payable.

d) The Seller may at any time in its absolute discretion appropriate any payment made by the Purchaser in respect of Goods to such outstanding debt as the Seller thinks fit, notwithstanding any purported appropriation to the contrary by the Purchaser or the Seller.

e) Without prejudice to any other rights or remedies of the Seller whether hereunder or otherwise at law or in equity, late payment of any amount due to the Seller shall entitle the Seller to charge interest on such amount from the date on which payment was due until the date on which the Seller receives payment in full of such amount (whether before or after judgment has been obtained by the Seller against the Purchaser) at the interest rate in force pursuant to the Late Payment of Commercial Debts (Interest) Act 1998 at the time interest becomes chargeable.

f) The Purchaser shall indemnify and keep indemnified the Seller from and against any and all charges, costs, expenses and other liabilities whatsoever and howsoever incurred by the Seller or its agents as a result of any failure by the Purchaser to make payment in accordance with the provisions contained in this condition 4, including (without limitation) any costs incurred by the Seller or its agents in the collection of any monies due to the Seller.

g) Without prejudice to any other rights or remedies of the Seller, whether hereunder or otherwise at law or in equity, the Seller reserves the right at any time in its absolute discretion: (i) to suspend further deliveries; and/or (ii) to cancel any allowance of further credit; and/or (iii) to demand security for payment before continuing with an order or delivering Goods or any instalment; and/or (iv) to cancel the Contract and/or any other contract between the Seller and the Purchaser in the event of any payment not being made when due, or if the Seller, in its sole discretion, has at any time concerns regarding the financial circumstances of the Purchaser.

5. DELIVERY AND RISK

a) Any period or date for delivery stated in the Purchaser's order or the Order Acknowledgement or elsewhere is an estimate only and the Seller will not be liable to the Purchaser for any loss or damage sustained by the Purchaser as a result of the Seller's failure to comply with such delivery periods or dates. The Purchaser shall not be entitled to refuse to accept late delivery or to treat late delivery as a breach of contract.

b) The Seller may at its option deliver by instalments. Neither failure on the Seller's part to make any delivery (or part delivery) in accordance with the Contract, nor any claim by the Purchaser in respect of such delivery (or part delivery) shall entitle the Purchaser to reject the balance of the Goods. c) In respect of export sales, unless otherwise agreed in writing by a director on behalf of the Seller, Goods shall be delivered EXW Willemhal (as such term is defined in Incoterms 2000) and accordingly delivery shall take place and risk in the Goods shall pass from the Seller to the Purchaser when the Goods are placed at the Purchaser's disposal at the Seller's premises at Willemhal.

d) In all other cases, delivery shall take place and risk in the Goods shall pass from the Seller to the Purchaser.

i) If the Purchaser's order specifies that the Purchaser will collect the Goods from the Seller's premises, on the earlier of the Seller handing the Goods to the Purchaser or its agent at the Seller's premises, or (provided that the Seller has not repudiated the Contract in accordance with the provisions of condition 5(e)), the eighth day following notification by the Seller to the Purchaser that the Goods are ready for collection; or (ii) if the Purchaser's order specifies that the Seller will deliver the Goods to an address within the United Kingdom, the Seller shall be deemed to have delivered the Goods to that address at the time when the minimum carriage paid order value as set out in the Seller's price list in force at the date of the Purchaser's order; and (iii) where the Goods are ready for delivery or collection the Company may agree to postpone them date of delivery or collection at the request of the Purchaser provided that the Purchaser pays the full price of the Goods to the Seller immediately. The Seller may, at its option, either store the Goods itself or have them stored by a third party on such terms as it in its absolute discretion thinks fit. The cost of storage and any additional transportation will be added to and shall form part of the price.

f) If the Purchaser fails to accept delivery of the Goods or if the Purchaser fails to collect the Goods on the seventh day following notification of readiness for despatch or if a director of the Seller does not agree in writing on behalf of the Seller to postpone the date of delivery or collection, the Seller shall be entitled at its option and with no liability to the Purchaser to treat the Contract as repudiated by the Purchaser. If the Seller elects to treat the Contract as repudiated in accordance with this Condition 5(f) it shall (without prejudice to its rights and remedies in respect of such repudiation) be entitled to sell the Goods and retain the proceeds of the sale.

6. LOSS OR DAMAGE IN TRANSIT AND INSPECTION

a) The Seller shall not be liable for loss or damage to Goods in transit unless: (i) the Seller has agreed to effect delivery to a place other than the Seller's premises; and (ii) the loss or damage occurs prior to arrival at the delivery point; and either (a) the loss or damage or shortage is notified by the Purchaser to the Seller in writing within 7 days of arrival at the delivery point; or (b) in the case of total loss, non-arrival is notified by the Purchaser to the Seller in writing within 7 days after the date on which the carrier arrived at the agreed delivery point or, in the case of goods shipped by sea, within 7 days of despatch of the advice note.

b) The Purchaser shall inspect the Goods immediately upon receipt and shall subject to condition 8(i) below be deemed to have accepted the Goods as delivered unless the Purchaser notifies the Seller within 7 days of receipt of any alleged defect or lack of conformity with the Contract and the Purchaser preserves the Goods intact as delivered for inspection by the Seller or its authorised representatives and, if required to do so by the Seller, permits the Seller or its authorised representatives to attend at the Seller's premises or other nominated premises and/or return the goods to the Seller, to enable the Seller to investigate the Purchaser's complaint.

c) The Seller's liability for any lost or defective Goods notified to it under conditions 6(a) or (b) shall in all circumstances be limited to (at the Seller's option) the repair or replacement or credit to the Purchaser of the invoice value of the Goods in question.

7. RETENTION OF TITLE

a) Until the Seller has received payment in full of all sums owed to it on any account by the Purchaser, whether arising out of the Contract or any other contract, legal and beneficial title to the Goods shall remain in the Seller: such goods are referred to in this Condition 7 as "retained goods". b) Retained goods: (i) shall be at the Purchaser's risk, insured by the Purchaser from the date on which risk in such retained goods passes from the Seller to the Purchaser in accordance with the provisions of condition 5, at its own expense for their full replacement value against all usual risks; and kept safe in good condition and stored separately and clearly identifiable as the Seller's property and with all identifying marks intact and legible; and (ii) may, subject to Condition 7(c) below, be used or sold by the Purchaser in the ordinary course of its business on the basis that the proceeds of sale shall be held in trust by the Purchaser for the Seller absolutely.

c) The Purchaser's rights under this condition 7 shall be conditional upon the Purchaser including a retention of title condition substantially in the form of that contained at condition 7(b) above in all contracts entered into by the Purchaser for the sale of the retained goods or any of them. d) The Purchaser's powers of use and sale of retained goods shall terminate: (i) forthwith on notice from the Seller; (ii) automatically upon the occurrence of any of the following:

a) the presentation of a petition or the convening of a meeting for the purpose of considering a resolution for the winding up or dissolution of, the passing of any resolution for its winding up, or the making of a winding up order against, or order for the dissolution of, the Purchaser; (b) the appointment of a receiver, administrative receiver, receiver and manager, sequestrator or similar officer over all or any of the assets or undertaking of the Purchaser or the presentation of a petition for an administration order, or the making of an administration order, in relation to the Purchaser; (c) the proposal of, application for, or entry into of, a compromise or arrangement or voluntary arrangement, or any other scheme, composition or arrangement in satisfaction or composition of any of its debts or other arrangement for the benefit of its creditors generally, by the Purchaser with any of its creditors (or any class of them) or any of its members (or any class of them) or if the Purchaser takes any action in relation to any of the same; (d) the taking by any creditor secured or otherwise of possession of, or the levying of distress or (e) the commencement of some other process upon, all or part of the property, assets or undertaking of the Purchaser;

ee) the deemed inability of the Purchaser to pay its debts within the meaning of Sections 123 or 268 of the Insolvency Act 1986 (as applicable); (f) the Purchaser ceasing to carry on the whole or a substantial part of its business; (g) the Purchaser suspending payment of debts or being unable or omitting to pay its debts as they fall due; or (h) the occurrence of an event or circumstance in relation to the Purchaser similar to any of those referred to in (aa) to (gg) above in any jurisdiction other than England and Wales.

e) The Seller may, at any time on giving prior notice, enter the premises of the Purchaser or of any third party where the retained goods are stored for the purpose of inspecting retained goods and identifying them as the Seller's property and the Purchaser irrevocably authorises the Seller to enter upon such premises for that purpose.

f) Upon termination of the Purchaser's power of sale and use under condition 7(b) above: (i) the Purchaser shall place all the retained goods in its possession or under its control at the Seller's disposal and shall be deemed irrevocably to authorise the Seller to enter upon any of the Purchaser's premises, with or without vehicles, for the purpose of removing such goods; and (ii) the Seller shall be entitled at its option to: (aa) cancel all or any part of any order for Goods placed with it by the Purchaser and not yet delivered (whether or not accepted or whether or not under the Contract or any other contract); and/or (bb) to deal directly with any customers of the Purchaser in which case any proceeds of any sale to such customers shall belong to the Seller absolutely.

g) The repossession of retained goods by the Seller in accordance with this condition 7 shall be without prejudice to all or any of the Seller's other rights against the Purchaser under the Contract whether hereunder, at law or in equity.

8. WARRANTY

a) The Seller warrants that for a period of twelve months from the date of delivery or collection of the Goods, pursuant to the provisions of condition 5 (the "Warranty Period"), the Goods will be free from material defects arising from faulty materials and workmanship, other than defects: (i) drawn to the attention of the Purchaser or which were or ought to have been discovered on inspection of the Goods by the Purchaser at the time of receipt; or (ii) appearing after any person (other than the Seller) has made any alteration or addition to the Goods; or (iii) caused or aggravated by any act or omission on the part of any person other than the Seller, including (without limitation) use or storage of the Goods in a manner contrary to any written instructions of the Seller, faulty or improper handling, installation, maintenance or repair; or (iv) fair wear and tear, accident or neglect.

b) If the Purchaser becomes aware of a defect in the Goods during the Warranty Period, the Purchaser shall, within 14 days of discovering such defect, supply the Seller with written particulars of such defect and at the Seller's sole option either return the Goods to the Seller at the Purchaser's expense and risk or permit the Seller to inspect the same at the Purchaser's premises and shall use its best endeavours to provide to the Seller all necessary access and other reasonable facilities and all information, particulars and assistance required to enable the Seller to ascertain and verify the nature and cause of the defect claimed and to carry out its warranty obligations.

c) The Seller's liability for defective Goods under the warranty contained at Condition 8(a) is limited to, at the Seller's sole option: repairing or replacing such Goods (or parts thereof) or crediting the Purchaser's account to the invoice value for such Goods (or part thereof) and the Purchaser shall accept such of the aforementioned remedies as the Seller shall proffer as being fulfilment of the Seller's obligation under such warranty.

9. LIMITS OF LIABILITY

a) Nothing in these Conditions shall be interpreted as excluding or restricting the Seller's liability under Part 1 of the Consumer Protection Act 1987 or for death or personal injury resulting from the negligence (as defined in Section 11 of the Unfair Contract Terms Act 1987) of the Seller, its directors, employees, agents and/or sub-contractors or for breach of Section 12 of the Sale of Goods Act 1979.

b) SUBJECT TO THE PROVISIONS OF CONDITION 9(a) ABOVE, THE SELLER'S TOTAL LIABILITY TO THE PURCHASER FOR ALL CLAIMS ARISING OUT OF OR IN CONNECTION WITH THE CONTRACT (WHETHER UNDER LAW OF CONTRACT, TORT (INCLUDING, WITHOUT LIMITATION, NEGLIGENCE) OR OTHERWISE) SHALL NOT EXCEED THE PRICE PAID FOR THE GOODS BY THE PURCHASER UNDER THE CONTRACT.

c) THE SELLER SHALL BE LIABLE, IN NO CIRCUMSTANCES, BE LIABLE, WHETHER BY WAY OF INDEMNITY OR BY REASON OF BREACH OF CONTRACT, TORT (INCLUDING, WITHOUT LIMITATION, NEGLIGENCE) BREACH OF STATUTORY DUTY OR OTHERWISE FOR: (i) SPECIAL DAMAGES; OR (ii) LOSS OF PROFIT, LOSS OF INCOME, LOSS OF GOODWILL, LOSS OF USE OR ANY OTHER ECONOMIC LOSS; OR (iii) ANY LOSS ARISING FROM ANY CLAIM AGAINST THE PURCHASER BY ANY THIRD PARTY; OR (iv) ANY CONSEQUENTIAL OR INDIRECT LOSS, DAMAGE OR EXPENSE OF ANY KIND HOWSOEVER CAUSED, ARISING.

d) SAVE AS PROVIDED IN THESE CONDITIONS, THE SELLER SHALL NOT BE UNDER ANY LIABILITY TO THE PURCHASER (WHETHER IN CONTRACT, TORT (INCLUDING, WITHOUT LIMITATION, NEGLIGENCE), BREACH OF STATUTORY DUTY, OR OTHERWISE) FOR ANY LOSS OR DAMAGE RESULTING FROM THE SUPPLY OF THE GOODS AND ALL WARRANTIES, CONDITIONS AND REPRESENTATIONS WHETHER EXPRESS OR IMPLIED BY LAW IN RESPECT OF THE SUPPLY OF THE GOODS (INCLUDING, WITHOUT LIMITATION, AS TO THE QUALITY OR FITNESS FOR ANY PARTICULAR PURPOSE OF THE GOODS) ARE EXCLUDED TO THE FULLEST EXTENT PERMITTED AT LAW.

e) The Purchaser acknowledges that all specifications and details in catalogues, quotations and the Order Acknowledgement or any similar documents or by word of mouth and all forecasts of performances, however given, are approximate only and do not form part of the Contract and that the Seller shall be under no liability to the Purchaser in respect thereof.

10. INSURANCE

The Purchaser agrees that it is best able to estimate the extent and nature of the insurance cover suitable for its business and to arrange for such cover at the most appropriate rates than the Seller such appropriate insurance cover and the Purchaser therefore acknowledges that it is reasonable for the Seller to sell the Goods and to set the price thereof on the basis of the exclusions and limitations of liability and the indemnities set out in these Conditions. The Purchaser agrees that it will be responsible for effecting such cover as above mentioned as may be appropriate to its business and property including (but not limited to) any required insurance cover in respect of any loss or damage, of whatsoever kind or howsoever caused, whether by reason of the negligence of the Seller or otherwise to premises, plant or other physical property and the Seller shall have no liability in respect of any such loss or damage.

11. INDEMNITY - THIRD PARTY CLAIMS

The Purchaser shall indemnify and keep indemnified the Seller from and against any and all actions, claims, costs, losses, damages, demands, expenses (including without limitation legal fees and expenses on a solicitor or own costs basis) and other liabilities (including any defect in the Goods (including without limitation all liabilities incurred under the Consumer Protection Act 1987) to the extent occasioned or contributed to or resulting from any act or omission of the Purchaser its servants, agents, sub-contractors or persons under its control.

12. FORCE MAJEURE

The Seller reserves the right to suspend, delay or cancel the performance of the Contract or any part of it where the Seller is prevented or hindered from performing the same or to any cause beyond its reasonable control and the Seller shall not be liable for any failure or delay in the performance of its obligations (or any of them) or for the suspension or cancellation of the Contract.

13. INFINGEMENT OF THIRD PARTY RIGHTS

The Purchaser shall promptly inform the Seller of any threat, claim or allegation of which the Purchaser becomes aware that the Goods (or any of them) infringe the intellectual property or other rights of any person and shall, if so required by the Seller, at the Seller's expense, take all reasonable steps to enable the Seller to defend any such threat, claim or allegation.

14. CONFIDENTIAL INFORMATION

The Purchaser shall treat all drawings, procedures, instructions, documents and other information of any kind whatsoever supplied by the Seller to the Purchaser as strictly confidential (except to the extent that any such information is available in the public domain) and shall not without the prior written consent of a director for and on behalf of the Seller, disclose or part with possession of any such documents or

information or extracts therefrom or copies thereof or use any such documents or information otherwise than in connection with the Goods to which they relate.

15. GOODS MANUFACTURED TO PURCHASER'S SPECIFICATION

a) The Seller accepts no responsibility for the accuracy of information, specifications, instructions and/or drawings ("Information") supplied by the Purchaser. b) The Purchaser shall indemnify and keep indemnified the Seller from and against all actions, costs, expenses (including without limitation legal costs on a solicitor own claim basis), proceedings, losses, damages and other liabilities arising (whether directly or indirectly) out of: (i) any error in or omission from any information; and/or (ii) any threats, claims or allegations that any Information or the use thereof infringes any person's intellectual property or other rights; and/or (iii) any threats, claims or allegations that any Information or the use thereof breaches the provisions of any statute, statutory instrument or regulation or other law of any applicable country or territory; and/or (iv) the Seller's use of or reliance upon any Information, including without limitation any claim made against the Seller by any person as a result thereof.

16. HEALTH AND SAFETY

The Purchaser agrees to pay due regard to any information or advice relating to the use of the Goods which the Seller may at any time furnish to it and agrees that before the Goods are used it will, if requested by the Seller, furnish the Seller with a written undertaking to take any steps which the Seller may specify with a view to ensuring that the Goods will be safe and without risk to health when used.

17. CANCELLATION AND AMENDMENT

a) No cancellation or amendment to the Contract shall be binding on the Seller unless agreed in writing by a director on behalf of the Seller and on the strict condition that all and any costs and expenses incurred by the Seller up to the time of the cancellation or arising out of the amendment and all loss of profits and all other loss, damage, costs, charges and other expenses resulting to the Seller by reason of such cancellation or amendment will be reimbursed by the Purchaser to the Seller forthwith. b) Without prejudice to any other rights and remedies which the Seller may have whether hereunder or otherwise at law or in equity, the Seller shall have the right to cancel the Contract or any other contract with the Purchaser:

(i) if the Purchaser commits any breach of the Contract or any other contract with the Seller; (ii) on the occurrence of an insolvency event in respect of the Purchaser as set out in condition 7(d)(v); and/or (iii) if the Seller has any reason to doubt the credit worthiness of the Purchaser.

18. ASSIGNMENT

The Purchaser shall not assign, or otherwise transfer all or any of its rights, interests or obligations under the Contract without the prior written consent of a director on behalf of the Seller.

19. WAIVER

No waiver of any of the Seller's rights under the Contract shall be effective unless in writing signed by a director on behalf of the Seller. A waiver shall apply only to the specific circumstances in which it is given and shall be without prejudice to the enforcement of the Seller's right in relation to different circumstances or the re-occurrence of similar circumstances.

20. DESIGN ALTERATIONS AND SUBSTITUTION OF GOODS

a) The Seller shall be entitled at any time to alter or change the design or finish of its products as published in the Seller's catalogues subject to reasonable prior notice of any such alteration or change being given to the Purchaser. b) Should any materials or parts or products required for completion of the Contract be unavailable for the performance of the Contract, the Seller reserves the right to supply substitutes reasonably deemed by the Seller to be suitable for the intended purpose of the Goods as understood by the Seller. Such substitutes shall be accepted by the Purchaser in full and final satisfaction and performance of the Seller's obligations in that regard.

21. RIGHTS OF THIRD PARTIES

The Seller and the Purchaser do not intend that any term of these Conditions should be enforceable, by virtue of the Contracts (Rights of Third Parties) Act 1999 or otherwise, by any person who is not a party to the Contract.

22. DATA PROTECTION

The Seller reserves the right to obtain, hold or otherwise process personal data (as such term is defined in the Data Protection Act 1998) relating to the Purchaser or any partner, director or other officer of the Purchaser (the "Data") for the purpose of carrying out the Seller's business and any associated activities. The Data will be held securely and in accordance with the provisions of the Data Protection Act 1998 and may be shared with, disclosed to and/or processed by other companies within the Seller's group, credit reference agencies, banks, credit insurers and other organisations which the Seller nominates. The Purchaser will ensure that any individuals who may be affected by the provisions of this condition 22 are informed. Unless any individual writes to the Seller objecting to the Seller processing his or her personal data for any purpose, it shall be deemed that the individual is aware of and has given his or her consent to the processing.

23. ENGLISH LAW AND JURISDICTION

The Contract shall be governed and construed in all respects by English Law and the Purchaser agrees to submit to the exclusive jurisdiction of the English Courts.

24. HEADINGS

a) The headings of these Conditions do not form part of the Conditions and shall not affect the interpretation thereof. b) Each of the Conditions and each paragraph hereof shall be construed as a separate condition. Should any provision hereof be found to be invalid or unenforceable or illegal by the courts of any jurisdiction to which it is subject then such provision shall be severed from these Conditions.

25. NOTICES

Notice under these Conditions shall be properly given if in writing and sent by registered post to the address of the intended recipient as stated in the Contract or to such address as the Seller or the Purchaser and Seller may from time to time notify to each other as their respective addresses for service and shall be served upon receipt by the intended recipient at such address.



Mechanical Range



School Street, Willenhall,
West Midlands WV13 3PW

www.yalehome.co.uk