



Samsung Built-in Kitchen Appliances 2019

**SAMSUNG**

# Samsung Built-in Kitchen Appliances 2019



**SAMSUNG**





# Contents

<b>Leading Innovation</b>	<b>4</b>
<b>Refrigerator</b>	<b>14</b>
Key Innovation	16
Features	18
Models	20
<b>Oven</b>	<b>34</b>
Key Innovation	36
Features	42
Models	44
Accessories	66
<b>Compact Oven</b>	<b>68</b>
Key Innovation	70
Features	72
Models	74
Accessories	86
<b>Cooktop</b>	<b>88</b>
Key Innovation	90
Features	92
Models	94
Accessories	110
<b>Hood</b>	<b>112</b>
Key Innovation	114
Features	116
Models	118
<b>Dishwasher</b>	<b>128</b>
Key Innovation	130
Features	132
Models	134
<b>Specifications</b>	<b>144</b>
<b>Installation Guide</b>	<b>208</b>
<b>Service</b>	<b>238</b>

# Leading Innovation

#2

**FAST COMPANY**  
2015  
Most Innovative  
Companies in IoT

#7

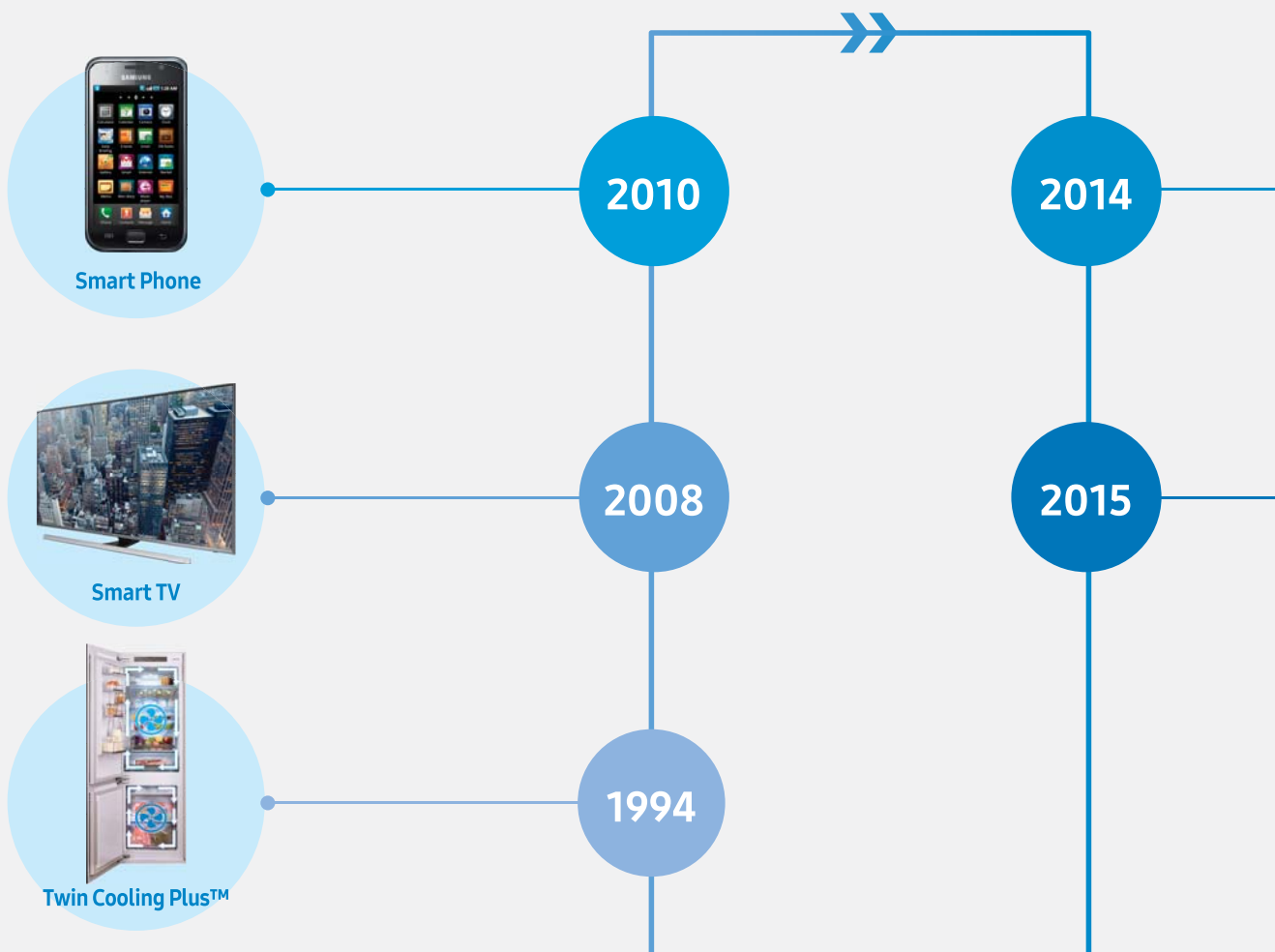
**Interbrand**  
2016  
Best Global  
Brands

#7

**BCG**  
2016  
Most Innovative  
Companies

#13

**FORTUNE**  
2016  
Global 500



REPUTATION  
INSTITUTE

2016

# 3

Most Reputable  
Companies in  
the U.S.

Forbes

2016

# 17

World's Most  
Reputable  
Companies



POWERbot



Family Hub



AddWash™

## Samsung's Heritage of Innovation

Samsung Electronics is a global leader in technology, opening new possibilities for people everywhere. Through relentless innovation and discovery, we are transforming the worlds of TVs, smartphones, wearable devices, tablets, digital appliances, network systems, medical devices and semiconductors. Samsung is also leading in the Internet of Things space through, among others, our Smart Home and Digital Health initiatives. Since being established in Korea in 1969, Samsung Electronics has grown into one of the world's leading technology companies. Today, its global network extends across the world where the creativity, expertise and diverse perspectives of its employees are helping to drive growth.

The digital appliances business offers premium lifestyle appliances for homes that are stylishly designed, eco-friendly, and equipped with convenient and innovative features. Across its refrigerators, air conditioners, washers, cooking appliances, and vacuum cleaners, Samsung has introduced Smart Appliances that are connected, sensory aware and possess the ability to be remotely managed. Samsung plans to continue strengthening basic functions to add value for consumers, such as user convenience and energy-and time-saving features, and expand its sensor and digital technologies.





**What if  
the best of  
innovation  
and design was  
concealed in  
your kitchen?**





1

2



## Introducing new Samsung Built-in Kitchen Appliances

1



**A refrigerator that allows you to convert freezer to fridge and vice versa.**

Need more room to hold cool beverages for a party? Convert the freezer to an extra fridge compartment at the touch of a button.

See page 16 for more information.

2



**An oven that lets you cook two totally different dishes at the same time.**

Create two different dishes at different temperatures at the same time.

See page 34 for more information.

3



**An induction cooktop that projects a virtual flame onto your cookware.**

Enjoy the benefit of seeing a visible flame to better control the heat.

See page 78 for more information.

4



**A dishwasher that uses sweeping walls of water to thoroughly wash your dishes.**

Say goodbye to tough food residues and say hello to sparkling clean dishes from corner to corner.

See page 112 for more information.





## Introducing new Samsung Built-in Kitchen Appliances

The world is full of appliances with "smart technologies." But if those technologies don't improve your day-to-day life, they are not that smart. At Samsung, we don't just design our kitchen appliances around the latest technologies, we design them around you. We strive to understand and solve for aspects of your everyday life. When you see and understand our new built-in kitchen products, you may find yourself asking "Why hasn't anyone thought of this before?" and when you use our appliances, you will know that now there is a better way.

Our products are designed behind four core values:

### **Innovation**

All of our products contain unique new-to-the-world innovations that allow you to cook and clean in new ways that will help make your everyday life easier and your kitchen experience more enjoyable.

### **Flexibility**

Our products are designed to give you maximum flexibility and control over how you choose to cook, clean, and preserve.

### **Design**

Our products are inspired by the designs of premium European kitchens - sleek, minimalist, and modern - while still being practical and easy-to-use.

### **Reliability**

Not only do we take pride in our design and innovations across all our products but we are also committed to ensuring there are no compromises when it comes to dependability and durability of our products.



# Smart Technology

## ① Smarter Control – Wi-Fi Connection

Enjoy simply smarter control anytime and anywhere with a smart phone.

Samsung built-in oven's Wi-Fi Connection lets you **remotely monitor and control** the oven using an app on your smartphone. **From anywhere inside or outside the house**, you can easily check and change settings and adjust cooking times and temperatures. It also helps you to cook like a professional by selecting a Chef Recipe recommended by Michelin 3-Star Chefs.

### 1. Monitoring & Notification

- Monitor cooking mode, time, temperature.
- Receive notification for preheating, cooking, and error code.
- View the manual on mobile phone.
- Check the temperature of meat probe.

### 2. Simple Remote Control

- Turn off the power.
- Control cook time and temperature.

### 3. Recipe Download and Setting

- Find recipes by Michelin 3 star chefs and easily use them at home.

\*Available on Android and iOS devices. A network connection is required.

## ② Smarter Control – Smart Dongle

Control anytime anywhere

Samsung built-in refrigerator is Wi-Fi capable. Using the optional Samsung Smart Dongle and App\*, you can check what it's doing remotely on your smartphone, allowing you to control its rapid cooling modes, monitor the temperature and receive alerts if the door is left open. It even diagnoses errors so you don't have to read the manual.

\*Sold separately.

\*Available on Android and iOS devices. A Wi-Fi connection is required.

### Smart Manager

#### Remote Door Alarm

Accidents happen. Leaving a door open on your refrigerator can result in food spoiling quickly, unnecessary wastage and unwanted expense. But thanks to some clever technology, with the Samsung BRB6000, this becomes a thing of the past. If a door is accidentally left open, the refrigerator will sound an audible alarm. If the door remains open, after 2 minutes, a warning notification is then sent via the App to your smartphone, alerting you to close the door.

#### Rapid Cooling

Providing the optimum cooling environment for your food means your food will stay fresher and taste better for longer. The Rapid Cooling function enables you to remotely control and set the Fridge and Freezer compartment temperatures to the lowest level before you get home – ideal if you are returning from the Supermarket with your shopping.

# Refrigerator

Enjoy ultimate storage capacity and superior cooling technology with Samsung's wide range of 2 door Built-in and Kitchen Fit™ Fridge Freezers.









NO FROST 3° -19°

SAMSUNG

Metal Cooling

Take-Out T

Fresh Zone

Easy Slide

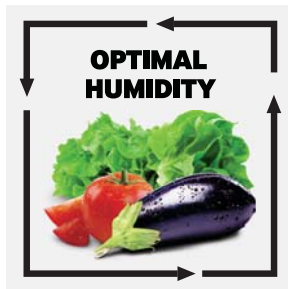
Full Open Box

Below -18°C

32 33 34 35 36 37 38 39 40 41 42 43 44 45 46 47 48 49 50 51 52 53 54 55 56 57 58 59 60 61 62 63 64 65 66 67 68 69 70 71 72 73 74 75 76 77 78 79 80 81 82 83 84 85 86 87 88 89 90 91 92 93 94 95 96 97 98 99 100

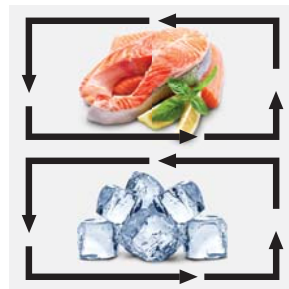
# Twin Cooling Plus™

Twin Cooling Plus™ technology creates the optimal temperature and humidity in the fridge and freezer to preserve food in the best condition and protect its natural flavor and aroma. It cools each compartment independently and prevents odors from mixing between them using their own dedicated evaporators and cooling systems. As a result, it retains more moisture and maintains a high humidity level all over the fridge. So, even the most perishable fruits and vegetables are kept fresher for longer, without them drying out or needing to be wrapped, which helps to reduce waste.



## Optimal Humidity

Thanks to the Twin Cooling Plus™, the fridge compartment has its own dedicated supply of cold air, which maintains an optimal level of humidity.



## No Odor Mixing

Twin Cooling Plus™ system cools the compartments separately to stop unpleasant odors spreading from fridge to freezer. So frozen food retains more natural flavor without being tainted by smells from the fridge.



## Flexibility

The CoolSelect Plus zone provides the ultimate in flexibility, as different foods can be stored at the optimum temperature, so everything stay fresher and tastes great. With one touch it can be easily converted from a freezer to fridge using the optimal pre-set temperatures of 2°C, -1°C, -5°C or -23°C~-15°C.

# Features



## No Frost

No Frost technology enhances the circulation of air to maintain a constant temperature in every corner of the fridge, which prevents the build up of frost and ice. It also reaches the target temperature much faster, increases the cooling system's durability, and avoids wasting power on defrosting.



## CoolSelect Plus Zone

The CoolSelect Plus Zone provides the ultimate in flexibility, as different foods can be stored at the optimum temperature, so everything stays fresher and tastes great. With one touch it can be easily converted from a freezer to fridge using the optimal pre-set temperatures of 2°C, -1°C, -5°C or -15°C~-23°C



## Metal Cooling

The Metal Cooling Plate in the rear wall retains the cold and helps to maintain the optimal temperature within the fridge by restoring any heat loss. So your food is preserved better, even if you frequently open and close the door. It also adds a really premium look and is very easy to wipe clean.



## The Digital Inverter Compressor

The Digital Inverter Compressor automatically adjusts its speed in response to cooling demand across 7 levels. So it uses less energy, minimises noise and reduces wear and tear for a longer-lasting performance. And for complete peace of mind its performance is backed up by a 10 year warranty\*.



## Take-out Tray

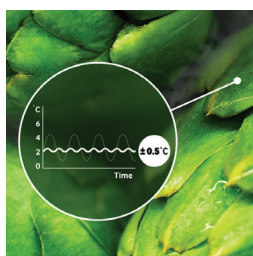
With a Take-Out Tray, you can easily store and access all of your favorite and frequently used food items, like ice cream, frozen vegetables and pizzas. And you can quickly see what's inside because it's transparent.



## Easy Slide Shelf

Reaching into your freezer often means navigating an obstacle course of items, but the Easy Slide Shelf simply slides in and out. So you can efficiently store, organize and access your frozen food – quickly and easily finding and reaching things at the back and in every corner, with no “dead space”.

\*10 year warranty is limited to the compressor only.



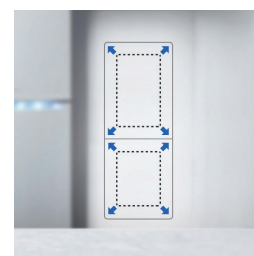
### Precise Chef Cooling™

Chefs say that precise and stable temperature control is the key to keeping food at its freshest. Precise Chef Cooling™ minimizes temperature fluctuation, so all your ingredients retain their original textures and flavors.



### Fresh Zone

Fresh Zone is a smartly designed drawer that provides the ideal environment preserving meat and fish - keeping them at the optimum temperature so they stay fresh and have the best possible flavor.



### Space Max Technology

The Samsung refrigerator offers up to 30% more storage space than a conventional refrigerator of the same dimensions. Its SpaceMax Technology™ is a slim wall that creates extra internal capacity without increasing the external dimensions or compromising energy efficiency.



### Adjustable Door Bin

Four Adjustable Door Bins help you easily organize and flexibly store differently sized items. You can adjust the bins to fit all sizes of bottles, cartons and other items for maximum use of your storage space.



### Wifi With Dongle Ready

With Smart Dongle, you can check what the refrigerator is doing from anywhere at any time. You can control its Rapid Cooling modes, monitor the temperature, and receive alerts if the door is left open. And the refrigerator even diagnoses errors, so you don't have to read the manual.

# Models

## Built-in Fridge Freezers

The Samsung BRB6000 range of Built In Fridge Freezers preserve the original freshness, flavor and texture of food for longer with advanced cooling systems that optimize the temperature and humidity, retain the cold and prevent ice build up. And you can remotely monitor and control it from anywhere at any time with an optional Smart Dongle and App\*.



### BRB260189WW (BRB2G0189WW)

#### Key features

- Twin Cooling Plus™
- Cool Select Plus
- Metal Cooling
- 256L Capacity
- SpaceMax Technology™
- Adjustable Door Bin
- Fresh Zone
- Hot Stamping
- No Frost
- High Energy Efficient A+++
- Digital Inverter Technology™

#### Included accessories:

- Egg Container
- Ice Maker (Tray)



### BRB260089WW

#### Key features

- Twin Cooling Plus™
- Cool Select Plus
- Metal Cooling
- 256L Capacity
- SpaceMax Technology™
- Adjustable Door Bin
- Fresh Zone
- Hot Stamping
- No Frost
- High Energy Efficient A+++
- Digital Inverter Technology™

#### Included accessories:

- Egg Container
- Ice Maker (Tray)



### BRB260178WW (BRB2G0178WW)

#### Key features

- Twin Cooling Plus™
- Cool Select Plus
- 257L Capacity
- SpaceMax Technology™
- Adjustable Door Bin
- Fresh Zone
- Hot Stamping
- No Frost
- High Energy Efficient A+++
- Digital Inverter Technology™

#### Included accessories:

- Egg Container
- Ice Maker (Tray)

\*Sold separately.

\*Available on Android and iOS devices. A Wi-Fi connection is required.



### BRB260187WW (BRB2G0187WW)

#### Key features

- Twin Cooling Plus™
- Cool Select Plus
- Metal Cooling
- 263L Capacity
- SpaceMax Technology™
- Adjustable Door Bin
- Fresh Zone
- Hot Stamping
- No Frost
- High Energy Efficient A++
- Digital Inverter Technology™

#### Included accessories:

- Egg Container
- Ice Maker (Tray)



### BRB260087WW

#### Key features

- Twin Cooling Plus™
- Cool Select Plus
- Metal Cooling
- 263L Capacity
- SpaceMax Technology™
- Adjustable Door Bin
- Fresh Zone
- Hot Stamping
- No Frost
- High Energy Efficient A++
- Digital Inverter Technology™

#### Included accessories:

- Egg Container
- Ice Maker (Tray)



### BRB260176WW (BRB2G0176WW)

#### Key features

- Twin Cooling Plus™
- Cool Select Plus
- 264L Capacity
- SpaceMax Technology™
- Adjustable Door Bin
- Fresh Zone
- Hot Stamping
- No Frost
- High Energy Efficient A++
- Digital Inverter Technology™

#### Included accessories:

- Egg Container
- Ice Maker (Tray)

# Models

## Built-in Fridge Freezers

The Samsung BRB6000 range of Built In Fridge Freezers preserve the original freshness, flavor and texture of food for longer with advanced cooling systems that optimize the temperature and humidity, retain the cold and prevent ice build up. And you can remotely monitor and control it from anywhere at any time with an optional Smart Dongle and App\*.



### BRB260076WW

#### Key features

- Twin Cooling Plus™
- Cool Select Plus
- 264L Capacity
- SpaceMax Technology™
- Adjustable Door Bin
- Fresh Zone
- Hot Stamping
- No Frost
- High Energy Efficient A++
- Digital Inverter Technology™

#### Included accessories:

- Egg Container
- Ice Maker (Tray)



### BRB260135WW (BRB2G0135WW)

#### Key features

- All Around Cooling
- Metal Cooling
- 266L Capacity
- SpaceMax Technology™
- Adjustable Door Bin
- Hot Stamping
- No Frost
- High Energy Efficient A++
- Digital Inverter Technology™

#### Included accessories:

- Egg Container
- Ice Maker (Tray)



### BRB260035WW

#### Key features

- All Around Cooling
- Metal Cooling
- 266L Capacity
- SpaceMax Technology™
- Adjustable Door Bin
- Hot Stamping
- No Frost
- High Energy Efficient A++
- Digital Inverter Technology™

#### Included accessories:

- Egg Container
- Ice Maker (Tray)

\*Sold separately.

\*Available on Android and iOS devices. A Wi-Fi connection is required.



### BRB260134WW (BRB2G0134WW)

#### Key features

- All Around Cooling
- 267L Capacity
- SpaceMax Technology™
- Adjustable Door Bin
- Hot Stamping
- No Frost
- High Energy Efficient A++
- Digital Inverter Technology™

#### Included accessories:

- Egg Container
- Ice Maker (Tray)



### BRB260034WW

#### Key features

- All Around Cooling
- 267L Capacity
- SpaceMax Technology™
- Adjustable Door Bin
- Hot Stamping
- No Frost
- High Energy Efficient A++
- Digital Inverter Technology™

#### Included accessories:

- Egg Container
- Ice Maker (Tray)



### BRB260131WW (BRB2G0131WW)

#### Key features

- All Around Cooling
- Metal Cooling
- 266L Capacity
- SpaceMax Technology™
- Adjustable Door Bin
- Hot Stamping
- No Frost
- High Energy Efficient A+
- Digital Inverter Technology™

#### Included accessories:

- Egg Container
- Ice Maker (Tray)



# Models

## Built-in Fridge Freezers

The Samsung BRB6000 range of Built In Fridge Freezers preserve the original freshness, flavor and texture of food for longer with advanced cooling systems that optimize the temperature and humidity, retain the cold and prevent ice build up. And you can remotely monitor and control it from anywhere at any time with an optional Smart Dongle and App\*.



### BRB260031WW

#### Key features

- All Around Cooling
- Metal Cooling
- 266L Capacity
- SpaceMax Technology™
- Adjustable Door Bin
- Hot Stamping
- No Frost
- High Energy Efficient A+
- Digital Inverter Technology™

#### Included accessories:

- Egg Container
- Ice Maker (Tray)



### BRB260130WW (BRB2G0130WW)

#### Key features

- All Around Cooling
- 267L Capacity
- SpaceMax Technology™
- Adjustable Door Bin
- Hot Stamping
- No Frost
- High Energy Efficient A+
- Digital Inverter Technology™

#### Included accessories:

- Egg Container
- Ice Maker (Tray)



### BRB260030WW

#### Key features

- All Around Cooling
- 267L Capacity
- SpaceMax Technology™
- Adjustable Door Bin
- Hot Stamping
- No Frost
- High Energy Efficient A+
- Digital Inverter Technology™

#### Included accessories:

- Egg Container
- Ice Maker (Tray)

\*Sold separately.

\*Available on Android and iOS devices. A Wi-Fi connection is required.



## BRB260010WW

### Key features

- All Around Cooling
- 268L Capacity
- SpaceMax Technology™
- Adjustable Door Bin
- No Frost
- High Energy Efficient A<sup>+</sup>
- Digital Inverter Technology™

### Included accessories:

- Egg Container
- Ice Maker (Tray)



## BRB260000WW

### Key features

- All Around Cooling
- 268L Capacity
- SpaceMax Technology™
- Adjustable Door Bin
- No Frost
- High Energy Efficient A<sup>+</sup>
- Digital Inverter Technology™

### Included accessories:

- Egg Container
- Ice Maker (Tray)

# Models

## Built-in Fridge

with freezer compartment

The Samsung 1-door refrigerator's advanced technology has been extensively evaluated against strict criteria. It is proven to use less power without losing performance or functionality.

And tempered glass shelves with LED lighting can safely hold heavy items and easily find any size item.



### BRR13R121WW

#### Key features

- 128L Capacity
- Tempered Glass Shelves
- Vegetable Box
- LED Lighting
- High Energy Efficient A++



### BRR16R121WW

#### Key features

- 154L Capacity
- Tempered Glass Shelves
- Vegetable Box
- LED Lighting
- High Energy Efficient A++



### BRR20R121WW

#### Key features

- 193L Capacity
- Tempered Glass Shelves
- Vegetable Box
- LED Lighting
- High Energy Efficient A++

# Models

## Kitchen Fit™ Fridge Freezers

You don't have to compromise between capacity and design anymore. The new Samsung Kitchen Fit™ fridge freezer completes a seamless look with a flush integration with your kitchen furniture, while offering more storage space thanks to Samsung SpaceMax Technology™.



### RB33R8717S9

#### Key features

- Kitchen Fit™ Design
- 350L Capacity
- Twin Cooling Plus™
- Metal Plate
- SpaceMax Technology™
- Ice Blue Handle Lighting
- Adjustable Door Bin
- Hot Stamping
- No Frost
- A++ Energy
- Digital Inverter Technology™

#### Included accessories:

- Chef Pan™
- Take Out Box
- Bottle Rack
- Egg Container
- Ice Maker (Tray + Ice Cube)



### RB33R8717SR

#### Key features

- Kitchen Fit™ Design
- 350L Capacity
- Twin Cooling Plus™
- Metal Plate
- SpaceMax Technology™
- Ice Blue Handle Lighting
- Adjustable Door Bin
- Hot Stamping
- No Frost
- A++ Energy
- Digital Inverter Technology™

#### Included accessories:

- Chef Pan™
- Take Out Box
- Bottle Rack
- Egg Container
- Ice Maker (Tray + Ice Cube)



### RB33R8737S9

#### Key features

- Kitchen Fit™ Design
- 350L Capacity
- Twin Cooling Plus™
- Metal Plate
- SpaceMax Technology™
- Ice Blue Handle Lighting
- Adjustable Door Bin
- Hot Stamping
- No Frost
- A++ Energy
- Digital Inverter Technology™

#### Included accessories:

- Chef Pan™
- Take Out Box
- Bottle Rack
- Egg Container
- Ice Maker (Tray + Ice Cube)

# Models

## Kitchen Fit™ Fridge Freezers

You don't have to compromise between capacity and design anymore. The new Samsung Kitchen Fit™ fridge freezer completes a seamless look with a flush integration with your kitchen furniture, while offering more storage space thanks to Samsung SpaceMax Technology™.



### RB33R8737B1

#### Key features

- Kitchen Fit™ Design
- 350L Capacity
- Twin Cooling Plus™
- Metal Plate
- SpaceMax Technology™
- Ice Blue Handle Lighting
- Adjustable Door Bin
- Hot Stamping
- No Frost
- A++ Energy
- Digital Inverter Technology™

#### Included accessories:

- Chef Pan™
- Take Out Box
- Bottle Rack
- Egg Container
- Ice Maker (Tray + Ice Cube)



### RB33R8739SR

#### Key features

- Kitchen Fit™ Design
- 350L Capacity
- Twin Cooling Plus™
- Metal Plate
- SpaceMax Technology™
- Ice Blue Handle Lighting
- Adjustable Door Bin
- Hot Stamping
- No Frost
- A+++ Energy
- Digital Inverter Technology™

#### Included accessories:

- Chef Pan™
- Take Out Box
- Bottle Rack
- Egg Container
- Ice Maker (Tray + Ice Cube)



### RB33R8837SR

#### Key features

- Kitchen Fit™ Design
- 350L Capacity
- Twin Cooling Plus™
- Metal Plate
- SpaceMax Technology™
- Ice Blue Handle Lighting
- Adjustable Door Bin
- Hot Stamping
- No Frost
- A++ Energy
- Digital Inverter Technology™

#### Included accessories:

- Chef Pan™
- Take Out Box
- Bottle Rack
- Egg Container
- Ice Maker (Tray + Ice Cube)



### RB33R8837S9

#### Key features

- Kitchen Fit™ Design
- 350L Capacity
- Twin Cooling Plus™
- Metal Plate
- SpaceMax Technology™
- Ice Blue Handle Lighting
- Adjustable Door Bin
- Hot Stamping
- No Frost
- A++ Energy
- Digital Inverter Technology™

#### Included accessories:

- Chef Pan™
- Take Out Box
- Bottle Rack
- Egg Container
- Ice Maker (Tray + Ice Cube)



### RB33R8899B1

#### Key features

- Kitchen Fit™ Design
- 350L Capacity
- Precise Chef Cooling™
- Chef Zone (Telescopic Rail)
- Twin Cooling Plus™
- Metal Plate
- SpaceMax Technology™
- Ice Blue Handle Lighting
- Adjustable Door Bin
- Hot Stamping
- No Frost
- A+++ Energy
- Digital Inverter Technology™

#### Included accessories:

- Chef Pan™
- Take Out Box
- Bottle Rack
- Egg Container
- Ice Maker (Tray + Ice Cube)



### RB33R8899SR

#### Key features

- Kitchen Fit™ Design
- 350L Capacity
- Precise Chef Cooling™
- Chef Zone (Telescopic Rail)
- Twin Cooling Plus™
- Metal Plate
- SpaceMax Technology™
- Ice Blue Handle Lighting
- Adjustable Door Bin
- Hot Stamping
- No Frost
- A+++ Energy
- Digital Inverter Technology™

#### Included accessories:

- Chef Pan™
- Take Out Box
- Bottle Rack
- Egg Container
- Ice Maker (Tray + Ice Cube)

# Models

## Kitchen Fit™ Fridge Freezers

You don't have to compromise between capacity and design anymore. The new Samsung Kitchen Fit™ fridge freezer completes a seamless look with a flush integration with your kitchen furniture, while offering more storage space thanks to Samsung SpaceMax Technology™.



### RB36R8717S9

#### Key features

- Kitchen Fit™ Design
- 350L Capacity
- Twin Cooling Plus™
- Metal Plate
- SpaceMax Technology™
- Ice Blue Handle Lighting
- Adjustable Door Bin
- Hot Stamping
- No Frost
- A++ Energy
- Digital Inverter Technology™

#### Included accessories:

- Chef Pan™
- Take Out Box
- Bottle Rack
- Egg Container
- Ice Maker (Tray + Ice Cube)



### RL36R8739S9

#### Key features

- Kitchen Fit™ Design
- 350L Capacity
- Twin Cooling Plus™
- Metal Plate
- SpaceMax Technology™
- Ice Blue Handle Lighting
- Adjustable Door Bin
- Hot Stamping
- No Frost
- A+++ Energy
- Digital Inverter Technology™

#### Included accessories:

- Chef Pan™
- Take Out Box
- Bottle Rack
- Egg Container
- Ice Maker (Tray + Ice Cube)



### RB36R8737S9

#### Key features

- Kitchen Fit™ Design
- 350L Capacity
- Twin Cooling Plus™
- Metal Plate
- SpaceMax Technology™
- Ice Blue Handle Lighting
- Adjustable Door Bin
- Hot Stamping
- No Frost
- A++ Energy
- Digital Inverter Technology™

#### Included accessories:

- Chef Pan™
- Take Out Box
- Bottle Rack
- Egg Container
- Ice Maker (Tray + Ice Cube)



### RL36R8739B1

#### Key features

- Kitchen Fit™ Design
- 350L Capacity
- Twin Cooling Plus™
- Metal Plate
- SpaceMax Technology™
- Ice Blue Handle Lighting
- Adjustable Door Bin
- Hot Stamping
- No Frost
- A+++ Energy
- Digital Inverter Technology™

#### Included accessories:

- Chef Pan™
- Take Out Box
- Bottle Rack
- Egg Container
- Ice Maker (Tray + Ice Cube)



### RB36R8799SR

#### Key features

- Kitchen Fit™ Design
- 350L Capacity
- Precise Chef Cooling™
- Chef Zone (Telescopic Rail)
- Twin Cooling Plus™
- Metal Plate
- SpaceMax Technology™
- Ice Blue Handle Lighting
- Adjustable Door Bin
- Hot Stamping
- No Frost
- A+++ Energy
- Digital Inverter Technology™

#### Included accessories:

- Chef Pan™
- Take Out Box
- Bottle Rack
- Egg Container
- Ice Maker (Tray + Ice Cube)



### RB36R8817SR

#### Key features

- Kitchen Fit™ Design
- 350L Capacity
- Twin Cooling Plus™
- Metal Plate
- SpaceMax Technology™
- Ice Blue Handle Lighting
- Adjustable Door Bin
- Hot Stamping
- No Frost
- A++ Energy
- Digital Inverter Technology™

#### Included accessories:

- Chef Pan™
- Take Out Box
- Bottle Rack
- Egg Container
- Ice Maker (Tray + Ice Cube)



# Models

## Kitchen Fit™ Fridge Freezers

You don't have to compromise between capacity and design anymore. The new Samsung Kitchen Fit™ fridge freezer completes a seamless look with a flush integration with your kitchen furniture, while offering more storage space thanks to Samsung SpaceMax Technology™.



### RB36R8839SR

#### Key features

- Kitchen Fit™ Design
- 350L Capacity
- Twin Cooling Plus™
- Metal Plate
- SpaceMax Technology™
- Ice Blue Handle Lighting
- Adjustable Door Bin
- Hot Stamping
- No Frost
- A+++ Energy
- Digital Inverter Technology™

#### Included accessories:

- Chef Pan™
- Take Out Box
- Bottle Rack
- Egg Container
- Ice Maker (Tray + Ice Cube)



### RB36R8837S9

#### Key features

- Kitchen Fit™ Design
- 350L Capacity
- Twin Cooling Plus™
- Metal Plate
- SpaceMax Technology™
- Ice Blue Handle Lighting
- Adjustable Door Bin
- Hot Stamping
- No Frost
- A++ Energy
- Digital Inverter Technology™

#### Included accessories:

- Chef Pan™
- Take Out Box
- Bottle Rack
- Egg Container
- Ice Maker (Tray + Ice Cube)



### RB36R8899SR

#### Key features

- Kitchen Fit™ Design
- 350L Capacity
- Precise Chef Cooling™
- Chef Zone (Telescopic Rail)
- Twin Cooling Plus™
- Metal Plate
- SpaceMax Technology™
- Ice Blue Handle Lighting
- Adjustable Door Bin
- Hot Stamping
- No Frost
- A+++ Energy
- Digital Inverter Technology™

#### Included accessories:

- Chef Pan™
- Take Out Box
- Bottle Rack
- Egg Container
- Ice Maker (Tray + Ice Cube)



## RB36R8899B1

### Key features

- Kitchen Fit™ Design
- 350L Capacity
- Precise Chef Cooling™
- Chef Zone (Telescopic Rail)
- Twin Cooling Plus™
- Metal Plate
- SpaceMax Technology™
- Ice Blue Handle Lighting
- Adjustable Door Bin
- Hot Stamping
- No Frost
- A+++ Energy
- Digital Inverter Technology™

### Included accessories:

- Chef Pan™
- Take Out Box
- Bottle Rack
- Egg Container
- Ice Maker (Tray + Ice Cube)





# Oven

Samsung Built-in Ovens are designed for people who want eye-catching style and great results, with the minimum of effort. With Dual Cook technology, you can cook multiple dishes at once and all with the precision needed for professional-quality food.



# Dual Cook Flex™

One Oven. Many combinations. Every taste

The Samsung Dual Cook Flex™ allows you to cook two different dishes simultaneously, at two different temperatures. And with a Flex Door you can access the top compartment without disturbing what's cooking below. No one day is the same, so why should your cooking be?

## One flexible door. Opens two ways. Flexible Door

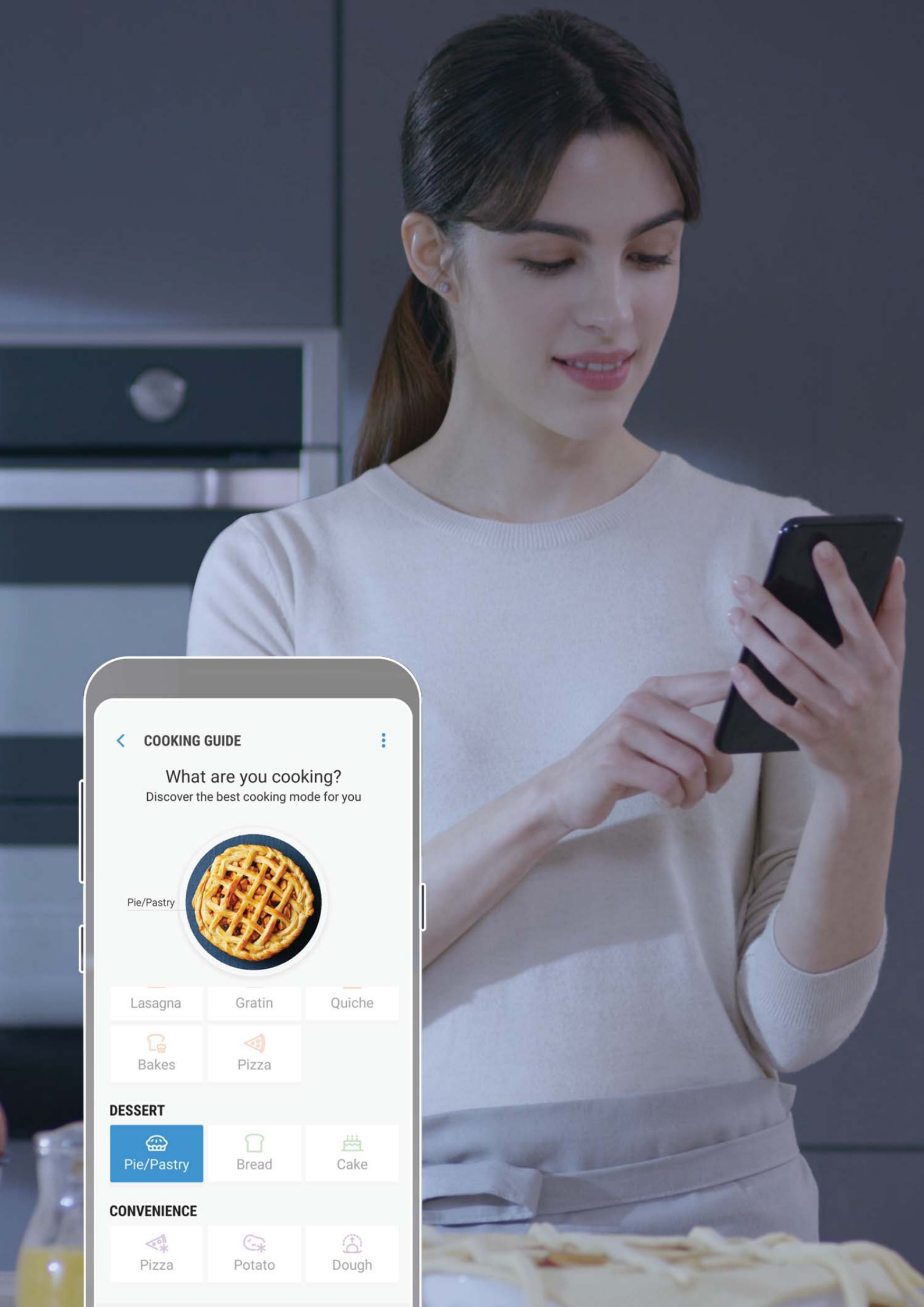
Enjoy complete flexibility to cook various dishes with the flexible door. Open the top half to use the upper zone for smaller meals. Also, easily access the upper zone while cooking different foods without heat loss to the lower zone. Or you can open the entire door when using the whole oven.



## Cook more dishes much more efficiently Dual Cook with Flexible Door


You can easily use the upper zone and bottom zone at the same time with different temperature and time settings to get optimal cooking results in both zones without losing heat or hinder cooking in the lower zone. So you can efficiently prepare different dishes and enjoy the best taste.










**< COOKING GUIDE** ⋮

What are you cooking?  
Discover the best cooking mode for you




Pie/Pastry 

Lasagna	Gratin	Quiche
 Bakes	 Pizza	

**DESSERT**

 Pie/Pastry	 Bread	 Cake
------------------------------------------------------------------------------------------------	-------------------------------------------------------------------------------------------	------------------------------------------------------------------------------------------

**CONVENIENCE**

 Pizza	 Potato	 Dough
-------------------------------------------------------------------------------------------	--------------------------------------------------------------------------------------------	-------------------------------------------------------------------------------------------

## Wifi-Connection



## SmartThings

# Easier and intuitive cooking

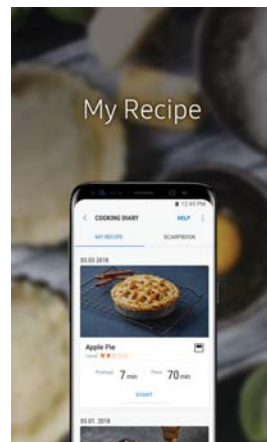
Cooking Guide recommends optimal cooking mode for a dish, even for simultaneous cooking in upper&lower zone. My Recipe lets you save how you cooked meals, so they're easy to make again. Scrapbook stores recipes, so they are easy to access.

## Intuitive Smart Cooking contents



### Cooking Guide

Recommends the best oven cooking mode, temperature and cooking time based on the ingredients and type of food you're making. You can also change it to suit your personal preferences.



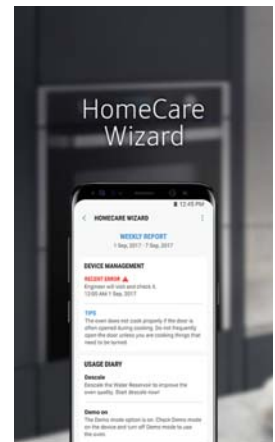
### My Recipe

Records your cooking history and notes so you can easily refer back to it. You can also use your camera to take pictures while cooking and save it here.



### Scrapbook

Save any recipe you see on the web easily.



### HomeCare Wizard

Receive alerts of potential issues with quick troubleshooting and accurate diagnostics to keep your oven at optimal condition. It even sends reminders when it's time to run the self-cleaning feature and offers helpful guides for better usage.





# Dual Cook

Dual Cook technology gives you complete flexibility to cook multiple dishes simultaneously at different temperatures. Its upper and lower cooking zones can be used independently or together – offering flexibility, while saving time and energy. By inserting a divider you can use one zone for smaller meals or create two independently controlled cavities to cook a variety of dishes and different size meals simultaneously, using separate temperature and time settings. And if you remove the divider you can use the whole oven for large dishes, like a holiday turkey.

## 4 Ovens in 1



### Energy Saving

Its upper and lower cooking zones can be used separately to save energy.



### Time Saving

It can be divided into two small ovens using a divider that enables you to save time by cooking two different dishes at once.



### Large Capacity

The upper and lower cooking zones can be used together for large dishes such as a turkey.

# Features



## Gourmet Vapour Technology™

Gourmet Vapour Technology™ optimizes the taste and texture of your food, especially during baking or roasting. The technology creates a super-heated vapour that quickly spreads from corner to corner to ensure even cooking, even across multiple levels. So food is deliciously crispy and brown outside.



## Meat Probe

A Meat Probe allows you to monitor the internal food temperature without any guesswork by clearly indicating when meat is thoroughly cooked, all without opening the oven door and releasing heat.



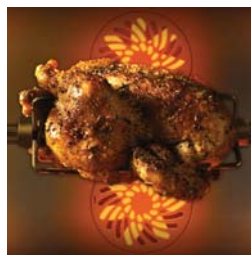
## Soft Closing Door

The Soft Closing Door smoothly and gently opens and closes with minimal noise. The door's hinge helps it to slowly come to a stop safely, giving you complete peace of mind.



## Guide Lighting Control

You can control cooking temperatures and times, select functions and set clean options easily with an intuitive step-by-step display. By following the lights it clearly shows you what to do next, based on the last option you chose, so you can prepare delicious meals without reaching for the instruction manual.



## Rotisserie

With rotisserie, meats become more tender, juicier, and easier to baste. Whenever you need it, just put the rotisserie attachment into place.



## Wi-fi Connection

Samsung Built-in Oven's Wi-Fi Connection lets you remotely monitor and control the oven using an app on your smartphone. From anywhere inside or outside the house, you can easily check and change settings, and adjust cooking times and temperatures.



### Cleaning (Steam)

Steam Clean helps remove even the most stubborn grime. It uses just a small amount of water inside the oven to create hot steam that loosens grease and food residue, so it's much easier to wipe off.



### Real Steam Cooking

Get your meal just right with Real Steam Cooking. It is a healthy way to roast and bake keeping fat and salt levels low, and preventing foods from drying out. Moreover, Real Steam Cooking makes your favorite food have a beautiful golden brown crust with crispy texture while keeping moisture inside.



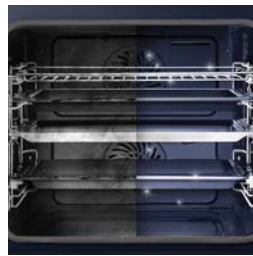
### Full Touch TFT Color LCD Control

A 4.6" full-touch TFT LCD display offers a much simpler and easier way to cook – exactly how you want to. You can select and control a range of functions and settings, such as cooking mode, temperature and time, with the simple touch of your finger.



### Telescopic Rail

A Telescopic Rail slides in and out smoothly with hardly any effort, even if you're using large pans or heavy dishes. So you can keep on basting, turning and seasoning your food – without any mess or spills.



### Self Cleaning (Pyrolytic)

A Pyrolytic system keeps your oven neat and clean without any time-consuming scrubbing. It heats the oven cavity to burn off any grease and residue left from cooking, leaving only a few ashes to wipe away.



### Cleaning (Catalytic)

Imagine an oven that cleans itself while it's working. With Catalytic cleaning the food remnant tray collects grease and residue and chemically dissolves them, so your oven is always clean.

# Models

## Dual Cook Flex™

Cook efficiently with less effort and more taste!

A hinged flexible door and Dual Cook system give you the flexibility to cook various types of dishes at the same time, saving time and energy and optimizing results. Wi-Fi Connectivity also lets you monitor and control it anytime, anywhere with an App\*.



### NV75N7678RS

#### Key features

- Dual Cook
- Flexible Door
- Wi-Fi Connection
- Intuitive & Easy LED Display Guide Lighting Control
- 75L Large & Useful Capacity
- Energy Class A<sup>+</sup>
- Auto Cook 40 Recipes
- Pyrolytic Clean
- Steam Clean
- Child Safety Lock

#### Included accessories:

- Telescopic (1Level)
- Meat Probe
- Rotisserie Spit (1EA)
- Universal Tray (2EA)
- Wire Rack (1EA)
- Cookbook (CD)



### NV75N7677RS

#### Key features

- Dual Cook
- Flexible Door
- Wi-Fi Connection
- Intuitive & Easy LED Display Guide Lighting Control
- 75L Large & Useful Capacity
- Energy Class A<sup>+</sup>
- Auto Cook 40 Recipes
- Pyrolytic Clean
- Steam Clean
- Child Safety Lock

#### Included accessories:

- Telescopic (1Level)
- Rotisserie Spit (1EA)
- Universal Tray (2EA)
- Wire Rack (1EA)
- Cookbook (CD)



### NV75N7647RS

#### Key features

- Dual Cook
- Flexible Door
- Wi-Fi Connection
- Intuitive & Easy LED Display Guide Lighting Control
- 75L Large & Useful Capacity
- Energy Class A<sup>+</sup>
- Auto Cook 40 Recipes
- Catalytic Clean
- Steam Clean
- Child Safety Lock

#### Included accessories:

- Telescopic (1Level)
- Universal Tray (2EA)
- Wire Rack (1EA)
- Cookbook (CD)



### NV75N7646RS

#### Key features

- Dual Cook
- Flexible Door
- Intuitive & Easy LED Display Guide Lighting Control
- 75L Large & Useful Capacity
- Energy Class A<sup>+</sup>
- Auto Cook 40 Recipes
- Catalytic Clean
- Steam Clean
- Child Safety Lock

#### Included accessories:

- Telescopic (1Level)
- Universal Tray (2EA)
- Wire Rack (1EA)
- Cookbook (CD)



### NV75N7646RB

#### Key features

- Dual Cook
- Full Black Glass Design
- Flexible Door
- Intuitive & Easy LED Display Guide Lighting Control
- 75L Large & Useful Capacity
- Energy Class A<sup>+</sup>
- Auto Cook 40 Recipes
- Catalytic Clean
- Steam Clean
- Child Safety Lock

#### Included accessories:

- Telescopic (1Level)
- Universal Tray (2EA)
- Wire Rack (1EA)
- Cookbook (CD)



### NV75N5671RS

#### Key features

- Dual Cook
- Flexible Door
- 75L Large & Useful Capacity
- Energy Class A<sup>+</sup>
- Auto Cook 40 Recipes
- Pyrolytic Clean
- Steam Clean
- Child Safety Lock

#### Included accessories:

- Telescopic (1Level)
- Universal Tray (1EA)
- Wire Rack (1EA)
- Wire Inlay (1EA)
- Cookbook (CD)

# Models

## Dual Cook Flex™

Cook efficiently with less effort and more taste!

A hinged flexible door and Dual Cook system give you the flexibility to cook various types of dishes at the same time, saving time and energy and optimizing results. Wi-Fi Connectivity also lets you monitor and control it anytime, anywhere with an App\*.



### NV75N567IRM

#### Key features

- Dual Cook
- Black Stainless Steel (Matt)
- Flexible Door
- 75L Large & Useful Capacity
- Energy Class A<sup>+</sup>
- Auto Cook 40 Recipes
- Pyrolytic Clean
- Steam Clean
- Child Safety Lock

#### Included accessories:

- Telescopic (1Level)
- Universal Tray (1EA)
- Wire Rack (1EA)
- Wire Inlay (1EA)
- Cookbook (CD)



### NV75N567IRB

#### Key features

- Dual Cook
- Full Black Glass Design
- Flexible Door
- 75L Large & Useful Capacity
- Energy Class A<sup>+</sup>
- Auto Cook 40 Recipes
- Pyrolytic Clean
- Steam Clean
- Child Safety Lock

#### Included accessories:

- Telescopic (1Level)
- Universal Tray (1EA)
- Wire Rack (1EA)
- Wire Inlay (1EA)
- Cookbook (CD)



### NV75N567IBS

#### Key features

- Dual Cook
- Flexible Door
- 75L Large & Useful Capacity
- Energy Class A<sup>+</sup>
- Auto Cook 40 Recipes
- Pyrolytic Clean
- Steam Clean
- Child Safety Lock

#### Included accessories:

- Universal Tray (1EA)
- Wire Rack (1EA)
- Wire Inlay (1EA)
- Cookbook (CD)



### NV75N5641RS

#### Key features

- Dual Cook
- Flexible Door
- 75L Large & Useful Capacity
- Energy Class A<sup>+</sup>
- Auto Cook 40 Recipes
- Catalytic Clean
- Steam Clean
- Child Safety Lock

#### Included accessories:

- Telescopic (1Level)
- Universal Tray (1EA)
- Wire Rack (1EA)
- Wire Inlay (1EA)
- Cookbook (CD)



### NV75N5641RB

#### Key features

- Dual Cook
- Full Black Glass Design
- Flexible Door
- 75L Large & Useful Capacity
- Energy Class A<sup>+</sup>
- Auto Cook 40 Recipes
- Catalytic Clean
- Steam Clean
- Child Safety Lock

#### Included accessories:

- Telescopic (1Level)
- Universal Tray (1EA)
- Wire Rack (1EA)
- Wire Inlay (1EA)
- Cookbook (CD)



### NV75N5641BS

#### Key features

- Dual Cook
- Flexible Door
- 75L Large & Useful Capacity
- Energy Class A<sup>+</sup>
- Auto Cook 40 Recipes
- Catalytic Clean
- Steam Clean
- Child Safety Lock

#### Included accessories:

- Universal Tray (1EA)
- Wire Rack (1EA)
- Wire Inlay (1EA)
- Cookbook (CD)



# Models

## Gourmet Vapour Technology™

Gourmet Vapour Technology™ optimizes the taste and texture of your food by surrounding it with vapour that quickly and evenly transfers heat and moisture, resulting in food that's deliciously crispy outside, but soft and juicy inside.



### NV73J9770RS

#### Key features

- Gourmet Vapour Technology™
- Intuitive Touch TFT LCD
- Wi-fi Connection
- Energy Class A+
- Soft Closing Door
- 73L Capacity
- Pyrolytic Clean
- Steam Clean

#### Included accessories:

- Meat Probe
- Telescopic (1Level)
- Universal Tray (1EA)
- Extra Deep Tray (1EA)
- Wire Rack (1EA)
- Wire Inlay (1EA)
- Cookbook (CD)



### NV73N9770RM

#### Key features

- Gourmet Vapour Technology™
- Black Stainless Steel (Matt)
- Intuitive Touch TFT LCD
- Wi-Fi Connection
- Energy Class A+
- Soft Closing Door
- 73L Capacity
- Pyrolytic Clean
- Steam Clean

#### Included accessories:

- Meat Probe
- Telescopic (1Level)
- Universal Tray (1EA)
- Extra Deep Tray (1EA)
- Wire Rack (1EA)
- Wire Inlay (1EA)
- Cookbook (CD)



### NV73J7740RS

#### Key features

- Gourmet Vapour Technology™
- Intuitive Touch LED
- Energy Class A+
- Soft Closing Door
- 73L Capacity
- Catalytic Clean
- Steam Clean

#### Included accessories:

- Meat Probe
- Telescopic (1Level)
- Universal Tray (1EA)
- Extra Deep Tray (1EA)
- Wire Rack (1EA)
- Wire Inlay (1EA)
- Cookbook (CD)

# Models

## Steam Twin™

Enjoy deliciously succulent and healthy steam cooked food. Real Steam Cooking locks in moisture and vital nutrients, while Dual Cook Technology lets you cook different foods simultaneously.



### BQ1VD6T131

#### Key features

- Dual Cook & Steam Cook by Steam Twin™
- Easy Water Supply & Drain System
- Powerful Steam Generator & Descaling System
- 68L Large & Useful Capacity
- Energy Class A
- Auto Cook 25 Recipes, Steam Auto Cook 25 Recipes
- Child Safety Lock
- Catalytic Clean
- Steam Clean

#### Included accessories:

- Telescopic (2Level)
- Baking Tray (1EA)
- Universal Tray (1EA)
- Steam Container (1EA)
- Wire Rack (1EA)
- Wire Inlay (1EA)

# Models

## Dual Cook

Dual Cook technology gives you complete flexibility with upper and lower cooking zones that can be used independently, with different temperature and time settings, or you can use the whole oven for large dishes.



### NV75M7572RS

#### Key features

- Dual Cook
- Intuitive & Easy LED Display
- Guide Lighting Control
- 75L Large & Useful Capacity
- Energy Class A
- Auto Cook 40 Recipes
- Pyrolytic Clean
- Steam Clean
- Child Safety Lock

#### Included accessories:

- Telescopic (1Level)
- Meat Probe
- Rotisserie Spit (1EA)
- Universal Tray (2EA)
- Wire Rack (1EA)
- Cookbook (CD)



### NV75J7570RS

#### Key features

- Dual Cook
- Intuitive & Easy LED Display
- Guide Lighting Control
- 75L Large & Useful Capacity
- Energy Class A
- Auto Cook 40 Recipes
- Soft Closing Door
- Child Safety Lock
- Pyrolytic Clean
- Steam Clean

#### Included accessories:

- Telescopic (1Level)
- Rotisserie Spit (1EA)
- Universal Tray (2EA)
- Wire Rack (1EA)
- Cookbook (CD)



### NV75N7546RS

#### Key features

- Dual Cook
- Intuitive & Easy LED Display
- Guide Lighting Control
- 75L Large & Useful Capacity
- Energy Class A
- Auto Cook 40 Recipes
- Catalytic Clean
- Steam Clean
- Child Safety Lock

#### Included accessories:

- Telescopic (1Level)
- Universal Tray (2EA)
- Wire Rack (1EA)
- Cookbook (CD)



### NV75N7546RB

#### Key features

- Dual Cook
- Full Black Glass Design
- Intuitive & Easy LED Display Guide Lighting Control
- 75L Large & Useful Capacity
- Energy Class A
- Auto Cook 40 Recipes
- Catalytic Clean
- Steam Clean
- Child Safety Lock

#### Included accessories:

- Telescopic (1Level)
- Universal Tray (2EA)
- Wire Rack (1EA)
- Cookbook (CD)



### NV75J5540RS

#### Key features

- Dual Cook
- Intuitive & Easy LED Display Guide Lighting Control
- 75L Large & Useful Capacity
- Energy Class A
- Auto Cook 40 Recipes
- Soft Closing Door
- Child Safety Lock
- Catalytic Clean
- Steam Clean

#### Included accessories:

- Telescopic (1Level)
- Universal Tray (2EA)
- Wire Rack (1EA)
- Cookbook (CD)



### NV75M5572RS

#### Key features

- Dual Cook
- 75L Large & Useful Capacity
- Energy Class A
- Auto Cook 40 Recipes
- Pyrolytic Clean
- Steam Clean
- Child Safety Lock

#### Included accessories:

- Telescopic (1Level)
- Meat Probe
- Universal Tray (1EA)
- Wire Rack (1EA)
- Wire Inlay (1EA)
- Cookbook (CD)

# Models

## Dual Cook

Dual Cook technology gives you complete flexibility with upper and lower cooking zones that can be used independently, with different temperature and time settings, or you can use the whole oven for large dishes.



### NV75N5573RS

#### Key features

- Dual Cook
- 75L Large & Useful Capacity
- Energy Class A
- Soft Closing Door
- Auto Cook 40 Recipes
- Pyrolytic Clean
- Steam Clean
- Child Safety Lock

#### Included accessories:

- Telescopic Rail (1Level)
- Universal Tray (1EA)
- Wire Rack (1EA)
- Wire Inlay (1EA)
- Cookbook (CD)



### NV75K5571RS

#### Key features

- Dual Cook
- 75L Large & Useful Capacity
- Energy Class A
- Auto Cook 40 Recipes
- Child Safety Lock
- Pyrolytic Clean
- Steam Clean

#### Included accessories:

- Telescopic (1Level)
- Universal Tray (1EA)
- Wire Rack (1EA)
- Wire Inlay (1EA)
- Cookbook (CD)



### NV75K5571RM

#### Key features

- Dual Cook
- Black Stainless Steel (Matt)
- 75L Large & Useful Capacity
- Energy Class A
- Auto Cook 40 Recipes
- Child Safety Lock
- Pyrolytic Clean
- Steam Clean

#### Included accessories:

- Telescopic (1Level)
- Universal Tray (1EA)
- Wire Rack (1EA)
- Wire Inlay (1EA)
- Cookbook (CD)



### NV75K5571BS

#### Key features

- Dual Cook
- 75L Large & Useful Capacity
- Energy Class A
- Auto Cook 40 Recipes
- Child Safety Lock
- Pyrolytic Clean
- Steam Clean

#### Included accessories:

- Universal Tray (1EA)
- Wire Rack (1EA)
- Wire Inlay (1EA)
- Cookbook (CD)



### NV75K5541RS

#### Key features

- Dual Cook
- 75L Large & Useful Capacity
- Energy Class A
- Auto Cook 40 Recipes
- Child Safety Lock
- Catalytic Clean
- Steam Clean

#### Included accessories:

- Telescopic (1Level)
- Universal Tray (1EA)
- Wire Rack (1EA)
- Wire Inlay (1EA)
- Cookbook (CD)



### NV75K5541RM

#### Key features

- Dual Cook
- Black Stainless Steel (Matt)
- 75L Large & Useful Capacity
- Energy Class A
- Auto Cook 40 Recipes
- Child Safety Lock
- Catalytic Clean
- Steam Clean

#### Included accessories:

- Telescopic (1Level)
- Universal Tray (1EA)
- Wire Rack (1EA)
- Wire Inlay (1EA)
- Cookbook (CD)

# Models

## Dual Cook

Dual Cook technology gives you complete flexibility with upper and lower cooking zones that can be used independently, with different temperature and time settings, or you can use the whole oven for large dishes.



### NV75K554IRG

#### Key features

- Dual Cook
- Black Stainless Steel (Glossy)
- 75L Large & Useful Capacity
- Energy Class A
- Auto Cook 40 Recipes
- Child Safety Lock
- Catalytic Clean
- Steam Clean

#### Included accessories:

- Telescopic (1Level)
- Universal Tray (1EA)
- Wire Rack (1EA)
- Wire Inlay (1EA)
- Cookbook (CD)



### NV75K554IRB

#### Key features

- Dual Cook
- Full Black Glass Design
- 75L Large & Useful Capacity
- Energy Class A
- Auto Cook 40 Recipes
- Child Safety Lock
- Catalytic Clean
- Steam Clean

#### Included accessories:

- Telescopic (1Level)
- Universal Tray (1EA)
- Wire Rack (1EA)
- Wire Inlay (1EA)
- Cookbook (CD)



### NV75K554IBS

#### Key features

- Dual Cook
- 75L Large & Useful Capacity
- Energy Class A
- Auto Cook 40 Recipes
- Child Safety Lock
- Catalytic Clean
- Steam Clean

#### Included accessories:

- Universal Tray (1EA)
- Wire Rack (1EA)
- Wire Inlay (1EA)
- Cookbook (CD)



### NV70M3571RS

#### Key features

- Dual Cook
- 68L Large & Useful Capacity
- Energy Class A
- Auto Cook 25 Recipes
- Pyrolytic Clean
- Steam Clean
- Child Safety Lock

#### Included accessories:

- Telescopic (1Level)
- Universal Tray (1EA)
- Wire Rack (1EA)



### NV70M3541RS

#### Key features

- Dual Cook
- 68L Large & Useful Capacity
- Energy Class A
- Auto Cook 25 Recipes
- Catalytic Clean
- Steam Clean
- Child Safety Lock

#### Included accessories:

- Telescopic (1Level)
- Universal Tray (1EA)
- Wire Rack (1EA)



### NV70M3541RB

#### Key features

- Dual Cook
- 68L Large & Useful Capacity
- Energy Class A
- Auto Cook 25 Recipes
- Catalytic Clean
- Steam Clean
- Child Safety Lock

#### Included accessories:

- Telescopic (1Level)
- Universal Tray (1EA)
- Wire Rack (1EA)



# Models

## Dual Cook

Dual Cook technology gives you complete flexibility with upper and lower cooking zones that can be used independently, with different temperature and time settings, or you can use the whole oven for large dishes.



### NV66M3571BS

#### Key features

- Dual Cook
- 64L Capacity
- Energy Class A
- Auto Cook 25 Recipes
- Pyrolytic Clean
- Steam Clean
- Child Safety Lock

#### Included accessories:

- Universal Tray (1EA)
- Wire Rack (1EA)



### NV66M3571BB

#### Key features

- Dual Cook
- 64L Capacity
- Energy Class A
- Auto Cook 25 Recipes
- Pyrolytic Clean
- Steam Clean
- Child Safety Lock

#### Included accessories:

- Universal Tray (1EA)
- Wire Rack (1EA)



### NV66M3531BS

#### Key features

- Dual Cook
- 64L Capacity
- Energy Class A
- Auto Cook 25 Recipes
- Catalytic Clean
- Steam Clean
- Child Safety Lock

#### Included accessories:

- Universal Tray (1EA)
- Wire Rack (1EA)



### NV66M3531BB

#### Key features

- Dual Cook
- 64L Capacity
- Energy Class A
- Auto Cook 25 Recipes
- Catalytic Clean
- Steam Clean
- Child Safety Lock

#### Included accessories:

- Universal Tray (1EA)
- Wire Rack (1EA)



### NV70H5787CB

#### Key features

- Dual Cook
- All Black Glass Touch Control Panel
- 68L Large & Useful Capacity
- Energy Class A
- Auto Cook 40 Recipes
- Child Safety Lock
- Catalytic Clean
- Steam Clean

#### Included accessories:

- Telescopic (2Level)
- Baking Tray (1EA)
- Extra Deep Tray (1EA)
- Wire Rack (1EA)
- Wire Inlay (1EA)

# Models

## Convection Cook

Cook your food much faster and with more flavor. Convection Cook uses a fan to actively circulate the hot air and keeps the temperature steady around the food.



### NV75J3140RS

#### Key features

- Fast Ready-to-cook
- 75L Large & Useful Capacity
- Energy Class A
- Soft Closing Door
- Child Safety Lock
- Catalytic Clean

#### Included accessories:

- Telescopic (1Level)
- Universal Tray (2EA)
- Wire Rack (1EA)



### NV75J3140BS

#### Key features

- Fast Ready-to-cook
- 75L Large & Useful Capacity
- Energy Class A
- Soft Closing Door
- Child Safety Lock
- Catalytic Clean

#### Included accessories:

- Universal Tray (2EA)
- Wire Rack (1EA)



### NV75J3140BB

#### Key features

- Fast Ready-to-cook
- 75L Large & Useful Capacity
- Energy Class A
- Child Safety Lock
- Catalytic Clean

#### Included accessories:

- Universal Tray (2EA)
- Wire Rack (1EA)

# Models

## Dual Fan

Dual Fans spins opposite directions to spread heat evenly throughout the oven, so all of your dishes are cooked at the same temperature and speed. It also reaches its target temperature faster and is more energy efficient.



### NV70M3372BS

#### Key features

- Even Cook by Twin Fans Airvection
- 68L Large & Useful Capacity
- Energy Class A
- Auto Cook 20 Recipes
- Pyrolytic Clean
- Steam Clean
- Child Safety Lock

#### Included accessories:

- Meat Probe
- Universal Tray (1EA)
- Wire Rack (1EA)



### NV70M3373BS

#### Key features

- Even Cook by Twin Fans Airvection
- 68L Large & Useful Capacity
- Energy Class A
- Auto Cook 20 Recipes
- Pyrolytic Clean
- Steam Clean
- Child Safety Lock

#### Included accessories:

- Meat Probe
- Universal Tray (2EA)
- Wire Rack (1EA)



### NV70K3370RS

#### Key features

- Even Cook by Twin Fans Airvection
- 68L Large & Useful Capacity
- Energy Class A
- Auto Cook 20 Recipes
- Child Safety Lock
- Pyrolytic Clean
- Steam Clean

#### Included accessories:

- Telescopic (1Level)
- Universal Tray (1EA)
- Wire Rack (1EA)

# Models

## Dual Fan

Dual Fans spins opposite directions to spread heat evenly throughout the oven, so all of your dishes are cooked at the same temperature and speed. It also reaches its target temperature faster and is more energy efficient.



### NV70K3370BS

#### Key features

- Even Cook by Twin Fans Airvection
- 68L Large & Useful Capacity
- Energy Class A
- Auto Cook 20 Recipes
- Child Safety Lock
- Pyrolytic Clean
- Steam Clean

#### Included accessories:

- Universal Tray (1EA)
- Wire Rack (1EA)



### NV70K3370BM

#### Key features

- Even Cook by Twin Fans Airvection
- Black Stainless Steel (Matt)
- 68L Large & Useful Capacity
- Energy Class A
- Auto Cook 20 Recipes
- Pyrolytic Clean
- Steam Clean
- Child Safety Lock

#### Included accessories:

- Universal Tray (1EA)
- Wire Rack (1EA)



### NV70K3370BB

#### Key features

- Even Cook by Twin Fans Airvection
- 68L Large & Useful Capacity
- Energy Class A
- Auto Cook 20 Recipes
- Child Safety Lock
- Pyrolytic Clean
- Steam Clean

#### Included accessories:

- Universal Tray (1EA)
- Wire Rack (1EA)



### NV70K2340RS

#### Key features

- Even Cook by Twin Fans Airvection
- 68L Large & Useful Capacity
- Energy Class A
- Auto Cook 20 Recipes
- Child Safety Lock
- Catalytic Clean
- Steam Clean

#### Included accessories:

- Telescopic (1Level)
- Universal Tray (1EA)
- Wire Rack (1EA)



### NV70K2340RM

#### Key features

- Even Cook by Twin Fans Airvection
- Black Stainless Steel (Matt)
- 68L Large & Useful Capacity
- Energy Class A
- Auto Cook 20 Recipes
- Child Safety Lock
- Catalytic Clean
- Steam Clean

#### Included accessories:

- Telescopic (1Level)
- Universal Tray (1EA)
- Wire Rack (1EA)



### NV70K2340RG

#### Key features

- Even Cook by Twin Fans Airvection
- Black Stainless Steel (Glossy)
- 68L Large & Useful Capacity
- Energy Class A
- Auto Cook 20 Recipes
- Child Safety Lock
- Catalytic Clean
- Steam Clean

#### Included accessories:

- Telescopic (1Level)
- Universal Tray (1EA)
- Wire Rack (1EA)

# Models

## Dual Fan

Dual Fans spins opposite directions to spread heat evenly throughout the oven, so all of your dishes are cooked at the same temperature and speed. It also reaches its target temperature faster and is more energy efficient.



### NV70K2340RB

#### Key features

- Even Cook by Twin Fans Airvection
- 68L Large & Useful Capacity
- Energy Class A
- Auto Cook 20 Recipes
- Child Safety Lock
- Catalytic Clean
- Steam Clean

#### Included accessories:

- Telescopic (1Level)
- Universal Tray (1EA)
- Wire Rack (1EA)



### NV70K1340BS

#### Key features

- Even Cook by Twin Fans Airvection
- 68L Large & Useful Capacity
- Energy Class A
- Child Safety Lock
- Catalytic Clean

#### Included accessories:

- Universal Tray (1EA)
- Wire Rack (1EA)



### NV70K1340BB

#### Key features

- Even Cook by Twin Fans Airvection
- 68L Large & Useful Capacity
- Energy Class A
- Child Safety Lock
- Catalytic Clean

#### Included accessories:

- Universal Tray (1EA)
- Wire Rack (1EA)



### NV70K1310BS

#### Key features

- Even Cook by Twin Fans Airvection
- 68L Large & Useful Capacity
- Energy Class A
- Child Safety Lock

#### Included accessories:

- Universal Tray (1EA)
- Wire Rack (1EA)



### NV72M1010BS

#### Key features

- 72L Large & Useful Capacity
- Energy Class A
- Child Safety Lock

#### Included accessories:

- Universal Tray (1EA)
- Wire Rack (1EA)



# Models

## Dual Fan

Dual Fans spins opposite directions to spread heat evenly throughout the oven, so all of your dishes are cooked at the same temperature and speed. It also reaches its target temperature faster and is more energy efficient.



### NV70H5587BB

#### Key features

- Even Cook by Twin Fans Airvection
- All Black Glass Touch Control Panel
- 68L Large & Useful Capacity
- Energy Class A
- Auto Cook 25 Recipes
- Child Safety Lock
- Catalytic Clean
- Steam Clean

#### Included accessories:

- Telescopic (1Level)
- Universal Tray (1EA)
- Wire Rack (1EA)
- Wire Inlay (1EA)



### NV70H5587CB

#### Key features

- Even Cook by Twin Fans Airvection
- All Black Glass Touch Control Panel
- 68L Large & Useful Capacity
- Energy Class A
- Auto Cook 25 Recipes
- Child Safety Lock
- Catalytic Clean
- Steam Clean

#### Included accessories:

- Telescopic (2Level)
- Universal Tray (2EA)
- Wire Rack (1EA)
- Wire Inlay (1EA)

# Oven Accessories (option)

## Telescopic Rail



### MA-RS772

#### Key features

- Compatible with 75L Dual Cook Oven
- Full Extension Type (Level 2, 4)

#### Applicable models

- NV75K5571\*\*
- NV75K5541\*\*



### MA-RS572

#### Key features

- Compatible with 75L Dual Fan Oven
- Full Extension Type (Level 2, 4)

#### Applicable models

- NV75\*9770\*\*
- NV75\*3340\*\*



### MA-RS272

#### Key features

- Compatible with 70L Dual Fan Oven
- Full Extension Type (Level 2,4)

#### Applicable models

- NV70K3370\*\*
- NV70K2340\*\*
- NV70K1340\*\*

# Oven Accessories

Samsung Oven Accessories make life in the kitchen much easier, by providing more practical, professional and convenient ways to cook, so you always achieve the best possible results.

## Baking Tray (20mm)



The 20mm Baking Tray is ideal for cooking cakes, cookies and other pastries. With the slanted side to the front you can easily slide them off.

## Universal Tray (30mm)



The 30mm Baking Tray can be used for cooking cakes and pastries or for roasting. Insert the wire tray and it will collect melted fat or meat juices, so they don't go all over the oven.

## Extra Deep Tray (50mm)



This 50mm Extra Deep Tray is great for roasting large portions of meat, especially if they create a lot of fat and juices. With the wire tray inserted it will also prevent any liquids from dropping onto the bottom of the oven.

## Telescopic Rail



Using the Telescopic Rail you can quickly slide food out of the oven, so it's easy to check or take out without having to bend over so much or risk getting close to the hot oven. Using it is easy – just slide out the Telescopic Rail at the level you want, place the shelf or tray you're using on them and then push it back completely into the oven.

## Meat Probe



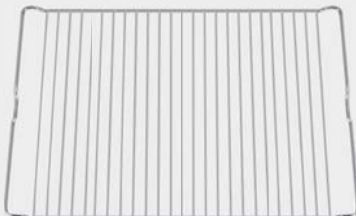
When you're cooking a large piece of meat the inside is usually very slow to cook. With the Meat Probe you can quickly measure the internal temperature to ensure your meat is properly cooked. Just stick the probe into the meat and it shows the temperature.

## Wire Rack



The Wire Rack is ideal for grilling, roasting or baking, especially when you're using tins, casserole dishes or other baking pots, as heat can easily circulate around the base, so food is cooked thoroughly. The bent up side of the frame should be placed at the rear of the oven in order to provide extra support when cooking large amounts.

## Wire Inlay



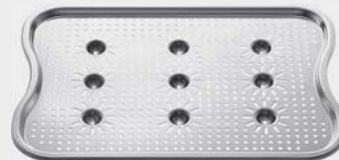
When combined with the Baking Tray the Wire Inlay is great for grilling or roasting meals and can also be used to prevent liquids from dropping onto the bottom of the oven.

## Rotisserie Spit



With the Rotisserie Spit you don't have to continually turn over food, like chicken, that you're grilling or roasting. Instead it ensures that food is always cooked evenly. The Rotisserie Spit can only be used in single mode on Level 3 shelf, because it needs to be attached to an adapter on the back. And please remember to remove the black plastic handle while cooking.

## Steam Tray (12L)



The Steam Tray helps retain steam, so steaming food is much faster and more economical. The glass lid can also be turned upside down and used as a dish for roasting or baking. The Steam Tray is only for use with the Steam Cook function and should be placed on the Level 1 shelf, so that it touches the rear of the oven. It consists of 4 parts: glass lid, metal pan, steam tray and steam nozzle.





# Compact Oven

Samsung Compact Ovens are small in size, but big on result. Despite their compact design they boast a 50L capacity, which is more than capable of handling multiple dishes - and even the holiday turkey! Add in their speed and steam cooking abilities and they really are a great choice for a busy home.

COLLECTION



Microwave

For fast efficient cooking without changing the colour or form of food

11:30 AM

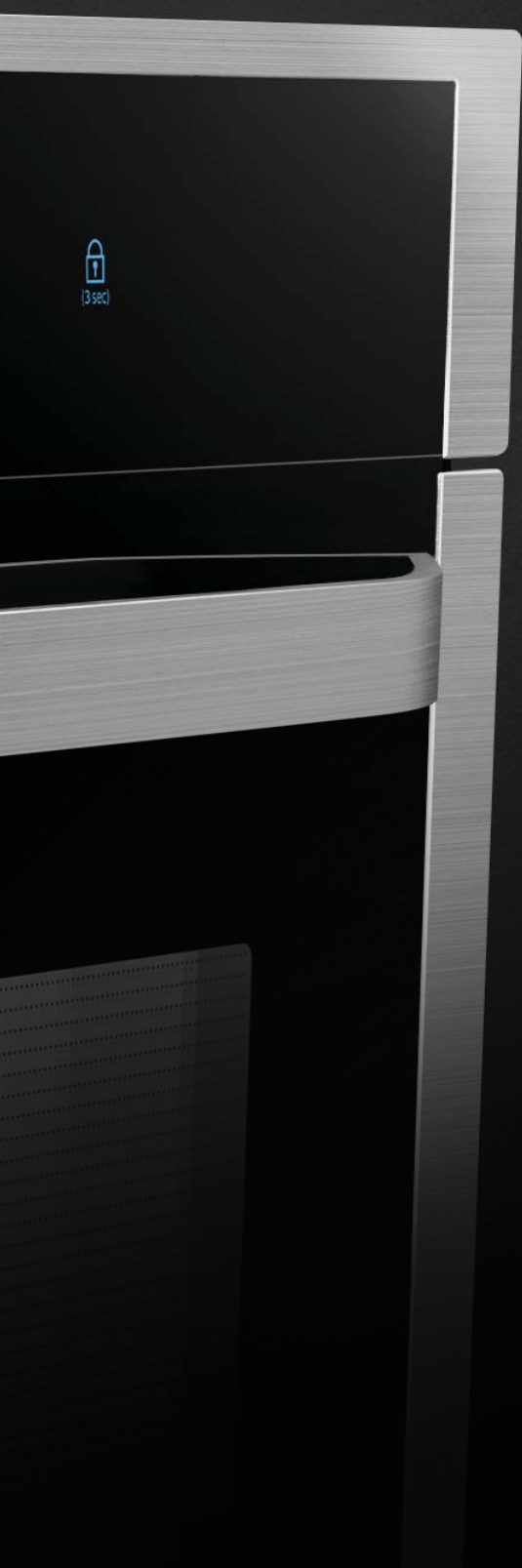


watt



30 sec  
Start





# Full touch TFT-LCD Display

A 4.6" full-touch TFT LCD display offers a much simpler and easier way to cook – exactly how you want to. You can select and control a range of functions and settings, such as cooking mode, temperature and time, with the simple touch of your finger. And it also gives you plenty of useful information to help you cook like a professional.



# Features

## Compact Oven



### Speed Cooking

Speed Cooking cooks food deeply and evenly. It also features multiple heating systems, including a fan-assisted convection that circulates heat evenly.



### Guide Lighting Control

The Guide Lighting Control is a digital dashboard that acts as a culinary assistant. You can control cooking temperatures and times, select functions and set cleaning options by following the lights on its display.



### A Pre-stop Hinge Door

A Pre-stop hinge door ensures that the door can be quietly and safely closed. It automatically stops at a preset level, so it doesn't shut too quickly and create a loud noise or cause spills or accidents.



### Steam Cleaning

Steam Cleaning lets you loosen and remove food particles and stubborn stains in the oven cavity easily. Simply fill the cup inside the oven with water and it quickly bathes the cavity, so residue can be wiped away.



### Massive 50 Liter Capacity

Massive 50 liter capacity enables you to cook much more or much larger food. You can prepare multiple dishes at once, like trays of cookies, or easily accommodate large items, like a big roast or holiday turkey.



### Dual Fans Convection

Dual Fans spins the opposite directions to spread heat evenly throughout the oven, so all of your dishes are cooked at the same temperature and speed. It also reaches its target temperature faster and is more energy efficient.

## Microwave Oven



### Smart Moisture Sensor

With the push of a button the Smart Moisture Sensor determines the interior air humidity, so the cooking mode and time can be automatically adjusted to ensure meals are always cooked perfectly.



### Browning Plus

The Browning Plus button achieves the ideal texture and color for your food, so it looks and tastes delicious. It increases the cooking time by 30 seconds to brown and crisp food exquisitely with the grill heater.



### Keep Warm

Preparing lots of dishes or a whole meal can be a real juggling act as you need to keep everything warm and ready to serve together. With one touch the Samsung microwave oven's Keep Warm function keeps food at the proper temperature without over-cooking, so it stays deliciously warm and tasty just like freshly cooked food-no matter when you serve it.



### Ceramic Enamel

The durable Ceramic Enamel is easy to keep clean and scratch-free. Its smooth surface can be cleaned without scrubbing and won't discolor over time. It's also highly rust and scratch-resistant, so it lasts longer.

# Models

## Compact Oven

A Samsung Compact Oven is the perfect choice when space is limited, but you like to speed cooking a lot! With a huge 50 liter capacity and speed cooking option you simply don't need anything more.



### NQ50C7935ES

#### Key features

- Steam and Steam Combination Cooking
- Pop-up Dial and Touch Buttons
- 50L Large Capacity
- Steam Clean
- Auto Cook 35 Recipes
- Auto Defrost 5 Programmes
- Grill, Hot Air, Top and Bottom Heat
- Child Safety Lock

#### Included accessories:

- Baking Tray (2EA)
- Wire Rack (1EA)
- Wire Tray Insert (1EA)
- Steam Rack (1EA)



### NQ50J9530BS

#### Key features

- MWO Combination Cooking
- Intuitive Touch TFT LCD
- 50L Large Capacity
- Pro-Roasting
- Auto Cook 35 Recipes
- Auto Defrost 5 Programmes
- Steam Clean
- Pre-Stop Hinge

#### Included accessories:

- Ceramic Tray (1EA)
- Baking Tray (2EA)
- Wire Rack (1EA)
- Wire Tray Insert (1EA)



### NQ50J9530BM

#### Key features

- MWO Combination Cooking
- Intuitive Touch TFT LCD
- 50L Large Capacity
- Pro-Roasting
- Auto Cook 35 Recipes
- Auto Defrost 5 Programmes
- Steam Clean
- Pre-Stop Hinge

#### Included accessories:

- Ceramic Tray (1EA)
- Baking Tray (2EA)
- Wire Rack (1EA)
- Wire Tray Insert (1EA)



### NQ50J5530BS

#### Key features

- MWO Combination Cooking
- Intuitive & Easy LED Display
- Guide Lighting Control
- 50L Large Capacity
- Pro-Roasting
- Auto Cook 20 Recipes
- Auto Defrost 5 Programmes
- Steam Clean
- Pre-Stop Hinge

#### Included accessories:

- Ceramic Tray (1EA)
- Baking Tray (2EA)
- Pure Steam Bowl



### NQ50J3530BS

#### Key features

- MWO Combination Cooking
- Pop-up Dial With Touch Buttons
- 50L Large Capacity
- Steam Clean
- Auto Cook 20 Recipes
- Auto Defrost 5 Programmes
- Child Safety Lock

#### Included accessories:

- Ceramic Tray (1EA)
- Baking Tray (1EA)
- Pure Steam Bowl



### NQ50K3530BG

#### Key features

- MWO Combination Cooking
- Pop-up Dial With Touch Buttons
- 50L Large Capacity
- Steam Clean
- Auto Cook 20 Recipes
- Auto Defrost 5 Programmes
- Child Safety Lock

#### Included accessories:

- Ceramic Tray (1EA)
- Baking Tray (1EA)
- Pure Steam Bowl

# Models

## Compact Oven

A Samsung Compact Oven is the perfect choice when space is limited, but you like to speed cooking a lot! With a huge 50 liter capacity and speed cooking option you simply don't need anything more.



### NQ50J3530BB

#### Key features

- MWO Combination Cooking
- Pop-up Dial with Touch Buttons
- 50L Large Capacity
- Steam Clean
- Auto Cook 20 Recipes
- Auto Defrost 5 Programmes
- Child Safety Lock

#### Included accessories:

- Ceramic Tray (1EA)
- Baking Tray (1EA)
- Pure Steam Bowl



### NQ50H5537KB

#### Key features

- MWO Combination Cooking
- Glass Touch Buttons
- Pop-up Dial with Touch Buttons
- 50L Large Capacity
- Steam Clean
- Auto Cook 15 Recipes
- Auto Defrost 5 Programmes
- Child Safety Lock

#### Included accessories:

- Ceramic Tray (1EA)
- Baking Tray (1EA)
- Pure Steam Bowl



### NQ50K5130BS

#### Key features

- MWO Solo
- Pop-up Dial with Touch Buttons
- 50L Large Capacity
- Steam Clean
- Auto Cook 15 Recipes
- Auto Defrost 5 Programmes
- Child Safety Lock

#### Included accessories:

- Ceramic Tray (1EA)



### NQ50K3130BS

#### Key features

- MWO Solo
- Pop-up Dial with Touch Buttons
- 50L Large Capacity
- Steam Clean
- Auto Cook 15 Recipes
- Auto Defrost 5 Programmes
- Child Safety Lock

#### Included accessories:

- Ceramic Tray (1EA)



### NQ50K3130BM

#### Key features

- MWO Solo
- Pop-up Dial with Touch Buttons
- 50L Large Capacity
- Steam Clean
- Auto Cook 15 Recipes
- Auto Defrost 5 Programmes
- Child Safety Lock

#### Included accessories:

- Ceramic Tray (1EA)



### NQ50K3130BB

#### Key features

- MWO Solo
- Pop-up Dial with Touch Buttons
- 50L Large Capacity
- Steam Clean
- Auto Cook 15 Recipes
- Auto Defrost 5 Programmes
- Child Safety Lock

#### Included accessories:

- Ceramic Tray (1EA)

# Models

## Compact Oven

A Samsung Compact Oven is the perfect choice when space is limited, but you like to speed cooking a lot! With a huge 50 liter capacity and speed cooking option you simply don't need anything more.



### NQ50K5137KB

#### Key features

- MWO Solo
- Glass Touch Buttons
- 50L Large Capacity
- Steam Clean
- Auto Cook 15 Recipes
- Auto Defrost 5 Programmes
- Child Safety Lock

#### Included accessories:

- Ceramic Tray (1EA)



### NQ50H5533KS

#### Key features

- MWO Combination Cooking
- Pop-up Dial with Touch Buttons
- 50L Large Capacity
- Steam Clean
- Auto Cook 20 Recipes
- Auto Defrost 5 Programmes
- Child Safety Lock

#### Included accessories:

- Ceramic Tray (1EA)
- Baking Tray (1EA)
- Wire Tray Insert (1EA)
- Pure Steam Bowl

# Models

## Warmer

Samsung's Warmer which is matched with Compact Oven keeps food at the perfect temperature until dinner is ready.



### NL20J7100WB

(matching: NQ50J9530BS, NQ50J5530BS, NQ50J3530BS, NQ50K5130BS, NQ50K3130BS)

#### Key features

- Complementary design to compact oven
- Defrosting (Temp. Ranges 30°C~80°C)
- Plate Warming
- Food Kept Warm
- Loading Weight : 20kg
- Fits a 60cm niche
- Stores accessories when not in use



### NL20F7100WB

(matching: NQ50C7935ES, NQ50H7535DS, NQ50H5533KS, NQ50H7235AS)

#### Key features

- Complementary design to compact oven
- Defrosting (Temp. Ranges 30°C~80°C)
- Plate Warming
- Food Kept Warm
- Loading Weight : 20kg
- Fits a 60cm niche
- Stores accessories when not in use



# Models

## Microwave Oven

Provides a seamless look that is perfectly harmonized with modern built-in kitchens.



### MG22M8074CT

#### Key features

- Smart Moisture Sensor
- Browning Plus
- Keep Warm
- Ceramic Enamel
- Type : MWO + Grill
- 22L Capacity
- Touch (Control Type)
- Side Opening Door
- Ice Blue LED (Display)

#### Included accessories:

- Round Grill Rack
- Crusty Plate



### MG22M8074AT

#### Key features

- Smart Moisture Sensor
- Browning Plus
- Keep Warm
- Ceramic Enamel
- Type : MWO + Grill
- 22L Capacity
- Touch (Control Type)
- Side Opening Door
- Ice Blue LED (Display)

#### Included accessories:

- Round Grill Rack



### MG22M8054AK

#### Key features

- Browning Plus
- Keep Warm
- Ceramic Enamel
- Type : MWO + Grill
- 22L Capacity
- Touch (Control Type)
- Side Opening Door
- Ice Blue LED (Display)

#### Included accessories:

- Round Grill Rack



### MS22M8074AT

#### Key features

- Smart Moisture Sensor
- Keep Warm
- Deodorization
- Ceramic Enamel
- Type : Solo MWO
- 22L Capacity
- Touch (Control Type)
- Side Opening Door
- Ice Blue LED (Display)



### MS22M8074AM

#### Key features

- Smart Moisture Sensor
- Keep Warm
- Ceramic Enamel
- Type : MWO
- 22L Capacity
- Touch (Control Type)
- Side Opening Door
- Ice Blue LED (Display)
- Deodorization



### MS22M8054AK

#### Key features

- Keep Warm
- Deodorization
- Memory Cook
- Ceramic Enamel
- Type : Solo MWO
- 22L Capacity
- Touch (Control Type)
- Side Opening Door
- Ice Blue LED (Display)

# Models

## Microwave Oven

Provides a seamless look that is perfectly harmonized with modern built-in kitchens.



### FG87SUST

#### Key features

- Crusty Cook
- Steam Clean
- Ceramic Enamel
- Type : MWO + Grill
- 23L Capacity
- Tact (Control Type)
- Side Opening Door
- Ice Blue LED (Display)

#### Included accessories:

- Crusty Plate
- Steam Clean



### FG88SUST

#### Key features

- Grill
- Ceramic Enamel
- Type : MWO
- 23L Capacity
- Tact (Control Type)
- Side Opening Door
- LED (Display)

#### Included accessories:

- Rack
- Crusty Plate
- Steam Cleaning Accessory



### FG87SUB

#### Key features

- Crusty Cook
- Steam Clean
- Ceramic Enamel
- Type : MWO + Grill
- 23L Capacity
- Tact (Control Type)
- Side Opening Door
- Ice Blue LED (Display)

#### Included accessories:

- Crusty Plate
- Steam Clean



### FG87SUG

#### Key features

- Grill
- Ceramic Enamel
- Type : MWO
- 23L Capacity
- Tact (Control Type)
- Side Opening Door
- Ice Blue LED (Display)

#### Included accessories:

- Rack
- Crusty Plate
- Steam Cleaning Accessory



### FG88SUG

#### Key features

- Grill
- Ceramic Enamel
- Type : MWO
- 23L Capacity
- Tact (Control Type)
- Side Opening Door
- Ice Blue LED (Display)

#### Included accessories:

- Rack
- Crusty Plate
- Steam Cleaning Accessory



### FG77SUST

#### Key features

- Crusty Cook
- Steam Clean
- Ceramic Enamel
- Type : MWO + Grill
- 20L Capacity
- Tact (Control Type)
- Side Opening Door
- Ice Blue LED (Display)

#### Included accessories:

- Crusty Plate
- Steam Clean

# Models

## Microwave Oven

Provides a seamless look that is perfectly harmonized with modern built-in kitchens.



### FG77SUB

#### Key features

- Crusty Cook
- Steam Clean
- Ceramic Enamel
- Type : MWO + Grill
- 20L Capacity
- Tact (Control Type)
- Side Opening Door
- Ice Blue LED (Display)

#### Included accessories:

- Crusty Plate
- Steam Clean



### FW87SUST

#### Key features

- Steam Cook
- Deodorization
- Ceramic Enamel
- Type : Solo MWO
- 23L Capacity
- Tact (Control Type)
- Side Opening Door
- Ice Blue LED (Display)

#### Included accessories:

- Power Steam Bowl



### FW87SUB

#### Key features

- Steam Cook
- Deodorization
- Ceramic Enamel
- Type : Solo MWO
- 23L Capacity
- Tact (Control Type)
- Side Opening Door
- Ice Blue LED (Display)

#### Included accessories:

- Power Steam Bowl



### FW77SUST

#### Key features

- Ceramic Enamel
- Type : MWO
- 20L Capacity
- Tact (Control Type)
- Side Opening Door
- LED (Display)
- Steam Cook

#### Included accessories:

- Power Steam Bowl



### FW77SUB

#### Key features

- Ceramic Enamel
- Type : MWO
- 20L Capacity
- Tact (Control Type)
- Side Opening Door
- LED (Display)
- Steam Cook

#### Included accessories:

- Power Steam Bowl

# Compact Oven Accessories

Samsung Compact Oven Accessories are carefully designed to enhance your cooking life by providing simpler and more convenient ways to cook perfectly delicious food.

## Baking Tray (20mm)



The 20mm Baking Tray is ideal for cooking cakes, cookies and other pastries. With the slanted side to the front you can easily slide them off.

## Ceramic Tray



Specially designed for cooking with microwaves, the Ceramic Tray is extremely robust and scratch-proof. It's also easy to clean and also extremely hygienic as it is made of an anti-bacterial material.

## Steam Tray



The Steam Tray helps you steam all sorts of food, including large items, so that they come out thoroughly and deliciously cooked.

## Wire Rack



The Wire Rack is ideal for grilling, roasting or baking, especially when you're using tins, casserole dishes or other baking pots, as heat can easily circulate around the base, so food is cooked thoroughly. The bent up side of the frame should be placed at the rear of the oven in order to provide extra support when cooking large amounts.

## Wire Tray Insert



When combined with the Ceramic Tray the Wire Tray Insert is great for quickly cooking meals when using the Microwave mode.

# Microwave Oven Accessories

Samsung Compact Microwave Oven Accessories are carefully designed to enhance your cooking life by providing simpler and more convenient ways to cook perfectly delicious food.

## Crusty Plate



Worried about how to use the pizza leftover from yesterday? The Samsung Crusty Plate heats frozen foods, such as pizza, so it tastes just like when it was originally cooked. This amazing feature ensures a tasty and crispy texture for perfect results every time.

## Steam Clean



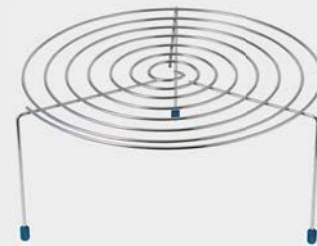
The unique surface inside the microwave is made of ceramic enamel; a non-stick and highly scratch-resistant surface that also has an anti-bacterial coating. In conjunction with the Steam Clean system, bacteria and food particles can be wiped away easily, keeping your oven hygienically clean.

## Power Steam Bowl



Compared to traditional ones, the upgraded Power Steam Bowl has a round shape with a large space. The special feature of this remodeled Steam Bowl is that the top and bottom levels are separate, so you can enjoy a greater variety of foods without them becoming dry.

## Round Grill Rack



Round Grill Rack can be used to cook two dishes at the same time. A small dish can be placed on the turntable and a second dish on the rack. The metal racks can be used in grill, convection and combination cooking.



# Cooktop

Samsung Induction Cooktop's modern design is complemented by a brilliant Ice blue LED display that adds an extra touch of style. It provides extremely clear and simple to understand information about the selected functions, so it's much easier to control how you cook.







# Virtual Flame Technology™

With the Virtual Flame Technology™ you can enjoy the instinctive feel and visual control of flames and clearly see if the burner is on or off. LED lighting is located in front of one burner, which glows like a real gas flame to show how high it is turned up – the brighter the flame the greater the power level of the burner. So, just like a Gas Range, you can enjoy a more intuitive way to cook with the added peace of mind of instantly knowing if burners are turned up too much or have been accidentally left on.



## Intuitive Interface

Virtual Flame Technology™ provides natural and intuitive visual control of the cooktop as LED lighting located in front of the burner glows like a real gas flame.



## Interactive Cooking

Unlike conventional induction cooktops, you can quickly react to the power level with Virtual Flame Technology™, allowing you to enjoy a more interactive cooking experience.



## Safety Measures

LED lighting that glows in accordance to the power level not only prevents accidental burns, but also allows you to instantly check if the burner have been left on.

# Features

## Induction Cooktop



### Magnetic Knob

A movable Magnetic Knob lets you control the power of each ring more simply and precisely. It can be completely detached, so the entire surface can be cleaned more easily.



### Auto Connectivity

The hood also wirelessly connects to the cooktop, so they turn on and off together. You can also remotely control of hood through mobile. (Power on/off, fan speed control, lamp on/off).



### Flex Zone Plus

Flex Zone Plus is a large, open space on the cooktop that is specially designed for cooking multiple dishes. It is divided into 4 zones for greater flexibility and is wide and spacious enough to accommodate different sizes and shapes of cookware at once or cook large meals.



### Ice-blue Display

The modern and brilliant Ice-blue LED Display provides extremely clear information about the selected functions, so it's easier to control how you cook. It also adds an extra touch of style.



### Wi-Fi Control

You can remotely check the cooktop to see if any burners have been left on or to set the timer.



### Keep Warm

The Keep Warm button is handy for when you're preparing several dishes, as it lets you keep your food at the perfect temperature without overcooking. Your food will taste freshly prepared.



### Quick Start

The Quick Start button reduces the number of steps and time it takes to start cooking by providing high heat instantly with simply one touch. The heat can be gradually reduced, if desired.



### Pause

The Pause button provides greater convenience by allowing you to switch all cooking zones to a low power setting with just one touch. Just touch it again to instantly return the heat to original power levels.



### Sliding Control

The extra wide and intuitive Sliding Control LED display panel enables fast and precise control of your cooking temperatures. Simply touch and glide your finger across it to instantly set or adjust the heat levels.

## Ceramic Cooktop



### Easy To Clean

With the Samsung Ceramic Cooktop there's no need to worry about messy spills and splatters. Even after the greasiest cooking, the smooth, ergonomic surface will quickly wipe clean.



### Sliding Control

Enjoy effortless control of your cooking using the Sliding Control panel. Simply touch and glide your finger across the panel to instantly and precisely set or adjust the cooking temperature.



### Automatic Safety

Enjoy complete peace of mind with an automatic safety shut-off function that ensures that the cooktop is always off when you want it to be. It also features a child safety lock to prevent children from turning the cooktop on.

## Gas Cooktop



### Triple Crown

Cook every dish perfectly with a Triple Crown gas burner, which produces searing, instantaneous heat, so it's ideal for woks, large pans and rapid cooking like making stir fry.



### Endless Rail Grate

Even the heaviest pots and pans will slide along seamless rails, eliminating the need to lift them. Simple indicator marks also show if they're properly centered over the optimum heat. And the whole grate can be easily cleaned in a dishwasher.



### Flame Failure Safety Device

There's no need to worry about gas leaks, as the automatic shut-down sensor provides instant protection if any stray gas is detected.

# Models

## Induction Cooktop

For a simple, clean and efficient way to get things done fast, look no further than a Samsung Induction Cooktop. It heats food extremely quickly and provides effortless fingertip control.



### NZ84J9770EK

#### Key features

- Virtual Flame Technology™ & Lighting Bar
- Precise Control with Magnetic Knob
- 1~15 Power Level with Booster
- Wide Flex Zone
- Keep Warm
- Quick Start / Quick Stop / Pause
- 2 Stage Residual Heat Indicator
- Display Color : Ice Blue
- 3-side Bevelled Frame
- Left 38 x 20cm 3.3 (3.6kW)
- Center Rear 21cm 2.2 (3.2kW)
- Right Front 14.5cm 1.2 (2.0kW)
- Total Max. Power 7.0kW



### NZ84F7NC6AB

#### Key features

- Sliding Control
- 1~15 Power Level with Booster
- Flex Zone
- Keep Warm
- Quick Stop / Pause
- 2 Stage Residual Heat Indicator
- Display Color : New Amber
- 3-side Bevelled Frame
- Left 38 x 20cm 3.3 (3.6kW)
- Center 28cm 2.4 (3.6kW)
- Right Rear 14.5cm 1.2 (2.0kW)
- Total Max. Power 7.2kW



### NZ63N9777GK

#### Key features

- Virtual Flame Technology™
- Flex Zone Plus
- Auto Connectivity (with Hood) & Wi-Fi
- Sliding & DirectAccess Control
- 1~15 Power Level with Booster
- Keep Warm
- Quick Start / Quick Stop / Pause
- 2 Stage Residual Heat Indicator
- Display Color : Ice Blue
- Front Bevelled Frame
- Flex Zone 38 x 24cm 3.3 (3.6kW)
- Right Center 21cm 2.2 (3.2kW)
- Total Max. Power 6.8kW



### NZ64N9777GK

#### Key features

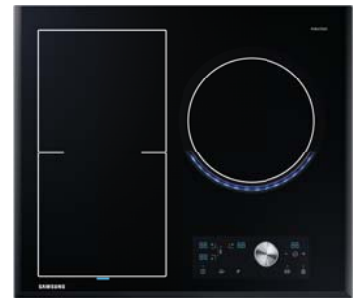
- Virtual Flame Technology™
- Flex Zone Plus
- Auto Connectivity (with Hood) & Wi-Fi
- Sliding & DirectAccess Control
- 1~15 Power Level with Booster
- Keep Warm
- Quick Start / Quick Stop / Pause
- 2 Stage Residual Heat Indicator
- Display Color : Ice Blue
- Front Bevelled Frame
- Flex Zone 38 x 24cm 3.3 (3.6kW)
- Right Front 21cm 2.2 (3.2kW)
- Right Rear 14.5cm 1.2 (2.0kW)
- Total Max. Power 7.2kW



### NZ64N9777BK

#### Key features

- Virtual Flame Technology™
- Flex Zone Plus
- Sliding & DirectAccess Control
- 1~15 Power Level with Booster
- Keep Warm
- Quick Start / Quick Stop / Pause
- 2 Stage Residual Heat Indicator
- Display Color : Ice Blue
- Front Bevelled Frame
- Flex Zone 38 x 24cm 3.3 (3.6kW)
- Right Front 21cm 2.2 (3.2kW)
- Right Rear 14.5cm 1.2 (2.0kW)
- Total Max. Power 7.2kW



### NZ63J9770EK

#### Key features

- Virtual Flame Technology™
- & Lighting Bar
- Precise Control with Magnetic Knob
- 1~15 Power Level with Booster
- Wide Flex Zone
- Keep Warm
- Quick Start / Quick Stop / Pause
- 2 Stage Residual Heat Indicator
- Display Color : Ice Blue
- 3-side Bevelled Frame
- Left 43 x 22cm 3.3 (3.6kW)
- Right 22cm 2.2 (3.2kW)
- Total Max. Power 6.8kW



# Models

## Induction Cooktop

For a simple, clean and efficient way to get things done fast, look no further than a Samsung Induction Cooktop. It heats food extremely quickly and provides effortless fingertip control.



### NZ64N7777GK

#### Key features

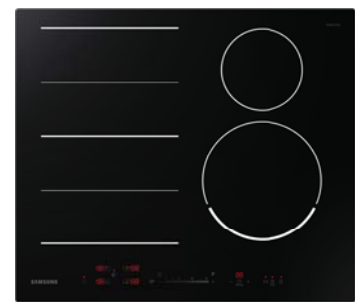
- Virtual Flame Technology™
- Flex Zone Plus
- Auto Connectivity (with Hood) & Wi-Fi
- Sliding & DirectAccess Control
- 1~15 Power Level with Booster
- Keep Warm
- Quick Start / Quick Stop / Pause
- 2 Stage Residual Heat Indicator
- Display Color : Amber
- Front Bevelled Frame
- Flex Zone 38 x 24cm 3.3 (3.6kW)
- Right Front 21cm 2.2 (3.2kW)
- Right Rear 14.5cm 1.2 (2.0kW)
- Total Max. Power 7.2kW



### NZ64N7757GK

#### Key features

- Flex Zone Plus
- Auto Connectivity (with Hood) & Wi-Fi
- Sliding & DirectAccess Control
- 1~15 Power Level with Booster
- Keep Warm
- Quick Start / Quick Stop / Pause
- 2 Stage Residual Heat Indicator
- Display Color : Ice Blue
- Front Bevelled Frame
- Flex Zone 38 x 24cm 3.3 (3.6kW)
- Right Front 21cm 2.2 (3.2kW)
- Right Rear 14.5cm 1.2 (2.0kW)
- Total Max. Power 7.2kW



### NZ64N7757FK

#### Key features

- Flex Zone Plus
- Auto Connectivity (with Hood) & Wi-Fi
- Sliding & DirectAccess Control
- 1~15 Power Level with Booster
- Keep Warm
- Quick Start / Quick Stop / Pause
- 2 Stage Residual Heat Indicator
- Display Color : Ice Blue
- Cut Edge Frame
- Flex Zone 38 x 24cm 3.3 (3.6kW)
- Right Front 21cm 2.2 (3.2kW)
- Right Rear 14.5cm 1.2 (2.0kW)
- Total Max. Power 7.2kW



### NZ64K7757BK

#### Key features

- Sliding Control
- 1~15 Power Level with Booster
- Flex Zone Plus
- Keep Warm
- Quick Start / Quick Stop / Pause
- 2 Stage Residual Heat Indicator
- Display Color : New Amber
- Front Bevelled Frame
- Left 38 x 24cm 3.3 (3.6kW)
- Right Front 21cm 2.2 (3.2kW)
- Right Rear 14.5cm 1.4 (2.0kW)
- Total Max. Power 7.2kW



### NZ64K5747BK

#### Key features

- Sliding Control
- 1~15 Power Level with Booster
- Flex Zone
- Keep Warm
- Quick Start / Quick Stop / Pause
- 2 Stage Residual Heat Indicator
- Display Color : New Amber
- Front Bevelled Frame
- Left 38 x 20cm 3.3 (3.6kW)
- Right Front 21cm 2.2 (3.2kW)
- Right Rear 14.5cm 1.4 (2.0kW)
- Total Max. Power 7.2kW



### NZ64H37075K

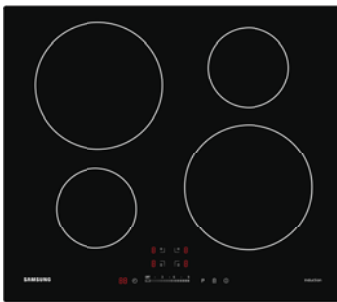
#### Key features

- Sliding Control
- 1~9 Power Level with Booster
- Quick Stop
- Residual Heat Indicator
- Display Color : New Amber
- All Around Stainless Frame
- Left Front 14cm 1.25 (1.5kW)
- Left Rear 22cm 2.35 (2.6kW)
- Right Front 22cm 2.35 (2.6kW)
- Right Rear 14cm 1.25 (1.5kW)
- Total Max. Power 7.2kW

# Models

## Induction Cooktop

For a simple, clean and efficient way to get things done fast, look no further than a Samsung Induction Cooktop. It heats food extremely quickly and provides effortless fingertip control.



### NZ64H37070K

#### Key features

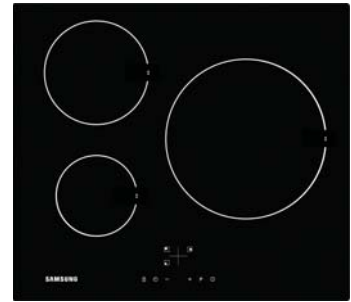
- Sliding Control
- 1~9 Power Level with Booster
- Quick Stop
- Residual Heat Indicator
- Display Color : New Amber
- Cut Edge Frame
- Left Front 14cm 1.25 (1.5kW)
- Left Rear 22cm 2.35 (2.6kW)
- Right Front 22cm 2.35 (2.6kW)
- Right Rear 14cm 1.25 (1.5kW)
- Total Max. Power 7.2kW



### NZ63H37070K

#### Key features

- Sliding Control
- 1~9 Power Level with Booster
- Quick Stop
- Residual Heat Indicator
- Display Color : New Amber
- Cut Edge Frame
- Left Front 14cm 1.2 (1.5kW)
- Left Rear 18cm 2.3 (2.6kW)
- Right 28cm 3.0 (4.0kW)
- Total Max. Power 7.2kW



### NZ63F3NM1AB

#### Key features

- +/- Touch Control
- 1~9 Power Level with Booster
- Quick Stop
- Residual Heat Indicator
- Display Color : New Amber
- Cut Edge Frame
- Left Front 14cm 1.2 (1.5kW)
- Left Rear 18cm 2.3 (2.6kW)
- Right 28cm 3.0 (4.0kW)
- Total Max. Power 7.2kW



### NZ64F3NMIAB

#### Key features

- +/- Touch Control
- 1~9 Power Level with Booster
- Quick Stop
- Residual Heat Indicator
- Display Color : New Amber
- Cut Edge Frame
- Left Front 14cm 1.25 (1.5kW)
- Left Rear 22cm 2.35 (2.6kW)
- Right Front 22cm 2.35 (2.6kW)
- Right Rear 14cm 1.25 (1.5kW)
- Total Max. Power 7.2kW



### NZ63M3707AK

#### Key features

- Sliding Control
- 1~9 Power Level with Booster
- Quick Stop
- Residual Heat Indicator
- Cut Edge Frame
- Left Front 14cm 1.2 (1.5kW)
- Left Rear 18cm 2.3 (2.6kW)
- Right Center 28cm 3.0 (4.0kW)
- Total Max. Power 7.2kW



### NZ64M3707AK

#### Key features

- Sliding Control
- 1~9 Power Level with Booster
- Quick Stop
- Residual Heat Indicator
- Cut Edge Frame
- Left Front 14cm 1.25 (1.5kW)
- Left Rear 22cm 2.35 (2.6kW)
- Right Front 22cm 2.35 (2.6kW)
- Right Rear 14cm 1.25 (1.5kW)
- Total Max. Power 7.2kW

# Models

## Induction Cooktop

For a simple, clean and efficient way to get things done fast, look no further than a Samsung Induction Cooktop. It heats food extremely quickly and provides effortless fingertip control.



### NZ64N3707AS

#### Key features

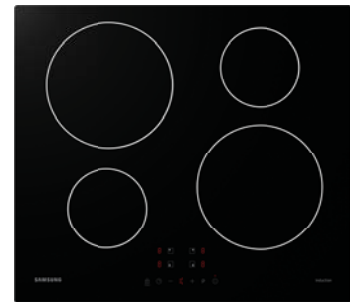
- Sliding Control
- 1~9 Power Level with Booster
- Quick Stop
- Residual Heat Indicator
- Stainless Steel Frame
- Left Front 14cm 1.25 (1.5kW)
- Left Rear 22cm 2.35 (2.6kW)
- Right front 22cm 2.35 (2.6kW)
- Right Rear 14cm 1.25 (1.5kW)
- Total Max. Power 7.2kW



### NZ63M3NM1BB

#### Key features

- +/- Touch Control
- 1~9 Power Level with Booster
- Quick Stop
- Residual Heat Indicator
- Cut Edge Frame
- Left Front 14cm 1.2 (1.5kW)
- Left Rear 18cm 2.3 (2.6kW)
- Right Center 28cm 3.0 (4.0kW)
- Total Max. Power 7.2kW



### NZ64M3NM1BB

#### Key features

- +/- Touch Control
- 1~9 Power Level with Booster
- Quick Stop
- Residual Heat Indicator
- Cut Edge Frame
- Left Front 14cm 1.25 (1.5kW)
- Left Rear 22cm 2.35 (2.6kW)
- Right Front 22cm 2.35 (2.6kW)
- Right Rear 14cm 1.25 (1.5kW)
- Total Max. Power 7.2kW



## NZ64N3NM1BS

### Key features

- +/- Touch Control
- 1~9 Power Level with Booster
- Quick Stop
- Residual Heat Indicator
- Cut Edge Frame
- Left Front 14cm 1.25 (1.5kW)
- Left Rear 22cm 2.35 (2.6kW)
- Right Front 22cm 2.35 (2.6kW)
- Right Rear 14cm 1.25 (1.5kW)
- Total Max. Power 7.2kW

# Models

## Ceramic Cooktop

Add a great look to your kitchen with a Samsung Ceramic Cooktop. Their fast and powerful radiant heating, fingertip control and expansive and easy to clean surface also makes them effortless to use.



### CTR164NC01

#### Key features

- Oval & Double Burner
- Sliding Control
- 1~9 Power Level
- Built-in Timer
- Display Color : New Amber
- 4-side Bevelled Frame
- Left Front 12 / 21cm 0.75 / 2.2kW
- Left Rear 14.5cm 1.2kW
- Right Front 14.5cm 1.2kW
- Right Rear 17 / 26.5cm 1.6 / 2.4kW
- Total Max. Power 7.0kW



### CTR364NC01

#### Key features

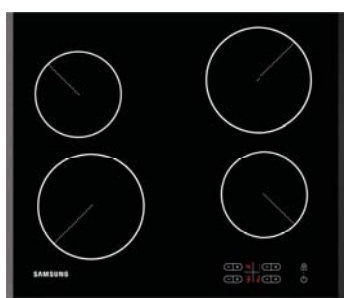
- Touch Control
- 1~9 Power Level
- Built-in Timer
- Display Color : New Amber
- 3-side Bevelled Frame
- Left Front 12/21cm 0.75/2.2kW
- Left Rear 14.5cm 1.2kW
- Right Front 14.5cm 1.2kW
- Right Rear 12/18.3cm 0.8/2.0kW
- Total Max. Power 7.0kW



### CTR464NC01

#### Key features

- Touch Control
- 1~9 Power Level
- Built-in Timer
- Display Color : New Amber
- 3-side Bevelled Frame
- Left Front 12/21cm 0.75/2.2kW
- Left Rear 14.5cm 1.2kW
- Right Front 14.5cm 1.2kW
- Right Rear 17/26.5cm 1.6/2.4kW
- Total Max. Power 7.0kW



### CTR464NB01

#### Key features

- Touch Control
- 1~9 Power Level
- Built-in Timer
- Display Color : New Amber
- 3-side Bevelled Frame
- Left Front 18cm 1.8kW
- Left Rear 14.5cm 1.2kW
- Right Front 14.5cm 1.2kW
- Right Rear 18cm 1.8kW
- Total Max. Power 6.0kW



### CTR432NB02

#### Key features

- Touch Control
- 1~9 Power Level
- Built-in Timer
- Display Color : New Amber
- Front Bevelled Frame
- Right 18cm 1.8kW
- Front 14.5cm 1.2kW
- Total Max. Power 3.0kW



# Models

## Gas Cooktop

Push back the limits of style and performance with a Samsung Gas Cooktop. Their powerful performance, effortless controllability and advanced safety features make cooking a real pleasure.



### NA75J3030AS

#### Key features

- High Power Triple Crown (3.8kW)
- Easy to Clean Stainless Steel Surface
- 3 Cast Iron Grate & Wok Support
- Burner Types
  - 1 Triple Crown
  - 1 Rapid
  - 2 Semi-rapid
  - 1 Auxiliary
- Mechanic Dial Type Knob
- Electronic Ignition (One Touch Ignition)
- Safety Device (Flame Failure Device)
- LNG / LPG Convergence Kit Incl.

#### Included accessories:

- Wok Support



### NA75M3130AS

#### Key features

- High Power Triple Crown (3.8kW)
- Easy to Clean Stainless Steel Surface
- 3 Enamel Grate
- Burner Types
  - 1 Triple Crown
  - 1 Rapid
  - 2 Semi-rapid
  - 1 Auxiliary
- Mechanic Dial Type Knob
- Electronic Ignition (One Touch Ignition)
- Safety Device (Flame Failure Device)
- LNG / LPG Convergence Kit Incl.



### NA64H3040AS

#### Key features

- High Power Triple Crown (4.0kW)
- Easy to Clean Stainless Steel Surface
- 4 Cast Iron Grate & Wok Support
- Burner Types
  - 1 Triple Crown
  - 1 Rapid
  - 1 Semi-rapid
  - 1 Auxiliary
- Mechanic Dial Type Knob
- Electronic Ignition (One Touch Ignition)
- Safety Device (Flame Failure Device)
- LNG / LPG Convergence Kit Incl.

#### Included accessories:

- Wok Support



### NA64H3030AS

#### Key features

- High Power Triple Crown (3.8kW)
- Easy to Clean Stainless Steel Surface
- 4 Cast Iron Grate & Wok Support
- Burner Types
  - 1 Triple Crown
  - 1 Rapid
  - 1 Semi-rapid
  - 1 Auxiliary
- Mechanic Dial Type Knob
- Electronic Ignition (One Touch Ignition)
- Safety Device (Flame Failure Device)
- LNG / LPG Convergence Kit Incl.

#### Included accessories:

- Wok Support



### NA64H3010AS

#### Key features

- Rapid Burner (3.3kW)
- Easy to Clean Stainless Steel Surface
- 4 Cast Iron Grate
- Burner Types
  - 2 Rapid
  - 1 Semi-rapid
  - 1 Auxiliary
- Mechanic Dial Type Knob
- Electronic Ignition (One Touch Ignition)
- Safety Device (Flame Failure Device)
- LNG / LPG Convergence Kit Incl.



### NA64H3110AS

#### Key features

- Rapid Burner (3.3kW)
- Easy to Clean Stainless Steel Surface
- 4 Enamel Grate
- Burner Types
  - 2 Rapid
  - 1 Semi-rapid
  - 1 Auxiliary
- Mechanic Dial Type Knob
- Electronic Ignition (One Touch Ignition)
- Safety Device (Flame Failure Device)
- LNG / LPG Convergence Kit Incl.

# Models

## Gas Cooktop

Push back the limits of style and performance with a Samsung Gas Cooktop. Their powerful performance, effortless controllability and advanced safety features make cooking a real pleasure.



### NA64H304IBS

#### Key features

- High Power Triple Crown (4.0kW)
- Diamond Layout for More Space Usability
- 3 Cast Iron Grate & Wok Support
- Burner Types
  - 1 Triple Crown
  - 1 Rapid
  - 1 Semi-rapid
  - 1 Auxiliary
- Mechanic Dial Type Knob
- Electronic Ignition (One Touch Ignition)
- Safety Device (Flame Failure Device)
- LNG / LPG Convergence Kit Incl.

#### Included accessories:

- Wok Support



### NA64H303IBS

#### Key features

- High Power Triple Crown (3.8kW)
- Diamond Layout for More Space Usability
- 3 Cast Iron Grate & Wok Support
- Burner Types
  - 1 Triple Crown
  - 1 Rapid
  - 1 Semi-rapid
  - 1 Auxiliary
- Mechanic Dial Type Knob
- Electronic Ignition (One Touch Ignition)
- Safety Device (Flame Failure Device)
- LNG / LPG Convergence Kit Incl.

#### Included accessories:

- Wok Support



### NA64H3010BS

#### Key features

- Rapid Burner (3.3kW)
- Diamond Layout for More Space Usability
- 3 Cast Iron Grate
- Burner Types
  - 2 Rapid
  - 1 Semi-rapid
  - 1 Auxiliary
- Mechanic Dial Type Knob
- Electronic Ignition (One Touch Ignition)
- Safety Device (Flame Failure Device)
- LNG / LPG Convergence Kit Incl.



### NA64H3110BS

#### Key features

- Rapid Burner (3.3kW)
- Diamond Layout for More Space Usability
- 3 Enamel Grate
- Burner Types
  - 2 Rapid
  - 1 Semi-rapid
  - 1 Auxiliary
- Mechanic Dial Type Knob
- Electronic Ignition (One Touch Ignition)
- Safety Device (Flame Failure Device)
- LNG / LPG Convergence Kit Incl.



### NA64H3031AK

#### Key features

- High Power Triple Crown (3.8kW)
- Easy to Clean Tempered Glass Surface
- 4 Cast Iron Grate & Wok Support
- Burner Types
  - 1 Triple Crown
  - 2 Semi-rapid
  - 1 Auxiliary
- Mechanic Dial Type Knob
- Electronic Ignition (One Touch Ignition)
- Safety Device (Flame Failure Device)
- LNG / LPG Convergence Kit Incl.

#### Included accessories:

- Wok Support



### NA64H3010AK

#### Key features

- Rapid Burner (3.3kW)
- Easy to Clean Tempered Glass Surface
- 4 Cast Iron Grate & Wok Support
- Burner Types
  - 1 Rapid
  - 2 Semi-rapid
  - 1 Auxiliary
- Mechanic Dial Type Knob
- Electronic Ignition (One Touch Ignition)
- Safety Device (Flame Failure Device)
- LNG / LPG Convergence Kit Incl.

#### Included accessories:

- Wok Support

# Models

## Gas Cooktop

Push back the limits of style and performance with a Samsung Gas Cooktop. Their powerful performance, effortless controllability and advanced safety features make cooking a real pleasure.



### NA64H3000AK

#### Key features

- Rapid Burner (3.0kW)
- Easy to Clean Tempered Glass Surface
- 4 Cast Iron Grate
- Burner Types
  - 1 Rapid
  - 2 Semi-rapid
  - 1 Auxiliary
- Mechanic Dial Type Knob
- Electronic Ignition (One Touch Ignition)
- Safety Device (Flame Failure Device)
- LNG / LPG Convergence Kit Incl.



### NA64H3010CK

#### Key features

- Rapid Burner (3.3kW)
- Classic Retro Style Fitting into Traditional Kitchen
- 4 Cast Iron Grate & Wok Support
- Burner Types
  - 1 Rapid
  - 2 Semi-rapid
  - 1 Auxiliary
- Mechanic Dial Type Knob
- Electronic Ignition (One Touch Ignition)
- Safety Device (Flame Failure Device)
- LNG / LPG Convergence Kit Incl.

#### Included accessories:

- Wok Support



### NA64H3030BK

#### Key features

- High Power Triple Crown (3.8kW)
- Diamond Layout for More Space Usability
- 3 Cast Iron Grate & Wok Support
- Burner Types
  - 1 Triple Crown
  - 2 Semi-rapid
  - 1 Auxiliary
- Mechanic Dial Type Knob
- Electronic Ignition (One Touch Ignition)
- Safety Device (Flame Failure Device)
- LNG / LPG Convergence Kit Incl.

#### Included accessories:

- Wok Support



## NA64H3010BK

### Key features

- Rapid Burner (3.3kW)
- Diamond Layout for More Space Usability
- 3 Cast Iron Grate & Wok Support
- Burner Types
  - 1 Rapid
  - 2 Semi-rapid
  - 1 Auxiliary
- Mechanic Dial Type Knob
- Electronic Ignition (One Touch Ignition)
- Safety Device (Flame Failure Device)
- LNG / LPG Convergence Kit Incl.

### Included accessories:

- Wok Support

# Gas Cooktop Accessories

## Wok Support



The circular Wok Support ensures your wok is always in exactly the right place, so that heat is quickly and evenly distributed, and you can enjoy delicious stir fried food.









# Hood

Samsung Hood brings pure convenience to your kitchen. With their high suction power and choice of speeds they will quickly, quietly and efficiently remove steam, vapor and smoke - even if you should burn the toast. And a carbon air filter also eliminates bad odors, so your kitchen always smells fresh.





# Power Ventilation System

Proper ventilation is essential to a comfortable and healthy cooking environment, so a near-silent Power Ventilation with Booster system refreshes the air in a flash. Its 729 cubic meters an hour suction capacity gets rid of steam, fumes and odors from the kitchen extremely quickly and quietly.

# Features



## Power Ventilation System

Ensure a comfortable and healthy cooking environment with proper ventilation. A near-silent Power Ventilation System refreshes the air in a flash. Using the Booster, it has an amazing 737 cubic meters an hour suction capacity. So it gets rid of steam, fumes and odors extremely quickly and quietly.



## Auto Connectivity

Save the time and effort of controlling the hood and cooktop separately. Auto Connectivity\* wirelessly aligns and shows their status. It allows you to control the hood using the one-touch controls of the cooktop. You can instantly turn them on and off together and enjoy the ultimate in convenience



## Auto Sensor

Enjoy a pleasant cooking environment without having to control the hood. An Auto Sensor\* optimizes the ventilation speed by sensing the vapors from the cooktop. It also keeps the fan working for 10 minutes to remove any residual fumes. So you never need to worry that it's working at the right speed.



## Premium Design

Upgrade your home and create an elegant modern looking kitchen. The Premium Design has a slim profile and striking black stainless steel finish. Its will harmonize well with your kitchen furniture and other appliances, including Samsung products. So it creates a seamless and streamless and streamlined look.



## Washable Aluminum Filter

Make sure that your hood delivers a powerful ventilation performance for longer. A durable and easy to maintain Aluminum Filter captures oil and dust before it clogs the motor or hinders the airflow. It only needs cleaning every 3-4 weeks. And it is washable and small enough to go in a dishwasher.



## Touch Control

Enjoy much simpler control with the Touch Control. The bright LED panel is clear and easy to read. It also has the same intuitive touchscreen control as a smartphone. So you can quickly adjust the settings with a gentle touch. And its stylish and exclusive look will enhance your kitchen.

\* Only available when used in combination with a Samsung cooktop



# Models

Perfect for almost any space, a Samsung Hood is designed to keep your kitchen cleaner and fresher. They quickly remove smoke and steam, as well as any lingering odors.



## NK36N9804VB (90cm)

### Key features

- Auto Connectivity (with Hob)
- Auto Sensing Control
- Black Glass
- High Suction Power (737m<sup>3</sup>/h)
- Touch Control
- LED Bar Lighting
- 4Speed Extraction Modes (3Level x 1Booster)
- Washable Aluminum Metallic Filters
- Saturation Indicator
- Timer Function
- Energy Class A<sup>+</sup>

### Included accessories:

- Charcoal Filter



## NK24N9804VB (60cm)

### Key features

- Auto Connectivity (with Hob)
- Auto Sensing Control
- Black Glass
- High Suction Power (737m<sup>3</sup>/h)
- Touch Control
- LED Bar Lighting
- 4Speed Extraction Modes (3Level x 1Booster)
- Washable Aluminum Metallic Filters
- Saturation Indicator
- Timer Function
- Energy Class A<sup>+</sup>

### Included accessories:

- Charcoal Filter



## NK36M7070VS (90cm)

### Key features

- Stainless Steel
- Touch Control
- High Suction Power (729m<sup>3</sup>/h)
- 2LED Lighting
- 4Speed Extraction Modes (3Level x 1Booster)
- Washable Aluminum Metallic Filters
- Saturation Indicator
- Timer Function

### Included accessories:

- Charcoal Filter



### NK24M7070VS (60cm)

#### Key features

- Stainless Steel
- Touch Control
- High Suction Power (729m<sup>3</sup>/h)
- 2LED Lighting
- 4Speed Extraction Modes (3Level x 1Booster)
- Washable Aluminum Metallic Filters
- Saturation Indicator
- Timer Function

#### Included accessories:

- Charcoal Filter



### NK36M7070VB (90cm)

#### Key features

- Black Glass
- Touch Control
- High Suction Power (729m<sup>3</sup>/h)
- 2LED Lighting
- 4Speed Extraction Modes (3Level x 1Booster)
- Washable Aluminum Metallic Filters
- Saturation Indicator
- Timer Function

#### Included accessories:

- Charcoal Filter



### NK24M7070VB (60cm)

#### Key features

- Black Glass
- Touch Control
- High Suction Power (729m<sup>3</sup>/h)
- 2LED Lighting
- 4Speed Extraction Modes (3Level x 1Booster)
- Washable Aluminum Metallic Filters
- Saturation Indicator
- Timer Function

#### Included accessories:

- Charcoal Filter



# Models

Perfect for almost any space, a Samsung Hood is designed to keep your kitchen cleaner and fresher. They quickly remove smoke and steam, as well as any lingering odors.



## NK36N5703BS (90cm)

### Key features

- Auto Connectivity (with Hob)
- Stylish Front Black Glass
- High Suction Power (722m<sup>3</sup>/h)
- Touch Control
- 2LED Lighting
- 4Speed Extraction Modes (3Level x 1Booster)
- Washable Aluminum Metallic Filters
- Saturation Indicator
- Timer Function
- Energy Class A

### Included accessories:

- Charcoal Filter



## NK24N5703BS (60cm)

### Key features

- Auto Connectivity (with Hob)
- Stylish Front Black Glass
- High Suction Power (722m<sup>3</sup>/h)
- Touch Control
- 2LED Lighting
- 4Speed Extraction Modes (3Level x 1Booster)
- Washable Aluminum Metallic Filters
- Saturation Indicator
- Timer Function
- Energy Class A

### Included accessories:

- Charcoal Filter



## NK24N5703BM (60cm)

### Key features

- Auto Connectivity (with Hob)
- Black Stainless with Stylish Front Black Glass
- High Suction Power (722m<sup>3</sup>/h)
- Touch Control
- 2LED Lighting
- 4Speed Extraction Modes (3Level x 1Booster)
- Washable Aluminum Metallic Filters
- Saturation Indicator
- Timer Function
- Energy Class A

### Included accessories:

- Charcoal Filter



### NK36M5070BS (90cm)

#### Key features

- Stylish Front Black Glass
- Touch Control
- High Suction Power (668m<sup>3</sup>/h)
- 2LED Lighting
- 4Speed Extraction Modes (3Level x 1Booster)
- Washable Aluminum Metallic Filters
- Saturation Indicator
- Timer Function

#### Included accessories:

- Charcoal Filter



### NK24M5070BS (60cm)

#### Key features

- Stylish Front Black Glass
- Touch Control
- High Suction Power (668m<sup>3</sup>/h)
- 2LED Lighting
- 4Speed Extraction Modes (3Level x 1Booster)
- Washable Aluminum Metallic Filters
- Saturation Indicator
- Timer Function

#### Included accessories:

- Charcoal Filter



### NK36M5070BG (90cm)

#### Key features

- Black Stainless with Stylish Front Black Glass
- Touch Control
- High Suction Power (668m<sup>3</sup>/h)
- 2LED Lighting
- 4Speed Extraction Modes (3Level x 1Booster)
- Washable Aluminum Metallic Filters
- Saturation Indicator
- Timer Function

#### Included accessories:

- Charcoal Filter

# Models

Perfect for almost any space, a Samsung Hood is designed to keep your kitchen cleaner and fresher. They quickly remove smoke and steam, as well as any lingering odors.



## NK24M5070BG (60cm)

### Key features

- Black Stainless with Stylish Front Black Glass
- Touch Control
- High Suction Power (668m<sup>3</sup>/h)
- 2LED Lighting
- 4Speed Extraction Modes (3Level x 1Booster)
- Washable Aluminum Metallic Filters
- Saturation Indicator
- Timer Function

### Included accessories:

- Charcoal Filter



## NK36M5070BM (90cm)

### Key features

- Black Stainless with Stylish Front Black Glass
- Touch Control
- High Suction Power (668m<sup>3</sup>/h)
- 2LED Lighting
- 4Speed Extraction Modes (3Level x 1Booster)
- Washable Aluminum Metallic Filter
- Saturation Indicator
- Timer Function

### Included accessories:

- Charcoal Filter



## NK24M5070BM (60cm)

### Key features

- Black Stainless with Stylish Front Black Glass
- Touch Control
- High Suction Power (668m<sup>3</sup>/h)
- 2LED Lighting
- 4Speed Extraction Modes (3Level x 1Booster)
- Washable Aluminum Metallic Filter
- Saturation Indicator
- Timer Function

### Included accessories:

- Charcoal Filter



### NK36M5070FS (90cm)

#### Key features

- Stainless Steel Glass Construction
- Touch Control
- High Suction Power (670m<sup>3</sup>/h)
- 2LED Lighting
- 4Speed Extraction Modes (3Level x 1Booster)
- Washable Aluminum Metallic Filters
- Saturation Indicator
- Timer Function

#### Included accessories:

- Charcoal Filter



### NK24M5070FS (60cm)

#### Key features

- Stainless Steel Glass Construction
- Touch Control
- High Suction Power (670m<sup>3</sup>/h)
- 2LED Lighting
- 4Speed Extraction Modes (3Level x 1Booster)
- Washable Aluminum Metallic Filters
- Saturation Indicator
- Timer Function

#### Included accessories:

- Charcoal Filter



### NK36M5070CS (90cm)

#### Key features

- Stainless Steel Glass Construction
- Touch Control
- High Suction Power (670m<sup>3</sup>/h)
- 2LED Lighting
- 4Speed Extraction Modes (3Level x 1Booster)
- Washable Aluminum Metallic Filters
- Saturation Indicator
- Timer Function

#### Included accessories:

- Charcoal Filter

# Models

Perfect for almost any space, a Samsung Hood is designed to keep your kitchen cleaner and fresher. They quickly remove smoke and steam, as well as any lingering odors.



## NK24M5070CS (60cm)

### Key features

- Stainless Steel Glass Construction
- Touch Control
- High Suction Power (670m<sup>3</sup>/h)
- 2LED Lighting
- 4Speed Extraction Modes (3Level x 1Booster)
- Washable Aluminum Metallic Filters
- Saturation Indicator
- Timer Function

### Included accessories:

- Charcoal Filter



## NK36M5060SS (90cm)

### Key features

- Stainless Steel
- Touch Control
- High Suction Power (668m<sup>3</sup>/h)
- 2LED Lighting
- 4Speed Extraction Modes (3Level x 1Booster)
- Washable Aluminum Metallic Filters
- Saturation Indicator
- Timer Function

### Included accessories:

- Charcoal Filter



## NK24M5060SS (60cm)

### Key features

- Stainless Steel
- Touch Control
- High Suction Power (668m<sup>3</sup>/h)
- 2LED Lighting
- 4Speed Extraction Modes (3Level x 1Booster)
- Washable Aluminum Metallic Filters
- Saturation Indicator
- Timer Function

### Included accessories:

- Charcoal Filter



### NK36M3050PS (90cm)

#### Key features

- Stainless Steel
- Button Control
- 512m<sup>3</sup>/h Suction Power
- Bulb Lighting Lamp
- 3Speed Extraction Modes
- Washable Aluminum Metallic Filters

#### Included accessories:

- Charcoal Filter



### NK24M3050PS (60cm)

#### Key features

- Stainless Steel
- Button Control
- 512m<sup>3</sup>/h Suction Power
- Bulb Lighting Lamp
- 3Speed Extraction Modes
- Washable Aluminum Metallic Filters

#### Included accessories:

- Charcoal Filter

# Models

Perfect for almost any space, a Samsung Hood is designed to keep your kitchen cleaner and fresher. They quickly remove smoke and steam, as well as any lingering odors.



## NK36M1030IS (90cm)

### Key features

- Stainless Steel
- Button Control
- 379m<sup>3</sup>/h Suction Power
- 2LED Bulb Lighting Lamp
- 3Speed Extraction Modes
- Washable Aluminum Metallic Filters

### Included accessories:

- Charcoal Filter



## NK24M1030IS (60cm)

### Key features

- Stainless Steel
- Button Control
- 392m<sup>3</sup>/h Suction Power
- 2LED Bulb Lighting Lamp
- 3Speed Extraction Modes
- Washable Aluminum Metallic Filters

### Included accessories:

- Charcoal Filter



## NK24M1030IB (60cm)

### Key features

- Stainless Steel
- Button Control
- 392m<sup>3</sup>/h Suction Power
- 2LED Bulb Lighting Lamp
- 3Speed Extraction Modes
- Washable Aluminum Metallic Filters

### Included accessories:

- Charcoal Filter



### **NK24N1331IS (60cm)**

#### **Key features**

- Stainless Steel
- Button Control
- 361m<sup>3</sup>/h Suction Power
- 2LED Bulb Lighting Lamp
- 3Speed Extraction Modes
- Washable Aluminum Metallic Filters

#### **Included accessories:**

- Charcoal Filter



# Dishwasher

Life couldn't be easier or simpler than with a Samsung Dishwasher. Engineered with Samsung's advanced technology, it provides a never before seen cleaning and drying performance, as well as superior energy efficiency and low noise. And it also has a large, flexible capacity so you can simply do a halfload if there's not much to wash.

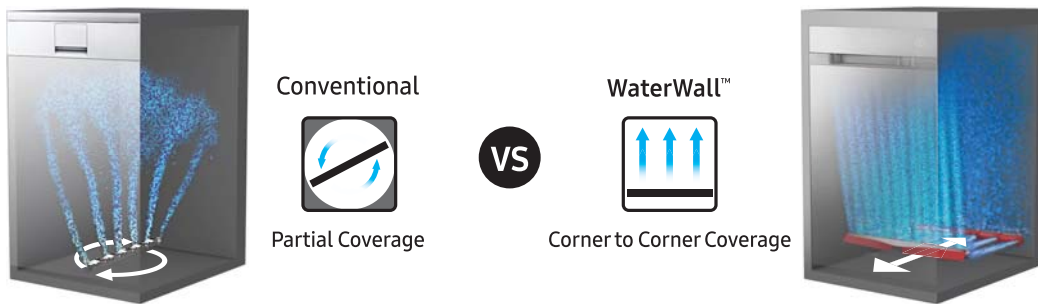






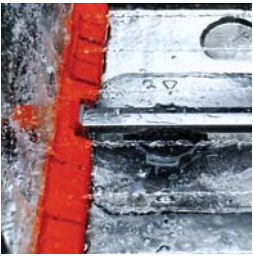
# Waterwall™ Technology

The Samsung WaterWall™ dishwasher perfectly cleans all of your dishes from corner to corner even if they are heavily soiled. WaterWall™ technology creates a high pressure wall of water that glides back and forth, so there are no more missed dishes or leftover dirt.



Unlike conventional circular water jets, the first-of-its-kind spray bar moves back and forth to create a sweeping wall of water, eliminating the need for time-consuming and water-wasting pre-rinse. It harnesses the power of high-pressure water to cover hard-to-reach places in the bottom rack.

# Features



## WaterWall™

WaterWall™ technology cleans every dish in every corner, without wasting time or water on pre-rinsing. It provides a revolutionary cleaning performance by creating a sweeping wall of high pressure water that covers the hard to reach places in the bottom rack, where you often put the dirtiest dish.

\*The Products in the video may vary by region.



## Zone Booster™

The Zone Booster™ area removes stubborn leftover food effectively. Unlike conventional dishwashers, it's the industry's widest targeted cleaning zone with 5 nozzles on the left, as well as 3 more on the right. So it gets rid of stuck-on remains and cleans really dirty dishes in a single wash.

\*The Products in the video may vary by region.



## Air Flow Drying with Auto Open

Enjoy sparkling clean dishes every time with the Air Flow Drying with Auto Open feature. At the end of a cycle the door automatically opens to allow steam to escape, giving you better drying results. A fan on the top also creates a protective curtain of air to ensure that your worktop isn't damaged.



## Premium Design

Premium styling that fits seamlessly with your kitchen furniture to enhance your home with a harmonious and modern appearance. Its recessed handle gives the front a clean and flush appearance and, because there is no handle protruding out, it also makes it easier to move around the kitchen.



### Daily 55™ Cycle

A 55" Daily Cycle saves you time by getting your dishes clean and dry much faster. It's ideal for smaller loads of lightly soiled items that don't need really intensive cleaning, such as cups and cutlery, as it will put them through a complete washing and drying cycle within just 55 minutes.



### Easy Load Racking System

An Easy Load Racking System makes it easy to load and unload all sizes of dishes. The tines in the lower rack can fully folded down to make space for large items. And its newly designed wheels move more easily and comfortably. Its height adjustable upper rack can also be quickly raised up or down.



### Wi-Fi Connectivity (Smart Control)

Wi-Fi Connectivity lets you remotely monitor and control what it's doing from anywhere at any time using an App\* on your smartphone. You can monitor the progress of a cleaning cycle, remotely turn it on and off, select or adjust the cycles to use and receive diagnostics information wherever you are.

\* 'Premium +' model only. App for iPhones & Android. Wi-Fi connection required.

# Models

## Fullsize Dishwasher (Fully Built-in)

If you like to keep things neat then the Fully Built-in Samsung Dishwasher is perfect for you. And despite its large capacity it's extremely quiet, so you might even forget it's there.



### DW60M9550BB

#### Key features

- WaterWall™ Cleaning System
- Zone Booster™ Targeted Cleaning
- 55min Wash & Dry Cycle
- Air Flow Drying with Auto Open
- Easy Load Racking System
- 14 Place Settings
- Energy Class A+++
- Water Consumption: Annual 2716L (9.7L / Cycle)
- 42dBA Noise Level
- 7 Programs : Intensive, Auto, Eco, Daily 55', Quick, Delicate, Self Clean



### DW60M9530BB

#### Key features

- WaterWall™ Cleaning System
- Zone Booster™ Targeted Cleaning
- 55min Wash & Dry Cycle
- Easy Load Racking System
- 14 Place Settings
- Energy Class A++
- Water Consumption: Annual 2716L (9.7L / Cycle)
- 44dBA Noise Level
- 6 Programs : Intensive, Auto, Eco, Daily 55', Quick, Delicate



### DW60M6050BB

#### Key features

- Flexible 3<sup>rd</sup> Rack
- Easy Height Adjustment
- Hygiene Option
- 60min Express Wash
- Full Stainless Steel Tub
- 14 Place Settings
- Energy Class A++
- Water Consumption: Annual 2940L (10.5L / Cycle)
- 44dBA Noise Level
- 7 Programs : Intensive, Auto, Express, Eco, Quick, Delicate, Pre-wash



## DW60M6040BB

### Key features

- Easy Height Adjustment
- Hygiene Option
- 60min Express Wash
- Full Stainless Steel Tub
- 13 Place Settings
- Energy Class A<sup>++</sup>
- Water Consumption:  
Annual 2940L (10.5L / Cycle)
- 44dBA Noise Level
- 6 Programs : Intensive, Auto, Express,  
Eco, Delicate, Pre-wash



# Models

## Fullsize Dishwasher (Semi Built-in)

For the ultimate in integrated style and convenience you can't beat the Semi Built-in Samsung Dishwasher. Its eco- and user-friendly design will also save you time and energy.



### DW60M9970SS

#### Key features

- WaterWall™ Cleaning System
- Zone Booster™ Targeted Cleaning
- 55min Wash & Dry Cycle
- Smart Wi-Fi Control
- Air Flow Drying with Auto Open
- Easy Load Racking System
- 14 Place Settings
- Energy Class A+++
- Water Consumption:  
Annual 2716L (9.7L / Cycle)
- 41dBA Noise Level
- 7 Programs : Intensive, Auto, Eco, Daily 55', Quick, Delicate, Self Clean



### DW60M9550SS

#### Key features

- WaterWall™ Cleaning System
- Zone Booster™ Targeted Cleaning
- 55min Wash & Dry Cycle
- Air Flow Drying with Auto Open
- Easy Load Racking System
- 14 Place Settings
- Energy Class A+++
- Water Consumption:  
Annual 2716L (9.7L / Cycle)
- 42dBA Noise Level
- 7 Programs : Intensive, Auto, Eco, Daily 55', Quick, Delicate, Self Clean



### DW60M6050SS

#### Key features

- Flexible 3<sup>rd</sup> Rack
- Easy Height Adjustment
- Hygiene Option
- 60min Express Wash
- Full Stainless Steel Tub
- 14 Place Settings
- Energy Class A++
- Water Consumption:  
Annual 2940L (10.5L / Cycle)
- 44dBA Noise Level
- 7 Programs : Intensive, Auto, Express, Eco, Quick, Delicate, Pre-wash



## DW60M6040SS

### Key features

- Easy Height Adjustment
- Hygiene Option
- 60min Express Wash
- Full Stainless Steel Tub
- 13 Place Settings
- Energy Class A<sup>++</sup>
- Water Consumption:  
Annual 2940L (10.5L / Cycle)
- 44dBA Noise Level
- 7 Programs : Intensive, Auto, Express,  
Eco, Quick, Delicate, Pre-wash

# Models

## Fullsize Dishwasher (Built Under)

Add an extra touch of style with a Built Under Samsung Dishwasher. Its elegant, user-friendly design will complement any modern kitchen perfectly, while also delivering a brilliant cleaning performance.



### DW60M9970US

#### Key features

- WaterWall™ Cleaning System
- Zone Booster™ Targeted Cleaning
- 55min Wash & Dry Cycle
- Smart Wi-Fi Control
- Air Flow Drying with Auto Open
- Easy Load Racking System
- 14 Place Settings
- Energy Class A+++
- Water Consumption:  
Annual 2716L (9.7L / Cycle)
- 42dBA Noise Level
- 7 Programs : Intensive, Auto, Eco, Daily 55', Quick, Delicate, Self Clean



### DW60M9550US

#### Key features

- WaterWall™ Cleaning System
- Zone Booster™ Targeted Cleaning
- 55min Wash & Dry Cycle
- Air Flow Drying with Auto Open
- Easy Load Racking System
- 14 Place Settings
- Energy Class A+++
- Water Consumption:  
Annual 2716L (9.7L / Cycle)
- 42dBA Noise Level
- 7 Programs : Intensive, Auto, Eco, Daily 55', Quick, Delicate, Self Clean



### DW60M6050US

#### Key features

- Flexible 3<sup>rd</sup> Rack
- Easy Height Adjustment
- Hygiene Option
- 60min Express Wash
- Full Stainless Steel Tub
- 14 Place Settings
- Energy Class A++
- Water Consumption:  
Annual 2940L (10.5L / Cycle)
- 44dBA Noise Level
- 7 Programs : Intensive, Auto, Express, Eco, Quick, Delicate, Pre-wash



### DW60M6050UW

#### Key features

- Flexible 3<sup>rd</sup> Rack
- Easy Height Adjustment
- Hygiene Option
- 60min Express Wash
- Full Stainless Steel Tub
- 14 Place Settings
- Energy Class A<sup>++</sup>
- Water Consumption:  
Annual 2940L (10.5L / cycle)
- 44dBA Noise Level
- 7 Programs : Intensive, Auto, Express, Eco, Quick, Delicate, Pre-wash



### DW60M6051US

#### Key features

- Flexible 3<sup>rd</sup> Rack
- Easy Height Adjustment
- Hygiene Option
- 60min Express Wash
- Full Stainless Steel Tub
- 14 Place Settings
- Energy Class A<sup>++</sup>
- Water Consumption:  
Annual 2940L (10.5L / Cycle)
- 44dBA Noise Level
- 7 Programs : Intensive, Auto, Express, Eco, Quick, Delicate, Pre-wash



### DW60M6051UW

#### Key features

- Flexible 3<sup>rd</sup> Rack
- Easy Height Adjustment
- Hygiene Option
- 60min Express Wash
- Full Stainless Steel Tub
- 14 Place Settings
- Energy Class A<sup>++</sup>
- Water Consumption:  
Annual 2940L (10.5L / cycle)
- 44dBA Noise Level
- 7 Programs : Intensive, Auto, Express, Eco, Quick, Delicate, Pre-wash

# Models

## Fullsize Dishwasher (Built Under)

Add an extra touch of style with a Built Under Samsung Dishwasher. Its elegant, user-friendly design will complement any modern kitchen perfectly, while also delivering a brilliant cleaning performance.



### DW60M6040US

#### Key features

- Easy Height Adjustment
- Hygiene Option
- 60min Express Wash
- Full Stainless Steel Tub
- 13 Place Settings
- Energy Class A<sup>++</sup>
- Water Consumption:  
Annual 2940L (10.5L / Cycle)
- 44dBA Noise Level
- 7 Programs : Intensive, Auto, Express, Eco, Quick, Delicate, Pre-wash



### DW60M6040UW

#### Key features

- Easy Height Adjustment
- Hygiene Option
- 60min Express Wash
- Full Stainless Steel Tub
- 13 Place Settings
- Energy Class A<sup>++</sup>
- Water Consumption:  
Annual 2940L (10.5L / Cycle)
- 44dBA Noise Level
- 7 Programs : Intensive, Auto, Express, Eco, Quick, Delicate, Pre-wash

# Models

## Fullsize Dishwasher (Freestanding)

Enjoy complete flexibility with a Freestanding Samsung Dishwasher. Its sleek, modern styling will enhance any space, while delivering a powerful and efficient washing performance.



### DW60M9550FS

#### Key features

- WaterWall™ Cleaning System
- Zone Booster™ Targeted Cleaning
- 55min Wash & Dry Cycle
- Air Flow Drying with Auto Open
- Easy Load Racking System
- 14 Place Settings
- Energy Class A+++
- Water Consumption:  
Annual 2716L (9.7L / Cycle)
- 42dBA Noise Level
- 7 Programs : Intensive, Auto, Eco, Daily 55', Quick, Delicate, Self Clean



### DW60M9550FW

#### Key features

- WaterWall™ Cleaning System
- Zone Booster™ Targeted Cleaning
- 55min Wash & Dry Cycle
- Air Flow Drying with Auto Open
- Easy Load Racking System
- 14 Place Settings
- Energy Class A+++
- Water Consumption:  
Annual 2716L (9.7L / Cycle)
- 42dBA Noise Level
- 7 Programs : Intensive, Auto, Eco, Daily 55', Quick, Delicate, Self Clean







# Models

## Refrigerator

Built-in Fridge Freezers



Model Code		BRB260189WW (BRB2G0189WW)	BRB260089WW	BRB260178WW (BRB2G0178WW)	BRB260187WW (BRB2G0187WW)
<b>Classification Capacity (Marketing)</b>		256L	256L	257L	263L
<b>Actual Capacity (Net L)</b>					
Total (L)		256L	256L	257L	263L
Refrigerator (L)		191L	191L	192L	191L
Freezer / Cool Select Plus (L)		65L	65L	65L	72L
Volt / Amps		220-240V / 50Hz	220-240V / 50Hz	220-240V / 50Hz	220-240V / 50Hz
<b>Net Dimensions</b>					
Width	Width (Label)	540mm	540mm	540mm	540mm
Height	W/Hinge (Label)	1,775mm	1,775mm	1,775mm	1,775mm
	W/O Hinge (Label)	1,775mm	1,775mm	1,775mm	1,775mm
Depth	W/Handle	550mm	550mm	550mm	550mm
	W/O Handles (Label)	550mm	550mm	550mm	550mm
Weight		69.5kg	67.5kg	68.5kg	63kg
<b>Technology</b>					
Cooling Technology		Twin Cooling Plus™	Twin Cooling Plus™	Twin Cooling Plus™	Twin Cooling Plus™
Precise Cooling (Fridge / Freezer / FlexZone™)		Yes / No / No	Yes / No / No	Yes / No / No	No / No / No
Noise		38dBA	38dBA	38dBA	38dBA
Temperature Control		Digital	Digital	Digital	Digital
Metal Cooling (Duct)		Yes	Yes	No	Yes
Refrigerant		R600a	R600a	R600a	R600a
Climate Class		SN, N, ST, T	SN, N, ST, T	SN, N, ST, T	SN, N, ST, T
Freezing Capacity		9.0kg	9.0kg	9.0kg	9.0kg
Autonomy Hour (Temp Rising)		18hr	18hr	18hr	14hr
Smart	Wi-Fi Embedded	N/A	N/A	N/A	N/A
	Dongle-Ready	Yes	Yes	Yes	Yes
	Glaze	No	No	No	No
<b>Fridge Features</b>					
<b>Refrigerator</b>					
Interior Material		ABS	ABS	ABS	ABS
Interior Color		White	White	White	White
Shelves	Quantity	4EA	4EA	4EA	4EA
	Deco	Yes	Yes	Yes	Yes
	Spill Proof	Yes	Yes	Yes	Yes
Take Out Tray		1EA	1EA	No	1EA
Crispers	Quantity	1EA	1EA	1EA	1EA
	Deco	Hot Stamping	Hot Stamping	Hot Stamping	Hot Stamping
Fresh Zone	Quantity	1EA	1EA	1EA	1EA
	Soft Closing	No	No	No	No
	Deco	Hot Stamping	Hot Stamping	Hot Stamping	Hot Stamping
<b>Door</b>					
Full Flushed Door		Fixed Hinge	Slide Hinge	Fixed Hinge	Fixed Hinge
Soft Close Damper		N/A	N/A	N/A	N/A
Door Bins	Total (All) Quantity	5EA	5EA	5EA	5EA
	Color	TP Blue	TP Blue	TP Blue	TP Blue
	Deco	Hot Stamping	Hot Stamping	Hot Stamping	Hot Stamping
Dairy Bin	Dairy Bin	1EA	1EA	1EA	1EA
	Color	TP Blue	TP Blue	TP Blue	TP Blue
	Deco	Hot Stamping	Hot Stamping	Hot Stamping	Hot Stamping
Accessories	Wine Rack	1EA	1EA	1EA	1EA
	Egg Container	1EA	1EA	1EA	1EA
Lighting System	Interior Light	Upper 1EA - Pilar LED	Upper 1EA - Pilar LED	Upper 1EA - Pilar LED	Upper 1EA - Pilar LED
	Refrigerant HFC (Hydrochlorofluorocarbon)	R600a	R600a	R600a	R600a
<b>Freezer Features</b>					
<b>Freezer</b>					
Easy Open Handle™		No	No	No	No
Handle Type		No	No	No	No
Drawer	Quantity	2EA	2EA	2EA	2EA
	Soft Closing	No	No	No	No
Material		ABS / GPPS	ABS / GPPS	ABS / GPPS	ABS / GPPS
Shelves	Quantity	1EA	1EA	1EA	1EA
	Easy Slide	Yes	Yes	Yes	Yes
<b>Lighting System</b>					
Interior Light	Location / Power / #	N/A	N/A	N/A	N/A
<b>Cool Select Plus</b>					
Display	Temp. Control	4Step	4Step	4Step	4Step
	Temperature Zone	Cool Select Plus	Cool Select Plus	Cool Select Plus	Cool Select Plus
		Fridge (41°F / 2°C)	Fridge (41°F / 2°C)	Fridge (41°F / 2°C)	Fridge (41°F / 2°C)
		Chilled (30°F / -1°C)	Chilled (30°F / -1°C)	Chilled (30°F / -1°C)	Chilled (30°F / -1°C)
		Soft Freezing (23°F / -5°C)	Soft Freezing (23°F / -5°C)	Soft Freezing (23°F / -5°C)	Soft Freezing (23°F / -5°C)
		Frozen (-9~-1°F / -23~-15°C)	Frozen (-9~-1°F / -23~-15°C)	Frozen (-9~-1°F / -23~-15°C)	Frozen (-9~-1°F / -23~-15°C)
Material		ABS / GPPS	ABS / GPPS	ABS / GPPS	ABS / GPPS
<b>Lighting System</b>					
Interior Light	Location / Power / #	N/A	N/A	N/A	N/A

# Models

## Refrigerator

Built-in Fridge Freezers



Model Code		BRB260087WW	BRB260176WW (BRB2G0176WW)	BRB260076WW	BRB260135WW (BRB2G0135WW)
<b>Classification Capacity (Marketing)</b>					
Actual Capacity (Net L)		263L	264L	264L	266L
<b>Net Dimensions</b>					
Total (L)		263L	264L	264L	266L
Refrigerator (L)		191L	192L	192L	194L
Freezer / Cool Select Plus (L)		72L	72L	72L	72L
Volt / Amps		220-240V / 50Hz	220-240V / 50Hz	220-240V / 50Hz	220-240V / 50Hz
Width	Width (Label)	540mm	540mm	540mm	540mm
Height	W/Hinge (Label)	1,775mm	1,775mm	1,775mm	1,775mm
	W/O Hinge (Label)	1,775mm	1,775mm	1,775mm	1,775mm
Depth	W/Handle	550mm	550mm	550mm	550mm
	W/O Handles (Label)	550mm	550mm	550mm	550mm
Weight		62kg	62kg	62kg	59kg
<b>Technology</b>					
Cooling Technology		Twin Cooling Plus™	Twin Cooling Plus™	Twin Cooling Plus™	All Around Cooling
Precise Cooling (Fridge / Freezer / FlexZone™)		No / No / No	No / No / No	No / No / No	No / No / No
Noise		38dBA	38dBA	38dBA	38dBA
Temperature Control		Digital	Digital	Digital	Digital
Metal Cooling (Duct)		Yes	No	No	Yes
Refrigerant		R600a	R600a	R600a	R600a
Climate Class		SN, N, ST, T	SN, N, ST, T	SN, N, ST, T	SN, N, ST, T
Freezing Capacity		9.0kg	9.0kg	9.0kg	9.0kg
Autonomy Hour (Temp Rising)		14hr	14hr	14hr	14hr
Smart	Wi-Fi Embedded	N/A	N/A	N/A	N/A
	Dongle-Ready	Yes	Yes	Yes	N/A
	Glaze	No	No	No	No
<b>Fridge Features</b>					
<b>Refrigerator</b>					
Interior Material		ABS	ABS	ABS	ABS
Interior Color		White	White	White	White
Shelves	Quantity	4EA	4EA	4EA	4EA
	Deco	Yes	Yes	Yes	Yes
	Spill Proof	Yes	Yes	Yes	Yes
Take Out Tray		1EA	No	No	No
Crispers	Quantity	1EA	1EA	1EA	2EA
	Deco	Hot Stamping	Hot Stamping	Hot Stamping	Hot Stamping
Fresh Zone	Quantity	1EA	1EA	1EA	No
	Soft Closing	No	No	No	No
	Deco	Hot Stamping	Hot Stamping	Hot Stamping	Hot Stamping
<b>Door</b>					
Full Flushed Door		Slide Hinge	Fixed Hinge	Slide Hinge	Fixed Hinge
Soft Close Damper		N/A	N/A	N/A	N/A
Door Bins	Total (All) Quantity	5EA	5EA	5EA	5EA
	Color	TP Blue	TP Blue	TP Blue	TP Blue
	Deco	Hot Stamping	Hot Stamping	Hot Stamping	Hot Stamping
Dairy Bin	Dairy Bin	1EA	1EA	1EA	1EA
	Color	TP Blue	TP Blue	TP Blue	TP Blue
	Deco	Hot Stamping	Hot Stamping	Hot Stamping	Hot Stamping
Accessories	Wine Rack	1EA	1EA	1EA	1EA
	Egg Container	1EA	1EA	1EA	1EA
Lighting System	Interior Light	Upper1EA - Pilar LED	Upper1EA - Pilar LED	Upper1EA - Pilar LED	Upper1EA - Pilar LED
	Refrigerant HFC (Hydrochlorofluorocarbon)	R600a	R600a	R600a	R600a
<b>Freezer Features</b>					
<b>Freezer</b>					
Easy Open Handle™		No	No	No	No
Handle Type		No	No	No	No
Drawer	Quantity	2EA	2EA	2EA	2EA
	Soft Closing	No	No	No	No
Material		ABS / GPPS	ABS / GPPS	ABS / GPPS	ABS / GPPS
Shelves	Quantity	1EA	1EA	1EA	1EA
	Easy Slide	Yes	Yes	Yes	Yes
		N/A	N/A	N/A	N/A
<b>Lighting System</b>					
Interior Light	Location / Power / #	N/A	N/A	N/A	N/A
<b>Cool Select Plus</b>					
Display	Temp. Control	4Step	4Step	4Step	No
	Temperature Zone	Cool Select Plus	Cool Select Plus	Cool Select Plus	No
		Fridge (41°F / 2°C)	Fridge (41°F / 2°C)	Fridge (41°F / 2°C)	No
		Chilled (30°F / -1°C)	Chilled (30°F / -1°C)	Chilled (30°F / -1°C)	No
		Soft Freezing (23°F / -5°C)	Soft Freezing (23°F / -5°C)	Soft Freezing (23°F / -5°C)	No
		Frozen (-9~-1°F / -23~-15°C)	Frozen (-9~-1°F / -23~-15°C)	Frozen (-9~-1°F / -23~-15°C)	No
Material		ABS / GPPS	ABS / GPPS	ABS / GPPS	No
<b>Lighting System</b>					
Interior Light	Location / Power / #	N/A	N/A	N/A	No

# Models

## Refrigerator

Built-in Fridger Freezers



Model Code		BRB260035WW	BRB260134WW (BRB2G0134WW)	BRB260034WW	BRB260131WW (BRB2G0131WW)
<b>Classification Capacity (Marketing)</b>					
Actual Capacity (Net L)		266L	267L	267L	266L
<b>Net Dimensions</b>					
Total (L)		266L	267L	267L	266L
Refrigerator (L)		194L	195L	195L	194L
Freezer / Cool Select Plus (L)		72L	72L	72L	72L
Volt / Amps		220-240V / 50Hz	220-240V / 50Hz	220-240V / 50Hz	220-240V / 50Hz
Width	Width (Label)	540mm	540mm	540mm	540mm
Height	W/Hinge (Label)	1,775mm	1,775mm	1,775mm	1,775mm
	W/O Hinge (Label)	1,775mm	1,775mm	1,775mm	1,775mm
Depth	W/Handle	550mm	550mm	550mm	550mm
	W/O Handles (Label)	550mm	550mm	550mm	550mm
Weight		58.5kg	58.5kg	58kg	60.5kg
<b>Technology</b>					
Cooling Technology		All Around Cooling	All Around Cooling	All Around Cooling	All Around Cooling
Precise Cooling	(Fridge / Freezer / FlexZone™)	No / No / No	No / No / No	No / No / No	No / No / No
Noise		38dBA	38dBA	38dBA	37dBA
Temperature Control		Digital	Digital	Digital	Digital
Metal Cooling (Duct)		Yes	No	No	Yes
Refrigerant		R600a	R600a	R600a	R600a
Climate Class		SN, N, ST, T	SN, N, ST, T	SN, N, ST, T	SN, N, ST
Freezing Capacity		9.0kg	9.0kg	9.0kg	9.0kg
Autonomy Hour (Temp Rising)		14hr	14hr	14hr	14hr
Smart	Wi-Fi Embedded	N/A	N/A	N/A	N/A
	Dongle-Ready	N/A	N/A	N/A	N/A
	Glaze	No	No	No	No
<b>Fridge Features</b>					
<b>Refrigerator</b>					
Interior Material		ABS	ABS	ABS	ABS
Interior Color		White	White	White	White
Shelves	Quantity	4EA	4EA	4EA	4EA
	Deco	Yes	Yes	Yes	Yes
	Spill Proof	Yes	Yes	Yes	Yes
Take Out Tray		No	No	No	No
Crispers	Quantity	2EA	2EA	2EA	2EA
	Deco	Hot Stamping	Hot Stamping	Hot Stamping	Hot Stamping
Fresh Zone	Quantity	No	No	No	No
	Soft Closing	No	No	No	No
	Deco	Hot Stamping	Hot Stamping	Hot Stamping	Hot Stamping
<b>Door</b>					
Full Flushed Door		Slide Hinge	Fixed Hinge	Slide Hinge	Fixed Hinge
Soft Close Damper		N/A	N/A	N/A	N/A
Door Bins	Total (All) Quantity	5EA	5EA	5EA	5EA
	Color	TP Blue	TP Blue	TP Blue	TP Blue
	Deco	Hot Stamping	Hot Stamping	Hot Stamping	Hot Stamping
Dairy Bin	Dairy Bin	1EA	1EA	1EA	1EA
	Color	TP Blue	TP Blue	TP Blue	TP Blue
	Deco	Hot Stamping	Hot Stamping	Hot Stamping	Hot Stamping
Accessories	Wine Rack	1EA	1EA	1EA	1EA
	Egg Container	1EA	1EA	1EA	1EA
Lighting System	Interior Light	Upper 1EA - Pilar LED	Upper 1EA - Pilar LED	Upper 1EA - Pilar LED	Upper 1EA - Pilar LED
	Refrigerant HFC	R600a	R600a	R600a	R600a
	(Hydrochlorofluorocarbon)				
<b>Freezer Features</b>					
<b>Freezer</b>					
Easy Open Handle™		No	No	No	No
Handle Type		No	No	No	No
Drawer	Quantity	2EA	2EA	2EA	2EA
	Soft Closing	No	No	No	No
Material		ABS / GPPS	ABS / GPPS	ABS / GPPS	ABS / GPPS
Shelves	Quantity	1EA	1EA	1EA	1EA
	Easy Slide	Yes	Yes	Yes	Yes
<b>Lighting System</b>					
Interior Light	Location / Power / #	N/A	N/A	N/A	N/A
<b>Cool Select Plus</b>					
Display	Temp. Control	No	No	No	No
	Temperature Zone	No	No	No	No
		No	No	No	No
		No	No	No	No
		No	No	No	No
Material		No	No	No	No
<b>Lighting System</b>					
Interior Light	Location / Power / #	No	No	No	No

# Models

## Refrigerator

Built-in Fridge Freezers



Model Code		BRB260031WW	BRB260130WW (BRB2G0130WW)	BRB260030WW
<b>Classification Capacity (Marketing)</b>				
Actual Capacity (Net L)		266L	267L	267L
<b>Net Dimensions</b>				
Total (L)		266L	267L	267L
Refrigerator (L)		194L	195L	195L
Freezer / Cool Select Plus (L)		72L	72L	72L
Volt / Amps		220-240V / 50Hz	220-240V / 50Hz	220-240V / 50Hz
<b>Technology</b>				
Cooling Technology		All Around Cooling	All Around Cooling	All Around Cooling
Precise Cooling (Fridge / Freezer / FlexZone™)		No / No / No	No / No / No	No / No / No
Noise		37dBA	37dBA	37dBA
Temperature Control		Digital	Digital	Digital
Metal Cooling (Duct)		Yes	No	No
Refrigerant		R600a	R600a	R600a
Climate Class		SN, N, ST	SN, N, ST	SN, N, ST
Freezing Capacity		9.0kg	9.0kg	9.0kg
Autonomy Hour (Temp Rising)		14hr	14hr	14hr
Smart	Wi-Fi Embedded	N/A	N/A	N/A
	Dongle-Ready	N/A	N/A	N/A
	Glaze	No	No	No
<b>Fridge Features</b>				
<b>Refrigerator</b>				
Interior Material		ABS	ABS	ABS
Interior Color		White	White	White
Shelves	Quantity	4EA	4EA	4EA
	Deco	Yes	Yes	Yes
	Spill Proof	Yes	Yes	Yes
Take Out Tray		No	No	No
Crispers	Quantity	2EA	2EA	2EA
	Deco	Hot Stamping	Hot Stamping	Hot Stamping
Fresh Zone	Quantity	No	No	No
	Soft Closing	No	No	No
	Deco	Hot Stamping	Hot Stamping	Hot Stamping
<b>Door</b>				
Full Flushed Door		Slide Hinge	Fixed Hinge	Slide Hinge
Soft Close Damper		N/A	N/A	N/A
Door Bins	Total (All) Quantity	5EA	5EA	5EA
	Color	TP Blue	TP Blue	TP Blue
	Deco	Hot Stamping	Hot Stamping	Hot Stamping
Dairy Bin	Dairy Bin	1EA	1EA	1EA
	Color	TP Blue	TP Blue	TP Blue
	Deco	Hot Stamping	Hot Stamping	Hot Stamping
Accessories	Wine Rack	1EA	1EA	1EA
	Egg Container	1EA	1EA	1EA
Lighting System	Interior Light	Upper1EA - Pilar LED	Upper1EA - Pilar LED	Upper1EA - Pilar LED
	Refrigerant HFC (Hydrochlorofluorocarbon)	R600a	R600a	R600a
<b>Freezer Features</b>				
<b>Freezer</b>				
Easy Open Handle™		No	No	No
Handle Type		No	No	No
Drawer	Quantity	2EA	2EA	2EA
	Soft Closing	No	No	No
Material		ABS / GPPS	ABS / GPPS	ABS / GPPS
Shelves	Quantity	1EA	1EA	1EA
	Easy Slide	Yes	Yes	Yes
<b>Lighting System</b>				
Interior Light	Location / Power / #	N/A	N/A	N/A
<b>Cool Select Plus</b>				
Display	Temp. Control	No	No	No
	Temperature Zone	No	No	No
		No	No	No
		No	No	No
		No	No	No
Material		No	No	No
<b>Lighting System</b>				
Interior Light	Location / Power / #	No	No	No

# Models

## Refrigerator

Built-in Fridge Freezers



Model Code		BRB260010WW	BRB260000WW
<b>Classification Capacity (Marketing)</b>		268L	268L
<b>Actual Capacity (Net L)</b>			
Total (L)		268L	268L
Refrigerator (L)		196L	196L
Freezer / Cool Select Plus (L)		72L	72L
Volt / Amps		220-240V / 50Hz	220-240V / 50Hz
<b>Net Dimensions</b>			
Width	Width (Label)	540mm	540mm
Height	W/Hinge (Label)	1,775mm	1,775mm
	W/O Hinge (Label)	1,775mm	1,775mm
Depth	W/Handle	550mm	550mm
	W/O Handles (Label)	550mm	550mm
Weight		57kg	57kg
<b>Technology</b>			
Cooling Technology		All Around Cooling	All Around Cooling
Precise Cooling	(Fridge / Freezer / FlexZone™)	No / No / No	No / No / No
Noise		37dBA	37dBA
Temperature Control		Digital	Digital
Metal Cooling (Duct)		No	No
Refrigerant		R600a	R600a
Climate Class		SN, N, ST	SN, N, ST
Freezing Capacity		9.0kg	9.0kg
Autonomy Hour (Temp Rising)		14hr	14hr
Smart	Wi-Fi Embedded	N/A	N/A
	Dongle-Ready	N/A	N/A
	Glaze	No	No
<b>Fridge Features</b>			
<b>Refrigerator</b>			
Interior Material		ABS	ABS
Interior Color		White	White
Shelves	Quantity	4EA	3EA
	Deco	No	No
	Spill Proof	Yes	Yes
Take Out Tray		No	No
Crispers	Quantity	1EA	1EA
	Deco	No	No
Fresh Zone	Quantity	No	No
	Soft Closing	No	No
	Deco	No	No
<b>Door</b>			
Full Flushed Door		Slide Hinge	Slide Hinge
Soft Close Damper		N/A	N/A
Door Bins	Total (All) Quantity	5EA	4EA
	Color	TP Blue	TP Blue
	Deco	No	No
Dairy Bin	Dairy Bin	1EA	1EA
	Color	TP Blue	TP Blue
	Deco	No	No
Accessories	Wine Rack	No	No
	Egg Container	1EA	1EA
Lighting System	Interior Light	Upper 1EA - Pilar LED	Upper 1EA - Pilar LED
	Refrigerant HFC	R600a	R600a
	(Hydrochlorofluorocarbon)		
<b>Freezer Features</b>			
<b>Freezer</b>			
Easy Open Handle™		No	No
Handle Type		No	No
Drawer	Quantity	2EA	2EA
	Soft Closing	No	No
Material		ABS / GPPS	ABS / GPPS
Shelves	Quantity	1EA	1EA
	Easy Slide	Yes	Yes
<b>Lighting System</b>			
Interior Light	Location / Power / #	N/A	N/A
<b>Cool Select Plus</b>			
Display	Temp. Control	No	No
	Temperature Zone	No	No
		No	No
		No	No
		No	No
Material		No	No
<b>Lighting System</b>			
Interior Light	Location / Power / #	No	No

# Models

## Refrigerator

Built-in Fridge with freezer compartment



149

Model Code	BRR13R121WW	BRR16R121WW	BRR20R121WW
<b>Capacity</b>			
Net Total (L)	128L	154L	193L
Net for Freezer (L)	-	-	-
Net for Fridge (L)	128L	154L	193L
Gross Total (L)	129L	155L	195L
Gross for Freezer (L)	-	-	-
Gross for Fridge (L)	129L	155L	195L
<b>Physical Specifications</b>			
Net Width (mm)	540mm	540mm	540mm
Net Case Height without Top Decorative Plate (mm)	875mm	1020mm	1225mm
Net Depth without Door Handle (mm)	545mm	545mm	545mm
Packing Dimension (W x H x D) (mm)	584 x 600 x 939mm	584 x 600 x 1084mm	584 x 600 x 1289mm
Net Weight (kg)	32kg	32.5kg	37kg
Packing Weight (kg)	34kg	35kg	39.5kg
20 / 40 / 40H (Container)	72 / 160 / 205	72 / 160 / 160	49 / 109 / 160
<b>Cooling Features</b>			
Cooling Type	Direct Cooling	Direct Cooling	Direct Cooling
No Frost	No	No	No
Multi Flow	No	No	No
<b>Refrigerator Feature</b>			
Number of Shelf (Total)	3EA	3EA	4EA
Wine Rack	Yes	Yes	Yes
Number of Door Pocket	3EA	4EA	4EA
Egg Container (Egg Tray)	No	No	No
Interior LED Light	Bulb LED	Bulb LED	Bulb LED
Hot Stamping	No	Yes	Yes
Shelf Material	Tempered Glass	Tempered Glass	Tempered Glass
Number of Vegetable&Fruit Drawer	1EA	1EA	1EA
<b>General Feature</b>			
Door Reversible	Yes	Yes	Yes
Door Alarm	No	No	No
Refrigerant	R600a	R600a	R600a
Compressor	AC	AC	AC
<b>Exterior Feature</b>			
Dispenser with Water Filter	No	No	No
Display & Control (Fridge and Freezer)	Dial	Dial	Dial
Door Handle	-	-	-
Color	White	White	White
<b>Performance</b>			
Energy Efficiency Class	A++	A++	A++
Noise Level	39dBA	41dBA	41dBA
Climate Class	N	N	N
Freezing Capacity (kg / 24h)	-	-	-
Energy Consumption	92kWh / Year	94kWh / Year	98kWh / Year
<b>Installation</b>			
Built-in	Yes	Yes	Yes
Door Hinge Type	Fixed Hinge	Fixed Hinge	Fixed Hinge
Detailed Content	Refer to User Manual	Refer to User Manual	Refer to User Manual
<b>Cabinet Dimensions</b>			
Min. Width	560mm	560mm	560mm
Max. Width	570mm	570mm	570mm
Min. Height	875mm	1020mm	1225mm
Max. Height	895mm	1040mm	1245mm
Min. Depth	550mm	550mm	550mm

# Models

## Refrigerator

Kitchen Fit™ Fridge Freezers



Model Code		RB33R8717S9	RB33R8717SR	RB33R8737S9	RB33R8737B1
Energy		A++	A++	A++	A++
<b>Capacity</b>					
Total (L)		329L	329L	329L	329L
Refrigerator (L)		217L	217L	217L	217L
Freezer (L)		107L	107L	107L	107L
<b>Physical Specifications</b>					
Net Width		595mm	595mm	595mm	595mm
Net Case Height with Hinge		1927mm	1927mm	1927mm	1927mm
Net Case Height without Hinge		1927mm	1927mm	1927mm	1927mm
Net Depth with Door Handle (Recess)		590mm	590mm	590mm	590mm
Net Depth without Door Handle (Recess)		590mm	590mm	590mm	590mm
Net Depth without Door		535mm	535mm	535mm	535mm
<b>Cooling Features</b>					
No Frost		Yes	Yes	Yes	Yes
Multi Flow		Twin Cooling Plus™	Twin Cooling Plus™	Twin Cooling Plus™	Twin Cooling Plus™
<b>Exterior Features</b>					
Dispenser		-	-	-	-
Display & Control (Ice Blue)		Internal	Internal	Internal	Internal
Handle		Recess	Recess	Recess	Recess
Handle Lighting		Lighting	Lighting	Lighting	Lighting
Color		B1	SR	S9	B1
<b>Fridge Features</b>					
Drawer (Gray Resin)	Chef Zone (Rail + Tray + 1Piece Box + Metal Plate)	-	-	-	-
	Fresh Zone	1EA	1EA	1EA	1EA
	Veg Box	1EA	1EA	1EA	1EA
	Hot Stamping (Without Trim)	Yes	Yes	Yes	Yes
	White Trim	-	-	-	-
Number of Shelf (Inc. Box Cover)	Bottom Box Cover	1EA	1EA	1EA	1EA
	Hot Stamping	2EA	2EA	2EA	2EA
	Slide & Foldable	-	-	-	-
	Bottle Rack (STS)	-	-	Yes	Yes
	Chef Pan (STS) + Cover	-	-	-	-
Door Guard	Dairy Guard	1EA	1EA	1EA	1EA
	Guard Variety	4EA	4EA	4EA	4EA
	Bottle Guard	1EA	1EA	1EA	1EA
	Hot Stamping	Yes	Yes	Yes	Yes
	Water Tank	-	-	-	-
	Egg Container	1EA x 10	1EA x 10	1EA x 10	1EA x 10
Duct Metal Plate (Twin & Metal Cooling -Inlet)		-	-	Yes	Yes
Power Cool		Yes	Yes	Yes	Yes
LED Lighting		Top LED	Top LED	Top LED	Top LED
<b>Freezer Features</b>					
Ice Maker		Tray + Ice Cube	Tray + Ice Cube	Tray + Ice Cube	Tray + Ice Cube
Number of Shelf (Glass Only)		1EA	1EA	1EA	1EA
Normal (2 - Piece)		3EA	3EA	3EA	3EA
Freeze Star Rating		4Star	4Star	4Star	4Star
Power Freeze Function		Yes	Yes	Yes	Yes
Cool Select Plus		Yes	Yes	Yes	Yes
<b>Others</b>					
Door Reversible		Yes	Yes	Yes	Yes
Door Alarm		Yes	Yes	Yes	Yes
Cabinet Fit		Yes	Yes	Yes	Yes
Pair Installation		No	No	No	No
Innerview Camera		No	No	No	No

# Models

## Refrigerator

Kitchen Fit™ Fridge Freezers



Model Code		RB33R8739SR	RB33R8837SR	RB33R8837S9	RB33R8899B1
Energy		A+++	A++	A++	A+++
<b>Capacity</b>					
Total (L)		329L	329L	329L	329L
Refrigerator (L)		217L	217L	217L	217L
Freezer (L)		107L	107L	107L	107L
<b>Physical Specifications</b>					
Net Width		595mm	595mm	595mm	595mm
Net Case Height with Hinge		1927mm	1927mm	1927mm	1927mm
Net Case Height without Hinge		1927mm	1927mm	1927mm	1927mm
Net Depth with Door Handle (Recess)		590mm	590mm	590mm	590mm
Net Depth without Door Handle (Recess)		590mm	590mm	590mm	590mm
Net Depth without Door		535mm	535mm	535mm	535mm
<b>Cooling Features</b>					
No Frost		Yes	Yes	Yes	Yes
Multi Flow		Twin Cooling Plus™	Twin Cooling Plus™	Twin Cooling Plus™	Twin Cooling Plus™
<b>Exterior Features</b>					
Dispenser		-	-	-	-
Display & Control (Ice Blue)		Internal	External	External	External
Handle		Recess	Recess	Recess	Recess
Handle Lighting		Lighting	Lighting	Lighting	Lighting
Color		SR	SR	S9	B1
<b>Fridge Features</b>					
Drawer (Gray Resin)	Chef Zone (Rail + Tray + 1Piece Box + Metal Plate)	-	-	-	Yes
	Fresh Zone	1EA	1EA	1EA	-
	Veg Box	1EA	1EA	1EA	1EA
	Hot Stamping (Without Trim)	Yes	Yes	Yes	Yes
	White Trim	-	-	-	-
Number of Shelf (Inc. Box Cover)	Bottom Box Cover	1EA	1EA	1EA	1EA
	Hot Stamping	2EA	2EA	2EA	2EA
	Slide & Foldable	-	-	-	-
	Bottle Rack (STS)	Yes	Yes	Yes	Yes
	Chef Pan (STS) + Cover	-	-	-	Yes
Door Guard	Dairy Guard	1EA	1EA	1EA	1EA
	Guard Variety	4EA	4EA	4EA	4EA
	Bottle Guard	1EA	1EA	1EA	1EA
	Hot Stamping	Yes	Yes	Yes	Yes
	Water Tank	-	-	-	-
	Egg Container	1EA x 10	1EA x 10	1EA x 10	1EA x 10
Duct Metal Plate (Twin & Metal Cooling -Inlet)		Yes	Yes	Yes	Yes
Power Cool		Yes	Yes	Yes	Yes
LED Lighting		Top LED	Top LED	Top LED	Top LED
<b>Freezer Features</b>					
Ice Maker		Tray + Ice Cube	Tray + Ice Cube	Tray + Ice Cube	Tray + Ice Cube
Number of Shelf (Glass Only)		1EA	1EA	1EA	1EA
Normal (2 - Piece)		3EA	3EA	3EA	3EA
Freeze Star Rating		4Star	4Star	4Star	4Star
Power Freeze Function		Yes	Yes	Yes	Yes
Cool Select Plus		Yes	Yes	Yes	Yes
<b>Others</b>					
Door Reversible		Yes	Yes	Yes	Yes
Door Alarm		Yes	Yes	Yes	Yes
Cabinet Fit		Yes	Yes	Yes	Yes
Pair Installation		No	No	No	No
Innerview Camera		No	No	No	No



# Models

## Refrigerator

Kitchen Fit™ Fridge Freezers



Model Code		RB33R8899SR
Energy		A+++
<b>Capacity</b>		
Total (L)		329L
Refrigerator (L)		217L
Freezer (L)		107L
<b>Physical Specifications</b>		
Net Width		595mm
Net Case Height with Hinge		1927mm
Net Case Height without Hinge		1927mm
Net Depth with Door Handle (Recess)		590mm
Net Depth without Door Handle (Recess)		590mm
Net Depth without Door		535mm
<b>Cooling Features</b>		
No Frost		Yes
Multi Flow		Twin Cooling Plus™
<b>Exterior Features</b>		
Dispenser		-
Display & Control (Ice Blue)		External
Handle		Recess
Handle Lighting		Lighting
Color		SR
<b>Fridge Features</b>		
Drawer (Gray Resin)	Chef Zone (Rail + Tray + 1Piece Box + Metal Plate)	Yes
	Fresh Zone	-
Number of Shelf (Inc. Box Cover)	Veg Box	1EA
	Hot Stamping (Without Trim)	Yes
	White Trim	-
	Bottom Box Cover	1EA
Door Guard	Hot Stamping	2EA
	Slide & Foldable	-
	Bottle Rack (STS)	Yes
	Chef Pan (STS) + Cover	Yes
	Dairy Guard	1EA
	Guard Variety	4EA
	Bottle Guard	1EA
Duct Metal Plate (Twin & Metal Cooling -Inlet)	Hot Stamping	Yes
	Water Tank	-
	Egg Container	1EA x 10
Power Cool		Yes
LED Lighting		Top LED
<b>Freezer Features</b>		
Ice Maker		Tray + Ice Cube
Number of Shelf (Glass Only)		1EA
Normal (2 - Piece)		3EA
Freeze Star Rating		4Star
Power Freeze Function		Yes
Cool Select Plus		Yes
<b>Others</b>		
Door Reversible		Yes
Door Alarm		Yes
Cabinet Fit		Yes
Pair Installation		No
Innerview Camera		No

# Models

## Refrigerator

Kitchen Fit™ Fridge Freezers



Model Code		RB36R8717S9	RL36R8739S9	RB36R8737S9	RL36R8739B1
Energy		A <sup>++</sup>	A <sup>+++</sup>	A <sup>++</sup>	A <sup>+++</sup>
<b>Capacity</b>					
Total (L)		353L	353L	353L	353L
Refrigerator (L)		241L	241L	241L	241L
Freezer (L)		107L	107L	107L	107L
<b>Physical Specifications</b>					
Net Width		595mm	595mm	595mm	595mm
Net Case Height with Hinge		2016mm	2016mm	2016mm	2016mm
Net Case Height without Hinge		2016mm	2016mm	2016mm	2016mm
Net Depth with Door Handle (Recess)		590mm	590mm	590mm	590mm
Net Depth without Door Handle (Recess)		590mm	590mm	590mm	590mm
Net Depth without Door		535mm	535mm	535mm	535mm
<b>Cooling Features</b>					
No Frost		Yes	Yes	Yes	Yes
Multi Flow		Twin Cooling Plus™	Twin Cooling Plus™	Twin Cooling Plus™	Twin Cooling Plus™
<b>Exterior Features</b>					
Dispenser		-	-	-	-
Display & Control (Ice Blue)		Internal	Internal	Internal	Internal
Handle		Recess	Recess	Recess	Recess
Handle Lighting		Lighting	Lighting	Lighting	Lighting
Color		S9	S9	S9	B1
<b>Fridge Features</b>					
Drawer (Gray Resin)	Chef Zone (Rail + Tray + 1Piece Box + Metal Plate)	-	-	-	-
	Fresh Zone	1EA	1EA	1EA	1EA
	Veg Box	1EA	1EA	1EA	1EA
	Hot Stamping (Without Trim)	Yes	Yes	Yes	Yes
	White Trim	-	-	-	-
Number of Shelf	Bottom Box Cover	1EA	1EA	1EA	1EA
(Inc. Box Cover)	Hot Stamping	2EA	2EA	2EA	2EA
	Slide & Foldable	-	-	-	-
	Bottle Rack (STS)	-	Yes	Yes	Yes
	Chef Pan (STS) + Cover	-	-	-	-
Door Guard	Dairy Guard	1EA	1EA	1EA	1EA
	Guard Variety	4EA	4EA	4EA	4EA
	Bottle Guard	1EA	1EA	1EA	1EA
	Hot Stamping	Yes	Yes	Yes	Yes
	Water Tank	-	-	-	-
	Egg Container	1EA x 10	1EA x 10	1EA x 10	1EA x 10
Duct Metal Plate (Twin & Metal Cooling -Inlet)		-	Yes	Yes	Yes
Power Cool		Yes	Yes	Yes	Yes
LED Lighting		Top LED	Top LED	Top LED	Top LED
<b>Freezer Features</b>					
Ice Maker		Tray + Ice Cube	Tray + Ice Cube	Tray + Ice Cube	Tray + Ice Cube
Number of Shelf (Glass Only)		1EA	1EA	1EA	1EA
Normal (2 - Piece)		3EA	3EA	3EA	3EA
Freeze Star Rating		4Star	4Star	4Star	4Star
Power Freeze Function		Yes	Yes	Yes	Yes
Cool Select Plus		Yes	Yes	Yes	Yes
<b>Others</b>					
Door Reversible		Yes	Yes	Yes	Yes
Door Alarm		Yes	Yes	Yes	Yes
Cabinet Fit		Yes	Yes	Yes	Yes
Pair Installation		No	No	No	No
Innerview Camera		No	No	No	No

# Models

## Refrigerator

Kitchen Fit™ Fridge Freezers



Model Code	RB36R8799SR	RB36R8817SR	RB36R8839SR	RB36R8837S9
Energy	A+++	A++	A+++	A++
<b>Capacity</b>				
Total (L)	353L	353L	353L	353L
Refrigerator (L)	241L	241L	241L	241L
Freezer (L)	107L	107L	107L	107L
<b>Physical Specifications</b>				
Net Width	595mm	595mm	595mm	595mm
Net Case Height with Hinge	2016mm	2016mm	2016mm	2016mm
Net Case Height without Hinge	2016mm	2016mm	2016mm	2016mm
Net Depth with Door Handle (Recess)	590mm	590mm	590mm	590mm
Net Depth without Door Handle (Recess)	590mm	590mm	590mm	590mm
Net Depth without Door	535mm	535mm	535mm	535mm
<b>Cooling Features</b>				
No Frost	Yes	Yes	Yes	Yes
Multi Flow	Twin Cooling Plus™	Twin Cooling Plus™	Twin Cooling Plus™	Twin Cooling Plus™
<b>Exterior Features</b>				
Dispenser	-	-	-	-
Display & Control (Ice Blue)	Internal	External	External	External
Handle	Recess	Recess	Recess	Recess
Handle Lighting	Lighting	Lighting	Lighting	Lighting
Color	SR	SR	SR	S9
<b>Fridge Features</b>				
Drawer (Gray Resin)	Chef Zone (Rail + Tray + 1Piece Box + Metal Plate)	Yes	-	-
	Fresh Zone	-	1EA	1EA
	Veg Box	1EA	1EA	1EA
	Hot Stamping (Without Trim)	Yes	Yes	Yes
	White Trim	-	-	-
Number of Shelf (Inc. BoxCover)	Bottom Box Cover	1EA	1EA	1EA
	Hot Stamping	2EA	2EA	2EA
	Slide & Foldable	-	-	-
	Bottle Rack (STS)	Yes	-	Yes
	Chef Pan (STS) + Cover	Yes	-	-
Door Guard	Dairy Guard	1EA	1EA	1EA
	Guard Variety	4EA	4EA	4EA
	Bottle Guard	1EA	1EA	1EA
	Hot Stamping	Yes	Yes	Yes
	Water Tank	-	-	-
	Egg Container	1EA x 10	1EA x 10	1EA x 10
Duct Metal Plate (Twin & Metal Cooling -Inlet)		Yes	-	Yes
Power Cool		Yes	Yes	Yes
LED Lighting		Top LED	Top LED	Top LED
<b>Freezer Features</b>				
Ice Maker	Tray + Ice Cube	Tray + Ice Cube	Tray + Ice Cube	Tray + Ice Cube
Number of Shelf (Glass Only)	1EA	1EA	1EA	1EA
Normal (2 - Piece)	3EA	3EA	3EA	3EA
Freeze Star Rating	4Star	4Star	4Star	4Star
Power Freeze Function	Yes	Yes	Yes	Yes
Cool Select Plus	Yes	Yes	Yes	Yes
<b>Others</b>				
Door Reversible	Yes	Yes	Yes	Yes
Door Alarm	Yes	Yes	Yes	Yes
Cabinet Fit	Yes	Yes	Yes	Yes
Pair Installation	No	No	No	No
Innerview Camera	No	No	No	No

# Models

## Refrigerator

Kitchen Fit™ Fridge Freezers



Model Code		RB36R8899SR	RB36R8899B1
Energy		A+++	A+++
<b>Capacity</b>			
Total (L)		353L	353L
Refrigerator (L)		241L	241L
Freezer (L)		107L	107L
<b>Physical Specifications</b>			
Net Width		595mm	595mm
Net Case Height with Hinge		2016mm	2016mm
Net Case Height without Hinge		2016mm	2016mm
Net Depth with Door Handle (Recess)		590mm	590mm
Net Depth without Door Handle (Recess)		590mm	590mm
Net Depth without Door		535mm	535mm
<b>Cooling Features</b>			
No Frost		Yes	Yes
Multi Flow		Twin Cooling Plus™	Twin Cooling Plus™
<b>Exterior Features</b>			
Dispenser		-	-
Display & Control (Ice Blue)		External	External
Handle		Recess	Recess
Handle Lighting		Lighting	Lighting
Color		SR	B1
<b>Fridge Features</b>			
Drawer (Gray Resin)	Chef Zone (Rail + Tray + 1Piece Box + Metal Plate)	Yes	Yes
	Fresh Zone	-	-
	Veg Box	1EA	1EA
	Hot Stamping (Without Trim)	Yes	Yes
	White Trim	-	-
Number of Shelf (Inc. Box Cover)	Bottom Box Cover	1EA	1EA
	Hot Stamping	2EA	2EA
	Slide & Foldable	-	-
	Bottle Rack (STS)	Yes	Yes
	Chef Pan (STS) + Cover	Yes	Yes
Door Guard	Dairy Guard	1EA	1EA
	Guard Variety	4EA	4EA
	Bottle Guard	1EA	1EA
	Hot Stamping	Yes	Yes
	Water Tank	-	-
	Egg Container	1EA x10	1EA x10
Duct Metal Plate (Twin & Metal Cooling -Inlet)		Yes	Yes
Power Cool		Yes	Yes
LED Lighting		Top LED	Top LED
<b>Freezer Features</b>			
Ice Maker		Tray + Ice Cube	Tray + Ice Cube
Number of Shelf (Glass Only)		1EA	1EA
Normal (2 - Piece)		3EA	3EA
Freeze Star Rating		4Star	4Star
Power Freeze Function		Yes	Yes
Cool Select Plus		Yes	Yes
<b>Others</b>			
Door Reversible		Yes	Yes
Door Alarm		Yes	Yes
Cabinet Fit		Yes	Yes
Pair Installation		No	No
Innerview Camera		No	No

# Models

## Dual Cook Flex™



Model Code		NV75N7678RS	NV75N7677RS	NV75N7647RS	NV75N7646RS
Project Name		NV7000N	NV7000N	NV7000N	NV7000N
<b>Oven Features</b>					
Energy Class	Single Mode	A+	A+	A+	A+
	Twin Mode (Upper / Lower)	A / A	A / A	A / A	-
Cavity Wall		Flat / Side Racks	Flat / Side Racks	Flat / Side Racks	Flat
Oven Colors		Stainless Steel	Stainless Steel	Stainless Steel	Stainless Steel / Black Glass
Door	Glass	Quadruple	Quadruple	Double	Double
	Opening	Drop Down	Drop Down	Drop Down	Drop Down (Flexible Door)
	Soft Close Door	No	No	No	No
Interior Lamp (Watts)		25W / 40W (Halogen)	25W / 40W (Halogen)	25W / 40W (Halogen)	25W / 40W (Halogen)
Interior Lights (Position)		Top / Side	Top / Side	Top / Side	Top / Side
Control	Control Panel Height	85mm	85mm	85mm	85mm
	Display	LED / Ice Blue	LED / Ice Blue	LED / Ice Blue	LED / Ice Blue
	Control Method	Pop-up Dial (with Touch Buttons)	Pop-up Dial (with Touch Buttons)	Pop-up Dial (with Touch Buttons)	Full Touch (Guide Lightng)
Cleaning Method	Wi-Fi	Yes	Yes	Yes	No
	Pyrolytic	Pyrolytic	Pyrolytic	No	No
	Catalytic	No	No	Yes (Back Wall)	Catalytic (1D)
	Steam	Steam Cleaning	Steam Cleaning	Steam Cleaning	Steam Cleaning
Grill Heater		Fixed	Fixed	Swing	Swing
<b>Electric Features</b>					
Temp Ranges	Single Convection	30~275°C	30~275°C	30~275°C	30~275°C
	Single Grill	100~300°C	100~300°C	100~300°C	100~300°C
	Upper or Lower	40~250°C	40~250°C	40~250°C	40~250°C
	Twin	40~250°C	40~250°C	40~250°C	40~250°C
Upper Grill (Small / Large)		1600W / 1100W	1600W / 1100W	1600W / 1100W	1600W / 1100W
Bottom Heater		1100W	1100W	1100W	1100W
Convection (Upper / Lower)		1200W / 1200W	1200W / 1200W	1200W / 1200W	1200W / 1200W
Input Power		3650~3950W	3650~3950W	3650~3950W	3650~3950W
Over Voltage Protection		Yes	Yes	Yes	Yes
<b>Cooking Modes</b>					
Single Mode	<b>Oven Modes</b>				
	Conventional	30~275°C	30~275°C	30~275°C	30~275°C
	Convection	30~275°C	30~275°C	30~275°C	30~275°C
	Eco Convection	30~275°C	30~275°C	30~275°C	30~275°C
	Large Grill	100~300°C	100~300°C	100~300°C	100~300°C
	Eco Grill	100~300°C	100~300°C	100~300°C	100~300°C
	Fan Grill	No	No	No	No
	Bottom Heat + Convection	40~275°C	40~275°C	40~275°C	40~275°C
	Top Heat + Convection	40~275°C	40~275°C	40~275°C	40~275°C
	Bottom Heat	100~230°C	100~230°C	100~230°C	100~230°C
	Intensive Cook	No	No	No	No
	Pro-roasting	80~200°C	80~200°C	80~200°C	80~200°C
	<b>Special Function</b>				
	Fast Preheat	Yes	Yes	Yes	Yes
	Keep Warm	40~100°C	40~100°C	40~100°C	40~100°C
	Plate Warm	30~80°C	30~80°C	30~80°C	30~80°C
	Defrost	No	No	No	No
Prove Dough	No	No	No	No	
Slow Cook	No	No	No	No	
Drying	No	No	No	No	
Auto Cook	40EA (Twin Mode 10EA)	40EA (Twin Mode 10EA)	40EA (Twin Mode 10EA)	40EA (Twin Mode 10EA)	
Favorite (= Memory Cook)	No	No	No	No	
Upper Mode	Convection	40~250°C	40~250°C	40~250°C	40~250°C
	Top Heat + Convection	40~250°C	40~250°C	40~250°C	40~250°C
	Large Grill	40~250°C	40~250°C	40~250°C	40~250°C
	Eco Convection	40~250°C	40~250°C	40~250°C	40~250°C
Lower Mode	Convection	40~250°C	40~250°C	40~250°C	40~250°C
	Bottom Heat	40~250°C	40~250°C	40~250°C	40~250°C
	Bottom Heat + Convection	40~250°C	40~250°C	40~250°C	40~250°C
	Eco Convection	40~250°C	40~250°C	40~250°C	40~250°C
Twin Mode	(Upper) Mode x (Lower) Mode	3Mode x 3Mode = 9EA	3Mode x 3Mode = 9EA	3Mode x 3Mode = 9EA	3Mode x 3Mode = 9EA
<b>Control Features</b>					
Clock		Yes	Yes	Yes	Yes
Child Safety Lock		Yes	Yes	Yes	Yes
Count Timer		Yes	Yes	Yes	Yes
Cook Time		Yes	Yes	Yes	Yes
End Time		Yes	Yes	Yes	Yes
Sound		Yes	Yes	Yes	Yes
<b>Equipment Supplied</b>					
Accessory	Telescopic	1Level	1Level	1Level	1Level
	Tray	Universal Tray 2EA	Universal Tray 2EA	Universal Tray 2EA	Universal Tray 2EA
	Rack	Wire Rack 1EA	Wire Rack 1EA	Wire Rack 1EA	Wire Rack 1EA
	BBQ Spit	Yes	Yes	No	No
	Meat Probe	Yes	No	No	No
	Cookbook (CD)	Yes	Yes	Yes	Yes
<b>Application Dimensions</b>					
Dimension (W x H x D)	Outside	595 x 595 x 570	595 x 595 x 570	595 x 595 x 570	595 x 595 x 570
	Cutout	560 x 572 x 549	560 x 572 x 549	560 x 572 x 549	560 x 572 x 549
Capacity	Net Volume	75L	75L	75L	75L
	Net Volume (Upper or Lower)	34 / 32L	34 / 32L	34 / 32L	34 / 32L

# Models

## Dual Cook Flex™



Model Code		NV75N7646RB	NV75N5671RS	NV75N5671RM	NV75N5671RB
Project Name		NV7000N	NV7000N	NV7000N	NV7000N
<b>Oven Features</b>					
Energy Class	Single Mode	A+	A+	A+	A+
	Twin Mode (Upper / Lower)	-	A / A	A / A	A / A
Cavity Wall		Flat	Flat / Side Racks	Flat / Side Racks	Flat
Oven Colors		Stainless Steel / Black Glass	Stainless Steel	Black Stainless Steel (Matt)	Black Stainless Steel (Matt) / Stainless Steel / Black Glass
Door	Glass	Double	Quadruple	Quadruple	Quadruple
	Opening	Drop Down (Flexible Door)	Drop Down	Drop Down	Drop Down (Flexible Door)
	Soft Close Door	No	No	No	No
Interior Lamp (Watts)		25W / 40W (Halogen)	25W / 40W (Halogen)	25W / 40W (Halogen)	25W / 40W (Halogen)
Interior Lights (Position)		Top / Side	Top / Side	Top / Side	Top / Side
Control	Control Panel Height	85mm	85mm	85mm	85mm
	Display	LED / Ice Blue	LED / Ice Blue	LED / Ice Blue	LED / Ice Blue
	Control Method	Full Touch (Guide Lightng)	Pop-up Dial (with Touch Buttons)	Pop-up Dial (with Touch Buttons)	Pop-up Dial (with Touch Buttons)
	Wi-Fi	No	No	No	No
Cleaning Method	Pyrolytic	No	Pyrolytic	Pyrolytic	Pyrolytic
	Catalytic	Catalytic (1D)	No	No	No
	Steam	Steam Cleaning	Steam Cleaning	Steam Cleaning	Steam Cleaning
	Grill Heater	Swing	Fixed	Fixed	Fixed
<b>Electric Features</b>					
Temp Ranges	Single Convection	30~275°C	30~250°C	30~250°C	30~250°C
	Single Grill	100~300°C	100~270°C	100~270°C	100~270°C
	Upper or Lower	40~250°C	40~250°C	40~250°C	40~250°C
	Twin	40~250°C	40~250°C	40~250°C	40~250°C
Upper Grill (Small / Large)		1600W / 1100W	1600W / 1100W	1600W / 1100W	1600W / 1100W
Bottom Heater		1100W	1100W	1100W	1100W
Convection (Upper / Lower)		1200W / 1200W	1200W / 1200W	1200W / 1200W	1200W / 1200W
Input Power		3650~3950W	3650~3950W	3650~3950W	3650~3950W
Over Voltage Protection		Yes	Yes	Yes	Yes
<b>Cooking Modes</b>					
Single Mode	<b>Oven Modes</b>				
	Conventional	30~275°C	30~250°C	30~250°C	30~250°C
	Convection	30~275°C	30~250°C	30~250°C	30~250°C
	Eco Convection	30~275°C	30~250°C	30~250°C	30~250°C
	Large Grill	100~300°C	100~270°C	100~270°C	100~270°C
	Eco Grill	100~300°C	100~270°C	100~270°C	100~270°C
	Fan Grill	No	No	No	No
	Bottom Heat + Convection	40~275°C	40~250°C	40~250°C	40~250°C
	Top Heat + Convection	40~275°C	40~250°C	40~250°C	40~250°C
	Bottom Heat	100~230°C	100~230°C	100~230°C	100~230°C
	Intensive Cook	No	No	No	No
	Pro-roasting	80~200°C	80~200°C	80~200°C	80~200°C
	<b>Special Function</b>				
	Fast Preheat	Yes	Yes	Yes	Yes
	Keep Warm	40~100°C	40~100°C	40~100°C	40~100°C
	Plate Warm	30~80°C	30~80°C	30~80°C	30~80°C
	Defrost	No	No	No	No
	Prove Dough	No	No	No	No
	Slow Cook	No	No	No	No
	Drying	No	No	No	No
	Auto Cook	40EA (Twin Mode 10EA)	40EA (Twin Mode 10EA)	40EA (Twin Mode 10EA)	40EA (Twin Mode 10EA)
	Favorite (= Memory Cook)	No	No	No	No
Upper Mode	Convection	40~250°C	40~250°C	40~250°C	40~250°C
	Top Heat + Convection	40~250°C	40~250°C	40~250°C	40~250°C
	Large Grill	40~250°C	200~250°C	200~250°C	200~250°C
	Eco Convection	40~250°C	40~250°C	40~250°C	40~250°C
Lower Mode	Convection	40~250°C	40~250°C	40~250°C	40~250°C
	Bottom Heat	40~250°C	100~230°C	100~230°C	100~230°C
	Bottom Heat + Convection	40~250°C	40~250°C	40~250°C	40~250°C
	Eco Convection	40~250°C	40~250°C	40~250°C	40~250°C
Twin Mode	(Upper) Mode x (Lower) Mode	3Mode x 3Mode = 9EA	3Mode x 3Mode = 9EA	3Mode x 3Mode = 9EA	3Mode x 3Mode = 9EA
<b>Control Features</b>					
	Clock	Yes	Yes	Yes	Yes
	Child Safety Lock	Yes	Yes	Yes	Yes
	Count Timer	Yes	Yes	Yes	Yes
	Cook Time	Yes	Yes	Yes	Yes
	End Time	Yes	Yes	Yes	Yes
	Sound	Yes	Yes	Yes	Yes
<b>Equipment Supplied</b>					
Accessory	Telescopic	1Level	1Level	1Level	1Level
	Tray	Universal Tray 2EA	Universal Tray 1EA	Universal Tray 1EA	Universal Tray 1EA
	Rack	Wire Rack 1EA	Wire Rack 1EA, Wire Inlay 1EA	Wire Rack 1EA, Wire Inlay 1EA	Wire Rack 1EA, Wire Inlay 1EA
	BBQ Spit	No	No	No	No
	Meat Probe	No	No	No	No
	Cookbook (CD)	Yes	Yes	Yes	Yes
<b>Application Dimensions</b>					
Dimension (W x H x D)	Outside	595 x 595 x 570	595 x 595 x 570	595 x 595 x 570	595 x 595 x 570
	Cutout	560 x 572 x 549	560 x 572 x 549	560 x 572 x 549	560 x 572 x 549
Capacity	Net Volume	75L	75L	75L	75L
	Net Volume (Upper or Lower)	34 / 32L	34 / 32L	34 / 32L	34 / 32L

# Models

## Dual Cook Flex™



Model Code		NV75N5671BS	NV75N5641RS	NV75N5641RB	NV75N5641BS	
Project Name		NV7000N	NV7000N	NV7000N	NV7000N	
<b>Oven Features</b>						
Energy Class	Single Mode	A+	A+	A+	A+	
	Twin Mode (Upper / Lower)	A / A	A / A	A / A	A / A	
Cavity Wall		Flat / Side Racks	Flat / Side Racks	Flat / Side Racks	Flat / Side Racks	
Oven Colors		Stainless Steel	Stainless Steel	Black Glass	Stainless Steel	
Door	Glass	Quadruple	Double	Double	Double	
	Opening	Drop Down	Drop Down	Drop Down	Drop Down	
	Soft Close Door	No	No	No	No	
Interior Lamp (Watts)		25W / 40W (Halogen)	25W / 40W (Halogen)	25W / 40W (Halogen)	25W / 40W (Halogen)	
Interior Lights (Position)		Top / Side	Top / Side	Top / Side	Top / Side	
Control	Control Panel Height	85mm	85mm	85mm	85mm	
	Display	LED / Ice Blue	LED / Ice Blue	LED / Ice Blue	LED / Ice Blue	
	Control Method	Pop-up Dial (with Touch Buttons)	Pop-up Dial (with Touch Buttons)	Pop-up Dial (with Touch Buttons)	Pop-up Dial (with Touch Buttons)	
Cleaning Method	Wi-Fi	No	No	No	No	
	Pyrolytic	Pyrolytic	No	No	No	
	Catalytic	No	Yes (Back Wall)	Yes (Back Wall)	Yes (Back Wall)	
	Steam	Steam Cleaning	Steam Cleaning	Steam Cleaning	Steam Cleaning	
Grill Heater		Fixed	Swing	Swing	Swing	
<b>Electric Features</b>						
Temp Ranges	Single Convection	30~250°C	30~250°C	30~250°C	30~250°C	
	Single Grill	100~270°C	100~270°C	100~270°C	100~270°C	
Upper or Lower	Upper	40~250°C	40~250°C	40~250°C	40~250°C	
	Lower	40~250°C	40~250°C	40~250°C	40~250°C	
Upper Grill (Small / Large)		1600W / 1100W	1600W / 1100W	1600W / 1100W	1600W / 1100W	
Bottom Heater		1100W	1100W	1100W	1100W	
Convection (Upper / Lower)		1200W / 1200W	1200W / 1200W	1200W / 1200W	1200W / 1200W	
Input Power		3650~3950W	3650~3950W	3650~3950W	3650~3950W	
Over Voltage Protection		Yes	Yes	Yes	Yes	
<b>Cooking Modes</b>						
Single Mode	<b>Oven Modes</b>					
	Conventional	30~250°C	30~250°C	30~250°C	30~250°C	
Upper Mode	Convection	30~250°C	30~250°C	30~250°C	30~250°C	
	Eco Convection	30~250°C	30~250°C	30~250°C	30~250°C	
	Large Grill	100~270°C	100~270°C	100~270°C	100~270°C	
	Eco Grill	100~270°C	100~270°C	100~270°C	100~270°C	
	Fan Grill	No	No	No	No	
	Bottom Heat + Convection	40~250°C	40~250°C	40~250°C	40~250°C	
	Top Heat + Convection	40~250°C	40~250°C	40~250°C	40~250°C	
	Bottom Heat	100~230°C	100~230°C	100~230°C	100~230°C	
	Intensive Cook	No	No	No	No	
	Pro-roasting	80~200°C	80~200°C	80~200°C	80~200°C	
	<b>Special Function</b>					
	Fast Preheat	Yes	Yes	Yes	Yes	
	Keep Warm	40~100°C	40~100°C	40~100°C	40~100°C	
	Plate Warm	30~80°C	30~80°C	30~80°C	30~80°C	
Defrost	No	No	No	No		
Prove Dough	No	No	No	No		
Slow Cook	No	No	No	No		
Drying	No	No	No	No		
Auto Cook	40EA (Twin Mode 10EA)	40EA (Twin Mode 10EA)	40EA (Twin Mode 10EA)	40EA (Twin Mode 10EA)		
Favorite (= Memory Cook)	No	No	No	No		
Lower Mode	Convection	40~250°C	40~250°C	40~250°C	40~250°C	
	Top Heat + Convection	40~250°C	40~250°C	40~250°C	40~250°C	
	Large Grill	200~250°C	200~250°C	200~250°C	200~250°C	
	Eco Convection	40~250°C	40~250°C	40~250°C	40~250°C	
Twin Mode	Convection	40~250°C	40~250°C	40~250°C	40~250°C	
	Bottom Heat	100~230°C	100~230°C	100~230°C	100~230°C	
	Bottom Heat + Convection	40~250°C	40~250°C	40~250°C	40~250°C	
	Eco Convection	40~250°C	40~250°C	40~250°C	40~250°C	
(Upper) Mode x (Lower) Mode		3Mode x 3Mode = 9EA	3Mode x 3Mode = 9EA	3Mode x 3Mode = 9EA	3Mode x 3Mode = 9EA	
<b>Control Features</b>						
Clock		Yes	Yes	Yes	Yes	
Child Safety Lock		Yes	Yes	Yes	Yes	
Count Timer		Yes	Yes	Yes	Yes	
Cook Time		Yes	Yes	Yes	Yes	
End Time		Yes	Yes	Yes	Yes	
Sound		Yes	Yes	Yes	Yes	
<b>Equipment Supplied</b>						
Accessory	Telescopic	No	1Level	1Level	No	
	Tray	Universal Tray 1EA	Universal Tray 1EA	Universal Tray 1EA	Universal Tray 1EA	
	Rack	Wire Rack 1EA, Wire Inlay 1EA	Wire Rack 1EA, Wire Inlay 1EA	Wire Rack 1EA, Wire Inlay 1EA	Wire Rack 1EA, Wire Inlay 1EA	
	BBQ Spit	No	No	No	No	
	Meat Probe	No	No	No	No	
	Cookbook (CD)	Yes	Yes	Yes	Yes	
<b>Application Dimensions</b>						
Dimension (W x H x D)	Outside	595 x 595 x 570	595 x 595 x 570	595 x 595 x 570	595 x 595 x 570	
	Cutout	560 x 572 x 549	560 x 572 x 549	560 x 572 x 549	560 x 572 x 549	
Capacity	Net Volume	75L	75L	75L	75L	
	Net Volume (Upper or Lower)	34 / 32L	34 / 32L	34 / 32L	34 / 32L	

# Models

## Gourmet Vapour



Model Code		NV73J9770RS	NV73N9770RM	NV73J7740RS
Project Name		NV9900J	NV9900J	NV9900J
<b>Oven Features</b>				
Energy Class		A+	A+	A+
Cavity Wall		Flat / Side Racks	Flat	Flat / Side Racks
Oven Colors		Stainless Steel	Stainless Steel	Stainless Steel
Door	Door	Quadruple	Quadruple	Triple
	Opening	Drop Down	Drop Down	Drop Down
	Soft Close Door	Soft Close	Soft Close	Soft Close
Interior Lamp (Watts)		40W (Halogen)	25W (Halogen)	40W (Halogen)
Interior Lights (Position)		Top	Top	Top
Control	Control Panel Height	85mm	85mm	85mm
	Display	4.6" Touch LCD	4.6" Touch LCD	LED / Ice Blue
	Control Method	Touch LCD	Touch LCD	Full Touch
Cleaning Method	Wi-Fi	Yes	Yes	No
	Pyrolytic	Pyrolytic	Pyrolytic	No
	Catalytic	No	No	Yes (Back Wall)
	Steam	Steam Cleaning	Steam Cleaning	Steam Cleaning
Grill Heater		Fixed	Fixed	Swing
<b>Electric Features</b>				
Temp Ranges	Single Convection	30~275°C	30~275°C	30~275°C
	Single Grill	100~300°C	100~300°C	100~300°C
	Upper or Lower	No	No	No
	Twin	No	No	No
Upper Grill (Small / Large)		1600W / 1100W	1600W / 1100W	1600W / 1100W
Bottom Heater		1100W	1100W	1100W
Convection (Upper / Lower)		1800W	1800W	1800W
Input Power		3500~3850W	3500~3850W	3500~3850W
Over Voltage Protection		Yes	Yes	Yes
<b>Cooking Modes</b>				
Single Mode		<b>Oven Modes</b>		
		Conventional	30~275°C	30~275°C
		Convection	30~275°C	30~275°C
		Eco Convection	30~275°C	30~275°C
		Large Grill	100~300°C	100~300°C
		Eco Grill	100~300°C	100~300°C
		Fan Grill	100~275°C	No
		Bottom Heat + Convection	40~275°C	40~275°C
		Top Heat + Convection	40~275°C	40~275°C
		Bottom Heat	100~230°C	No
		Intensive Cook	40~275°C	No
		Pro-roasting	80~200°C	80~200°C
		<b>Special Function</b>		
		Vapour + Convection	120~275°C	120~275°C
		Vapour Top Heat + Convection	120~275°C	120~275°C
		Vapour Bottom Heat + Convection	120~275°C	120~275°C
		Steam Cook	No	No
		Steam Assist	No	No
		Keep Warm	40~100°C	40~100°C
		Plate Warm	30~80°C	30~80°C
		Defrost	No	No
		Prove Dough	No	No
		Slow Cook	70~120°C	No
		Drying	40~90°C	No
		Auto Cook	80EA	80EA
		Favorite (=Memory Cook)	10EA	10EA
Upper Mode	Convection	No	No	No
	Top Heat + Convection	No	No	No
	Large Grill	No	No	No
Lower Mode	Convection	No	No	No
	Bottom Heat	No	No	No
	Bottom Heat + Convection	No	No	No
		Steam Cook	No	No
		Steam Assist	No	No
Twin Mode		(Upper) Mode x (Lower) Mode	No	No
<b>Control Features</b>				
		Clock	Yes	Yes
		Child Safety Lock	Yes	Yes
		Count Timer	Yes	Yes
		Cook Time	Yes	Yes
		End Time	Yes	Yes
		Language Option	11EA	No
		Sound	Yes	Yes
<b>Equipment Supplied</b>				
Accessory	Telescopic Tray	1Level	1Level	1Level
		Universal Tray 1EA, Extra Deep Tray 1EA	Universal Tray 1EA, Extra Deep Tray 1EA	Universal Tray 1EA, Extra Deep Tray 1EA
		Rack	Wire Rack 1EA, Wire Inlay1EA	Wire Rack 1EA, Wire Inlay1EA
		BBQ Spit	No	No
		Meat Probe	Meat Probe	Meat Probe
		Cookbook (CD)	Yes	Yes
<b>Application Dimensions</b>				
Dimension (W x H x D)	Outside	595 x 595 x 566	595 x 595 x 570	595 x 595 x 566
	Cutout	560 x 572 x 545	560 x 572 x 549	560 x 572 x 545
Capacity	Net Volume	73L	73L	73L
	Net Volume (Upper or Lower)	No	No	No



# Models Steam Twin™



Model Code		BQ1VD6T131
Project Name		Jupiter
<b>Oven Features</b>		
Energy Class		A
Cavity Wall		Flat / Side Racks
Oven Colors		Stainless Steel
Door	Glass	Triple
	Opening	Drop Down
	Soft Close Door	No
Interior Lamp (Watts)		25W / 40W (Blub / Halogen)
Interior Lights (Position)		Rear / Side
Control	Control Panel Height	115mm
	Display	LED / Blue
	Control Method	Pop-up Dial
	Wi-Fi	No
Cleaning Method	Pyrolytic	No
	Catalytic	Yes (Back Wall)
	Steam	Steam Cleaning
	Grill Heater	Swing
<b>Electric Features</b>		
Temp Ranges	Single Convection	40~250°C
	Single Grill	40~270°C
	Upper or Lower	40~250°C
	Twin	170~250°C
Upper Grill (Small / Large)		1600W / 1100W
Bottom Heater		1100W
Convection (Upper / Lower)		1200W / 1200W
Input Power		3650W
Over Voltage Protection		No
<b>Cooking Modes</b>		
Single Mode	<b>Oven Modes</b>	
	Conventional	40~250°C
	Convection	40~250°C
	Eco Convection	No
	Large Grill	40~270°C
	Eco Grill	40~270°C
	Fan Grill	No
	Bottom Heat + Convection	40~250°C
	Top Heat + Convection	40~250°C
	Bottom Heat	No
	Intensive Cook	No
	Pro-roasting	No
	<b>Special Function</b>	
	Vapour + Convection	No
	Vapour Top Heat + Convection	No
	Vapour Bottom Heat + Convection	No
	Steam Cook	1 / 2 / 3
	Steam Assist	130~250°C
	Keep Warm	No
	Plate Warm	No
	Defrost	No
	Prove Dough	No
	Slow Cook	No
	Drying	No
	Auto Cook	50EA
	Favorite (=Memory Cook)	No
Upper Mode	Convection	40~250°C
	Top Heat + Convection	40~250°C
	Large Grill	40~250°C
Lower Mode	Convection	40~250°C
	Bottom Heat	No
	Bottom Heat + Convection	40~250°C
	Steam Cook	1 / 2 / 3
Twin Mode	Steam Assist	130~250°C
	(Upper) Mode x (Lower) Mode	3Mode x 3Mode = 9EA
<b>Control Features</b>		
	Clock	Yes
	Child Safety Lock	Yes
	Count Timer	Yes
	Cook Time	Yes
	End Time	Yes
	Language Option	No
	Sound	Yes
<b>Equipment Supplied</b>		
Accessory	Telescopic Tray	2Level Baking Tray 1EA, Universal Tray 1EA, Steam Container
	Rack	Wire Rack 1EA, Wire Inlay 1EA
	BBQ Spit	No
	Meat Probe	No
	Cookbook (CD)	No
<b>Application Dimensions</b>		
Dimension (W x H x D)	Outside	595 x 595 x 566
	Cutout	560 x 572 x 545
Capacity	Net Volume	68L
	Net Volume (Upper or Lower)	30 / 32L

# Models Dual Cook



Model Code		NV75M7572RS	NV75J7570RS	NV75N7546RS	NV75N7546RB
Project Name		NV9900J	NV9900J	NV7000N	NV7000N
<b>Oven Features</b>					
Energy Class		A	A	A	A
Cavity Wall		Flat / Side Racks	Flat / Side Racks	Flat	Flat
Oven Colors		Stainless Steel	Stainless Steel	Stainless Steel / Black Glass	Stainless Steel / Black Glass
Door		Quadruple	Quadruple	Triple	Triple
	Opening	Drop Down	Drop Down	Drop Down	Drop Down
	Soft Close Door	Soft Close	Soft Close	No	No
Interior Lamp (Watts)		40W / 40W (Halogen)	40W / 40W (Halogen)	25W / 40W (Halogen)	25W / 40W (Halogen)
Interior Lights (Position)		Top / Side	Top / Side	Top / Side	Top / Side
Control	Control Panel Height	85mm	85mm	85mm	85mm
	Display	LED / Ice Blue	LED / Ice Blue	LED / Ice Blue	LED / Ice Blue
	Control Method	Pop-up Dial (with Touch Buttons)	Pop-up Dial (with Touch Buttons)	Full Touch (Guide Lightng)	Full Touch (Guide Lightng)
	Wi-Fi	No	No	No	No
Cleaning Method	Pyrolytic	Pyrolytic	Pyrolytic	No	No
	Catalytic	No	No	Catalytic (1D)	Catalytic (1D)
	Steam	Steam Cleaning	Steam Cleaning	Steam Cleaning	Steam Cleaning
	Grill Heater	Fixed	Fixed	Swing	Swing
<b>Electric Features</b>					
Temp Ranges	Single Convection	30~275°C	30~275°C	30~275°C	30~275°C
	Single Grill	100~300°C	100~300°C	100~300°C	100~300°C
	Upper or Lower	40~250°C	40~250°C	40~250°C	40~250°C
	Twin	40~250°C	40~250°C	40~250°C	40~250°C
Upper Grill (Small / Large)		1600W / 1100W	1600W / 1100W	1600W / 1100W	1600W / 1100W
Bottom Heater		1100W	1100W	1100W	1100W
Convection (Upper / Lower)		1200W / 1200W	1200W / 1200W	1200W / 1200W	1200W / 1200W
Input Power		3650~3950W	3650~3950W	3650~3950W	3650~3950W
Over Voltage Protection		Yes	Yes	Yes	Yes
<b>Cooking Modes</b>					
Single Mode	<b>Oven Modes</b>				
	Conventional	30~275°C	30~275°C	30~275°C	30~275°C
	Convection	30~275°C	30~275°C	30~275°C	30~275°C
	Eco Convection	30~275°C	30~275°C	30~275°C	30~275°C
	Large Grill	100~300°C	100~300°C	100~300°C	100~300°C
	Eco Grill	100~300°C	100~300°C	100~300°C	100~300°C
	Fan Grill	No	No	No	No
	Bottom Heat + Convection	40~275°C	40~275°C	40~275°C	40~275°C
	Top Heat + Convection	40~275°C	40~275°C	40~275°C	40~275°C
	Bottom Heat	100~230°C	100~230°C	100~230°C	100~230°C
	Intensive Cook	No	No	No	No
	Pro-roasting	80~200°C	80~200°C	80~200°C	80~200°C
	<b>Special Function</b>				
	Vapour + Convection	No	No	No	No
	Vapour Top Heat + Convection	No	No	No	No
	Vapour Bottom Heat + Convection	No	No	No	No
	Steam Cook	No	No	No	No
	Steam Assist	No	No	No	No
	Keep Warm	40~100°C	40~100°C	40~100°C	40~100°C
	Plate Warm	30~80°C	30~80°C	30~80°C	30~80°C
	Defrost	No	No	No	No
	Prove Dough	No	No	No	No
	Slow Cook	No	No	No	No
	Drying	No	No	No	No
	Auto Cook	40EA (Twin Mode 10EA)	40EA (Twin Mode 10EA)	40EA (Twin Mode 10EA)	40EA (Twin Mode 10EA)
	Favorite (=Memory Cook)	No	No	No	No
Upper Mode	Convection	40~250°C	40~250°C	40~250°C	40~250°C
	Top Heat + Convection	40~250°C	40~250°C	40~250°C	40~250°C
	Large Grill	200~250°C	200~250°C	40~250°C	40~250°C
Lower Mode	Convection	40~250°C	40~250°C	40~250°C	40~250°C
	Bottom Heat	100~230°C	100~230°C	40~250°C	40~250°C
	Bottom Heat + Convection	40~250°C	40~250°C	40~250°C	40~250°C
	Steam Cook	No	No	No	No
	Steam Assist	No	No	No	No
Twin Mode	(Upper) Mode x (Lower) Mode	3Mode x 3Mode = 9EA	3Mode x 3Mode = 9EA	3Mode x 3Mode = 9EA	3Mode x 3Mode = 9EA
<b>Control Features</b>					
	Clock	Yes	Yes	Yes	Yes
	Child Safety Lock	Yes	Yes	Yes	Yes
	Count Timer	Yes	Yes	Yes	Yes
	Cook Time	Yes	Yes	Yes	Yes
	End Time	Yes	Yes	Yes	Yes
	Language Option	No	No	No	No
	Sound	Yes	Yes	Yes	Yes
<b>Equipment Supplied</b>					
Accessory	Telescopic Tray	1Level Universal Tray 2EA	1Level Universal Tray 2EA	1Level Universal Tray 2EA	1Level Universal Tray 2EA
	Rack	Wire Rack 1EA	Wire Rack 1EA	Wire Rack 1EA	Wire Rack 1EA
	BBQ Spit	Yes	Yes	No	No
	Meat Probe	Yes	No	No	No
	Cookbook (CD)	Yes	Yes	Yes	Yes
<b>Application Dimensions</b>					
Dimension (W x H x D)	Outside	595 x 595 x 566	595 x 595 x 566	595 x 595 x 570	595 x 595 x 570
	Cutout	560 x 572 x 545	560 x 572 x 545	560 x 572 x 549	560 x 572 x 549
Capacity	Net Volume	75L	75L	75L	75L
	Net Volume (Upper or Lower)	34 / 32L	34 / 32L	34 / 32L	34 / 32L

# Models

## Dual Cook



Model Code		NV75J5540RS	NV75M5572RS	NV75N5573RS	NV75K5571RS
Project Name		NV9900J VE	NV9900J VE	NV9900J VE	NV9900J VE
<b>Oven Features</b>					
Energy Class		A	A	A	A
Cavity Wall		Flat / Side Racks	Flat / Side Racks	Flat	Flat / Side Racks
Oven Colors		Stainless Steel	Stainless Steel	Stainless Steel / Black Stainless Steel	Stainless Steel
Door	Glass	Triple	Quadruple	Quadruple	Quadruple
	Opening	Drop Down	Drop Down	Drop Down	Drop Down
Soft Close Door		Soft Close	No	Soft Close	No
Interior Lamp (Watts)		40W / 40W (Halogen)	40W / 40W (Halogen)	40W / 40W (Halogen)	40W / 40W (Halogen)
Interior Lights (Position)		Top / Side	Top / Side	Top / Side	Top / Side
Control	Control Panel Height	85mm	85mm	85mm	85mm
	Display	LED / Ice Blue	LED / Ice Blue	LED / Ice Blue	LED / Ice Blue
Control Method		Pop-up Dial (with Touch Buttons)	Pop-up Dial	Pop-up Dial (with Touch)	Pop-up Dial
Cleaning Method	Wi-Fi	No	No	No	No
	Pyrolytic	No	Pyrolytic	Pyrolytic	Pyrolytic
	Catalytic	Yes (Back Wall)	No	No	No
	Steam	Steam Cleaning	Steam Cleaning	Steam Cleaning	Steam Cleaning
Grill Heater		Swing	Fixed	Fixed	Fixed
<b>Electric Features</b>					
Temp Ranges	Single Convection	30~275°C	30~250°C	30~250°C	30~250°C
	Single Grill	100~300°C	100~270°C	100~270°C	100~270°C
	Upper or Lower	40~250°C	40~250°C	40~250°C	40~250°C
	Twin	40~250°C	40~250°C	40~250°C	40~250°C
Upper Grill (Small / Large)		1600W / 1100W	1600W / 1100W	1600W / 1100W	1600W / 1100W
Bottom Heater		1100W	1100W	1100W	1100W
Convection (Upper / Lower)		1200W / 1200W	1200W / 1200W	1200W / 1200W	1200W / 1200W
Input Power		3650~3950W	3650~3950W	3650~3950W	3650~3950W
Over Voltage Protection		Yes	Yes	Yes	Yes
<b>Cooking Modes</b>					
Single Mode	<b>Oven Modes</b>				
	Conventional	30~275°C	30~250°C	30~250°C	30~250°C
	Convection	30~275°C	30~250°C	30~250°C	30~250°C
	Eco Convection	30~275°C	30~250°C	30~250°C	30~250°C
	Large Grill	100~300°C	100~270°C	100~270°C	100~270°C
	Eco Grill	100~300°C	100~270°C	100~270°C	100~270°C
	Fan Grill	No	No	No	No
	Bottom Heat + Convection	40~275°C	40~250°C	40~250°C	40~250°C
	Top Heat + Convection	40~275°C	40~250°C	40~250°C	40~250°C
	Bottom Heat	100~230°C	100~230°C	100~230°C	100~230°C
	Intensive Cook	No	No	No	No
	Pro-roasting	80~200°C	80~200°C	80~200°C	80~200°C
	<b>Special Function</b>				
	Vapour + Convection	No	No	No	No
	Vapour Top Heat + Convection	No	No	No	No
	Vapour Bottom Heat + Convection	No	No	No	No
	Steam Cook	No	No	No	No
	Steam Assist	No	No	No	No
	Keep Warm	40~100°C	40~100°C	40~100°C	40~100°C
	Plate Warm	30~80°C	30~80°C	30~80°C	30~80°C
	Defrost	No	No	No	No
	Prove Dough	No	No	No	No
	Slow Cook	No	No	No	No
	Drying	No	No	No	No
	Auto Cook	40EA (Twin Mode 10EA)	40EA (Twin Mode 10EA)	40EA (Twin Mode 10EA)	40EA (Twin Mode 10EA)
	Favorite (=Memory Cook)	No	No	No	No
Upper Mode	Convection	40~250°C	40~250°C	40~250°C	40~250°C
	Top Heat + Convection	40~250°C	40~250°C	40~250°C	40~250°C
Lower Mode	Large Grill	200~250°C	200~250°C	200~250°C	200~250°C
	Convection	40~250°C	40~250°C	40~250°C	40~250°C
	Bottom Heat	100~230°C	100~230°C	100~230°C	100~230°C
	Bottom Heat + Convection	40~250°C	40~250°C	40~250°C	40~250°C
	Steam Cook	No	No	No	No
	Steam Assist	No	No	No	No
Twin Mode	(Upper) Mode x (Lower) Mode	3Mode x 3Mode = 9EA	3Mode x 3Mode = 9EA	3Mode x 3Mode = 9EA	3Mode x 3Mode = 9EA
<b>Control Features</b>					
	Clock	Yes	Yes	Yes	Yes
	Child Safety Lock	Yes	Yes	Yes	Yes
	Count Timer	Yes	Yes	Yes	Yes
	Cook Time	Yes	Yes	Yes	Yes
	End Time	Yes	Yes	Yes	Yes
	Language Option	No	No	No	No
	Sound	Yes	Yes	Yes	Yes
<b>Equipment Supplied</b>					
Accessory	Telescopic Tray	1Level Universal Tray 2EA	1Level Universal Tray 1EA	1Level Universal Tray 1EA	1Level Universal Tray 1EA
	Rack	Wire Rack 1EA	Wire Rack 1EA, Wire Inlay 1EA	Wire Rack 1EA, Wire Inlay 1EA	Wire Rack 1EA, Wire Inlay 1EA
	BBQ Spit	No	No	No	No
	Meat Probe	No	Yes	No	No
	Cookbook (CD)	Yes	Yes	Yes	Yes
<b>Application Dimensions</b>					
Dimension (W x H x D)	Outside	595 x 595 x 566	595 x 595 x 566	595 x 595 x 570	595 x 595 x 566
	Cutout	560 x 572 x 545	560 x 572 x 545	560 x 572 x 549	560 x 572 x 545
Capacity	Net Volume	75L	75L	75L	75L
	Net Volume (Upper or Lower)	34 / 32L	35 / 32L	34 / 32L	35 / 32L

# Models Dual Cook



Model Code		NV75K5571RM	NV75K5571BS	NV75K5541RS	NV75K5541RM
Project Name		NV9900J VE	NV9900J VE	NV9900J VE	NV9900J VE
<b>Oven Features</b>					
Energy Class		A	A	A	A
Cavity Wall		Flat / Side Racks	Flat / Side Racks	Flat / Side Racks	Flat / Side Racks
Oven Colors		Black Stainless Steel	Stainless Steel	Stainless Steel	Black Stainless Steel
Door		Quadruple	Quadruple	Triple	Triple
	Opening	Drop Down	Drop Down	Drop Down	Drop Down
	Soft Close Door	No	No	No	No
Interior Lamp (Watts)		40W / 40W (Halogen)	40W / 40W (Halogen)	40W / 40W (Halogen)	40W / 40W (Halogen)
Interior Lights (Position)		Top / Side	Top / Side	Top / Side	Top / Side
Control	Control Panel Height	85mm	85mm	85mm	85mm
	Display	LED / Ice Blue	LED / Ice Blue	LED / Ice Blue	LED / Ice Blue
	Control Method	Pop-up Dial	Pop-up Dial	Pop-up Dial	Pop-up Dial
	Wi-Fi	No	No	No	No
Cleaning Method	Pyrolytic	Pyrolytic	Pyrolytic	No	No
	Catalytic	No	No	Yes (Back Wall)	Yes (Back Wall)
	Steam	Steam Cleaning	Steam Cleaning	Steam Cleaning	Steam Cleaning
	Grill Heater	Fixed	Fixed	Swing	Swing
<b>Electric Features</b>					
Temp Ranges	Single Convection	30~250°C	30~250°C	30~250°C	30~250°C
	Single Grill	100~270°C	100~270°C	100~270°C	100~270°C
	Upper or Lower	40~250°C	40~250°C	40~250°C	40~250°C
	Twin	40~250°C	40~250°C	40~250°C	40~250°C
Upper Grill (Small / Large)		1600W / 1100W	1600W / 1100W	1600W / 1100W	1600W / 1100W
Bottom Heater		1100W	1100W	1100W	1100W
Convection (Upper / Lower)		1200W / 1200W	1200W / 1200W	1200W / 1200W	1200W / 1200W
Input Power		3650~3950W	3650~3950W	3650~3950W	3650~3950W
Over Voltage Protection		Yes	Yes	Yes	Yes
<b>Cooking Modes</b>					
Single Mode	<b>Oven Modes</b>				
	Conventional	30~250°C	30~250°C	30~250°C	30~250°C
	Convection	30~250°C	30~250°C	30~250°C	30~250°C
	Eco Convection	30~250°C	30~250°C	30~250°C	30~250°C
	Large Grill	100~270°C	100~270°C	100~270°C	100~270°C
	Eco Grill	100~270°C	100~270°C	100~270°C	100~270°C
	Fan Grill	No	No	No	No
	Bottom Heat + Convection	40~250°C	40~250°C	40~250°C	40~250°C
	Top Heat + Convection	40~250°C	40~250°C	40~250°C	40~250°C
	Bottom Heat	100~230°C	100~230°C	100~230°C	100~230°C
	Intensive Cook	No	No	No	No
	Pro-roasting	80~200°C	80~200°C	80~200°C	80~200°C
	<b>Special Function</b>				
	Vapour + Convection	No	No	No	No
	Vapour Top Heat + Convection	No	No	No	No
	Vapour Bottom Heat + Convection	No	No	No	No
	Steam Cook	No	No	No	No
	Steam Assist	No	No	No	No
	Keep Warm	40~100°C	40~100°C	40~100°C	40~100°C
	Plate Warm	30~80°C	30~80°C	30~80°C	30~80°C
	Defrost	No	No	No	No
	Prove Dough	No	No	No	No
	Slow Cook	No	No	No	No
	Drying	No	No	No	No
	Auto Cook	40EA (Twin Mode 10EA)	40EA (Twin Mode 10EA)	40EA (Twin Mode 10EA)	40EA (Twin Mode 10EA)
	Favorite (=Memory Cook)	No	No	No	No
Upper Mode	Convection	40~250°C	40~250°C	40~250°C	40~250°C
	Top Heat + Convection	40~250°C	40~250°C	40~250°C	40~250°C
	Large Grill	200~250°C	200~250°C	200~250°C	200~250°C
Lower Mode	Convection	40~250°C	40~250°C	40~250°C	40~250°C
	Bottom Heat	100~230°C	100~230°C	100~230°C	100~230°C
	Bottom Heat + Convection	40~250°C	40~250°C	40~250°C	40~250°C
	Steam Cook	No	No	No	No
	Steam Assist	No	No	No	No
Twin Mode	(Upper) Mode x (Lower) Mode	3Mode x 3Mode = 9EA	3Mode x 3Mode = 9EA	3Mode x 3Mode = 9EA	3Mode x 3Mode = 9EA
<b>Control Features</b>					
	Clock	Yes	Yes	Yes	Yes
	Child Safety Lock	Yes	Yes	Yes	Yes
	Count Timer	Yes	Yes	Yes	Yes
	Cook Time	Yes	Yes	Yes	Yes
	End Time	Yes	Yes	Yes	Yes
	Language Option	No	No	No	No
	Sound	Yes	Yes	Yes	Yes
<b>Equipment Supplied</b>					
Accessory	Telescopic Tray	1Level Universal Tray 1EA	No Universal Tray 1EA	1Level Universal Tray 1EA	1Level Universal Tray 1EA
	Rack	Wire Rack 1EA, Wire Inlay 1EA	Wire Rack 1EA, Wire Inlay 1EA	Wire Rack 1EA, Wire Inlay 1EA	Wire Rack 1EA, Wire Inlay 1EA
	BBQ Spit	No	No	No	No
	Meat Probe	No	No	No	No
	Cookbook (CD)	Yes	Yes	Yes	Yes
<b>Application Dimensions</b>					
Dimension (W x H x D)	Outside	595 x 595 x 566	595 x 595 x 566	595 x 595 x 566	595 x 595 x 566
	Cutout	560 x 572 x 545	560 x 572 x 545	560 x 572 x 545	560 x 572 x 545
Capacity	Net Volume	75L	75L	75L	75L
	Net Volume (Upper or Lower)	35 / 32L	35 / 32L	35 / 32L	35 / 32L

# Models

## Dual Cook



Model Code		NV75K5541RG	NV75K5541RB	NV75K5541BS	NV70M3571RS
Project Name		NV9900J VE	NV9900J VE	NV9900J VE	NV9900J VE
<b>Oven Features</b>					
Energy Class		A	A	A	A
Cavity Wall		Flat / Side Racks	Flat / Side Racks	Flat / Side Racks	Flat / Side Racks
Oven Colors		Black Stainless Steel	Black Glass	Stainless Steel	Stainless Steel
Door	Glass	Triple	Triple	Triple	Triple
	Opening	Drop Down	Drop Down	Drop Down	Drop Down
Soft Close Door		No	No	No	No
Interior Lamp (Watts)		40W / 40W (Halogen)	40W / 40W (Halogen)	40W / 40W (Halogen)	25W / 40W (Halogen)
Interior Lights (Position)		Top / Side	Top / Side	Top / Side	Rear / Side
Control	Control Panel Height	85mm	85mm	85mm	115mm
	Display	LED / Ice Blue	LED / Ice Blue	LED / Ice Blue	LED / Ice Blue
Control Method		Pop-up Dial	Pop-up Dial	Pop-up Dial	Pop-up Dial
Cleaning Method	Wi-Fi	No	No	No	No
	Pyrolytic	No	No	No	Yes
	Catalytic	Yes (Back Wall)	Yes (Back Wall)	Yes (Back Wall)	No
	Steam	Steam Cleaning	Steam Cleaning	Steam Cleaning	Steam Cleaning
Grill Heater		Swing	Swing	Swing	Fixed
<b>Electric Features</b>					
Temp Ranges	Single Convection	30~250°C	30~250°C	30~250°C	40~250°C
	Single Grill	100~270°C	100~270°C	100~270°C	100~270°C
Upper or Lower	Upper or Lower	40~250°C	40~250°C	40~250°C	No
	Twin	40~250°C	40~250°C	40~250°C	No
Upper Grill (Small / Large)		1600W / 1100W	1600W / 1100W	1600W / 1100W	1600W / 1100W
Bottom Heater		1100W	1100W	1100W	1100W
Convection (Upper / Lower)		1200W / 1200W	1200W / 1200W	1200W / 1200W	1200W / 1200W
Input Power		3650~3950W	3650~3950W	3650~3950W	3650~3950W
Over Voltage Protection		Yes	Yes	Yes	Yes
<b>Cooking Modes</b>					
Single Mode	<b>Oven Modes</b>				
	Conventional	30~250°C	30~250°C	30~250°C	40~250°C
	Convection	30~250°C	30~250°C	30~250°C	40~250°C
	Eco Convection	30~250°C	30~250°C	30~250°C	No
	Large Grill	100~270°C	100~270°C	100~270°C	100~270°C
	Eco Grill	100~270°C	100~270°C	100~270°C	100~270°C
	Fan Grill	No	No	No	100~270°C
	Bottom Heat + Convection	40~250°C	40~250°C	40~250°C	40~250°C
	Top Heat + Convection	40~250°C	40~250°C	40~250°C	40~250°C
	Bottom Heat	100~230°C	100~230°C	100~230°C	100~230°C
	Intensive Cook	No	No	No	No
	Pro-roasting	80~200°C	80~200°C	80~200°C	80~200°C
	<b>Special Function</b>				
	Vapour + Convection	No	No	No	No
	Vapour Top Heat + Convection	No	No	No	No
	Vapour Bottom Heat + Convection	No	No	No	No
	Steam Cook	No	No	No	No
	Steam Assist	No	No	No	No
	Keep Warm	40~100°C	40~100°C	40~100°C	No
	Plate Warm	30~80°C	30~80°C	30~80°C	No
	Defrost	No	No	No	No
	Prove Dough	No	No	No	No
	Slow Cook	No	No	No	No
	Drying	No	No	No	No
	Auto Cook	40EA (Twin Mode 10EA)	40EA (Twin Mode 10EA)	40EA (Twin Mode 10EA)	25EA
	Favorite (=Memory Cook)	No	No	No	No
Upper Mode	Convection	40~250°C	40~250°C	40~250°C	40~250°C
	Top Heat + Convection	40~250°C	40~250°C	40~250°C	40~250°C
Lower Mode	Large Grill	200~250°C	200~250°C	200~250°C	200~250°C
	Convection	40~250°C	40~250°C	40~250°C	40~250°C
	Bottom Heat	100~230°C	100~230°C	100~230°C	100~230°C
	Bottom Heat + Convection	40~250°C	40~250°C	40~250°C	40~250°C
	Steam Cook	No	No	No	No
	Steam Assist	No	No	No	No
Twin Mode	(Upper) Mode x (Lower) Mode	3Mode x 3Mode = 9EA	3Mode x 3Mode = 9EA	3Mode x 3Mode = 9EA	3Mode x 3Mode = 9EA
<b>Control Features</b>					
	Clock	Yes	Yes	Yes	Yes
	Child Safety Lock	Yes	Yes	Yes	Yes
	Count Timer	Yes	Yes	Yes	Yes
	Cook Time	Yes	Yes	Yes	Yes
	End Time	Yes	Yes	Yes	Yes
	Language Option	No	No	No	No
	Sound	Yes	Yes	Yes	Yes
<b>Equipment Supplied</b>					
Accessory	Telescopic Tray	1Level Universal Tray 1EA	1Level Universal Tray 1EA	No Universal Tray 1EA	1Level Universal Tray 1EA
	Rack	Wire Rack 1EA, Wire Inlay 1EA	Wire Rack 1EA, Wire Inlay 1EA	Wire Rack 1EA, Wire Inlay 1EA	Wire Rack 1EA
	BBQ Spit	No	No	No	No
	Meat Probe	No	No	No	No
	Cookbook (CD)	Yes	Yes	Yes	No
<b>Application Dimensions</b>					
Dimension (W x H x D)	Outside	595 x 595 x 566	595 x 595 x 566	595 x 595 x 566	595 x 595 x 566
	Cutout	560 x 572 x 545	560 x 572 x 545	560 x 572 x 545	560 x 572 x 545
Capacity	Net Volume	75L	75L	75L	68L
	Net Volume (Upper or Lower)	35 / 32L	35 / 32L	35 / 32L	30 / 32L

# Models Dual Cook



Model Code		NV70M3541RS	NV70M3541RB	NV66M3571BS	NV66M3571BB
Project Name		NV9900J VE	NV9900J VE	New Metro	New Metro
<b>Oven Features</b>					
Energy Class		A	A	A	A
Cavity Wall		Flat / Side Racks	Flat / Side Racks	Forming	Forming
Oven Colors		Stainless Steel	Black	Stainless Steel	Black
Door		Triple	Triple	Triple	Triple
Opening		Drop Down	Drop Down	Drop Down	Drop Down
Soft Close Door		No	No	No	No
Interior Lamp (Watts)		25W / 40W (Halogen)	25W / 40W (Halogen)	25W (Bulb)	25W (Bulb)
Interior Lights (Position)		Rear / Side	Rear / Side	Rear	Rear
Control		Control Panel Height 115mm	Control Panel Height 115mm	Control Panel Height 115mm	Control Panel Height 115mm
Display		LED / Ice Blue	LED / Ice Blue	LED / Ice Blue	LED / Ice Blue
Control Method		Pop-up Dial	Pop-up Dial	Pop-up Dial	Pop-up Dial
Wi-Fi		No	No	No	No
Cleaning Method		Pyrolytic	No	Yes	Yes
Catalytic		Yes (Back Wall)	Yes (Back Wall)	No	No
Steam		Steam Cleaning	Steam Cleaning	Steam Cleaning	Steam Cleaning
Grill Heater		Fixed	Fixed	Fixed	Fixed
<b>Electric Features</b>					
Temp Ranges		Single Convection 40~250°C	Single Convection 40~250°C	Single Convection 40~250°C	Single Convection 40~250°C
Single Grill		100~270°C	100~270°C	100~270°C	100~270°C
Upper or Lower		No	No	No	No
Twin		No	No	No	No
Upper Grill (Small / Large)		1600W / 1100W	1600W / 1100W	1600W / 1100W	1600W / 1100W
Bottom Heater		1100W	1100W	1100W	1100W
Convection (Upper / Lower)		1200W / 1200W	1200W / 1200W	1200W / 1200W	1200W / 1200W
Input Power		3650~3950W	3650~3950W	3650~3950W	3650~3950W
Over Voltage Protection		Yes	Yes	Yes	Yes
<b>Cooking Modes</b>					
Single Mode		<b>Oven Modes</b>			
Conventional		40~250°C	40~250°C	40~250°C	40~250°C
Convection		40~250°C	40~250°C	40~250°C	40~250°C
Eco Convection		No	No	No	No
Large Grill		100~270°C	100~270°C	100~270°C	100~270°C
Eco Grill		100~270°C	100~270°C	100~270°C	100~270°C
Fan Grill		100~270°C	100~270°C	100~270°C	100~270°C
Bottom Heat + Convection		40~250°C	40~250°C	40~250°C	40~250°C
Top Heat + Convection		40~250°C	40~250°C	40~250°C	40~250°C
Bottom Heat		100~230°C	100~230°C	100~230°C	100~230°C
Intensive Cook		No	No	No	No
Pro-roasting		80~200°C	80~200°C	80~200°C	80~200°C
Special Function					
Vapour + Convection		No	No	No	No
Vapour Top Heat + Convection		No	No	No	No
Vapour Bottom Heat + Convection		No	No	No	No
Steam Cook		No	No	No	No
Steam Assist		No	No	No	No
Keep Warm		No	No	No	No
Plate Warm		No	No	No	No
Defrost		No	No	No	No
Prove Dough		No	No	No	No
Slow Cook		No	No	No	No
Drying		No	No	No	No
Auto Cook		25EA	25EA	25EA	25EA
Favorite (=Memory Cook)		No	No	No	No
Upper Mode					
Convection		40~250°C	40~250°C	40~250°C	40~250°C
Top Heat + Convection		40~250°C	40~250°C	40~250°C	40~250°C
Large Grill		200~250°C	200~250°C	200~250°C	200~250°C
Lower Mode					
Convection		40~250°C	40~250°C	40~250°C	40~250°C
Bottom Heat		100~230°C	100~230°C	100~230°C	100~230°C
Bottom Heat + Convection		40~250°C	40~250°C	40~250°C	40~250°C
Steam Cook		No	No	No	No
Steam Assist		No	No	No	No
Twin Mode					
(Upper) Mode x (Lower) Mode		3Mode x 3Mode = 9EA	3Mode x 3Mode = 9EA	3Mode x 3Mode = 9EA	3Mode x 3Mode = 9EA
<b>Control Features</b>					
Clock		Yes	Yes	Yes	Yes
Child Safety Lock		Yes	Yes	Yes	Yes
Count Timer		Yes	Yes	Yes	Yes
Cook Time		Yes	Yes	Yes	Yes
End Time		Yes	Yes	Yes	Yes
Language Option		No	No	No	No
Sound		Yes	Yes	Yes	Yes
<b>Equipment Supplied</b>					
Accessory					
Telescopic Tray		1Level Universal Tray 1EA	1Level Universal Tray 1EA	No Universal Tray 1EA	No Universal Tray 1EA
Rack		Wire Rack 1EA	Wire Rack 1EA	Wire Rack 1EA	Wire Rack 1EA
BBQ Spit		No	No	No	No
Meat Probe		No	No	No	No
Cookbook (CD)		No	No	No	No
<b>Application Dimensions</b>					
Dimension (W x H x D)					
Outside		595 x 595 x 566	595 x 595 x 566	595 x 595 x 566	595 x 595 x 566
Cutout		560 x 572 x 545	560 x 572 x 545	560 x 572 x 545	560 x 572 x 545
Capacity					
Net Volume		68L	68L	64L	64L
Net Volume (Upper or Lower)		30 / 32L	30 / 32L	30 / 32L	30 / 32L

# Models

## Dual Cook



Model Code		NV66M3531BS	NV66M3531BB	NV70H5787CB
Project Name		New Metro	New Metro	Prezio
<b>Oven Features</b>				
Energy Class		A	A	A
Cavity Wall		Forming	Forming	Flat / Side Racks
Oven Colors		Stainless Steel	Black	Black Glass
Door		Triple	Triple	Triple
Opening		Drop Down	Drop Down	Drop Down
Soft Close Door		No	No	No
Interior Lamp (Watts)		25W (Bulb)	25W (Bulb)	40W / 40W (Halogen)
Interior Lights (Position)		Rear	Rear	Top / Side
Control		Control Panel Height	115mm	115mm
		Display	LED / Ice Blue	LED / Ice Blue
		Control Method	Pop-up Dial	Touch Glass
		Wi-Fi	No	No
Cleaning Method		Pyrolytic	No	No
		Catalytic	Yes (Back Wall)	Yes (Back Wall)
		Steam	Steam Cleaning	Steam Cleaning
		Grill Heater	Fixed	Swing
<b>Electric Features</b>				
Temp Ranges		Single Convection	40~250°C	40~250°C
		Single Grill	100~270°C	40~270°C
		Upper or Lower	No	40~250°C
		Twin	No	170~250°C
Upper Grill (Small / Large)		1600W / 1100W	1600W / 1100W	1600W / 1100W
Bottom Heater		1100W	1100W	1100W
Convection (Upper / Lower)		1200W / 1200W	1200W / 1200W	1200W / 1200W
Input Power		3650~3950W	3650~3950W	3650W
Over Voltage Protection		Yes	Yes	Yes
<b>Cooking Modes</b>				
Single Mode		<b>Oven Modes</b>		
		Conventional	40~250°C	40~250°C
		Convection	40~250°C	40~250°C
		Eco Convection	No	No
		Large Grill	100~270°C	40~270°C
		Eco Grill	100~270°C	40~270°C
		Fan Grill	100~270°C	No
		Bottom Heat + Convection	40~250°C	40~250°C
		Top Heat + Convection	40~250°C	40~250°C
		Bottom Heat	100~230°C	No
		Intensive Cook	No	No
		Pro-roasting	80~200°C	No
		<b>Special Function</b>		
		Vapour + Convection	No	No
		Vapour Top Heat + Convection	No	No
		Vapour Bottom Heat + Convection	No	No
		Steam Cook	No	No
		Steam Assist	No	No
		Keep Warm	No	No
		Plate Warm	No	No
		Defrost	No	No
		Prove Dough	No	No
		Slow Cook	No	No
		Drying	No	No
		Auto Cook	25EA	40EA
		Favorite (=Memory Cook)	No	No
Upper Mode		Convection	40~250°C	40~250°C
		Top Heat + Convection	40~250°C	40~250°C
		Large Grill	200~250°C	40~250°C
Lower Mode		Convection	40~250°C	40~250°C
		Bottom Heat	100~230°C	No
		Bottom Heat + Convection	40~250°C	40~250°C
		Steam Cook	No	No
		Steam Assist	No	No
Twin Mode		(Upper) Mode x (Lower) Mode	3Mode x 3Mode = 9EA	3Mode x 3Mode = 9EA
<b>Control Features</b>				
		Clock	Yes	Yes
		Child Safety Lock	Yes	Yes
		Count Timer	Yes	Yes
		Cook Time	Yes	Yes
		End Time	Yes	No
		Language Option	No	No
		Sound	Yes	Yes
<b>Equipment Supplied</b>				
Accessory		Telescopic Tray	No	2Level Baking Tray 1EA, Extra Deep Tray 1EA
		Rack	Wire Rack 1EA	Wire Rack 1EA, Wire Inlay 1EA
		BBQ Spit	No	No
		Meat Probe	No	No
		Cookbook (CD)	No	No
<b>Application Dimensions</b>				
Dimension (W x H x D)		Outside	595 x 595 x 566	595 x 595 x 566
		Cutout	560 x 572 x 545	560 x 572 x 545
Capacity		Net Volume	64L	68L
		Net Volume (Upper or Lower)	30 / 32L	30 / 32L

# Models

## Convection Cook



Model Code		NV75J3140RS	NV75J3140BS	NV75J3140BB
Project Name		NV9900J	NV9900J	NV9900J
<b>Oven Features</b>				
Energy Class		A	A	A
Cavity Wall		Flat / Side Racks	Flat / Side Racks	Flat / Side Racks
Oven Colors		Stainless Steel	Stainless Steel	Black Coated
Door	Door	Triple	Triple	Triple
	Opening	Drop Down	Drop Down	Drop Down
	Soft Close Door	Soft Close	Soft Close	Soft Close
Interior Lamp (Watts)		25W (Halogen)	25W (Halogen)	25W (Halogen)
Interior Lights (Position)		Top	Top	Top
Control	Control Panel Height	85mm	85mm	85mm
	Display	LED / Ice Blue	LED / Ice Blue	LED / Ice Blue
	Control Method	Pop-up Dial (with Touch Buttons)	Pop-up Dial (with Touch Buttons)	Pop-up Dial (with Touch Buttons)
Cleaning Method	Wi-Fi	No	No	No
	Pyrolytic	No	No	No
	Catalytic	Yes (Back Wall)	Yes (Back Wall)	Yes (Back Wall)
	Steam	No	No	No
Grill Heater		Swing	Swing	Swing
<b>Electric Features</b>				
Temp Ranges	Single Convection	50~250°C	50~250°C	50~250°C
	Single Grill	1 / 2 / 3	1 / 2 / 3	1 / 2 / 3
	Upper or Lower	No	No	No
	Twin	No	No	No
Upper Grill (Small / Large)		1600W / 1100W	1600W / 1100W	1600W / 1100W
Bottom Heater		1100W	1100W	1100W
Convection (Upper / Lower)		1800W	1800W	1800W
Input Power		3500~3850W	3500~3850W	3500~3850W
Over Voltage Protection		Yes	Yes	Yes
<b>Cooking Modes</b>				
Single Mode	<b>Oven Modes</b>			
	Conventional	50~250°C	50~250°C	50~250°C
	Convection	50~250°C	50~250°C	50~250°C
	Eco Convection	No	No	No
	Large Grill	1 / 2 / 3	1 / 2 / 3	1 / 2 / 3
	Eco Grill	No	No	No
	Fan Grill	No	No	No
	Bottom Heat + Convection	50~250°C	50~250°C	50~250°C
	Top Heat + Convection	50~250°C	50~250°C	50~250°C
	Bottom Heat	No	No	No
	Intensive Cook	No	No	No
	Pro-roasting	No	No	No
	<b>Special Function</b>			
	Vapour + Convection	No	No	No
	Vapour Top Heat + Convection	No	No	No
	Vapour Bottom Heat + Convection	No	No	No
	Steam Cook	No	No	No
	Steam Assist	No	No	No
	Keep Warm	No	No	No
	Plate Warm	No	No	No
	Defrost	No	No	No
	Prove Dough	No	No	No
	Slow Cook	No	No	No
	Drying	No	No	No
	Auto Cook	No	No	No
	Favorite (=Memory Cook)	No	No	No
Upper Mode	Convection	No	No	No
	Top Heat + Convection	No	No	No
	Large Grill	No	No	No
Lower Mode	Convection	No	No	No
	Bottom Heat	No	No	No
	Bottom Heat + Convection	No	No	No
	Steam Cook	No	No	No
	Steam Assist	No	No	No
Twin Mode	(Upper) Mode x (Lower) Mode	No	No	No
<b>Control Features</b>				
	Clock	Yes	Yes	Yes
	Child Safety Lock	Yes	Yes	Yes
	Count Timer	No	No	No
	Cook Time	No	No	No
	End Time	No	No	No
	Language Option	No	No	No
	Sound	Yes	Yes	Yes
<b>Equipment Supplied</b>				
Accessory	Telescopic Tray	1Level Universal Tray 2EA	No Universal Tray 2EA	No Universal Tray 2EA
	Rack	Wire Rack 1EA	Wire Rack 1EA	Wire Rack 1EA
	BBQ Spit	No	No	No
	Meat Probe	No	No	No
	Cookbook (CD)	No	No	No
<b>Application Dimensions</b>				
Dimension (W x H x D)	Outside	595 x 595 x 566	595 x 595 x 566	595 x 595 x 566
	Cutout	560 x 572 x 545	560 x 572 x 545	560 x 572 x 545
Capacity	Net Volume	75L	75L	75L
	Net Volume (Upper or Lower)	No	No	No



# Models

## Dual Fan



Model Code		NV70M3372BS	NV70M3373BS	NV70K3370RS	NV70K3370BS
Project Name		New Metro	New Metro	New Metro	New Metro
<b>Oven Features</b>					
Energy Class		A	A	A	A
Cavity Wall		Flat / Side Racks	Flat / Side Racks	Flat / Side Racks	Flat / Side Racks
Oven Colors		Stainless Steel	Stainless Steel	Stainless Steel	Stainless Steel
Door		Triple	Triple	Triple	Triple
Opening		Drop Down	Drop Down	Drop Down	Drop Down
Soft Close Door		No	No	No	No
Interior Lamp (Watts)		25W (Halogen)	25W (Halogen)	25W (Halogen)	25W (Halogen)
Interior Lights (Position)		Side	Side	Side	Side
Control		Control Panel Height	115mm	115mm	115mm
		Display	LED / Ice Blue	LED / Ice Blue	LED / Ice Blue
		Control Method	Pop-up Dial	Pop-up Dial	Pop-up Dial
		Wi-Fi	No	No	No
Cleaning Method		Pyrolytic	Pyrolytic	Pyrolytic	Pyrolytic
		Catalytic	No	No	No
		Steam	Steam Cleaning	Steam Cleaning	Steam Cleaning
		Grill Heater	Fixed	Fixed	Fixed
<b>Electric Features</b>					
Temp Ranges		Single Convection	30~250°C	30~250°C	30~250°C
		Single Grill	100~250°C	100~250°C	100~250°C
		Upper or Lower	No	No	No
		Twin	No	No	No
Upper Grill (Small / Large)		1600W / 1100W	1600W / 1100W	1600W / 1100W	1600W / 1100W
Bottom Heater		1100W	1100W	1100W	1100W
Convection (Upper / Lower)		1700W	1700W	1700W	1700W
Input Power		3400~3600W	3400~3600W	3400~3600W	3400~3600W
Over Voltage Protection		Yes	Yes	Yes	Yes
<b>Cooking Modes</b>					
Single Mode		<b>Oven Modes</b>			
		Conventional	30~250°C	30~250°C	30~250°C
		Convection	30~250°C	30~250°C	30~250°C
		Eco Convection	30~250°C	30~250°C	30~250°C
		Large Grill	100~250°C	100~250°C	100~250°C
		Eco Grill	100~250°C	100~250°C	100~250°C
		Fan Grill	No	No	No
		Bottom Heat + Convection	40~250°C	40~250°C	40~250°C
		Top Heat + Convection	40~250°C	40~250°C	40~250°C
		Bottom Heat	100~230°C	100~230°C	100~230°C
		Intensive Cook	No	No	No
		Pro-roasting	80~200°C	80~200°C	80~200°C
		<b>Special Function</b>			
		Vapour + Convection	No	No	No
		Vapour Top Heat + Convection	No	No	No
		Vapour Bottom Heat + Convection	No	No	No
		Steam Cook	No	No	No
		Steam Assist	No	No	No
		Keep Warm	No	No	No
		Plate Warm	No	No	No
		Defrost	No	No	No
		Prove Dough	No	No	No
		Slow Cook	No	No	No
		Drying	No	No	No
		Auto Cook	20EA	20EA	20EA
		Favorite (=Memory Cook)	No	No	No
Upper Mode		Convection	No	No	No
		Top Heat + Convection	No	No	No
		Large Grill	No	No	No
Lower Mode		Convection	No	No	No
		Bottom Heat	No	No	No
		Bottom Heat + Convection	No	No	No
		Steam Cook	No	No	No
		Steam Assist	No	No	No
Twin Mode		(Upper) Mode x (Lower) Mode	No	No	No
<b>Control Features</b>					
		Clock	Yes	Yes	Yes
		Child Safety Lock	Yes	Yes	Yes
		Count Timer	Yes	Yes	Yes
		Cook Time	Yes	Yes	Yes
		End Time	Yes	Yes	Yes
		Language Option	No	No	No
		Sound	Yes	Yes	Yes
<b>Equipment Supplied</b>					
Accessory		Telescopic Tray	No	No	1Level
		Universal Tray 1EA	Universal Tray 1EA	Universal Tray 1EA	Universal Tray 1EA
		Rack	Wire Rack 1EA	Wire Rack 1EA	Wire Rack 1EA
		BBQ Spit	No	No	No
		Meat Probe	Yes	Yes	No
		Cookbook (CD)	No	No	No
<b>Application Dimensions</b>					
Dimension (W x H x D)		Outside	595 x 595 x 566	595 x 595 x 566	595 x 595 x 566
		Cutout	560 x 572 x 545	560 x 572 x 545	560 x 572 x 545
Capacity		Net Volume	68L	68L	68L
		Net Volume (Upper or Lower)	No	No	No

# Models Dual Fan



Model Code		NV70K3370BM	NV70K3370BB	NV70K2340RS	NV70K2340RM
Project Name		New Metro	New Metro	New Metro	New Metro
<b>Oven Features</b>					
Energy Class		A	A	A	A
Cavity Wall		Flat	Flat / Side Racks	Flat / Side Racks	Flat / Side Racks
Oven Colors		STSS / Black / Black STSS	Black	Stainless Steel	Black Stainless Steel
Door	Glass	Triple	Triple	Triple	Triple
	Opening	Drop Down	Drop Down	Drop Down	Drop Down
	Soft Close Door	No	No	No	No
Interior Lamp (Watts)		25W (Halogen)	25W (Halogen)	25W (Halogen)	25W (Halogen)
Interior Lights (Position)		Rear	Side	Side	Side
Control	Control Panel Height	115mm	115mm	115mm	115mm
	Display	LED / Ice Blue	LED / Ice Blue	LED / Ice Blue	LED / Ice Blue
	Control Method	Pop-up Dial	Pop-up Dial	Pop-up Dial	Pop-up Dial
	Wi-Fi	No	No	No	No
Cleaning Method	Pyrolytic	Pyrolytic	Pyrolytic	No	No
	Catalytic	No	No	Yes (Back Wall)	Yes (Back Wall)
	Steam	Steam Cleaning	Steam Cleaning	Steam Cleaning	Steam Cleaning
	Grill Heater	Fixed	Fixed	Swing	Swing
<b>Electric Features</b>					
Temp Ranges	Single Convection	30~250°C	30~250°C	30~250°C	30~250°C
	Single Grill	100~250°C	100~250°C	100~250°C	100~250°C
	Upper or Lower	No	No	No	No
	Twin	No	No	No	No
Upper Grill (Small / Large)		1600W / 1100W	1600W / 1100W	1600W / 1100W	1600W / 1100W
Bottom Heater		1100W	1100W	1100W	1100W
Convection (Upper / Lower)		1700W	1700W	1700W	1700W
Input Power		3400~3600W	3400~3600W	3400~3600W	3400~3600W
Over Voltage Protection		Yes	Yes	Yes	Yes
<b>Cooking Modes</b>					
Single Mode	<b>Oven Modes</b>				
	Conventional	30~250°C	30~250°C	30~250°C	30~250°C
	Convection	30~250°C	30~250°C	30~250°C	30~250°C
	Eco Convection	30~250°C	30~250°C	30~250°C	30~250°C
	Large Grill	100~250°C	100~250°C	100~250°C	100~250°C
	Eco Grill	100~250°C	100~250°C	100~250°C	100~250°C
	Fan Grill	No	No	No	No
	Bottom Heat + Convection	40~250°C	40~250°C	40~250°C	40~250°C
	Top Heat + Convection	40~250°C	40~250°C	40~250°C	40~250°C
	Bottom Heat	100~230°C	100~230°C	100~230°C	100~230°C
	Intensive Cook	No	No	No	No
	Pro-roasting	80~200°C	80~200°C	80~200°C	80~200°C
	<b>Special Function</b>				
	Vapour + Convection	No	No	No	No
	Vapour Top Heat + Convection	No	No	No	No
	Vapour Bottom Heat + Convection	No	No	No	No
	Steam Cook	No	No	No	No
	Steam Assist	No	No	No	No
	Keep Warm	No	No	No	No
	Plate Warm	No	No	No	No
	Defrost	No	No	No	No
	Prove Dough	No	No	No	No
	Slow Cook	No	No	No	No
	Drying	No	No	No	No
	Auto Cook	20EA	20EA	20EA	20EA
	Favorite (=Memory Cook)	No	No	No	No
Upper Mode	Convection	No	No	No	No
	Top Heat + Convection	No	No	No	No
	Large Grill	No	No	No	No
Lower Mode	Convection	No	No	No	No
	Bottom Heat	No	No	No	No
	Bottom Heat + Convection	No	No	No	No
	Steam Cook	No	No	No	No
	Steam Assist	No	No	No	No
Twin Mode	(Upper) Mode x (Lower) Mode	No	No	No	No
<b>Control Features</b>					
	Clock	Yes	Yes	Yes	Yes
	Child Safety Lock	Yes	Yes	Yes	Yes
	Count Timer	Yes	Yes	Yes	Yes
	Cook Time	Yes	Yes	Yes	Yes
	End Time	Yes	Yes	Yes	Yes
	Language Option	No	No	No	No
	Sound	Yes	Yes	Yes	Yes
<b>Equipment Supplied</b>					
Accessory	Telescopic Tray	No	No	1Level	1Level
		Universal Tray 1EA	Universal Tray 1EA	Universal Tray 1EA	Universal Tray 1EA
	Rack	Wire Rack 1EA	Wire Rack 1EA	Wire Rack 1EA	Wire Rack 1EA
	BBQ Spit	No	No	No	No
	Meat Probe	No	No	No	No
	Cookbook (CD)	No	No	No	No
<b>Application Dimensions</b>					
Dimension (W x H x D)	Outside	595 x 595 x 570	595 x 595 x 566	595 x 595 x 566	595 x 595 x 566
	Cutout	560 x 572 x 549	560 x 572 x 545	560 x 572 x 545	560 x 572 x 545
Capacity	Net Volume	68L	68L	68L	68L
	Net Volume (Upper or Lower)	No	No	No	No

# Models

## Dual Fan



Model Code		NV70K2340RG	NV70K2340RB	NV70K1340BS	NV70K1340BB
Project Name		New Metro	New Metro	New Metro	New Metro
<b>Oven Features</b>					
Energy Class		A	A	A	A
Cavity Wall		Flat / Side Racks	Flat / Side Racks	Flat / Side Racks	Flat / Side Racks
Oven Colors		Black Stainless Steel	Black Coated	Stainless Steel	Black Coated
Door	Opening	Triple	Triple	Triple	Triple
	Soft Close Door	Drop Down	Drop Down	Drop Down	Drop Down
Interior Lamp (Watts)		No	No	No	No
Interior Lights (Position)		25W (Halogen)	25W (Halogen)	25W (Halogen)	25W (Halogen)
Control	Control Panel Height	Side	Side	Side	Side
	Display	115mm	115mm	115mm	115mm
Control Method		LED / Ice Blue	LED / Ice Blue	LED / Ice Blue	LED / Ice Blue
Cleaning Method	Control Method	Pop-up Dial	Pop-up Dial	Non Pop-up Dial	Non Pop-up Dial
	Wi-Fi	No	No	No	No
	Pyrolytic	No	No	No	No
	Catalytic	Yes (Back Wall)	Yes (Back Wall)	Yes (Back Wall)	Yes (Back Wall)
Steam		Yes (Back Wall)	Yes (Back Wall)	Yes (Back Wall)	Yes (Back Wall)
Grill Heater		No	No	No	No
Swing		Yes	Yes	Fixed	Fixed
<b>Electric Features</b>					
Temp Ranges	Single Convection	30~250°C	30~250°C	50~250°C	50~250°C
	Single Grill	100~250°C	100~250°C	1 / 2 / 3 Level	1 / 2 / 3 Level
Upper or Lower	Upper or Lower	No	No	No	No
	Twin	No	No	No	No
Upper Grill (Small / Large)		1600W / 1100W	1600W / 1100W	1600W / 700W	1600W / 700W
Bottom Heater		1100W	1100W	600W	600W
Convection (Upper / Lower)		1700W	1700W	1700W	1700W
Input Power		3400~3600W	3400~3600W	3400~3600W	3400~3600W
Over Voltage Protection		Yes	Yes	No	No
<b>Cooking Modes</b>					
Single Mode	<b>Oven Modes</b>				
	Conventional	30~250°C	30~250°C	50~250°C	50~250°C
Convection		30~250°C	30~250°C	50~250°C	50~250°C
Eco Convection		30~250°C	30~250°C	No	No
Large Grill		100~250°C	100~250°C	1 / 2 / 3	1 / 2 / 3
Eco Grill		100~250°C	100~250°C	No	No
Fan Grill		No	No	No	No
Bottom Heat + Convection		40~250°C	40~250°C	50~250°C	50~250°C
Top Heat + Convection		40~250°C	40~250°C	50~250°C	50~250°C
Bottom Heat		100~230°C	100~230°C	No	No
Intensive Cook		No	No	No	No
Pro-roasting		80~200°C	80~200°C	No	No
<b>Special Function</b>					
Vapour + Convection		No	No	No	No
Vapour Top Heat + Convection		No	No	No	No
Vapour Bottom Heat + Convection		No	No	No	No
Steam Cook		No	No	No	No
Steam Assist		No	No	No	No
Keep Warm		No	No	No	No
Plate Warm		No	No	No	No
Defrost		No	No	No	No
Prove Dough		No	No	No	No
Slow Cook		No	No	No	No
Drying		No	No	No	No
Auto Cook		20EA	20EA	No	No
Favorite (=Memory Cook)		No	No	No	No
Upper Mode	Convection	No	No	No	No
	Top Heat + Convection	No	No	No	No
Lower Mode	Large Grill	No	No	No	No
	Convection	No	No	No	No
Bottom Heat		No	No	No	No
Bottom Heat + Convection		No	No	No	No
Steam Cook		No	No	No	No
Steam Assist		No	No	No	No
Twin Mode	(Upper) Mode x (Lower) Mode	No	No	No	No
<b>Control Features</b>					
Clock		Yes	Yes	Yes	Yes
Child Safety Lock		Yes	Yes	Yes	Yes
Count Timer		Yes	Yes	Yes	Yes
Cook Time		Yes	Yes	Yes	Yes
End Time		Yes	Yes	No	No
Language Option		No	No	No	No
Sound		Yes	Yes	Yes	Yes
<b>Equipment Supplied</b>					
Accessory	Telescopic Tray	1Level	1Level	No	No
	Universal Tray 1EA	Universal Tray 1EA	Universal Tray 1EA	Universal Tray 1EA	Universal Tray 1EA
Rack		Wire Rack 1EA	Wire Rack 1EA	Wire Rack 1EA	Wire Rack 1EA
BBQ Spit		No	No	No	No
Meat Probe		No	No	No	No
Cookbook (CD)		No	No	No	No
<b>Application Dimensions</b>					
Dimension (W x H x D)		Outside	595 x 595 x 566	595 x 595 x 566	595 x 595 x 566
Cutout		560 x 572 x 545	560 x 572 x 545	560 x 572 x 545	560 x 572 x 545
Capacity	Net Volume	68L	68L	68L	68L
	Net Volume (Upper or Lower)	No	No	No	No

# Models Dual Fan



Model Code		NV70K1310BS	NV72M1010BS	NV70H5587BB	NV70H5587CB
Project Name		New Metro	Conventional (W/O Fan)	Prezio	Prezio
<b>Oven Features</b>					
Energy Class		A	A	A	A
Cavity Wall		Flat / Side Racks	Forming	Flat / Side Racks	Flat / Side Racks
Oven Colors		Stainless Steel	Stainless Steel	Black Glass	Black Glass
Door	Glass	Triple	Triple	Triple	Triple
	Opening	Drop Down	Drop Down	Drop Down	Drop Down
	Soft Close Door	No	No	No	No
Interior Lamp (Watts)		25W (Halogen)	25W (Bulb)	25W (Bulb)	25W (Bulb)
Interior Lights (Position)		Side	Rear	Rear	Rear
Control	Control Panel Height	115mm	115mm	115mm	115mm
	Display	LED / Ice Blue	LED / Ice Blue	LED / Ice Blue	LED / Ice Blue
	Control Method	Non Pop-up Dial	Non Pop-up Dial	Touch Glass	Touch Glass
	Wi-Fi	No	No	No	No
Cleaning Method	Pyrolytic	No	No	No	No
	Catalytic	No	No	Yes (Back Wall)	Yes (Back Wall)
	Steam	No	No	Steam Cleaning	Steam Cleaning
	Grill Heater	Fixed	Fixed	Swing	Swing
<b>Electric Features</b>					
Temp Ranges	Single Convection	50~250°C	N.A.	40~250°C	40~250°C
	Single Grill	1 / 2 / 3 Level	1 / 2 / 3 Level	40~300°C	40~300°C
	Upper or Lower	No	No	No	No
	Twin	No	No	No	No
	Upper Grill (Small / Large)	1600W / 700W	1600W / 700W	1600W / 1100W	1600W / 1100W
	Bottom Heater	600W	600W	1100W	1100W
	Convection (Upper / Lower)	1700W	No	1700W	1700W
	Input Power	3400~3600W	2950~3200W	3400W	3400W
	Over Voltage Protection	No	No	Yes	Yes
<b>Cooking Modes</b>					
Single Mode	<b>Oven Modes</b>				
	Conventional	50~250°C	50~250°C	40~250°C	40~250°C
	Convection	50~250°C	No	40~250°C	40~250°C
	Eco Convection	No	No	No	No
	Large Grill	1 / 2 / 3	1 / 2 / 3	40~300°C	40~300°C
	Eco Grill	No	1 / 2 / 3	40~300°C	40~300°C
	Fan Grill	No	No	No	No
	Bottom Heat + Convection	50~250°C	No	40~250°C	40~250°C
	Top Heat + Convection	50~250°C	No	40~250°C	40~250°C
	Bottom Heat	No	No	No	No
	Intensive Cook	No	No	No	No
	Pro-roasting	No	No	No	No
	<b>Special Function</b>				
	Vapour + Convection	No	No	No	No
	Vapour Top Heat + Convection	No	No	No	No
	Vapour Bottom Heat + Convection	No	No	No	No
	Steam Cook	No	No	No	No
	Steam Assist	No	No	No	No
	Keep Warm	No	No	No	No
	Plate Warm	No	No	No	No
	Defrost	No	Yes	No	No
	Prove Dough	No	Yes	No	No
	Slow Cook	No	No	No	No
	Drying	No	No	No	No
	Auto Cook	No	No	25EA	25EA
	Favorite (=Memory Cook)	No	No	No	No
Upper Mode	Convection	No	No	No	No
	Top Heat + Convection	No	No	No	No
	Large Grill	No	No	No	No
Lower Mode	Convection	No	No	No	No
	Bottom Heat	No	No	No	No
	Bottom Heat + Convection	No	No	No	No
	Steam Cook	No	No	No	No
	Steam Assist	No	No	No	No
Twin Mode	(Upper) Mode x (Lower) Mode	No	No	No	No
<b>Control Features</b>					
	Clock	Yes	Yes	Yes	Yes
	Child Safety Lock	Yes	Yes	Yes	Yes
	Count Timer	Yes	Yes	Yes	Yes
	Cook Time	Yes	Yes	Yes	Yes
	End Time	No	No	Yes	Yes
	Language Option	No	No	No	No
	Sound	Yes	Yes	No	No
<b>Equipment Supplied</b>					
Accessory	Telescopic Tray	No	No	1Level	2Level
		Universal Tray 1EA	Universal Tray 1EA	Universal Tray 1EA	Universal Tray 2EA
	Rack	Wire Rack 1EA	Wire Rack 1EA	Wire Rack 1EA, Wire Inlay 1EA	Wire Rack 1EA, Wire Inlay 1EA
	BBQ Spit	No	No	No	No
	Meat Probe	No	No	No	No
	Cookbook (CD)	No	No	No	No
<b>Application Dimensions</b>					
Dimension (W x H x D)	Outside	595 x 595 x 566	595 x 595 x 566	595 x 595 x 566	595 x 595 x 566
	Cutout	560 x 572 x 545	560 x 572 x 545	560 x 572 x 545	560 x 572 x 545
Capacity	Net Volume	68L	72L	68L	68L
	Net Volume (Upper or Lower)	No	No	No	No

# Models

## Compact Oven



Model Code		NQ50C7935ES	NQ50J9530BS	NQ50J9530BM	NQ50J5530BS
<b>Oven Features</b>					
Type		Steam Combi	Combi MWO	Combi MWO	Combi MWO
Cavity Material		Ceramic Enamel	Ceramic Enamel	Ceramic Enamel	Ceramic Enamel
Oven Color (Con-panel / Door)		Stainless Steel	Stainless Steel	Black Stainless Steel	Stainless Steel
Door	Glass	Triple	Triple	Triple	Triple
	Opening	Drop Down	Drop Down	Drop Down	Drop Down
Handle Color		Stainless Steel	Stainless Steel	Stainless Steel	Stainless Steel
	Prestop Hinge	No	Yes	Yes	Yes
Interior Lamp (Watts)		2 x 25W (Normal)	40W (Halogen)	40W (Halogen)	40W (Halogen)
Interior Lights		Upper Right & Left	Left (Side)	Left (Side)	Left (Side)
	Control Panel Height	85 mm	85 mm	85 mm	85 mm
Display		LED / Ice Blue	4.6" Touch LCD	4.6" Touch LCD	LED / Ice Blue
	Control Method	Pop-up Dial (with Touch Buttons)	Touch LCD	Touch LCD	Pop-up Dial (with Touch Buttons)
Cleaning Method	Steam	Yes	Yes	Yes	Yes
	Grill Heater	Fixed	Fixed	Fixed	Fixed
<b>Electric Features</b>					
MWO Watts		No	900W	900W	800W
Oven Temp Ranges		Convection : 40~250°C	Convection : 40~250°C	Convection : 40~250°C	Convection : 40~230°C
		Grill : 150~250°C	Grill : 150~250°C	Grill : 150~250°C	Grill : 150~230°C
Upper Grill (In / Out)		1400W / 1100W	1400W / 1100W	1400W / 1100W	1400W / 1100W
Bottom Heater		1000W	1000W	1000W	1000W
Convection		1000W	1000W	1000W	No
Fan		2	2	2	1
Input Power		3200W	3200W	3200W	3000W
<b>Cooking Modes</b>					
MWO Mode	MWO	No	Yes	Yes	Yes
	Auto Defrost	No	Yes (5EA)	Yes (5EA)	Yes (5EA)
Auto Reheat		No	No	No	No
	Keep Warm (MWO)	No	No	No	No
Power Level (MWO)		No	100/180/300/450/600/750/900	100/180/300/450/600/750/900	100/180/300/450/600/700/800
	MWO + Grill	No	Yes	Yes	Yes
Combi-MWO Mode (MWO + Oven)	MWO + Convection	No	Yes	Yes	Yes
	MWO + Roast	No	Yes	Yes	No
Oven Mode	Steam Generator	Yes	No	No	No
	Steam + Convection	Yes	No	No	No
Steam + Reheat		Yes	No	No	No
	Convection	Yes	Yes	Yes	Yes
Roasting (Convection + Top) Heat		Yes	Yes	Yes	No
	Conventional	Yes	Yes	Yes	No
Grill		Yes	Yes	Yes	Yes
	Fan Grill	Yes	Yes	Yes	No
Pizza (Convection + Bottom)	Yes	Yes	Yes	No	
Intensive (Top + Bottom + Convection)	Yes	Yes	Yes	No	
Pro-roasting	Yes	Yes	Yes	No	
Eco Convection	Yes	No	No	No	
Vegetable Function	No	No	No	Yes	
Multi-level Cook Mode	Yes	Yes	Yes	No	
Keep Warm Mode	Yes	Yes	Yes	Yes	
Deodorization	No	No	No	No	
Auto Cook		40EA (Auto Cook 35EA, Auto Defrost 5EA)	40EA (Auto Cook 31EA, Speed Cook 4EA, Auto Defrost 5EA)	40EA (Auto cook 31EA, Speed cook 4EA, Auto defrost 5EA)	25EA (Auto Cook 10EA, Auto Defrost 5EA, Vegetable 10EA)
<b>Control Features</b>					
Clock		Yes	Yes	Yes	Yes
Child Safety Lock		Yes	Yes	Yes	Yes
Cook Time		Yes	Yes	Yes	Yes
End Timer		Yes	Yes	Yes	Yes
Oven Temp		Yes	Yes	Yes	Yes
Sound		Buzzer	Buzzer	Buzzer	Buzzer
Sound On / Off (Hidden)		Yes	Yes	Yes	Yes
Demo Mode		Yes (Hidden)	Yes (Hidden)	Yes (Hidden)	Yes (Hidden)
<b>Equipment Supplied</b>					
Accessory	Ceramic Tray	No	1EA	1EA	1EA
	Baking Tray	2EA	2EA	2EA	1EA
	Wire Rack	1EA	1EA	1EA	No
	Wire Tray Insert	1EA	1EA	1EA	1EA
	Steam Tray	Yes (Steam Rack 1)	No	No	1EA (Pure Steam Bowl)
<b>Application Dimensions</b>					
Dimension (W x H x D)	Outside	595 x 454.2 x 570	595 x 454.2 x 570	595 x 454.2 x 570	595 x 454.2 x 570
	Cutout	555 x 445 x 548.8	555 x 445 x 548.8	555 x 445 x 548.8	555 x 445 x 548.8
Capacity	Usable Capacity	50 L	50 L	50 L	50 L

# Models

## Compact Oven



Model Code		NQ50J3530BS	NQ50K3530BG	NQ50J3530BB	NQ50H5537KB
<b>Oven Features</b>					
Type		Combi MWO	Combi MWO	Combi MWO	Combi MWO
Cavity Material		Ceramic Enamel	Ceramic Enamel	Ceramic Enamel	Ceramic Enamel
Oven Color (Con-panel / Door)		Stainless Steel	Black Stainless Steel (Caviar Black)	Black	Black Glass
Door	Glass	Triple	Triple	Triple	Triple
	Opening	Drop Down	Drop Down	Drop Down	Drop Down
Handle Color		Stainless Steel	Stainless Steel	Stainless Steel	Titanium BLK
	Prestop Hinge	Yes	Yes	Yes	Yes
Interior Lamp (Watts)		40W (Halogen)	40W (Halogen)	40W (Halogen)	40W (Halogen)
Interior Lights		Left (Side)	Left (Side)	Left (Side)	Left (Side)
Control	Control Panel Height	85 mm	85 mm	85 mm	85 mm
	Display	LED / Ice Blue	LED / Ice Blue	LED / Ice Blue	LED / Ice Blue
Cleaning Method	Control Method	Pop-up Dial (with Touch Buttons)	Pop-up Dial (with Touch Buttons)	Pop-up Dial (with Touch Buttons)	Glass Touch
	Steam	Yes	Yes	Yes	Yes
	Grill Heater	Fixed	Fixed	Fixed	Fixed
<b>Electric Features</b>					
MWO Watts		800W	800W	800W	800W
Oven Temp Ranges		Convection : 40~230°C	Convection : 40~230°C	Convection : 40~230°C	Convection : 40~230°C
		Grill : 150~230°C	Grill : 150~230°C	Grill : 150~230°C	Grill : 150~230°C
Upper Grill (In / Out)		1400W / 1100W	1400W / 1100W	1400W / 1100W	1400W / 1100W
Lower Grill		1000W	1000W	1000W	1000W
Convection (Upper / Lower)		No	No	No	No
Fan		1	1	1	1
Input Power		3000W	3000W	3000W	3000W
<b>Cooking Modes</b>					
MWO Mode	MWO	Yes	Yes	Yes	Yes
	Auto Defrost	Yes (5EA)	Yes (5EA)	Yes (5EA)	Yes (5EA)
	Auto Reheat	No	No	No	No
	Keep Warm (MWO)	No	No	No	No
	Power Level (MWO)	100/180/300/450/600/700/800	100/180/300/450/600/700/800	100/180/300/450/600/700/800	100/180/300/450/600/700/800
Combi-MWO Mode (MWO + Oven)	MWO + Grill	Yes	Yes	Yes	Yes
	MWO + Convection	Yes	Yes	Yes	Yes
	MWO + Roast	No	No	No	Yes
Oven Mode	Steam Generator	No	No	No	No
	Steam + Convection	No	No	No	No
	Steam + Reheat	No	No	No	No
	Convection	Yes	Yes	No	Yes
	Roasting (Convection + Top) Heat	No	No	Yes	No
	Conventional	No	No	No	No
	Grill	Yes	Yes	Yes	Yes
	Fan Grill	No	No	No	No
	Pizza (Convection + Bottom)	No	No	No	No
	Intensive (Top + Bottom + Convection)	No	No	No	No
	Pro-roasting	No	No	No	No
	Eco Convection	No	No	No	No
	Vegetable Function	Yes	Yes	Yes	Yes (10EA)
Multi-level Cook Mode	No	No	No	No	
Keep Warm Mode	Yes	Yes	Yes	No	
Deodorization	No	No	No	No	
Auto Cook Recipes		25EA (Auto Cook 10EA, Auto Defrost 5EA, Vegetable 10EA)	25EA (Auto Cook 10EA, Auto Defrost 5EA, Vegetable 10EA)	25EA (Auto Cook 10EA, Auto Defrost 5EA, Vegetable 10EA)	25EA (Auto Cook 10EA, Auto Defrost 5EA, Vegetable 10EA)
<b>Control Features</b>					
	Clock	Yes	Yes	Yes	Yes
	Child Safety Lock	Yes	Yes	Yes	Yes
	Cook Time	Yes	Yes	Yes	Yes
	End Timer	Yes	Yes	Yes	Yes
	Oven Temp	Yes	Yes	Yes	Yes
	Sound	Buzzer	Buzzer	Buzzer	Buzzer
	Sound On / Off (Hidden)	Yes	Yes	Yes	Yes
	Demo Mode	Yes (Hidden)	Yes (Hidden)	Yes (Hidden)	Yes (Hidden)
<b>Equipment Supplied</b>					
Accessory	Ceramic Tray	1EA	1EA	1EA	1EA
	Baking Tray	1EA	1EA	1EA	1EA
	Wire Rack	No	No	No	No
	Wire Tray Insert	1EA	1EA	1EA	1EA
	Steam Tray	1EA (Pure Steam Bowl)	1EA (Pure Steam Bowl)	1EA (Pure Steam Bowl)	1EA (Pure Steam Bowl)
<b>Application Dimensions</b>					
Dimension (W x H x D)	Outside	595 x 454.2 x 570	595 x 454.2 x 570	595 x 454.2 x 570	595 x 454.2 x 570
	Cutout	555 x 445 x 548.8	555 x 445 x 548.8	555 x 445 x 548.8	555 x 445 x 548.8
Capacity	Usable Capacity	50 L	50 L	50 L	50 L

# Models

## Compact Oven



Model Code		NQ50K5130BS	NQ50K3130BS	NQ50K3130BM	NQ50K3130BB
<b>Oven Features</b>					
Type		MWO Solo	MWO Solo	MWO Solo	MWO Solo
Cavity Material		Ceramic Enamel	Ceramic Enamel	Ceramic Enamel	Ceramic Enamel
Oven Color (Con-panel / Door)		Stainless Steel	Stainless Steel	Black Stainless Steel (Matt Black)	Black
Door	Glass	Triple	Triple	Triple	Triple
	Opening	Drop Down	Drop Down	Drop Down	Drop Down
	Handle Color	Stainless Steel	Stainless Steel	Stainless Steel	Stainless Steel
	Prestop Hinge	No	No	No	No
Interior Lamp (Watts)		1 x 25W (Wide)	1 x 25W (Wide)	1 x 25W (Wide)	1 x 25W (Wide)
Interior Lights		Left (Side)	Left (Side)	Left (Side)	Left (Side)
Control	Control Panel Height	85 mm	85 mm	85 mm	85 mm
	Display	LED / Ice Blue	LED / Ice Blue	LED / Ice Blue	LED / Ice Blue
	Control Method	Pop-up Dial (with Touch Buttons)	Pop-up Dial (with Touch Buttons)	Pop-up Dial (with Touch Buttons)	Pop-up Dial (with Touch Buttons)
Cleaning Method	Steam	Yes	Yes	Yes	Yes
	Grill Heater	No	No	No	No
<b>Electric Features</b>					
MWO Watts		900W	900W	900W	900W
Oven Temp Ranges		No	No	No	No
		No	No	No	No
Upper Grill (In / Out)		No	No	No	No
Bottom Heater		No	No	No	No
Convection		No	No	No	No
Fan		No	No	No	No
Input Power		1650W	1650W	1650W	1650W
<b>Cooking Modes</b>					
MWO Mode	MWO	Yes	Yes	Yes	Yes
	Auto Defrost	Yes	Yes	Yes	Yes
	Auto Reheat	Yes	Yes	Yes	Yes
	Keep Warm (MWO)	Yes	Yes	Yes	Yes
	Power Level (MWO)	100/180/300/450/600/750/900	100/180/300/450/600/750/900	100/180/300/450/600/750/900	100/180/300/450/600/750/900
Combi-MWO Mode (MWO + Oven)	MWO + Grill	No	No	No	No
	MWO + Convection	No	No	No	No
	MWO + Roast	No	No	No	No
Oven Mode	Steam Generator	No	No	No	No
	Steam + Convection	No	No	No	No
	Steam + Reheat	No	No	No	No
	Convection	No	No	No	No
	Roasting (Convection + Top) Heat	No	No	No	No
	Conventional	No	No	No	No
	Grill	No	No	No	No
	Fan Grill	No	No	No	No
	Pizza (Convection + Bottom)	No	No	No	No
	Intensive (Top + Bottom + Convection)	No	No	No	No
	Pro-roasting	No	No	No	No
	Eco Convection	No	No	No	No
Vegetable Function		No	No	No	No
Multi-level Cook Mode		No	No	No	No
Keep Warm Mode		No	No	No	No
Deodorization		Yes	Yes	Yes	Yes
Auto Cook		20EA (Auto Cook 15EA, Auto Defrost 5EA)	20EA (Auto Cook 15EA, Auto Defrost 5EA)	20EA (Auto Cook 15EA, Auto Defrost 5EA)	20EA (Auto Cook 15EA, Auto Defrost 5EA)
<b>Control Features</b>					
	Clock	Yes	Yes	Yes	Yes
	Child Safety Lock	Yes	Yes	Yes	Yes
	Cook Time	No	No	No	No
	End Timer	No	No	No	No
	Oven Temp	No	No	No	No
	Sound	Buzzer	Buzzer	Buzzer	Buzzer
	Sound On / Off (Hidden)	No	No	No	No
	Demo Mode	Yes (Hidden)	Yes (Hidden)	Yes (Hidden)	Yes (Hidden)
<b>Equipment Supplied</b>					
Accessory	Ceramic Tray	1EA	1EA	1EA	1EA
	Baking Tray	No	No	No	No
	Wire Rack	No	No	No	No
	Wire Tray Insert	No	No	No	No
	Steam Tray	No	No	No	No
<b>Application Dimensions</b>					
Dimension (W x H x D)	Outside	595 x 454.2 x 570	595 x 454.2 x 570	595 x 454.2 x 570	595 x 454.2 x 570
	Cutout	555 x 445 x 548.8	555 x 445 x 548.8	555 x 445 x 548.8	555 x 445 x 548.8
Capacity	Usable Capacity	50 L	50 L	50 L	50 L

# Models

## Compact Oven



Model Code		NQ50K5137KB	NQ50H5533KS
<b>Oven Features</b>			
Type		MWO Solo	Combi MWO
Cavity Material		Ceramic Enamel	Ceramic Enamel
Oven Color (Con-panel / Door)		Black Glass	Stainless Steel
Door	Glass	Triple	Triple
	Opening	Drop Down	Drop Down
Handle Color		Stainless Steel	Stainless Steel
	Prestop Hinge	No	Yes
Interior Lamp (Watts)		1 x 25W (Wide)	40W (Halogen)
Interior Lights		Left (Side)	Left (Side)
Control	Control Panel Height	85 mm	85 mm
	Display	LED / Ice Blue	LED / Ice Blue
	Control Method	Pop-up Dial (with Touch Buttons)	Pop-up Dial (with Touch Buttons)
Cleaning Method	Steam	Yes	Yes
	Grill Heater	No	Fixed
<b>Electric Features</b>			
MWO Watts		900W	800W
Oven Temp Ranges		No	Convection : 40~230°C
		No	Grill : 150~230°C
Upper Grill (In / Out)		No	1400W / 1100W
Lower Grill		No	1000W
Convection (Upper / Lower)		No	No
Fan		No	1
Input Power		1650W	3000W
<b>Cooking Modes</b>			
MWO Mode	MWO	Yes	Yes
	Auto Defrost	Yes	Yes (5EA)
	Auto Reheat	Yes	No
	Keep Warm (MWO)	No	No
	Power Level (MWO)	100/180/300/450/600/750/900	100/180/300/450/600/700/800
Combi-MWO Mode (MWO + Oven)	MWO + Grill	No	Yes
	MWO + Convection	No	Yes
	MWO + Roast	No	No
Oven Mode	Steam Generator	No	No
	Steam + Convection	No	No
	Steam + Reheat	No	No
	Convection	No	Yes
	Roasting (Convection + Top) Heat	No	No
	Conventional	No	No
	Grill	No	Yes
	Fan Grill	No	No
	Pizza (Convection + Bottom)	No	No
	Intensive (Top + Bottom + Convection)	No	No
	Pro-roasting	No	No
	Eco Convection	No	No
Vegetable Function		No	Yes (10EA)
Multi-level Cook Mode		No	No
Keep Warm Mode		No	No
Deodorization		Yes	No
Auto Cook Recipes		20EA (Auto Cook 15EA, Auto Defrost 5EA)	25EA (Auto Cook 10EA, Auto Defrost 5EA, Vegetable 10EA)
<b>Control Features</b>			
	Clock	Yes	Yes
	Child Safety Lock	Yes	Yes
	Cook Time	No	Yes
	End Timer	No	Yes
	Oven Temp	No	Yes
	Sound	Buzzer	Buzzer
	Sound On / Off (Hidden)	No	Yes
	Demo Mode	Yes (Hidden)	Yes (Hidden)
<b>Equipment Supplied</b>			
Accessory	Ceramic Tray	1EA	1EA
	Baking Tray	No	1EA
	Wire Rack	No	No
	Wire Tray Insert	No	1EA
	Steam Tray	No	1EA (Pure Steam Bowl)
<b>Application Dimensions</b>			
Dimension (W x H x D)	Outside	595 x 454.2 x 570	595 x 454.2 x 570
	Cutout	555 x 445 x 548.8	555 x 445 x 548.8
Capacity	Usable Capacity	50 L	50 L



# Models Warmer



Model Code	NL20J7100WB	NL20F7100WB
Design	Glass / Stainless Steel Frame	Glass / Stainless Steel Frame
<b>Features</b>		
Size	600 x 150	600 x 150
Cut-out	560 x 550 x 150	560 x 550 x 150
Handle	Push & Pull Door	Push & Pull Door
Rail	Telescopic Rail	Telescopic Rail
Weight Capacity	25kg	25kg
Temp Range	30~80°C	30~80°C
Energy Consumption	420W	420W
Safe Opening & Closing	Anti-slip Mat	Anti-slip Mat
Control	LED Status Lamp	LED Status Lamp
Dimension	595 x 545 x 140	595 x 545 x 140
Remark	Push-pull Tolerance : 21mm Door Gap Between Compact and Warmer : 8mm	Push-pull Tolerance : 21mm Door Gap Between Compact and Warmer : 8mm

# Models

## Microwave Oven



Model Code		MG22M8074CT	MG22M8074AT	MG22M8054AK	MS22M8074AT
<b>General</b>					
Capacity		0.7 cu.ft. / 22 Liter	0.7 cu.ft. / 22 Liter	0.7 cu.ft. / 22 Liter	0.7 cu.ft. / 22 Liter
Type	Installation	Built-in	Built-in	Built-in	Built-in
	Heat Source	Grill	Grill	Grill	Solo
Power	Power Source	230V / 50Hz	230V / 50Hz	230V / 50Hz	230V / 50Hz
	Output Power (Microwave)	850W	850W	850W	850W
	Output Power (Grill)	1100W	1100W	1100W	N/A
	Output Power (Convection)	N/A	N/A	N/A	N/A
	Power Consumption	1300W	1300W	1300W	1250W
	Max Output Power	2400W	2400W	2400W	1250W
Display	Type	LED / Ice Blue	LED / Ice Blue	LED / Ice Blue	LED / Ice Blue
	Language Option	N/A	N/A	N/A	N/A
Sensor		Yes (Moisture)	Yes (Moisture)	No	Yes (Moisture)
Control Method		Touch	Touch	Touch	Touch
Door Open Mechanism		Push Button	Push Button	Push Button	Push Button
MW Distribution Mechanism		Turntable	Turntable	Turntable	Turntable
<b>Features</b>					
Keep Warm (Food)		Yes	Yes	Yes	Yes
Power Level		6	6	6	6
Time Control		Touch (+/-)	Touch (+/-)	Touch (+/-)	Touch (+/-)
Weight / Serving Control		Touch (+/-)	Touch (+/-)	Touch (+/-)	Touch (+/-)
One Minute / 30 secs Plus		30 secs Plus	30 secs Plus	30 secs Plus	30 secs Plus
Turntable on / off		No	No	No	No
Defrost (Auto / Power / Sensor / Quick)		Yes	Yes	Yes	Yes
Auto Reheat/cook		Yes	Yes	Yes	Yes
Auto Crusty cook		No	No	No	No
Auto Power Steam Cook		No	No	No	No
Sensor Cook		Yes	Yes	No	Yes
Child Lock		Yes	Yes	Yes	Yes
<b>Materials &amp; Finishes</b>					
Cabinet Color		Black	Black	Black	Black
Door Color		Stainless Steel	Stainless Steel	Black	Black
Cavity Interior		Ceramic Enamel	Ceramic Enamel	Ceramic Enamel	Ceramic Enamel
Turntable	Material	Glass	Glass	Glass	Glass
	Size	Diameter 255mm	Diameter 255mm	Diameter 255mm	Diameter 255mm
Grill Heater		Sheath	Sheath	Sheath	N/A
<b>Accessory</b>					
Grill Rack		Yes	Yes	Yes	N/A
Crusty Tray		Yes	N/A	N/A	N/A
<b>Physical Specification</b>					
Dimension (W x H x D)	Cavity	330 x 224 x 292	330 x 224 x 292	330 x 224 x 292	330 x 224 x 292
	Outside	595 x 380 x 320	595 x 380 x 320	595 x 380 x 320	595 x 380 x 320
Weight (Kg)	Weight (Net)	15.5 Kg	15.5 Kg	15.5 Kg	14.5 Kg
	Weight (Shipping)	18.5 Kg	18.5 Kg	18.5 Kg	17.8 Kg

# Models

## Microwave Oven



Model Code		MS22M8074AM	MS22M8054AK
<b>General</b>			
Capacity		0.7 cu.ft. / 22 Liter	0.7 cu.ft. / 22 Liter
Type	Installation	Built-in (True)	Built-in
	Heat Source	Solo	Solo
Power	Power Source	230V / 50Hz	230V / 50Hz
	Output Power (Microwave)	850W	850W
	Output Power (Grill)	N/A	N/A
	Output Power (Convection)	N/A	N/A
	Power Consumption	1300W	1250W
Display	Max Output Power	1250W	1250W
	Type	LED / Ice Blue	LED / Ice Blue
	Language Option	N/A	N/A
Sensor		Yes (Moisture)	No
Control Method		Touch	Touch
Door Open Mechanism		Push Button	Push Button
MW Distribution Mechanism		Turntable	Turntable
<b>Features</b>			
Keep Warm (Food)		Yes	Yes
Power Level		6	6
Time Control		Touch (+/-)	Touch (+/-)
Weight / Serving Control		Touch (+/-)	Touch (+/-)
One Minute / 30 secs Plus		30 secs Plus	30 secs Plus
Turntable on / off		No	No
Defrost (Auto / Power / Sensor / Quick)		Yes	Yes
Auto Reheat/cook		Yes	Yes
Auto Crusty cook		No	No
Auto Power Steam Cook		No	No
Sensor Cook		Yes	No
Child Lock		Yes	Yes
<b>Materials &amp; Finishes</b>			
Cabinet Color		Black	Black
Door Color		Black Stainless Steel	Black
Cavity Interior		Ceramic Enamel	Ceramic Enamel
Turntable	Material	Glass	Glass
	Size	Diameter 255mm	Diameter 255mm
Grill Heater		N/A	N/A
<b>Accessory</b>			
Grill Rack		N/A	N/A
Crusty Tray		N/A	N/A
<b>Physical Specification</b>			
Dimension (W x H x D)	Cavity	330 x 224 x 292	330 x 224 x 292
	Outside	595 x 380 x 320	595 x 380 x 320
Weight (Kg)	Weight (Net)	14.5 Kg	14.5 Kg
	Weight (Shipping)	17.8 Kg	17.8 Kg

# Models

## Microwave Oven



Model Code		FG87SUST	FG88SUST	FG87SUB	FG87SUG
<b>General</b>					
Capacity		0.8 cu.ft. / 23 Liter	0.8 cu.ft. / 23 Liter	0.8 cu.ft. / 23 Liter	0.8 cu.ft. / 23 Liter
Type	Installation	Built-in	Built-in (Trim Kit)	Built-in	Built-in (Trim Kit)
	Heat Source	Grill	Grill	Grill	Grill
Power	Power Source	230V / 50Hz	230V / 50Hz	230V / 50Hz	230V / 50Hz
	Output Power (Microwave)	800W	800W	800W	800W
	Output Power (Grill)	1100W	1100W	1100W	1100W
	Output Power (Convection)	N/A	N/A	N/A	N/A
	Power Consumption	1200W	1200W	1200W	1200W
Display	Max Output Power	2300W	2300W	2300W	2300W
	Type	LED / Ice Blue	LED / Blue	LED / Ice Blue	LED / Ice Blue
	Language Option	N/A	N/A	N/A	N/A
Sensor		No	No	No	No
Control Method		Tact	Tact	Tact	Tact
Door Open Mechanism		Push Button	Push Button	Push Button	Push Button
MW Distribution Mechanism		Turntable	Turntable	Turntable	Turntable
<b>Features</b>					
Cooking Modes	Microwave Oven	Yes	Yes	Yes	Yes
	Brown / Grill	Yes	Yes	Yes	Yes
Clock		Yes	Yes	Yes	Yes
Warm		No	No	No	No
Max Cooking Time		99min	99min	99min	99min
Kitchen Timer / Hold Timer		No	No	No	No
More / Less		No	No	No	No
Memory Cook		No	No	No	No
Power Level		6	6	6	6
Cooking Stages		No	No	No	No
Time Control		Button (+/-)	Button (+/-)	Button (+/-)	Button (+/-)
Weight / Serving Control		Button (+/-)	Button (+/-)	Button (+/-)	Button (+/-)
One Minute / 30 secs Plus		30 secs Plus	30 secs Plus	30 secs Plus	30 secs Plus
Turntable On / Off		No	No	No	No
Defrost (Auto / Power / Sensor / Quick)		Power Defrost (4)	Power	Power Defrost (4)	Power
		1.Meat	1.Meat	1.Meat	1.Meat
		2.Poultry	2.Poultry	2.Poultry	2.Poultry
		3.Fish	3.Fish	3.Fish	3.Fish
		4.Bread / Cake	4.Bread / Cake	4.Bread / Cake	4.Bread / Cake
Auto Reheat / Cook		1.Ready Meal	1.Ready Meal	1.Ready Meal	1.Ready Meal
		2.Soup / Sauce	2.Soup / Sauce	2.Soup / Sauce	2.Soup / Sauce
		3.Pasta Gratin	3.Pasta Gratin	3.Pasta Gratin	3.Pasta Gratin
		4.Drinks	4.Drinks	4.Drinks	4.Drinks
		Crusty Cook (4)	Crusty Cook (4)	Crusty Cook (4)	Crusty Cook (4)
Auto Crusty Cook		1.Frozen Pizza	1.Frozen Pizza	1.Frozen Pizza	1.Frozen Pizza
		2.Frozen Baguettes	2.Frozen Baguettes	2.Frozen Baguettes	2.Frozen Baguettes
		3.Frozen Quiche / Pie	3.Frozen Quiche / Pie	3.Frozen Quiche / Pie	3.Frozen Quiche / Pie
		4.Frozen Chicken Nuggets	4.Frozen Chicken Nuggets	4.Frozen Chicken Nuggets	4.Frozen Chicken Nuggets
		-	-	-	-
Auto Power Steam Cook		-	-	-	-
		-	-	-	-
		-	-	-	-
		-	-	-	-
		-	-	-	-
Sensor Cook		No	No	No	No
Deodorization		No	No	No	No
Setting (My Choice)	Weight Option	No	No	No	No
	Sound Option	Yes	Yes	Yes	Yes
	Reminder End Signal	Yes	Yes	Yes	Yes
	Clock System Option (12H / 24H)	Yes	Yes	Yes	Yes
	Child Lock	Yes (Hidden)	Yes (Hidden)	Yes (Hidden)	Yes (Hidden)
<b>Materials &amp; Finishes</b>					
Cabinet Color		Stainless Steel	Stainless Steel	Black	Black
Door Color		Stainless Steel	Stainless Steel	Black	Black Stainless Steel
Cavity Interior		Ceramic Enamel	Ceramic Enamel	Ceramic Enamel	Ceramic Enamel
Turntable	Material	Glass	Glass	Glass	Glass
	Size	Diameter 288mm	Diameter 288mm	Diameter 288mm	Diameter 288mm
Grill Heater		Sheath	Sheath	Sheath	Sheath
Carton Box		Yellow	Yellow	Yellow	Yellow
<b>Accessory</b>					
Rack	Round	Yes	Yes	Yes	Yes
Steam Cleaning		Yes	Yes	Yes	Yes
Power Steam Bowl		No	No	No	No
Crusty Tray		Yes	Yes	Yes	Yes
Cooking Guide Label		Yes	Yes	Yes	Yes
<b>Physical Specification</b>					
Dimension (W x H x D)	Cavity	330 x 211 x 324	330 x 211 x 324	330 x 211 x 324	330 x 211 x 324
	Outside	489 x 275 x 392	489 x 275 x 392	489 x 275 x 392	489 x 275 x 392
Weight	Net	14.5kg	14.5kg	14.5kg	14.5kg
	Shipping	19.0kg	19.0kg	19.0kg	19.0kg

# Models

## Microwave Oven



Model Code		FG88SUG	FG77SUST	FG77SUB	FW87SUST
<b>General</b>					
Capacity		0.8 cu.ft. / 23 Liter	0.7 cu.ft. / 20 Liter	0.7 cu.ft. / 20 Liter	0.8 cu.ft. / 23 Liter
Type	Installation	Built-in	Built-in	Built-in	Built-in
	Heat Source	Grill	Grill	Grill	Solo
Power	Power Source	230V / 50Hz	230V / 50Hz	230V / 50Hz	230V / 50Hz
	Output Power (Microwave)	800W	850W	850W	800W
	Output Power (Grill)	1100W	1100W	1100W	NA
	Output Power (Convection)	N/A	N/A	N/A	N/A
	Power Consumption	1200W	1300W	1300W	1150W
Display	Max Output Power	2400W	2400W	2400W	1150W
	Type	LED / Ice Blue	LED / Ice Blue	LED / Ice Blue	LED / Ice Blue
	Language Option	N/A	N/A	N/A	N/A
Sensor		No	No	No	No
Control Method		Tact	Tact	Tact	Tact
Door Open Mechanism		Push Button	Push Button	Push Button	Push Button
MW Distribution Mechanism		Turntable	Turntable	Turntable	Turntable
<b>Features</b>					
Cooking Modes	Microwave Oven	Yes	Yes	Yes	Yes
	Brown / Grill	Yes	Yes	Yes	No
Clock		Yes	Yes	Yes	Yes
Warm		No	No	No	No
Max Cooking Time		99min	99min	99min	99min
Kitchen Timer / Hold Timer		No	No	No	Yes
More / Less		No	No	No	No
Memory Cook		No	No	No	Yes
Power Level		6	6	6	6
Cooking Stages		No	No	No	No
Time Control		Button (+/-)	Button (+/-)	Button (+/-)	Button (+/-)
Weight / Serving Control		Button (+/-)	Button (+/-)	Button (+/-)	Button (+/-)
One Minute / 30 secs Plus		30 secs Plus	30 secs Plus	30 secs Plus	30 secs Plus
Turntable On / Off		No	No	No	No
Defrost (Auto / Power / Sensor / Quick)	Power	Power	Power Defrost (4)	Power Defrost (4)	Power Defrost (1)
	1.Meat	1.Meat	1.Meat	1.Meat	1.Meat
	2.Poultry	2.Poultry	2.Poultry	2.Poultry	2.Poultry
	3.Fish	3.Fish	3.Fish	3.Fish	3.Fish
	4.Bread / Cake	4.Bread / Cake	4.Bread / Cake	4.Bread / Cake	-
Auto Reheat / Cook	1.Ready Meal	1.Ready Meal	1.Ready Meal	1.Ready Meal	1.Ready Meal (Chilled)
	2.Soup / Sauce	2.Soup / Sauce	2.Soup / Sauce	2.Soup / Sauce	2.Ready Meal (Frozen)
	3.Pasta Gratin	3.Pasta Gratin	3.Pasta Gratin	3.Pasta Gratin	3 Drinks
	4.Drinks	4.Drinks	4.Drinks	4.Drinks	-
Auto Crusty Cook	Crusty Cook (4)	Crusty Cook (4)	Crusty Cook (4)	Crusty Cook (4)	No
	1.Frozen Pizza	1.Frozen Pizza	1.Frozen Pizza	1.Frozen Pizza	-
	2.Frozen Baguettes	2.Frozen Baguettes	2.Frozen Baguettes	2.Frozen Baguettes	-
	3.Frozen Quiche / Pie	3.Frozen Quiche / Pie	3.Frozen Quiche / Pie	3.Frozen Quiche / Pie	-
Auto Power Steam Cook	4.Frozen Chicken Nuggets	4.Frozen Chicken Nuggets	4.Frozen Chicken Nuggets	4.Frozen Chicken Nuggets	-
	No	No	No	No	Power Steam Cook (4)
	-	-	-	-	1.Rice
	-	-	-	-	2.Peeled Potatoes
-	-	-	-	3.Fresh Vegetables	
-	-	-	-	4. Fruit Compote	
Sensor Cook		No	No	No	No
Deodorization		No	No	No	Yes
Setting (My Choice)	Weight Option	No	No	No	No
	Sound Option	Yes	Yes	Yes	Yes
	Reminder End Signal	Yes	Yes	Yes	Yes
	Clock System Option (12H / 24H)	Yes	Yes	Yes	Yes
	Child Lock	Yes (Hidden)	Yes (Hidden)	Yes (Hidden)	Yes (Hidden)
<b>Materials &amp; Finishes</b>					
Cabinet Color		Stainless Steel	Stainless Steel	Stainless Steel	Stainless Steel
Door Color		Black Stainless Steel	Stainless Steel	Stainless Steel	Stainless Steel
Cavity Interior		Ceramic Enamel	Ceramic Enamel	Ceramic Enamel	Ceramic Enamel
Turntable	Material	Glass	Glass	Glass	Glass
	Size	Diameter 288mm	Diameter 255mm	Diameter 255mm	Diameter 288mm
Grill Heater		Sheath	Sheath	Sheath	N/A
Carton Box		Yellow	Yellow	Yellow	Yellow
<b>Accessory</b>					
Rack	Round	Yes	Yes	Yes	No
Steam Cleaning		Yes	Yes	Yes	No
Power Steam Bowl		No	No	No	Yes
Crusty Tray		Yes	Yes	Yes	No
Cooking Guide Label		Yes	Yes	Yes	Yes
<b>Physical Specification</b>					
Dimension (W x H x D)	Cavity	330 x 211 x 324	330 x 211 x 291	330 x 211 x 291	330 x 211 x 291
	Outside	489 x 275 x 392	489 x 275 x 326	489 x 275 x 326	489 x 275 x 326
Weight	Net	13.5kg	13.5kg	13.5kg	12.5kg
	Shipping	17.5kg	17.5kg	17.5kg	17.0kg

# Models

## Microwave Oven



Model Code		FW87SUB	FW77SUST	FW77SUB
<b>General</b>				
Capacity		0.8 cu.ft. / 23 Liter	0.7 cu.ft. / 20 Liter	0.7 cu.ft. / 20 Liter
Type	Installation	Built-in	Built-in (Trim Kit)	Built-in (Trim Kit)
	Heat Source	Solo	Solo	Solo
Power	Power Source	0	230V / 50Hz	230V / 50Hz
	Output Power (Microwave)	800W	850W	850W
	Output Power (Grill)	N/A	N/A	N/A
	Output Power (Convection)	N/A	N/A	N/A
	Power Consumption	1150W	1250W	1250W
	Max Output Power	1150W	1150W	1150W
Display	Type	LED / Ice Blue	LED / Ice Blue	LED / Ice Blue
	Language Option	N/A	N/A	N/A
Sensor		No	No	No
Control Method		Tact	Tact	Tact
Door Open Mechanism		Push Button	Push Button	Push Button
MW Distribution Mechanism		Turntable	Turntable	Turntable
<b>Features</b>				
Cooking Modes	Microwave Oven	Yes	Yes	Yes
	Brown / Grill	No	No	No
Clock		Yes	Yes	Yes
Warm		No	No	No
Max Cooking Time		99min	99min	99min
Kitchen Timer / Hold Timer		Yes	Yes	Yes
More / Less		No	No	No
Memory Cook		Yes	Yes	Yes
Power Level		6	6	6
Cooking Stages		No	No	No
Time Control		Button (+/-)	Button (+/-)	Button (+/-)
Weight / Serving Control		Button (+/-)	Button (+/-)	Button (+/-)
One Minute / 30 secs Plus		30 secs Plus	30 secs Plus	30 secs Plus
Turntable On / Off		No	No	No
Defrost (Auto / Power / Sensor / Quick)		Power Defrost (1) 1.Meat 2.Poultry 3.Fish -	Power 1.Meat 2.Poultry 3.Fish -	Power 1.Meat 2.Poultry 3.Fish -
Auto Reheat / Cook		1.Ready Meal (Chilled) 2.Ready Meal (Frozen) 3 Drinks -	1.Ready Meal (Chilled) 2.Ready Meal (Frozen) 3 Drinks -	1.Ready Meal (Chilled) 2.Ready Meal (Frozen) 3 Drinks -
Auto Crusty Cook		No - - -	No - - -	No - - -
Auto Power Steam Cook		Power Steam Cook (4) 1.Rice 2.Peeled Potatoes 3.Fresh Vegetables 4. Fruit Compote	Power Steam Cook (4) 1.Rice 2.Peeled Potatoes 3.Fresh Vegetables 4. Fruit Compote	Power Steam Cook (4) 1.Rice 2.Peeled Potatoes 3.Fresh Vegetables 4. Fruit Compote
Sensor Cook		No	No	No
Deodorization		Yes	Yes	Yes
Setting (My Choice)	Weight Option	No	No	No
	Sound Option	Yes	Yes	Yes
	Reminder End Signal	Yes	Yes	Yes
	Clock System Option (12H / 24H)	Yes	Yes	Yes
	Child Lock	Yes (Hidden)	Yes (Hidden)	Yes (Hidden)
<b>Materials &amp; Finishes</b>				
Cabinet Color		Black	Black	Black
Door Color		Black	Stainless Steel	Black
Cavity Interior		Ceramic Enamel	Ceramic Enamel	Ceramic Enamel
Turntable	Material	Glass	Glass	Glass
	Size	Diameter 288mm	Diameter 255mm	Diameter 255mm
Grill Heater		N/A	N/A	N/A
Carton Box		Yellow	Yellow	Yellow
<b>Accessory</b>				
Rack	Round	No	No	No
Steam Cleaning		No	No	No
Power Steam Bowl		Yes	Yes	Yes
Crusty Tray		No	No	No
Cooking Guide Label		Yes	Yes	Yes
<b>Physical Specification</b>				
Dimension (W x H x D)	Cavity	330 x 211 x 291	330 x 211 x 291	330 x 211 x 291
	Outside	489 x 275 x 326	489 x 275 x 312	489 x 275 x 326
Weight	Net	12.5kg	12.5kg	12.5kg
	Shipping	17.0kg	17.0kg	17.0kg

# Models

## Induction Cooktop



Model Code		NZ84J9770EK	NZ84F7NC6AB	NZ63N9777GK	NZ64N9777GK	
Type		NZ9900J	NZ-F700G	NZ6000K Smart	NZ6000K Smart	
<b>Dimensions (W x D x H)</b>						
	Outside (Max.)	800 x 520 x 56	800 x 520 x 56	600 x 520 x 56	600 x 520 x 56	
	Packing	902 x 594 x 139	900 x 582 x 146	712 x 594 x 149	712 x 594 x 149	
	Cut-out Size	750 x 490	750 x 490	560 x 490	560 x 490	
<b>Features</b>						
Surface	Frame	3 Bevel	3 Bevel	1 Bevel	1 Bevel	
Packing Case Color		Yellow	Yellow	Yellow	Yellow	
Display	Control Method	Magnetic Knob	Dedicated Control	Common Control	Common Control	
	Type	Integrated Knob Dial	Sliding & Direct Access	Sliding & Direct Access	Sliding & Direct Access	
Power	LED Color	Ice Blue	New Amber	Ice Blue	Ice Blue	
	Virtual Flame	Ice Blue	N/A	Ice Blue	Ice Blue	
	140mm	No	No	No	No	
	145mm	No	1.2 / 2.0K(B)	No	1.4 / 2.0K(B)	
	160mm	1.2 / 2.0K(B)	No	No	No	
	180mm	No	No	No	No	
	210mm	No	No	2.2 / 3.2K(B)	2.2 / 3.2K(B)	
	220mm	2.2 / 3.2K(B)	No	No	No	
	280mm	No	2.4 / 3.6K(B)	No	No	
	Flex Zone (Front)	1.8 / 2.6K(B)	1.8 / 2.6K(B)	1.8 / 2.6K(B)	1.8 / 2.6K(B)	
Flex Zone (Center)	No	No	1.8 / 3.0K(B)	1.8 / 3.0K(B)		
Flex Zone (Rear)	1.8 / 2.6K(B)	1.8 / 2.6K(B)	1.8 / 2.6K(B)	1.8 / 2.6K(B)		
Flex Zone TOT	3.3 / 3.6K(B)	3.3 / 3.6K(B)	3.3 / 3.6K(B)	3.3 / 3.6K(B)		
Total Power	7.0kW	7.2kW	6.8kW	7.2kW		
Safety Function	Q'ty of Booster	4	4	3	4	
	Residual Heat Indicator	2 Stage	2 Stage	2 Stage	2 Stage	
	Small Utensil Detection	Yes	Yes	Yes	Yes	
	Auto Pan Detection	Yes	Yes	Yes	Yes	
	Safety Time Shut Off	Yes	Yes	Yes	Yes	
	Safety Shut Off	Yes	Yes	Yes	Yes	
	Child Safety Lock	Yes	Yes	Yes	Yes	
	High Temp Limit	Yes	Yes	Yes	Yes	
	Control Feature	Wifi	No	No	Yes	Yes
		Bluetooth	No	No	Yes	Yes
Sound On / Off Hidden Lock		Yes	Yes	Yes	Yes	
Power Level		15 + Booster	15 + Booster	15 + Booster	15 + Booster	
Timer		99min	99min	99min	99min	
Power Control		Yes	Yes	Yes	Yes	
Direct Access		Yes	Yes	Yes	Yes	
Power On / Off		Yes	Yes	Yes	Yes	
Pan Grilling		No	No	No	No	
Pause		Yes	Yes	Yes	Yes	
Quick Start		Yes	No	Yes	Yes	
Demo Mode		Yes	Yes	Yes	Yes	
Quick Stop		Yes	Yes	Yes	Yes	
Keep Warm		Yes	Yes	Yes	Yes	
Up Timer		Yes	No	No	No	
Down Timer	Yes	No	Yes	Yes		
Energy Eff.	Stand By Power Consumption	Under 0.5W	Under 0.5W	Under 0.5W	Under 0.5W	
	Network Stand By	No	No	Under 2W	Under 2W	
Noise	Noise Level (Operating)	Under 43dB	Under 43dB	Under 43dB	Under 43dB	
	Power Cable	5 Wire	5 Wire	5 Wire	5 Wire	
Power	Power Cable Length	1.5m	1.5m	1.5m	1.5m	
	Max. Power Limit	No	No	Yes (3000W / 4000W / MAX.)	Yes (3000W / 4000W / MAX.)	
Weight	Net / Gross	16.5Kg / 19.5Kg	15.5Kg / 18.7Kg	12.6Kg / 15.5Kg	13.2Kg / 16.1Kg	
Dimension	Flex Size	225 x 435mm	195 x 390mm	240 x 380mm	240 x 380mm	

# Models

## Induction Cooktop



Model Code		NZ64N9777BK	NZ63J9770EK	NZ64N7777GK	NZ64N7757GK	
Type		NZ6000K Smart	NZ9900J	NZ6000K Smart	NZ6000K Smart	
<b>Dimensions (W x D x H)</b>						
	Outside (Max.)	600 x 520 x 56	600 x 520 x 56	600 x 520 x 56	600 x 520 x 56	
	Packing	712 x 594 x 149	712 x 594 x 142	712 x 594 x 149	712 x 594 x 149	
	Cut-out Size	560 x 490	560 x 490	560 x 490	560 x 490	
<b>Features</b>						
Surface	Frame	1 Bevel	3 Bevel	1 Bevel	1 Bevel	
Packing Case Color		Yellow	Yellow	Yellow	Yellow	
Display	Control Method	Common Control	Magnetic Knob	Common Control	Common Control	
	Type	Sliding & Direct Access	Integrated Knob Dial	Sliding & Direct Access	Sliding & Direct Access	
	LED Color	Ice Blue	Ice Blue	New Amber	New Amber	
	Virtual Flame	Ice Blue	Ice Blue	Amber	N/A	
Power	140mm	No	No	No	No	
	145mm	1.4 / 2.0K(B)	No	1.4 / 2.0K(B)	1.4 / 2.0K(B)	
	160mm	No	No	No	No	
	180mm	No	No	No	No	
	210mm	2.2 / 3.2K(B)	No	2.2 / 3.2K(B)	2.2 / 3.2K(B)	
	220mm	No	2.2 / 3.2K(B)	No	No	
	280mm	No	No	No	No	
		Flex Zone (Front)	1.8 / 2.6K(B)	1.8 / 2.6K(B)	1.8 / 2.6K(B)	1.8 / 2.6K(B)
		Flex Zone (Center)	1.8 / 3.0K(B)	No	1.8 / 3.0K(B)	1.8 / 3.0K(B)
	Flex Zone (Rear)	1.8 / 2.6K(B)	1.8 / 2.6K(B)	1.8 / 2.6K(B)	1.8 / 2.6K(B)	
	Flex Zone TOT	3.3 / 3.6K(B)	3.3 / 3.6K(B)	3.3 / 3.6K(B)	3.3 / 3.6K(B)	
	Total Power	7.2kW	6.8kW	7.2kW	7.2kW	
	Qty of Booster	4	3	4	4	
Safety Function	Residual Heat Indicator	2 Stage	2 Stage	2 Stage	2 Stage	
	Small Utensil Detection	Yes	Yes	Yes	Yes	
	Auto Pan Detection	Yes	Yes	Yes	Yes	
	Safety Time Shut Off	Yes	Yes	Yes	Yes	
	Safety Shut Off	Yes	Yes	Yes	Yes	
	Child Safety Lock	Yes	Yes	Yes	Yes	
	High Temp Limit	Yes	Yes	Yes	Yes	
	Wifi	No	No	Yes	Yes	
Control Feature	Bluetooth	Yes	No	Yes	Yes	
	Sound On / Off Hidden Lock	Yes	Yes	Yes	Yes	
	Power Level	15 + Booster	15 + Booster	15 + Booster	15 + Booster	
	Timer	99min	99min	99min	99min	
	Power Control	Yes	Yes	Yes	Yes	
	Direct Access	Yes	Yes	Yes	Yes	
	Power On / Off	Yes	Yes	Yes	Yes	
	Pan Grilling	No	No	No	No	
	Pause	Yes	Yes	Yes	Yes	
	Quick Start	Yes	Yes	Yes	Yes	
	Demo Mode	Yes	Yes	Yes	Yes	
	Quick Stop	Yes	Yes	Yes	Yes	
	Keep Warm	Yes	Yes	Yes	Yes	
	Up Timer	No	Yes	No	No	
	Down Timer	Yes	Yes	Yes	Yes	
	Energy Eff.	Stand By Power Consumption	Under 0.5W	Under 0.5W	Under 0.5W	Under 0.5W
Network Stand By		No	No	Under 2W	Under 2W	
Noise	Noise Level (Operating)	Under 43dB	Under 43dB	Under 43dB	Under 43dB	
Power Cable	Power Cable Type	5 Wire	5 Wire	5 Wire	5 Wire	
	Power Cable Length	1.5m	1.5m	1.5m	1.5m	
Power	Max. Power Limit	Yes (3000W / 4000W / MAX.)	No	Yes (3000W / 4000W / MAX.)	Yes (3000W / 4000W / MAX.)	
Weight	Net / Gross	13.2Kg / 16.1Kg	13.4Kg / 15.9Kg	13.2Kg / 16.1Kg	13Kg / 15.9Kg	
Dimension	Flex Size	240 x 380mm	225 x 435mm	240 x 380mm	240 x 380mm	



# Models

## Induction Cooktop



Model Code		NZ64N7757FK	NZ64K7757BK	NZ64K5747BK	NZ64H37075K	
Type		NZ6000K Smart	NZ6000K	NZ6000K	NZ3000H	
<b>Dimensions (W x D x H)</b>						
	Outside (Max.)	600 x 520 x 56	600 x 520 x 56	600 x 520 x 56	590 x 520 x 57	
	Packing	712 x 594 x 149	712 x 594 x 142	712 x 594 x 142	690 x 645 x 115	
	Cut-out Size	560 x 490	560 x 490	560 x 490	560 x 490	
<b>Features</b>						
Surface	Frame	Cut Edge	1 Bevel	1 Bevel	4 Stainless Steel	
Packing Case Color		Yellow	Yellow	Yellow	Yellow	
Display	Control Method	Common Control	Common Control	Common Control	Common Control	
	Type	Sliding & Direct Access	Sliding & Direct Access	Sliding & Direct Access	Sliding	
	LED Color	New Amber	Amber	Amber	New Amber	
	Virtual Flame	N/A	No	No	N/A	
Power	140mm	No	No	No	1.25 / 1.5K(B) x 2	
	145mm	1.4/2.0K(B)	1.4 / 2.0K(B)	1.4 / 2.0K(B)	No	
	160mm	No	No	No	No	
	180mm	No	No	No	No	
	210mm	2.2/3.2K(B)	2.2 / 3.2K(B)	2.2 / 3.2K(B)	No	
	220mm	No	No	No	2.35 / 2.6K(B) x 2	
	280mm	No	No	No	No	
		Flex Zone (Front)	1.8 / 2.6K(B)	1.8 / 2.6K(B)	1.8 / 2.6K(B)	No
	Flex Zone (Center)	1.8 / 3.0K(B)	1.8 / 3.0K(B)	No	No	
	Flex Zone (Rear)	1.8 / 2.6K(B)	1.8 / 2.6K(B)	1.8 / 2.6K(B)	No	
	Flex Zone TOT	3.3 / 3.6K(B)	3.3 / 3.6K(B)	3.3 / 3.6K(B)	No	
	Total Power	7.2kW	7.2kW	7.2kW	7.2kW	
	Q'ty of Booster	4	4	4	4	
Safety Function	Residual Heat Indicator	2 Stage	2 Stage	2 Stage	1 Stage	
	Small Utensil Detection	Yes	Yes	Yes	Yes	
	Auto Pan Detection	Yes	Yes	Yes	Yes	
	Safety Time Shut Off	Yes	Yes	Yes	Yes	
	Safety Shut Off	Yes	Yes	Yes	Yes	
	Child Safety Lock	Yes	Yes	Yes	Yes	
	High Temp Limit	Yes	Yes	Yes	Yes	
	Control Feature	Wifi	Yes	No	No	No
		Bluetooth	Yes	No	No	No
		Sound On / Off Hidden Lock	Yes	Yes	Yes	No
	Power Level	15 + Booster	15 + Booster	15 + Booster	9 + Booster	
	Timer	99min	99min	99min	99min	
	Power Control	Yes	Yes	Yes	Yes	
	Direct Access	Yes	Yes	Yes	Boost Level Only	
	Power On / Off	Yes	Yes	Yes	Yes	
	Pan Grilling	No	No	No	No	
	Pause	Yes	Yes	Yes	No	
	Quick Start	Yes	Yes	Yes	No	
	Demo Mode	Yes	Yes	Yes	No	
	Quick Stop	Yes	Yes	Yes	Yes	
	Keep Warm	Yes	Yes	Yes	No	
	Up Timer	No	Yes	Yes	No	
	Down Timer	Yes	Yes	Yes	Yes	
Energy Eff.	Stand By Power Consumption	Under 0.5W	Under 0.5W	Under 0.5W	Under 0.5W	
	Network Stand By	Under 2W	No	No	No	
Noise	Noise Level (Operating)	Under 43dB	Under 43dB	Under 43dB	Under 43dB	
Power Cable	Power Cable Type	5 Wire	5 Wire	5 Wire	5 Wire	
	Power Cable Length	1.5m	1.5m	1.5m	1.5m	
Power	Max. Power Limit	Yes (3000W / 4000W / MAX.)	Yes (3000W / 4000W / MAX.)	Yes (3000W / 4000W / MAX.)	No	
Weight	Net / Gross	13Kg / 15.9Kg	13.2Kg / 16.0Kg	12.7Kg / 15.5Kg	10.7Kg / 12.2Kg	
Dimension	Flex Size	240 x 380mm	240 x 380mm	200 x 380mm	No	

# Models Induction Cooktop



Model Code		NZ64H37070K	NZ63H37070K	NZ63F3NM1AB	NZ64F3NM1AB
Type		NZ3000H	NZ3000H	NZ-F300G	NZ-F300G
<b>Dimensions (W x D x H)</b>					
	Outside (Max.)	590 x 520 x 57	590 x 520 x 57	590 x 520 x 57	590 x 520 x 57
	Packing	690 x 645 x 115	690 x 645 x 115	690 x 645 x 115	690 x 645 x 115
	Cut-out Size	560 x 490	560 x 490	560 x 490	560 x 490
<b>Features</b>					
Surface	Frame	Cut Edge	Cut Edge	Cut Edge	Cut Edge
Packing Case Color		Yellow	Yellow	Yellow	Yellow
Display	Control Method	Common Control	Common Control	Common Control	Common Control
	Type	Sliding	Sliding	Glass Touch (+/-)	Glass Touch (+/-)
	LED Color	New Amber	New Amber	New Amber	New Amber
	Virtual Flame	N/A	N/A	N/A	N/A
Power	140mm	1.25 / 1.5K(B) x 2	1.2 / 1.5K(B)	1.2 / 1.5K(B)	1.25 / 1.5K(B) x 2
	145mm	No	No	No	No
	160mm	No	No	No	No
	180mm	No	2.3 / 2.6K(B)	2.3 / 2.6K(B)	No
	210mm	No	No	No	No
	220mm	2.35 / 2.6K(B) x 2	No	No	2.35 / 2.6K(B) x 2
	280mm	No	3.0 / 4.0K(B)	3.0 / 4.0K(B)	No
	Flex Zone (Front)	No	No	No	No
	Flex Zone (Center)	No	No	No	No
	Flex Zone (Rear)	No	No	No	No
	Flex Zone TOT	No	No	No	No
	Total Power	7.2kW	7.2kW	7.2kW	7.2kW
Safety Function	Q'ty of Booster	4	3	3	4
	Residual Heat Indicator	1 Stage	1 Stage	1 Stage	1 Stage
	Small Utensil Detection	Yes	Yes	Yes	Yes
	Auto Pan Detection	Yes	Yes	Yes	Yes
	Safety Time Shut Off	Yes	Yes	Yes	Yes
	Safety Shut Off	Yes	Yes	Yes	Yes
	Child Safety Lock	Yes	Yes	Yes	Yes
	High Temp Limit	Yes	Yes	Yes	Yes
	Wifi	No	No	No	No
Control Feature	Bluetooth	No	No	No	No
	Sound On / Off Hidden Lock	No	No	No	No
	Power Level	9 + Booster	9 + Booster	9 + Booster	9 + Booster
	Timer	99min	99min	99min	99min
	Power Control	Yes	Yes	Yes	Yes
	Direct Access	Boost Level Only	Boost Level Only	Boost Level Only	Boost Level Only
	Power On / Off	Yes	Yes	Yes	Yes
	Pan Grilling	No	No	No	No
	Pause	No	No	No	No
	Quick Start	No	No	No	No
	Demo Mode	No	No	No	No
	Quick Stop	Yes	Yes	Yes	Yes
	Keep Warm	No	No	No	No
	Up Timer	No	No	No	No
	Down Timer	Yes	Yes	Yes	Yes
Energy Eff.	Stand By Power Consumption	Under 0.5W	Under 0.5W	Under 0.5W	Under 0.5W
	Network Stand By	No	No	No	No
Noise	Noise Level (Operating)	Under 43dB	Under 43dB	Under 43dB	Under 43dB
Power Cable	Power Cable Type	5 Wire	5 Wire	5 Wire	5 Wire
	Power Cable Length	1.5m	1.5m	1.5m	1.5m
Power	Max. Power Limit	No	No	No	No
Weight	Net / Gross	10.5Kg / 12.0Kg	10.6Kg / 12.1Kg	10.6Kg / 12.1Kg	10.5Kg / 12.0Kg
Dimension	Flex Size	No	No	No	No

# Models

## Induction Cooktop



Model Code		NZ63M3707AK	NZ64M3707AK	NZ64N3707AS	NZ63M3NM1BB
Type		NZ3000H	NZ3000H	NZ3000H	NZ-F300G
<b>Dimensions (W x D x H)</b>					
	Outside (Max.)	590 x520 x 57	590 x 520 x 57	590x520x57	590 x 520 x 57
	Packing	690 x 645 x 115	690 x 645 x 115	690x645x115	690 x 645 x 115
	Cut-out Size	560 x 490	560 x 490	560*490	560 x 490
<b>Features</b>					
Surface	Frame	Cut Edge	Cut Edge	4 Stainless Steel	Cut Edge
Packing Case Color		Yellow	Yellow	Yellow	Yellow
Display	Control Method	Common Control	Common Control	Common Control	Common Control
	Type	Sliding	Sliding	Sliding	Glass Touch (+/-)
Power	LED Color	New Amber	New Amber	New Amber	New Amber
	Virtual Flame	N/A	N/A	N/A	N/A
	140mm	1.2 / 1.5K(B)	1.25 / 1.5K(B) x 2	1.25/1.5K(B) x 2	1.2 / 1.5K(B)
	145mm	No	No	No	No
	160mm	No	No	No	No
	180mm	2.3 / 2.6K(B)	No	No	2.3 / 2.6K(B)
	210mm	No	No	No	No
	220mm	No	2.35 / 2.6K(B) x 2	2.35/2.6K(B) x 2	No
	280mm	3.0 / 4.0K(B)	No	No	3.0 / 4.0K(B)
Safety Function	Flex Zone (Front)	No	No	No	No
	Flex Zone (Center)	No	No	No	No
	Flex Zone (Rear)	No	No	No	No
	Flex Zone TOT	No	No	No	No
	Total Power	7.2kW	7.2kW	7.2kW	7.2kW
	Q'ty of Booster	3	4	4	3
	Residual Heat Indicator	1 Stage	1 Stage	1 Stage	1 Stage
	Small Utensil Detection	Yes	Yes	Yes	Yes
	Auto Pan Detection	Yes	Yes	Yes	Yes
Control Feature	Safety Time Shut Off	Yes	Yes	No	Yes
	Safety Shut Off	Yes	Yes	Yes	Yes
	Child Safety Lock	Yes	Yes	Yes	Yes
	High Temp Limit	Yes	Yes	Yes	Yes
	Wifi	No	No	No	No
	Bluetooth	No	No	No	No
	Sound On / Off Hidden Lock	No	No	No	No
	Power Level	9 + Booster	9 + Booster	9 + Booster	9 + Booster
	Timer	99min	99min	99min	99min
	Power Control	Yes	Yes	Yes	Yes
Energy Eff.	Direct Access	Boost Level Only	Boost Level Only	Boost Level Only	Boost Level Only
	Power On / Off	Yes	Yes	Yes	Yes
	Pan Grilling	No	No	No	No
	Pause	No	No	No	No
	Quick Start	No	No	No	No
	Demo Mode	No	No	No	No
	Quick Stop	Yes	Yes	Yes	Yes
	Keep Warm	No	No	No	No
	Up Timer	No	No	No	No
	Down Timer	Yes	Yes	Yes	Yes
Noise	Stand By Power Consumption	Under 0.5W	Under 0.5W	Under 0.5W	Under 0.5W
	Network Stand By	No	No	No	No
Power Cable	Noise Level (Operating)	Under 43dB	Under 43dB	Under 43dB	Under 43dB
	Power Cable Type	5 Wire	5 Wire	5 Wire	5 Wire
Power	Power Cable Length	1.5m	1.5m	1.5m	1.5m
	Max. Power Limit	No	No	No	No
Weight	Net / Gross	10.6Kg / 12.1Kg	10.5Kg / 12.0Kg	10.5 / 12.0kg	10.6Kg / 12.1Kg
Dimension	Flex Size	No	No	No	No

# Models Induction Cooktop



Model Code		NZ64M3NM1BB	NZ64N3NM1BS
Type		NZ-F300G	NZ3000H
Dimensions (W x D x H)			
	Outside (Max.)	590 x 520 x 57	590 x 520 x 57
	Packing	690 x 645 x 115	690 x 645 x 115
	Cut-out Size	560 x 490	560 x 490
Features			
Surface	Frame	Cut Edge	4 Stainless Steel
Packing Case Color		Yellow	Yellow
Display	Control Method	Common Control	Common Control
	Type	Glass Touch (+/-)	Glass Touch (+/-)
	LED Color	New Amber	New Amber
	Virtual Flame	N/A	N/A
Power	140mm	1.25 / 1.5K(B) x 2	1.25 / 1.5K(B) x 2
	145mm	No	No
	160mm	No	No
	180mm	No	No
	210mm	No	No
	220mm	2.35 / 2.6K(B) x 2	2.35 / 2.6K(B) x 2
	280mm	No	No
	Flex Zone (Front)	No	No
	Flex Zone (Center)	No	No
	Flex Zone (Rear)	No	No
	Flex Zone TOT	No	No
	Total Power	7.2kW	7.2kW
	Qty of Booster	4	4
Safety Function	Residual Heat Indicator	1 Stage	1 Stage
	Small Utensil Detection	Yes	Yes
	Auto Pan Detection	Yes	Yes
	Safety Time Shut Off	Yes	No
	Safety Shut Off	Yes	Yes
	Child Safety Lock	Yes	Yes
	High Temp Limit	Yes	Yes
Control Feature	Wifi	No	No
	Bluetooth	No	No
	Sound On / Off Hidden Lock	No	No
	Power Level	9 + Booster	9 + Booster
	Timer	99min	99min
	Power Control	Yes	Yes
	Direct Access	Boost Level Only	Boost Level Only
	Power On / Off	Yes	Yes
	Pan Grilling	No	No
	Pause	No	No
	Quick Start	No	No
	Demo Mode	No	No
	Quick Stop	Yes	Yes
	Keep Warm	No	No
	Up Timer	No	No
	Down Timer	Yes	Yes
Energy Eff.	Stand By Power Consumption	Under 0.5W	Under 0.5W
	Network Stand By	No	No
Noise	Noise Level (Operating)	Under 43dB	Under 43dB
Power Cable	Power Cable Type	5 Wire	5 Wire
	Power Cable Length	1.5m	1.5m
Power	Max. Power Limit	No	No
Weight	Net / Gross	10.5Kg / 12.0Kg	10.5Kg / 12.0Kg
Dimension	Flex Size	No	No

# Models

## Ceramic Cooktop



Model Code		CTR164NC01	CTR364NC01	CTR464NC01	CTR464NB01
Model Type Install		Built-in	Built-in	Built-in	Built-in
Mode		2 Single, Double, Oval	2 Single, Double, Oval	2 Single, Double, Oval	2 Single, 2 Fast
Appearance (Frame)		Bevelled Edge	Bevelled Edge	Bevelled Edge	Bevelled Edge
<b>Application Dimensions</b>					
Dimension (W x D x H mm)	Glass	575 x 505 x 4	575 x 505 x 4	575 x 505 x 4	575 x 505 x 4
	Outside (Max.)	575 x 505 x 52.6	575 x 505 x 52.6	575 x 505 x 52.6	575 x 505 x 52.6
Shipping	Shipping	692 x 622 x 130	692 x 622 x 130	692 x 622 x 130	692 x 622 x 130
	Cut-out Size	560 x 490	560 x 490	560 x 490	560 x 490
Weight (Net / Gross)		8.0 / 10.5kg	8.0 / 10.5kg	8.0 / 10.5kg	7.5 / 10.0kg
L / Q'TY (20 / 40ft)		459 / 918	459 / 918	459 / 918	459 / 918
<b>Features</b>					
Control Method	Control Method	Sliding Control	Touch Control	Touch Control	Touch Control
	Display	LED	LED	LED	LED
Heating Element	Single 148mm	1.2kW	1.2kW	1.2kW	1.2kW
	Single 180mm	No	No	No	1.8kW
	Double (120 / 210mm)	0.75 / 2.2kW	0.75 / 2.2kW	0.75 / 2.2kW	No
	Oval (170 / 265mm)	1.5-1.6 / 2.4kW	1.5-1.6 / 2.4kW	1.5-1.6 / 2.4kW	No
	Double (120 / 183mm)	No	No	No	No
	Triple (120 / 175 / 215mm)	No	No	No	No
Residual Heat Indicator	Total Power	7.0kW	7.0kW	7.0kW	6.0kW
	Residual Heat Indicator	Yes	Yes	Yes	Yes
Scraper		Yes	Yes	Option	NA
Control Feature	Child Safety Lock	Yes	Yes	Yes	Yes
	Power Level	9	9	9	9
	Timer	99min	99min	99min	NA
	Power Control	Yes	Yes	Yes	Yes
	High Temp. Protector	Yes	Yes	Yes	Yes
	Power On / Off	Yes	Yes	Yes	Yes

# Models

## Ceramic Cooktop



Model Code		CTR432NB02
Model Type Install		Built-in
Mode		1 Single, 1 Fast
Appearance (Frame)		2-Bevelled Edge
<b>Application Dimensions</b>		
Dimension (W x D x H mm)	Glass	288 x 505 x 4
	Outside (Max.)	288 x 505 x 50
	Shipping	430 x 640 x 160
	Cut-out Size	273 x 490
Weight (Net / Gross)		4.3 / 6.0kg
L / Q'TY (20 / 40ft)		719 / 1477
<b>Features</b>		
	Control Method	Touch Control
	Display	LED
Heating Element	Single 148mm	1.2kW
	Single 180mm	1.8kW
	Double (120 / 210mm)	No
	Oval (170 / 265mm)	No
	Double (120 / 183mm)	No
	Triple (120 / 175 / 215mm)	No
	Total Power	3.0kW
Residual Heat Indicator		Yes
Scraper		NA
Control Feature	Child Safety Lock	Yes
	Power Level	9
	Timer	99min
	Power Control	Yes
	High Temp. Protector	Yes
	Power On / Off	Yes

# Models

## Gas Cooktop



Model Code		NA75J3030AS	NA75M3130AS	NA64H3040AS	NA64H3030AS
		Square	Square	Square	Square
<b>Main Specifications</b>					
Width (cm)		75	75	60	60
Gas Cooking Zones		5	5	4	4
Color		Stainless Steel	Stainless Steel	Stainless Steel	Stainless Steel
Pan Supports		Cast-iron	Enamel Grate	Cast-iron	Cast-iron
		(Wok Pan Support Included)		(Wok Pan Support Included)	(Wok Pan Support Included)
Wok Grate		Wok	No	Wok	Wok
Knob Design		Neo	Neo	Neo	Neo
<b>Burner Features</b>					
Gas	Triple Crown	3.8kW x 1	3.8kW x 1	4.0kW x 1	3.8kW x 1
	Rapid	3.0kW x 1	3.0kW x 1	3.3kW x 1	3.3kW x 1
	Semi-rapid	2.0kW x 1	2.0kW x 2	2.0kW x 1	2.0kW x 1
	Auxiliary	1.0kW x 1	1.0kW x 1	1.0kW x 1	1.0kW x 1
	Total	11.8kW	11.8kW	10.3kW	10.1kW
<b>Safety Functions</b>					
Flame Failure Device		Yes	Yes	Yes	Yes
<b>Convenience</b>					
One Hand Ignition		Yes	Yes	Yes	Yes
<b>Installation / Connection</b>					
Gas Power Consumption (W)		1.0W	1.0W	1.0W	1.0W
Power Cord without Plug		Yes	Yes	Yes	Yes
Power Supply		220~240V, 50 / 60Hz	220~240V, 50 / 60Hz	220~240V, 50 / 60Hz	220~240V, 50 / 60Hz
Delivery Status		Natural Gas	Natural Gas	Natural Gas	Natural Gas
Additional Injectors		LPG Conversion	LPG Conversion	LPG Conversion	LPG Conversion
		Injectors Included	Injectors Included	Injectors Included	Injectors Included
<b>Dimensions / Weight</b>					
Net Weight (kg)		15.6 (Include Wok)	10.5	11.8 (Include Wok)	11.8 (Include Wok)
Cut-out Size (W x L mm)		560 x 480~490	560 x 480~490	560 x 480~490	560 x 480~490
Net Dimension (W x D x H mm)		750 x 510 x 98	750 x 510 x 98	600 x 510 x 90	600 x 510 x 90

# Models Gas Cooktop



Model Code	NA64H3010AS	NA64H3110AS	NA64H3041BS	NA64H3031BS
	Square	Square	Diamond	Diamond
<b>Main Specifications</b>				
Width (cm)	60	60	60	60
Gas Cooking Zones	4	4	4	4
Color	Stainless Steel	Stainless Steel	Stainless Steel	Stainless Steel
Pan Supports	Cast-iron	Enamel	Cast-iron (Wok Pan Support Included)	Cast-iron (Wok Pan Support Included)
Wok Grate	No	No	Wok	Wok
Knob Design	Neo	Neo	Neo	Neo
<b>Burner Features</b>				
Gas	Triple Crown	No	4.0kW x 1	3.8kW x 1
	Rapid	3.3kW x 2	3.3kW x 2	3.3kW x 1
	Semi-rapid	2.0kW x 1	2.0kW x 1	2.0kW x 1
	Auxiliary	1.0kW x 1	1.0kW x 1	1.0kW x 1
	Total	9.6kW	10.3kW	10.1kW
<b>Safety Functions</b>				
Flame Failure Device	Yes	Yes	Yes	Yes
<b>Convenience</b>				
One Hand Ignition	Yes	Yes	Yes	Yes
<b>Installation / Connection</b>				
Gas Power Consumption (W)	1.0W	1.0W	1.0W	1.0W
Power Cord without Plug	Yes	Yes	Yes	Yes
Power Supply	220~240V, 50 / 60Hz	220~240V, 50 / 60Hz	220~240V, 50 / 60Hz	220~240V, 50 / 60Hz
Delivery Status	Natural Gas	Natural Gas	Natural Gas	Natural Gas
Additional Injectors	LPG Conversion Injectors Included	LPG Conversion Injectors Included	LPG Conversion Injectors Included	LPG Conversion Injectors Included
<b>Dimensions / Weight</b>				
Net Weight (kg)	10.6	9.1	12.4 (Include Wok)	12.4 (Include Wok)
Cut-out Size (W x L mm)	560 x 480~490	560 x 480~490	560 x 480~490	560 x 480~490
Net Dimension (W x D x H mm)	600 x 510 x 90	600 x 510 x 91	600 x 510 x 90	600 x 510 x 90



# Models

## Gas Cooktop



Model Code	NA64H3010BS	NA64H3110BS	NA64H3031AK	NA64H3010AK
	Diamond	Diamond	Square	Square
<b>Main Specifications</b>				
Width (cm)	60	60	60	60
Gas Cooking Zones	4	4	4	4
Color	Stainless Steel	Stainless Steel	Black Tempered Glass	Black Tempered Glass
Pan Supports	Cast-iron	Enamel	Cast-iron	Cast-iron
Wok Grate	No	No	(Wok Pan Support Included)	(Wok Pan Support Included)
Knob Design	Neo	Neo	Neo	Neo
<b>Burner Features</b>				
Gas	Triple Crown	No	No	3.8kW x 1
	Rapid	3.3kW x 2	3.3kW x 2	No
	Semi-rapid	2.0kW x 1	2.0kW x 1	2.0kW x 2
	Auxiliary	1.0kW x 1	1.0kW x 1	1.0kW x 1
	Total	9.6kW	9.6kW	8.8kW
<b>Safety Functions</b>				
Flame Failure Device	Yes	Yes	Yes	Yes
<b>Convenience</b>				
One Hand Ignition	Yes	Yes	Yes	Yes
<b>Installation / Connection</b>				
Gas Power Consumption (W)	1.0W	1.0W	1.0W	1.0W
Power Cord without Plug	Yes	Yes	Yes	Yes
Power Supply	220~240V, 50 / 60Hz	220~240V, 50 / 60Hz	220~240V, 50 / 60Hz	220~240V, 50 / 60Hz
Delivery Status	Natural Gas	Natural Gas	Natural Gas	Natural Gas
Additional Injectors	LPG Conversion	LPG Conversion	LPG Conversion	LPG Conversion
	Injectors Included	Injectors Included	Injectors Included	Injectors Included
<b>Dimensions / Weight</b>				
Net Weight (kg)	11.2	9.5	16.6 (Include Wok)	15.7 (Include Wok)
Cut-out Size (W x L mm)	560 x 480~490	560 x 480~490	560 x 480~490	560 x 480~490
Net Dimension (W x D x H mm)	600 x 510 x 90	600 x 510 x 91	600 x 520 x 99	600 x 520 x 99

# Models

## Gas Cooktop



Model Code	NA64H3000AK	NA64H3010CK	NA64H3030BK	NA64H3010BK
	Square	Square	Diamond	Diamond
<b>Main Specifications</b>				
Width (cm)	60	60	60	60
Gas Cooking Zones	4	4	4	4
Color	Black Tempered Glass	Black Tempered Glass	Black Tempered Glass	Black Tempered Glass
Pan Supports	Cast-iron	Cast-iron	Cast-iron	Cast-iron
		(Wok Pan Support Included)	(Wok Pan Support Included)	(Wok Pan Support Included)
Wok Grate	No	Wok	Wok	Wok
Knob Design	Neo	Retro	Neo	Neo
<b>Burner Features</b>				
Gas	Triple Crown	No	3.8kW x 1	No
	Rapid	3.0kW x 1	No	3.3kW x 1
	Semi-rapid	2.0kW x 2	2.0kW x 2	2.0kW x 2
	Auxiliary	1.0kW x 1	1.0kW x 1	1.0kW x 1
	Total	8.0kW	8.8kW	8.3kW
<b>Safety Functions</b>				
Flame Failure Device	Yes	Yes	Yes	Yes
<b>Convenience</b>				
One Hand Ignition	Yes	Yes	Yes	Yes
<b>Installation / Connection</b>				
Gas Power Consumption (W)	1.0W	1.0W	1.0W	1.0W
Power Cord without Plug	Yes	Yes	Yes	Yes
Power Supply	220~240V, 50 / 60Hz	220~240V, 50 / 60Hz	220~240V, 50 / 60Hz	220~240V, 50 / 60Hz
Delivery Status	Natural Gas	Natural Gas	Natural Gas	Natural Gas
Additional Injectors	LPG Conversion	LPG Conversion	LPG Conversion	LPG Conversion
	Injectors Included	Injectors Included	Injectors Included	Injectors Included
<b>Dimensions / Weight</b>				
Net Weight (kg)	14.8	15.7 (Include Wok)	17.2 (Include Wok)	16.3 (Include Wok)
Cut-out Size (W x L mm)	560 x 480~490	560 x 490	560 x 480~490	560 x 490
Net Dimension (W x D x H mm)	600 x 520 x 99	600 x 520 x 99	600 x 520 x 99	600 x 520 x 99

# Models Hood



Model Code	NK36N9804VB	NK24N9804VB
Type	Vertical (Glass)	Vertical (Glass)
<b>Main Specifications</b>		
References	Glass / Painted Body	Glass / Painted Body
Size (cm)	90	60
Model Type Install	Wall-mount	Wall-mount
<b>Technical Specifications</b>		
Type of Controls	Touch control (DGT)	Touch control (DGT)
Energy Efficiency Class	A+	A+
Display Color	Ice Blue	Ice Blue
Extraction Type	Ducting or Recirculating	Ducting or Recirculating
Number of Motors / Fans	1 / 1	1 / 1
Number of Extraction Speeds	4 (3 + Booster)	4 (3 + Booster)
Max Extraction (m <sup>3</sup> / hr)	560	560
Boost Extraction (m <sup>3</sup> / hr)	737	737
Max Sound Power (dBA)	66	66
Boost Sound Power (dBA)	72	72
Lighting	1 x 7W LED Bar	1 x 7W LED Bar
Number of Metallic Filter (Aluminium)	2	1
Number of Charcoal Filter	2	2
Total Power of Connection (W)	167	167
Ducting Diameter (mm)	150	150
Clean Air	No	No
Saturation Filter Lamps	Yes	Yes
Timer	Yes	Yes
Booster	Yes	Yes
Air Diverter	No	No
Charcoal Filter	Yes	Yes
Bluetooth	Yes	Yes
Automatic Control (Sensor)	Yes (Vapor)	Yes (Vapor)
<b>Accessories (Optional)</b>		
Charcoal Filter Reference	CFC0038668	CFC0038668
<b>Dimensions</b>		
Gross Weight	30.8	24.5
Net Weight	23.3	19.2
Gross Dimensions (W x D x H)	1034 x 915 x 433	759 x 915 x 433
Net Dimensions (W x D x H)	Min. 1,050~	Min. 1,050~
	Max. 1,486 x 898 x 386	Max. 1,486 x 598 x 386
<b>Loading</b>		
80m <sup>3</sup> Truck (Loose Carton)	168	252



Model Code	NK36M7070VS	NK24M7070VS	NK36M7070VB	NK24M7070VB
Type	Vertical (Inox)	Vertical (Inox)	Vertical (Black Glass)	Vertical (Black Glass)
<b>Main Specifications</b>				
References	Stainless Steel A430	Stainless Steel A430	Glass / Painted Body	Glass / Painted Body
Size (cm)	90	60	90	60
Model Type Install	Wall-mount	Wall-mount	Wall-mount	Wall-mount
<b>Technical Specifications</b>				
Type of Controls	Touch Control (DGT)	Touch Control (DGT)	Touch Control (DGT)	Touch Control (DGT)
Energy Efficiency Class	B	B	B	B
Display Color	Ice Blue	Ice Blue	Ice Blue	Ice Blue
Extraction Type	Ducting or Recirculating	Ducting or Recirculating	Ducting or Recirculating	Ducting or Recirculating
Number of Motors / Fans	1 / 1	1 / 1	1 / 1	1 / 1
Number of Extraction Speeds	4 (3 + Booster)	4 (3 + Booster)	4 (3 + Booster)	4 (3 + Booster)
Max Extraction (m <sup>3</sup> / hr)	585	585	585	585
Boost Extraction (m <sup>3</sup> / hr)	729	729	729	729
Max Sound Power (dBA)	68	68	68	68
Boost Sound Power (dBA)	73	73	73	73
Lighting	2 x 2.5W LED	2 x 2.5W LED	2 x 2.5W LED	2 x 2.5W LED
Number of Metallic Filter (Aluminium)	2	1	1	1
Number of Charcoal Filter	2	2	2	2
Total Power of Connection (W)	265	265	265	265
Ducting Diameter (mm)	150	150	150	150
Clean Air	No	No	No	No
Saturation Filter Lamps	Yes	Yes	Yes	Yes
Timer	Yes	Yes	Yes	Yes
Booster	Yes	Yes	Yes	Yes
Air Diverter	Yes	Yes	Yes	Yes
Charcoal Filter	No	No	No	No
Bluetooth	No	No	No	No
Automatic Control (Sensor)	No	No	No	No
<b>Accessories (Optional)</b>				
Charcoal Filter Reference	DG81-02279A	DG81-02279A	DG81-02279A	DG81-02279A
<b>Dimensions</b>				
Gross Weight	30.8	24.5	30.7	23.6
Net Weight	23.3	19.2	23	17.5
Gross Dimensions (W x D x H)	1034 x 915 x 433	759 x 915 x 433	1034 x 915 x 433	759 x 915 x 433
Net Dimensions (W x D x H)	Min. 1,040~	Min. 1,040~	Min. 1,040~	Min. 1,040~
	Max. 1,440 x 898 x 137	Max. 1,440 x 598 x 137	Max. 1,440 x 898 x 137	Max. 1,440 x 598 x 137
<b>Loading</b>				
80m <sup>3</sup> Truck (Loose Carton)	168	252	168	252

# Models Hood



Model Code	NK36N5703BS	NK24N5703BS	NK24N5703BM
Type	T-type (Black Glass)	T-type (Black Glass)	T-type (Black Glass)
<b>Main Specifications</b>			
References	Stainless Steel A430 + Black Glass	Stainless Steel A430 + Black Glass	Stainless Steel A430 + Black Glass
Size (cm)	90	60	60
Model Type Install	Wall-mount	Wall-mount	Wall-mount
<b>Technical Specifications</b>			
Type of Controls	Touch Control (DGT)	Touch Control (DGT)	Touch Control (Elica)
Energy Efficiency Class	A	A	A
Display Color	Ice Blue	Ice Blue	Ice Blue
Extraction Type	Ducting or Recirculating	Ducting or Recirculating	Ducting or Recirculating
Number of Motors / Fans	1 / 1	1 / 1	1 / 1
Number of Extraction Speeds	4 (3 + Booster)	4 (3 + Booster)	4 (3 + Booster)
Max Extraction (m <sup>3</sup> / hr)	622	622	622
Boost Extraction (m <sup>3</sup> / hr)	722	722	722
Max Sound Power (dBA)	72	72	72
Boost Sound Power (dBA)	75	75	75
Lighting	2 x 2.5W LED	2 x 2.5W LED	2 x 2.5W LED
Number of Metallic Filter (Aluminium)	3	2	2
Number of Charcoal Filter	1	1	1
Total Power of Connection (W)	315	315	315
Ducting Diameter (mm)	150	150	150
Clean Air	No	No	No
Saturation Filter Lamps	Yes	Yes	Yes
Timer	Yes	Yes	Yes
Booster	Yes	Yes	Yes
Air Diverter	No	No	No
Charcoal Filter	Yes	Yes	Yes
Bluetooth	Yes	Yes	Yes
Automatic Control (Sensor)	No	No	No
<b>Accessories (Optional)</b>			
Charcoal Filter Reference	F00333/S	F00333/S	F00333/S
<b>Dimensions</b>			
Gross Weight	17.9	15.7	15.7
Net Weight	14.5	13.2	13.2
Gross Dimensions (W x D x H)	945 x 375 x 575	645 x 375 x 575	645 x 375 x 575
Net Dimensions (W x D x H)	Min. 619 ~	Min. 619 ~	Min. 619 ~
	Max. 1147 x 900 x 450	Max. 1147 x 600 x 450	Max. 1147 x 900 x 450
<b>Loading</b>			
80m <sup>3</sup> Truck (Loose Carton)	336	504	336

# Models Hood



Model Code	NK36M5070BS	NK24M5070BS	NK36M5070BG	NK24M5070BG
Type	T-type (Black Glass)	T-type (Black Glass)	T-type (Black Glass, Black Stainless Steel Caviar)	T-type (Black Glass, Black Stainless Steel Caviar)
<b>Main Specifications</b>				
References	Stainless Steel A430 + Black Glass	Stainless Steel A430 + Black Glass	Caviar Black + Black Glass	Caviar Black + Black Glass
Size (cm)	90	60	90	60
Model Type Install	Wall-mount	Wall-mount	Wall-mount	Wall-mount
<b>Technical Specifications</b>				
Type of Controls	Touch Control	Touch Control	Touch Control	Touch Control
Energy Efficiency Class	B	B	B	B
Display Color	Ice Blue	Ice Blue	Ice Blue	Ice Blue
Extraction Type	Ducting or Recirculating	Ducting or Recirculating	Ducting or Recirculating	Ducting or Recirculating
Number of Motors / Fans	1 / 1	1 / 1	1 / 1	1 / 1
Number of Extraction Speeds	4 (3 + Booster)	4 (3 + Booster)	4 (3 + Booster)	4 (3 + Booster)
Max Extraction (m <sup>3</sup> / hr)	531	531	531	531
Boost Extraction (m <sup>3</sup> / hr)	668	668	668	668
Max Sound Power (dBA)	70	70	70	70
Boost Sound Power (dBA)	75	75	75	75
Lighting	2 x 2.5W LED	2 x 2.5W LED	2 x 2.5W LED	2 x 2.5W LED
Number of Metallic Filter (Aluminium)	3	2	3	2
Number of Charcoal Filter	1	1	1	1
Total Power of Connection (W)	265	265	265	265
Ducting Diameter (mm)	150	150	150	150
Clean Air	No	No	No	No
Saturation Filter Lamps	Yes	Yes	Yes	Yes
Timer	Yes	Yes	Yes	Yes
Booster	Yes	Yes	Yes	Yes
Air Diverter	Yes	Yes	Yes	Yes
Charcoal Filter	No	No	No	No
Bluetooth	No	No	No	No
Automatic Control (Sensor)	No	No	No	No
<b>Accessories (Optional)</b>				
Charcoal Filter Reference	DG81-02294A	DG81-02294A	DG81-02294A	DG81-02279A
<b>Dimensions</b>				
Gross Weight	17.9	15.7	20	16.8
Net Weight	14.5	13.2	17.2	14.8
Gross Dimensions (W x D x H)	945 x 375 x 575	645 x 375 x 575	945 x 375 x 575	645 x 375 x 575
Net Dimensions (W x D x H)	Min. 619~	Min. 619~	Min. 619~	Min. 619~
	Max. 1,147 x 900 x 450	Max. 1,147 x 600 x 450	Max. 1,147 x 900 x 500	Max. 1,147 x 600 x 500
<b>Loading</b>				
80m <sup>3</sup> Truck (Loose Carton)	336	504	336	504

# Models Hood



Model Code	NK36M5070BM	NK24M5070BM	NK36M5070FS	NK24M5070FS
Type	T-type (Black Glass, Black Stainless Steel Matt)	Box (Black Glass, Black Stainless Steel Matt)	Glass (Flat)	Glass (Flat)
<b>Main Specifications</b>				
References	Matt Black + Black Glass	Matt Black + Black Glass	Stainless Steel A430	Stainless Steel A430
Size (cm)	90	60	90	60
Model Type Install	Wall-mount	Wall-mount	Wall-mount	Wall-mount
<b>Technical Specifications</b>				
Type of Controls	Touch Control	Touch Control	Touch Control	Touch Control
Energy Efficiency Class	B	B	B	B
Display Color	Ice Blue	Ice Blue	Ice Blue	Ice Blue
Extraction Type	Ducting or Recirculating	Ducting or Recirculating	Ducting or Recirculating	Ducting or Recirculating
Number of Motors / Fans	1 / 1	1 / 1	1 / 1	1 / 1
Number of Extraction Speeds	4 (3 + Booster)	4 (3 + Booster)	4 (3 + Booster)	4 (3 + Booster)
Max Extraction (m <sup>3</sup> / hr)	531	531	558	558
Boost Extraction (m <sup>3</sup> / hr)	668	668	670	670
Max Sound Power (dBA)	70	70	69	69
Boost Sound Power (dBA)	75	75	73	73
Lighting	2 x 2.5W LED	2 x 2.5W LED	2 x 2.5W LED	2 x 2.5W LED
Number of Metallic Filter (Aluminium)	3	2	1	1
Number of Charcoal Filter	1	1	1	1
Total Power of Connection (W)	265	265	255	255
Ducting Diameter (mm)	150	150	150	150
Clean Air	No	No	No	No
Saturation Filter Lamps	Yes	Yes	Yes	Yes
Timer	Yes	Yes	Yes	Yes
Booster	Yes	Yes	Yes	Yes
Air Diverter	Yes	Yes	Yes	Yes
Charcoal Filter	No	No	No	No
Bluetooth	No	No	No	No
Automatic Control (Sensor)	No	No	No	No
<b>Accessories (Optional)</b>				
Charcoal Filter Reference	DG81-02294A	DG81-02294A	DG81-02294A	DG81-02294A
<b>Dimensions</b>				
Gross Weight	20	16.3	20.2	18.8
Net Weight	17	13.9	15.5	14.7
Gross Dimensions (W x D x H)	945 x 375 x 575	645 x 375 x 575	945 x 375 x 575	645 x 375 x 575
Net Dimensions (W x D x H)	Min. 619~	Min. 619~	Min. 739~	Min. 739~
	Max. 1,147 x 900 x 500	Max. 1,147 x 600 x 500	Max. 1,061 x 898 x 450	Max. 1,061 x 598 x 450
<b>Loading</b>				
80m <sup>3</sup> Truck (Loose Carton)	336	504	336	504

# Models Hood



Model Code	NK36M5070CS	NK24M5070CS	NK36M5060SS	NK24M5060SS
Type	Glass (Curved)	Glass (Curved)	T- type (Stainless Steel)	T- type (Stainless Steel)
<b>Main Specifications</b>				
References	Stainless Steel A430	Stainless Steel A430	Stainless Steel A430	Stainless Steel A430
Size (cm)	90	60	90	60
Model Type Install	Wall-mount	Wall-mount	Wall-mount	Wall-mount
<b>Technical Specifications</b>				
Type of Controls	Touch Control	Touch Control	Touch Control	Touch Control
Energy Efficiency Class	B	B	B	B
Display Color	Ice Blue	Ice Blue	Ice Blue	Ice Blue
Extraction Type	Ducting or Recirculating	Ducting or Recirculating	Ducting or Recirculating	Ducting or Recirculating
Number of Motors / Fans	1 / 1	1 / 1	1 / 1	1 / 1
Number of Extraction Speeds	4 (3 + Booster)	4 (3 + Booster)	4 (3 + Booster)	4 (3 + Booster)
Max Extraction (m <sup>3</sup> / hr)	558	558	531	531
Boost Extraction (m <sup>3</sup> / hr)	670	670	668	668
Max Sound Power (dBA)	69	69	70	70
Boost Sound Power (dBA)	73	73	75	75
Lighting	2 x 2.5W LED	2 x 2.5W LED	2 x 2.5W LED	2 x 2.5W LED
Number of Metallic Filter (Aluminium)	1	1	3	2
Number of Charcoal Filter	1	1	1	1
Total Power of Connection (W)	255	255	265	265
Ducting Diameter (mm)	150	150	150	150
Clean Air	No	No	No	No
Saturation Filter Lamps	Yes	Yes	Yes	Yes
Timer	Yes	Yes	Yes	Yes
Booster	Yes	Yes	Yes	Yes
Air Diverter	Yes	Yes	Yes	Yes
Charcoal Filter	No	No	No	No
Bluetooth	No	No	No	No
Automatic Control (Sensor)	No	No	No	No
<b>Accessories (Optional)</b>				
Charcoal Filter Reference	DG81-02294A	DG81-02294A	DG81-02294A	DG81-02294A
<b>Dimensions</b>				
Gross Weight	17.3	16	16.5	15.3
Net Weight	14.5	13.3	13.2	12.8
Gross Dimensions (W x D x H)	945 x 415 x 575	645 x 375 x 575	945 x 375 x 575	645 x 375 x 575
Net Dimensions (W x D x H)	Min. 603~	Min. 603~	Min. 619~	Min. 619~
	Max. 1,130 x 900 x 450	Max. 1,130 x 600 x 450	Max. 1,147 x 900 x 450	Max. 1,147 x 600 x 450
<b>Loading</b>				
80m <sup>3</sup> Truck (Loose Carton)	280	504	336	504



# Models Hood



Model Code	NK36M3050PS	NK24M3050PS	NK36M1030IS	NK24M1030IS
Type	Chimney	Chimney	Glass (Flat)	Slide-In
<b>Main Specifications</b>				
References	Stainless Steel A430	Stainless Steel A430	Body / Bottom grey The Front S/Steel A430	Body / Bottom Grey The Front Stainless Steel A430
Size (cm)	90	60	90	60
Model Type Install	Wall-mount	Wall-mount	Wall-mount	Wall-mount
<b>Technical Specifications</b>				
Type of Controls	Push Button	Push Button	Push Button	Push Button
Energy Efficiency Class	D	D	C	C
Display Color	No	No	No	No
Extraction Type	Ducting or Recirculating	Ducting or Recirculating	Ducting or Recirculating	Ducting or Recirculating
Number of Motors / Fans	1 / 1	1 / 1	1 / 1	1 / 1
Number of Extraction Speeds	3	3	3	3
Max Extraction (m <sup>3</sup> / hr)	512	512	379	392
Boost Extraction (m <sup>3</sup> / hr)	No	No	-	-
Max Sound Power (dBA)	70	70	72	71
Boost Sound Power (dBA)	No	No	-	-
Lighting	2 x 28W Bulbs	2 x 28W Bulbs	2 x LED 3W (bulbs)	2 x LED 3W (Bulbs)
Number of Metallic Filter (Aluminium)	3	2	2	2
Number of Charcoal Filter	2	2	2	1
Total Power of Connection (W)	236	236	121	136
Ducting Diameter (mm)	150	150	120	120
Clean Air	No	No	No	No
Saturation Filter Lamps	No	No	No	No
Timer	No	No	No	No
Booster	No	No	No	No
Air Diverter	Yes	Yes	No	No
Charcoal Filter	No	No	Yes	Optional
Bluetooth	No	No	No	No
Automatic Control (Sensor)	No	No	No	No
<b>Accessories (Optional)</b>				
Charcoal Filter Reference	DG81-02329A	DG81-02329A	CFC0038000	CFC0038000
<b>Dimensions</b>				
Gross Weight	10.2	8.7	10.5	6 / 7.5
Net Weight	8	6.9	9	6 / 7.5
Gross Dimensions (W x D x H)	940 x 263 x 510	652 x 293 x 510	924 x 349 x 236	354 x 241 x 634
Net Dimensions (W x D x H)	Min. 739~	Min. 739~	180 x 898 x 280	180 x 600 x 280
	Max. 1,061 x 900 x 450	Max. 1,061 x 600 x 450		
<b>Loading</b>				
80m <sup>3</sup> Truck (Loose Carton)	560	800	1296	1296



Model Code	NK24M1030IB	NK24N1331IS
Type	Glass (Curved)	Glass (Curved)
<b>Main Specifications</b>		
References	Body / Bottom Black The Front Black	Body / Bottom Black The Front Black
Size (cm)	60	60
Model Type Install	Wall-mount	Wall-mount
<b>Technical Specifications</b>		
Type of Controls	Push Button	Push Button
Energy Efficiency Class	C	C
Display Color	No	No
Extraction Type	Ducting or Recirculating	Ducting or Recirculating
Number of Motors / Fans	1 / 1	1 / 1
Number of Extraction Speeds	3	3
Max Extraction (m <sup>3</sup> / hr)	392	361
Boost Extraction (m <sup>3</sup> / hr)	-	-
Max Sound Power (dBA)	71	61
Boost Sound Power (dBA)	-	-
Lighting	2 x LED 3W (bulbs)	2 x LED 3W (bulbs)
Number of Metallic Filter (Aluminium)	2	2
Number of Charcoal Filter	2	1
Total Power of Connection (W)	121	126
Ducting Diameter (mm)	120	150
Clean Air	No	No
Saturation Filter Lamps	No	No
Timer	No	No
Booster	No	No
Air Diverter	No	No
Charcoal Filter	Yes	Yes
Bluetooth	No	No
Automatic Control (Sensor)	No	No
<b>Accessories (Optional)</b>		
Charcoal Filter Reference	CFC0038000	CFC0118462
<b>Dimensions</b>		
Gross Weight	8.3	12.9
Net Weight	7.2	11.2
Gross Dimensions (W x D x H)	624 x 349 x 236	693 x 396 x 511
Net Dimensions (W x D x H)	180 x 598 x 280	396 x 598 x 280
<b>Loading</b>		
80m <sup>3</sup> Truck (Loose Carton)	1296	434

# Models

## Dishwasher

Fully Built-in



Model Code		DW60M9550BB	DW60M9530BB
Project Name		DW9000M	DW9000M
<b>Design</b>			
Control Panel Location		Hidden	Hidden
Control Type		Touch	Touch
Color		N/A	N/A
<b>Performance</b>			
Capacity (Place Setting)		14	14
Energy Efficiency Class		A+++	A++
Energy consumption (annual)		237 kWh / year	266 kWh / year
Energy consumption (cycle)		0.83 kWh / cycle	0.93 kWh / cycle
Wash Performance		A	A
Drying Performance		A	A
Dry System		Auto Open	Auto Open
Water Consumption (L/ annual)		2716	2716
Water Consumption (L/ cycle)		9.7	9.7
Noise Level (dBA)		42 dBA	44 dBA
<b>Function</b>			
Programs		7	6
Intensive		Yes	Yes
Auto		Yes	Yes
Normal		No	No
Delicate		Yes	Yes
Eco		Yes	Yes
Daily 55' (or Express)		Yes	Yes
Quick (38min)		Yes	Yes
Self Clean		Yes	No
Pre Wash		No	No
Options		Yes	Yes
Delay Start		Yes	Yes
Half Load		Yes	Yes
Sanitize		Yes	Yes
Hi-temp Wash		Yes	Yes
Child Lock		Yes	Yes
Zone Booster		Yes	Yes
(Targeted Cleaning)			
Speed Booster		Yes	No
Wi-Fi		No	No
Safety		Yes	Yes
Aqua Stop		Yes	Yes
<b>Inner System</b>			
Interior			
Tub Material		Stainless Steel	Stainless Steel
Number of Wash Arm		3	3
Upper			
Basket Handle		Yes	Yes
Foldable Cup Shelves		Yes	Yes
Adjustable Height		Yes	Yes
Fold Down Tines		Yes	Yes
Lower			
Basket Handle		Yes	Yes
Fold Down Tines		Yes	Yes
Cutlery			
Cutlery Tray		Yes	Yes
Cutlery Basket		No	No
<b>Dimensions</b>			
Net			
Width (mm)		598	598
Height (mm)		817	817
Depth (mm)		555	555
Weight (Kg)		45	45
<b>Installation</b>			
Electrical(Volts/Hertz)		220-240V / 50Hz	220-240V / 50Hz
Heater Watts		2000-2300W	2000-2300W
Circulation Motor		60 to 100W	60 to 100W
Drain Pump		30W	30W
Levelling Screws		60mm	60mm

# Models

## Dishwasher

Fully Built-in



Model Code		DW60M6050BB	DW60M6040BB
Project Name		DW5500MM	DW5500MM
<b>Design</b>			
Control Panel Location		Hidden	Hidden
Control Type		Touch	Touch
Color		N/A	N/A
<b>Performance</b>			
Capacity (Place Setting)		14	13
Energy Efficiency Class		A++	A++
Energy consumption (annual)		266 kWh / year	262 kWh / year
Energy consumption (cycle)		0.93 kWh / cycle	0.92 kWh / cycle
Wash Performance		A	A
Drying Performance		A	A
Dry System		Condensing	Condensing
Water Consumption (L/ annual)		2940	2940
Water Consumption (L/ cycle)		10.5	10.5
Noise Level (dBA)		44 dBA	44 dBA
<b>Function</b>			
Programs		Number of programs	7
		Intensive	Yes
		Auto	Yes
		Normal	No
		Delicate	Yes
		Eco	Yes
		Daily 55' (or Express)	Yes
		Quick (38min)	Yes
		Self Clean	No
		Pre Wash	Yes
Options		Delay Start	1-24h
		Half Load	Yes
		Sanitize	Yes
		Hi-temp Wash	No
		Child Lock	Yes
		Zone Booster	No
		(Targeted Cleaning)	
		Speed Booster	No
		Wi-Fi	No
Safety		Aqua Stop	Yes
<b>Inner System</b>			
Interior		Tub Material	Stainless Steel
		Number of Wash Arm	3
Upper		Basket Handle	Yes
		Foldable Cup Shelves	Yes
		Adjustable Height	Yes
		Fold Down Tines	No
Lower		Basket Handle	Yes
		Fold Down Tines	Yes
Cutlery		Cutlery Tray	Yes
		Cutlery Basket	No
<b>Dimensions</b>			
Net		Width (mm)	598
		Height (mm)	815
		Depth (mm)	550
		Weight (Kg)	43
<b>Installation</b>			
		Electrical(Volts/Hertz)	220-240V / 50Hz
		Heater Watts	1760-2100W
		Circulation Motor	85W
		Drain Pump	30W
		Levelling Screws	50mm

# Models

## Dishwasher

Semi Built-in



Model Code		DW60M9970SS	DW60M9550SS	DW60M6050SS	DW60M6040SS
Project Name		DW9000M	DW9000M	DW5500MM	DW5500MM
<b>Design</b>					
Control Panel Location		Hidden	Hidden	Front	Front
Control Type		Touch	Touch	Button	Button
Color		Silver	Silver	Silver	Silver
<b>Performance</b>					
Capacity (Place Setting)		14	14	14	13
Energy Efficiency Class		A+++	A+++	A++	A++
Energy consumption (annual)		237 kWh/year	237 kWh/year	266 kWh/year	262 kWh/year
Energy consumption (cycle)		0.83 kWh/cycle	0.83 kWh/cycle	0.93 kWh/cycle	0.92 kWh/cycle
Wash Performance		A	A	A	A
Drying Performance		A	A	A	A
Dry System		Auto Open	Auto Open	Condensing	Condensing
Water Consumption (L/ annual)		2716	2716	2940	2940
Water Consumption (L/ cycle)		9.7	9.7	10.5	10.5
Noise Level (dBA)		41 dBA	42 dBA	44 dBA	44 dBA
<b>Function</b>					
Programs		7	7	7	6
Intensive		Yes	Yes	Yes	Yes
Auto		Yes	Yes	Yes	Yes
Normal		No	No	No	No
Delicate		Yes	Yes	Yes	Yes
Eco		Yes	Yes	Yes	Yes
Daily 55' (or Express)		Yes	Yes	Yes	Yes
Quick (38min)		Yes	Yes	Yes	No
Self Clean		Yes	Yes	No	No
Pre Wash		No	No	Yes	Yes
Options		Yes	Yes	1-24h	1-24h
Half Load		Yes	Yes	Yes	Yes
Sanitize		Yes	Yes	Yes	Yes
Hi-temp Wash		Yes	Yes	No	No
Child Lock		Yes	Yes	Yes	Yes
Zone Booster		Yes	Yes	No	No
(Targeted Cleaning)					
Speed Booster		Yes	Yes	No	No
Wi-Fi		Yes	No	No	No
Safety		Aqua Stop	Yes	Yes	Yes
<b>Inner System</b>					
Interior		Tub Material	Stainless Steel	Stainless Steel	Stainless Steel
Number of Wash Arm		3	3	3	2
Upper		Basket Handle	Yes	Yes	Yes
Foldable Cup Shelves		Yes	Yes	Yes	Yes
Adjustable Height		Yes	Yes	Yes	Yes
Fold Down Tines		Yes	Yes	No	No
Lower		Basket Handle	Yes	Yes	Yes
Fold Down Tines		Yes	Yes	Yes	Yes
Cutlery		Cutlery Tray	Yes	Yes	No
Cutlery Basket		No	No	No	Yes
<b>Dimensions</b>					
Net		Width (mm)	598	598	598
Height (mm)		817	817	815	815
Depth (mm)		575	575	570	570
Weight (Kg)		45	45	43	43
<b>Installation</b>					
Electrical(Volts/Hertz)		220-240V / 50Hz	220-240V / 50Hz	220-240V / 50Hz	220-240V / 50Hz
Heater Watts		2000-2300W	2000-2300W	1760-2100W	1760-2100W
Circulation Motor		60 to 100W	60 to 100W	85W	85W
Drain Pump		30W	30W	30W	30W
Levelling Screws		60mm	60mm	50mm	50mm

# Models

## Dishwasher

Built Under



Model Code		DW60M9970US	DW60M9550US	DW60M6050US	DW60M6050UW
Project Name		DW9000M	DW9000M	DW5500MM	DW5500MM
<b>Design</b>					
Control Panel Location		Hidden	Hidden	Condensing	Front
Control Type		Touch	Touch	Button	Button
Color		Silver	Silver	Silver	White
<b>Performance</b>					
Capacity (Place Setting)		14	14	14	14
Energy Efficiency Class		A+++	A+++	A++	A++
	Energy consumption (annual)	237 kWh / year	237 kWh / year	266 kWh / year	266 kWh / year
	Energy consumption (cycle)	0.83 kWh / cycle	0.83 kWh / cycle	0.93 kWh / cycle	0.93 kWh / cycle
Wash Performance		A	A	A	A
Drying Performance		A	A	A	A
	Dry System	Auto Open	Auto Open	Condensing	Condensing
Water Consumption (L/ annual)		2716	2716	2940	2940
Water Consumption (L/ cycle)		9.7	9.7	10.5	10.5
Noise Level (dBA)		42 dBA	42 dBA	44 dBA	44 dBA
<b>Function</b>					
Programs	Number of programs	7	7	7	7
	Intensive	Yes	Yes	Yes	Yes
	Auto	Yes	Yes	Yes	Yes
	Normal	No	No	No	No
	Delicate	Yes	Yes	Yes	Yes
	Eco	Yes	Yes	Yes	Yes
	Daily 55' (or Express)	Yes	Yes	Yes	Yes
	Quick (38min)	Yes	Yes	Yes	Yes
	Self Clean	Yes	Yes	No	No
	Pre Wash	No	No	Yes	Yes
Options	Delay Start	Yes	Yes	1-24h	1-24h
	Half Load	Yes	Yes	Yes	Yes
	Sanitize	Yes	Yes	Yes	Yes
	Hi-temp Wash	Yes	Yes	No	No
	Child Lock	Yes	Yes	Yes	Yes
	Zone Booster	Yes	Yes	No	No
	(Targeted Cleaning)				
	Speed Booster	Yes	Yes	No	No
	Wi-Fi	Yes	No	No	No
Safety	Aqua Stop	Yes	Yes	Yes	Yes
<b>Inner System</b>					
Interior	Tub Material	Stainless Steel	Stainless Steel	Stainless Steel	Stainless Steel
	Number of Wash Arm	3	3	3	3
Upper	Basket Handle	Yes	Yes	Yes	Yes
	Foldable Cup Shelves	Yes	Yes	Yes	Yes
	Adjustable Height	Yes	Yes	Yes	Yes
	Fold Down Tines	Yes	Yes	No	No
Lower	Basket Handle	Yes	Yes	Yes	Yes
	Fold Down Tines	Yes	Yes	Yes	Yes
Cutlery	Cutlery Tray	Yes	Yes	Yes	Yes
	Cutlery Basket	No	No	No	No
<b>Dimensions</b>					
Net	Width (mm)	598	598	598	598
	Height (mm)	817	817	815	815
	Depth (mm)	575	575	570	570
	Weight (Kg)	46	46	43	43
<b>Installation</b>					
	Electrical(Volts/Hertz)	220-240V / 50Hz	220-240V / 50Hz	220-240V / 50Hz	220-240V / 50Hz
	Heater Watts	2000-2300W	2000-2300W	1760-2100W	1760-2100W
	Circulation Motor	60 to 100W	60 to 100W	85W	85W
	Drain Pump	30W	30W	30W	30W
	Levelling Screws	60mm	60mm	50mm	50mm

# Models Dishwasher

Built Under



Model Code		DW60M6051US	DW60M6051UW	DW60M6040US	DW60M6040UW
Project Name		DW5500MM	DW5500MM	DW5500MM	DW5500MM
<b>Design</b>					
Control Panel Location		Front	Front	Front	Front
Control Type		Button	Button	Button	Button
Color		Silver	White	Silver	Silver
<b>Performance</b>					
Capacity (Place Setting)		14	14	13	13
Energy Efficiency Class		A++	A++	A++	A++
Energy consumption (annual)		266 kWh / year	266 kWh / year	262 kWh / year	262 kWh / year
Energy consumption (cycle)		0.93 kWh / cycle	0.93 kWh / cycle	0.92 kWh / cycle	0.92 kWh / cycle
Wash Performance		A	A	A	A
Drying Performance		A	A	A	A
Dry System		Condensing	Condensing	Condensing	Condensing
Water Consumption (L/ annual)		2940	2940	2940	2940
Water Consumption (L/ cycle)		10.5	10.5	10.5	10.5
Noise Level (dBA)		44 dBA	44 dBA	44 dBA	44 dBA
<b>Function</b>					
Programs		7	7	6	6
Intensive		Yes	Yes	Yes	Yes
Auto		Yes	Yes	Yes	Yes
Normal		No	No	No	No
Delicate		Yes	Yes	Yes	Yes
Eco		Yes	Yes	Yes	Yes
Daily 55' (or Express)		Yes	Yes	Yes	Yes
Quick (38min)		Yes	Yes	No	No
Self Clean		No	No	No	No
Pre Wash		Yes	Yes	Yes	Yes
Options		1-24h	1-24h	1-24h	1-24h
Half Load		Yes	Yes	Yes	Yes
Sanitize		Yes	Yes	Yes	Yes
Hi-temp Wash		No	No	No	No
Child Lock		Yes	Yes	Yes	Yes
Zone Booster		No	No	No	No
(Targeted Cleaning)					
Speed Booster		No	No	No	No
Wi-Fi		No	No	No	No
Safety		Aqua Stop	Yes	Yes	Yes
<b>Inner System</b>					
Interior		Tub Material	Stainless Steel	Stainless Steel	Stainless Steel
Number of Wash Arm		3	3	2	2
Upper		Basket Handle	Yes	Yes	Yes
Foldable Cup Shelves		Yes	Yes	Yes	Yes
Adjustable Height		Yes	Yes	Yes	Yes
Fold Down Tines		No	No	No	No
Lower		Basket Handle	No	Yes	Yes
Fold Down Tines		Yes	Yes	Yes	Yes
Cutlery		Cutlery Tray	Yes	No	No
Cutlery Basket		No	No	Yes	Yes
<b>Dimensions</b>					
Net		Width (mm)	598	598	598
Height (mm)		815	815	815	815
Depth (mm)		570	570	570	570
Weight (Kg)		43	43	43	43
<b>Installation</b>					
Electrical(Volts/Hertz)		220-240V / 50Hz	220-240V / 50Hz	220-240V / 50Hz	220-240V / 50Hz
Heater Watts		1760-2100W	1760-2100W	1760-2100W	1760-2100W
Circulation Motor		85W	85W	85W	85W
Drain Pump		30W	30W	30W	30W
Levelling Screws		50mm	50mm	50mm	50mm

# Models

## Dishwasher

Freestanding



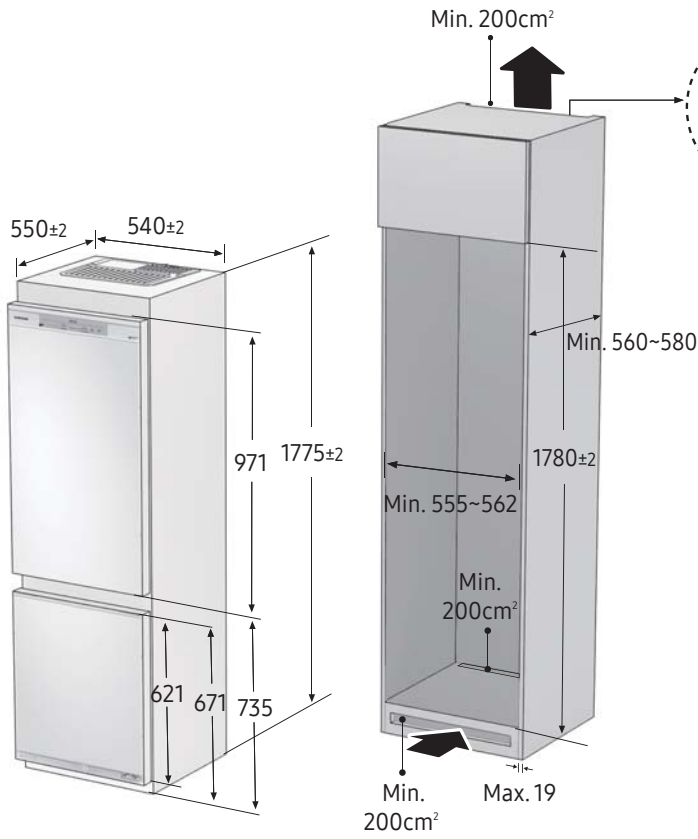
Model Code		DW60M9550FS	DW60M9550FW
Project Name		DW9000M	DW9000M
<b>Design</b>			
Control Panel Location		Hidden	Hidden
Control Type		Touch	Touch
Color		Silver	White
<b>Performance</b>			
Capacity (Place Setting)		14	14
Energy Efficiency Class		A+++	A+++
Energy consumption (annual)		237 kWh / year	237 kWh / year
Energy consumption (cycle)		0.83 kWh / cycle	0.83 kWh / cycle
Wash Performance		A	A
Drying Performance		A	A
Dry System		Auto Open	Auto Open
Water Consumption (L/ annual)		2716	2716
Water Consumption (L/ cycle)		9.7	9.7
Noise Level (dBA)		42 dBA	42 dBA
<b>Function</b>			
Programs		Number of programs	7
		Intensive	Yes
		Auto	Yes
		Normal	No
		Delicate	Yes
		Eco	Yes
		Daily 55' (or Express)	Yes
		Quick (38min)	Yes
		Self Clean	Yes
		Pre Wash	No
Options		Delay Start	Yes
		Half Load	Yes
		Sanitize	Yes
		Hi-temp Wash	Yes
		Child Lock	Yes
		Zone Booster	Yes
		(Targeted Cleaning)	
		Speed Booster	Yes
		Wi-Fi	No
Safety		Aqua Stop	Yes
<b>Inner System</b>			
Interior		Tub Material	Stainless Steel
		Number of Wash Arm	3
Upper		Basket Handle	Yes
		Foldable Cup Shelves	Yes
		Adjustable Height	Yes
		Fold Down Tines	Yes
Lower		Basket Handle	Yes
		Fold Down Tines	Yes
Cutlery		Cutlery Tray	Yes
		Cutlery Basket	No
<b>Dimensions</b>			
Net		Width (mm)	598
		Height (mm)	845
		Depth (mm)	600
		Weight (Kg)	54
<b>Installation</b>			
		Electrical(Volts/Hertz)	220-240V / 50Hz
		Heater Watts	2000-2300W
		Circulation Motor	60 to 100W
		Drain Pump	30W
		Levelling Screws	30mm



# Models / Refrigerator

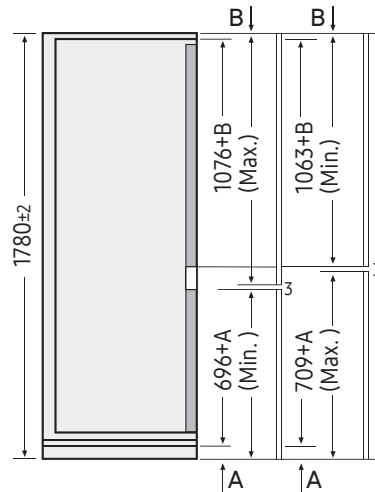
## INSTALLATION GUIDE

BRB260189WW, BRB260178WW, BRB260187WW, BRB260176WW, BRB260135WW, BRB260134WW, BRB260131WW, BRB260130WW

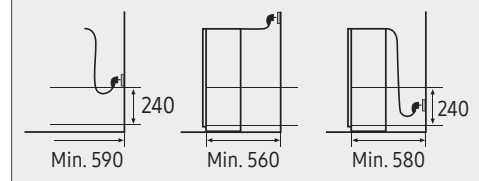


### Door Panel BRB2601\* / Fixed Type (Side View)

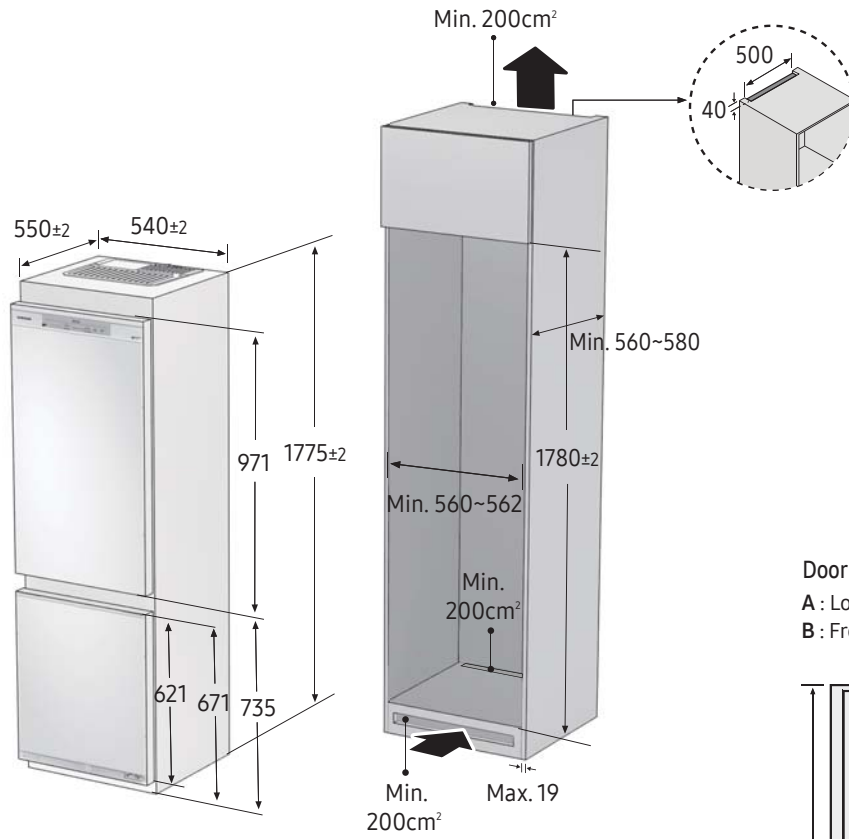
A : Lower edge of front panel  
B : Front panel overhang



### Minimum Cabinet Depth

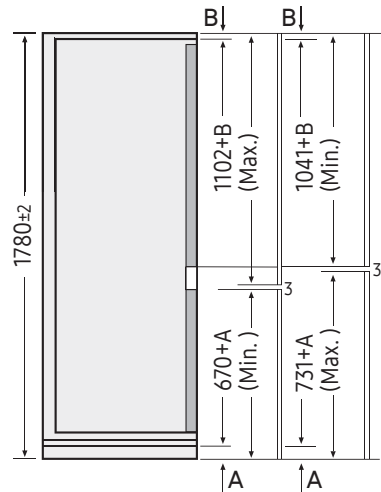


BRB260089WW, BRB260087WW, BRB260076WW, BRB260035WW, BRB260034WW, BRB260031WW, BRB260030WW, BRB260010WW  
BRB60000WW

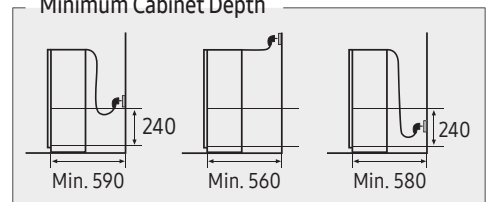


Door Panel BRB2600\* / Slide Type (Side View)

A : Lower edge of front panel  
B : Front panel overhang



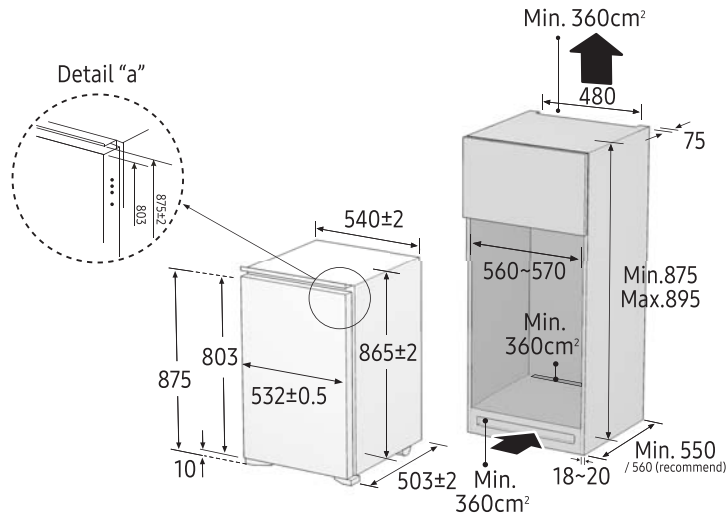
Minimum Cabinet Depth



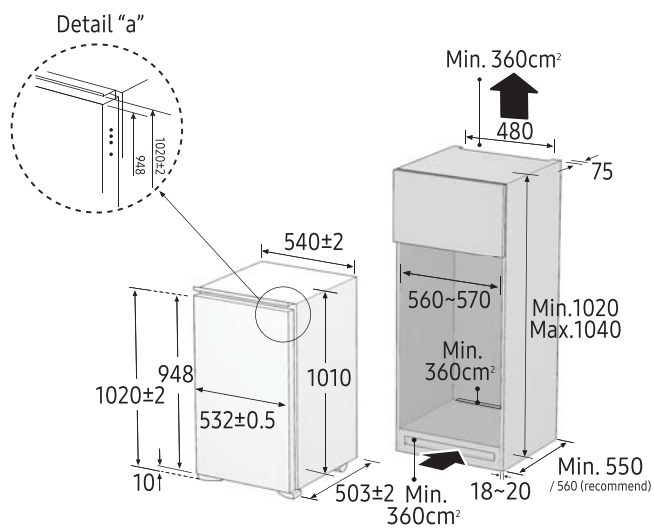
# Models / Refrigerator

## INSTALLATION GUIDE

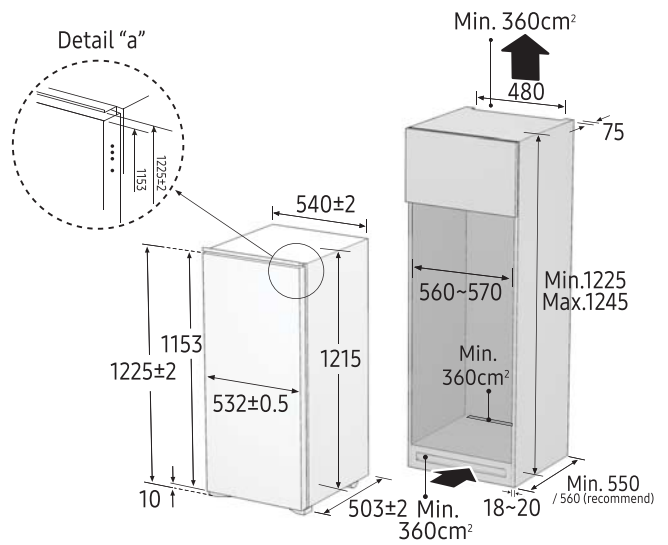
BRR13R121WW



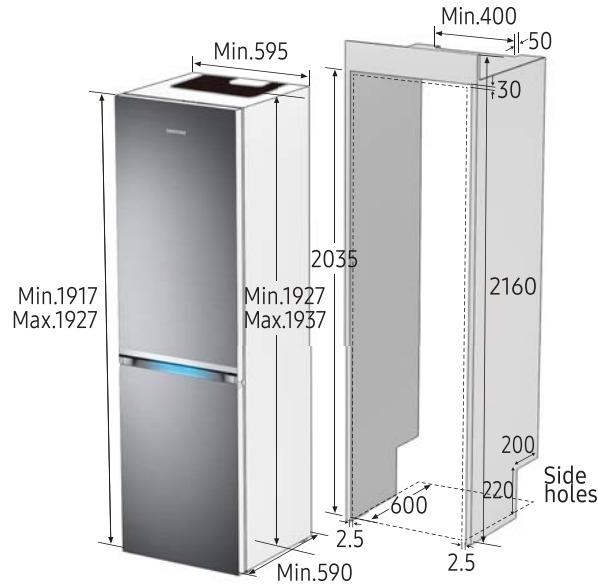
BRR16R121WW



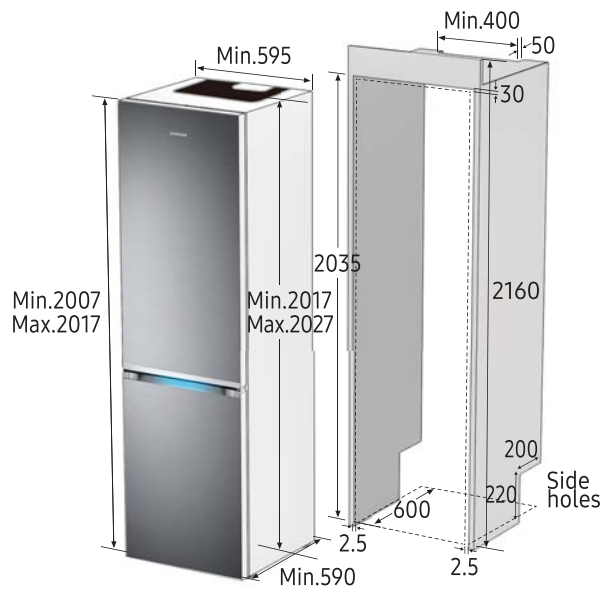
BRR20R121WW



RB33R8717S9, RB33R8717SR, RB33R8737S9, RB33R8737B1, RB33R8739SR, RB33R8837SR, RB33R8837S9, RB33R8899B1, RB33R8899SR



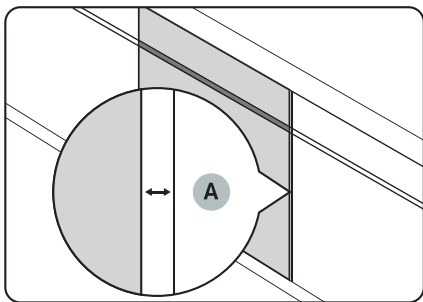
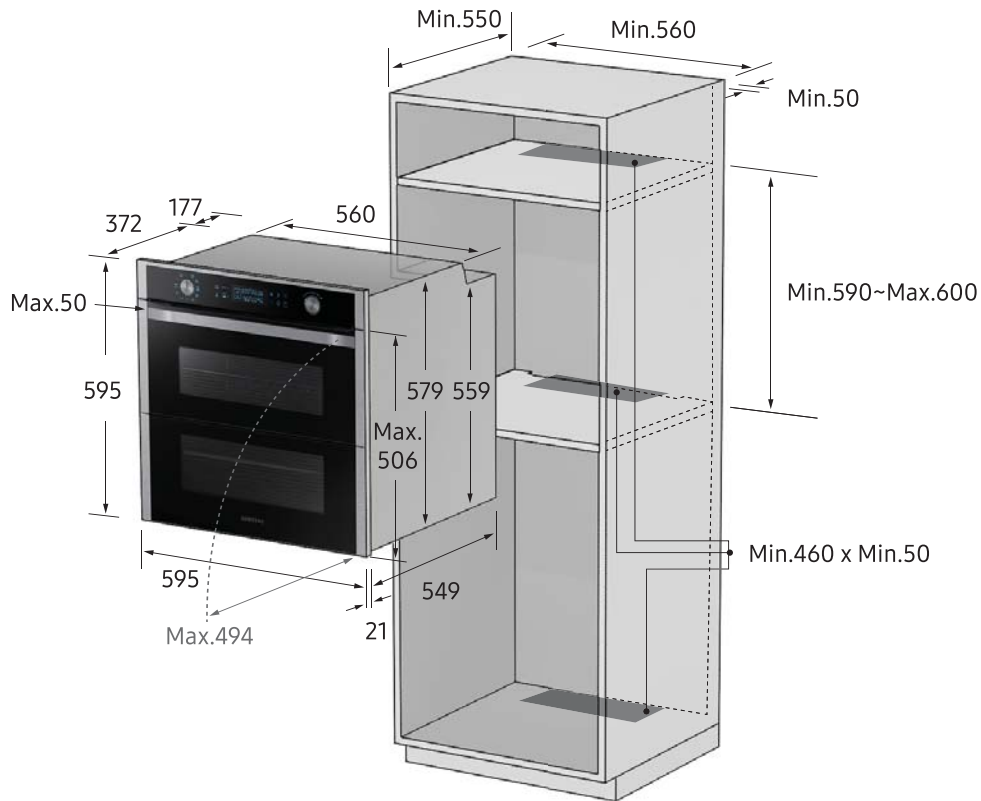
RB36R8717S9, RL36R8739S9, RB36R8737S9, RL36R8739B1, RB36R8799SR, RB36R8817SR, RB36R8839SR, RB36R8837S9, RB36R8899SR, RB36R8899B1



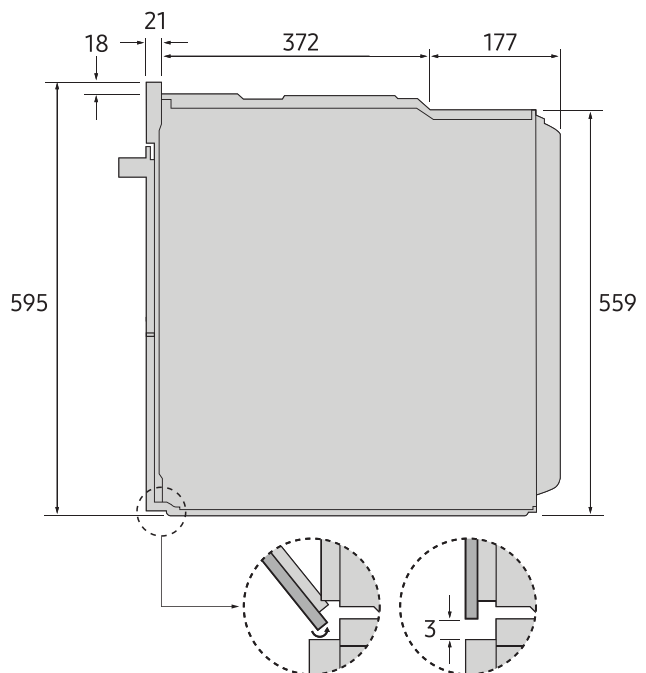
# Models / oven

## INSTALLATION GUIDE

NV75N7678RS, NV75N7677RS, NV75N7647RS, NV75N7646RS, NV75N7646RB, NV75N5671RS, NV75N5671RM, NV75N5671RB, NV75N5671BS, NV75N5641RS, NV75N5641RB, NV75N5641BS



Make sure to leave a gap (A) of at least 5mm between the oven and each side of the cabinet.

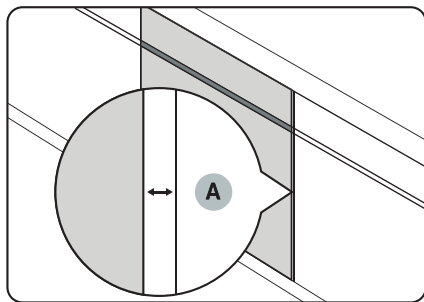
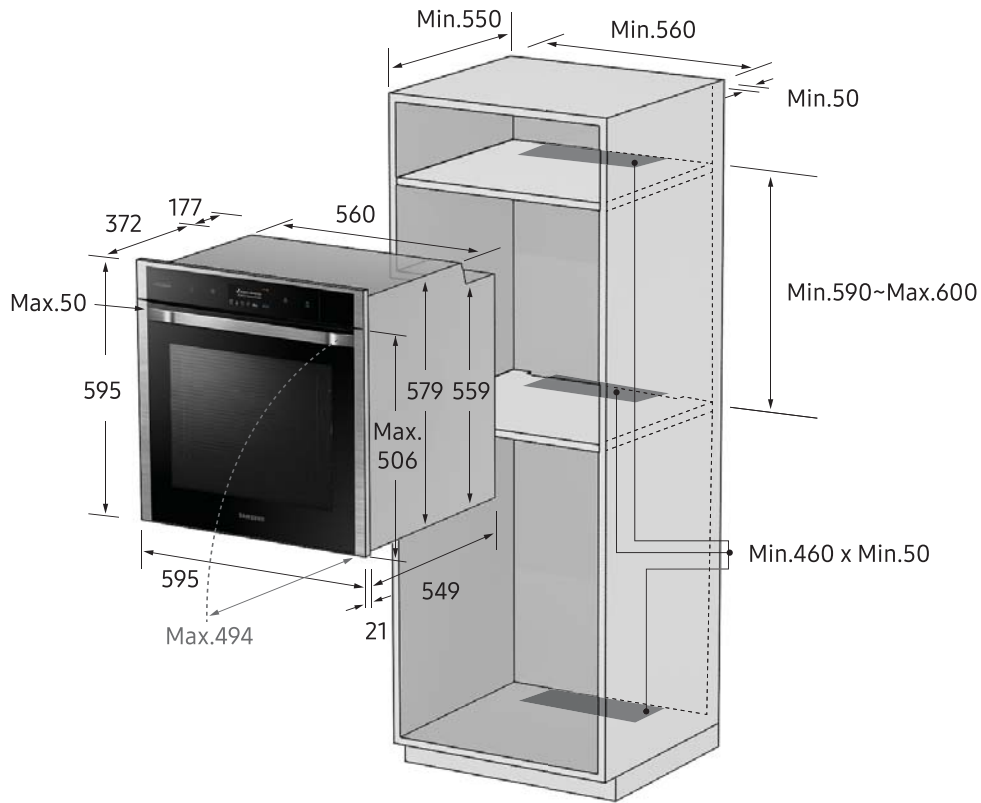


Secure at least 3mm of gap so that the door opens and closes smoothly

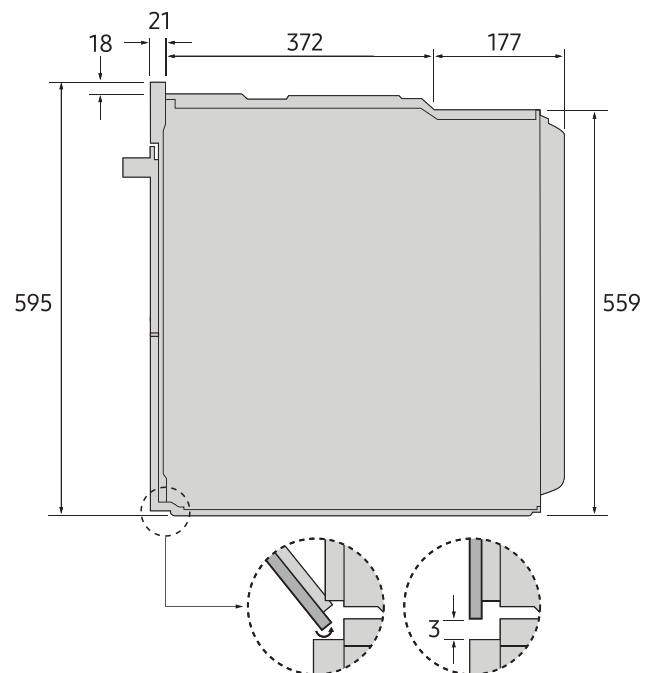
# Models / oven

## INSTALLATION GUIDE

NV73J9770RS, NV73N9770RM, NV73J7740RS, BQ1VD6T131, NV75M7572RS, NV75J7570RS, NV75N7546RS, NV75N7546RB, NV75J5540RS, NV75M5572RS, NV75N5573RS, NV75K5571RS, NV75K5571RM, NV75K5571BS, NV75K5541RS, NV75K5541RM, NV75K5541RG, NV75K5541RB, NV75K5541BS, NV70M3571RS, NV70M3541RS, NV70M3541RB, NV66M3571BS, NV66M3571BB, NV66M3531BS, NV66M3531BB, NV70H5787CB, NV75J3140RS, NV75J3140BS, NV75J3140BB, NV70M3372BS, NV70M3373BS, NV70K3370RS, NV70K3370BS, NV70K3370BM, NV70K3370BB, NV70K2340RS, NV70K2340RM, NV70K2340RG, NV70K2340RB, NV70K1340BS, NV70K1340BB, NV70K1310BS, NV72M1010BS, NV70H5587BB, NV70H5587CB



Make sure to leave a gap (A) of at least 5mm between the oven and each side of the cabinet.

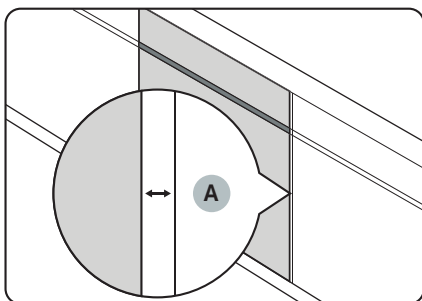
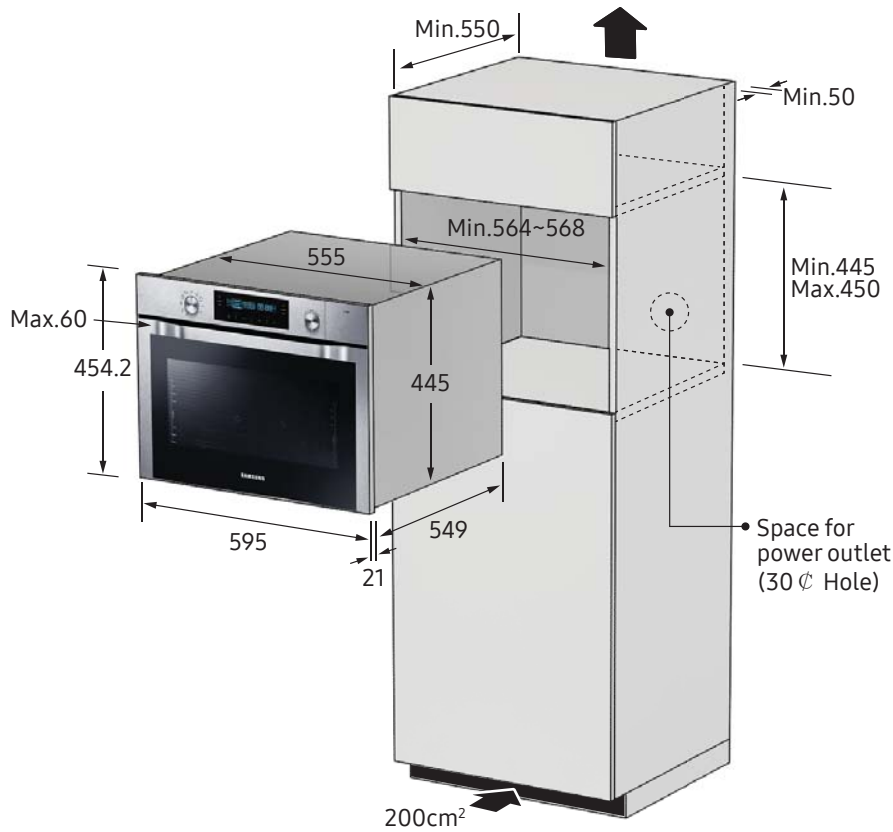


Secure at least 3mm of gap so that the door opens and closes smoothly

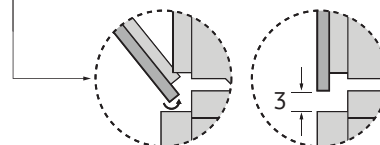
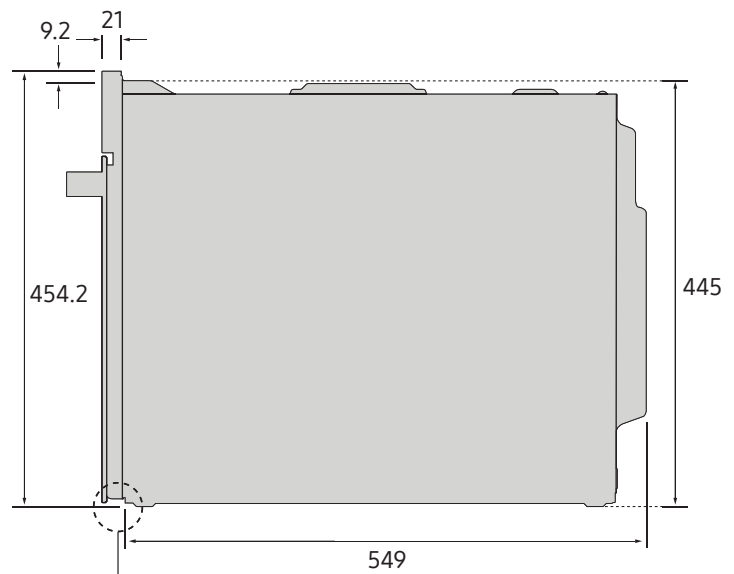
# Models / Compact Oven

## INSTALLATION GUIDE

NQ50C7935ES, NQ50J9530BS, NQ50J9530BM, NQ50J5530BS, NQ50J3530BS, NQ50K3530BG, NQ50J3530BB, NQ50H5537KB, NQ50K5130BS, NQ50K3130BS, NQ50K3130BM, NQ50K3130BB, NQ50K5137KB, NQ50H5533KS

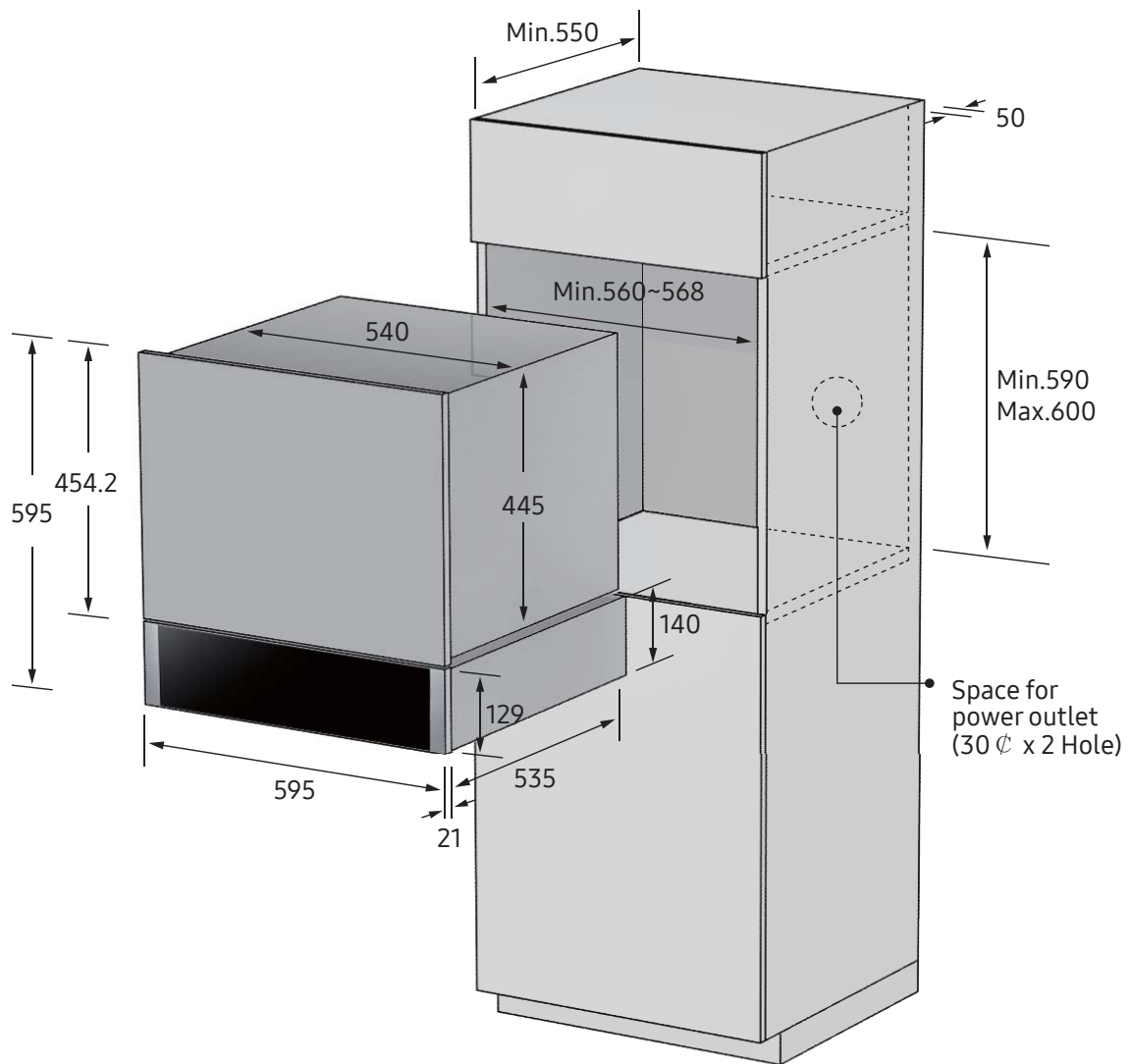


Make sure to leave a gap (A) of at least 5mm between the oven and each side of the cabinet.



Secure at least 3mm of gap so that the door opens and closes smoothly

NL20J7100WB, NL20F7100WB

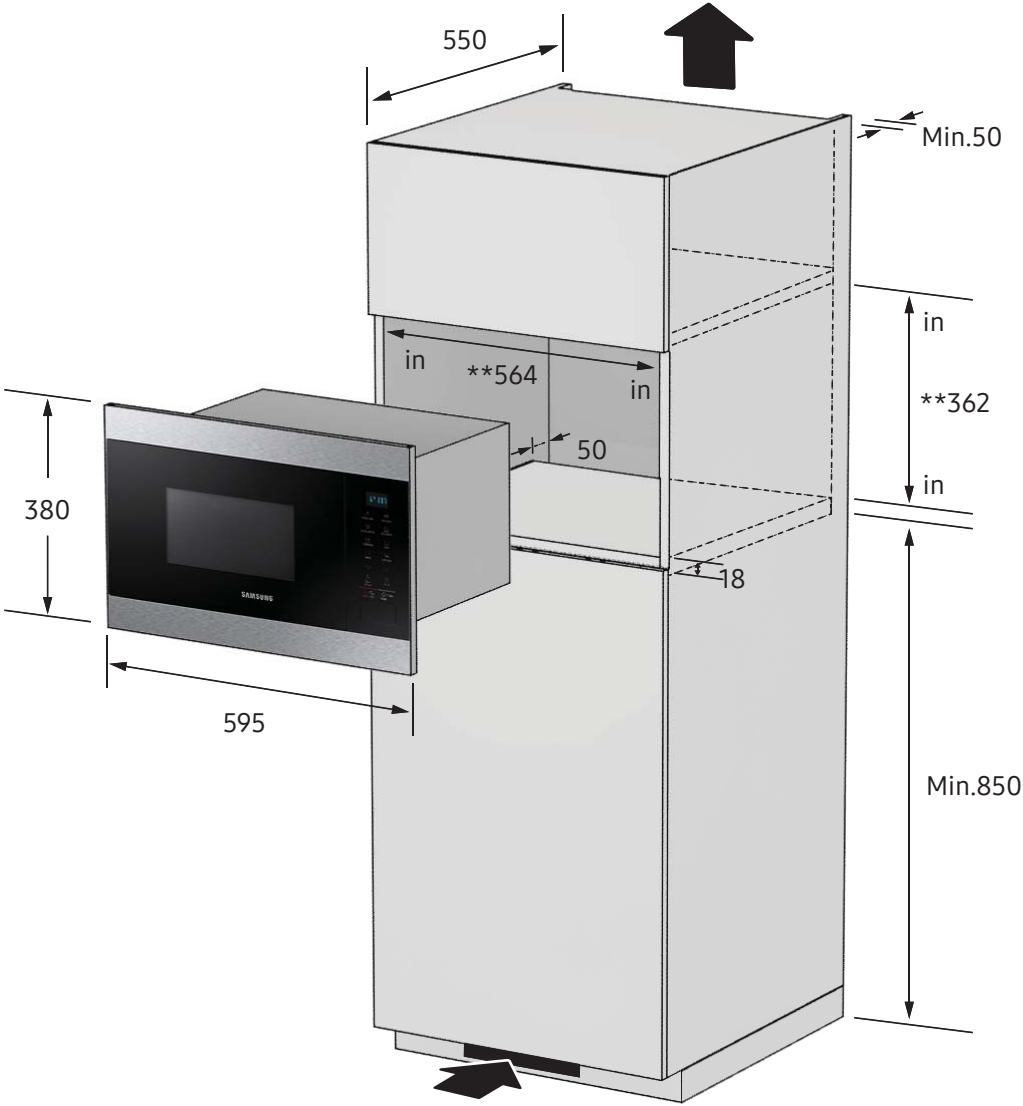




# Models / Microwave Oven

## INSTALLATION GUIDE

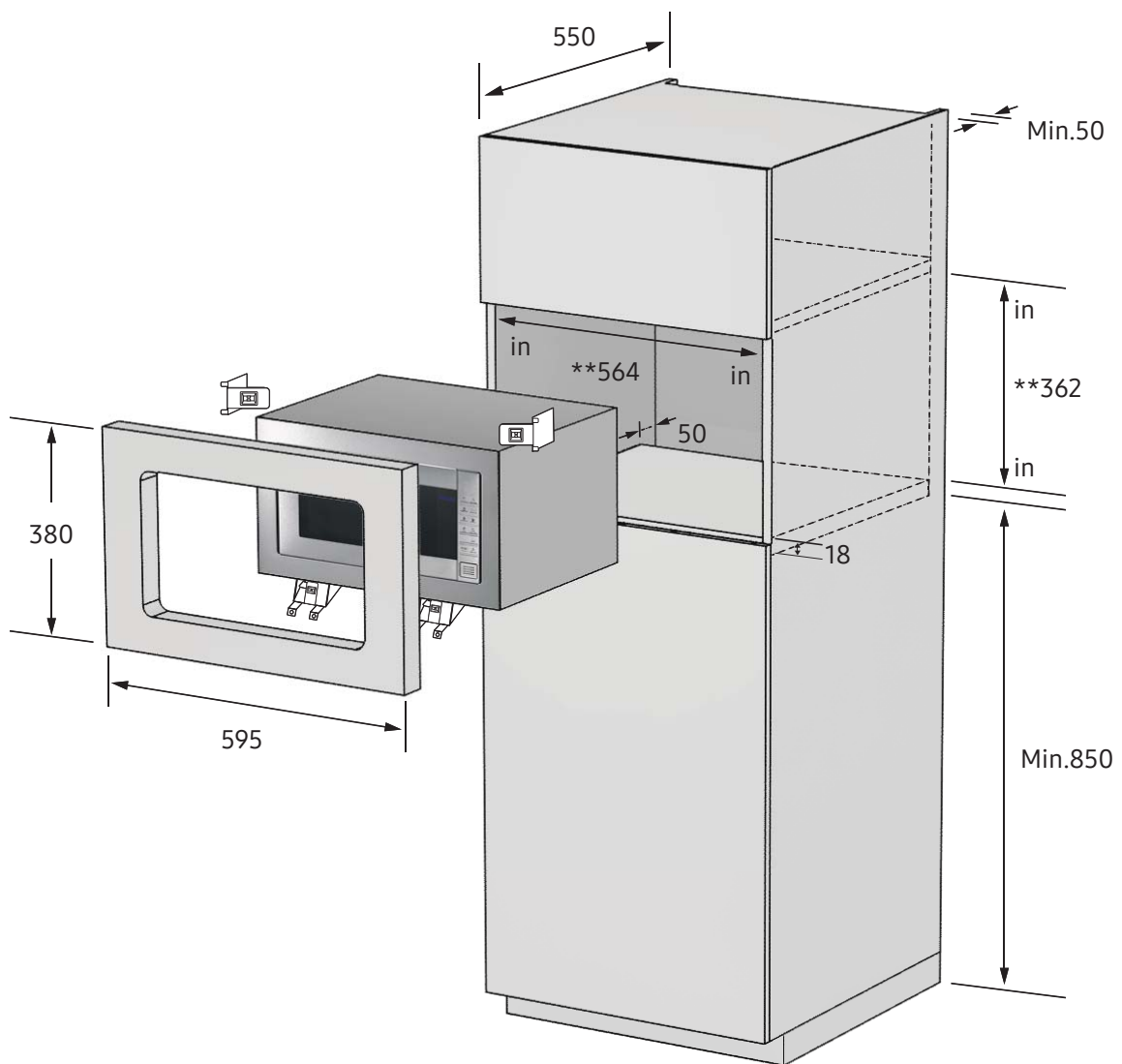
MG22M8074CT, MG22M8074AT, MG22M8054AK, MS22M8074AT, MS22M8074AM, MS22M8054AK



# Models / Microwave Oven

## INSTALLATION GUIDE

FG87SUST, FG88SUST, FG87SUB, FG87SUG, FG88SUG, FG77SUST, FG77SUB, FW87SUST, FW87SUB, FW77SUST, FW77SUB

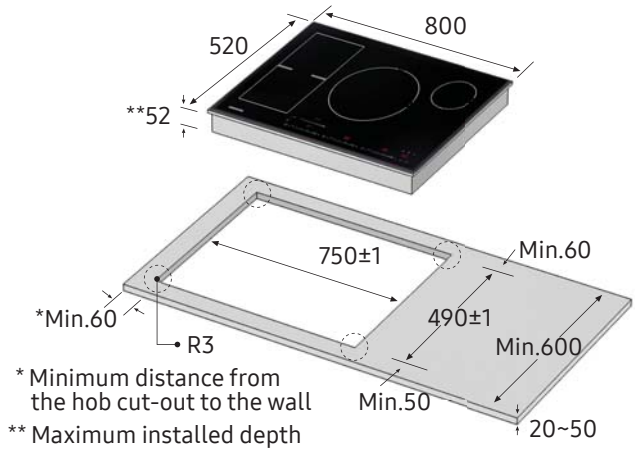
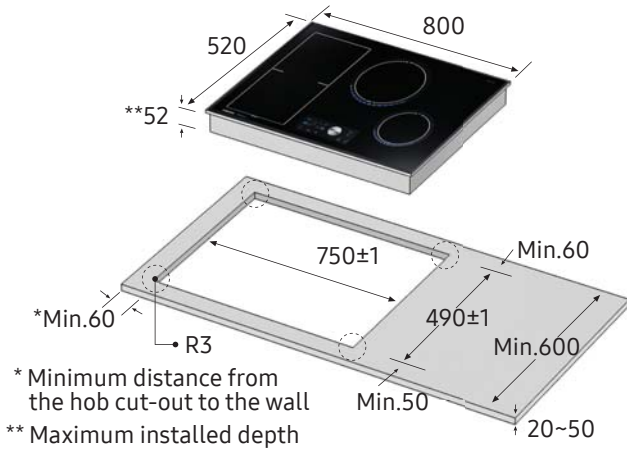


# Models / Induction Cooktop

## INSTALLATION GUIDE

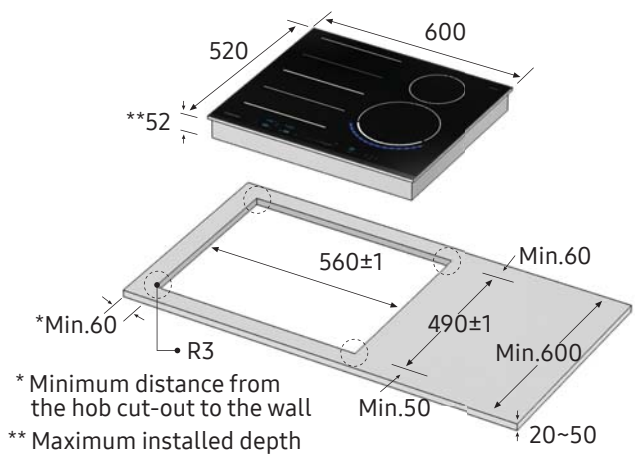
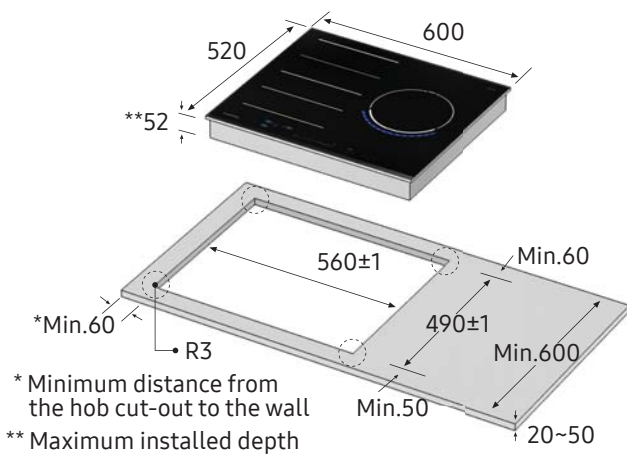
NZ84J9770EK

NZ84F7NC6AB



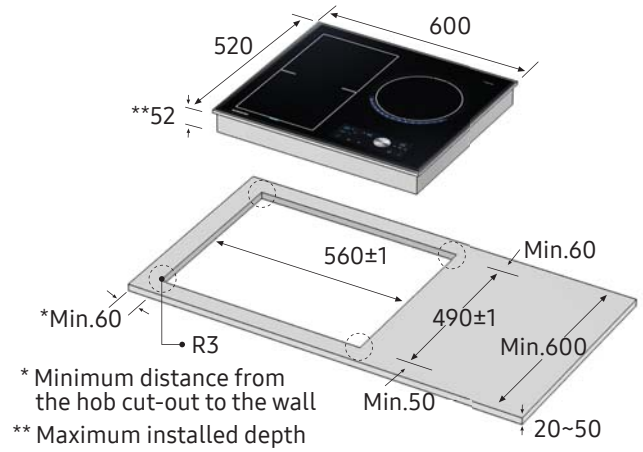
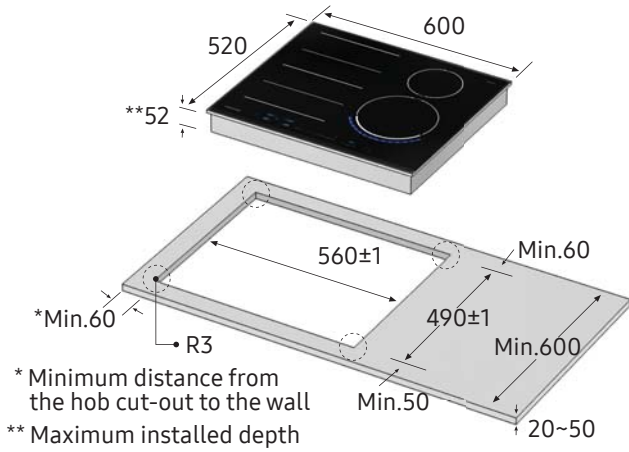
NZ63N9777GK

NZ64N9777GK

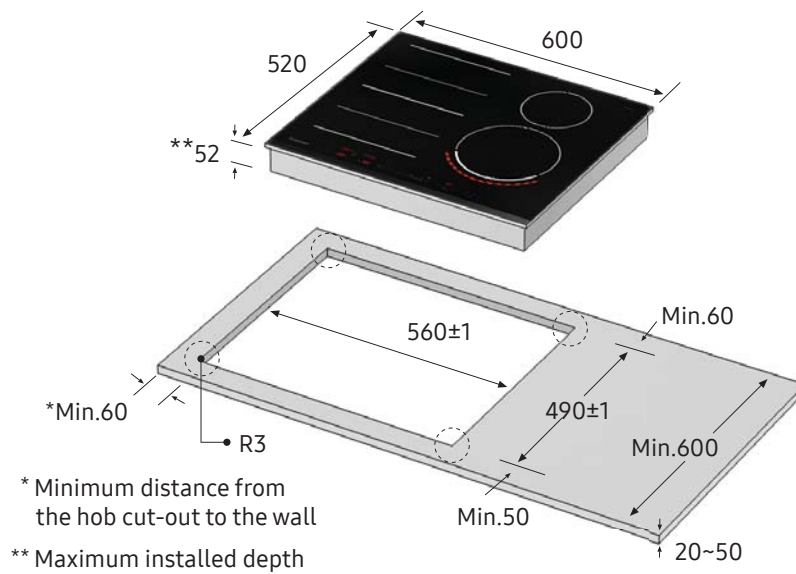


NZ64N9777BK

NZ63J9770EK



NZ64N7777GK

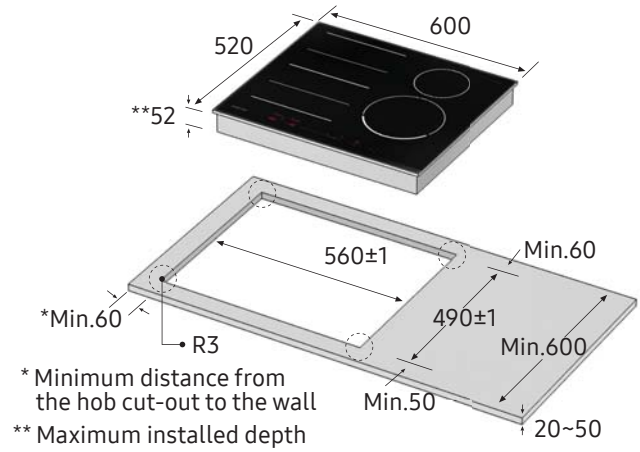
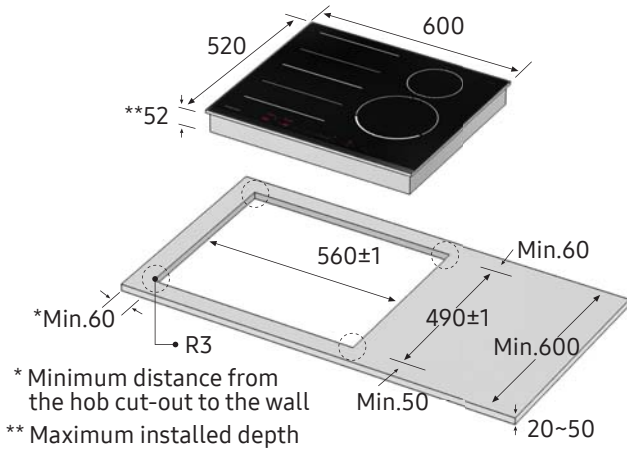


# Models / Induction Cooktop

## INSTALLATION GUIDE

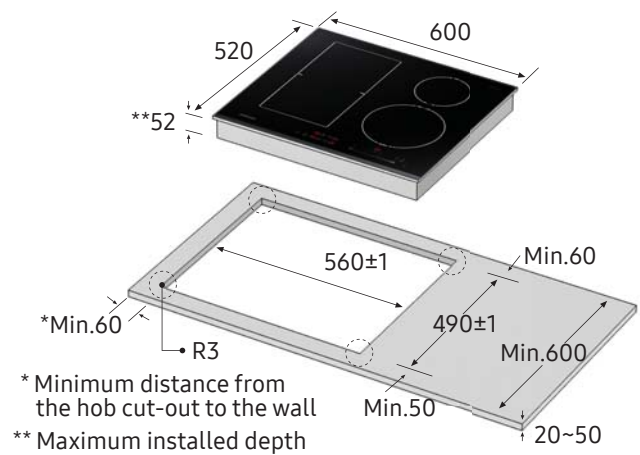
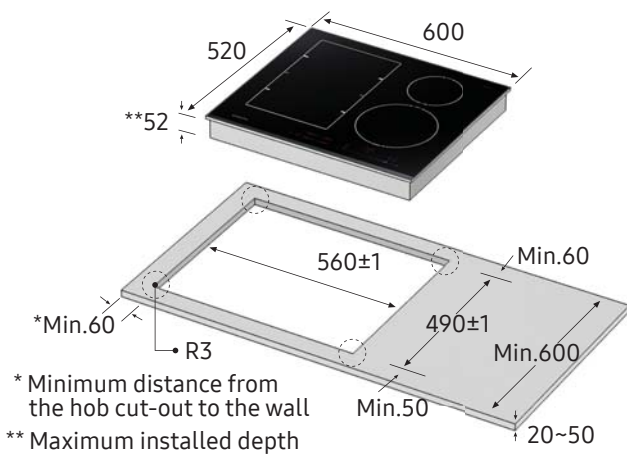
NZ64N7757GK

NZ64N7757FK



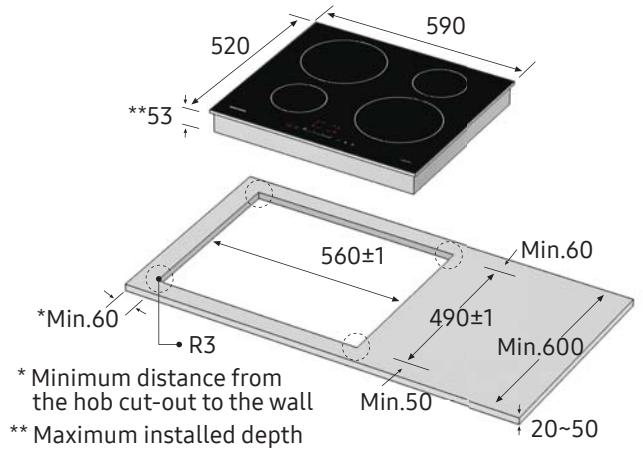
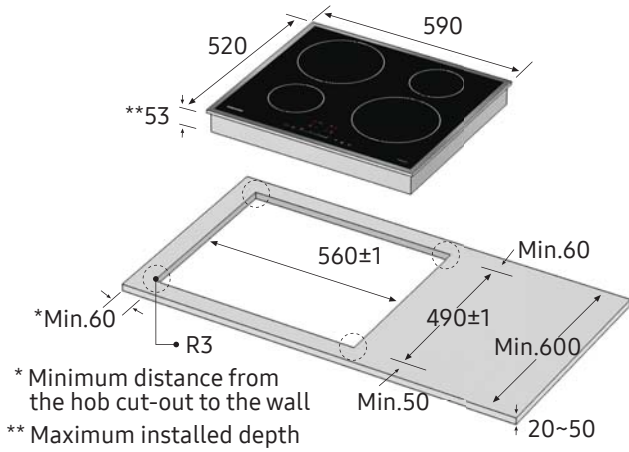
NZ64K7757BK

NZ64K5747BK



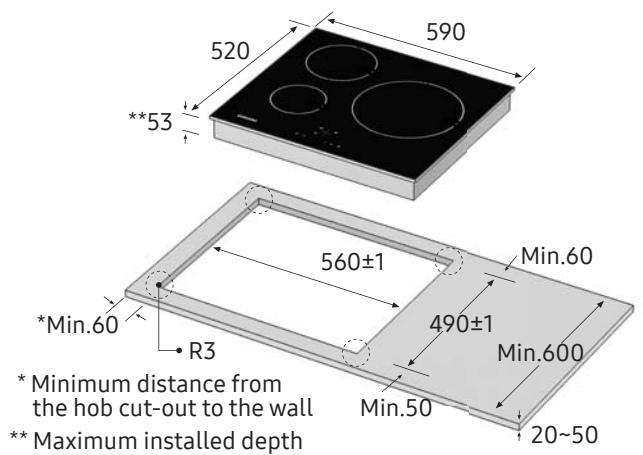
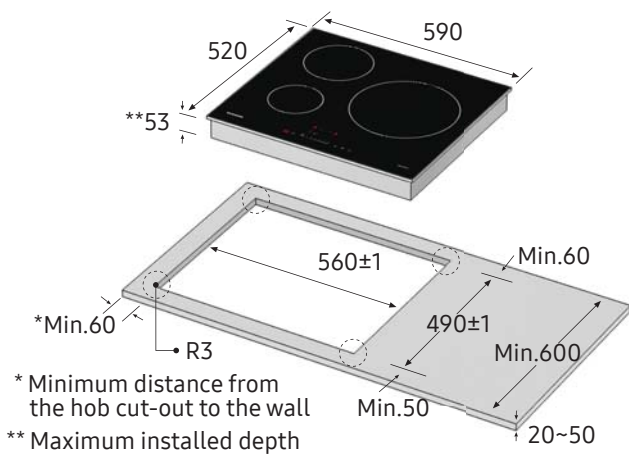
NZ64H37075K

NZ64H37070K



NZ63H37070K

NZ63F3NM1AB

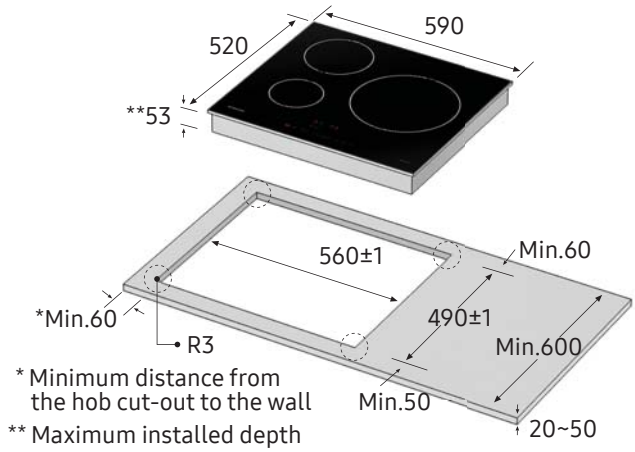
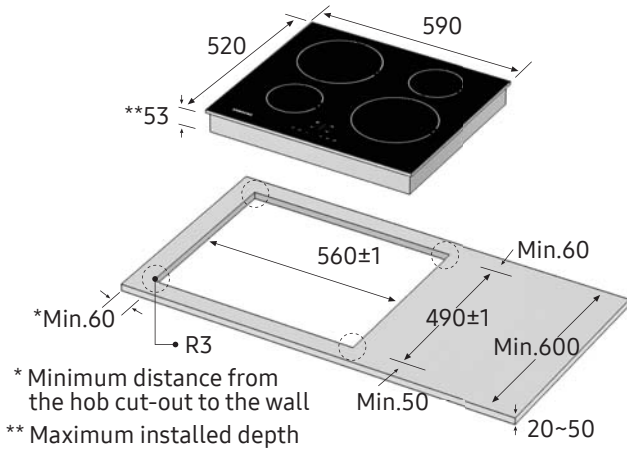


# Models / Induction Cooktop

## INSTALLATION GUIDE

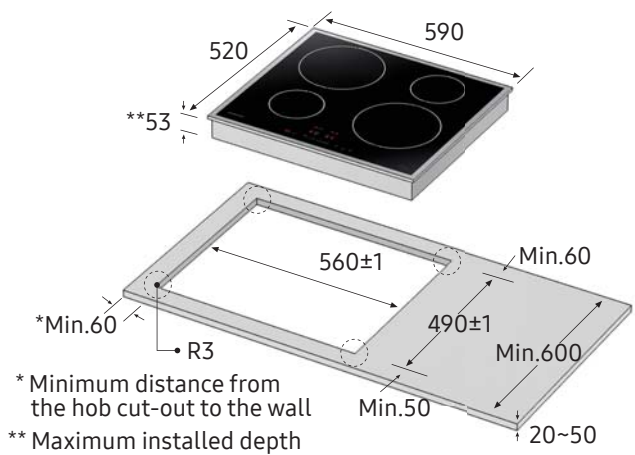
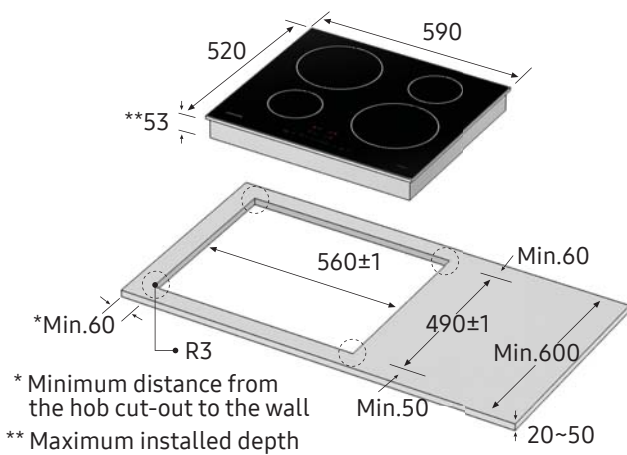
NZ64F3NM1AB

NZ63M3707AK



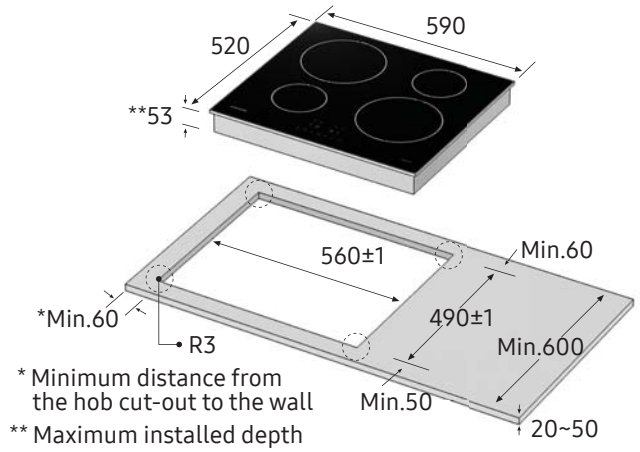
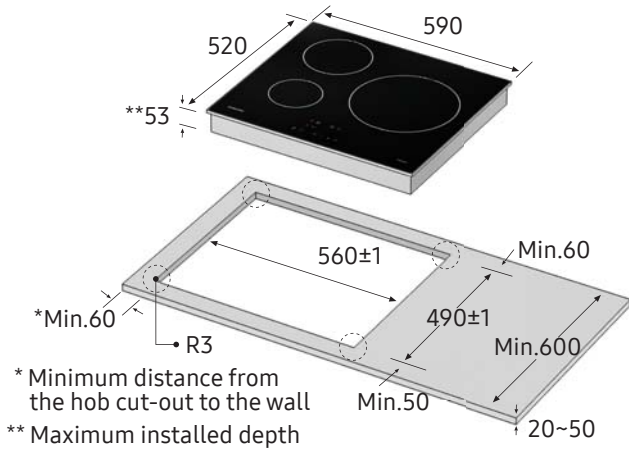
NZ64M3707AK

NZ64N3707AS

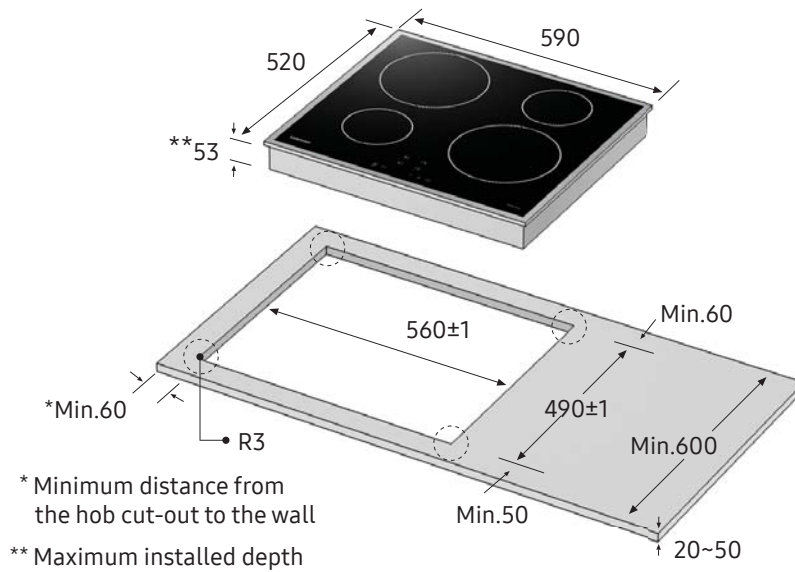


NZ63M3NM1BB

NZ64M3NM1BB



NZ64N3NM1BS



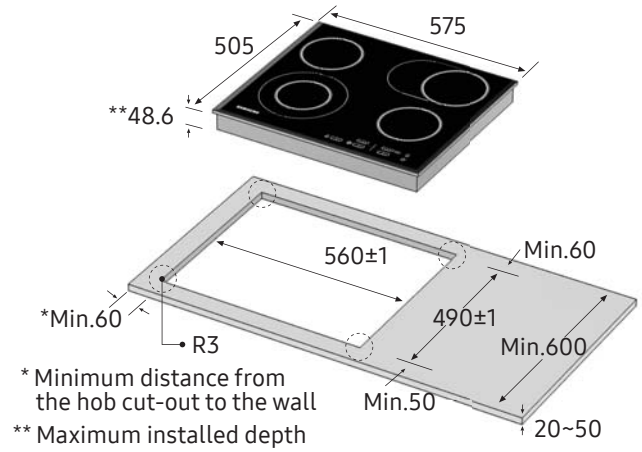
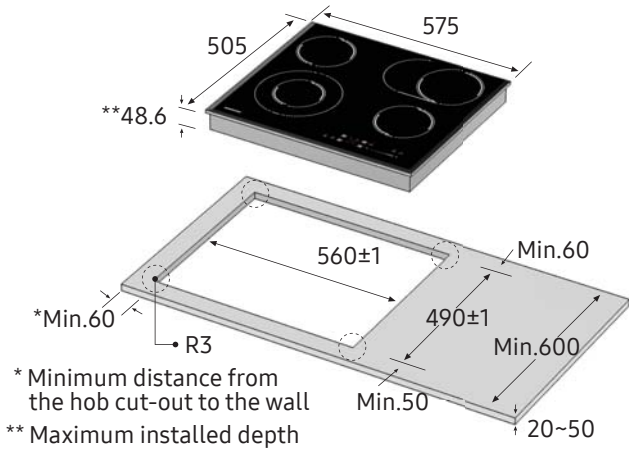


# Models / Ceramic Cooktop

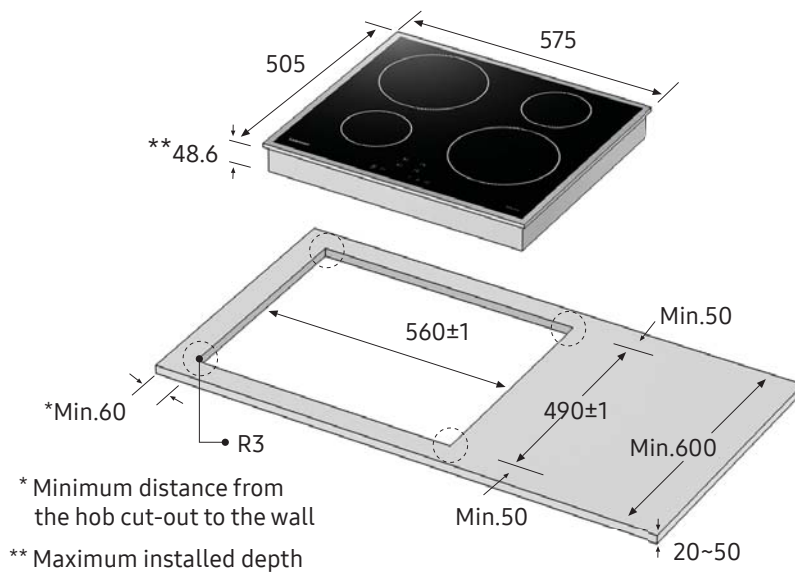
## INSTALLATION GUIDE

CTR164NC01

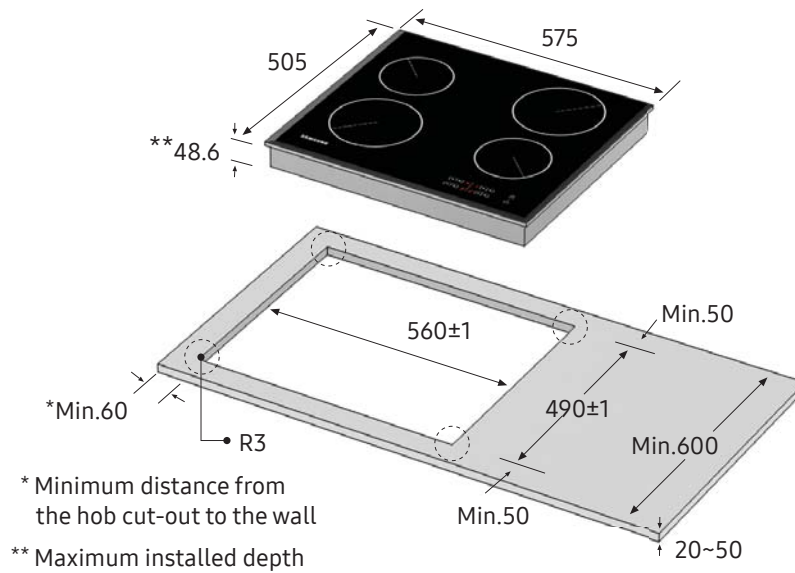
CTR364NC01



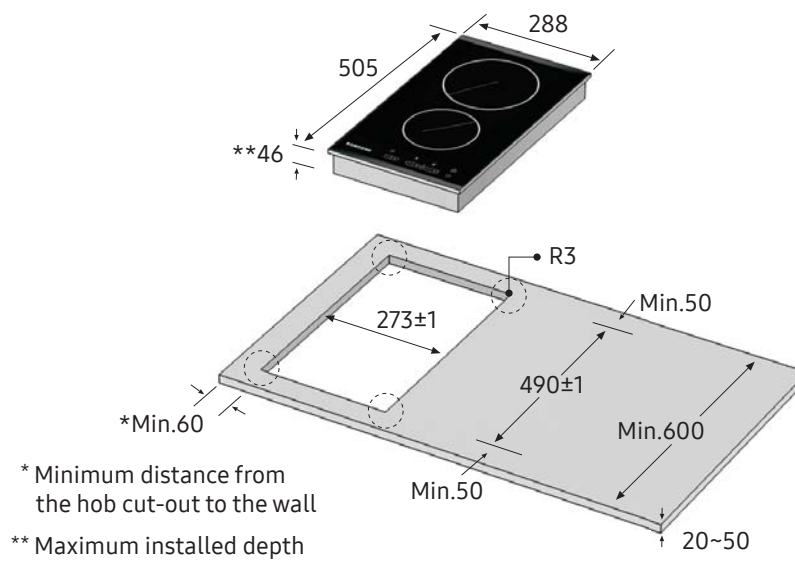
CTR464NC01



CTR464NB01



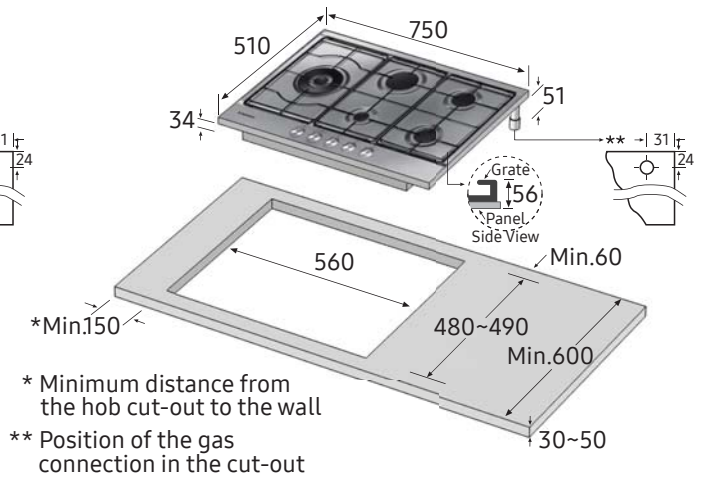
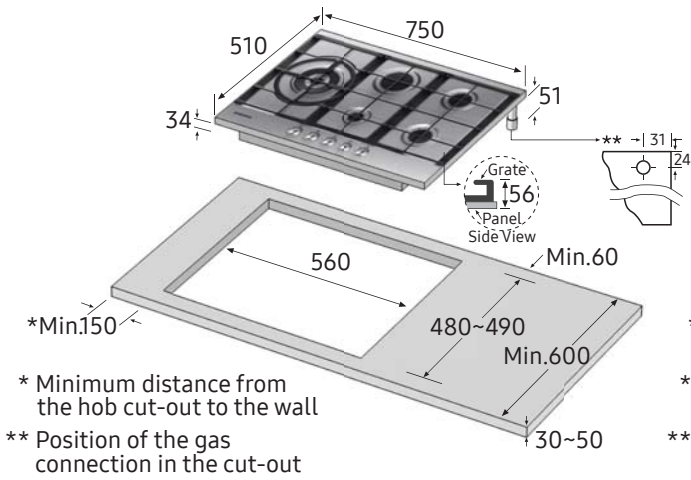
CTR432NB02



# Models / Gas Cooktop INSTALLATION GUIDE

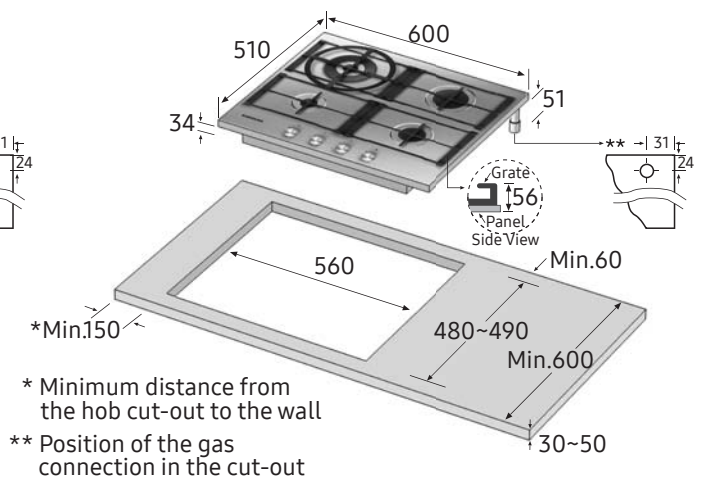
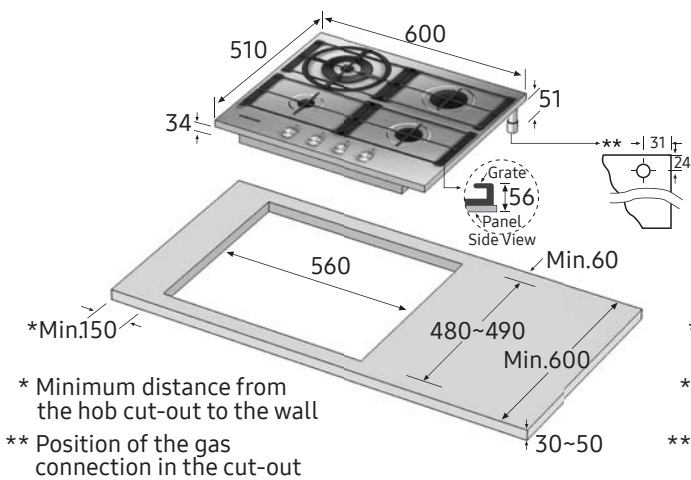
NA75J3030AS

NA75M3130AS



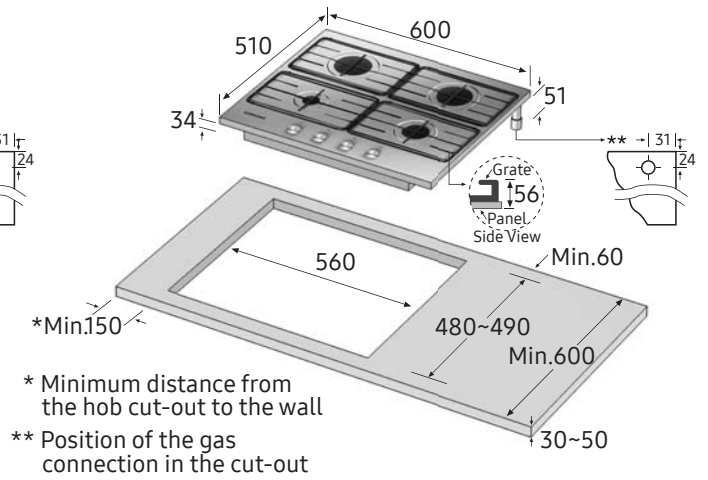
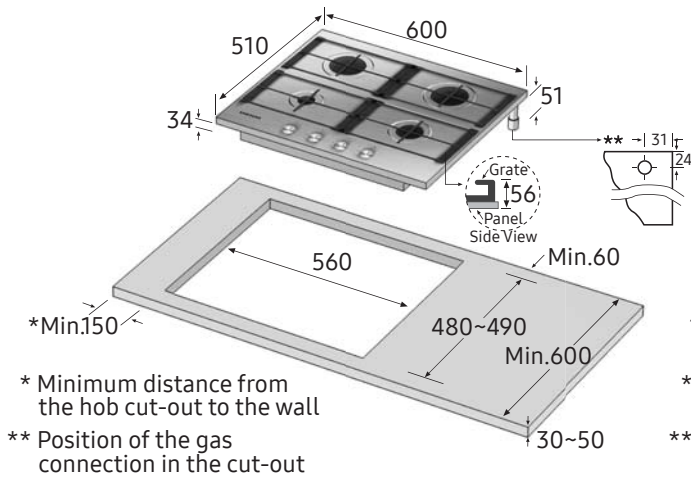
NA64H3040AS

NA64H3030AS



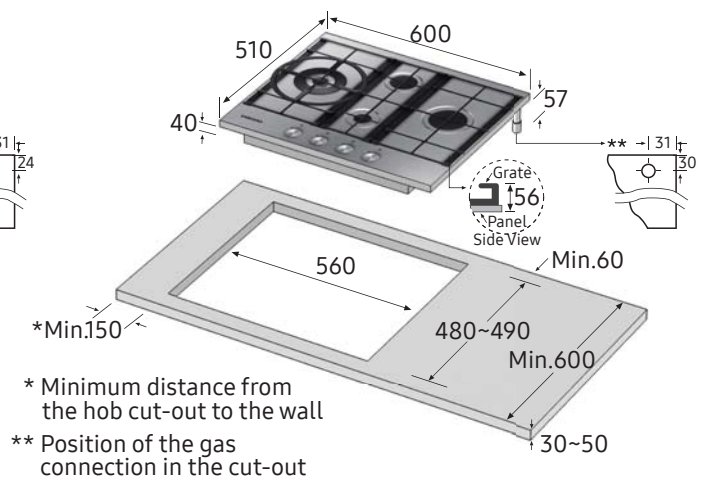
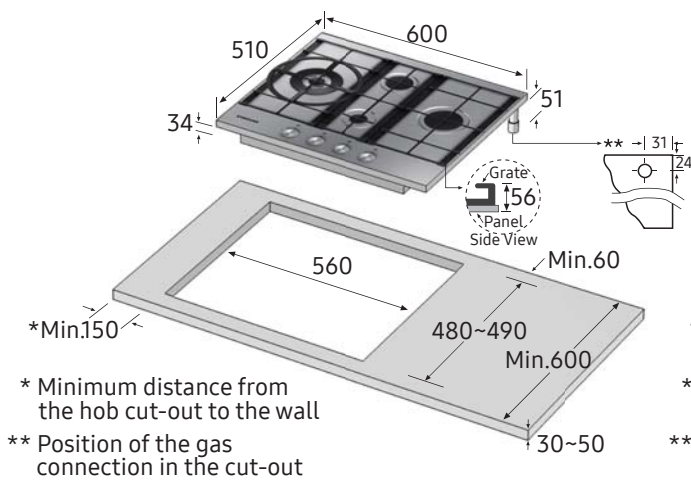
NA64H3010AS

NA64H3110AS



NA64H3041BS

NA64H3031BS

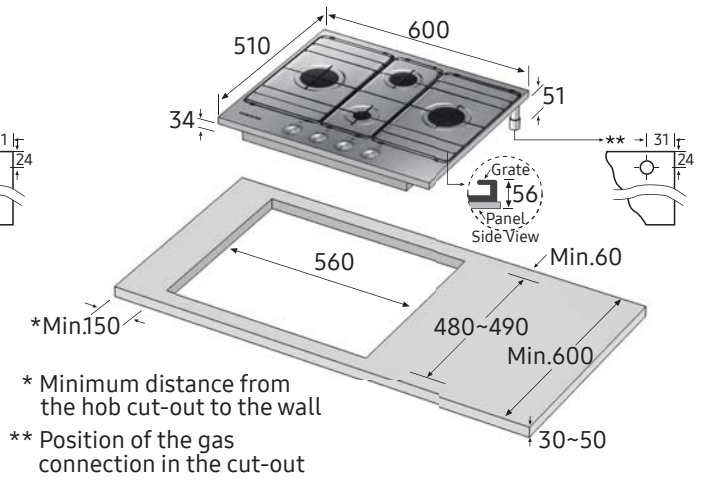
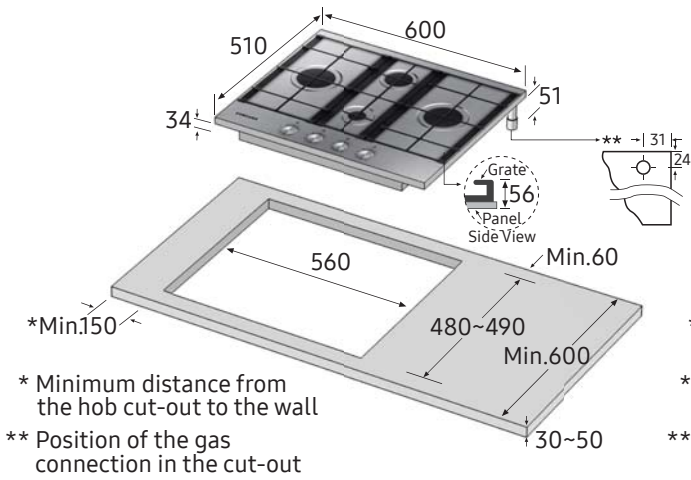


# Models / Gas Cooktop

## INSTALLATION GUIDE

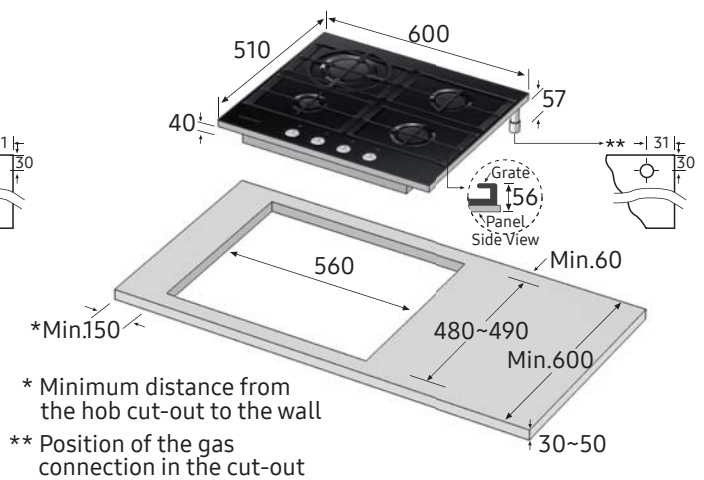
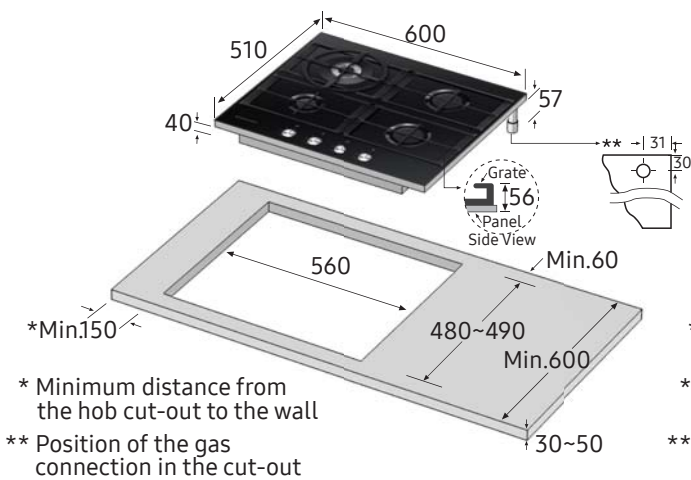
NA64H3010BS

NA64H3110BS



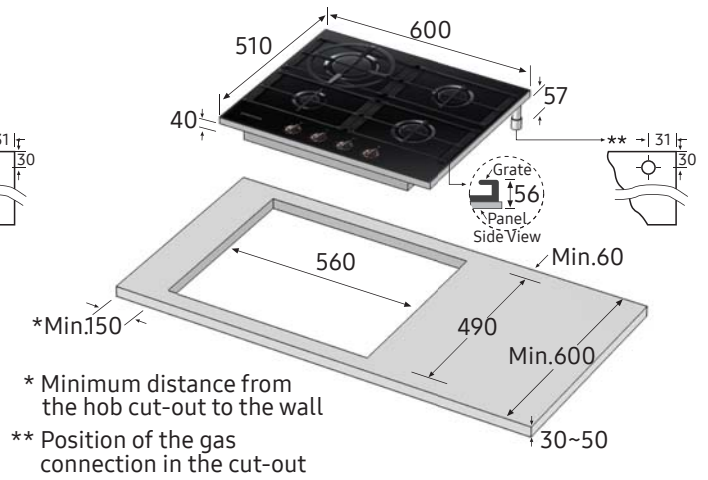
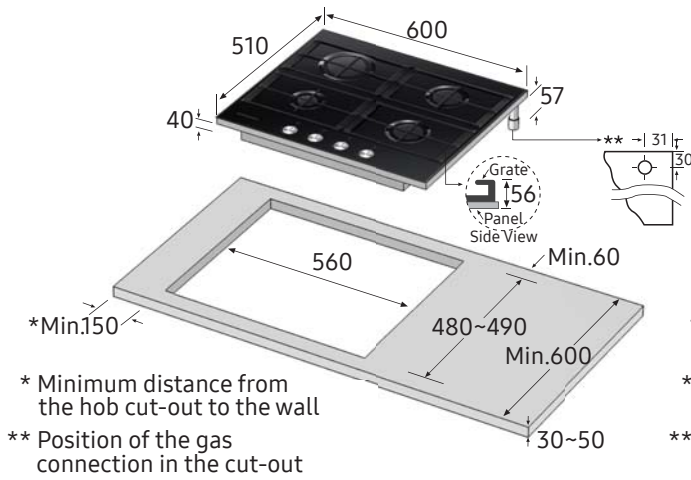
NA64H3031AK

NA64H3010AK



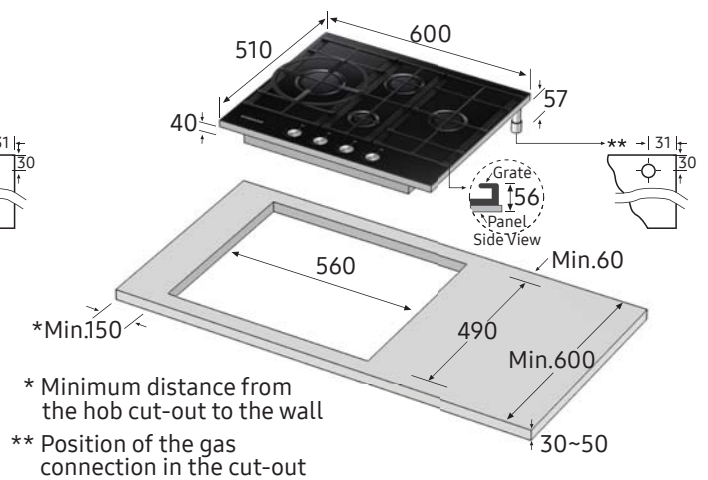
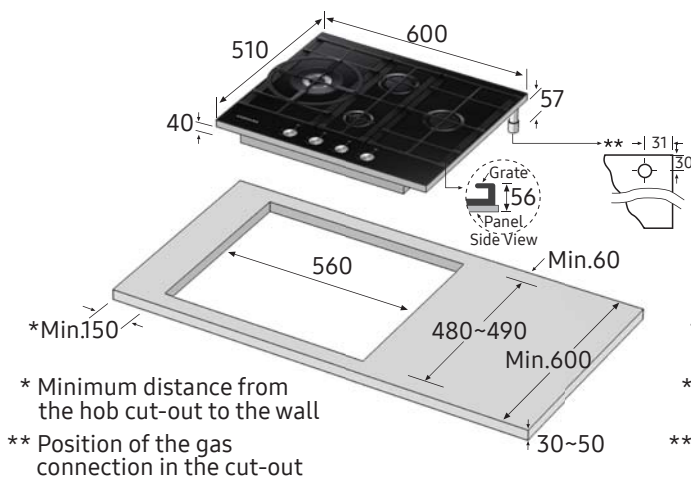
NA64H3000AK

NA64H3010CK



NA64H3030BK

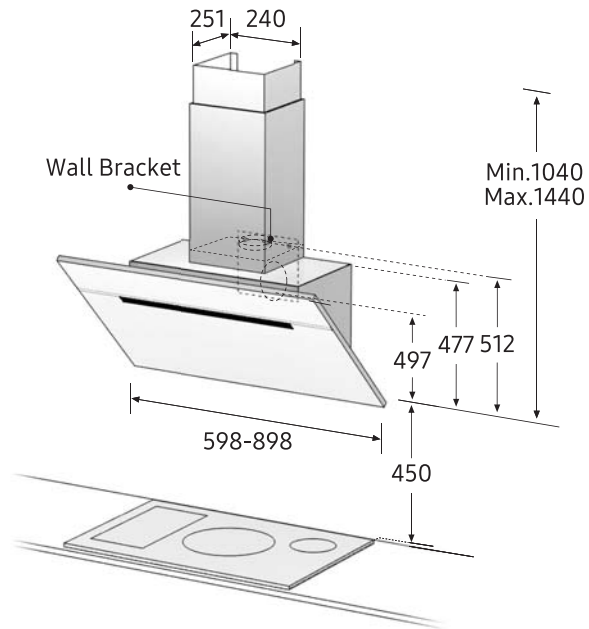
NA64H3010BK



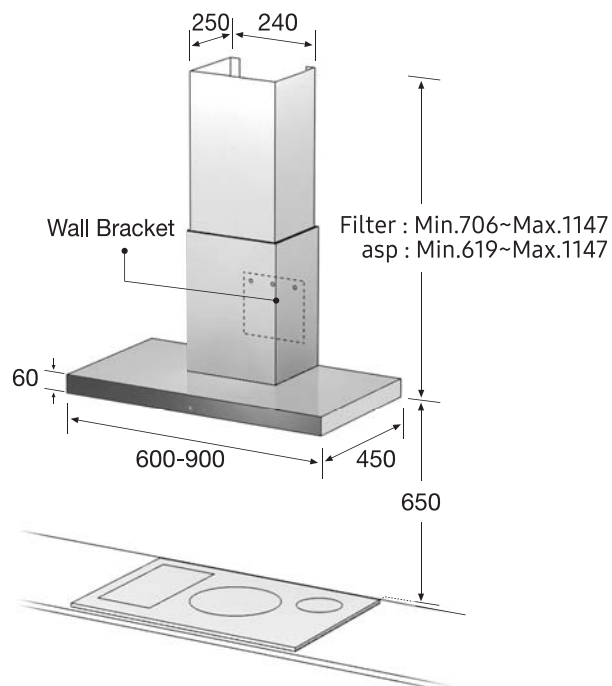
# Models / Hood

## INSTALLATION GUIDE

NK36N9804VB, NK24N9804VB / 90cm, 60cm  
NK36M7070VS, NK24M7070VS / 90cm, 60cm  
NK36M7070VB, NK24M7070VB / 90cm, 60cm



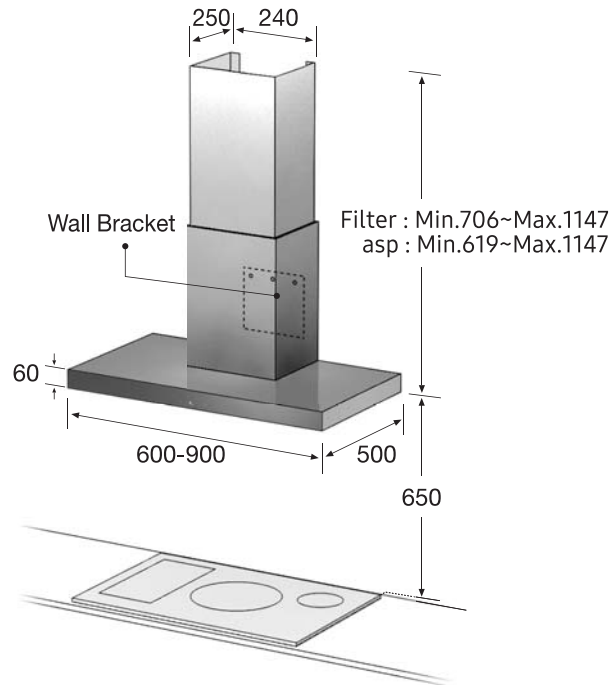
NK36N5703BS, NK24N5703BS / 90cm, 60cm  
NK36M5070BS, NK24M5070BS / 90cm, 60cm  
NK36M5060SS, NK24M5060SS / 90cm, 60cm



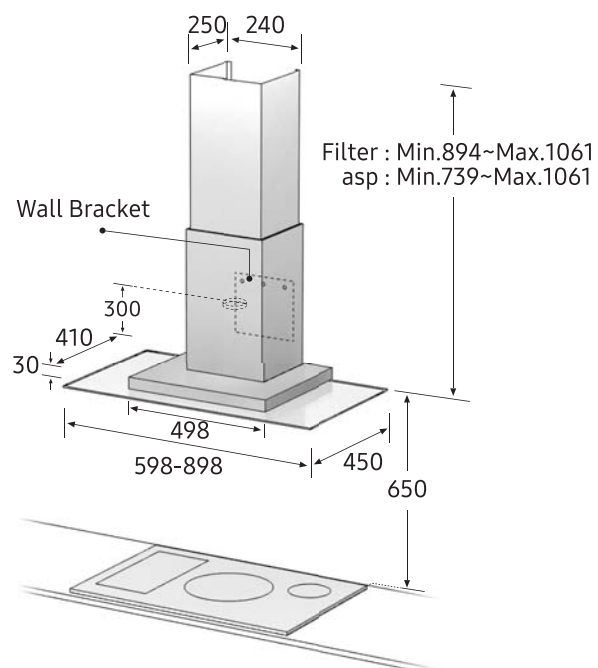
# Models / Hood

## INSTALLATION GUIDE

NK24N5703BM / 60cm  
NK36M5070BG, NK24M5070BG / 90cm, 60cm  
NK36M5070BM, NK24M5070BM / 90cm, 60cm



NK36M5070FS, NK24M5070FS / 90cm, 60cm

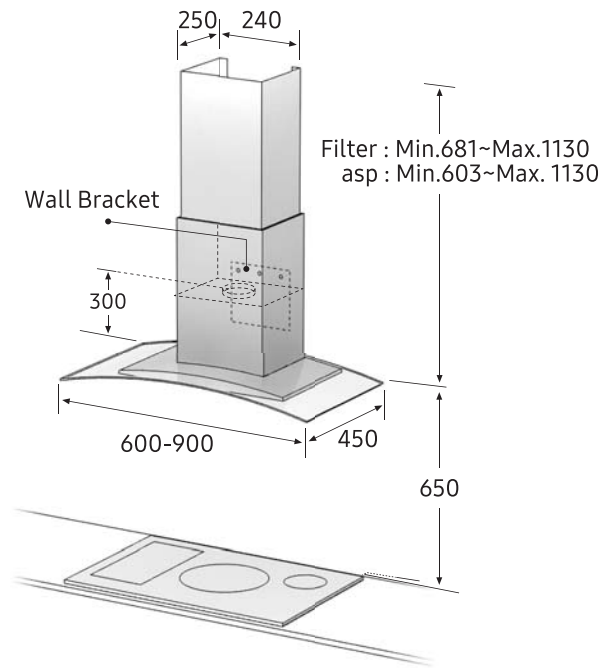




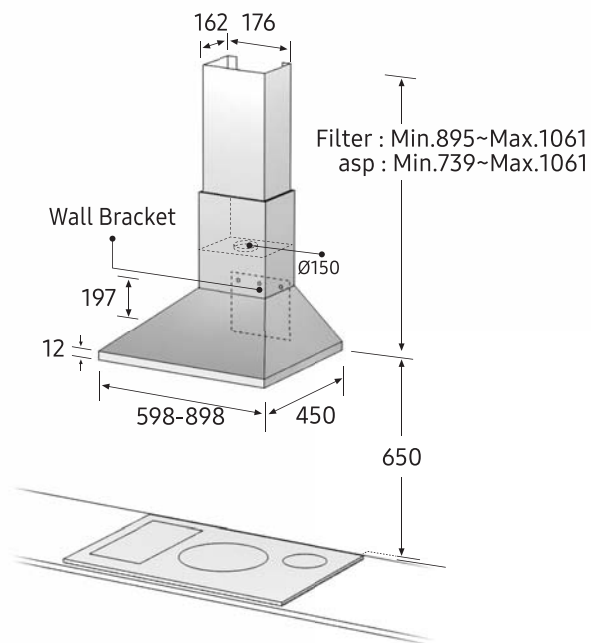
# Models / Hood

## INSTALLATION GUIDE

NK36M5070CS, NK24M5070CS / 90cm, 60cm



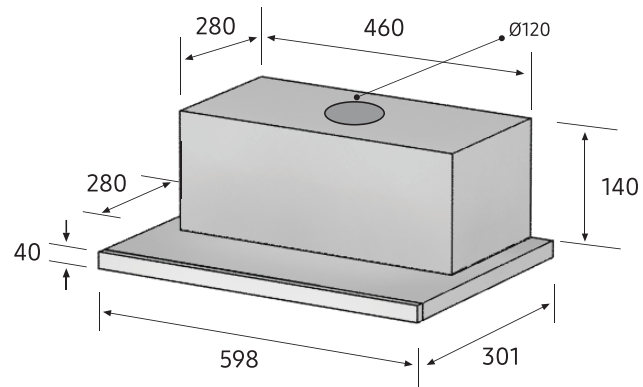
NK36M3050PS, NK24M3050PS / 90cm, 60cm



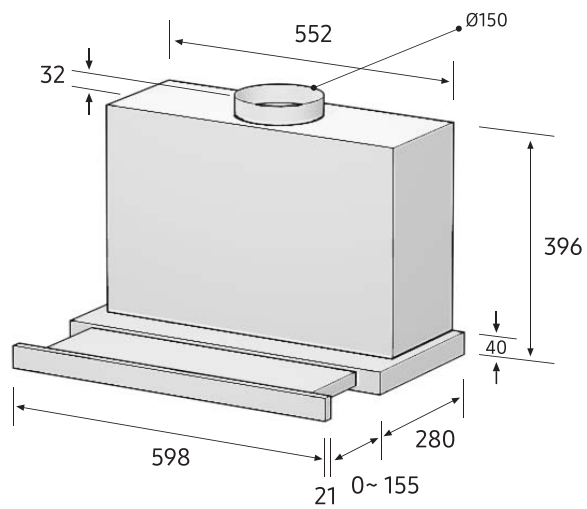
# Models / Hood

## INSTALLATION GUIDE

NK36M1030IS, NK24M1030IS / 90cm, 60cm  
NK24M1030IB / 60cm



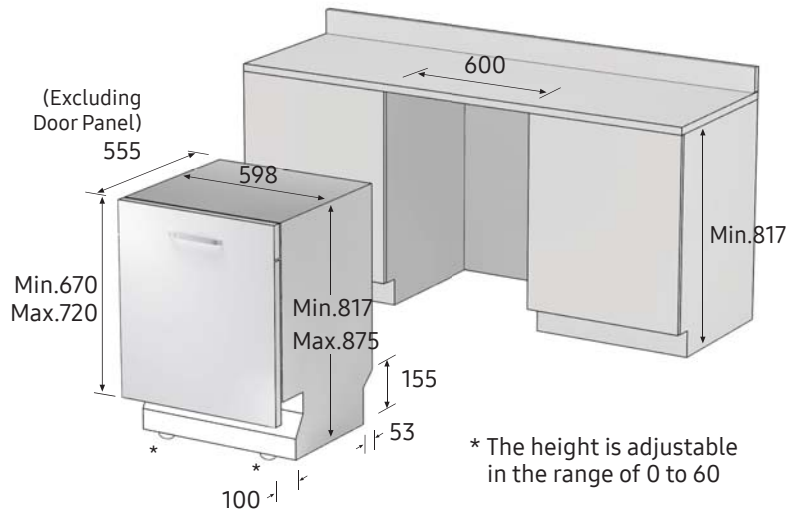
NK24N1331IS / 60cm



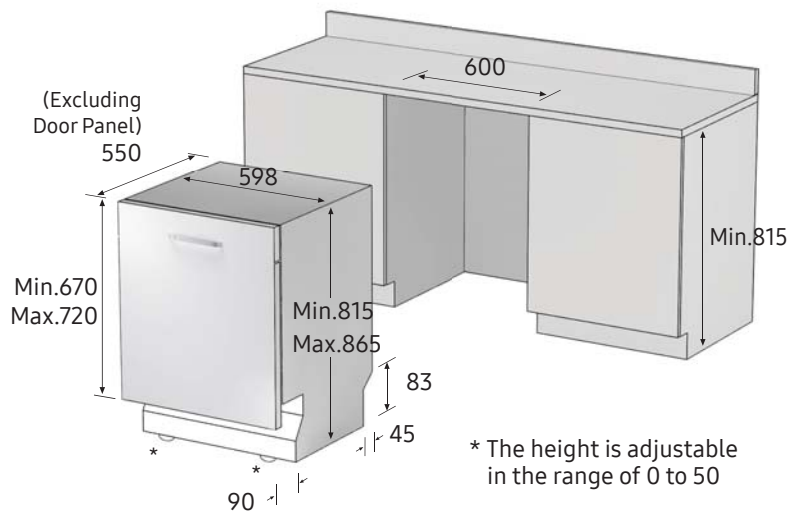
# Models / Fullsize Dishwasher (Fully Built-in)

## INSTALLATION GUIDE

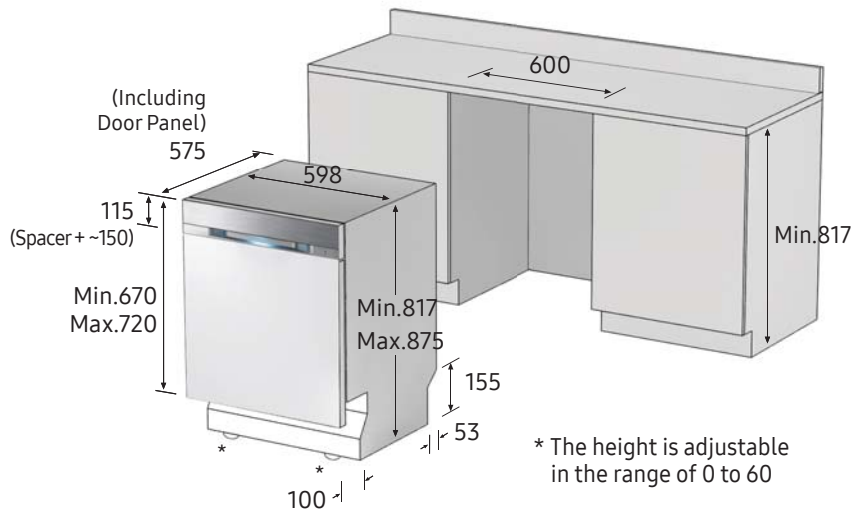
DW60M9550BB, DW60M9530BB



DW60M6050BB, DW60M6040BB

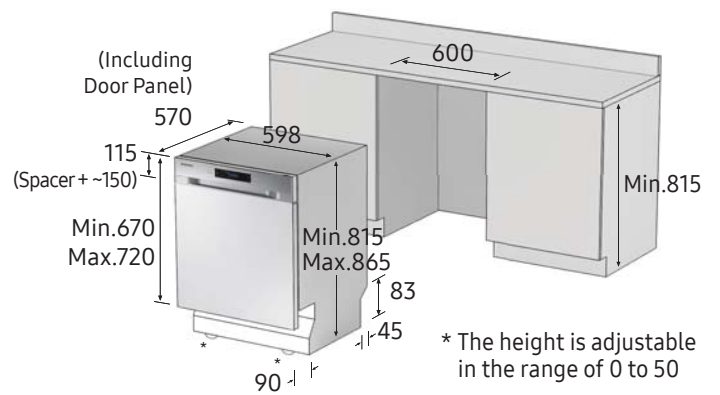
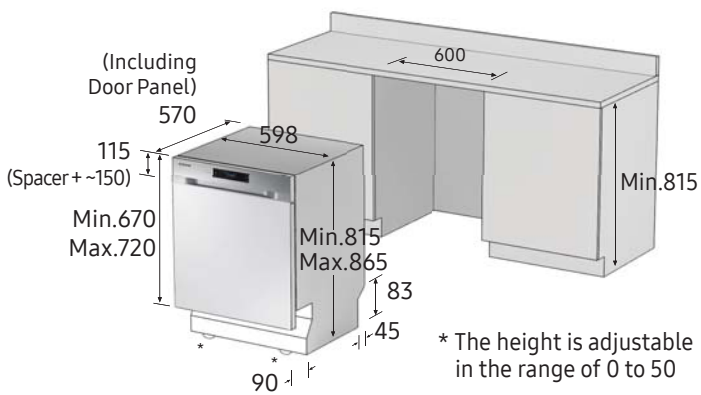


DW60M9970SS, DW60M9550SS



DW60M6050SS

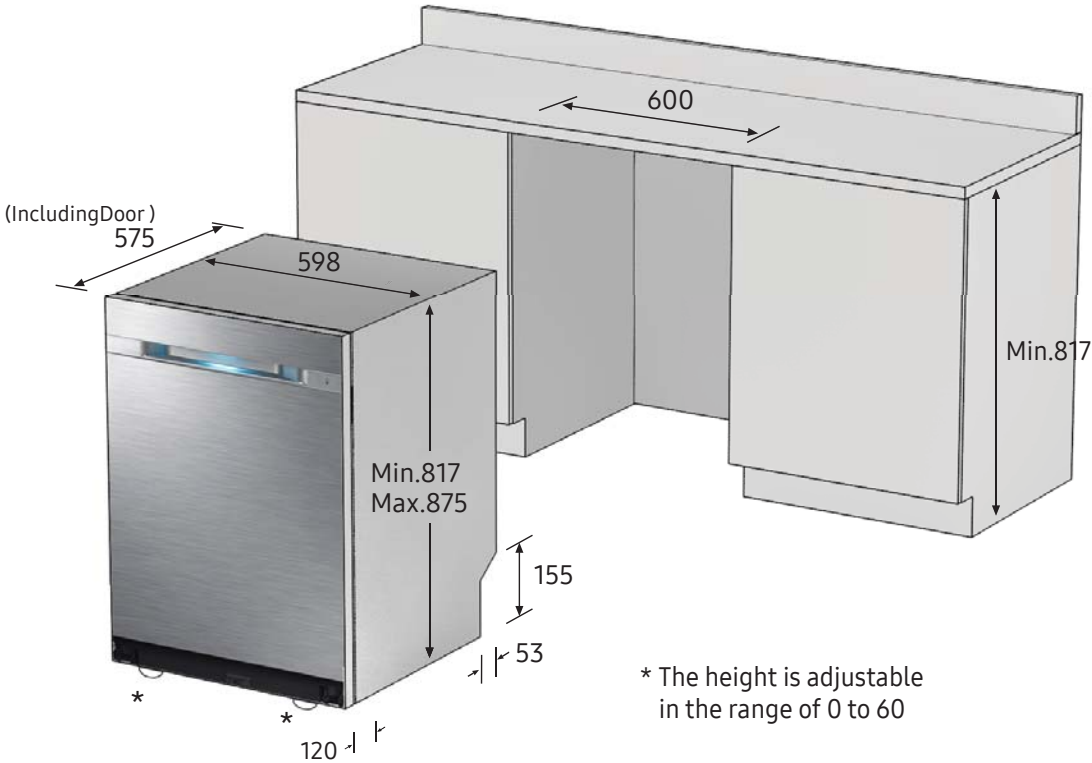
DW60M6040SS



# Models / Fullsize Dishwasher (Built Under)

## INSTALLATION GUIDE

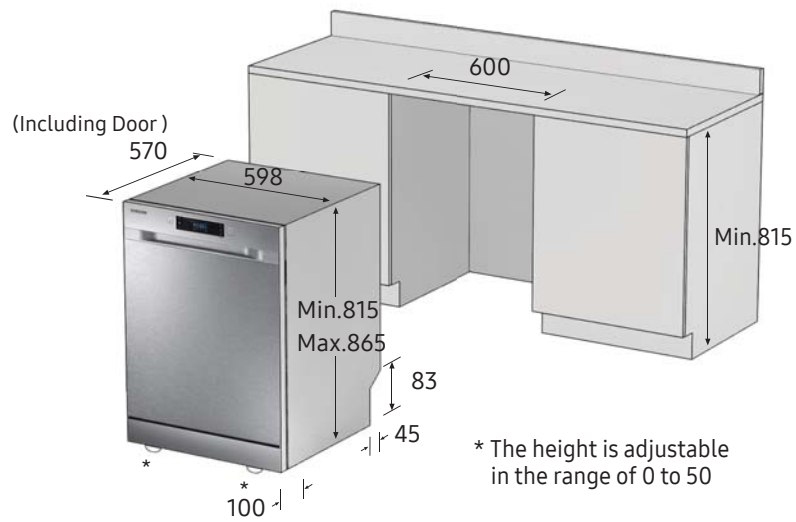
DW60M9970US, DW60M9550US



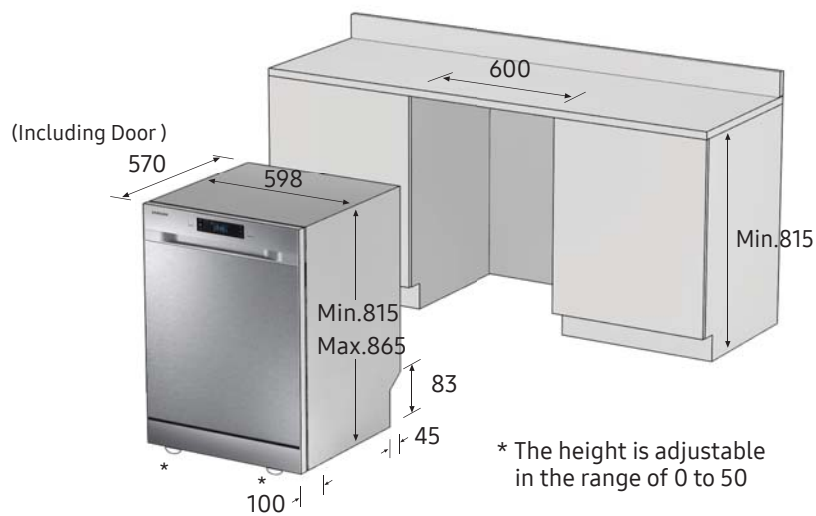
# Models / Fullsize Dishwasher (Built Under)

## INSTALLATION GUIDE

DW60M6050US, DW60M6050UW, DW60M6051US, DW60M6051UW



DW60M6040US, DW60M6040UW







## Samsung Service

Samsung Customer Service is here to help you throughout the lifetime of your appliance. We provide everything from an expert repair service to helpful advice – giving you the level of service you expect from Samsung.

### Repair

When you buy a Samsung appliance you choose reliability and the best in quality. If, however, you require any help, Samsung Service can provide rapid and reliable assistance.

### Online Support

Many common issues can be easily solved with the correct advice. Our online FAQs give you helpful hints and tips to keep your appliance performing at its best.  
[www.samsung.com](http://www.samsung.com)

### Contact us

Our customer service advisors are here to help 24 hours a day, seven days a week.

### Register your appliance and warranty

You should register all your appliances and warranties with Samsung to ensure we have full records in the event of any important product updates.

[insert where a customer should go to register their appliance e.g. [www.samsung.com](http://www.samsung.com)]





