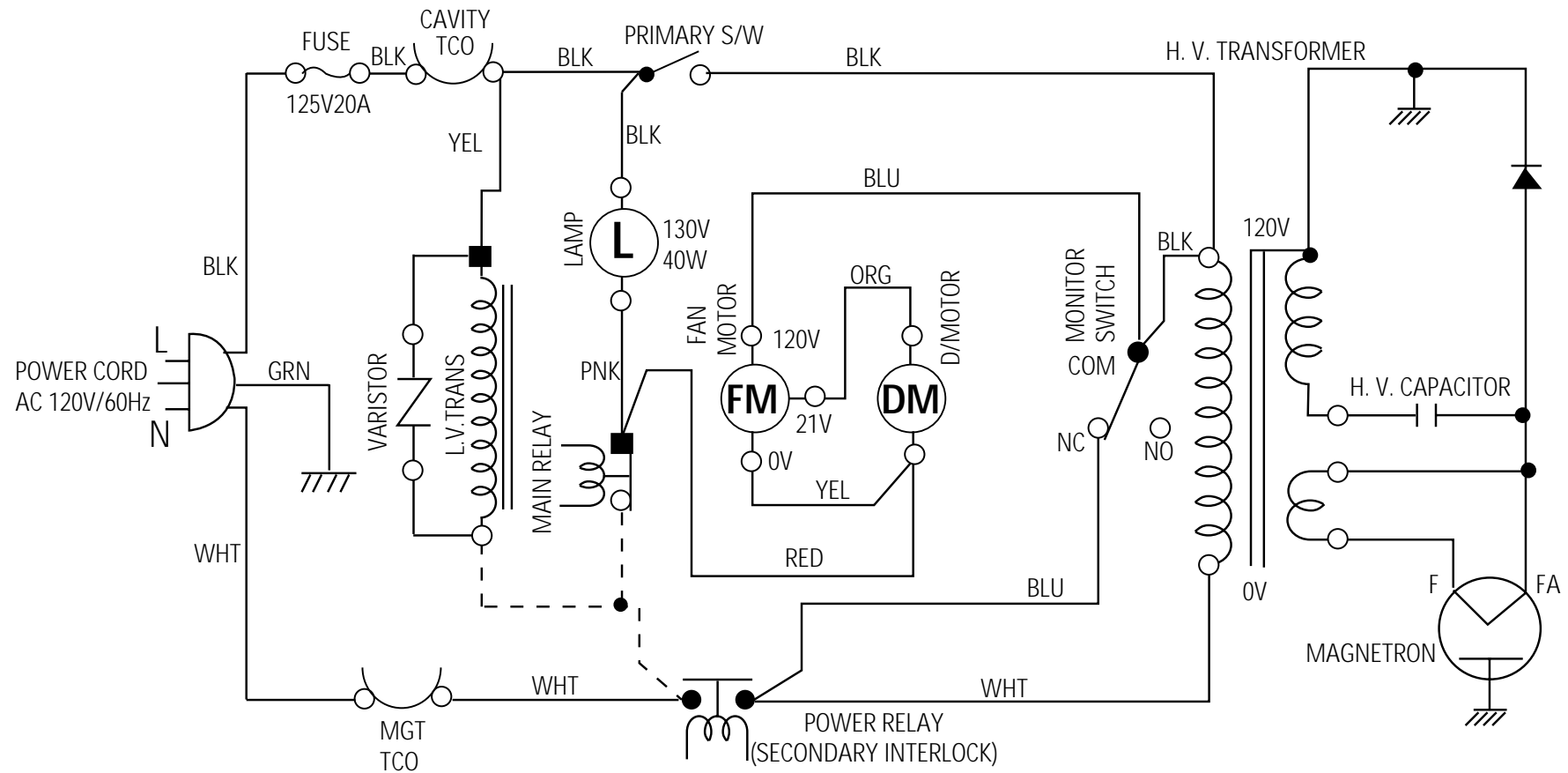


# Schematic Diagrams

## WARNING

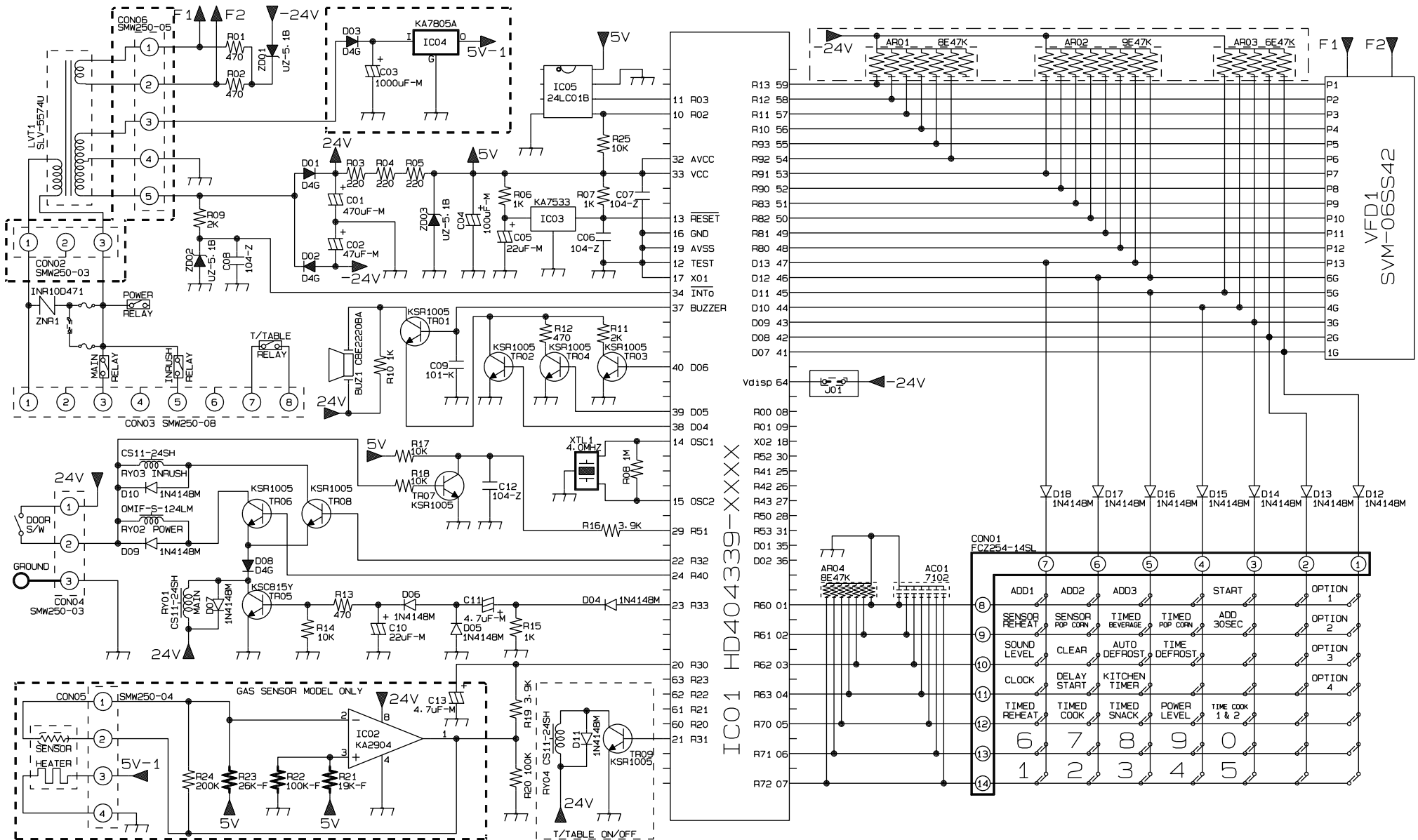
POWER MUST BE DISCONNECTED  
BEFORE SERVICING THIS APPLIANCE



NOTE: CIRCUIT SHOWN WITH DOOR IS OPENED POSITION.  
NOTE: FOR SERVICE REPLACEMENT USE 16 GA 105° C  
THERMOPLASTIC COVERED WIRE EXCEPT  
FOR HIGH VOLTAGE LEADS OR AS NOTED ON SPECIAL LEADS.

1. INPUT : 120V 60HZ
2. DOOR : OPEN
3. LAMP : ON
4. - - - - : P.C.B PATTERN
5. ■ : P.C.B IN/OUT POINT

# P.C.B Diagrams



## NOTE

1. DOOR IS OPENED.
2. L --- O. T. P MICOM → INSERT.
3. □ --- O. T. P MICOM → DELETE.

DIGRAM ELECTRIC

G. E-3rd (N/HELP-SCREEN)