

# Smart Wire-Free Security Camera System

Model: Tapo C400S2

Smart. Secure. Easy.

 180-Day Battery Life\*

 1080p Full High Definition

 Smart AI Detection and Notification

 IP65 Water & Dust Resistant



works with 

 works with Google Home

  
2-Camera System

## // Highlight

### Smart AI Detection and Notification

Smart AI identifies people, pets, and cars, notifying users as needed.

### Flexible Storage Choices

Save recorded videos on the hub-installed microSD card<sup>†</sup> (Up to 256GB) or using Tapo Care<sup>\*\*</sup> cloud storage service.

## // Features



### 180-Day Battery Life\*

The rechargeable and removable battery with a low-power protocol extends your usage.



### 1080p Full HD Live View

Check 24hrs clear live view through the Tapo app.



### IP65 Weatherproof

Helps Tapo C420S2 perform well even in harsh environments with rain and dust.



### Sound Alarm

Trigger sounds as an alarm when motion is detected.

Note: Hub Indoor Use Only



### Wire-Free Placement

No wires means you can place the cameras almost anywhere inside or outside – whatever works for you!



### Two-Way Audio

Communicate in real time through a built-in microphone and speaker.



### Activity Zone

Notifies you when activity is detected in your specific zone.

## // Specifications

### Camera

- Image Sensor: 1/3"
- Resolution: 1080p Full HD (1920 × 1080 px)
- Night Vision: 850 nm IR LED up to 49 ft/15m
- Lens: F/NO: 2.0±5%; Focal Length: 3.15mm±5%
- View Range: 114°

### Audio

- Audio Communication: 2-way audio
- Audio Input & Output: Built-in microphone and speaker

### Video

- Video Compression: H.264
- Frame Rate: 15/20 fps
- Video Streaming: 1080p
- Audio Compression: G.711

### Activity Notifications

- Input Trigger: Motion detection, Person detection, Pet detection, Vehicle detection.
- Output Notification: Notification, Snapshot(Tapo care), Clips(Tapo care).

### Network

- Wireless Protocols: IEEE 802.11b/g/n, 2.4 GHz
- Frequency: 2.4 GHz
- Wireless Security: WPA/WPA2-PSK
- Security: 128 bit AES encryption with SSL/TLS
- Protocol: TCP/IP, ICMP, DNS, HTTPS, TCP, UDP

## // Specifications

### Hardware

- Camera Adapter Input: 100-240 V, 50/60 Hz
- Camera Adapter Output: 5.0 V, 1.0 A
- Camera Typical Power Consumption: 0.673 W
- Camera Maximum Power Consumption: 1.356 W
- Hub Adapter Input: 100-240 V, 50/60 Hz, 0.3 A
- Hub Adapter Output: 9.0 V, 0.85 A
- Hub Maximum Power Consumption: 9 W
- External Storage: microSD card slot †(Supports up to 256 GB)
- Camera Dimensions (L x W x H): 4.35 x 2.52 x 2.52in. (110.6\*64.2\*64.2 mm)
- Hub Dimensions (L x W x H): 2.8 x 2.8 x 1.2 in. (71.45\*71.45\*31.25 mm)

†microSD card needs to be purchased separately.

\*180-day battery life is based on TP-Link's laboratory testing with 10-20 triggered events per day. Actual battery life may vary based on device settings, use, and environmental factors.

\*\*Tapo Care needs to be subscribed separately.

### Others

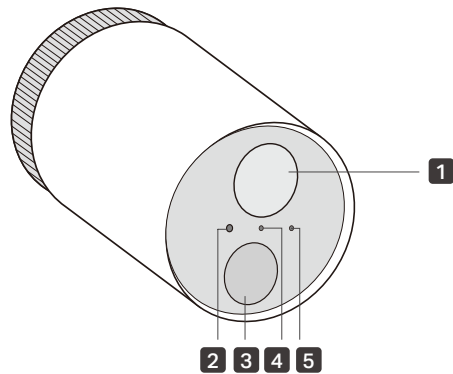
- Certification: CE, RoHS, RCM
- Package Contents:
  - Tapo C400 Cameras (Battery Included)
  - Tapo H200 Hub
  - USB Adapter
  - USB Adapter Cable
  - DC Power Adapter
  - Mounting Screws
  - Mounting Templates
  - Camera Brackets
  - Quick Start Guide
  - RJ45 Ethernet Cable
- Operating Temperature: -20 °C~45 °C(-4 °F ~113 °F)
- Storage Temperature: -20 °C~60 °C (-4 °F~140 °F)
- Operating Humidity: 10%~90%RH, Non-condensing
- Storage Humidity: 5%~90%RH, Non-condensing

Specifications are subject to change without notice. All brands and product names are trademarks or registered trademarks of their respective holders.

©2023 TP-Link

## // Device Appearance

Front



**1** Lens

**2** Light Sensor

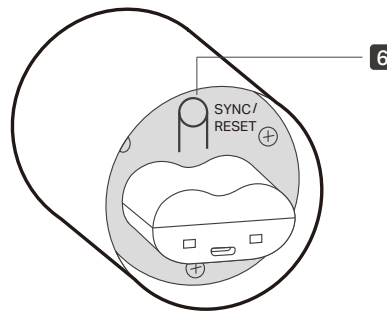
**3** Motion Sensor

**4** Status LED

Indicate the status of your camera.

**5** Microphone

Back



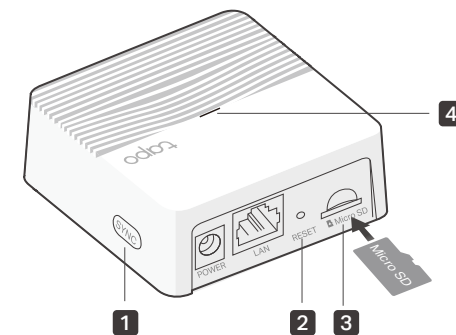
**6** SYNC/RESET Button

While the camera is powered on:

Press for 1 second: Pair with the hub

Press and hold for about 5 seconds: Reset the camera

Hub Appearance



**1** SYNC Button

Press to pair with the camera, or silence the hub when it rings.

**2** RESET

Use a pin to press and hold for about 5 seconds until the hub LED quickly blinks red to reset the hub.

**3** microSD Card Slot

Insert a microSD card to record camera videos locally. Initialize the microSD card within the Tapo app first.

\*microSD card not included.

**4** Status LED

Indicate the status of your hub.