

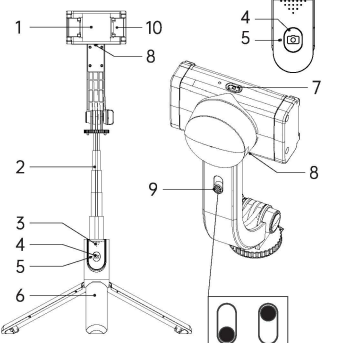
单轴稳拍器

用户手册



型号: R15

产品概述




1. 稳拍器
2. 伸缩杆
3. 蓝牙遥控器
4. 遥控器电源/拍照键
5. 遥控器电源指示灯
6. 三脚架
7. 电源键
8. 稳拍器充电接口
9. 横滚轴锁
10. 手机夹

蓝牙遥控器

第1步: 在手机上, 依次点击 设置 > 蓝牙, 并将手机蓝牙打开。
 第2步: 长按拍照键 (约2秒) 直至指示灯闪烁后成功开机。
 第3步: 当搜索到名为"Selfie"的蓝牙设备时, 点击并选择配对。
 第4步: 打开相机APP, 按下拍照键即可拍摄照片或视频。
 第5步: 长按拍照键 (约3秒) 直至指示灯熄灭后成功关机。

使用视频教程



请扫码获取视频教程

稳定器使用

1. 将横滚轴锁拨至解锁位置。并将稳拍器三脚架打开放在水平桌面上。
2. 将手机置入手机夹中, 调整手机位置, 直至可以使手机自然旋转至接近水平位置。

- 开启稳拍器电源前必须先将横滚轴锁拨至解锁位置, 否则将有可能导致稳拍器损坏。

故障排除


1. 稳拍器\遥控器\补光灯无法开机: 请接上电源为设备充电。
2. 开机后蓝牙遥控器无法连接/无法正常工作: 移除手机上的蓝牙配对, 重启蓝牙遥控器后重新配对连接。
3. 电机连发三次提示音: 为稳定器电机运动受阻所致, 请立即关闭稳定器电源并检查横滚轴锁是否解除, 或更换较轻的拍摄设备。

注意事项

1. 请勿将产品置于低温、潮湿环境保存。
2. 请勿将产品置于曝晒、火烤等高温环境。
3. 请勿在设备被限制的场所中使用, 避免违反公共秩序。
4. 本产品含有电池, 请放置于婴幼儿触摸不到的地方, 防止小孩误吞。
5. 产品图片、尺寸仅供参考, 请以所购买款式为准。

感谢您的支持!


合格证



FC CE RoHS

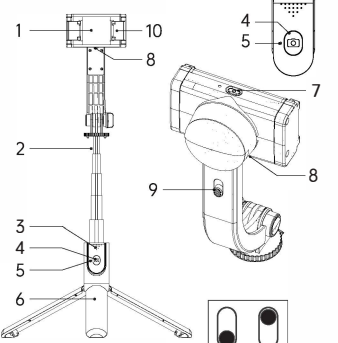
Single Axis Stabilizer

Instructions



Model: R15

Product Overview




1. Stabilizer
2. Telescopic Stick
3. Rmote
4. Power Button/Shutter
5. LED
6. Tripod Stand
7. Power Button
8. Charging Port
9. Roller Lock
10. Mobile Phone Clip

Bluetooth remote control

Step 1: On your phone, tap Settings > Bluetooth, and then turn on the Bluetooth.
 Step 2: Hold down the shutter button (about 2s) until indicator light starts flashing to turn on the remote control.
 Step 3: Once the Bluetooth name of "Selfie" appears in the display, select it and tap "pair".
 Step 4: Press the Shutter button to take photos.
 Step 5: Hold down the shutter button (about 3s) until indicator light goes out to turn off the remote control.

Video Tutorials



Please scan the code for video tutorials

Stabilizer

Step1: Unlock the Roller lock and place the stabilizer on a horizontal table with tripod up.
 Step2: Put the mobile phone into the mobile phone clip and adjust the position of the mobile phone until it can rotate naturally to close to the horizontal position.
 *Before turning on the power supply of the stabilizer, you must turn the roller lock to the unlocked position first, otherwise the stabilizer may be damaged.

FCC Warning Statement


Changes or modifications not expressly approved by the party responsible for compliance could void the user's authority to operate the equipment. This equipment has been tested and found to comply with the limits for a Class B digital device, pursuant to Part 15 of the FCC Rules. These limits are designed to provide reasonable protection against harmful interference in a residential installation. This equipment generates uses and can radiate radio frequency energy and, if not installed and used in accordance with the instructions, may cause harmful interference to radio

communications. However, there is no guarantee that interference will not occur in a particular installation. If this equipment does cause harmful interference to radio or television reception, which can be determined by turning the equipment off and on, the user is encouraged to try to correct the interference by one or more of the following measures:

- Reorient or relocate the receiving antenna.
- Increase the separation between the equipment and receiver.
- Connect the equipment into an outlet on a circuit different from that to which the receiver is connected.
- Consult the dealer or an experienced

Thanks for your support!

Certificated



FC CE RoHS