



MAXX™

ELITE

**FOR TECHNICAL ASSISTANCE:
CONTACT YOUR LOCAL DISTRIBUTOR**

For a list of distributors, visit the Merit Industries, Inc. web site

www.meritind.com



merit industries, inc.

PM0293-01

Table of Contents

Quick Setup	p. 1	Megatouch MAXX Video Billboard Operating Instructions	
Site Preparation	p. 1	Video Billboard Icon Functions	p. 10
Game Description	p. 2	Video Billboard Font Controls Screen	p. 11
CPU Section	p. 2	Video Billboard Clip Art Controls Screen	p. 11
Coin Drawer Section	p. 2		
General Care and Maintenance	p. 2	Megatouch MAXX Elite™ Hardware	
Screen Calibration	p. 2	Troubleshooting Guide	p. 12-13
General Circuit Board Handling Information	p. 3	Parts List and Illustrations	
Cleaning the Cabinet	p. 3	Game Illustrations	p. 14-16
Cleaning the Touchscreen Monitor	p. 3	Replacement Parts List	p. 17
Cleaning the Fans and Vents	p. 3	Sidecar Installation (International Games Only)	p. 18
Megatouch MAXX Elite™ Software Instructions		Removing an Endcap	p. 18
Options Settings	p. 4	Attaching a Sidecar	p. 18
Game Name and Score Needed for Initial Replay	p. 5	Replacing an Endcap	p. 18
Megatouch MAXX Elite™ Game Operation		Warranty and Software License Agreements	
Game Setup	p. 6	Warranty	p. 19
System Settings	p. 6-7	Software License Agreements	
Game Menu	p. 7	English	p. 20-21
Coin-In Menu	p. 8	French	p. 22-23
Books Screen	p. 9	German	p. 24-25

MEGATOUCH MAXX ELITE™ QUICK SETUP

Site Preparation

- Place the game on a flat, level and stable surface.
- Place the game in a location that does not interfere with its proper ventilation.
- Plug the game into a grounded electrical outlet on a separate circuit, if possible. If a separate circuit is not available, care should be taken to provide a clean and constant voltage.
- Make sure that all fans are operating correctly and that airflow is unobstructed. If any fans are not operating, it is important that they be serviced.
- Make sure nothing is placed on top of the cabinet or next to the fan vents that would inhibit the flow of air.

Remove the vinyl pouch containing this manual, warranty card and keys (located on the top or back of the cabinet). Put the warranty card and keys aside for future use. Clean any adhesive residue that may be left on the cabinet after removing the vinyl pouch.

NOTE: INSIDE THE POUCH ARE TWO SETS OF KEYS: ONE SET UNLOCKS THE REAR DOOR AND THE OTHER SET UNLOCKS THE COIN DRAWER.

Locate the power switch on the back of the game and push the rocker switch to the "ON" position.

Turn on the game and wait for it to go through its boot-up sequence. At the completion of the boot-up sequence, the game will display the main menu screen.

ADJUSTING THE VOLUME AND MONITOR CONTROLS

NOTE: THE VOLUME AND MONITOR CONTROLS ARE PRESET AT THE FACTORY AND THEREFORE MAY NOT NEED TO BE ADJUSTED.

1. The volume control is accessed through the software; to access the volume control, press the SETUP button located on the connector board in the CPU section of the game (see Figure 10). Then touch the SYSTEM SETTINGS icon at the Setup Screen, then touch the VOLUME CONTROL icon. Touch the bar and drag it to adjust the volume. Touch the "EXIT" icon to exit out of this screen.
2. Adjust the Monitor Controls, mounted to the back of the LCD screen in the CPU section of the game, as necessary to achieve the desired picture.

Game Description

The base countertop model has 2 key-locked compartments: the rear door section and the coin drawer section. This model also has couplers installed in the rear of the game. These are used for future hardware upgrades which include linking and modem capabilities.

CPU Section

The CPU section is accessible from the rear of the unit in the countertop. The CPU section houses the monitor controls, the CPU and I/O board, the power supply, the main harness, the coin meter and the connector board. The security key is located on the I/O board.

Coin Drawer Section

The coin drawer section is accessible from the rear of the unit. This section is key-locked for security purposes. A sturdy metal box located within this section holds all coins deposited into the machine.

The coin drawer must be removed to gain access to the bill acceptor.

General Care and Maintenance

NOTE: THIS GAME SHOULD ONLY BE SERVICED BY QUALIFIED SERVICE PERSONNEL.

CAUTION: THERE ARE HIGH VOLTAGE PARTS IN THIS GAME. BE CAREFUL WHEN SERVICING THE INSIDE OF THE GAME. GAME SHOULD ALWAYS BE UNPLUGGED BEFORE SERVICING.

Screen Calibration

- Find the "CALIBRATE" button on the connector board located behind the coin mech (see Figure 10) and press it to enter the screen calibration mode.
- Touch the center of the first circle that appears on the screen. Once you release your finger, a second circle will appear.

NOTE: You must hold your finger on the circle for approximately 2 seconds for the calibration to be recognized.

- Touch the center of the second circle that appears on the screen.
- A third circle will appear to calibrate for low color games. Touch the center of the third circle.
- Once the third circle is touched and released, a crosshair will appear on the screen. To test the calibration of the screen, touch the crosshair with your finger and slowly drag your finger around the screen. The crosshair should follow your movement.
- Touch the "EXIT" icon.

NOTE: If you perform a touchscreen test through the set-up mode, a "LOW COLOR ADJUSTMENT" icon will appear in the upper left corner of the screen to give you the option to set the low color adjustment.

General Circuit Board Handling Information

Before handling any boards, observe the following procedures:

- Prevent Electro-Static Discharge by:
 1. Storing the boards in the anti-static bags in which they are shipped.
 2. Removing any static charge from your body before handling the boards by using a ground strap when handling the boards.
- When plugging in connectors to the board, make sure the connector is inserted straight onto the header and that the connector covers all header pins.
- Do not connect any peripheral device to the board if the power is still connected to the peripheral or if power is already applied to the board.

CAUTION: Be extremely careful when replacing the lithium battery on the motherboard. There is a danger of explosion if the battery on the motherboard is incorrectly replaced. Only replace the battery with the same type recommended by the manufacturer. Dispose of used batteries according to the manufacturer's instructions.

Cleaning the Cabinet

- The cabinet should be cleaned with a damp cloth and mild detergent.

Cleaning the Touchscreen Monitor

- The touchscreen glass should be cleaned with a damp cloth and isopropyl alcohol or a non-ammonia cleanser.

NOTE: *DO NOT USE ANY ABRASIVE OR VINEGAR-BASED CLEANSERS, AS THEY WILL DAMAGE THE TOUCHSCREEN.*

Cleaning the Fans and Vents

- The fans and vents should be cleaned of any dust and grime on a regular basis to ensure proper ventilation of the game.

NOTE: *DO NOT USE ANY ABRASIVE SOLVENTS, ACID OR VINEGAR-BASED CLEANSERS WHEN CLEANING YOUR GAME. OVER TIME, SUCH CLEANSERS COULD HARM THE TOUCHSCREEN AND ERASE THE DECALS. BE CAREFUL NOT TO USE COMMERCIAL CLEANERS CONTAINING ANY OF THESE SUBSTANCES.*

Megatouch MAXX Software Instructions

DIP Switch Settings*

Physical DIP switches are reserved for future use. All current operator-adjustable functions are controlled by the soft DIP switches (accessed by touching the "OPTIONS" icon on the Megatouch™ MAXX Setup screen. See Figure 1).

TIMER1	YES	NO	ALLOW SEX?
	YES	NO	ALLOW NUDITY? 2/3
	YES	NO	ALLOW SEX DURING ATTRACT? 3
	YES	NO	MYSTERY PHRASE SEX CATEGORY? 3
	YES	NO	MATCH 'EM UP BABES AND HUNKS? 3
	YES	NO	MEMOREE BABES AND HUNKS? 3
	YES	NO	TRIVIA SEX CATEGORY? 3
	YES	NO	PXMX BABES AND HUNKS? 3
	YES	NO	PHOTOHUNT EROTIC CATEGORY? 3
SET 4	YES	NO	PLAYER SELECTABLE LANGUAGE?
	OTHER	ENG	DEFAULT LANGUAGE?
	NO	YES	LANGUAGE BUTTONS HAVE FLAGS?
	YES	NO	SOLITAIRE FREE GAME?
	YES	NO	TRIVIA/SNAP SHOT SHOW CORRECT ANSWER?
	4/300K	5/1M	TRIVIA ROUNDS/BONUS?
	YES	NO	POWER SOLITAIRE SPLIT COLUMN MOVE?
	YES	NO	POWER SOLITAIRE FREE GAME?
	\$/¢	CREDS	PRICE DISPLAY?
	YES	NO	STRIP POKER MOAN SOUNDS? 3
	YES	NO	STRIP POKER REWINDS ON LOSS? 3
	NO	YES	AUTO CLEAR HI-SCORES? 5
	NO	YES	6 STARS ENABLED?
	YES	NO	HI-SCORE ACCESS FROM 6 STARS? 6
	YES	NO	VBB ACCESS FROM 6 STARS? 6
	YES	NO	VOLUME CONTROL ACCESS FROM 6 STARS? 6
	YES	NO	CALIBRATION ACCESS FROM 6 STARS? 6
	NO	YES	SHOW DECK CARDS?
	SHORT	LONG	FAN TIME? 7
	YES	NO	ALLOW GAME CONTINUE?
	YES	NO	ALLOW BONUS REPLAY? 8
	NO	YES	FREEPLAY ENABLED?
	NO	YES	EASY MODE ENABLED? 9
	NO	YES	POWER TRIVIA CATEGORY SAME FOR ALL?
	YES	NO	POWER TRIVIA CONSOLATION QUESTION?
	NO	YES	CONTINUOUS BONUS ROUND?
	YES	NO	GOLF HAS WOMEN?
	3/G	5/R	PHOTOHUNT HINTS?
	YES	NO	TRITOWERS FACE-UP PLAYER SELECTABLE?
	NO	YES	ENABLE THEFT DETERRENT? 10
	1	2	TOUCHSCREEN MODE? 11
	YES	NO	LINKED GAMES ENABLED

*NOTE: The soft DIP switch settings displayed on your game will depend on which games are selected as active in the Game Menu screen, as well as the program version used in your game. DIP controls for inactive games and games not included in your program will not be displayed.

NOTE: Number corresponds to the options in the preceding table.

- Touching "TIMER" for the "ALLOW SEX?" setting allows the operator to set times during which adult-oriented categories and games are available to the players. Using the arrows, set the time at which the adult-oriented games and categories will be turned on and set the time at which they'll be turned off. The time is set using 24 hour, "military" time. The factory default settings are set to turn on at 22:00 (10:00 PM) and to turn off at 6:00 (6:00 AM).
- When "ALLOW NUDITY" is set to "YES," a small box will appear to the right. Select the nudity level that will appear on the game by touching the desired level.
- These settings are only available if "ALLOW SEX?" is set to "TIMER" or "YES."
- "SET" is only shown if "Player Selectable Language" is set to "YES." When enabled, the operator can select which of the available languages will be displayed for the user to select. To enable the languages: at the Language Select screen, touch the desired language on the left, then select an open field on the right.**
- When "AUTO CLEAR HIGH SCORES" is set to "YES," a small box will appear to the right. Touching this box allows the time period to be set from 1 to 4 weeks (from the time the player name is entered). The factory default setting is two (2) weeks.
- These settings are only available if "6 STARS ENABLED?" is set to "YES." For more information on 6 Stars, see System Settings.
- This setting is only available if "SHOW DECK CARDS" is set to "YES."
- Setting this to "YES" enables a bonus replay for all games except Trivia Whiz, Pile On, Strip Poker, Double Solitaire and Mystery Phrase. The following table shows the scores needed to achieve a bonus replay (after a replay has been earned, the next player must beat the last replay score to earn another replay).
- Easy Mode reduces the number of points needed to reach the bonus round for Hoop Jones (125/150 points), Eleven-Up (68,000/80,000 points), Tri-Towers (64,000/80,000 points), Royal Flash (180,000/200,000 points) and Quik Match (250,000/280,000 points).
- Setting this to "YES" enables the Theft Deterrent. If you choose to enable this option, the game will automatically shut down at specified intervals and you will need to reactivate the game by entering a personal identification number. If you select "YES", the game will prompt you for a four to eight digit pin number. It will then prompt you to choose the intervals that you want the game to activate the Theft Deterrent mode. Select 1 week, 2 week, 3 week, or 4 week intervals. In order to avoid the system shutdown, you must turn off the Theft Deterrent and turn it back on again before the end of the time interval that you have selected.
- Touchscreen mode offers 2 options for touchscreen settings. Mode 1 is standard (default). It is the recommended setting for most locations. This setting allows for normal play. Mode 2 is an added feature used for faster play and reaction time of the touchscreen. This mode is enhanced for intensive play. When set to mode 2, certain environmental conditions may cause slight touchscreen drift. If this occurs, return to Mode 1.

**Game Name and Score Needed
for Initial Replay**

Great Solitaire, Power Solitaire, Route 66, and Super Route 66 will always offer a replay once the listed score is attained. The other games have to reach the score listed as well as attain the high score for the game in order to offer a replay.

Solitaire	45,000
Run 21	250,000
Royal Flash	300,000
Match'Em Up	200,000
Memoree	300,000
Tri-Towers	125,000
Four Play	1,500,000
Conquest	30,000
Strip Poker	No Replay
11-Up	125,000
Mystery Phrase	325,000
Hoop Jones	125
Zip 21	200,000
Checkerz	28,000
Quik Match	400,000
Power Solitaire	55,000
Pix Mix	350,000
Photo Hunt	400,000
Quik Cell	100,000
Tai Play	240,000
Golf	No Replay
Tennis Ace	No Replay
Puck Shot	3,000
Pile On	No Replay
Take 2	110,000
Double Solitaire	No Replay

Mega Link Trivia	No Replay
Merry Maidens	125,000
Eleven Ball	125,000
Chug 21	250,000
Funky Monkey	110,000
Hooter	No Replay
Power Trivia	No Replay
Trip Flip	150,000
3 Blind Mice	150,000
Route 66	50,000
Super Route 66	55,000
Fast Lane	100,000
Snapshot	No Replay
Lookout	400,000
Monster Madness	400,001
GO-O-O-AL	No Replay
Air Shot	No Replay
Pharaoh's 9	No Replay
Pile High	400,000
Wild 8's	400,000
QB Zone	65,000
Wild Apes	400,000
Quintzee	60,000
Astro Joe	120,000
Jumble Safari	125,000
Outer Spades	75,000
Hearts	65,000
Quiz Show	45,000
Boxxi	850,000
Moon Drop	160,000
Euchre Nights	5,000
Trivia Whiz	No Replay

To Enter This Screen, Touch The “Setup” Button In The Coin Mech Section

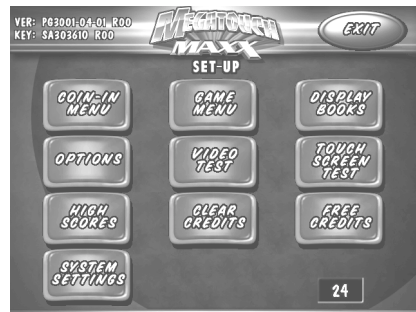


Figure 1 - Game Setup Screen

To Enter This Screen, Touch “System Settings” At The Setup Screen

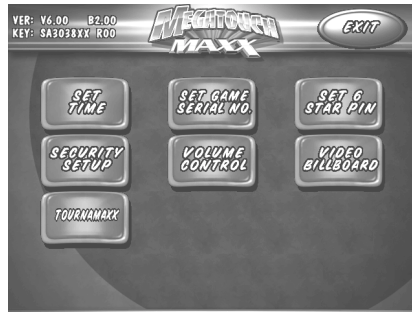


Figure 2- System Settings Screen

Game Setup

The Game Setup controls allow the operator to access the following screens:

Coin-In Menu	Enters the coin/credit setup screen.
Game Menu	Enters the game menu selection screen.
Display Books	Enters the bookkeeping statistics screen.
Options	Displays the soft DIP switch settings screen. The DIP switches displayed on this page will vary depending on which games are active (see page 4 for a list of DIP switch settings).
Video Test	Displays video test screens. Touch the screen to cycle through.
Touchscreen Test	Enters the touchscreen test for checking touchscreen calibration.
High-Scores	Enters the clear high scores screen. Touch game to select, touch “CLEAR CURRENT” to clear the high scores for that game. Touch “CLEAR ALL” to clear all high scores. Activate Six Stars to clear high scores.
Clear Credit	Erases all credits on the machine.
Free Credit	Adds credits without using coin switch. Free credits are listed separately in the books screen.
System Settings	Enters the System Settings screen which gives the operator access to the Set Time, Set Game Serial Number, Set 6 Star PIN, Security Setup, Volume Control, Video Billboard and Mega Link Test screens. See the System Settings screen for explanations of each option.
Exit	Returns the game to the attract mode.

System Settings

The System Settings controls allow the operator to access the following screens:

Set Time	Brings up the Set System Date and Time screen. Time is shown in 24-hour, "military" time (e.g. 5:00pm = 17:00). Use the up and down arrows to set the time and/or the date.
Set Game Serial Number	Brings up the Set Game Serial Number screen. Enter the game's serial number using the keypad.
Set 6 Star PIN*	Brings up the Set 6 Star PIN screen via the info button in the main menu screen. Touch the stars in the programmed order to give access to the Video Billboard, High Scores, Volume Control and Calibration screens (to allow access to any of these screens through 6 Stars, the DIP switch must be set to "YES" for each screen; see the DIP switch list on page 4).
Security Setup	Brings up the Set Security PIN screen. From this screen, the operator can set the PIN number and select which of the features (Coin-In Menu, Game Menu, Display Books, Options, High Scores, Free Credits and Set 6 Star PIN) will be protected by the PIN. To set the PIN, first touch "SET" on the keypad. Then, enter your 4-digit PIN using the keypad and touch "ENTER." The game will prompt you to re-enter your PIN to confirm. After confirming your PIN, touch the icon for each of the features you wish to protect with the PIN.

Volume	Brings up the Volume Control screen. Touch the volume control icon to adjust the volume up or down. This screen allows you to sample the sound volume without exiting the screen. The on-screen volume control can also be accessed using "Six Stars."
Video Billboard	See page 10 for Video Billboard operation instructions.
TournaMAXX	Brings up the Tournament Set-Up Screen. This is used only after you have registered your game for TournaMAXX™ play.

***Six Stars Enabled**

This feature allows access to the Clear High Scores, Volume Control, Video Billboard and Calibration, without having to remove the coin box. If the Six Stars Enabled dip switch is set to "YES," touching the info button in the main menu will cause six numbered stars to appear on the screen. Touching these stars in the programmed order will bring up a screen with icons for the Video Billboard, High Scores and Volume Control, and Screen Calibration screens (provided the appropriate DIP switches have been set to "YES"). To set the sequence in which the stars must be touched, go to the "System Settings" screen, touch the "Set Six Star PIN" icon and set the sequence.

To Enter This Screen, Touch "Game Menu" At The Setup Screen



Figure 3 - Game Menu Screen

The game list and prices are programmed using this screen. The left side of the screen shows the various game menu names. The fields to the right show the game positions available, with the price for each game. The list at the bottom shows all games available for that category. The lower buttons will reset the selected game menu to the default setting (DEFAULT), clear all of the games from the player's game menu (CLEAR), clear the selected item from the player's game menu (CLEAR 1), and reset all of the game menus to the default settings (DEFAULT ALL).

To program the player's game lists, first select the category in which you want the game to appear, by touching that category's name on the left side of the screen. Choose the menu position you want the game to occupy, by touching that position. Then, touch the desired game name, from the game list on the bottom of the screen. That game will now appear in the menu (a game cannot appear in a game list more than once). Games currently in the displayed category will appear shaded in the game list on the right. To adjust the price, touch the price in the game menu. Each touch will rotate the price from 25¢ (1CR), to 50¢ (2CR), to 75¢ (3CR), to \$1 (4CR) and back to 25¢ (1CR). Touch "EXIT" when done.

NOTE: TOP GAMES ALLOWS THE OPERATOR TO ENTER UP TO 6 GAMES IN THAT CATEGORY. SET THE TOP GAME THRESHOLD TO TELL THE GAME HOW MANY PLAYS QUALIFIES A GAME FOR THE TOP GAMES LIST. ONCE A GAME REACHES THAT NUMBER OF PLAYS, IT WILL AUTOMATICALLY BE ADDED TO THE TOP GAMES CATEGORY. THE DEFAULT THRESHOLD IS "10."

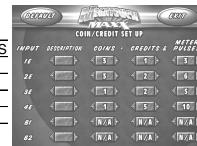
***Games currently in the displayed category will appear shaded in the game list on the right.**

To Enter The Coin/Credit Setup Screen, Touch “Coin-In Menu” At The Setup Screen

Game cost can be controlled two ways: by changing the number of credits required to play a game or by changing the cost of a credit. The Coin-In Menu allows you to adjust the cost of a credit, as well as providing a way to give players “bonus” credits for depositing a higher amount of money.

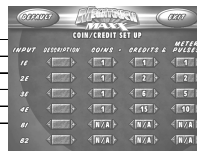
When programming the Coin-In Menu, E1 is set for the lowest value coin, E2 for the next highest value, etc. If all four coin inputs are not used, the unused inputs must be set to “N/A.” Adjust the coin/credit/meter pulse settings by touching the “plus” and “minus” signs on the field you want to change.

COIN VALUE	COIN INPUT	COINS	=	CREDITS	&	METER PULSES
10p	1E	3		1		3
20p	2E	3		2		6
50p	3E	1		2	player premium 25p/credit	5
1£	4E	1		5	player premium 20p/credit	10



In the above example (UK currency), each game costs one (1) credit and the cost for a single credit is 30p. This method is preferred if you want game cost to always be reflected as “1 credit.”

COIN VALUE	COIN INPUT	COINS	=	CREDITS	&	METER PULSES
10p	1E	1		1		1
20p	2E	1		2		2
50p	3E	1		6	1 bonus credit	5
1£	4E	1		15	5 bonus credits	10



In the above example (UK currency), the cost of a credit is set to 10p and each game costs 3 credits (for a total of 30p). This method allows game cost to be increased by the smallest unit of currency used (e.g. increasing the cost of Solitaire to four (4) credits would increase the game cost by 10p).

In both examples, note that meter pulses are independent of credits and only track the unit of currency (10p in the examples). Players are given an incentive to deposit more money by giving them “bonus” credits for depositing 50p or £1. Coins may be deposited in any combination of values and the game will automatically register the highest number of credits for the total amount of coins deposited. Once a game is played, any remaining fractional credits are erased.

Generally, most countries have a factory default setting. This setting can be adjusted (as described above), but will return if the game memory is cleared. Some programs, depending on the key used, have a CURRENCY DEFAULT DISPLAY located to the left of the coin inputs. It shows the currency value for each of the coin inputs. This display is used as a guide and is not used in any calculations. Touch the CURRENCY DEFAULT DISPLAY to hide/show the display.

To Enter This Screen Touch “Display Books” At The Setup Screen

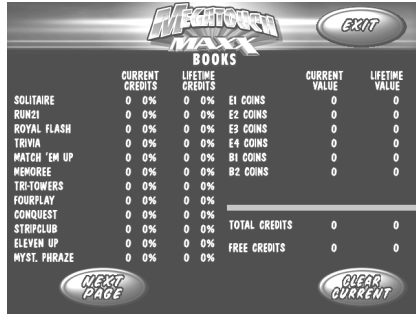


Figure 4 - Books Screen

The books screen displays the current and lifetime credit totals for each game, as well as the percentage of credits played per game (the percentage for each game is the total number of credits played on that game divided by the total number of credits entered into the machine).

Touching a game name will display the current and lifetime credit totals*, broken into 1 Player, 2 Player and Linked Games. It also shows the “shortest,” “longest” and “average” playing times for that game (only “link-only” games, like Pile-On, are included in time calculations; time calculations for games that can be played as link or amusement are only displayed for the amusement version).

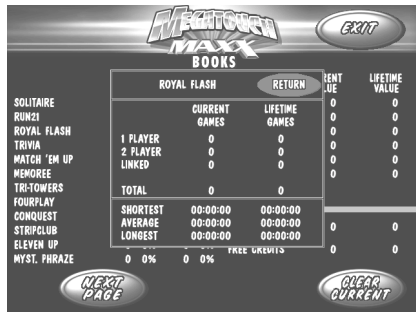


Figure 5 - Books Screen w/ Time Inset

Touch CLEAR CURRENT to erase all current book data.

***Touching Trivia Whiz or Power Trivia displays totals by category.**

Megatouch MAXX™ Video Billboard Operating Instructions

The Megatouch MAXX™ Video Billboard allows for six, separate advertising screens. Two of the screens can only be accessed using “Six Stars” (and are intended for use by the location owner), the other four screens are accessed using the Video Billboard icon located on the System Settings screen.

The Video Billboard provides several font styles, sizes and colors, a choice of background colors and designs, as well as a variety of clip art. The basic Video Billboard screen is shown below, followed by the operating instructions. A maximum of 16 screen objects (a line of text or a piece of clip art) can be placed on any given screen.

The Video Billboard also allows you to add 3 advertising screens that you create on your personal computer. These screens are in addition to the 6 screens that can be created directly on the game. To create these new screens, you will need a personal computer with a PC card reader/writer, a graphics program to create graphics and two 8 MB PC cards. Complete instructions can be found on the Merit Industries website (www.meritind.com).

To Enter This Screen, Enter The System Settings Screen and Touch Video Billboard



Figure 6 - Video Billboard Screen with Keyboard

Video Billboard Icon Functions:

Callout #	Screen Icon	Description
1	Timer	Allows the user to set the amount of time the given screen is displayed during the idle mode. The timer can be set from 0 to 20 seconds, in 5 second increments. (Setting the timer to zero (0) will prevent the screen from being displayed. This is helpful when designing a screen that you do not want to display immediately, but do want to store in the game's memory for use at a later date.)
2	Full Screen	Allows the user to view a full screen preview of the designed screen. While in "full screen", graphics and text can be repositioned by selecting them and then touching the new location.
3	Clear Ad	Allows the user to erase the entire design for the displayed screen. This icon changes to "DELETE" if any screen object is selected (when an object is selected, a box appears around the object).
4	Screen X	Touching this icon toggles through each of the video billboard screens (where "X" is the number of the screen).
5	Fonts	Touching this icon displays the font formatting icons on the bottom half of the screen. These icons allow the user to select from 4 styles of font, 3 font sizes and 8 colors. The screen also has controls for alignment: right, left and centered. To format the font, select the desired text and then touch the font style, size, color and/or alignment (if you have more than one line of text on the screen, you will need to repeat this action for each line of text). Touching the KEYBOARD icon will return you to the keyboard screen.
6	Background	This icon toggles the background design through each of the 20 preset backgrounds.
7	Clip Art	This icon displays the clip art selection windows on the bottom half of the screen. From here, the user can select clip art to be used on the displayed screen. Use the scroll bar at the bottom of the screen to move through the clip art. The clip art size can be adjusted by selecting the piece of clip art and then selecting "SMALL", "MEDIUM", or "LARGE" at the bottom of the screen (if you have more than one piece of clip art on the screen, you will need to repeat this action for each piece of clip art.) Once the clip art is displayed on the screen, touching the desired clip art and sliding your finger to the location where you want it placed can move it. Touching the KEYBOARD icon will return you to the keyboard screen.
8	Exit	Exits the user to the System Settings screen.
9	Keyboard	The keyboard is used for entering all text onto the displayed screen. Once text is displayed on the screen, touching the text and sliding your finger to the location where you want the text can move it. The cursor can be moved to a new location by touching the desired location.

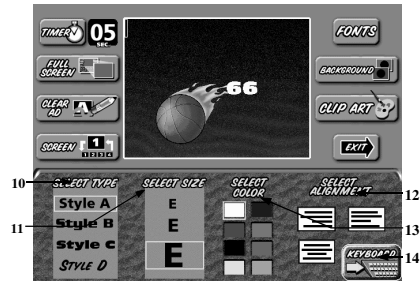


Figure 7 - Video Billboard Screen with Font Controls

Callout #	Screen Icon	Description of Function
10	Select Type	Touch to change font type (choose from 4 font styles)
11	Select Size	Touch to change font size (choose from 3 size options)
12	Select Alignment	Touch to set font alignment (left, right or centered)
13	Select Color	Touch to change font color (choose from 8 colors)
14	Keyboard	Displays the keyboard



Figure 8 – Video Billboard Screen with Clip Art Controls

Callout #	Screen Icon	Description of Function
15	Clip Art	Touch a clip art window to select (choose from 33 pieces of clip art)
16	Select Size	Touch to change clip art size (choose from 3 sizes)
17	Scroll Bar	Touch the arrows to scroll through clip art
18	Keyboard	Displays the keyboard

Merit Industries, Inc.
Troubleshooting Guide for *Megatouch MAXX™ Games*

Refer to the list below if you are experiencing a problem with your Megatouch MAXX Game

PROBLEM	CORRECTIVE ACTION	COMMENT
No Power, Game reboots/monitor seems to power cycle	<ul style="list-style-type: none"> • Check that the power cord is connected to a live outlet. • Check that the power switch is turned ON. • Check that the power cord is connected to the game power supply. • Check that the power supply's voltage select switch is set to the proper voltage. 	<ul style="list-style-type: none"> • Live outlet is an outlet powered with electricity. • The power switch is located in the rear of the game. • The power cord is plugged into the power supply inside the game.
No Video.	<ul style="list-style-type: none"> • Check that the game is powered and turned ON. • Check that the monitor is connected to the game motherboard. • Check that the power is connected to the monitor and the motherboard. • Make sure the RAM DIMM is properly seated. 	<ul style="list-style-type: none"> • See No Power under PROBLEM. • The monitor connection is located inside the rear compartment of the game. • The monitor is powered from a connection on the game power harness, located in the CPU section on countertops.
Touchscreen does not work. (Microtouch)	<ul style="list-style-type: none"> • Verify that the touchscreen controller is connected to power. • Verify that the touchscreen controller is operating. • Verify that the touchscreen controller is connected to the motherboard. • Make sure the screen is not scratched. • Make sure no metal is touching the screen. • Check COM1 setting during boot-up. • Check for proper ground. 	<ul style="list-style-type: none"> • The touchscreen controller is a small box mounted inside the rear compartment of the game. On a game with a Microtouch controller, an LED is illuminated when power is applied. When operating, the LED will change intensity when the screen is touched. • Check for proper connection of the controller power lead with the power harness. The connection is made near the controller in the CPU section of the game. • If the screen is scratched, it must be replaced. • The controller is connected to COM 1 input on the motherboard in the CPU section of the game. • If COM 1 is bad, the motherboard needs to be replaced.
Poor picture quality.	<ul style="list-style-type: none"> • Adjust <i>Brightness, Contrast, Horizontal, and Vertical</i> controls. 	<ul style="list-style-type: none"> • Monitor controls are located in the CPU section of the game.
NO SOUND DRIVER, INVALID KEY.	<ul style="list-style-type: none"> • Make sure that the riser card is correctly installed and seated. 	<ul style="list-style-type: none"> • The riser card is the printed circuit board connecting the I/O board to the motherboard. The riser card must be fully inserted in the socket.

Merit Industries, Inc.
Troubleshooting Guide for *Megatouch MAXX™ Games continued*

Refer to the list below if you are experiencing a problem with your Megatouch MAXX Game

PROBLEM	CORRECTIVE ACTION	COMMENT
ERROR - INVALID KEY	<ul style="list-style-type: none"> • Check the Dallas Key. Verify that it is installed, not damaged and seated tight. • Bad I/O riser connection. 	<ul style="list-style-type: none"> • The Dallas Key is the button-shaped disc with a spoon handle located on the I/O board.
Game locks up, Game graphics incorrect.	<ul style="list-style-type: none"> • Perform two-button memory clear. 	<ul style="list-style-type: none"> • Two-Button Clear: <ol style="list-style-type: none"> 1. Turn game power off. 2. Depress and hold the <i>Calibrate</i> and <i>Set-Up</i> buttons located on the connector board in the CPU section in countertops. 3. With <i>Calibrate</i> and <i>Set-Up</i> depressed, turn game power on. 4. Release <i>Calibrate</i> and <i>Set-Up</i> buttons when 2-Button Clear Detected is displayed on screen. 5. 2-Button Clear Complete.
No sound, Game volume low.	<ul style="list-style-type: none"> • Adjust volume control. • Make sure speaker harness is plugged in. • Sound harness is disconnected or damaged. 	<ul style="list-style-type: none"> • Speaker harness is connected at J9 on I/O board. • Headphone jack of sound harness is connected at PL101 on the motherboard and the other end of the sound harness connects to J11 on the I/O board.
Game volume loud, Sound distorted.	<ul style="list-style-type: none"> • Turn volume down. 	<ul style="list-style-type: none"> • The volume controls can be accessed through the System Settings screen in the MAXX Setup software.
Operating system not found	<ul style="list-style-type: none"> • Ribbon cable from hard drive to motherboard is loose. 	<ul style="list-style-type: none"> • Make sure each end of the ribbon cable is securely in place.
Meter not advancing.	<ul style="list-style-type: none"> • Check connection at I/O board. 	<ul style="list-style-type: none"> • Check wiring at <i>J3 METER</i> connector on I/O board in the CPU section of the game.
COIN JAM, A continuous tone emits from the game.	<ul style="list-style-type: none"> • Check for coin(s) jammed in coin mech. • If the game emits the coin jam indicator sound when powered up, the NORMALLY CLOSED contacts of the coin mechanism are being used. The NORMALLY OPEN contacts must be used. 	<ul style="list-style-type: none"> • Unlock the rear door of the game to gain access to the coin mech.

Megatouch MAXX Elite™ Countertop Parts and Images

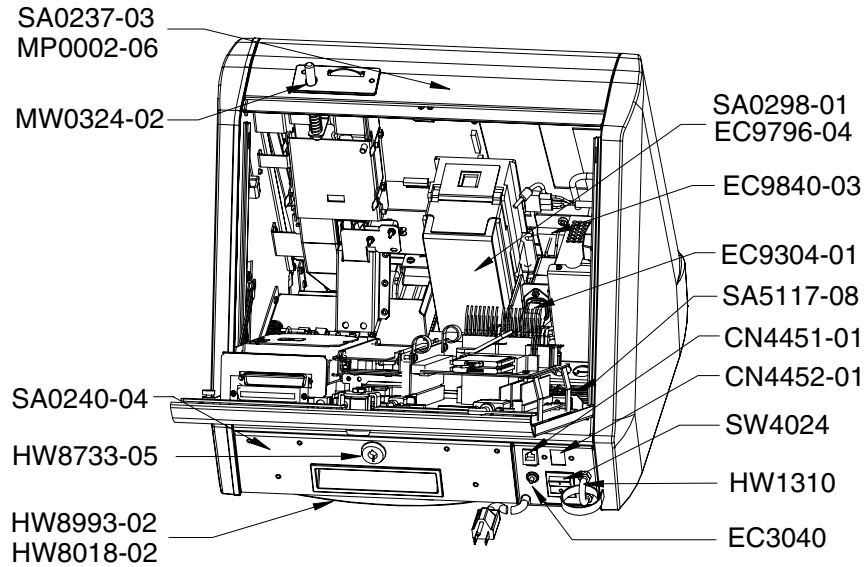


FIGURE 9 - CPU SECTION (REAR VIEW)

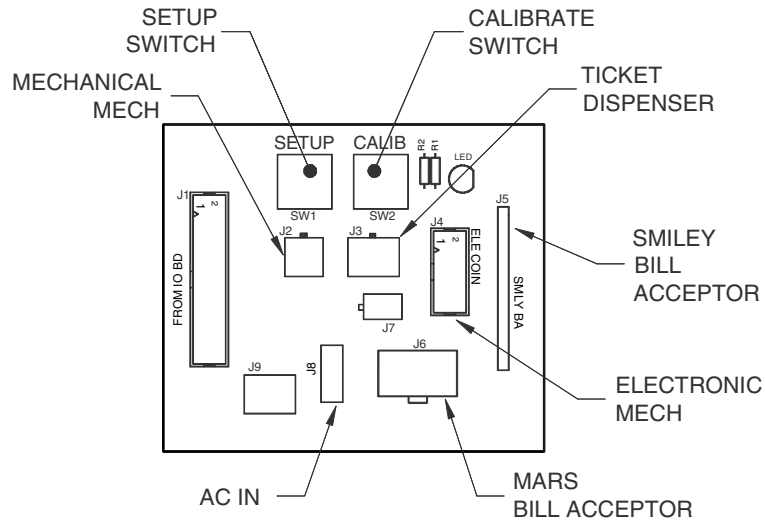


FIGURE 10 - CONNECTOR BOARD

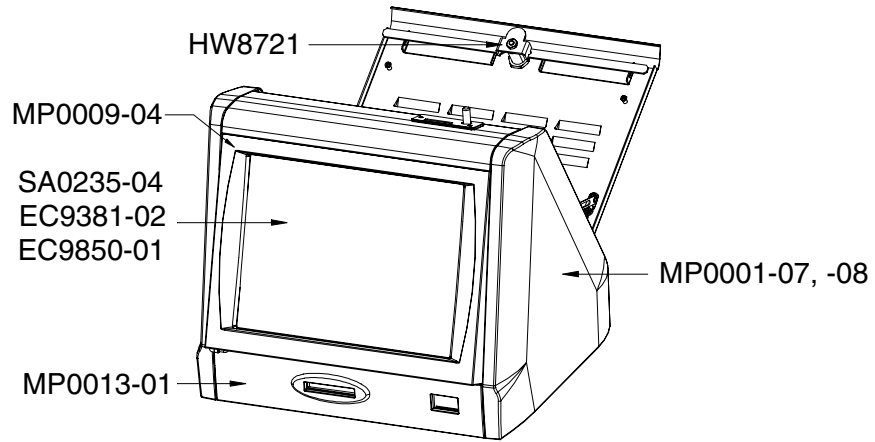


FIGURE 11 - FRONT VIEW

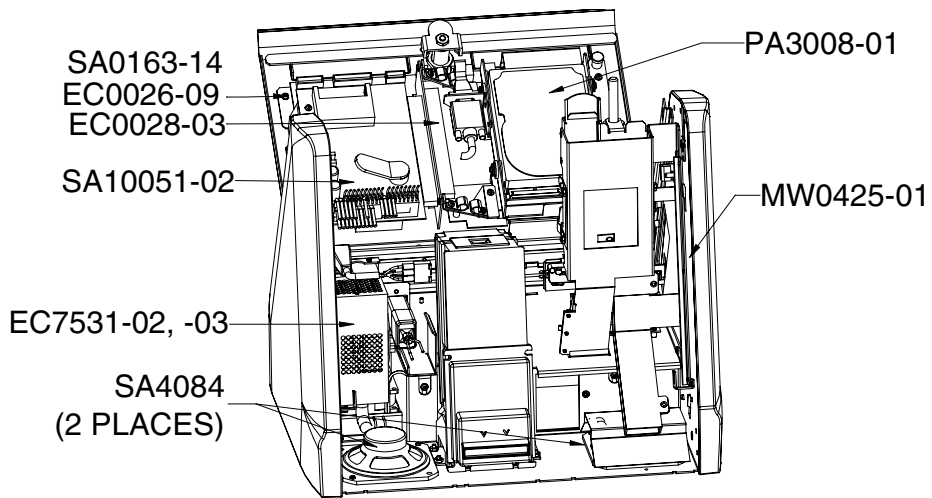


FIGURE 12 - FRONT VIEW (MONITOR REMOVED)

COPYRIGHT © 2001 MERIT INDUSTRIES, INC.

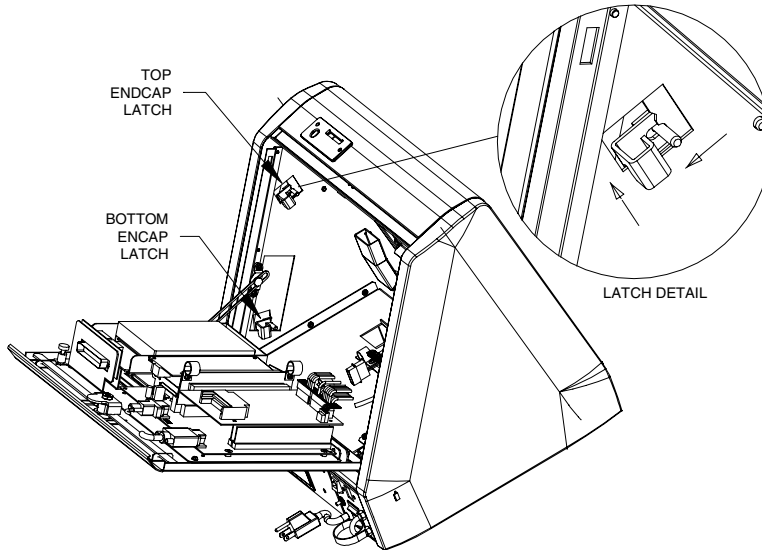


FIGURE 13 - ENDCAP LATCHES

For additional assistance, after contacting your distributor, contact:

Merit Product Support and Services

USA and Canada call toll-free:
1-800-445-9353

Outside the USA and Canada call:
(215) 639-4700
FAX: (215) 639-5346

Merit Industries, Inc. P.O. Box 5004, Bensalem, PA 19020-8529

You can also visit our web site
www.meritind.com

ELITE MAXX™ Replaceable Parts list

PART #	DESCRIPTION
CN4451-01	RJ45 COUPLER, 8POSN, R/A, PNL MTG
CN4452-01	RJ-11 COUPLER, 6POSN, R/A, PNL MTG
EC0026-09	UNICORN 586 MOTHERBOARD W/AUDIO, RISE CPU
EC0028-03	UNICORN TWO-SLOT RISER BOARD
EC3040	CIRCUIT BREAKER, 2 AMP, PNL MTG
EC7531-02 or 03	110W -12,+5,+3.3 AC ON POWER SUPPLY
EC9304-01	LINE FILTER, 250VAC@6AMP, IEC
EC9381-02	15" LCD DISPLAY, XGA, R/A CONN MTG
EC9796-04	\$1/2/5, 300 STACKER, AE2000, MARS B/A
EC9840-03	TOUCHSCREEN CONTROLLER SMT3E, W/26"L CAB
EC9850-01	TOUCHSCREEN OVERLAY, 15", W/12"CAB, W/7"ESD
HW1310	U BOLT, 1/4-20 x 1-1/4
HW8018-02	ANTI-SKID PAD, 11.5D, W/6.0 C/O
HW8721	564 LOCK, 7/8L, W/JAM NUT
HW8733-05	KD LOCK, 7/8L, W/O CAM (CASH BOX LOCK)
HW8993-02	LAZY SUSAN, 12"DIA, 15 STOPS
MP0001-07	L SIDE COVER, BLUE
MP0001-08	R SIDE COVER, BLUE
MP0002-06	TOP COVER, 15", BLUE, COIN ENTRY
MP0009-04	BEZEL, 15"LCD, GRAY
MP0013-01	FRONT COVER
MW0244-03*	DRAWER, FACE, BLUE
MW0324-02	COIN ENTRY PLATE, TILT
MW0425-01	MAIN CHASSIS
PA3008-01	V7 MAXX DIAMOND PROGRAM ASSY (HARD DRIVE)
SA0163-14	UNICORN, PCMCIA, W/O PRINTER
SA0235-04	15" DISPLAY W/ BEZEL, R/A CONN
SA0237-03	TOP COVER, BLU, GND
SA0240-04	COIN DRAWER, BLU
SA0298-01	B/A ASSEMBLY
SA10051-02	I/O BOARD VIDEO, W/O PRINTER
SA4084	4" SPEAKER ASSEMBLY W/2 PIN CONN
SA5117-08	FAN ASSEMBLY, 3", 12V, M&F CONN, W/GUARD
SW4024	ROCKER SWITCH, DPST, 250V, PNL MTG
	* = not shown

NOTE: The parts in your game may vary. When calling for replacement parts, make sure to have your serial number available to ensure the accuracy of your order.

Sidecar Installation (International Games Only)

You can install a number of sidecar options onto your Megatouch MAXX Elite™ video game. To install a sidecar, you will need to remove an endcap, attach the desired sidecar and then reattach the endcap.

Removing an Endcap

1. Unlock and open the rear door of the game (or the rear door of sidecar, if already attached) to gain access to the endcap latches.
2. Press firmly against the endcap, pull the bottom endcap latch out of its notch and push upward into the upper notch to unlock (see Figure 13 on page 16).
3. Repeat the above procedure for the top latch of the endcap.
4. Remove the endcap from the game.

Attaching a Sidecar

After you have removed the endcap, you can now attach a sidecar.

To attach a sidecar:

1. Attach the sidecar spacer to the side of the game by lining up the holes on the spacer with the studs on the game chassis (see Figure 14 below).
2. Next, attach the sidecar to the side of the game by lining up the holes on the sidecar with the studs on the game chassis (see Figure 14 below).

NOTE: BOTH THE SIDECAR SPACER AND THE SIDECAR SHOULD BE FLUSH AGAINST THE FRONT OF THE GAME.

3. Using Figure 10 as a reference, connect the sidecar connector harness to the connector board in the CPU section of the game.

Replacing an Endcap

Once you have installed the sidecar, you will need to reattach the endcap to the game.

To replace the endcap:

1. Unlock and open the rear door of game (or the rear door of sidecar, if already attached).
2. Line up the studs on the endcap with the holes on the sidecar (see Figure 14 below).

NOTE: MAKE SURE THAT THE ENDCAP IS FLUSH AGAINST THE FRONT OF THE GAME BEFORE LOCKING INTO PLACE.

3. Press firmly against the endcap, pull the bottom endcap latch out of the top notch and push downward into the lower notch to lock the sidecar into place (see Figure 13 on page 16).
4. Repeat the above procedure for the top latch of the endcap.
5. Close and lock the rear door of the game or sidecar.

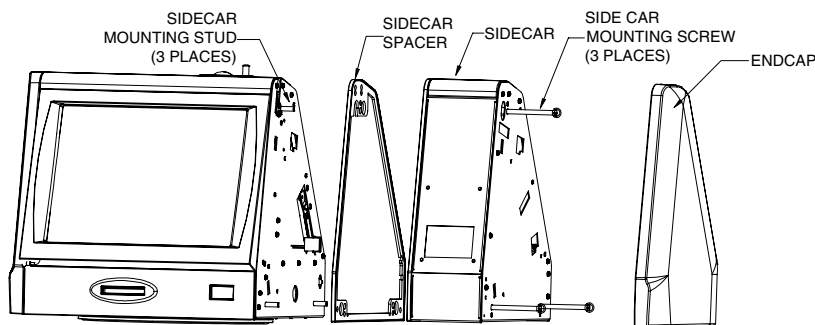


FIGURE 14 - SIDECAR INSTALLATION (INTERNATIONAL ONLY)

Merit Video Machine Limited Warranty

Merit Industries, Inc. warrants its video machines to be free from defects in material and workmanship for a period of one year from the date of purchase. The warranty covers all electrical components (except fuses and light bulbs) and printed circuit boards. The touchscreen is under warranty for a period of 3 years. Other items are covered by warranty periods offered by the original equipment manufacturers.

Failure due to misuse, vandalism, excessive or intentional abuse, operation outside specified conditions (including, but not limited to, improper electrical power source), fire, water damage, acts of God, acts of war and civil unrest are specifically excluded.

Merit products are carefully inspected and thoroughly tested prior to packing and shipment. Any damage discovered upon receipt of goods, whether obvious or concealed, must be reported immediately to the delivering carrier and claims made directly to them. Merit assumes no responsibility for damages once the product has left its facilities and any disputes regarding transportation damage must be resolved with the shipping company(s).

Merit will repair or replace, at its option, any component, part or assembly that fails under warranty, provided that the failed item is returned, shipping charges prepaid, to Merit's repair facility and Merit is notified of the failure within the warranty period. Merit reserves the right to request the serial numbers of the item and/or game which has failed, and copies of sales invoices, bills of lading or other documents as required to determine the validity of the warranty coverage. Merit will return or replace warranty items, as specified above, shipping charges prepaid, by ground transportation.

Merit's obligation shall be limited to repair or replacement as stated above, and shall specifically exclude any liability for consequential damages or loss of earnings.

Merit may, at its discretion, provide replacement parts under warranty prior to receiving defective items, without incurring any ongoing obligation to extend such accommodations.

In certain instances, due to geographical or other considerations, Merit may offer PCB warranty service on an extended time basis as follows:

- (a) User notifies Merit in writing (or FAX) of PCB failure, providing dates of failure, serial numbers and a brief description of failure symptoms.
- (b) Failed PCBs are accumulated for a time period or quantity accumulation, as designated by Merit and sent in one shipment to save shipping expenses.
- (c) Merit honors warranty as per dates of failure notification.

The above terms and conditions constitute the sole obligation, written or implied, of Merit Industries under its warranty coverage.

Merit Industries, Inc. Software License Agreement

Merit Industries, Inc. ("Licensor") is willing to license the enclosed software to you only if you accept all of the terms in this license agreement.

Ownership of the Software

1. The enclosed Megatouch™ software program ("Software") and the accompanying written materials are owned by Licensor and are protected by United States copyright laws, by laws of other nations, and by international treaties.

Restrictions on Use and Transfer

2. If this Software package contains multiple media types (such as CD's, flash cards, hard drives, etc), then you may use only the type of media appropriate for your Machine. You may not use the other media types on another Machine, or transfer, or assign them to another user except as part of the permanent transfer of the Software and all written materials (as provided for below in paragraph 4).
3. You may make one copy of the software for backup purpose only. You may not copy or make backup copies of any software security key or software security device under any circumstances.
4. You may permanently transfer the right to use the Software and accompanying written materials (including the most recent update and all prior versions) if you retain no copies and the transferee agrees to be bound by the terms of this Agreement. Such a transfer of this license to another party terminates your license. You may not otherwise transfer or assign the right to use the Software, except as stated in this paragraph.
5. You may not operate or allow the operation of the Software at locations where the operation of such Software does not comply with all local, state, and other governmental body laws and regulations.
6. You may not modify, adapt, translate, reverse engineer, decompile, disassemble the Software or create derivative works from the Software or any component thereof; nor may you remove, modify or hide or otherwise make unreadable or non-viewable any notice, legend, advice, watermark or other designation contained on the Software, component thereof, or output therefrom.
7. You agree that the Software and the authorship, systems, ideas, methods of operation, documentation and other information contained therein, and all versions, modifications and adaptations thereto are proprietary intellectual properties of Licensor and are protected by civil and criminal law, and by the law of copyright, trade secret, trademark and patent of the United States and other countries.

Limited Warranty

8. Licensor warrants, solely for your benefit, that the Software will function in material conformity, with its accompanying documentation for a period outlined in Licensor's standard product warranty period after your receipt of the Software.

Licensor's Obligations Under Warranty

9. Licensor's sole obligation under the aforesaid warranty shall be to utilize commercially reasonable efforts to correct or modify such portion of the Software as to make it materially conform with the applicable documentation.

Grant Of License

10. Licensor grants to you the right to use one copy of the Software on a single Megatouch™ ("Machine") accompanied by a single licensor factory authorized security key. Licensor reserves the right to update versions of the software and the content to the Machine as deemed appropriate by the Licensor.

Disclaimers

11. EXCEPT AS PROVIDED IN THE SECTION ENTITLED "LIMITED WARRANTY", LICENSOR MAKES NO OTHER PROMISES, REPRESENTATIONS OR WARRANTIES, WHETHER EXPRESSED OR IMPLIED, REGARDING OR RELATING TO THE SOFTWARE OR CONTENT THEREIN OR TO ANY OTHER MATERIAL FURNISHED OR PROVIDED TO YOU PURSUANT TO THIS AGREEMENT OR OTHERWISE AND LICENSOR SPECIFICALLY DISCLAIMS ALL IMPLIED WARRANTIES OF MERCHANTABILITY AND FITNESS FOR A PARTICULAR PURPOSE WITH RESPECT TO SAID MATERIALS OR THE USE THEREOF. TO THE MAXIMUM EXTENT ALLOWABLE BY LAW THE UNIFORM COMMERCIAL CODE OR OTHER UNIFORM LAWS SHALL NOT APPLY TO THIS AGREEMENT.

Limitation on Liability

12. IN NO EVENT SHALL LICENSOR BE LIABLE UNDER ANY CLAIM, DEMAND OR ACTION ARISING OUT OF OR RELATING TO THE SOFTWARE, OR LICENSOR'S PERFORMANCE OR LACK THEREOF UNDER THIS AGREEMENT FOR ANY SPECIAL, INDIRECT, INCIDENTAL, EXEMPLARY OR CONSEQUENTIAL DAMAGES, WHETHER OR NOT LICENSOR HAS BEEN ADVISED OF THE POSSIBILITY OF SUCH CLAIM, DEMAND OR ACTION. IN ADDITION, WITHOUT LIMITING THE FOREGOING, IN ALL EVENTS THE REMEDIES AVAILABLE TO YOU SHALL BE LIMITED TO THE AMOUNT PAID BY YOU TO LICENSOR FOR THE SOFTWARE.
13. IN NO EVENT WILL LICENSOR BE LIABLE TO YOU FOR DAMAGES, INCLUDING ANY LOSS OF PROFITS, LOST SAVINGS, OR OTHER INCIDENTAL OR CONSEQUENTIAL DAMAGES ARISING OUT OF YOUR USE OR INABILITY TO USE THE SOFTWARE.

General

14. The validity and construction of this Agreement and of the rights and obligations herein shall be determined and governed by the laws of the Commonwealth of Pennsylvania, USA. Any controversy or claim arising out of or relating to this agreement shall be resolved in the appropriate venue in Pennsylvania, USA.
15. Merit, in its sole discretion, may assign this agreement or any of its rights and obligations hereunder.
16. If you have any questions concerning this Agreement or wish to contact Licensor for any reason, please write: Merit Industries, Inc., 2525 State Road, Bensalem, PA 19020, USA.

Contrat de licence de logiciel de Merit Industries, Inc.

Merit Industries, Inc. (ci-après le "Concédant") est disposé à vous accorder la licence d'utilisation du logiciel ci-inclus, à condition que vous vous engagiez à respecter tous les termes, clauses et conditions du présent contrat de licence.

Droit de Propriété

1. Le logiciel Megatouch™ (ci-après le "logiciel") et toute la documentation écrite, restent la propriété du Concédant et sont protégés par les lois du copyright des Etats-Unis, ainsi que par les lois des autres pays et les traités internationaux.

Restriction d'Utilisation et Transfert

2. Si le présent logiciel comprend plusieurs types de composants (tels que CD-ROM, cartes flash, disques durs, etc), vous ne pouvez utiliser que ceux qui conviennent à votre appareil. Il est strictement interdit de les utiliser sur un autre appareil, les transférer -ou les céder à un autre utilisateur, sauf si en cas de transfert permanent du logiciel et de toute la documentation écrite (comme indiqué ci-dessous au paragraphe 4).
3. Il est interdit de copier le logiciel, à l'exception d'une copie de sauvegarde. Il est aussi interdit de reproduire -ou faire des copies de sauvegarde des programmes de clé de sécurité ou autres fichiers de sécurité, quelles que soient les circonstances.
4. Vous pouvez céder en permanence à un tiers -le droit d'utiliser le LOGICIEL et toute la documentation écrite l'accompagnant, (ainsi que la plus récente mise-à-jour et toutes autres anciennes versions) seulement si vous n'en gardez pas de copies, et si le cessionnaire s'engage à respecter les termes, clauses et conditions du présent Contrat. Cette cession à un tiers met fin à votre licence. Autrement, vous n'avez pas la permission de transférer ou d'accorder à un tiers le droit d'utiliser le présent logiciel, excepté que tel que décrit dans le présent paragraphe.
5. Il est interdit d'utiliser le présent logiciel ou de permettre son utilisation dans des emplacements où l'utilisation du présent logiciel n'est pas conforme aux lois et réglementations locales, nationales ou réglementations d'autres organismes gouvernementaux.
6. Il est interdit de modifier, adapter, traduire, démonter, décompiler, désassembler le logiciel ou créer du matériel dérivé du logiciel ou de tout composant de celui-ci; vous ne pouvez pas enlever, modifier ou cacher ou rendre illisible ou non-visible toute instruction, légende, information ou filigrane ou autre désignation qui apparaît dans le logiciel, composant dudit logiciel ou résultant dudit logiciel.
7. Vous convenez que le logiciel et les droits d'auteur, les systèmes, les idées, les méthodes d'utilisation, la documentation et autre information incluse, ainsi que toutes les versions, modifications et adaptations qui s'y rattachent sont les propriétés intellectuelles du Concédant et sont protégées par le droit civil et pénal et par la loi sur le copyright, le secret commercial, la marque déposée et le brevet aux Etats-Unis et dans les autres pays du monde.

Limite de Garantie

8. Le Concédant garantit seulement à votre intention, que le logiciel permettra une utilisation conforme, avec la documentation l'accompagnant, pendant la période de temps indiquée dans la période de garantie du produit standard du Concédant, à compter de la date de livraison du logiciel.

Responsabilité du Concédant aux termes de la Garantie

9. La seule obligation du Concédant aux termes de la garantie susmentionnée sera de faire tous les efforts commercialement raisonnables pour corriger ou modifier la partie du logiciel pour le rendre matériellement conforme aux spécifications de la documentation.

Concession de Licence

10. Le Concédant vous accorde le droit d'utiliser une seule copie sur un seul Megatouch™ (ci-après "Appareil") accompagné d'une seule clé de sécurité autorisée en usine et fournie par le Concédant. Le Concédant réserve le droit de mise-à-jour des versions du logiciel et du contenu de l'Appareil, quand il juge nécessaire de le faire.

Exclusion de toute autre garantie

11. EXCEPTÉ COMME PREVU DANS LA SECTION INTITULEE "LIMITE DE GARANTIE", LE CONCEDANT N'ASSURE AUCUNE AUTRE GARANTIE DE QUELQUE NATURE ET A QUELQUE TITRE QUE CE SOIT, EXPLICITE OU IMPLICITE, EN RAPPORT AVEC LE LOGICIEL ET LES COMPOSANTS QUI L'ACCOMPAGNENT OU, LE CAS ECHEANT, TOUT SUPPORT OU MATERIEL FOURNI CONFORMEMENT AU PRESENT CONTRAT. EN PARTICULIER, LE CONCEDANT NE PEUT DONNER AUCUNE GARANTIE, DE QUELQUE NATURE QUE CE SOIT, POUR LA COMMERCIALISATION DE TOUS LES PRODUITS EN RAPPORT AVEC LE LOGICIEL OU AVEC L'UTILISATION DE CELUI-CI. DANS LA MESURE OU CELA EST PERMIS PAR LA LOI, LE CODE UNIFORME COMMERCIAL OU AUTRE LOI UNIFORME NE S'APPLIQUE PAS AU PRESENT CONTRAT.

Limite de Responsabilité

12. LE CONCEDANT NE SERA EN AUCUN CAS RESPONSABLE DE TOUTE RECLAMATION, DEMANDE OU ACTION RESULTANT DE OU EN RAPPORT AVEC LE LOGICIEL OU LA PERFORMANCE OU MANQUE DE PERFORMANCE DU CONCEDANT EN VERTU DU PRESENT CONTRAT POUR TOUS DOMMAGES D'UNE NATURE QUI N'EST PAS PRESUMEE PAR LA LOI ET QUI DOIVENT ETRE EXPRESSEMENT PROUVES, DOMMAGE INDIRECTS, DOMMAGES-INTERETS POUR PREJUDICE MORAL, QUE LE CONCEDANT AIT ETE AVISE OU NON DE LA POSSIBILITE D'UNE TELLE RECLAMATION, DEMANDE OU ACTION. DE PLUS, SANS LIMITER CE QUI PRECEDE, LES DEDOMMAGEMENTS A VOTRE DISPOSITION SERONT LIMITES AU MONTANT QUE VOUS AUREZ PAYE AU CONCEDANT POUR LE LOGICIEL.
13. LE CONCEDANT NE SERA EN AUCUN CAS RESPONSABLE DES DOMMAGES, Y COMPRIS TOUTE PERTE DE PROFIT, PERTES D'ECONOMIE OU TOUS AUTRES DOMMAGES INDIRECTS OU DOMMAGES-INTERETS ACCESSOIRES DECOULANT DE L'UTILISATION OU DE L'IMPOSSIBILITE D'UTILISATION DU LOGICIEL.

Dispositions Générales

14. La validité et la construction du présent Contrat et les droits et obligations ci-inclus seront déterminés et régis par les lois du Commonwealth de Pennsylvanie aux États-Unis. Toutes litiges ou réclamations résultant ou relatives au présent Contrat feront l'objet d'une procédure de conciliation dans un établissement compétent en Pennsylvanie, aux États-Unis.
15. Merit Industries -réserve le droit de transférer le présent contrat à un tiers ainsi que ses droits et obligations ci-après.
16. Pour toutes questions concernant le présent Contrat -ou si vous désirez contacter le Concédant pour une raison quelconque, veuillez écrire à: Merit Industries, Inc., 2525 State Road, Bensalem, PA 19020, États-Unis.

Merit Industries, Inc. Softwarelizenzabkommen

Merit Industries, Inc. („Lizenzgeber“) ist nur dann bereit Ihnen eine Lizenz für die beiliegende Software zu erteilen, wenn Sie alle Bestimmungen dieses Lizenzabkommens akzeptieren.

Eigentumsvorbehalt der Software

1. Das beiliegende Megatouch™ Softwareprogramm („Software“) und die schriftlichen Unterlagen sind Eigentum des Lizenzgebers und sind durch die Gesetze der Vereinigten Staaten und anderer Länder und durch internationale Verträge urheberrechtlich geschützt.

Beschränkungen im Gebrauch und Transfer

2. Sollte diese Softwarelieferung mehrere Medien enthalten (z.B. CD, Karten, Festplatten usw.), dürfen Sie nur die für Ihre Maschine angebrachte Medienart verwenden. Die anderen Medienarten dürfen nicht auf anderen Maschinen verwendet werden oder an Dritte übergeben werden, abgesehen von einem endgültigen Transfer der Software und aller schriftlichen Unterlagen (wie im untenstehenden Paragraphen 4 beschrieben).
3. Sie dürfen nur eine Sicherungskopie der Software herstellen. Unter keinen Umständen dürfen Sie einen Softwaresicherungsschlüssel oder Sicherungsmaßnahmen kopieren oder davon Sicherungskopien herstellen.
4. Sie dürfen das Nutzungsrecht für die Software und die schriftlichen Unterlagen (einschließlich der aktuellen Version und aller vorhergehenden Versionen) an Dritte übertragen, wenn Sie keine Kopie behalten und wenn der Empfänger die Bestimmungen dieses Abkommens akzeptiert. Bei einem solchen Transfer der Lizenz an Dritte erlischt Ihre Lizenz. Abgesehen von den Bestimmungen dieses Paragraphen sind alle anderen Transfers oder Übertragungen der Nutzungsrechte für diese Software unerlaubt.
5. Sie dürfen die Software nicht benutzen oder eine Nutzung gestatten, wenn eine solche Nutzung der Software irgendwelche Gesetze und Verordnungen der kommunalen oder staatlichen Behörden verletzen würde.
6. Es ist Ihnen nicht gestattet, die Software abzuändern, zu verändern, zu übersetzen, rückumzuwandeln, zu dekompileieren oder zu zerlegen, oder aus der Software oder eines Teils davon andere Werke abzuleiten. Sie dürfen auch aus der Software, einem Bestandteil der Software oder aus den Datenausgaben der Software keine Hinweise, Bemerkungen, Ratschläge, Wasserzeichen oder andere Markierungen entfernen, verändern, verbergen oder auf andere Art unlesbar machen.
7. Sie akzeptieren, dass die Software und die Urheberschaft, die Systeme, die Ideen, die Arbeitsweisen, die Dokumentation und alle anderen darin enthaltenen Informationen und alle Versionen, Veränderungen, und Bearbeitungen davon das geistige Eigentum des Lizenzgebers sind, und dass sie durch Straf- und Zivilgesetzgebung und durch die Copyright-, Geschäftsgeheimnis-, Warenzeichen- und Patentgesetze der Vereinigten Staaten und anderer Länder geschützt sind.

Beschränkte Garantie

8. Der Lizenzgeber garantiert zu Ihren Gunsten, dass die Software für die angegebene normale Garantiezeit des Lizenzgebers nach Ihrer Annahme der Software in erheblicher Übereinstimmung mit der beiliegenden Dokumentation laufen wird.

Verpflichtung des Lizenzgebers im Rahmen der Garantie

9. Die ausschließliche Pflicht des Lizenzgebers im Rahmen der vorstehenden Garantie besteht darin, alle geschäftlich vertretbaren Schritte zu unternehmen, um Teile der Software zu berichtigen oder abzuändern, bis sie mit der beiliegenden Dokumentation erheblich übereinstimmen.

Übertragung der Lizenz

10. Der Lizenzgeber gibt Ihnen das Anrecht, eine Kopie der Software auf einer einzelnen Megatouch™ („Maschine“) mit einem einzelnen werksmäßig gestatteten Sicherheitsschlüssel zu benutzen. Der Lizenzgeber behält sich das Recht vor, nach eigenem Ermessen die Software und den Inhalt der Maschine zu verbessern.

Beschränkungen

11. ABGESEHEN VON DEN BESTIMMUNGEN DES PARAGRAPHEN „BESCHRÄNKTE GARANTIE“ GIBT DER LIZENZGEBER KEINE SONSTIGEN VERSPRECHEN, VERPFLICHTUNGEN ODER GARANTIE, OBERDRÜCKLICH ODER STILLSCHWEIGEND, FÜR DIE SOFTWARE ODER IHRE BESTANDTEILE ODER FÜR ALLE ANDEREN MATERIALIEN, DIE IHNEN IM RAHMEN DIESES ABKOMMENS ZUR VERFÜGUNG GESTELLT ODER ÜBERLASSEN WERDEN, UND DER LIZENZGEBER LEHNT AUSDRÜCKLICH ALLE ANSPRÜCHE AUF MARKTFÄHIGKEIT UND EIGNUNG DER BESAGTEN MATERIALIEN FÜR DEN GEWÖHNLICHEN GEBRAUCH AB. SOWEIT GESETZESMÄSSIG ZUGELASSEN, SOLLEN DIE HANDELSRECHTLICHE GESETZGEBUNG AUS DEM UNIFORM COMMERCIAL CODE ODER ANDERE GESETZE AUF DIESES ABKOMMEN NICHT ANWENDBAR SEIN.

Haftungsbeschränkung

12. DER LIZENZGEBER HAT KEINERLEI HAFTUNG BEI EINEM ANSPRUCH, EINER FORDERUNG ODER EINER KLAGE, DIE AUF NUTZUNG DER SOFTWARE, DER LEISTUNG DES LIZENZGEBERS ODER DESSEN VERSAGEN IM RAHMEN DIESES ABKOMMENS FÜR JEGLICHE FOLGE-, INDIREKTE, SONDER- ODER NEBENSCHÄDEN BERUHEN, SELBST WENN DER LIZENZGEBER AUF DIE MÖGLICHKEIT EINES SOLCHEN ANSPRUCHES, EINER FORDERUNG ODER EINER KLAGE HINGEWIESEN WURDE. WEITERHIN UND OHNE BESCHRÄNKUNG DES LETZTEN SATZES, DÜRFEN IN ALLEN FÄLLEN DIE IHNEN ZUR VERFÜGUNG STEHENDEN ABHILFEN DIE VON IHNEN FÜR DIE SOFTWARE AN DEN LIZENZGEBER GEZAHLTE SUMME NICHT ÜBERSCHREITEN.
13. DER LIZENZGEBER HAT IN KEINEM FALL EINE HAFTUNG IHNEN GEGENÜBER FÜR SCHÄDEN, EINSCHLIESSLICH ETWAIGER GEWINNVERLUSTE, NICHT REALISierter EINSPARUNGEN ODER ANDERER NEBEN- ODER FOLGESCHÄDEN, DIE AUS IHRER VERWENDUNG ODER GEBRAUCHSUNFÄHIGKEIT DER SOFTWARE ENTSTEHEN.

Allgemein

14. Die Rechtsgültigkeit und Provisionen dieses Abkommens und der darin enthaltenen Rechte und Pflichten werden durch die Gesetze des Commonwealth of Pennsylvania bestimmt. Alle Ansprüche, die aus diesem Abkommen entspringen oder dieses Abkommen betreffen, werden am jeweiligen Verhandlungsort in Pennsylvania, USA, verhandelt.
15. Merit kann nach eigenem Ermessen dieses Abkommen oder jedes der darin enthaltenen Rechte und Pflichten an Dritte abtreten.
16. Bei Rückfragen über dieses Abkommen oder wenn Sie den Lizenzgeber aus einem anderen Grund kontaktieren wollen, bitte schreiben an: Merit Industries, Inc., 2525 State Road, Bensalem, PA 19020, USA.

Please read the enclosed license agreement. Operation of this game constitutes acceptance of the Merit Software License Agreement.

Veillez lire le contrat de licence d'utilisation ci-inclus. Si vous utilisez ce jeu, vous vous engagez à respecter les termes et conditions du contrat de licence d'utilisation du logiciel de Merit.

Bitte beiliegendes Lizenzabkommen durchlesen. Das Merit Software Lizenzabkommen tritt in Kraft, sobald dieses Spiel verwendet wird.