

# FWA-3050

## Remote Manageable 1U Network Appliance for uCPE/SD-WAN and NGFW base on Intel® Xeon D-2100 Series Processor

NEW



### Features

- Powered by single Intel® Xeon D-2100 series processor up to 16C/32T with optional Intel® QAT and DPDK to boost performance
- Short-depth chassis design with optional tool-less slide rail or 2post mounting kit fits in any service provider or enterprise edge
- Upgradable with interface for Advance-LTE/5G, WiFi5/6, PoE or 1G/10G/25G/40GbE ports expansion cards
- Advantech inhouse design IP for out-of-band management or diagnostics software
- Validated by Intel® Select Solutions for uCPE and leading NFVi software solution

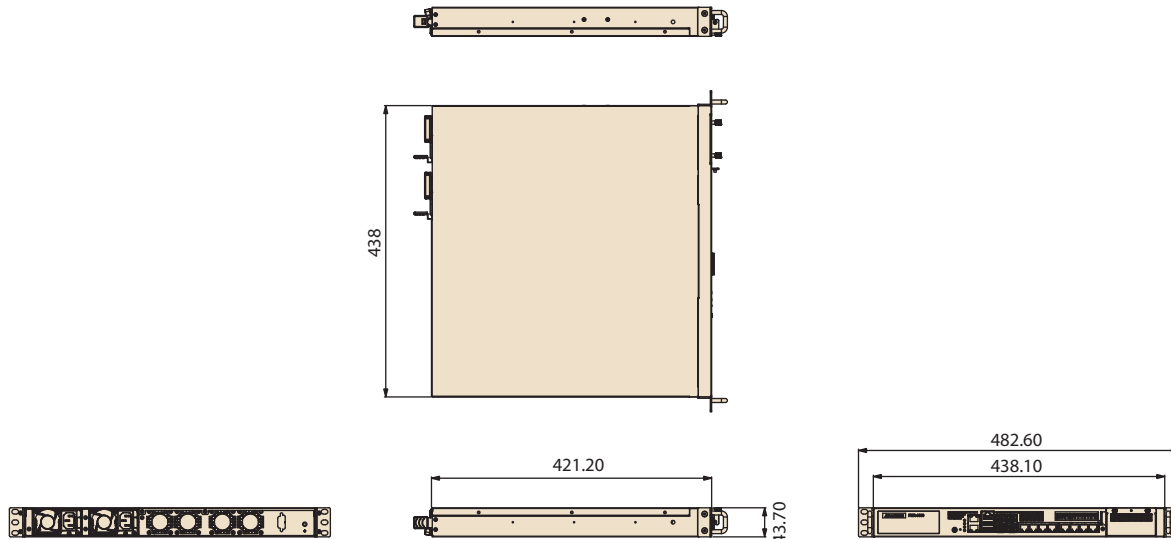


### Specifications

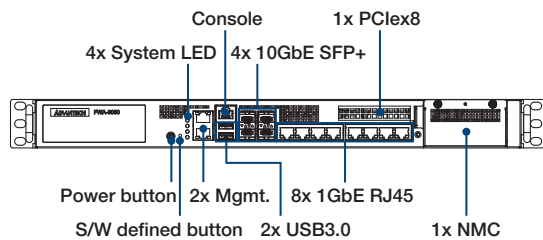
System P/N	FWA-3050-8CA1R	FWA-3050-14A1R	FWA-3050-16A1R	
Form Factor	1U Rackmount			
Processor System	Processor	Intel® Xeon D-2145NT	Intel® Xeon D-2177NT	Intel® Xeon D-2187NT
	Core Count	8C/16T	14C/28T	16C/32T
	Frequency	1.9GHz	1.9GHz	2.0GHz
	L2 Cache	11MB	19MB	22MB
	BIOS	AMI Eti 64Mbit		
Virtualization	VT-x, VT-d, EPT			
Memory	Technology	DDR4, Up to 2666MHz		
	Max.Capacity	256GB RDIMM/512GB LRDIMM		
	Socket	4 x 288-pin RDIMM		
	ECC Support	Yes		
Networking	Controller	1 x Intel X722, 2 x Intel i350, 2 x Intel i210		
	1GbE	4 x 10/100/1000 Mbps RJ45 via Intel i350-AM4, 4 x 10/100/1000 Mbps RJ45 via Intel i350-AM4 (Option: Advanced LAN bypass), 2 x 10/100/1000Mbps RJ45 via Intel i210-AT for management		
	10GbE	4 x 10GbE SFP+ via Intel X722		
	LAN bypass	None (Option: 2-segment/4 x ports Advanced LAN bypass)		
Expansion	PCIe	1 x PCIe x8 (Low-profile)		
	NMC	1 (Option: Field-replaceable NMC-E02 by project inquiry)	1 (Available for field-replaceable NMC-E02)	
Storage	2.5" HDD/SSD	2 (Internal)		
	M.2 SSD/NVMe	2 x M.2 2280 SSD/NVMe		
I/O	Console port	1		
	USB3.0	2		
	LED Indicator	1 x Power LED, 1 x Alert LED, 1 x Locate LED, 1 x Software-defined LED		
	Others	1 x Power button, 1 x Software-defined button		
TPM	None (Option: Infineon TPM1.2/2.0 module)			
LCD Module	None (Option: 21 columns x 4 lines text display)			
Power	Power Type	Redundant 1+1 AC		
	Watts	300W		
	Input	100V ~ 240V		
Environment	Connector	CRPS (Option: 800W DC power supply by project support)		
	Operating Temperature (air flow 0.7 m/sec)	0 ~ 40 °C (32 ~ 104 °F)		
	Non-operating Temperature	-20 ~ 70 °C (-4 ~ 158 °F) and 40 °C @ 95% RH Non-Condensing		
	Vibration Resistance	With SATA HDD: 0.5 Grms, IEC 60068-2-64, 5-500Hz, 1hr/axis		
Cooling	Shock Protection	With SATA HDD: 10G, 11ms, IEC-60068-2-27, X,Y,X-X,-Y-Z axis, 3times per axis		
		Fixed 2 x system FANS (Option: Hot-swappable redundant system FANS)	Fixed 4 x system FANS	
Mechanical	Construction	Steel		
	Mounting	1U Rackmount		
	Dimensions (W x H x D)	438 x 44 x 420 mm (17.2" x 1.7" x 16.5")		
	Weight	8.23Kg (18.14lb)		
OS Support	Linux (CentOS, Fedora, Red Hat, Ubuntu)			
Advantech S/W Packages	ALBPCU APOECU ipmitool Server iManager (Linux Base) -Health Guard -Diagnostic Framework -Network device identifier (NDI)			
IPMI	IPMI v2.0 compliant, with web interface, iKVM on request (Advantech IPMI Core)			
Certification	UL/CB 60950-1/62368-1(Safety), FCC Part 15 Class A(EMC), EN 55032/55024/55035 Class A(EMC), BSMI(Taiwan), CCC(China), KCC(Korea), VCCI(Japan), RCM(Australia/New Zealand), WEEE, RoHS, EN 300386			

## Dimensions

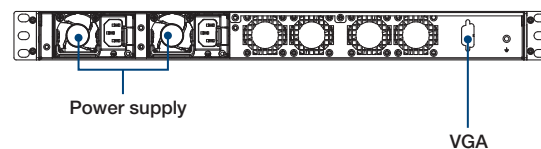
Unit: mm



### Front Panel External I/O Mechanical Layout/Drawing



### Rear Panel External I/O Mechanical Layout/Drawing



## Ordering Information

Part No.	CPU	Core/Thread	Base frequency	QAT	DDR4	BMC	10GbE SFP+	1GbE RJ45	PCIex8	NMC	VGA	System FAN	Power Supply	Redundancy
FWA-3050-8CA1R	Intel® Xeon® D-2145NT	8/16	1.9GHz	20G	4	Yes	4	8	1	1	1	2	300W AC	Yes
FWA-3050-14A1R	Intel® Xeon® D-2177NT	14/28	1.9GHz	100G	4	Yes	4	8	1	1	1	4	300W AC	Yes
FWA-3050-16A1R	Intel® Xeon® D-2187NT	16/32	2.0GHz	100G	4	Yes	4	8	1	1	1	4	300W AC	Yes

## Packing List

Description	Quantity
FWA-3050 barebone	1
SATA cable	1
Left/Right mounting ears(for 4x post)	1
Console cable	1
China RoHS letter	1

## Optional Accessories

Part Number	Description
1702002600	Power cord 3P 180cm, USA
1702002605	Power cord 3P 180cm, Europe
1702031801	Power cord 3P 180cm, UK
1700000237	Power cord 3P 180cm, JP
1700009652	Power cord 3P 180cm, China
1700002448	Power cord 3P, 180cm, Taiwan
968AE00073	Slide rail
FWA-3050-800WPSU	1pc 800W DC PSU with 1pc DC cable
FWA-3050-2POST	FWA-3050 rackmount kit for 2 post cabinet
FWA-3050-300WPSU	1pc 300W AC PSU