

CAFÉ

DISTINCT BY DESIGN™

Spring 2021





Café™ appliances are made to perform
and sure to inspire.

Table of Contents

OVERVIEW OF CAFÉ COLLECTIONS

Café Brand Story	4-9
Customizable Professional Collection	10-17
Modern Glass Collection	18-23

FEATURES

Refrigeration	24-25
Under-Counter Entertainment	26-27
Built-In Wall Ovens	28-29
Advantium® Ovens	30-31
Cooktops	32-33
Ranges	34-35
Microwave Ovens & Ventilation	36-37
Dishwashers	38-39
Connected Story	40-41

CAFÉ PRODUCTS

Modern Glass	42-51
Stainless	52-69
Matte White	70-83
Matte Black	84-97

PACKAGE OPTIONS

Modern Glass Collection	98-109
Customizable Professional Collection	110-121

PRODUCT SPECIFICATIONS

Refrigeration	124-126
Dishwashers	127
Built-In Wall Ovens	128-129
Installation Dimensional Drawings	130-131
Advantium Ovens	132
Built-in Steam Oven	133
Built-in Microwave Oven	134
Warming Drawers	135
Commercial-Style Rangetops	136-137
Cooktops	138-139
Ventilation	140-141
Ventilation Dimensional Drawings	142-143
Commercial-Style Ranges	144-145
Ranges	146-149
Over-the-Range Microwave Ovens	150
Countertop Microwave Ovens	151

MISCELLANEOUS

Warranty Information	122
ADA Requirements/UFAS Standards	123
Parts & Accessories	152-153
Nomenclature	154



GE Appliances helps you conserve energy and save money. We have been an ENERGY STAR® Partner since 2001. We are committed to creating energy-efficient, high-performance household appliances.



Compliant with the Americans with Disabilities Act



Compliant with the Uniform Federal Accessibility Standards



Chef Connect—For instant convenience, choose when to automatically sync clocks and the range elements with the microwave's or hood's surface light and vent.
The *Bluetooth*® word mark and logos are registered trademarks owned by Bluetooth SIG, Inc. and any use of such marks by GE Appliances is under license. Other trademarks and trade names are those of their respective owners.



National Sanitation Foundation



Appliances with built-in WiFi powered by SmartHQ™ that offer remote monitoring and enhanced features are indicated by this icon.



This mark indicates that a product has voice assistance capabilities.



Appliances with this icon are Made in America and contain 70 to 90% U.S. content. Product content details at GEAppliances.com/USA.

Unparalleled choice.

Café lets style-conscious consumers choose from two bold collections of kitchen appliances. The Customizable Professional Collection boasts a distinct line of hardware options, and the Modern Glass Collection features a seamless, contemporary design.



The Customizable Professional Collection



The Modern Glass Collection



Appliances that
meet every need.

Equal parts personality and performance.

Enjoy culinary-inspired features straight from professional kitchens, with a look that's ownable and authentic.

Accessible luxury.

Relish upscale appliances, fit for any style and available to all.

Exercise creative control.

Design the kitchen around a unique style, not appliances.

A private sous-chef.

Create unique dishes and unforgettable moments with Gourmet Guided Cooking powered by Hestan Cue™ technology. It's like having an extra set of hands.

Choices, choices.

Set the canvas with fingerprint resistant Matte Black, Matte White or Stainless finishes, and customize the hardware as a finishing touch. Or, reveal modern style with the reflective appearance of Modern Glass.



Performance that entertains.

Adorning every appliance in the Customizable Professional Collection is the signature Copper Cuff, which reinforces our commitment to design, quality and performance in the kitchen and beyond.

The Customizable Professional Collection



Stainless

Classic, versatile and compatible with a range of styles.



Matte White

A bright, clean aesthetic that adds warmth and light.



Matte Black

Strong, deep tones that leave a lasting impression.



“Whether I’m designing a modern, traditional, or farmhouse aesthetic, the Café™ lineup has everything I need to complete that one-of-a-kind showstopper kitchen.”

VICTORIA TIK, DESIGNER

Change your mind and
your hardware anytime.



Brushed Bronze

A new take on old-world charm,
with warm, inviting hues.



Brushed Stainless

Clean and refreshing, a staple
finish in the kitchen.



Brushed Copper

An unexpected way to warm up the
kitchen with bold and earthy tones.



Brushed Black

Subtle and natural, to accent the
kitchen with darkened notes.



The Copper Cuff.

Adorning every appliance in the Customizable Professional Collection is the signature Copper Cuff, which reinforces our commitment to design, quality and performance in the kitchen and beyond.



COLLECTIONS

FEATURES

MODERN GLASS

STAINLESS

MATTE WHITE

MATTE BLACK

PACKAGE OPTIONS

SPECIFICATIONS



The Modern Glass Collection

Growing trends call for a forward-thinking approach to appliances—one that rethinks the use of materials. Café is pushing boundaries with the first glass appliance collection in its class.* Join the glass conversation, and discover the latest way to reflect personal style in the kitchen.

*Based on Top 25% price point of marketplace volume excluding Luxury and Laundry.



“I am so excited about including the platinum glass finish by Café™ Appliances in my latest kitchen design. So often, a modern kitchen means a utilitarian and cold one, but with platinum glass I’m able to build in texture, color, and warmth while still keeping clean lines and incredible function.”

CLAIRE THOMAS, DESIGNER

COLLECTIONS

FEATURES

MODERN GLASS

STAINLESS

MATTE WHITE

MATTE BLACK

PACKAGE OPTIONS

SPECIFICATIONS

Modern appeal.

This collection exudes simplicity with its clean lines, integrated design and a glass finish overlay. But beneath the surface, cutting-edge features make these appliances undeniably sophisticated.



COLLECTIONS

FEATURES

MODERN GLASS

STAINLESS

MATTE WHITE

MATTE BLACK

PACKAGE OPTIONS

SPECIFICATIONS

Refrigeration

FEATURES



HUMIDITY CONTROL SYSTEM

A Humidity Control System provides an environment for leafy green vegetables to last 2-1/2 times longer* than standard vegetable drawers.

*Based on internal testing vs. similar size vegetable drawers with humidity controls from a leading competitor.



LED LIGHT WALL

Relish the bright, uniform light of an LED light wall that spans the back wall of the refrigerator, illuminating the fresh food section so every item is easy to find.



UNIQUE STORAGE OPTIONS

Organize your freezer with ease, thanks to storage options that include five drawers, two tilt-out door bins, a slide-out shelf and more.



CONVERTIBLE DRAWER WITH SOFT FREEZE

Enjoy the flexibility of a convertible drawer with Soft Freeze with settings as low as 23 degrees or as high as 42°F, and keep items organized with sliding glass dividers.



KEURIG® K-CUP® BREWING SYSTEM

Brew your favorite morning latte or cappuccino from a Keurig K-Cup brewing system built directly into the refrigerator.



BUILT-IN WIFI POWERED BY SmartHQ™

Use your voice or smart device to schedule or preheat hot water, and receive notifications on your phone if the ice is empty or the door is ajar.



Under-Counter Entertainment

FEATURES



LED LIGHT WALL

Take lighting to the next level with an LED light wall that spans the back panel, illuminating the interior so every item is easy to find.



MAGNUM BOTTLE STORAGE

Chill up to eight 1.5 liter bottles of wine or prosecco without scratching the label.



BUILT-IN WIFI POWERED BY SmarthQ™

Control temperature settings and the LED light wall from anywhere and always get the latest connected home capabilities with updates.



FLUSH INSTALLATION

With built-in, flush-to-cabinet installation, this beverage center fits in perfectly with your home's overall design.



ADJUSTABLE DIVIDERS

Keep fresh foods and drinks organized with an adjustable divider that maximizes flexibility and storage capacity in both drawers.



SOFT-CLOSE DRAWERS

Never let grabbing a quick snack interrupt a conversation, thanks to soft-close drawers that slide quietly closed.



COLLECTIONS

FEATURES

MODERN GLASS

STAINLESS

MATTE WHITE

MATTE BLACK

PACKAGE OPTIONS

SPECIFICATIONS

Built-In Wall Ovens

FEATURES



PRECISION COOKING MODES
Confidently try new recipes and perfectly execute favorites, using a smart system that automatically tracks progress, modifies temperatures and adjusts cook times.



NEVER-SCRUB, SMOOTH-GLIDE RACK
Easily remove heavy dishes with a roller rack that is specially designed to glide smoothly and stay in the oven during the self-clean cycle.



HOT-AIR FRYING
Make "fried" foods healthy, thanks to a mode that crisps without using oil.



7" FULL-COLOR DISPLAY
Easily navigate wall oven settings using a stunning full-color display that adds an unexpected touch of style to the kitchen.



TRUE EUROPEAN CONVECTION WITH DIRECT AIR
Achieve unrivaled performance with the only system that delivers true top-down convection, providing consistent results with roasts and more.



NO-PREHEAT OPTIONS
Save time with a variety of Precision Cooking Modes that eliminate the need for preheating.



COLLECTIONS
FEATURES
MODERN GLASS
STAINLESS
MATTE WHITE
MATTE BLACK
PACKAGE OPTIONS
SPECIFICATIONS

Five-in-One Ovens with Advantium® Technology

FEATURES



FIVE-IN-ONE OVEN

Enjoy a whole new level of cooking flexibility with a single oven that can be used in five different ways. Use it as a Convection Oven, Microwave, Toaster Oven, Warming/Proofing Oven, and Precision Cook Oven with Advantium Technology.



PRECISION COOKING MODES

Achieve oven-quality results in a fraction of the time as halogen light, microwave energy and True European Convection work together to provide the exact amount and type of heat your food needs, precisely when it needs it.



7" FULL-COLOR DISPLAY

Easily navigate oven settings using a stunning full-color display that adds an unexpected touch of style to the kitchen.



CRISP REHEAT

Achieve crispy results at microwave speed with more than 20 reheat programs that make leftovers taste like new.



STEAM COOK BUTTON

Perfectly prepare fresh vegetables and rice with a steam cook option that simplifies the entire process.



BUILT-IN WIFI POWERED BY SmartHQ™

120V: Eliminate the need for preheating and cook two- to four-times faster than with a conventional oven.
240V: Eliminate the need for preheating and cook four- to eight-times faster than with a conventional oven.



COLLECTIONS

FEATURES

MODERN GLASS

STAINLESS

MATTE WHITE

MATTE BLACK

PACKAGE OPTIONS

SPECIFICATIONS

Cooktops

FEATURES



GOURMET GUIDED COOKING

Take culinary skills to the next level with Gourmet Guided Cooking by Hestan Cue™, which combines video-guided recipes from chefs with a system that automatically adjusts the time, temperature and cooking pace for perfect results.



GLIDE TOUCH CONTROLS

Make the cooking process as stylish as the food itself with touch controls that adjust heat with just one swipe.



CONTROL MODE

Maintain a set temperature within one degree, thanks to a precise Control Mode that makes temperature-sensitive cooking methods simple.



20,000-BTU TRI-RING

Sear, fry and sauté on a 20,000-BTU burner.



CONTROL LOCK CAPABILITY

Prevent unintended burner activation with control lock capability.



SEALED COOKTOP BURNERS

Keep the kitchen sparkling even when there's a spill, with sealed cooktop burners that contain messes for easy cleanup.



COLLECTIONS

FEATURES

MODERN GLASS

STAINLESS

MATTE WHITE

MATTE BLACK

PACKAGE OPTIONS

SPECIFICATIONS

Ranges

FEATURES



PRECISION COOKTOP SENSOR

Turn any pan into a smart pan and automatically maintain a set temperature within one degree, thanks to a cooktop sensor that provides total control from either the display or a smartphone.



IN-OVEN CAMERA

Monitor the progress of time-sensitive dishes without needing to open the oven door, using an in-oven camera that provides an interior view of cooking food from your smartphone via the SmartHQ™ app.



GOURMET GUIDED COOKING

Take culinary skills to the next level with Gourmet Guided Cooking by Hestan Cue™, which combines video-guided recipes from chefs with a system that automatically adjusts the time, temperature and cooking pace for perfect results.



EDGE-TO-EDGE, SIX-BURNER COOKTOP

Entertaining for large groups is easy with the industry's first double oven with a 30" six-burner, edge-to-edge cooktop that can accommodate cookware of all sizes, and a cast-iron integrated griddle that provides enough room to perfectly flip crab cakes, arepas and other crowd favorites.



TRI-RING BURNER

Create an unforgettable dinner using a 21,000 tri-ring burner to do everything from searing scallops to simmering a lemon caper white wine sauce, plus a 15,000 Power Boil burner to boil water quickly for al dente angel hair pasta.



7" FULL-COLOR DISPLAY

Easily navigate oven settings using a stunning full-color display that adds an unexpected touch of style to the kitchen.



COLLECTIONS
FEATURES
MODERN GLASS
STAINLESS
MATTE WHITE
MATTE BLACK
PACKAGE OPTIONS
SPECIFICATIONS

Microwave Ovens & Ventilation

FEATURES



COOKTOP LIGHTING

Microwaves: Illuminate the cooking surface with crisp, energy-efficient LED cooktop lighting. **Hoods:** Watch the progress of every meal with bright, dual cooktop lighting that spotlights the cooking surface.



CFM VENTING SYSTEM

Microwaves: Remove smoke, odors and moisture with a three-speed, 300-CFM or 400-CFM venting system. **Hoods:** Remove smoke, odors and moisture with a 350- to 610-CFM venting system.



REMOVABLE FILTER

Microwaves: Keep the kitchen smelling fresh with an upfront charcoal filter, and know when to replace it with a helpful indicator light. **Hoods:** Eliminate hand-scrubbing with a removable, dishwasher-safe grease filter.



BUILT-IN WIFI POWERED BY SmartHQ™

Control the oven with a smartphone or voice commands through your home WiFi.



SCAN-TO-COOK TECHNOLOGY

Delegate simple cooking tasks to family members thanks to scan-to-cook technology. With just a scan of a barcode from the SmartHQ app, the microwave automatically adjusts cook settings based on package instructions.



CHEF CONNECT

Simplify cooking steps by using Chef Connect to automatically activate vents and surface lights when a range element is turned on, as well as sync the microwave and range clocks.



Dishwashers

FEATURES



ULTRA WASH AND DRY PLUS

Expect precision cleaning and superior dryness on fine china, dinnerware and even dishwasher-safe plastics, with exceptional features like Variable-Pressure Jets and Dual-Convection Ultra Dry.



ULTRA WASH AND DRY

Unload sparkling clean, table-ready dishes thanks to 90+ cleaning jets and an Ultra Dry system that deliver excellent results.



LOADING FLEXIBILITY

Load dishes in any manner: A lower wash arm provides excellent coverage for the largest loads. The fold-down tines accommodate wide or oddly shaped items, and a third rack provides extra space for silverware and kitchen utensils.



WASH ZONES

Save time and use less water when you don't have a full dish load with a fully customizable cycle that lets you wash a true half load in the upper or lower rack.



STATUS CENTER

Continue conversations without interruption and easily know when extra dinnerware is available via an LCD screen that displays the dishwasher cycle status.



ADJUSTABLE UPPER RACKS

Have enough room for fine stemware and tall bakeware with a rack that can be moved two inches up or down, creating the ultimate loading flexibility.



COLLECTIONS

FEATURES

MODERN GLASS

STAINLESS

MATTE WHITE

MATTE BLACK

PACKAGE OPTIONS

SPECIFICATIONS

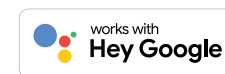


Better when connected.

Experience the perfect blend of style and convenience with advanced home technologies that integrate Café™ appliances into a connected lifestyle.

Sophisticated systems allow owners to preheat the oven without ever leaving their party guests, automatically replenish their dishwasher pods, and receive notifications and important updates on a smart device. With connected appliances powered by SmartHQ™ from Café, there are endless ways to make home life effortless.

Café Appliances connected capabilities work with a variety of partners:



GE Appliances and the SmartHQ app use industry-best practices for IoT cybersecurity and consumer data protection.

Amazon, Echo, Amazon's Smart Reorder, Alexa, and all related logos are trademarks of Amazon.com, Inc. or its affiliates.



COLLECTIONS

FEATURES

MODERN GLASS

STAINLESS

MATTE WHITE

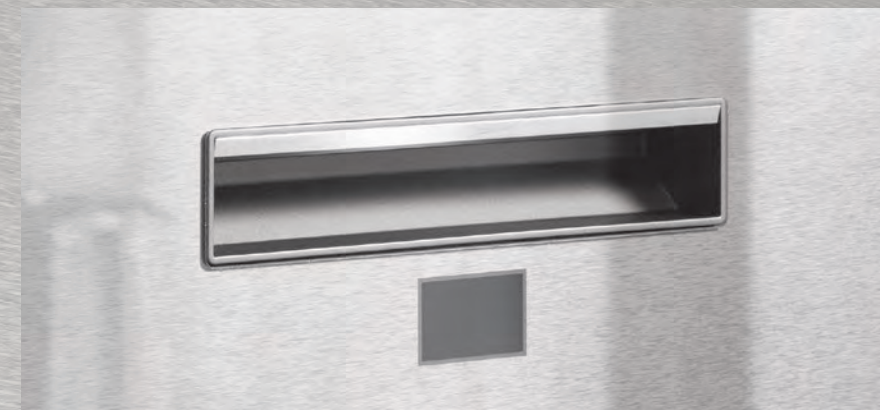
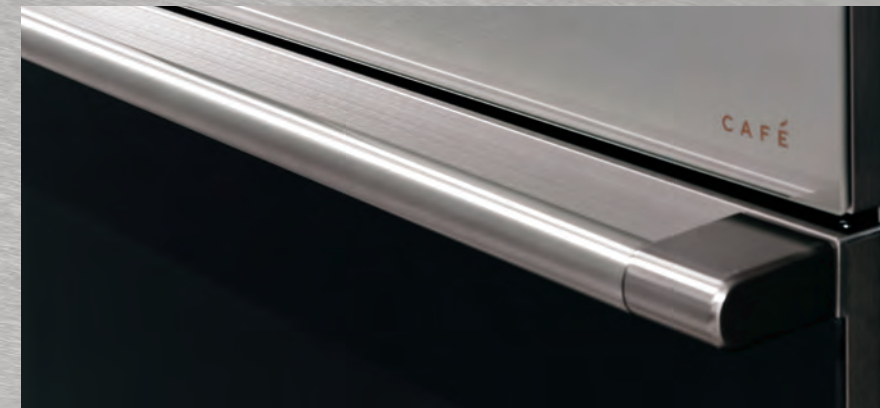
MATTE BLACK

PACKAGE OPTIONS

SPECIFICATIONS

Modern Glass

Chic and sharp, the Modern Glass Collection gives kitchen design an edge. With clean lines and an ultra-reflective finish, it's a striking departure from the stainless standard.



COLLECTIONS

FEATURES

MODERN GLASS

STAINLESS

MATTE WHITE

MATTE BLACK

PACKAGE OPTIONS

SPECIFICATIONS

REFRIGERATION



27.6 CU. FT. SMART FOUR-DOOR, FRENCH-DOOR REFRIGERATOR CVE28DM5NS5

- Adjustable-temperature drawer with sliding glass dividers
- LED light wall
- Hands-free AutoFill
- Humidity-control system
- Flatbread freezer tray
- TwinChill™ evaporators



27.6 CU. FT. SMART QUAD-DOOR, FRENCH-DOOR REFRIGERATOR CQE28DM5NS5

- 3-Setting Convertible Zone
- Slide-out wine rack
- LED light wall
- Hands-free AutoFill
- Humidity-control system
- Tilt-out freezer door bins
- Triple evaporators



WINE AND BEVERAGE CENTERS



5.1 CU. FT. BEVERAGE CENTER CCR06BM2PS5

- LED light wall
- Magnum 4-bottle storage
- Built-in WiFi powered by SmartHQ™
- Flush installation
- 14-bottle or 126-can capacity
- Quick Space shelf
- Articulating door hinges
- Reversible door



4.7 CU. FT. WINE CENTER CCR06DM2PS5

- LED light wall
- Magnum 8-bottle storage
- Built-in WiFi powered by SmartHQ™
- Flush installation
- Dual zone temperature control
- 46-bottle capacity
- Articulating door hinges
- Reversible door



*This smart oven requires WiFi to access all features.
**See spec pages 128-129 for WiFi-enabled features.
Complete features and specifications on pages 125-126 and 128-131.
For definitions of logos, see page 3.

BUILT-IN WALL OVENS



30" SMART DOUBLE WALL OVEN WITH CONVECTION CTD90DM2NS5*

- Touchless open
- In-oven camera
- Precision cooking
- 7" full-color display
- No-preheat air fry
- Dehydrate mode
- No-preheat options
- Built-in WiFi powered by SmartHQ
- True European Convection with Direct Air (both ovens)
- Precision temperature probe



Perfect Match Cooktops:
CHP9536 (Induction), CEP9036 (Electric),
CGP9536 (Gas)



30" SMART BUILT-IN CONVECTION SINGLE WALL OVEN CTS90DM2NS5*

- Touchless open
- In-oven camera
- Precision cooking
- 7" full-color display
- No-preheat air fry
- Dehydrate mode
- No-preheat options
- Built-in WiFi powered by SmartHQ
- True European Convection with Direct Air
- Precision temperature probe



Perfect Match Cooktops:
CHP9536 (Induction), CEP9036 (Electric),
CGP9536 (Gas)



30" SMART DOUBLE WALL OVEN WITH CONVECTION CTD70DM2NS5

- Precision cooking
- 7" full-color display
- True European Convection with Direct Air (upper oven)
- No-preheat options
- No-preheat air fry
- Built-in WiFi powered by SmartHQ**
- Never-Scrub, heavy-duty, smooth glide roller racks
- Self-clean with Steam Clean option



Perfect Match Cooktops:
CHP9536 (Induction), CEP9036 (Electric),
CGP9536 (Gas)



30" SMART SINGLE WALL OVEN WITH CONVECTION CTS70DM2NS5

- Precision cooking
- 7" full-color display
- True European Convection with Direct Air
- No-preheat options
- No-preheat air fry
- Built-in WiFi powered by SmartHQ**
- Never-Scrub, heavy-duty, smooth glide roller racks
- Self-clean with Steam Clean option



Perfect Match Cooktops:
CHP9536 (Induction), CEP9036 (Electric),
CGP9536 (Gas)



27" SMART DOUBLE WALL OVEN WITH CONVECTION CKD70DM2NS5

- 7" full-color display
- Built-in WiFi powered by SmartHQ**
- Hidden bake element
- Never-Scrub, heavy-duty, smooth-glide racks
- Precision temperature probe
- Self-clean with Steam Clean option
- Scan-to-cook
- 8-pass broil element



Perfect Match Cooktops:
CHP9536 (Induction), CEP9036 (Electric),
CGP9536 (Gas)



27" SMART SINGLE WALL OVEN WITH CONVECTION CKS70DM2NS5

- 7" full-color display
- Built-in WiFi powered by SmartHQ**
- True European Convection
- Never-Scrub, heavy-duty, smooth-glide rack
- Precision temperature probe
- Self-clean with Steam Clean option
- Scan-to-cook
- 8-pass broil element



Perfect Match Cooktops:
CHP9536 (Induction), CEP9036 (Electric),
CGP9536 (Gas)

BUILT-IN WALL OVENS



30" SMART BUILT-IN TWIN FLEX SINGLE WALL OVEN

CTS92DM2NS5

- Two-in-one oven
- Built-in WiFi powered by SmartHQ™*
- Large-capacity oven
- True European Convection with Precise Air
- 7" full-color display
- Easy-glide, Never-Scrub rack
- Precision temperature probe



Perfect Match Cooktops:
CHP9536 (Induction), CEP9036 (Electric),
CGP9536 (Gas)

ADVANTIUM® OVENS



30" SMART FIVE-IN-ONE OVEN WITH 240V ADVANTIUM TECHNOLOGY

CSB923M2NS5

- Five-in-one oven
- Speedcook
- 7" full-color display
- Crisp reheat
- 240V
- Steam cook



30" SMART FIVE-IN-ONE OVEN WITH 120V ADVANTIUM TECHNOLOGY

CSB913M2NS5

- Five-in-one oven
- Speedcook
- 7" full-color display
- Crisp reheat
- 120V
- Steam cook



27" SMART FIVE-IN-ONE OVEN WITH 120V ADVANTIUM TECHNOLOGY

CSB912M2NS5

- Five-in-one oven
- Speedcook
- 7" full-color display
- Crisp reheat
- 120V
- Steam cook

COOKTOPS



36" SMART TOUCH-CONTROL INDUCTION COOKTOP

CHP95362MSS

- Gourmet guided cooking
- Pan presence sensor
- Five induction elements
- White LED glide touch controls
- 11" 3,700-watt induction element
- Two 7" synchronized elements
- Multi-element timer
- Hestan pan included



Perfect Match Wall Ovens:
CTS90DP (Single),
CTD90DP (Double)



36" TOUCH-CONTROL ELECTRIC COOKTOP

CEP90362NSS

- 12"/9"/6" burner with Power Boil
- Two 7" synchronized elements
- Red LED glide touch controls
- 9"/7"/5" element with Power Boil
- Five radiant cooking elements
- Griddle included



Perfect Match Wall Ovens:
CTS90DP (Single),
CTD90DP (Double)



36" GAS COOKTOP

CGP95362MS1

- 20,000 BTU tri-ring burner
- White LED backlit knobs
- Extra-large, integrated cooktop griddle
- Precise Simmer burner
- Heavy-cast, edge-to-edge grates
- Sealed cooktop burners



Perfect Match Wall Ovens:
CTS90DP (Single),
CTD90DP (Double)

VENTILATION



36" WALL-MOUNT GLASS CANOPY CHIMNEY HOOD

CVW73612MSS

- 350-CFM venting system with boost
- Electronic backlit controls
- Dual halogen cooktop lighting
- Night light
- Convertible venting options
- Optional remote control (UXRC70)



30" WALL-MOUNT GLASS CANOPY CHIMNEY HOOD

CVW73012MSS

- 350-CFM venting system with boost
- Electronic backlit controls
- Dual halogen cooktop lighting
- Night light
- Convertible venting options
- Optional remote control (UXRC70)

RANGES



30" SMART SLIDE-IN, FRONT-CONTROL INDUCTION AND CONVECTION RANGE WITH IN-OVEN CAMERA

CHS90XM2NS5

- Gourmet guided cooking*
- Precision cooktop sensor
- In-oven camera
- Precision oven modes
- 7" full-color display
- Built-in WiFi powered by SmartHQ***
- 11" 3,700W induction element
- Push-to-open storage drawer
- No-preheat air fry***



30" SMART SLIDE-IN, FRONT-CONTROL, DOUBLE-OVEN DUAL-FUEL RANGE WITH CONVECTION

C2S950M2NS5

- Six-burner, edge-to-edge cooktop
- Cast-iron, integrated griddle
- Built-in WiFi powered by SmartHQ**
- Precision oven modes
- 7" full-color display
- 21,000 BTU tri-ring burner
- 15,000-BTU Power Boil burner
- No-preheat air fry***



30" SMART SLIDE-IN, FRONT-CONTROL INDUCTION AND CONVECTION RANGE WITH STORAGE DRAWER

CHS900M2NS5

- Gourmet guided cooking*
- Built-in WiFi powered by SmartHQ**
- Precision oven modes
- Sous vide enabled
- 7" full-color display
- 11" 3,700-watt induction element
- Push-to-open storage drawer
- No-preheat air fry***



30" SMART SLIDE-IN, FRONT-CONTROL GAS RANGE WITH CONVECTION OVEN AND STORAGE DRAWER

CGS700M2NS5

- Six-burner, edge-to-edge cooktop
- Cast-iron, integrated griddle
- Built-in WiFi powered by SmartHQ**
- 21,000 BTU tri-ring burner
- 15,000 BTU Power Boil burner
- Push-to-open storage drawer
- No-preheat air fry***



30" SMART SLIDE-IN, FRONT-CONTROL RADIANT AND CONVECTION RANGE WITH STORAGE DRAWER

CES700M2NS5

- Edge-to-edge glass cooktop
- 12"/9"/6" element with Power Boil
- Built-in WiFi powered by SmartHQ**
- True Convection with Precise Air
- Precision oven probe
- Digital temperature display
- No-preheat air fry***



*Free cookware rebate may be available.
 **See spec pages 146-148 for WiFi-enabled features.
 ***Feature upgrade will be available via the SmartHQ app.
 Complete features and specifications on pages 127, 146-151.
 For definitions of logos, see page 3.

The *Bluetooth*® word mark and logos are registered trademarks owned by Bluetooth SIG, Inc. and any use of such marks by GE Appliances is under license. Other trademarks and trade names are those of their respective owners.

MICROWAVE OVENS



2.1 CU. FT. SMART OVER-THE-RANGE MICROWAVE OVEN

CVM721M2NS5

- Built-in WiFi powered by SmartHQ
- Scan-to-cook technology
- Chef Connect
- Steam cook button
- Sensor cooking controls
- LED cooktop lighting
- 400 CFM venting system



1.5 CU. FT. SMART COUNTERTOP CONVECTION/MICROWAVE OVEN

CEB515M2RS5

- Built-in WiFi powered by SmartHQ
- Scan-to-cook technology
- Convection cooking
- Sensor cooking controls
- Warming oven
- Auto bake/auto roast

Optional built-in trim kit:
 CX153M2NS5 (30"); CX152M2NS5 (27")



DISHWASHERS



STAINLESS INTERIOR SMART DISHWASHER WITH DUAL-CONVECTION ULTRA DRY

CDT875M5NS5

- Ultra wash & dry plus
- Loading flexibility
- Status center
- Adjustable upper racks
- Third rack
- Built-in WiFi powered by SmartHQ



STAINLESS INTERIOR SMART DISHWASHER WITH 90+ CLEANING JETS

CDT845M5NS5

- Ultra wash with 90+ cleaning jets
- Ultra dry
- Deep Clean Silverware Jets
- Bottle Jets
- Reversing quad-blade wash arm
- Third rack
- WiFi optional††



STAINLESS INTERIOR SMART DISHWASHER WITH ULTRA DRY

CDT805M5NS5

- Ultra wash
- Ultra dry
- Bottle Jets
- Reversing quad-blade wash arm
- Third rack
- Fold-down tines
- WiFi optional††



†Only applicable under ADA-compliant installation.
 ††SmartHQ Connect Module is required and sold separately. It is available for order on geappliances.com, part number PBX23WOOYO.



COLLECTIONS

FEATURES

MODERN GLASS

STAINLESS

MATTE WHITE

MATTE BLACK

PACKAGE OPTIONS

SPECIFICATIONS

Stainless & Brushed Stainless

Brilliant Stainless invites a new approach to the classic appliance finish. Now you have the opportunity to mix metals, beginning with your hardware selection, to create an updated, layered look.



Brushed Stainless Hardware Standard
—
Easy Clean
—
Fingerprint Resistant

REFRIGERATION



27.6 CU. FT. SMART FOUR-DOOR, FRENCH-DOOR REFRIGERATOR
CVE28DP2NS1

- Adjustable-temperature drawer with sliding glass dividers
- Humidity-control system
- LED light wall
- Hands-free AutoFill
- Flatbread freezer tray
- Built-in WiFi powered by SmarHq™



27.8 CU. FT. SMART FRENCH-DOOR REFRIGERATOR WITH KEURIG® K-CUP® BREWING SYSTEM
CFE28UP2MS1

- Keurig® K-Cup® brewing system
- Hot water dispenser
- Preheat water via smart device
- Precise Fill setting
- Full-width, electronic temperature-controlled drawer with LED lights
- TwinChill™ evaporators



27.8 CU. FT. SMART FRENCH-DOOR REFRIGERATOR WITH HOT WATER DISPENSER
CFE28TP2MS1

- Hot water dispenser
- Precise Fill setting
- Full-width, electronic temperature-controlled drawer with LED lights
- TwinChill evaporators
- Showcase LED lighting
- Stainless steel dispenser



REFRIGERATION



18.6 CU. FT. SMART COUNTER-DEPTH, FRENCH-DOOR REFRIGERATOR
CWE19SP2NS1*

- Fits in a 33" opening
- Counter-depth design
- WiFi optional
- Internal water dispenser
- Showcase LED lighting
- Humidity-controlled drawers
- Turbo Cool

Also available in Matte White and Matte Black



21.9 CU. FT. COUNTER-DEPTH, SIDE-BY-SIDE REFRIGERATOR
CZS22MP2NS1

- Counter-depth design
- Showcase LED lighting
- Quick Ice setting
- Turbo Cool
- Advanced water filtration system
- Spillproof glass shelves



22.2 CU. FT. SMART COUNTER-DEPTH, FRENCH-DOOR REFRIGERATOR WITH KEURIG® K-CUP® BREWING SYSTEM
CYE22UP2MS1

- Counter-depth design
- Keurig® K-Cup® brewing system
- Hot water dispenser
- Built-in WiFi powered by SmarHq™
- Counter-depth design
- Precise Fill setting



22.2 CU. FT. SMART COUNTER-DEPTH, FRENCH-DOOR REFRIGERATOR WITH HOT WATER DISPENSER
CYE22TP2MS1

- Counter-depth design
- Hot water dispenser
- Precise Fill setting
- Full-width, electronic temperature-controlled drawer with LED lights
- TwinChill evaporators
- Showcase LED lighting



23.1 CU. FT. SMART COUNTER-DEPTH, FRENCH-DOOR REFRIGERATOR
CWE23SP2MS1**

- Counter-depth design
- Internal water dispenser
- Factory-installed icemaker
- Full-width, electronic, temperature-controlled drawer with LED lights
- TwinChill evaporators
- Showcase LED lighting
- WiFi optional



21.3 CU. FT. SMART BUILT-IN BOTTOM-FREEZER REFRIGERATOR
CDB36RP2PS1 (Right hinged)
CDB36LP2PS1 (Left hinged)

- 36" built-in model
- Interchangeable hardware
- LED lighting
- Advanced temperature control
- Sealed snack drawers
- WiFi optional



42" SMART BUILT-IN, SIDE-BY-SIDE REFRIGERATOR
CSB42WP2NS1

- Showcase LED lighting
- Advanced temperature management system
- Upfront temperature controls
- Advanced water filtration system uses MWF replacement filter
- Select temp drawer
- Spillproof glass shelves

48" MODEL ALSO AVAILABLE
CSB48WP2NS1



42" SMART BUILT-IN, SIDE-BY-SIDE REFRIGERATOR
CSB42YP2NS1

- Showcase LED lighting
- Advanced temperature management system
- Upfront temperature controls
- Advanced water filtration system uses MWF replacement filter
- Select temp drawer
- Spillproof glass shelves

48" MODEL ALSO AVAILABLE
CSB48YP2NS1



*U+ Connect Module is required and sold separately. It is available for order on geappliances.com, part number PBX23W00Y0. Complete features and specifications on pages 124-125. For definitions of logos, see page 3.

ICE MAKERS AND DOOR PANEL



NUGGET ICE MAKER
UNC15NJII

- Nugget ice
- The options you need to make a statement
- 56 pounds of quality ice per day
- LED lighting
- Integrated scoop
- Large-capacity ice bin
- Holds 26 pounds of ice
- Clean indicator light
- Optional drain pump kit (UPK3) available



GOURMET CLEAR ICE MAKER
UCC15NJII

- Gourmet clear ice
- The options you need to make a statement
- 48 pounds of quality ice per day
- LED lighting
- Integrated scoop
- Large-capacity ice bin
- Holds 26 pounds of ice
- Clean indicator light
- Optional drain pump kit (UPK3) available



STAINLESS DOOR PANEL KIT FOR 15" ICE MAKERS
CIP75S1

- Compatible with UNC15NJII and UCC15NJII ice makers
- Easy to install
- Brushed stainless handle included
- Custom handle kits available (sold separately)

BUILT-IN REFRIGERATOR DRAWERS



5.7 CU. FT. BUILT-IN, DUAL-DRAWER REFRIGERATOR
CDE06RP2NS1

- Stainless steel interior
- Soft-close drawers
- Adjustable dividers
- LED lighting
- Chills between 34° and 45° F
- Flush installation
- Door/Drawer ajar alarm



5.1 CU. FT. BEVERAGE CENTER
CCP06BP2PS1

- LED light wall
- Magnum 4-bottle storage
- Built-in WiFi powered by SmartHQ™
- Flush installation
- 14-bottle or 126-can capacity
- Quick Space shelf
- Articulating door hinges
- Reversible door



4.7 CU. FT. WINE CENTER
CCP06DP2PS1

- LED light wall
- Magnum 8-bottle storage
- Built-in WiFi powered by SmartHQ™
- Flush installation
- Dual zone temperature control
- 46-bottle capacity
- Articulating door hinges
- Reversible door



*See spec pages 128-129 for WiFi-enabled features. Complete features and specifications on pages 125-126 and 128-131. For definitions of logos, see page 3.

BUILT-IN WALL OVENS



30" SMART FRENCH-DOOR, DOUBLE WALL OVEN WITH CONVECTION
CTD90FP2NS1

- French-door design
- 7" full-color display
- True European Convection with Direct Air (both ovens)
- No-preheat air fry
- Precision cooking
- Built-in WiFi powered by SmartHQ*
- Never-Scrub, heavy-duty roller racks (both ovens)
- Self-clean with Steam Clean option



Perfect Match Rangetops:
CGU366 (Gas), CGU486 (Gas)



30" SMART FRENCH-DOOR, SINGLE WALL OVEN WITH CONVECTION
CTS90FP2NS1

- French-door design
- 7" full-color display
- True European Convection with Direct Air
- No-preheat air fry
- Precision cooking
- Built-in WiFi powered by SmartHQ*
- Never-Scrub, heavy-duty roller racks
- Self-clean with Steam Clean option

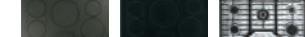


Perfect Match Rangetops:
CGU366 (Gas), CGU486 (Gas)



30" SMART DOUBLE WALL OVEN WITH CONVECTION
CTD90DP2NS1

- In-oven camera
- Precision cooking
- 7" full-color display
- No-preheat air fry
- Dehydrate mode
- No-preheat options
- Built-in WiFi powered by SmartHQ*
- True European Convection with Direct Air (both ovens)
- Precision temperature probe



Perfect Match Cooktops:
CHP9536 (Induction), CEP9036 (Electric), CGP9536 (Gas)



30" SMART SINGLE WALL OVEN WITH CONVECTION
CTS90DP2NS1

- In-oven camera
- Dehydrate mode
- Soft-close door
- Precision cooking
- 7" full-color display
- True European Convection with Direct Air
- No-preheat air fry
- Built-in WiFi powered by SmartHQ*



Perfect Match Cooktops:
CHP9536 (Induction), CEP9036 (Electric), CGP9536 (Gas)



30" SMART DOUBLE WALL OVEN WITH CONVECTION
CTD70DP2NS1

- Precision cooking
- 7" full-color display
- True European Convection with Direct Air (upper oven)
- No-preheat options
- No-preheat air fry
- Built-in WiFi powered by SmartHQ*
- Never-Scrub, heavy-duty, smooth glide roller racks
- Self-clean with Steam Clean option



Perfect Match Cooktops:
CHP9536 (Induction), CEP9036 (Electric), CGP9536 (Gas)



30" SMART SINGLE WALL OVEN WITH CONVECTION
CTS70DP2NS1

- Precision cooking
- 7" full-color display
- True European Convection with Direct Air
- No-preheat air fry
- Built-in WiFi powered by SmartHQ*
- Never-Scrub, heavy-duty, smooth glide roller rack
- Self-clean with Steam Clean option



Perfect Match Cooktops:
CHP9536 (Induction), CEP9036 (Electric), CGP9536 (Gas)

BUILT-IN WALL OVENS



27" SMART DOUBLE WALL OVEN WITH CONVECTION

CKD70DP2NS1

- 7" full-color display
- Built-in WiFi powered by SmartHQ*
- Hidden bake element
- Never-Scrub, heavy-duty, smooth glide racks
- Precision temperature probe
- Self-clean with Steam Clean option
- Scan-to-cook
- 8-pass broil element



Perfect Match Cooktops:
CHP9536 (Induction), CEP9036 (Electric),
CGP9536 (Gas)



27" SMART SINGLE WALL OVEN WITH CONVECTION

CKS70DP2NS1

- 7" full-color display
- Built-in WiFi powered by SmartHQ*
- True European Convection
- Never-Scrub, heavy-duty, smooth-glide roller rack
- Precision temperature probe
- Self-clean with Steam Clean option
- Scan-to-cook
- 8-pass broil element



Perfect Match Cooktops:
CHP9536 (Induction), CEP9036 (Electric),
CGP9536 (Gas)



30" COMBINATION DOUBLE WALL OVEN WITH CONVECTION AND ADVANTIUM® TECHNOLOGY

CTC912P2NS1

- Five-in-one oven
- Speedcook
- True European Convection (lower oven)
- Never-Scrub, heavy-duty, smooth glide roller rack
- Self-clean with Steam Clean option



Perfect Match Cooktops:
CHP9536 (Induction), CEP9036 (Electric),
CGP9536 (Gas)

STEAM OVEN



30" STEAM OVEN

CMB903P2NS1

- Steam cooking
- Combination cooking
- Pre-programmed selections
- Recirculating water system
- True European Convection
- Temperature probe
- LCD with touch controls
- Steam Clean

ADVANTIUM® OVENS



30" SMART FIVE-IN-ONE OVEN WITH 240V ADVANTIUM® TECHNOLOGY

CSB923P2NS1

- Five-in-one oven
- Speedcook
- 7" full-color display
- Crisp reheat
- 240V
- Steam cook



30" SMART FIVE-IN-ONE OVEN WITH 120V ADVANTIUM TECHNOLOGY

CSB913P2NS1

- Speedcook
- Five-in-one oven
- 7" full-color display
- Crisp reheat
- 120V
- Steam cook



27" SMART FIVE-IN-ONE OVEN WITH 120V ADVANTIUM TECHNOLOGY

CSB912P2NS1

- Speedcook
- Five-in-one oven
- Crisp reheat
- 7" full-color display
- 120V
- Steam cook

MICROWAVE OVEN



30" BUILT-IN MICROWAVE/ CONVECTION OVEN

CWB713P2NS1

- 1.7 cu. ft. capacity
- Convection cooking
- Combination Fast Cook setting
- Steam cook
- Glass touch controls
- My Cycle

WARMING DRAWER



30" WARMING DRAWER

CTW900P2PS1

- Variable-degree control
- Variable-humidity control
- Frameless front
- "On" indicator light
- Half rack
- Customizable hardware

*See spec pages 128-129 for WiFi enabled features.
Complete features and specifications on pages 128-135.
For definitions of logos, see page 3.

ELECTRIC COOKTOPS



36" SMART TOUCH-CONTROL INDUCTION COOKTOP

CHP95362MSS

- Gourmet guided cooking
- Pan presence sensor
- Five induction elements
- White LED glide touch controls
- 11" 3,700W induction element
- Two 7" synchronized elements
- Multi-element timer
- Hestan pan included



Perfect Match Wall Ovens:
CTS90DP (Single),
CTD90DP (Double)



30" SMART TOUCH-CONTROL INDUCTION COOKTOP

CHP95302MSS

- Gourmet guided cooking
- Pan presence sensor
- Four induction elements
- White LED glide touch controls
- 11" 3,700W induction element
- Two 7" synchronized elements
- Multi-element timer
- Hestan pan included



Perfect Match Wall Ovens:
CTS90DP (Single),
CTD90DP (Double)



36" TOUCH-CONTROL ELECTRIC COOKTOP

CEP90362NSS

- 12"/9"/6" burner with Power Boil
- Two 7" synchronized elements
- Red LED glide touch controls
- 9"/7"/5" element with Power Boil
- Five radiant cooking elements
- Griddle included

Also available in black: **CEP90361NBB**



Perfect Match Wall Ovens:
CTS90DP (Single),
CTD90DP (Double)



30" TOUCH-CONTROL ELECTRIC COOKTOP

CEP90302NSS

- Five radiant cooking elements
- Two 7" synchronized elements
- Red LED glide touch controls
- 9"/7"/5" element with Power Boil
- 8"/5" dual element
- Griddle included

Also available in black: **CEP90301NBB**.



Perfect Match Wall Ovens:
CTS90DP (Single),
CTD90DP (Double)



36" KNOB-CONTROL ELECTRIC COOKTOP

CEP70362MS1

- Five radiant cooking elements
- 12"/9"/6" burner with Power Boil
- White LED backlit knobs with beveled-edge black glass surface
- 9"/7"/5" Power Boil element
- Two 7" synchronized elements



Perfect Match Wall Ovens:
CTS70DP (Single),
CTD70DP (Double)



30" KNOB-CONTROL ELECTRIC COOKTOP

CEP70302MS1

- Five radiant cooking elements
- 9"/7"/5" Power Boil element
- White LED backlit knobs with beveled-edge black glass surface
- 8"/5" dual element
- Two 7" synchronized elements



Perfect Match Wall Ovens:
CTS70DP (Single),
CTD70DP (Double)

COMMERCIAL-STYLE RANGETOPS



48" COMMERCIAL-STYLE GAS RANGETOP WITH 6 BURNERS AND GRIDDLE

CGU486P2TS1

- Versatile cooktop
- Color-matched manifold
- Multi-ring burner
- Two griddle burners
- Two high-heat burners
- Inspiral™ burner
- Inspiral™ wok grate
- Built-in griddle with thermostat



Perfect Match Wall Ovens:
CTS90FP (Single),
CTD90FP (Double)



36" COMMERCIAL-STYLE GAS RANGETOP WITH 6 BURNERS

CGU366P2TS1

- Versatile cooktop
- Color-matched manifold
- Multi-ring burner
- Two griddle burners
- Two high-heat burners
- Inspiral burner
- Inspiral wok grate



Perfect Match Wall Ovens:
CTS90FP (Single),
CTD90FP (Double)



36" GAS COOKTOP

CGP95362MS1

- 20,000 BTU tri-ring burner
- White LED backlit, heavy-duty knobs
- Extra-large, integrated cooktop griddle
- Precise Simmer burner
- Heavy-cast, edge-to-edge grates
- Sealed cooktop burners



Perfect Match Wall Ovens:
CTS90DP (Single),
CTD90DP (Double)



30" GAS COOKTOP

CGP95302MS1

- 20,000 BTU tri-ring burner
- White LED backlit, heavy-duty knobs
- Extra-large, integrated cooktop griddle
- 30" cooktop with 5 burners
- Precise Simmer burner
- Sealed cooktop burners



Perfect Match Wall Ovens:
CTS90DP (Single),
CTD90DP (Double)



36" GAS COOKTOP

CGP70362NS1

- 18,000-BTU burner
- Sealed cooktop burners
- White LED backlit, heavy-duty knobs
- Precise Simmer burner
- Continuous cast-iron grates



Perfect Match Wall Ovens:
CTS70DP (Single),
CTD70DP (Double)



30" GAS COOKTOP

CGP70302NS1

- 18,000-BTU burner
- White LED backlit, heavy-duty knobs
- 30" cooktop with 5 burners
- Precise Simmer burner
- Continuous cast-iron grates



Perfect Match Wall Ovens:
CTS70DP (Single),
CTD70DP (Double)

VENTILATION



48" PROFESSIONAL HOOD
UVW9484SPSS

- 1200-CFM vertical exhaust with dual blowers
- LED lighting
- Removable, dishwasher-safe stainless steel baffle filters
- Variable-speed fan control
- QuietBoost



36" COMMERCIAL HOOD
UVW93642PSS

- 600-CFM venting system
- Four-speed fan control
- Horizontal and vertical exhaust
- LED lighting
- Premium stainless steel baffle filters
- QuietBoost



30" COMMERCIAL HOOD
UVW93042PSS

- 600-CFM venting system
- Four-speed fan control
- Horizontal and vertical exhaust
- LED lighting
- Premium stainless steel baffle filters
- QuietBoost



VENTILATION



30" SMART DESIGNER CUSTOM INSERT WITH DIMMABLE LED LIGHTING
UVC9300SLSS

- 610-CFM adjustable blower
- Triple-LED dimmable lighting bulbs included
- Premium stainless steel baffle filters
- Electronic backlit controls
- Chef Connect



36" DESIGNER WALL-MOUNT HOOD WITH DIMMABLE LED LIGHTING
UVW8364SPSS

- 600 CFM
- Four-speed fan control
- LED lighting
- Chef Connect



30" DESIGNER WALL-MOUNT HOOD WITH DIMMABLE LED LIGHTING
UVW8304SPSS

- 600 CFM
- Four-speed fan control
- LED lighting
- Chef Connect



36" SMART DESIGNER WALL-MOUNT HOOD WITH PERIMETER VENTING
UVW9361SLSS

- 610-CFM blower with four-speed fan control
- Four-speed fan control
- LED backlit glass touch control
- Perimeter venting
- Built-In WiFi powered by SmartHQ™
- 10-foot ceiling height

Also available in black stainless: **UVW9361BLTS**



30" SMART DESIGNER WALL-MOUNT HOOD WITH PERIMETER VENTING
UVW9301SLSS

- 610-CFM blower with four-speed fan control
- Four-speed fan control
- LED backlit glass touch control
- Perimeter venting
- Built-In WiFi powered by SmartHQ™
- 10-foot ceiling height

Also available in black stainless: **UVW9301BLTS**



36" SMART DESIGNER CUSTOM INSERT WITH DIMMABLE LED LIGHTING
UVC9360SLSS

- 610-CFM adjustable blower
- Triple-LED dimmable lighting bulbs included
- Premium stainless steel baffle filters
- Electronic backlit controls
- Chef Connect



36" DESIGNER WALL-MOUNT HOOD WITH DIMMABLE LIGHTING
UVW8361SLSS

- 350-CFM blower
- Dual-LED dimmable-lighting (bulbs included)
- Electronic backlit controls
- Convertible venting options
- 9-foot ceiling height
- Chef Connect



30" DESIGNER WALL-MOUNT HOOD WITH DIMMABLE LIGHTING
UVW8301SLSS

- 350-CFM blower
- Dual-LED dimmable-lighting (bulbs included)
- Electronic backlit controls
- Convertible venting options
- 9-foot ceiling height
- Chef Connect



VENTILATION



36" WALL-MOUNT GLASS CANOPY CHIMNEY HOOD

CVW73612MSS

- 350-CFM venting system with boost
- Electronic backlit controls
- Dual halogen cooktop lighting
- Night light
- Convertible venting options
- Optional remote control (UXRC70)



30" WALL-MOUNT GLASS CANOPY CHIMNEY HOOD

CVW73012MSS

- 350-CFM venting system with boost
- Electronic backlit controls
- Dual halogen cooktop lighting
- Night light
- Convertible venting options
- Optional remote control (UXRC70)

COMMERCIAL-STYLE RANGES



48" SMART DUAL-FUEL COMMERCIAL-STYLE RANGE WITH 6 BURNERS AND GRIDDLE (NATURAL GAS)

C2Y486P2TS1

- Caterer oven
- Second oven for everyday use
- Color-matched manifold with LCD
- Inspiral™ burner
- Multi-ring burner
- Two griddle burners
- Built-in griddle with thermostat
- Built-in WiFi powered by SmartHQ™



36" SMART DUAL-FUEL COMMERCIAL-STYLE RANGE WITH 6 BURNERS (NATURAL GAS)

C2Y366P2TS1

- Caterer oven
- Color-matched manifold with LCD
- Inspiral burner
- Multi-ring burner
- Two griddle burners
- Built-in WiFi powered by SmartHQ



36" SMART ALL-GAS COMMERCIAL-STYLE RANGE WITH 6 BURNERS (NATURAL GAS)

CGY366P2TS1

- Caterer oven
- Color-matched manifold with LCD
- Inspiral burner
- Multi-ring burner
- Two griddle burners
- Built-in WiFi powered by SmartHQ



RANGES



30" SMART SLIDE-IN, FRONT-CONTROL INDUCTION AND CONVECTION RANGE WITH IN-OVEN CAMERA

CHS90XP2MS1

- Gourmet guided cooking*
- Precision cooktop sensor
- In-oven camera
- Backlit glass touch-control panel
- Built-in WiFi powered by SmartHQ
- 11" 3,700-watt induction element
- No-preheat air fry**



30" SMART SLIDE-IN, FRONT-CONTROL, DOUBLE-OVEN DUAL-FUEL RANGE WITH CONVECTION

C2S950P2MS1

- Six-burner, edge-to-edge cooktop
- Cast-iron integrated griddle
- Built-in WiFi powered by SmartHQ
- Precision oven modes
- Backlit glass touch-control panel
- 21,000-BTU tri-ring burner
- 15,000-BTU Power Boil burner
- No-preheat air fry**



30" SMART SLIDE-IN, FRONT-CONTROL, DUAL-FUEL, RANGE WITH WARMING DRAWER

C2S900P2MS1

- Six-burner, edge-to-edge cooktop
- Cast-iron integrated griddle
- Built-in WiFi powered by SmartHQ
- Backlit glass touch-control panel
- 21,000-BTU tri-ring burner
- 5,000-BTU Power Boil burner
- No-preheat air fry**



30" SMART SLIDE-IN, FRONT-CONTROL INDUCTION AND CONVECTION DOUBLE-OVEN RANGE

CHS950P2MS1

- Gourmet guided cooking*
- 6.7 cu. ft. total oven capacity
- True Convection with Precise Air (lower oven only)
- Backlit glass touch-control panel
- 11" 3,700-watt induction element
- Sous vide probe*
- No-preheat air fry**



30" SMART SLIDE-IN, FRONT-CONTROL INDUCTION AND CONVECTION RANGE WITH WARMING DRAWER

CHS900P2MS1

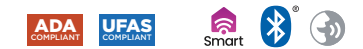
- Gourmet guided cooking*
- Built-in WiFi powered by SmartHQ
- Precision oven modes
- Sous-vide enabled
- Backlit glass touch control panel
- 11" 3,700W induction element
- Two 8" synchronized elements
- No-preheat air fry**



30" SMART SLIDE-IN, FRONT-CONTROL GAS DOUBLE-OVEN RANGE WITH CONVECTION

CGS750P2MS1

- 7.0 cu. ft. total oven capacity
- True Convection with Precise Air (lower oven only)
- Built-in WiFi powered by SmartHQ
- Six-burner, edge-to-edge cooktop
- Cast-iron integrated griddle
- 21,000-BTU tri-ring burner
- No-preheat air fry**



*Free cookware rebate may be available.
**Feature upgrade will be available via the SmartHQ app.
Complete features and specifications on pages 141, 143-149.
For definitions of logos, see page 3.

The Bluetooth® word mark and logos are registered trademarks owned by Bluetooth SIG, Inc. and any use of such marks by GE Appliances is under license. Other trademarks and trade names are those of their respective owners.

RANGES



30" SMART SLIDE-IN, FRONT-CONTROL GAS RANGE WITH CONVECTION OVEN AND STORAGE DRAWER

CGS700P2MS1

- Six-burner, edge-to-edge cooktop
- Cast-iron integrated griddle
- Built-in WiFi powered by SmartHQ™
- 21,000-BTU tri-ring burner
- 15,000-BTU Power Boil burner
- True Convection with Precise Air
- No-preheat air fry*



30" SMART SLIDE-IN, FRONT-CONTROL RADIANT AND CONVECTION DOUBLE-OVEN RANGE

CES750P2MS1

- Edge-to-edge glass cooktop
- 12"/9"/6" 3,600-watt Power Boil
- 6.7 cu. ft. total oven capacity
- True Convection with Precise Air (lower oven only)
- Built-in WiFi powered by SmartHQ
- Precision oven probe
- Backlit glass touch-control panel
- No-preheat air fry*



30" SMART SLIDE-IN, FRONT-CONTROL RADIANT AND CONVECTION RANGE WITH WARMING DRAWER

CES700P2MS1

- Edge-to-edge glass cooktop
- 12"/9"/6" 3,600-watt Power Boil burner
- True Convection with Precise Air
- Precision oven probe
- Built-in WiFi powered by SmartHQ
- Backlit glass touch-control panel
- No-preheat air fry*



DISHWASHERS



STAINLESS INTERIOR SMART DISHWASHER WITH DUAL-CONVECTION ULTRA DRY

CDT875P2NS1

- Ultra wash & dry plus
- Status center
- Loading flexibility
- Adjustable upper racks
- Third rack
- Built-in WiFi powered by SmartHQ



STAINLESS INTERIOR SMART DISHWASHER WITH 90+ CLEANING JETS

CDT845P2NS1

- Ultra wash with 90+ cleaning jets
- Ultra dry
- Bottle Jets
- Deep Clean Silverware Jets
- Reversing quad-blade wash arm
- Third rack
- WiFi optional***



STAINLESS INTERIOR SMART DISHWASHER WITH ULTRA DRY

CDT805P2NS1

- Ultra wash
- Ultra dry
- Bottle Jets
- Reversing quad-blade wash arm
- Third rack
- Fold-down tines
- WiFi optional***



MICROWAVE OVENS



2.1 CU. FT. OVER-THE-RANGE MICROWAVE OVEN

CVM521P2MS1

- Chef Connect
- Steam cook
- Sensor cooking controls
- LED cooktop lighting
- Easy-clean interior
- 400-CFM venting system



1.7 CU. FT. CONVECTION OVER-THE-RANGE MICROWAVE OVEN

CVM517P2MS1

- Chef Connect
- Steam cook
- Sensor cooking controls
- Fast Cook setting
- Convection cooking
- LED cooktop lighting



1.5 CU. FT. SMART COUNTERTOP CONVECTION/MICROWAVE OVEN

CEB515P2RSS

- Built-in WiFi powered by SmartHQ
- Scan-to-cook technology
- Convection cooking
- Sensor cooking controls
- Warming oven
- Auto bake/auto roast

Optional built-in trim kit:
CX153P2MSS (30")
CX152P2MSS (27")



The *Bluetooth*® word mark and logos are registered trademarks owned by Bluetooth SIG, Inc. and any use of such marks by GE Appliances is under license. Other trademarks and trade names are those of their respective owners.

*Feature upgrade will be available via the SmartHQ app.

**Only applicable under ADA-compliant installation. Complete features and specifications on pages 127, 146-151. For definitions of logos, see page 3.

***SmartHQ Connect Module is required and sold separately. It is available for order on geappliances.com, part number PBX23W00YO.



COLLECTIONS

FEATURES

MODERN GLASS

STAINLESS

MATTE WHITE

MATTE BLACK

PACKAGE OPTIONS

SPECIFICATIONS

Matte White & Brushed Bronze

The Matte White finish complements premium cabinetry and works well with warm-toned fixtures, resulting in a layered space that feels connected, clean and timeless.



Brushed Bronze Hardware Standard
—
Easy Clean
—
Fingerprint Resistant

REFRIGERATION



27.6 CU. FT. SMART FOUR-DOOR, FRENCH-DOOR REFRIGERATOR CVE28DP4NW2

- Adjustable-temperature drawer with sliding glass dividers
- Humidity-control system
- LED Light Wall
- Hands-free AutoFill
- Flatbread freezer tray
- Built-in WiFi powered by SmartHQ™



27.8 CU. FT. SMART FRENCH-DOOR REFRIGERATOR WITH HOT WATER DISPENSER CFE28TP4MW2

- Hot water dispenser
- Precise Fill setting
- Full-width, electronic temperature-controlled drawer with LED lights
- TwinChill™ evaporators
- Showcase LED lighting
- Built-in WiFi powered by SmartHQ



22.2 CU. FT. SMART COUNTER-DEPTH, FRENCH-DOOR REFRIGERATOR WITH HOT WATER DISPENSER CYE22TP4MW2

- Counter-depth design
- Hot water dispenser
- Precise Fill setting
- TwinChill™ evaporators
- Full-width, electronic temperature-controlled drawer with LED lights
- Showcase LED lighting



23.1 CU. FT. SMART COUNTER-DEPTH, FRENCH-DOOR REFRIGERATOR CWE23SP4MW2

- Counter-depth design
- Internal water dispenser
- WiFi optional
- Factory-installed icemaker
- Full-width, electronic temperature-controlled drawer with LED lights
- TwinChill evaporators
- Showcase LED lighting



18.6 CU. FT. SMART COUNTER-DEPTH, FRENCH-DOOR REFRIGERATOR CWE19SP4NW2*

- Fits in a 33" opening
- Counter-depth design
- Internal water dispenser
- WiFi optional
- Showcase LED lighting
- Humidity-controlled drawers
- Turbo Cool



ICE MAKERS AND DOOR PANEL



NUGGET ICE MAKER UNC15NJII

- Nugget ice
- The options you need to make a statement
- 56 pounds of quality ice per day
- LED lighting
- Integrated scoop
- Large-capacity ice bin
- Holds 26 pounds of ice
- Clean indicator light
- Optional drain pump kit (UPK3) available



GOURMET CLEAR ICE MAKER UCC15NJII

- Gourmet clear ice
- The options you need to make a statement
- 48 pounds of quality ice per day
- LED lighting
- Integrated scoop
- Large-capacity ice bin
- Holds 26 pounds of ice
- Clean indicator light
- Optional drain pump kit (UPK3) available



MATTE WHITE DOOR PANEL KIT FOR 15" ICE MAKERS CIP75W2

- Compatible with UNC15NJII and UCC15NJII ice makers
- Easy to install
- Brushed bronze handle included
- Custom handle kits available (sold separately)

BUILT-IN REFRIGERATOR DRAWERS



5.7 CU. FT. BUILT-IN, DUAL-DRAWER REFRIGERATOR CDE06RP4NW2

- Stainless steel interior
- Soft-close drawers
- Adjustable dividers
- LED lighting
- Chills between 34° and 45° F
- Flush installation
- Door/Drawer ajar alarm



WINE AND BEVERAGE CENTERS



5.1 CU. FT. BEVERAGE CENTER CCP06BP4PW2

- LED light wall
- Magnum 4-bottle storage
- Built-in WiFi powered by SmartHQ
- Flush installation
- 14-bottle or 126-can capacity
- Quick Space shelf
- Articulating door hinges
- Reversible door



4.7 CU. FT. WINE CENTER CCP06DP4PW2

- LED light wall
- Magnum 8-bottle storage
- Built-in WiFi powered by SmartHQ
- Flush installation
- Dual zone temperature control
- 46-bottle capacity
- Articulating door hinges
- Reversible door



*U+ Connect Module is required and sold separately. It is available for order on geappliances.com, part number PBX23W00Y0. Complete features and specifications on pages 124-126. For definitions of logos, see page 3.

BUILT-IN WALL OVENS



30" SMART FRENCH-DOOR, DOUBLE WALL OVEN WITH CONVECTION

CTD90FP4NW2

- French-door design
- 7" full-color display
- True European Convection with Direct Air (both ovens)
- No-preheat air fry
- Precision cooking
- Built-in WiFi powered by SmartHQ™*
- Never-Scrub, heavy-duty roller racks (both ovens)
- Self-clean with Steam Clean option



Perfect Match Cooktops:
CGU366 (Gas), CGU486 (Gas)



30" SMART FRENCH-DOOR, SINGLE WALL OVEN WITH CONVECTION

CTS90FP4NW2

- French-door design
- 7" full-color display
- True European Convection with Direct Air
- No-preheat air fry
- Precision cooking
- Built-in WiFi powered by SmartHQ™*
- Never-Scrub, heavy-duty roller racks
- Self-clean with Steam Clean option



Perfect Match Cooktops:
CGU366 (Gas), CGU486 (Gas)



30" SMART DOUBLE WALL OVEN WITH CONVECTION

CTD90DP4NW2

- In-oven camera
- Precision cooking
- 7" full-color display
- No-preheat air fry
- Dehydrate mode
- No preheat options
- Built-in WiFi powered by SmartHQ™*
- True European Convection with Direct Air (both ovens)
- Precision temperature probe



Perfect Match Cooktops:
CHP9536 (Induction), CEP9036 (Electric),
CGP9536 (Gas)



30" SMART SINGLE WALL OVEN WITH CONVECTION

CTS90DP4NW2

- In-oven camera
- Dehydrate mode
- Soft-close door
- Precision cooking
- 7" full-color display
- True European Convection with Direct Air
- No preheat air fry
- Built-in WiFi powered by SmartHQ™*



Perfect Match Cooktops:
CHP9536 (Induction), CEP9036 (Electric),
CGP9536 (Gas)

ADVANTIUM® OVENS



30" SMART FIVE-IN-ONE OVEN WITH 240V ADVANTIUM™ TECHNOLOGY

CSB923P4NW2

- Five-in-one oven
- Speedcook
- 7" full-color display
- Crisp reheat
- 240V
- Steam cook



30" SMART FIVE-IN-ONE OVEN WITH 120V ADVANTIUM™ TECHNOLOGY

CSB913P4NW2

- Speedcook
- Five-in-one oven
- 7" full-color display
- Crisp reheat
- 120V
- Steam cook



30" WARMING DRAWER CTW900P4PW2

- Variable-degree control
- Variable-humidity control
- Frameless front
- "On" indicator light
- Half rack
- Customizable hardware

ELECTRIC COOKTOPS



36" SMART TOUCH-CONTROL INDUCTION COOKTOP

CHP95362MSS

- Gourmet guided cooking
- Pan presence sensor
- Five induction elements
- White LED glide touch controls
- 11" 3,700-watt induction element
- Two 7" synchronized elements
- Multi-element timer
- Hestan pan included



Perfect Match Wall Ovens:
CTS90DP (Single),
CTD90DP (Double)



30" SMART TOUCH-CONTROL INDUCTION COOKTOP

CHP95302MSS

- Gourmet guided cooking
- Pan presence sensor
- Four induction elements
- White LED glide touch controls
- 11" 3,700-watt induction element
- Two 7" synchronized elements
- Multi-element timer
- Hestan pan included



Perfect Match Wall Ovens:
CTS90DP (Single),
CTD90DP (Double)



36" TOUCH-CONTROL ELECTRIC COOKTOP

CEP90362NSS

- 12"/9"/6" burner with Power Boil
- Two 7" synchronized elements
- Red LED glide touch controls
- 9"/7"/5" element with Power Boil
- Five radiant cooking elements
- Griddle included

Also available in black: **CEP90361NBB**



Perfect Match Wall Ovens:
CTS90DP (Single),
CTD90DP (Double)

*See spec pages 128-129 for WiFi-enabled features.
Complete features and specifications on pages 128-132, 135, 138.
For definitions of logos, see page 3.

ELECTRIC COOKTOPS



30" TOUCH-CONTROL ELECTRIC COOKTOP CEP90302NSS

- Five radiant cooking elements
- Two 7" synchronized elements
- Red LED glide touch controls
- 9"/7"/5" element with Power Boil
- 8"/5" dual element
- Griddle included

Also available in black: **CEP90301NBB**



Perfect Match Wall Ovens:
CTS90DP (Single),
CTD90DP (Double)



36" KNOB-CONTROL ELECTRIC COOKTOP CEP70363MS2

- Five radiant cooking elements
- 12"/9"/6" burner with Power Boil
- White LED backlit knobs with beveled-edge black glass surface
- 9"/7"/5" Power Boil element
- Two 7" synchronized elements



Perfect Match Wall Ovens:
CTS70DP (Single),
CTD70DP (Double)



30" KNOB-CONTROL ELECTRIC COOKTOP CEP70303MS2

- Five radiant cooking elements
- 9"/7"/5" Power Boil element
- White LED backlit knobs with beveled-edge black glass surface
- 8"/5" dual element
- Two 7" synchronized elements



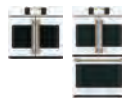
Perfect Match Wall Ovens:
CTS70DP (Single),
CTD70DP (Double)

COMMERCIAL-STYLE RANGETOPS



48" COMMERCIAL-STYLE GAS RANGETOP WITH 6 BURNERS AND GRIDDLE

- #### CGU486P4TW2
- Versatile cooktop
 - Color-matched manifold
 - Multi-ring burner
 - Two griddle burners
 - Two high-heat burners
 - Inspirational™ burner
 - Inspirational wok grate
 - Built-in griddle with thermostat

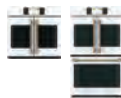


Perfect Match Wall Ovens:
CTS90FP (Single),
CTD90FP (Double)



36" COMMERCIAL-STYLE GAS RANGETOP WITH 6 BURNERS

- #### CGU366P4TW2
- Versatile cooktop
 - Color-matched manifold
 - Multi-ring burner
 - Two griddle burners
 - Two high-heat burners
 - Inspirational™ burner
 - Inspirational wok grate



Perfect Match Wall Ovens:
CTS90FP (Single),
CTD90FP (Double)

GAS COOKTOPS



36" GAS COOKTOP CGP95363MS2

- 20,000-BTU tri-ring burner
- White LED backlit, heavy-duty knobs
- Extra-large, integrated cooktop griddle
- Precise Simmer burner
- Heavy-cast, edge-to-edge grates
- Sealed cooktop burners



Perfect Match Wall Ovens:
CTS90DP (Single),
CTD90DP (Double)



30" GAS COOKTOP CGP95303MS2

- 20,000-BTU tri-ring burner
- White LED backlit, heavy-duty knobs
- Extra-large, integrated cooktop griddle
- 30" cooktop with 5 burners
- Precise Simmer burner
- Heavy-cast, edge-to-edge grates



Perfect Match Wall Ovens:
CTS90DP (Single),
CTD90DP (Double)



36" GAS COOKTOP CGP70362NS1

- 18,000-BTU burner
- Sealed cooktop burners
- White LED backlit, heavy-duty knobs
- Precise Simmer burner
- Continuous cast-iron grates



Perfect Match Wall Ovens:
CTS70DP (Single),
CTD70DP (Double)



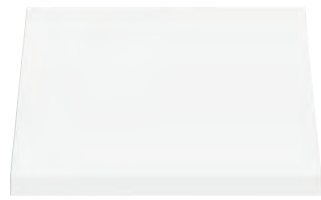
30" GAS COOKTOP CGP70302NS1

- 18,000-BTU burner
- White LED backlit, heavy-duty knobs
- 30" cooktop with 5 burners
- Precise Simmer burner
- Continuous cast-iron grates



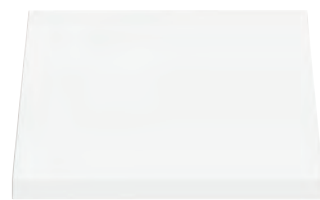
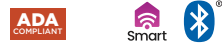
Perfect Match Wall Ovens:
CTS70DP (Single),
CTD70DP (Double)

VENTILATION



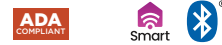
36" COMMERCIAL HOOD CVW93644PWW

- 600-CFM venting system
- Four-speed fan control
- Horizontal and vertical exhaust
- Dual LED cooktop lighting
- Removable and dishwasher-safe baffle filter
- QuietBoost



30" COMMERCIAL HOOD CVW93044PWW

- 600-CFM venting system
- Four-speed fan control
- Horizontal and vertical exhaust
- Dual LED cooktop lighting
- Removable and dishwasher-safe baffle filter
- QuietBoost



36" WALL-MOUNT GLASS CANOPY CHIMNEY HOOD CVW73614MWW

- 350-CFM venting system with boost
- Electronic backlit controls
- Dual halogen cooktop lighting
- Night light
- Convertible venting options
- Optional remote control (UXRC70)



30" WALL-MOUNT GLASS CANOPY CHIMNEY HOOD CVW73014MWW

- 350-CFM venting system with boost
- Electronic backlit controls
- Dual halogen cooktop lighting
- Night light
- Convertible venting options
- Optional remote control (UXRC70)



*Feature upgrade will be available via the SmartHQ app.
**Free cookware rebate may be available.
Complete features and specifications on pages 140-149.
For definitions of logos, see page 3.

COMMERCIAL-STYLE RANGES



48" SMART COMMERCIAL-STYLE DUAL-FUEL RANGE WITH 6 BURNERS AND GRIDDLE C2Y486P4TW2

- Caterer oven
- Second oven for everyday use
- Color-matched manifold with LCD
- Inspiral™ burner
- Multi-ring burner
- Two griddle burners
- Two high-heat burners
- Built-in griddle with thermostat
- Built-in WiFi powered by SmartHQ™



36" SMART DUAL-FUEL COMMERCIAL-STYLE RANGE WITH 6 BURNERS (NATURAL GAS) C2Y366P4TW2

- Caterer oven
- Color-matched manifold with LCD
- Inspiral burner
- Multi-ring burner
- Two griddle burners
- Built-in WiFi powered by SmartHQ



36" SMART ALL-GAS COMMERCIAL-STYLE RANGE WITH 6 BURNERS (NATURAL GAS) CGY366P4TW2

- Caterer oven
- Color-matched manifold with LCD
- Inspiral burner
- Multi-ring burner
- Two griddle burners
- Built-in WiFi powered by SmartHQ



RANGES



30" SMART SLIDE-IN, FRONT-CONTROL, DOUBLE-OVEN DUAL-FUEL RANGE WITH CONVECTION C2S950P4MW2

- Six-burner, edge-to-edge cooktop
- Cast-iron, integrated griddle
- Built-in WiFi powered by SmartHQ
- Precision oven modes
- Backlit glass touch-control panel
- 21,000-BTU tri-ring burner
- 15,000-BTU Power Boil burner
- No-preheat air fry*



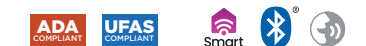
30" SMART SLIDE-IN, FRONT-CONTROL INDUCTION AND CONVECTION DOUBLE-OVEN RANGE CHS950P4MW2

- Gourmet guided cooking**
- 6.7 cu. ft. total oven capacity
- True Convection with Precise Air (lower oven only)
- Backlit glass touch-control panel
- 11" 3,700-watt induction element
- Sous vide probe**
- No-preheat air fry*



30" SMART SLIDE-IN, FRONT-CONTROL INDUCTION AND CONVECTION RANGE WITH WARMING DRAWER CHS900P4MW2

- Gourmet guided cooking**
- Built-in WiFi powered by SmartHQ
- Precision oven modes
- Sous-vide enabled
- Backlit glass touch-control panel
- 11" 3,700W induction element
- Two 8" synchronized elements
- No-preheat air fry*



The *Bluetooth*® word mark and logos are registered trademarks owned by Bluetooth SIG, Inc. and any use of such marks by GE Appliances is under license. Other trademarks and trade names are those of their respective owners.

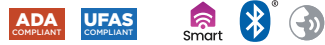
RANGES



30" SMART SLIDE-IN, FRONT-CONTROL GAS DOUBLE-OVEN RANGE WITH CONVECTION

CGS750P4MW2

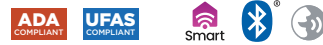
- 7.0 cu. ft. total oven capacity
- True Convection with Precise Air (lower oven only)
- Built-in WiFi powered by SmartHQ™
- Six-burner, edge-to-edge cooktop
- Cast-iron, integrated griddle
- 21,000-BTU tri-ring burner
- No-preheat air fry*



30" SMART SLIDE-IN, FRONT-CONTROL GAS RANGE WITH CONVECTION OVEN AND STORAGE DRAWER

CGS700P4MW2

- Six-burner, edge-to-edge cooktop
- Cast-iron, integrated griddle
- Built-in WiFi powered by SmartHQ
- 21,000-BTU tri-ring burner
- 15,000-BTU Power Boil burner
- True Convection with Precise Air
- No-preheat air fry*



30" SMART SLIDE-IN, FRONT-CONTROL RADIANT AND CONVECTION DOUBLE-OVEN RANGE

CES750P4MW2

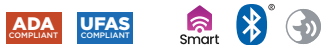
- Edge-to-edge glass cooktop
- 12"/9"/6" 3,600 watt Power Boil Burner
- 6.7 cu. ft. total double-oven capacity
- True Convection and Precise Air (lower oven only)
- Built-in WiFi powered by SmartHQ
- Precision oven probe
- Backlit glass touch-control panel
- No-preheat air fry*



30" SMART SLIDE-IN, FRONT-CONTROL RADIANT AND CONVECTION RANGE WITH WARMING DRAWER

CES700P4MW2

- Edge-to-edge glass cooktop
- 12"/9"/6" 3,600-watt Power Boil burner
- True Convection with Precise Air
- Backlit glass touch-control panel
- Precision oven probe
- Built-in WiFi powered by SmartHQ
- No-preheat air fry*



MICROWAVE OVENS



1.7 CU. FT. CONVECTION OVER-THE-RANGE MICROWAVE OVEN

CVM517P4MW2

- Convection cooking
- Steam cook button
- Fast Cook
- Sensor cooking controls
- Chef Connect
- LED cooktop lighting



1.5 CU. FT. SMART COUNTERTOP CONVECTION/MICROWAVE OVEN

CEB515P4RWM

- Built-in WiFi powered by SmartHQ
- Scan-to-cook technology
- Convection cooking
- Auto Bake/Auto Roast
- Warming oven
- Sensor cooking controls

Optional built-in trim kit:
CX153P4MWM (30")
CX152P4MWM (27")



DISHWASHERS



STAINLESS INTERIOR SMART DISHWASHER WITH DUAL-CONVECTION ULTRA DRY

CDT875P4NW2

- Ultra wash & dry plus
- Status center
- Loading flexibility
- Adjustable upper racks
- Third rack
- Built-in WiFi powered by SmartHQ



STAINLESS INTERIOR SMART DISHWASHER WITH 90+ CLEANING JETS

CDT845P4NW2

- Ultra wash with 90+ cleaning jets
- Ultra dry
- Bottle Jets
- Deep Clean Silverware Jets
- Reversing quad-blade wash arm
- Third rack
- WiFi optional***



*Feature upgrade will be available via the SmartHQ app.
**Only applicable under ADA-compliant installation.
Complete features and specifications on pages 127, 146-151.
For definitions of logos, see page 3.

The *Bluetooth*® word mark and logos are registered trademarks owned by Bluetooth SIG, Inc. and any use of such marks by GE Appliances is under license. Other trademarks and trade names are those of their respective owners.

***SmartHQ Connect Module is required and sold separately. It is available for order on geappliances.com, part number PBX23W00YO.



COLLECTIONS

FEATURES

MODERN GLASS

STAINLESS

MATTE WHITE

MATTE BLACK

PACKAGE OPTIONS

SPECIFICATIONS

Matte Black & Brushed Stainless

The Matte Black finish is inspired by the natural deep tones of wood and stone. Create a crisp, bold statement with room for thoughtfully added details.



Brushed Stainless Hardware Standard
—
Easy Clean
—
Fingerprint Resistant

REFRIGERATION



27.6 CU. FT. SMART FOUR-DOOR, FRENCH-DOOR REFRIGERATOR CVE28DP3ND1

- Adjustable-temperature drawer with sliding glass dividers
- Humidity-control system
- LED Light Wall
- Hands-free AutoFill
- Flatbread freezer tray
- Built-in WiFi powered by SmartHQ™



27.8 CU. FT. SMART FRENCH-DOOR REFRIGERATOR WITH HOT WATER DISPENSER CFE28TP3MD1

- Hot water dispenser
- Precise Fill setting
- Full-width, electronic temperature-controlled drawer with colored LED lights
- TwinChill™ evaporators
- Showcase LED lighting
- Built-in WiFi powered by SmartHQ



22.2 CU. FT. SMART COUNTER-DEPTH, FRENCH-DOOR REFRIGERATOR WITH HOT WATER DISPENSER CYE22TP3MD1

- Counter-depth design
- Hot water dispenser
- Precise Fill setting
- TwinChill™ evaporators
- Full-width, electronic temperature-controlled drawer with LED lights
- Showcase LED lighting



23.1 CU. FT. SMART COUNTER-DEPTH, FRENCH-DOOR REFRIGERATOR CWE23SP3MD1

- Counter-depth design
- Internal water dispenser
- Factory-installed icemaker
- Full-width, electronic temperature-controlled drawer with LED lights
- TwinChill™ evaporators
- Showcase LED lighting



18.6 CU. FT. SMART COUNTER-DEPTH, FRENCH-DOOR REFRIGERATOR CWE19SP3ND1*

- Fits in a 33" opening
- Counter-depth design
- Internal water dispenser
- Showcase LED lighting
- Humidity-controlled drawers
- Turbo Cool



ICE MAKERS AND DOOR PANEL



NUGGET ICE MAKER UNC15NJII

- Nugget ice
- The options you need to make a statement
- 56 pounds of quality ice per day
- LED lighting
- Integrated scoop
- Large-capacity ice bin
- Holds 26 pounds of ice
- Clean indicator light
- Optional drain pump kit (UPK3) available



GOURMET CLEAR ICE MAKER UCC15NJII

- Gourmet clear ice
- The options you need to make a statement
- 48 pounds of quality ice per day
- LED lighting
- Integrated scoop
- Large-capacity ice bin
- Holds 26 pounds of ice
- Clean indicator light
- Optional drain pump kit (UPK3) available



MATTE BLACK DOOR PANEL KIT FOR 15" ICE MAKERS CIP75D1

- Compatible with UNC15NJII and UCC15NJII ice makers
- Easy to install
- Brushed bronze handle included
- Custom handle kits available (sold separately)

BUILT-IN REFRIGERATOR DRAWERS



5.7 CU. FT. BUILT-IN, DUAL-DRAWER REFRIGERATOR CDE06RP3ND1

- Stainless steel interior
- Soft-close drawers
- Adjustable dividers
- LED lighting
- Chills between 34° and 45° F
- Flush installation
- Door/Drawer ajar alarm



WINE AND BEVERAGE CENTERS



5.1 CU. FT. BEVERAGE CENTER CCP06BP3PD1

- LED light wall
- Magnum 4-bottle storage
- Built-in WiFi powered by SmartHQ
- Flush installation
- 14-bottle or 126-can capacity
- Quick Space shelf
- Articulating door hinges
- Reversible door



4.7 CU. FT. WINE CENTER CCP06DP3PD1

- LED light wall
- Magnum 8-bottle storage
- Built-in WiFi powered by SmartHQ
- Flush installation
- Dual zone temperature control
- 46-bottle capacity
- Articulating door hinges
- Reversible door



*U+ Connect Module is required and sold separately. It is available for order on geappliances.com, part number PBX23W00Y0. Complete features and specifications on pages 124-126. For definitions of logos, see page 3.

BUILT-IN WALL OVENS



30" SMART FRENCH-DOOR, DOUBLE WALL OVEN WITH CONVECTION

CTD90FP3ND1

- French-door design
- 7" full-color display
- True European Convection with Direct Air (both ovens)
- No-preheat air fry
- Precision cooking
- Built-in WiFi powered by SmartHQ™*
- Never-Scrub, heavy-duty roller racks (both ovens)
- Self-clean with Steam Clean option



Perfect Match Cooktops:
CGU366 (Gas), CGU486 (Gas)



30" SMART FRENCH-DOOR, SINGLE WALL OVEN WITH CONVECTION

CTS90FP3ND1

- French-door design
- 7" full-color display
- True European Convection with Direct Air
- No-preheat air fry
- Precision cooking
- Built-in WiFi powered by SmartHQ*
- Never-Scrub, heavy-duty roller racks
- Self-clean with Steam Clean option



Perfect Match Cooktops:
CGU366 (Gas), CGU486 (Gas)



30" SMART DOUBLE WALL OVEN WITH CONVECTION

CTD90DP3ND1

- In-oven camera
- Precision cooking
- 7" full-color display
- No-preheat air fry
- Dehydrate mode
- No-preheat options
- Built-in WiFi powered by SmartHQ*
- True European Convection with Direct Air (both ovens)
- Precision temperature probe



Perfect Match Cooktops:
CHP9536 (Induction), CEP9036 (Electric),
CGP9536 (Gas)



30" SMART SINGLE WALL OVEN WITH CONVECTION

CTS90DP3ND1

- In-oven camera
- Dehydrate mode
- Soft-close door
- Precision cooking
- 7" full-color display
- True European Convection with Direct Air
- No-preheat air fry
- Built-in WiFi powered by SmartHQ*



Perfect Match Cooktops:
CHP9536 (Induction), CEP9036 (Electric),
CGP9536 (Gas)

ADVANTIUM® OVENS



30" SMART FIVE-IN-ONE OVEN WITH 240V ADVANTIUM TECHNOLOGY

CSB923P3ND1

- Five-in-one oven
- Speedcook
- Crisp reheat
- 7" full-color display
- 240V
- Steam cook



30" SMART FIVE-IN-ONE OVEN WITH 120V ADVANTIUM® TECHNOLOGY

CSB913P3ND1

- Speedcook
- Five-in-one oven
- 7" full-color display
- Crisp reheat
- 120V
- Steam cook



30" WARMING DRAWER CTW900P3PD1

- Variable-degree control
- Variable-humidity control
- Frameless front
- "On" indicator light
- Half rack
- Customizable hardware

ELECTRIC COOKTOPS



36" SMART TOUCH-CONTROL INDUCTION COOKTOP

CHP95362MSS

- Gourmet guided cooking
- Pan presence sensor
- Five induction elements
- White LED glide touch controls
- 11" 3,700-watt induction element
- Two 7" synchronized elements
- Multi-element timer
- Hestan pan included



Perfect Match Wall Ovens:
CTS90DP (Single),
CTD90DP (Double)



30" SMART TOUCH-CONTROL INDUCTION COOKTOP

CHP95302MSS

- Gourmet guided cooking
- Pan presence sensor
- Four induction elements
- White LED glide touch controls
- 11" 3,700-watt induction element
- Two 7" synchronized elements
- Multi-element timer
- Hestan pan included



Perfect Match Wall Ovens:
CTS90DP (Single),
CTD90DP (Double)



36" TOUCH-CONTROL ELECTRIC COOKTOP CEP90362NSS

- 12"/9"/6" burner with Power Boil
- Two 7" synchronized elements
- Red LED glide touch controls
- 9"/7"/5" element with Power Boil
- Five radiant cooking elements
- Griddle included

Also available in black: **CEP90361NBB**



Perfect Match Wall Ovens:
CTS90DP (Single),
CTD90DP (Double)

*See spec pages 128-129 for WiFi-enabled features.
Complete features and specifications on pages 128-132, 135, 138.
For definitions of logos, see page 3.

ELECTRIC COOKTOPS



30" TOUCH-CONTROL ELECTRIC COOKTOP CEP90302NSS

- Five radiant cooking elements
- Two 7" synchronized elements
- Red LED glide touch controls
- 9"/7"/5" element with Power Boil
- 8"/5" dual element
- Griddle included

Also available in black: **CEP90301NBB**



Perfect Match Wall Ovens:
CTS90DP (Single),
CTD90DP (Double)



36" KNOB-CONTROL ELECTRIC COOKTOP CEP70362MS1

- Five radiant cooking elements
- 12"/9"/6" burner with Power Boil
- White LED backlit knobs with beveled-edge black glass surface
- 9"/7"/5" Power Boil element
- Two 7" synchronized elements



Perfect Match Wall Ovens:
CTS70DP (Single),
CTD70DP (Double)



30" KNOB-CONTROL ELECTRIC COOKTOP CEP70302MS1

- Five radiant cooking elements
- 9"/7"/5" Power Boil element
- White LED backlit knobs with beveled-edge black glass surface
- 8"/5" dual element
- Two 7" synchronized elements



Perfect Match Wall Ovens:
CTS70DP (Single),
CTD70DP (Double)

GAS COOKTOPS



36" GAS COOKTOP CGP95362MS1

- 20,000-BTU tri-ring burner
- White LED backlit, heavy-duty knobs
- Extra-large, integrated cooktop griddle
- Precise Simmer burner
- Heavy-cast, edge-to-edge grates
- Sealed cooktop burners



Perfect Match Wall Ovens:
CTS90DP (Single),
CTD90DP (Double)



30" GAS COOKTOP CGP95302MS1

- 20,000-BTU tri-ring burner
- White LED backlit, heavy-duty knobs
- Extra-large, integrated cooktop griddle
- 30" cooktop with 5 burners
- Precise Simmer burner
- Heavy-cast, edge-to-edge grates



Perfect Match Wall Ovens:
CTS90DP (Single),
CTD90DP (Double)

COMMERCIAL-STYLE RANGETOPS



48" COMMERCIAL-STYLE GAS RANGETOP WITH 6 BURNERS AND GRIDDLE

- #### CGU486P3TD1
- Versatile cooktop
 - Color-matched manifold
 - Multi-ring burner
 - Two griddle burners
 - Two high-heat burners
 - Inspirational™ burner
 - Inspirational wok grate
 - Built-in griddle with thermostat



Perfect Match Wall Ovens:
CTS90FP (Single),
CTD90FP (Double)



36" COMMERCIAL-STYLE GAS RANGETOP WITH 6 BURNERS

- #### CGU366P3TD1
- Versatile cooktop
 - Color-matched manifold
 - Multi-ring burner
 - Two griddle burners
 - Two high-heat burners
 - Inspirational™ burner
 - Inspirational wok grate



Perfect Match Wall Ovens:
CTS90FP (Single),
CTD90FP (Double)



36" GAS COOKTOP CGP70362NS1

- 18,000-BTU burner
- Sealed cooktop burners
- White LED backlit, heavy-duty knobs
- Precise Simmer burner
- Continuous cast-iron grates



Perfect Match Wall Ovens:
CTS70DP (Single),
CTD70DP (Double)



30" GAS COOKTOP CGP70302NS1

- 18,000-BTU burner
- White LED backlit, heavy-duty knobs
- 30" cooktop with 5 burners
- Precise Simmer burner
- Continuous cast-iron grates



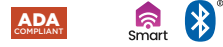
Perfect Match Wall Ovens:
CTS70DP (Single),
CTD70DP (Double)

VENTILATION



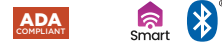
36" COMMERCIAL HOOD CVW93643PDS

- 600-CFM venting system
- Four-speed fan control
- Horizontal and vertical exhaust
- Dual LED cooktop lighting
- Removable and dishwasher-safe baffle filter
- QuietBoost



30" COMMERCIAL HOOD CVW93043PDS

- 600-CFM venting system
- Four-speed fan control
- Horizontal and vertical exhaust
- Dual LED cooktop lighting
- Removable and dishwasher-safe baffle filter
- QuietBoost



36" WALL-MOUNT GLASS CANOPY CHIMNEY HOOD CVW73613MDS

- 350-CFM venting system with boost
- Electronic backlit controls
- Dual halogen cooktop lighting
- Night light
- Convertible venting options
- Optional remote control (UXRC70)



30" WALL-MOUNT GLASS CANOPY CHIMNEY HOOD CVW73013MDS

- 350-CFM venting system with boost
- Electronic backlit controls
- Dual halogen cooktop lighting
- Night light
- Convertible venting options
- Optional remote control (UXRC70)



*Feature upgrade will be available via the SmartHQ app.
**Free cookware rebate may be available.
Complete features and specifications on pages 140-149.
For definitions of logos, see page 3.

COMMERCIAL-STYLE RANGES



48" SMART COMMERCIAL-STYLE DUAL-FUEL RANGE WITH 6 BURNERS AND GRIDDLE C2Y486P3TD1

- Caterer oven
- Second oven for everyday use
- Color-matched manifold with LCD
- Inspiral™ burner
- Multi-ring burner
- Two griddle burners
- Two high-heat burners
- Built-in griddle with thermostat
- Built-in WiFi powered by SmartHQ™



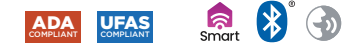
36" SMART DUAL-FUEL COMMERCIAL-STYLE RANGE WITH 6 BURNERS (NATURAL GAS) C2Y366P3TD1

- Caterer oven
- Color-matched manifold with LCD
- Inspiral™ burner
- Multi-ring burner
- Two griddle burners
- Built-in WiFi powered by SmartHQ



36" SMART ALL-GAS COMMERCIAL-STYLE RANGE WITH 6 BURNERS (NATURAL GAS) CGY366P3TD1

- Caterer oven
- Color-matched manifold with LCD
- Inspiral™ burner
- Multi-ring burner
- Two griddle burners
- Built-in WiFi powered by SmartHQ



RANGES



30" SMART SLIDE-IN, FRONT-CONTROL, DOUBLE-OVEN DUAL-FUEL RANGE WITH CONVECTION C2S950P3MD1

- Six-burner, edge-to-edge cooktop
- Cast-iron, integrated griddle
- Built-in WiFi powered by SmartHQ
- Precision oven modes
- Backlit glass touch-control panel
- 21,000-BTU tri-ring burner
- 15,000-BTU Power Boil burner
- No-preheat air fry*



30" SMART SLIDE-IN, FRONT-CONTROL INDUCTION AND CONVECTION DOUBLE-OVEN RANGE CHS950P3MD1

- Gourmet guided cooking**
- 6.7 cu. ft. total oven capacity
- True Convection with Precise Air (lower oven only)
- Backlit glass touch-control panel
- 11" 3,700-watt induction element
- Sous vide probe**
- No-preheat air fry*



30" SMART SLIDE-IN, FRONT-CONTROL INDUCTION AND CONVECTION RANGE WITH WARMING DRAWER CHS900P3MD1

- Gourmet guided cooking**
- Built-in WiFi powered by SmartHQ
- Precision oven modes
- Sous-vide enabled
- Backlit glass touch control panel
- 11" 3,700W induction element
- Two 8" synchronized elements
- No-preheat air fry*



The *Bluetooth*® word mark and logos are registered trademarks owned by Bluetooth SIG, Inc. and any use of such marks by GE Appliances is under license. Other trademarks and trade names are those of their respective owners.

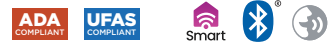
RANGES



30" SMART SLIDE-IN, FRONT-CONTROL GAS DOUBLE-OVEN RANGE WITH CONVECTION

CGS750P3MD1

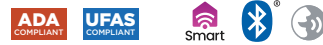
- 7.0 cu. ft. total oven capacity
- True Convection with Precise Air (lower oven only)
- Built-in WiFi powered by SmartHQ™
- Six-burner, edge-to-edge cooktop
- Cast-iron, integrated griddle
- 21,000-BTU tri-ring burner
- No-preheat air fry*



30" SMART SLIDE-IN, FRONT-CONTROL GAS RANGE WITH CONVECTION OVEN AND STORAGE DRAWER

CGS700P3MD1

- Six-burner, edge-to-edge cooktop
- Cast-iron, integrated griddle
- Built-in WiFi powered by SmartHQ™
- 21,000-BTU tri-ring burner
- 15,000-BTU Power Boil burner
- True Convection with Precise Air
- No-preheat air fry*



30" SMART SLIDE-IN, FRONT-CONTROL RADIANT AND CONVECTION DOUBLE-OVEN RANGE

CES750P3MD1

- Edge-to-edge glass cooktop
- 12"/9"/6" 3,600watt Power Boil Burner
- 6.7 cu. ft. total double-oven capacity
- True Convection and Precise Air (lower oven only)
- Built-in WiFi powered by SmartHQ™
- Precision oven probe
- Backlit glass touch-control panel
- No-preheat air fry*



30" SMART SLIDE-IN, FRONT-CONTROL RADIANT AND CONVECTION RANGE WITH WARMING DRAWER

CES700P3MD1

- Edge-to-edge glass cooktop
- 12"/9"/6" 3,600-watt Power Boil burner
- True Convection with Precise Air
- Backlit glass touch-control panel
- Precision oven probe
- Built-in WiFi powered by SmartHQ™
- No-preheat air fry*



MICROWAVE OVENS



1.7 CU. FT. CONVECTION OVER-THE-RANGE MICROWAVE OVEN

CVM517P3MD1

- Convection cooking
- Steam cook button
- Fast Cook
- Sensor cooking controls
- Chef Connect
- LED cooktop lighting



1.5 CU. FT. SMART COUNTERTOP CONVECTION/MICROWAVE OVEN

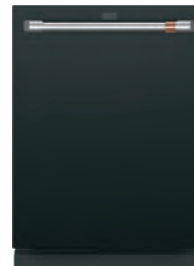
CEB515P3RDS

- Built-in WiFi powered by SmartHQ™
- Scan-to-cook technology
- Convection cooking
- Auto Bake/Auto Roast
- Warming oven
- Sensor cooking controls

Optional built-in trim kit:
CX153P3MDS (30")
CX152P3MDS (27")



DISHWASHERS



STAINLESS INTERIOR SMART DISHWASHER WITH DUAL-CONVECTION ULTRA DRY

CDT875P3ND1

- Ultra wash & dry plus
- Status center
- Loading flexibility
- Adjustable upper racks
- Third rack
- Built-in WiFi powered by SmartHQ™



STAINLESS INTERIOR SMART DISHWASHER WITH 90+ CLEANING JETS

CDT845P3ND1

- Ultra wash with 90+ cleaning jets
- Ultra dry
- Bottle Jets
- Deep Clean Silverware Jets
- Reversing quad-blade wash arm
- Third rack
- WiFi optional***



*Feature upgrade will be available via the SmartHQ app.
**Only applicable under ADA-compliant installation.
Complete features and specifications on pages 127, 146-151.
For definitions of logos, see page 3.

The *Bluetooth*® word mark and logos are registered trademarks owned by Bluetooth SIG, Inc. and any use of such marks by GE Appliances is under license. Other trademarks and trade names are those of their respective owners.

***SmartHQ Connect Module is required and sold separately. It is available for order on geappliances.com, part number PBX23W00YO

The perfect kitchen, neatly packaged.

Options are a must when creating a dream kitchen. That's why Café assembled a host of striking combinations, each tailored to unique tastes and needs. Select a suite and handpick the appliances to create a one-of-a-kind package for any style.



COLLECTIONS
FEATURES
MODERN GLASS
STAINLESS
MATTE WHITE
MATTE BLACK
PACKAGE OPTIONS
SPECIFICATIONS

FREE-STANDING

Primary

Stunning pairings, essential features.
Enjoy unlimited performance for
impressive results.



ENERGY STAR® 27.6 CU. FT. SMART FOUR-DOOR, FRENCH-DOOR REFRIGERATOR
■ CVE28DM5NS5



30" SMART SLIDE-IN, FRONT-CONTROL GAS RANGE WITH CONVECTION OVEN AND STORAGE DRAWER
■ CGS700M2NS5



30" SMART SLIDE-IN, FRONT-CONTROL RADIANT AND CONVECTION RANGE WITH STORAGE DRAWER
■ CES700M2NS5



2.1 CU. FT. SMART OVER-THE-RANGE MICROWAVE OVEN
■ CVM721M2NS5



STAINLESS INTERIOR DISHWASHER WITH ULTRA DRY
■ CDT805M5NS5

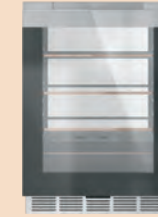
FREE-STANDING

Refined

Upgraded offerings with enhanced capabilities. Expect total convenience and inspired cooking experiences.



ENERGY STAR® 27.6 CU. FT. SMART FOUR-DOOR, FRENCH-DOOR REFRIGERATOR
CVE28DM5NS5



BEVERAGE CENTER
CCR06BM2PS5



30" SMART SLIDE-IN, FRONT-CONTROL, DOUBLE-OVEN DUAL-FUEL RANGE WITH CONVECTION
C2S950M2NS5



30" SMART SLIDE-IN, FRONT-CONTROL INDUCTION AND CONVECTION RANGE WITH STORAGE DRAWER
CHS900M2NS5



2.1 CU. FT. SMART OVER-THE-RANGE MICROWAVE OVEN
CVM721M2NS5



STAINLESS INTERIOR DISHWASHER WITH HIDDEN CONTROLS
CDT845M5NS5



STAINLESS INTERIOR SMART DISHWASHER WITH DUAL-CONVECTION ULTRA DRY
CDT875M5NS5

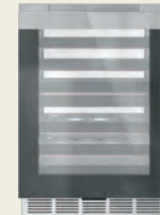
FREE-STANDING

Optimal

Premium selections with best-in-class features. Wow guests with cutting-edge technology and superior aesthetics.



ENERGY STAR® 27.6 CU. FT. SMART QUAD-DOOR, FRENCH-DOOR REFRIGERATOR
■ CQE28DM5NS5



WINE CENTER
■ CCR06BM2PS5



30" SMART SLIDE-IN, FRONT-CONTROL INDUCTION AND CONVECTION RANGE WITH IN-OVEN CAMERA
■ CHS90XM2NS5



2.1 CU. FT. SMART OVER-THE-RANGE MICROWAVE OVEN
■ CVM721M2NS5



STAINLESS INTERIOR SMART DISHWASHER WITH DUAL-CONVECTION ULTRA DRY
■ CDT875M5NS5

BUILT-IN

Refined

Upgraded offerings with enhanced capabilities. Expect total convenience and inspired cooking experiences.



ENERGY STAR® 27.6 CU. FT. SMART FOUR-DOOR, FRENCH-DOOR REFRIGERATOR*
 CVE28DM5NS5



BEVERAGE CENTER
 CCR06BM2PS5



30" SMART DOUBLE WALL OVEN WITH CONVECTION
 CTD70DM2NS5



30" SMART SINGLE WALL OVEN WITH CONVECTION
 CTS70DM2NS5

27" SMART DOUBLE WALL OVEN WITH CONVECTION**
 CKD70DM2NS5

27" SMART SINGLE WALL OVEN WITH CONVECTION**
 CKS70DM2NS5



30" SMART FIVE-IN-ONE OVEN WITH 240V ADVANTIUM® TECHNOLOGY
 CSB923M2NS5



30" SMART FIVE-IN-ONE OVEN WITH 120V ADVANTIUM TECHNOLOGY
 CSB913M2NS5

27" SMART FIVE-IN-ONE OVEN WITH 120V ADVANTIUM TECHNOLOGY
 CSB912M2NS5



36" SMART TOUCH-CONTROL INDUCTION COOKTOP
 CHP95362MSS

30" SMART TOUCH-CONTROL INDUCTION COOKTOP
 CHP95302MSS



36" KNOB-CONTROL ELECTRIC COOKTOP
 CEP70362MS1

30" KNOB-CONTROL ELECTRIC COOKTOP
 CEP70302MS1



36" GAS COOKTOP
 CGP70362NS1

30" GAS COOKTOP
 CGP70302NS1



36" SMART DESIGNER CUSTOM INSERT WITH DIMMABLE LED LIGHTING
 UVC9360SLSS

30" SMART DESIGNER CUSTOM INSERT WITH DIMMABLE LED LIGHTING
 UVC9300SLSS



36" SMART DESIGNER WALL-MOUNT HOOD WITH PERIMETER VENTING
 UVW9361SLSS
 UVW9361BLTS (Black Stainless)

30" SMART DESIGNER WALL-MOUNT HOOD WITH PERIMETER VENTING
 UVW9301SLSS
 UVW9301BLTS (Black Stainless)



1.5 CU. FT. SMART COUNTERTOP CONVECTION/MICROWAVE OVEN
 CEB515M2NS5
 Optional 27" Built-in kit CX152M2NS5
 Optional 30" Built-in kit CX153M2NS5



STAINLESS INTERIOR DISHWASHER WITH ULTRA DRY
 CDT845M5NS5

*Standard Depth
 **Not all features available on all models.

BUILT-IN

Optimal

Premium selections with best-in-class features. Wow guests with cutting-edge technology and superior aesthetics.



ENERGY STAR® 27.6 CU. FT. SMART QUAD-DOOR, FRENCH-DOOR REFRIGERATOR
 CQE28DM5NS5



WINE CENTER
 CCR06DM2PS5



30" SMART DOUBLE WALL OVEN WITH CONVECTION
 CTD90DM2NS5



30" SMART FIVE-IN-ONE OVEN WITH 240V ADVANTIUM® TECHNOLOGY
 CSB923M2NS5

27" SMART DOUBLE WALL OVEN WITH CONVECTION*
 CKD70DM2NS5



36" SMART TOUCH-CONTROL INDUCTION COOKTOP
 CHP95362MSS



36" GAS COOKTOP
 CGP95362MS1



36" SMART DESIGNER CUSTOM INSERT WITH DIMMABLE LED LIGHTING
 UVC9360SLSS



36" SMART DESIGNER WALL-MOUNT HOOD WITH PERIMETER VENTING
 UVW9361SLSS
 UVW9361BLTS (Black Stainless)

30" SMART TOUCH-CONTROL INDUCTION COOKTOP
 CHP95302MSS

30" GAS COOKTOP
 CGP95302MS1

30" SMART DESIGNER CUSTOM INSERT WITH DIMMABLE LED LIGHTING
 UVC9300SLSS

30" SMART DESIGNER WALL-MOUNT HOOD WITH PERIMETER VENTING
 UVW9301SLSS
 UVW9301BLTS (Black Stainless)



1.5 CU. FT. SMART COUNTERTOP CONVECTION/MICROWAVE OVEN
 CEB515M2NS5
 Optional 27" Built-in kit CX152M2NS5
 Optional 30" Built-in kit CX153M2NS5



STAINLESS INTERIOR SMART DISHWASHER WITH DUAL-CONVECTION ULTRA DRY
 CDT875M5NS5

*Not all features available on all models.

FREE-STANDING

Primary

Stunning pairings, trusted features.
Enjoy unlimited performance
for everyday cooking.



ENERGY STAR® 27.8 CU. FT. SMART FRENCH-DOOR REFRIGERATOR WITH HOT WATER

- CFE28TP2MS1
- CFE28TP3MD1
- CFE28TP4MW2



30" SMART SLIDE-IN, FRONT-CONTROL RADIANT AND CONVECTION DOUBLE-OVEN RANGE

- CES750P2MS1
- CES750P3MD1
- CES750P4MW2



30" SMART SLIDE-IN, FRONT-CONTROL RADIANT AND CONVECTION RANGE WITH WARMING DRAWER

- CES700P2MS1
- CES700P3MD1
- CES700P4MW2



30" SMART SLIDE-IN, FRONT-CONTROL, GAS RANGE WITH CONVECTION OVEN AND STORAGE DRAWER

- CGS700P2MS1
- CGS700P3MD1
- CGS700P4MW2



30" SMART SLIDE-IN, FRONT-CONTROL, GAS DOUBLE-OVEN RANGE WITH CONVECTION

- CGS750P2MS1
- CGS750P3MD1
- CGS750P4MW2



2.1 CU. FT OVER-THE-RANGE MICROWAVE OVEN

- CVM521P2MS1



STAINLESS INTERIOR DISHWASHER WITH ULTRA DRY

- CDT805P2NS1

FREE-STANDING

Refined

Upgraded offerings with enhanced capabilities. Expect total convenience and inspired cooking experiences.



ENERGY STAR® 22.1 CU. FT. SMART COUNTER-DEPTH FRENCH-DOOR REFRIGERATOR WITH HOT WATER DISPENSER

- CYE22TP2MS1
- CYE22TP3MD1
- CYE22TP4MW2



ENERGY STAR 22.2 CU. FT. SMART COUNTER-DEPTH, FRENCH-DOOR REFRIGERATOR WITH KEURIG® K-CUP® BREWING SYSTEM

- CYE22UP2MS1



BEVERAGE CENTER

- CCP06BP2PS1
- CCP06BP3PD1
- CCP06BP4PW2



5.7 CU. FT. BUILT-IN, DUAL-DRAWER REFRIGERATOR

- CDE06RP2NS1
- CDE06RP3ND1
- CDE06RP4NW2



30" SMART SLIDE-IN, FRONT-CONTROL INDUCTION AND CONVECTION DOUBLE-OVEN RANGE

- CHS950P2MS1
- CHS950P3MD1
- CHS950P4MW2



30" SMART SLIDE-IN, FRONT-CONTROL INDUCTION AND CONVECTION RANGE WITH WARMING DRAWER

- CHS900P2MS1
- CHS900P3MD1
- CHS900P4MW2



30" SMART SLIDE-IN, FRONT-CONTROL, GAS DOUBLE-OVEN RANGE WITH CONVECTION

- C2S950P2MS1
- C2S950P3MD1
- C2S950P4MW2



30" SMART SLIDE-IN, FRONT-CONTROL, DUAL-FUEL RANGE WITH WARMING DRAWER

- C2S900P2MS1



1.7 CU. FT. CONVECTION OVER-THE-RANGE MICROWAVE OVEN

- CVM517P2MS1
- CVM517P3MD1
- CVM517P4MW2



STAINLESS INTERIOR DISHWASHER WITH 90+ CLEANING JETS

- CDT845P2NS1
- CDT845P3ND1
- CDT845P4NW2

FREE-STANDING

Optimal

Premium selections with best-in-class features. Wow guests with cutting-edge technology and superior aesthetics.



27.8 CU. FT. SMART FRENCH-DOOR REFRIGERATOR WITH KEURIG® K-CUP® BREWING SYSTEM

■ CFE28UP2MS1



27.6 CU. FT. SMART FOUR-DOOR, FRENCH-DOOR REFRIGERATOR

■ CVE28DP2MS1
■ CVE28DP3MD1
□ CVE28DP4MW2



ENERGY STAR® 23.1 CU. FT. SMART COUNTER-DEPTH, FRENCH-DOOR REFRIGERATOR

■ CWE23SP2MS1
■ CWE23SP3MD1
□ CWE23SP4MW2



ENERGY STAR 22.2 CU. FT. SMART COUNTER-DEPTH, FRENCH-DOOR REFRIGERATOR WITH KEURIG® K-CUP® BREWING SYSTEM

■ CYE22UP2MS1



WINE CENTER

■ CCP06DP2PS1
■ CCP06DP3PD1
□ CCP06DP4PW2



5.7 CU. FT. BUILT-IN, DUAL-DRAWER REFRIGERATOR

■ CDE06RP2NS1
■ CDE06RP3ND1
□ CDE06RP4NW2



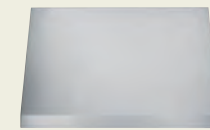
STAINLESS DOOR PANEL KIT FOR 15" ICE MAKERS*

■ CIP75S1
■ CIP75D1
□ CIP75W2



48" PROFESSIONAL HOOD

■ UVW9484SPS1



36" COMMERCIAL HOOD

■ UVW93642PSS
■ CVW93643PDS
□ CVW93644PWW

30" COMMERCIAL HOOD

■ UVW93042PSS
■ CVW93043PDS
□ CVW93044PWW



48" SMART DUAL-FUEL COMMERCIAL-STYLE RANGE WITH 6 BURNERS AND GRIDDLE

■ C2Y486P2TS1
■ C2Y486P3TD1
□ C2Y486P4TW2



36" SMART DUAL-FUEL COMMERCIAL-STYLE RANGE WITH 6 BURNERS

■ C2Y366P2TS1
■ C2Y366P3TD1
□ C2Y366P4TW2



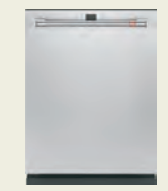
30" SMART SLIDE-IN, FRONT-CONTROL INDUCTION AND CONVECTION RANGE WITH IN-OVEN CAMERA

■ CHS90XP2MS1



1.5 CU. FT. SMART COUNTERTOP CONVECTION/MICROWAVE OVEN**

■ CEB515P2NSS
■ CEB515P3NDS
□ CEB515P4NWM



STAINLESS INTERIOR SMART DISHWASHER WITH DUAL-CONVECTION ULTRA DRY

■ CDT875P2NS1
■ CDT875P3ND1
□ CDT875P4NW2

*Pairs with UNC15NJII or UCC15NJII
**Trim kit available

BUILT-IN
Primary

Stunning pairings, trusted features.
Enjoy unlimited performance
for everyday cooking.



23.1 CU. FT. SMART COUNTER-DEPTH, FRENCH-DOOR REFRIGERATOR
 CWE23SP2NS1
 CWE23SP3MD1
 CWE23SP4MW2



BEVERAGE CENTER
 CCP06BP2PS1
 CCP06BP3PD1
 CCP06BP4PW2



30" SMART DOUBLE WALL OVEN WITH CONVECTION
 CTD70DP2NS1
27" SMART DOUBLE WALL OVEN WITH CONVECTION*
 CKD70DP2NS1



30" SMART SINGLE WALL OVEN WITH CONVECTION
 CTS70DP2NS1
27" SMART SINGLE WALL OVEN WITH CONVECTION*
 CKS70DP2NS1



36" SMART TOUCH-CONTROL INDUCTION COOKTOP
 CHP95362MSS

30" SMART TOUCH-CONTROL INDUCTION COOKTOP
 CHP95302MSS



36" KNOB-CONTROL ELECTRIC COOKTOP
 CEP70362MS1

30" KNOB-CONTROL ELECTRIC COOKTOP
 CEP70302MS1



36" KNOB-CONTROL ELECTRIC COOKTOP
 CEP70363MS2

30" KNOB-CONTROL ELECTRIC COOKTOP
 CEP70303MS2



36" GAS COOKTOP
 CGP70362NS1

30" GAS COOKTOP
 CGP70302NS1



36" COMMERCIAL HOOD
 UVW93642PSS
 CVW93643PDS
 CVW93644PWM

30" COMMERCIAL HOOD
 UVW93042PSS
 CVW93043PDS
 CVW93044PWM



36" WALL-MOUNT GLASS CANOPY CHIMNEY HOOD
 CVW73612MSS
 CVW73613MDS
 CVW73614MWM

30" WALL-MOUNT GLASS CANOPY CHIMNEY HOOD
 CVW73012MSS
 CVW73013MDS
 CVW73014MWM



1.5 CU. FT. SMART COUNTERTOP CONVECTION/ MICROWAVE OVEN**
 CEB515P2RSS
 CEB515P3RDS
 CEB515P4RWM



STAINLESS INTERIOR DISHWASHER WITH ULTRA DRY
 CDT805P2NS1

*Not all features available on all models.
**Trim kit available.

BUILT-IN

Refined

Upgraded offerings with enhanced capabilities. Expect total convenience and inspired cooking experiences.



27.6 CU. FT. SMART FOUR-DOOR, FRENCH-DOOR REFRIGERATOR

- CVE28DP2NS1
- CVE28DP3ND1
- CVE28DP4NW2



22.2 CU. FT. SMART COUNTER-DEPTH, FRENCH-DOOR REFRIGERATOR WITH KEURIG® BREWING SYSTEM

- CYE22UP2MS1



22.2 CU. FT. SMART COUNTER-DEPTH, FRENCH-DOOR REFRIGERATOR WITH HOT WATER DISPENSER

- CYE22TP2MS1
- CYE22TP3MD1
- CYE22TP4MW2



BEVERAGE CENTER

- CCP06BP2PS1
- CCP06BP3PD1
- CCP06BP4PW2



5.7 CU. FT. BUILT-IN, DUAL-DRAWER REFRIGERATOR

- CDE06RP2NS1
- CDE06RP3ND1
- CDE06RP4NW2



30" SMART FRENCH-DOOR, DOUBLE WALL OVEN WITH CONVECTION

- CTD90FP2NS1
- CTD90FP3ND1
- CTD90FP4NW2



30" SMART DOUBLE WALL OVEN WITH CONVECTION

- CTD90DP2NS1
- CTD90DP3ND1
- CTD90DP4NW2



30" SMART FRENCH-DOOR, SINGLE WALL OVEN WITH CONVECTION

- CTS90FP2NS1
- CTS90FP3ND1
- CTS90FP4NW2



30" SMART SINGLE WALL OVEN WITH CONVECTION

- CTS90DP2NS1
- CTS90DP3ND1
- CTS90DP4NW2



30" SMART FIVE-IN-ONE OVEN WITH 120V ADVANTIUM® TECHNOLOGY

- CSB913P2NS1
- CSB913P3ND1
- CSB913P4NW2



30" BUILT-IN MICROWAVE/ CONVECTION OVEN

- CWB713P2NS1



36" SMART TOUCH-CONTROL INDUCTION COOKTOP

- CHP95362MSS

30" SMART TOUCH-CONTROL INDUCTION COOKTOP

- CHP95302MSS



27" SMART FIVE-IN-ONE OVEN WITH 120V ADVANTIUM TECHNOLOGY

- CSB912P2NS1



36" TOUCH-CONTROL ELECTRIC COOKTOP

- CEP90362NSS

30" TOUCH-CONTROL ELECTRIC COOKTOP

- CEP90302NSS



36" GAS COOKTOP

- CGP95362MS1

30" GAS COOKTOP

- CGP95302MS1



36" GAS COOKTOP

- CGP95363MS2

30" GAS COOKTOP

- CGP95303MS2



36" COMMERCIAL HOOD

- UVW93642PSS
- CVW93643PDS
- CVW93644PWW

30" COMMERCIAL HOOD

- UVW93042PSS
- CVW93043PDS
- CVW93044PWW



STAINLESS INTERIOR DISHWASHER WITH 90+ CLEANING JETS

- CDT845P2NS1
- CDT845P3ND1
- CDT845P4NW2

*Not all features available on all models.

BUILT-IN

Optimal

Premium selections with best-in-class features. Wow guests with cutting-edge technology and superior aesthetics.



42" SMART BUILT-IN, SIDE-BY-SIDE REFRIGERATOR
 CSB42WP2NS1

48" SMART BUILT-IN, SIDE-BY-SIDE REFRIGERATOR
 CSB48WP2NS1



42" SMART BUILT-IN, SIDE-BY-SIDE REFRIGERATOR*
 CSB42YP2NS1

48" SMART BUILT-IN, SIDE-BY-SIDE REFRIGERATOR
 CSB48YP2NS1



21.3 CU. FT. SMART BUILT-IN, BOTTOM-FREEZER REFRIGERATOR
 CDB36RP2PS1 (Right-handed)
 CDB36LP2PS1 (Left-handed)



WINE CENTER
 CCP06DP2PS1
 CCP06DP3PD1
 CCP06DP4PW2



5.7 CU. FT. BUILT-IN, DUAL-DRAWER REFRIGERATOR
 CDE06RP2NS1
 CDE06RP3ND1
 CDE06RP4NW2



STAINLESS DOOR PANEL KIT FOR 15" ICE MAKERS**
 CIP75S1
 CIP75D1
 CIP75W2



30" SMART FRENCH-DOOR, DOUBLE WALL OVEN WITH CONVECTION
 CTD90FP2NS1
 CTD90FP3ND1
 CTD90FP4NW2



30" SMART DOUBLE WALL OVEN WITH CONVECTION
 CTD90DP2NS1
 CTD90DP3ND1
 CTD90DP4NW2



30" SMART FRENCH-DOOR, SINGLE WALL OVEN WITH CONVECTION
 CTS90FP2NS1
 CTS90FP3ND1
 CTS90FP4NW2



30" SMART SINGLE WALL OVEN WITH CONVECTION
 CTS90DP2NS1
 CTS90DP3ND1
 CTS90DP4NW2



30" SMART FIVE-IN-ONE OVEN WITH 240V ADVANTIUM® TECHNOLOGY
 CSB923P2NS1
 CSB923P3ND1
 CSB923P4NW2



30" BUILT-IN MICROWAVE/ CONVECTION OVEN
 CWB713P2NS1



36" SMART TOUCH-CONTROL INDUCTION COOKTOP
 CHP95362MSS

30" SMART TOUCH-CONTROL INDUCTION COOKTOP
 CHP95302MSS



48" COMMERCIAL-STYLE GAS RANGETOP WITH 6 BURNERS AND GRIDDLE
 CGU486P2TS1
 CGU486P3TD1
 CGU486P4TW2



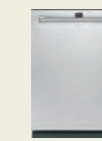
36" COMMERCIAL-STYLE GAS RANGETOP WITH 6 BURNERS
 CGU366P2TS1
 CGU366P3TD1
 CGU366P4TW2



48" PROFESSIONAL HOOD
 UVW9484SPSS



36" COMMERCIAL HOOD
 UVW93642PSS
 CVW93643PDS
 CVW93644PWW



STAINLESS INTERIOR SMART DISHWASHER WITH DUAL CONVECTION ULTRA DRY
 CDT875P2NS1
 CDT875P4NW2
 CDT875P3ND1

30" COMMERCIAL HOOD
 UVW93042PSS
 CVW93043PDS
 CVW93044PWW

*Not customizable
 **Pairs with UNC15NJ11 or UCC15NJ11
 ***Not all features available on all models.

Limited Warranty Information

(See written warranty for complete details)

The condensed list below is a convenient overview of the written warranties offered on various Café™ appliances described in this catalog for products manufactured on or after January 1, 2006. For complete warranty details on a specific Café Appliances model, contact your nearest Café Appliances supplier, or call Café Appliances Factory Service, toll-free, 800.GE.CARES (800-432-2737).

Refrigerators, Wine and Beverage Centers, 50 lb. / Refrigerator Ice Makers

ALL CAFÉ MODELS

For the period of	Café Appliances will replace
One year From the date of the original purchase	Any part in the refrigerator which fails due to a defect in materials or workmanship. During this limited one-year warranty , Café Appliances will provide, free of charge , all labor and related service costs to replace the defective part.
Five years From the date of the original purchase	Any part of the sealed refrigerating system (the compressor, condenser, evaporator and all connecting tubing) which fails due to a defect in materials or workmanship. During this limited five-year sealed refrigerating system warranty , Café Appliances will also provide, free of charge , all labor and related service costs to replace the defective part.

Ice Makers

FOR REFRIGERATORS

For the period of	Café Appliances will replace
One year From the date of the original purchase	Any part in the ice maker which fails due to a defect in materials or workmanship. During this limited one-year warranty , Café Appliances will provide, free of charge , all labor and related service costs to replace the defective part.

Ranges, Cooktops, Wall Ovens, Warming Drawers and Hoods

ALL CAFÉ MODELS

For the period of	Café Appliances will replace
One year From the date of the original purchase	Any part in the cooking product which fails due to a defect in materials or workmanship. During this limited one-year warranty Café Appliances will provide, free of charge , all labor and related service costs to replace the defective part.

Speedcook Ovens with Advantium® Technology

ALL CAFÉ MODELS

For the period of	Café Appliances will choose to replace or service
One year From the date of the original purchase	Any part of the oven which fails due to a defect in materials or workmanship. During this limited one-year warranty , Café Appliances will provide, free of charge , all labor and related service costs to replace the defective part.
Five years From the date of the original purchase	The magnetron tube , if the magnetron tube fails due to a defect in the materials or workmanship. During this five-year limited warranty , you will be responsible for any labor or in-home service costs.

EXCLUSION OF IMPLIED WARRANTIES - Your sole and exclusive remedy is product repair as provided in this Limited Warranty. Any implied warranties, including the implied warranties of merchantability or fitness for a particular purpose, are limited to one year or the shortest period allowed by law.

Over-The-Range and Countertop Microwave Ovens

ALL CAFÉ MODELS

For the period of	Café Appliances will choose to replace or service
One year From the date of the original purchase	Any part in the microwave which fails due to a defect in materials or workmanship. During this limited one-year warranty , Café Appliances will also provide, free of charge , all labor and in-home service costs to replace the defective part.
Five years From the date of the original purchase	The magnetron tube , if the magnetron tube fails due to a defect in the materials or workmanship. During this five-year limited warranty , you will be responsible for any labor or in-home service costs.

Dishwashers

ALL CAFÉ MODELS

For the period of	Café Appliances will replace
One year From the date of the original purchase	Any part in the dishwasher which fails due to a defect in materials or workmanship. During this limited one-year warranty , Café Appliances will provide, free of charge , all labor and related service costs to replace the defective part.

Parts and Accessories

For the period of	Café Appliances will replace
One year From the date of the original purchase	Any part or accessory which fails due to a defect in materials or workmanship. During this limited one-year warranty , Café Appliances will provide, free of charge , all labor and related service costs to replace the defective part or accessory.

For each product listed

What Café Appliances will not cover:

- Service trips to your home to teach you how to use the product
- Improper installation
- Replacement of house fuses or resetting of circuit breakers
- Failure of the product if it is abused, misused or used for anything other than the intended purpose or used commercially
- Damage to product caused by accident, fire, floods or acts of God
- Incidental or consequential damage caused by possible defects with this appliance

This warranty is extended to the original purchaser and any succeeding owner for products purchased for home use within the USA. In Alaska, the One-Year Warranty excludes the cost of shipping, or service calls to your home. Some states do not allow the exclusion or limitation of incidental or consequential damages. This warranty gives you specific legal rights, and you may also have other rights which vary from state to state. To know what your legal rights are, consult your local or state consumer affairs office or your state's Attorney General.

Accessibility Requirements

Refrigerators/Freezers

Uniform Federal Accessibility Standards (UFAS)

FRENCH-DOOR AND SIDE-BY-SIDES

Regulation #/ Description:

4.2.6 Side Reach—If the clear floor space allows parallel approach by a person in a wheelchair, the maximum high side reach allowed shall be 54" (1370mm) and the low side reach shall be no less than 9" (230mm) above the floor.

4.27.4 Operation—Controls and operating mechanisms shall be operable with one hand and shall not require tight grasping, pinching, or twisting of the wrist. The force required to activate controls shall be no greater than 5lbf (22.2 N).

4.34.6.8 Refrigerators/Freezers—Refrigerators/freezers shall comply with 4.34.6.3. Provision shall be made for refrigerators which are: (1) Of the vertical side-by-side refrigerator/freezer type; OR (2) Of the over-and-under type and meet the following requirements: (a) Have at least 50 percent of the freezer space below 54" (1370mm) above the floor (b) Have 100 percent of the refrigerator space and controls below 54" (1370mm).

Americans with Disabilities Act (ADA)/ANSI Standard Requirements

TOP-FREEZERS AND FRENCH-DOOR BOTTOM-FREEZERS WITH EXTERNAL DISPENSER CONTROLS

Regulation #/ Description:

804.6.6 Refrigerators/Freezers—Combination refrigerators and freezers shall have at least 50 percent of the freezer space 54" (1370 mm) maximum above the finish floor or ground. The clear floor or ground space shall be positioned for a parallel approach to the space dedicated to a refrigerator/freezer with the centerline of the clear floor or ground space offset 24" (610 mm) maximum from the centerline of the dedicated space.

308.3.1 Unobstructed—Where a clear floor or ground space allows a parallel approach to an element and the side reach is unobstructed, the high side reach shall be 48" (1220 mm) maximum and the low side reach shall be 15" (380 mm) minimum above the finish floor or ground.

308.3.2 Obstructed High Reach—Where a clear floor or ground space allows a parallel approach to an element and the high side reach is over an obstruction, the height of the obstruction shall be 34" (865 mm) maximum and the depth of the obstruction shall be 24" (610 mm) maximum. The high side reach shall be 48" (1220 mm) maximum for a reach depth of 10" (255 mm) maximum. Where the reach depth exceeds 10" (255 mm), the high side reach shall be 46" (1170 mm) maximum for a reach depth of 24" (610 mm) maximum.

309.3 Height—Operable parts shall be placed within one or more of the reach ranges specified in 308.3.

309.4 Operation—Operable parts shall be operable with one hand and shall not require tight grasping, pinching, or twisting of the wrist. The force required to activate operable parts shall be 5 pounds (22.2 N) maximum.

The following appliance categories meet criteria for both the Uniform Federal Accessibility Standards (UFAS) and the Americans with Disabilities Act (ADA) requirements.

Wall Ovens

SINGLE SELF-CLEAN OVENS

Regulation #/ Description:

4.2.5—Maximum high forward reach for controls and operating mechanisms is 48", minimum low forward reach is 15".

4.27.4—Controls and operating mechanisms must be operable with one hand and shall not require tight grasping, pinching, or twisting of the wrist. The force required to activate controls shall be no more than 5lbf.

4.34.6.7—Ovens shall have controls on front panels; they may be located on either side of the door.

Slide-in Ranges

ELECTRIC AND GAS

Regulation #/ Description:

4.2.5—Maximum high forward reach for controls and operating mechanisms is 48", minimum low forward reach is 15".

4.27.4—Controls and operating mechanisms must be operable with one hand and shall not require tight grasping, pinching, or twisting of the wrist. The force required to activate controls shall be no more than 5lbf.

4.34.6.6—If ovens or cooktops have knee spaces underneath then they shall be insulated or otherwise protected on the exposed surfaces to prevent burns, abrasions, or electrical shock. The location of controls for ranges and cooktops shall not require reaching across burners.

Electric Cooktops

FRONT CONTROL

Regulation #/ Description:

4.2.5—Maximum high forward reach for controls and operating mechanisms is 48", minimum low forward reach is 15".

4.27.4—Controls and operating mechanisms must be operable with one hand and shall not require tight grasping, pinching, or twisting of the wrist. The force required to activate controls shall be no more than 5lbf.

4.34.6.6—If ovens or cooktops have knee spaces underneath then they shall be insulated or otherwise protected on the exposed surfaces to prevent burns, abrasions, or electrical shock. The location of controls for ranges and cooktops shall not require reaching across burners.

Gas Cooktops

Regulation #/ Description:

4.2.5—Maximum high forward reach for controls and operating mechanisms is 48", minimum low forward reach is 15".

4.27.4—Controls and operating mechanisms must be operable with one hand and shall not require tight grasping, pinching, or twisting of the wrist. The force required to activate controls shall be no more than 5lbf.

4.34.6.6—If ovens or cooktops have knee spaces underneath then they shall be insulated or otherwise protected on the exposed surfaces to prevent burns, abrasions, or electrical shock. The location of controls for ranges and cooktops shall not require reaching across burners.

Microwave Ovens

BUILT-IN CONFIGURATION

Regulation #/ Description:

4.2.5—Maximum high forward reach for controls and operating mechanisms is 48", minimum low forward reach is 15".

4.27.4—Controls and operating mechanisms must be operable with one hand and shall not require tight grasping, pinching, or twisting of the wrist. The force required to activate controls shall be no more than 5lbf.

Dishwashers

Regulation #/ Description:

4.2.5—Maximum high forward reach for controls and operating mechanisms is 48", minimum low forward reach is 15".

4.27.4—Controls and operating mechanisms must be operable with one hand and shall not require tight grasping, pinching, or twisting of the wrist. The force required to activate controls shall be no more than 5lbf.

4.34.6.9—All rack space shall be accessible from the front of the machine for loading and unloading dishes.

REFRIGERATION

Refrigerators

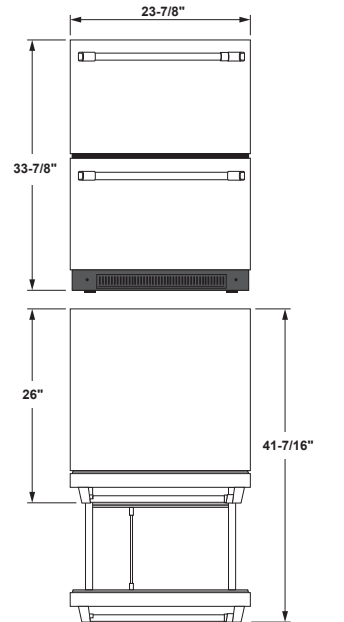
	CZS22MP2NS1	CWE19SP2NS1 CWE19SP3ND1 CWE19SP4NW2	CWE23SP2MS1 CWE23SP3MD1 CWE23SP4MW2	CFE28TP2MS1 CFE28TP3MD1 CFE28TP4MW2	CYE22TP2MS1 CYE22TP3MD1 CYE22TP4MW2	CFE28UP2MS1 CFE28UP3MD1	CYE22UP2MS1 CYE22UP3MD1		CVE28DM5NS5 CVE28DP2NS1 CVE28DP3ND1 CVE28DP4NW2	CQE28DM5NS5	CDB36RP2PS1 CDB36LP2PS1	CSB48WP2NS1 CSB42WP2NS1	CSB42YP2NS1 CSB48YP2NS1	
ENERGY STAR® certified		•	•	•	•	•	•		•	•				
WiFi Connect		Optional (requires part no. PBX23W00Y0)	Built-in WiFi	Built-in WiFi	Built-in WiFi	Built-in WiFi	Built-in WiFi			Built-in WiFi	U+ Connect Module (optional)	Built-in WiFi	Built-in WiFi	
Sabbath mode capable		•	•	•	•	•	•		•	•	•	•	•	
ADA compliant														
CAPACITY														
Total (cu. ft.)	21.9	18.6	23.1		22.2	27.8	22.2		27.6	27.6	21.3	29.5 / 25.1	24.5 / 28.7	
Fresh food (cu. ft.)	14.24	13.57	15.93		15.06	18.67	15.06		15.47	15.47	15	17.2 / 15.8	15.82 / 17.23	
Freezer (cu. ft.)	7.7	5.01	7.16		7.16	9.17	7.16		8.44	8.44	6.3	12.3 / 9.3	8.65 / 11.44	
FRESH-FOOD FEATURES														
TwinChill™ evaporators			•	•	•	•	•		•	•				
Triple evaporators									•	•				
External controls with temperature display and child lock					Color LCD		Color LCD		•	•			•	
Turbo Cool setting		•	•	•	•	•	•		via app	via app		via app	via app	
Cabinet shelves	4 glass	5 glass	5 glass	5 glass	5 glass	5 glass	5 glass		4 glass	4 glass	5 total	4 glass	4 glass	
Adjustable	3 adjustable	4 split	4 split	4 split	4 split	4 split	4 split		4 split	4 split	4 glass	3	3	
Full-width		1	1	1	1	1	1		1	1	•	4	4	
Spillproof	3		3	3	3	3	3				5	4 spillproof	4 spillproof	
Quick-Space shelf	1	1	1	1	1	1	1		1	1				
External dispenser	Ice & water			Ice & water		Ice & water	Ice & water		Ice & water	Ice & water			Ice & water with AutoFill	
Keurig® K-Cup® Brewing System									•	•				
Hot Water			•	•	•	•	•							
Precise Fill			•	•	•	•	•							
Internal water dispenser		•	•											
Advanced filtration system	XWFE	XWFE	RPWFE	RPWFE	RPWFE	XWFE	RPWFE		MWF	XWFE	MWF	MWF	XWFE	
Humidity-controlled drawers	1	2	2		2		2		1 humidity-control system drawer	1 humidity-control system drawer				
Interior snack/veggie drawer		1 full width, adj. temp.	1 full width, adj. temp.		1 full width, adj. temp.		1 full width, adj. temp.		1 vented drawer	1 vented drawer	2	3 (1 Select Temp)	3 (1 Select Temp)	
Fresh-food door bins	4 bins Clear Look (2 adjustable with gallon storage, 1 fixed, 1 adjustable)	8 bins (6 adjustable with gallon storage, 2 fixed)	6 bins (4 adjustable with gallon storage)	6 bins (2 adjustable with gallon storage)	6 bins (2 adjustable with gallon storage)	6 bins (4 stainless steel, 2 adjustable, 3 with gallon storage)	6 bins (2 adjustable, 3 with gallon storage)					6 bins (4 adjustable, 2 with gallon storage)	5 bins (adjustable, 1 with gallon storage)	5 bins (adjustable, 1 with gallon storage)
Drop-down tray		•	•	•	•	•	•							
Dairy compartment	•	•	•	•	•	•	•		•	•				
Showcase LED lighting	•	•	•		7	7	7					•	•	
Humidity-control system									•	•				
LED light wall									•	•				
FREEZER FEATURES														
Space-saving icemaker				•	•	•	•							
Factory-installed icemaker & bin	•	•	•						•	•	•	•	•	
Turbo Freeze setting				•	•	•	•		via app	via app		via app	via app	
Full-width, full-extension plastic freezer bins		1	2	2	2	2	2		3	3		4 adj. wire	4 adj. wire	
Showcase LED lighting	•	•	•	•	•	•	•							
EXTERIOR														
Color(s) available	Stainless	Stainless / Matte Black / Matte White	Stainless / Matte Black / Matte White	Stainless / Matte Black / Matte White	Stainless / Matte Black / Matte White	Stainless / Matte Black	Stainless / Matte Black		Platinum / Stainless / Matte Black / Matte White	Platinum	Stainless	Stainless	Stainless	
Handle color	Stainless	Brushed Stainless	Stainless	Stainless	Stainless	Stainless	Stainless				Stainless	Stainless	Stainless	
Handle design	Café™	Café	Café	Café	Café	Café	Café		Café Modern Glass	Café Modern Glass	Stainless	Café	Café	
Door design	Contoured crown; hidden hinges	Contoured crown; hidden hinges	Contoured crown; hidden hinges	Flat with hidden hinges	Flat with hidden hinges	Contoured crown; hidden hinges	Flat with hidden hinges		Flat with hidden hinges	Flat with hidden hinges	Hinges on right/ hinges on left	Flat with hidden hinges	Flat with hidden hinges	
Textured steel case color	Case Only—Dark Gray	Case Only—Dark Gray				Case Only—Dark Gray								
Door color	Stainless	Stainless / Matte Black / Matte White	Stainless / Matte Black / Matte White	Stainless / Matte Black / Matte White	Stainless / Matte Black / Matte White	Stainless / Matte Black	Stainless / Matte Black		Platinum / Stainless / Matte Black / Matte White	Platinum	Stainless	Stainless	Stainless	
Door stops	•	•	•	•	•	•	•		•	•	•	•	•	
WEIGHTS & DIMENSIONS														
Height to top of door (in.)	69-7/8	69-7/8	69-7/8	69-7/8		69-3/4			69-7/8	69-7/8				
Height to top of hinge (in.)		69-3/4	69-7/8			68-5/8			69-3/4	69-3/4				
Height to top of case (in.)	69	68-5/8	69	69	69	69	69		68-5/8	68-5/8	83-1/2	83-1/2	83-1/2	
Case depth without door (in.)	24-1/8	24-1/8	24-3/8	29-3/8		29-3/8			29	29	23-1/2	23-1/2	23-1/2	
Case depth less door handle (in.)		29	28-3/4			33-3/8					25-3/4	25-3/4	25-3/4	
Case depth with door handle (in.)		38-1/2		36-1/4		36-7/16					28-1/2	28-1/2	28-1/2	
Depth w/fresh-food door open 90° (in.)	46-1/4	42	43-3/8		43-3/8				48-3/8	48-3/8	60-1/4	55-1/4 / 49-1/4	50-1/2 / 52-1/2	
Width (in.)	35-3/4	32-3/4	32-3/4	35-3/4	35-3/4	35-3/4	35-3/4		35-5/8	35-5/8	36	48/42	42/48	
Width with door handle open 90° (in.)	43-1/8	42	44-3/4	44-3/4	44-3/4	44-3/4	44-3/4		44-7/8	44-7/8	39	52-1/2 / 50-1/2	49-1/4 / 55-1/4	
Air clearances—each side (in.)	1/8	1/8	1/8	1/8	1/8	1/8	1/8		1/8	1/8	0	0	0	
Air clearances—top (in.)	1	1	1	1	1	1	1		1	1	0	0	0	
Air clearances—back (in.)	2	2	2	2	2	2	2		2	2	0	0	0	
Approx. shipping wt. (lbs.)	360	252	363	423	398	423	398		440	440	640	775/725	725/775	
Power/Rating	120V/60Hz/15A	120V/60Hz/15A	120V/60Hz/15A	120V/60Hz/ 15A	120V/60Hz/15A	120V/60Hz/ 15A	120V/60Hz/15A		120V/60Hz/15A	120V/60Hz/15A	115V/60Hz/20A	115V/60Hz/20A	115V/60Hz/20A	
ACCESSORIES														
Optional kits*	CXMS2H2PNBT (Brushed Black) CXMS2H2PNBZ (Brushed Bronze) CXMA3HPNCU (Brushed Copper) CXMS2H2PNCU (Brushed Copper)	CXMA3H3PNBT (Brushed Black) CXMA3H3PNBZ (Brushed Bronze) CXMA3HPNCU (Brushed Copper) CXMA3HPNSS (Brushed Stainless)	CXLB3H3PMBT (Brushed Black) CXLB3H3PMBZ (Brushed Bronze) CXLB3H3PMCU (Brushed Copper) CXLB3H3PMSS (Brushed Stainless)	CXLB3H3PMBT (Brushed Black) CXLB3H3PMBZ (Brushed Bronze) CXLB3H3PMCU (Brushed Copper) CXLB3H3PMSS (Brushed Stainless)	CXLB3H3PMBT (Brushed Black) CXLB3H3PMBZ (Brushed Bronze) CXLB3H3PMCU (Brushed Copper) CXLB3H3PMSS (Brushed Stainless)	CXLB3H3PMBT (Brushed Black) CXLB3H3PMBZ (Brushed Bronze) CXLB3H3PMCU (Brushed Copper) CXLB3H3PMSS (Brushed Stainless)	CXLB3H3PMBT (Brushed Black) CXLB3H3PMBZ (Brushed Bronze) CXLB3H3PMCU (Brushed Copper) CXLB3H3PMSS (Brushed Stainless)	CXLB3H3PMBT (Brushed Black) CXLB3H3PMBZ (Brushed Bronze) CXLB3H3PMCU (Brushed Copper) CXLB3H3PMSS (Brushed Stainless)		CXQB4H4PNBT (Brushed Black) CXQB4H4PNBZ (Brushed Bronze) CXQB4H4PNCU (Brushed Copper)		CXSB2H2PPBT (Brushed Black) CXSB2H2PPBZ (Brushed Bronze) CXSB2H2PPCU (Brushed Copper)	CXSS2H2PMBT (Brushed Black) CXSS2H2PMBZ (Brushed Bronze) CXSS2H2PMCU (Brushed Copper)	CXSS2H2PMBT (Brushed Black) CXSS2H2PMBZ (Brushed Bronze) CXSS2H2PMCU (Brushed Copper)

*Not for use with Modern Glass models. (CVE28DM5NS5, CQE28DM5NS5)

Built-in Refrigerator Drawers

CDE06RP2NS1
CDE06RP3ND1
CDE06RP4NW2

Sabbath mode capable	•
CAPACITY	
Total (cu. ft.)	5.7
FRESH FOOD FEATURES	
Electronic controls with temperature display	•
Soft-close drawers	•
Drawer interior	Stainless
Drawer dividers	Upper Adjustable Lower Adjustable / removable
Door alarm	•
Showcase LED lighting	•
FREEZER FEATURES	
Interior lighting	White LED
EXTERIOR	
Color(s) available	Stainless Matte Black Matte White
Handle color	Brushed Stainless Brushed Stainless Brushed Bronze
Handle design	Café
WEIGHTS & DIMENSIONS	
Height to top of case (in.)	33-7/8
Width (in.)	23-7/8
Case depth less door handle (in.)	23-3/4
Case depth with door handle (in.)	26
Approximate shipping wt. (lbs.)	135
Power/Rating	115V/60Hz
ACCESSORIES	
Optional kits	CXQD2H2PNBT (Brushed Black) CXQD2H2PNBZ (Brushed Bronze) CXQD2H2PNCU (Brushed Copper) CXQD2H2PNSS (Brushed Stainless)



Above illustrations intended for dimensional reference only. Refer to photography for actual product appearance.

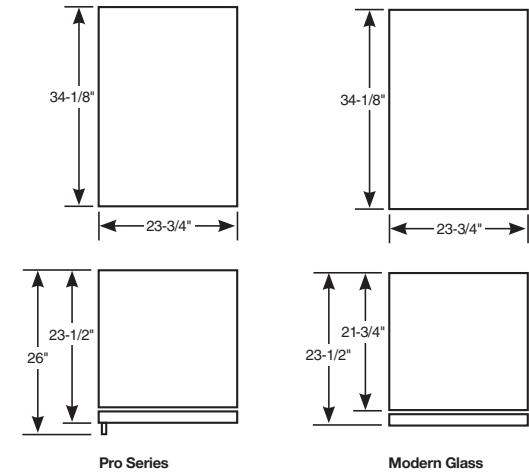
WINE AND BEVERAGE CENTERS

Wine and Beverage Centers

WINE
CCR06DM2PS5
CCP06DP2PS1
CCP06DP3PD1
CCP06DP4PW2

BEVERAGE
CCR06BM2PS5
CCP06BP2PS1
CCP06BP3PD1
CCP06BP4PW2

CAPACITY		
Total (cu. ft.)	4.7	5.1
Unit capacity	46 wine bottles	126 12 oz. cans/ 14 wine bottles
FEATURES		
Temperature controls	Electronic	Electronic
Glass door	•	•
Magnum bottle storage	Up to 8	Up to 4
WiFi Connect	Built-in WiFi	Built-in WiFi
Shelves	6 full-extension with Matte Black fronts and copper accents	5 total, 3 glass, (1 Quick Space)
Wine rack	6	2
Full-extension	6	2
Interior lighting	LED light wall	LED light wall
Lockout Mode	•	•
Door alarm	•	•
EXTERIOR		
Color(s) available	Platinum Glass, Stainless, Matte Black, Matte White	Platinum Glass, Stainless, Matte Black, Matte White
Door handle	Recessed/Café™	Recessed/Café™
Flush Installation	•	•
Built-in capability	•	•
Free-standing capability	•	•
Reversible door	•	•
WEIGHTS & DIMENSIONS		
Width (in.)	23-3/4	23-3/4
Height (in.)	34-1/8	34-1/8
Depth without handle (in.)	23-1/2	23-1/2
Depth with handle (in.)	26	26
Air clearances	Each side (in.)	0
	Back (in.)	0
	Top (in.)	0
Approx. shipping weight (lbs.)	160 / 165	120



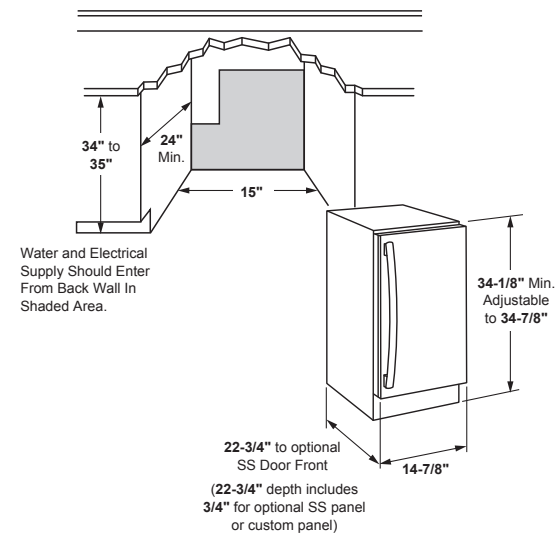
ICE MAKERS

Ice Makers

GOURMET ICE
UCC15NJII

NUGGET ICE
UNC15NJII

CAPACITY		
Daily ice production (lbs.)	48.0	56.0
Storage bin capacity (lbs.)	26.0	26.0
FEATURES		
Interior lighting	LED	LED
Clean light	Yes	Yes
Control type	Electronic LED	Electronic LED
Ice scoop	Yes	Yes
EXTERIOR		
Handle	Custom panel/handle or Café door panel kit required.	Custom panel/handle or Café door panel kit required.
Panel capability	3/4" custom panel or Accessory door kit	3/4" custom panel or Accessory door kit
	Café door panel kits available in Brushed Stainless, Matte Black and Matte White (each sold separately)	Café door panel kits available in Brushed Stainless, Matte Black and Matte White (each sold separately)
Color appearance	Reversible hinges	Reversible hinges
Door swing	Built-in or free-standing indoor or outdoor	Built-in or free-standing indoor or outdoor
Installation	Leveling system	4 leveling legs
WEIGHTS & DIMENSIONS		
Width (in.)	14-7/8	14-7/8
Height (in.)	33-7/8	33-7/8
Depth (in.)	22-3/4	22-3/4
Depth excluding panel (in.)	22	22
Net weight (lbs.)	107	112
Approx. shipping weight (lbs.)	115	124
Power/Ratings	110V/60Hz/6.5A	110V/60Hz/6.5A
ACCESSORIES		
Door panel kits	CIP75S1 (Stainless) CIP75D1 (Matte Black) CIP75W2 (Matte White)	CIP75S1 (Stainless) CIP75D1 (Matte Black) CIP75W2 (Matte White)
Optional drain pump kit	UPK3	UPK3



DISHWASHERS

Dishwashers

CDT875P2NS1
CDT875P4NW2
CDT875P3ND1
CDT875M5NS5

CDT845P2NS1
CDT845P4NW2
CDT845P3ND1
CDT845M5NS5

CDT805P2NS1
CDT805M5NS5

ENERGY STAR® certified	•	•	•
NSF® certified**	•	•	•
FEATURES			
Interior	Stainless steel	Stainless steel	Stainless steel
Interior	Stainless steel	Stainless steel	Stainless steel
Place settings	Up to 16	Up to 16	Up to 16
Front appearance	Top control	Top control	Top control
Cleaning jet wash system	90+ Spray Jet Wash System	90+ Spray Jet Wash System	90+ Spray Jet Wash System
Water filtration	100% filtration with removable filter	100% filtration with removable filter	100% filtration with removable filter
Hard-food disposer	•	•	•
Wash levels	Lower—reversing quad-blade; Middle—quad-blade; Upper—wash impeller	Lower—reversing quad-blade; Middle—quad-blade; Upper—wash impeller	Lower—reversing quad-blade; Middle—quad-blade; Upper—wash impeller
Bottle Jets	•	•	•
Jets	Deep Clean Silverware Jets & Variable pressure	Deep Clean Silverware Jets	
Automatic temperature control	•	•	•
Sensor	Clean Sensor	Clean Sensor	Clean Sensor
Rinse aid dispenser	With indicator and adjustment with sensor	With indicator and adjustment	With indicator and adjustment
Electronic controls	•	•	•
Exterior status LED	•	Bi-color	Bi-color
Exterior LCD status	Status Center		
WiFi Connect	Built-in	Optional (requires part no. PBX23W00Y0)	Optional (requires part no. PBX23W00Y0)
Touchpads	12	12	12
Cycles and options	5/10	5/10	5/10
3-digit countdown display	•	•	•
Last cycle memory	•	•	•
Audible end-of-cycle signal	•	•	•
Cycles	Auto/China/Express/Normal/Pots	Auto/China/Express/Normal/Pots	Auto/China/Express/Normal/Pots
OPTIONS			
Bottle Jets	4	4	4
Wash zones	•	•	•
Steam PreWash/PreSoak	PreSoak	PreSoak	PreSoak
Delay Start	1- to 12-hr.	1- to 12-hr.	1- to 12-hr.
Wash Temp-Boost	•	•	•
Wash Temp-Sanitize (NSF 184)	•	•	•
Heated dry	Dual Convection Ultra Dry	Ultra Dry	Ultra Dry
Lock controls	•	•	•
RACKS			
Third Rack	•	•	•
Rack finish	Black Pearl	Black Pearl	Black Pearl
Ball-tip tines	•	•	•
Upper rack	Premium height adjustable	Premium height adjustable	Premium height adjustable
Fold-down-tine flexibility	1/2 fold-down tines, upper; 1/2 fold-down tines, lower	1/2 fold-down tines, upper; 1/2 fold-down tines, lower	1/2 fold-down tines, upper; 1/2 fold-down tines, lower
Utility shelves	2 Stem Safe	2 Stem Safe	2 Stem Safe
Silverware basket	3-pc.	3-pc.	3-pc.
Handle design	Café/Café/Café/ Pocket handle	Café/Café/Café/ Pocket handle	Café/Pocket handle
DRY			
Hidden heater	•		
QUIET			
Sound insulation package**	39 dBA	45 dBA	45 dBA
INSTALLATION			
Flush cabinet	•	•	•
Built-up-floor capable	•	•	•
Side trim installation strips	•	•	•
FLOOR PROTECTION			
Floor protection package	Leak Defense with Active Flood Protect	Active Flood Protect	Active Flood Protect
WEIGHTS & DIMENSIONS			
Approx. shipping weight	137	137	118
Overall dimensions (WxHxD) (in.)	24 x 34 x 24	24 x 34 x 24	24 x 34 x 24
ACCESSORIES			
	CXADTHIPMBT (Brushed Black) CXADTHIPMBZ (Brushed Bronze) CXADTHIPMCU (Brushed Copper) CXADTHIPMSS (Brushed Stainless)	CXADTHIPMBT (Brushed Black) CXADTHIPMBZ (Brushed Bronze) CXADTHIPMCU (Brushed Copper) CXADTHIPMSS (Brushed Stainless)	CXADTHIPMBT (Brushed Black) CXADTHIPMBZ (Brushed Bronze) CXADTHIPMCU (Brushed Copper) CXADTHIPMSS (Brushed Stainless)

Optional kits'
*Certified to NSF/ANSI 184 standard for residential dishwashers (National Sanitation Foundation).
**dBA levels based on IEC-60704 lab testing.
'Not for use with Modern Glass models (CDT875M5NS5, CDT855M5NS5, CDT845M5NS5, CDT805M5NS5).

COOKING

Built-In Wall Ovens

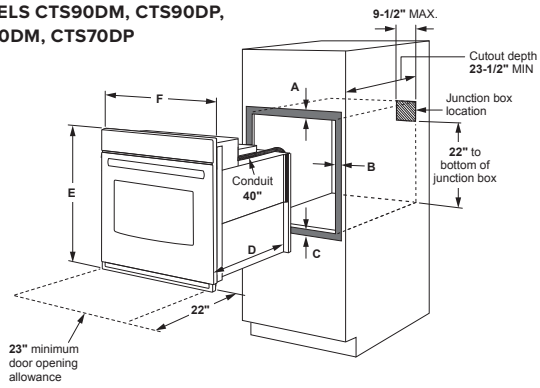
	CTS92DM2NS5	CTS90FP2NS1 CTS90FP4NW2 CTS90FP3ND1	CTS90DM2NS5	CTS90DP2NS1 CTS90DP4NW2 CTS90DP3ND1	CTS70DM2NS5 CTS70DP2NS1	CKS70DM2NS5 CKS70DP2NS1		CTD90FP2NS1 CTD90FP4NW2 CTD90FP3ND1	CTD90DM2NS5	CTD90DP2NS1 CTD90DP4NW2 CTD90DP3ND1	CTD70DM2NS5 CTD70DP2NS1	CKD70DM2NS5 CKD70DP2NS1
Claims & Certification	ADA Compliant; Star-K; California	ADA Compliant; Star-K; California Prop 65; UL	ADA Compliant; Star-K; California Prop 65; UL	ADA Compliant; Star-K; California Prop 65; UL	ADA Compliant; Star-K; California Prop 65; UL	ADA Compliant; Star-K; California Prop 65; UL		Star-K; California Prop 65; UL	Star-K; California Prop 65; UL	Star-K; California Prop 65; UL	Star-K; California Prop 65; UL	Star-K; California Prop 65; UL
CAPACITY												
Capacity (cu. ft.)	2.2 upper/2.8 lower	5.0	5.0	5.0	5.0	4.3		5.0 upper/5.0 lower	5.0 upper/5.0 lower	5.0 upper/5.0 lower	5.0 upper/5.0 lower	4.3 upper/4.3 lower
FEATURES												
Control Type	7" full-color touch LCD screen	7" full-color touch LCD screen	7" full-color touch LCD screen	7" full-color touch LCD screen	7" full-color touch LCD screen	7" full-color touch LCD screen		7" full-color touch LCD screen	7" full-color touch LCD screen	7" full-color touch LCD screen	7" full-color touch LCD screen	7" full-color touch LCD screen
Cooking system	True European Convection with Precise Air (Lower)	True European Convection with Direct Air	True European Convection with Direct Air	True European Convection with Direct Air	True European Convection with Direct Air	True European Convection		True European Convection with Direct Air (both ovens)	True European Convection with Direct Air (both ovens)	True European Convection with Direct Air (both ovens)	True European Convection with Direct Air (upper); True European Convection (lower)	True European Convection (upper)
Self-clean with Steam Clean option	•	•	•	•	•	•		•	•	•	•	•
Delay clean option	Variable	Variable	Variable	Variable	Variable	Variable		Variable	Variable	Variable	Variable	Variable
Automatic self-clean door lock	•	•	•	•	•	•		•	•	•	•	•
Voice control	•*	•*	•*	•*	•*	•*		•*	•*	•*	•*	•*
Scan-to-cook technology	•*	•*	•*	•*	•*	•*		•*	•*	•*	•*	•*
In-oven camera		•*	•*	•*	•*	•*		•*	•*	•*	•*	•*
Dehydrate		•*	•*	•*	•*	•*		•*	•*	•*	•*	•*
No-preheat air fry		•*	•*	•*	•*	•*		•*	•*	•*	•*	•*
Precision cooking	•	•*	•*	•*	•*	•		•*	•*	•*	•*	•
Convection bake	•	•	•*	•	•*	•		•	•*	•	•	•
Convection roast	•*	•*	•*	•*	•*	•*		•*	•*	•*	•*	•*
Convection broil		•*	•*	•*	•*	•*		•*	•*	•*	•*	•*
Ten-pass bake element		•	•	•	•	•		•	•	•	•	•
Eight-pass broil element	•	•	•*	•	•	•		•	•*	•	•	•
Hidden bake oven interior	•	•	•	•	•	•		•	•	•	•	•
WiFi Connect	•*	•*	•*	•*	•*	•*		•*	•*	•*	•*	•*
Auto Recipe Conversion	•	•	•	•	•	•		•	•	•	•	•
Proof mode	•	•	•*	•	•	•		Both ovens	Both ovens	Both ovens	Both ovens	Both ovens
Precision temperature probe	•	•	•	•	•	•		•	•	•	•	•
Warm mode	•	•	•	•	•	•		Both ovens	Both ovens	Both ovens	Both ovens	Both ovens
C° or F° programmable	•	•	•	•	•	•		•	•	•	•	•
Audible preheat signal	•	•	•	•	•	•		•	•	•	•	•
Electronic clock & kitchen timer	•	•	•	•	•	•		•	•	•	•	•
Control lock capability	•	•	•	•	•	•		•	•	•	•	•
Halogen interior oven lighting	•	•	•	•	•	•		•	•	•	•	•
Certified Sabbath Mode	•	•	•	•	•	•		•	•	•	•	•
Never-Scrub oven racks	3	•	•	•	•	•		•	•	•	•	•
Heavy-duty oven racks	2	2	2	2	2	1		1 upper/1 lower	1 upper/1 lower	1 upper/1 lower	1 upper/1 lower	1 upper/1 lower
Rack positions	5	6-ladder	6-ladder	6-ladder	6 embossed	6 embossed		6-ladder rack positions (both ovens)	6-ladder rack positions (both ovens)	6-ladder rack positions (both ovens)	6 embossed (both ovens)	6 embossed (both ovens)
Oven interior	2 halogen interior oven lights (both ovens) Black Gloss Finish Hidden Bake	3 halogen interior oven lights Black Gloss Finish Hidden Bake	2 halogen interior oven lights Black Gloss Finish Hidden Bake	2 halogen interior oven lights Black Gloss Finish Hidden Bake	2 halogen interior oven lights Black Gloss Finish Hidden Bake	2 halogen interior oven lights Black Gloss Finish Hidden Bake		3 halogen interior oven lights Black Gloss Finish Hidden Bake	3 halogen interior oven lights Black Gloss Finish Hidden Bake	3 halogen interior oven lights Black Gloss Finish Hidden Bake	2 halogen interior oven lights Black Gloss Finish Hidden Bake	2 halogen interior oven lights Black Gloss Finish Hidden Bake
APPEARANCE												
Color appearance	Platinum	Stainless Matte White Matte Black	Platinum	Stainless Matte White Matte Black	Platinum Stainless	Platinum Stainless		Stainless Matte White Matte Black	Platinum	Stainless Matte White Matte Black	Platinum Stainless	Platinum Stainless
Frameless oven door(s)		Stainless	Stainless	Stainless	Stainless	Stainless		Stainless		Stainless	Stainless	Stainless
Oven door with window	Big View	Dual window French-door	Big View Drop-down	Big View Drop-down	Big View Soft-close hinges	Big View Soft-close hinges		Dual window, French-door (upper)/Big view, drop-down (lower)	Big View Drop-down	Big View Drop-down	Big View Soft-close hinges	Big View Soft-close hinges
Handle color	Brushed Stainless	Brushed Stainless Brushed Bronze Brushed Stainless	No handle	Brushed Stainless Brushed Bronze Brushed Stainless	Brushed Stainless Brushed Stainless	Brushed Stainless Brushed Stainless		Brushed Stainless Brushed Bronze Brushed Stainless	No handle	Brushed Stainless Brushed Bronze Brushed Stainless	Brushed Stainless Brushed Stainless	Brushed Stainless Brushed Stainless
WEIGHTS & DIMENSIONS												
Approx. shipping wt. (lbs.)	212	208	177	177	177	135		398	308	308	278	245
Oven cabinet width required (in.)	30	30	30	30	30	27		30	30	30	30	27
Overall dimensions (WxHxD) (in.)	29-3/4 x 28-1/8 x 26-3/4	28-5/8 x 27-5/16 x 23-1/2	28-5/8 x 27-5/16 x 23-1/2	28-5/8 x 27-5/16 x 23-1/2	28-5/8 x 27-5/16 x 23-1/2	25-1/4 x 27-5/8 x 23-1/2		28-5/8 x 51-15/16 x 23-1/2 (both ovens)	28-5/8 x 51-15/16 x 23-1/2 (both ovens)	28-5/8 x 51-15/16 x 23-1/2 (both ovens)	28-1/2 x 51-13/16 x 23-1/2 (both ovens)	25-1/4 x 50-1/8 x 23-1/2 (both ovens)
Overall oven interior dimensions (WxHxD) (in.)	Upper: 24 x 8-3/4 x 17-7/8 Lower: 24 x 12-1/2 x 16	25 x 17-3/8 x 20-1/4	25 x 17-3/8 x 20-1/4	25 x 17-3/8 x 20-1/4	25 x 17-3/8 x 20-1/4	21-1/2 x 17-1/4 x 20		25 x 17-3/8 x 20-1/4 (both ovens)	25 x 17-3/8 x 20-1/4 (both ovens)	25 x 17-3/8 x 20-1/4 (both ovens)	25 x 17-3/8 x 20-1/4 (both ovens)	21-1/2 x 17-1/4 x 20 (both ovens)
POWER / RATINGS												
KW rating @ 240V/208V	4.5/3.4	4.2/3.2	4.2/3.2	4.2/3.2	4.2/3.2	3.6/2.7		9/6.8	9/6.8	9/6.8	9/6.8	7.2/5.4
Amps @ 240V/208V	20/20	20/20	20/20	20/20	20/20	20/20		40/40	40/40	40/40	40/40	30/30
Convection Wattage	1,300W	2,400W	2,400W	2,400W	2,400W	2,400W		2,400W	2,400W	2,400W	2,400W	2,400W
Bake Wattage	1,700W Upper / 2,200W Lower	2,850W	2,850W	2,850W	2,850W	2,600W		2,850W	2,850W	2,850W	2,850W	2,600W
Broiler Wattage	2,750W Upper / 2,950W Lower	4,300W dual element	4,300W dual element	4,300W dual element	4,300W	3,400W		4,300W dual element	4,300W dual element	4,300W dual element	4,300W dual element	3,400W
ACCESSORIES												
Optional kits**		CXWSFHKPMSS (Brushed Stainless) CXWSFHKPMBT (Brushed Black) CXWSFHKPMBZ (Brushed Bronze) CXWSFHKPMCU (Brushed Copper)		CXWS0H0PMSS (Brushed Stainless) CXWS0H0PMBT (Brushed Black) CXWS0H0PMBZ (Brushed Bronze) CXWS0H0PMCU (Brushed Copper)	CXWS0H0PMSS (Brushed Stainless) CXWS0H0PMBT (Brushed Black) CXWS0H0PMBZ (Brushed Bronze) CXWS0H0PMCU (Brushed Copper)	CXWS7H0PMSS (Brushed Stainless) CXWS7H0PMBT (Brushed Black) CXWS7H0PMBZ (Brushed Bronze) CXWS7H0PMCU (Brushed Copper)		CXWDFHKPMSS (Brushed Stainless) CXWDFHKPMBT (Brushed Black) CXWDFHKPMBZ (Brushed Bronze) CXWDFHKPMCU (Brushed Copper)		CXWS7H0PMSS (Brushed Stainless) CXWS7H0PMBT (Brushed Black) CXWS7H0PMBZ (Brushed Bronze) CXWS7H0PMCU (Brushed Copper)	CXWS0H0PMSS (Brushed Stainless) CXWS0H0PMBT (Brushed Black) CXWS0H0PMBZ (Brushed Bronze) CXWS0H0PMCU (Brushed Copper)	CXWD7H0PMSS (Brushed Stainless) CXWD7H0PMBT (Brushed Black) CXWD7H0PMBZ (Brushed Bronze) CXWD7H0PMCU (Brushed Copper)

*WiFi-enabled feature.
**Not for use on Modern Glass models (CKS70DM2NS5, CTS70DM2NS5, CKD70DM2NS5, CTD70DM2NS5, CTS90DM2NS5, CTD90DM2NS5, CTS92DM2NS5).



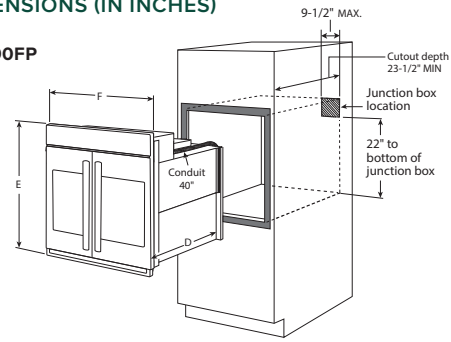
30" BUILT-IN SINGLE OVEN DIMENSIONS (IN INCHES)

MODELS CTS90DM, CTS90DP, CTS70DM, CTS70DP



30" CAFÉ FRENCH-DOOR BUILT-IN SINGLE OVEN DIMENSIONS (IN INCHES)

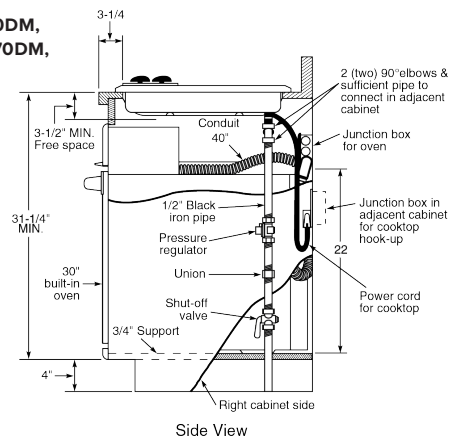
MODEL CTS90FP



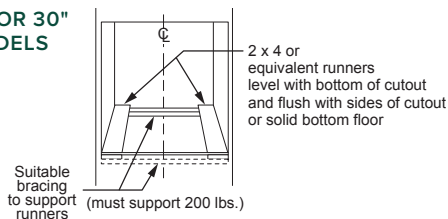
CABINET	CTS90FP, CTS70DP
A – Overlap of oven at top of cutout	1-1/4"
B – Overlap of oven other side of edge of cutout	3/4"
C – Overlap of oven at bottom of cutout	1-1/4"
OVEN	
D – Install depth	23-1/2"
E – Overall height with trim	28-5/8"
F – Overall width	29-3/4"

OPTIONAL UNDERCOUNTER INSTALLATION DIMENSIONS (IN INCHES) WITH GAS COOKTOP

MODELS CTS90DM, CTS90DP, CTS70DM, CTS70DP

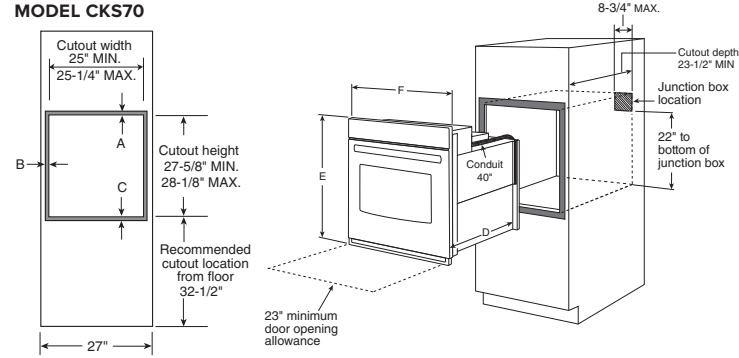


OVEN SUPPORT FOR 30" SINGLE OVEN MODELS



27" BUILT-IN SINGLE OVEN DIMENSIONS (IN INCHES)

MODEL CKS70

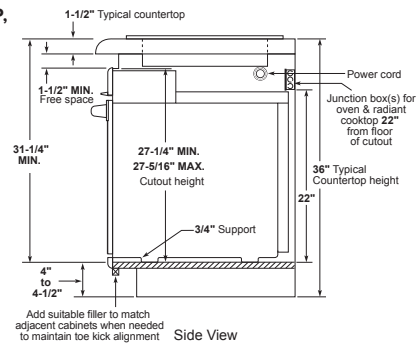


CABINET	CKS70	OVEN	CKS70
A – Overlap of oven at top of cutout	1"	D – Overall depth	23-1/2"
B – Overlap of oven other side of edge of cutout	1"	E – Overall height with trim	28-7/8"
C – Overlap of oven at bottom of cutout	1"	F – Overall width	26-3/4"

OPTIONAL UNDERCOUNTER INSTALLATION DIMENSIONS (IN INCHES) WITH ELECTRIC COOKTOP

MODELS CTS90DM, CTS90DP, CTS70DM, CTS70DP

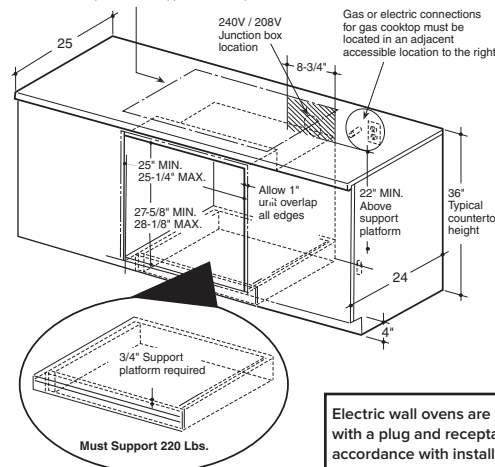
Note: For this installation, the bottom trim will not be flush with a typical 4" toe kick.
Note: Cabinets installed adjacent to wall ovens must have an adhesion spec of at least a 194°F temperature rating.



UNDERCOUNTER INSTALLATION DIMENSIONS (IN INCHES)

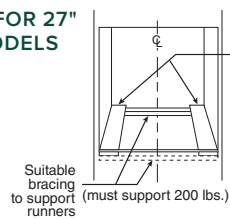
MODEL CKS70

Gas or electric cooktops may be installed over this oven. See cooktop installation instructions for cutout size. See label on top of oven for approved cooktop models.



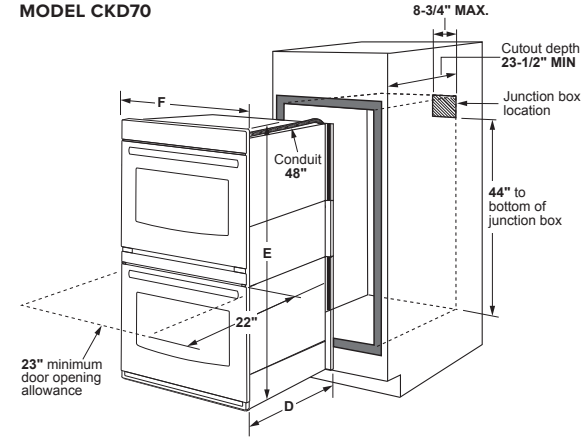
Electric wall ovens are not approved for installation with a plug and receptacle. They must be hard wired in accordance with installation instructions.

OVEN SUPPORT FOR 27" SINGLE OVEN MODELS

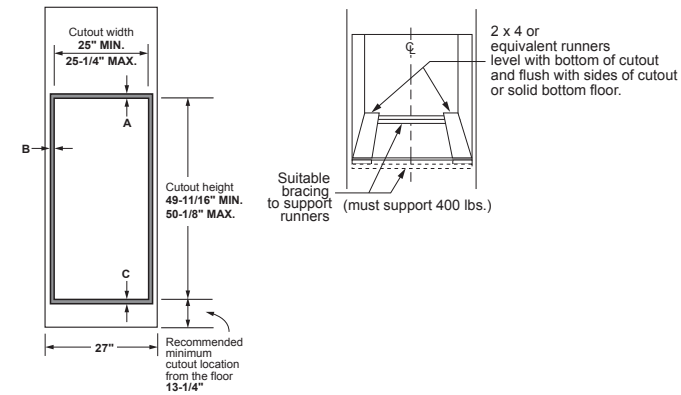


27" BUILT-IN DOUBLE OVEN DIMENSIONS (IN INCHES)

MODEL CKD70



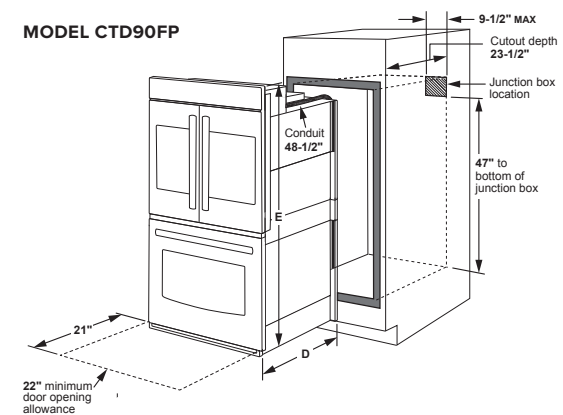
CABINET	27"
A – Overlap of oven at top of cutout	1"
B – Overlap of oven other side of edge of cutout	1"
C – Overlap of oven at bottom of cutout	1"
OVEN	
D – Install depth	23-1/2"
E – Overall height with trim	51-1/8"
F – Overall width	26-3/4"



Note: These ovens are not approved for stackable installations.

30" BUILT-IN DOUBLE OVEN DIMENSIONS (IN INCHES)

MODEL CTD90FP

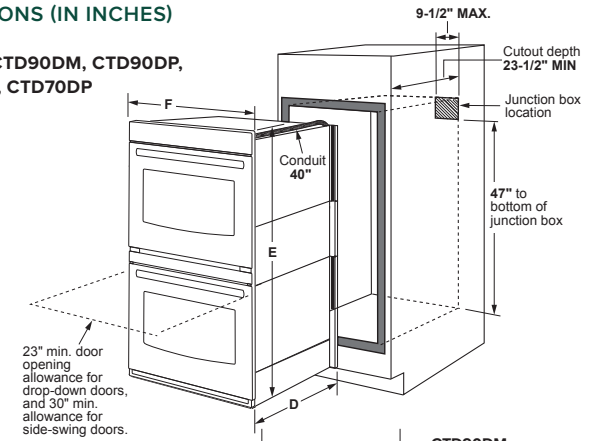


Visit CafeAppliances.com for complete specifications.

Above illustrations intended for dimensional reference only. Refer to photography for actual product appearance.

30" BUILT-IN DOUBLE OVEN DIMENSIONS (IN INCHES)

MODELS CTD90DM, CTD90DP, CTD70DM, CTD70DP

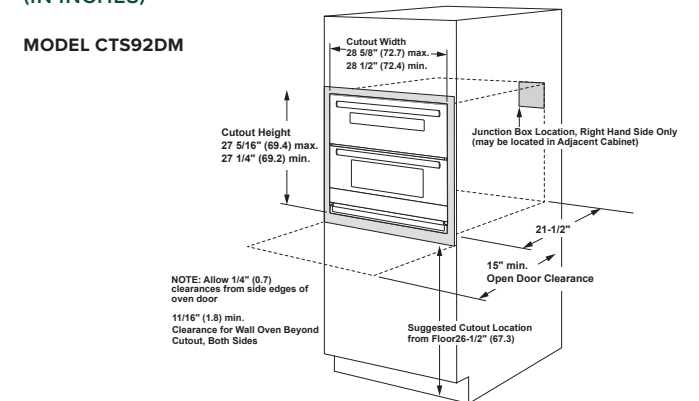


CABINET	CTD90FP	CTD90DM, CTD90DP, CTD70DM, CTD70DP
A – Overlap of oven at top of cutout	1-1/4"	1"
B – Overlap of oven other side of edge of cutout	3/4"	11/16"
C – Overlap of oven at bottom of cutout	1-1/4"	1-1/4"
OVEN		
D – Install depth	27-1/2"	27-3/16"
E – Overall height with trim	53"	52-5/8"
F – Overall width	29-3/4"	29-3/4"

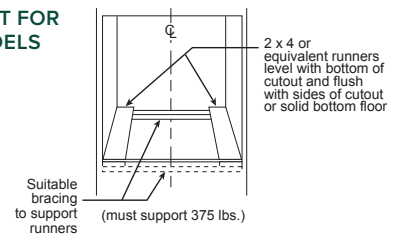
Note: Cabinets installed adjacent to wall ovens must have an adhesion spec of at least a 194°F temperature rating.
Note: If marks, blemishes or the installed oven opening are visible above the cutout opening, it may be necessary to add wood shims under the runners and front trim until the marks or openings are covered.
Note: Door handle protrudes 3" from door face. Cabinets and drawers on adjacent 45° and 90° walls should be placed to avoid interference with the handle.

30" BUILT-IN TWIN FLEX DIMENSIONS (IN INCHES)

MODEL CTS92DM



OVEN SUPPORT FOR 30" OVEN MODELS



Listed by Underwriters Laboratories

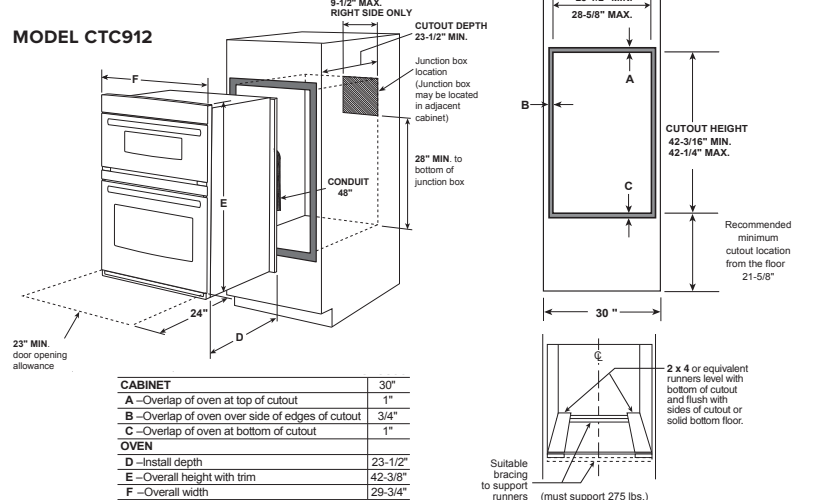
Advantium® Ovens

	CSB923M2NS5 CSB923P2NS1 CSB923P4NW2 CSB923P3ND1	CSB913M2NS5 CSB913P2NS1 CSB913P4NW2 CSB913P3ND1	CSB912M2NS5 CSB912P2NS1	CTC912P2NS1
Claims & Certifications	California Prop 65	California Prop 65	California Prop 65	
FEATURES & CONTROLS				
Family-size oven	1.7 cu. ft.	1.7 cu. ft.	1.7 cu. ft.	Upper: 1.7 cu. ft. Lower: 5.0 cu. ft.
WiFi Connect	Built-in	Built-in	Built-in	Built-in
Stainless steel oven interior	•	•	•	•
Cooking modes	Broil	•	•	Lower
	Convection	•	•	Lower
	Microwave	•	•	Upper
	Proof	•	•	Lower
	Precision Cook	•	•	Lower
	Warm	•	•	Lower
Oven controls	Glass Touch & LCD	•	•	Glass touch
	Preprogrammed menu items	175+	175+	175+
	Help pad	•	•	•
	Interior oven light	•	•	•
Custom recipe saver	•	•	•	•
Microwave Cook sensor	•	•	•	•
Cooking controls	Crisp Reheat	•	•	•
	Defrost	•	•	•
	Express	•	•	•
	Reheat	•	•	•
Microwave power output watts	950	950	950	1000
27"/30" appearance	30"	30"	27"	30"
APPEARANCE				
Color appearance	Platinum Stainless Matte White Matte Black	Platinum Stainless Matte White Matte Black	Platinum Stainless	Stainless
	Brushed Stainless Brushed Bronze Brushed Stainless	Brushed Stainless Brushed Bronze Brushed Stainless	Brushed Stainless	Brushed Stainless
Handle design	Café™ Pro Style Café™ Minimal	Café Pro Style Café Minimal	Café Minimal Café Pro Style	Café Pro Style
WEIGHTS & DIMENSIONS				
Overall oven interior dimensions (WxHxD) (in.)	20-1/16 x 8-1/2 x 17	20-1/16 x 8-1/2 x 17	20-1/16 x 8-1/2 x 17	Upper: 20-1/16 x 8-1/2 x 17 Lower: 25 x 17-3/8 x 26-3/4
Overall dimensions (WxHxD) (in.)	29-3/4 x 20-1/8 x 21-1/2	29-3/4 x 20-1/8 x 21-1/2	29-3/4 x 20-1/8 x 21-1/2	29-3/4 x 43-3/8 x 26-3/4
Oven cabinet width required (in.)	30	30	30	30
Approx. shipping weight (lbs.)	92	92	92	235
POWER/RATINGS				
Input Volts/Hertz	240V/208V/60Hz	120V/60Hz	120V/60Hz	240V/208V/60Hz
Optional kits*	CXWS0H0PMSS (Brushed Stainless) CXWS0H0PMBT (Brushed Black) CXWS0H0PMBZ (Brushed Bronze) CXWS0H0PMCU (Brushed Copper)			CXWD0H0PMSS (Brushed Stainless) CXWD0H0PMBT (Brushed Black) CXWD0H0PMBZ (Brushed Bronze) CXWD0H0PMCU (Brushed Copper)

*Not for use with Modern Glass models (CSB923M2NS5, CSB913M2NS5, CSB912M2NS5).

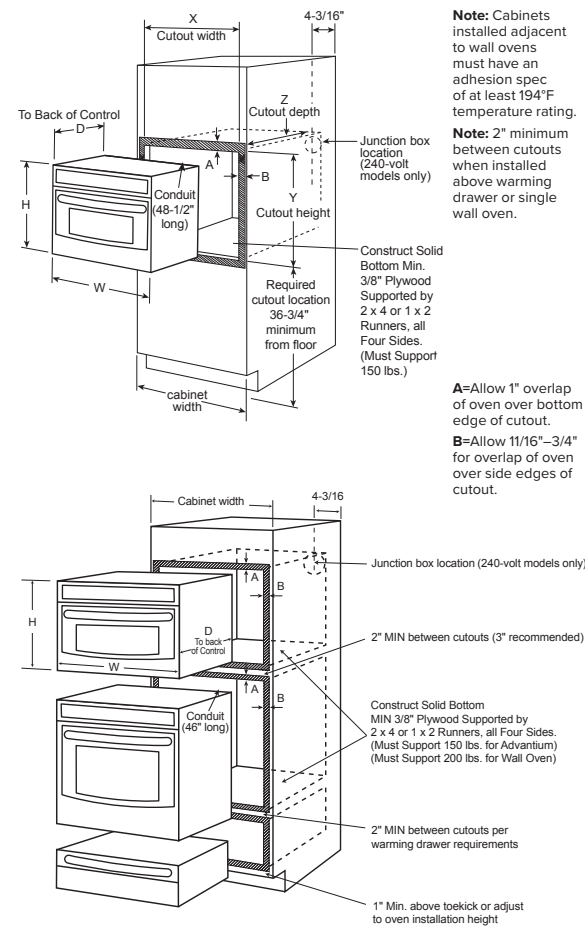
DIMENSIONS AND CABINET INSTALLATION (IN INCHES)

MODEL CTC912



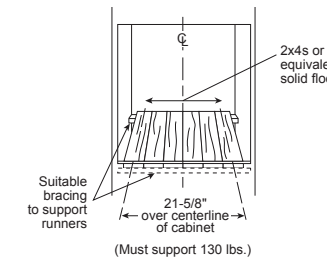
DIMENSIONS AND CABINET INSTALLATION (IN INCHES)

MODELS CSB923, CSB913, CSB912



	CABINET WIDTH	W WIDTH	H HEIGHT	D DEPTH (to back of control)	X CUTOUT WIDTH	Y CUTOUT HEIGHT	Z CUTOUT DEPTH
CSB923	30"	29-3/4"	19-1/8"	21-1/2"	25-1/4"	17-1/2"	23-1/2"
CSB913	30"	29-3/4"	19-1/8"	21-1/2"	25-1/4"	17-1/2"	23-1/2"
CSB912	27"	26-3/4"	19-1/8"	21-1/2"	25-1/4"	17-1/2"	23-1/2"

Note: See wall oven and warming drawer section for complete product and cutout dimensions.



240-volt electric wall ovens are not approved for installation with a plug and receptacle. They must be hard wired in accordance with installation instructions. **Important:** Before installing, consult installation instructions packed with product for current dimensional data. **Note:** Cabinets installed adjacent to wall ovens must have an adhesion spec of at least a 194°F temperature rating.



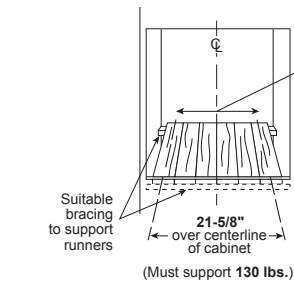
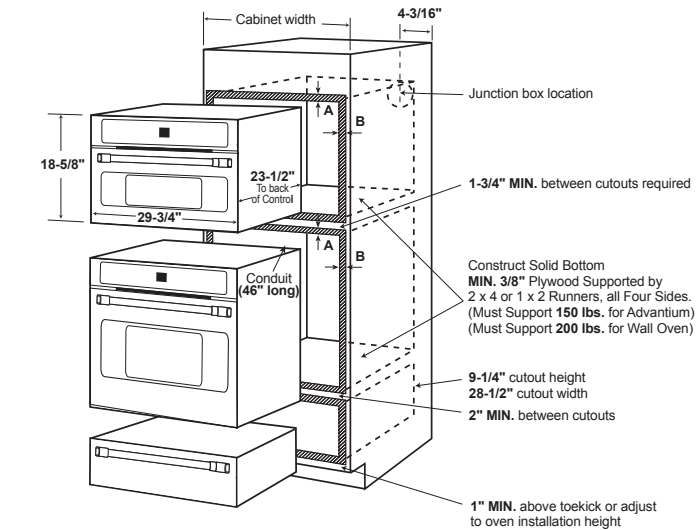
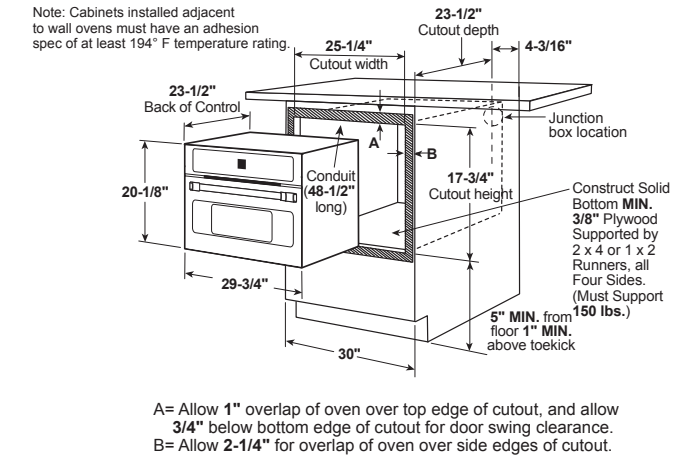
Visit CafeAppliances.com for complete specifications. Above illustrations intended for dimensional reference only. Refer to photography for actual product appearance.

Built-In Steam Oven

FEATURES & CONTROLS		CMB903P2NS1
Family-size oven		1.3 cu ft
Cooking technology		Steam
Cooking Modes	Broil	•
	Convection Broil	•
	Convection Roast	•
	Steam Convection	•
	Steam Cook	•
	Steam Reheat	•
Oven Cooking Modes	Steam-Assist	•
	Baked Goods	•
	Eggs	•
	Meat and fish	•
	Reheat	•
	Rice and grains	•
Oven controls	Vegetables	•
	Glass touch & LCD	•
	Preprogrammed menu items	•
	Help pad	•
Interior oven light		•
Delay start		•
Electronic clock and timer		•
Record recipes		•
Sound volume control		•
Interior lighting		Halogen
APPEARANCE		
Color appearance		Stainless
Handle color		Brushed Stainless
Handle design		Café Pro Style
WEIGHTS & DIMENSIONS		
Overall oven interior dimensions (WxHxD) (in.)		16 x 8 x 13
Overall dimensions (WxHxD) (in.)		29-3/4 x 18-5/8 x 25-1/4
Approx. shipping wt. (lbs.)		87
POWER / RATINGS		
Input Amps 240V/208V		20
Input Volts/Hertz		240V/60Hz
Optional kits		CXWS0H0PMSS (Brushed Stainless) CXWS0H0PMBT (Brushed Black) CXWS0H0PMBZ (Brushed Bronze) CXWS0H0PMCU (Brushed Copper)

30" BUILT-IN STEAM OVEN DIMENSIONS (IN INCHES)

MODEL CMB903



Above illustrations intended for dimensional reference only. Refer to photography for actual product appearance.

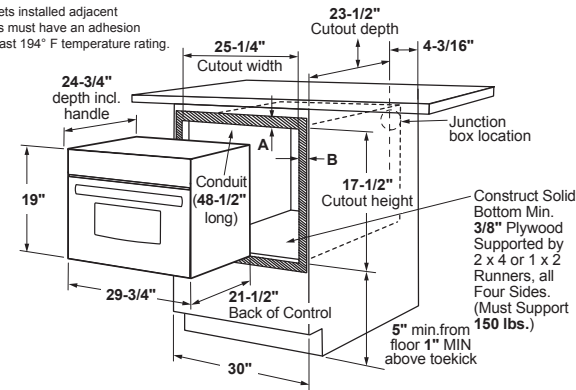
Built-In Microwave Oven

CWB713P2NS1	
FEATURES & CONTROLS	
Family-size oven	1.7 cu ft
Control type	Glass Touch
Cooking technology	Convection
Microwave Watts (IEC-705)	975
Power levels	10
Combination Fast Cook	•
Convection Bake/Broil	•
Warm/Proof	•
Sensor cooking controls	Auto Cook • Popcorn •
Convenience cooking controls	Time Cook • Defrost •
Add 30 seconds	•
Control lockout	•
Timer on/off	•
Cooking complete reminder	•
Demo mode	•
Microwave oven interior	Stainless steel
Electronic digital display with clock	•
Interior lighting	Halogen
Oven racks	Pedestal
Turntable	•
Turntable diameter (in.)	16
APPEARANCE	
Color appearance	Stainless
Handle	•
WEIGHTS & DIMENSIONS	
Approx. shipping wt. (lbs.)	92
Overall oven interior dimensions (WxHxD) (in.)	20-1/16 x 8-1/2 x 17
POWER / RATINGS	
Input Amps/Watts (max.)	14.0/1,600
Input Volts/Hertz	120V/60Hz
Optional kits	CXB30HKPNBT (Brushed Black) CXB30HKPNBZ (Brushed Bronze) CXB30HKPNCU (Brushed Copper) CXB30HKPNSS (Brushed Stainless)

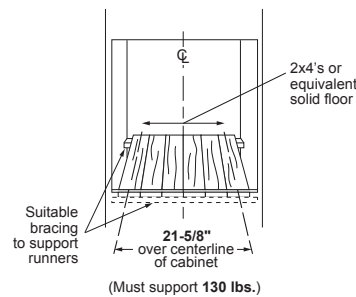
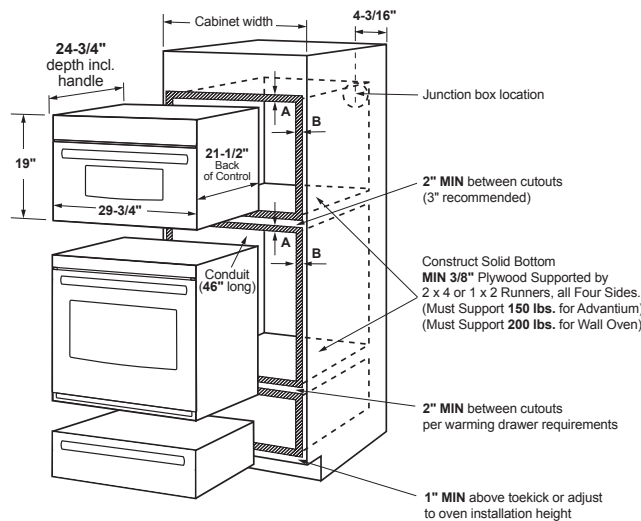
30" BUILT-IN MICROWAVE/CONVECTION OVEN DIMENSIONS (IN INCHES)

MODEL CWB713

Note: Cabinets installed adjacent to wall ovens must have an adhesion spec of at least 194° F temperature rating.



A = Allow clearance of 5/8" from the top and 1-1/8" from the bottom.
B = Allow clearance of 2-3/8" from the sides.

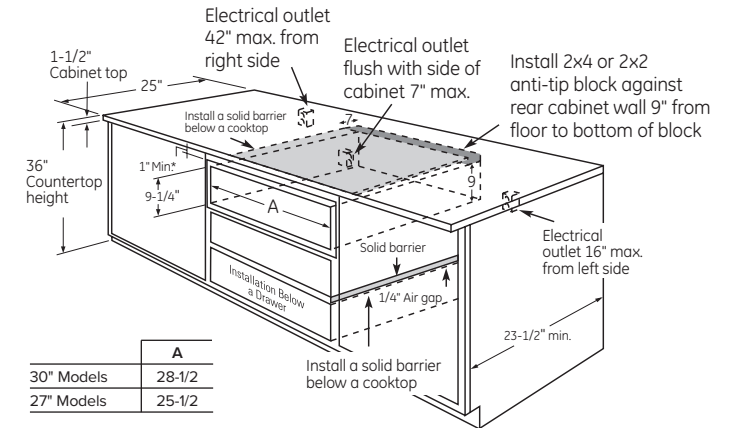


Warming Drawers

CTW900P2PS1 CTW900P4PW2 CTW900P3PD1	
Claims & Certification	ADA Compliant, California Prop 65; UL
FEATURES & CONTROLS	
Capacity (cubic feet)	1.9 cu. ft.
Control location	Hidden
Operation	On/Off rocker switch
Indicator light	"On"
Variable-temperature control	Proof(80) / Low(140) / Med(170) / High(210)
Variable-humidity control	Crisp—moist
Rack configuration	Half rack
Drawer glide	Full-extension, ball-bearing glides
APPEARANCE	
Color appearance	Stainless, Matte White, Matte Black
Handle color	Brushed Stainless, Brushed Stainless, Brushed Bronze
Handle design	Café™ Pro, Café™ Pro, Café™ Pro
WEIGHTS & DIMENSIONS	
Approx. ship. weight (lbs.)	65
Net weight (lbs.)	59
Cabinet width compatibility (in.)	30
Interior dimensions (WxHxD) (in.)	23-7/8 x 6-1/4 x 22-1/16
Exterior dimensions (WxHxD) (in.)	29-3/4 x 10-1/2 x 23-1/4
Cutout dimensions (WxHxD) (in.)	28-1/2 x 9-1/4 x 23-1/2
POWER / RATINGS	
Volts/Hertz/Amps	120V/60Hz/15Amps
Element power (watts)	450
Power cord length	4' 8"
Outlet type	3-prong grounding
Optional kits	CXWDOH0PMSS (Brushed Stainless) CXWDOH0PMBT (Brushed Black) CXWDOH0PMBZ (Brushed Bronze) CXWDOH0PMCU (Brushed Copper)

UNDERCOUNTER INSTALLATION DIMENSIONS (IN INCHES)

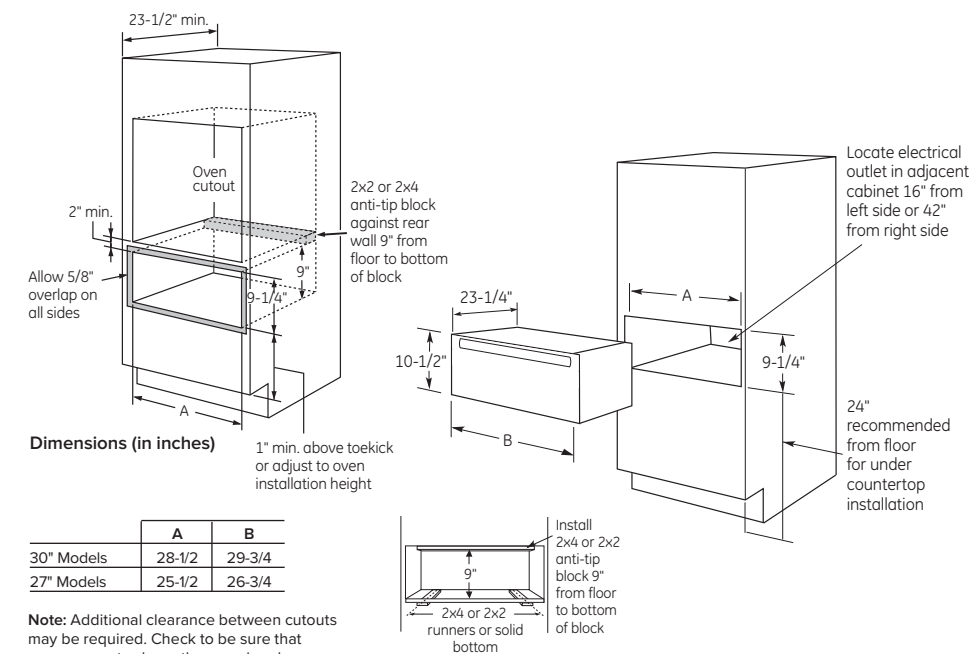
MODEL CTW900



When installed under a cooktop:
Warming drawers are suitable for installation below only certain specified cooktop models. See the label attached to the top of the warming drawer for suitable models. A solid barrier and air gap between cooktop and warming drawer are required.
Note: When installing the warming drawer below a cooktop, a solid barrier must be installed at least 1" from the lowest point of the bottom of cooktop burner box to the top of the cutout. Use any solid material such as 1/4"-thick plywood. Allow at least 1/4" air gap between the barrier and the top of the warming drawer. See label on top of the warming drawer for approved cooktop models.
Note: Door handle protrudes 3" from door face. Cabinets and drawers on adjacent 45° and 90° walls should be placed to avoid interference with the handle.
Installation information: Before installing, consult installation instructions packed with product for current dimensional data.
Note: Use of drawer with ZXD30B custom panel kit will result in the panel not being flush with adjacent cabinet doors and drawers.

INSTALLATION BELOW A SINGLE OR DOUBLE WALL OVEN (IN INCHES)

MODEL CTW900



	A	B
30" Models	28-1/2	29-3/4
27" Models	25-1/2	26-3/4

Note: Additional clearance between cutouts may be required. Check to be sure that oven supports above the warming drawer location do not obstruct the required interior 23-1/2" depth and 9-1/4" height.

(Must support 150 lbs.)

Visit CafeAppliances.com for complete specifications.

Above illustrations intended for dimensional reference only. Refer to photography for actual product appearance.



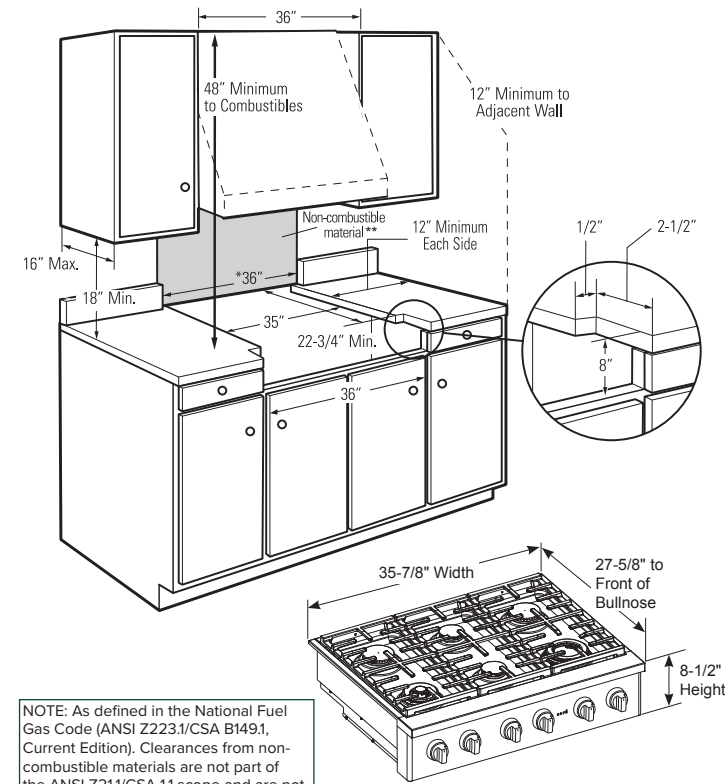
Listed by Underwriters Laboratories

Commercial-Style Rangetops

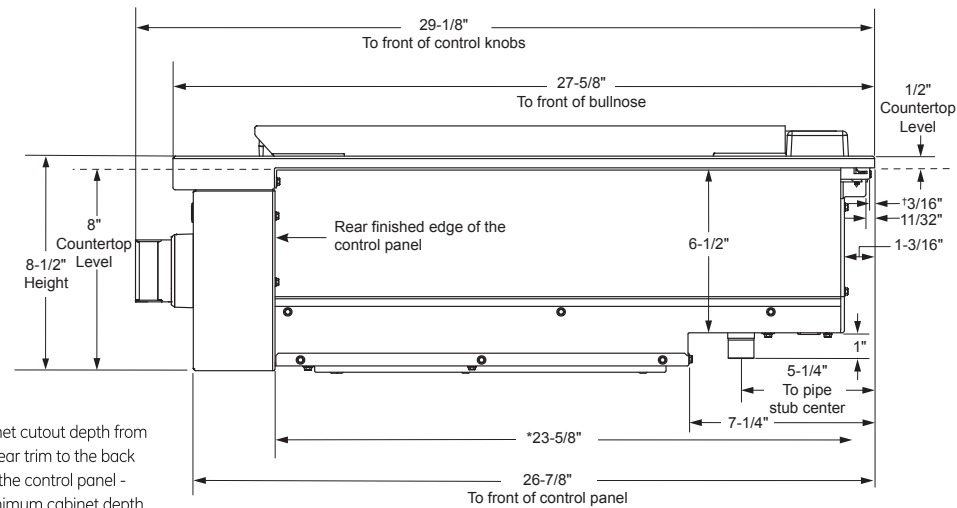
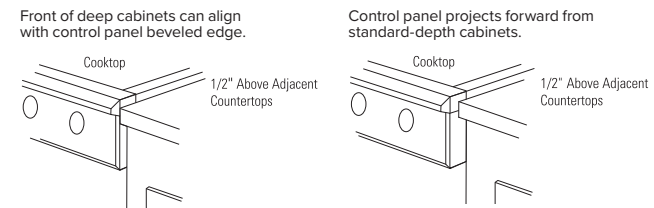
	CGU486P2TS1 CGU486P4TW2 CGU486P3TD1	CGU366P2TS1 CGU366P4TW2 CGU366P3TD1
Claims & Certification	ADA Compliant California Prop 65	ADA Compliant California Prop 65
FEATURES & CONTROLS		
Number of burners	6	6
Burner type	Sealed	Sealed
Control type	Knob	Knob
Control location	Front	Front
Ignition	Electronic	Electronic
COOKTOP		
Burner—left front	21,000 BTU	21,000 BTU
Burner—left rear	18,000 BTU	18,000 BTU
Burner—center front	12,000 BTU	12,000 BTU
Burner—center rear	12,000 BTU	12,000 BTU
Burner—right front	10,000 BTU	10,000 BTU
Burner—right rear	18,000 BTU	18,000 BTU
Griddle	Stainless steel and aluminum clad	
Cooktop burners	Sealed	Sealed
Deep-recessed	•	•
APPEARANCE		
Color appearance	Stainless Matte White Matte Black	Stainless Matte White Matte Black
Cooktop	Porcelain enamel	Porcelain enamel
Grates	6 with integrated griddle	6 separate
Grate material	Heavy-cast	Heavy-cast
Knob color	Brushed Stainless Brushed Bronze Brushed Stainless	Brushed Stainless Brushed Bronze Brushed Stainless
WEIGHTS & DIMENSIONS		
Approx. shipping weight (lbs.)	227	163
Cabinet width (in.)	48	36
Overall dimensions (WxHxD) (in.)	47-7/8 x 8-1/2 x 27-1/2	35-7/8 x 8-1/2 x 27-1/2
POWER / RATINGS		
Voltage	120V	120V
ACCESSORIES		
Optional kits	CXPR8HKPMBT (Brushed Black) CXPR8HKPTBZ (Brushed Bronze) CXPR8HKPMCU (Brushed Copper)	
Griddle	18,000-BTU Stainless steel and aluminum clad	

DIMENSIONS AND INSTALLATION INFORMATION (IN INCHES)

MODEL CGU366



NOTE: As defined in the National Fuel Gas Code (ANSI Z223.1/CSA B149.1, Current Edition). Clearances from non-combustible materials are not part of the ANSI Z211/CSA 1.1 scope and are not certified by CSA. Clearances less than 12" must be approved by local codes and/or the authority having jurisdiction.

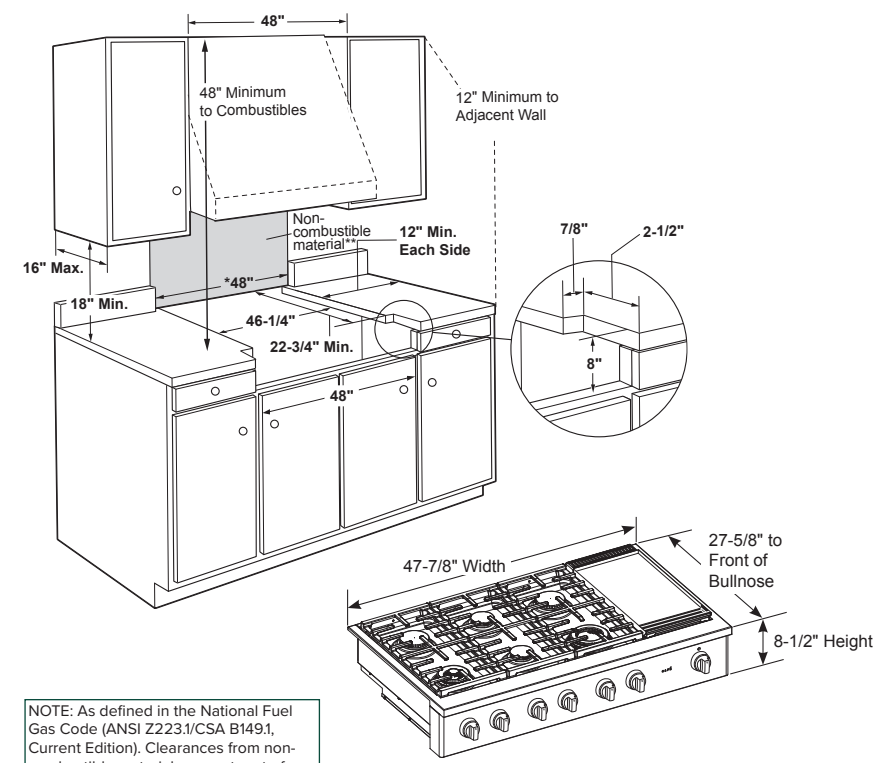


* Minimum cabinet cutout depth from the back of the rear trim to the back finished edge of the control panel - typically, the minimum cabinet depth (front to back). Maximum cabinet cutout depth is 26" minus the countertop overhang.

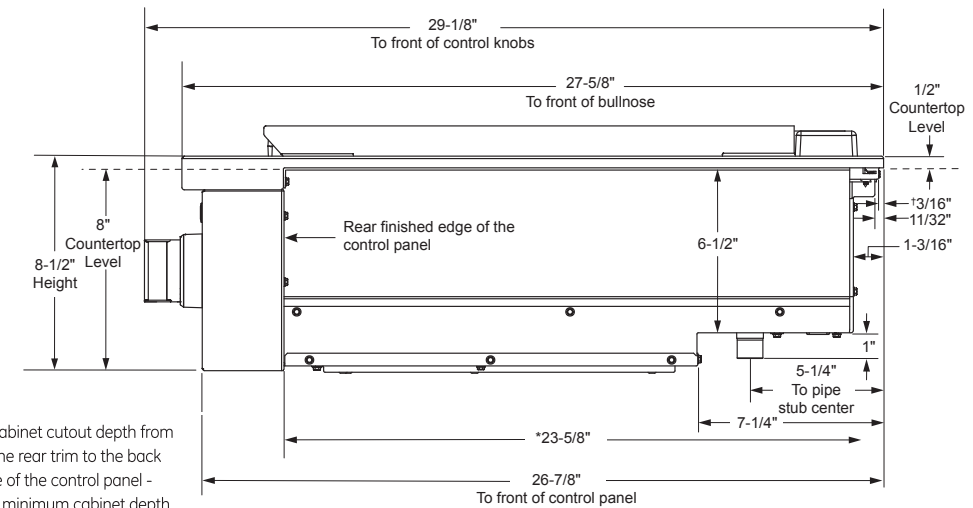
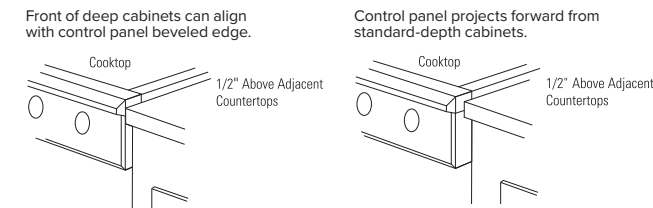
† Include the overhang of the rear trim when countertop continues behind the product. The overhang is decorative only. The weight of the rangetop is fully supported by the side trims.

DIMENSIONS AND INSTALLATION INFORMATION (IN INCHES)

MODEL CGU486



NOTE: As defined in the National Fuel Gas Code (ANSI Z223.1/CSA B149.1, Current Edition). Clearances from non-combustible materials are not part of the ANSI Z211/CSA 1.1 scope and are not certified by CSA. Clearances less than 12" must be approved by local codes and/or the authority having jurisdiction.



* Minimum cabinet cutout depth from the back of the rear trim to the back finished edge of the control panel - typically, the minimum cabinet depth (front to back). Maximum cabinet cutout depth is 26" minus the countertop overhang.

† Include the overhang of the rear trim when countertop continues behind the product. The overhang is decorative only. The weight of the rangetop is fully supported by the side trims.



Installation information: Before installing, consult installation instructions packed with product for current dimensional data.

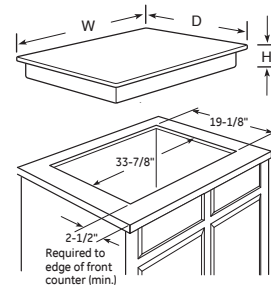
COOKING

Electric Cooktops

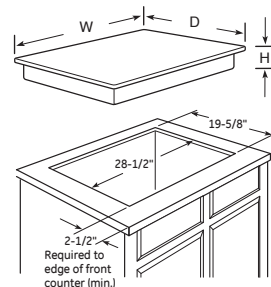
	CEP90361NBB CEP90362NSS	CEP90301NBB CEP90302NSS	CEP70362MS1 CEP70363MS2	CEP70302MS1 CEP70303MS2	CHP95302MSS	CHP95362MSS
Claims & Certification	ADA Compliant; UL; California Prop 65	ADA Compliant; UL; California Prop 65	ADA Compliant; UL; California Prop 65	ADA Compliant; UL; California Prop 65	ADA Compliant; UL; California Prop 65	ADA Compliant; UL; California Prop 65
FEATURES						
Element type	Ribbon	Ribbon	Ribbon	Ribbon	Induction	Induction
Number of elements	5	5	5	5	4	5
SyncBurners	•	•	•	•	•	•
Hot surface indicators	•	•	•	•	•	•
Cooktop "On" indicators	•	•	•	•	•	•
Pan presence & size sensor					•	•
Custom Settings	•	•			•	•
Multi-element timer	•	•			•	•
Kitchen timer					•	•
Keep Warm setting	•	•	•	•		
Melt setting	•	•	•	•		•
CONTROLS						
Type	Glide Touch	Glide Touch	Knob	Knob	Glide Touch	Glide Touch
Location	Front	Front	Front	Front	Front	Front
Control lock	•	•	•	•	•	•
Knob cleaning	N/A	N/A	Dishwasher-safe	Dishwasher-safe	N/A	N/A
All-Off	•	•				
COOKTOP						
Element—left front	7" 1,500W	7" 1,500W	7" 1,500W	7" 1,500W	7" 2,500W	7" 2,500W
Element—left rear	7" 1,500W	7" 1,500W	7" 1,500W	7" 1,500W	7" 2,500W	7" 2,500W
Element—right front	9"7"/5" 3,000W Power Boil	8"5" 2,200W Dual	9"7"/5" 3,000W Power Boil	8"5" 2,200W Dual	11" 3,700W	8" 3,200W
Element—right rear	6" 1,200W	6" 1,200W	6" 1,200W	6" 1,200W	6" 1,800W	6" 1,800W
Element—center	12"9"/6" 3,600W Power Boil	9"7"/5" 3,000W Power Boil	12"9"/6" 3,600W Power Boil	9"7"/5" 3,000W Power Boil		11" 3,700W
Griddle	Included	Included			Optional	Optional
APPEARANCE						
Color appearance	Stainless Black	Stainless Black	Stainless Stainless	Stainless Stainless	Stainless	Stainless
Cooktop color	Stainless	Stainless	Black	Black	Flagstone Gray	Flagstone Gray
Cooktop surface	Black ceramic-glass with beveled edge	Black ceramic-glass with beveled edge	Black ceramic-glass with beveled edge	Black ceramic-glass with beveled edge	Gray ceramic-glass with beveled edge	Gray ceramic-glass with beveled edge
Cooktop frame	Frameless	Frameless	Frameless	Frameless		
Knob color	N/A	N/A	Stainless Brushed Bronze	Stainless Brushed Bronze	N/A	N/A
WEIGHTS & DIMENSIONS						
Approx. shipping weight (lbs.)	58	46	55	48	45	57
Overall dimensions (WxHxD) (in.)	36-1/8 x 3-3/8 x 20-3/8	29-7/8 x 3-3/8 x 21-1/2	36 x 5-9/16 x 20-3/8	29-3/4 x 5-9/16 x 20-7/8	29-3/4 x 4-5/8 x 20-3/8	36 x 4-5/8 x 20-3/8
Cutout dimensions (WxD) (in.)	33-7/8 x 19-1/8	28-1/2 x 19-5/8	33-7/8 x 19-1/8	28-1/2 x 19-5/8	28-1/2 x 19-5/8	33-7/8 x 19-1/8
POWER / RATINGS						
Amps @ 240V/ 208V	45/50	40/40	50/40	40/40	40/40	50/50
KW Rating @ 240V/208V	10.8/8.1	9.4/7.1	10.8/8.1	9.4/7.1	7.4/6.4	11.1/9.6
ACCESSORIES						
Optional kits	N/A	N/A	CXCEIHKPMSS (Brushed Stainless) CXCEIHKPMBT (Brushed Black) CXCEIHKPMBZ (Brushed Bronze) CXCEIHKPMCU (Brushed Copper)	N/A	N/A	N/A
Hestan Cue™ Smart Pan				Included	Included	

COUNTER INSTALLATION DIMENSIONS (IN INCHES)

36" ELECTRIC COOKTOPS

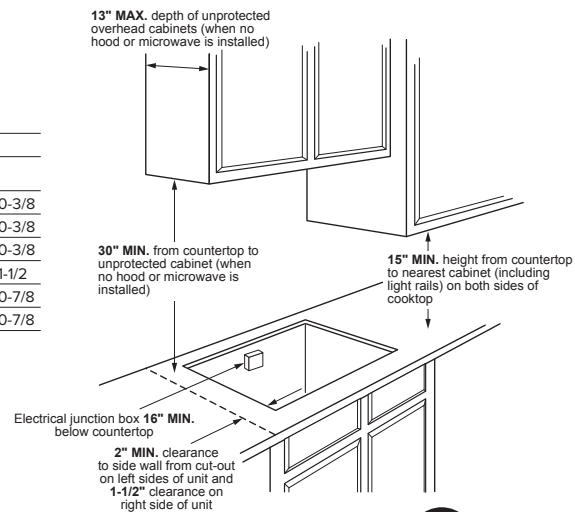


30" ELECTRIC COOKTOPS



DIMENSIONS (IN INCHES)

MODEL	OVERALL		
	W	H	D
CEP9036	36-1/8	3-3/8	20-3/8
CEP7036	36	5-9/16	20-3/8
CHP9536	36	4-5/8	20-3/8
CEP9030	29-7/8	3-3/8	21-1/2
CEP7030	29-3/4	5-9/16	20-7/8
CHP9530	29-3/4	4-5/8	20-7/8



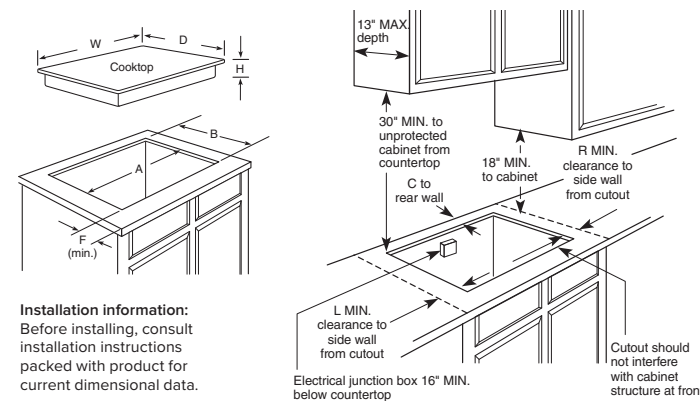
Visit CafeAppliances.com for complete specifications. Above illustrations intended for dimensional reference only. Refer to photography for actual product appearance.



Gas Cooktops

	CGP95362MS1 CGP95363MS2	CGP95302MS1 CGP95302MS2	CGP70362NS1	CGP70302NS1
Claims & Certification	ADA Compliant; California Prop 65	ADA Compliant; California Prop 65	ADA Compliant; California Prop 65	ADA Compliant; California Prop 65
FEATURES & CONTROLS				
Number of burners	5	5	5	5
Control location	Front	Front	Front	Front
Control lock	•	•	•	•
Heavy-duty knobs	•	•	•	•
Backlit knobs	•	•	•	•
BURNER CONFIGURATION				
Burner type	Sealed	Sealed	Sealed	Sealed
Ignition type	Electronic	Electronic	Electronic	Electronic
Burner—left front	9,500 BTU	9,500 BTU	9,500 BTU	9,500 BTU
Burner—left rear	9,500 BTU	9,500 BTU	9,500 BTU	9,500 BTU
Burner—right front	15,000 BTU / Power Boil	12,000 BTU	15,000 BTU / Power Boil	12,000 BTU
Burner—right rear	5,000 BTU	5,000 BTU	5,000 BTU	5,000 BTU
Burner—center	20,000 BTU Tri-ring Power Boil	20,000 BTU Tri-ring Power Boil	18,000 BTU	18,000 BTU
GRATES				
Number of grates	1	1	1	1
Grate construction	Matte black, heavy-cast	Matte black, heavy-cast	Matte black, porcelain	Matte black, porcelain
Grate configuration	Continuous	Continuous	Continuous	Continuous
Cast-iron griddle	Included	Included		
APPEARANCE				
Color appearance	Stainless Stainless	Stainless Stainless	Stainless	Stainless
Cooktop color	Stainless	Stainless	Stainless	Stainless
Cooktop surface	Deep-recessed	Deep-recessed	Deep-recessed	Deep-recessed
Knob color	SS appearance/Brushed Bronze	SS appearance/Brushed Bronze	SS appearance	SS appearance
WEIGHTS & DIMENSIONS				
Approx. shipping weight (lbs.)	57	51	57	50
Net weight (lbs.)	51	45	51	44
Cabinet width compatibility (in.)	36	30	36	30
Overall dimensions (WxHxD) (in.)	36 x 5-1/2 x 21	30 x 5-1/2 x 21	36 x 5-1/2 x 21	30 x 3-1/4 x 21
Cutout dimensions (WxD) (in.)	33-7/8 x 19-1/8	28-1/2 x 19-5/8	33-7/8 x 19-1/8	28-1/2 x 19-5/8
POWER / RATINGS				
Amps Rating @ 120V, 60 Hz	5	5	5	5
ACCESSORIES				
Optional kits	CXCGIKOPMSS (Brushed Stainless) CXCGIKOPMBT (Brushed Black) CXCGIKOPMBZ (Brushed Bronze) CXCGIKOPMCU (Brushed Copper)	CXCGIKOPMSS (Brushed Stainless) CXCGIKOPMBT (Brushed Black) CXCGIKOPMBZ (Brushed Bronze) CXCGIKOPMCU (Brushed Copper)	CXCGIKOPMSS (Brushed Stainless) CXCGIKOPMBT (Brushed Black) CXCGIKOPMBZ (Brushed Bronze) CXCGIKOPMCU (Brushed Copper)	CXCGIKOPMSS (Brushed Stainless) CXCGIKOPMBT (Brushed Black) CXCGIKOPMBZ (Brushed Bronze) CXCGIKOPMCU (Brushed Copper)
LP conversion kit	Included	Included	Included	Included

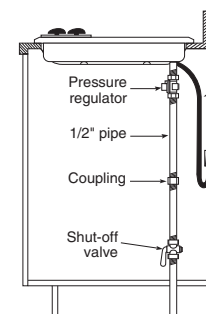
COUNTER INSTALLATION DIMENSIONS (IN INCHES)



Installation information: Before installing, consult installation instructions packed with product for current dimensional data.

GAS CONNECTION

ALL MODELS

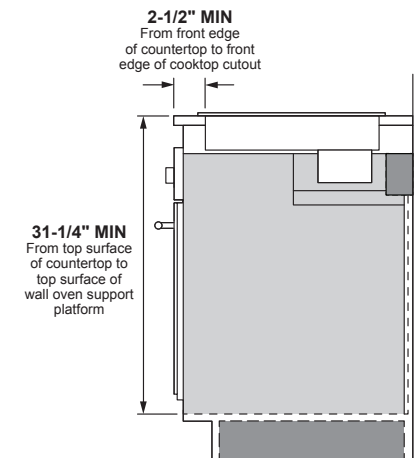


Installation with single wall oven information: Select 30" gas cooktops are approved for use over GE 27" wall ovens and warming drawers. 36" and 30" gas cooktops are approved for use over 30" wall ovens and warming drawers. Refer to cooktop and wall oven installation instructions packed with product for current dimensional data.

DIMENSIONS (IN INCHES)

MODEL	OVERALL			CUTOUT			MINIMUM SPACING TO NEAREST COMBUSTIBLE WALL			TO EDGE OF FRONT COUNTER
	W	H*	D	A	B	C	L	R	F	
CGP9536	36	5-1/2	21	33-7/8	19-1/8	3-3/8	12	12	2-1/2	
CGP7036	36	5-1/2	21	33-7/8	19-1/8	3-3/8	12	12	2-1/2	
CGP9530	30	5-1/2	21	28-1/2	19-5/8	2-7/8	12	12	2-1/2	
CGP7030	30	3-1/4	21	28-1/2	19-5/8	2-7/8	12	12	2-1/2	

*Allow 5-3/4" depth at rear for electrical and gas connections. **Raised bullnose countertops may require up to 3/8" additional clearance to prevent interference with curved front.



Visit CafeAppliances.com for complete specifications. Above illustrations intended for dimensional reference only. Refer to photography for actual product appearance.

COOKING

Ventilation

	UVW9484SPSS
Claims & Certification	AHAM; California Title 24 compliant
FEATURES & CONTROLS	
Control type	Backlit push button
Control location	Hidden
Auto-on heat-sensor feature	•
Number of fan speeds	4
Number of blowers	2
FILTERS	
Number of filters	4
Included grease filter type	Baffle
Filter cleaning	Dishwasher-safe
LIGHTING	
Number of cooktop lights	3
Lighting control	Off/High/Night light
Type of lighting	LED
Light bulbs	Included
INSTALLATION	
Mounting	Wall
Venting type	Vented
Exhaust direction	Top/horizontal
Round duct diameter (in.)	10
Maximum equivalent duct length (ft.)	100
CFM/SONES RATING	
Top round (high speed)	1220/11
APPEARANCE	
Color appearance	Stainless
WEIGHTS & DIMENSIONS	
Approx. shipping weight (lbs.)	130
Net weight (lbs.)	120
Cabinet width compatibility (in.)	48
Overall dimensions (WxHxD) (in.)	48 x 18 x 25
POWER / RATINGS	
Amp rating @ 120V	12.5
OPTIONAL ACCESSORIES	
Makeup air accessory kit— 8”/6” duct	JXMUA8/JXMUA6
Duct cover kit	CX10DC9SPSS CX12DC9SPSS

	UVW93642SPSS CVW93644PWM CVW93643PDS	UVW93042PSS CVW93044PWM CVW93043PDS	UVW9361SLSS	UVW9301SLSS		UVW8361SLSS	UVW8301SLSS	CVW73612MSS CVW73614MWM CVW73613MDS	CVW73012MSS CVW73014MWM CVW73013MDS	UVC9300SLSS	UVC9360SLSS	UVW8304SPSS	UVW8364SPSS
Claims & Certification	AHAM; UL; California Prop 65	AHAM; UL; California Prop 65	AHAM; UL; ADA capable; California Prop 65	AHAM; UL; ADA capable; California Prop 65		AHAM; UL; ADA capable; California Prop 65	AHAM; UL; ADA capable; California Prop 65	AHAM; UL; California Prop 65	AHAM; UL; California Prop 65	AHAM; UL; California Prop 65	AHAM; UL; California Prop 65	AHAM; UL; California Prop 65	AHAM; UL; California Prop 65
FEATURES & CONTROLS													
Control type	Backlit push button	Backlit push button	Electronic Touch	Electronic Touch		Electronic backlit	Electronic backlit	Backlit	Backlit	Push-button	Push-button	Backlit push-button	Backlit push-button
Control location	Hidden	Hidden	Front	Front		Front	Front	Front	Front	Hidden	Hidden	Hidden	Hidden
Chef Connect	•	•						•	•	•	•	•	•
Number of fan speeds	4	4	4	4		3	4	4	4	4	4	4	4
Number of blowers	1	1	1	1		1	1	1	1	1	1	1	1
FILTERS													
Filter cleaning	Dishwasher-safe	Dishwasher-safe	Dishwasher-safe	Dishwasher-safe		Dishwasher-safe	Dishwasher-safe	Dishwasher-safe	Dishwasher-safe	Dishwasher-safe	Dishwasher-safe	Dishwasher-safe	Dishwasher-safe
LIGHTING													
Number of cooktop lights	2	2	3	3		2	2	2	2	3	3	2	2
Lighting control	Off/High/Night	Off/High/Night	Off/High/Night	Off/High/Night		Off/High/Night	Off/High/Night	On/Off/Night	On/Off/Night	On/Off/Night	On/Off/Night	On/Off/Night	On/Off/Night
Type of lighting	LED	LED	LED	LED		LED	LED	Halogen	Halogen	LED	LED	LED	LED
Light bulbs	Included	Included	Included	Included		Included	Included	Included	Included	Included	Included	Included	Included
INSTALLATION													
Mounting	Wall	Wall	Wall	Wall		Wall	Wall	Wall	Wall	Wall	Wall	Wall	Wall
Venting type	Convertible	Convertible	Convertible	Convertible		Convertible	Convertible	Convertible	Convertible	Convertible	Convertible	Convertible	Convertible
Exhaust direction	Top/horizontal	Top/horizontal	Top	Top		Top	Top	Top	Top	Top	Top	Top	Top
Round duct diam. (in.)	8	8	8	8		8	8	6	6	8	8	8	8
CFM/SONES RATING													
Top round (boost speed)			610/-	610/-		N/A	N/A	350/6.1	350/6.1	620/-	610/-	390/9.0	390/9.0
Top round (high speed)	590/7.5	590/7.5	290/4	290/4		350/3.1	350/3.1	330/5.4	330/5.4	288/4.9	288/4.9	300/4.0	300/4.0
Top round (working speed)	160/0.4	160/0.4						160/0.9	160/0.9			100/1.0	100/1.0
APPEARANCE													
Color appearance	Stainless Matte White Matte Black	Stainless Matte White Matte Black	Stainless Black Stainless	Stainless Black Stainless		Stainless	Stainless	Stainless Matte White Matte Black	Stainless Matte White Matte Black	Stainless	Stainless	Stainless	Stainless
WEIGHTS & DIMENSIONS													
Approx. shipping weight (lbs.)	77	68	84	79		76	73	60	60	48.5	52	68	77
Net weight (lbs.)	54	54	73	71		65	65	46	43	43	45	54	60
Cabinet width compatibility (in.)	36	30	36	30		36	30	36	30	30	36	30	36
Overall dimensions (WxHxD) (in.)	36 x 18 x 21	30 x 18 x 21	40-1/6 x 29-1/8 x 22-5/6	34-1/4 x 29-1/8 x 22-5/6		40-1/6 x 29-1/8 x 22-5/6	34-1/4 x 29-1/8 x 22-5/6	36 x 1-3/4 x 18-1/2	30 x 1-3/4 x 18-1/2	31-8/9 x 16-1/2 x 22	37-4/5 x 16-1/2 x 22	30 x 10 x 21	36 x 10 x 21
POWER / RATINGS													
Amp rating @ 120V	3.9	3.9	3.0	3.0		2.5	2.5	5.3	5.3	3.0	3.0	5.3	5.3
OPTIONAL ACCESSORIES													
Duct cover	CX10DC9SPSS CX12DC9SPSS CX10DC9SPDS CX12DC9SPDS CX10DC9SPWM CX12DC9SPWM	CX10DC9SPSS CX12DC9SPSS CX10DC9SPDS CX12DC9SPDS CX10DC9SPWM CX12DC9SPWM	UX12DC9SLSS UX14DC9SLSS	UX12DC9SLSS UX14DC9SLSS		UX10DC8SLSS UX12DC9SLSS UX14DC9SLSS	UX10DC8SLSS UX12DC9SLSS UX14DC9SLSS	UXDC732MSS UXDC733MDS UXDC734MWM	UXDC732MSS UXDC733MDS UXDC734MWM			CX10DC9SPSS CX12DC9SPSS	CX10DC9SPSS CX12DC9SPSS
Charcoal filter								JXCF71	JXCF71	UXCF91	UXCF91	UXCF91	UXCF91
Remote control								UXRC70	UXRC70				



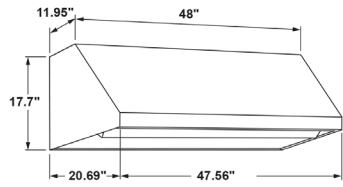
Visit CafeAppliances.com for complete specifications.

Above illustrations intended for dimensional reference only. Refer to photography for actual product appearance.

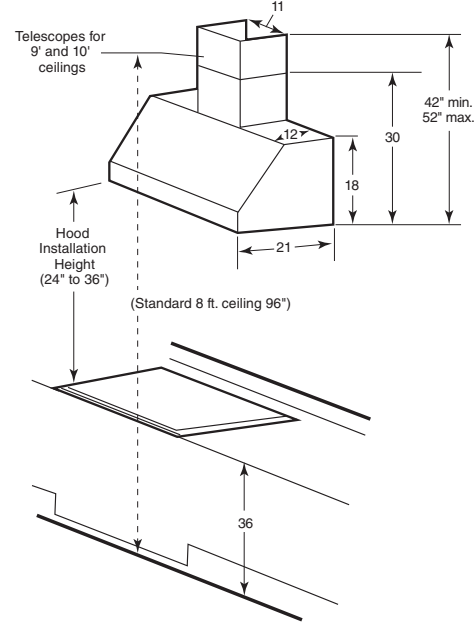
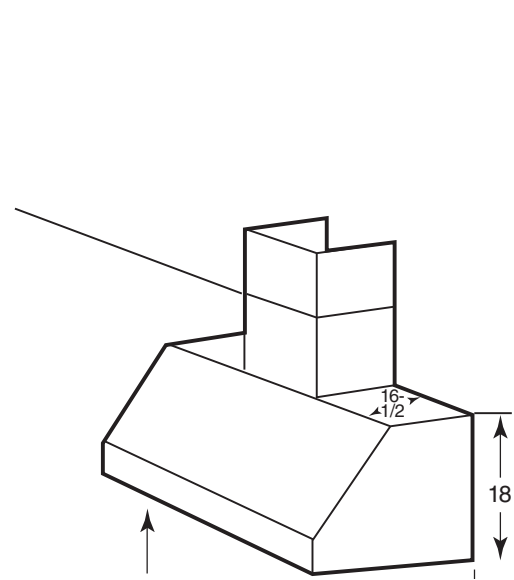
COOKING

HOODS DIMENSIONS AND INSTALLATION INFORMATION (IN INCHES)

MODEL UVW9484

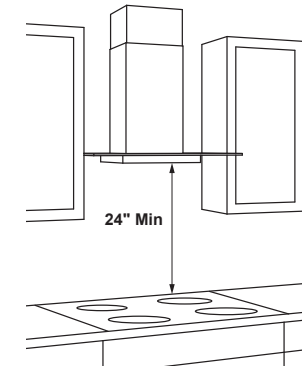


MODELS UVW9304, CVW9304, UVW9364, CVW9364

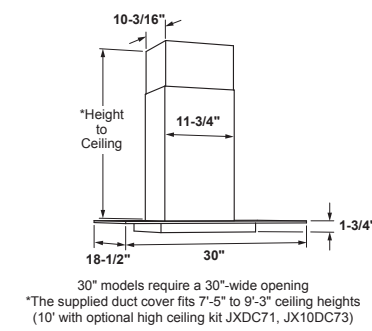


HOODS DIMENSIONS AND INSTALLATION INFORMATION (IN INCHES)

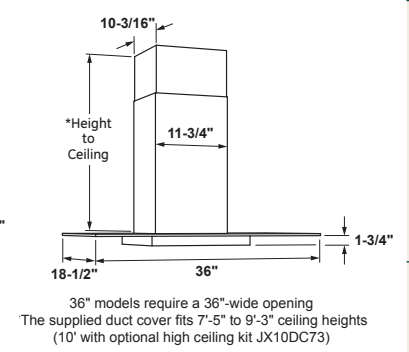
The vent hood must be installed 24" min. above the cooking surface. For optimal performance, installing the hood more than 36" above the cooking surface is not recommended. The hood installation height above the cooking surface depends upon ceiling height. The telescopic duct cover conceals the ductwork running from the top of the hood to the ceiling.
NOTE: Installation height should be measured from the cooking surface to the lowest part of the hood. This hood may be installed onto a wall and vented to the outdoors, or it can be installed for recirculating operation. Parts for recirculating operation are supplied with the hood. However, when installed for recirculating operation, the optional charcoal Filter JXCF71 will need to be purchased separately.



MODEL CVW7301

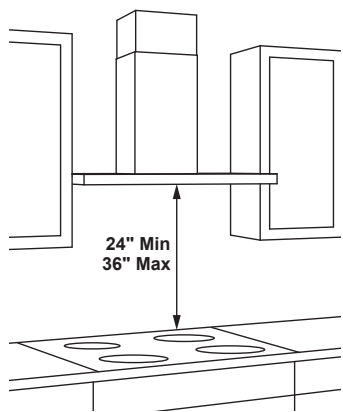


MODEL CVW7361

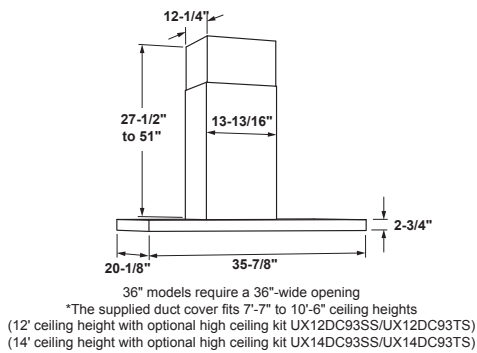


UNIVERSAL HOODS

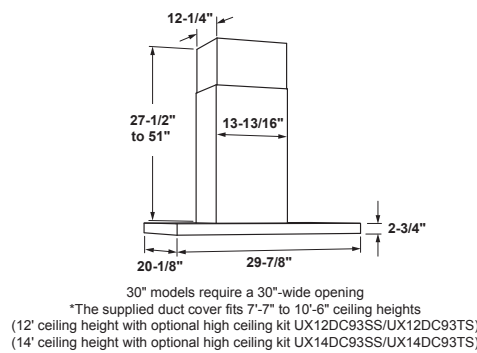
The vent hood must be installed 24" min. above the cooking surface. For optimal performance, installing the hood more than 36" above the cooking surface is not recommended. The hood installation height above the cooking surface depends upon ceiling height. The telescopic duct cover conceals the ductwork running from the top of the hood to the ceiling.
NOTE: Installation height should be measured from the cooking surface to the lowest part of the hood. This hood may be installed onto a wall and vented to the outdoors, or it can be installed for recirculating operation. Parts for recirculating operation are supplied with the hood.



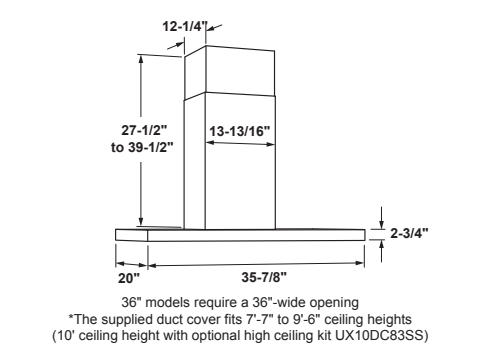
MODEL UVW9361



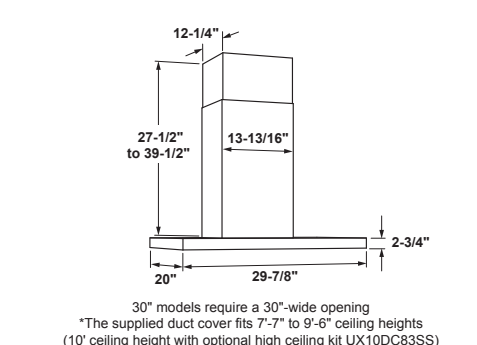
MODEL UVW9301



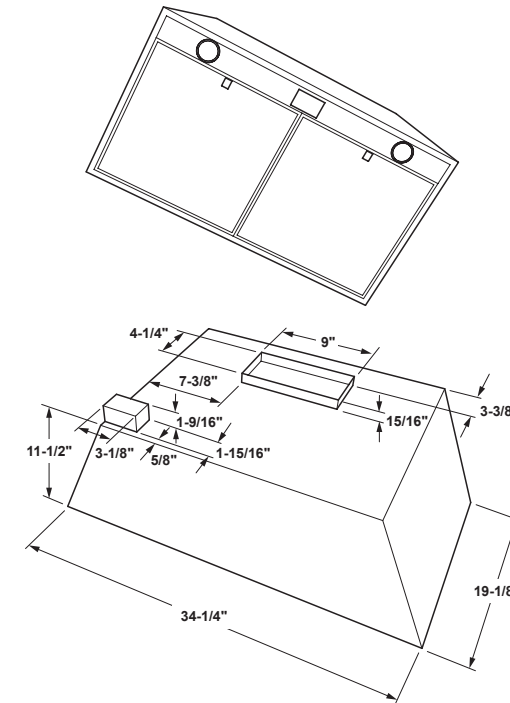
MODEL UVW8361



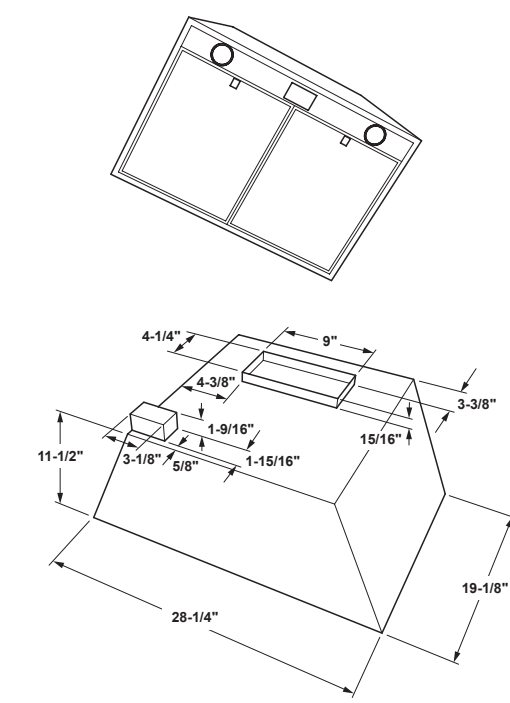
MODEL UVW8301



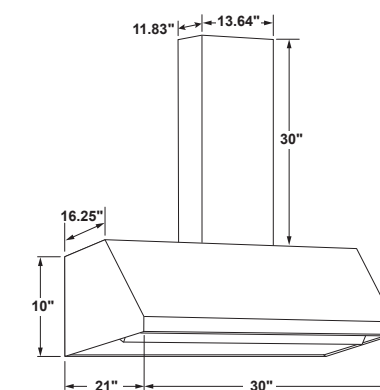
MODEL UVC9360



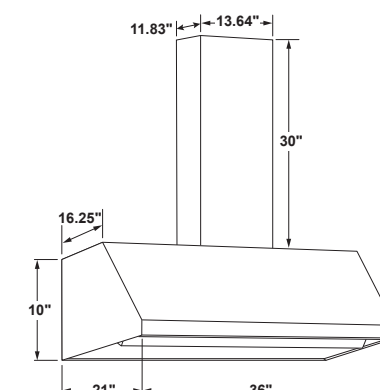
MODEL UVC9300



MODEL UVW8304



MODEL UVW8364



Commercial-Style Ranges

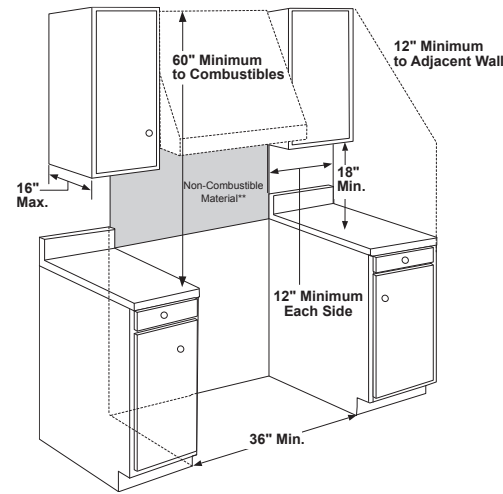
	C2Y486P2TS1 C2Y486P4TW2 C2Y486P3TD1	C2Y366P2TS1 C2Y366P4TW2 C2Y366P3TD1	CGY366P2TS1 CGY366P4TW2 CGY366P3TD1
Claims & Certification	ADA Compliant; CSA; California Prop 65	ADA Compliant; CSA; California Prop 65	ADA Compliant; CSA; California Prop 65
FEATURES			
Capacity (cu. ft.) upper/lower	5.75 Caterer oven/ 2.5 Everyday oven	5.75	6.2
WiFi Connect	Built-in	Built-in	Built-in
CONTROLS			
Electronic oven controls	•	•	•
Delay bake	•	•	•
Digital temperature display	•	•	•
Electronic timer	•	•	•
Ignition	Electronic with Auto Reignition	Electronic with Auto Reignition	Electronic with Auto Reignition
Self-clean latch	Auto	Auto	
COOKTOP			
Burner—left front	21,000 BTU	21,000 BTU	21,000 BTU
Burner—left rear	18,000 BTU	18,000 BTU	18,000 BTU
Burner—right front	10,000 BTU	10,000 BTU	10,000 BTU
Burner—right rear	18,000 BTU	18,000 BTU	18,000 BTU
Burner—center	12,000 BTU front / 12,000 BTU rear	12,000 BTU front / 12,000 BTU rear	12,000 BTU front / 12,000 BTU rear
Cooktop burners	Sealed	Sealed	Sealed
Griddle	Stainless steel and aluminum clad		
OVEN			
Audible preheat signal	•	•	•
Convection	•	•	•
Convection bake	•	•	•
Convection roast	•	•	•
In-oven broiling	•	•	•
No-preheat air fry	•*	•*	•*
Precision oven modes	•*	•*	•*
Interior oven light	Halogen	Halogen	Halogen
Temperature probe	•	•	•
Self-clean oven racks	•	•	•
Oven racks	Caterer oven: 1 self-clean roller rack, 2 self-clean flat oven racks, 5 rack positions Everyday oven: 1 flat rack, 1 roller rack, 4 rack positions	1 self-clean roller rack, 2 self-clean flat oven racks, 5 rack positions	1 nickel roller rack, 1 nickel flat oven rack, 5 rack positions
APPEARANCE			
Color appearance	Stainless Matte White Matte Black	Stainless Matte White Matte Black	Stainless Matte White Matte Black
Cooktop	Porcelain-enamel	Porcelain-enamel	Porcelain-enamel
Grates	6 with integrated griddle	6 separate	6 separate
Grate material	Heavy-cast	Heavy-cast	Heavy-cast
Handle color	Brushed Stainless Brushed Bronze Brushed Stainless	Brushed Stainless Brushed Bronze Brushed Stainless	Brushed Stainless Brushed Bronze Brushed Stainless
Handle design	Café™ Pro Café™ Pro Café™ Pro	Café Pro Café Pro Café Pro	Café Pro Café Pro Café Pro
Knobs	Brushed Stainless Brushed Bronze Brushed Stainless	Brushed Stainless Brushed Bronze Brushed Stainless	Brushed Stainless Brushed Bronze Brushed Stainless
Oven interior	Black	Black	Black
WEIGHTS & DIMENSIONS			
Approx. shipping weight (lbs.)	672	462	462
Overall oven interior dimensions (WxHxD) (in.)	28-1/4 x 16-3/8 x 21-3/8 (Caterer oven) 12-1/4 x 16-3/8 x 21-3/8 (Everyday oven)	28-1/4 x 16-3/8 x 21-3/8	28-1/4 x 16-3/8 x 19
POWER / RATINGS			
Bake wattage	2,700W (Caterer oven); 1,600W (Everyday oven)	2,700W	23,500 BTU
Broil wattage	4,000W (Caterer oven); 2,750W (Everyday oven)	4,000W	1,050W, 18,000 BTU
Burners (000's BTU) Nat/LP	(1) 10.0; (2) 12.0; (2) 15.0; (1) 21.0	(1) 10.0; (2) 12.0; (2) 15.0; (1) 21.0	(1) 10.0; (2) 12.0; (2) 15.0; (1) 21.0
Gas range electrical rating	240V/50A	240V/30A	120V/60Hz/15A
LP Conversion Kit	Included	Included	Included
ACCESSORIES			
Optional kits	CXPR8HKPTBT (Brushed Black) CXPR8HKPTBZ (Brushed Bronze) CXPR8HKPTCU (Brushed Copper) CXPR8HKPTSS (Brushed Stainless)	CXPR6HKPTBT (Brushed Black) CXPR6HKPTBZ (Brushed Bronze) CXPR6HKPTCU (Brushed Copper) CXPR6HKPTSS (Brushed Stainless)	CXPR6HKPTBT (Brushed Black) CXPR6HKPTBZ (Brushed Bronze) CXPR6HKPTCU (Brushed Copper) CXPR6HKPTSS (Brushed Stainless)

*WiFi-enabled feature.

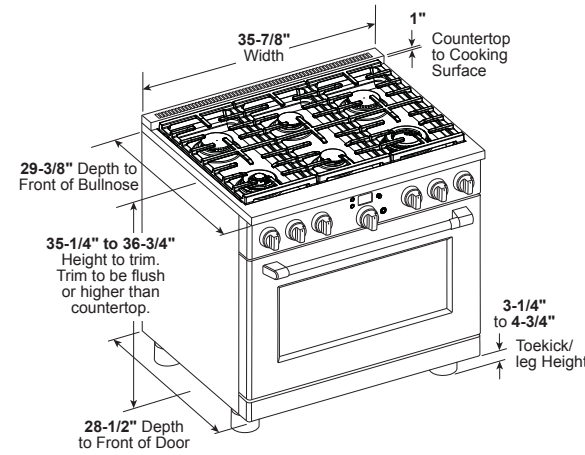
Above illustrations intended for dimensional reference only. Refer to photography for actual product appearance.

DIMENSIONS AND INSTALLATION INFORMATION

CGY366



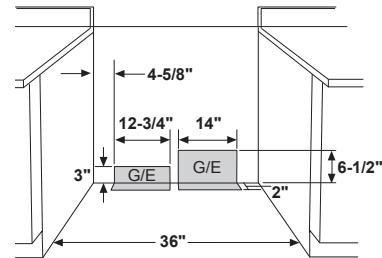
NOTE: As defined in the National Fuel Gas Code (ANSI Z223.1/CSA B149.1, Current Edition). Clearances from non-combustible materials are not part of the ANSI Z21.1/CSA 1.1 scope and are not certified by CSA. Clearances less than 12" must be approved by local codes and/or the authority having jurisdiction.



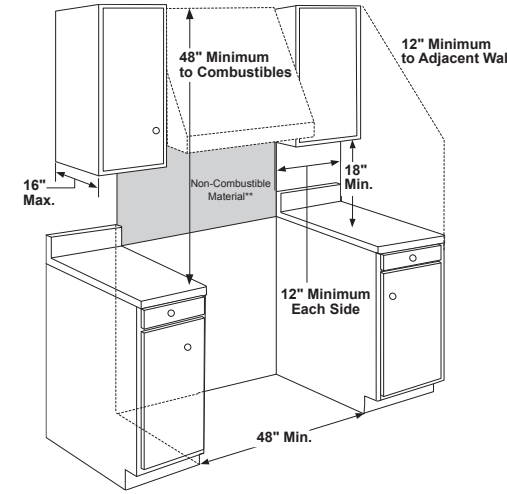
UTILITY LOCATIONS

Locate gas and electric as shown.

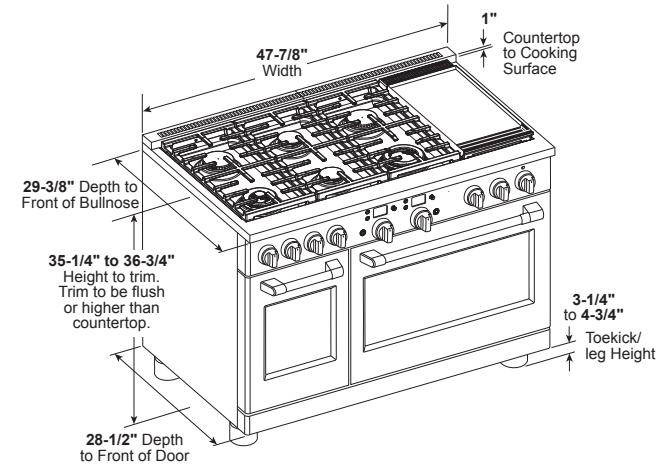
CGY366



C2Y486

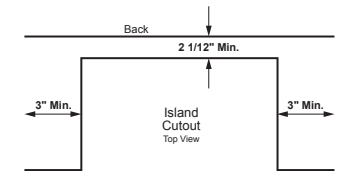
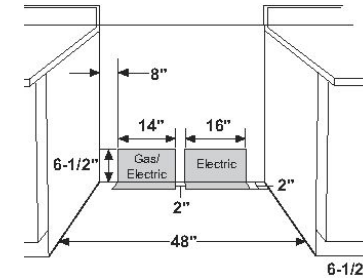


NOTE: As defined in the National Fuel Gas Code (ANSI Z223.1/CSA B149.1, Current Edition). Clearances from non-combustible materials are not part of the ANSI Z21.1/CSA 1.1 scope and are not certified by CSA. Clearances less than 12" must be approved by local codes and/or the authority having jurisdiction.



UTILITY LOCATIONS

C2Y486

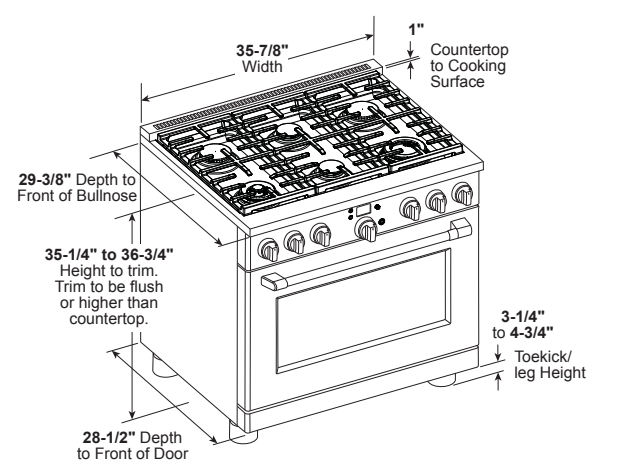
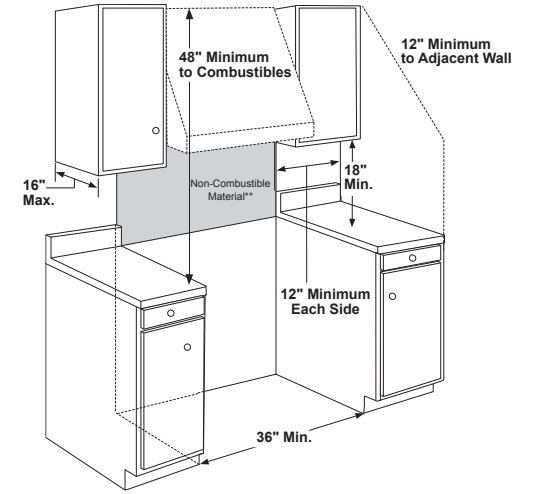


ADDITIONAL CLEARANCES:
Allow 12" minimum clearance to an adjacent wall on each side. Working areas adjacent to the rangetop should have 18" minimum clearance between countertop and the bottom of the wall cabinet.

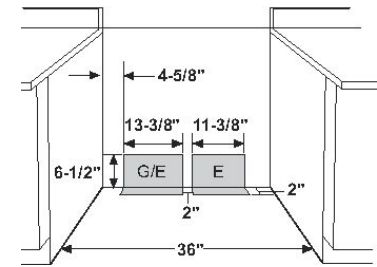
For island installation, maintain 2-1/2" minimum from cutout to back edge of countertop and 3" minimum from cutout to side edges of countertop (See top view)

Above illustrations intended for dimensional reference only. Refer to photography for actual product appearance.

C2Y366



C2Y366



Installation information: Before installing, consult installation instructions packed with product for current dimensional data.



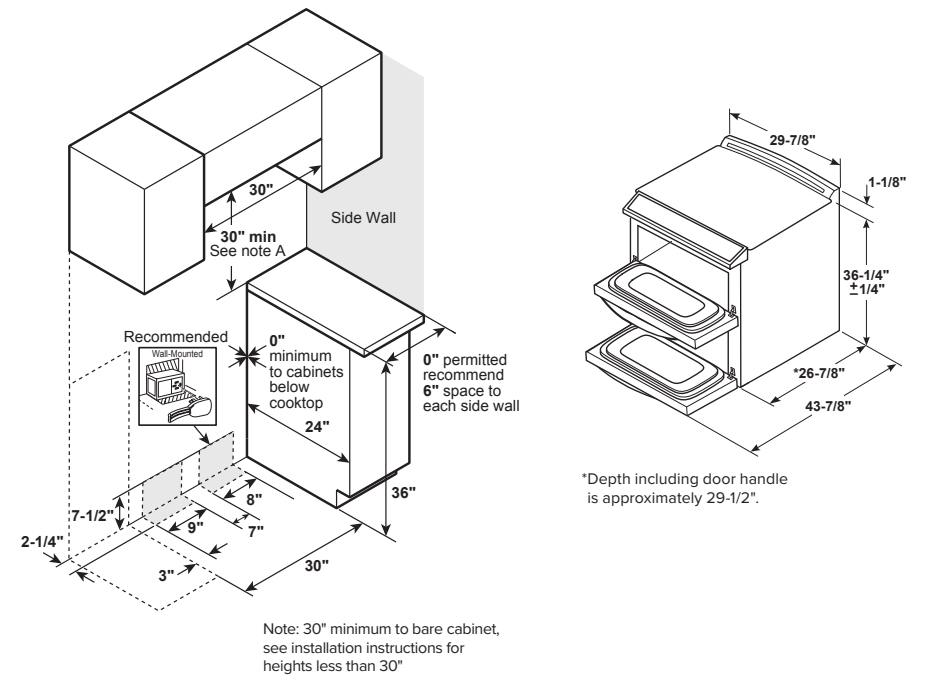
Electric Ranges

	CHS90XM2NS5 CHS90P2MS1 CHS90XP2MS1	CHS950P2MS1 CHS950P4MW2 CHS950P3MD1	CHS900M2NS5 CHS900P2MS1 CHS900P4MW2 CHS900P3MD1	CES750P2MS1 CES750P4MW2 CES750P3MD1	CES700M2NS5 CES700P2MS1 CES700P4MW2 CES700P3MD1
Claims & Certification	ADA Compliant; Star-K; UL; California Prop 65	ADA Compliant; Star-K; UL; California Prop 65	ADA Compliant; Star-K; UL; California Prop 65	ADA Compliant; Star-K; UL; California Prop 65	ADA Compliant; Star-K; UL; California Prop 65
FEATURES					
Capacity (cu. ft.) upper/lower	5.7	2.4/4.3	5.7	2.4/4.3	5.7
Cleaning system	Steam Clean	Self-clean with Steam Clean option	Self-clean with Steam Clean option	Self-clean with Steam Clean option	Self-clean with Steam Clean option
Cooking technology	True Convection with Precise Air	Upper: Traditional; Lower: True Convection with Precise Air	True Convection with Precise Air	Upper: Traditional Lower: True Convection with Precise Air	True European Convection with Precise Air
CONTROLS					
Certified Sabbath Mode	•	•	•	•	•
Control lock capability	•	•	•	•	•
Electronic oven controls	•	•	•	•	•
Delay bake	•	•	•	•	•
Digital temperature display	•	•	•	•	•
Hot surface lights	•	•	•	•	•
WiFi Connect	Built-in	Built-in	Built-in	Built-in	Built-in
Chef Connect	•	•	•	•	•
COOKTOP					
Element—left front	8" 2,500W Sync Element	8" 2,500W Sync Element	8" 2,500W Sync Element	8" 5" 1,900W	8" 5" 1,900W
Element—left rear	8" 2,500W Sync Element w/ Temp Sensor	8" 2,500W Sync Element	8" 2,500W Sync Element	8" 2,000W	8" 2,000W
Element—right front	11" 3,700W Power Boil	11" 3,700W Power Boil	11" 3,700W Power Boil	12" 9" 6" 3,600W Power Boil	12" 9" 6" 3,600W Power Boil
Element—right rear	6" 1,800W	6" 1,800W	6" 1,800W	6" 1,200W	6" 1,200W
Element—center	6" 100W Warming Zone	6" 100W Warming Zone	6" 100W Warming Zone	6" 100W Warming Zone	6" 100W Warming Zone
Melt	•	•	•		
OVEN					
Audible preheat signal	•	•	•	•	•
Auto Recipe Conversion	•	•	•	•	•
True Convection with Precise Air	•	•	•	•	•
No-preheat air fry	•*	•*	•*	•*	•*
Convection bake	•	•	•	•	•
Convection roast	•	•	•	•	•
Bake element	Hidden	Hidden	Hidden	Hidden	Hidden
Broil element	8-pass	Upper: 6-pass, lower: 8-pass	8-pass	Upper: 6-pass, lower: 8-pass	8-pass
Drawer	Warming		Warming		Storage
Fast preheat	•	•	•	•	•
In-oven camera	•*				
Interior oven light	1 incandescent	2 incandescent	1 incandescent	2 incandescent	1 incandescent
Proof mode	•	•	•	•	•
Warm mode	•	•	•	•	•
Temperature probe	•	•	•	•	•
Self-clean oven racks	•	•	•	•	•
Oven racks	1 roller rack, 2 heavy-duty	1 roller rack, 2 heavy-duty	1 roller rack, 2 heavy-duty	1 roller rack, 2 heavy-duty	1 roller rack, 2 heavy-duty
APPEARANCE					
Ceramic-glass cooktop	•	•	•	•	•
Color appearance	Platinum Stainless	Stainless Matte White Matte Black	Platinum Stainless Matte White Matte Black	Stainless Matte White Matte Black	Platinum Stainless Matte White Matte Black
Handle color	Brushed Stainless Brushed Stainless	Brushed Stainless Brushed Bronze Brushed Stainless	Brushed Stainless Brushed Stainless Brushed Bronze Brushed Stainless	Brushed Stainless Brushed Bronze Brushed Stainless	Brushed Stainless Brushed Stainless Brushed Bronze Brushed Stainless
Knobs—weighted	•	•	•	•	•
Knobs—color	Brushed Stainless Brushed Stainless	Brushed Stainless Brushed Bronze Brushed Stainless	Brushed Stainless Brushed Stainless Brushed Bronze Brushed Stainless	Brushed Stainless Brushed Bronze Brushed Stainless	Brushed Stainless Brushed Stainless Brushed Bronze Brushed Stainless
Oven interior	Black	Black	Black	Black	Black
WEIGHTS & DIMENSIONS					
Approx. shipping weight (lbs.)	221	256	256	267	226
Overall oven interior dimensions (WxHxD) (in.)	24-1/8 x 19-1/2 x 19-3/8	Upper: 24 x 10-1/8 x 19-1/8 Lower: 24 x 15 x 20-5/8	24 x 19-7/8 x 20-5/8	Upper: 24 x 10-1/8 x 19-1/8 Lower: 24 x 15 x 20-5/8	24 x 19-7/8 x 20-5/8
POWER / RATINGS					
Bake wattage	2,850W	Upper: 2,650W/Lower: 2,650W	2,850W	Upper: 2,650W/Lower: 2,650W	2,850W
Broil wattage	4,000W	Upper: 3,000W/Lower: 3,600W	4,000W	Upper: 3,000W/Lower: 3,600W	4,000W
Convection wattage	2,500W	2,500W	2,500W	2,500W	2,500W
Amp rating 240V/208V	40	40	40	40	40
KW rating 240V/208V	13.6/11.3	15.2/12.6	13.6/11.3	15.5/11.6	13.8/10.4
ACCESSORIES					
Optional kits**	CXFCHHKPMSS (Brushed Stainless) CXFCHHKPMBT (Brushed Black) CXFCHHKPMBZ (Brushed Bronze) CXFCHHKPMCU (Brushed Copper)	CXFCHHKPMSS (Brushed Stainless) CXFCHHKPMBT (Brushed Black) CXFCHHKPMBZ (Brushed Bronze) CXFCHHKPMCU (Brushed Copper)	CXFCHHKPMSS (Brushed Stainless) CXFCHHKPMBT (Brushed Black) CXFCHHKPMBZ (Brushed Bronze) CXFCHHKPMCU (Brushed Copper)	CXFCEHKPMSS (Brushed Stainless) CXFCEHKPMBT (Brushed Black) CXFCEHKPMBZ (Brushed Bronze) CXFCEHKPMCU (Brushed Copper)	CXFCEHKPMSS (Brushed Stainless) CXFCEHKPMBT (Brushed Black) CXFCEHKPMBZ (Brushed Bronze) CXFCEHKPMCU (Brushed Copper)
Trim kit	JXFILLRISS	JXFILLRISS	JXFILLRISS	JXFILLRISS	JXFILLRISS
Precision cooking probe	Optional	Optional	Optional		
Hestan Cue™ Smart Pan	Optional	Optional	Optional		
Hestan Cue Chef's Pot	•*	•*	•*		
Hestan Cue Sauce Pot	•*	•*	•*		

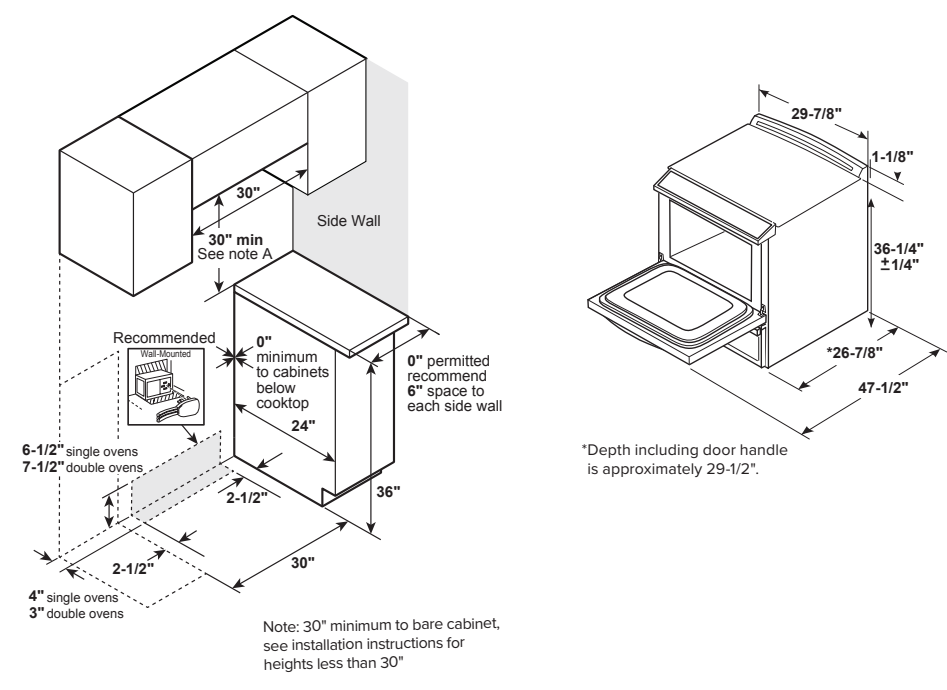
*WiFi-enabled feature.
**Not for use on Modern Glass models. (CHS90XM2NS5, CHS900M2NS5, CES700M2NS5).

DIMENSIONS AND INSTALLATION INFORMATION

MODELS CHS950, CES750



MODELS CHS90X, CHS900, CES700



Above illustrations intended for dimensional reference only. Refer to photography for actual product appearance. Visit CafeAppliances.com for complete specifications.

COOKING

Gas Ranges

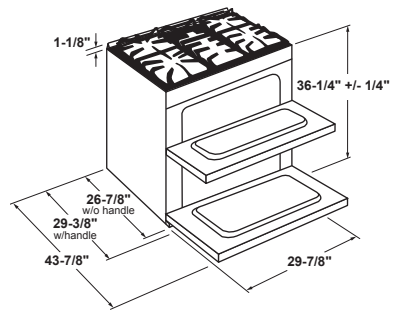
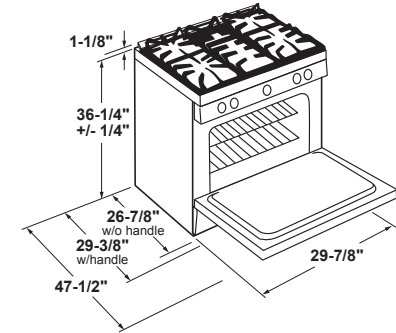
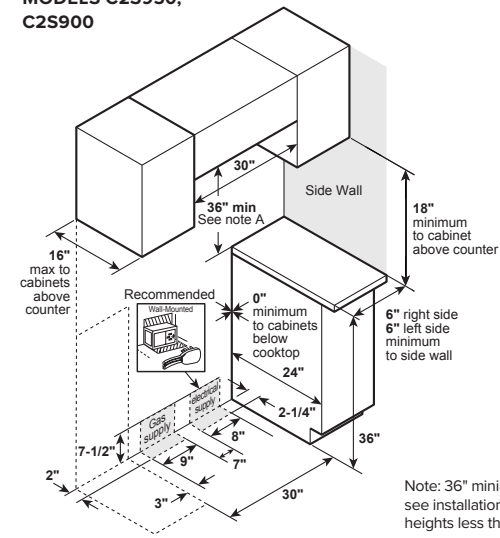
	C2S950M2NS5 C2S950P2MS1 C2S950P4MW2 C2S950P3MD1	C2S900P2MS1	CGS750P2MS1 CGS750P4MW2 CGS750P3MD1	CGS700M2NS5 CGS700P2MS1 CGS700P4MW2 CGS700P3MD1
Claims & Certification	ADA Compliant; CSA; Star-K; California Prop 65	ADA Compliant; CSA; Star-K; California Prop 65	ADA Compliant; CSA; Star-K; California Prop 65	ADA Compliant; CSA; Star-K; California Prop 65
FEATURES				
Capacity (cu. ft.) upper/lower	2.4/4.3	5.7	2.4/4.3	5.6
Cleaning system	Self-clean with Steam Clean option	Self-clean with Steam Clean option	Self-clean with Steam Clean option	Self-clean with Steam Clean option
Cooking Technology	Upper: Traditional/Lower: Convection	Convection	Upper: Traditional/Lower: Convection	Convection
CONTROLS				
Certified Sabbath Mode	•	•	•	•
Control lock capability	•	•	•	•
Electronic oven controls	•	•	•	•
Delay bake	•	•	•	•
Digital temperature display	•	•	•	•
Electronic clock and timer	•	•	•	•
Ignition	Electronic with Auto Reignition	Electronic with Auto Reignition	Electronic	Electronic
Self-clean latch	Automatic	Automatic	Automatic	Automatic
WiFi Connect	Built-in	Built-in	Built-in	Built-in
No-preheat air fry	*•	*•	*•	*•
Chef Connect	•	•	•	•
COOKTOP				
Burner—left front	21,000 BTU Tri-ring burner	21,000 BTU Tri-ring burner	21,000 BTU Tri-ring burner	21,000 BTU Tri-ring burner
Burner—left rear	5,000 BTU Precise Simmer	5,000 BTU Precise Simmer	5,000 BTU Precise Simmer	5,000 BTU Precise Simmer
Burner—right front	15,000 BTU	15,000 BTU	15,000 BTU	15,000 BTU
Burner—right rear	12,000 BTU	12,000 BTU	12,000 BTU	12,000 BTU
Burner—center	9,500 BTU front/9,500 BTU rear	9,500 BTU front/9,500 BTU rear	9,500 BTU front/9,500 BTU rear	9,500 BTU front/9,500 BTU rear
Cooktop burners	Sealed	Sealed	Sealed	Sealed
Deep-recessed cooktop	•	•	•	•
Grill/Griddle	Included, integrated cast-iron griddle	Included, integrated cast-iron griddle	Included, integrated cast-iron griddle	Included, integrated cast-iron griddle
Simmer	•	•	•	•
OVEN				
Audible preheat signal	•	•	•	•
Convection	•	•	•	•
Convection bake	•	•	•	•
Convection roast	•	•	•	•
Drawer		Warming		Storage
In-oven broiling	•	•	•	•
Interior oven light	2 interior oven lights	1 incandescent	2 interior oven lights	1 interior incandescent
Proof mode	•	•	•	•
Warm mode	•	•	•	•
Temperature probe	•	•	•	•
Self-clean oven racks	•	•	•	•
Oven racks	2 racks, 1 roller rack	2 racks, 1 roller rack	3 racks	3 racks
APPEARANCE				
Color Appearance	Platinum Stainless Matte White Matte Black	Stainless	Stainless Matte White Matte Black	Platinum Stainless Matte White Matte Black
Grates	Matte Black	Matte Black	Matte Black	Matte Black
Grate material	Cast-iron	Cast-iron	Cast-iron	Cast-iron
Handle Color	Brushed Stainless Brushed Stainless Brushed Bronze Brushed Stainless	Brushed Stainless	Brushed Stainless Brushed Bronze Brushed Stainless	Brushed Stainless Brushed Stainless Brushed Bronze Brushed Stainless
Handle Design	Cafe™ Minimal Cafe™ Pro Cafe™ Pro Cafe™ Pro	Cafe Pro	Cafe Pro Cafe Pro Cafe Pro	Cafe Minimal Cafe Pro Cafe Pro Cafe Pro
Knobs	Brushed Stainless Brushed Stainless Brushed Bronze Brushed Stainless	Brushed Stainless	Brushed Stainless Brushed Bronze Brushed Stainless	Brushed Stainless Brushed Stainless Brushed Bronze Brushed Stainless
Oven interior	Black	Black	Black	Black
WEIGHTS & DIMENSIONS				
Approx. shipping weight (lbs.)	291	244	256	244
Oven interior dimensions (WxHxD) (in.)	Upper: 24 x 10-1/8 x 19-1/8 Lower: 24 x 15 x 20-5/8	24 x 19-7/8 x 20-5/8	Upper: 24 x 9-1/8 x 19-1/8 Lower: 24 x 15 x 20-5/8	24 x 19-1/2 x 20-5/8
POWER / RATINGS				
Bake wattage/BTU	Upper: 2,650W/Lower: 2,650W	2,850W	Upper: 7,000 BTU/Lower: 14,000 BTU	16,000 BTU
Broil wattage/BTU	Upper: 3,000W/Lower: 3,600W	4,000W	Upper: N/A /Lower: 16,500 BTU	16,500 BTU
Burners (000's BTU) LP	(1) 18.0 Tri-ring; (1) 15.0; (1) 12.0; (2) 9.5; (1) 5.0	(1) 18.0 Tri-ring; (1) 15.0; (1) 12.0; (2) 9.5; (1) 5.0	(1) 18.0 Tri-ring; (1) 15.0; (1) 12.0; (2) 9.5; (1) 5.0	(1) 18.0 Tri-ring; (1) 15.0; (1) 12.0; (2) 9.5; (1) 5.0
Gas range electrical rating	208/240V/60Hz/30A	208/240V/60Hz/30A	120V/60Hz/15A	120V/60Hz/15A
LP conversion kit (included)	•	•	•	•
ACCESSORIES				
Optional kits**	CXFCGHKPMSS (Brushed Stainless) CXFCGHKPMBT (Brushed Black) CXFCGHKPMBZ (Brushed Bronze) CXFCGHKPMCU (Brushed Copper)	CXFCGHKPMSS (Brushed Stainless) CXFCGHKPMBT (Brushed Black) CXFCGHKPMBZ (Brushed Bronze) CXFCGHKPMCU (Brushed Copper)	CXFCGHKPMSS (Brushed Stainless) CXFCGHKPMBT (Brushed Black) CXFCGHKPMBZ (Brushed Bronze) CXFCGHKPMCU (Brushed Copper)	CXFCGHKPMSS (Brushed Stainless) CXFCGHKPMBT (Brushed Black) CXFCGHKPMBZ (Brushed Bronze) CXFCGHKPMCU (Brushed Copper)
Trim kit	Optional: JXFILLR1SS	Optional: JXFILLR1SS	Optional: JXFILLR1SS	Optional: JXFILLR1SS
Grill	Optional: JXCGRILL1	Optional: JXCGRILL1	Optional: JXCGRILL1	Optional: JXCGRILL1

*WiFi-enabled feature.
**Not for use on Modern Glass models (C2S950M2NS5, CGS700M2NS5).

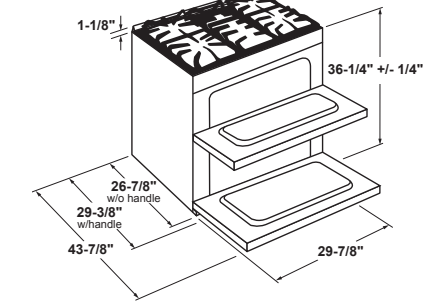
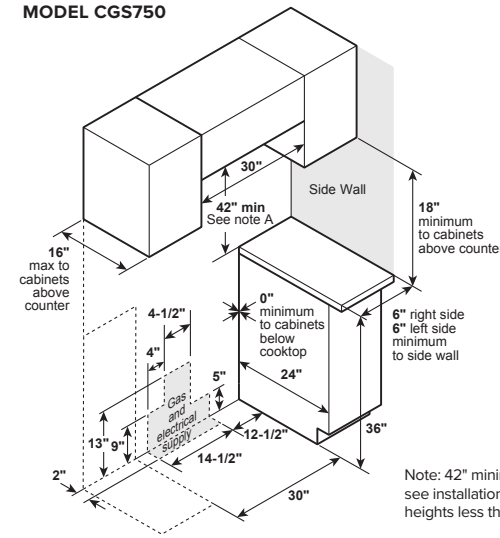
Visit CafeAppliances.com for complete specifications.

DIMENSIONS AND INSTALLATION INFORMATION

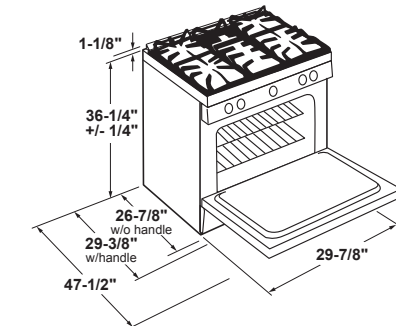
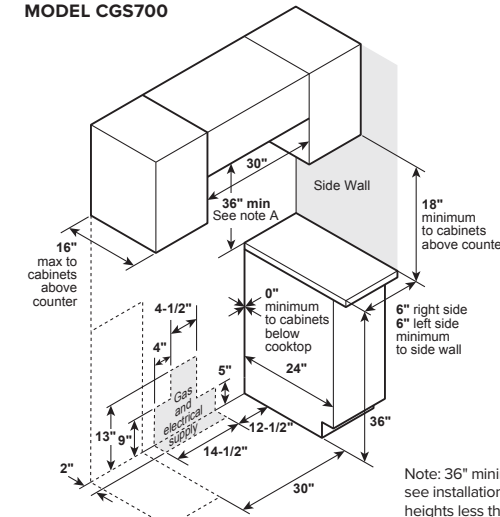
MODELS C2S950, C2S900



MODEL CGS750



MODEL CGS700



Above illustrations intended for dimensional reference only. Refer to photography for actual product appearance.

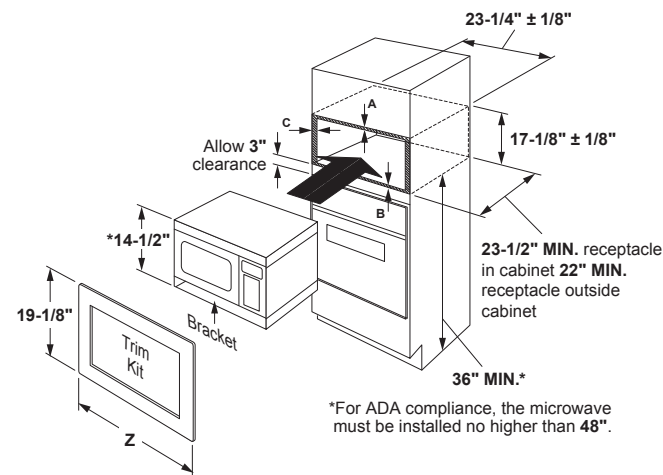
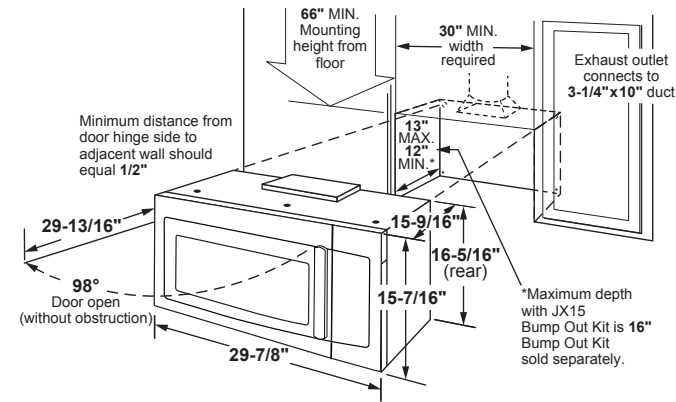
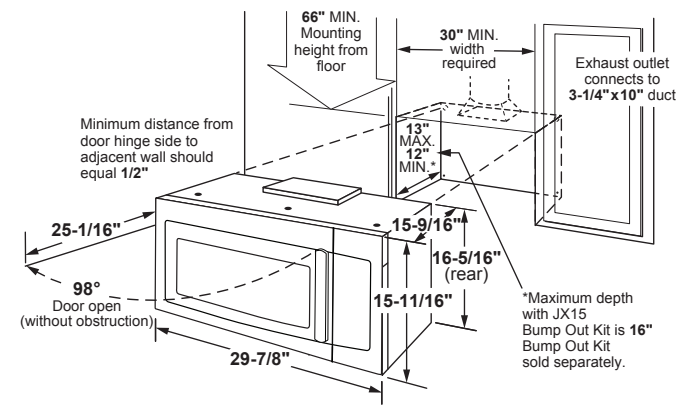


COOKING

Over-the-Range Microwave Ovens

	CVM721M2NS5	CVM521P2MS1	CVM517P2MS1 CVM517P4MW2 CVM517P3MD1
Claims & Certification	AHAM	California Prop 65 AHAM	California Prop 65 AHAM
FEATURES			
Capacity (cu. ft.)	2.1	2.1	1.7
Watts-microwave (IEC-705 test procedure)	1,000	1,000	950
WiFi Connect	Built-in		
CONTROLS			
Cook	•	•	•
Reheat	•	•	•
Popcorn	•	•	•
Steam Cook	•	•	•
Defrost	•	•	•
CONTROLS TOUCHPAD			
Add 30 seconds	•	•	•
Control lockout	•	•	•
Electronic touch controls	•	•	•
Mute On/Off		•	•
Convection Bake			•
Convection Roast			•
OVEN			
Interior/cooktop lighting	Halogen	Halogen	Halogen
Turntable	•	•	•
Turntable diameter (in.)	14.25	14.25	13.5
APPEARANCE			
Color appearance	Platinum	Stainless	Stainless Matte White Matte Black
Case color	Gray	Gray	Graphite Gray
Handle color		SS	Brushed Stainless Brushed Bronze Brushed Stainless
Handle design	Pocket	Café™ Pro	Café Pro
Oven interior	Gray	Gray	Stainless
Touchpad	Stainless	Dorian Gray	Dorian Gray
WEIGHTS & DIMENSIONS			
Approx. shipping weight	95	74	95
Overall oven interior dimensions (WxHxD) (in.)	21-15/16 x 11-5/8 x 14-9/16	21-15/16 x 11-5/8 x 14-9/16	21-5/8 x 9-3/4 x 14-1/4
POWER / RATINGS			
Exhaust vent fan	400-CFM	400-CFM	300-CFM
Input Volts/Hz	120V/60Hz	120V/60Hz	120V/60Hz
Electrical input 120V Amperage	15	15	13
Electrical input 120V Watts	1,700	1,700	1,500
ACCESSORIES			
Optional kits		CXOTRHKPMSS (Brushed Stainless) CXOTRHKPMBZ (Brushed Bronze) CXOTRHKPMBT (Brushed Black) CXOTRHKPMCU (Brushed Copper)	
Optional side filler panel kit	JX36B	JX36B	JX36B
Recirculating charcoal filter kit included	WB06X10807	WB06X10807	WB06X10807

DIMENSIONS AND INSTALLATION INFORMATION (IN INCHES)



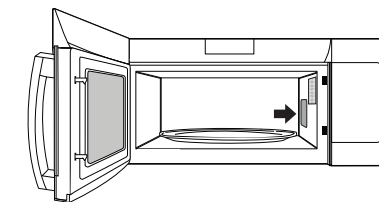
CABINET OVERLAP REQUIREMENTS	30"	27"
A - Overlap of trim kit over top of cabinet	1"	1"
B - Overlap of trim kit over bottom of cabinet	1"	1"
C - Overlap of trim kit over sides of cabinet	3-5/16"	1-7/8"

NOTE:
Allow an additional inch of clearance beyond trim frame on all sides.

Above illustrations intended for dimensional reference only. Refer to photography for actual product appearance.

Countertop Microwave Ovens

	CEB515M2RS5 CEB515P2RSS CEB515P4RWM CEB515P3RDS
Claims & Certification	ADA Compliant California Prop 65
CAPACITY	
Capacity (cu. ft.)	1.5
FEATURES	
Watts (IEC-705 test procedure)	1,000
WiFi Connect	Built-in
Scan-to-cook technology	•
Electronic touch controls	•
Scrolling display with help	•
Electronic digital display with clock	•
Display On/Off	•
Convection/ Microwave	Bake Roast Combination
Sensor cooking controls	Popcorn Beverage Reheat Cook
Express Cook	1-6 min.
Warming control	•
Instant On controls	•
Time Cook	I & II
Auto/Time Defrost	•
Power levels	10
Turntable	Recessed
Turntable diameter (in.)	13.5
Timer On/Off	•
Cooking complete reminder	•
Control lockout	•
CONTROLS TOUCHPAD	
Add 30 seconds	•
Auto Bake	•
Auto Roast	•
Broil	•
Convection Bake	•
Convection Roast	•
Cook time	•
Mute On/Off	•
Warm	•
APPEARANCE	
Color appearance	Platinum Stainless Matte White Matte Black
Case color	Black
WEIGHTS & DIMENSIONS	
Approx. shipping weight	44
Overall oven exterior dimensions (WxHxD) (in.)	21-3/4 x 13 x 20
Overall oven interior dimensions (WxHxD) (in.)	15-1/2 x 10-7/8 x 15-1/2
POWER / RATINGS	
Input Volts/Hz	120V/60Hz
Electrical Input—120V Amps	13
Electrical Input—120V Watts	1,500



The wave guide cover is a thin specialized sheet consisting of mica material which covers the outlet where microwaves are emitted for cooking. Microwaves pass freely through this cover while it prevents steam and food particles from entering the magnetron area during cooking. **This cover is not to be removed or altered.** Doing so may void the product's warranty.

Location of wave guide cover will vary per model.

Above illustrations intended for dimensional reference only. Refer to photography for actual product appearance.

CAFÉ PARTS & ACCESSORIES

REFRIGERATION	PART NUMBER
Built-In Bottom-Freezer Refrigeration Handle Kit—Brushed Black	CXSB2H2PPBT
Built-In Bottom-Freezer Refrigeration Handle Kit—Brushed Bronze	CXSB2H2PPBZ
Built-In Bottom-Freezer Refrigeration Handle Kit—Brushed Copper	CXSB2H2PPCU
22, 23, and 28 Cu. Ft. 3-Door Bottom-Freezer Handle Kit—Brushed Black	CXLB3H3PMBT
22, 23, and 28 Cu. Ft. 3-Door Bottom-Freezer Handle Kit—Brushed Bronze	CXLB3H3PMBZ
22, 23, and 28 Cu. Ft. 3-Door Bottom-Freezer Handle Kit—Brushed Copper	CXLB3H3PMCU
22, 23, and 28 Cu. Ft. 3-Door Bottom-Freezer Handle Kit—Brushed Stainless	CXLB3H3PMSS
19 Cu. Ft. Bottom-Freezer Handle Kit—Brushed Black	CXMA3H3PNBT
19 Cu. Ft. Bottom-Freezer Handle Kit—Brushed Bronze	CXMA3H3PNBZ
19 Cu. Ft. Bottom-Freezer Handle Kit—Brushed Copper	CXMA3H3PNCU
19 Cu. Ft. Bottom-Freezer Handle Kit—Brushed Stainless	CXMA3H3PNSS
26 Cu. Ft. Bottom-Freezer Handle Kit—Brushed Black	CXMB3H3PNBT
26 Cu. Ft. Bottom-Freezer Handle Kit—Brushed Bronze	CXMB3H3PNBZ
26 Cu. Ft. Bottom-Freezer Handle Kit—Brushed Copper	CXMB3H3PNCU
26 Cu. Ft. Bottom-Freezer Handle Kit—Brushed Stainless	CXMB3H3PNSS
Counter-Depth SxS Handle Kit—Brushed Black	CXMS2H2PNBT
Counter-Depth SxS Handle Kit—Brushed Bronze	CXMS2H2PNBZ
Counter-Depth SxS Handle Kit—Brushed Copper	CXMS2H2PNCU
Counter-Depth SxS Handle Kit—Brushed Stainless	CXMS2H2PNSS
4-Door Bottom-Freezer Handle Kit—Brushed Black	CXQB4H4PNBT
4-Door Bottom-Freezer Handle Kit—Brushed Bronze	CXQB4H4PNBZ
4-Door Bottom-Freezer Handle Kit—Brushed Copper	CXQB4H4PNCU
4-Door Bottom-Freezer Handle Kit—Brushed Stainless	CXQB4H4PNSS
Matte White Refrigerator Panel—Right Side, Full Depth	CKLBR5FNW2
Matte White Refrigerator Panel—Left Side, Full Depth	CKLBL5FNW2
Matte White Refrigerator Panel—Right Side, Counter-Depth	CKLBR5CNW2
Matte White Refrigerator Panel—Left Side, Counter-Depth	CKLBL5CNW2
Matte White Refrigerator Panel—Right Side, Multi-Door	CKQBR5FNW2
Matte White Refrigerator Panel—Left Side, Multi-Door	CKQBL5FNW2
Undercounter Refrigeration Handle Kit—Brushed Black	CXQD2H2PNBT
Undercounter Refrigeration Handle Kit—Brushed Bronze	CXQD2H2PNBZ
Undercounter Refrigeration Handle Kit—Brushed Copper	CXQD2H2PNCU
Undercounter Refrigeration Handle Kit—Brushed Stainless	CXQD2H2PNSS
Wine/Beverage Center Handle Kits—Brushed Black	CXQW1H1PPBT
Wine/Beverage Center Handle Kits—Brushed Bronze	CXQW1H1PPBZ
Wine/Beverage Center Handle Kits—Brushed Copper	CXQW1H1PPCU
Wine/Beverage Center Handle Kits—Brushed Stainless	CXQW1H1PPSS
Built-In SxS Handle Kit—Brushed Black	CXSS2H2PMBT
Built-In SxS Handle Kit—Brushed Bronze	CXSS2H2PMBZ
Built-In SxS Handle Kit—Brushed Copper	CXSS2H2PMCU
Built-In SxS Handle Kit—Brushed Stainless	CXSS2H2PMSS
Ice Maker Handle Kit—Brushed Black	CXXN1H1PNBT
Ice Maker Handle Kit—Brushed Bronze	CXXN1H1PNBZ
Ice Maker Handle Kit—Brushed Copper	CXXN1H1PNCU
Ice Maker Handle Kit—Brushed Stainless	CXXN1H1PNSS
Ice Maker Door Kit—Stainless	CIP75S1
Ice Maker Door Kit—Matte White	CIP75W2
Ice Maker Door Kit—Matte Black	CIP75D1
Drain Pump Kit	UPK3
Ice Cube Tray	WR30X311
Odor Filter Cartridge (2pk)	ODORFILTER

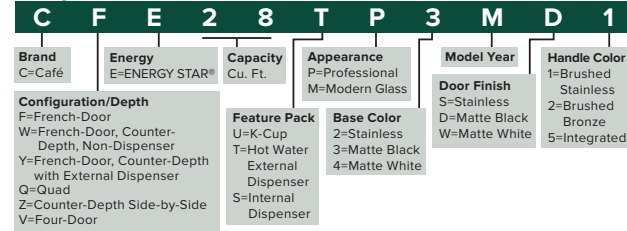
COOKING	
30" Double Wall Oven Handles (2)—Brushed Black	CXWD0H0PMBT
30" Double Wall Oven Handles (2)—Brushed Bronze	CXWD0H0PMBZ
30" Double Wall Oven Handles (2)—Brushed Copper	CXWD0H0PMCU
30" Double Wall Oven Handles (2)—Brushed Stainless	CXWD0H0PMSS
27" Handles (2)—Brushed Black	CXWD7H0PNBT
27" Handles (2)—Brushed Bronze	CXWD7H0PNBZ
27" Handles (2)—Brushed Copper	CXWD7H0PNCU
27" Handles (2)—Brushed Stainless	CXWD7H0PNSS
French-Door Handles (2); 30" Handle (1); Knobs (4)—Brushed Black	CXWDFHKPMBT
French-Door Handles (2); 30" Handle (1); Knobs (4)—Brushed Bronze	CXWDFHKPMBZ
French-Door Handles (2); 30" Handle (1); Knobs (4)—Brushed Copper	CXWDFHKPMCU
French-Door Handles (2); 30" Handle (1); Knobs (4)—Brushed Stainless	CXWDFHKPMSS
30" Single Wall Oven Handle—Brushed Black	CXWS0H0PMBT
30" Single Wall Oven Handle—Brushed Bronze	CXWS0H0PMBZ
30" Single Wall Oven Handle—Brushed Copper	CXWS0H0PMCU
30" Single Wall Oven Handle—Brushed Stainless	CXWS0H0PMSS
27" Wall Oven/Advantium® Oven Pro Handle Kit—Brushed Black	CXWS7H0PNBT
27" Wall Oven/Advantium Oven Pro Handle Kit—Brushed Bronze	CXWS7H0PNBZ
27" Wall Oven/Advantium Oven Pro Handle Kit—Brushed Copper	CXWS7H0PNCU
27" Wall Oven/Advantium Oven Pro Handle Kit—Brushed Stainless	CXWS7H0PNSS
French-Door Handles (2); Knobs (2)—Brushed Black	CXWSFHKPMBT
French-Door Handles (2); Knobs (2)—Brushed Bronze	CXWSFHKPMBZ
French-Door Handles (2); Knobs (2)—Brushed Copper	CXWSFHKPMCU
French-Door Handles (2); Knobs (2)—Brushed Stainless	CXWSFHKPMSS
Electric Cooktop Knobs (5)—Brushed Black	CXCE1HKPMBT
Electric Cooktop Knobs (5)—Brushed Bronze	CXCE1HKPMBZ
Electric Cooktop Knobs (5)—Brushed Copper	CXCE1HKPMCU
Electric Cooktop Knobs (5)—Brushed Stainless	CXCE1HKPMSS
Gas Cooktop Knobs (5)—Brushed Black	CXCG1K0PMBT
Gas Cooktop Knobs (5)—Brushed Bronze	CXCG1K0PMBZ
Gas Cooktop Knobs (5)—Brushed Copper	CXCG1K0PMCU
Gas Cooktop Knobs (5)—Brushed Stainless	CXCG1K0PMSS
Front Control Induction Knobs and Handles—Brushed Black	CXFCHHKPMBT
Front Control Induction Knobs and Handles—Brushed Bronze	CXFCHHKPMBZ
Front Control Induction Knobs and Handles—Brushed Copper	CXFCHHKPMCU
Front Control Induction Knobs and Handles—Brushed Stainless	CXFCHHKPMSS
Front Control Electric Knobs and Handles—Brushed Black	CXFCEHKPMBT
Front Control Electric Knobs and Handles—Brushed Bronze	CXFCEHKPMBZ
Front Control Electric Knobs and Handles—Brushed Copper	CXFCEHKPMCU
Front Control Electric Knobs and Handles—Brushed Stainless	CXFCEHKPMSS
Front Control Gas Knobs and Handles—Brushed Black	CXFCGHKPMBT
Front Control Gas Knobs and Handles—Brushed Bronze	CXFCGHKPMBZ
Front Control Gas Knobs and Handles—Brushed Copper	CXFCGHKPMCU
Front Control Gas Knobs and Handles—Brushed Stainless	CXFCGHKPMSS
Free-Standing Gas Knobs and Handles—Brushed Black	CXFSGHKPMBT
Free-Standing Gas Knobs and Handles—Brushed Bronze	CXFSGHKPMBZ
Free-Standing Gas Knobs and Handles—Brushed Copper	CXFSGHKPMCU

36" Commercial-Style Range and Rangetop Handle & Knob Set—Brushed Black	CXPR6HKPTBT
36" Commercial-Style Range and Rangetop Handle & Knob Set—Brushed Bronze	CXPR6HKPTBZ
36" Commercial-Style Range and Rangetop Handle & Knob Set—Brushed Copper	CXPR6HKPTCU
36" Commercial-Style Range and Rangetop Handle & Knob Set—Brushed Stainless	CXPR6HKPTSS
48" Commercial-Style Range and Rangetop Handle & Knob Set—Brushed Black	CXPR8HKPTBT
48" Commercial-Style Range and Rangetop Handle & Knob Set—Brushed Bronze	CXPR8HKPTBZ
48" Commercial-Style Range and Rangetop Handle & Knob Set—Brushed Copper	CXPR8HKPTCU
48" Commercial-Style Range and Rangetop Handle & Knob Set—Brushed Stainless	CXPR8HKPTSS
30" Customizable Pro Collection Electric and Dual Fuel Optional Roller Rack	WB48X20990
30" Customizable Pro Collection and Modern Glass Gas Optional Roller Rack	WB48X21543
30" Modern Glass Collection Electric Single Oven Optional Roller Rack	WB48X20881
OTR Microwave Accessory Kit—Brushed Black	CXOTRHKPMBT
OTR Microwave Accessory Kit—Brushed Bronze	CXOTRHKPMBZ
OTR Microwave Accessory Kit—Brushed Copper	CXOTRHKPMCU
OTR Microwave Accessory Kit—Brushed Stainless	CXOTRHKPMSS
30" Never-Scrub, Heavy-Duty Roller Rack	UXWORXR30
27" Never-Scrub, Heavy-Duty Roller Rack	UXWORXR27
Stainless Steel Aluminum-Clad Griddle for Induction Cooktops	JXGRIDL1
30" Cast-Iron Griddle for Gas Cooktops	JXGRIDL230
36" Cast-Iron Griddle for Gas Cooktops	JJXGRIDL236
Hestan Cue™ 11" Smart Pan	WB32X32079
Chantal® Tri-Ply Griddle with Stainless Steel Surface	WB32X32285
Chantal® 8-Qt. Stockpot with Custom Stainless "Cutout" Lid for Sous Vide Probe	WB32X32286
Chantal® 9-Piece Stainless Steel Cookware	WB02X30447
Chantal® 10" Ceramic-Coated Nonstick Fry Pan	WB32X32288
Chantal® 8" Ceramic-Coated Nonstick Fry Pan	WB32X32287
Sous Vide Cooking Probe	JXPROBE1
Slide-In Range Filler Kit	JXFILLR1SS/BB CX10DC9SPSS CX12DC9SPSS
Hood Duct Cover Extension—Stainless	CX10DC9SPWM CX12DC9SPWM CX10DC9SPDS CX12DC9SPDS
Hood Duct Cover Extension—Matte White	UXDC732MSS
Hood Duct Cover Extension—Matte Black	UXDC734MWM
10' Duct Cover—Stainless	UXDC733MDS
10' Duct Cover—Matte White	JXCF71
10' Duct Cover—Matte Black	CX152M2NS5
Range Hood Charcoal Filter	CX153M2NS5
27" Modern Glass Collection Built-In Trim Kit	CX152P2MSS
30" Modern Glass Collection Built-In Trim Kit	CX152P4MWM
27" Professional Collection Built-In Trim Kit—Stainless	CX152P3MDS
27" Professional Collection Built-In Trim Kit—Matte White	CX153P2MSS
27" Professional Collection Built-In Trim Kit—Matte Black	CX153P4MWM
30" Professional Collection Built-In Trim Kit—Stainless	CX153P3MDS
30" Professional Collection Built-In Trim Kit—Matte White	CXPR6TKPMSS
30" Professional Collection Built-In Trim Kit—Matte Black	CXPR6TKPMWS
36" Commercial-Style Range Toe Kick—Stainless	CXPR6TKPMDS
36" Commercial-Style Range Toe Kick—Matte White	
36" Commercial-Style Range Toe Kick—Matte Black	

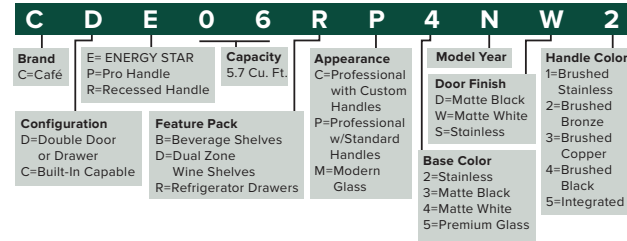
DISHWASHERS	
Dishwasher Handle Kit—Brushed Black	CXADTH1PMBT
Dishwasher Handle Kit—Brushed Bronze	CXADTH1PMBZ
Dishwasher Handle Kit—Brushed Copper	CXADTH1PMCU
Dishwasher Handle Kit—Brushed Stainless	CXADTH1PMSS
Power Cord for Built-In Dishwasher Installation	GPFCORD

Nomenclatures

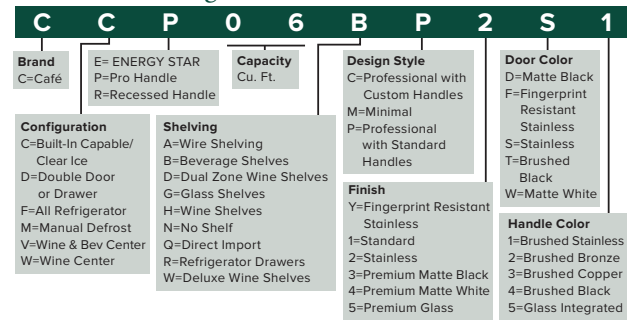
Refrigeration



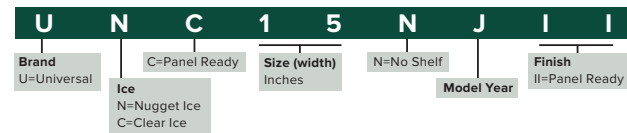
Built-In Refrigerator Drawers



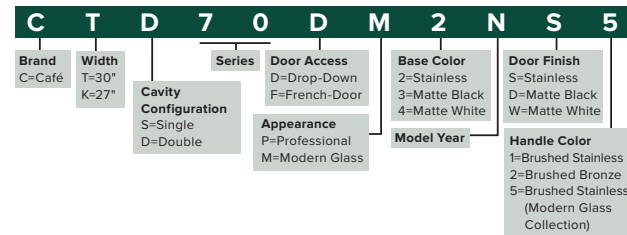
Wine and Beverage Centers



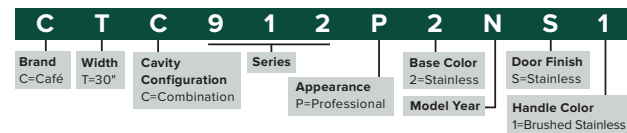
Undercounter Ice Makers



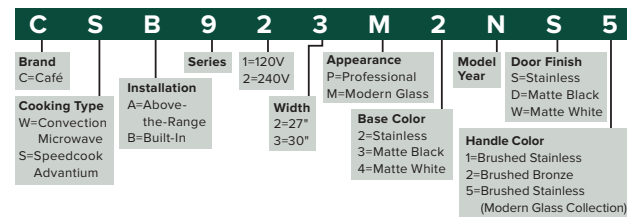
Built-In Wall Ovens



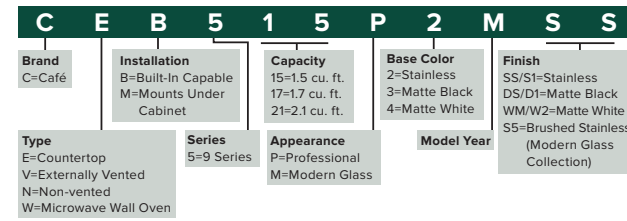
Built-In Combination Oven



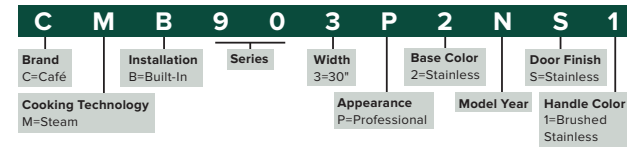
Advantium® Ovens



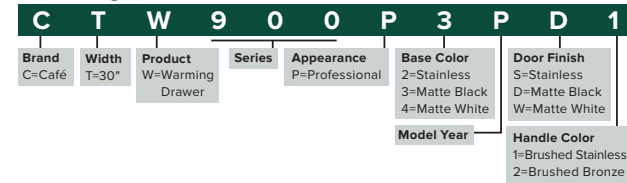
Microwave Ovens



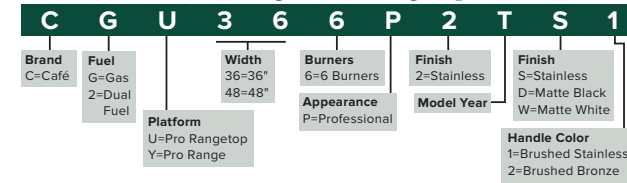
Built-In Steam Oven



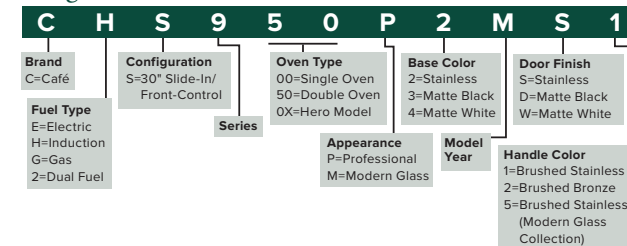
Warming Drawers



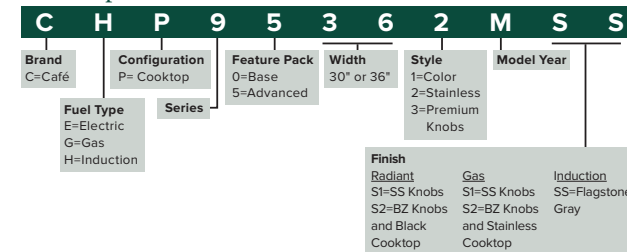
Commercial-Style Ranges and Rangetops



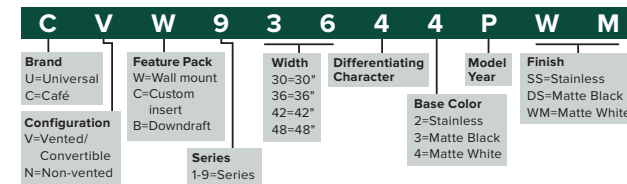
Ranges



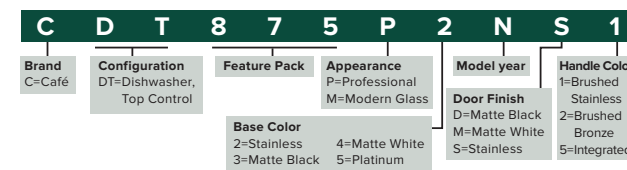
Cooktops



Ventilation



Dishwashers



Build the kitchens homeowners love.

Café™ is honored to be recognized with GE Appliances as the #1 Most-Used Appliance Brand Among Builders for both kitchen and laundry.* We look forward to strengthening our relationships within the building community for years to come.

See how we go the extra mile for builders at GEAppliances.com/pro.



CafeAppliances.com

@cafeappliances

