

# 30" Downdraft

800 Series Downdraft – HDD80051UC



**BOSCH**  
Invented for life



**HDD80051UC**  
Stainless Steel

**Sleek, built-in, and retracts out of sight. Bosch 30" Downdraft's flexible design seamlessly integrates into your kitchen**

## Features & Benefits

Beautifully designed to preserve clean sight lines when not in use

Sleek front panel filter design acts as a guard against splatters

6 exhaust connections possible (transition sold separately)

Recirculation kit for sale for use in non ducted applications\*

## General Properties

Operating mode	Convertible: ducted / recirculating
Maximum CFM	Blower sold separately
Number of speed settings	3-stage
Motor location	External
Damper included	No
Grease filter material	Aluminum
Grease filter type	Multilayer cassette
Duct direction	Front, Left, Right, Rear, Down
Optional blower required	Yes (600 CFM options sold separately)

## Technical Details

Volts (V)	120 V
Frequency (Hz)	60 Hz
Plug type	120V-3 prong
Power cord length (in.)	30"

## Dimensions & Weight

Overall appliance dimensions (width of canopy included) (HxWxD) (in.)	29 <sup>3</sup> / <sub>8</sub> " x 31" x 2 <sup>3</sup> / <sub>4</sub> "
Height of the rise (in.)	12"
Diameter of air duct (in.) internal	8"
Diameter of air duct (in.) external	6" or 8"
Net weight (lbs)	37 lbs

## Accessories – Required

Blower (sold separately)

## Accessories – Transitions & Blowers

6" side / rear / downward transition	HDDSTRAN6
8" side / rear / downward transition	HDDSTRAN8

**NOTE:** HDDSTRAN6 or HDDSTRAN8 required for side, rear or downward exhaust applications with inline and remote blowers.

6" round front plate	HDDFTRAN6
8" round front plate	HDDFTRAN8

**NOTE:** HDDFTRAN6 or HDDFTRAN8 required for front exhaust applications with inline and remote blowers.

Transition for rectangular duct	HDDSTRAN2
2' rectangular duct	HDD2RECTD

**NOTE:** HDDSTRAN2 needed to attach HDD2RECTD to downdraft. For use with installation of inline or remote blower applications.

600 CFM flexible blower	DHG602DUC
600 CFM inline blower	DHI1FZUC
600 CFM remote blower	DHR1FZUC

## Accessories – Optional

Recirculation kit (compatible with electric, induction and FlameSelect Gas Cooktops)	HDDREC5UC
Charcoal filter replacement for recirculation kit	HDDFILTUC
30" gas cooktop seal kit for downdraft (required for installation with gas cooktops)	HDDORSP
Trim kit for 30" FlameSelect® gas cooktops	HDDTRIM30S



\*Recirculation kit is not compatible with gas cooktop installations with downdraft

**Accessories:** To purchase Bosch accessories, cleaners & parts please visit [www.bosch-home.com/us/store](http://www.bosch-home.com/us/store) or call 1-800-944-2904 (Mon to Fri 5 am to 6 pm PST, Sat 6 am to 3 pm PST).

**Notes:** All height, width and depth dimensions are shown in inches. BSH reserves the absolute and unrestricted right to change product materials and specifications, at any time, without notice. Consult the product's installation instructions for final dimensional data and other details prior to making cutout.

**Warranties:** Please see Use & Care manual or Bosch website for statement of limited warranty.

**For more information on our entire line of products, go to [www.bosch-home.com/us](http://www.bosch-home.com/us) or call 1-800-944-2904**

© BSH Home Appliances Corporation. All rights reserved. Bosch is a registered trademark of Robert Bosch GmbH.

# 30" Downdraft

800 Series Downdraft – HDD80051UC



**BOSCH**  
Invented for life

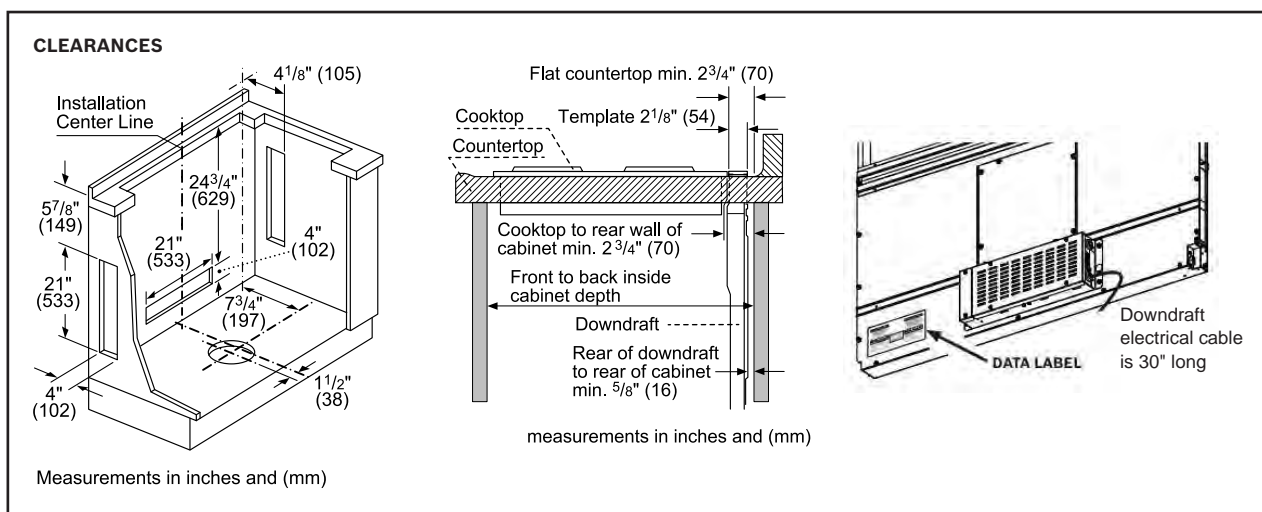
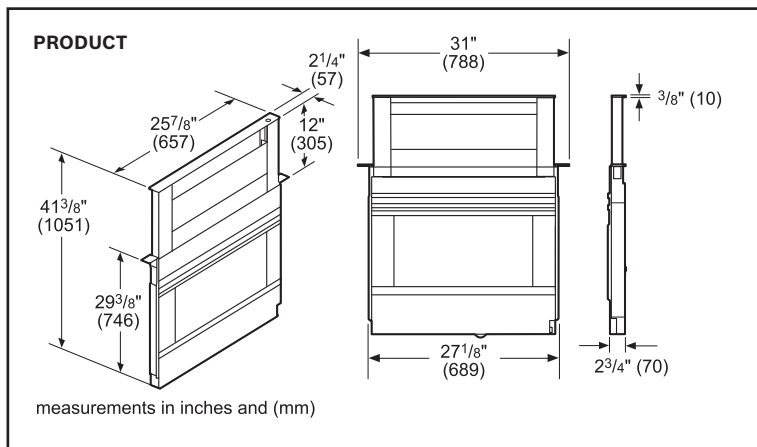


## HVI Performance Values (CFM & Sones)

Downdraft HDD80051UC with Blower DHG602DUC						
Exhaust	Duct Size	Required Accessories	CFM		Sones	
			High Speed	Working Speed	High Speed	Working Speed
Front	8" Round	None	380	160	12.0	2.0
Left	8" Round	Optional Adapter Model: HDDSTRAN8	360	150	11.0	2.5
Right	8" Round	Optional Adapter Model: HDDSTRAN8	350	140	11.0	1.4
Rear	8" Round	Optional Adapter Model: HDDSTRAN8	360	150	10.0	1.5
Bottom	8" Round	Optional Adapter Model: HDDSTRAN8	370	150	11.0	1.5

Note: High speed CFM tested at 0.1" w.g. of static pressure

## Installation Details



**Accessories:** To purchase Bosch accessories, cleaners & parts please visit [www.bosch-home.com/us/store](http://www.bosch-home.com/us/store) or call 1-800-944-2904 (Mon to Fri 5 am to 6 pm PST, Sat 6 am to 3 pm PST).

**Notes:** All height, width and depth dimensions are shown in inches. BSH reserves the absolute and unrestricted right to change product materials and specifications, at any time, without notice. Consult the product's installation instructions for final dimensional data and other details prior to making cutout.

**Warranties:** Please see Use & Care manual or Bosch website for statement of limited warranty.

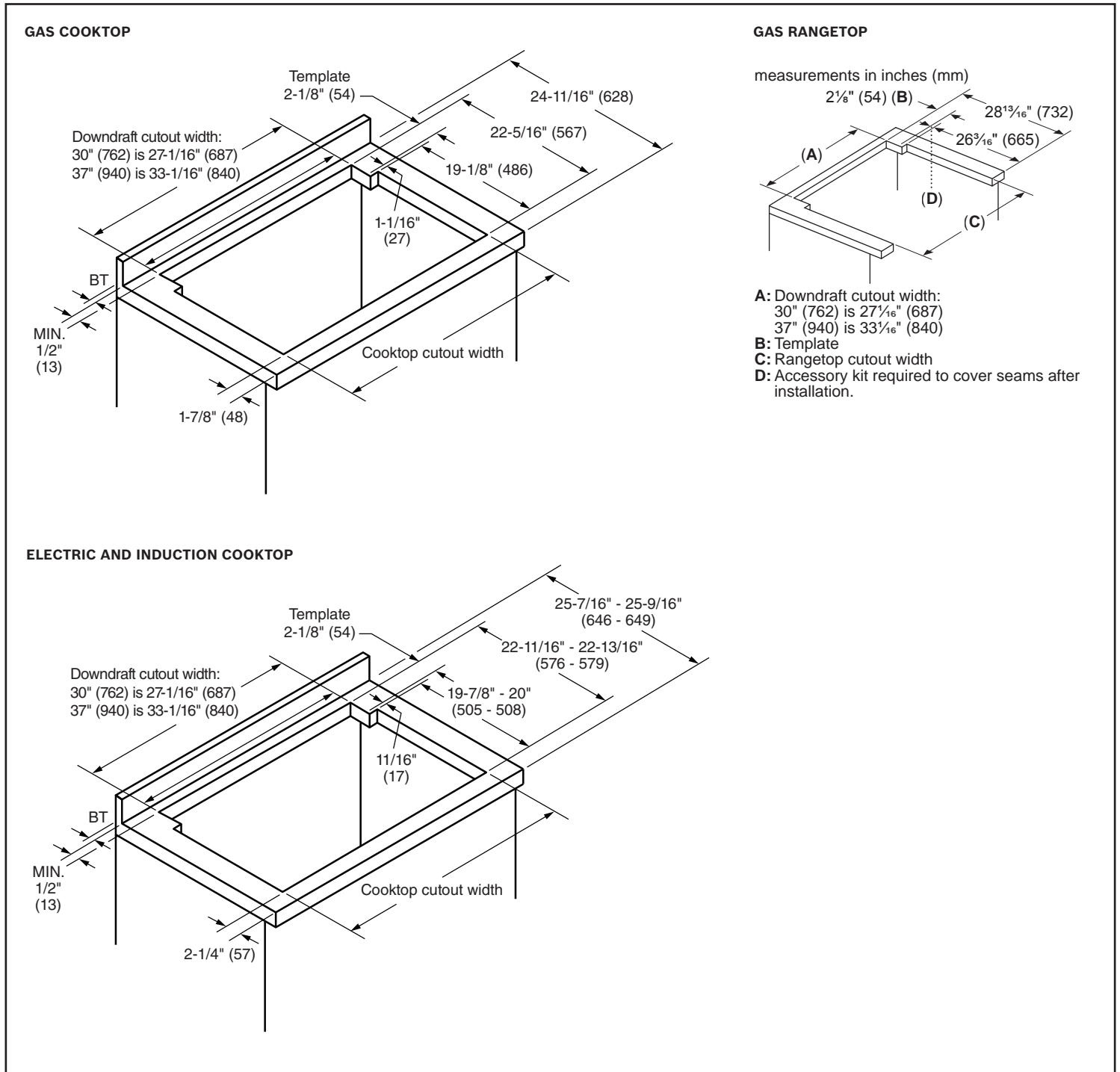
**For more information on our entire line of products, go to [www.bosch-home.com/us](http://www.bosch-home.com/us) or call 1-800-944-2904**

© BSH Home Appliances Corporation. All rights reserved. Bosch is a registered trademark of Robert Bosch GmbH.

# 30" Downdraft

800 Series Downdraft – HDD80051UC

## Installation Details – Cutouts



**Accessories:** To purchase Bosch accessories, cleaners & parts please visit [www.bosch-home.com/us/store](http://www.bosch-home.com/us/store) or call 1-800-944-2904 (Mon to Fri 5 am to 6 pm PST, Sat 6 am to 3 pm PST).

**Notes:** All height, width and depth dimensions are shown in inches. BSH reserves the absolute and unrestricted right to change product materials and specifications, at any time, without notice. Consult the product's installation instructions for final dimensional data and other details prior to making cutout.

**Warranties:** Please see Use & Care manual or Bosch website for statement of limited warranty.

**For more information on our entire line of products, go to [www.bosch-home.com/us](http://www.bosch-home.com/us) or call 1-800-944-2904**

© BSH Home Appliances Corporation. All rights reserved. Bosch is a registered trademark of Robert Bosch GmbH.

# 30" Downdraft

800 Series Downdraft – HDD80051UC



**BOSCH**  
Invented for life

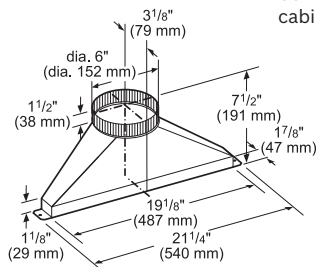
## Accessories – Transitions

### SIDE / REAR / DOWNWARD TRANSITION FOR DOWNDRAFT



#### HDDSTRAN6

6" Side / Rear / Downward Transition for Downdraft



measurements in inches (mm)

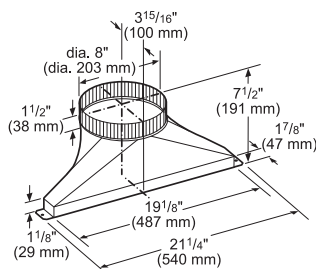
6" Round transition enable ducting to be at sides, rear or below downdraft for flexible configurations to maximize your kitchen design

- ▶ Flexible transition design allows for left, right, rear or downward venting
- ▶ Front rough-in plate may be used with a 6" round duct or elbow
- ▶ Ability to use with DHI1FZUC inline and DHR1FZUC remote blowers
- ▶ Some blower positions may need deeper cabinets. See installation guide.



#### HDDSTRAN8

8" Side / Rear / Downward Transition for Downdraft



measurements in inches (mm)

8" Round transition enable ducting to be at sides, rear or below downdraft for flexible configurations to maximize your kitchen design

- ▶ Flexible transition design allows for left, right, rear or downward venting
- ▶ For DHG602DUC flexible downdraft blower used as inline installation
- ▶ Some blower positions may need deeper cabinets. See installation guide.

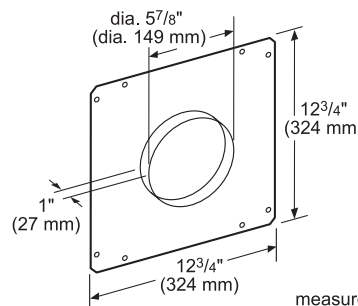
**NOTE:** HDDSTRAN6 or HDDSTRAN8 side / rear / downward transition required for side, rear or downward exhaust applications with inline and remote blowers.

### ROUND FRONT PLATES FOR DOWNDRAFT



#### HDDFTRAN6

6" Round Front Plate for Downdraft



measurements in inches (mm)

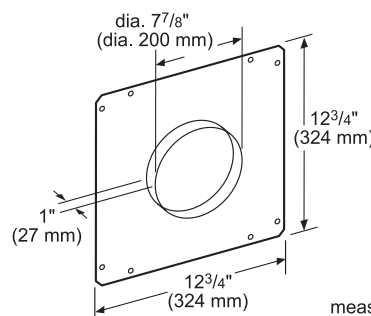
6" Front rough-in plate enable ducting to be at front of downdraft, for use with inline and remote blower applications

- ▶ Front rough-in plate design allows for front venting
- ▶ Front rough-in plate may be used with a 6" round duct or elbow
- ▶ Ability to use with DHI1FZUC inline and DHR1FZUC remote blowers



#### HDDFTRAN8

8" Round Front Plate for Downdraft



measurements in inches (mm)

8" Front rough-in plate enable ducting to be at front of downdraft, for use with inline and remote blower applications

- ▶ Front rough-in plate design allows for front venting
- ▶ Front rough-in plate may be used with a 8" round duct or elbow
- ▶ For DHG602DUC flexible downdraft blower used as inline installation

**NOTE:** HDDFTRAN6 or HDDFTRAN8 front plate required for front exhaust applications with inline and remote blowers.

**Accessories:** To purchase Bosch accessories, cleaners & parts please visit [www.bosch-home.com/us/store](http://www.bosch-home.com/us/store) or call 1-800-944-2904 (Mon to Fri 5 am to 6 pm PST, Sat 6 am to 3 pm PST).

**Notes:** All height, width and depth dimensions are shown in inches. BSH reserves the absolute and unrestricted right to change product materials and specifications, at any time, without notice. Consult the product's installation instructions for final dimensional data and other details prior to making cutout.

**Warranties:** Please see Use & Care manual or Bosch website for statement of limited warranty.

**For more information on our entire line of products, go to [www.bosch-home.com/us](http://www.bosch-home.com/us) or call 1-800-944-2904**

© BSH Home Appliances Corporation. All rights reserved. Bosch is a registered trademark of Robert Bosch GmbH.

# 30" Downdraft

800 Series Downdraft – HDD80051UC



**BOSCH**  
Invented for life



## Accessories – Transitions

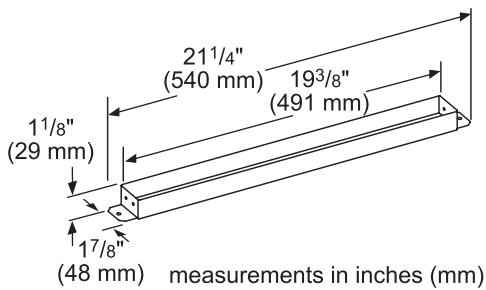
### TRANSITION FOR RECTANGULAR DUCT FOR DOWNDRAFT



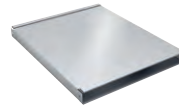
Rectangular duct transition required to connect 2' rectangular duct to downdraft

#### HDDSTRAN2

Transition for Rectangular Duct for Downdraft



### 2' RECTANGULAR DUCT FOR DOWNDRAFT

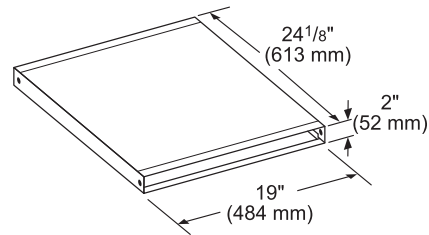


2' Rectangular duct can be used as extension to exhaust through a cabinet or wall while maximizing cabinet storage space

#### HDD2RECTD

2' Rectangular Duct Downdraft

- ▶ Duct can be used as an extension to exhaust through a cabinet or wall
- ▶ May be attached to sides or rear of downdraft housing
- ▶ HDDRECTRN transition needed to connect HDD2RECTD to downdraft housing
- ▶ For use with remote or inline blowers



**Accessories:** To purchase Bosch accessories, cleaners & parts please visit [www.bosch-home.com/us/store](http://www.bosch-home.com/us/store) or call 1-800-944-2904 (Mon to Fri 5 am to 6 pm PST, Sat 6 am to 3 pm PST).

**Notes:** All height, width and depth dimensions are shown in inches. BSH reserves the absolute and unrestricted right to change product materials and specifications, at any time, without notice. Consult the product's installation instructions for final dimensional data and other details prior to making cutout.

**Warranties:** Please see Use & Care manual or Bosch website for statement of limited warranty.

**For more information on our entire line of products, go to [www.bosch-home.com/us](http://www.bosch-home.com/us) or call 1-800-944-2904**

© BSH Home Appliances Corporation. All rights reserved. Bosch is a registered trademark of Robert Bosch GmbH.

# 30" Downdraft

800 Series Downdraft – HDD80051UC



**BOSCH**  
Invented for life

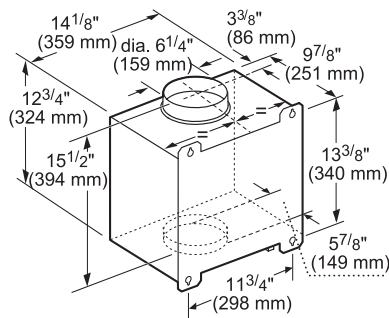
## Accessories – 600 CFM Blowers



600 CFM inline blower

- ▶ For use with Bosch downdrafts
- ▶ Inline blowers can be mounted remotely to minimize blower noise in the cooking area
- ▶ Designed to be mounted inline with the ducting installation
- ▶ Blower is mounted on roof of exterior wall depending on application needs
- ▶ 6" transition required

**DHI1FZUC**  
600 CFM Inline Blower



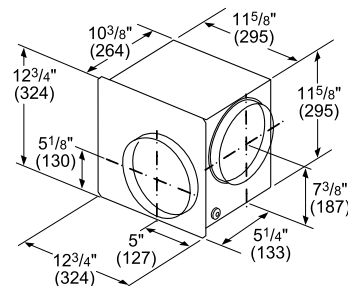
measurements in inches and mm



600 CFM flexible blower can mount to downdraft or be used as an inline blower, and can be rotated to exhaust downward or to sides

- ▶ Capable up to 600 CFM in performance
- ▶ Blower is able to mount to downdraft or be used as an inline blower
- ▶ Blower can be rotated to exhaust downward or toward sides
- ▶ Additional accessories may be required for installation, see manual

**DHG602DUC**  
600 CFM Flexible Integral Blower – HDD Downdrafts



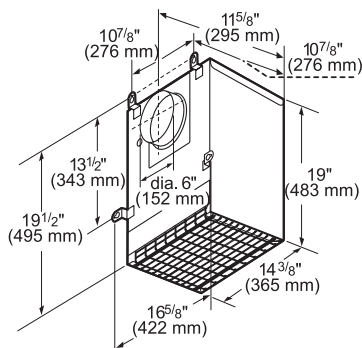
measurements in inches and (mm)



600 CFM remote blower

- ▶ For use with Bosch downdrafts
- ▶ Can be mounted on the exterior of the home to minimize noise in the cooking area
- ▶ Blower is mounted on roof of exterior wall depending on application needs
- ▶ 6" transition required

**DHR1FZUC**  
600 CFM Remote Blower



measurements in inches and mm

**Accessories:** To purchase Bosch accessories, cleaners & parts please visit [www.bosch-home.com/us/store](http://www.bosch-home.com/us/store) or call 1-800-944-2904 (Mon to Fri 5 am to 6 pm PST, Sat 6 am to 3 pm PST).

**Notes:** All height, width and depth dimensions are shown in inches. BSH reserves the absolute and unrestricted right to change product materials and specifications, at any time, without notice. Consult the product's installation instructions for final dimensional data and other details prior to making cutout.

**Warranties:** Please see Use & Care manual or Bosch website for statement of limited warranty.

**For more information on our entire line of products, go to [www.bosch-home.com/us](http://www.bosch-home.com/us) or call 1-800-944-2904**

© BSH Home Appliances Corporation. All rights reserved. Bosch is a registered trademark of Robert Bosch GmbH.

# 30" Downdraft

800 Series Downdraft – HDD80051UC



**BOSCH**  
Invented for life

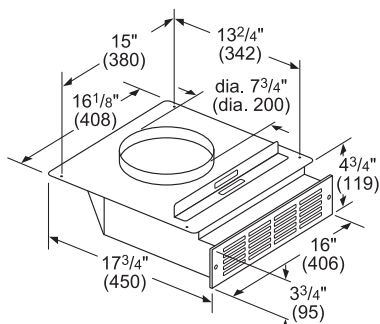
## Accessories – Optional



**HDDREC5UC**  
Recirculation Kit  
for Downdraft

When ducting to the exterior is not feasible, downdraft recirculation kit allows filtered air to reenter the kitchen while cooking

- ▶ When ducting is not feasible, kit eliminates need to exhaust outside
- ▶ Air is filtered through charcoal filter, then re-enters kitchen
- ▶ Includes recirculation module, filter and metal grille vent plate
- ▶ Designed to work with both 30" and 37" bosch downdrafts, HDD series
- ▶ Use with induction / electric cooktops only



Measurements in inches and (mm)



**HDDTRIM30S**  
Trim Kit for 30"  
FlameSelect® Gas  
Cooktops

30" trim kit for installation with 30" FlameSelect® gas cooktops

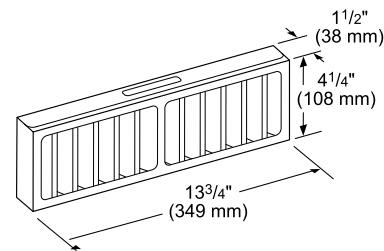
- ▶ Includes trim kit and installation tool
- ▶ Required for installation with 30" FlameSelect® gas cooktops



**HDDFILTUC**  
Charcoal Filter  
Replacement for  
Recirculation Kit  
for Downdraft

Maintain performance of Bosch downdraft recirculation kit with timely replacement of charcoal filter to capture and filter odors

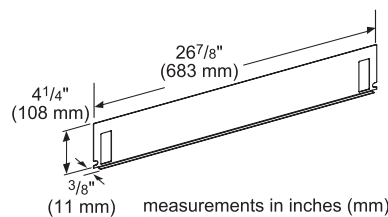
- ▶ Replacement charcoal filter for HDDREC5UC recirculation kit
- ▶ Quality charcoal filter effectively captures and filters odors
- ▶ Replace charcoal filter every 6 months depending on usage



**HDD0RSP**  
30" Gas Cooktop  
Seal Kit for Downdraft

30" gas cooktop seal kit required for installation with 30" gas cooktops

- ▶ Includes trim, seal, metal grill, and fasteners
- ▶ Required for installation with gas cooktops



**Accessories:** To purchase Bosch accessories, cleaners & parts please visit [www.bosch-home.com/us/store](http://www.bosch-home.com/us/store) or call 1-800-944-2904 (Mon to Fri 5 am to 6 pm PST, Sat 6 am to 3 pm PST).

**Notes:** All height, width and depth dimensions are shown in inches. BSH reserves the absolute and unrestricted right to change product materials and specifications, at any time, without notice. Consult the product's installation instructions for final dimensional data and other details prior to making cutout.

**Warranties:** Please see Use & Care manual or Bosch website for statement of limited warranty.

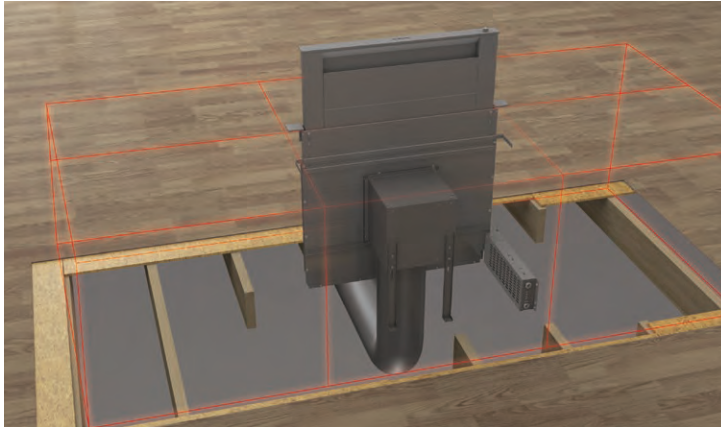
**For more information on our entire line of products, go to [www.bosch-home.com/us](http://www.bosch-home.com/us) or call 1-800-944-2904**

© BSH Home Appliances Corporation. All rights reserved. Bosch is a registered trademark of Robert Bosch GmbH.

# 30" Downdraft

800 Series Downdraft – HDD80051UC

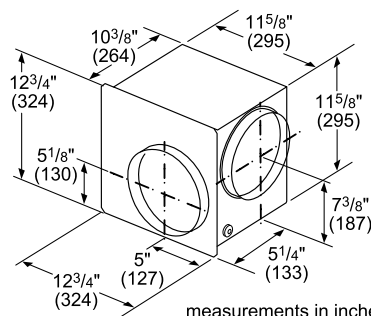
## Flexible Blower Installation – Front Exhaust Example



### Application

- Flexible blower attached can rotate for left, right or downward discharge
- Front downward application with flexible blower
- Requires space under floor line for ductwork\*
- Can be used with optional Recirculation Kit, sold separately
- Elbow, ductwork, blower support structure frame not included

### Required Blower



### DHG602DUC

600 CFM Flexible Integral Blower

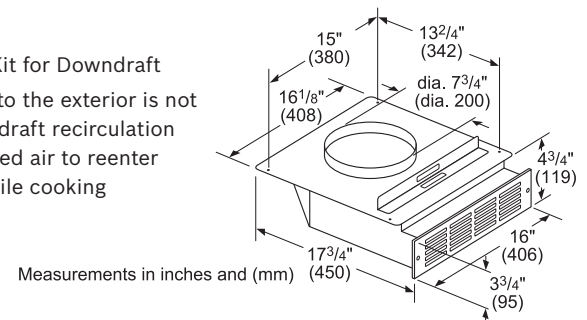
600 CFM flexible blower can mount to downdraft or be used as an inline blower, and can be rotated to exhaust downward or to sides

### Optional Accessories

#### HDDREC5UC

Recirculation Kit for Downdraft

When ducting to the exterior is not feasible, downdraft recirculation kit allows filtered air to reenter the kitchen while cooking



#### HDDFILTUC

Charcoal Filter Replacement for Recirculation Kit for Downdraft

Maintain performance of Bosch downdraft recirculation kit with timely replacement of charcoal filter to capture and filter odors



#### HDD0RSP

30" Gas Cooktop Seal Kit for Downdraft

30" gas cooktop seal kit required for installation with 30" gas cooktops



\*For only front downward ducting applications, electrical panel must be remotely mounted. Electrical panel can still be remotely mounted in other exhaust configurations if desired. Electrical panel interconnect cable length is 5-ft. long.

**Accessories:** To purchase Bosch accessories, cleaners & parts please visit [www.bosch-home.com/us/store](http://www.bosch-home.com/us/store) or call 1-800-944-2904 (Mon to Fri 5 am to 6 pm PST, Sat 6 am to 3 pm PST).

**Notes:** All height, width and depth dimensions are shown in inches. BSH reserves the absolute and unrestricted right to change product materials and specifications, at any time, without notice. Consult the product's installation instructions for final dimensional data and other details prior to making cutout.

**Warranties:** Please see Use & Care manual or Bosch website for statement of limited warranty.

**For more information on our entire line of products, go to [www.bosch-home.com/us](http://www.bosch-home.com/us) or call 1-800-944-2904**

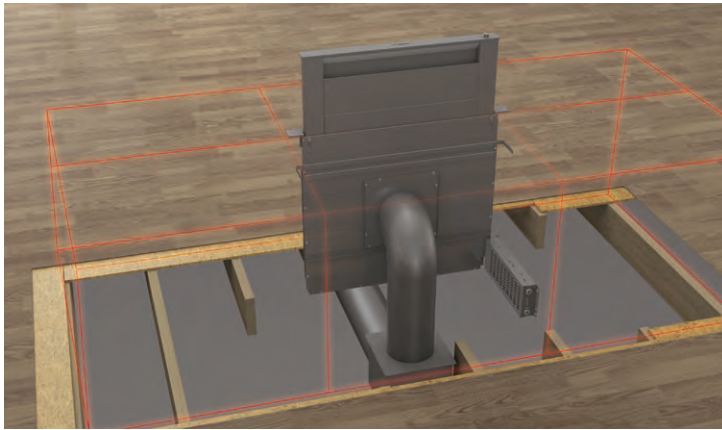
© BSH Home Appliances Corporation. All rights reserved. Bosch is a registered trademark of Robert Bosch GmbH.



# 30" Downdraft

800 Series Downdraft – HDD80051UC

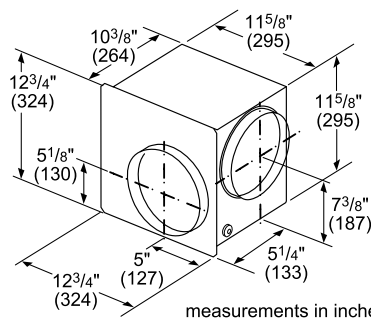
## Flexible Blower Installation – Front Exhaust with Flexible Blower Used as an Inline Option Example



### Application

- Side exhaust with flexible blower used as inline option if ducting is more convenient with this configuration
- Requires at least 18" of clearance to fit the blower and transition
- Blower must be accessible for maintenance
- Elbow, ductwork, blower support structure frame not included

### Required Blower



### DHG602DUC

600 CFM Flexible Integral Blower

600 CFM flexible blower can mount to downdraft or be used as an inline blower, and can be rotated to exhaust downward or to sides

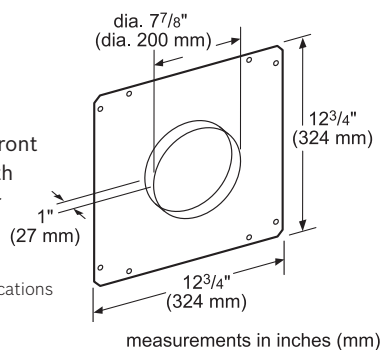
### Required Accessories

#### HDDFTRAN8

8" Round Front Plate for Downdraft

8" Front rough-in plate enable ducting to be at front of downdraft, for use with inline and remote blower applications

**NOTE:** HDDFTRAN8 front plate required for front exhaust applications with inline and remote blowers.



### Optional Accessories

#### HDD0RSP

30" Gas Cooktop Seal Kit for Downdraft

30" gas cooktop seal kit required for installation with 30" gas cooktops



**NOTE:** Some applications may require deeper cabinets. Side and rear exhaust require at least 18" of clearance to fit the blower and / or ductwork. Refer to installation instructions.

**Accessories:** To purchase Bosch accessories, cleaners & parts please visit [www.bosch-home.com/us/store](http://www.bosch-home.com/us/store) or call 1-800-944-2904 (Mon to Fri 5 am to 6 pm PST, Sat 6 am to 3 pm PST).

**Notes:** All height, width and depth dimensions are shown in inches. BSH reserves the absolute and unrestricted right to change product materials and specifications, at any time, without notice. Consult the product's installation instructions for final dimensional data and other details prior to making cutout.

**Warranties:** Please see Use & Care manual or Bosch website for statement of limited warranty.

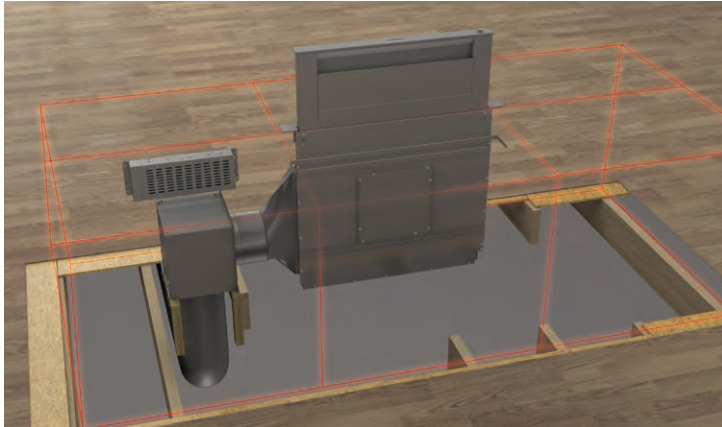
**For more information on our entire line of products, go to [www.bosch-home.com/us](http://www.bosch-home.com/us) or call 1-800-944-2904**

© BSH Home Appliances Corporation. All rights reserved. Bosch is a registered trademark of Robert Bosch GmbH.

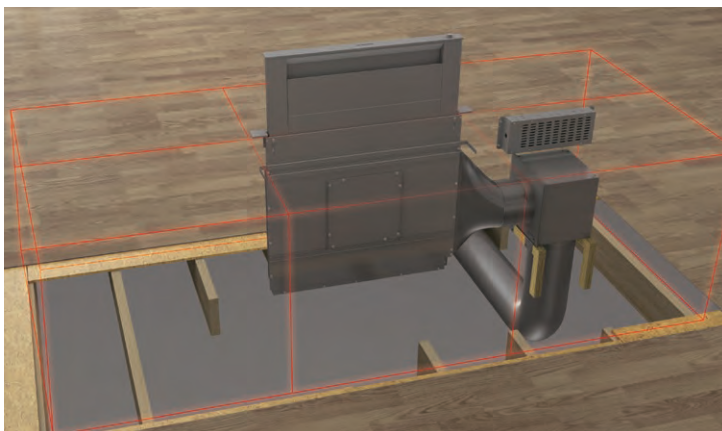
# 30" Downdraft

800 Series Downdraft – HDD80051UC

## Flexible Blower Installation – Side Exhaust Example



Left Side Exhaust



Right Side Exhaust

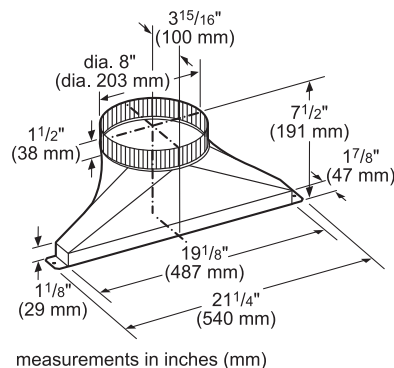
### Required Accessories

#### HDDSTRAN8

8" Side / Rear / Downward Transition for Downdraft

8" Round transition enable ducting to be at sides, rear or below downdraft for flexible configurations to maximize your kitchen design

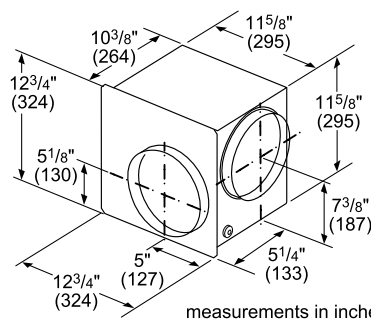
**NOTE:** HDDSTRAN8 side / rear / downward transition required for side, rear or downward exhaust applications with inline and remote blowers.



### Application

- Side exhaust option if ducting is more convenient with this configuration
- Requires at least 18" of clearance to fit the blower and transition
- Can be used with optional Recirculation Kit, sold separately
- Elbow, ductwork, blower support structure frame not included

### Required Blower



#### DHG602DUC

600 CFM Flexible Integral Blower

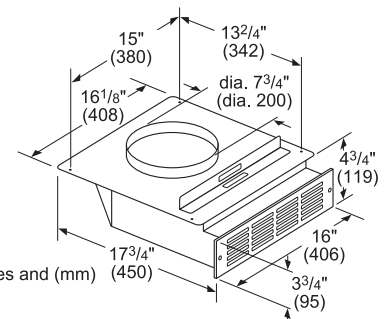
600 CFM flexible blower can mount to downdraft or be used as an inline blower, and can be rotated to exhaust downward or to sides

### Optional Accessories

#### HDDREC5UC

Recirculation Kit for Downdraft

When ducting to the exterior is not feasible, downdraft recirculation kit allows filtered air to reenter the kitchen while cooking



#### HDDFILTUC

Charcoal Filter Replacement for Recirculation Kit for Downdraft

Maintain performance of Bosch downdraft recirculation kit with timely replacement of charcoal filter to capture and filter odors



#### HDD0RSP

30" Gas Cooktop Seal Kit for Downdraft

30" gas cooktop seal kit required for installation with 30" gas cooktops



**NOTE:** Some applications may require deeper cabinets. Side and rear exhaust require at least 18" of clearance to fit the blower and / or ductwork. Refer to installation instructions.

**Accessories:** To purchase Bosch accessories, cleaners & parts please visit [www.bosch-home.com/us/store](http://www.bosch-home.com/us/store) or call 1-800-944-2904 (Mon to Fri 5 am to 6 pm PST, Sat 6 am to 3 pm PST).

**Notes:** All height, width and depth dimensions are shown in inches. BSH reserves the absolute and unrestricted right to change product materials and specifications, at any time, without notice. Consult the product's installation instructions for final dimensional data and other details prior to making cutout.

**Warranties:** Please see Use & Care manual or Bosch website for statement of limited warranty.

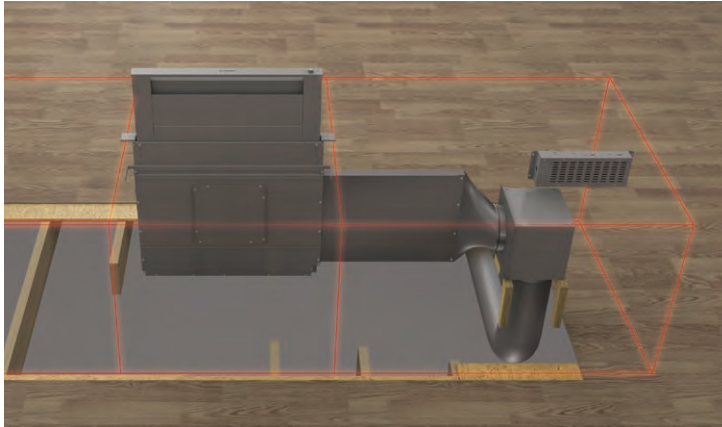
**For more information on our entire line of products, go to [www.bosch-home.com/us](http://www.bosch-home.com/us) or call 1-800-944-2904**

© BSH Home Appliances Corporation. All rights reserved. Bosch is a registered trademark of Robert Bosch GmbH.

# 30" Downdraft

800 Series Downdraft – HDD80051UC

## Flexible Blower Installation – Side Exhaust with Slim 2' Rectangular Duct Example

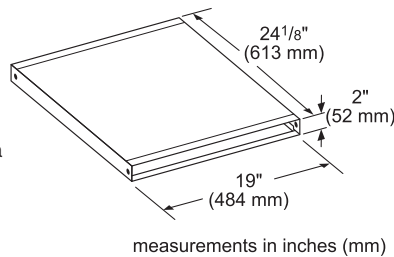


### Required Accessories

#### HDD2RECTD

2' Rectangular  
Duct Downdraft

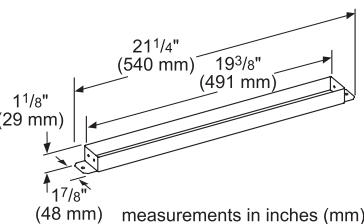
2' Rectangular duct can be used as extension to exhaust through a cabinet or wall while maximizing cabinet storage space



#### HDDSTRAN2

Transition for Rectangular  
Duct for Downdraft

Rectangular duct transition required to connect 2' rectangular duct to downdraft

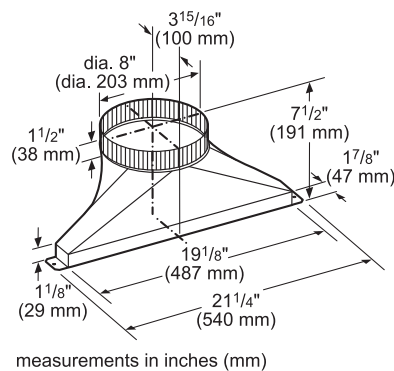


#### HDDSTRAN8

8" Side / Rear / Downward  
Transition for Downdraft

8" Round transition enable ducting to be at sides, rear or below downdraft for flexible configurations to maximize your kitchen design

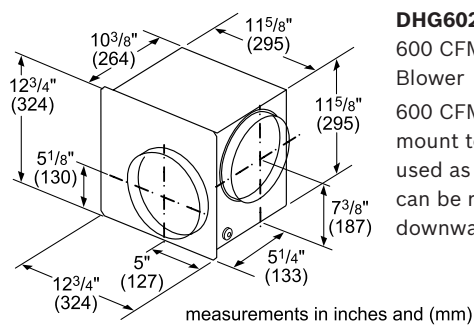
**NOTE:** HDDSTRAN8 side / rear / downward transition required for side, rear or downward exhaust applications with inline and remote blowers.



### Application

- Side exhaust option if ducting is more convenient with this configuration
- A slim 2' rectangular duct is available to place flexible blower in areas such as unused corner in island or peninsula applications
- Can be used with optional Recirculation Kit, sold separately
- Elbow, ductwork, blower support structure frame not included

### Required Blower



#### DHG602DUC

600 CFM Flexible Integral  
Blower

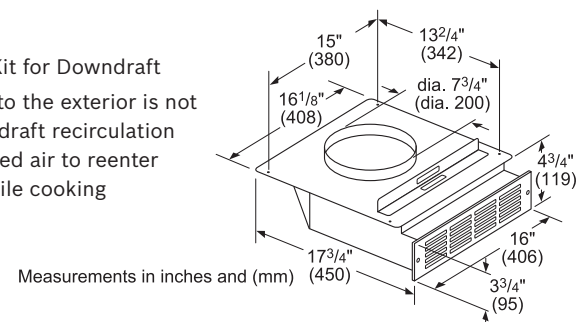
600 CFM flexible blower can mount to downdraft or be used as an inline blower, and can be rotated to exhaust downward or to sides

### Optional Accessories

#### HDDREC5UC

Recirculation Kit for Downdraft

When ducting to the exterior is not feasible, downdraft recirculation kit allows filtered air to reenter the kitchen while cooking



#### HDDFILTUC

Charcoal Filter Replacement for Recirculation  
Kit for Downdraft

Maintain performance of Bosch downdraft recirculation kit with timely replacement of charcoal filter to capture and filter odors



#### HDD0RSP

30" Gas Cooktop Seal Kit for Downdraft

30" gas cooktop seal kit required for installation with 30" gas cooktops



**NOTE:** Some applications may require deeper cabinets. Side and rear exhaust require at least 18" of clearance to fit the blower and / or ductwork. Refer to installation instructions.

**Accessories:** To purchase Bosch accessories, cleaners & parts please visit [www.bosch-home.com/us/store](http://www.bosch-home.com/us/store) or call 1-800-944-2904 (Mon to Fri 5 am to 6 pm PST, Sat 6 am to 3 pm PST).

**Notes:** All height, width and depth dimensions are shown in inches. BSH reserves the absolute and unrestricted right to change product materials and specifications, at any time, without notice. Consult the product's installation instructions for final dimensional data and other details prior to making cutout.

**Warranties:** Please see Use & Care manual or Bosch website for statement of limited warranty.

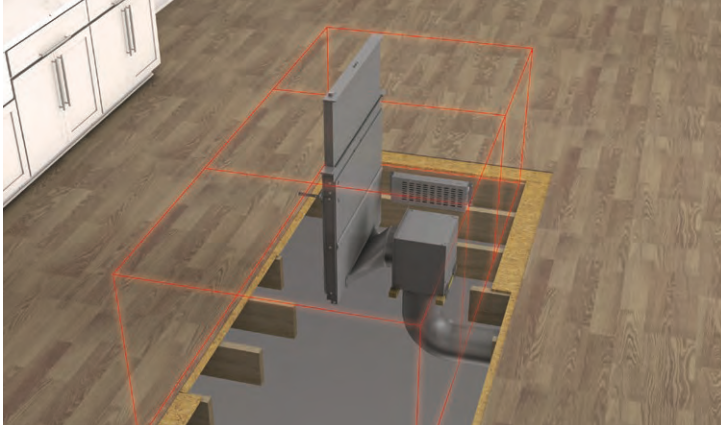
**For more information on our entire line of products, go to [www.bosch-home.com/us](http://www.bosch-home.com/us) or call 1-800-944-2904**

© BSH Home Appliances Corporation. All rights reserved. Bosch is a registered trademark of Robert Bosch GmbH.

# 30" Downdraft

800 Series Downdraft – HDD80051UC

## Flexible Blower Installation – Rear Exhaust Example



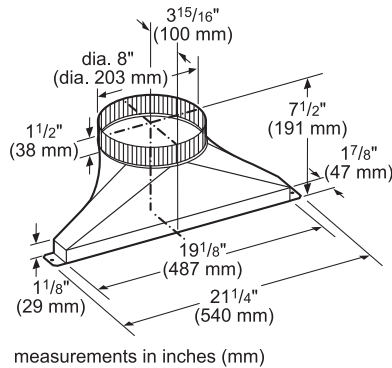
### Required Accessories

#### HDDSTRAN8

8" Side / Rear / Downward Transition for Downdraft

8" Round transition enable ducting to be at sides, rear or below downdraft for flexible configurations to maximize your kitchen design

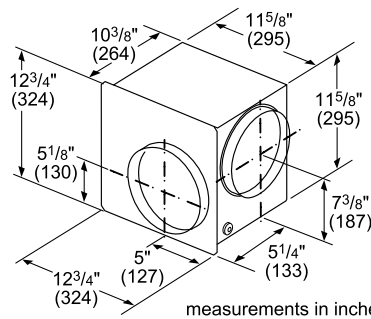
**NOTE:** HDDSTRAN8 side / rear / downward transition required for side, rear or downward exhaust applications with inline and remote blowers.



### Application

- Rear exhaust option is possible if ducting is more convenient with this configuration
- Requires at least 18" of clearance to fit the blower and transition
- Blower must be accessible for maintenance
- Can be used with optional Recirculation Kit, sold separately
- Elbow, ductwork, blower support structure frame not included

### Required Blower



#### DHG602DUC

600 CFM Flexible Integral Blower

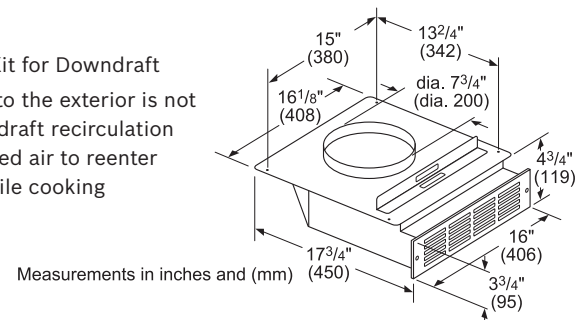
600 CFM flexible blower can mount to downdraft or be used as an inline blower, and can be rotated to exhaust downward or to sides

### Optional Accessories

#### HDDREC5UC

Recirculation Kit for Downdraft

When ducting to the exterior is not feasible, downdraft recirculation kit allows filtered air to reenter the kitchen while cooking



#### HDDFILTUC

Charcoal Filter Replacement for Recirculation Kit for Downdraft

Maintain performance of Bosch downdraft recirculation kit with timely replacement of charcoal filter to capture and filter odors



#### HDD0RSP

30" Gas Cooktop Seal Kit for Downdraft

30" gas cooktop seal kit required for installation with 30" gas cooktops



**NOTE:** Some applications may require deeper cabinets. Side and rear exhaust require at least 18" of clearance to fit the blower and / or ductwork. Refer to installation instructions.

**Accessories:** To purchase Bosch accessories, cleaners & parts please visit [www.bosch-home.com/us/store](http://www.bosch-home.com/us/store) or call 1-800-944-2904 (Mon to Fri 5 am to 6 pm PST, Sat 6 am to 3 pm PST).

**Notes:** All height, width and depth dimensions are shown in inches. BSH reserves the absolute and unrestricted right to change product materials and specifications, at any time, without notice. Consult the product's installation instructions for final dimensional data and other details prior to making cutout.

**Warranties:** Please see Use & Care manual or Bosch website for statement of limited warranty.

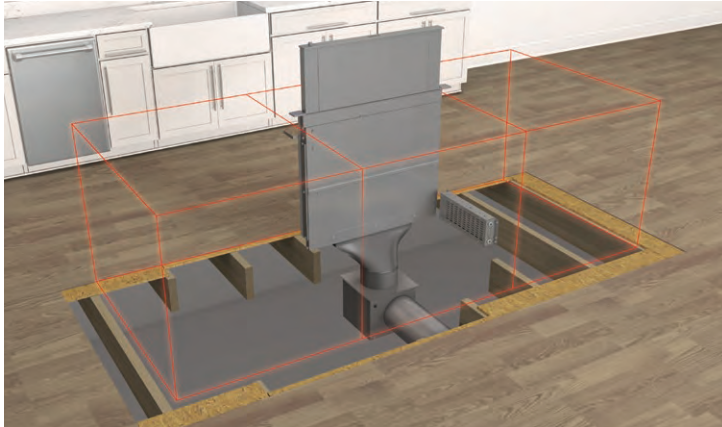
**For more information on our entire line of products, go to [www.bosch-home.com/us](http://www.bosch-home.com/us) or call 1-800-944-2904**

© BSH Home Appliances Corporation. All rights reserved. Bosch is a registered trademark of Robert Bosch GmbH.

# 30" Downdraft

800 Series Downdraft – HDD80051UC

## Flexible Blower Installation – Downward Exhaust Example



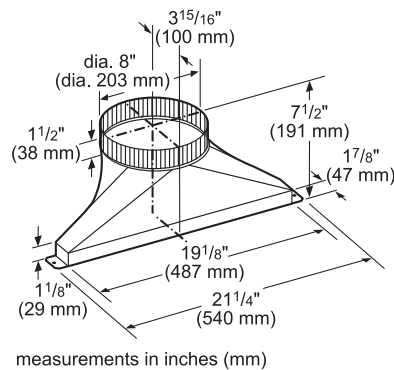
### Required Accessories

#### HDDSTRAN8

8" Side / Rear / Downward Transition for Downdraft

8" Round transition enable ducting to be at sides, rear or below downdraft for flexible configurations to maximize your kitchen design

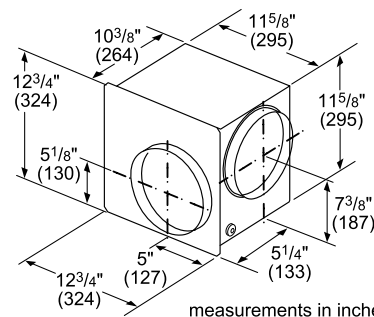
**NOTE:** HDDSTRAN8 side / rear / downward transition required for side, rear or downward exhaust applications with inline and remote blowers.



### Application

- Downward exhaust option if ducting is more convenient with this configuration
- Requires at least 18" of clearance to fit the blower and transition
- Can be used with optional Recirculation Kit, sold separately
- Elbow, ductwork, blower support structure frame not included
- Blower must be accessible for maintenance
- Can also be installed with inline and remote blowers

### Required Blower



#### DHG602DUC

600 CFM Flexible Integral Blower

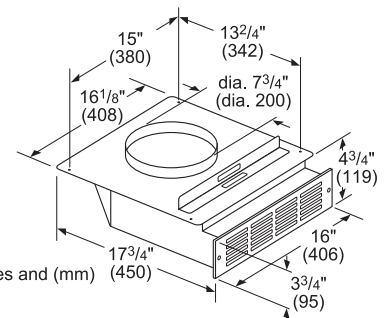
600 CFM flexible blower can mount to downdraft or be used as an inline blower, and can be rotated to exhaust downward or to sides

### Optional Accessories

#### HDDREC5UC

Recirculation Kit for Downdraft

When ducting to the exterior is not feasible, downdraft recirculation kit allows filtered air to reenter the kitchen while cooking



#### HDDFILTUC

Charcoal Filter Replacement for Recirculation Kit for Downdraft

Maintain performance of Bosch downdraft recirculation kit with timely replacement of charcoal filter to capture and filter odors



#### HDDORSP

30" Gas Cooktop Seal Kit for Downdraft

30" gas cooktop seal kit required for installation with 30" gas cooktops



**Accessories:** To purchase Bosch accessories, cleaners & parts please visit [www.bosch-home.com/us/store](http://www.bosch-home.com/us/store) or call 1-800-944-2904 (Mon to Fri 5 am to 6 pm PST, Sat 6 am to 3 pm PST).

**Notes:** All height, width and depth dimensions are shown in inches. BSH reserves the absolute and unrestricted right to change product materials and specifications, at any time, without notice. Consult the product's installation instructions for final dimensional data and other details prior to making cutout.

**Warranties:** Please see Use & Care manual or Bosch website for statement of limited warranty.

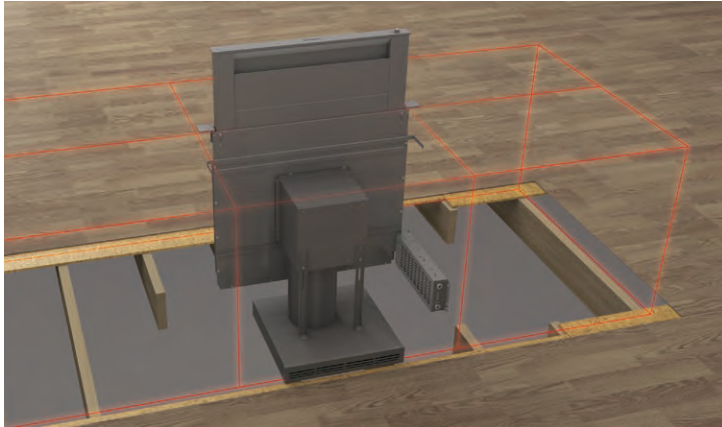
**For more information on our entire line of products, go to [www.bosch-home.com/us](http://www.bosch-home.com/us) or call 1-800-944-2904**

© BSH Home Appliances Corporation. All rights reserved. Bosch is a registered trademark of Robert Bosch GmbH.

# 30" Downdraft

800 Series Downdraft – HDD80051UC

## Flexible Blower Installation – Recirculation Example

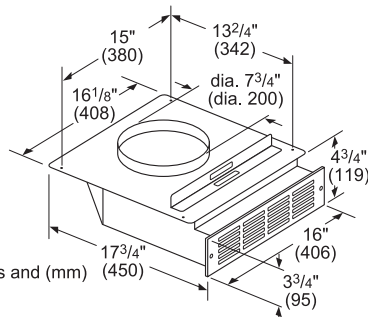


### Required Accessories

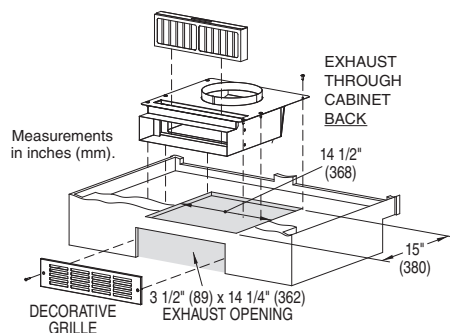
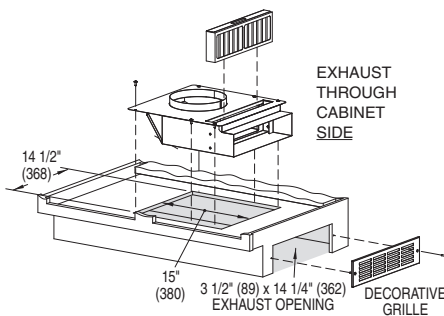
#### HDDREC5UC

##### Recirculation Kit for Downdraft

When ducting to the exterior is not feasible, downdraft recirculation kit allows filtered air to reenter the kitchen while cooking



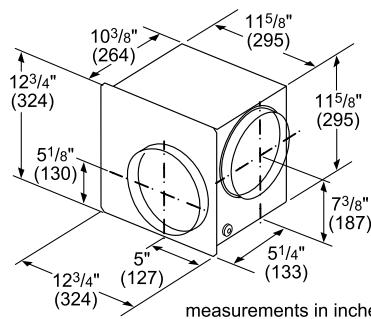
Measurements in inches and (mm)



### Application

- Allows for non-ducted downdraft installation by eliminating the need to exhaust to the exterior of the home
- Mount to toe kick or base of a cabinet and attach directly to flexible blower
- Recirculation module and metal grill vent plate placement can be rotated for flexible exhaust placement
- Elbow, ductwork, blower support structure frame not included

### Required Blower



#### DHG602DUC

600 CFM Flexible Integral Blower

600 CFM flexible blower can mount to downdraft or be used as an inline blower, and can be rotated to exhaust downward or to sides

measurements in inches and (mm)

### Optional Accessories

#### HDDFILTUC

Charcoal Filter Replacement for Recirculation Kit for Downdraft

Maintain performance of Bosch downdraft recirculation kit with timely replacement of charcoal filter to capture and filter odors



#### HDDORSP

30" Gas Cooktop Seal Kit for Downdraft

30" gas cooktop seal kit required for installation with 30" gas cooktops



**Accessories:** To purchase Bosch accessories, cleaners & parts please visit [www.bosch-home.com/us/store](http://www.bosch-home.com/us/store) or call 1-800-944-2904 (Mon to Fri 5 am to 6 pm PST, Sat 6 am to 3 pm PST).

**Notes:** All height, width and depth dimensions are shown in inches. BSH reserves the absolute and unrestricted right to change product materials and specifications, at any time, without notice. Consult the product's installation instructions for final dimensional data and other details prior to making cutout.

**Warranties:** Please see Use & Care manual or Bosch website for statement of limited warranty.

**For more information on our entire line of products, go to [www.bosch-home.com/us](http://www.bosch-home.com/us) or call 1-800-944-2904**

© BSH Home Appliances Corporation. All rights reserved. Bosch is a registered trademark of Robert Bosch GmbH.