

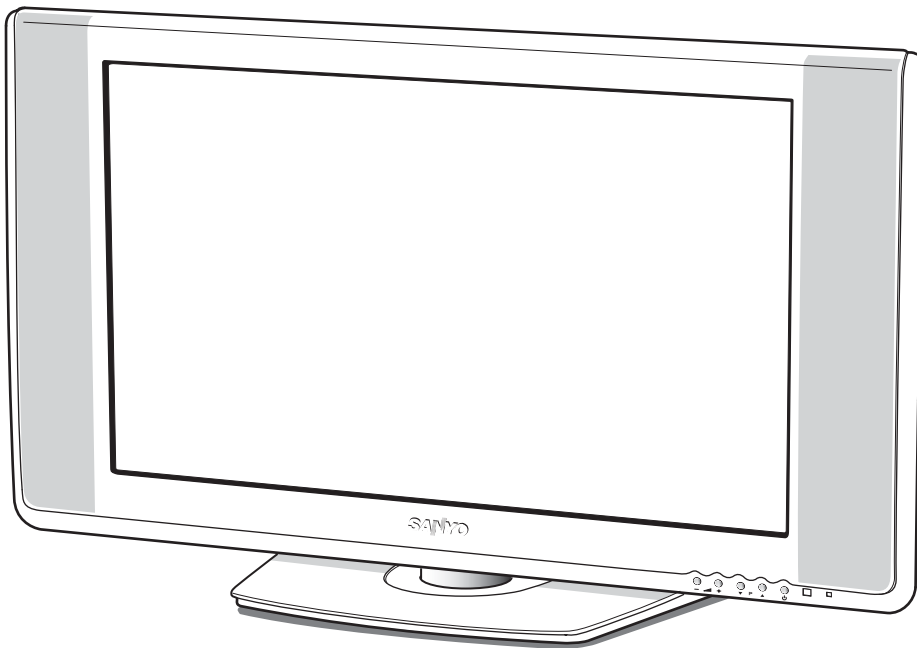
FILE NO.

SERVICE MANUAL LCD Television

Model No. LCD-32XL2
LCD-32XL2B

(Argentina / Brazil)

Service Ref. No. LCD-32XL2-00
LCD-32XL2B-00
LCD-32XL2B-01



Product Code: 111376316 (LCD-32XL2-00)
111376335 (LCD-32XL2B-00)
111376334 (LCD-32XL2B-01)

Original Version
Chassis Series: UE2-B

– NOTE –

Difference between Model LCD-32XL2 and LCD-32XL2B:

- 1) Destination LCD-32XL2... Argentina
LCD-32XL2B...Brazil
- 2) Power Cord.
- 3) Instruction Manual.

Difference between Service Ref. No. LCD-32XL2B-00 and LCD-32XL2B-01:

- 1) Country of origin
LCD-32XL2B-00... Made in Argentina
LCD-32XL2B-01... Made in Brazil

Contents

Safety Notice	2
Specifications	3
Chassis Block Diagrams	4-5
IC Block Diagrams	6-8
Sub CPU Port Functions	8
CPU Port Functions	9
Option Setting	10
On-screen Service Menu System	11
Initialisation of Memory IC	12
Protection Circuit	12
Service Adjustments	13-14
Mechanical Disassembly	15-18
Cabinet Parts List	19-20
Chassis Electrical Parts List	21-36
Printed Wiring Board	37-43

Give complete "SERVICE REF. NO." for parts order or servicing. It is shown on the rating label at the cabinet back of the unit.

This T.V. receiver will not work properly in foreign countries where the television transmission system and power source differ from the design specifications. Refer to the specification table.

Safety Notice

Safety Precautions

The following precautions must be observed.

- 1: Comply with all caution and safety-related notes provided on the cabinet back, cabinet bottom, inside the cabinet or on the chassis.
- 2: When replacing a chassis in the cabinet, always be certain that all the protective devices are installed properly, such as, control knobs, adjustment covers or shields, barriers, etc..

DO NOT OPERATE THIS TELEVISION WITHOUT THE PROTECTIVE SHIELD IN POSITION AND PROPERLY SECURED.

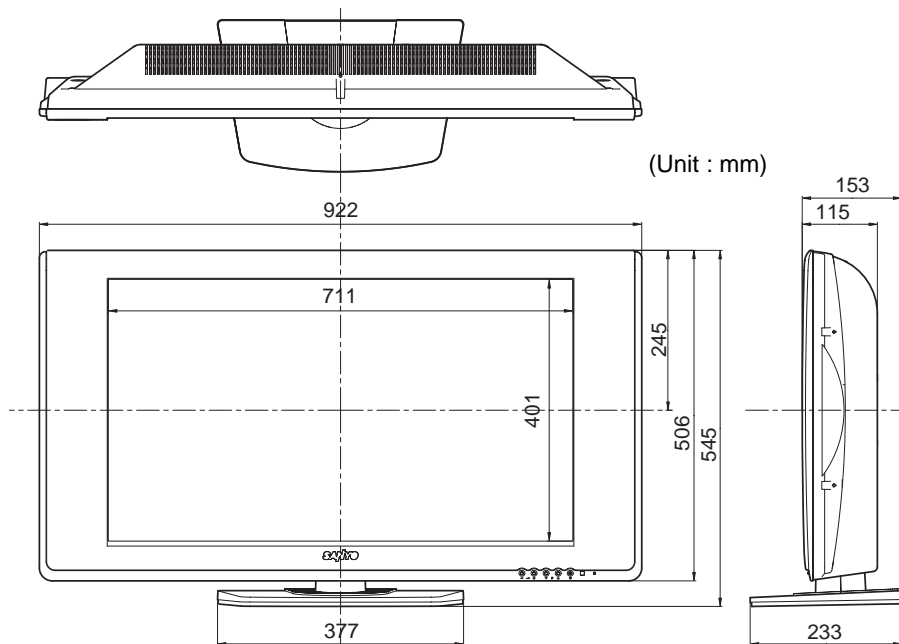
- 3: Before replacing the cabinet cover, thoroughly inspect the inside of the cabinet to see that no stray parts or tools have been left inside.

Before returning any television to the customer, the service personnel must be sure that it is completely safe to operate without danger of electrical shock.

Product Safety Notice

Product safety should be considered when a component replacement is made in any area of a receiver. Components indicated by mark \triangle in the parts list and the schematic diagram designate components in which safety can be of special significance. It is particularly recommended that only parts designated on the parts list in this manual be used for component replacement designated by mark \triangle . No deviations from resistance wattage or voltage ratings may be made for replacement items designated by mark \triangle .

[Details of Dimensions]



Specifications

Power Source AC100-240 Volts, 50/60Hz

Receiving System PAL-N/N/, PAL-M/M, NTSC-M/M

Channel Coverage ANTENNA mode
VHF: CH02 - CH13
UHF: CH14 - CH69
CATV mode
VHF band: CH01-CH13
MID band: CH14-CH22
SUPER band: CH23-CH36
HYPER band: CH37-CH64
ULTRA band: CH65-CH94 and CH100-CH125
Low MID band: CH95-CH99

Aerial Input Impedance 75 Ω

LCD Panel

Screen Size (Measured Diagonally): 32 inches
Picture Resolution: WXGA 1366 (Horiz.) x 768 (Vert.) pixels
Viewing Angles: Horiz. 176°, Vert. 176°
Contrast Ratio: 1000:1
Brightness: 550 cd/m²

Audio Output (RMS) 10W+10W

Speakers 6 cm x 12 cm x 2 pcs.

AV Terminals

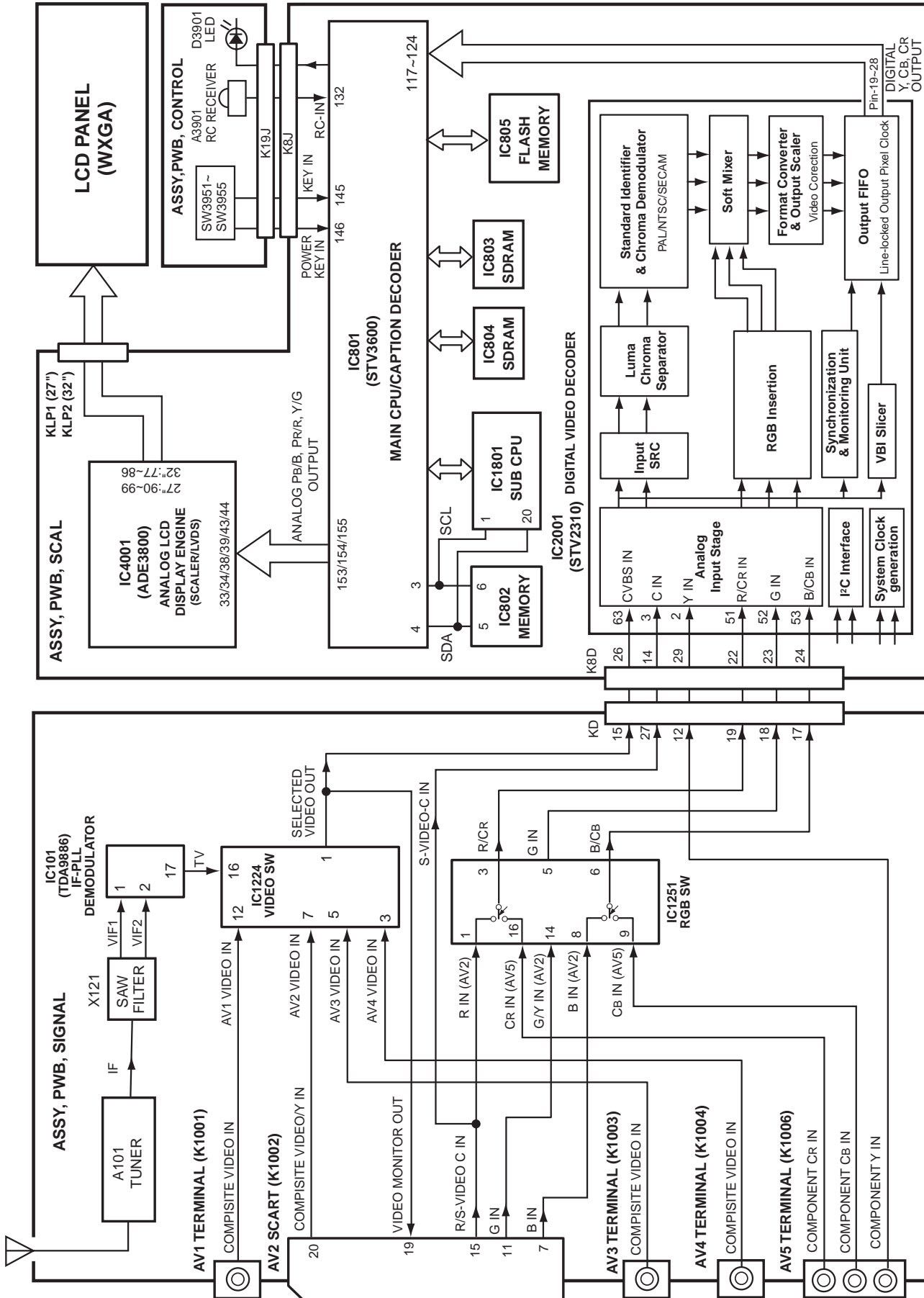
AV1 Video: Composite video Input (RCA Jack) x 1
Audio: L/R Stereo Input (RCA Jack) x 1 set
AV2 CENELEC Standard (Scart Terminal)
Input: Composite video, RGB, S-video and audio-L/R
Output: Monitor-output with composite video and audio-L/R
AV3 Video: Composite video Input (RCA Jack) x 1
Audio: L/R Stereo Input (RCA Jack) x 1 set
AV4 Video: Composite video Input (RCA Jack) x 1
Audio: L/R Stereo Input (RCA Jack) x 1 set
AV5 Video: Component Y, C_B, C_R Input (RCA Jack) x 1 set
Audio: L/R Stereo Input (RCA Jack) x 1 set
Audio Monitor Output: L/R Stereo Output (RCA Jack) x 1 set
Headphone Jack: Mini Stereo Jack x 1

Dimensions: 922 (W) X 545 (H) X 233 (D) mm (Included Tilt Stand)

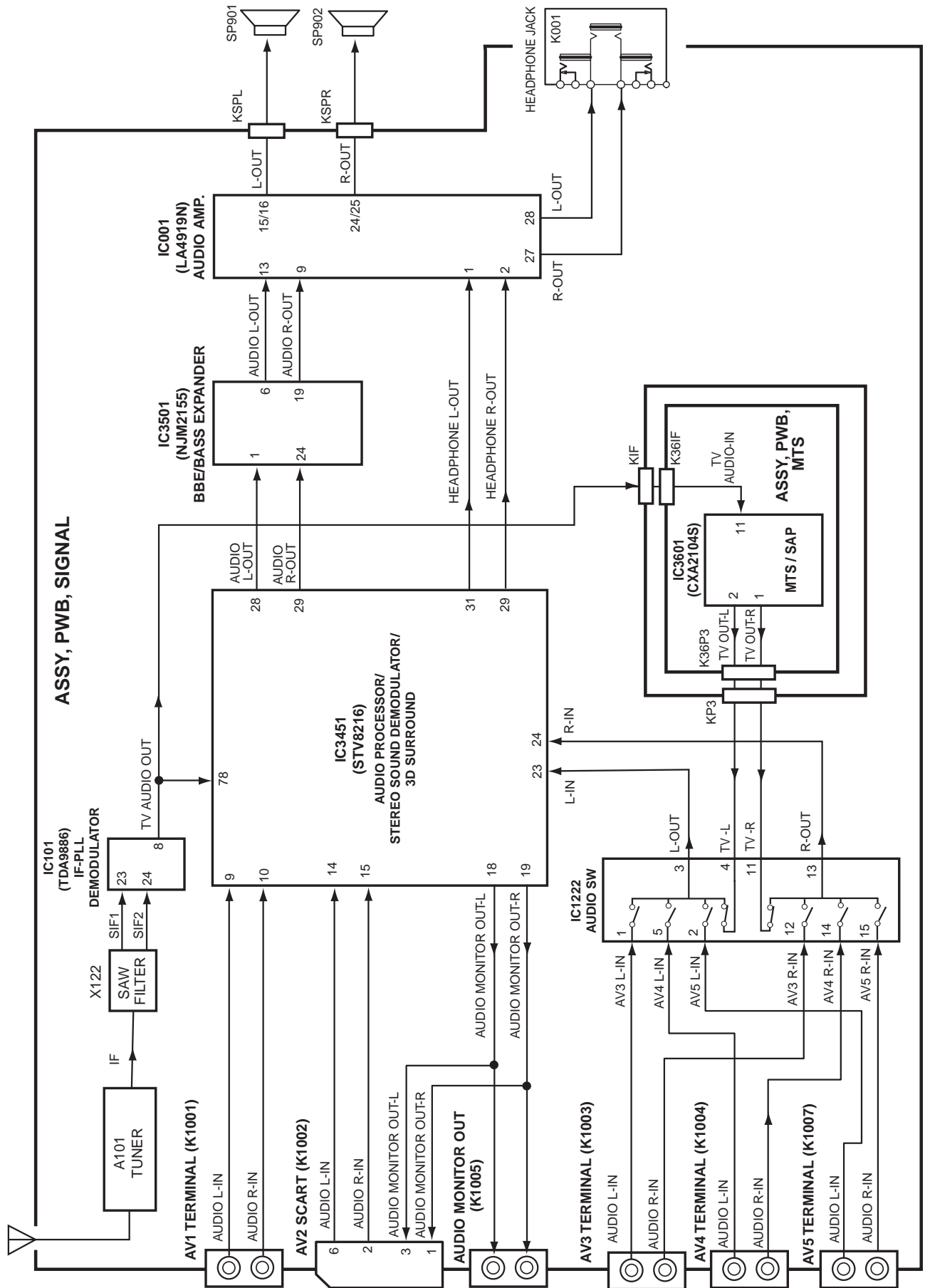
Weight 17.5 kg (Included Swivel Stand)

Specifications subject to change without notice.

Chassis Block Diagrams (Video Signal Lines)

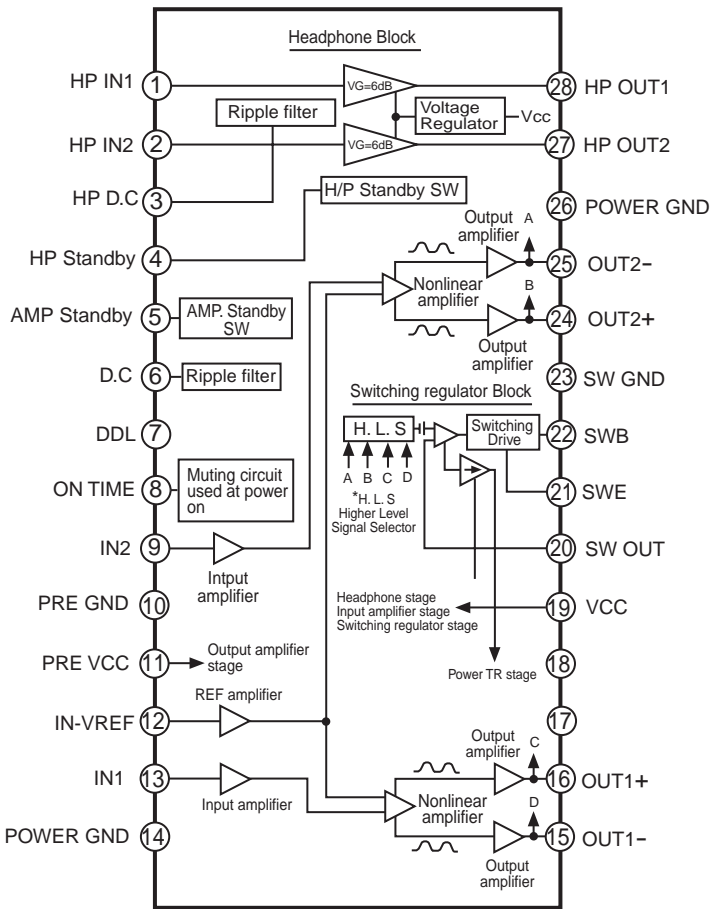


Chassis Block Diagrams (Audio Signal Lines)

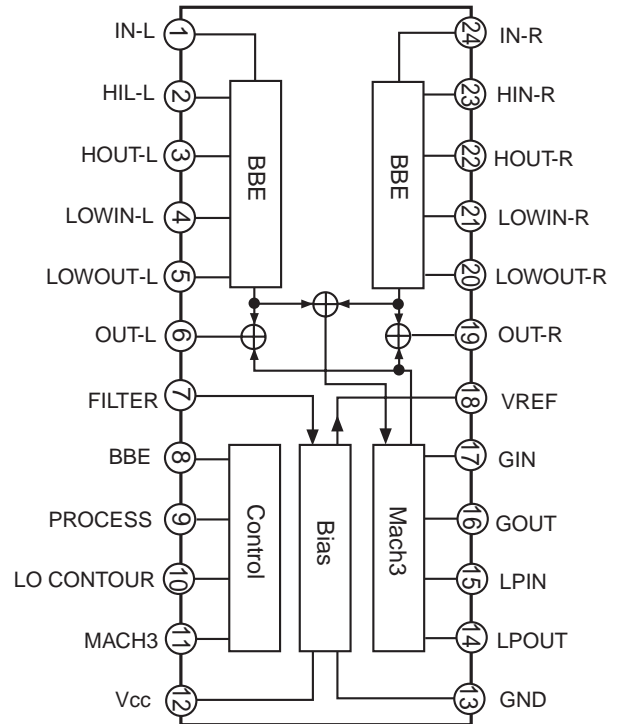


IC Block Diagrams

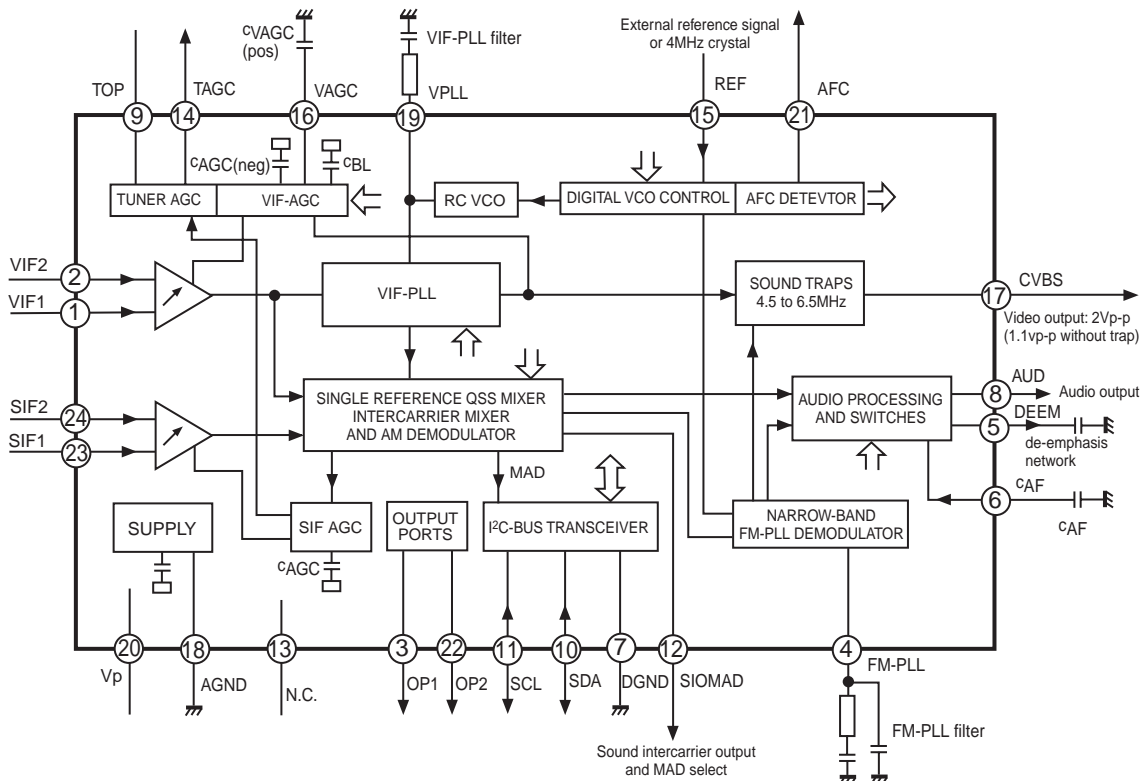
IC001 < AUDIO AMP. > LA4919N-E



IC3501 < BBE/Bass Sound Processor > NJM2155M

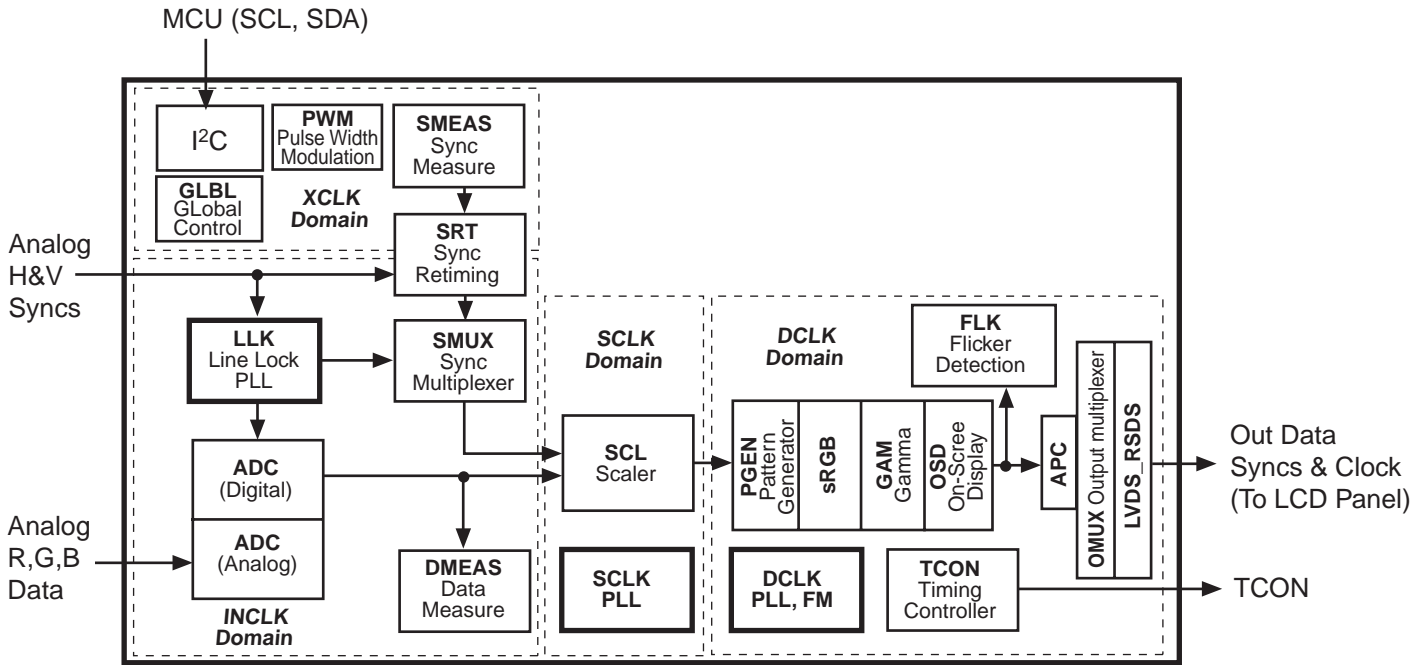


IC101 < IF-PLL Demodulator > TDA9886TSV4P



IC Block Diagrams

IC4001 < Analog LCD Display Engine > ADE3800



Sub CPU Port Functions (IC1801)

Pin No.	Function Name	Function
1	SCL	I2C Bus Clock (For Tuner, IC101, IC3451 of Signal Unit)
2	P3_7	TV_VGA (Not used)
3	Reset	Reset Input (L=Reset)
4	Xout	X'tal Osc. Output (10MHz)
5	Vss	Vss (GND)
6	Xin	X'tal Osc. Input (10MHz)
7	Vcc	Vcc=3.3V
8	Mode	Mode / Connected to Vcc
9	P4_5	
10	P1_7	A Detection Input (Not used)
11	P1_6	DM Clock Output (Not used)
12	P1_5	DM Data (Not used)
13	P1_4	DM IR Send (Not used)
14	P1_3	RGB ON/OFF Output (Not used)
15	P1_2	Power4 Output
16	Vref	Reference for ADC (Vcc)
17	P1_1	Timer Recording Output (H=Recording) (Not used)
18	P1_0	D/A Control Output (H=Digital)
19	P3_3	
20	SDA	I2C Bus Data (For Tuner, IC101, IC3451 of Signal Unit)

Main CPU Port Functions (IC801)

Pin No.	Port Name	Function
131	A0	N_Reset Output (Active=H)
133	A1	Power error-1 input
10	A2	PLL Lock
11	A3	LCD Brightness Output
135	A4	LED / For software flash
136	A5	Audio Mute / For software flash
137	A6	Control of Inverter (Active=L)
138	A7	For writing / FAN Control Check (For manufacturing process) (Active=L)
146	B0	Power ON/OFF Switch Input (AD Input)
145	B1	Key Board Input (AD Input)
144	B2	8-pin of Scart-1 Input (AD Input) -Not used-
143	B3	8-pin of Scart-2 Input (AD Input)
142	B4	8-pin of Scart-3 Input (AD Input) -Not used-
141	B5	AGC Input
130	C0	SDA for ADE3800 (IC4001)
129	C1	SCL for ADE3800 (IC4001)
128	C2	AV Switch-C Output
127	C3	Power-3 Output
4	C4	SDA for EEPROM (IC802)
3	C5	SCL for EEPROM (IC802)
2	C6	SDA for device other than EEPROM
1	C7	SCL for device other than EEPROM
5	D0	AV Switch-A Output
6	D1	LCD ON (Back-Light ON/OFF) Output
7	D2	50/60Hz Switch (Switching PAL/NTSC) Output
8	D3	AV Switch-B Output (Active=H)
132	D4	RC Input (Active=L)
147	D5	Power Switch-1 output
9	D6	Power error-2 Input
134	D7	Power Info. Input (Input of the power supply condition)

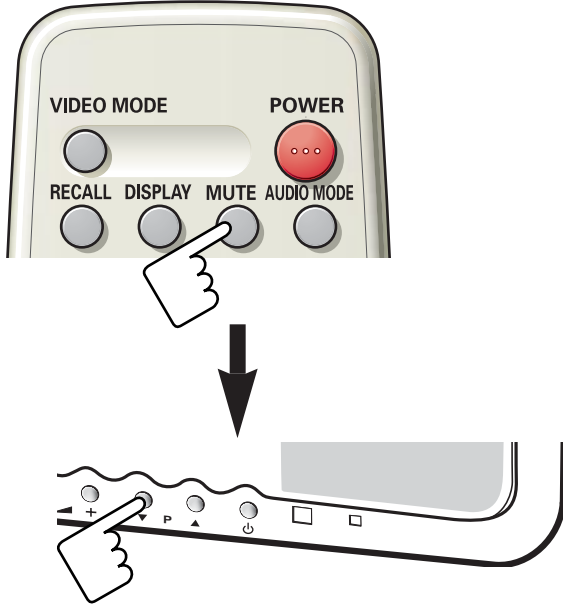
Option Setting

After replacing Memory IC (IC801)

The memory IC (IC802) stores the option data of TV set and service adjustments data for each circuit, therefore, when the memory IC is replaced, it should be programmed to the following settings and “Service Adjustment” on page 13-14.

1) How to enter the Option Setting Mode

Press and hold the **MUTE** button on the remote control and press the **CHANNEL DOWN (P▼)** button on the front control panel of the TV. The option window will appear on the screen.



[Option Setting Menu]

ON Timer	OFF
Plug & Play	ON
Welcome Text	ON
BBE	ON
Auto Volume	ON
Bass Expander	ON
16:9Mode	ON
Noise Reduction	ON
Country	EU
Raster Rotation	OFF
SESA	OFF
DIGITAL RC	OFF
Light Monitoring	OFF
Video Mute	OFF

2) How to make the Option Setting

Select desired option item by pressing the **CHANNEL UP** or **DOWN** button.

To switch the option mode, use the **VOLUME +** or **-** button.

The data which is set in the option mode is stored into the memory IC automatically.

The following table shows the available option items and default setting mode.

<u>Option Items</u>	<u>Mode</u>	<u>Default / Description</u>
ON Timer	ON or OFF	Default “OFF” / Disable or enable ON Timer function.
Plug & Play	ON or OFF	Default “ON” / Disable or enable Plug & Play function.
Welcome Text	ON or OFF	Default “ON” / Display message when first set up.
BBE	ON or OFF	Default “ON” / Disable or enable BBE function on Sound menu.
Auto Volume	ON or OFF	Default “ON” / Disable or enable “Auto Volume Level” function on Sound menu.
Bass Expander	ON or OFF	Default “ON” / Disable or enable Bass Expander on Sound menu.
16:9 Mode	ON or OFF	Default “ON” / 16:9 mode.
Noise Reduction	ON or OFF	Default “ON” / Disable or enable Noise Reduction function on Setting menu.
Country	UK, UK&IRE or EU	Default “EU” / Selection of TV system.
Raster Rotation	ON or OFF	Default “OFF” / Disable or enable Raster Rotation function.
SESA	ON or OFF	Default “OFF”.
Digital RC	ON or OFF	Default “OFF” / Disable or enable use of Digital RC hand-set.
Light Monitoring	ON or OFF	Default “OFF” / Disable or enable Light Monitoring function.
Video Mute	ON or OFF	Default “OFF” / Disable or enable Video Mute function.

3) Exit from the Option Mode

Press the **MENU** button or turn off the TV set by pressing the **Power ON/OFF** button.

On-screen Service Menu System

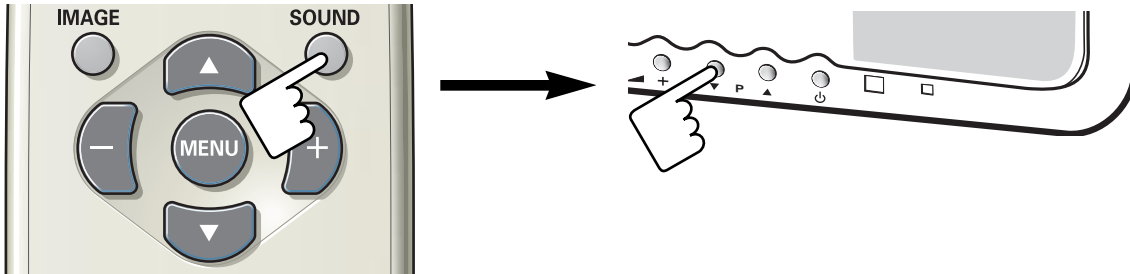
General

This set has an On-screen Service Menu system included in the CPU that allows remote operation for most of the service adjustments.

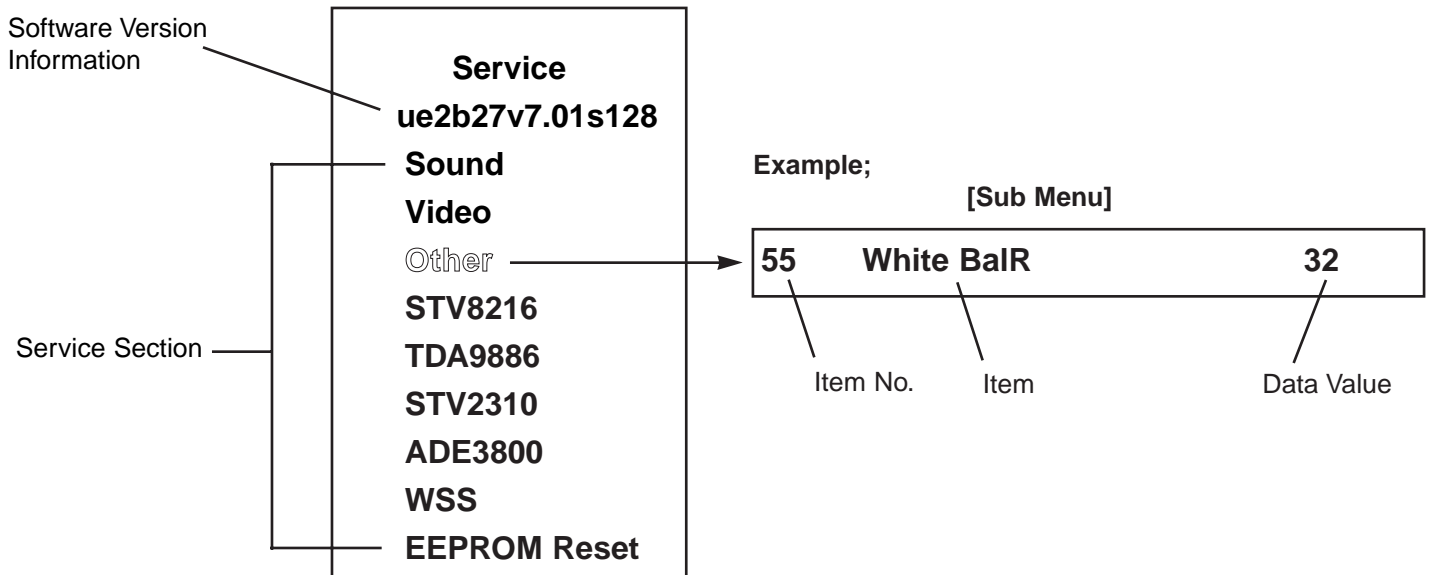
On-screen Service Menu System

1) How to enter the Service Menu

Press and hold the **SOUND** button of the remote control and press the **CHANNEL DOWN (P▼)** button on the front control panel of the TV, and the Main menu of service mode will be displayed.



[Main Menu of the Service Mode]



Important Notice: Do not attempt to adjust service adjustments not listed on page 13-14, otherwise it may cause loss of performance and for correct operation.

2) How to select the service section and service item and change data value:

To select Service Section: Press the **Cursor ▲** or **▼** button on the remote control hand set, and press the **VOLUME +** button to enter the Sub menu.

To change data value: Select service item by pressing the **Cursor ▲** or **▼**, and change data value by pressing the **VOLUME +** or **-** button.
(To return to the Main menu, press the **MENU** button.)

3) Exit from the Service Menu

Press the **MENU** button repeatedly or turn off the TV set by pressing the **Power ON/OFF** button.

Initialisation of Memory IC (IC802)

How to Initialise the Memory IC

To initialise the Memory IC (IC802), press and hold the **IMAGE** button on the remote control, then press the **CHANNEL DOWN** button on the front panel of the TV set and then turn the Mains switch off and on. The initialisation is now completed.

When initialised the memory IC and all of the setting data (option data and service adjustment data) stored in the IC are reset to the default value. It is necessary to set the option settings and readjust the service adjustments listed on page 13-14 and to re-tune all the channels.

Protection Circuit

This TV set has a built-in power supply protection circuit.

It is provided to protect the TV set in case of a power supply circuit malfunctions. When something abnormality occurs during TV reception, the TV set goes to the stand-by mode.

When operating the Protection Circuit, the Stand-by and Power Indicator will blink.

Releasing the protective circuit and restoring power supply

To release the protective circuit and restore power supply, disconnect the AC cord for a short time. This will work only if the power supply trouble was temporary. If there is permanent trouble such as a damaged circuit, power cannot be restored and the circuit will have to be repaired.

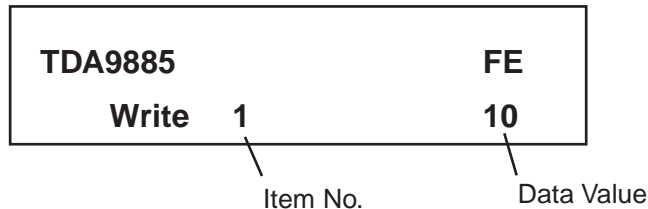
Service Adjustments

Important Notice:

Do not attempt to adjust service adjustments not listed below otherwise it may cause loss of performance and for correct operation.

AGC Adjustment

1. Receive PAL-N colour bar pattern.
(ANT Input Level: 62dB μ V 75 ohms terminated)
2. Connect a Digital Volt Meter to Tuner-AGC terminal (TP-A) and the ground.
3. Enter the Service Mode, and select item **TDA9885** with \blacktriangle or \blacktriangledown key.
4. Select item **Write 1** of TDA9885 with \blacktriangle or \blacktriangledown key.
5. Adjust voltage of Tuner-AGC to become 3.2V \pm 0.3V DC with **VOLUME +** or **-** key.



Black Balance Adjustment

[Setting]

1. Connect a color-bar generator to the external (composite) video input terminal (AV1 or AV3 terminal), and input a dark gray pattern (10% white).
2. Set the television to following conditions:
Picture Mode: Dynamic
Pre-heating Time: More than 10 minutes

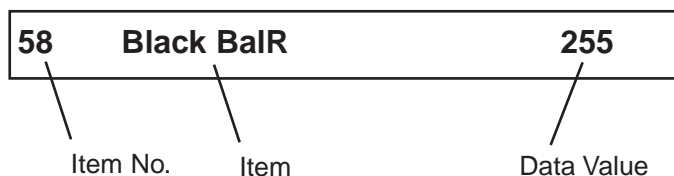
[Black Balance Adjustment]

1. Enter the Service Mode, and select item “**Other**” with \blacktriangle or \blacktriangledown key, then press the **VOLUME +** or **-** key to enter the Sub menu.

Adjustment Item:

- No. 58 Black Balance R
- No. 59 Black Balance G
- No. 60 Black Balance B

2. Set **58 Black BalR**, **59 Black BalG** and **60 Black BalB** value to “255” with **VOLUME +** or **-** key.



3. Decide one item in three items to a fixed value (Example, let **58 Black BalR** be fixed value), select item of other 2 colors (Example, **59 Black BalG** or **60 Black BalB**) with \blacktriangle or \blacktriangledown key, and adjust to produce a normal black and white picture in dark gray areas with **VOLUME +** or **-** key.
(**Note:** At this time, Adjust the other 2 colors data less than fixed data.)

After adjustment, confirm white balance again by normal picture.

White Balance Adjustment

[Setting]

1. Connect a color-bar generator to the external (composite) video input terminal (AV1 or AV3), and input a White Pattern (90%).
2. Set the television to following conditions:
Picture Mode: Dynamic
Pre-heating Time: More than 10 minutes

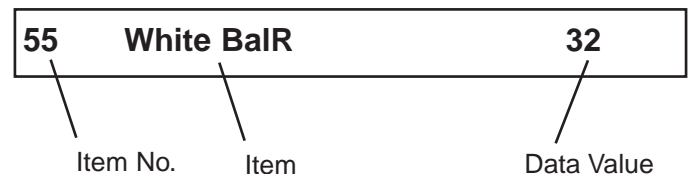
[White Balance Adjustment]

1. Enter the Service Mode, and select item “**Other**” with \blacktriangle or \blacktriangledown key, then press the **VOLUME +** or **-** key to enter the Sub menu.

Adjustment Item:

- No. 55 White Balance R
- No. 56 White Balance G
- No. 57 White Balance B

2. Set **55 White BalR**, **56 White BalG** and **57 White BalB** value to “32” with **VOLUME +** or **-** key.



3. Decide one item in three items to a fixed value (Example, let **55 White BalR** be fixed value), select item of other 2 colors (Example, **56 White BalG** or **57 White BalB**) with \blacktriangle or \blacktriangledown key, and adjust to produce a normal black and white picture in highlight areas with **VOLUME +** or **-** key.
(**Note:** At this time, Adjust the other 2 colors data less than fixed data.)

After adjustment, confirm white balance again by normal picture.

Service Adjustments

MTS Adjustment

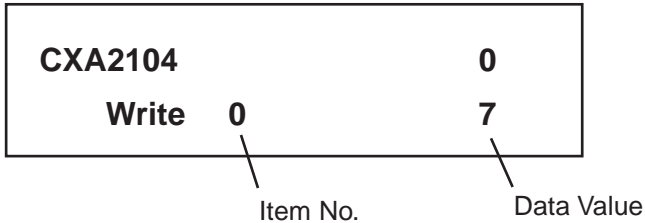
Input Level Adjustment

[Setting]

1. Connect a Digital Volt Meter to **Pin-1 of K36P3** on the MTS unit and the ground.
2. Receive the channel with audio 1KHz 100% modulation signal.
3. Set the television to following conditions:
Audio Mode: Stereo
Surround and BBE: OFF

[Adjustment]

1. Enter the Service Mode, and select item "CXA2104" with ▲ or ▼ key, then press the **VOLUME +** or - key to enter the Sub menu.
2. Select item **Write 0** of CXA2104 with ▲ or ▼ key.
3. Adjust voltage to become DC 400mVrms±30% by pressing the **VOLUME +** or - key.



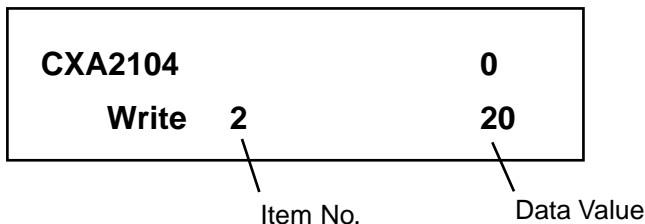
Stereo Separation Adjustment

[Setting]

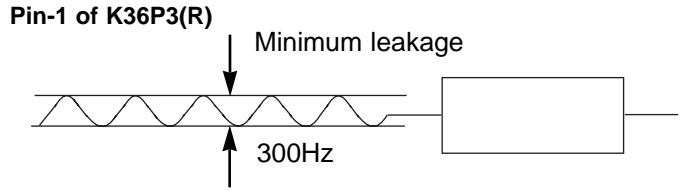
1. Connect an oscilloscope:
Probe-A to **Pin-1 of K36P3** and the ground.
Probe-B to **Pin-3 of K36P3** and the ground.
2. Receive a MTS channel.
3. Set the television to following conditions:
Audio Mode: Stereo
Surround and BBE: OFF

[Adjustment]

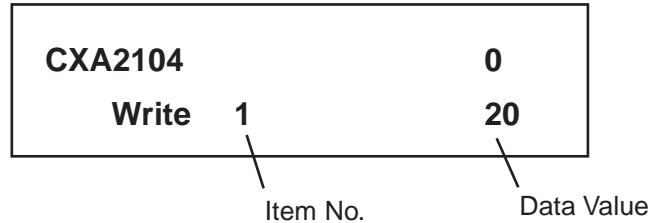
1. Enter the Service Mode, and select item "CXA2104" with ▲ or ▼ key, then press the **VOLUME +** or - key to enter the Sub menu.
2. Select item **Write 2** (Low Separation Adjustment) of CXA2104 with ▲ or ▼ key.



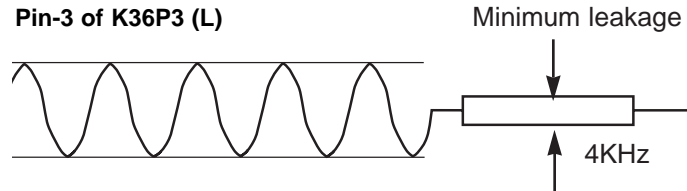
3. Adjust the level of 300Hz at **Pin-1 of K36P3** to become minimum level by pressing the **VOLUME +** or - key.



4. Select item **Write 1** (High Separation Adjustment) of CXA2104 with ▲ or ▼ key.



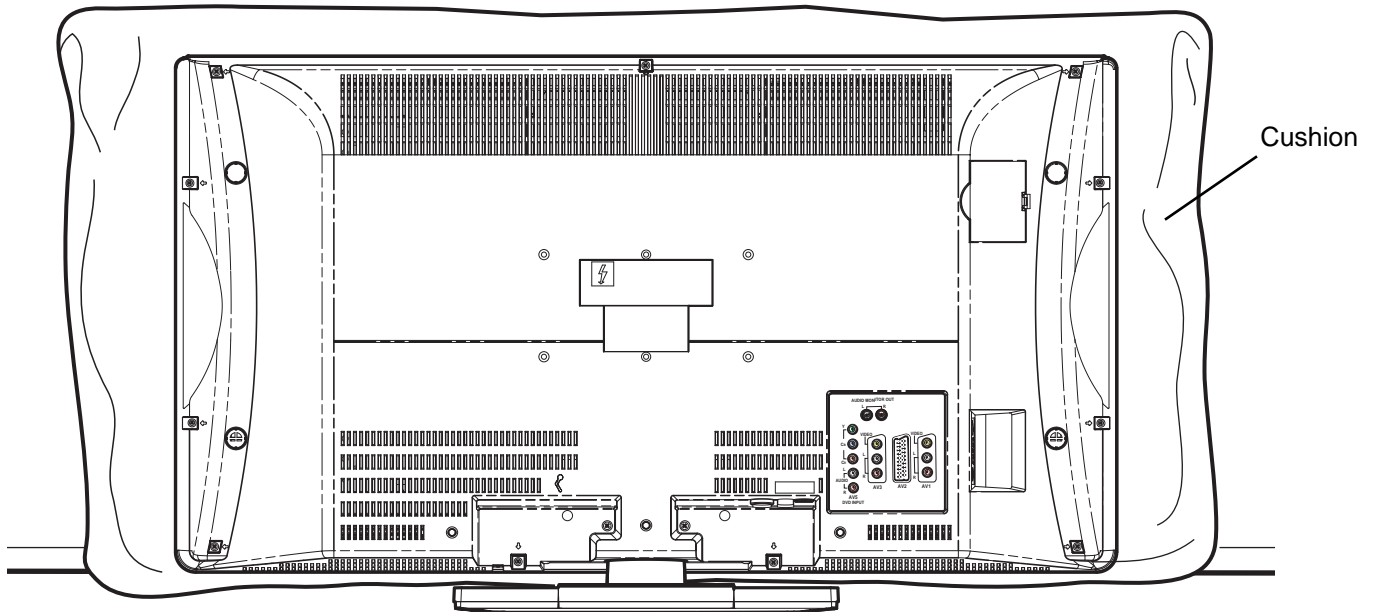
5. Adjust the level of 4KHz at **Pin-3 of K36P3** to become minimum level by pressing the **VOLUME +** or - key.
6. Repeat steps 2 to 5 for best separation.



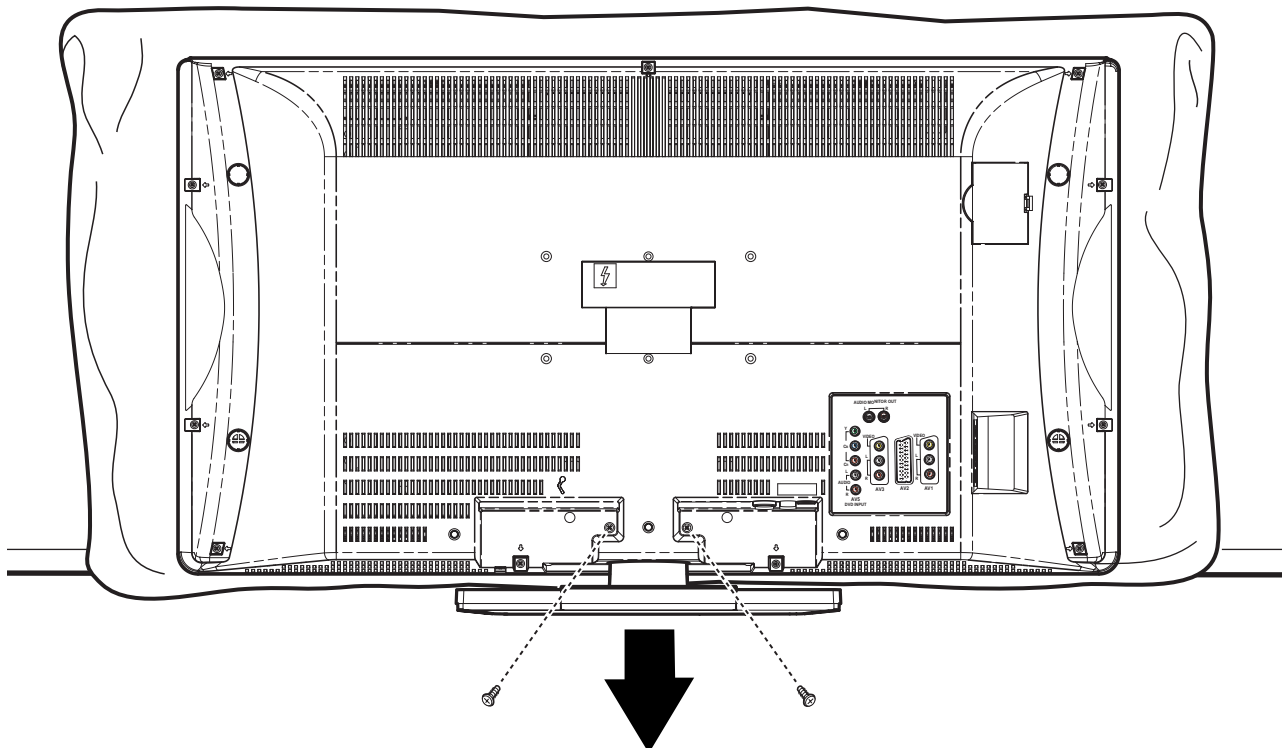
Mechanical Disassembly

1. Stand Removal

1. Position TV face down on a padded or cushioned surface to protect the screen and finish.



2. Remove 2 screws and pull the stand in the direction of the arrow to remove.

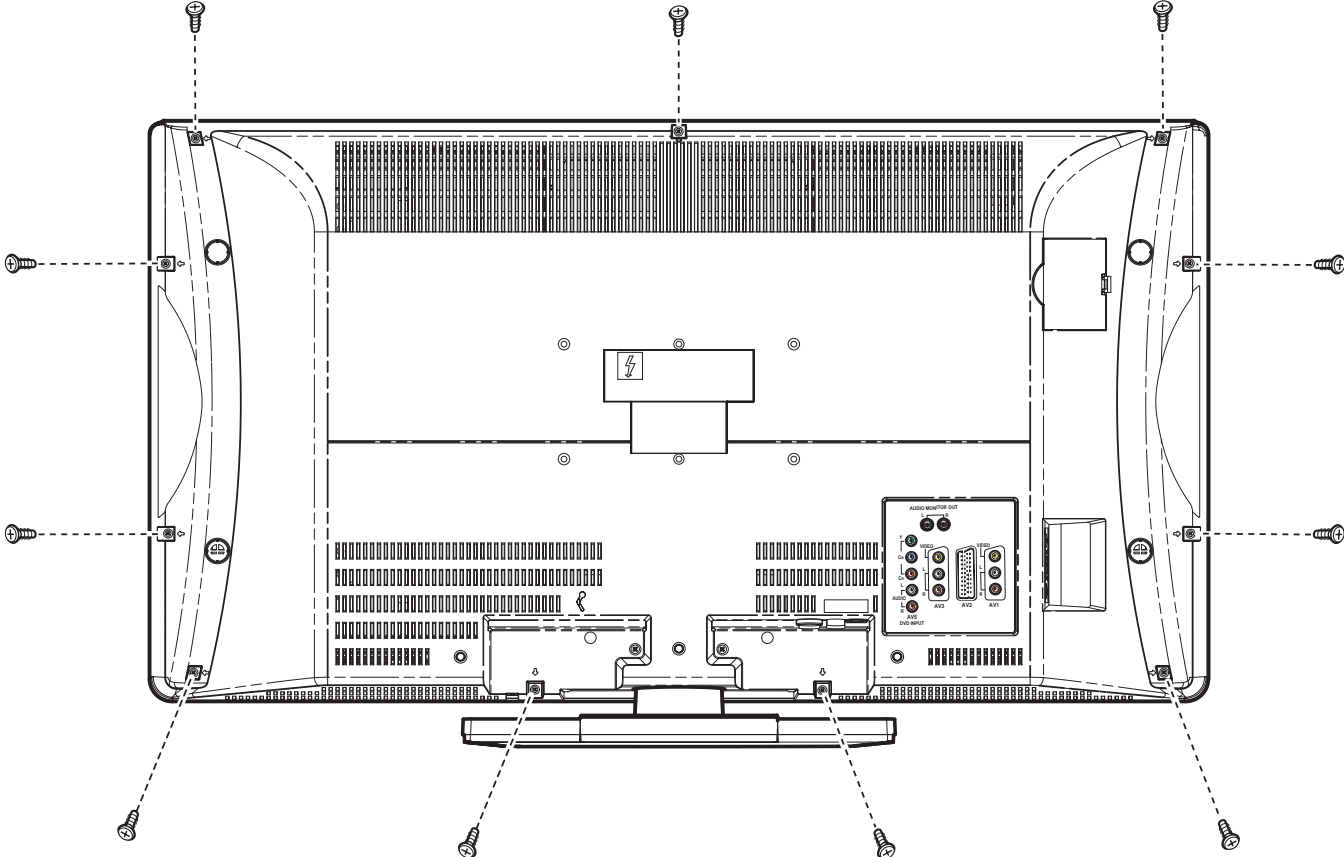


Mechanical Disassembly

2. Cabinet Back Removal

Remove 11 screws and take the Cabinet Back off.

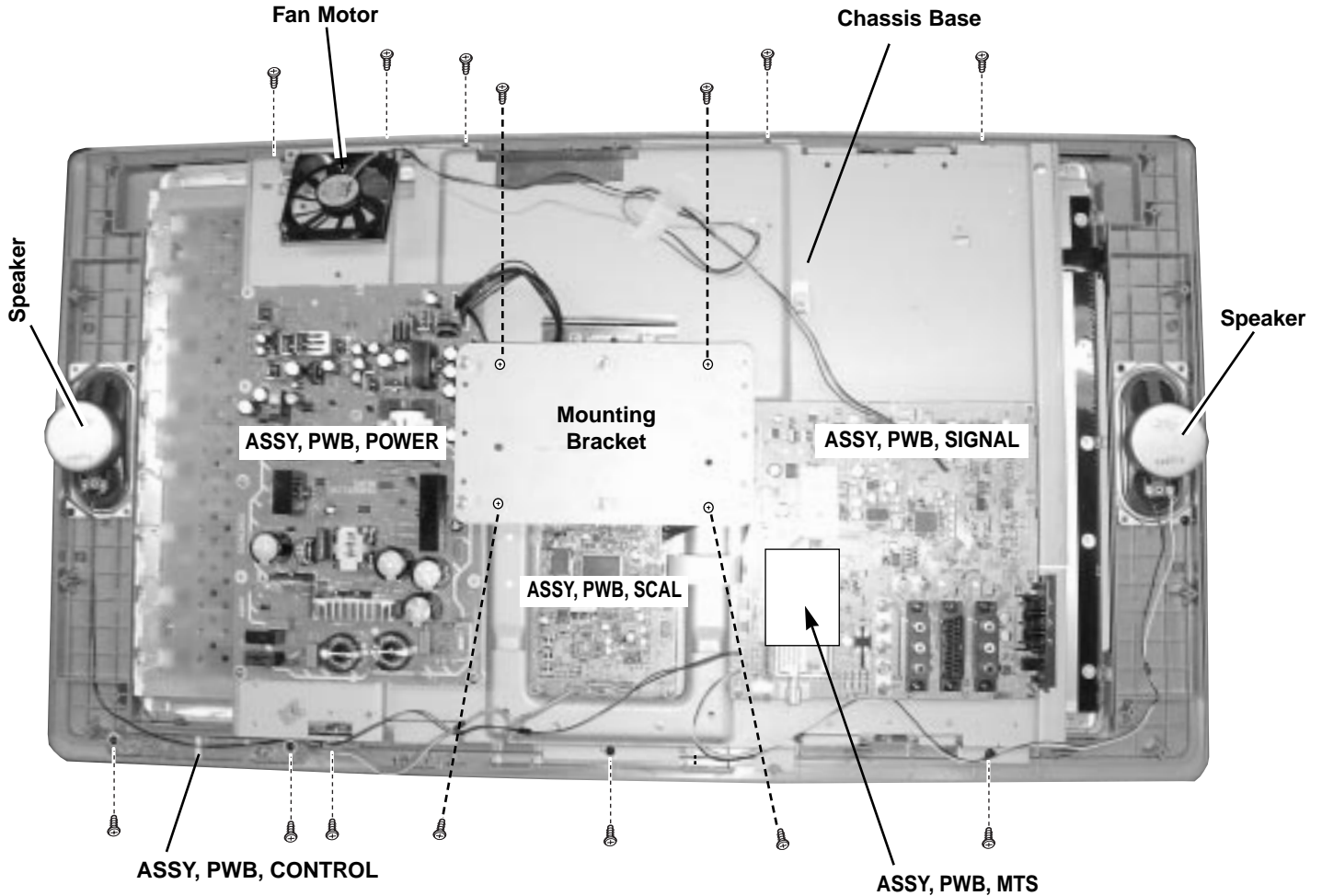
Note: Cabinet Back can be removed even if it does not remove a stand.



Mechanical Disassembly

3. Chassis Removal

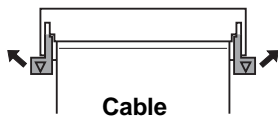
After removing Cabinet Back and Stand, detach Mounting Bracket by removing 4 screws, remove 8 screws of Chassis base, remove 2 screws of ASSY, PWB, CONTROL, disconnect each connectors and the chassis can be taken out.



How to Remove Flat Cable

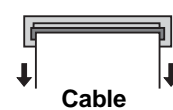
There are following kinds of the connectors of flat cable. Be careful not to damage a connector in the case of removal of a flat cable or attachment.

Type-A



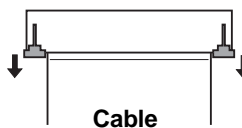
For removal of flat cable, lift up the hook of both sides.
For insert and fixing, hold down the hook after inserting the flat cable.

Type-C



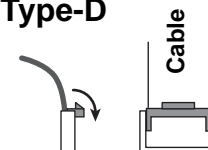
For removal of flat cable, pull off only.
For fixing, insert into the socket.

Type-B



For removal of flat cable, slide the hook of both sides.
For insert and fixing, slide the hook to previous position after inserting the flat cable.

Type-D

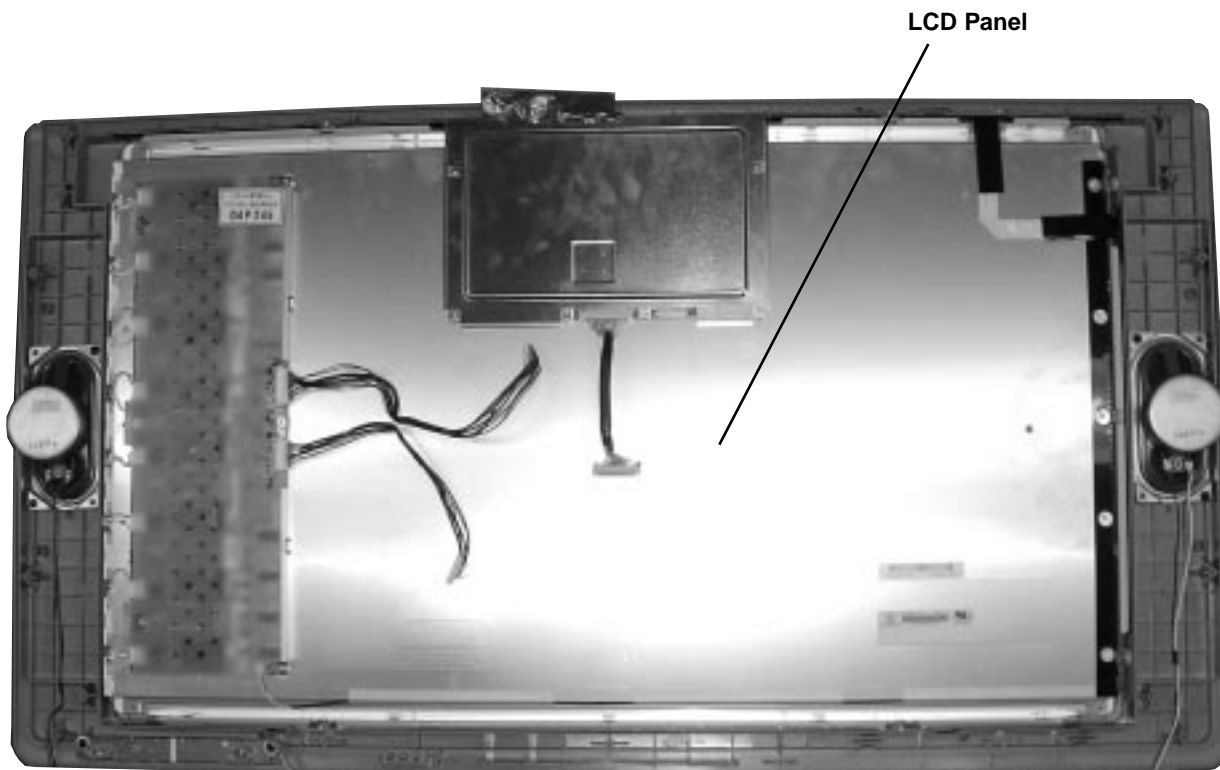


For removal of flat cable, hold down the hook.
For insert and fixing, lift up the hook after inserting the flat cable.

Mechanical Disassembly

4. LCD Panel Removal

The LCD panel can be taken out without removing the screw.

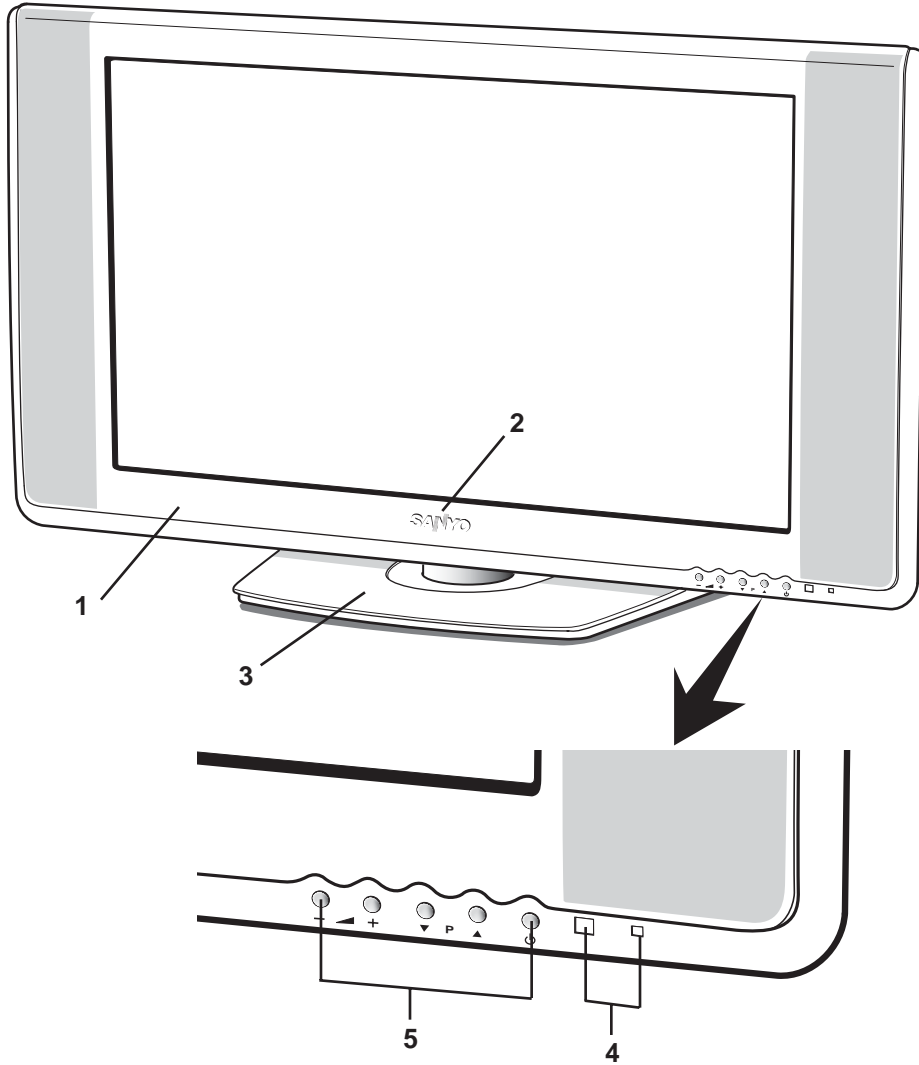


For Gasket

The gasket is provided to prevent exposure of interference for other radio and television receptions. The gasket should be **replaced on previous positions** after servicing.

Cabinet Parts List

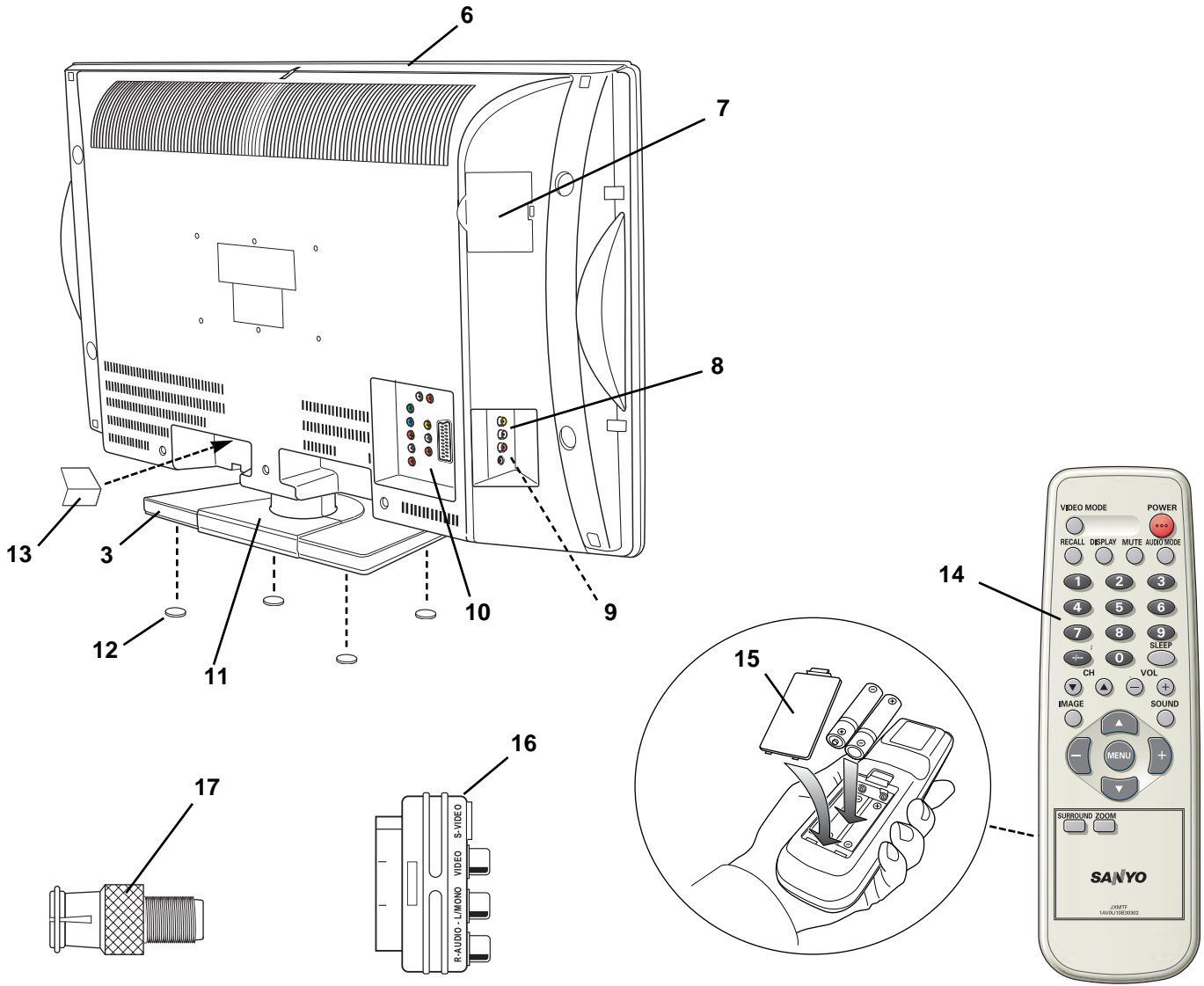
Note: Parts order must contain Service Ref. No., Part No., and descriptions.



Key No.	Part No.	Description	Key No.	Part No.	Description
1	610 325 1349	CABINET FRONT-N2YV			
2	610 324 7953	BADGE SANYO N2WW			
3	610 325 1516	STAND BASE-N2WV			
4	610 319 4639	DEC IND-N2WJ			
5	610 319 4547	BUTTON-N2WJ			

Cabinet Parts List

Note: Parts order must contain Service Ref. No., Part No., and descriptions.



Key No.	Part No.	Description	Key No.	Part No.	Description
6	610 327 3327	CABINET BACK-N2YKB-B			
7	610 319 4622	DOOR-N2WJ			
8	610 325 1493	DEC SHEET SIDE AV-N2WV			
9	610 319 4806	TERMINAL BASE-N2WJ			
10	610 325 1394	DEC SHEET AV-N2WV			
11	610 325 1417	STAND COVER-N2WV			
12	610 317 2033	PAD RUBBER-N2RA(4 used)			
or	610 322 7832	PAD RUBBER-N2RY(4 used)			
13	610 326 2789	DEC SHEET HDMI-N2WV			
14	645 072 9782	ASSY,REMOCON JXMTF			
15	610 297 9879	RC-BATTERY LID-JXMTA			
16	645 069 7449	CONVERSION ADAPTOR			
17	645 082 5941	PLUG,ADAPTOR ANT(PAL)			
	652 001 7528	PLUG,ADAPTOR ANT(PAL)			
	610 325 6658	INSTRUCTION MANUAL-N2WV (For Model LCD-27XL2,LCD-32XL2:SPANISH)			
	610 326 8712	INSTRUCTION MANUAL-N2WVN (For Model LCD-27XL2B,LCD-32XL2B:PORTUGUESE)			

Chassis Electrical Parts List (Model LCD-32XL2 & LCD-32XL2B)

N2YV

Product safety should be considered when a component replacement is made in any area of a receiver. Components indicated by a Δ mark in this parts list and the circuit diagram show components whose value have special significance to product safety. It is particularly recommended that only parts specified on the following parts list be used for components replacement pointed out by the mark.

Note: Parts order must contain Service Ref. No., Part No., and descriptions. The main PCB unit will be supplied without tuner and flyback transformer. They should be ordered separately.

Ref. No.	Part No.	Description	Ref. No.	Part No.	Description
<p>NOTES: Read description in the Capacitor and Resistor as follows:</p> <p>CAPACITOR CERAMIC 100P K 50V</p> <div style="margin-left: 40px;"> <p>Rated Voltage</p> <p>Tolerance Symbols: Less than 10pF A : Not specified B : $\pm 0.1\text{pF}$ C : $\pm 0.25\text{pF}$ D : $\pm 0.5\text{pF}$ F : $\pm 1\text{PF}$ G : $\pm 2\text{pF}$ R : $\pm 0.25\text{-}0\text{pF}$ S : $\pm 0\text{-}0.25\text{pF}$ E : $\pm 0\text{-}1\text{pF}$</p> <p>More than 10pF A : Not specified B : $\pm 0.1\%$ C : $\pm 0.25\%$ D : $\pm 0.5\%$ F : $\pm 1\%$ G : $\pm 2\%$ H : $\pm 3\%$ J : $\pm 5\%$ K : $\pm 10\%$ L : $\pm 15\%$ M : $\pm 20\%$ N : $\pm 30\%$ P : $\pm 100\text{-}0\%$ Q : $\pm 30\text{-}10\%$ T : $\pm 50\text{-}10\%$ U : $\pm 75\text{-}10\%$ V : $\pm 20\text{-}10\%$ W : $\pm 100\text{-}10\%$ X : $\pm 40\text{-}20\%$ Y : $\pm 150\text{-}10\%$ Z : $\pm 80\text{-}20\%$</p> <p>Rated value: P=pico farad, U=micro farad</p> </div> <p>Material: CERAMIC..... Ceramic MT-PAPER..... Metallized Paper POLYESTER..... Polyester MT-POLYEST..... Metallized Polyester POLYPRO..... Polypropylene MT-POLYPRO..... Metallized Polypropylene COMPO FILM..... Composite film MT-COMPO..... Metallized Composite STYRENE..... Styrene TA-SOLID..... Tantalum Solid AL-SOLID..... Aluminium Solid ELECT..... Electrolytic NP-ELECT..... Non-polarised Electrolytic OS-SOLID..... Aluminium Solid with Organic Semiconductive Electrolytic DL-ELECT..... Double Layered Electrolytic</p> <p>RESISTOR CARBON 4.7K J A 1/4W</p> <div style="margin-left: 40px;"> <p>Rated Wattage</p> <p>Performance Symbols: A: General B: Non flammable Z: Low noise Other: Temperature coefficient</p> <p>Tolerance Symbols: A: $\pm 0.05\%$ B: $\pm 0.1\%$ C: $\pm 0.25\%$ D: $\pm 0.5\%$ F: $\pm 1\%$ G: $\pm 2\%$ J: $\pm 5\%$ K: $\pm 10\%$ M: $\pm 20\%$ P: $\pm 5\text{-}15\%$</p> <p>Rated value, ohms: K: 1,000, M: 1,000,000</p> </div> <p>Material: CARBON..... Carbon MT-FILM..... Metal Film OXIDE-MT..... Oxide Metal Film SOLID..... Composition MT-GLAZE..... Metal Glaze WIRE WOUND... Wire Wound CERAMIC RES.. Ceramic FUSIBLE RES.... Fusible</p>			<p>OUT OF CIRCUIT BOARD</p> <p>MISCELLANEOUS</p> <p>Δ EL901 645 075 1905 LCD(V320B1-L01 REVC2) 645 079 6494 LCD(V320B1-L01 REVC3) FN902 645 068 3763 MOTOR,FAN DC K8D-KD 645 078 3920 FLEXIBLE FLAT CABLE KLP2-PN 610 322 8389 CORD 30P 1.25MM(LVDS) SP901 652 001 4473 SPEAKER, 8 SP902 652 001 4473 SPEAKER, 8</p> <p>Δ W900 Model LCD-32XL2: 645 081 8165 CORD,POWER-2.0MK-A5003ARG Model LCD-32XL2B: 645 081 8158 CORD,POWER-2.0MK-A5003BRA</p> <p>610 325 1059 ASSY,PWB,SIGNAL, N2WV 1AA0B10N137MA</p> <p>TRANSISTOR</p> <p>Q001 405 014 4519 TR 2SC2412K T146 R 405 014 4618 TR 2SC2412K T146 S 405 015 8724 TR 2SC2812-L6-TB 405 015 8922 TR 2SC2812-L7-TB 405 163 1612 TR 2SC2812N-L6-TB0 405 173 9813 TR 2SC3928A1R 405 173 9912 TR 2SC3928A1S Q002 405 118 5729 TR 2SD2198-R-DL Q003 405 014 4519 TR 2SC2412K T146 R 405 014 4618 TR 2SC2412K T146 S 405 015 8724 TR 2SC2812-L6-TB 405 015 8922 TR 2SC2812-L7-TB 405 163 1612 TR 2SC2812N-L6-TB0 405 173 9813 TR 2SC3928A1R 405 173 9912 TR 2SC3928A1S Q004 405 014 4519 TR 2SC2412K T146 R 405 014 4618 TR 2SC2412K T146 S 405 015 8724 TR 2SC2812-L6-TB 405 015 8922 TR 2SC2812-L7-TB 405 163 1612 TR 2SC2812N-L6-TB0 405 173 9813 TR 2SC3928A1R 405 173 9912 TR 2SC3928A1S Q1003 405 134 5925 TR 2SA1037AK-T146-R 405 147 2215 TR 2SA1037AK-S-T146 405 002 0318 TR 2SA1037K T146 R 405 002 0417 TR 2SA1037K T146 S 405 002 6726 TR 2SA1179-M6-TB 405 002 6924 TR 2SA1179-M7-TB 405 163 1513 TR 2SA1179N-M6-TB 405 173 9615 TR 2SA1235A1E 405 173 9714 TR 2SA1235A1F Q1004 405 014 4519 TR 2SC2412K T146 R 405 014 4618 TR 2SC2412K T146 S 405 015 8724 TR 2SC2812-L6-TB 405 015 8922 TR 2SC2812-L7-TB 405 163 1612 TR 2SC2812N-L6-TB0</p>		

Ref. No.	Part No.	Description	Ref. No.	Part No.	Description
Q1005	405 173 9813	TR 2SC3928A1R	Q1856	405 015 8922	TR 2SC2812-L7-TB
	405 173 9912	TR 2SC3928A1S		405 163 1612	TR 2SC2812N-L6-TB0
	405 014 4519	TR 2SC2412K T146 R		405 173 9813	TR 2SC3928A1R
	405 014 4618	TR 2SC2412K T146 S		405 173 9912	TR 2SC3928A1S
	405 015 8724	TR 2SC2812-L6-TB		405 014 4519	TR 2SC2412K T146 R
Q114	405 015 8922	TR 2SC2812-L7-TB	Q6606	405 014 4618	TR 2SC2412K T146 S
	405 163 1612	TR 2SC2812N-L6-TB0		405 015 8724	TR 2SC2812-L6-TB
	405 173 9813	TR 2SC3928A1R		405 015 8922	TR 2SC2812-L7-TB
	405 173 9912	TR 2SC3928A1S		405 163 1612	TR 2SC2812N-L6-TB0
	405 210 9912	TR 2SC5730-R		405 173 9813	TR 2SC3928A1R
Q1201	405 014 4519	TR 2SC2412K T146 R	Q6607	405 173 9912	TR 2SC3928A1S
	405 014 4618	TR 2SC2412K T146 S		405 014 4519	TR 2SC2412K T146 R
	405 015 8724	TR 2SC2812-L6-TB		405 014 4618	TR 2SC2412K T146 S
	405 015 8922	TR 2SC2812-L7-TB		405 015 8724	TR 2SC2812-L6-TB
	405 163 1612	TR 2SC2812N-L6-TB0		405 015 8922	TR 2SC2812-L7-TB
Q1202	405 173 9813	TR 2SC3928A1R	Q6607	405 163 1612	TR 2SC2812N-L6-TB0
	405 173 9912	TR 2SC3928A1S		405 173 9813	TR 2SC3928A1R
	405 134 5925	TR 2SA1037AK-T146-R		405 173 9912	TR 2SC3928A1S
	405 147 2215	TR 2SA1037AK-S-T146		405 014 4519	TR 2SC2412K T146 R
	405 002 0318	TR 2SA1037K T146 R		405 014 4618	TR 2SC2412K T146 S
Q1262	405 002 0417	TR 2SA1037K T146 S	Q6607	405 015 8724	TR 2SC2812-L6-TB
	405 002 6726	TR 2SA1179-M6-TB		405 015 8922	TR 2SC2812-L7-TB
	405 002 6924	TR 2SA1179-M7-TB		405 163 1612	TR 2SC2812N-L6-TB0
	405 163 1513	TR 2SA1179N-M6-TB		405 173 9813	TR 2SC3928A1R
	405 173 9615	TR 2SA1235A1E		405 173 9912	TR 2SC3928A1S
Q131	405 173 9714	TR 2SA1235A1F	Q6607	405 014 4519	TR 2SC2412K T146 R
	405 014 4519	TR 2SC2412K T146 R		405 014 4618	TR 2SC2412K T146 S
	405 014 4618	TR 2SC2412K T146 S		405 015 8724	TR 2SC2812-L6-TB
	405 015 8724	TR 2SC2812-L6-TB		405 015 8922	TR 2SC2812-L7-TB
	405 015 8922	TR 2SC2812-L7-TB		405 163 1612	TR 2SC2812N-L6-TB0
Q133	405 163 1612	TR 2SC2812N-L6-TB0	Q6607	405 173 9813	TR 2SC3928A1R
	405 173 9813	TR 2SC3928A1R		405 173 9912	TR 2SC3928A1S
	405 173 9912	TR 2SC3928A1S		405 014 4519	TR 2SC2412K T146 R
	405 014 4519	TR 2SC2412K T146 R		405 014 4618	TR 2SC2412K T146 S
	405 014 4618	TR 2SC2412K T146 S		405 015 8724	TR 2SC2812-L6-TB
Q134	405 015 8724	TR 2SC2812-L6-TB	Q6607	405 015 8922	TR 2SC2812-L7-TB
	405 015 8922	TR 2SC2812-L7-TB		405 163 1612	TR 2SC2812N-L6-TB0
	405 163 1612	TR 2SC2812N-L6-TB0		405 173 9813	TR 2SC3928A1R
	405 173 9813	TR 2SC3928A1R		405 173 9912	TR 2SC3928A1S
	405 173 9912	TR 2SC3928A1S		405 134 5925	TR 2SA1037AK-T146-R
Q1851	405 134 5925	TR 2SA1037AK-T146-R	Q6607	405 147 2215	TR 2SA1037AK-S-T146
	405 147 2215	TR 2SA1037AK-S-T146		405 002 0318	TR 2SA1037K T146 R
	405 002 0318	TR 2SA1037K T146 R		405 002 0417	TR 2SA1037K T146 S
	405 002 0417	TR 2SA1037K T146 S		405 002 6726	TR 2SA1179-M6-TB
	405 002 6726	TR 2SA1179-M6-TB		405 002 6924	TR 2SA1179-M7-TB
Q1854	405 002 6924	TR 2SA1179-M7-TB	Q6607	405 163 1513	TR 2SA1179N-M6-TB
	405 163 1513	TR 2SA1179N-M6-TB		405 173 9615	TR 2SA1235A1E
	405 173 9615	TR 2SA1235A1E		405 173 9714	TR 2SA1235A1F
	405 173 9714	TR 2SA1235A1F		405 148 2917	TR 2SC5103 TL P
	405 148 2917	TR 2SC5103 TL P		405 014 4519	TR 2SC2412K T146 R
Q1855	405 014 4519	TR 2SC2412K T146 R	Q6607	405 014 4618	TR 2SC2412K T146 S
	405 014 4618	TR 2SC2412K T146 S		405 015 8724	TR 2SC2812-L6-TB
	405 015 8724	TR 2SC2812-L6-TB		405 015 8922	TR 2SC2812-L7-TB
	405 015 8922	TR 2SC2812-L7-TB		405 163 1612	TR 2SC2812N-L6-TB0
	405 163 1612	TR 2SC2812N-L6-TB0		405 173 9813	TR 2SC3928A1R
Q1855	405 173 9813	TR 2SC3928A1R	Q6607	405 173 9912	TR 2SC3928A1S
	405 173 9912	TR 2SC3928A1S		405 014 4519	TR 2SC2412K T146 R
	405 014 4519	TR 2SC2412K T146 R		405 014 4618	TR 2SC2412K T146 S
	405 014 4618	TR 2SC2412K T146 S		405 015 8724	TR 2SC2812-L6-TB
	405 015 8724	TR 2SC2812-L6-TB			
INTEGRATED CIRCUIT					
	IC001	409 591 8707	IC	LA4919N-E	
	IC101	409 549 8219	IC	TDA9886TS/V4	
	IC1222	409 051 2722	IC	TC4052BF(EL)	
	IC1224	409 631 2217	IC	BA7626F	
	IC1251	409 311 4121	IC	BA7603F	
	IC1841	409 644 2013	IC	BA2903F	
		409 039 6322	IC	NJM2903M-T2	
	IC1851	409 644 1917	IC	BA2904F	
		409 039 6629	IC	NJM2904-T2	
	IC3451	409 550 6815	IC	STV8216T	
	IC3501	409 501 0411	IC	NJM2155M	
	IC6604	409 493 2912	IC	SI-3012LU-TL	
	IC6606	409 503 8019	IC	BA05SFP	
	IC6608	409 578 0314	IC	BA18BC0FP	
	IC6642	409 588 6313	IC	BA33BC0FP	
CAPACITOR					
	C001	403 314 5915	CERAMIC	0.47U K	16V
	C002	403 314 5915	CERAMIC	0.47U K	16V
	C003	403 387 6918	ELECT	100U M	25V
	C004	403 387 7212	ELECT	47U M	25V
	C005	403 398 4712	ELECT	22U M	25V
		403 184 8313	ELECT	22U M	25V
	C006	403 314 5915	CERAMIC	0.47U K	16V
	C007	403 398 6518	ELECT	2.2U M	50V
		403 184 8511	ELECT	2.2U M	50V
	C008	403 314 5915	CERAMIC	0.47U K	16V
	C009	403 155 2319	CERAMIC	4700P K	50V
	C010	403 155 2319	CERAMIC	4700P K	50V
	C013	403 113 3815	CERAMIC	1000P K	50V
	C014	403 409 9306	ELECT	1000U M	16V
	C015	403 372 7517	CERAMIC	2.2U K	6.3V
	C019	403 207 0317	CERAMIC	1U Z	16V
	C020	403 207 0317	CERAMIC	1U Z	16V
	C021	403 281 5215	CERAMIC	0.22U Z	16V
	C022	403 281 5215	CERAMIC	0.22U Z	16V
	C023	403 281 5215	CERAMIC	0.22U Z	16V
	C024	403 281 5215	CERAMIC	0.22U Z	16V
	C025	403 336 3517	CERAMIC	0.47U K	16V
	C026	403 336 3517	CERAMIC	0.47U K	16V

Ref. No.	Part No.	Description	Ref. No.	Part No.	Description
C027	403 387 6918	ELECT 100U M 25V		403 370 7618	CERAMIC 10U M 6.3V
C028	403 387 6918	ELECT 100U M 25V	C113	403 155 2319	CERAMIC 4700P K 50V
C031	403 215 2211	CERAMIC 0.01U K 50V	C114	403 155 2319	CERAMIC 4700P K 50V
C032	403 215 2211	CERAMIC 0.01U K 50V	C115	403 155 2319	CERAMIC 4700P K 50V
C033	403 215 2211	CERAMIC 0.01U K 50V	C116	403 172 6116	CERAMIC 270P J 50V
C034	403 215 2211	CERAMIC 0.01U K 50V	C117	403 073 1210	CERAMIC 0.033U K 50V
C041	403 281 5215	CERAMIC 0.22U Z 16V	C120	403 215 2211	CERAMIC 0.01U K 50V
C042	403 281 5215	CERAMIC 0.22U Z 16V	C1200	403 323 8815	CERAMIC 2.2U Z 16V
C043	403 281 5215	CERAMIC 0.22U Z 16V	C1202	403 398 3210	ELECT 47U M 10V
C044	403 281 5215	CERAMIC 0.22U Z 16V		403 174 6213	ELECT 47U M 10V
C049	403 155 2319	CERAMIC 4700P K 50V	C1204	403 207 0317	CERAMIC 1U Z 16V
C050	403 155 2319	CERAMIC 4700P K 50V	C1205	403 323 8815	CERAMIC 2.2U Z 16V
C051	403 382 7811	CERAMIC 2.2U K 10V	C1208	403 207 0317	CERAMIC 1U Z 16V
C1003	403 157 3611	CERAMIC 100P J 50V	C121	403 157 6513	CERAMIC 390P K 50V
C1005	403 157 3611	CERAMIC 100P J 50V	C1211	403 153 9310	CERAMIC 82P J 50V
C1006	403 157 3611	CERAMIC 100P J 50V	C1212	403 153 9310	CERAMIC 82P J 50V
C1007	403 157 3611	CERAMIC 100P J 50V	C1213	403 323 8815	CERAMIC 2.2U Z 16V
C1008	403 157 3611	CERAMIC 100P J 50V	C1214	403 153 9310	CERAMIC 82P J 50V
C1009	403 157 3611	CERAMIC 100P J 50V	C1215	403 323 8815	CERAMIC 2.2U Z 16V
C101	403 391 5716	ELECT 4.7U M 25V	C1218	403 153 9310	CERAMIC 82P J 50V
	403 184 8412	ELECT 4.7U M 25V	C122	403 215 2211	CERAMIC 0.01U K 50V
C1010	403 215 2211	CERAMIC 0.01U K 50V	C1228	403 207 0317	CERAMIC 1U Z 16V
C1011	403 398 3210	ELECT 47U M 10V	C1229	403 207 0317	CERAMIC 1U Z 16V
	403 174 6213	ELECT 47U M 10V	C123	403 314 5915	CERAMIC 0.47U K 16V
C1012	403 157 3611	CERAMIC 100P J 50V	C1230	403 164 0214	CERAMIC 0.1U Z 25V
C1013	403 323 8815	CERAMIC 2.2U Z 16V	C125	403 139 7118	CERAMIC 12P J 50V
C1014	403 323 8815	CERAMIC 2.2U Z 16V	C1251	403 207 0317	CERAMIC 1U Z 16V
C1015	403 157 3611	CERAMIC 100P J 50V	C1252	403 207 0317	CERAMIC 1U Z 16V
C1016	403 157 3611	CERAMIC 100P J 50V	C1253	403 207 0317	CERAMIC 1U Z 16V
C1017	403 157 3611	CERAMIC 100P J 50V	C1254	403 153 9310	CERAMIC 82P J 50V
C1018	403 157 3611	CERAMIC 100P J 50V	C1255	403 323 8815	CERAMIC 2.2U Z 16V
C1019	403 157 3611	CERAMIC 100P J 50V	C1256	403 207 0317	CERAMIC 1U Z 16V
C102	403 215 2211	CERAMIC 0.01U K 50V	C1257	403 207 0317	CERAMIC 1U Z 16V
C1021	403 157 3611	CERAMIC 100P J 50V	C1258	403 207 0317	CERAMIC 1U Z 16V
C1022	403 323 8815	CERAMIC 2.2U Z 16V	C131	403 215 2211	CERAMIC 0.01U K 50V
C1023	403 157 3611	CERAMIC 100P J 50V	C132	403 215 2211	CERAMIC 0.01U K 50V
C1024	403 323 8815	CERAMIC 2.2U Z 16V	C133	403 398 4415	ELECT 10U M 25V
C1025	403 157 3611	CERAMIC 100P J 50V		403 184 8214	ELECT 10U M 25V
C1026	403 157 3611	CERAMIC 100P J 50V	C134	403 149 9218	CERAMIC 0.01U Z 50V
C1027	403 157 3611	CERAMIC 100P J 50V	C137	403 256 5011	CERAMIC 560P J 50V
C1028	403 157 3611	CERAMIC 100P J 50V	C138	403 256 5011	CERAMIC 560P J 50V
C103	403 224 3414	ELECT 220U M 6.3V	C141	403 314 5915	CERAMIC 0.47U K 16V
C1031	403 157 3611	CERAMIC 100P J 50V	C142	403 269 5916	CERAMIC 0.22U K 16V
C1032	403 323 8815	CERAMIC 2.2U Z 16V	C143	403 155 2111	CERAMIC 1500P K 50V
C1033	403 323 8815	CERAMIC 2.2U Z 16V	C144	403 155 2418	CERAMIC 5600P K 50V
C1034	403 157 3611	CERAMIC 100P J 50V	C146	403 113 3815	CERAMIC 1000P K 50V
C1036	403 323 8815	CERAMIC 2.2U Z 16V	C147	403 113 3815	CERAMIC 1000P K 50V
C1037	403 323 8815	CERAMIC 2.2U Z 16V	C148	403 157 7114	CERAMIC 2700P K 50V
C1038	403 323 8815	CERAMIC 2.2U Z 16V	C149	401 105 1719	MT-GLAZE 150K JA 1/16W
C1039	403 323 8815	CERAMIC 2.2U Z 16V	C150	401 105 1719	MT-GLAZE 150K JA 1/16W
C104	403 215 2211	CERAMIC 0.01U K 50V	C151	401 105 2815	MT-GLAZE 2.2K JA 1/16W
C1041	403 157 3611	CERAMIC 100P J 50V	C1841	403 398 4712	ELECT 22U M 25V
C1042	403 157 3611	CERAMIC 100P J 50V		403 184 8313	ELECT 22U M 25V
C1043	403 157 3611	CERAMIC 100P J 50V	C1851	403 398 4712	ELECT 22U M 25V
C1044	403 157 3611	CERAMIC 100P J 50V		403 184 8313	ELECT 22U M 25V
C1045	403 207 0317	CERAMIC 1U Z 16V	C1858	403 149 9218	CERAMIC 0.01U Z 50V
C1046	403 207 0317	CERAMIC 1U Z 16V	C1861	403 149 9218	CERAMIC 0.01U Z 50V
C1047	403 207 0317	CERAMIC 1U Z 16V	C1862	403 398 4712	ELECT 22U M 25V
C1050	403 215 2211	CERAMIC 0.01U K 50V		403 184 8313	ELECT 22U M 25V
C106	403 073 1210	CERAMIC 0.033U K 50V	C1863	403 164 0214	CERAMIC 0.1U Z 25V
C107	403 073 1210	CERAMIC 0.033U K 50V	C3406	403 164 0214	CERAMIC 0.1U Z 25V
C108	403 215 2211	CERAMIC 0.01U K 50V	C3408	401 105 7919	MT-GLAZE 0.000 ZA 1/16W
C111	403 215 2211	CERAMIC 0.01U K 50V	C3431	403 157 3611	CERAMIC 100P J 50V
C1116	403 207 0317	CERAMIC 1U Z 16V	C3433	403 157 3611	CERAMIC 100P J 50V
C1117	403 207 0317	CERAMIC 1U Z 16V	C3441	403 157 3611	CERAMIC 100P J 50V
C1118	403 207 0317	CERAMIC 1U Z 16V	C3442	403 279 4312	CERAMIC 0.33U K 16V
C112	403 368 7316	CERAMIC 10U K 6.3V	C3443	403 157 3611	CERAMIC 100P J 50V

Ref. No.	Part No.	Description	Ref. No.	Part No.	Description
C3444	403 279 4312	CERAMIC 0.33U K 16V	C6632	403 279 4312	CERAMIC 0.33U K 16V
C3445	403 157 3611	CERAMIC 100P J 50V	C6633	403 391 5815	ELECT 100U M 6.3V
C3446	403 279 4312	CERAMIC 0.33U K 16V		403 178 6318	ELECT 100U M 6.3V
C3447	403 157 3611	CERAMIC 100P J 50V	C6634	403 279 4312	CERAMIC 0.33U K 16V
C3448	403 279 4312	CERAMIC 0.33U K 16V	C6635	403 391 5815	ELECT 100U M 6.3V
C3449	403 164 0214	CERAMIC 0.1U Z 25V		403 178 6318	ELECT 100U M 6.3V
C3450	403 398 4415	ELECT 10U M 25V	C6636	403 279 4312	CERAMIC 0.33U K 16V
	403 184 8214	ELECT 10U M 25V	C6637	403 391 5815	ELECT 100U M 6.3V
C3451	403 269 5916	CERAMIC 0.22U K 16V		403 178 6318	ELECT 100U M 6.3V
C3452	403 164 0214	CERAMIC 0.1U Z 25V	RESISTOR		
C3455	403 164 0214	CERAMIC 0.1U Z 25V	R001	401 105 7919	MT-GLAZE 0.000 ZA 1/16W
C3457	403 368 7316	CERAMIC 10U K 6.3V	R002	401 105 7919	MT-GLAZE 0.000 ZA 1/16W
C3458	403 368 7316	CERAMIC 10U K 6.3V	R003	401 105 2013	MT-GLAZE 1.8K JA 1/16W
C3461	403 164 0214	CERAMIC 0.1U Z 25V	R004	401 105 4215	MT-GLAZE 33K JA 1/16W
C3462	403 398 4415	ELECT 10U M 25V	R005	401 105 2013	MT-GLAZE 1.8K JA 1/16W
	403 184 8214	ELECT 10U M 25V	R006	401 105 4215	MT-GLAZE 33K JA 1/16W
C3463	403 164 0214	CERAMIC 0.1U Z 25V	R008	401 105 4215	MT-GLAZE 33K JA 1/16W
C3464	403 398 4415	ELECT 10U M 25V	R009	401 105 2914	MT-GLAZE 22K JA 1/16W
	403 184 8214	ELECT 10U M 25V	R010	401 105 0613	MT-GLAZE 10K JA 1/16W
C3465	403 164 0214	CERAMIC 0.1U Z 25V	R011	401 276 4717	MT-GLAZE 0.000 ZA 1/3W
C3466	403 398 4415	ELECT 10U M 25V	R012	401 276 4717	MT-GLAZE 0.000 ZA 1/3W
	403 184 8214	ELECT 10U M 25V	R013	401 037 5014	MT-GLAZE 0.000 ZA 1/10W
C3467	403 164 0214	CERAMIC 0.1U Z 25V	R021	401 259 1511	MT-GLAZE 2.2 JA 1/3W
C3468	403 398 4415	ELECT 10U M 25V	R022	401 259 1511	MT-GLAZE 2.2 JA 1/3W
	403 184 8214	ELECT 10U M 25V	R023	401 259 1511	MT-GLAZE 2.2 JA 1/3W
C3469	403 164 0214	CERAMIC 0.1U Z 25V	R024	401 259 1511	MT-GLAZE 2.2 JA 1/3W
C3470	403 398 4415	ELECT 10U M 25V	R026	401 105 0316	MT-GLAZE 10 JA 1/16W
	403 184 8214	ELECT 10U M 25V	R027	401 105 0316	MT-GLAZE 10 JA 1/16W
C3477	403 398 4415	ELECT 10U M 25V	R028	401 105 6516	MT-GLAZE 680 JA 1/16W
	403 184 8214	ELECT 10U M 25V	R029	401 105 6516	MT-GLAZE 680 JA 1/16W
C3478	403 164 0214	CERAMIC 0.1U Z 25V	R041	401 105 0613	MT-GLAZE 10K JA 1/16W
C3481	403 155 4214	CERAMIC 15P J 50V	R042	401 105 0613	MT-GLAZE 10K JA 1/16W
C3482	403 139 7316	CERAMIC 18P J 50V	R043	401 105 1511	MT-GLAZE 1.5K JA 1/16W
C3483	403 164 0214	CERAMIC 0.1U Z 25V	R045	401 105 1511	MT-GLAZE 1.5K JA 1/16W
C3484	403 155 2418	CERAMIC 5600P K 50V	R049	401 105 2914	MT-GLAZE 22K JA 1/16W
C3486	403 164 0214	CERAMIC 0.1U Z 25V	R051	401 105 4215	MT-GLAZE 33K JA 1/16W
C3487	403 391 5815	ELECT 100U M 6.3V	R052	401 276 4717	MT-GLAZE 0.000 ZA 1/3W
	403 178 6318	ELECT 100U M 6.3V	R1001	401 105 1412	MT-GLAZE 150 JA 1/16W
C3501	403 387 6918	ELECT 100U M 25V	R1002	401 105 1412	MT-GLAZE 150 JA 1/16W
C3502	403 325 6314	CERAMIC 0.22U K 10V	R1005	401 105 2815	MT-GLAZE 2.2K JA 1/16W
C3503	403 325 6314	CERAMIC 0.22U K 10V	R1007	401 105 2815	MT-GLAZE 2.2K JA 1/16W
C3504	403 342 3310	CERAMIC 0.1U K 25V	R1009	401 105 2815	MT-GLAZE 2.2K JA 1/16W
C3505	403 272 5613	CERAMIC 0.033U K 16V	R101	401 105 0415	MT-GLAZE 100 JA 1/16W
C3506	403 155 2210	CERAMIC 3300P K 50V	R1012	401 105 4116	MT-GLAZE 3.3K JA 1/16W
C3507	403 398 4415	ELECT 10U M 25V	R1013	401 105 2716	MT-GLAZE 220 JA 1/16W
	403 184 8214	ELECT 10U M 25V	R1014	401 105 2815	MT-GLAZE 2.2K JA 1/16W
C3508	403 398 4415	ELECT 10U M 25V	R1015	401 105 2815	MT-GLAZE 2.2K JA 1/16W
	403 184 8214	ELECT 10U M 25V	R1016	401 105 2815	MT-GLAZE 2.2K JA 1/16W
C3509	403 155 2210	CERAMIC 3300P K 50V	R1017	401 105 2716	MT-GLAZE 220 JA 1/16W
C3510	403 272 5613	CERAMIC 0.033U K 16V	R1018	401 105 2716	MT-GLAZE 220 JA 1/16W
C3511	403 207 0317	CERAMIC 1U Z 16V	R1019	401 105 2716	MT-GLAZE 220 JA 1/16W
C3512	403 398 4415	ELECT 10U M 25V	R102	401 105 0415	MT-GLAZE 100 JA 1/16W
	403 184 8214	ELECT 10U M 25V	R1020	401 105 0415	MT-GLAZE 100 JA 1/16W
C3513	403 368 7316	CERAMIC 10U K 6.3V	R1021	401 105 1412	MT-GLAZE 150 JA 1/16W
	403 370 7618	CERAMIC 10U M 6.3V	R1022	401 105 1412	MT-GLAZE 150 JA 1/16W
C3514	403 207 0317	CERAMIC 1U Z 16V	R1023	401 037 2815	MT-GLAZE 75 JA 1/8W
C3515	403 368 7316	CERAMIC 10U K 6.3V	R1024	401 105 0514	MT-GLAZE 1K JA 1/16W
	403 370 7618	CERAMIC 10U M 6.3V	R1026	401 105 0514	MT-GLAZE 1K JA 1/16W
C6602	403 149 9218	CERAMIC 0.01U Z 50V	R1027	401 260 8417	MT-GLAZE 22 JA 1/3W
C6604	403 397 6014	ELECT 1000U M 10V	R1028	401 105 2815	MT-GLAZE 2.2K JA 1/16W
C6618	403 397 6717	ELECT 470U M 25V	R1029	401 105 2815	MT-GLAZE 2.2K JA 1/16W
C6624	403 164 0214	CERAMIC 0.1U Z 25V	R103	401 105 7919	MT-GLAZE 0.000 ZA 1/16W
C6626	403 391 5112	ELECT 100U M 16V	R1030	401 105 2716	MT-GLAZE 220 JA 1/16W
	403 296 9512	ELECT 100U M 16V	R1031	401 105 0613	MT-GLAZE 10K JA 1/16W
C6628	403 397 6014	ELECT 1000U M 10V	R1032	401 105 4116	MT-GLAZE 3.3K JA 1/16W
C6630	403 391 5815	ELECT 100U M 6.3V	R1033	401 105 2716	MT-GLAZE 220 JA 1/16W
	403 178 6318	ELECT 100U M 6.3V			

Ref. No.	Part No.	Description	Ref. No.	Part No.	Description
R1034	401 105 2716	MT-GLAZE 220 JA 1/16W	R1255	401 105 1412	MT-GLAZE 150 JA 1/16W
R1035	401 105 2716	MT-GLAZE 220 JA 1/16W	R1256	401 105 1412	MT-GLAZE 150 JA 1/16W
R1036	401 113 4412	MT-GLAZE 75 JA 1/16W	R1257	401 105 7919	MT-GLAZE 0.000 ZA 1/16W
R1037	401 113 4412	MT-GLAZE 75 JA 1/16W	R1258	401 105 7919	MT-GLAZE 0.000 ZA 1/16W
R1038	401 113 4412	MT-GLAZE 75 JA 1/16W	R1259	401 105 7919	MT-GLAZE 0.000 ZA 1/16W
R104	401 105 0613	MT-GLAZE 10K JA 1/16W	R1263	401 105 1917	MT-GLAZE 180 JA 1/16W
R1040	401 113 4412	MT-GLAZE 75 JA 1/16W	R1264	401 105 1917	MT-GLAZE 180 JA 1/16W
R1044	401 105 0415	MT-GLAZE 100 JA 1/16W	R1283	401 105 3218	MT-GLAZE 270 JA 1/16W
R1046	401 113 4412	MT-GLAZE 75 JA 1/16W	R1284	401 105 3218	MT-GLAZE 270 JA 1/16W
R1047	401 113 4412	MT-GLAZE 75 JA 1/16W	R130	401 105 7919	MT-GLAZE 0.000 ZA 1/16W
R1049	401 113 4412	MT-GLAZE 75 JA 1/16W	R131	401 105 5915	MT-GLAZE 560 JA 1/16W
R1051	401 105 0415	MT-GLAZE 100 JA 1/16W	R139	401 105 3218	MT-GLAZE 270 JA 1/16W
R1052	401 105 0415	MT-GLAZE 100 JA 1/16W	R140	401 105 2013	MT-GLAZE 1.8K JA 1/16W
R1054	401 105 2815	MT-GLAZE 2.2K JA 1/16W	R142	401 105 2716	MT-GLAZE 220 JA 1/16W
R1055	401 105 2815	MT-GLAZE 2.2K JA 1/16W	R144	401 105 0415	MT-GLAZE 100 JA 1/16W
R1056	401 105 1412	MT-GLAZE 150 JA 1/16W	R150	401 037 5014	MT-GLAZE 0.000 ZA 1/10W
R1057	401 105 1412	MT-GLAZE 150 JA 1/16W	R151	401 037 5014	MT-GLAZE 0.000 ZA 1/10W
R1058	401 105 0613	MT-GLAZE 10K JA 1/16W	R152	401 037 5014	MT-GLAZE 0.000 ZA 1/10W
R1059	401 105 4116	MT-GLAZE 3.3K JA 1/16W	R153	401 037 5014	MT-GLAZE 0.000 ZA 1/10W
R1064	401 105 2815	MT-GLAZE 2.2K JA 1/16W	R154	401 037 5014	MT-GLAZE 0.000 ZA 1/10W
R1065	401 105 2815	MT-GLAZE 2.2K JA 1/16W	R155	401 037 5014	MT-GLAZE 0.000 ZA 1/10W
R107	401 105 7919	MT-GLAZE 0.000 ZA 1/16W	R156	401 037 5014	MT-GLAZE 0.000 ZA 1/10W
R1071	401 105 1412	MT-GLAZE 150 JA 1/16W	R157	401 037 5014	MT-GLAZE 0.000 ZA 1/10W
R1072	401 105 1412	MT-GLAZE 150 JA 1/16W	R158	401 037 5014	MT-GLAZE 0.000 ZA 1/10W
R1073	401 105 2815	MT-GLAZE 2.2K JA 1/16W	R159	401 037 5014	MT-GLAZE 0.000 ZA 1/10W
R1074	401 105 2815	MT-GLAZE 2.2K JA 1/16W	R161	401 105 6615	MT-GLAZE 6.8K JA 1/16W
R1078	401 105 8213	MT-GLAZE 68K JA 1/16W	R162	401 105 2112	MT-GLAZE 18K JA 1/16W
R1079	401 105 8213	MT-GLAZE 68K JA 1/16W	R1837	401 105 6011	MT-GLAZE 5.6K JA 1/16W
R1080	401 105 7919	MT-GLAZE 0.000 ZA 1/16W	R1838	401 105 6011	MT-GLAZE 5.6K JA 1/16W
R1081	401 105 5915	MT-GLAZE 560 JA 1/16W	R1839	401 105 6011	MT-GLAZE 5.6K JA 1/16W
R109	401 105 2617	MT-GLAZE 22 JA 1/16W	R1840	401 105 7414	MT-GLAZE 8.2K JA 1/16W
R110	401 105 4215	MT-GLAZE 33K JA 1/16W	R1841	401 105 0415	MT-GLAZE 100 JA 1/16W
R111	401 105 5113	MT-GLAZE 47 JA 1/16W	R1842	401 105 0415	MT-GLAZE 100 JA 1/16W
R1112	401 105 7919	MT-GLAZE 0.000 ZA 1/16W	R1843	401 105 0613	MT-GLAZE 10K JA 1/16W
R1117	401 105 7919	MT-GLAZE 0.000 ZA 1/16W	R1844	401 105 0514	MT-GLAZE 1K JA 1/16W
R1118	401 105 7919	MT-GLAZE 0.000 ZA 1/16W	R1845	401 105 4611	MT-GLAZE 3.9K JA 1/16W
R112	401 105 4017	MT-GLAZE 330 JA 1/16W	R1846	401 105 4611	MT-GLAZE 3.9K JA 1/16W
R1128	401 105 7919	MT-GLAZE 0.000 ZA 1/16W	R1847	401 105 4710	MT-GLAZE 39K JA 1/16W
R1129	401 105 7919	MT-GLAZE 0.000 ZA 1/16W	R1848	401 105 4611	MT-GLAZE 3.9K JA 1/16W
R1130	401 105 7919	MT-GLAZE 0.000 ZA 1/16W	R1849	401 105 8114	MT-GLAZE 56K JA 1/16W
R116	401 105 0415	MT-GLAZE 100 JA 1/16W	R1851	401 105 0613	MT-GLAZE 10K JA 1/16W
R118	401 105 0613	MT-GLAZE 10K JA 1/16W	R1853	401 105 4611	MT-GLAZE 3.9K JA 1/16W
R120	401 105 6011	MT-GLAZE 5.6K JA 1/16W	R1856	401 105 0613	MT-GLAZE 10K JA 1/16W
R1200	401 105 0613	MT-GLAZE 10K JA 1/16W	R1857	401 105 4116	MT-GLAZE 3.3K JA 1/16W
R1201	401 105 3218	MT-GLAZE 270 JA 1/16W	R1858	401 105 0415	MT-GLAZE 100 JA 1/16W
R1202	401 105 0415	MT-GLAZE 100 JA 1/16W	R1862	401 105 0415	MT-GLAZE 100 JA 1/16W
R1203	401 105 5311	MT-GLAZE 4.7K JA 1/16W	R1864	401 105 1719	MT-GLAZE 150K JA 1/16W
R1204	401 105 0613	MT-GLAZE 10K JA 1/16W	R1866	401 105 1719	MT-GLAZE 150K JA 1/16W
R1206	401 105 3218	MT-GLAZE 270 JA 1/16W	R1869	401 105 0712	MT-GLAZE 100K JA 1/16W
R121	401 105 0415	MT-GLAZE 100 JA 1/16W	R1871	401 105 0415	MT-GLAZE 100 JA 1/16W
R1210	401 105 0415	MT-GLAZE 100 JA 1/16W	R1872	401 105 0415	MT-GLAZE 100 JA 1/16W
R1211	401 105 0415	MT-GLAZE 100 JA 1/16W	R1874	401 105 0712	MT-GLAZE 100K JA 1/16W
R1212	401 105 0415	MT-GLAZE 100 JA 1/16W	R1876	401 105 4611	MT-GLAZE 3.9K JA 1/16W
R1213	401 105 0415	MT-GLAZE 100 JA 1/16W	R1877	401 105 1610	MT-GLAZE 15K JA 1/16W
R1214	401 105 0415	MT-GLAZE 100 JA 1/16W	R1878	401 105 0613	MT-GLAZE 10K JA 1/16W
R1215	401 105 0415	MT-GLAZE 100 JA 1/16W	R2011	401 312 2516	MT-GLAZE 2.2 FA 1/2W
R1216	401 105 0415	MT-GLAZE 100 JA 1/16W	R3441	401 105 2716	MT-GLAZE 220 JA 1/16W
R1217	401 105 0415	MT-GLAZE 100 JA 1/16W	R3442	401 105 2716	MT-GLAZE 220 JA 1/16W
R122	401 105 0415	MT-GLAZE 100 JA 1/16W	R3443	401 105 2716	MT-GLAZE 220 JA 1/16W
R123	401 105 3317	MT-GLAZE 2.7K JA 1/16W	R3444	401 105 2716	MT-GLAZE 220 JA 1/16W
R1230	401 105 3218	MT-GLAZE 270 JA 1/16W	R3466	401 105 0415	MT-GLAZE 100 JA 1/16W
R124	401 105 8213	MT-GLAZE 68K JA 1/16W	R3467	401 105 0415	MT-GLAZE 100 JA 1/16W
R125	401 105 7919	MT-GLAZE 0.000 ZA 1/16W	R3468	401 105 3515	MT-GLAZE 270K JA 1/16W
R1251	401 105 1412	MT-GLAZE 150 JA 1/16W	R3473	401 105 2716	MT-GLAZE 220 JA 1/16W
R1252	401 105 1412	MT-GLAZE 150 JA 1/16W	R3474	401 105 2716	MT-GLAZE 220 JA 1/16W
R1253	401 105 1412	MT-GLAZE 150 JA 1/16W	R3475	401 105 0910	MT-GLAZE 120 JA 1/16W
R1254	401 105 1412	MT-GLAZE 150 JA 1/16W	R3476	401 105 7919	MT-GLAZE 0.000 ZA 1/16W

Ref. No.	Part No.	Description	Ref. No.	Part No.	Description
R3481	401 105 7216	MT-GLAZE 82 JA 1/16W	L1853	645 036 3894	INDUCTOR, 220 OHM
R3482	401 105 7216	MT-GLAZE 82 JA 1/16W	L3452	645 036 3894	INDUCTOR, 220 OHM
R3483	401 105 0415	MT-GLAZE 100 JA 1/16W	L3453	645 036 3894	INDUCTOR, 220 OHM
R3484	401 105 0415	MT-GLAZE 100 JA 1/16W			
R3485	401 105 2716	MT-GLAZE 220 JA 1/16W	DIODE		
R3486	401 105 2716	MT-GLAZE 220 JA 1/16W	D001	407 149 6324	DIODE SFPB-54V
R3501	401 105 7919	MT-GLAZE 0.000 ZA 1/16W	D1001	407 206 5618	ZENER DIODE UDZS-TE-1710B
R3502	401 105 8114	MT-GLAZE 56K JA 1/16W	D1003	407 206 5618	ZENER DIODE UDZS-TE-1710B
R3503	401 105 4512	MT-GLAZE 390 JA 1/16W	D1004	407 206 5618	ZENER DIODE UDZS-TE-1710B
R3504	401 105 0514	MT-GLAZE 1K JA 1/16W	D1005	407 206 5618	ZENER DIODE UDZS-TE-1710B
R3505	401 105 3416	MT-GLAZE 27K JA 1/16W	D1006	407 206 5618	ZENER DIODE UDZS-TE-1710B
R3506	401 105 2112	MT-GLAZE 18K JA 1/16W	D1007	407 206 5618	ZENER DIODE UDZS-TE-1710B
R3508	401 105 7919	MT-GLAZE 0.000 ZA 1/16W	D1008	407 206 5618	ZENER DIODE UDZS-TE-1710B
R3510	401 105 0613	MT-GLAZE 10K JA 1/16W	D1009	407 206 5618	ZENER DIODE UDZS-TE-1710B
R3511	401 105 0613	MT-GLAZE 10K JA 1/16W	D1012	407 206 5618	ZENER DIODE UDZS-TE-1710B
R3512	401 105 0613	MT-GLAZE 10K JA 1/16W	D1013	407 206 5618	ZENER DIODE UDZS-TE-1710B
R3513	401 105 0613	MT-GLAZE 10K JA 1/16W	D1014	407 206 5618	ZENER DIODE UDZS-TE-1710B
R3514	401 105 7919	MT-GLAZE 0.000 ZA 1/16W	D1017	407 206 5618	ZENER DIODE UDZS-TE-1710B
R3515	401 037 5014	MT-GLAZE 0.000 ZA 1/10W	D1018	407 206 5618	ZENER DIODE UDZS-TE-1710B
R4286	401 105 7919	MT-GLAZE 0.000 ZA 1/16W	D1019	407 206 5618	ZENER DIODE UDZS-TE-1710B
R6639	401 035 4118	MT-GLAZE 0.000 ZA 1/8W	D102	407 149 0817	DIODE 1SS355-TE-17
R6640	401 105 0613	MT-GLAZE 10K JA 1/16W	D103	407 149 0817	DIODE 1SS355-TE-17
R6641	401 105 0613	MT-GLAZE 10K JA 1/16W	D104	407 228 4910	ZENER DIODE UDZS33B-TE-17
R6642	401 105 5410	MT-GLAZE 47K JA 1/16W	D1058	407 206 5618	ZENER DIODE UDZS-TE-1710B
R6643	401 219 1612	MT-GLAZE 100K FA 1/16W	D1201	407 149 0817	DIODE 1SS355-TE-17
R6644	401 105 6714	MT-GLAZE 680K JA 1/16W	D1202	407 206 5618	ZENER DIODE UDZS-TE-1710B
R6645	401 219 1612	MT-GLAZE 100K FA 1/16W	D1203	407 206 5618	ZENER DIODE UDZS-TE-1710B
R6653	401 105 0613	MT-GLAZE 10K JA 1/16W	D1205	407 206 5618	ZENER DIODE UDZS-TE-1710B
R6654	401 105 0613	MT-GLAZE 10K JA 1/16W	D1206	407 206 5618	ZENER DIODE UDZS-TE-1710B
R6655	401 105 5410	MT-GLAZE 47K JA 1/16W	D1841	407 149 0817	DIODE 1SS355-TE-17
R6656	401 218 8612	MT-GLAZE 5.6 JA 1W	D1842	407 149 0817	DIODE 1SS355-TE-17
R6657	401 234 8115	MT-GLAZE 4.7 JA 1W	D1856	407 201 2721	DIODE RB051L-40-TE25
R6658	401 218 8612	MT-GLAZE 5.6 JA 1W	D202	407 206 5618	ZENER DIODE UDZS-TE-1710B
R6659	401 218 8612	MT-GLAZE 5.6 JA 1W	D3443	407 206 5618	ZENER DIODE UDZS-TE-1710B
R6660	401 037 5014	MT-GLAZE 0.000 ZA 1/10W	D3444	407 206 5618	ZENER DIODE UDZS-TE-1710B
R6661	401 037 5014	MT-GLAZE 0.000 ZA 1/10W	D3501	407 210 5413	DIODE RB551V-30-TE-17
R6662	401 037 5014	MT-GLAZE 0.000 ZA 1/10W	D6601	407 149 0817	DIODE 1SS355-TE-17
R6663	401 037 5014	MT-GLAZE 0.000 ZA 1/10W	D6608	407 149 0817	DIODE 1SS355-TE-17
R6664	401 037 5014	MT-GLAZE 0.000 ZA 1/10W	D6611	407 149 0817	DIODE 1SS355-TE-17
R6665	401 037 5014	MT-GLAZE 0.000 ZA 1/10W	D6613	407 149 0817	DIODE 1SS355-TE-17
R6666	401 037 5014	MT-GLAZE 0.000 ZA 1/10W	D6618	407 149 0817	DIODE 1SS355-TE-17
R6667	401 037 5014	MT-GLAZE 0.000 ZA 1/10W			
R6668	401 037 5014	MT-GLAZE 0.000 ZA 1/10W	MISCELLANEOUS		
R6669	401 037 5014	MT-GLAZE 0.000 ZA 1/10W	TH1841	408 052 7204	THERMISTOR TH11-3H103FT
R6670	401 037 5014	MT-GLAZE 0.000 ZA 1/10W	TH1842	408 052 7204	THERMISTOR TH11-3H103FT
R6671	401 037 5014	MT-GLAZE 0.000 ZA 1/10W	A101A	645 080 8555	TUNER, U/V
COIL			J101	401 105 7919	MT-GLAZE 0.000 ZA 1/16W
L001	645 075 0526	INDUCTOR, 180U M	J102	401 105 7919	MT-GLAZE 0.000 ZA 1/16W
L002	645 036 3894	INDUCTOR, 220 OHM	J103	401 105 7919	MT-GLAZE 0.000 ZA 1/16W
L003	645 004 0351	INDUCTOR, 12U K	J104	401 105 7919	MT-GLAZE 0.000 ZA 1/16W
L004	645 004 0351	INDUCTOR, 12U K	J105	401 105 7919	MT-GLAZE 0.000 ZA 1/16W
L1001	645 036 3894	INDUCTOR, 220 OHM	J106	401 105 7919	MT-GLAZE 0.000 ZA 1/16W
L1001A	645 036 3894	INDUCTOR, 220 OHM	J107	401 105 7919	MT-GLAZE 0.000 ZA 1/16W
L1002	645 036 3894	INDUCTOR, 220 OHM	J108	401 105 7919	MT-GLAZE 0.000 ZA 1/16W
L1002A	645 036 3894	INDUCTOR, 220 OHM	J109	401 105 7919	MT-GLAZE 0.000 ZA 1/16W
L1003	645 036 3894	INDUCTOR, 220 OHM	J110	401 105 7919	MT-GLAZE 0.000 ZA 1/16W
L101	645 049 6875	IMPEDANCE, 1000 OHM P	J111	401 105 7919	MT-GLAZE 0.000 ZA 1/16W
L102	645 075 7419	INDUCTOR, 390U J	J112	401 105 7919	MT-GLAZE 0.000 ZA 1/16W
L103	645 059 2782	INDUCTOR, 47U M	J113	401 105 7919	MT-GLAZE 0.000 ZA 1/16W
L1201	645 037 1615	INDUCTOR, 4.7U J	J114	401 105 7919	MT-GLAZE 0.000 ZA 1/16W
L1202	645 037 1615	INDUCTOR, 4.7U J	J201	401 105 7919	MT-GLAZE 0.000 ZA 1/16W
L1203	645 037 1615	INDUCTOR, 4.7U J	J202	401 105 7919	MT-GLAZE 0.000 ZA 1/16W
L1204	645 037 1615	INDUCTOR, 4.7U J	J203	401 105 7919	MT-GLAZE 0.000 ZA 1/16W
L1205	645 037 1615	INDUCTOR, 4.7U J	J204	401 105 7919	MT-GLAZE 0.000 ZA 1/16W
L1851	645 033 7918	INDUCTOR, 10U M	J205	401 105 7919	MT-GLAZE 0.000 ZA 1/16W
L1852	645 036 3894	INDUCTOR, 220 OHM	J206	401 105 7919	MT-GLAZE 0.000 ZA 1/16W
			J207	401 105 7919	MT-GLAZE 0.000 ZA 1/16W

Ref. No.	Part No.	Description	Ref. No.	Part No.	Description
J208	401 105 7919	MT-GLAZE 0.000 ZA 1/16W	610 325 0830 ASSY,PWB,CONTROL, N2WV 1AA0B10N137MB		
J209	401 105 7919	MT-GLAZE 0.000 ZA 1/16W			
J210	401 105 7919	MT-GLAZE 0.000 ZA 1/16W			
J211	401 105 7919	MT-GLAZE 0.000 ZA 1/16W			
J212	401 105 7919	MT-GLAZE 0.000 ZA 1/16W	CAPACITOR		
J213	401 105 7919	MT-GLAZE 0.000 ZA 1/16W	C3901	403 391 5419	ELECT 22U M 6.3V
J214	401 105 7919	MT-GLAZE 0.000 ZA 1/16W		403 184 7910	ELECT 22U M 6.3V
J215	401 105 7919	MT-GLAZE 0.000 ZA 1/16W	C3902	403 149 9218	CERAMIC 0.01U Z 50V
J216	401 105 7919	MT-GLAZE 0.000 ZA 1/16W	C3903	403 164 0214	CERAMIC 0.1U Z 25V
J217	401 105 7919	MT-GLAZE 0.000 ZA 1/16W	C3904	403 113 3815	CERAMIC 1000P K 50V
J218	401 105 7919	MT-GLAZE 0.000 ZA 1/16W	RESISTOR		
J219	401 105 7919	MT-GLAZE 0.000 ZA 1/16W	R3901	401 105 0415	MT-GLAZE 100 JA 1/16W
J220	401 105 7919	MT-GLAZE 0.000 ZA 1/16W	R3902	401 105 0415	MT-GLAZE 100 JA 1/16W
J221	401 105 7919	MT-GLAZE 0.000 ZA 1/16W	R3905	401 105 4512	MT-GLAZE 390 JA 1/16W
J222	401 105 7919	MT-GLAZE 0.000 ZA 1/16W	R3951	401 105 0415	MT-GLAZE 100 JA 1/16W
J223	401 105 7919	MT-GLAZE 0.000 ZA 1/16W	R3952	401 105 0514	MT-GLAZE 1K JA 1/16W
J224	401 105 7919	MT-GLAZE 0.000 ZA 1/16W	R3953	401 105 5915	MT-GLAZE 560 JA 1/16W
J225	401 105 7919	MT-GLAZE 0.000 ZA 1/16W	R3954	401 105 4512	MT-GLAZE 390 JA 1/16W
J226	401 105 7919	MT-GLAZE 0.000 ZA 1/16W	R3955	401 105 3218	MT-GLAZE 270 JA 1/16W
J227	401 105 7919	MT-GLAZE 0.000 ZA 1/16W	R3956	401 105 2716	MT-GLAZE 220 JA 1/16W
J228	401 105 7919	MT-GLAZE 0.000 ZA 1/16W	R3957	401 105 0316	MT-GLAZE 10 JA 1/16W
J229	401 105 7919	MT-GLAZE 0.000 ZA 1/16W	R3960	401 105 7919	MT-GLAZE 0.000 ZA 1/16W
J230	401 105 7919	MT-GLAZE 0.000 ZA 1/16W	R3961	401 105 7919	MT-GLAZE 0.000 ZA 1/16W
J231	401 105 7919	MT-GLAZE 0.000 ZA 1/16W	DIODE		
J232	401 105 7919	MT-GLAZE 0.000 ZA 1/16W	D3901	408 039 4400	LED SLZ-981B-09H-AB-T1
J233	401 105 7919	MT-GLAZE 0.000 ZA 1/16W	D3951	407 206 5618	ZENER DIODE UDZS-TE-1710B
J234	401 105 7919	MT-GLAZE 0.000 ZA 1/16W	D3952	407 206 5618	ZENER DIODE UDZS-TE-1710B
J235	401 105 7919	MT-GLAZE 0.000 ZA 1/16W	MISCELLANEOUS		
J236	401 105 7919	MT-GLAZE 0.000 ZA 1/16W	A3901	645 075 9734	UNIT,REMOCON RECEIVER
J237	401 105 7919	MT-GLAZE 0.000 ZA 1/16W	SC3903	645 076 3502	SURGE-ABSORBER
J238	401 105 7919	MT-GLAZE 0.000 ZA 1/16W	SC3904	645 076 3502	SURGE-ABSORBER
J239	401 105 7919	MT-GLAZE 0.000 ZA 1/16W	SW3951	645 026 2791	SWITCH,PUSH 1P-1TX1
J240	401 105 7919	MT-GLAZE 0.000 ZA 1/16W	SW3952	645 026 2791	SWITCH,PUSH 1P-1TX1
JS001	401 105 7919	MT-GLAZE 0.000 ZA 1/16W	SW3953	645 026 2791	SWITCH,PUSH 1P-1TX1
JS101	401 105 7919	MT-GLAZE 0.000 ZA 1/16W	SW3954	645 026 2791	SWITCH,PUSH 1P-1TX1
JS102	401 105 7919	MT-GLAZE 0.000 ZA 1/16W	SW3955	645 026 2791	SWITCH,PUSH 1P-1TX1
JS1111	401 105 7919	MT-GLAZE 0.000 ZA 1/16W	610 325 0908 ASSY,PWB,SCAL, N2YV 1AA0B10N138C0		
JS1126	401 105 7919	MT-GLAZE 0.000 ZA 1/16W	TRANSISTOR		
JS1205	401 105 7919	MT-GLAZE 0.000 ZA 1/16W	Q4501	405 014 4519	TR 2SC2412K T146 R
JS1206	401 105 7919	MT-GLAZE 0.000 ZA 1/16W		405 163 1612	TR 2SC2812N-L6-TB0
JS1207	401 105 7919	MT-GLAZE 0.000 ZA 1/16W		406 017 2400	TR BC847B
JS122	401 105 7919	MT-GLAZE 0.000 ZA 1/16W		406 017 2509	TR BC847B
JS1221	401 105 7919	MT-GLAZE 0.000 ZA 1/16W		406 017 2608	TR BC847BL
JS1222	401 105 7919	MT-GLAZE 0.000 ZA 1/16W	Q4502	405 134 5925	TR 2SA1037AK-T146-R
JS1223	401 105 7919	MT-GLAZE 0.000 ZA 1/16W		405 163 1513	TR 2SA1179N-M6-TB
JS130	401 105 7919	MT-GLAZE 0.000 ZA 1/16W		406 017 2103	TR BC857B
JS132	401 105 7919	MT-GLAZE 0.000 ZA 1/16W		406 017 2202	TR BC857B
JS6603	401 105 7919	MT-GLAZE 0.000 ZA 1/16W		406 017 2301	TR BC857BL
JS6604	401 105 7919	MT-GLAZE 0.000 ZA 1/16W	Q4511	405 014 4519	TR 2SC2412K T146 R
K001	645 006 4791	JACK,PHONE D3.6		405 163 1612	TR 2SC2812N-L6-TB0
K1001	652 001 5609	JACK,RCA-3		406 017 2400	TR BC847B
K1002	645 025 1047	SOCKET,RGB 21P		406 017 2509	TR BC847B
	652 001 7078	SOCKET,RGB 21P		406 017 2608	TR BC847BL
K1003	652 001 5609	JACK,RCA-3		405 134 5925	TR 2SA1037AK-T146-R
K1004	645 068 3749	JACK,RCA-3		405 163 1513	TR 2SA1179N-M6-TB
K1005	645 041 1854	JACK,RCA-2		406 017 2103	TR BC857B
K1006	645 041 1861	JACK,RCA-3		406 017 2202	TR BC857B
K1007	645 041 1854	JACK,RCA-2		406 017 2301	TR BC857BL
KCP1	645 045 8484	SOCKET,DIN 9P		406 017 2400	TR BC847B
KD	645 055 3516	SOCKET,FPC 40P		406 017 2509	TR BC847B
X121	421 011 4304	SAW F TSF5235G		406 017 2608	TR BC847BL
	421 012 0503	SAW F TSF5235PL	Q4512	405 134 5925	TR 2SA1037AK-T146-R
X133	645 063 1542	OSC,CRYSTAL 4MHZ		405 163 1513	TR 2SA1179N-M6-TB
X3451	645 029 2514	OSC,CRYSTAL 27.0MHZ		406 017 2103	TR BC857B
				406 017 2202	TR BC857B
				406 017 2301	TR BC857BL
			Q4521	405 014 4519	TR 2SC2412K T146 R
				405 163 1612	TR 2SC2812N-L6-TB0

Ref. No.	Part No.	Description	Ref. No.	Part No.	Description
	406 017 2400	TR BC847B	C1806	403 164 0214	CERAMIC 0.1U Z 25V
	406 017 2509	TR BC847B	C1851	403 164 0214	CERAMIC 0.1U Z 25V
	406 017 2608	TR BC847BL	C1852	403 164 0214	CERAMIC 0.1U Z 25V
Q4522	405 134 5925	TR 2SA1037AK-T146-R	C1853	403 164 0214	CERAMIC 0.1U Z 25V
	405 163 1513	TR 2SA1179N-M6-TB	C1854	403 164 0214	CERAMIC 0.1U Z 25V
	406 017 2103	TR BC857B	C1856	403 164 0214	CERAMIC 0.1U Z 25V
	406 017 2202	TR BC857B	C1857	403 164 0214	CERAMIC 0.1U Z 25V
	406 017 2301	TR BC857BL	C1858	403 164 0214	CERAMIC 0.1U Z 25V
Q801	405 014 4519	TR 2SC2412K T146 R	C1859	403 164 0214	CERAMIC 0.1U Z 25V
	405 014 4618	TR 2SC2412K T146 S	C1860	403 164 0214	CERAMIC 0.1U Z 25V
	405 015 8724	TR 2SC2812-L6-TB	C1861	403 164 0214	CERAMIC 0.1U Z 25V
	405 015 8922	TR 2SC2812-L7-TB	C1862	403 164 0214	CERAMIC 0.1U Z 25V
	405 163 1612	TR 2SC2812N-L6-TB0	C2001	403 391 5815	ELECT 100U M 6.3V
	405 173 9813	TR 2SC3928A1R		403 178 6318	ELECT 100U M 6.3V
	405 173 9912	TR 2SC3928A1S	C2002	403 391 5815	ELECT 100U M 6.3V
Q802	405 134 5925	TR 2SA1037AK-T146-R		403 178 6318	ELECT 100U M 6.3V
	405 147 2215	TR 2SA1037AK-S-T146	C2003	403 166 9512	CERAMIC 0.022U K 16V
	405 002 0318	TR 2SA1037K T146 R	C2004	403 113 3815	CERAMIC 1000P K 50V
	405 002 0417	TR 2SA1037K T146 S	C2005	403 164 0214	CERAMIC 0.1U Z 25V
	405 002 6726	TR 2SA1179-M6-TB	C2006	403 169 2817	CERAMIC 330P J 50V
	405 002 6924	TR 2SA1179-M7-TB	C2007	403 169 2817	CERAMIC 330P J 50V
	405 163 1513	TR 2SA1179N-M6-TB	C2008	403 169 2817	CERAMIC 330P J 50V
	405 173 9615	TR 2SA1235A1E	C2009	403 164 0214	CERAMIC 0.1U Z 25V
	405 173 9714	TR 2SA1235A1F	C2010	403 164 0214	CERAMIC 0.1U Z 25V
Q806	405 014 4519	TR 2SC2412K T146 R	C2011	403 164 0214	CERAMIC 0.1U Z 25V
	405 014 4618	TR 2SC2412K T146 S	C2012	403 169 2817	CERAMIC 330P J 50V
	405 015 8724	TR 2SC2812-L6-TB	C2013	403 391 5815	ELECT 100U M 6.3V
	405 015 8922	TR 2SC2812-L7-TB		403 178 6318	ELECT 100U M 6.3V
	405 163 1612	TR 2SC2812N-L6-TB0	C2014	403 391 5815	ELECT 100U M 6.3V
	405 173 9813	TR 2SC3928A1R		403 178 6318	ELECT 100U M 6.3V
	405 173 9912	TR 2SC3928A1S	C2015	403 164 0214	CERAMIC 0.1U Z 25V
Q807	405 014 4519	TR 2SC2412K T146 R	C2016	403 169 2817	CERAMIC 330P J 50V
	405 014 4618	TR 2SC2412K T146 S	C2017	403 391 5815	ELECT 100U M 6.3V
	405 015 8724	TR 2SC2812-L6-TB		403 178 6318	ELECT 100U M 6.3V
	405 015 8922	TR 2SC2812-L7-TB	C2018	403 164 0214	CERAMIC 0.1U Z 25V
	405 163 1612	TR 2SC2812N-L6-TB0	C2019	403 169 2817	CERAMIC 330P J 50V
	405 173 9813	TR 2SC3928A1R	C2020	403 164 0214	CERAMIC 0.1U Z 25V
	405 173 9912	TR 2SC3928A1S	C2021	403 169 2817	CERAMIC 330P J 50V
Q808	405 014 4519	TR 2SC2412K T146 R	C2022	403 169 2817	CERAMIC 330P J 50V
	405 014 4618	TR 2SC2412K T146 S	C2023	403 164 0214	CERAMIC 0.1U Z 25V
	405 015 8724	TR 2SC2812-L6-TB	C2024	403 169 2817	CERAMIC 330P J 50V
	405 015 8922	TR 2SC2812-L7-TB	C2025	403 391 5815	ELECT 100U M 6.3V
	405 163 1612	TR 2SC2812N-L6-TB0		403 178 6318	ELECT 100U M 6.3V
	405 173 9813	TR 2SC3928A1R	C2026	403 391 5815	ELECT 100U M 6.3V
	405 173 9912	TR 2SC3928A1S		403 178 6318	ELECT 100U M 6.3V
			C2027	403 164 0214	CERAMIC 0.1U Z 25V
			C2028	403 169 2817	CERAMIC 330P J 50V
			C2029	403 164 0214	CERAMIC 0.1U Z 25V
			C2030	403 169 2817	CERAMIC 330P J 50V
			C2031	403 166 9512	CERAMIC 0.022U K 16V
			C2032	403 172 6116	CERAMIC 270P J 50V
			C2033	403 139 7316	CERAMIC 18P J 50V
			C2034	403 157 4212	CERAMIC 220P J 50V
			C2035	403 166 9512	CERAMIC 0.022U K 16V
			C2036	403 172 6116	CERAMIC 270P J 50V
			C2037	403 139 7316	CERAMIC 18P J 50V
			C2038	403 157 4212	CERAMIC 220P J 50V
			C2039	403 166 9512	CERAMIC 0.022U K 16V
			C2040	403 172 6116	CERAMIC 270P J 50V
			C2041	403 139 7316	CERAMIC 18P J 50V
			C2042	403 157 4212	CERAMIC 220P J 50V
			C2043	403 164 0214	CERAMIC 0.1U Z 25V
			C2044	403 169 2817	CERAMIC 330P J 50V
			C2045	403 164 0214	CERAMIC 0.1U Z 25V
			C2046	403 169 2817	CERAMIC 330P J 50V
			C2047	403 157 3611	CERAMIC 100P J 50V
			C2048	403 157 1914	CERAMIC 10P D 50V
INTEGRATED CIRCUIT					
IC1801	410 556 0704	IC R5F21162SP			
IC1802	409 588 6016	IC BD4828G			
IC2001	409 612 3219	IC STV2310D-42A			
IC4001	409 636 6814	IC ADE3800XL			
IC6001	409 588 6313	IC BA33BC0FP			
IC6002	410 573 2101	IC LD1117DT12TR			
IC801	409 631 7212	IC STV3600B			
IC802	409 556 0718	IC M24C64WMN6			
IC803	410 528 7106	IC K4S281632F-UC75			
IC804	410 528 7106	IC K4S281632F-UC75			
IC805	409 578 2110	IC M29W160ET70N6			
IC806	409 588 6016	IC BD4828G			
CAPACITOR					
C1801	403 391 5815	ELECT 100U M 6.3V			
	403 178 6318	ELECT 100U M 6.3V			
C1802	403 215 2211	CERAMIC 0.01U K 50V			
C1803	403 155 4214	CERAMIC 15P J 50V			
C1804	403 155 4214	CERAMIC 15P J 50V			
C1805	403 164 0214	CERAMIC 0.1U Z 25V			

Ref. No.	Part No.	Description	Ref. No.	Part No.	Description
C2049	403 157 3611	CERAMIC 100P J 50V	C4048	403 164 0214	CERAMIC 0.1U Z 25V
C2050	403 281 2412	CERAMIC 0.22U K 16V	C4049	403 391 5518	ELECT 10U M 16V
C2051	403 215 0910	CERAMIC 390P J 50V		403 175 7219	ELECT 10U M 16V
C2052	403 391 5518	ELECT 10U M 16V	C4122	403 164 0214	CERAMIC 0.1U Z 25V
	403 175 7219	ELECT 10U M 16V	C4123	403 398 1513	ELECT 1000U M 6.3V
C2053	403 164 0214	CERAMIC 0.1U Z 25V	C4501	403 164 0214	CERAMIC 0.1U Z 25V
C2054	403 169 2817	CERAMIC 330P J 50V	C4502	403 323 8815	CERAMIC 2.2U Z 16V
C2055	403 391 5518	ELECT 10U M 16V	C4506	401 105 7919	MT-GLAZE 0.000 ZA 1/16W
	403 175 7219	ELECT 10U M 16V	C4507	403 157 3819	CERAMIC 120P J 50V
C2056	403 166 9512	CERAMIC 0.022U K 16V	C4508	403 164 0214	CERAMIC 0.1U Z 25V
C2057	403 164 0214	CERAMIC 0.1U Z 25V	C4509	403 396 5513	ELECT 470U M 16V
C2058	403 169 2817	CERAMIC 330P J 50V	C4511	403 164 0214	CERAMIC 0.1U Z 25V
C2059	403 172 6116	CERAMIC 270P J 50V	C4512	403 323 8815	CERAMIC 2.2U Z 16V
C2060	403 145 9915	CERAMIC 22P J 50V	C4516	401 105 7919	MT-GLAZE 0.000 ZA 1/16W
C2061	403 215 0910	CERAMIC 390P J 50V	C4517	403 157 3819	CERAMIC 120P J 50V
C4001	403 164 0214	CERAMIC 0.1U Z 25V	C4518	403 164 0214	CERAMIC 0.1U Z 25V
C4002	403 215 2211	CERAMIC 0.01U K 50V	C4521	403 164 0214	CERAMIC 0.1U Z 25V
C4003	403 164 0214	CERAMIC 0.1U Z 25V	C4522	403 323 8815	CERAMIC 2.2U Z 16V
C4004	403 164 0214	CERAMIC 0.1U Z 25V	C4526	401 105 7919	MT-GLAZE 0.000 ZA 1/16W
C4005	403 164 0214	CERAMIC 0.1U Z 25V	C4527	403 157 3819	CERAMIC 120P J 50V
C4006	403 164 0214	CERAMIC 0.1U Z 25V	C4528	403 164 0214	CERAMIC 0.1U Z 25V
C4007	403 164 0214	CERAMIC 0.1U Z 25V	C4535	403 164 0214	CERAMIC 0.1U Z 25V
C4008	403 391 5518	ELECT 10U M 16V	C6001	403 391 5518	ELECT 10U M 16V
	403 175 7219	ELECT 10U M 16V		403 175 7219	ELECT 10U M 16V
C4009	403 391 5518	ELECT 10U M 16V	C6002	403 164 0214	CERAMIC 0.1U Z 25V
	403 175 7219	ELECT 10U M 16V	C6003	403 391 5518	ELECT 10U M 16V
C4010	403 164 0214	CERAMIC 0.1U Z 25V		403 175 7219	ELECT 10U M 16V
C4011	403 164 0214	CERAMIC 0.1U Z 25V	C6004	403 391 5518	ELECT 10U M 16V
C4012	403 164 0214	CERAMIC 0.1U Z 25V		403 175 7219	ELECT 10U M 16V
C4013	403 391 5815	ELECT 100U M 6.3V	C6005	403 164 0214	CERAMIC 0.1U Z 25V
	403 178 6318	ELECT 100U M 6.3V	C6006	403 391 5518	ELECT 10U M 16V
C4014	403 391 5815	ELECT 100U M 6.3V		403 175 7219	ELECT 10U M 16V
	403 178 6318	ELECT 100U M 6.3V	C6007	403 391 5112	ELECT 100U M 16V
C4015	403 391 5815	ELECT 100U M 6.3V		403 296 9512	ELECT 100U M 16V
	403 178 6318	ELECT 100U M 6.3V	C6008	403 164 0214	CERAMIC 0.1U Z 25V
C4018	403 164 0214	CERAMIC 0.1U Z 25V	C6009	403 164 0214	CERAMIC 0.1U Z 25V
C4019	403 370 1517	CERAMIC 0.1U K 50V	C6010	403 164 0214	CERAMIC 0.1U Z 25V
C4020	403 370 1517	CERAMIC 0.1U K 50V	C6011	403 164 0214	CERAMIC 0.1U Z 25V
C4021	403 157 1716	CERAMIC 8P D 50V	C6012	403 164 0214	CERAMIC 0.1U Z 25V
C4022	403 164 0214	CERAMIC 0.1U Z 25V	C6013	403 164 0214	CERAMIC 0.1U Z 25V
C4023	403 370 1517	CERAMIC 0.1U K 50V	C801	403 145 9915	CERAMIC 22P J 50V
C4024	403 370 1517	CERAMIC 0.1U K 50V	C802	403 145 9915	CERAMIC 22P J 50V
C4025	403 157 1716	CERAMIC 8P D 50V	C803	403 391 5815	ELECT 100U M 6.3V
C4026	403 164 0214	CERAMIC 0.1U Z 25V		403 178 6318	ELECT 100U M 6.3V
C4027	403 370 1517	CERAMIC 0.1U K 50V	C804	403 164 0214	CERAMIC 0.1U Z 25V
C4028	403 370 1517	CERAMIC 0.1U K 50V	C805	403 164 0214	CERAMIC 0.1U Z 25V
C4029	403 157 1716	CERAMIC 8P D 50V	C806	403 169 2817	CERAMIC 330P J 50V
C4030	403 164 0214	CERAMIC 0.1U Z 25V	C8063	403 164 0214	CERAMIC 0.1U Z 25V
C4031	403 145 9915	CERAMIC 22P J 50V	C8064	403 164 0214	CERAMIC 0.1U Z 25V
C4032	403 139 7316	CERAMIC 18P J 50V	C8065	403 164 0214	CERAMIC 0.1U Z 25V
C4033	403 164 0214	CERAMIC 0.1U Z 25V	C8066	403 164 0214	CERAMIC 0.1U Z 25V
C4034	403 207 0317	CERAMIC 1U Z 16V	C8067	403 164 0214	CERAMIC 0.1U Z 25V
C4035	403 164 0214	CERAMIC 0.1U Z 25V	C8069	403 164 0214	CERAMIC 0.1U Z 25V
C4036	403 164 0214	CERAMIC 0.1U Z 25V	C807	403 164 0214	CERAMIC 0.1U Z 25V
C4037	403 207 0317	CERAMIC 1U Z 16V	C8070	403 164 0214	CERAMIC 0.1U Z 25V
C4038	403 164 0214	CERAMIC 0.1U Z 25V	C8071	403 164 0214	CERAMIC 0.1U Z 25V
C4039	403 164 0214	CERAMIC 0.1U Z 25V	C8072	403 164 0214	CERAMIC 0.1U Z 25V
C4040	403 391 5815	ELECT 100U M 6.3V	C8073	403 164 0214	CERAMIC 0.1U Z 25V
	403 178 6318	ELECT 100U M 6.3V	C8074	403 164 0214	CERAMIC 0.1U Z 25V
C4041	403 164 0214	CERAMIC 0.1U Z 25V	C8075	403 164 0214	CERAMIC 0.1U Z 25V
C4042	403 164 0214	CERAMIC 0.1U Z 25V	C8077	403 164 0214	CERAMIC 0.1U Z 25V
C4043	403 164 0214	CERAMIC 0.1U Z 25V	C8078	403 164 0214	CERAMIC 0.1U Z 25V
C4044	403 164 0214	CERAMIC 0.1U Z 25V	C8079	403 164 0214	CERAMIC 0.1U Z 25V
C4045	403 391 5518	ELECT 10U M 16V	C808	403 169 2817	CERAMIC 330P J 50V
	403 175 7219	ELECT 10U M 16V	C8080	403 164 0214	CERAMIC 0.1U Z 25V
C4046	403 164 0214	CERAMIC 0.1U Z 25V	C8082	403 164 0214	CERAMIC 0.1U Z 25V
C4047	403 164 0214	CERAMIC 0.1U Z 25V	C8083	403 164 0214	CERAMIC 0.1U Z 25V

Ref. No.	Part No.	Description	Ref. No.	Part No.	Description
C809	403 164 0214	CERAMIC 0.1U Z 25V	RESISTOR		
C810	403 169 2817	CERAMIC 330P J 50V	R1801	401 105 0415	MT-GLAZE 100 JA 1/16W
C811	403 164 0214	CERAMIC 0.1U Z 25V	R1802	401 105 5311	MT-GLAZE 4.7K JA 1/16W
C812	403 169 2817	CERAMIC 330P J 50V	R1803	401 105 0712	MT-GLAZE 100K JA 1/16W
C813	403 164 0214	CERAMIC 0.1U Z 25V	R1807	401 105 0613	MT-GLAZE 10K JA 1/16W
C814	403 169 2817	CERAMIC 330P J 50V	R1808	401 105 5311	MT-GLAZE 4.7K JA 1/16W
C815	403 164 0214	CERAMIC 0.1U Z 25V	R1809	401 105 5311	MT-GLAZE 4.7K JA 1/16W
C816	403 169 2817	CERAMIC 330P J 50V	R1810	401 105 5311	MT-GLAZE 4.7K JA 1/16W
C817	403 164 0214	CERAMIC 0.1U Z 25V	R1811	401 105 0415	MT-GLAZE 100 JA 1/16W
C818	403 169 2817	CERAMIC 330P J 50V	R1812	401 105 0415	MT-GLAZE 100 JA 1/16W
C819	403 164 0214	CERAMIC 0.1U Z 25V	R1813	401 105 0415	MT-GLAZE 100 JA 1/16W
C820	403 169 2817	CERAMIC 330P J 50V	R1814	401 105 7919	MT-GLAZE 0.000 ZA 1/16W
C821	403 169 2817	CERAMIC 330P J 50V	R1815	401 105 0415	MT-GLAZE 100 JA 1/16W
C822	403 169 2817	CERAMIC 330P J 50V	R1816	401 105 5311	MT-GLAZE 4.7K JA 1/16W
C823	403 169 2817	CERAMIC 330P J 50V	R1817	401 105 7919	MT-GLAZE 0.000 ZA 1/16W
C824	403 164 0214	CERAMIC 0.1U Z 25V	R1818	401 105 0415	MT-GLAZE 100 JA 1/16W
C825	403 164 0214	CERAMIC 0.1U Z 25V	R1819	401 105 0415	MT-GLAZE 100 JA 1/16W
C826	403 169 2817	CERAMIC 330P J 50V	R1854	401 105 0613	MT-GLAZE 10K JA 1/16W
C827	403 169 2817	CERAMIC 330P J 50V	R2001	401 105 7414	MT-GLAZE 8.2K JA 1/16W
C828	403 169 2817	CERAMIC 330P J 50V	R2002	401 105 0415	MT-GLAZE 100 JA 1/16W
C829	403 169 2817	CERAMIC 330P J 50V	R2003	401 105 0415	MT-GLAZE 100 JA 1/16W
C830	403 164 0214	CERAMIC 0.1U Z 25V	R2004	401 105 0415	MT-GLAZE 100 JA 1/16W
C831	403 164 0214	CERAMIC 0.1U Z 25V	R2007	401 113 4412	MT-GLAZE 75 JA 1/16W
C832	403 169 2817	CERAMIC 330P J 50V	R2008	401 105 4413	MT-GLAZE 39 JA 1/16W
C833	403 391 5815	ELECT 100U M 6.3V	R2009	401 113 4412	MT-GLAZE 75 JA 1/16W
	403 178 6318	ELECT 100U M 6.3V	R2010	401 105 4413	MT-GLAZE 39 JA 1/16W
C834	403 281 2412	CERAMIC 0.22U K 16V	R2011	401 113 4412	MT-GLAZE 75 JA 1/16W
C835	403 164 0214	CERAMIC 0.1U Z 25V	R2012	401 105 4413	MT-GLAZE 39 JA 1/16W
C836	403 164 0214	CERAMIC 0.1U Z 25V	R2013	401 262 8316	MT-GLAZE 470 FA 1/16W
C837	403 164 0214	CERAMIC 0.1U Z 25V	R2014	401 226 1216	MT-GLAZE 150 FA 1/16W
C838	403 169 2817	CERAMIC 330P J 50V	R2016	401 272 7910	MT-GLAZE 68 FA 1/16W
C839	403 164 0214	CERAMIC 0.1U Z 25V	R2017	401 105 5113	MT-GLAZE 47 JA 1/16W
C840	403 169 2817	CERAMIC 330P J 50V	R2018	401 190 2219	MT-GLAZE 220 FA 1/16W
C841	403 164 0214	CERAMIC 0.1U Z 25V	R2019	401 190 2219	MT-GLAZE 220 FA 1/16W
C842	403 164 0214	CERAMIC 0.1U Z 25V	R2020	401 190 2219	MT-GLAZE 220 FA 1/16W
C843	403 169 2817	CERAMIC 330P J 50V	R2021	401 190 2219	MT-GLAZE 220 FA 1/16W
C846	403 164 0214	CERAMIC 0.1U Z 25V	R2022	401 105 3911	MT-GLAZE 33 JA 1/16W
C847	403 169 2817	CERAMIC 330P J 50V	R2023	401 105 3911	MT-GLAZE 33 JA 1/16W
C848	403 169 2817	CERAMIC 330P J 50V	R2024	401 105 7919	MT-GLAZE 0.000 ZA 1/16W
C849	403 157 1914	CERAMIC 10P D 50V	R4001	401 037 5014	MT-GLAZE 0.000 ZA 1/10W
C850	403 139 7118	CERAMIC 12P J 50V	R4002	401 105 7919	MT-GLAZE 0.000 ZA 1/16W
C851	403 169 2817	CERAMIC 330P J 50V	R4003	401 105 0514	MT-GLAZE 1K JA 1/16W
C852	403 164 0214	CERAMIC 0.1U Z 25V	R4004	401 105 0613	MT-GLAZE 10K JA 1/16W
C853	403 169 2817	CERAMIC 330P J 50V	R4005	401 105 0415	MT-GLAZE 100 JA 1/16W
C854	403 391 5815	ELECT 100U M 6.3V	R4006	401 105 0415	MT-GLAZE 100 JA 1/16W
	403 178 6318	ELECT 100U M 6.3V	R4007	401 105 4116	MT-GLAZE 3.3K JA 1/16W
C855	403 391 5815	ELECT 100U M 6.3V	R4008	401 105 0514	MT-GLAZE 1K JA 1/16W
	403 178 6318	ELECT 100U M 6.3V	R4009	401 105 7919	MT-GLAZE 0.000 ZA 1/16W
C856	403 164 0214	CERAMIC 0.1U Z 25V	R4010	401 105 0415	MT-GLAZE 100 JA 1/16W
C857	403 169 2817	CERAMIC 330P J 50V	R4011	401 105 0415	MT-GLAZE 100 JA 1/16W
C860	403 164 0214	CERAMIC 0.1U Z 25V	R4012	401 105 7919	MT-GLAZE 0.000 ZA 1/16W
C861	403 169 2817	CERAMIC 330P J 50V	R4013	401 105 2617	MT-GLAZE 22 JA 1/16W
C862	403 323 8815	CERAMIC 2.2U Z 16V	R4015	401 105 7919	MT-GLAZE 0.000 ZA 1/16W
C863	403 368 7316	CERAMIC 10U K 6.3V	R4016	401 105 2617	MT-GLAZE 22 JA 1/16W
	403 370 7618	CERAMIC 10U M 6.3V	R4018	401 105 7919	MT-GLAZE 0.000 ZA 1/16W
C864	403 164 0214	CERAMIC 0.1U Z 25V	R4019	401 105 2617	MT-GLAZE 22 JA 1/16W
C865	403 169 2817	CERAMIC 330P J 50V	R4021	401 105 8015	MT-GLAZE 1M JA 1/16W
C866	403 164 0214	CERAMIC 0.1U Z 25V	R4022	401 105 5311	MT-GLAZE 4.7K JA 1/16W
C867	403 169 2817	CERAMIC 330P J 50V	R4023	401 105 5311	MT-GLAZE 4.7K JA 1/16W
C868	403 391 5815	ELECT 100U M 6.3V	R4024	401 105 5311	MT-GLAZE 4.7K JA 1/16W
	403 178 6318	ELECT 100U M 6.3V	R4110	401 105 0613	MT-GLAZE 10K JA 1/16W
C871	403 149 9218	CERAMIC 0.01U Z 50V	R4112	401 105 7919	MT-GLAZE 0.000 ZA 1/16W
C872	403 391 5112	ELECT 100U M 16V	R4113	401 105 7919	MT-GLAZE 0.000 ZA 1/16W
	403 296 9512	ELECT 100U M 16V	R4114	401 105 0613	MT-GLAZE 10K JA 1/16W
C877	403 164 0214	CERAMIC 0.1U Z 25V	R4115	401 105 0613	MT-GLAZE 10K JA 1/16W
C878	403 391 5716	ELECT 4.7U M 25V	R4116	401 105 7919	MT-GLAZE 0.000 ZA 1/16W
	403 184 8412	ELECT 4.7U M 25V	R4117	401 105 7919	MT-GLAZE 0.000 ZA 1/16W

Ref. No.	Part No.	Description	Ref. No.	Part No.	Description
R4118	401 105 7919	MT-GLAZE 0.000 ZA 1/16W	R846	401 105 2815	MT-GLAZE 2.2K JA 1/16W
R4120	401 105 7919	MT-GLAZE 0.000 ZA 1/16W	R847	401 105 2815	MT-GLAZE 2.2K JA 1/16W
R4121	401 105 0514	MT-GLAZE 1K JA 1/16W	R848	401 105 0613	MT-GLAZE 10K JA 1/16W
R4501	401 228 2716	MT-GLAZE 270 FA 1/16W	R849	401 105 0514	MT-GLAZE 1K JA 1/16W
R4502	401 105 7216	MT-GLAZE 82 JA 1/16W	R851	401 105 7919	MT-GLAZE 0.000 ZA 1/16W
R4503	401 105 0514	MT-GLAZE 1K JA 1/16W	R852	401 105 0613	MT-GLAZE 10K JA 1/16W
R4504	401 113 5013	MT-GLAZE 240 JA 1/16W	R853	401 105 0613	MT-GLAZE 10K JA 1/16W
R4505	401 105 1511	MT-GLAZE 1.5K JA 1/16W	R854	401 105 0613	MT-GLAZE 10K JA 1/16W
R4506	401 257 7010	MT-GLAZE 820 FA 1/16W	R859	401 105 0712	MT-GLAZE 100K JA 1/16W
R4507	401 105 4017	MT-GLAZE 330 JA 1/16W	R860	401 105 0712	MT-GLAZE 100K JA 1/16W
R4511	401 228 2716	MT-GLAZE 270 FA 1/16W	R861	401 105 2914	MT-GLAZE 22K JA 1/16W
R4512	401 105 7216	MT-GLAZE 82 JA 1/16W	R862	401 105 7919	MT-GLAZE 0.000 ZA 1/16W
R4513	401 105 0514	MT-GLAZE 1K JA 1/16W	R863	401 105 1511	MT-GLAZE 1.5K JA 1/16W
R4514	401 113 5013	MT-GLAZE 240 JA 1/16W	R864	401 105 5311	MT-GLAZE 4.7K JA 1/16W
R4515	401 105 1511	MT-GLAZE 1.5K JA 1/16W	R865	401 105 7919	MT-GLAZE 0.000 ZA 1/16W
R4516	401 257 7010	MT-GLAZE 820 FA 1/16W	R867	401 105 1610	MT-GLAZE 15K JA 1/16W
R4517	401 105 4017	MT-GLAZE 330 JA 1/16W	R868	401 105 1610	MT-GLAZE 15K JA 1/16W
R4521	401 228 2716	MT-GLAZE 270 FA 1/16W	R869	401 105 1511	MT-GLAZE 1.5K JA 1/16W
R4522	401 105 7216	MT-GLAZE 82 JA 1/16W	R870	401 105 1610	MT-GLAZE 15K JA 1/16W
R4523	401 105 0514	MT-GLAZE 1K JA 1/16W	R871	401 105 1610	MT-GLAZE 15K JA 1/16W
R4524	401 113 5013	MT-GLAZE 240 JA 1/16W	R872	401 105 1511	MT-GLAZE 1.5K JA 1/16W
R4525	401 105 1511	MT-GLAZE 1.5K JA 1/16W	R873	401 105 7919	MT-GLAZE 0.000 ZA 1/16W
R4526	401 257 7010	MT-GLAZE 820 FA 1/16W	R874	401 105 0613	MT-GLAZE 10K JA 1/16W
R4527	401 105 4017	MT-GLAZE 330 JA 1/16W	R875	401 105 0613	MT-GLAZE 10K JA 1/16W
R4541	401 105 7919	MT-GLAZE 0.000 ZA 1/16W	R876	401 105 0613	MT-GLAZE 10K JA 1/16W
R4542	401 105 7919	MT-GLAZE 0.000 ZA 1/16W	R877	401 105 1610	MT-GLAZE 15K JA 1/16W
R4551	401 105 7919	MT-GLAZE 0.000 ZA 1/16W	R878	401 105 2815	MT-GLAZE 2.2K JA 1/16W
R4552	401 105 7919	MT-GLAZE 0.000 ZA 1/16W	R879	401 105 0415	MT-GLAZE 100 JA 1/16W
R4554	401 110 8611	MT-GLAZE 1 JA 1/10W	R880	401 105 0415	MT-GLAZE 100 JA 1/16W
R801	401 105 0415	MT-GLAZE 100 JA 1/16W	R881	401 105 4116	MT-GLAZE 3.3K JA 1/16W
R802	401 105 0415	MT-GLAZE 100 JA 1/16W	R882	401 105 4116	MT-GLAZE 3.3K JA 1/16W
R805	401 105 5311	MT-GLAZE 4.7K JA 1/16W	R883	401 105 7919	MT-GLAZE 0.000 ZA 1/16W
R806	401 105 5311	MT-GLAZE 4.7K JA 1/16W	R884	401 105 3911	MT-GLAZE 33 JA 1/16W
R808	401 105 0613	MT-GLAZE 10K JA 1/16W	R885	401 105 7919	MT-GLAZE 0.000 ZA 1/16W
R809	401 105 7919	MT-GLAZE 0.000 ZA 1/16W	R886	401 105 7919	MT-GLAZE 0.000 ZA 1/16W
R810	401 105 0613	MT-GLAZE 10K JA 1/16W	R887	401 105 7919	MT-GLAZE 0.000 ZA 1/16W
R811	401 105 0613	MT-GLAZE 10K JA 1/16W	R888	401 105 0613	MT-GLAZE 10K JA 1/16W
R812	401 105 7315	MT-GLAZE 820 JA 1/16W	R889	401 105 0613	MT-GLAZE 10K JA 1/16W
R813	401 105 0415	MT-GLAZE 100 JA 1/16W	R890	401 105 5311	MT-GLAZE 4.7K JA 1/16W
R814	401 105 5311	MT-GLAZE 4.7K JA 1/16W	RB2001	645 058 8853	R-NETWORK 68X4 0.063W
R816	401 105 3911	MT-GLAZE 33 JA 1/16W	RB2002	645 058 8853	R-NETWORK 68X4 0.063W
R817	401 105 3911	MT-GLAZE 33 JA 1/16W	RB4001	645 037 0656	R-NETWORK 0X4 0.063W
R818	401 105 7919	MT-GLAZE 0.000 ZA 1/16W	RB4002	645 037 0656	R-NETWORK 0X4 0.063W
R819	401 105 3911	MT-GLAZE 33 JA 1/16W	RB4003	645 037 0656	R-NETWORK 0X4 0.063W
R820	401 105 0712	MT-GLAZE 100K JA 1/16W	RB801	645 058 8846	R-NETWORK 33X4 0.063W
R822	401 105 0415	MT-GLAZE 100 JA 1/16W	RB802	645 058 8846	R-NETWORK 33X4 0.063W
R823	401 105 0613	MT-GLAZE 10K JA 1/16W	RB803	645 058 8846	R-NETWORK 33X4 0.063W
R824	401 105 0613	MT-GLAZE 10K JA 1/16W	RB804	645 058 8846	R-NETWORK 33X4 0.063W
R825	401 105 0613	MT-GLAZE 10K JA 1/16W	RB805	645 058 8846	R-NETWORK 33X4 0.063W
R826	401 105 0415	MT-GLAZE 100 JA 1/16W	RB806	645 058 8846	R-NETWORK 33X4 0.063W
R827	401 105 0613	MT-GLAZE 10K JA 1/16W	RB807	645 058 8846	R-NETWORK 33X4 0.063W
R828	401 105 0613	MT-GLAZE 10K JA 1/16W	RB808	645 058 8846	R-NETWORK 33X4 0.063W
R829	401 105 0415	MT-GLAZE 100 JA 1/16W	RB809	645 058 8846	R-NETWORK 33X4 0.063W
R830	401 105 0415	MT-GLAZE 100 JA 1/16W	RB810	645 058 8846	R-NETWORK 33X4 0.063W
R831	401 105 0415	MT-GLAZE 100 JA 1/16W	RB811	645 058 8846	R-NETWORK 33X4 0.063W
R832	401 105 0415	MT-GLAZE 100 JA 1/16W	RB812	645 058 8846	R-NETWORK 33X4 0.063W
R833	401 105 0415	MT-GLAZE 100 JA 1/16W	RB813	645 058 8846	R-NETWORK 33X4 0.063W
R834	401 105 0415	MT-GLAZE 100 JA 1/16W	RB814	645 058 8846	R-NETWORK 33X4 0.063W
R835	401 105 0613	MT-GLAZE 10K JA 1/16W			
R838	401 105 3911	MT-GLAZE 33 JA 1/16W			
R839	401 105 3911	MT-GLAZE 33 JA 1/16W			
R840	401 105 3911	MT-GLAZE 33 JA 1/16W			
R841	401 105 3911	MT-GLAZE 33 JA 1/16W			
R842	401 105 7919	MT-GLAZE 0.000 ZA 1/16W			
R843	401 105 5311	MT-GLAZE 4.7K JA 1/16W			
R844	401 105 5311	MT-GLAZE 4.7K JA 1/16W			
R845	401 105 5311	MT-GLAZE 4.7K JA 1/16W			
			COIL		
			L1801	645 036 3894	INDUCTOR, 220 OHM
			L1802	645 044 9031	FILTER, EMI 2200PF
			L1811	645 018 9326	INDUCTOR, 1000 OHM
			L1812	645 018 9326	INDUCTOR, 1000 OHM
			L1813	645 018 9326	INDUCTOR, 1000 OHM
			L1814	401 037 5014	MT-GLAZE 0.000 ZA 1/10W
			L1841	401 037 5014	MT-GLAZE 0.000 ZA 1/10W

Ref. No.	Part No.	Description	Ref. No.	Part No.	Description
L1842	401 037 5014	MT-GLAZE 0.000 ZA 1/10W	L4026	401 037 5014	MT-GLAZE 0.000 ZA 1/10W
L1843	401 037 5014	MT-GLAZE 0.000 ZA 1/10W	L4101	645 068 9680	IMPEDANCE,600 OHM P
L1844	401 037 5014	MT-GLAZE 0.000 ZA 1/10W	L4102	645 068 9680	IMPEDANCE,600 OHM P
L1851	645 018 9326	INDUCTOR,1000 OHM	L4103	645 068 9680	IMPEDANCE,600 OHM P
L1852	645 018 9326	INDUCTOR,1000 OHM	L4104	645 068 9680	IMPEDANCE,600 OHM P
L1853	645 018 9326	INDUCTOR,1000 OHM	L4105	645 068 9680	IMPEDANCE,600 OHM P
L1854	401 105 7919	MT-GLAZE 0.000 ZA 1/16W	L4111	401 037 5014	MT-GLAZE 0.000 ZA 1/10W
L1855	401 037 5014	MT-GLAZE 0.000 ZA 1/10W	L4112	401 037 5014	MT-GLAZE 0.000 ZA 1/10W
L1856	645 018 9326	INDUCTOR,1000 OHM	L4113	645 036 3894	INDUCTOR,220 OHM
L1857	645 018 9326	INDUCTOR,1000 OHM	L4114	645 036 3894	INDUCTOR,220 OHM
L1858	645 018 9326	INDUCTOR,1000 OHM	L4117	645 044 9031	FILTER,EMI 2200PF
L1859	645 018 9326	INDUCTOR,1000 OHM	L4118	645 044 9031	FILTER,EMI 2200PF
L1860	645 018 9326	INDUCTOR,1000 OHM	L4501	645 041 2134	INDUCTOR,0.82U K
L1861	645 018 9326	INDUCTOR,1000 OHM	L4511	645 041 2134	INDUCTOR,0.82U K
L1862	645 018 9326	INDUCTOR,1000 OHM	L4521	645 041 2134	INDUCTOR,0.82U K
L1863	401 037 5014	MT-GLAZE 0.000 ZA 1/10W	L4533	401 037 5014	MT-GLAZE 0.000 ZA 1/10W
L1890	401 037 5014	MT-GLAZE 0.000 ZA 1/10W	L4535	645 018 9326	INDUCTOR,1000 OHM
L1891	401 037 5014	MT-GLAZE 0.000 ZA 1/10W	L4536	401 037 5014	MT-GLAZE 0.000 ZA 1/10W
L1892	401 037 5014	MT-GLAZE 0.000 ZA 1/10W	L6001	645 036 3894	INDUCTOR,220 OHM
L1893	401 037 5014	MT-GLAZE 0.000 ZA 1/10W	L6002	645 036 3894	INDUCTOR,220 OHM
L1894	401 037 5014	MT-GLAZE 0.000 ZA 1/10W	L6003	645 036 3894	INDUCTOR,220 OHM
L1895	401 037 5014	MT-GLAZE 0.000 ZA 1/10W	L6004	401 037 5014	MT-GLAZE 0.000 ZA 1/10W
L1896	401 037 5014	MT-GLAZE 0.000 ZA 1/10W	L6005	401 037 5014	MT-GLAZE 0.000 ZA 1/10W
L1897	401 037 5014	MT-GLAZE 0.000 ZA 1/10W	L801	645 036 3894	INDUCTOR,220 OHM
L1898	401 037 5014	MT-GLAZE 0.000 ZA 1/10W	L802	645 044 9031	FILTER,EMI 2200PF
L1899	401 037 5014	MT-GLAZE 0.000 ZA 1/10W	L804	645 036 3894	INDUCTOR,220 OHM
L2001	645 036 3894	INDUCTOR,220 OHM	L805	645 044 9031	FILTER,EMI 2200PF
L2002	645 036 3894	INDUCTOR,220 OHM	L806	645 044 9031	FILTER,EMI 2200PF
L2003	645 044 9031	FILTER,EMI 2200PF	L8064	645 018 9326	INDUCTOR,1000 OHM
L2004	645 036 3894	INDUCTOR,220 OHM	L8065	645 018 9326	INDUCTOR,1000 OHM
L2005	645 044 9031	FILTER,EMI 2200PF	L8066	645 018 9326	INDUCTOR,1000 OHM
L2006	645 036 3894	INDUCTOR,220 OHM	L8067	645 018 9326	INDUCTOR,1000 OHM
L2007	645 044 9031	FILTER,EMI 2200PF	L8068	645 018 9326	INDUCTOR,1000 OHM
L2008	645 036 3894	INDUCTOR,220 OHM	L8069	645 018 9326	INDUCTOR,1000 OHM
L2009	645 044 9031	FILTER,EMI 2200PF	L8070	645 018 9326	INDUCTOR,1000 OHM
L2012	645 036 3894	INDUCTOR,220 OHM	L8071	645 018 9326	INDUCTOR,1000 OHM
L2013	645 044 9031	FILTER,EMI 2200PF	L8072	645 018 9326	INDUCTOR,1000 OHM
L2014	645 036 3894	INDUCTOR,220 OHM	L8073	645 018 9326	INDUCTOR,1000 OHM
L2015	645 037 1608	INDUCTOR,2.2U J	L8074	645 018 9326	INDUCTOR,1000 OHM
L2016	645 037 1608	INDUCTOR,2.2U J	L8075	645 018 9326	INDUCTOR,1000 OHM
L2017	645 037 1608	INDUCTOR,2.2U J	L8076	645 018 9326	INDUCTOR,1000 OHM
L2018	645 041 1397	INDUCTOR,5.6U J	L8077	645 018 9326	INDUCTOR,1000 OHM
L2019	645 037 1608	INDUCTOR,2.2U J	L8078	645 018 9326	INDUCTOR,1000 OHM
L2021	401 037 5014	MT-GLAZE 0.000 ZA 1/10W	L8079	645 018 9326	INDUCTOR,1000 OHM
L2023	401 037 5014	MT-GLAZE 0.000 ZA 1/10W	L8080	645 018 9326	INDUCTOR,1000 OHM
L2025	401 037 5014	MT-GLAZE 0.000 ZA 1/10W	L8081	645 018 9326	INDUCTOR,1000 OHM
L2026	401 037 5014	MT-GLAZE 0.000 ZA 1/10W	L8082	645 018 9326	INDUCTOR,1000 OHM
L2032	401 037 5014	MT-GLAZE 0.000 ZA 1/10W	L8083	645 018 9326	INDUCTOR,1000 OHM
L2421	401 037 5014	MT-GLAZE 0.000 ZA 1/10W	L8084	645 018 9326	INDUCTOR,1000 OHM
L2423	401 037 5014	MT-GLAZE 0.000 ZA 1/10W	L8085	645 018 9326	INDUCTOR,1000 OHM
L2425	401 037 5014	MT-GLAZE 0.000 ZA 1/10W	L8086	645 018 9326	INDUCTOR,1000 OHM
L2426	401 037 5014	MT-GLAZE 0.000 ZA 1/10W	L8087	645 018 9326	INDUCTOR,1000 OHM
L4001	645 044 9031	FILTER,EMI 2200PF	L8088	645 018 9326	INDUCTOR,1000 OHM
L4002	645 036 3894	INDUCTOR,220 OHM	L8089	645 036 3894	INDUCTOR,220 OHM
L4003	645 036 3894	INDUCTOR,220 OHM	L809	645 036 3894	INDUCTOR,220 OHM
L4004	645 036 3894	INDUCTOR,220 OHM	L8090	401 105 7919	MT-GLAZE 0.000 ZA 1/16W
L4005	645 044 9031	FILTER,EMI 2200PF	L810	645 044 9031	FILTER,EMI 2200PF
L4006	401 037 5014	MT-GLAZE 0.000 ZA 1/10W	L811	645 036 3894	INDUCTOR,220 OHM
L4007	401 037 5014	MT-GLAZE 0.000 ZA 1/10W	L812	645 044 9031	FILTER,EMI 2200PF
L4008	401 037 5014	MT-GLAZE 0.000 ZA 1/10W	L814	645 036 3894	INDUCTOR,220 OHM
L4009	645 044 9031	FILTER,EMI 2200PF	L815	645 044 9031	FILTER,EMI 2200PF
L4010	645 044 9031	FILTER,EMI 2200PF	L821	401 037 5014	MT-GLAZE 0.000 ZA 1/10W
L4011	645 036 3894	INDUCTOR,220 OHM	L829	401 037 5014	MT-GLAZE 0.000 ZA 1/10W
L4012	645 044 9031	FILTER,EMI 2200PF			
L4021	401 037 5014	MT-GLAZE 0.000 ZA 1/10W	DIODE		
L4023	401 037 5014	MT-GLAZE 0.000 ZA 1/10W	D801	407 205 5213	DIODE RB521S-30-TE61
L4025	401 037 5014	MT-GLAZE 0.000 ZA 1/10W			

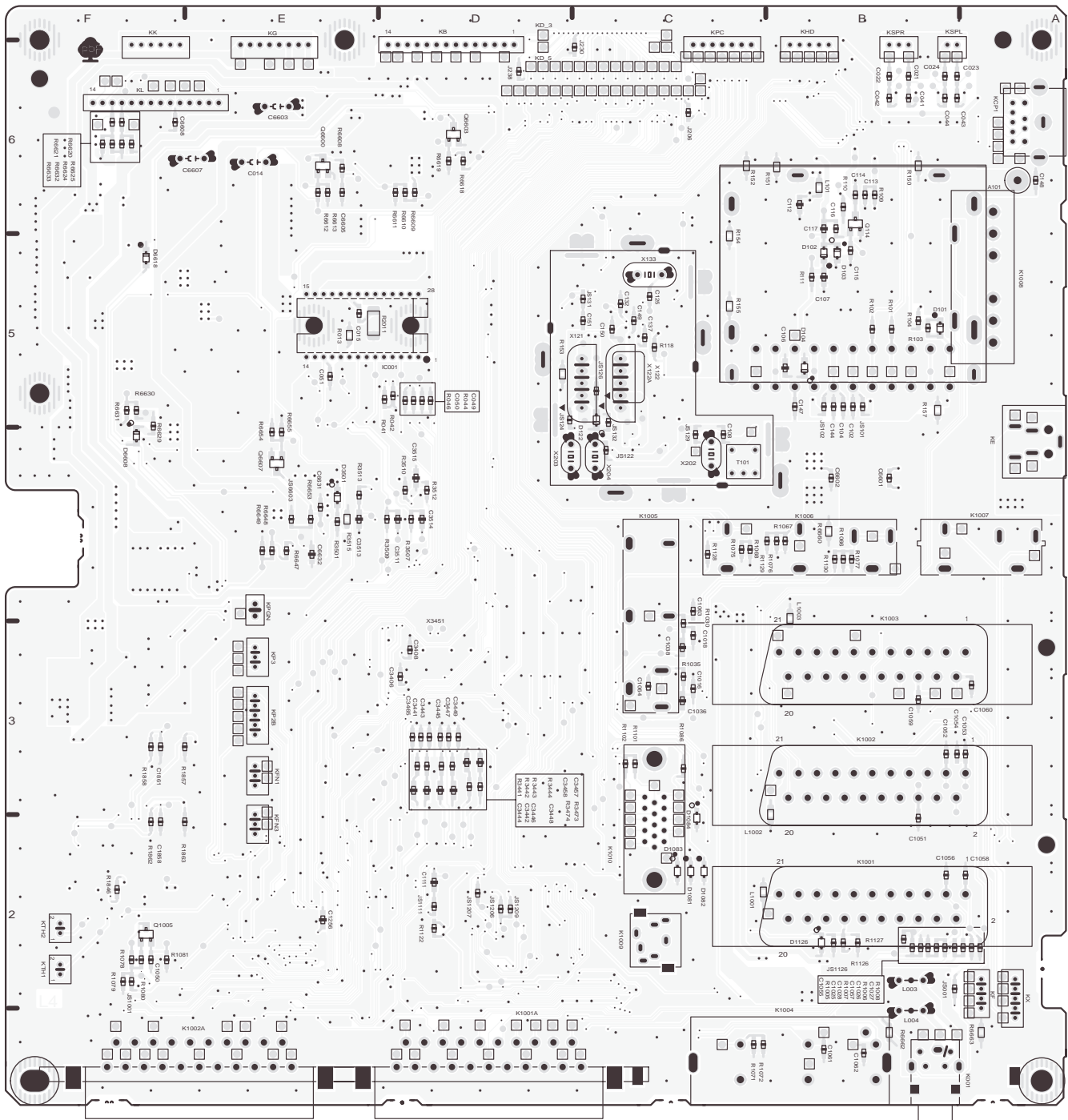
Ref. No.	Part No.	Description	Ref. No.	Part No.	Description
MISCELLANEOUS			Q657	405 014 4519	TR 2SC2412K T146 R
J4501	401 105 7919	MT-GLAZE 0.000 ZA 1/16W		405 014 4618	TR 2SC2412K T146 S
J4502	401 105 7919	MT-GLAZE 0.000 ZA 1/16W		405 015 8724	TR 2SC2812-L6-TB
J4503	401 105 7919	MT-GLAZE 0.000 ZA 1/16W		405 015 8922	TR 2SC2812-L7-TB
J4504	401 105 7919	MT-GLAZE 0.000 ZA 1/16W		405 163 1612	TR 2SC2812N-L6-TB0
J4505	401 105 7919	MT-GLAZE 0.000 ZA 1/16W		405 173 9813	TR 2SC3928A1R
K8D	645 055 3516	SOCKET,FPC 40P		405 173 9912	TR 2SC3928A1S
KLP2	645 077 0401	SOCKET,PWB 30P	INTEGRATED CIRCUIT		
X1801	645 047 9113	OSC,CRYSTAL 10.0MHZ	IC1630	409 631 7905	IC MR1722-7101
X4001	645 029 2514	OSC,CRYSTAL 27.0MHZ	IC1672	409 067 7203	IC L5431
X801	645 029 2514	OSC,CRYSTAL 27.0MHZ		409 054 1207	IC TL431CLP-B
610 327 0203 ASSY,PWB,POWER, N2WV 1AA0B10N152A0				409 180 2317	IC UPC1093J-T
TRANSISTOR			IC1674	409 650 8709	IC L6562N
Q1670	405 014 4519	TR 2SC2412K T146 R	IC600	410 556 2005	IC STR-G9656 LF1129
	405 014 4618	TR 2SC2412K T146 S	IC650	409 503 7507	IC PQ1CG3032FZ
	405 015 8724	TR 2SC2812-L6-TB	IC651	409 503 7507	IC PQ1CG3032FZ
	405 015 8922	TR 2SC2812-L7-TB	IC652	409 067 7203	IC L5431
	405 163 1612	TR 2SC2812N-L6-TB0		409 054 1207	IC TL431CLP-B
	405 173 9813	TR 2SC3928A1R		409 180 2317	IC UPC1093J-T
	405 173 9912	TR 2SC3928A1S	IC654	409 503 7507	IC PQ1CG3032FZ
Q1671	405 014 4519	TR 2SC2412K T146 R	CAPACITOR		
	405 014 4618	TR 2SC2412K T146 S	C1634	404 102 5305	ELECT 120U M 450V
	405 015 8724	TR 2SC2812-L6-TB	C1635	403 113 3815	CERAMIC 1000P K 50V
	405 015 8922	TR 2SC2812-L7-TB	C1636	403 113 4119	CERAMIC 2200P K 50V
	405 163 1612	TR 2SC2812N-L6-TB0	C1637	403 420 8500	ELECT 100U M 35V
	405 173 9813	TR 2SC3928A1R	C1638	403 157 3611	CERAMIC 100P J 50V
	405 173 9912	TR 2SC3928A1S	C1639	403 218 8814	CERAMIC 220P K 2K
Q1672	405 014 4519	TR 2SC2412K T146 R		403 324 3314	CERAMIC 220P K 2K
	405 014 4618	TR 2SC2412K T146 S	△C1641	404 104 9509	CERAMIC 1500P K 250V
	405 015 8724	TR 2SC2812-L6-TB	C1642	403 420 8302	ELECT 100U M 16V
	405 015 8922	TR 2SC2812-L7-TB	C1670	403 222 1323	CERAMIC 1000P K 1K
	405 163 1612	TR 2SC2812N-L6-TB0		403 271 9622	CERAMIC 1000P K 1K
	405 173 9813	TR 2SC3928A1R		403 262 1836	CERAMIC 1000P K 1K
	405 173 9912	TR 2SC3928A1S	C1671	403 399 3902	ELECT 1000U M 16V
Q601	405 014 4519	TR 2SC2412K T146 R	C1674	403 222 1323	CERAMIC 1000P K 1K
	405 014 4618	TR 2SC2412K T146 S		403 271 9622	CERAMIC 1000P K 1K
	405 015 8724	TR 2SC2812-L6-TB		403 262 1836	CERAMIC 1000P K 1K
	405 015 8922	TR 2SC2812-L7-TB	C1675	403 419 8415	ELECT 1000U M 25V
	405 163 1612	TR 2SC2812N-L6-TB0		403 361 4807	ELECT 1000U M 25V
	405 173 9813	TR 2SC3928A1R	C1676	403 368 7316	CERAMIC 10U K 6.3V
	405 173 9912	TR 2SC3928A1S		403 355 9712	CERAMIC 10U M 6.3V
Q623	405 211 0106	TR 2SK3523-01R		403 370 7618	CERAMIC 10U M 6.3V
Q650	405 014 4519	TR 2SC2412K T146 R	C1677	403 370 1517	CERAMIC 0.1U K 50V
	405 014 4618	TR 2SC2412K T146 S	C1683	403 370 1517	CERAMIC 0.1U K 50V
	405 015 8724	TR 2SC2812-L6-TB	△C601	404 088 8802	MT-POLYEST 0.22U M 275V
	405 015 8922	TR 2SC2812-L7-TB		404 089 1703	MT-POLYEST 0.22U M 275V
	405 163 1612	TR 2SC2812N-L6-TB0	△C602	404 088 8802	MT-POLYEST 0.22U M 275V
	405 173 9813	TR 2SC3928A1R		404 089 1703	MT-POLYEST 0.22U M 275V
	405 173 9912	TR 2SC3928A1S	△C603	404 073 5106	CERAMIC 470P K 250V
Q651	405 014 4519	TR 2SC2412K T146 R	△C604	404 073 5106	CERAMIC 470P K 250V
	405 014 4618	TR 2SC2412K T146 S	C605	403 370 1517	CERAMIC 0.1U K 50V
	405 015 8724	TR 2SC2812-L6-TB	C606	404 073 3706	CERAMIC 100P K 250V
	405 015 8922	TR 2SC2812-L7-TB	C607	403 067 0915	MT-POLYEST 0.01U K 630V
	405 163 1612	TR 2SC2812N-L6-TB0	C612	403 222 1323	CERAMIC 1000P K 1K
	405 173 9813	TR 2SC3928A1R		403 271 9622	CERAMIC 1000P K 1K
	405 173 9912	TR 2SC3928A1S		403 262 1836	CERAMIC 1000P K 1K
Q656	405 014 4519	TR 2SC2412K T146 R	C613	403 222 1323	CERAMIC 1000P K 1K
	405 014 4618	TR 2SC2412K T146 S		403 271 9622	CERAMIC 1000P K 1K
	405 015 8724	TR 2SC2812-L6-TB		403 262 1836	CERAMIC 1000P K 1K
	405 015 8922	TR 2SC2812-L7-TB	C614	403 135 0717	CERAMIC 1U K 25V
	405 163 1612	TR 2SC2812N-L6-TB0	C615	403 218 8814	CERAMIC 220P K 2K
	405 173 9813	TR 2SC3928A1R		403 324 3314	CERAMIC 220P K 2K
	405 173 9912	TR 2SC3928A1S		403 232 1439	CERAMIC 220P K 2K
			C616	403 157 6612	CERAMIC 470P K 50V

Ref. No.	Part No.	Description	Ref. No.	Part No.	Description
C619	403 420 8500	ELECT 100U M 35V	R1633	401 105 1610	MT-GLAZE 15K JA 1/16W
C620	403 358 7319	ELECT 470U M 10V	R1634	401 105 4611	MT-GLAZE 3.9K JA 1/16W
C621	404 073 4406	CERAMIC 220P K 250V	R1635	401 068 3119	OXIDE-MT 47 JA 2W
C622	403 157 6414	CERAMIC 330P K 50V	R1636	401 057 8316	OXIDE-MT 1 JA 1W
C623	403 260 1620	MT-POLYEST 1U J 400V	R1669	401 105 7919	MT-GLAZE 0.000 ZA 1/16W
C624	403 260 1620	MT-POLYEST 1U J 400V	R1672	401 105 7414	MT-GLAZE 8.2K JA 1/16W
C625	403 420 8708	ELECT 47U M 35V	R1673	401 105 2914	MT-GLAZE 22K JA 1/16W
C626	403 157 3611	CERAMIC 100P J 50V	R1674	401 058 4426	OXIDE-MT 1K JA 1W
C627	403 370 1517	CERAMIC 0.1U K 50V	R1675	401 277 7212	MT-GLAZE 470 JA 1/3W
C628	403 215 2211	CERAMIC 0.01U K 50V	R1676	401 316 6411	MT-GLAZE 4.7K JA 1/3W
C630	403 218 8814	CERAMIC 220P K 2K	R1677	401 105 2815	MT-GLAZE 2.2K JA 1/16W
	403 324 3314	CERAMIC 220P K 2K	R1678	401 202 8215	MT-GLAZE 3K FA 1/16W
	403 232 1439	CERAMIC 220P K 2K	R1679	401 262 8316	MT-GLAZE 470 FA 1/16W
C631	404 102 5305	ELECT 120U M 450V	R1680	401 217 3915	MT-GLAZE 3.3K FA 1/16W
C632	404 102 5305	ELECT 120U M 450V	R1681	401 105 0514	MT-GLAZE 1K JA 1/16W
C633	404 102 5305	ELECT 120U M 450V	R1682	401 105 2914	MT-GLAZE 22K JA 1/16W
C634	403 370 1517	CERAMIC 0.1U K 50V	R1683	401 105 0613	MT-GLAZE 10K JA 1/16W
C649	403 135 0717	CERAMIC 1U K 25V	R1684	401 105 0613	MT-GLAZE 10K JA 1/16W
C650	403 222 1323	CERAMIC 1000P K 1K	R1685	401 105 2914	MT-GLAZE 22K JA 1/16W
	403 271 9622	CERAMIC 1000P K 1K	R600	401 105 7919	MT-GLAZE 0.000 ZA 1/16W
	403 262 1836	CERAMIC 1000P K 1K	△R601	401 007 5815	CARBON 120K JA 1/2W
C651	403 363 3006	ELECT 1000U M 35V	R602	401 242 2310	MT-GLAZE 82K JA 1/2W
	403 419 9511	ELECT 1000U M 35V	R603	401 242 2310	MT-GLAZE 82K JA 1/2W
C652	403 363 3006	ELECT 1000U M 35V	R604	401 242 2310	MT-GLAZE 82K JA 1/2W
	403 419 9511	ELECT 1000U M 35V	R605	401 064 6817	OXIDE-MT 10 JA 2W
C653	403 222 1323	CERAMIC 1000P K 1K	R606	401 010 4812	CARBON 470K JA 1/2W
	403 271 9622	CERAMIC 1000P K 1K	R609	401 105 4116	MT-GLAZE 3.3K JA 1/16W
	403 262 1836	CERAMIC 1000P K 1K	R611	401 105 4116	MT-GLAZE 3.3K JA 1/16W
C654	403 350 5016	ELECT 1000U M 25V	△R612	402 000 8602	SOLID 5.6M KA 1/2W
	403 419 9313	ELECT 1000U M 25V		402 097 5706	CARBON 5.6M KA 1/2W
C655	403 350 5016	ELECT 1000U M 25V		402 088 0505	RESISTER 5.6M JA 1/2W
	403 419 9313	ELECT 1000U M 25V	R613	401 260 4013	MT-GLAZE 68 JA 1/3W
C656	403 222 1323	CERAMIC 1000P K 1K	R614	401 258 8214	MT-GLAZE 680 JA 1/3W
	403 271 9622	CERAMIC 1000P K 1K	R615	401 064 1614	OXIDE-MT 0.33 JA 2W
	403 262 1836	CERAMIC 1000P K 1K	R616	401 228 0405	OXIDE-MT 0.27 JA 2W
C657	403 369 2924	ELECT 680U M 25V	△R617	402 000 8602	SOLID 5.6M KA 1/2W
	403 419 9422	ELECT 680U M 25V		402 097 5706	CARBON 5.6M KA 1/2W
C658	403 369 2924	ELECT 680U M 25V		402 088 0505	RESISTER 5.6M JA 1/2W
	403 419 9422	ELECT 680U M 25V	R618	401 105 0613	MT-GLAZE 10K JA 1/16W
C659	403 135 0717	CERAMIC 1U K 25V	R619	401 105 4116	MT-GLAZE 3.3K JA 1/16W
C660	403 370 1517	CERAMIC 0.1U K 50V	R621	401 105 2914	MT-GLAZE 22K JA 1/16W
C661	403 370 1517	CERAMIC 0.1U K 50V	R622	401 105 0613	MT-GLAZE 10K JA 1/16W
C662	403 363 3006	ELECT 1000U M 35V	R623	401 105 7919	MT-GLAZE 0.000 ZA 1/16W
	403 419 9511	ELECT 1000U M 35V	R624	401 012 7049	CARBON 10K JA 1/4W
C663	403 369 2924	ELECT 680U M 25V	R625	401 275 5814	MT-GLAZE 1.5K JA 1W
	403 419 9422	ELECT 680U M 25V	R627	401 105 7919	MT-GLAZE 0.000 ZA 1/16W
C664	403 369 2924	ELECT 680U M 25V	R628	401 063 8218	OXIDE-MT 82K JA 1W
	403 419 9422	ELECT 680U M 25V	R629	401 063 8218	OXIDE-MT 82K JA 1W
C665	403 135 0717	CERAMIC 1U K 25V	R630	401 218 4416	MT-GLAZE 1.2K FA 1/16W
C666	403 369 2924	ELECT 680U M 25V	R631	401 026 7834	CARBON 3.9M JA 1/6W
	403 419 9422	ELECT 680U M 25V	R633	401 105 7414	MT-GLAZE 8.2K JA 1/16W
C667	403 369 2924	ELECT 680U M 25V	R634	401 105 2914	MT-GLAZE 22K JA 1/16W
	403 419 9422	ELECT 680U M 25V	R635	401 230 2513	MT-GLAZE 1K FA 1/16W
C668	403 135 0717	CERAMIC 1U K 25V	R636	401 105 4116	MT-GLAZE 3.3K JA 1/16W
C669	403 350 5016	ELECT 1000U M 25V	R637	401 275 5814	MT-GLAZE 1.5K JA 1W
	403 419 9313	ELECT 1000U M 25V	R638	401 275 5814	MT-GLAZE 1.5K JA 1W
C670	403 358 7319	ELECT 470U M 10V	R639	401 105 0613	MT-GLAZE 10K JA 1/16W
C671	403 363 3006	ELECT 1000U M 35V	R640	401 305 9713	MT-GLAZE 560K FA 1/2W
	403 419 9511	ELECT 1000U M 35V	R641	401 305 9614	MT-GLAZE 470K FA 1/2W
C681	404 056 1408	MT-POLYEST 0.1U M 250V	R642	401 305 9614	MT-GLAZE 470K FA 1/2W
	404 093 6107	MT-POLYEST 0.1U M 275V	R643	401 027 0329	CARBON 47K JA 1/6W
	404 089 1505	MT-POLYEST 0.1U M 275V	R644	401 007 0167	CARBON 100 JA 1/2W
			R645	401 234 8610	MT-GLAZE 8.2K FA 1/16W
			R646	401 260 4716	MT-GLAZE 1.5K FA 1/16W
RESISTOR			R647	401 105 0613	MT-GLAZE 10K JA 1/16W
R1630	401 234 5510	MT-GLAZE 18K FA 1/16W	R648	401 105 2914	MT-GLAZE 22K JA 1/16W
R1631	401 260 8417	MT-GLAZE 22 JA 1/3W	R649	401 105 0613	MT-GLAZE 10K JA 1/16W
R1632	401 105 1610	MT-GLAZE 15K JA 1/16W			

Ref. No.	Part No.	Description	Ref. No.	Part No.	Description
△ PC1634	407 230 3908	PHOTO COUPLE PC123Y52J00F			
	407 231 7707	PC TLP421F(D4-BL)			
△ PC1635	407 230 3908	PHOTO COUPLE PC123Y52J00F			
	407 231 7707	PC TLP421F(D4-BL)			
△ RL1670	645 028 2713	RELAY			
	645 030 5597	RELAY			
△ RL680	645 052 5933	RELAY			
△ RL681	645 028 2713	RELAY			
	645 030 5597	RELAY			
SC601	645 059 3130	SURGE-ABSORBER			
△ VA600	408 018 9808	VARISTOR ENC471D-14AS			
△ VA602	408 059 4404	VARISTOR ENC182D-14A			
610 325 0854 ASSY,PWB,MTS, N2WV					
1AA0B10N17200					
INTEGRATED CIRCUIT					
IC3601	409 572 2205	IC CXA2104S			
IC3602	409 497 6312	IC BA09FP-E2			
CAPACITOR					
C3601	403 430 9207	ELECT	47U M	16V	
C3603	403 224 6118	CERAMIC	0.01U K	50V	
C3608	403 155 2418	CERAMIC	5600P K	50V	
C3609	403 215 2310	CERAMIC	0.012U K	50V	
C3610	403 430 9405	ELECT	0.47U M	50V	
C3611	403 430 9405	ELECT	0.47U M	50V	
C3612	403 430 9207	ELECT	47U M	16V	
C3613	403 215 0910	CERAMIC	390P J	50V	
C3615	403 431 4706	ELECT	4.7U M	25V	
C3616	403 420 4304	ELECT	470U M	16V	
C3617	403 410 2303	NP-ELECT	4.7U M	25V	
C3619	403 431 4706	ELECT	4.7U M	25V	
C3620	403 410 2303	NP-ELECT	4.7U M	25V	
C3622	403 157 7114	CERAMIC	2700P K	50V	
C3623	403 275 3012	CERAMIC	0.047U K	16V	
C3624	403 342 9213	TA-SOLID	3.3U K	10V	
C3627	403 299 1820	TA-SOLID	10U K	10V	
C3629	403 394 5812	CERAMIC	4.7U K	16V	
C3630	403 394 5812	CERAMIC	4.7U K	16V	
C3631	403 358 8316	CERAMIC	1U K	10V	
	403 364 5811	CERAMIC	1U K	10V	
RESISTOR					
R3601	401 150 5915	MT-GLAZE	10K JA	1/10W	
R3602	401 150 5915	MT-GLAZE	10K JA	1/10W	
R3603	401 255 6510	MT-GLAZE	100 JA	1/10W	
R3604	401 255 6510	MT-GLAZE	100 JA	1/10W	
R3608	401 255 6015	MT-GLAZE	1M JA	1/10W	
R3609	401 150 5816	MT-GLAZE	100K JA	1/10W	
R3613	401 265 4018	MT-GLAZE	62K FA	1/10W	
R3622	401 162 3114	MT-GLAZE	3.3K JA	1/10W	
R3623	401 255 6411	MT-GLAZE	3K JA	1/10W	
R3628	401 256 7615	MT-GLAZE	3.9K JA	1/10W	
DIODE					
D3617	407 092 9526	DIODE SB07-03C-TB			

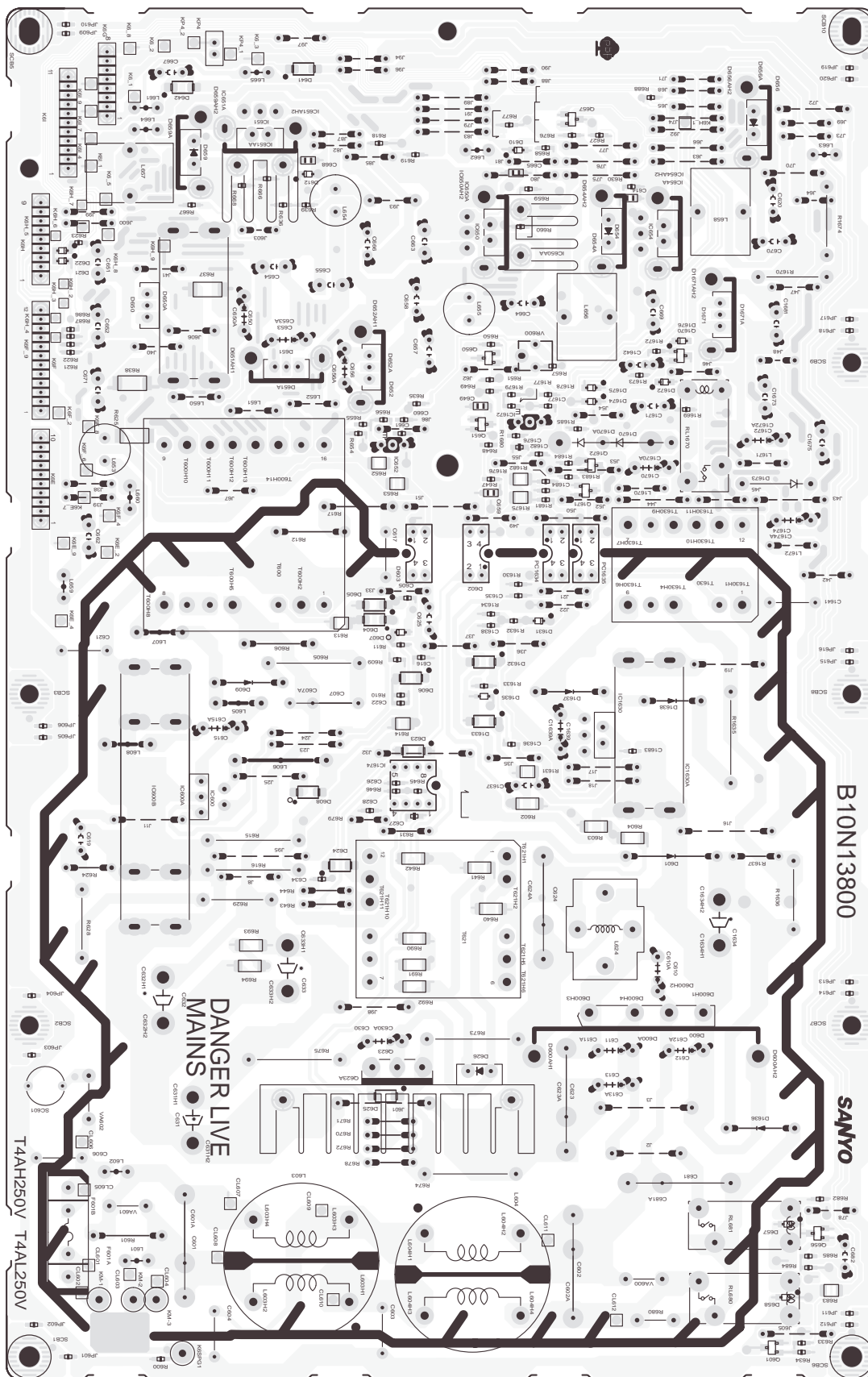
Printed Wiring Board

ASSY, PWB, SIGNAL (Solder Side)

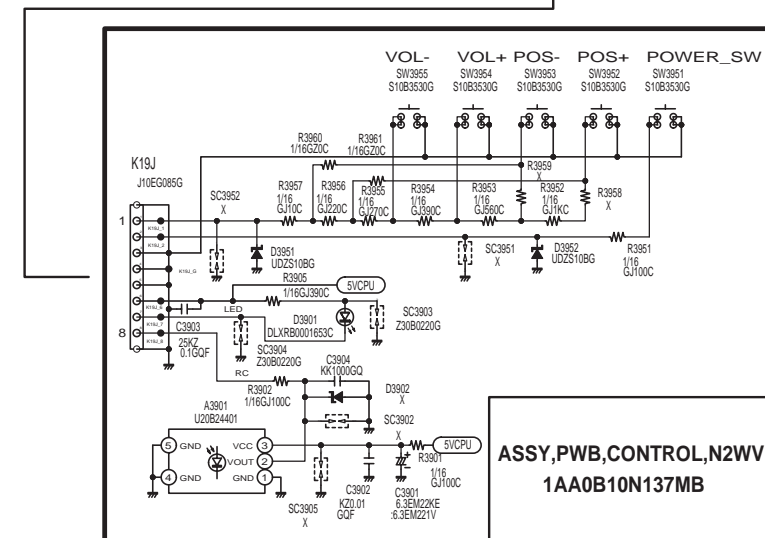
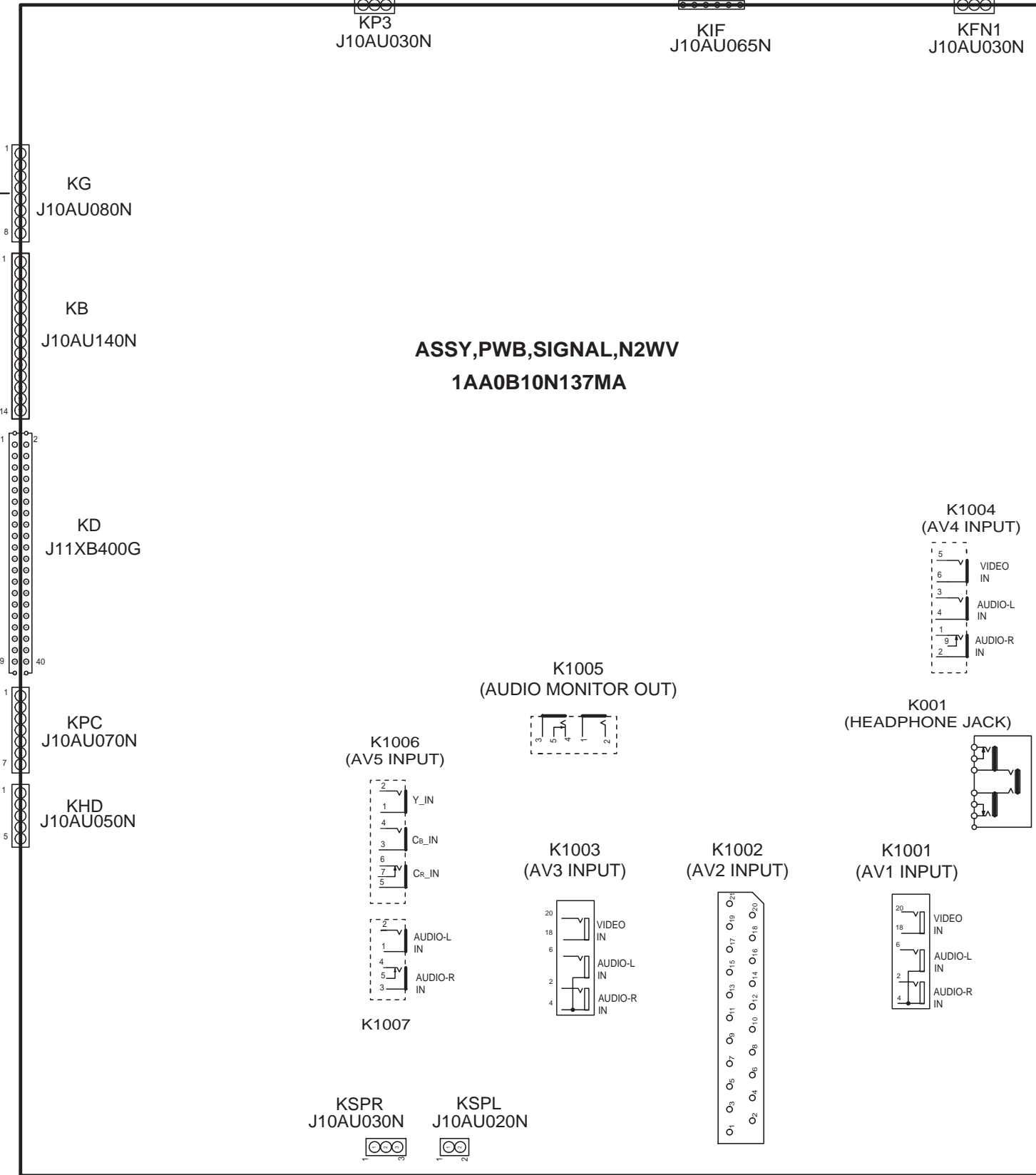
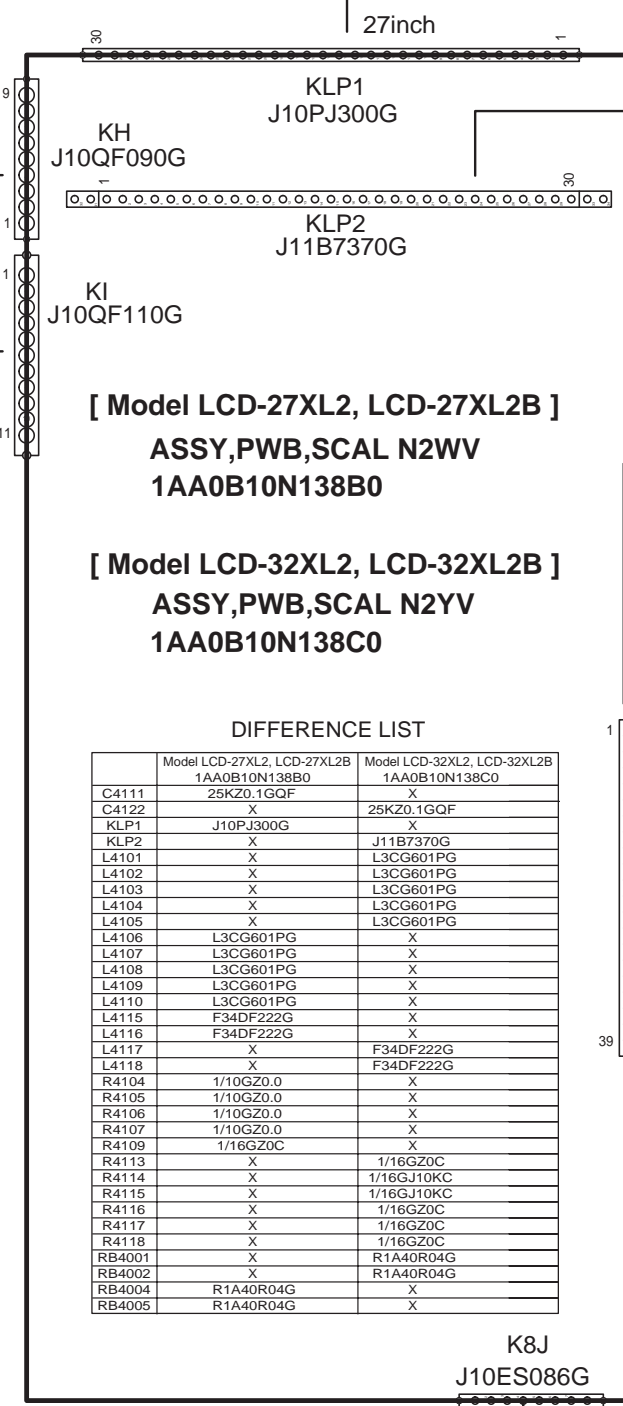
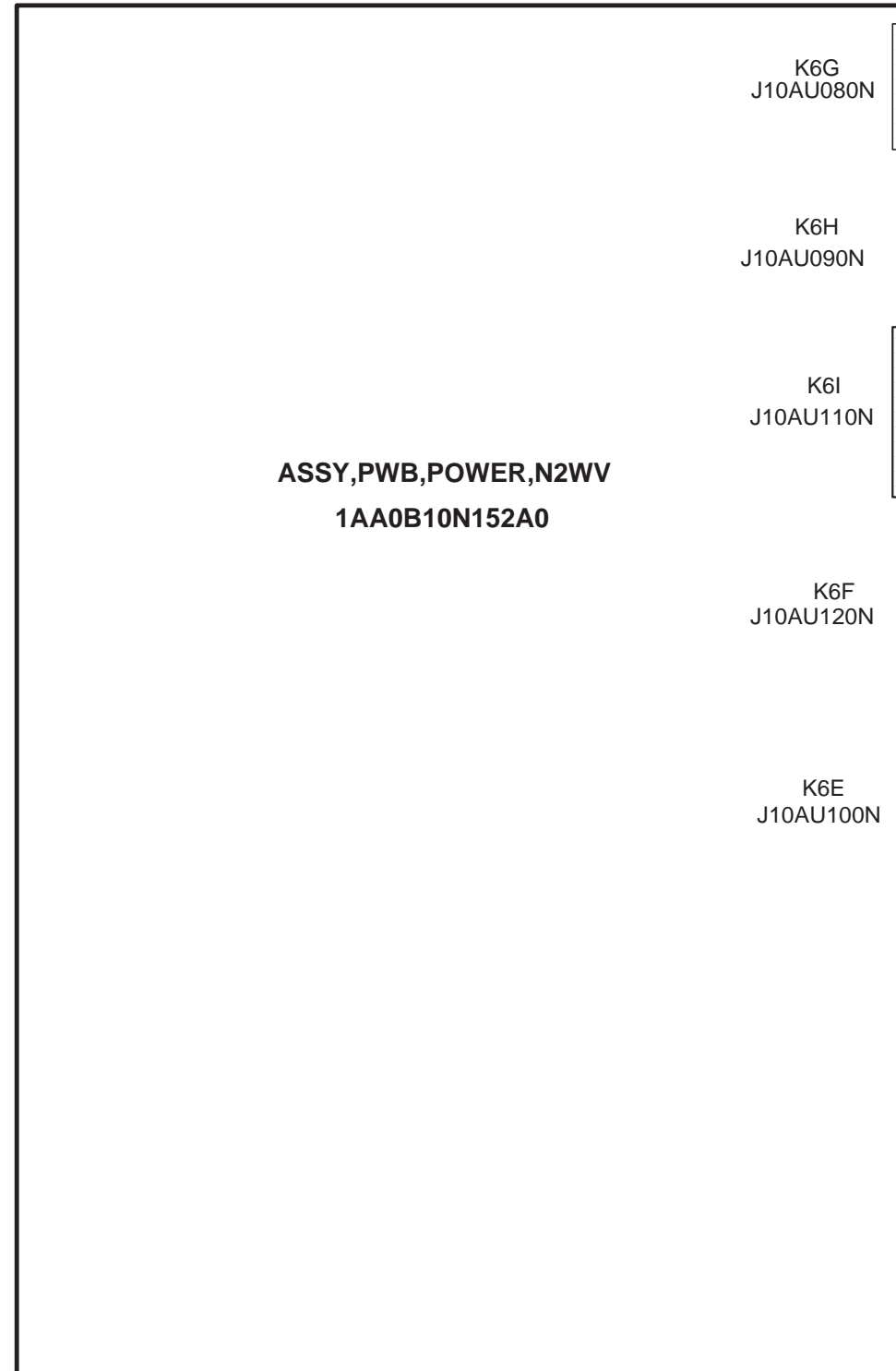
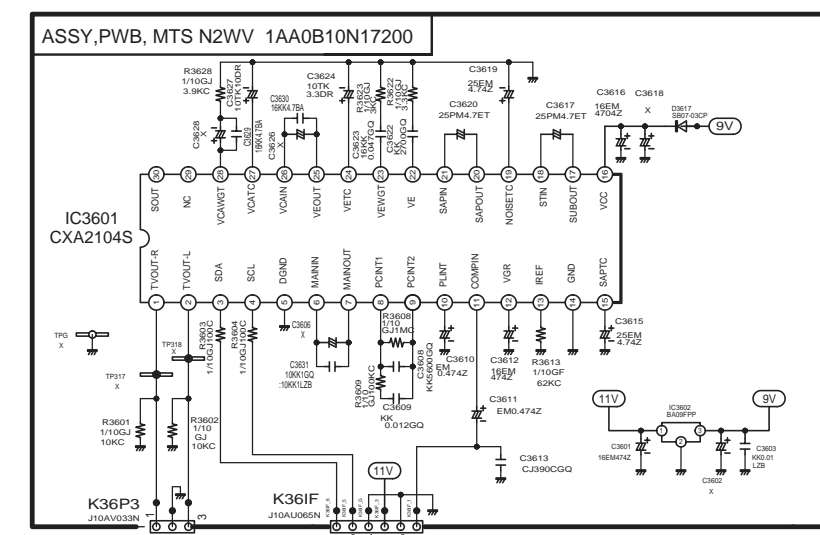
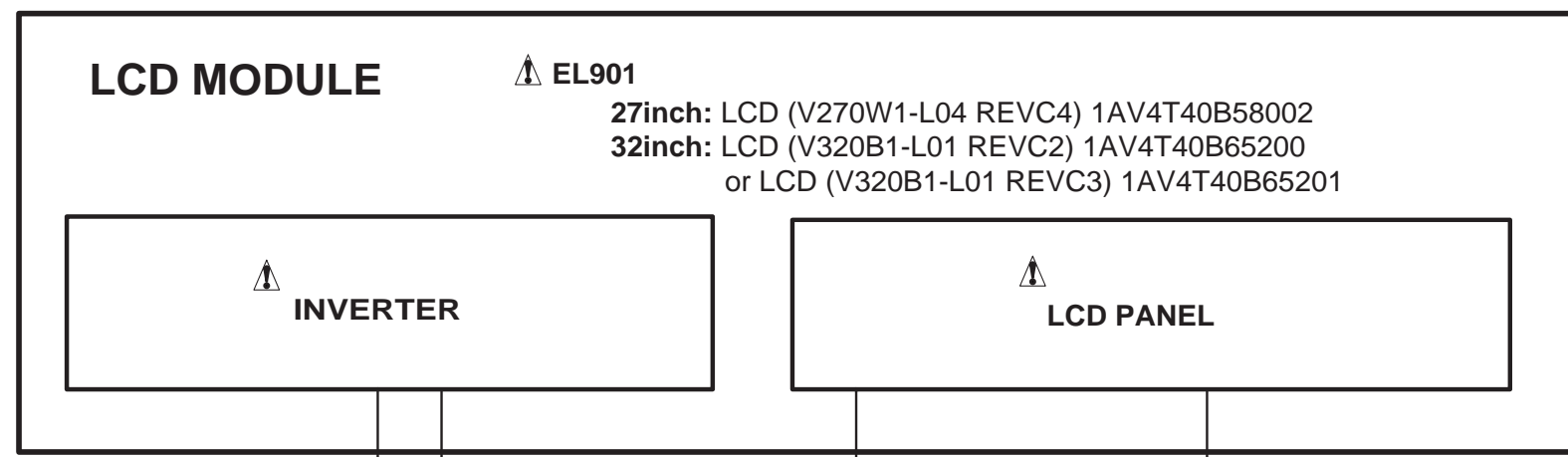


Printed Wiring Board

ASSY, PWB, POWER (Solder Side)







THE SERVICE PRECAUTION:
 The area enclosed by this line () is directly connected with AC mains voltage.
 When servicing the area, connect an isolating transformer between TV receiver and AC line to eliminate hazard of electric shock.

SANYO

COLOR TELEVISION
UE2-B CHASSIS SERIES

SERVICE REF. NO. LCD-27XL2-00 / LCD-27XL2B-00,-01
 LCD-32XL2-00 / LCD-32XL2B-00,-01

PRODUCT SAFETY NOTICE:
 Product safety should be considered when a component replacement is made in any area of a receiver.
 Components indicated by a mark Δ in this circuit diagram show components whose values have special significance to product safety. It is particularly recommended that only parts specified on the part service manual be used for components replacement pointed out by the mark.

CIRCUIT DIAGRAM NOTICE:
 1. All resistance value are in ohms, K=1,000, M=1,000,000.
 2. All resistance rated wattages are 1/6W unless otherwise noted.
 3. Excepting electrolytic capacitors, all capacitance values of less than 1are expressed in μ F and more than 1 are in μ F.
 4. All capacitance rated voltages are 50V unless otherwise noted.
 5. All inductance values are in μ H.
 6. This circuit diagram covers a basic or representative chassis only. There may be some components or partial circuit differences between the actual chassis and the circuit diagram.
 7. Parts specified with "X" are not installed in this model.
 8. Parts specified with "J" are just jumper wires.

9. Expression of capacitance and resistance in circuit diagram.

Capacitance (Example)
 1000 C M 2000 D

Resistance (Example)
 1/2 N J 1.2

Characteristic Capacitance value (220pF)
 Allowable error (±20%)
 Kind (Ceramic)
 Rated voltage (1,000V)

Resistance value (1.2Ω)
 Allowable error (±5%)
 Kind (M.carbon)
 Rated wattage (1/2W)

J=±5%
 K=±10%
 M=±20%

T: A, U, D;
 C: K, B, Ceramic
 F: Mylar film
 M, N: Polypropylene
 Z: Metallized paper

D: Carbon
 N: Metallized carbon
 S: Oxidized metal
 W: Wire winding
 C: Solid

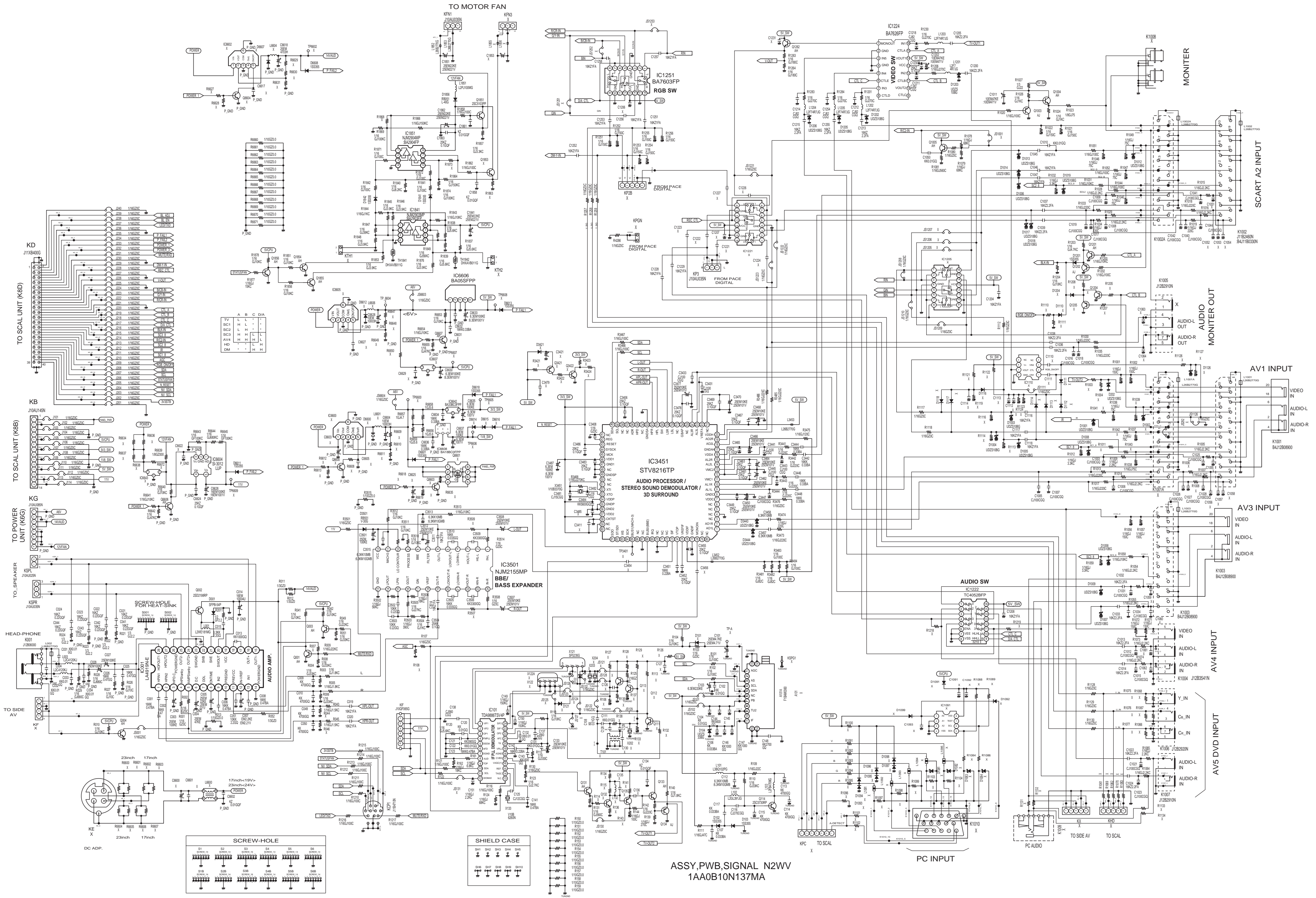
TRANSISTOR, DIODE AND INTEGRATED CIRCUIT TERMINAL GUIDE

C: COLLECTOR
 B: BASE
 E: EMITTER

A: ANODE
 K: KATHODE

CHIP COMPONENTS
 TRANSISTOR
 DIODE
 RESISTOR

PARTICULAR PARTS SYMBOL
 FUSIBLE RESISTOR
 NON POLE ELECTRIC CAPACITOR
 POSISTER



ASSY.PWB,SIGNAL N2WV
1AA0B10N137MA

