



## DFI KSM170-AL 17" Intel Atom/Celeron Modular-Designed Fanless Touch Panel PC

### Key Features:

- Proprietary modular design – Adaptive display platform
- Front OSD & Accessible 2.5" SATA drive bay
- Multiple panel sizes 7", 10.1", 12.1", 15", 15.6", 17", 18.5", 19", 21.5"
- Resistive/Projective Capacitive touch screen
- Supports 24V / 9~48V power board module
- Fanless, Cableless design
- 12V / 24V / 48V Ignition power control
- 15-year CPU life cycle support until Q4'31 (Based on Intel IOTG Roadmap)

## Description

The KSM-AL series is DFI's lineup of fanless panel PCs based on Intel Atom processors for Industrial automation, infotainment, selfservice, smart transportation and IoT applications. This series supports 7- to 21.5- inch LED backlight LCD panel with features such as PCAP or resistive touch, gloved finger touchscreen, auto-dimming and aluminum alloy front bezel plus IP65 rating for protection against dust and water ingress. The KSM-AL series offers the option of built-in power ignition management and two internal Mini PCIe slots suitable for in-vehicle applications and automatic guided vehicle market. With the extended power input from 9 to 48V DC and OVP/OCP/ESD surge protection, the system can power on and operate safely. The KSM-AL series also supports DFI's Adaptive Display Platform (ADP) Technology. It is an innovative panel PC solution that offers the flexibility of modularized integration of panel PC components for expedited product development and shortened time to market.

## Website Specification

	KSM170-AL
Display Type	17" TFT LCD Panel
Aspect Ratio	5:4
Max. Resolution	1280 x 1024
Brightness (cd/m2)	350
Touch Type	Projected Capacitive/5-wire Resistive
Backlight Lifetime (hours)	30000
USB (Opt)	1 x USB 2.0
OSD Keypad (Opt)	Backlight On-Off / Brightness Up / Brightness Down / Audio Up / Audio Down
LED Indicators (Opt)	Power LED / HDD LED / Alarm LED
Speaker (Opt)	2 x 1.5W Speaker
Auto Dimming (Opt)	Light Sensor
Operating Temperature	0 to 50°C
Storage Temperature	-20 to 60°C
Relative Humidity	5 to 90% RH (non-condensing)
Processor	Intel Atom® x5-E3940 Processor, Quad Core, 2M Cache, 1.6GHz (1.8GHz), 9.5W Intel® Celeron® Processor N3350, Dual Core, 2M Cache, 1.1GHz (2.4GHz), 6W
Memory	Single Channel DDR3L 1866MHz
BIOS	Insyde SPI 128Mbit (supports UEFI boot only)
Graphics Controller	Intel® HD Graphics
Graphics Feature	OpenGL 4.2, Direct X 11.1, OpenCL 1.2, OGL ES 3.0 HW Decode: H.264, MPEG2, VC1, VP8, H.265, MPEG4 HW Encode: H.264, MPEG2, MPEG4
Graphics Display	DP++: resolution up to 4096×2160 @ 60Hz VGA: resolution up to 2560×1600 @ 60Hz DVI-D: resolution up to 1920×1200 @ 60Hz
Triple Displays	Panel Module, DP++, VGA or DVI-D
External Storage	1 x mSATA (shared by Half-size Mini-PCIe Socket)
Expansion Interface	1 x Full-size Mini PCIe (USB/PCIe) 1 x Half-size Mini PCIe (USB/PCIe/mSATA) 1 x SIM Slot
Audio Codec	Realtek ALC262
Controller	2 x Intel® I210IT PCIe (10/100/1000Mbps)
LED Indicators	1 x HDD LED
Serial	2 x RS-232/422/485 (available upon request)
Ethernet	Support Jumbo Frame, IEEE1588v2, WOL, PXE

DIO	4 x DI / 4 x DO (10-pin terminal block) (available upon request)
Buttons	1 x Reset Switch
Wi-Fi Antennas	4 x Wi-Fi Module Antenna Hole
USB	2 x USB 2.0 (type A)
Display	1 x VGA or DVI-D (DVI-D available upon request)
Audio	1 x Mic-in
Switch	1 x Ignition Power On/Off Switch
Remote Power On/Off	1 x 2-pin Terminal Block
Watchdog Timer Output & Interval	System Reset, Programmable via Software from 1 to 255 Seconds
Ignition Power On/Off	Auto Detect Boot-up & Shut-down Voltage for Low Power Protection Support 12V/24V/48V DC Input 7-level Delay Time On/Off Configuration I/O Switch Selectable Ignition Power On/Off
Watchdog Timer	System Reset, Programmable via Software from 1 to 255 Seconds
Antenna	4 x Antenna Hole
Power Type	9~48 VDC Input (available upon request)
Power Connector	3-pin Terminal Block
OS Support	Linux
Construction	Aluminum Front Bezel
IP Rating	IP65 Front Panel Protection
Mounting	Panel/VESA Mount
Dimensions	404 x 363.8 x 80.9
Weight	5.4 kg
Shock	Non-op : 50G, 20ms, half sine wave, 1 time for $\pm X$ , $\pm Y$ , $\pm Z$ direction
Vibration	Non-op : 1.5G , 10~200 Hz random, x, y, z each axis/30 min
Certifications	CE / FCC Class A



**Intel Atom® / Celeron® Processor  
Modular-Designed Industrial Panel PC**

**KSM-AL Series**



**Features**

- Support Adaptive Display Platform
- Multiple Panel Sizes with Resistive/P-Capacitive Touch Screen
- Front OSD & Auto Dimming
- Supports 24V / 9~48V Power Board Module
- Accessible 2.5" SATA Drive Bay
- IP65 Front Panel Protection
- 12V/24V/48V Ignition Power Control
- Wide Operating Temperature

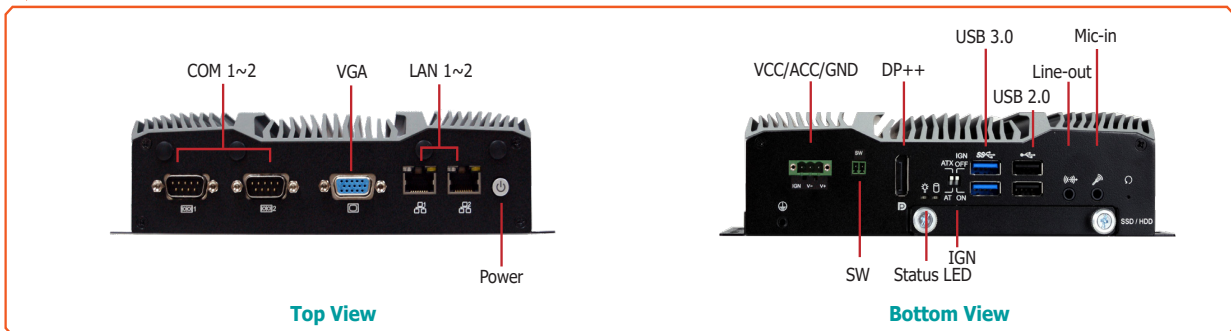


**Overview**

The KSM-AL series is DFI's lineup of fanless panel PCs based on Intel Atom® processors for Industrial automation, infotainment, self-service, smart transportation and IoT applications. This series supports 7- to 21.5- inch LED backlight LCD panel with features such as PCAP or resistive touch, gloved finger touchscreen, auto-dimming and aluminum alloy front bezel plus IP65 rating for protection against dust and water ingress. The KSM-AL series offers the option of built-in power ignition management and two internal Mini PCIe slots suitable for in-vehicle applications and automatic guided vehicle market. With the extended power input from 9 to 48V DC and OVP/OCP/ESD surge protection, the system can power on and operate safely.

The KSM-AL series also supports DFI's Adaptive Display Platform (ADP) Technology. It is an innovative panel PC solution that offers the flexibility of modularized integration of panel PC components for expedited product development and shortened time to market.

**System**





### Standard Ratio Specifications

Model Name		KSM121-AL	KSM150-AL	KSM170-AL	KSM190-AL
<b>Display &amp; Touch Screen</b>	<b>Display Type</b>	12.1" TFT LCD Panel	15" TFT LCD Panel	17" TFT LCD Panel	19" TFT LCD Panel
	<b>Aspect Ratio</b>	4 : 3	4 : 3	5 : 4	5 : 4
	<b>Max. Resolution</b>	1024 x 768	1024 x 768	1280 x 1024	1280 x 1024
	<b>Brightness (cd/m<sup>2</sup>)</b>	500	300	350	350
	<b>Touch Type</b>	Projected Capacitive / 5-wire Resistive			
	<b>Backlight Lifetime (hours)</b>	30,000	70,000	30,000	70,000
<b>Front I/O</b>	<b>USB (Opt.)</b>	1 x USB 2.0			
	<b>OSD Keypad (Opt.)</b>	Backlight On-Off / Brightness Up / Brightness Down / Audio Up / Audio Down			
	<b>LED Indicators (Opt.)</b>	Power LED / HDD LED / Alarm LED			
<b>Audio</b>	<b>Speaker (Opt.)</b>	2 x 1.5W Speaker			
<b>Others</b>	<b>Auto Dimming (Opt.)</b>	Light Sensor			
<b>Environment</b>	<b>Operating Temperature</b>	-20 to 70°C	-20 to 70°C	0 to 50°C	-20 to 70°C
	<b>Storage Temperature</b>	-40 to 80°C	-30 to 70°C	-20 to 60°C	-30 to 85°C
	<b>Relative Humidity</b>	5 to 90% RH (non-condensing)			
<b>SYSTEM</b>	<b>Processor</b>	Intel Atom® x5-E3940 Processor, Quad Core, 2M Cache, 1.6GHz (1.8GHz), 9.5W Intel® Celeron® Processor N3350, Dual Core, 2M Cache, 1.1GHz (2.4GHz), 6W			
	<b>Memory</b>	One 204-pin SODIMM up to 8GB Single Channel DDR3L 1866MHz			
	<b>BIOS</b>	Insyde SPI 128Mbit (supports UEFI boot only)			
<b>GRAPHICS</b>	<b>Controller</b>	Intel® HD Graphics			
	<b>Feature</b>	OpenGL 4.2, Direct X 11.1, OpenCL 1.2, OGL ES 3.0 HW Decode: H.264, MPEG2, VC1, VP8, H.265, MPEG4 HW Encode: H.264, MPEG2, MPEG4			
	<b>Display</b>	1 x DP++ 1 x VGA or DVI-D (DVI-D available upon request)		DP++: resolution up to 4096x2160 @ 60Hz VGA: resolution up to 2560x1600 @ 60Hz DVI-D: resolution up to 1920x1200 @ 60Hz	
	<b>Triple Displays</b>	Panel Module, DP++, VGA or DVI-D			
<b>STORAGE EXPANSION</b>	<b>External</b>	1 x 2.5" SATA 3.0 Drive Bay (accessible)		1 x mSATA (shared by Half-size Mini-PCIe Socket)	
	<b>Interface</b>	1 x Full-size Mini PCIe (USB/PCIe) 1 x Half-size Mini PCIe (USB/PCIe/mSATA) 1 x SIM Slot			
<b>AUDIO</b>	<b>Audio Codec</b>	Realtek ALC262			
<b>ETHERNET</b>	<b>Controller</b>	2 x Intel® I210IT PCIe (10/100/1000Mbps)			
<b>LED</b>	<b>Indicators</b>	1 x Power LED		1 x HDD LED	
<b>I/O</b>	<b>Serial</b>	2 x RS-232/422/485 (DB9) Support 5V/12V Power		2 x RS-232/422/485 (available upon request)	
	<b>Ethernet</b>	2 x GbE (RJ-45) (10/100/1000Mbps)		Support Jumbo Frame, IEEE1588v2, WOL, PXE 802.3 af PoE (PSE), Individual Port 15.4W (available upon request)	
	<b>DIO</b>	4 x DI / 4 x DO (10-pin terminal block) (available upon request)			
	<b>Buttons</b>	1 x Power Button		1 x Reset Switch	
	<b>Wi-Fi Antennas</b>	4 x Wi-Fi Module Antenna Hole			
	<b>USB</b>	2 x USB 3.0 (type A) 2 x USB 2.0 (available upon request)		2 x USB 2.0 (type A)	
	<b>Display</b>	1 x DP++		1 x VGA or DVI-D (DVI-D available upon request)	
	<b>Audio</b>	1 x Line-out		1 x Mic-in	
	<b>Switch</b>	1 x AT/ATX Switch		1 x Ignition Power On/Off Switch	
	<b>Remote Power On/Off</b>	1 x 2-pin Terminal Block			
	<b>WATCHDOG TIMER</b>	<b>Output &amp; Interval</b>	System Reset, Programmable via Software from 1 to 255 Seconds		
<b>OTHER FUNCTIONS</b>	<b>Ignition Power On/Off</b>	Auto Detect Boot-up & Shut-down Voltage for Low Power Protection Support 12V/24V/48V DC Input 7-level Delay Time On/Off Configuration I/O Switch Selectable Ignition Power On/Off			
	<b>Watchdog Timer</b>	System Reset, Programmable via Software from 1 to 255 Seconds			
	<b>Antenna</b>	4 x Antenna Hole			
<b>POWER</b>	<b>Type</b>	24 VDC Input (available upon request)		9~48 VDC Input (available upon request)	
	<b>Connector</b>	3-pin Terminal Block			
<b>OS SUPPORT</b>		Windows 10 IoT Enterprise 64-bit		Linux	
<b>MECHANISM</b>	<b>Construction</b>	Aluminum Front Bezel			
	<b>IP Rating</b>	IP65 Front Panel Protection			
	<b>Mounting</b>	Panel/VESA Mount			
	<b>Dimensions (W x H x D)</b>	308 x 265.3 x 77.9	387 x 320 x 80.5	404 x 363.8 x 80.9	467 x 400 x 80.5
	<b>Weight</b>	TBD	5.3 kg	5.4 kg	7.6 kg
<b>STANDARDS AND CERTIFICATIONS</b>	<b>Shock</b>	Non-op : 200G, 2ms, half sine wave, 1 time for ± X, ± Y, ± Z direction	Non-op : 50G, 11ms, half sine wave, 1 time for ± X, ± Y, ± Z direction	Non-op : 50G, 20ms, half sine wave, 1 time for ± X, ± Y, ± Z direction	Non-op : 50G, 20ms, half sine wave, 1 time for ± X, ± Y, ± Z direction
	<b>Vibration</b>	Non-op: 1.5G, 10 ~ 300 Hz sine wave, 10 min/cycle, 3 cycles each X, Y, Z direction	Non-op: 1.5G, 10 ~ 300 Hz sine wave, 10 min/cycle, 3 cycles each X, Y, Z direction	Non-op : 1.5G, 10~200 Hz random, x, y, z each axis/30 min	Non-op : 1.5G, 10~200 Hz random, x, y, z each axis/30 min
	<b>Certifications</b>	CE / FCC Class A			
	<b>Patent No. (Taiwan)</b>	I670589			



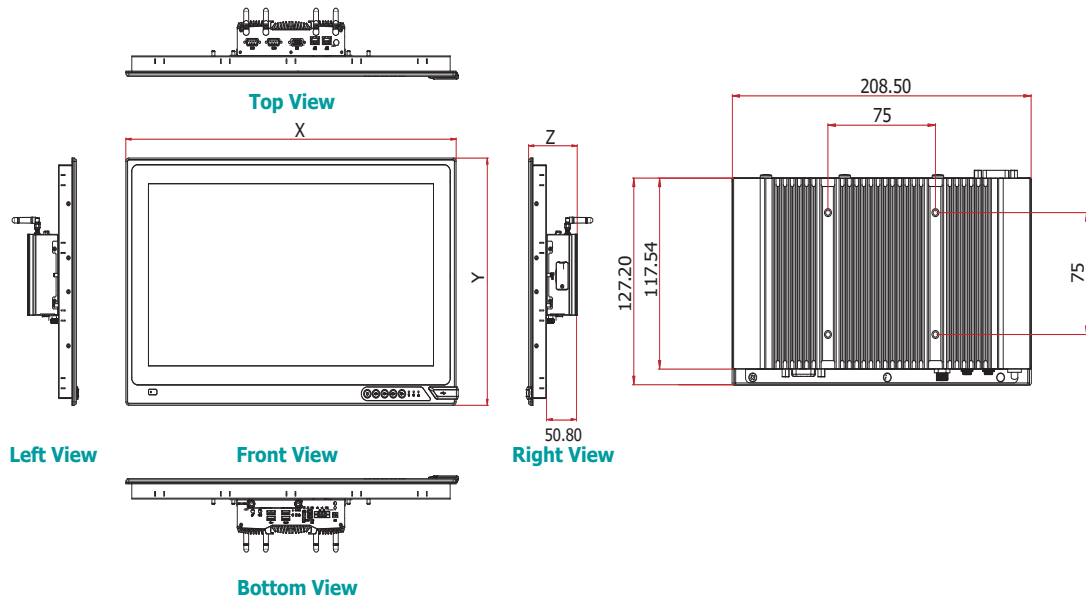
**Widescreen Ratio Specifications**

Model Name		KSM070-AL	KSM101-AL	KSM156-AL	KSM185-AL	KSM215-AL	
<b>Display &amp; Touch Screen</b>	<b>Display Type</b>	7" TFT LCD Panel	10.1" TFT LCD Panel	15.6" TFT LCD Panel	18.5" TFT LCD Panel	21.5" TFT LCD Panel	
	<b>Aspect Ratio</b>	16 : 9	16 : 10	16 : 9	16 : 9	16 : 9	
	<b>Max. Resolution</b>	800 x 480	1280 x 800	1366 x 768	1366 x 768	1920 x 1080	
	<b>Brightness (cd/m<sup>2</sup>)</b>	500	350	400	450	300	
	<b>Touch Type</b>	Projected Capacitive / 4-wire Resistive					
	<b>Backlight Lifetime (hours)</b>	40,000	25,000	50,000			
<b>Front I/O</b>	<b>USB (Opt.)</b>	1 x USB 2.0					
	<b>OSD Keypad (Opt.)</b>	Backlight On-Off / Brightness Up / Brightness Down / Audio Up / Audio Down					
	<b>LED Indicators (Opt.)</b>	Power LED / HDD LED / Alarm LED					
<b>Audio</b>	<b>Speaker (Opt.)</b>	2 x 1.5W Speaker					
<b>Others</b>	<b>Auto Dimming (Opt.)</b>	Light Sensor					
<b>Environment</b>	<b>Operating Temperature</b>	-20 to 70°C	-20 to 70°C	0 to 60°C	0 to 60°C	0 to 60°C	
	<b>Storage Temperature</b>	-30 to 80°C	-30 to 80°C	-20 to 60°C	-20 to 60°C	-20 to 60°C	
	<b>Relative Humidity</b>	5 to 90% RH (non-condensing)					
<b>SYSTEM</b>	<b>Processor</b>	Intel Atom® x5-E3940 Processor, Quad Core, 2M Cache, 1.6GHz (1.8GHz), 9.5W Intel® Celeron® Processor N3350, Dual Core, 2M Cache, 1.1GHz (2.4GHz), 6W					
	<b>Memory</b>	One 204-pin SODIMM up to 8GB Single Channel DDR3L 1866MHz					
	<b>BIOS</b>	Insyde SPI 128Mbit (supports UEFI boot only)					
<b>GRAPHICS</b>	<b>Controller</b>	Intel® HD Graphics					
	<b>Feature</b>	OpenGL 4.2, Direct X 11.1, OpenCL 1.2, OGL ES 3.0 HW Decode: H.264, MPEG2, VC1, VP8, H.265, MPEG4 HW Encode: H.264, MPEG2, MPEG4					
	<b>Display</b>	1 x DP++ 1 x VGA or DVI-D (DVI-D available upon request)		DP++: resolution up to 4096x2160 @ 60Hz VGA: resolution up to 2560x1600 @ 60Hz DVI-D: resolution up to 1920x1200 @ 60Hz			
	<b>Triple Displays</b>	Panel Module, DP++, VGA or DVI-D					
<b>STORAGE</b>	<b>External</b>	1 x 2.5" SATA 3.0 Drive Bay (accessible)		1 x mSATA (shared by Half-size Mini-PCIe Socket)			
<b>EXPANSION</b>	<b>Interface</b>	1 x Full-size Mini PCIe (USB/PCIe) 1 x Half-size Mini PCIe (USB/PCIe/mSATA) 1 x SIM Slot					
	<b>AUDIO</b>	<b>Audio Codec</b>	Realtek ALC262				
<b>ETHERNET</b>	<b>Controller</b>	2 x Intel® I210IT PCIe (10/100/1000Mbps)					
<b>LED</b>	<b>Indicators</b>	1 x Power LED		1 x HDD LED			
<b>I/O</b>	<b>Serial</b>	2 x RS-232/422/485 (DB9) Support 5V/12V Power		2 x RS-232/422/485 (available upon request)			
	<b>Ethernet</b>	2 x GbE (RJ-45) (10/100/1000Mbps)		Support Jumbo Frame, IEEE1588v2, WOL, PXE 802.3 af PoE (PSE), Individual Port 15.4W (available upon request)			
	<b>DIO</b>	4 x DI / 4 x DO (10-pin terminal block) (available upon request)					
	<b>Buttons</b>	1 x Power Button, 1 x Reset Switch					
	<b>Wi-Fi Antennas</b>	4 x Wi-Fi Module Antenna Hole					
	<b>USB</b>	2 x USB 3.0 (type A) 2 x USB 2.0 (available upon request)		2 x USB 2.0 (type A)			
	<b>Display</b>	1 x DP++		1 x VGA or DVI-D (DVI-D available upon request)			
	<b>Audio</b>	1 x Line-out		1 x Mic-in			
	<b>Switch</b>	1 x AT/ATX Switch		1 x Ignition Power On/Off Switch			
	<b>Remote Power On/Off</b>	1 x 2-pin Terminal Block					
	<b>Output &amp; Interval</b>	System Reset, Programmable via Software from 1 to 255 Seconds					
	<b>WATCHDOG TIMER</b>	<b>Ignition Power On/Off</b>	Auto Detect Boot-up & Shut-down Voltage for Low Power Protection Support 12V/24V/48V DC Input 7-level Delay Time On/Off Configuration I/O Switch Selectable Ignition Power On/Off				
		<b>Watchdog Timer</b>	System Reset, Programmable via Software from 1 to 255 Seconds				
<b>Antenna</b>		4 x Antenna Hole					
<b>POWER</b>	<b>Type</b>	24 VDC Input (available upon request)		9~48 VDC Input (available upon request)			
	<b>Connector</b>	3-pin Terminal Block					
<b>OS SUPPORT</b>		Windows 10 IoT Enterprise 64-bit		Linux			
<b>MECHANISM</b>	<b>Construction</b>	Aluminum Front Bezel					
	<b>IP Rating</b>	IP65 Front Panel Protection					
	<b>Mounting</b>	Panel/VESA Mount					
	<b>Dimensions (W x H x D)</b>	224 x 163.55 x 72.9	275 x 212.3 x 72.9	407.3 x 277.3 x 6.1	472.1 x 314.1 x 80.9	544.2 x 360.6 x 80.9	
	<b>Weight</b>	2.2 kg	TBD	TBD	5.7 kg	7 kg	
<b>STANDARDS AND CERTIFICATIONS</b>	<b>Shock</b>	TBD	Non-op : 240G, 2ms, half sine wave, 1 time for ± X, ± Y, ± Z direction	Non-op : 50G, 20ms, half sine wave, 1 time for ± X, ± Y, ± Z direction	Non-op : 50G, 20ms, half sine wave, 1 time for ± X, ± Y, ± Z direction	Non-op : 50G, 20ms, half sine wave, 1 time for ± X, ± Y, ± Z direction	
	<b>Vibration</b>	Non-op: 1.5G, 10 ~ 300 Hz sine wave, 10 min/cycle, 3 cycles each X,Y, Z direction	Non-op: 1.5G, 10 ~ 300 Hz sine wave, 10 min/cycle, 3 cycles each X,Y, Z direction	Non-op : 1.5G, 10~200 Hz random, x, y, z each axis/30 min	Non-op : 1.5G, 10~200 Hz random, x, y, z each axis/30 min	Non-op : 1.5G, 10~200 Hz random, x, y, z each axis/30 min	
	<b>Certifications</b>	CE / FCC Class A					
<b>Patent No. (Taiwan)</b>	I670589						



**KSM-AL Series**

**Dimensions**



Display Type	System Dimensions (mm)		
	X1	Y1	Z1
7" LCD	224	163.55	72.9
10.1" LCD	275	212.3	72.9
12.1" LCD	308	265.3	77.9
15" LCD	387	320	80.5
15.6" LCD	407.3	277.3	76.1
17" LCD	404	363.8	80.9
18.5" LCD	472.1	314.1	80.9
19" LCD	467	400	80.5
21.5" LCD	544.2	360.63	80.9





**KSM-AL Series**

**Panel Mounting**

Suggested cut out size

Display Type	System Dimensions (mm)	
	X1	Y1
<b>PMKS070</b>	206	145.6
<b>PMKS101</b>	257	194.3
<b>PMKS121</b>	290	247.5
<b>PMKS150</b>	367	300
<b>PMKS156</b>	389.3	259.3
<b>PMKS170</b>	386	346
<b>PMKS185</b>	454	296.1
<b>PMKS190</b>	447	380
<b>PMKS215</b>	526.2	342.6



## KSM-AL Series

### Ordering Information

Model Name	Part Number	Description
<b>KSM070P-ALD24-N50</b>	TBD	KSM070P-ALD24-N50: 7" TFT WVGA Panel PC with Projected Capacitive Touch, Intel® Celeron® N3350, VGA, DP, IGN, DC Input 24V Terminal, F/G SYSTEM RoHS
<b>KSM070P-ALW48-N50</b>	TBD	KSM070P-ALW48-N50: 7" TFT WVGA Panel PC with Projected Capacitive Touch, Intel® Celeron® N3350, VGA, DP, IGN, DC Input 9~48V Terminal, F/G SYSTEM RoHS
<b>KSM070P-ALD24-E40</b>	TBD	KSM070P-ALD24-E40: 7" TFT WVGA Panel PC with Projected Capacitive Touch, Intel® Atom® x5-E3940, VGA, DP, IGN, DC Input 24V Terminal, F/G SYSTEM RoHS
<b>KSM070P-ALW48-E40</b>	TBD	KSM070P-ALW48-E40: 7" TFT WVGA Panel PC with Projected Capacitive Touch, Intel® Atom® x5-E3940, VGA, DP, IGN, DC Input 9~48V Terminal, F/G SYSTEM RoHS
<b>KSM070R-ALD24-N50</b>	TBD	KSM070R-ALD24-N50: 7" TFT WVGA Panel PC with Resistive Touch, Intel® Celeron® N3350, VGA, DP, IGN, DC Input 24V Terminal, F/G SYSTEM RoHS
<b>KSM070R-ALW48-N50</b>	750-KS07R0-200G	KSM070R-ALW48-N50: 7" TFT WVGA Panel PC with Resistive Touch, Intel® Celeron® N3350, VGA, DP, IGN, DC Input 9~48V Terminal, F/G SYSTEM RoHS
<b>KSM070R-ALD24-E40</b>	TBD	KSM070R-ALD24-E40: 7" TFT WVGA Panel PC with Resistive Touch, Intel® Atom® x5-E3940, VGA, DP, IGN, DC Input 24V Terminal, F/G SYSTEM RoHS
<b>KSM070R-ALW48-E40</b>	TBD	KSM070R-ALW48-E40: 7" TFT WVGA Panel PC with Resistive Touch, Intel® Atom® x5-E3940, VGA, DP, IGN, DC Input 9~48V Terminal, F/G SYSTEM RoHS
<b>KSM101P-ALD24-N50</b>	TBD	KSM101P-ALD24-N50: 10.1" TFT WXGA Panel PC with Projected Capacitive Touch, Intel® Celeron® N3350, VGA, DP, IGN, DC Input 24V Terminal, F/G SYSTEM RoHS
<b>KSM101P-ALW48-N50</b>	TBD	KSM101P-ALW48-N50: 10.1" TFT WXGA Panel PC with Projected Capacitive Touch, Intel® Celeron® N3350, VGA, DP, IGN, DC Input 9~48V Terminal, F/G SYSTEM RoHS
<b>KSM101P-ALD24-E40</b>	TBD	KSM101P-ALD24-E40: 10.1" TFT WXGA Panel PC with Projected Capacitive Touch, Intel® Atom® x5-E3940, VGA, DP, IGN, DC Input 24V Terminal, F/G SYSTEM RoHS
<b>KSM101P-ALW48-E40</b>	750-KS1011-100G	KSM101P-ALW48-E40: 10.1" TFT WXGA Panel PC with Projected Capacitive Touch, Intel® Atom® x5-E3940, VGA, DP, IGN, DC Input 9~48V Terminal, F/G SYSTEM RoHS
<b>KSM101R-ALD24-N50</b>	TBD	KSM101R-ALD24-N50: 10.1" TFT WXGA Panel PC with Resistive Touch, Intel® Celeron® N3350, VGA, DP, IGN, DC Input 24V Terminal, F/G SYSTEM RoHS
<b>KSM101R-ALW48-N50</b>	750-KS1011-000G	KSM101R-ALW48-N50: 10.1" TFT WXGA Panel PC with Resistive Touch, Intel® Celeron® N3350, VGA, DP, IGN, DC Input 9~48V Terminal, F/G SYSTEM RoHS
<b>KSM101R-ALD24-E40</b>	TBD	KSM101R-ALD24-E40: 10.1" TFT WXGA Panel PC with Resistive Touch, Intel® Atom® x5-E3940, VGA, DP, IGN, DC Input 24V Terminal, F/G SYSTEM RoHS
<b>KSM101R-ALW48-E40</b>	TBD	KSM101R-ALW48-E40: 10.1" TFT WXGA Panel PC with Resistive Touch, Intel® Atom® x5-E3940, VGA, DP, IGN, DC Input 9~48V Terminal, F/G SYSTEM RoHS
<b>KSM121P-ALD24-N50</b>	TBD	KSM121P-ALD24-N50: 12.1" TFT XGA Panel PC with Projected Capacitive Touch, Intel® Celeron® N3350, VGA, DP, IGN, DC Input 24V Terminal, F/G SYSTEM RoHS
<b>KSM121P-ALW48-N50</b>	TBD	KSM121P-ALW48-N50: 12.1" TFT XGA Panel PC with Projected Capacitive Touch, Intel® Celeron® N3350, VGA, DP, IGN, DC Input 9~48V Terminal, F/G SYSTEM RoHS
<b>KSM121P-ALD24-E40</b>	TBD	KSM121P-ALD24-E40: 12.1" TFT XGA Panel PC with Projected Capacitive Touch, Intel® Atom® x5-E3940, VGA, DP, IGN, DC Input 24V Terminal, F/G SYSTEM RoHS
<b>KSM121P-ALW48-E40</b>	750-KS1210-100G	KSM121P-ALW48-E40: 12.1" TFT XGA Panel PC with Projected Capacitive Touch, Intel® Atom® x5-E3940, VGA, DP, IGN, DC Input 9~48V Terminal, F/G SYSTEM RoHS
<b>KSM121R-ALD24-N50</b>	TBD	KSM121R-ALD24-N50: 12.1" TFT XGA Panel PC with Resistive Touch, Intel® Celeron® N3350, VGA, DP, IGN, DC Input 24V Terminal, F/G SYSTEM RoHS
<b>KSM121R-ALW48-N50</b>	TBD	KSM121R-ALW48-N50: 12.1" TFT XGA Panel PC with Resistive Touch, Intel® Celeron® N3350, VGA, DP, IGN, DC Input 9~48V Terminal, F/G SYSTEM RoHS
<b>KSM121R-ALD24-E40</b>	TBD	KSM121R-ALD24-E40: 12.1" TFT XGA Panel PC with Resistive Touch, Intel® Atom® x5-E3940, VGA, DP, IGN, DC Input 24V Terminal, F/G SYSTEM RoHS
<b>KSM121R-ALW48-E40</b>	TBD	KSM121R-ALW48-E40: 12.1" TFT XGA Panel PC with Resistive Touch, Intel® Atom® x5-E3940, VGA, DP, IGN, DC Input 9~48V Terminal, F/G SYSTEM RoHS



**KSM-AL Series**

**Ordering Information**

Model Name	Part Number	Description
<b>KSM150P-ALD24-N50</b>	TBD	KSM150P-ALD24-N50: 15" TFT XGA Panel PC with Projected Capacitive Touch, Intel® Celeron® N3350, VGA, DP, IGN, DC Input 24V Terminal, F/G SYSTEM RoHS
<b>KSM150P-ALW48-N50</b>	TBD	KSM150P-ALW48-N50: 15" TFT XGA Panel PC with Projected Capacitive Touch, Intel® Celeron® N3350, VGA, DP, IGN, DC Input 9~48V Terminal, F/G SYSTEM RoHS
<b>KSM150P-ALD24-E40</b>	TBD	KSM150P-ALD24-E40: 15" TFT XGA Panel PC with Projected Capacitive Touch, Intel® Atom® x5-E3940, VGA, DP, IGN, DC Input 24V Terminal, F/G SYSTEM RoHS
<b>KSM150P-ALW48-E40</b>	TBD	KSM150P-ALW48-E40: 15" TFT XGA Panel PC with Projected Capacitive Touch, Intel® Atom® x5-E3940, VGA, DP, IGN, DC Input 9~48V Terminal, F/G SYSTEM RoHS
<b>KSM150R-ALD24-N50</b>	TBD	KSM150R-ALD24-N50: 15" TFT XGA Panel PC with Resistive Touch, Intel® Celeron® N3350, VGA, DP, IGN, DC Input 24V Terminal, F/G SYSTEM RoHS
<b>KSM150R-ALW48-N50</b>	TBD	KSM150R-ALW48-N50: 15" TFT XGA Panel PC with Resistive Touch, Intel® Celeron® N3350, VGA, DP, IGN, DC Input 9~48V Terminal, F/G SYSTEM RoHS
<b>KSM150R-ALD24-E40</b>	TBD	KSM150R-ALD24-E40: 15" TFT XGA Panel PC with Resistive Touch, Intel® Atom® x5-E3940, VGA, DP, IGN, DC Input 24V Terminal, F/G SYSTEM RoHS
<b>KSM150R-ALW48-E40</b>	TBD	KSM150R-ALW48-E40: 15" TFT XGA Panel PC with Resistive Touch, Intel® Atom® x5-E3940, VGA, DP, IGN, DC Input 9~48V Terminal, F/G SYSTEM RoHS
<b>KSM156P-ALD24-N50</b>	TBD	KSM156P-ALD24-N50: 15.6" TFT HD Panel PC with Projected Capacitive Touch, Intel® Celeron® N3350, VGA, DP, IGN, DC Input 24V Terminal, F/G SYSTEM RoHS
<b>KSM156P-ALW48-N50</b>	TBD	KSM156P-ALW48-N50: 15.6" TFT HD Panel PC with Projected Capacitive Touch, Intel® Celeron® N3350, VGA, DP, IGN, DC Input 9~48V Terminal, F/G SYSTEM RoHS
<b>KSM156P-ALD24-E40</b>	TBD	KSM156P-ALD24-E40: 15.6" TFT HD Panel PC with Projected Capacitive Touch, Intel® Atom® x5-E3940, VGA, DP, IGN, DC Input 24V Terminal, F/G SYSTEM RoHS
<b>KSM156P-ALW48-E40</b>	TBD	KSM156P-ALW48-E40: 15.6" TFT HD Panel PC with Projected Capacitive Touch, Intel® Atom® x5-E3940, VGA, DP, IGN, DC Input 9~48V Terminal, F/G SYSTEM RoHS
<b>KSM156R-ALD24-N50</b>	TBD	KSM156R-ALD24-N50: 15.6" TFT HD Panel PC with Resistive Touch, Intel® Celeron® N3350, VGA, DP, IGN, DC Input 24V Terminal, F/G SYSTEM RoHS
<b>KSM156R-ALW48-N50</b>	750-K15603-000G	KSM156R-ALW48-N50: 15.6" TFT HD Panel PC with Resistive Touch, Intel® Celeron® N3350, VGA, DP, IGN, DC Input 9~48V Terminal, F/G SYSTEM RoHS
<b>KSM156R-ALD24-E40</b>	TBD	KSM156R-ALD24-E40: 15.6" TFT HD Panel PC with Resistive Touch, Intel® Atom® x5-E3940, VGA, DP, IGN, DC Input 24V Terminal, F/G SYSTEM RoHS
<b>KSM156R-ALW48-E40</b>	TBD	KSM156R-ALW48-E40: 15.6" TFT HD Panel PC with Resistive Touch, Intel® Atom® x5-E3940, VGA, DP, IGN, DC Input 9~48V Terminal, F/G SYSTEM RoHS
<b>KSM170P-ALD24-N50</b>	TBD	KSM170P-ALD24-N50: 17" TFT SXGA Panel PC with Projected Capacitive Touch, Intel® Celeron® N3350, VGA, DP, IGN, DC Input 24V Terminal, F/G SYSTEM RoHS
<b>KSM170P-ALW48-N50</b>	TBD	KSM170P-ALW48-N50: 17" TFT SXGA Panel PC with Projected Capacitive Touch, Intel® Celeron® N3350, VGA, DP, IGN, DC Input 9~48V Terminal, F/G SYSTEM RoHS
<b>KSM170P-ALD24-E40</b>	TBD	KSM170P-ALD24-E40: 17" TFT SXGA Panel PC with Projected Capacitive Touch, Intel® Atom® x5-E3940, VGA, DP, IGN, DC Input 24V Terminal, F/G SYSTEM RoHS
<b>KSM170P-ALW48-E40</b>	TBD	KSM170P-ALW48-E40: 17" TFT SXGA Panel PC with Projected Capacitive Touch, Intel® Atom® x5-E3940, VGA, DP, IGN, DC Input 9~48V Terminal, F/G SYSTEM RoHS
<b>KSM170R-ALD24-N50</b>	TBD	KSM170R-ALD24-N50: 17" TFT SXGA Panel PC with Resistive Touch, Intel® Celeron® N3350, VGA, DP, IGN, DC Input 24V Terminal, F/G SYSTEM RoHS
<b>KSM170R-ALW48-N50</b>	TBD	KSM170R-ALW48-N50: 17" TFT SXGA Panel PC with Resistive Touch, Intel® Celeron® N3350, VGA, DP, IGN, DC Input 9~48V Terminal, F/G SYSTEM RoHS
<b>KSM170R-ALD24-E40</b>	TBD	KSM170R-ALD24-E40: 17" TFT SXGA Panel PC with Resistive Touch, Intel® Atom® x5-E3940, VGA, DP, IGN, DC Input 24V Terminal, F/G SYSTEM RoHS
<b>KSM170R-ALW48-E40</b>	TBD	KSM170R-ALW48-E40: 17" TFT SXGA Panel PC with Resistive Touch, Intel® Atom® x5-E3940, VGA, DP, IGN, DC Input 9~48V Terminal, F/G SYSTEM RoHS



**Ordering Information**

Model Name	Part Number	Description
<b>KSM185P-ALD24-N50</b>	TBD	KSM185P-ALD24-N50: 18.5" TFT WXGA Panel PC with Projected Capacitive Touch, Intel® Celeron® N3350, VGA, DP, IGN, DC Input 24V Terminal, F/G SYSTEM RoHS
<b>KSM185P-ALW48-N50</b>	TBD	KSM185P-ALW48-N50: 18.5" TFT WXGA Panel PC with Projected Capacitive Touch, Intel® Celeron® N3350, VGA, DP, IGN, DC Input 9~48V Terminal, F/G SYSTEM RoHS
<b>KSM185P-ALD24-E40</b>	TBD	KSM185P-ALD24-E40: 18.5" TFT WXGA Panel PC with Projected Capacitive Touch, Intel® Atom® x5-E3940, VGA, DP, IGN, DC Input 24V Terminal, F/G SYSTEM RoHS
<b>KSM185P-ALW48-E40</b>	TBD	KSM185P-ALW48-E40: 18.5" TFT WXGA Panel PC with Projected Capacitive Touch, Intel® Atom® x5-E3940, VGA, DP, IGN, DC Input 9~48V Terminal, F/G SYSTEM RoHS
<b>KSM185R-ALD24-N50</b>	TBD	KSM185R-ALD24-N50: 18.5" TFT WXGA Panel PC with Resistive Touch, Intel® Celeron® N3350, VGA, DP, IGN, DC Input 24V Terminal, F/G SYSTEM RoHS
<b>KSM185R-ALW48-N50</b>	TBD	KSM185R-ALW48-N50: 18.5" TFT WXGA Panel PC with Resistive Touch, Intel® Celeron® N3350, VGA, DP, IGN, DC Input 9~48V Terminal, F/G SYSTEM RoHS
<b>KSM185R-ALD24-E40</b>	TBD	KSM185R-ALD24-E40: 18.5" TFT WXGA Panel PC with Resistive Touch, Intel® Atom® x5-E3940, VGA, DP, IGN, DC Input 24V Terminal, F/G SYSTEM RoHS
<b>KSM185R-ALW48-E40</b>	TBD	KSM185R-ALW48-E40: 18.5" TFT WXGA Panel PC with Resistive Touch, Intel® Atom® x5-E3940, VGA, DP, IGN, DC Input 9~48V Terminal, F/G SYSTEM RoHS
<b>KSM190P-ALD24-N50</b>	TBD	KSM190P-ALD24-N50: 19" TFT SXGA HD Panel PC with Projected Capacitive Touch, Intel® Celeron® N3350, VGA, DP, IGN, DC Input 24V Terminal, F/G SYSTEM RoHS
<b>KSM190P-ALW48-N50</b>	TBD	KSM190P-ALW48-N50: 19" TFT SXGA Panel PC with Projected Capacitive Touch, Intel® Celeron® N3350, VGA, DP, IGN, DC Input 9~48V Terminal, F/G SYSTEM RoHS
<b>KSM190P-ALD24-E40</b>	TBD	KSM190P-ALD24-E40: 19" TFT SXGA Panel PC with Projected Capacitive Touch, Intel® Atom® x5-E3940, VGA, DP, IGN, DC Input 24V Terminal, F/G SYSTEM RoHS
<b>KSM190P-ALW48-E40</b>	TBD	KSM190P-ALD24-E40: 19" TFT SXGA Panel PC with Projected Capacitive Touch, Intel® Atom® x5-E3940, VGA, DP, IGN, DC Input 9~48V Terminal, F/G SYSTEM RoHS
<b>KSM190R-ALD24-N50</b>	TBD	KSM190R-ALD24-N50: 19" TFT SXGA Panel PC with Resistive Touch, Intel® Celeron® N3350, VGA, DP, IGN, DC Input 24V Terminal, F/G SYSTEM RoHS
<b>KSM190R-ALW48-N50</b>	TBD	KSM190R-ALW48-N50: 19" TFT SXGA Panel PC with Resistive Touch, Intel® Celeron® N3350, VGA, DP, IGN, DC Input 9~48V Terminal, F/G SYSTEM RoHS
<b>KSM190R-ALD24-E40</b>	TBD	KSM190R-ALD24-E40: 19" TFT SXGA Panel PC with Resistive Touch, Intel® Atom® x5-E3940, VGA, DP, IGN, DC Input 24V Terminal, F/G SYSTEM RoHS
<b>KSM190R-ALW48-E40</b>	TBD	KSM190R-ALW48-E40: 19" TFT SXGA Panel PC with Resistive Touch, Intel® Atom® x5-E3940, VGA, DP, IGN, DC Input 9~48V Terminal, F/G SYSTEM RoHS
<b>KSM215P-ALD24-N50</b>	TBD	KSM215P-ALD24-N50: 21.5" TFT FHD Panel PC with Projected Capacitive Touch, Intel® Celeron® N3350, VGA, DP, IGN, DC Input 24V Terminal, F/G SYSTEM RoHS
<b>KSM215P-ALW48-N50</b>	TBD	KSM215P-ALW48-N50: 21.5" TFT FHD Panel PC with Projected Capacitive Touch, Intel® Celeron® N3350, VGA, DP, IGN, DC Input 9~48V Terminal, F/G SYSTEM RoHS
<b>KSM215P-ALD24-E40</b>	TBD	KSM215P-ALD24-E40: 21.5" TFT FHD Panel PC with Projected Capacitive Touch, Intel® Atom® x5-E3940, VGA, DP, IGN, DC Input 24V Terminal, F/G SYSTEM RoHS
<b>KSM215P-ALW48-E40</b>	TBD	KSM215P-ALW48-E40: 21.5" TFT FHD Panel PC with Projected Capacitive Touch, Intel® Atom® x5-E3940, VGA, DP, IGN, DC Input 9~48V Terminal, F/G SYSTEM RoHS
<b>KSM215R-ALD24-N50</b>	TBD	KSM215R-ALD24-N50: 21.5" TFT FHD Panel PC with Resistive Touch, Intel® Celeron® N3350, VGA, DP, IGN, DC Input 24V Terminal, F/G SYSTEM RoHS
<b>KSM215R-ALW48-N50</b>	TBD	KSM215R-ALW48-N50: 21.5" TFT FHD Panel PC with Resistive Touch, Intel® Celeron® N3350, VGA, DP, IGN, DC Input 9~48V Terminal, F/G SYSTEM RoHS
<b>KSM215R-ALD24-E40</b>	TBD	KSM215R-ALD24-E40: 21.5" TFT FHD Panel PC with Resistive Touch, Intel® Atom® x5-E3940, VGA, DP, IGN, DC Input 24V Terminal, F/G SYSTEM RoHS
<b>KSM215R-ALW48-E40</b>	TBD	KSM215R-ALW48-E40: 21.5" TFT FHD Panel PC with Resistive Touch, Intel® Atom® x5-E3940, VGA, DP, IGN, DC Input 9~48V Terminal, F/G SYSTEM RoHS



**KSM-AL Series**

► **Optional Items**

Optional Items	Part Number	Description
<b>HDD</b>	785-H25500G	2.5" SATA HDD, 500GB, RoHS
	785-H25320G	2.5" SATA HDD, 320GB, RoHS
	785-S25512G	2.5" SATA SSD, 512GB MLC, RoHS
	785-S25256G	2.5" SATA SSD, 256GB MLC, RoHS
	785-S25128G	2.5" SATA SSD, 128GB MLC, RoHS
	785-S25064G	2.5" SATA SSD, 64GB MLC, RoHS
	785-S25032G	2.5" SATA SSD, 32GB MLC, RoHS
<b>mSATA</b>	785-MS128GMF	mSATA mini, 128GB MLC, RoHS
	785-MS64GMF	mSATA mini, 64GB MLC, RoHS
	785-MS32GMF	mSATA mini, 32GB MLC, RoHS
	785-MS16GMF	mSATA mini, 16GB MLC, RoHS
<b>Wi-Fi</b>	761-110091-000G	Wi-Fi Kit, RoHS
<b>Power Cord</b>	785-PWRD	Power Cord, Standards (USA/EUR/CH), 1.8m, RoHS
<b>Power Adapter</b>	671-106013-000G	60W: 12VDC/5A, DC Cord 5.5*2.5mm, Pitch 5mm, LV6, RoHS
	671-112005-100G	120W: 24VDC/5A, DC Cord 5.5*2.5mm, Pitch 5mm, LV6, RoHS
<b>Panel Mount Kit</b>	761-KS0701-000G	KSM070-AL / KSM101-AL / KSM121-AL Panel Mount Kit RoHS
	761-P15002-000G	Panel Mount Kit for PMKS150 RoHS
	761-P19003-000G	KSM170-AL / KSM190-AL Panel Mount Kit RoHS
	TBD	KSM185 Panel Mount Kit RoHS
	761-KS2150-000G	KSM215-AL Panel Mount Kit RoHS
<b>VESA Mount</b>	761-TPC000-000G	ACCESSORY WALL MOUNT KITS

785-XXX is a group number instead of a unique part number. Please contact your regional sales representative if you need more information.

► **Matrix List**

		Panel Module								
		PMKS070	PMKS101	PMKS121	PMKS150	PMKS156	PMKS170	PMKS185	PMKS190	PMKS215
<b>Box Module</b>	BMAL	V	V	V	V	V	V	V	V	V
	BMSD				V	V	V	V	V	V
	BMKH				V	V	V	V	V	V

► **Packing List**

- 1 Single box
- 1 3 pin Terminal Block Connector
- 1 2 pin Terminal Block Connector
- 2 Mini PCIe screw
- 4 SATA screw

# Images



## Ordering Information

<a href="#">KSM070-AL</a>	7", 500nit brightness, 16:9 aspect ratio, 800 x 480 resolution, 40,000 hours backlight lifetime
<a href="#">KSM101-AL</a>	10.1", 350nit brightness, 16:10 aspect ratio, 1280 x 800 resolution, 25,000 hours backlight lifetime
<a href="#">KSM121-AL</a>	12.1", 500nit brightness, 4:3 aspect ratio, 1024 x 768 resolution, 30,000 hours backlight lifetime
<a href="#">KSM150-AL</a>	15", 300nit brightness, 4:3 aspect ratio, 1024 x 768 resolution, 70,000 hours backlight lifetime
<a href="#">KSM156-AL</a>	15.6", 400nit brightness, 16:9 aspect ratio, 1366 x 768 resolution, 50,000 hours backlight lifetime
<a href="#">KSM170-AL</a>	17", 350nit brightness, 5:4 aspect ratio, 1280 x 1024 resolution, 30,000 hours backlight lifetime
<a href="#">KSM185-AL</a>	18.5", 450nit brightness, 16:9 aspect ratio, 1366 x 768 resolution, 50,000 hours backlight lifetime
<a href="#">KSM190-AL</a>	19", 350nit brightness, 5:4 aspect ratio, 1280 x 1024 resolution, 70,000 hours backlight lifetime
<a href="#">KSM215-AL</a>	21.5", 300nit brightness, 16:9 aspect ratio, 1920 x 1080 resolution, 50,000 hours backlight lifetime

## Assured Systems

Assured Systems is a leading technology company with over 1,500 regular clients in 80 countries, deploying over 85,000 systems to a diverse customer base in 12 years of business. We offer high-quality and innovative rugged computing, display, networking and data collection solutions to the embedded, industrial, and digital-out-of-home market sectors.

### US

[sales@assured-systems.com](mailto:sales@assured-systems.com)

Sales: +1 347 719 4508  
Support: +1 347 719 4508

1309 Coffeen Ave  
Ste 1200  
Sheridan  
WY 82801  
USA

### EMEA

[sales@assured-systems.com](mailto:sales@assured-systems.com)

Sales: +44 (0)1785 879 050  
Support: +44 (0)1785 879 050

Unit A5 Douglas Park  
Stone Business Park  
Stone  
ST15 0YJ  
United Kingdom

VAT Number: 120 9546 28  
Business Registration Number: 07699660