

1050524-1 ✓ ACTIVE

AMP SMA

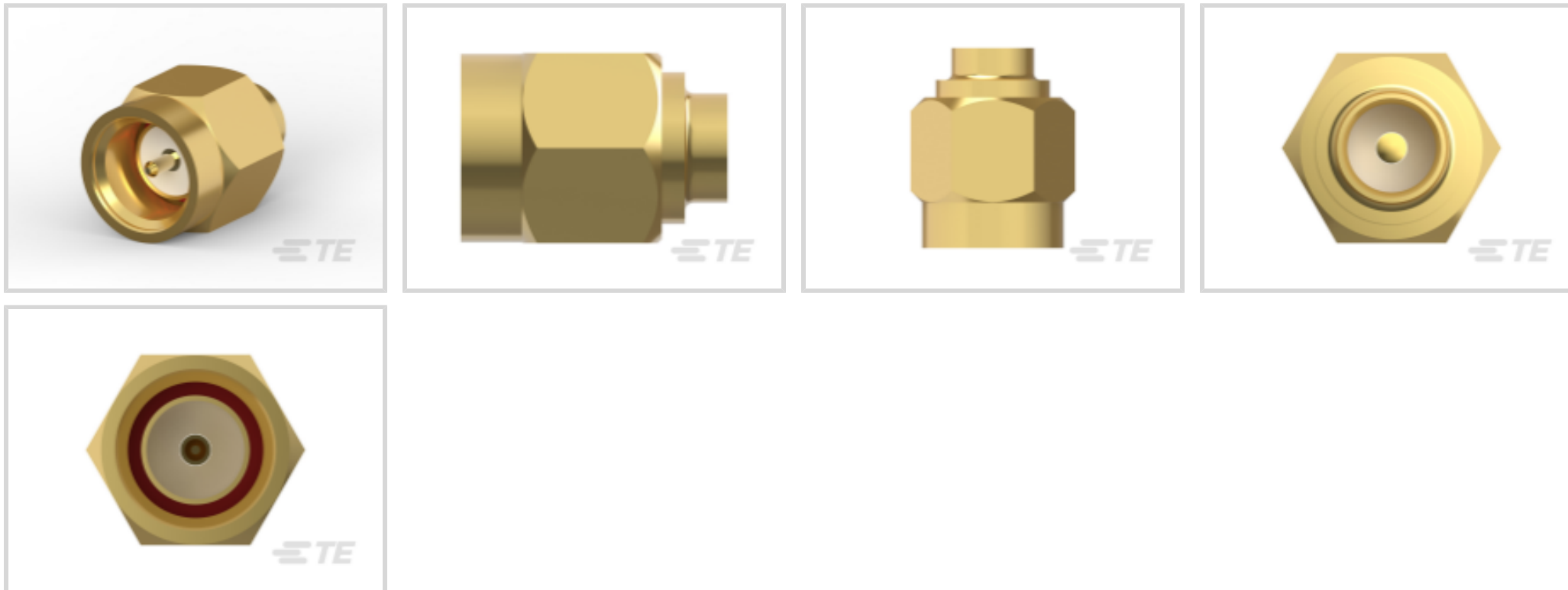
TE Internal #: 1050524-1

SMA RF Interface, Plug, 50 Ω , RG 402 Semi-Rigid, Threaded, 18 GHz Operating Frequency, Cable-to-Cable, 1 Position, Sealable, Wire & Cable, AMP SMA

[View on TE.com >](#)



Connectors > RF Connectors > Coax Connectors



RF Interface: **SMA**

RF Connector Style: **Plug**

RF Connector Mated Outer Diameter (Approximate): **6.35 mm [.25 in]**

Impedance: **50 Ω**

Compatible With RF Cable Type: **RG 402 Semi-Rigid**

Features

Product Type Features

| | |
|-----------------------------------|--------------------|
| Connector Product Type | Connector Assembly |
| Connector Seal Type | Gasket |
| RF Interface | SMA |
| RF Connector Style | Plug |
| Compatible With RF Cable Type | RG 402 Semi-Rigid |
| Connector System | Cable-to-Cable |
| Sealable | Yes |
| Connector & Contact Terminates To | Wire & Cable |

Configuration Features

| | |
|----------------------------|---|
| Number of Positions | 1 |
| Number of Coaxial Contacts | 1 |

Electrical Characteristics

| | |
|-----------|-------------|
| Impedance | 50 Ω |
|-----------|-------------|

Body Features



| | |
|-----------------------------|-----------------|
| Cable Connector Orientation | Straight |
| Body Material | Stainless Steel |
| Body Plating Material | Gold |

Contact Features

| | |
|---|------------------|
| RF Connector Center Contact Underplating Material | Copper, Nickel |
| RF Connector Center Contact Plating Material | Gold |
| RF Connector Center Contact Material | Beryllium Copper |

Termination Features

| | |
|------------------------------------|--------|
| Termination Method to Wire & Cable | Solder |
|------------------------------------|--------|

Mechanical Attachment

| | |
|---------------------------------|----------------------------|
| RF Connector Coupling Mechanism | Threaded |
| Connector Mounting Type | Cable Mount (Free-Hanging) |
| RF Contact Captivation Method | Mechanical |
| Detent | Without |

Dimensions

| | |
|---|------------------|
| Product Length | 11.18 mm[.44 in] |
| RF Connector Mated Outer Diameter (Approximate) | 6.35 mm[.25 in] |

Usage Conditions

| | |
|-----------------------------|----------------------------|
| Operating Temperature Range | -65 – 125 °C[-85 – 257 °F] |
|-----------------------------|----------------------------|

Operation/Application

| | |
|---------------------|--------|
| Operating Frequency | 18 GHz |
|---------------------|--------|

Packaging Features

| | |
|------------------|--------|
| Packaging Method | Carton |
|------------------|--------|

Other

| | |
|-------------------------------|-----------------|
| Coupling Nut Plating Material | Gold |
| Coupling Nut Base Material | Stainless Steel |
| Gasket Material | Silicone Rubber |
| Dielectric Material | PTFE |

Product Compliance

[For compliance documentation, visit the product page on TE.com>](#)



| | |
|---|--|
| EU RoHS Directive 2011/65/EU | Compliant with Exemptions |
| EU ELV Directive 2000/53/EC | Compliant with Exemptions |
| China RoHS 2 Directive MIIT Order No 32, 2016 | Restricted Materials Above Threshold |
| EU REACH Regulation (EC) No. 1907/2006 | <p>Current ECHA Candidate List: JAN 2023 (233)</p> <p>Candidate List Declared Against: JAN 2023 (233)</p> <p>SVHC > Threshold:</p> <p>Pb (3.7% in Component Part)</p> <p>Article Safe Usage Statements: Do not eat, drink or smoke when using this product. Wash thoroughly after handling. Recycle if possible and dispose of the article by following all applicable governmental regulations relevant to your geographic location.</p> |
| Halogen Content | BFR/CFR/PVC Free, but Br/Cl >900 ppm in other sources. |
| Solder Process Capability | Not applicable for solder process capability |

Product Compliance Disclaimer

This information is provided based on reasonable inquiry of our suppliers and represents our current actual knowledge based on the information they provided. This information is subject to change. The part numbers that TE has identified as EU RoHS compliant have a maximum concentration of 0.1% by weight in homogenous materials for lead, hexavalent chromium, mercury, PBB, PBDE, DBP, BBP, DEHP, DIBP, and 0.01% for cadmium, or qualify for an exemption to these limits as defined in the Annexes of Directive 2011/65/EU (RoHS2). Finished electrical and electronic equipment products will be CE marked as required by Directive 2011/65/EU. Components may not be CE marked. Additionally, the part numbers that TE has identified as EU ELV compliant have a maximum concentration of 0.1% by weight in homogenous materials for lead, hexavalent chromium, and mercury, and 0.01% for cadmium, or qualify for an exemption to these limits as defined in the Annexes of Directive 2000/53/EC (ELV). Regarding the REACH Regulation, the information TE provides on SVHC in articles for this part number is based on the latest European Chemicals Agency (ECHA) 'Guidance on requirements for substances in articles' posted at this URL: <https://echa.europa.eu/guidance-documents/guidance-on-reach>

Compatible Parts

| | | | |
|---|---|---|---|
|  <p>TE Part # 1052566-1 2052 1618 02,SMA FM JACK RECPT</p> |  <p>TE Part # 1050547-1 2001 5032 00</p> |  <p>TE Part # 1050548-1 2001 5032 02</p> |  <p>TE Part # 6274096-1 JACK ASSEMBLY, ACTION PIN, SMA</p> |
|  <p>TE Part # 1052422-1 2052 0000 02,SMA FM JACK RECPT</p> |  <p>TE Part # 1053354-1 2062 0000 00,SMA PCB VERT JACK</p> |  <p>TE Part # 1050859-1 2002 5016 00</p> |  <p>TE Part # 1052098-1 2037 5100 02</p> |




TE Part # 1052552-1
2052 1352 02,SMA FM JACK RECPT



TE Part # 1053635-1
2081 0000 02



TE Part # 2016682-2
RF CA,UMCC1 TO SMA JACK,1.13MM, L100MM



TE Part # 2016682-4
RF CA,UMCC1 TO SMA JACK,1.13MM, L200MM



TE Part # 2016694-2
RF CA,UMCC4 TO SMA JACK,1.13MM, L100MM



TE Part # 2081570-1
2.92MM JACK 2 HOLE FLANGE RECEPTACLE



TE Part # 2081570-2
2.92MM JACK 2 HOLE FLANGE RECEPTACLE



TE Part # 1050525-1
2001 5003 02,SMA CABLE PLUG RECEPTACLE



TE Part # 2081005-1
ASSY. SMA JACK PCB EDGE MOUNT



TE Part # 1054869-1
2084 0000 02




TE Part # 1052689-1
2052 3502 02,SMA JACK RECPT



TE Part # 1052902-1
2052 5674 02


Also in the Series | AMP SMA




Battery Holders(1)




Between Series Adapters(1)



Coax Connectors(296)




In-Series Adapters(11)



Rack & Panel Ferrules & Inserts(1)



RF Cable Assemblies(2)



RF Connector Hardware(2)



RF Connector Launchers(8)

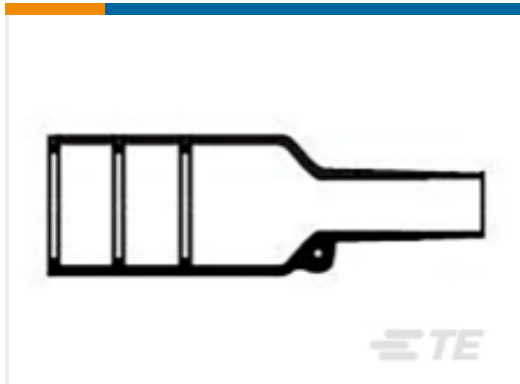


RF Connector Shrouds(3)



RF Terminators(1)

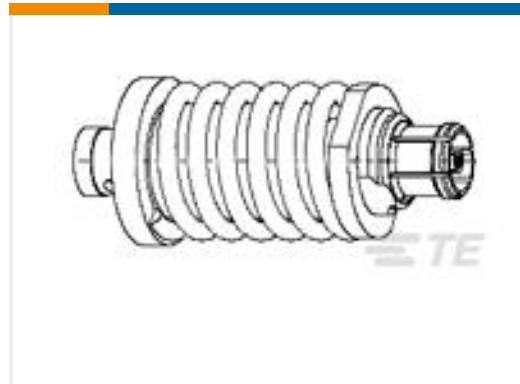
Customers Also Bought



TE Part #879222-000
Bulbous Heat Shrink Boots: Lipped, Straight



TE Part #1-6609104-7
PEOS0SS6B=C1165



TE Part #1996771-1
SMPM STR CBL JACK



TE Part #7-1393117-9
KUP-14A15-24=KU



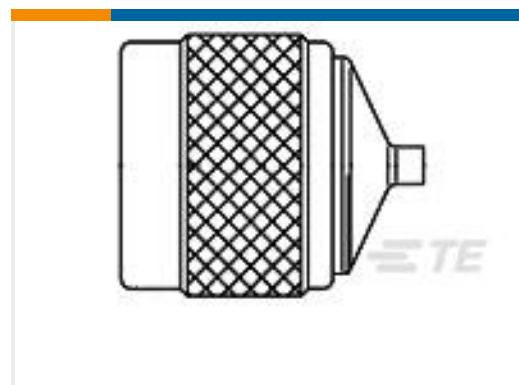
TE Part #2302339-1
NanoRF SKT CONTACT, DAUGHTER CARD



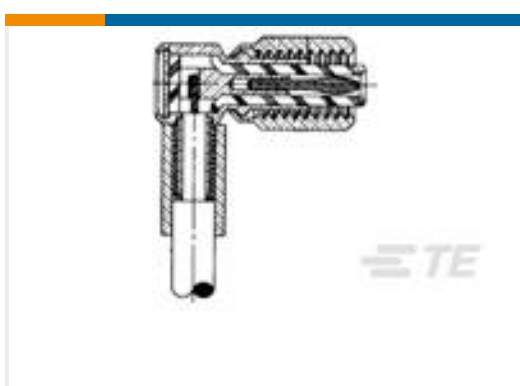
TE Part #2302345-1
NanoRF PIN CONTACT, BACKPLANE



TE Part #1-640250-0
10P SL156 HSG W/LCK RAMP NATL



TE Part #1046234-1
SCD,1250 1119 00,N



TE Part #1495009-1
142-0002-0001

Documents

Product Drawings

[2001 5003 00,SMA CABLE PLUG](#)

English

CAD Files

[3D PDF](#)

3D

Customer View Model

[ENG_CVM_CVM_1050524-1_B_c-1050524-1-b.2d_dxf.zip](#)



English

Customer View Model

[ENG_CVM_CVM_1050524-1_B_c-1050524-1-b.3d_igs.zip](#)

English

Customer View Model

[ENG_CVM_CVM_1050524-1_B_c-1050524-1-b.3d_stp.zip](#)

English

By downloading the CAD file I accept and agree to the [Terms and Conditions](#) of use.

Datasheets & Catalog Pages

SMA Connectors

English

Instruction Sheets

Instruction Sheet (U.S.)

English

[OSM Straight Cable Plug Direct Solder Attachment 1311057-1, 1050524-1, 1050525-1, 1313537-1, 1044533-1, 1327520-1, 1313725-1, and 1222331-1](#)

English