

COMe-mAL10

Doc. User Guide, Rev. 1.5

Doc. ID: 1061-1952

This page has been intentionally left blank

 COME-MAL10 – USER GUIDE

Disclaimer

Kontron would like to point out that the information contained in this user guide may be subject to alteration, particularly as a result of the constant upgrading of Kontron products. This document does not entail any guarantee on the part of Kontron with respect to technical processes described in the user guide or any product characteristics set out in the user guide. Kontron assumes no responsibility or liability for the use of the described product(s), conveys no license or title under any patent, copyright or mask work rights to these products and makes no representations or warranties that these products are free from patent, copyright or mask work right infringement unless otherwise specified. Applications that are described in this user guide are for illustration purposes only. Kontron makes no representation or warranty that such application will be suitable for the specified use without further testing or modification. Kontron expressly informs the user that this user guide only contains a general description of processes and instructions which may not be applicable in every individual case. In cases of doubt, please contact Kontron.

This user guide is protected by copyright. All rights are reserved by Kontron. No part of this document may be reproduced, transmitted, transcribed, stored in a retrieval system, or translated into any language or computer language, in any form or by any means (electronic, mechanical, photocopying, recording, or otherwise), without the express written permission of Kontron. Kontron points out that the information contained in this user guide is constantly being updated in line with the technical alterations and improvements made by Kontron to the products and thus this user guide only reflects the technical status of the products by Kontron at the time of publishing.

Brand and product names are trademarks or registered trademarks of their respective owners.

©2018 by Kontron S&T AG

Kontron S&T AG

Lise-Meitner-Str. 3-5
86156 Augsburg
Germany
www.kontron.com

Intended Use

THIS DEVICE AND ASSOCIATED SOFTWARE ARE NOT DESIGNED, MANUFACTURED OR INTENDED FOR USE OR RESALE FOR THE OPERATION OF NUCLEAR FACILITIES, THE NAVIGATION, CONTROL OR COMMUNICATION SYSTEMS FOR AIRCRAFT OR OTHER TRANSPORTATION, AIR TRAFFIC CONTROL, LIFE SUPPORT OR LIFE SUSTAINING APPLICATIONS, WEAPONS SYSTEMS, OR ANY OTHER APPLICATION IN A HAZARDOUS ENVIRONMENT, OR REQUIRING FAIL-SAFE PERFORMANCE, OR IN WHICH THE FAILURE OF PRODUCTS COULD LEAD DIRECTLY TO DEATH, PERSONAL INJURY, OR SEVERE PHYSICAL OR ENVIRONMENTAL DAMAGE (COLLECTIVELY, "HIGH RISK APPLICATIONS").

You understand and agree that your use of Kontron devices as a component in High Risk Applications is entirely at your risk. To minimize the risks associated with your products and applications, you should provide adequate design and operating safeguards. You are solely responsible for compliance with all legal, regulatory, safety, and security related requirements concerning your products. You are responsible to ensure that your systems (and any Kontron hardware or software components incorporated in your systems) meet all applicable requirements. Unless otherwise stated in the product documentation, the Kontron device is not provided with error-tolerance capabilities and cannot therefore be deemed as being engineered, manufactured or setup to be compliant for implementation or for resale as device in High Risk Applications. All application and safety related information in this document (including application descriptions, suggested safety measures, suggested Kontron products, and other materials) is provided for reference only.

Revision History

Revision	Brief Description of Changes	Date of Issue	Author/Editor
1.0	Initial version	2017-May-29	CW
1.1	Updated BIOS setup options in chapters 3.3.2 Using an External SPI Flash, 6.5.1: Updating Procedure. Corrected eDP maximum resolution, and pin-B 101 comments, company name to Kontron S&T AG, and port information for Kontron's security solution value. Removed NMI, SMI and SCI functions in Table 18. Added MTBF information in chapter 2.7 Standards and Certifications, and chapter 3.7: GPIO	2018-Jan-31	CW
1.2	Corrected product description 34008-0832-11-4/34008-0800-11-4. Removed part number 34099-0000-99-2. Included heatsink 34099-0000-99-0/34099-0000-99-1 and metal heat slug dimensions/info. Ch.2.5.1 and 2.8.3	2018-May-23	CW
1.3	Updated SLC information in Chapters 2.3.13 and 3.1.	2019-Apr-01	CW
1.4	Changed title to Intended Use, updated PCIe, audio and Digital display Interface information	2019-Aug-23	CW
1.5	N3350 changed to N3350E and N4200 changed to N4200E, memory channel information changed to 1 channel, PCI express lanes redefined and eMMC 5.1 NAND Flash included.	2020-Mar-13	CW

Terms and Conditions

Kontron warrants products in accordance with defined regional warranty periods. For more information about warranty compliance and conformity, and the warranty period in your region, visit <http://www.kontron.com/terms-and-conditions>.

Kontron sells products worldwide and declares regional General Terms & Conditions of Sale, and Purchase Order Terms & Conditions. Visit <http://www.kontron.com/terms-and-conditions>.

For contact information, refer to the corporate offices contact information on the last page of this user guide or visit our website [CONTACT US](#).

Customer Support

Find Kontron contacts by visiting: <http://www.kontron.com/support>.

Customer Service

As a trusted technology innovator and global solutions provider, Kontron extends its embedded market strengths into a services portfolio allowing companies to break the barriers of traditional product lifecycles. Proven product expertise coupled with collaborative and highly-experienced support enables Kontron to provide exceptional peace of mind to build and maintain successful products.

For more details on Kontron's service offerings such as: enhanced repair services, extended warranty, Kontron training academy, and more visit <http://www.kontron.com/support-and-services/services>.

Customer Comments

If you have any difficulties using this user guide, discover an error, or just want to provide some feedback, contact [Kontron support](#). Detail any errors you find. We will correct the errors or problems as soon as possible and post the revised user guide on our website.

Symbols

The following symbols may be used in this user guide.

⚠ DANGER

DANGER indicates a hazardous situation which, if not avoided, will result in death or serious injury.

⚠ WARNING

WARNING indicates a hazardous situation which, if not avoided, could result in death or serious injury.

⚠ CAUTION

CAUTION indicates a hazardous situation which, if not avoided, may result in minor or moderate injury.

NOTICE

NOTICE indicates a property damage message.



Electric Shock!

This symbol and title warn of hazards due to electrical shocks (> 60 V) when touching products or parts of them. Failure to observe the precautions indicated and/or prescribed by the law may endanger your life/health and/or result in damage to your material.



ESD Sensitive Device!

This symbol and title inform that the electronic boards and their components are sensitive to static electricity. Care must therefore be taken during all handling operations and inspections of this product in order to ensure product integrity at all times.



HOT Surface!

Do NOT touch! Allow to cool before servicing.



Laser!

This symbol inform of the risk of exposure to laser beam from an electrical device. Eye protection per manufacturer notice shall review before servicing.



This symbol indicates general information about the product and the user guide.

This symbol also indicates detail information about the specific product configuration.



This symbol precedes helpful hints and tips for daily use.

For Your Safety

Your new Kontron product was developed and tested carefully to provide all features necessary to ensure its compliance with electrical safety requirements. It was also designed for a long fault-free life. However, the life expectancy of your product can be drastically reduced by improper treatment during unpacking and installation. Therefore, in the interest of your own safety and of the correct operation of your new Kontron product, you are requested to conform with the following guidelines.

High Voltage Safety Instructions

As a precaution and in case of danger, the power connector must be easily accessible. The power connector is the product's main disconnect device.

⚠ CAUTION

Warning

All operations on this product must be carried out by sufficiently skilled personnel only.

⚠ CAUTION



Electric Shock!

Before installing a non hot-swappable Kontron product into a system always ensure that your mains power is switched off. This also applies to the installation of piggybacks. Serious electrical shock hazards can exist during all installation, repair, and maintenance operations on this product. Therefore, always unplug the power cable and any other cables which provide external voltages before performing any work on this product.

Earth ground connection to vehicle's chassis or a central grounding point shall remain connected. The earth ground cable shall be the last cable to be disconnected or the first cable to be connected when performing installation or removal procedures on this product.

Special Handling and Unpacking Instruction

NOTICE



ESD Sensitive Device!

Electronic boards and their components are sensitive to static electricity. Therefore, care must be taken during all handling operations and inspections of this product, in order to ensure product integrity at all times.

Do not handle this product out of its protective enclosure while it is not used for operational purposes unless it is otherwise protected.

Whenever possible, unpack or pack this product only at EOS/ESD safe work stations. Where a safe work station is not guaranteed, it is important for the user to be electrically discharged before touching the product with his/her hands or tools. This is most easily done by touching a metal part of your system housing.

It is particularly important to observe standard anti-static precautions when changing piggybacks, ROM devices, jumper settings etc. If the product contains batteries for RTC or memory backup, ensure that the product is not placed on conductive surfaces, including anti-static plastics or sponges. They can cause short circuits and damage the batteries or conductive circuits on the product.

Lithium Battery Precautions

If your product is equipped with a lithium battery, take the following precautions when replacing the battery.

CAUTION

Danger of explosion if the battery is replaced incorrectly.

- ▶ Replace only with same or equivalent battery type recommended by the manufacturer.
- ▶ Dispose of used batteries according to the manufacturer's instructions.

General Instructions on Usage

In order to maintain Kontron's product warranty, this product must not be altered or modified in any way. Changes or modifications to the product, that are not explicitly approved by Kontron and described in this user guide or received from Kontron Support as a special handling instruction, will void your warranty.

This product should only be installed in or connected to systems that fulfill all necessary technical and specific environmental requirements. This also applies to the operational temperature range of the specific board version that must not be exceeded. If batteries are present, their temperature restrictions must be taken into account.

In performing all necessary installation and application operations, only follow the instructions supplied by the present user guide.

Keep all the original packaging material for future storage or warranty shipments. If it is necessary to store or ship the product then re-pack it in the same manner as it was delivered.

Special care is necessary when handling or unpacking the product. See Special Handling and Unpacking Instruction.

Quality and Environmental Management

Kontron aims to deliver reliable high-end products designed and built for quality, and aims to complying with environmental laws, regulations, and other environmentally oriented requirements. For more information regarding Kontron's quality and environmental responsibilities, visit <http://www.kontron.com/about-kontron/corporate-responsibility/quality-management>.

Disposal and Recycling

Kontron's products are manufactured to satisfy environmental protection requirements where possible. Many of the components used are capable of being recycled. Final disposal of this product after its service life must be accomplished in accordance with applicable country, state, or local laws or regulations.

WEEE Compliance

The Waste Electrical and Electronic Equipment (WEEE) Directive aims to:

- ▶ Reduce waste arising from electrical and electronic equipment (EEE)
- ▶ Make producers of EEE responsible for the environmental impact of their products, especially when the product become waste
- ▶ Encourage separate collection and subsequent treatment, reuse, recovery, recycling and sound environmental disposal of EEE
- ▶ Improve the environmental performance of all those involved during the lifecycle of EEE



Environmental protection is a high priority with Kontron.

Kontron follows the WEEE directive

You are encouraged to return our products for proper disposal.

General Instructions on Usage

In order to maintain Kontron's product warranty, this product must not be altered or modified in any way. Changes or modifications to the product, that are not explicitly approved by Kontron and described in this user guide or received from Kontron's Technical Support as a special handling instruction, will void your warranty.

This product should only be installed in or connected to systems that fulfill all necessary technical and specific environmental requirements. This also applies to the operational temperature range of the specific board version, that must not be exceeded. If batteries are present, their temperature restrictions must be taken into account.

In performing all necessary installation and application operations, only follow the instructions supplied by the present user guide.

Keep all the original packaging material for future storage or warranty shipments. If it is necessary to store or ship the product then re-pack the product in the same manner as it was delivered.

Special care is necessary when handling or unpacking the product. See Special Handling and Unpacking Instruction.

Environmental Protection Statement

This product has been manufactured to satisfy environmental protection requirements where possible. Many of the components used (structural parts, printed circuit boards, connectors, batteries, etc.) are capable of being recycled.

Final disposition of this product after its service life must be accomplished in accordance with applicable country, state, or local laws or regulations.



Environmental protection is a high priority with Kontron.

Kontron follows the WEEE directive

You are encouraged to return our products for proper disposal.

The Waste Electrical and Electronic Equipment (WEEE) Directive aims to:

- ▶ Reduce waste arising from electrical and electronic equipment (EEE)
- ▶ Make producers of EEE responsible for the environmental impact of their products, especially when the product become waste
- ▶ Encourage separate collection and subsequent treatment, reuse, recovery, recycling and sound environmental disposal of EEE
- ▶ Improve the environmental performance of all those involved during the lifecycle of EEE

Table of Contents

Symbols.....	6
Table of Contents.....	10
List of Tables	12
List of Figures.....	12
1/ Introduction	13
1.1. Product Description.....	13
1.2. Product Naming Clarification	13
1.3. COM Express® Documentation.....	13
1.4. COM Express® Functionality	14
1.5. COM Express® Benefits.....	14
2/ Product Specification	15
2.1. Module Variants	15
2.1.1. Commercial Grade Modules (0°C to +60°C).....	15
2.1.2. Industrial Temperature Grade Modules (E2, -40°C to +85°C)	15
2.2. Accessories.....	16
2.3. Functional Specifications.....	17
2.3.1. Block Diagram COMe-mAL10	17
2.3.2. Processors.....	18
2.3.3. Platform Controller Hub (PCH)	19
2.3.4. System Memory	19
2.3.5. Digital Display Interfaces (DP/HDMI/DVI).....	19
2.3.6. LVDS.....	20
2.3.7. Audio.....	20
2.3.8. PCI Express (PCIe) Lanes [0-3].....	20
2.3.9. USB.....	21
2.3.10. SATA.....	21
2.3.11. Ethernet (LAN)(option).....	22
2.3.12. COMe High-speed Serial Interfaces Overview	22
2.3.13. Storage Features.....	23
2.3.14. BIOS/Software Features.....	23
2.3.15. COMe Features	23
2.3.16. Kontron Features.....	23
2.4. Electrical Specification	24
2.4.1. Power Supply Voltage Specification	24
2.4.2. Power Management	24
2.4.3. Power Supply Control Settings	25
2.4.4. Power Supply Modes.....	25
2.5. Thermal Management	27
2.5.1. Heatspreader Plate (HSP) Assembly and Metal Heat Slug.....	27
2.5.2. Active/Passive Cooling Solutions.....	27
2.5.3. Operating with Kontron Heatspreader Plate (HSP) Assembly.....	27
2.5.4. Operating without Kontron Heatspreader Plate (HSP) Assembly.....	27
2.5.5. On-board Fan Connector	28
2.6. Environmental Specification.....	28
2.6.1. Humidity.....	28
2.7. Standards and Certifications	29
2.8. Mechanical Specification.....	30

2.8.1. Module Dimensions	30
2.8.2. Module Height	30
2.8.3. Heatspreader Dimensions	30
3/ Features and Interfaces	32
3.1. eMMC Flash Memory	32
3.2. LPC	32
3.3. Serial Peripheral Interface (SPI)	32
3.3.1. SPI boot	33
3.3.2. Using an External SPI Flash	33
3.3.3. External SPI Flash on Modules with Intel® Management Engine	34
3.4. Fast I2C	34
3.5. UART	34
3.6. Dual Staged Watchdog Timer (WTD)	34
3.6.1. Watchdog Timer Signal	35
3.7. GPIO	35
3.8. Real Time Clock (RTC)	35
3.9. Trusted Platform Module (TPM 2.0)	35
3.10. Kontron Security Solution	36
3.11. SpeedStep™ Technology	36
4/ System Resources	37
4.1. Interrupt Request (IRQ) Lines	37
4.2. Memory Area	37
4.3. I/O Address Map	38
4.4. Peripheral Component Interconnect (PCI) Devices	39
4.5. I2C Bus	39
4.6. System Management (SM) Bus	40
5/ COMe Interface Connector	41
5.1. X1A Signals	41
5.1.1. Connector X1A Row A 1 – A110	43
5.1.2. Connector X1A Row B1 – B110	47
6/ uEFI BIOS	51
6.1. Starting the uEFI BIOS	51
6.2. Setup Menus	52
6.2.1. Main Setup Menu	53
6.2.2. Advanced Setup Menu	54
6.2.3. Chipset Setup Menu	61
6.2.4. Security Setup Menu	71
6.2.5. Boot Setup Menu	73
6.2.6. Save and Exit Setup Menu	74
6.3. The uEFI Shell	75
6.3.1. Basic Operation of the uEFI Shell	75
6.4. uEFI Shell Scripting	76
6.4.1. Startup Scripting	76
6.4.2. Create a Startup Script	76
6.4.3. Example of Startup Scripts	76
6.5. Firmware Update	76
6.5.1. Updating Procedure	76
About Kontron	79

List of Tables

Table 1: Type 10 and COMe-mAL10 Functionality	14
Table 2: Product Number for Commercial Grade Modules (0°C to +60°C operating).....	15
Table 3: Product Number for Industrial Grade Modules (-40°C to +85°C operating).....	15
Table 4: Product Specific Accessories.....	16
Table 5: COMe Type 10 Accessories	16
Table 6: General COMe Accessories.....	16
Table 7: Specification of the COMe-mAL10 Processor Variants	18
Table 8: ATX Mode Settings.....	26
Table 9: Single Supply Mode Settings	26
Table 10: Heatspreader Temperature Specifications.....	27
Table 11: 3-Pin Fan Connector Pin Assignment	28
Table 12: Electrical Characteristics of the Fan Connector	28
Table 13: Temperature Grade Specifications	28
Table 14: Humidity Specification	28
Table 15: Supported BIOS Features	32
Table 16: SPI Boot Pin Configuration	33
Table 17: Supported SPI Boot Flash Types for 8-SOIC Package.....	33
Table 18: Dual Staged Watchdog Timer- Time-Out Events.....	35
Table 19: Interrupt Requests.....	37
Table 20: Designated Memory Location	37
Table 21: Designated I/O Port Address	38
Table 22: I2C Bus Port Address.....	39
Table 23: SMBus Address.....	40
Table 24: General Signal Description.....	42
Table 25: Connector X1A Row A Pin Assignment (A1-A110).....	43
Table 26: Connector X1A Row B Pin Assignment (B1-B110).....	47
Table 27: Navigation Hot Keys Available in the Legend Bar.....	51
Table 28: Main Setup Menu Sub-screens and Functions	53
Table 29: Advanced Setup menu Sub-screens and Functions.....	54
Table 30: Chipset Set > North Bridge Sub-screens and Function	61
Table 31: Chipset Set> South Bridge Sub-screens and Functions.....	62
Table 32: Chipset Set> Uncore Configuration Sub-screens and Functions	64
Table 33: Chipset>South Cluster Configuration Sub-screens and Functions	66
Table 34: Security Setup Menu Sub-screens and Functions.....	71
Table 35: Boot Setup Menu Sub-screens and Functions.....	73
Table 36: Save and Exit Setup Menu Sub-screens and Functions.....	74
Table 37: List of Acronyms	78

List of Figures

Figure 1: Block Diagram COMe-mAL10.....	17
Figure 2: Module Dimensions.....	30
Figure 3: Heatspreader and Metal Heat Slug Dimensions.....	31
Figure 4: X1A COMe Interface Connector	41
Figure 5: Main Setup Menu Initial Screen.....	53
Figure 6: Advanced Setup Menu Initial Screen	54
Figure 7: Chipset > North Bridge Menu Initial Screen.....	61
Figure 8: Chipset>South Bridge Menu Initial Screen.....	62
Figure 9: Chipset>Uncore Configuration Menu Initial Screens.....	63
Figure 10: Chipset>South Cluster Configuration Menu Initial Screen	66
Figure 11: Security Setup Menu Initial Screen.....	71
Figure 12: Boot Setup Menu Initial Screen.....	73
Figure 13: Save and Exit Setup Menu Initial Screen.....	74

1/ Introduction

1.1. Product Description

The COMe-mAL10 is small form factor COM Express® Type 10 Computer On-Module based on the Intel® Apollo Lake® series of processors Atom™, Pentium® and Celeron®, with an integrated chipset. The COMe-mAL10 combines increased efficiency and performance with TDP as low as 6 W and no more than 12 W, with Intel's® extensive HD Graphics capabilities.

The main COMe-mAL10 features are:

- ▶ Intel® Apollo Lake® series of processors with integrated chipset
- ▶ Small form factor COM Express® Mini Type 10 pinout, compatible with the PICMG COM.0 Rev 2.1 specification
- ▶ Up to 8 GByte DDR3L memory down (non-ECC for commercial variants /ECC for Industrial variants)
- ▶ High-speed connectivity 4x PCI Express, 1x 1 Gb Ethernet, 2x USB 3.0 (incl. USB 2.0) + 6x USB 2.0, 2x SATA Gen.3
- ▶ Support for both commercial and Industrial temperature grade environments

1.2. Product Naming Clarification

COM Express® defines a Computer-on-Module, or COM, with all the components necessary for a bootable host computer, packaged as a super component. The product name for Kontron COM Express® Computer-On-Modules consists of:

- ▶ Industry standard short form
 - ▶ COMe-
- ▶ Module form factor
 - ▶ b=basic (125mm x 95mm)
 - ▶ c=compact (95mm x 95mm)
 - ▶ m=mini (84mm x 55mm)
- ▶ Intel's processor code name
 - ▶ AL = Apollo Lake
- ▶ Pinout type
 - ▶ Type 10
 - ▶ Type 6
- ▶ Available temperature variants
 - ▶ Commercial
 - ▶ Extended (E1)
 - ▶ Industrial (E2)
 - ▶ Screened industrial (E2S)
- ▶ Processor Identifier
 - ▶ Chipset identifier (if chipset assembled)
- ▶ Memory size
 - ▶ Memory module (#G) / eMMC pseudo SLC memory (#S)

1.3. COM Express® Documentation

The COM Express® specification defines the COM Express® module form factor, pinout and signals. For more information about the COM Express® specification, visit the PICMG® website.

1.4. COM Express® Functionality

All Kontron COM Express® mini modules contain one 220-pin connector containing two rows called row A & row B. The COM Express® mini Computer-On-Module (COM) features the following maximum amount of interfaces according to the PCI Industrial Computer Manufacturers Group (PICMG) module pinout type.

Table 1: Type 10 and COMe-mAL10 Functionality

Feature	Type 10	COMe-mAL10
HD Audio	1x	1x
Gbit Ethernet	1x	1x
Serial ATA	2x	2x
Parallel ATA		
PCI		
PCI Express x 1	4x	Up to 4x
PCI Express x16 (PEG)		
USB Client	1x	1x (Port 7 is dual role Client/Host)
USB	2x USB 3.0 8x USB 2.0	2x USB 3.0 (Including USB 2.0) 6x USB 2.0
LVDS (eDP)	Single channel	Single channel LVDS with optional eDP overlay
DP++ (DP/HDMI/DVI)	1x	1x
LPC	1x	1x
External SMB	1x	1x
External I2C	1x	1x
GPIO	8x	8x
SDIO shared w/GPIO	1x optional	1x
UART (2-wire COM)	2x	2x
FAN PWM out	1x	1x
Express Card	2x	2x

1.5. COM Express® Benefits

COM Express® defines a Computer-On-Module, or COM, with all the components necessary for a bootable host computer, packaged as highly integrated computer. All Kontron COM Express® modules are very compact and feature a standardized form factor and a standardized connector layout that carry a specified set of signals. Each COM is based on the COM Express® specification. This standardization allows designers to create a single-system baseboard that can accept present and future COM Express® modules.

The baseboard designer can optimize exactly how each of these functions implements physically. Designers can place connectors precisely where needed for the application, on a baseboard optimally designed to fit a system's packaging.

A single baseboard design can use a range of COM Express® modules with different sizes and pinouts. This flexibility differentiates products at various price and performance points and provides a built-in upgrade path when designing future-proof systems. The modularity of a COM Express® solution also ensures against obsolescence when computer technology evolves. A properly designed COM Express® baseboard can work with several successive generations of COM Express® modules.

A COM Express® baseboard design has many advantages of a customized computer-board design and, additionally, delivers better obsolescence protection, heavily reduced engineering effort, and faster time to market

2/ Product Specification

2.1. Module Variants

The COMe-mAL10 is available in different processor, memory and temperature variants to cover demands in performance, price and power. The following tables list the module variants for the commercial and industrial temperature grade.

2.1.1. Commercial Grade Modules (0°C to +60°C)

Table 2: Product Number for Commercial Grade Modules (0°C to +60°C operating)

Product Number	Product Name	Description
34008-0832-11-4	COMe-mAL10 N4200E 8G/32S	COM Express® mini pin-out type 10 Computer-on-Module with Intel® Pentium® N4200E, 8GB DDR3L memory down, 32GB eMMC pSLC, commercial temperature
34008-0800-11-4	COMe-mAL10 N4200E 8G	COM Express® mini pin-out type 10 Computer-on-Module with Intel® Pentium® N4200E, 8GB DDR3L memory down, commercial temperature
34008-0408-11-2	COMe-mAL10 N3350E 4G/8S	COM Express® mini pin-out type 10 Computer-on-Module with Intel® Celeron® N3350E, 4GB DDR3L memory down, 8GB eMMC pSLC, commercial temperature
34008-0400-11-2	COMe-mAL10 N3350E 4G	COM Express® mini pin-out type 10 Computer-on-Module with Intel® Celeron® N3350E, 4GB DDR3L memory down, commercial temperature

2.1.2. Industrial Temperature Grade Modules (E2, -40°C to +85°C)

Table 3: Product Number for Industrial Grade Modules (-40°C to +85°C operating)

Product Number	Product Name	Description
34009-0832-16-7	COMe-mAL10 E2 E3950 8E/32S	COM Express® mini pin-out type 10 Computer-on-Module with Intel® Atom™ x7 E3950, 8GB DDR3L ECC memory down, 32GB eMMC pSLC, industrial temperature
34009-0800-16-7	COMe-mAL10 E2 E3950 8E	COM Express® mini pin-out type 10 Computer-on-Module with Intel® Atom™ x7 E3950, 8GB DDR3L ECC memory down, industrial temperature
34009-0832-16-5	COMe-mAL10 E2 E3940 8E/32S	COM Express® mini pin-out type 10 Computer-on-Module with Intel® Atom™ x5 E3940, 8GB DDR3L ECC memory down, 32GB eMMC pSLC, industrial temperature
34009-0400-16-5	COMe-mAL10 E2 E3940 4E	COM Express® mini pin-out type 10 Computer-on-Module with Intel® Atom™ x5 E3940, 4GB DDR3L ECC memory down, industrial temperature
34009-0408-13-5	COMe-mAL10 E2 E3930 4E/8S	COM Express® mini pin-out type 10 Computer-on-Module with Intel® Atom™ x5 E3930, 4GB DDR3L ECC memory down, 8GB eMMC pSLC, industrial temperature
34009-0400-13-5	COMe-mAL10 E2 E3930 4E	COM Express® mini pin-out type 10 Computer-on-Module with Intel® Atom™ x5 E3930, 4GB DDR3L ECC memory down, industrial temperature

2.2. Accessories

Accessories are either COMe-mAL10 product specific, Type 10 COMe pinout specific, or general COMe accessories. For more information, contact your local Kontron sales representative or Kontron Inside Sales.

Table 4: Product Specific Accessories

Part Number	Heatspreader	Description
34009-0000-99-0	HSP COMe-mAL10 E2 thread	Heatspreader for COMe-mAL10 commercial and industrial grade, threaded mounting holes
34009-0000-99-1	HSP COMe-mAL10 E2 through	Heatspreader for COMe-mAL10 commercial and industrial grade, through holes
34009-0000-99-2	HSP COMe-mAL10 E2 slim thread	Slimline heatspreader 6.5mm for COMe-mAL10 commercial and industrial grade, threaded mounting holes
34009-0000-99-3	HSP COMe-mAL10 E2 slim through	Slimline heatspreader 6.5mm for COMe-mAL10 commercial and industrial grade, through holes

Table 5: COMe Type 10 Accessories

Part Number	COMe Carrier	Description
34105-0000-00-x	COM Express® Reference Carrier-i Type 10 TNix	nITX carrier for industrial temperature
34101-0000-00-2	COM Express® Eval Carrier Type 10 Gen 2	ATX Carrier with 8 mm COMe connector
Part Number	COMe Adapter / Card	Description
96007-0000-00-8	ADA-Type10-Mezzanine	COMe mini stand-alone carrier or adapter card
96006-0000-00-1	COMe POST T10	POST Code / Debug Card
38019-0000-00-1	ADA-COMe-Height-single	Height Adapter

Table 6: General COMe Accessories

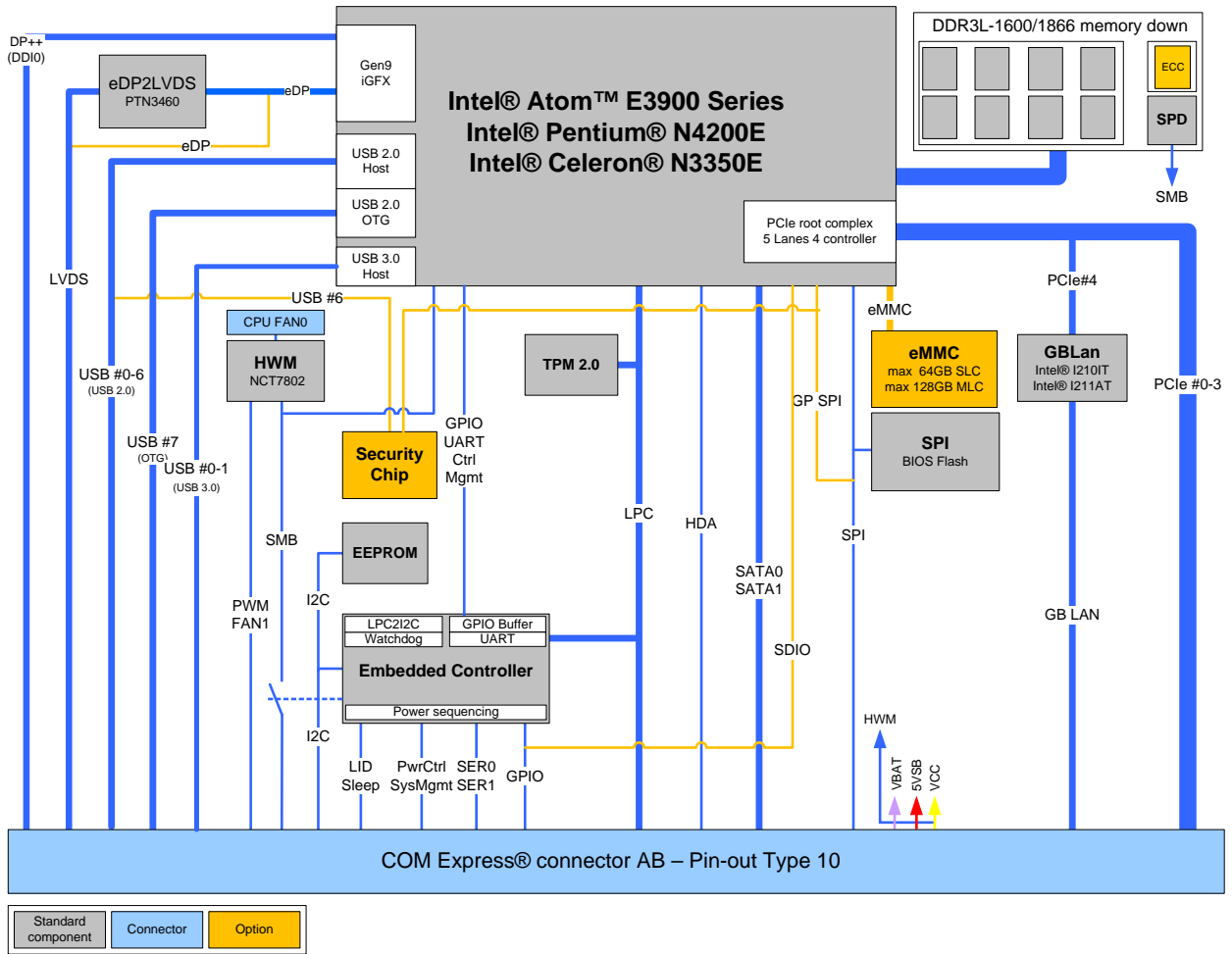
Part Number	Cooling Solutions	Description
34099-0000-99-0	COMe-mini Active Uni cooler	Heatsink, to be mounted on HSP
34099-0000-99-1	COMe-mini Passive Uni cooler	Heatsink, to be mounted on HSP
96079-0000-00-0	KAB-HSP 200 mm	Adapter to connect a standard 3-pin connector fan to the module length 200 mm
96079-0000-00-2	KAB-HSP 40 mm	Adapter to connect a standard 3-pin connector fan to the module length 400 mm
Part Number	Mounting	Description
34017-0000-00-0	COMe mount KIT 5/8 mm 1 set	Mounting Kit for 1 module including screws for 5 mm and 8 mm connectors

2.3. Functional Specifications

2.3.1. Block Diagram COMe-mAL10

The following figure displays the system block diagram applicable to all COMe-mAL10 modules.

Figure 1: Block Diagram COMe-mAL10



2.3.2. Processors

The Intel® Apollo Lake® series of processors use the 14 nm process technology, with 24 mm x 31 mm package size, FCBGA 1296.

In general, the Intel® Apollo Lake® series of processors support the following technologies:

- ▶ Intel® 64 Architecture
- ▶ Idle States
- ▶ Intel® Virtualization Technology (VT-x) and Virtualization Technology for Directed I/O (VT-d)
- ▶ Secure Boot
- ▶ Enhanced Intel Speedstep® Technology
- ▶ Thermal Monitoring Technologies
- ▶ Intel® HD Audio Technology
- ▶ Intel® Identity Protection Technology
- ▶ Intel® AES New Instructions
- ▶ Secure Key

The following table lists the Intel® Apollo Lake processors specifications **compatible** with the COMe-mAL10.

Table 7: Specification of the COMe-mAL10 Processor Variants

Intel®	Atom™	Atom®	Atom™	Pentium®	Celeron®
	x7 E3950	x5 E3940	x5 E3930	N4200E	N3350E
# of Cores	4	4	2	4	2
# of Threads	4	4	2	4	2
Processor Base Frequency	1.6 GHz	1.6 GHz	1.3 GHz	1.1 GHz	1.1 GHz
Burst Frequency	2 GHz	1.8 GHz	1.8 GHz	2.5 GHz	2.4 GHz
Thermal Design Power (TDP)	12 W	9.5 W	6.5 W	6 W	6 W
Memory Types	DDR3L-1600	DDR3L-1600	DDR3L-1600	DDR3L-1866	DDR3L-1866
Max.# Memory Channels	2 ^[1]	2 ^[1]	2 ^[1]	2 ^[1]	2 ^[1]
Max. Memory Size	8 GB	8 GB	8 GB	8 GB	8 GB
Max. Memory Bandwidth	25.60 GB/s	25.60 GB/s	25.60 GB/s	29.86 GB/s	29.86 GB/s
ECC Memory	Supported	Supported	Supported	Not supported	Not supported
Graphics	HD Graphics 505	HD Graphics 500	HD Graphics 500	HD Graphics 505	HD Graphics 500
Max. # PCIe Devices	4	4	4	4	4

^[1] On COMe-mAL10 one memory channel is used

2.3.3. Platform Controller Hub (PCH)

The Intel® Apollo Lake® processor family is a System on Chip (SoC) solution, including an integrated chipset.

The following table lists specific PCH features.

USB	2x USB 3.0 (Including USB 2.0) 6x USB 2.0
VT-d	Supported
SATA RAID	Not supported

2.3.4. System Memory

The system memory supports a single DDR3L memory down configuration with a capacity of up to 8 GB. The maximum data transfer rate is 1866 MT/s for commercial temperature graded variants (non ECC). For industrial variants (ECC), the transfer rate is limited to 1600 MT/s.

The following table lists specific system memory features.

Memory Down	4 GB and 8 GB - DDR3L Non ECC (for commercial temperature grade) ECC (for industrial temperature grade)
Peak Bandwidth	29.86 GB/s (for commercial temperature grade) 25.60 GB/s (for Industrial temperature grade)

2.3.5. Digital Display Interfaces (DP/HDMI/DVI)

The Digital Display Interface (DDIO) supports dual-mode Display Port (DP) 1.2 (++). The dual-mode DP supports the use of a DP to HDMI or DP to DVI-D passive adapter.

The COMe-mAL10 supports the following digital display interfaces (DDIs):

- ▶ 2x DP 1.2 on DDIO
- ▶ 1x eDP 1.4/LVDS

The following table lists the maximum display resolution of the supported DDIO.

Display Interfaces	Maximum Resolution
DP 1.2 (++)	4096 x 2160 @ 60 Hz
HDMI 1.4	3840 x 2160 @ 30 Hz
DVI-D	3840 x 2160 @ 30 Hz
eDP	3840 x 2160 @ 60 Hz



It is recommended to use DP-to-HDMI and DP-to-DVI dongles that are compliant to the VESA DP Dual-Mode Standard only. If adapters are used with FET level shifter for DDC translation, display detection issues may occur



At 4K/UHD resolution, to increase link margin a DP redriver on the carrier is recommended.

2.3.6. LVDS

Single channel LVDS with one pixel per clock and up to 24-bit color is available. The eDP to LVDS bridge is only necessary for LVDS support and can be removed if LVDS signals are optionally overlaid with eDP signals.

The following table lists the basic LVDS features.

LVD Channels	1x
LVDS Bits / Pixel	24-bit color
LVDS Maximum Resolution	Depending on available panels (up to 1920 x 1280)
PWM Backlight Control	Supported
Supported Panel Data	JILI / EDID / DisplayID

2.3.7. Audio

The HD Audio link supports one end audio device.

The following table lists the Audio features.

Type	Intel® High Definition (HD) Audio
# Devices	1 x

2.3.8. PCI Express (PCIe) Lanes [0-3]

The Intel® Apollo Lake® processor supports a maximum of six PCIe lanes however only four PCIe root ports for four PCIe devices are provided.

The COMe-mAL10 supports five PCIe lanes as follows:

- ▶ 4 lanes are used for COMe lanes PCIe[0-3]
- ▶ 1 lane is used for GBEO_MDI#

The five available high-speed PCI Express Gen 2.0 lanes support the PCIe lane configuration options:

- ▶ 4 x1 (default) 3 x1 for COMe lanes PCIe lanes PCIe[0-3] + 1 x1 for onboard LAN
or 4 x1 for COMe lanes PCIe lanes PCIe[0-3] no onboard LAN
- ▶ 2 x1 + 1 x2 / 2 x2 / 1 x4 for COMe lanes PCIe lanes PCIe[0-3] + 1 x1 for onboard LAN

The following table lists the possible PCI Express lane configurations.

COMe Connector	SoC Port	Configuration 1	Configuration 2	Configuration 3	Configuration 4
		4 x1 (default)	2 x1 + 1 x2	2 x2	1 x4
PCIE_0	PCIe #0	x1	x2	x2	x4
PCIE_1	PCIe #1	x1			
PCIE_2	PCIe #2	x1	x1	x2	
PCIE_3	PCIe #3	x1	x1		
GBEO_MDI#	PCIe #4	LAN ^[1]	LAN	LAN	LAN

^[1] In configuration 1, if LAN is implemented only three external PCIe devices can be used at the same time.

The various PCIe lane configurations require different BIOS versions. Depending on the required PCIe lane configuration users may be required to flash a new BIOS version to change the PCIe lane configuration:

- Configuration 1 – is the setting in the standard BIOS
- Configuration 2 & 4 – are available in Kontron's Customer Section
- Configuration 3 – For information , contact Kontron support

2.3.9. USB

Both USB 3.0 and USB 2.0 ports are available, where USB 3.0 ports are backwards compatible with the USB 2.0 specification. A maximum of eight USB 2.0 ports are supported, this is made up on six USB 2.0 pots and two USB3.0/2.0 ports

The following table lists the supported USB features.

USB Ports	2x USB 3.0 (USB 3.0/2.0 compatible) 6x USB 2.0
USB Over Current Signals	4x
USB Client Port	1x (COMe port 7 can be configured as client port on all COMe-mAL10 variants)

The USB 3.0 and USB 2.0 port combinations and the relationship between the COMe connector number and the SoC port number are listed in the following table.

COMe Port	SoC Port	USB 2.0	USB 3.0	Comment
USB0	USB#_1	✓	✓	Optionally, SoC port 0 (USB 3.0/2.0 dual role) might be connected to COMe port 0
USB1	USB#_2	✓	✓	
USB2	USB#_3	✓		
USB3	USB#_4	✓		
USB4	USB#_5	✓		
USB5	USB#_6	✓		
USB6	USB#_7	✓		Kontron's security chip is available on request. The security chip is connected to SoC Port 7 and COMe Port 6 (USB6) is not available with this option.
USB7	USB#_0	✓		USB dual role (Client / Host)



The xHCI controller supports wake up from suspend states S3, S4 and S5.

2.3.10. SATA

The SATA high-speed storage interface supports two SATA Gen.3 ports with transfer rates of up to 6 Gb/s.

The following table lists the supported SATA features.

COMe Port	SoC Port	Comment
SATA_0	SATA #0	SATA Gen.3, 6 Gb/s
SATA_1	SATA #1	SATA Gen.3, 6 Gb/s

2.3.11. Ethernet (LAN)(option)

The Intel® Ethernet Controllers i210 and i211, both support one Gigabit Ethernet connectivity. Which Ethernet controller is implemented depends on COMe-mAL10's chosen temperature grade. Both Ethernet controllers include physical layer (PHY) ports supporting Ethernet media dependent interfaces [0-3].

The following table lists the supported Ethernet features.

Ethernet	10/100/1000 Mbit
Ethernet Controller	Intel® i211AT Ethernet controller (for commercial temperature grade) Intel® i210IT Ethernet controller (for industrial temperature grade)

Some additional features of the Intel® i210 and i211 Ethernet controllers are:

- ▶ Energy Efficient Ethernet (IEEE 802.3az)
- ▶ Jumbo frames (up to 9 kB)
- ▶ Interrupt moderation, VLAN support, IP checksum
- ▶ RSS and MSI-X to lower CPU utilization in multi-core systems
- ▶ Advanced cable diagnostics, auto MDI-X
- ▶ Error correcting memory (ECC)
- ▶ IEEE1588/802.1AS precision time synchronization for Time Sensitive Networking (TSN) applications

2.3.12. COMe High-speed Serial Interfaces Overview

High-speed serial interfaces, including PCI Express Gen. 2.0, USB 3.0, SATA Gen.3 and 1 Gb Ethernet are available on the COM Express® 220-pin connector. The following table provides an overview of the relationship between the COM Express® connector ports and the SoC high-speed I/O ports.

The following table lists the possible high-speed serial interface combinations.

COMe Port	SoC High-speed I/O Port	USB 3.0	PCIE	SATA	LAN	Comment
PCIE_0	PCle #0		PCle #0			PCI Express lane [0-15]
PCIE_1	PCle #1		PCle #1			
PCIE_2	PCle #2		PCle #2			
PCIE_3	PCle #3		PCle #3			
GBEO_MDI#	PCle #4		PCle #4		1 GbE	1 Gigabit Ethernet ^[1]
SATA_0	SATA #0			SATA #0		SATA Gen.3, 6 Gb/s
SATA_1	SATA #1			SATA #1		
USB_SS0	USB#_1	USB3#1				USB 3.0
USB_SS1	USB#_2	USB3#2				

^[1] If LAN is used only three external PCIe devices can be used at the same time.

2.3.13. Storage Features

The following table lists the supported on-board storage features.

eMMC	eMMC 5.0 /5.1 NAND Flash 2 GB to 64 GB pSLC (or 4 GB to 128 GB MLC)
------	--



Pseudo SLC (pSLC) is reconfigured MLC. The pSLC memory capacity is half of the MLC capacity.

2.3.14. BIOS/Software Features

The following table lists the supported BIOS and software features.

Supported BIOS	AMI Aptio V uEFI
Software	KEAPI 3 for all supported OS Linux PLD driver BIOS/ EFI Flash Utility for EFI shell, Windows 10 and Linux BIOS/EFI Utility for customers to implement Boot Logo
OS Support	Windows 10 (64 bit) Linux (Yocto 64-bit) + LiveCD VxWorks 7.x

2.3.15. COMe Features

The following table lists the supported COMe specification features.

SPI	Boot from an external SPI
LPC	Supported
UART	2x UART (RX/TX)
LID Signals	Supported
Sleep Signals	Supported
SMBus	Supported

2.3.16. Kontron Features

The following table lists the supported Kontron specific product features.

External I2C Bus	Fast I2C, MultiMaster capable
Embedded API	KEAPI3
Custom BIOS Settings / Flash Backup	Supported
Watchdog Support	Dual staged

2.4. Electrical Specification

2.4.1. Power Supply Voltage Specification

The COMe-mAL10 supports operation in both single supply power supply mode and ATX power supply mode.

The following table lists the power supply voltage specifications.

Supply Voltage (VCC)	12 V
Standby Voltage	5 V \pm 5 %
Supply Voltage Range (VCC)	4.75 V to 20 V
RTC	2.8 V to 3.47 V



5V Standby voltage is not mandatory for operation.

2.4.1.1. Power Supply Rise Time

The input voltage rise time is 0.1 ms to 20 ms from input voltage \leq 10 % to nominal VCC. To comply with the ATX specification there must be a smooth and continuous ramp of each DC input voltage from 10 % to 90 % of the DC input voltage final set point.

2.4.1.2. Power Supply Voltage Ripple

The maximum power supply voltage ripple and noise is 100 mV peak-to-peak measured over a frequency bandwidth of 0 MHz to 20 MHz.

2.4.2. Power Management

Power management options are available within the BIOS setup. The COMe-mAL10 implements the Advanced Configuration and Power Interface ACPI 5.0 hardware specification to control typical platform features such as power button and suspend states.

If VCC power is removed, 5 V \pm 5 % can be applied to the V_5V_STBY pins to support the following suspend-states:

- ▶ Suspend-to-Disk (S4)
- ▶ Suspend to RAM (S3)
- ▶ Soft-off state (S5)

The Wake-up event (S0) requires VCC power because the board is running.

2.4.3. Power Supply Control Settings

The power supply control settings are set in the BIOS and enable the module to shut down, rest and wake from standby.

The following table lists the implemented power supply control settings.

Power Button (PWRBTN#)	Pin B12	To start the module using the power button, the PWRBTN# signal must be at least 50 ms ($50 \text{ ms} \leq t < 4 \text{ s}$, typical 400 ms) at low level (Power Button Event). Pressing the power button for at least four seconds turns off power to the module (Power Button Override).
Power Good (PWR_OK)	Pin B24	PWR_OK is internally pulled up to 3.3 V and must be at the high level to power on the module. This can be driven low to hold the module from powering up as long as needed. The carrier needs to release the signal when ready. Low level prevents the module from entering the S0 state. A falling edge during S0 causes a direct switch to S5 (Power Failure). After a power failure (PWR_OK going HIGH again) the module will not start up automatically.
Carrier Board Reset (CB_Reset#)	Pin	Carrier Board Reset (CB_Reset#)
Reset Button (SYS_RESET#)	Pin B49	When the SYS_RESET# pin is detected active (falling edge triggered), it allows the processor to perform a "graceful" reset, by waiting up to 25 ms for the SMBus to go idle before forcing a reset, even though activity is still occurring. Once the reset is asserted, it remains asserted for 5 ms to 6 ms regardless of whether the SYS_RESET# input remains asserted or not.
SM-Bus Alert (SMB_ALERT#)	Pin B15	With an external battery manager present and SMB_ALERT #connected, the module always powers on even if the BIOS switch "After Power Fail" is set to "Stay Off".
Wake Up Signal WAKE[0:1]	Pins B66 B67	Indicates a PCIe wake up signal "Wake 0" or general purpose wake up signal "Wake 1"



The COMe-mAL10 includes an additional cold reset during the first cold boot after a complete power loss (including battery voltage). This additional reset will not happen on any subsequent warm or cold reboots.

2.4.4. Power Supply Modes

Setting the power supply controls enables the module to operating in either ATX power mode or in single power supply mode.

2.4.4.1. ATX Mode

To start the module in ATX mode and power VCC, follow the step below.

1. Connect the ATX PSU with VCC and 5 VSB to set PWR_OK to low and VCC to 0 V.
2. Press the power button to sets the PWR_OK to high and powers VCC.

The PS_ON# signal generated by SUS_S3# (A15) indicates that the system is in Suspend to RAM state. An inverted copy of SUS_S3# on the carrier board may be used to enable non-standby power on a typical ATX supply. The input voltage must always be higher than 5 V standby ($VCC > 5 \text{ VSB}$) for Computer-On-Modules supporting a wide input voltage range down to 4.75 V.

The following table provides the ATX mode settings.

Table 8: ATX Mode Settings

State	PWRBTN#	PWR_OK	V5_StdBy	PS_ON#	VCC
G3	x	x	0V	x	0V
S5	high	low	5V	high	0V
S5 → S0	PWRBTN Event	low → high	5V	high →	0V → VCC
S0	high	high	5V	low	VCC

x – Defines that there is no difference if connected or open.

2.4.4.2. Single Supply Mode

In single supply mode, without 5V standby the module starts automatically when VCC power is connected and the Power Good input is open or at high level (internal PU to 3.3 V).

PS_ON# is not used in this mode and VCC can be 4.75 V to 20 V.

To power on the module from S5 state, press the power button or reconnect VCC. Suspend/Standby states are not supported in single supply mode.

The following table provides the single supply mode settings.

Table 9: Single Supply Mode Settings

State	PWRBTN#	PWR_OK	V5_StdBy	VCC
G3	0V/x	0V/x	0V/x	0V/x
G3 → S0	high	open / high	open	connecting VCC
S5	high	open / high	open	VCC
S5 → S0	PWRBTN Event	open / high	open	reconnecting VCC

x – Defines that there is no difference if connected or open.



All ground pins must be connected to the carrier board's ground plane.

2.5. Thermal Management

2.5.1. Heatspreader Plate (HSP) Assembly and Metal Heat Slug

A heatspreader plate assembly is available for the COMe-mAL10, see Table 4: Product Specific Accessories. The heatspreader plate assembly is NOT a heat sink. The heatspreader works as a COM Express® standard thermal interface to be use with a heat sink or external cooling devices. External cooling must be provided to maintain the heatspreader plate at proper operating temperatures. Under worst-case conditions, the cooling mechanism must maintain an ambient air and heatspreader plate temperature on any spot of the heatspreader's surface according to the module specifications:

- ▶ 60°C for commercial grade modules
- ▶ 85°C for industrial temperature grade modules (E2)

Commercial temperature grade variants have no preconfigured Intel heatspreader and the supplied metal heat slug (packed separately in the delivery box for the heatspreader) must be installed.

Industrial temperature grade variants have a preconfigured Intel heatspreader and do not require the metal heat slug to be installed.



For industrial temperature grade variants the CPU comes with a preconfigured heatspreader and the supplied metal heat slug is not required.

2.5.2. Active/Passive Cooling Solutions

Both active and passive thermal management approaches can be used with heatspreader plates. The optimum cooling solution varies, depending on the COM Express® application and environmental conditions. Active or passive cooling solutions provided from Kontron for the COMe-mAL10 are usually designed to cover the power and thermal dissipation for a commercial temperature range used in housing with proper airflow. For more information concerning possible cooling solutions, see Table 6: General COMe Accessories.

2.5.3. Operating with Kontron Heatspreader Plate (HSP) Assembly

The operating temperature requirements are:

- ▶ Maximum ambient temperature with ambient being the air surrounding the module
- ▶ Maximum measurable temperature on any part on the heatspreader's surface

Table 10: Heatspreader Temperature Specifications

Temperature Specification	Validation Requirements
Commercial Grade	at 60°C HSP temperature the CPU @ 100% load needs to run at nominal frequency
Industrial Grade (E2)	at 85°C HSP temperature the CPU @ 50% load is allowed to start throttling for thermal protection

2.5.4. Operating without Kontron Heatspreader Plate (HSP) Assembly

The operating temperature is the maximum measurable temperature on any spot on the module's surface.

2.5.5. On-board Fan Connector

The module's fan connector powers, controls and monitors a fan for chassis ventilation. To connect a standard 3-pin connector fan to the module, use one of Kontron's adaptor cables, see Table 6: General COMe Accessories.

Table 11: 3-Pin Fan Connector Pin Assignment

Pin	Signal	Description	Type
1	Fan_Tach_IN#	Input voltage	I
2	V_FAN	Limited to max. 12 V ($\pm 10\%$) across the whole input range	PWR
3	GND	Power GND	PWR

If the input voltage is below 12 V or equal to 12 V, then the maximum supply current to the on-board fan connector is 350 mA and the fan output voltage is equal to the module input voltage. The maximum supply current is limited to 150 mA if the input voltage is more than 12 V but less than the maximum voltage input of 20 V.

NOTICE

Always check the fan specification according to the limitations of the supply current and supply voltage.

Table 12: Electrical Characteristics of the Fan Connector

Module Input Voltage (below 12 V or equal to 12 V)	
Module Input Voltage	≤ 12 V
FAN Output Voltage	Equal to module's input voltage
FAN Output Current	Up to 350 mA
Module Input Voltage (higher than 12 V and up to a maximum of 20 V)	
Module Input Voltage	>12 V to ≤ 20 V
FAN Output Voltage	12 V ($\pm 10\%$)
FAN Output Current	Limited to 150 mA

2.6. Environmental Specification

Kontron defines the operating and non-operating temperature grades for the COMe-mAL10. For more temperature grade information, see Chapter 2.1 Module Variants.

Table 13: Temperature Grade Specifications

Temperature Grades	Operating	Non-operating (Storage temperature)
Commercial Grade	0°C to +60°C	-30°C to +85°C
Industrial Grade (E2)	-40°C to +85°C	-40°C to +85°C

2.6.1. Humidity

Table 14: Humidity Specification

Humidity	
Relative Humidity	93 %, at +40°C, non-condensing (according to IEC 60068-2-78)

2.7. Standards and Certifications

The COMe-mAL10 complies with the following standards and certifications. For more information, contact Kontron Support.

Emission (EMC)	<p>EN55022: Class B Information technology equipment, - Radio disturbance characteristics- Limits and methods of measurement</p> <p>IEC /EN 61000-6-3 Electromagnetic compatibility (EMC)- Part 6-3:Generic standard – Emission standard for residential commercial and light industrial environments</p> <p>IEC/ EN 61000-3-2 Harmonic current emissions</p> <p>IEC / EN 61000-3-3 Voltage changes, voltage fluctuations and flicker</p>
Immunity (EMI)	<p>IEC / EN 61000-6-2 Electromagnetic compatibility (EMC) – Part 6-2: Generic standards - Immunity for industrial environments Includes the following tests:</p> <p>IEC / EN 61000-4-2 - Electrostatic discharge immunity (ESD) IEC / EN 61000-4-3 – Radiated radio frequency electromagnetic field immunity IEC / EN 61000-4-4 - Electrical fast transient/burst immunity IEC / EN 61000-4-5 - Surge immunity test IEC / EN 61000-4-6 - Immunity to conducted disturbances IEC / EN 61000-4-8 - Power frequency magnetic field Immunity IEC / EN 61000-4-11 - Voltage dips, short interruptions, and voltage variations immunity</p>
Safety	<p>EN 62368-1 Safety for audio/video and information technology equipment</p> <p>UL 60950-1 / CSA 60950-1 Information Technology Equipment Including Electrical Business Equipment NWGQ2.E304278 NWGQ8.E304278</p>
Shock	<p>IEC / EN 60068-2-27 Non-operating shock test – (half-sinusoidal, 11 ms, 15 g)</p>
Vibration	<p>IEC / EN 60068-2-6 Non-operating vibration – (sinusoidal, 10 Hz – 4000 Hz, +/- 0.15 mm, 2 g)</p>
Theoretical MTBF	<p>System MTBF (hour) = 792647h @ 40°C for COMe-mAL10 N3350E 4G (Reliability report article number: 34008-0400-11-2)</p> <p>System MTBF (hour) = 702799h @ 40°C for COMe-mAL10 E2 E3950 8E/32S (Reliability report article number: 34009-0832-16-7)</p>
(RoHS2)	<p>2011/65/EU Compliant with the directive on the restriction of the use of certain hazardous substances in electrical and electronic equipment.</p>

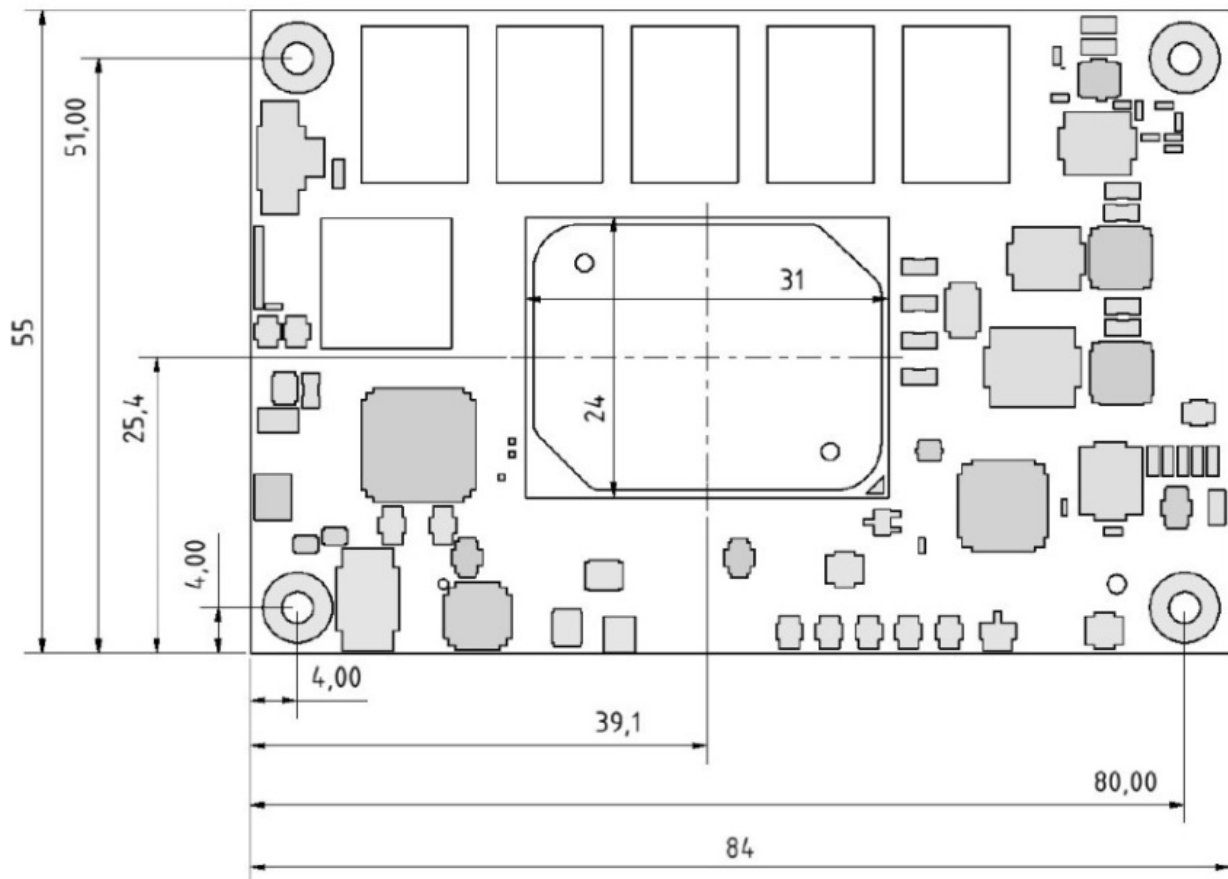
2.8. Mechanical Specification

The COMe-mAL10 is compliant with the mechanical specification of the COM Express® PICMG COM.0 Rev 2.1.

2.8.1. Module Dimensions

The dimensions of the module are: 84 mm x 55 mm (3.3" x 2.17")

Figure 2: Module Dimensions



*All dimensions are in mm.

2.8.2. Module Height

The height of the module depends on the height of the implemented cooling solution. The COM Express® Specification does not specify the height of the cooling solution.

2.8.3. Heatspreader Dimensions

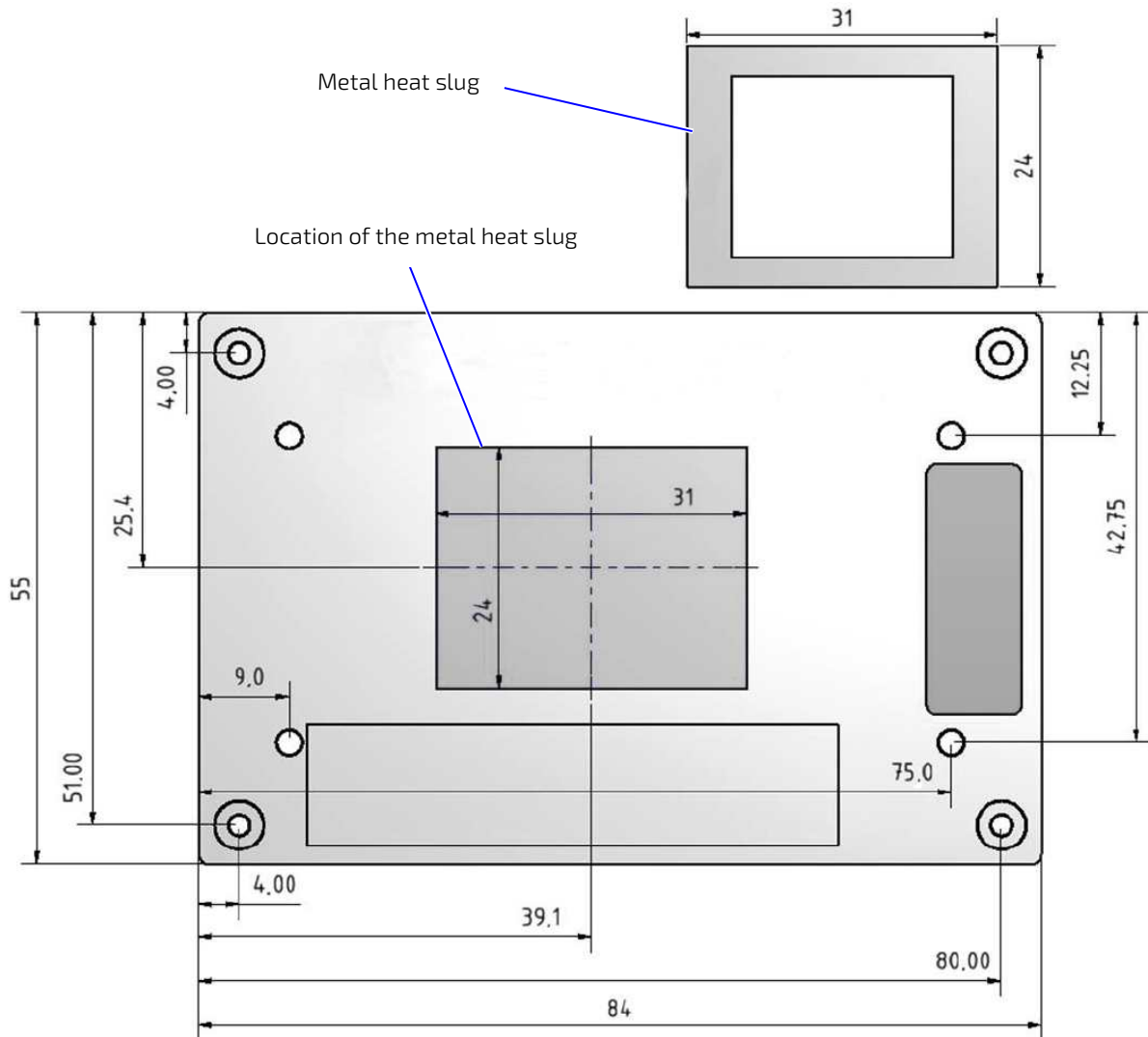
The COMe-mAL10 is available in commercial and industrial temperature grade variants, where:

- ▶ Industrial temperature grade CPUs have a preconfigured Intel heatspreader
- ▶ Commercial temperature grade CPUs have no preconfigured Intel heatspreader and the supplied metal heat slug (packed separately in the delivery box for the heatspreader) must be installed



For industrial temperature grade variants the CPU comes with a preconfigured heatspreader and the supplied metal heat slug is not required.

Figure 3: Heatspreader and Metal Heat Slug Dimensions



*All dimensions shown in mm.

3/ Features and Interfaces

3.1. eMMC Flash Memory

An optional embedded Multimedia Flash Card (eMMC) complying with the eMMC 5.0 / 5.1 specification can be permanently attached to the module, allowing for a capacity of up to 64 GByte NAND Flash. During the COMe-mAL10's manufacturing process, Multi Level Cell (MLC) eMMC is reconfigured to act as pseudo Single Level Cell (pSLC) eMMC to provide improved reliability, endurance and performance.

General eMMC Flash memory features are:

- ▶ 2 GByte to 64 GByte pSLC (or 4 GByte to 128 GByte MLC)
- ▶ eMMC 5.0 / 5.1 compatible

3.2. LPC

The Low Pin Count (LPC) Interface signals are connected to the LPC bus bridge located in the CPU or integrated chipset. The LPC low speed interface can be used for peripheral circuits such as an external Super I/O controller that typically combines legacy-device support into a single IC. The implementation of this subsystem complies with the COM Express® Specification. For more information, refer to the COM Express® Design Guide maintained by PICMG or the official PICMG documentation.

The LPC bus does not support DMA (Direct Memory Access). When more than one device is used on LPC, a zero delay clock buffer is required that can lead to limitations for the ISA bus.

Table 15: Supported BIOS Features

Interface Signals	AMI EFI APTIO V
PS/2	Not supported
COM1/COM2	Supported as COM3 and COM4 (COM1/COM2 are already on-board)
LPT	Not supported
HWM	Not supported
Floppy	Not supported
GPIO	Not supported

Features marked as not supported do not exclude OS support, except for, HWM that is controlled by the BIOS setup within the Advanced setup menu and has no OS software support. The HWM is accessible via the System Management (SM) Bus, for more information see chapter 4.6 System Management (SM) Bus. If any other LPC Super I/O additional BIOS implementations are necessary contact Kontron Support.

3.3. Serial Peripheral Interface (SPI)

The Serial Peripheral Interface Bus (SPI bus) is a synchronous serial data link standard. Devices communicate in master/slave mode, where the master device initiates the data frame. Multiple slave devices are allowed with individual slave select (chip select) lines. SPI is sometimes called a four-wire serial bus, contrasting with three, two and one-wire serial buses.



The SPI interface can only be used with a SPI Flash device to boot from the external BIOS on the baseboard.

3.3.1. SPI boot

It is not possible to flash to a SPI chip that is not the boot SPI Flash chip. To flash the SPI chip there are two possible options:

- ▶ Boot from internal SPI Flash chip and flash the internal SPI Flash chip
- ▶ Boot from external SPI Flash chip and flash the external SPI Flash chip

The COMe-mAL10 supports boot from an external 16 MB, 3 V serial SPI Flash, where pin A34 (BIOS_DIS0#) and pin B88 (BIOS_DIS1#) configure the SPI Flash as shown in Table 16: SPI Boot Pin Configuration.

Table 16: SPI Boot Pin Configuration

Configuration	BIOS_DIS0#	BIOS_DIS1#	Function
1	Open	Open	Boot on module SPI
2	GND	Open	Not supported
3	Open	GND	Boot on carrier SPI
4	GND	GND	Not supported



The BIOS does not support being split between two chips. Booting takes place either from the module SPI or from the baseboard SPI.

Table 17: Supported SPI Boot Flash Types for 8-SOIC Package

Size	Manufacturer	Part Number	Device ID
16MB	Maxim	MX25L12835F	0x20
16MB	Macronix	W25Q128FV	0x40
16MB	Micron	N25Q128A	0xBA

3.3.2. Using an External SPI Flash

Initially, the EFI Shell is booted with an USB key containing the binary used to flash the SPI, plugged in on the system. Depending on which SPI is flashed, the (BIOS_DIS1) jumper located on the COM Express® carrier must be used.

To flash the carrier or module Flash chip:

1. Connect a SPI flash with the correct size (similar to BIOS binary (*.BIN) file size) to the carrier SPI interface.
2. Open pin A34 (BIOS_DIS0#) and connect pin B88 (BIOS_DIS1#) to ground to enable the external SPI Flash to boot on carrier SPI.
3. Turn on the system and make sure that USB is connected then start the uEFI BIOS setup. (See Chapter 6.1: Starting the uEFI BIOS.)

4. Disable the BIOS lock:

Chipset > South Cluster Configuration > Miscellaneous Configuration > BIOS Lock > Disabled

5. Save and Exit the setup.
6. Reboot system into EFI shell.
7. From the EFI shell, enter the name of the partition of the USB Key in this example; select F50: then press <enter>.
8. Enter the following:

```
FPT -F <biosname.BIN>
```

9. Wait until the program ends properly and then power cycle the whole system.
10. The system is now updated.



Depending on the state of the external SPI Flash, the program may display up to two warning messages printed in red. Do not stop the process at this point! After a few seconds of timeout, flashing proceeds. For more information, refer to the [EMD Customer Section](#).

3.3.3. External SPI Flash on Modules with Intel® Management Engine

If booting from the external (baseboard mounted) SPI Flash then exchanging the COM Express® module for another module of the same type will cause the Intel® Management Engine (ME) to fail during the next start. This is due to the design of the ME that bounds itself to every module to which it was previously flashed. In the case of an external SPI Flash, this is the module present at flash time.

To avoid this issue, conduct a complete flash of the external SPI Flash device after changing the COM Express® module for another module. If disconnecting and reconnecting the same module again, this step is not necessary.

3.4. Fast I2C

Fast I2C supports transfer between components on the same board. The COMe-mAL10 features an embedded I2C controller connected to the LPC Bus.

The I2C controller supports:

- ▶ Multimaster transfers
- ▶ Clock stretching
- ▶ Collision detection
- ▶ Interruption on completion of an operation

3.5. UART

The UART implements a serial communication interface and supports up to two serial RX/TX ports defined in the COM Express® specification on pin A98 (SER0_TX) and pin A99 (SER0_RX) for UART0, and pin A101 (SER1_TX) and pin A102 (SER1_RX) for UART1. The UART controller is fully 16550A compatible.

UART features are:

- ▶ On-Chip bit rate (baud rate) generator
- ▶ No handshake lines
- ▶ Interrupt function to the host
- ▶ FIFO buffer for incoming and outgoing data

3.6. Dual Staged Watchdog Timer (WTD)

A watchdog timer or (computer operating properly (COP) timer) is a computer hardware or software timer. If there is a fault condition in the main program, the watchdog triggers a system reset or other corrective actions. The intention is to bring the system back from the non-responsive state to normal operation.

Possible fault conditions are a hang, or neglecting to service the watchdog regularly. Such as writing a "service pulse" to it, also referred to as "kicking the dog", "petting the dog", "feeding the watchdog" or "triggering the watchdog".

The COMe-mAL10 offers a watchdog that works with two stages that can be programmed independently and used stage by stage.

Table 18: Dual Staged Watchdog Timer- Time-Out Events

0000b	No action	The stage is off and will be skipped.
0001b	Reset	A reset restarts the module and starts a new POST and operating system.
0101b	Delay -> No action*	Might be necessary when an operating system must be started and the time for the first trigger pulse must be extended. Only available in the first stage.
1000b	WDT Only	This setting triggers the WDT pin on the baseboard connector (COM Express® pin B27) only.
1001b	Reset + WDT	
1101b	DELAY + WDT -> No action*	

3.6.1. Watchdog Timer Signal

Watchdog time-out event (pin B27) on COM Express® connector offers a signal that can be asserted when a watchdog timer has not been triggered within a set time. The WDT signal is configurable to any of the two stages. After reset, the signal is automatically deasserted. If deassertion is necessary during runtime, contact Kontron Support for further help.

3.7. GPIO

Eight GPIO pins are available, with four pins for the in-direction (pin A54 for GPIO, pin A63 for GPI1, pin A67 for GPI2 and pin A85 for GPI3) and four pins for the out-direction (pin A93 for GPO0, pin B54 for GPO1, pin B57 for GPO2 and pin B63 for GPO3). The type of termination resistor on the module sets the direction of the GPIO where GPIs are terminated with pull-up resistors and GPOs are terminated with pull-down resistors.

Due to, the fact that both the pull-up and pull-down termination resistors are weak, it is possible to override the termination resistors using external pull-ups, pull-downs or IOs. Overriding the termination resistors means that the eight GPIO pins can be considered as bi-directional since there are no restrictions whether you use the available GPIO pins in the in-direction or out-direction.

3.8. Real Time Clock (RTC)

The RTC keeps track of the current time accurately. The RTC's low power consumption means that the RTC can be powered from an alternative source of power, enabling the RTC to continue to keep time while the primary source of power is off or unavailable. The COMe-mAL10's RTC battery voltage range is 2.8 V - 3.47 V.

3.9. Trusted Platform Module (TPM 2.0)

A Trusted Platform Module (TPM) stores RSA encryption keys specific to the host system for hardware authentication. The term TPM refers to the set of specifications applicable to TPM chips. The LPC bus connects the TPM chip to the CPU.

Each TPM chip contains an RSA key pair called the Endorsement Key (EK). The pair is maintained inside the TPM chip and cannot be accessed by software. The Storage Root Key (SRK) is created when a user or administrator takes ownership of the system. This key pair is generated by the TPM based on the Endorsement Key and an owner-specified password.

A second key, called an Attestation Identity Key (AIK) protects the device against unauthorized firmware and software modification by hashing critical sections of firmware and software before they are executed. When the system

attempts to connect to the network, the hashes are sent to a server that verifies they match the expected values. If any of the hashed components have been modified since the last started, the match fails, and the system cannot gain entry to the network.

3.10. Kontron Security Solution

The Kontron Security Solution feature is available on request and offers a hardware and software solution that includes an embedded hardware security module and a software framework to protect applications.

On request, the COMe-mAL10 can be equipped with a security chip connected to SoC port 7 (= COMe USB6). Integrated security solution features are:

- ▶ Copy protection
- ▶ IP protection
- ▶ License model enforcement

If required, customers can customize the solution to meet specific needs. For more information, contact Kontron Support.

3.11. SpeedStep™ Technology

SpeedStep™ technology enables the adaption of high performance computing in applications by switching automatically between maximum performance mode and battery-optimized mode, depending on the needs of the application. When battery powered or running in idle mode, the processor drops to lower frequencies (by changing the CPU ratios) and voltage, thus conserving battery life while maintaining a high level of performance. The frequency is automatically set back to the higher frequency, allowing you to customize performance.

In order to use the Intel® Enhanced SpeedStep™ technology the operating system must support SpeedStep™ technology.

By deactivating the SpeedStep™ feature in the BIOS Setup, manual control or modification of the CPU performance is possible. To achieve manual control setup the CPU Performance State in the BIOS Setup or use third party software to control the CPU Performance States.

4/ System Resources

4.1. Interrupt Request (IRQ) Lines

The following table specifies the device connected to each Interrupt line or if the line is available for new devices.

Table 19: Interrupt Requests

IRQ	General Usage	Project Usage
0	Timer	Timer
1	Keyboard	Keyboard (Super I/O)
2	Redirected secondary PIC	Redirected secondary PIC
3	COM2	COM2
4	COM1	COM1
5	LPT2/PCI devices	One of COM3+4
6	FDD	One of COM3+4 or not used
7	LPT1	LPT1 or one of COM3+4
8	RTC	RTC
9	SCI / PCI devices	Free for PCI devices
10	PCI devices	Free for PCI devices
11	PCI devices	Free for PCI devices
12	PS/2 mouse	Free for PCI devices
13	FPU	FPU
14	IDE0	Not used
15	IDE1	Not used

4.2. Memory Area

The following table specifies the usage of the address ranges within the memory area.

Table 20: Designated Memory Location

Address Range (hex)	Size	Project Usage
00000000-0009FBFF	639 KB	Real mode memory
0009FC00-0009FFFF	1 KB	Extended BDA
000A0000-000BFFFF	128 KB	Display memory (legacy)
000C0000-000CBFFF	48 KB	VGA BIOS (legacy)
000CC000-000DFFFF	80 KB	Option ROM or XMS (legacy)
000E0000-000EFFFF	64 KB	System BIOS extended space (legacy)
000F0000-000FFFFF	64 KB	System BIOS base segment (legacy)
00100000-7FFFFFFF	128 MB	System memory (Low DRAM)
80000000-FFF00000	2 GB – 1 MB	PCI memory, other extensions (Low MMIO)
FEC00000-FEC00FFF	4 KB	IOxAPIC
FED00000-FED003FF	1 KB	HPET (Timer)
FED40000-FED40FFF	4KB	Always reserved for LPC TPM usage
FEE00000-FEEFFFFFFF	1MB	Local APIC region
FFFC0000-FFFFFFFF	256 KB	Mapping space for BIOS ROM/Boot vector
100000000-17FFFFFFF	2 GB	System memory (High DRAM)
180000000-F00000000	58 GB	High MMIO

4.3. I/O Address Map

The I/O port addresses are functionally identical to a standard PC/AT. All addresses not mentioned in this table should be available. We recommend that you do not use I/O addresses below 0100h with additional hardware, for compatibility reasons, even if the I/O address is available.

Table 21: Designated I/O Port Address

I/O Address Range	General Usage	Project Usage
000-00F	DMA-Controller (Master) (8237)	DMA-Controller (Master) (8237)
020-021 024-025 028-029 02C-02D 030-031 034-035 038-039 03C-03D	Interrupt-Controller (Master) (8259)	Interrupt-Controller (Master) (8259)
02E-02F	SuperIO (Winbond)	External SuperIO (Winbond)
040-043 050-053	Programmable Interrupt Timer (8253)	Programmable Interrupt Timer (8253)
04E-04F	2 nd SuperIO, TPM etc.	TPM
060, 064	KBD Interface-Controller (8042)	KBD Interface-Controller (8042)
061, 063 065, 067	NMI Controller	NMI Controller
062, 066	Embedded Microcontroller	Not used
070-071	RTC CMOS / NMI mask	RTC CMOS / NMI mask
072-073	RTC Extended CMOS	RTC Extended CMOS
080-083	Debug port	Debug port
0A0-0A1 0A4-0A5 0A8-0A9 0AC-0AD 0B0-0B1 0B4-0B5 0B8-0B9 0BC-0BD	Interrupt-Controller (Slave) (8259)	Interrupt-Controller (Slave) (8259)
0B2-0B3	APM control	APM control
0C0-0DF	DMA-Controller (Slave) (8237)(N/A)	Not used
0F0-0FF	FPU (N/A)	Not used
170-177	HDD-Controller IDE1 Master	Not used
1F0-1F7	HDD-Controller IDE0 Master	Not used
200-207	Gameport	Not used
220-22F	Soundblaster®	Not used
279	ISA PnP	ISA PnP
278-27F	Parallel port LPT2	Not used
295-296	Hardware monitor (Winbond default)	Reserved (If SuperIO present)
2B0-2BF	EGA	Not used
2D0-2DF	EGA	Not used
2E8-2EF	Serial port COM 4	Serial port COM4 (optional)
2F8-2FF	Serial port COM 2	Serial port COM2 from CPLD

I/O Address Range	General Usage	Project Usage
300-301	MIDI	Not used
300-31F	System specific peripherals	Not used
370-377	Floppy disk controller	Not used
376-377	HDD-Controller IDE1 Slave	Not used
378-37F	Parallel port LPT 1	LPT1 (If SuperIO present)
3BC-3BF	Parallel port LPT3	Not used
3C0-3CF	VGA/EGA	VGA/EGA
3D0-3DF	CGA	Not used
3E0-3E1	PCMCIA ExCA interface	Not used
3E8-3EF	Serial port COM3	Serial port COM3 (optional)
3F0-3F7	Floppy Disk Controller	Not used
3F6-3F7	HDD controller IDE0 Slave	Not used
3F8-3FF	Serial Port COM1	Serial port COM1
4D0-4D1	Interrupt-Controller (Slave)	Interrupt-Controller (Slave)
A80-A81	Kontron CPLD	Kontron CPLD control port
CF8	PCI configuration address	PCI configuration address
CF9	Reset control	Reset control
CFC-CFF	PCI configuration data	PCI configuration data



Other PCI device I/O addresses are allocated dynamically and not listed here. For more information on how to determine I/O address usage, refer to the OS documentation.

4.4. Peripheral Component Interconnect (PCI) Devices

All devices follow the Peripheral Component Interconnect (PCI) 2.3 and PCI Express Base 1.0a specification. The BIOS and Operating System (OS) control the memory and I/O resources. For more information, refer to the PCI 2.3 specification.

4.5. I2C Bus

The following table specifies the devices connected the I2C bus including the I2C address.

Table 22: I2C Bus Port Address

I2C Address	Used For	Available	Comment
58h		No	Internally reserved
A0h	JIDA-EEPROM	No	Module EEPROM
AEh	FRU-EEPROM	No	Recommended for Baseboard EEPROM

4.6. System Management (SM) Bus

The 8-bit SMBus address uses the LSB (Bit 0) for the direction of the device.

- ▶ Bit0 = 0 defines the write address
- ▶ Bit0 = 1 defines the read address

The 8-bit address listed below shows the write address for all devices. The 7-bit SMBus address shows the device address without bit0.

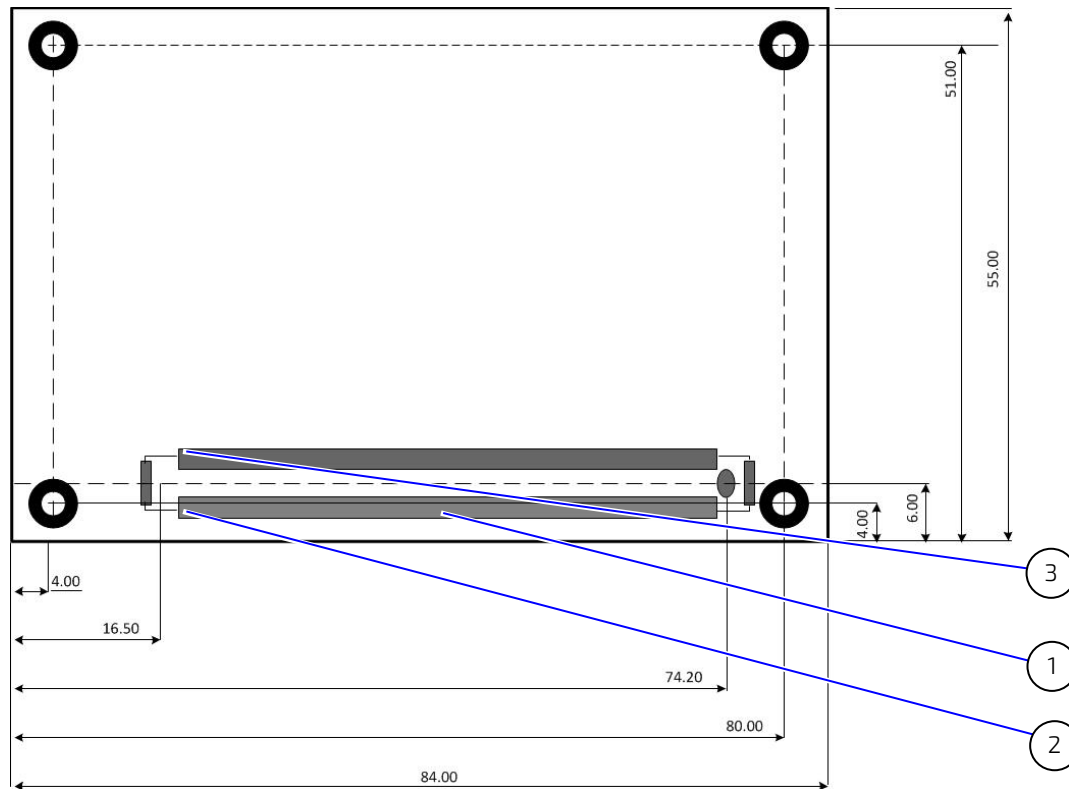
Table 23: SMBus Address

8-bit Address	7-bit Address	Device	Comment	SMBus
5Ch	2Eh	HWM NCT7802Y	Do not use under any circumstances	SMB
A0h	50h	SPD DDR Channel 1 (SO-DIMM)		SMB
A4h	52h	SPD DDR Channel 2 (SO-DIMM)		SMB
30h	18h	SO-DIMM Thermal Sensor	If available on the used memory-module	SMB
34h	1Ah	SO-DIMM Thermal Sensor channel 2	If available on the used memory-module	SMB

5/ COMe Interface Connector

The COMe-mAL10 supports one COMe Interface connector (X1A) that is mounted on the bottom side of the module and contains two rows: row A (1-100) and row B (1-100). The figure below shows the position of the connectors and indicates the first pin in row A.

Figure 4: X1A COMe Interface Connector



*All dimensions are in mm.

- | | | | |
|---|-------------------------------------|---|-------------------------------------|
| 1 | COMe interface connector (X1A) | 3 | Pin B1 (as seen through the module) |
| 2 | Pin A1 (as seen through the module) | | |

5.1. X1A Signals

The terms used in the connector pin assignment tables and a description of the signal type can be found in Table 24: General Signal Description. If more information is required, the Appendix at the end of this user guide and the PICMG specification COMe Rev 2.1 Type 10 standard, contain additional information.



The information within the COMe Interface connectors pin assignment tables is complimentary to the COM.0 Rev 2.1 Type 6 standard. For more information, contact Kontron Support.

Table 24: General Signal Description

Type	Description	Type	Description
NC	Not Connected (on this product)	O-1,8	1.8 V Output
I/O-3,3	Bi-directional 3.3 V I/O-Signal	O-3,3	3.3 V Output
I/O-5T	Bi-dir. 3.3 V I/O (5 V Tolerance)	O-5	5 V Output
I/O-5	Bi-directional 5V I/O-Signal	DP-I/O	Differential Pair Input/Output
I-3,3	3.3 V Input	DP-I	Differential Pair Input
I/OD	Bi-directional Input/Output Open Drain	DP-O	Differential Pair Output
I-5T	3.3 V Input (5 V Tolerance)	PU	Pull-Up Resistor
OA	Output Analog	PD	Pull-Down Resistor
OD	Output Open Drain	PDS	Pull-Down-Strap
+ and -	Differential Pair Differentiator	PWR	Power Connection
		PWR GND	Power Ground Connection

NOTICE

To protect external power lines of peripheral devices, make sure that: the wires have the right diameter to withstand the maximum available current.

The enclosure of the peripheral device fulfills the fire-protection requirements of IEC/EN60950.

5.1.1. Connector X1A Row A 1 - A110

Table 25: Connector X1A Row A Pin Assignment (A1-A110)

Pin	COMe Signal	Description	Type	Termination	Comment
A1	GND	Power Ground	PWR GND		
A2	GBE0_MDI3-	Ethernet Media Dependent Interface 3	DP-I/O		
A3	GBE0_MDI3+				
A4	GBE0_LINK100#	Ethernet speed LED indicator	OD		
A5	GBE0_LINK1000#				
A6	GBE0_MDI2-	Ethernet Media Dependent Interface 2	DP-I/O		
A7	GBE0_MDI2+				
A8	GBE0_LINK#	LAN link LED indicator (LED)	OD		
A9	GBE0_MDI1-	Ethernet Media Dependent Interface 1	DP-I/O		
A10	GBE0_MDI1+				
A11	GND	Power Ground	PWR GND		
A12	GBE0_MDI0-	Ethernet Media Dependent Interface 0	DP-I/O		
A13	GBE0_MDI0+				
A14	GBE0_CTREF	Reference voltage for Carrier Board Ethernet magnetics center tab. The reference voltage is determined by the requirements of the Module PHY and may be as low as 0V and as high as 3.3V.	0		1 nF capacitor to GND
A15	SUS_S3#	Indicates system is in Suspend to RAM (or deeper) state. An inverted copy of SUS_S3# on Carrier Board may be used to enable non-standby power on a typical ATX supply.	0-3.3	PD 10 k Ω	
A16	SATA0_TX+	SATA transmit data pair 0	DP-0		
A17	SATA0_TX-				
A18	SUS_S4#	Indicates system is in Suspend to Disk (or deeper) state	0-3.3	PD 10 k Ω	
A19	SATA0_RX+	SATA receive data pair 0	DP-I		
A20	SATA0_RX-				
A21	GND	Power Ground	PWR GND		
A22	USB_SSRX0-	USB super speed receive data pair 0	DP-I		
A23	USB_SSRX0+				
A24	SUS_S5#	Indicates system is in Soft Off state	0-3.3		
A25	USB_SSRX1-	USB super speed receive data pair 1	DP-I		
A26	USB_SSRX1+				
A27	BATLOW#	Provides a battery-low signal to the module to indicate external battery is low	I-3.3	PU 10 k Ω , 3.3 V (S5)	Assertion prevents wake from S3-S5 state
A28	ATA_ACT#	Serial ATA activity LED indicator	OD-3.3	PU 10 k Ω , 3.3 V (S0)	Can sink 15 mA
A29	HDA_SYNC	HD Audio Sync	0-3.3		
A30	HDA_RST#	HD Audio Reset	0-3.3		
A31	GND	Power Ground	PWR GND		
A32	HDA_CLK	HD Audio Bit Clock Output	0-3.3		

Pin	COMe Signal	Description	Type	Termination	Comment
A33	HDA_SDOOUT	HD Audio Serial Data Out	O-3.3		
A34	BIOS_DIS0#	BIOS selection straps 0 determines the BIOS boot device	I-3.3	PU 10 k Ω , 3.3 V (S5)	
A35	THRMTRIP#	Thermal Trip indicates CPU has entered thermal shutdown	O-3.3	PU 10 k Ω , 3.3 V (S0)	Thermal trip event transition to S5 indicator
A36	USB6-	USB 2.0 data differential pair port 6	DP-I/O	PD/PU in SoC	PD 15 K Ω \pm 5% on downstream facing port PU 1.5 K Ω \pm 5% on upstream facing port
A37	USB6+				
A38	USB_6_7_OC#	USB overcurrent indicator port 6/7	I-3.3	PU 10 k Ω , 3.3 V (S5)	
A39	USB4-	USB 2.0 data differential pair port 4	DP-I/O	PD/PU in Soc	PD 15 K Ω \pm 5% on downstream facing port PU 1.5 K Ω \pm 5% on upstream facing port
A40	USB4+				
A41	GND	Power Ground	PWR GND		
A42	USB2-	USB 2.0 data differential pair port 2	DP-I/O	PD/PU in Soc	PD 15 K Ω \pm 5% on downstream facing port PU 1.5 K Ω \pm 5% on upstream facing port
A43	USB2+				
A44	USB_2_3_OC#	USB overcurrent indicator port 2/3	I-3.3	PU 10 k Ω , 3.3V (S5)	
A45	USB0-	USB 2.0 data differential pairs port 0	DP-I/O	PD/PU in Soc	PD 15 K Ω \pm 5% on downstream facing port PU 1.5 K Ω \pm 5% on upstream facing port
A46	USB0+				
A47	VCC_RTC	Real Time Clock (RTC) circuit power input	PWR 3V		Voltage range 2.8 V to 3.47 V
A48	EXCD0_PERST#	ExpressCard reset port 0	O-3.3	PD 10 k Ω	
A49	EXCD0_CPPE#	ExpressCard capable card request port 0	I-3.3	PU 10 k Ω , 3.3 V (S0)	
A50	LPC_SERIRQ	Serial interrupt request	I/OD-3.3	PU 8.2 k Ω , 3.3 V (S0)	
A51	GND	Power Ground	PWR GND		
A52	RSVD	Reserved for future use	NC		
A53	RSVD				
A54	GPI0	General purpose input 0	I-3.3	PU 20 k Ω , 3.3 V (S0)	
A55	RSVD	Reserved for future use	NC		
A56	RSVD				
A57	GND	Power Ground	PWR GND		
A58	PCIE_TX3+	PCI Express transmit lane 3	DP-0		
A59	PCIE_TX3-				
A60	GND	Power Ground	PWR GND		
A61	PCIE_TX2+	PCI Express transmit lane 2	DP-0		
A62	PCIE_TX2-				
A63	GPI1	General purpose input 1	I-3.3	PU 20 k Ω , 3.3 V (S0)	
A64	PCIE_TX1+	PCI Express transmit lane 1	DP-0		
A65	PCIE_TX1-				

Pin	COMe Signal	Description	Type	Termination	Comment
A66	GND	Power Ground	PWR GND		
A67	GPI2	General purpose input 2	I-3.3	PU 20 k Ω , 3.3 V (S0)	
A68	PCIE_TX0+	PCI Express transmit lane 0	DP-0		
A69	PCIE_TX0-				
A70	GND	Power Ground	PWR GND		
A71	LVDS_A0+	LVDS channel A DAT0 or EDP Lane 2 transmit	DP-0		
A72	LVDS_A0-				
A73	LVDS_A1+	LVDS channel A DAT1 or EDP Lane 1 transmit	DP-0		
A74	LVDS_A1-				
A75	LVDS_A2+	LVDS channel A DAT2 or EDP Lane 0 transmit	DP-0		
A76	LVDS_A2-				
A77	LVDS_VDD_EN	LVDS or EDP panel power control	O-3.3	PD 100 k Ω	
A78	LVDS_A3+	LVDS channel A DAT3	DP-0		
A79	LVDS_A3-				
A80	GND	Power Ground	PWR GND		
A81	LVDS_A_CLK+	LVDS channel A clock or EDP lane 3 transmit	DP-0		Clock 20 MHz to 80 MHz
A82	LVDS_A_CLK-				
A83	LVDS_I2C_CLK	I2C Clock for LVDS display or eDP AUX +	I/O-3.3	PU 2.2 k Ω , 3.3 V (S0)	
A84	LVDS_I2C_DAT	I2C Data line for LVDS display or eDP AUX -	I/O-3.3	PU 2.2 k Ω , 3.3 V (S0)	
A85	GPI3	General purpose input 3	I-3.3	PU 20 k Ω 3.3V (S0)	
A86	RSVD	Reserved for future use	NC		
A87	eDP_HPD	Detection of Hot Plug / Unplug	I-3.3	100 k Ω EDP	
A88	PCIE_CLK_REF+	Reference PCI Express Clock for all PCI Express and PCI Express Graphics lanes	DP-0		100 MHz
A89	PCIE_CLK_REF-				
A90	GND	Power Ground	PWR GND		
A91	SPI_POWER	3.3 V Power Output for external SPI Flash	O-3.3		100 mA maximum
A92	SPI_MISO	Data in to module from carrier SPI (SPI Master IN Slave Out)	I-3.3		
A93	GPO0	General purpose output 0	O-3.3	PD 20 k Ω	
A94	SPI_CLK	Clock from Module to Carrier SPI	O-3.3		
A95	SPI_MOSI	Data out from Module to Carrier SPI	O-3.3		
A96	TPM_PP	TPM physical presence	I-3.3	PD 10 k Ω	TMP does not use this functionality
A97	TYPE10#	Indicates to Carrier Board that type 10 module is installed	PDS	PD 47 k Ω	
A98	SERO_TX	Serial port 0 TXD	O-3.3		20 V protection circuit implemented on- module, PD on carrier boards needed for proper operation
A99	SERO_RX	Serial port 0 RXD	I-5T	PU 47 k Ω , 3.3 V (S0)	20 V protection circuit implemented on- module
A100	GND	Power Ground	PWR GND		

Pin	COMe Signal	Description	Type	Termination	Comment
A101	SER1_TX	Serial port 1 TXD	0-3.3		20 V protection circuit implemented on-module, PD on carrier boards needed for proper operation
A102	SER1_RX	Serial port 1 RXD	I-5T	PU 47 k Ω , 3.3 V (S0)	20 V protection circuit implemented on-module
A103	LID#	LID switch input	I-3.3	PU 47 K Ω , 3.3 V (S5)	
A104	VCC_12V	Main input voltage (4.75 V to 20 V)	PWR 4.75 V to 20 V		
A105	VCC_12V				
A106	VCC_12V				
A107	VCC_12V				
A108	VCC_12V				
A109	VCC_12V				
A110	GND	Power Ground	PWR GND		

+ and - Differential pair differentiator

5.1.2. Connector X1A Row B1 – B110

Table 26: Connector X1A Row B Pin Assignment (B1-B110)

Pin	COMe Signal	Description	Type	Termination	Comment
B1	GND	Power Ground	PWR GND		
B2	GBE0_ACT#	Ethernet Controller activity LED indicator	OD		
B3	LPC_FRAME#	Indicates the start of an LPC cycle	0-3.3		
B4	LPC_AD0	LPC multiplexed command, address and data bus	I/O-3.3		
B5	LPC_AD1				
B6	LPC_AD2				
B7	LPC_AD3				
B8	LPC_DRQ0#	LPC serial DMA master request	NC		Not supported on Apollo Lake SoC
B9	LPC_DRQ1#				
B10	LPC_CLK	LPC 25 MHz clock output	0-3.3	PD 20 k Ω in Soc	25 MHz
B11	GND	Power Ground	PWR GND		
B12	PWRBTN#	Power Button - a falling edge creates a power button event	I-3.3	PU 10 k Ω , 3.3 V	Power button events can be used to bring a system out of S5 soft-off and other suspend states, as well as powering the system down.
B13	SMB_CLK	SMBus clock line	0-3.3	PU 2.56 k Ω , 3.3 V (S5)	
B14	SMB_DAT	SMBus bidirectional data line	I/O-3.3	PU 2.56 k Ω , 3.3 V (S5)	
B15	SMB_ALERT#	SMBus alert generates a SMI# or wakes the system	I/O-3.3	PU 2.2 k Ω , 3.3 V (S5)	
B16	SATA1_TX+	SATA transmit data pair 1	DP-0		
B17	SATA1_TX-				
B18	SUS_STAT#	Indicates imminent suspend operation; used to notify LPC devices.	0-3.3		
B19	SATA1_RX+	SATA receive data pair 1	DP-I		
B20	SATA1_RX-				
B21	GND	Power Ground	PWR GND		
B22	USB_SSTX0-	USB super speed transmit pair 0	DP-0		
B23	USB_SSTX0+				
B24	PWR_OK	Power OK from main power supply	I-5T	PU 61 k Ω , 3.3 V	20 V protection circuit implemented on module
B25	USB_SSTX1-	USB super speed transmit pair 1	DP-0		
B26	USB_SSTX1+				
B27	WDT	Indicates watchdog time-out event has occurred	0-3.3	PD 10 k Ω	
B28	HDA_SDIN2	Audio Codec serial data input 2	NC		Not supported on Apollo Lake SoC
B29	HDA_SDIN1	Audio Codec serial data input 1	NC		
B30	HDA_SDIN0	Audio Codec serial data input 0	I-3.3		

Pin	COMe Signal	Description	Type	Termination	Comment
B31	GND	Power Ground	PWR GND		
B32	SPKR	Speaker output provides the PC beep signal and is mainly intended for debugging purposes	0-3.3		
B33	I2C_CK	I2C port clock output	0-3.3	PU 2.21 k Ω , 3.3 V (S5)	
B34	I2C_DAT	I2C port data I/O line	I/O-3.3	PU 2.21 k Ω , 3.3 V (S5)	
B35	THRM#	Input from off-module temp sensor indicating an over-temp situation	I-3.3	PU 10 k Ω , 3.3 V (S0)	No function implemented
B36	USB7-	USB 2.0 differential data pairs (host) port 7	DP-I/O	PD/PU in SoC	PD 15 k Ω +/- 5% on downstream facing port PU 1.5 k Ω +/- 5% on upstream facing port
B37	USB7+				
B38	USB_4_5_OC#	USB overcurrent indicator port 4/5	I-3.3	PU 10 k Ω , 3.3 V (S5)	
B39	USB5-	USB 2.0 differential data pairs port 5	DP-I/O	PD/PU in SoC	PD 15 k Ω +/- 5% on downstream facing port PU 1.5 k Ω +/- 5% on upstream facing port
B40	USB5+				
B41	GND	Power Ground	PWR GND		
B42	USB3-	USB 2.0 differential data pairs port 3	DP-I/O	PD/PU in SoC	PD 15 k Ω +/- 5% on downstream facing port PU 1.5 k Ω +/- 5% on upstream facing port
B43	USB3+				
B44	USB_0_1_OC#	USB overcurrent indicator port 0/1	I-3.3	PU 10 K Ω , 3.3 V (S5)	
B45	USB1-	USB 2.0 differential data pairs port 1	DP-I/O	PD/PU in SoC	PD 15 k Ω +/- 5% on downstream facing port PU 1.5 k Ω +/- 5% on upstream facing port
B46	USB1+				
B47	EXCD1_PERST#	ExpressCard expansion, reset port 1	0-3.3	PD 10 k Ω	
B48	EXCD1_CPPE#	ExpressCard expansion, capable card request port 1	I-3.3	PU 10 K Ω , 3.3 V (S0)	
B49	SYS_RESET#	Reset button input	I-3.3	PU 3.48 k Ω , 3.3 V (S5)	
B50	CB_RESET#	Carrier board reset- resets output from module to carrier board	0-3.3		
B51	GND	Power Ground	PWR GND		
B52	RSVD	Reserved for future use	NC		
B53	RSVD				
B54	GPO1	General purpose output 1	0-3.3	PD 20 k Ω	
B55	RSVD	Reserved for future use	NC		
B56	RSVD				
B57	GPO2	General purpose output 2	0-3.3	PD 20 K Ω	
B58	PCIE_RX3+	PCI Express receive lane 3	DP-I		
B59	PCIE_RX3-				
B60	GND	Power Ground	PWR		

Pin	COMe Signal	Description	Type	Termination	Comment
B61	PCIE_RX2+	PCI Express receive lane 2	DP-I		
B62	PCIE_RX2-				
B63	GPO3	General purpose output 3	0-3.3	PD 20 K Ω	
B64	PCIE_RX1+	PCI Express receive lane 1	DP-I		
B65	PCIE_RX1-				
B66	WAKE0#	PCI Express Wake Event, wake up signal	I-3.3	PU 10 K Ω , 3.3 V (S5)	
B67	WAKE1#	General purpose Wake Event wake up signal, to implement wake-up on PS2 keyboard or mouse	I-3.3	PU 10 K Ω , 3.3 V (S5)	
B68	PCIE_RX0+	PCI Express receive lane 0	DP-I		
B69	PCIE_RX0-				
B70	GND	Power Ground	PWR GND		
B71	DDIO_PAIR0+	DDIO data pair 0	DP-0		
B72	DDIO_PAIR0-				
B73	DDIO_PAIR1+	DDIO data pair 1	DP-0		
B74	DDIO_PAIR1-				
B75	DDIO_PAIR2+	DDIO data pair 2	DP-0		
B76	DDIO_PAIR2-				
B77	DDIO_PAIR4+	DDIO data pair 4	NC		Not supported on Apollo Lake SoC
B78	DDIO_PAIR4-				
B79	LVDS/BKLT_EN	LVDS or EDP panel backlight enable (ON)	0-3.3	PD 100 k Ω	
B80	GND	Power Ground	PWR GND		
B81	DDIO_PAIR3+	DDIO data pair 3	DP-0		
B82	DDIO_PAIR3-				
B83	LVDS/BKLT_CTRL	LVDS or EDP panel backlight brightness control	0-3.3		
B84	VCC_5V_SBY	5V Standby	PWR 5 V (S5)		Optional, not necessary in single supply mode
B85	VCC_5V_SBY				
B86	VCC_5V_SBY				
B87	VCC_5V_SBY				
B88	BIOS_DIS1#	BIOS selection strap to determine BIOS boot device	I-3.3	PU 10 K Ω , 3.3 V (S5)	
B89	DDO_HPD	DDIO hot plug detect	I-3.3	PD 100 k Ω	
B90	GND	Power Ground	PWR GND		
B91	DDIO_PAIR5+	DDIO data pair 5	NC		Not supported on Apollo lake SoC
B92	DDIO_PAIR5-				
B93	DDIO_PAIR6+	DDIO data pair 6	NC		Not supported on Apollo lake SoC
B94	DDIO_PAIR6-				
B95	DDIO_DCC_AUX_SEL	DDIO DCC/ Aux select	I-3.3	PD 1 M Ω	
B96	USB_HOST_PRSENT	USB host preset	I-3.3	PD 100 k Ω	Internal connection to USB2_VBUS_SNS
B97	SPI_CS#	Chip select for carrier board SPI	0-3.3		
B98	DDIO_CTRLCLK_AUX+	DDIO auxiliary clock control signal	I/O-3.3 v	PD 100 k Ω	

Pin	COMe Signal	Description	Type	Termination	Comment
B99	DDIOCTRLDATA_AUX-	DDIO auxiliary data control signal		PD 100 k Ω , 3,3V (S0)	
B100	GND	Power Ground	PWR GND		
B101	FAN_PWMOUT	Fan speed control by PWM Output	0-3.3		20 V protection circuit implemented on module, PD on carrier board needed for proper operation. Default frequency of PWM signal is 25kHz.
B102	FAN_TACHIN	Fan tachometer input for fan with a two-pulse output	I-3.3	PU 47 k Ω , 3.3 V (S0)	20 V protection circuit implemented on module
B103	SLEEP#	Sleep button signal used by ACPI operating system to bring system to sleep state or wake it up again	I-3.3	PU 47 k Ω , 3.3 V (S5)	
B104	VCC_12V	Main input voltage (4.75 V-20 V)	PWR 4.75 V to 20 V		
B105	VCC_12V				
B106	VCC_12V				
B107	VCC_12V				
B108	VCC_12V				
B109	VCC_12V				
B110	GND	Power Ground	PWR GND		

+ and - Differential pair differentiator

6/ uEFI BIOS

6.1. Starting the uEFI BIOS

The COMe-mAL10 uses a Kontron-customized, pre-installed and configured version of Aptio® V uEFI BIOS based on the Unified Extensible Firmware Interface (uEFI) specification and the Intel® Platform Innovation Framework for EFI. This uEFI BIOS provides a variety of new and enhanced functions specifically tailored to the hardware features of the COMe-mAL10.



The BIOS version covered in this document might not be the latest version. The latest version might have certain differences to the BIOS options and features described in this chapter.



Register for the EMD Customer Section to get access to BIOS downloads and PCN service.

The uEFI BIOS comes with a Setup program that provides quick and easy access to the individual function settings for control or modification of the uEFI BIOS configuration. The Setup program allows for access to various menus that provide functions or access to sub-menus with further specific functions of their own.

To start the uEFI BIOS Setup program, follow the steps below:

1. Power on the board.
2. Wait until the first characters appear on the screen (POST messages or splash screen).
3. Press the key.
4. If the uEFI BIOS is password-protected, a request for password will appear. Enter either the User Password or the Supervisor Password (see Chapter 6.2.4 Security Setup Menu), press <RETURN>, and proceed with step 5.
5. A Setup menu appears.

The COMe-mAL10 uEFI BIOS Setup program uses a hot key navigation system. The hot key legend bar is located at the bottom of the Setup screens. The following table provides a list of navigation hot keys available in the legend bar.

Table 27: Navigation Hot Keys Available in the Legend Bar

Sub-screen	Description
<F1>	<F1> key invokes the General Help window
<->	<Minus> key selects the next lower value within a field
<+>	<Plus> key selects the next higher value within a field
<F2>	<F2> key loads previous values
<F3>	<F3> key loads optimized defaults
<F4>	<F4> key Saves and Exits
<←> or <→>	<Left/Right> arrows selects major Setup menus on menu bar, for example, Main or Advanced
<↑> or <↓>	<Up/Down> arrows select fields in the current menu, for example, Setup function or sub-screen
<ESC>	<ESC> key exits a major Setup menu and enters the Exit Setup menu Pressing the <ESC> key in a sub-menu displays the next higher menu level
<RETURN>	<RETURN> key executes a command or selects a submenu

6.2. Setup Menus

The Setup utility features menus listed in the selection bar at the top of the screen are:

- ▶ Main
- ▶ Advanced
- ▶ Chipset
- ▶ Security
- ▶ Boot
- ▶ Save & Exit

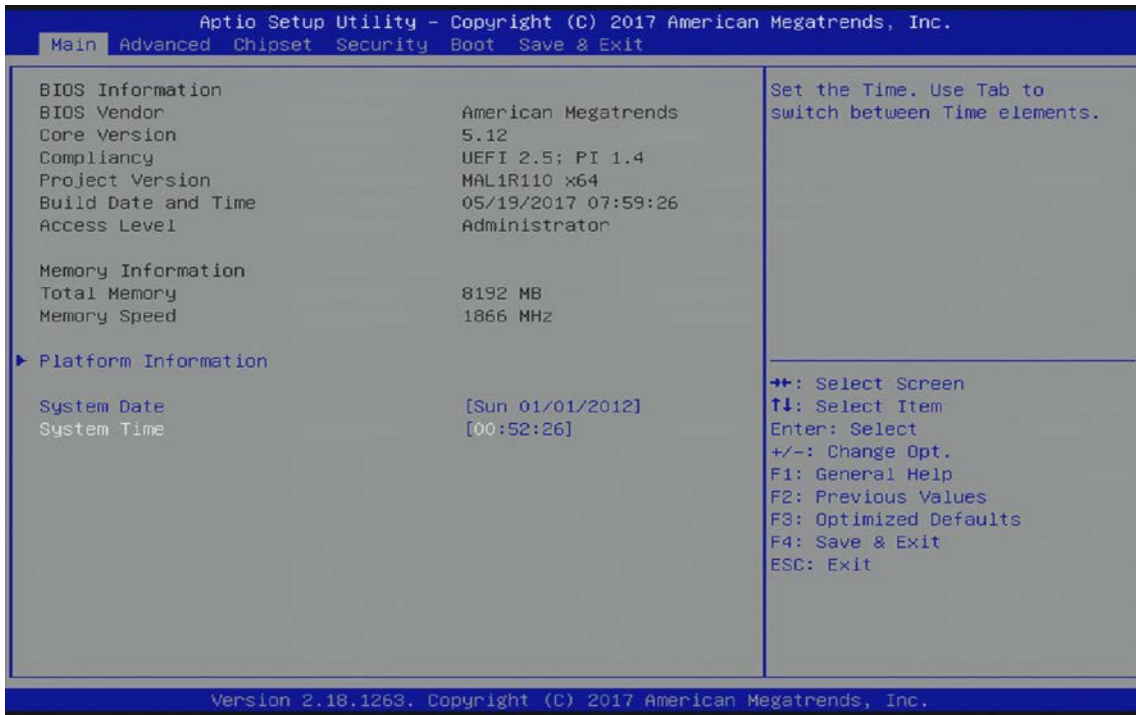
The currently active menu and the currently active uEFI BIOS Setup item are highlighted in white. Use the left and right arrow keys to select the Setup menus.

Each Setup menu provides two main frames. The left frame displays all available functions. Configurable functions are displayed in blue. Functions displayed in grey provide information about the status or the operational configuration. The right frame displays a Help window providing an explanation of the respective function.

6.2.1. Main Setup Menu

On entering the uEFI BIOS, the setup program displays the Main Setup menu. This screen lists the Main Setup menu sub-screens and provides basic system information as well as functions for setting the system language, time and date.

Figure 5: Main Setup Menu Initial Screen



The following table shows the Main Menu sub-screens and functions and describes the content.

Table 28: Main Setup Menu Sub-screens and Functions

Sub-Screen	Description
BIOS Information>	Read only field BIOS vendor, Core version, Compliancy, Project version, Build date and time, and Access level
Memory Information>	Read only field Total memory and Memory speed
Platform Information>	Read only field <i>Module Information</i> Product name, Revision, Serial # ,MAC address, Boot counter, and CPLD rev Additional information for MAC Address The MAC address entry is the value used by the Ethernet controller and may contain the entry 'Inactive' - Ethernet chip is inactive. To activate the Ethernet chip set the following: Advanced > Network Stack Configuration > Network Stack > Enable 88:88:88:88:87:88 is a special pattern that will be filled in by the Ethernet firmware if there is no valid entry in the firmware block of the BIOS SPI (i.e. the MAC address has been overwritten during the last attempt to flash the system).
System Date>	Displays the system date [Week day mm/dd/yyyy]
System Time>	Displays the system time [hh:mm:ss]

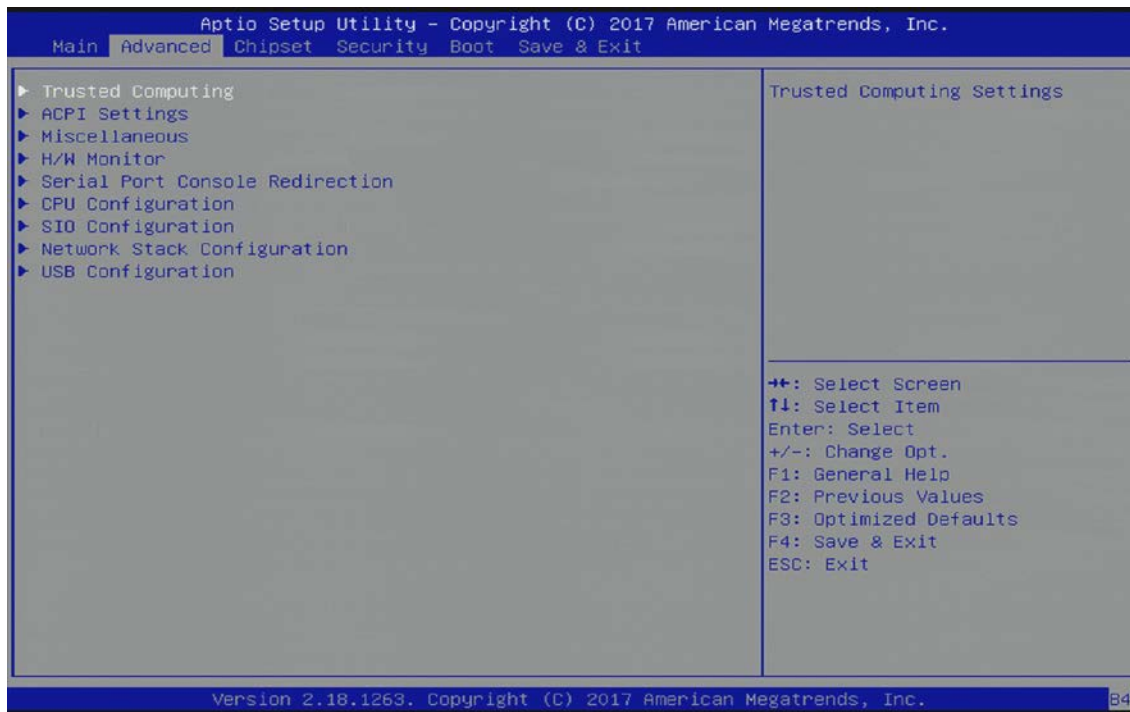
6.2.2. Advanced Setup Menu

The Advanced Setup menu displays sub-screens and second level sub-screens with functions, for advanced configurations.

NOTICE

Setting items, on this screen, to incorrect values may cause system malfunctions.

Figure 6: Advanced Setup Menu Initial Screen



The following table shows the Advanced sub-screens and functions and describes the content. Default settings are in **bold** and for some functions, additional information is included.

Table 29: Advanced Setup menu Sub-screens and Functions

Sub-Screen	Function	Second level Sub-Screen / Description
Trusted Computing>	Read only Information TPM20 device Found, Vendor and Firmware version	
	Security Device Support>	Enables or disables BIOS support for security device Operating System will not show security device, and TCG EFI protocol and INT1A interface are not available. [Enabled, Disabled]
	Active PCR Banks>	Read only field Displays active PCR Banks
	Available PCR Banks>	Read only field Displays available PCR Banks
	SHA-1 PCR Bank>	SHA-1 PCR Bank [Enabled, Disabled]
	SHA256 PCR Bank>	SHA256 PCR Bank [Enabled, Disabled]

Sub-Screen	Function	Second level Sub-Screen / Description	
Trusted Computing> (continued)	Pending Operation>	Schedules an operation for security device Note: Computer reboots on restart to change the state of the security device. [None, TPM Clear]	
	Platform Hierarchy>	Platform Hierarchy [Enabled, Disabled]	
	Storage Hierarchy>	Storage Hierarchy [Enabled, Disabled]	
	Endorsement Hierarchy>	Endorsement Hierarchy [Enabled, Disabled]	
	TPM2.0 UEFI Spec Version>	Selects TCG2 Spec Version support TCG_1_2: is compatible mode for Win8/Win10 and TCG_2: supports TCG2 protocol and event format Win 10 or later. [TCG_1_2, TCG_2]	
	Physical Presence Spec Version>	Select to inform OS to support either PPI Spec 1.2 or 1.3 Note: Some HCK tests might not support 1.3. [1.2, 1.3]	
	TPM 20 InterfaceType>	Read only field	
	Device Select>	Selects BIOS support for security devices. Auto: supports both TPM 1.2 and TPM 2.0 TPM 1.2: restricts support to TPM 1.2 devices TPM 2.0: restricts support to TPM 2.0 devices [TPM 1.2, TPM 2.0, Auto]	
ACPI Settings>	Enable ACPI Auto Configuration>	Enables or disables BIOS ACPI auto configuration. If enabled, the system uses generic ACPI settings that may not fit the system best. [Enabled, Disabled]	
	Enable Hibernation>	Enables or disables systems ability to hibernate (OS/S4 Sleep State) This option may not be effective with some operating systems. [Enabled, Disabled]	
	ACPI Sleep State>	Selects highest ACPI sleep state the system enters when the SUSPEND button is pressed [Suspend Disabled, S3 Suspend to Ram]	
	Lock Legacy Resources>	Lock of legacy resources [Enabled, Disabled]	
Miscellaneous>	Watchdog>	Auto Reload>	Enables automatic reload of watchdog timers on timeout [Enabled, Disabled]
		Global Lock>	Enable sets all Watchdog registers (except for WD_KICK) to read only, until the module is reset. [Enabled, Disabled]
		Stage 1 Mode>	Selects action for Watchdog stage 1 [Disable, Reset, Delay, WDT Signal only]
	<p>Additional Information two-staged watchdog</p> <p>Programmable stages to trigger different actions - If one stage is disabled, then the next stage is also disabled.</p> <p>Common actions for a watchdog trigger events 'Delay', 'Reset' and 'Watchdog signal only'</p> <p>CPLD code allows for triggering NMI or SCI. This requires programming of a predefined action inside the BIOS and therefore can only be used in a customized BIOS solution.</p> <p>Timeouts can be set to eight different fixed values between 1 second and 30 minutes.</p>		

Sub-Screen	Function	Second level Sub-Screen / Description
Miscellaneous> (continued)	Reset Button Behavior>	Selects reset button behavior [Chipset Reset , Power Cycle]
	I2C Speed>	Selects internal I2C bus speed between (1 kHz and 400 kHz) For a default system 200 kHz is an appropriate value.
	On-board I2C Mode>	Keep 'Multimaster' setting unless otherwise noted [MultiMaster , BusClear]
	Manufacturing Mode>	Read only field Function is disabled
	LID Switch Mode>	Shows or hides Lid Switch Inside ACPI OS [Enabled, Disabled]
	Sleep Button Mode>	Shows or hides Sleep Button inside ACPI OS [Enabled, Disabled]
	SMBus device ACPI Mode	Hides the SMBus device from OS if set to hidden, otherwise device is visible [Hidden , Normal]
	CPLD device ACPI mode	Hides CPLD device from OS if set to hidden, otherwise device is visible [Hidden , Normal]
	SDIO/GPIO Output>	Output of SDIO/COMe-GPIO [Enabled , Disabled]
	SDIO/GPIO Mode>	Selects SDIO or COMe-GPIO Mode [SDIO, COMe-GPIO]
H/W Monitor>	CPU Temperature>	Read only field CPU temperature (°C) and Module temperature (°C)
	Module Temperature>	Read only field Module temperature (°C)
	CPU Fan – Fan Control>	Sets CPU Fan Control mode Disable - stops fan. Manual – manually sets the fan Auto – Hardware monitor controls cooling, similar to ACPI based 'Active Cooling', without producing a software load to the system. [Disabled, Manual, Auto]
	CPU Fan – Fan Pulse>	Displays number of pulses the fan produces during one revolution. (Range: 1-4)
	CPU Fan – Fan Trip Point>	Displays temperature at which the fan accelerates. (Range: 20°C – 80°)
	CPU Fan – Trip Point Speed>	Displays Fan speed at trip point in %. Minimum value is 30 %. Fan always runs at 100 % at (TJmax.-10°C).
	CPU Fan – Ref. Temperature>	Determines temperature source used for automatic fan control [Module Temperature , CPU Temperature]
	Additional Information CPU Temperature	

Sub-Screen	Function	Second level Sub-Screen / Description	
H/W Monitor> (continued)	measurement, and does not supply an internal diode on the CPU's die that can be used instead of PECL. Reading the DTS based values would harm the system's real-time behavior and is therefore not used.		
	External Fan- Fan Control>	Sets Fan Control mode for external fan Disable - stops the fan Manual - manually set the fan Auto - hardware monitor controls cooling, similar to ACPI based 'Active Cooling', without producing a software load to the system. [Disable, Manual, Auto]	
	External Fan- Fan Pulse>	Displays number of pulse the fan produces during one revolution (Range: 1-4)	
	External Fan- Fan Trip point>	Displays temperature at which fan accelerates. (Range: 20°C to 80°C)	
	External Fan- Trip Point Speed>	Displays fan speed at trip point in %. Minimum value is 30% Fan always runs at 100% at (TJmax.-10°C)	
	External Fan Reference Temperature>	Determines temperature source used for automatic fan control [Module Temperature, CPU Temperature]	
	Additional Information External Fan An external fan can be connected to baseboard. The external fan's control lines are routed via the COMe connector.		
	5.0V Standby>	Read only field Displays standby voltage	
	Batt Volt. at COMe pin>	Read only field Displays battery voltage at COMe pin	
	Widerange VCC>	Read only field Displays wide range VCC	
Serial Port Console Redirection>	COM0 Console Redirection>	Console redirection via COMe module's COM1 [Enabled, Disabled]	
	COM1 Console Redirection>	Console redirection via COMe module's COM2 [Enabled, Disabled]	
	COM2 Console Redirection>	Console redirection via COMe module's COM3 [Enabled, Disabled]	
	COM3 Console Redirection>	Console redirection via COMe module's COM4 [Enabled, Disabled]	
	Additional Information COM # Console If redirection is enabled then the port settings such as Terminal type, Bits per second, Data bits, Parity etc. can be adjusted here. On-module COM ports do not support flow control. If the Port is disabled, the COM# port is displayed as a read only field.		
	Legacy Console Redirection settings>	Legacy Serial Redirection Port>	Selects a COM port to display redirection of legacy OS and legacy OPROM messages [COM0, COM1, COM2, COM3]
	Serial Port for Out-of-Band Management / Windows EMS Console Redir.>	Console redirection [Enabled, Disabled]	

Sub-Screen	Function	Second level Sub-Screen / Description		
CPU Configuration>	Socket 0 CPU Information>	Read only field Processor Type, CPU signature, Microcode patch, Max. CPU Speed, Min. CPU speed, processor Cores, Intel HT technology, intel VT-x technology, L1 Data Cache, L1 Code Cache, L2 Cache and L3 Cache.		
		Read only field Speed and 64 bit		
	CPU Power management Configuration>	EIST>	Intel Speedstep [Enabled, Disabled]	
		Turbo Mode>	Enables or disables processor turbo mode Note: EMTTM must also be enabled. Auto means enabled unless the max. turbo ratio is bigger than 16-SKL A0 W/A. [Enabled, Disabled]	
		Boot Performance Mode>	Selects the performance state the BIOS sets before OS handoff [Max. Performance, Max. Battery]	
		C-States>	Enables or disables CPU power management to allow CPU to enter C-State [Enabled, Disabled]	
		Enhanced C-States>	Enables or disables C1E. If enabled CPU switches to minimum speed when all cores enter C-state. [Enabled, Disabled]	
		Max. Package C-States>	Controls the maximum package C-state that the processor supports [PC2, PC1, C0]	
		Max. Core C-State>	Controls the maximum core C-state that the cores support. [Fused value, Core C10, Core C9, Core C8, Core C7, Core C6, Core C1, Unlimited]	
		C-State Auto Demotion>	Configures C-state auto demotion [Disabled, C1]	
		C-State Un-demotion>	Configures C-state un-demotion [Disabled, C1]	
	Active Processor Core>	Number of cores to be enabled in each processor package [Enabled, Disabled]		
	Intel (VME) Virtual Technology>	Enables VMM to utilize additional hardware capabilities provided by Vanderpool Technology [Enabled, Disabled]		
	VT-D>	CPU VT-d [Enabled, Disabled]		
	Bidirectional PROCHOT>	If a processor thermal sensor trips (either core), PROCHOT# is driven. If bi-direction is enabled, external agents can drive PROCHOT# to throttle the processor. [Enabled, Disabled]		
	Thermal Monitor>	Thermal monitor [Enabled, Disabled]		
Monitor MWait>	Monitor Mwait [Enabled, Disabled, Auto]			

Sub-Screen	Function	Second level Sub-Screen / Description		
CPU Configuration> (continued)	P-State Coordinator>	Changed P-State coordination type [HW_ALL , SW_ALL, SW_ANY]		
	DTS>	Digital thermal sensor [Enabled, Disabled]		
SIO Configuration>	Read only field AMI SIO driver version			
	Serial Port 0>	Use This Device>	Enables or disables the use of this logical device [Enabled , Disabled]	
		Logical Device Settings: Current>	Read only field IO=3F8h; IRQ=4	
		Logical Device Settings: Possible>	Allows the user to change the device's resource settings. New settings are reflected on the setup page after system restarts. [Use Automatic Settings , IO=3F8h; IRQ=4, IO=3F8h; IRQ=3,4,5,7,9,10,11,12 IO=2F8h; IRQ=3,4,5,7,9,10,11,12, IO=3E8h; IRQ=3,4,5,7,9,10,11,12, IO=2E8h; IRQ=3,4,5,7,9,10,11,12]	
	Serial Port 1>	Use This Device>	Enables or disables the use of this logical device [Enabled , Disabled]	
		Logical Device Settings: Current>	Read only field IO=2F8h; IRQ=3	
		Logical device setting;Possible>	Allows the user to change the device's resource settings. New settings are reflected on the setup page after system restart. [Use Automatic Settings , IO=2F8h; IRQ=3, IO=3F8h; IRQ=3,4,5,7,9,10,11,12 IO=2F8h; IRQ=3,4,5,7,9,10,11,12, IO=3E8h; IRQ=3,4,5,7,9,10,11,12, IO=2E8h; IRQ=3,4,5,7,9,10,11,12]	
	Additional Information SIO:			
	<p>Warning: Logical Devices state on the left side of the control reflects the current logical device state. Changes made during the setup session are shown after restarting the system. Disabling SIO logical devices may have unwanted effects.</p> <p>The SIO Configuration menu enables all available serial interfaces to be configured. The module-based serial interfaces always appear as COM1 and COM2. COM 1 and COM 2 can be treated as 16550-compatible legacy COM interfaces at the standard I/O addresses and are based in the on-module CPLD. Note: Hardware flow control is not supported.</p> <p>Optionally, If the baseboard contains an activated SuperIO of the type Winbond 83627, then its serial interfaces are added to the system as COM3 and COM4. COM3 and COM4 IRQ and I/O addresses are configurable in this menu, too.</p> <p>Although the chipset internal COMs are not supported due to technical constraints their driver must be installed. Installing the driver does not mean that these serial interfaces are useable.</p>			

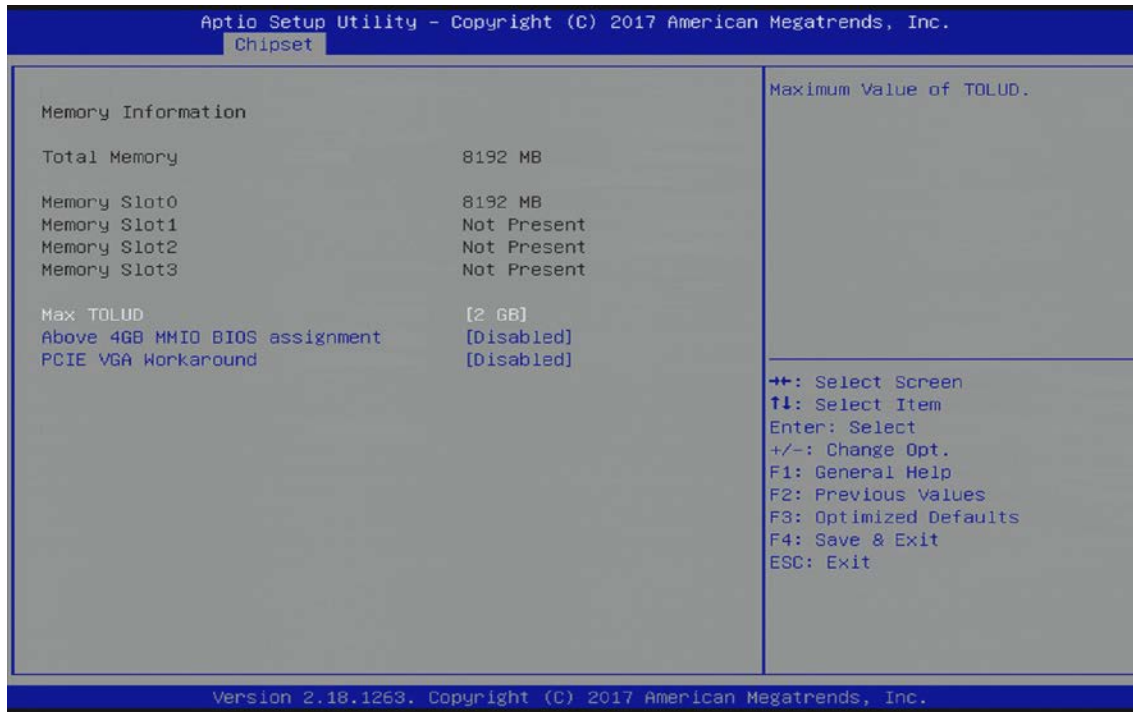
Sub-Screen	Function	Second level Sub-Screen / Description
Network Stack Configuration>	Network Stack>	UEFI network stack [Enabled, Disabled]
	Ipv4 PXE Support>	Enables Ipv4 PXE boot support Note: If disabled IPV4 PXE boot option is not created. [Enabled, Disabled]
	Ipv4 HTTP Support>	Enables Ipv4 HTTP boot support Note: If disabled IPV4 HTTP boot option is not created. [Enabled, Disabled]
	Ipv6 PXE Support>	Enables Ipv6 PXE boot support Note: If disabled IPV6 PXE boot option is not created. [Enabled, Disabled]
	Ipv6 HTTP Support>	Enables Ipv6 HTTP boot support Note: If disabled IPV6 HTTP boot option is not created. [Enabled, Disabled]
	PXE Boot Wait Time>	Displays wait time to press ESC key to abort the PXE boot
	Media Detect Count>	Displays number of times presence of media is detected
USB Configuration>	Read only fields USB Configuration, UBS module Version, USB controllers, and USB devices	
	Legacy USB Support>	Enable- supports legacy USB Auto- disables legacy support, if no USB devices are connected Disable-keeps USB devices available for EFI applications only [Enabled, Disabled, Auto]
	XHCI Hand-off>	XHCI ownership change claimed by XHCI driver. Note: This is a work around for OS(s) without XHCI hand-off support. [Enabled, Disabled]
	USB Mass Storage Driver Support>	Enables or disables USB mass storage driver support [Enabled, Disabled]
	USB Transfer Time-out>	Displays timeout value for control, bulk and interrupt transfers [1 sec, 5 sec, 10 sec, 20 sec]
	Device Reset Time-out>	Displays USB mass storage device start unit command time-out [10 sec, 20 sec , 30 sec, 40 sec]
	Device Power-up Delay>	Displays maximum time taken for the device to report itself to the host properly. Auto uses the default :root port 100 ms /hub port delay is taken from hub port descriptor. [Auto, Manual]

6.2.3. Chipset Setup Menu

On entering the Chipset Setup menu, the screen lists four sub-screen options North bridge, South bridge, Uncore Configuration and South Cluster Configuration.

6.2.3.1. Chipset> North Bridge

Figure 7: Chipset > North Bridge Menu Initial Screen



The following table shows the North bridge sub-screens and functions and describes the content. Default settings are in **bold**.

Table 30: Chipset Set > North Bridge Sub-screens and Function

Function	Second level Sub-Screen / Description
Memory Configuration>	Read only field Total memory, Memory slot 0, Memory slot 1, Memory slot 2, Memory slot 3.
	Max TOLUD> Sets the maximum TOLUD value. Dynamic assignment adjusts TOLUD automatically, based on largest MMIO length of the installed graphic controller. [2 GB , 2.25 GB, 2.5 GB, 2.75 GB, 3 GB]
	Above 4GB MMIO BIOS Assignment> Enables or disables above 4 GB memory mapped IO BIOS assignment. This is disabled automatically when aperture size is set to 2048 MB. [Enabled, Disabled]
	PCIE VGA Workaround> Enable If PCIe card cannot boot in DOS. For test purposes only. [Enabled, Disabled]

6.2.3.2. Chipset > South Bridge

Figure 8: Chipset>South Bridge Menu Initial Screen



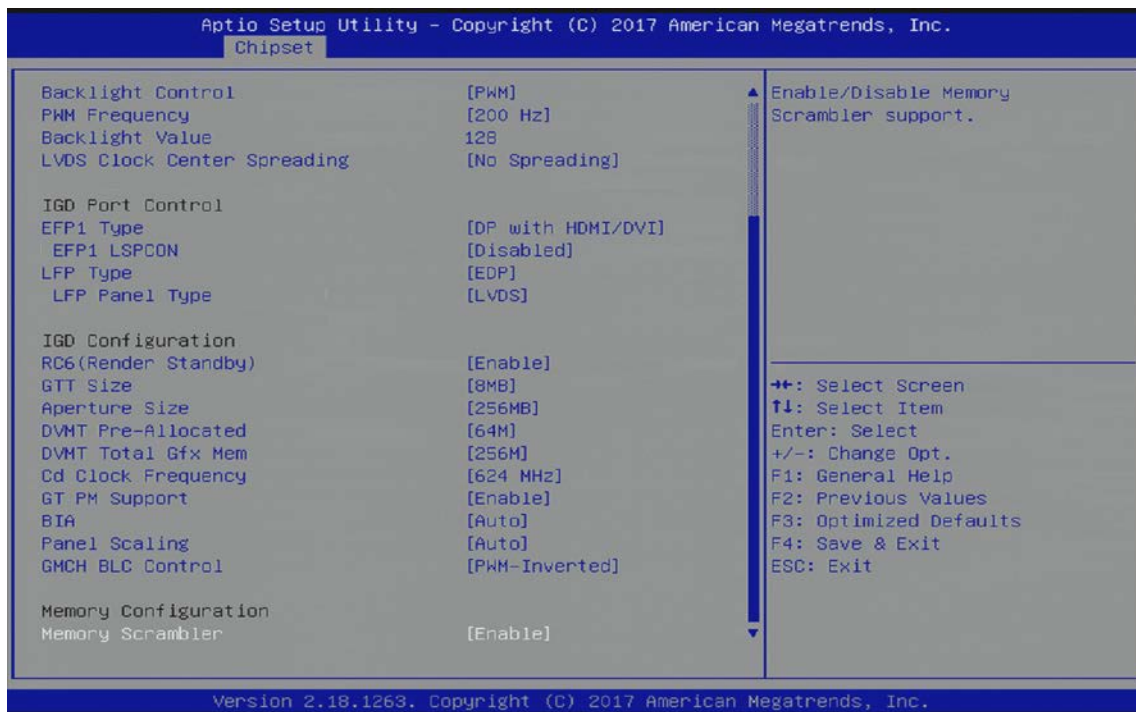
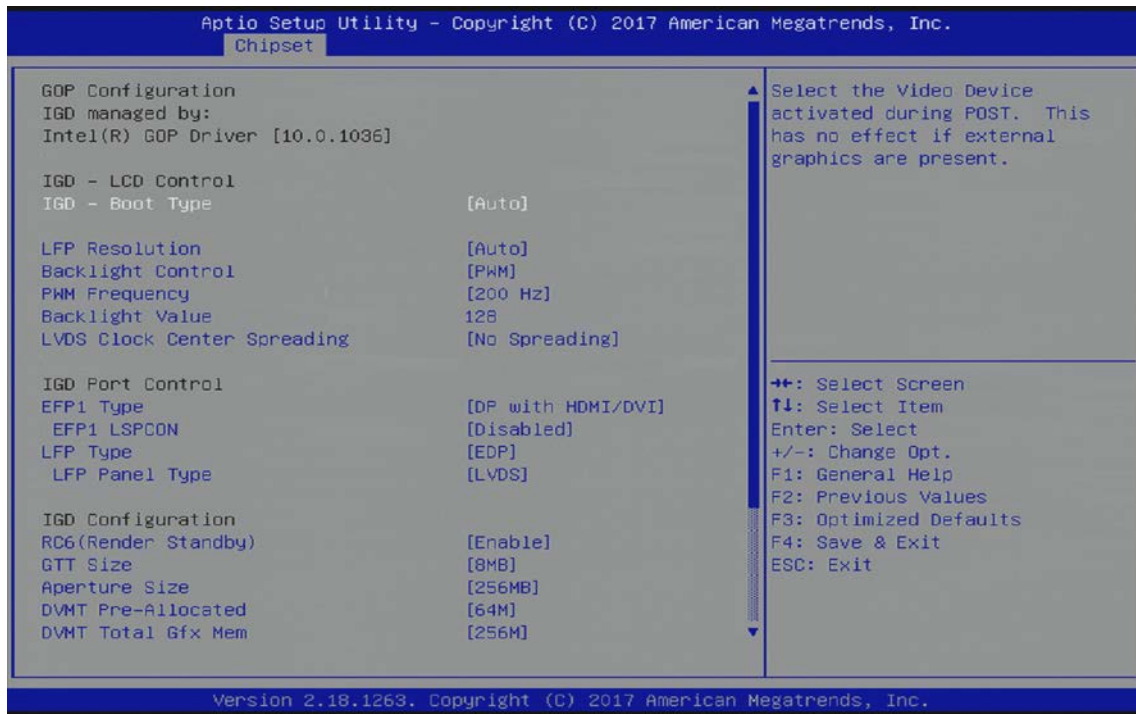
The following table shows the South Bridge sub-screens and functions, and describes the content. Default settings are in **bold**.

Table 31: Chipset Set> South Bridge Sub-screens and Functions

Function	Second level Sub-Screen / Description
OS Selection>	Selects target OS. [Windows , Android, Intel Linux]

6.2.3.3. Chipset> Uncore Configuration

Figure 9: Chipset>Uncore Configuration Menu Initial Screens



The following table shows the Uncore Configuration sub-screens and functions and describes the content. Default settings are in **bold**.

Table 32: Chipset Set> Uncore Configuration Sub-screens and Functions

Function	Second level Sub-Screen / Description
Read only field GOP Configuration data and IGD managed by Intel® GOP driver Information	
IGD-Boot type>	Selects the video device activated during POST This has no effect if external graphics are present. [Auto , LFP, EFP1]
LFP Resolution>	Selects LFP used by Internal Graphics device by selecting the appropriate setup item [Auto , VGA 640x480 1x18, WVGA 800x480 1x18, SVGA 800x600 1x18, XGA 1024x760 1x18, XGA 1024x768 1x24, WXGA 1280x768 1x25, WXGA 1280x800 1x18, WXGA 1366x768 1x24, WSVGA 1024x600 1x24, Custom, PAID]
Backlight Control>	Backlight control setting [None/external, PWM , PWM Inverted, I2C]
PWM Frequency>	Sets LCD backlight PWM frequency [200 Hz , 400 Hz, 1 kHz, 2 kHz, 4 kHz, 8 kHz, 20 kHz, 40 kHz]
Backlight Value>	Sets LCD backlight brightness Range: (0-255)
LVDS Clock Center Spreading>	Selects LVDS clock frequency center spreading depth [No Spreading , 0.5%, 1.0%, 1.5%, 2.0%, 2.5%]
EFP1 Type>	Integrated HDMI/Display Port configuration with external connectors [No Device, DisplayPort Only, DP with HDMI/DVI , DP with DVI, HDMI/DVI, DVI Only]
EFP1 LSPCON>	HDMI 2.0 feature level shifter/Protocol converter [Enabled, Disabled]
LFP Type>	LFP Configuration [No Device, EDP]
LFP Panel Type>	Selects panel type connected to eDP port as native eDP or LVDS via bridge device. This switch depends on the modules H/W option. [LVDS , eDP]
RC6 (render Standby)>	Check to enable render standby support. IF SOix is enabled, RC6 should be enabled. This function is read only if SOix is enabled. [Enabled, Disabled]
GTT Size>	Selects the GTT size [2 MB, 4 MB, 8 MB]
Aperature Size>	Selects the aperture size [128 MB, 256 MB , 512 MB]
DVMT Pre-Allocated>	Selects DVMT 5.0 pre-allocated (fixed) graphics memory size used by Internal graphics [64 M , 96 M, 128 M, 160 M, 192 M, 224 M, 256 M, 288 M, 320 M, 352 M 384 M, 416 M, 448 M, 512 M]
DVMT Total Gfx Mem>	Selects DVMT 5.0 total graphics memory size used by internal graphics device [128 M, 256 M , MAX]

Function	Second level Sub-Screen / Description
Cd Clock Frequency>	Selects the highest Cd clock frequency supported by the platform [144 MHz, 288 MHz, 384 MHz, 576 MHz, 624 MHz]
GT PM Support>	GT PM Support [Enabled , Disabled]
BIA>	Auto: GMCH uses VBIOS default Level n: is enabled with selected aggressiveness level [Auto , Disabled, Level 1, Level 2, Level 3, Level 4, Level5]
Panel Scaling>	Sets Panel scaling [Auto , Centering, Stretching]
GMCH BLC Control>	Backlight control settings [PWM-Inverted , GMBus-Inverted, PWM-Normal, GMBus-Normal]
Memory Scrambler>	Memory scrambler support [Enabled , Disabled]

6.2.3.4. Chipset> South Cluster Configuration

Figure 10: Chipset>South Cluster Configuration Menu Initial Screen



The following table shows the South Cluster Configuration sub-screens and functions and describes the content. Default settings are in **bold** and for some functions, additional information is included.

Table 33: Chipset>South Cluster Configuration Sub-screens and Functions

Function	Second level Sub-Screen / Description	
HD Audio Configuration>	HD-Audio Support>	HD-Audio support [Enabled , Disabled]
	HD-Audio DSP>	HD-Audio DSP [Enabled, Disabled]
	HD-Audio CSME Memory Transfers>	Sets HD-Audio CSME memory transfers to VC0/VC2 [VC0 , VC2]
	HD-Audio Host Memory Transfers>	Sets HD-Audio Host memory transfers to VC0/VC2 [VC0 , VC2]
	HD-Audio I/O Buffer Ownership Select>	Sets HD-Audio I/O buffer ownership [HD-Audio link owns all the I/O buffers, I2S port owns all the I/O buffers]
	HD-Audio Clock Gating>	HD-Audio Clock gating [Enabled , Disabled]
	HD-Audio Power Gating>	HD-Audio Power gating [Enabled , Disabled]
	HD-Audio PME>	HD-Audio PME [Enabled , Disabled]

Function	Second level Sub-Screen / Description		
HD Audio Configuration> (continued)	HD-Audio Link Frequency>	Selects HD-Audio link frequency Applicable only if HDA codec supports selected frequency. [6 MHz, 12 MHz, 24 MHz]	
	iDisplay Link Frequency>	Selects iDisplay Link frequency Applicable only if iDisp codec supports selected frequency. [48 MHz, 96 MHz]	
PCI Express Configuration>	PCI Express Clock Gating>	PCI Express clock gating for each root port [Enabled, Disabled]	
	Port8xh Decode>	PCI express port 8xh decode [Enabled, Disabled]	
	Peer Memory Write Enable>	Peer memory write [Enabled, Disabled]	
	Compliance Test Mode>	Enable when using compliance load board [Enabled, Disabled]	
	PCI Root Port 1 (GbE)> or PCI Root Port 3 (COMe PCIe#0)> or PCI Root Port 4 (COMe PCIe#1)> or PCI Root Port 5 (COMe PCIe#2)> or PCI Root Port 6 (COMe PCIe#3)>	PCI Express Root Port[#]>	Controls the PCI Express port Auto automatically disables the unused root port for optimum power saving. [Enabled , Disabled]
		ASPM>	Active State Power Management (ASPM) level settings [Disabled , Auto, Los, L1, L0sL1]
		L1 Substates>	PCI Express L1 substrates settings [Disabled, L1.1, L1.2, L1.1 & L1.2]
		ACS>	Access Control Service Extended Capability [Enabled , Disabled]
		URR>	PCI Express unsupported request reporting [Enabled, Disabled]
		FER>	PCI Express device fatal error reporting [Enabled, Disabled]
		NFER>	PCI Express device non-fatal error reporting [Enabled, Disabled]
		CER>	PCI Express device correctable error reporting [Enabled, Disabled]
		CTO>	PCI Express completion timer (T0) [Default Setting , 16-55 ms, 65-210 ms, 260-900 ms, 1-3.5 s, Disabled]
		SEFE>	Root PCI Express System Error on Fatal Error [Enabled, Disabled]
SENF>	Root PCI Express System Error on non-Fatal Error [Enabled, Disabled]		

Function	Second level Sub-Screen / Description		
PCI Express Configuration> (continued)	PCI Root Port 1 (GbE)> or PCI Root Port 3 (COMe PCIe#0)> or PCI Root Port 4 (COMe PCIe#1)> or PCI Root Port 5 (COMe PCIe#2)> or PCI Root Port 6 (COMe PCIe#3)> (continued)	SECE>	Root PCI Express System Error on correctable error [Enabled, Disabled]
		PME SCI>	PCI Express PME SCI [Enabled, Disabled]
		Hot Plug>	PCI Express hot plug [Enabled, Disabled]
		PCIe Speed>	Configures PCIe speed [Auto, Gen 1, Gen2]
		Transmitter Half Swing>	Transmitter half swing [Enabled, Disabled]
		Extra Bus Reserved>	Extra bus reserved for bridges behind this root bridge. (0-7)
		Reserved Memory>	Reserved memory and prefetchable memory for this root bridge Range: (1 MB-20 MB)
		Reserved I/O>	Reserved I/O for this root bridge Range: (4 k, 8 k, 16 k, 20 k)
		PCH PCIE1 LTR>	PCH PCIE latency reporting [Enabled, Disabled]
		Snoop Latency Override>	Snoop latency override or Non Snoop override for PCH PCIE. Disabled: disables override
		Non Snoop Latency Override>	Manual: manually enters override values Auto: maintains default BIOS flow. [Disabled, Manual, Auto]
		PCIE1 LTR Lock>	PCIE LTR configuration lock [Enabled, Disabled]
	PCIE Selectable De-emphasis>	Selects level of de-emphasis for an upstream component, if the Link operates at 5.0 GT/s speed. 1b – 3.5 dB 0b – 6 dB [Enabled, Disabled]	
SATA Drivers>	Chipset SATA>	Enables or disables the Chipset SATA controller. Chipset SATA controller supports two black internal SATA ports (up to 3 Gb/s per port.) [Enabled, Disabled]	
	SATA Test Mode>	Test mode [Enabled, Disabled]	
	Aggressive LPM>	Enable PCH to aggressively enter link power state [Enabled, Disabled]	

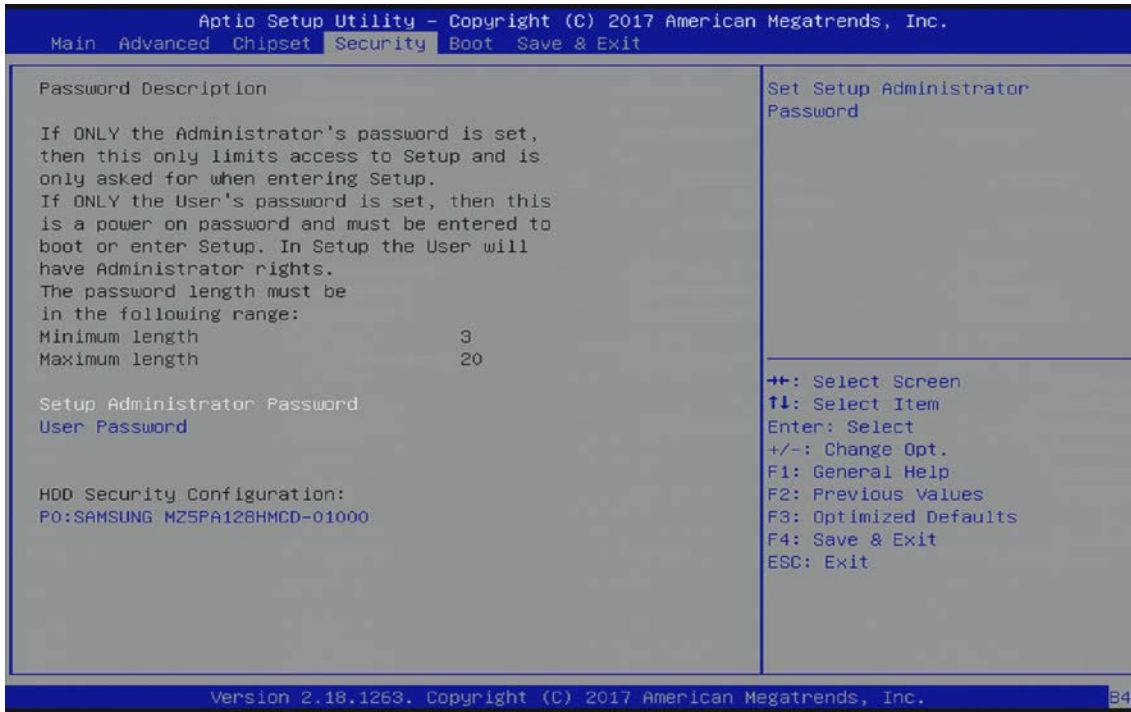
Function	Second level Sub-Screen / Description		
SATA Drivers> (continued)	SATA Port 0> or SATA Port 1>	SATA Port #>	Read only field SATA port installed/Not Installed and software preserve
		Port #>	SATA port # [Enabled , Disabled]
		SATA Port 0 Hot Plug Capability>	Reports SATA port as being Hot Plug capable [Enabled, Disabled]
		Configured as eSATA>	Read only field
		Mechanical Presence Switch>	Controls reporting if port has a mechanical presence switch Note: Requires hardware support. [Enabled, Disabled]
		Spin Up Device>	If enabled for a port, staggered spin-up is performed and only drives with this option enabled spin up at boot. Note: Otherwise, all drives spin up at boot. [Enabled, Disabled]
		SATA Device Type>	Identifies if SATA port is connected to a solid-state drive or hard disk drive. [Hard Disk Drive , Solid State Drive]
		SATA Port# DevSlp>	SATA Port # DevSlp Note: Board rework needed for LP before enable. [Enabled, Disabled]
		DITO Configuration>	DITO configuration [Enabled, Disabled]
		DITO Value>	Read only field
DM Value>	Read only field		
SCC Configuration>	SCC SD Card Support (D27:F0)>	SCC card support [Enabled , Disabled]	
	SCC eMMC Support (D28:F0)>	SCC eMMC Support [Enabled , Disabled]	
	eMMC Max Speed>	Selects the eMMC max. speed allowed [HS400 , HS200, DDR50]	
USB Configuration>	XHCI Pre-Boot Driver>	XHCI pre-boot driver support [Enabled, Disabled]	
	xHCI Mode>	Disable- disables XHCI controller function and no USB devices are detectable or usable during boot and in OS. Note: Do not disable unless required for debugging purposes. [Enabled , Disabled]	
	USB VBUS>	VBUS should be 'ON' in host mode and 'OFF' in OTG device mode [Off, ON]	

Function	Second level Sub-Screen / Description	
USB Configuration> (continued)	USB Port Disable Override>	Selectively enables or disables the corresponding USB port from reporting a device connection to the controller. [Enabled, Disabled]
	xDCI Support>	XDCI [Disable , PCI Mode]
	USB HW Mode AFE Comparators>	USB HW mode AFE comparators [Enabled, Disabled]
Miscellaneous Configuration>	8254 Clock Gating>	8254 Clock gating [Enabled, Disabled]
	State After G3>	Specifies the state to go to if power is reapplied after power failure (G3 state) S0 state: system boots directly as soon as power is applied. S5 state: system remains in power-off states until the power button is pressed. [S0 State , S5 State]
	Board Clock Spread Spectrum>	Clock chip's spread spectrum feature [Enabled, Disabled]
	Wake On LAN>	Wake on LAN [Enabled , Disabled]
	BIOS Lock>	SC BIOS Lock features NOTE: Required to be enabled to ensure SMM protection of flash. [Enabled , Disabled]
	DCI Enable (HDCIEN)>	If enabled the user is considered to have consented to enable DCI and allows debug over the USB 3 interface. If disabled, the host controller does not enable the DCI feature. [Enabled, Disabled]
	DCI Auto Detect Enable>	If set, DCI Auto detects if DCI is connected during BIOS post time and enables DCI. If not set, DCI is disabled. [Enabled , Disabled]

6.2.4. Security Setup Menu

The Security Setup menu provides information about the passwords and functions for specifying the security settings such as Hard Disk user and master passwords.

Figure 11: Security Setup Menu Initial Screen



The following table shows the Security sub-screens and functions and describes the content.

Table 34: Security Setup Menu Sub-screens and Functions

Function	Description
Setup Administrator Password>	Sets administrator password
User Password>	Sets user password
HDD Security Configuration>	<p>Read Only Information</p> <p>Allows access to set, modify and clear Hard Disk user and master passwords.</p> <p>User Passwords need to be installed for Enabling Security. Master Password can be modified only when successfully unlocked with the Master Password in Post.</p> <p>If the 'Set HDD Password' is grayed out, then power cycle to enable the option again.</p> <p>HDD Password Configuration</p> <p>Security supported : Yes</p> <p>Security Enabled : No</p> <p>Security Locked : No</p> <p>Security Frozen : No</p> <p>HDD User Pwd Status : Not Installed</p> <p>HDD Master Pwd Status : Installed</p>

Function	Description	
HDD Security Configuration> (continued)	Set User Password>	Sets HDD password. Note: It is advisable to power cycle the system after setting Hard Disk passwords. The 'Discarding or Saving Changes' in the setup does not have an impact on HDD when the password is set or removed. If the setup HDD user Password is grayed out, do power cycle enable the option again.



If only the administrator's password is set, then only access to setup is limited. The password is only entered when entering the setup.

If only the user's password is set, then the password is a power on password and must be entered to boot or enter setup. Within the setup menu the user has administrator rights.

Password length requirements are maximum length 20 and minimum length 3.

6.2.4.1. Remember the Password

It is recommended to keep a record of all passwords in a safe place. Forgotten passwords results in the user being locked out of the system. If the system cannot be booted because the User Password or the Supervisor Password are not known, clear the uEFI BIOS settings, or contact Kontron Support for further assistance.

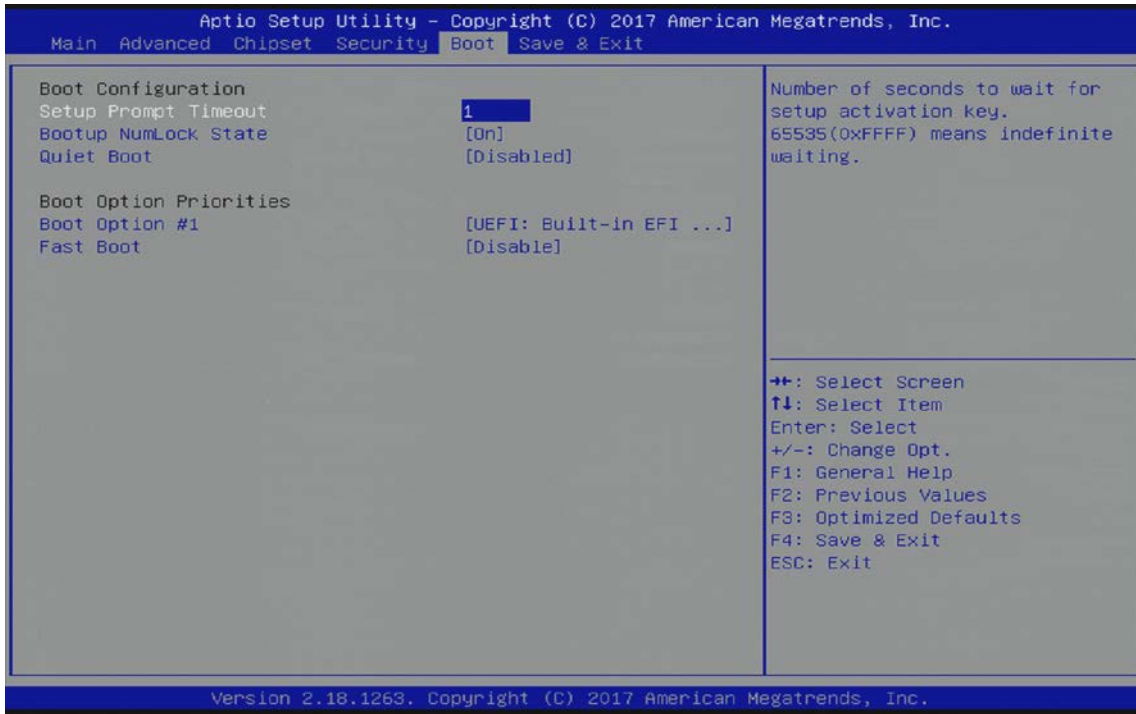


HDD security passwords cannot be cleared using the above method.

6.2.5. Boot Setup Menu

The Boot Setup menu lists the dynamically generated boot-device priority order.

Figure 12: Boot Setup Menu Initial Screen



The following table shows the Boot set up sub-screens and functions and describes the content. Default settings are in bold.

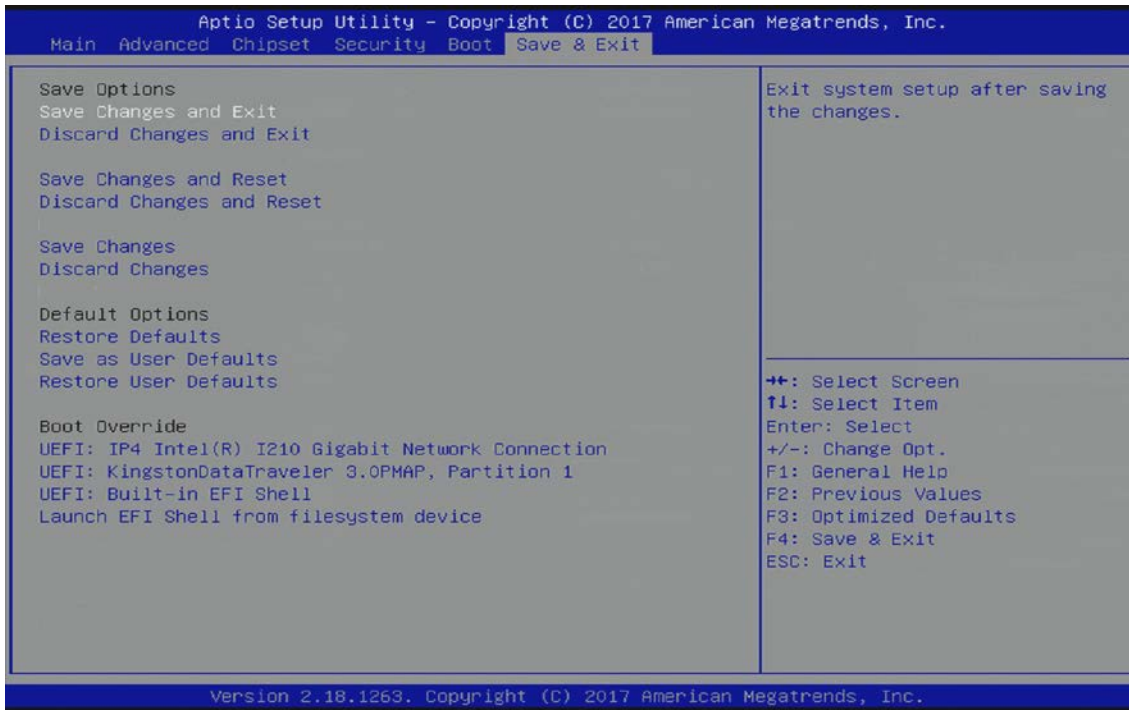
Table 35: Boot Setup Menu Sub-screens and Functions

Function	Description
Setup Prompt Timeout>	Displays number of seconds that the firmware waits for setup activation key The value 65535(0xFFFF) means an indefinite wait.
Bootup NumLock State>	Selects keyboard NumLock state [ON, OFF]
Quiet Boot>	Quiet Boot [Enabled, Disabled]
Boot Option #1>	Sets the system boot order [UEFI: Built in EFI Shell , Disabled]
Fast Boot>	Enables or disables FastBoot features Note: Most probes are skipped to reduce time and cost during boot. [Enabled, Disabled]

6.2.6. Save and Exit Setup Menu

The Save and Exit Setup menu provides functions for handling changes made to the settings and exiting the program.

Figure 13: Save and Exit Setup Menu Initial Screen



The following table shows the Save and Exit sub-screens and functions and describes the content.

Table 36: Save and Exit Setup Menu Sub-screens and Functions

Function	Description
Save Changes and Exit >	Exits system after saving changes
Discard Changes and Exit>	Exits system setup without saving changes
Save Changes and Reset>	Resets system after saving changes
Discard Changes and Reset>	Resets system setup without saving changes
Save Changes>	Saves changes made so far for any setup options
Discard Changes>	Discards changes made so far for any setup options
Restore Defaults>	Restores/loads standard default values for all setup options
Save as User Defaults>	Saves changes made so far as user defaults
Restore User Defaults>	Restores user defaults to all setup options
UEFI: IP4 Intel® I210 Gigabit Network Connection>	Attempts to launch the boot option #1
UEFI: KingstonDataTraveler 3.OPMAP, Partition 1>	Attempts to launch the boot option #2
UEFI: Built in EFI Shell>	Attempts to launch the boot option #3
Launch EFI Shell from File System Device>	Attempts to launch EFI Shell application (Shell.efi) from one of the available filesystem devices

6.3. The uEFI Shell

The Kontron uEFI BIOS features a built-in and enhanced version of the uEFI Shell. For a detailed description of the available standard shell scripting, refer to the EFI Shell User Guide. For a detailed description of the available standard shell commands, refer to the EFI Shell Command Manual. Both documents can be downloaded from the EFI and Framework Open Source Community homepage (<http://sourceforge.net/projects/efi-shell/files/documents/>).



AMI APTIO update utilities for DOS, EFI Shell and Windows are available at AMI.com:
<http://www.ami.com/support/downloads/amiflash.zip>.



Kontron uEFI BIOS does not provide all shell commands described in the EFI Shell Command Manual.

6.3.1. Basic Operation of the uEFI Shell

The uEFI Shell forms an entry into the uEFI boot order and is the first boot option by default.

6.3.1.1. Entering the uEFI Shell

To enter the uEFI Shell, follow the steps below:

1. Power on the board.
2. Press the <F7> key (instead of) to display a choice of boot devices.
3. Select 'UEFI: Built-in EFI shell'.

```
EFI Shell version 2.40 [5.11]
Current running mode 1.1.2
Device mapping table
Fs0      :HardDisk - Alias hd33b0b0b fs0
          Acpi (PNPOA03, 0) / Pci (1D|7) / Usb (1, 0) / Usb (1, 0) / HD (Part1, Sig17731773)
```

4. Press the <ESC> key within 5 seconds to skip startup.nsh, and any other key to continue.
5. The output produced by the device-mapping table can vary depending on the board's configuration.
6. If the <ESC> key is pressed before the 5 second timeout elapses, the shell prompt is shown:

```
Shell>
```

6.3.1.2. Exiting the uEFI Shell

To exit the uEFI Shell, follow one of the steps below:

1. Use the **exit** uEFI Shell command to select the boot device, in the Boot menu, that the OS boots from.
2. Reset the board using the **reset** uEFI Shell command.

6.4. uEFI Shell Scripting

6.4.1. Startup Scripting

If the <ESC> key is not pressed and the timeout has run out then the uEFI Shell automatically tries to execute some startup scripts. It searches for scripts and executes them in the following order:

1. Initially searches for Kontron flash-stored startup script.
2. If there is no Kontron flash-stored startup script present, then the uEFI-specified **startup.nsh** script is used. This script must be located on the root of any of the attached FAT formatted disk drive.
3. If none of the startup scripts are present or the startup script terminates then the default boot order is continued.

6.4.2. Create a Startup Script

Startup scripts can be created using the uEFI Shell built-in editor **edit** or under any OS with a plain text editor of your choice. To create a startup shell script, simply save the script on the root of any FAT-formatted drive attached to the system. To copy the startup script to the flash, use the **kBootScript** uEFI Shell command.

In case there is no mass storage device attached, the startup script can be generated in a RAM disk and stored in the SPI boot flash using the **kRamdisk** uEFI Shell command.

6.4.3. Example of Startup Scripts

6.4.3.1. Execute Shell Script on other Harddrive

This example (**startup.nsh**) executes the shell script named **bootme.nsh** located in the root of the first detected disc drive (**fs0**).

```
fs0:
bootme.nsh
```

6.5. Firmware Update

Firmware updates are typically delivered as a ZIP archive containing only the firmware images. The content of the archive with the directory structure must be copied onto a data storage device with FAT partition.

6.5.1. Updating Procedure

BIOS can be updated with the Intel tool **fpt.efi** using the procedure below:

1. Copy the following files to an USB stick:
 - ▶ flash.nsh (if available)
 - ▶ fpt.efi
 - ▶ fparts.txt
 - ▶ mAL10r<xxx>.bin (where xxx stands for the version #)
2. Start the system into uEFI BIOS setup (see Chapter 6.1 Starting the uEFI BIOS).
3. Disable the BIOS Lock.
 - Chipset > South Cluster Configuration> Miscellaneous Configuration> BIOS Lock > Disabled
4. Save and Exit the BIOS setup.

5. On the next start, boot into shell (see Chapter 6.3.1.1 Entering the uEFI Shell).
6. Change to the drive representing the USB stick.

```
fsx: (x = 0, 1, 2, etc. represents the USB stick)
```

And then change to the directory where you copied the flash tool.

```
cd <your_directory>
```

7. Start flash.nsh (if available) OR enter

```
fpt -F mal10r<xxx>.bin
```

8. Wait until flashing is successful and then power cycle the board.



Do not switch off the power during the flash process!
Switching off the power during the flash process leaves your module unrecoverable.



Changes made when the BIOS lock is disabled (previous step 3) are only effective during the first boot, after applying the changes. If the system is not flashed during the next, the update procedure might have to be repeated.

Appendix A: List of Acronyms

Table 37: List of Acronyms

API	Application Programming Interface	HBR2	High Bitrate 2
BIOS	Basic Input Output System	HDA	High Definition Audio (HD Audio)
BMC	Base Management Controller	HD/HDD	Hard Disk /Drive
BSP	Board Support Package	HDMI	High Definition Multimedia Interface
CAN	Controller-area network	HPM	PICMG Hardware Platform Management specification family
Carrier Board	Application specific circuit board that accepts a COM Express® module	HWM	Hardware Monitor
COM	Computer-on-Module	IC	Integrated Circuit
COMe-b	COM Express® b=basic 125 mm x 95 mm module form factor	I2C	Inter integrated Circuit Communications
COMe-c	COM Express® c=compact 95 mm x 95 mm module form factor	IOL	IPMI-Over-LAN
COMe-m	COM Express® m=mini 84 mm x 55 mm module form factor	IOT	Internet of Things
COP	Computer Operating Properly	IPMI	Intelligent Platform Management Interface
CNTG	Computer Network Transaction Group	ISA	Industry Standard Architecture
DDC	Display Data Control	KCS	Keyboard Controller Style
DDI	Digital Display Interface –	KVM	Keyboard Video Mouse
DDIO	Digital Display Input/Output	LAN	Local Area Network
DIMM	Dual In-line Memory Module	LPC	Low Pin-Count Interface:
DP	DisplayPort (digital display interface standard)	LPT	Line Printing Terminal
DMA	Direct Memory Access	LSB	Least Significant Bit
DRAM	Dynamic Random Access Memory	LVDS	Low Voltage Differential Signaling –
DVI	Digital Visual Interface	M.A.R.S.	Mobile Application for Rechargeable Systems
EAPI	Embedded Application Programming Interface	MEI	Management Engine Interface
ECC	Error Checking and Correction	MLC	Multi Level Cell
EEPROM	Electrically Erasable Programmable Read-Only Memory	MTBF	Mean Time Before Failure
eDP	Embedded Display Port	NA	Not Available
EMC	Electromagnetic Compatibility (EMC)	NC	Not Connected
ESD	Electro Sensitive Device	NCSI	Network Communications Services Interface
FAT	File Allocation Table	NTC	Negative Temperature Coefficient resistor
FIFO	First In First Out	PCI	Peripheral Component Interface
FRU	Field Replaceable Unit	PCIe	PCI-Express
Gb	Gigabit	PECI	Platform Environment Control Interface
GBE	Gigabit Ethernet	PEG	PCI Express Graphics
GPI	General Purpose Input	PICMG®	PCI Industrial Computer Manufacturers Group
GPIO	General Purpose Input Output	PHY	Ethernet controller physical layer device
GPO	General Purpose Output	Pin-out Type	COM Express® definitions for signals on COM Express® Module connector pins.
GPU	Graphics Processing Unit		

pSLC	pseudo Single Level Cell
PSU	Power Supply Unit
RoHS	Restriction of the use of certain Hazardous Substances
RTC	Real Time Clock
SAS	Serial Attached SCSI – high speed serial version of SCSI
SATA	Serial AT Attachment:
SCSI	Small Computer System Interface
SEL	System Event Log
ShMC	Shelf Management Controller
SLC	Single Level Cell
SMB	System Management Bus
SoC	System on a Chip
SOIC	Small Outline Integrated Circuit
SOL	Serial Over LAN
SPI	Serial Peripheral Interface
SSH	Secure Shell
TPM	Trusted Platform Module
UART	Universal Asynchronous Receiver Transmitter
UEFI	Unified Extensible Firmware Interface
UHD	Ultra High Definition
USB	Universal Serial Bus
VGA	Video Graphics Adapter
VLP	Very Low Profile
WDT	Watch Dog Timer
WEEE	Waste Electrical and Electronic Equipment (directive)



About Kontron

Kontron is a global leader in embedded computing technology (ECT). As a part of technology group S&T Kontron offers a combined portfolio of secure hardware, middleware and services for Internet of Thing (IoT) and Industry 4.0 applications. With its standard products and tailor-made solutions based on high reliable state-of-the-art embedded technologies, Kontron provides secure and innovative applications for a variety of industries. As a result, customers benefit from accelerated time-to-market, reduced total cost of ownership, product longevity and the best fully integrated applications overall. For more information please visit: www.kontron.com



Global Headquarters

Kontron S&T AG

Lise-Meitner-Str. 3-5
86156 Augsburg
Germany
Tel.: +49 821 4086-0
Fax: +49 821 4086-111
info@kontron.com