

EP100-AL



Intel Atom® Processor
Tiny-sized Mini PC



KEY FEATURES



Tiny-sized and reliable

Fanless design with anti-vibration and shock



Sleek and stylish with excellent cooling

Support wide temperature -10°C to 50°C



Multiple Power in source

Support USB Type C and PoE PD 802.3af 12.95W



Application Focus: Digital Signage

Support up to 4K digital content by 2 displays

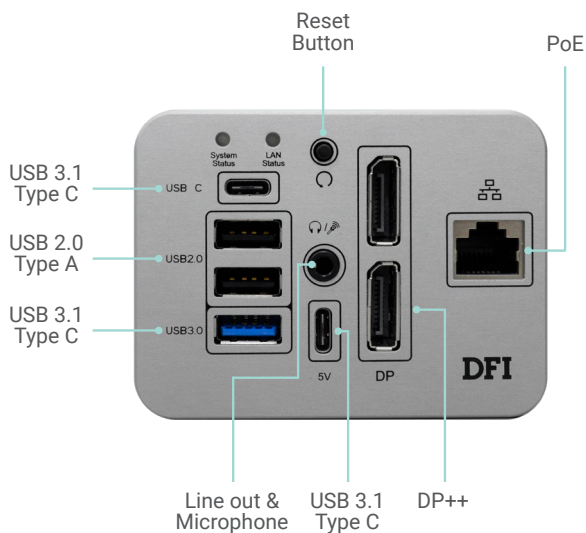


Diverse I/O

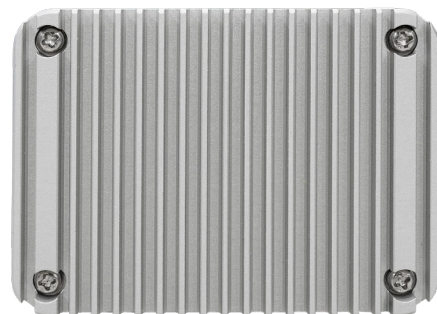
1 USB 3.1 Type C, 1 USB 3.1 Type A, 2 USB 2.0 Type A, 1 LAN, 1 3.5mm Audio Jack



PANEL

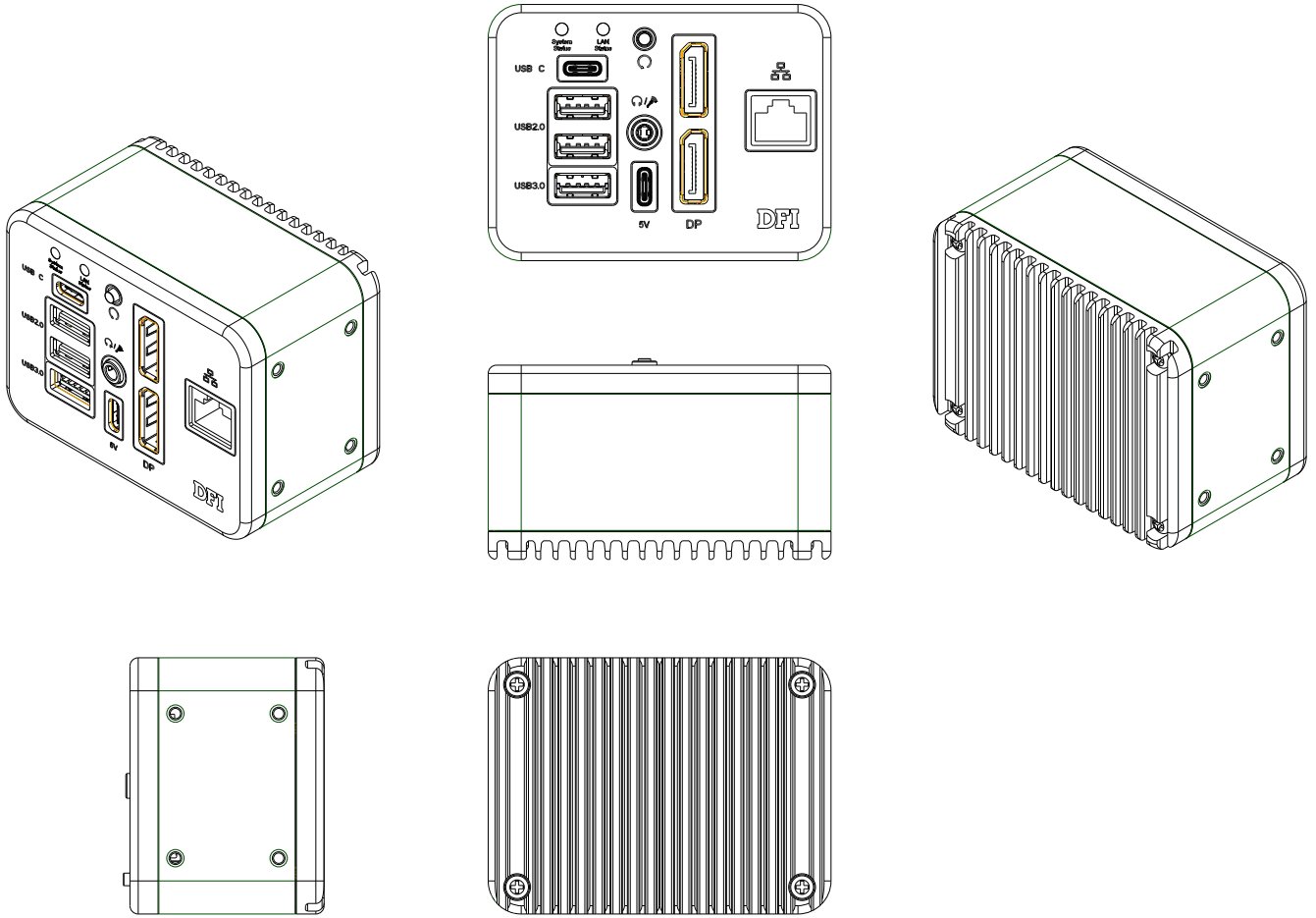


Front View



Rear View

DIMENSIONS



SPECIFICATION

SYSTEM	Processor	Intel Atom® Processor E3900 Series, BGA 1296 Intel Atom® x5-E3940 Processor, Quad Core, 2M Cache, 1.6GHz (1.8GHz), 9W
	Memory	LPDDR4 4GB Memory onboard
	BIOS	AMI SPI 128Mbit (supports UEFI/Legacy mode)
GRAPHICS	Controller	Intel® HD Graphics
	Feature	OpenGL 4.2, Direct X 11.1, OpenCL 1.2, OGL ES 3.0 HW Decode: H.264, MPEG2, VC1, VP8, H.265, MPEG4, MVC, VP9, WMV9, JPEG/MJPEG HW Encode: H.264, MPEG4, VP8, H.265, MVC
	Display	2 x DP++ DP: resolution up to 4096x2160 @ 60Hz
	Dual Displays	2 x DP++
STORAGE	Internal	Support EMMC up to 64GB
ETHERNET	Controller	Intel i210AT PCIe (10/100/1000Mbps)
LED	Indicators	1 x Power LED 1 x LAN LED
FRONT I/O	PoE	PoE PD 802.3af 12.95W
	Display	2 x DP++
	Buttons	1 x Reset Button
	USB	1 x USB 3.1 Type C 1 x USB 3.1 Type A 2 x USB 2.0 Type A
	Audio	3.5mm jack, Line out and Microphone
WATCHDOG TIMER	Output & Interval	System Reset, Programmable via Software from 1 to 255 Seconds
POWER	Type	5V/15W
	Connector	USB Type C or RJ45 (PoE PD)
OS SUPPORT	OS Support (UEFI Only)	Window 10 IoT Enterprise LTSC Linux
ENVIRONMENT	Operating Temperature	0 to 50°C
	Storage Temperature	-20 to 70°C
	Relative Humidity	-20 to 80% RH (non-condensing)
MECHANISM	Construction	Aluminum + Metal
	Mounting	Wall Mount
	Dimensions (W x H x D)	83mm x 47mm x 62mm
	Weight	300g
STANDARDS AND CERTIFICATIONS	Certifications	CE, FCC class B (ongoing)