

GDT226SILII

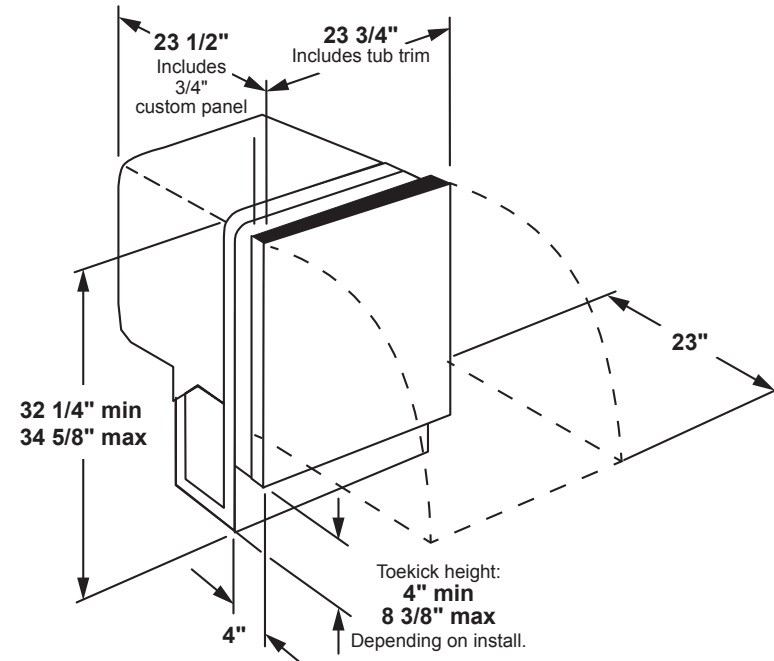
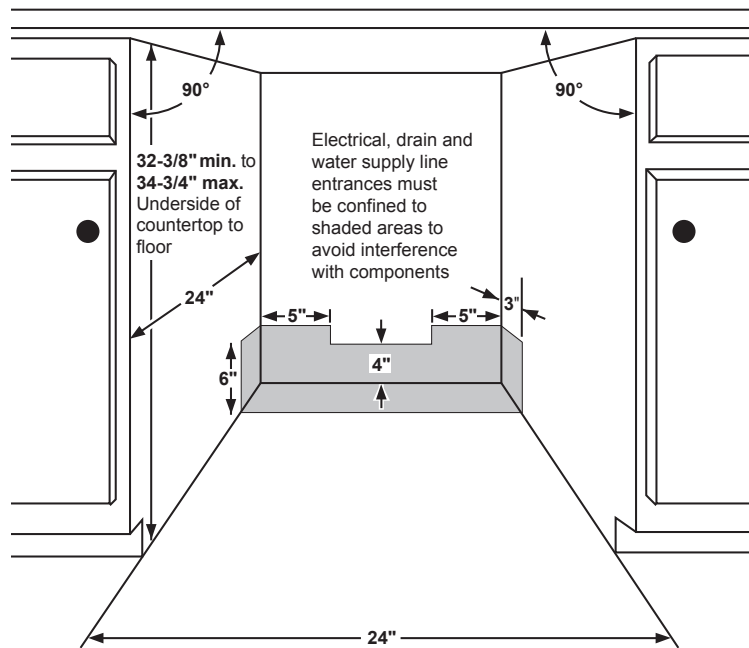
GE® ADA Compliant Stainless Steel Interior Dishwasher with Sanitize Cycle

DIMENSIONS AND INSTALLATION INFORMATION (IN INCHES)

ELECTRICAL RATING

Voltage AC.....	120
Hertz.....	60
Total connected load amperage.....	8.9

For use on adequately wired 120-volt, 15-amp circuit having 2-wire service with a separate ground wire. This appliance must be grounded for safe operation.



For answers to your Monogram, GE Café™, GE Profile™ or GE Appliances product questions, visit our website at geappliances.com or call GE Answer Center® Service, 800.626.2000.



Listed by Underwriters Laboratories



As an ENERGY STAR® partner, GE has determined that this product meets the ENERGY STAR guidelines for energy efficiency.

GDT226SILII

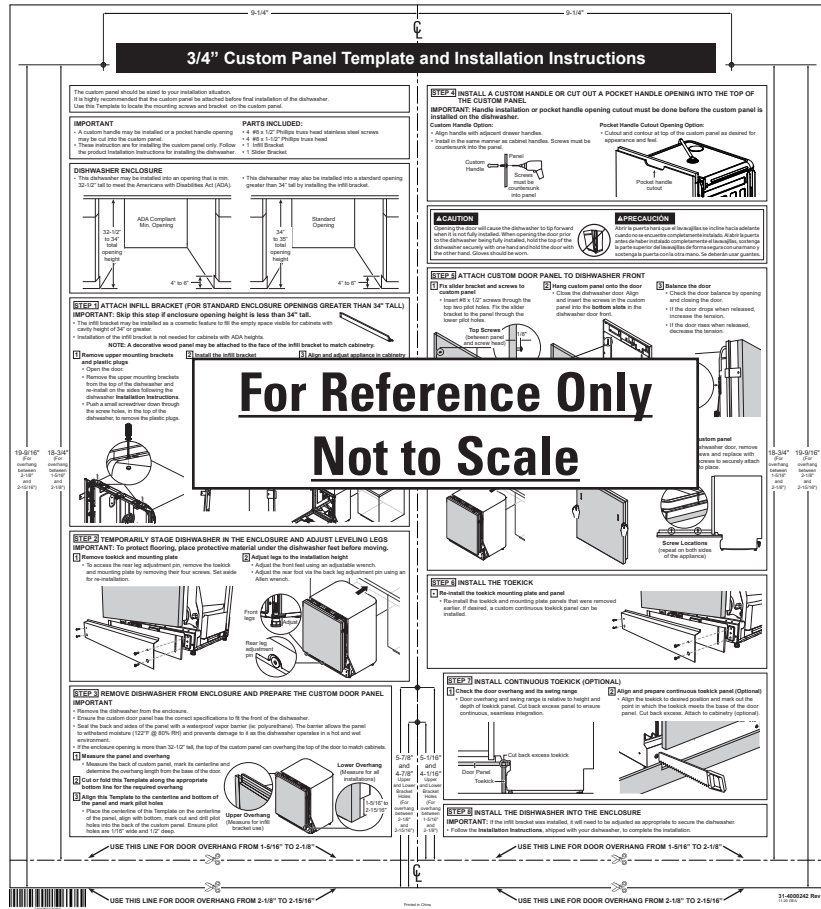
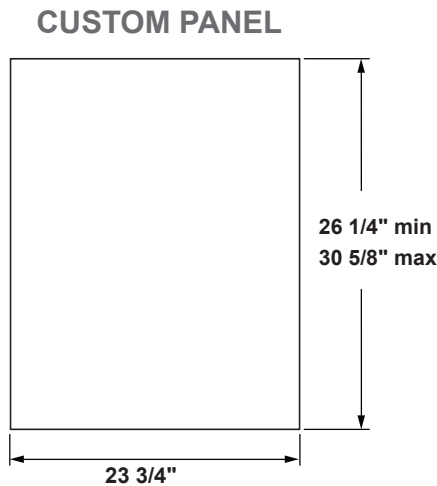
GE® ADA Compliant Stainless Steel Interior Dishwasher with Sanitize Cycle

DIMENSIONS AND INSTALLATION INFORMATION (IN INCHES)

All units ship with complete full-size panel template. The template can be ordered from parts - WD02X29298.

IMPORTANT: TO ENSURE OPTIMUM DOOR BALANCE PERFORMANCE, THE CUSTOM PANEL MUST NOT WEIGH MORE THAN 17.6 LBS.

A custom handle must be installed onto the custom panel.



For answers to your Monogram, GE Cafe™, GE Profile™ or GE Appliances product questions, visit our website at geappliances.com or call GE Answer Center® Service, 800.626.2000.

GDT226SILII

GE® ADA Compliant Stainless Steel Interior Dishwasher with Sanitize Cycle

FEATURES AND BENEFITS

ADA Compliant with Low-Profile Installation – Great for 34" counter top heights and raised subfloors

3-Level Wash – Expect exceptionally clean table-ready dishes with powerful wash arms

Autosense Cycle – A beam of light measures soil levels and water temperature to adjust to the ideal cycle time

Piranha™ hard food disposer with removable filter – To ensure consistently clean items, this stainless steel blade rotates at 3,600 RPM to pulverize food particles and helps to prevent large particles from clogging the wash arms

Sanitize option (NSF Certified) – High-temperature rinse sanitizes and reduces by 99.999% the bacteria found on dishes

dBA 51

Model GDT226SILII – Custom panel

Additional ADA 24" Models – GDT226SGLBB; GDT226SGLWW; GDT226SSLSS; GDT225SGLBB; GDT225SGLWW; GDT225SSLSS

