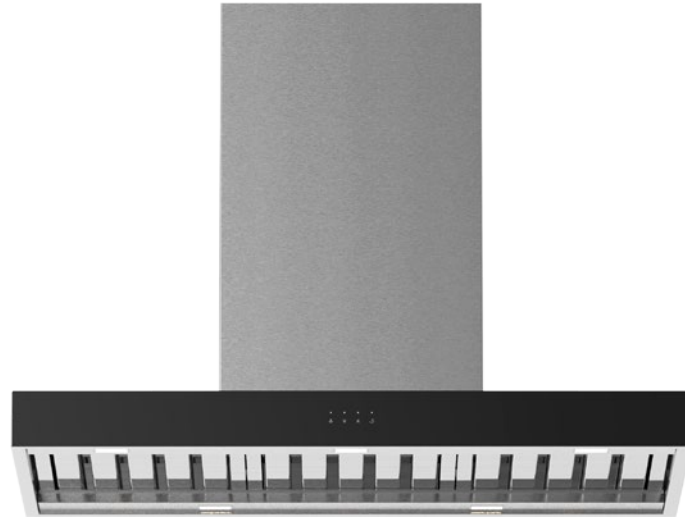




PROUDLY AUSTRALIAN OWNED
DESIGNED & ASSEMBLED IN MELBOURNE



PREMIUM GERMAN MADE
MOTOR SYSTEMS



Product Detail

| | |
|-----------------------------|--|
| Model Number | X5R09S |
| Hood Mounting | Wall Mounted Canopy |
| Cooking Coverage | Suits 75cm - 100cm Cooking Surfaces |
| Filtration | S-Flow Baffle Filters 3x (H-25) - Dishwasher Safe |
| Lighting | LED 5x (Warm White 1.0W) - Front & Rear Panels |
| Finish | AISI304 1.0mm Food-Grade Stainless Steel with Black Glass Fascia |
| Chassis | Triple Layer - Insulated with Sound Deadening Foam |
| Controls | LED Backlit 4 Button <i>mastermind</i> Touch Control with LED Speed Indicator |
| Speed Settings | 3 Speed + Boost Mode |
| Timer Function | Programmable Timer (10min Increments) Auto fan shut off after 2-hours of inactivity |
| Outlet | Top or Back Duct Outlet |
| Ducting (Remote) | Dia. 200mm Acoustic Flexi Ducting - Five (5) Meter Length (Supplied) |
| Ducting (On Board) | Optional On Board Motor Ducting Kits Available Ultra Motor - Dia. 200mm (Recommended) Power Motor - Dia. 150mm (Recommended) |
| Hood Width | 900mm |
| Hood Depth | 500mm |
| Hood Height (Fascia) | 75mm |
| Installation Height | 700 - 750mm* (Recommended) 600mm* (Minimum) <small>* Clearance above the highest point of the cooktop to the underside of hood</small> |



Filtration Zone



Whispair Endurance Warranty



5 YEAR WARRANTY
ON FINISHES AND MOTOR



10 YEAR WARRANTY
ON REPLACEMENT PARTS AND MOTOR



LIFETIME
REPLACEMENT PARTS WARRANTY

Your Hood. Your Colour. Your Way.

Available Finishes (Stainless Steel Finish Standard)



Stainless Steel

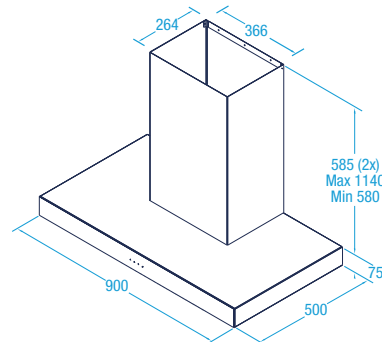


Satin Black*



Custom*

Dimensioned Drawing



Available Models - Select Your Motor Solution & Optional Finish

On Board

| | |
|--|----------------|
| X5R09S5.OP (/T or /B) Power 1,020m ³ /hr (Top or Back Ducted) | SPL: 53.9dB(A) |
| X5R09S6.OU (/T or /B) Ultra 1,680m ³ /hr (Top or Back Ducted) | SPL: 56.5dB(A) |

Remote External (Roof or Wall Mounted)

| | |
|--|-----------------------------------|
| X5R09S5.EL Lite 800m ³ /hr | SPL: 39.3dB(A) In / 52.7dB(A) Out |
| X5R09S5.EP Pro 1,140m ³ /hr | SPL: 49.6dB(A) In / 58.5dB(A) Out |
| X5R09S5.EPP Pro Plus 2,010m ³ /hr | SPL: 56.6dB(A) In / 62.8dB(A) Out |

Remote Inline (Through Wall or Eave)

| | |
|--|-----------------------------------|
| X5R09S5.IL Lite 800m ³ /hr | SPL: 39.3dB(A) In / 52.7dB(A) Out |
| X5R09S5.IP Pro 1,140m ³ /hr | SPL: 49.6dB(A) In / 58.5dB(A) Out |

*Your Hood. Your Colour. Your Way. (Optional Wall Mounted Canopy Finish)**

| | |
|----------|------------------------------|
| X1P5.BL | Paint Finish - Satin Black |
| X1P5.CUS | Paint Finish - Custom Colour |

*Additional charges apply

SPL - Nominal Sound Pressure Level on Boost (Max) Speed