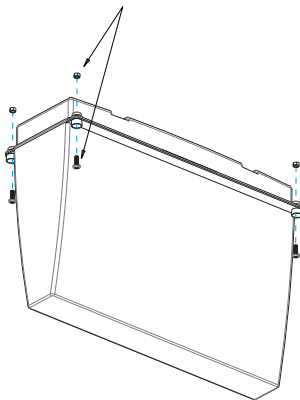
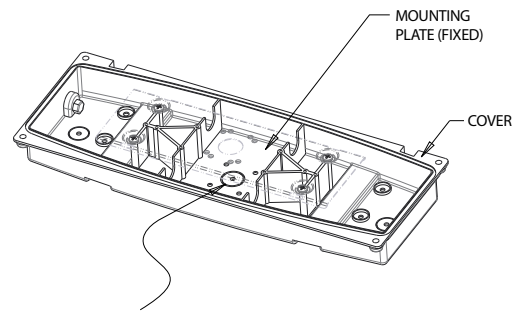


1 To open the Enclosure

Use a screwdriver to remove the screws and nuts (x4)



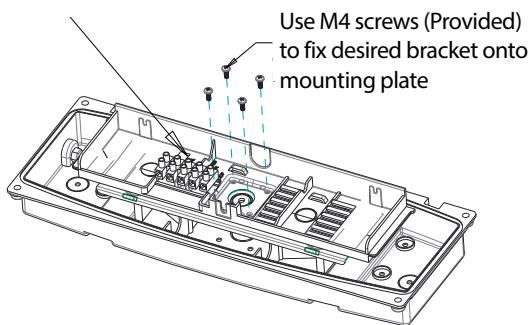
2 Preparation for wiring



Drill cable entry hole on to cover depending on mounting position (mounting plate should not be removed from cover)

3 Preparation to mount Bracket

Ensure mains wiring to terminal as per product instructions

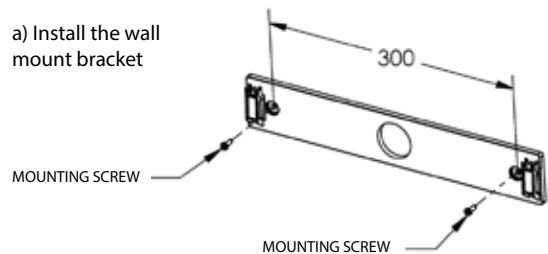


Note: Position of the bracket is to be determined by the EXIT Direction at the stage

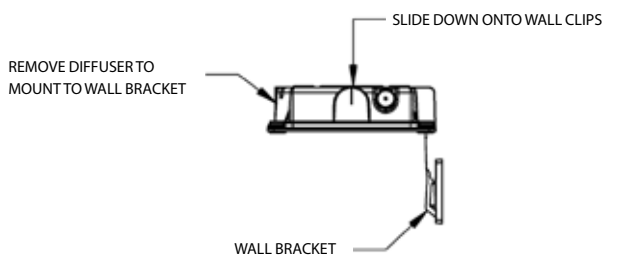
4 Installation options

Wall mount:

a) Install the wall mount bracket

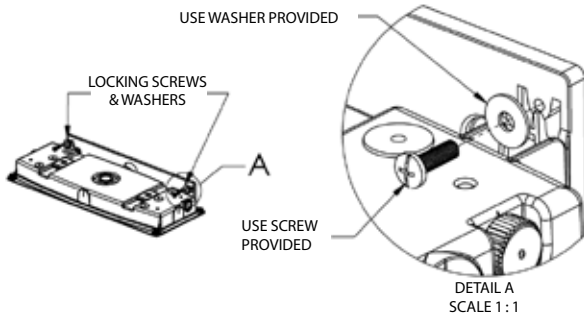


b) Slide the base over the wall bracket



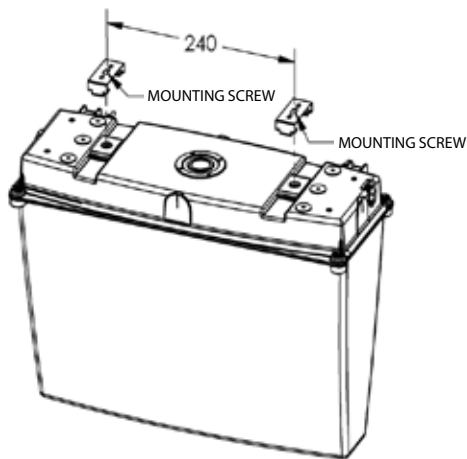
4 Installation options

c) Secure the base to the wall bracket



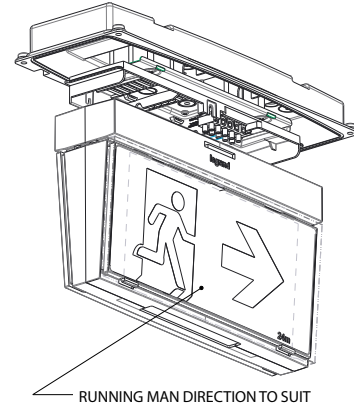
Ceiling mount:

Secure the ceiling clips to the surface and clip onto the base



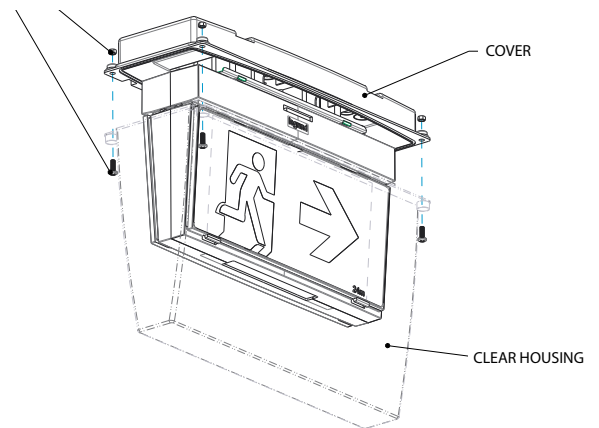
5 Mount the body to bracket

Install the exit sign onto the bracket



6 Close the enclosure

Fix the Hexagon nuts (4X) into pocket of the cover and then fix the clear housing onto cover with provided screws (4X) to 0.5 Nm



Disclaimer:

Please review these instructions carefully before installing or maintaining this equipment. This information should be used as a guide only. Good electrical practise should be followed at all times when installing an electrical device within this enclosure. Please note that lamp wattages should not exceed 3 watts. Application of the IP65 weatherproof enclosure is designed to enclose an exit sign or emergency luminaire. The unit is supplied completed with a wall bracket and ceiling mount clips to enable quick installation without the need to perforate the housing. It is also fitted with an IP rated breather to equalise the internal temperature with the ambient to avoid the build-up of condensation inside. A gland is supplied to suit round flexible cable.

Warranty

Legrand Australia Pty Ltd guarantees this unit for a period of 12 months from date of despatch, solely against failure arising from faulty materials or workmanship, and provided that the unit has been stored, shipped, installed, used and maintained in accordance with the manufacturers instructions and relevant standards. Misuse, negligence or modification of the unit voids all warranties. Consult Legrand Australia Pty Ltd Conditions of Sale for details on warranty liability. If this unit is faulty, return the unit freight pre-paid to your point of purchase, or contact Legrand Australia Pty Ltd on 1300 369 777.

Customer Service

For all Customer Service and Technical Support enquires please call Monday to Friday during business hours.

Legrand Australia
1300 369 777
www.legrand.com.au

Legrand New Zealand
0800 476 009
www.legrand.co.nz

ABN: 31 000 102 661