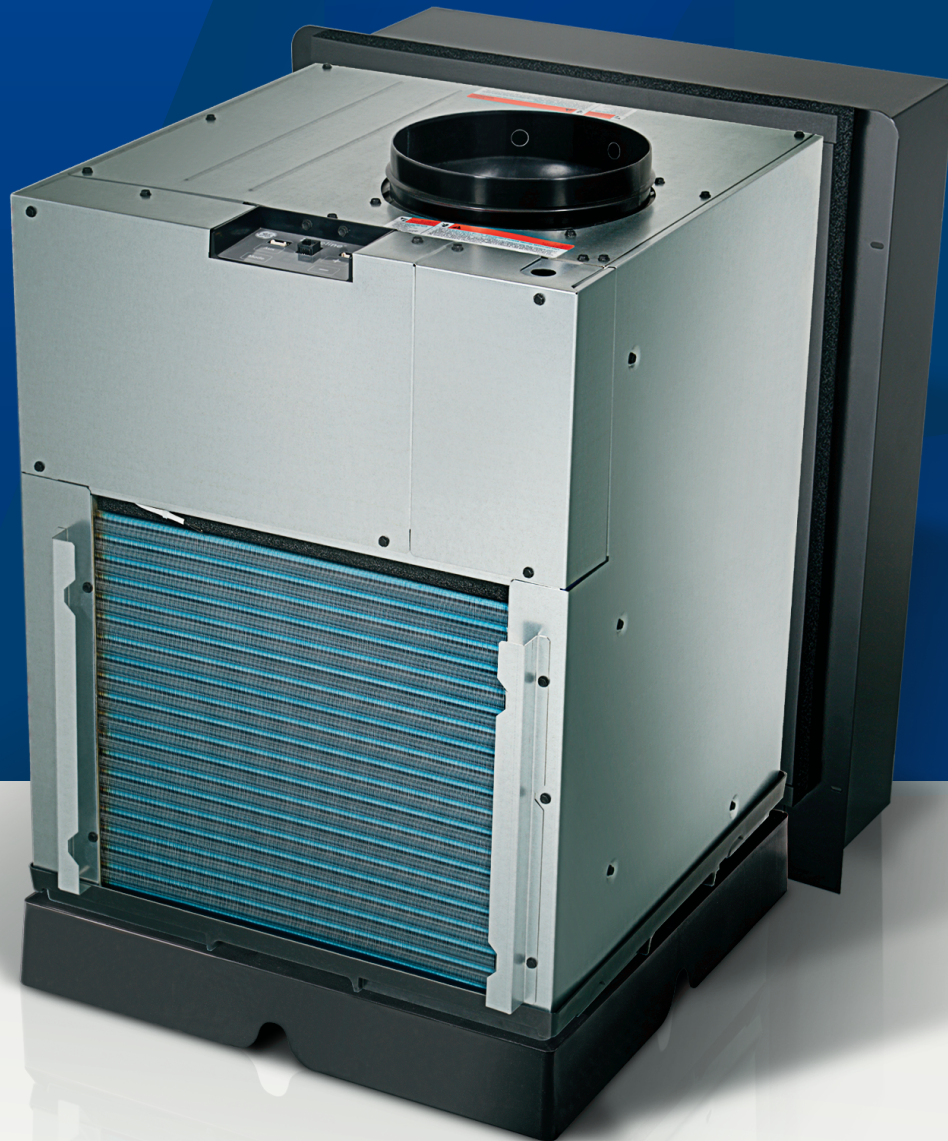


INTRODUCING THE
ZONELINE[®] UltimateV10[™]

ARCHITECTS & ENGINEERS DATA MANUAL



10 innovative features that create the ultimate owner,
guest and installer experience.



GE APPLIANCES

INTRODUCING THE
ZONELINE® UltimateV10™

Designed, engineered and assembled in the U.S., Zoneline UltimateV10 units provide unrivaled reliability, consistent performance and constant guest comfort.



1 INSTA-PLATFORM™

2 SELF-CONTAINED DRAINAGE SYSTEM

3 FAST-CONNECT PLUMBING

4 SELF-ALIGNING, LOCK-IN-PLACE SYSTEM

5 QUICK-INSTALL PLENUM

6 ULTRA-QUIET

7 REVERSE CYCLE DEFROST

8 PREMIUM GUARD SEACOAST PROTECTION

9 ONBOARD DIAGNOSTICS

10 SmartHQ™ WIFI CAPABILITY

FEATURES & BENEFITS

EXCELLENT EFFICIENCY AND DEHUMIDIFICATION

GE Appliances recognizes the importance of energy efficiency and dehumidification in an air conditioning system and uses EER (Energy Efficiency Rating) as the required means of reporting the relative cooling efficiency of the unit.

The measurement of the efficiency of the heat pump output, when compared to electric resistance heat, is called the Coefficient of Performance (COP). The GE Zoneline® single packaged vertical heat pump has outstanding COP ratings. This number provides a basis not only for comparing the heat pump output to electric resistance heat, but also the ability to directly compare heat pumps within the same range of capacity to one another.

PERMANENTLY LUBRICATED FAN MOTORS

The Zoneline Vertical chassis has two permanently lubricated, totally enclosed fan motors. The motors are permanently lubricated to reduce maintenance, and totally enclosed to keep dirt and water out of the motor windings.

CENTRAL DESK CONTROL (CDC)

AZ95 units are compatible with simple on/off two-wire Central Desk Control (CDC) systems. The unit utilizes a 3-pin port to interface such a system. This requires the separate purchase of the RAKCDC connector accessory. The most common installation of this type of system is a switch mounted at the registration desk; and, upon guest check-in, the switch is activated to allow the air conditioner to operate.

Likewise, when the guest checks out, the device is switched to the "OFF" setting so the unit will not operate when the room is not rented.

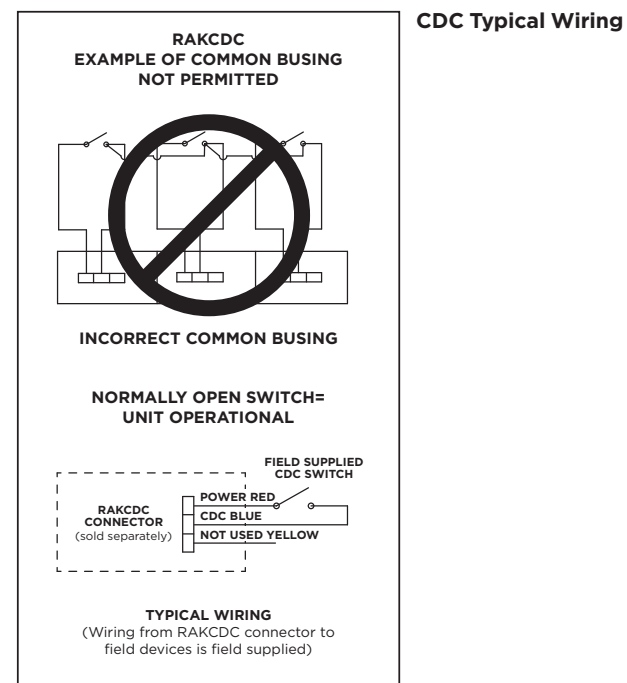
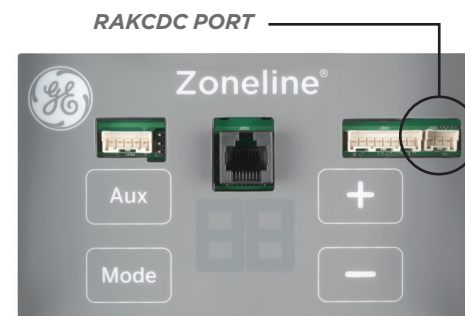
In some resort areas, this feature is usually used with a normally open switch connected to sliding glass doors, and opening the doors causes a contact to close, turning the air conditioner off. This prevents the unit from running and wasting energy with the sliding glass door open.

IMPORTANT CDC NOTES:

1. The unit requires the use of a normally open switch. Closing the circuit shuts off the system.
2. Both wires comprising the circuit must connect to the CDC terminals on the unit and to the controlling switch. Do not use a common buss (at the unit or at the switch panel) in the wiring.
3. A 24-volt transformer is contained within the Zoneline Vertical Unit. No external voltage may be applied to the unit through the CDC terminals.
4. Minimum wire size for CDC wiring:

WIRE SIZE # AWG	MAXIMUM ALLOWABLE LENGTH
#22	600 Ft.
#20	900 Ft.
#18	1,500 Ft.
#16	2,000 Ft.
5. Freeze Sentinel and Heat Sentinel still remain operational when the unit is connected to a CDC system.

CDC PORT LOCATION



FEATURES & BENEFITS

TWO-SPEED INDOOR FAN MOTOR FOR SELECTABLE HIGH AND LOW SPEEDS

Since the Zoneline Vertical chassis discharge air may be routed through duct work for air distribution into one or more rooms, the units are equipped with a two-speed fan that provides greater air movement to compensate for the additional duct length. GE Appliances recommends an HVAC engineer be consulted to determine the best fan speed for the application.

Higher CFMs tend to increase the operating sound level, both from fan noise and from the air noise in the duct. Higher CFMs also reduce the dehumidification rate of the unit, while lower CFMs provide quieter operation and better dehumidification. However, if the CFMs are not high enough to adequately move the air through the duct system, the unit will not be able to provide a comfortable room.

If the Zoneline Vertical chassis is connected to a wall thermostat without the ability to provide two fan speeds, the fan speed will be determined by connecting the wire controlling the fan to the low speed fan terminal or the high speed fan terminal on the unit.

CORROSION PROTECTION TREATMENT—STANDARD

All Zoneline Vertical chassis are protected against damage from seacoast area corrosion. Components that are in contact with the salt air have special coatings or are made of non-corroding materials to help withstand the corrosive effects of the environment. This protection includes the use of totally enclosed outdoor fan motors with painted casings and a special coating on the outdoor coil to extend the life of the unit in a coastal environment. The base pan is made of durable non-corrosive plastic.

SLINGER RING CONDENSATE REMOVAL

Condensate water removed from the indoor air is dispersed into the air stream by the outdoor fan slinger ring and deposited on the hot outdoor coil. The water helps cool the refrigerant in the outdoor coil and increases the efficiency of the air conditioner, while reducing the condensate draining from the unit.

INDOOR COIL FROST CONTROL

Under certain operating conditions, frost can form on the indoor coil of an air conditioner, reducing air flow and cooling. In order to prevent frost from forming, the Zoneline Vertical chassis has an automatic frost control on the indoor coil. When frost begins to form on the coil, the compressor stops while the indoor fan continues to run, until the coil temperature increases and the frost dissipates.

At that time, the compressor resumes operation and cooling continues. The indoor fan remains running during the time the compressor is off to help warm the coil with room-temperature air.

AUTOMATIC COMPRESSOR RANDOM RESTART

In the event of a power interruption, all compressors attempting to restart immediately when power is restored can result in a power surge that can cause another power failure. The microprocessor in the Zoneline Vertical chassis has a random restart logic system that prevents all compressors from restarting at the same instant.

COMPRESSOR RESTART DELAY

Zoneline Vertical units are designed to provide a minimum of three minutes of compressor off time to allow refrigerant pressures to equalize before attempting to restart. Attempting to restart against a high head pressure shortens compressor and overload protector life.

The units are also designed to provide a minimum of three minutes of compressor run time to prevent short cycling from disturbing the room occupant.

FREEZE SENTINEL

- Detects low room temperature and turns heater on to help protect against damage caused by freezing room temperatures.
- The electric heater turns on at 41°F and warms the room up to 46°F and shuts off.
- Freeze Sentinel may be turned off via the auxiliary control.

HEAT SENTINEL

The property owner may choose to activate the Heat Sentinel feature on the Zoneline unit. If the Heat Sentinel is activated and room temperature reaches 85°F (even when the unit is in the "OFF" mode), the unit will automatically start the air conditioning operation and will shut off when the room temperature reaches 80°F. This will help dehumidify the air and lower high temperatures so the guest will not be entering an extremely hot room.

FEATURES & BENEFITS

HEAT PUMP OPERATION

Heat pumps save money compared to electric resistance heat, but if the unit cannot provide room occupant comfort, the savings may be of questionable benefit. GE Appliances has years of experience with designing Zoneline® heat pumps to solve the problem of guest complaints.

The heat pump unit uses a two-stage heat/one-stage cooling thermostat. Stage one, heat pump operation, will operate as specified by the remote thermostat being used as long as outdoor conditions will allow. If the remote thermostat asks for heat pump heating outside of unit heat pump operating conditions, the heating request will be met by utilizing back-up resistance heat.

The Zoneline Vertical chassis will operate in efficient heat pump mode down to a 25°F outdoor temperature. At temperatures below this, the unit will automatically switch to electric heat.

The resistance heater and the heat pump do not operate simultaneously.

HEAT PUMP LOGIC

The chart below indicates the standard heating source of the AZ95 series heat pump models under various outdoor conditions. The unit is designed to provide heat pump savings without sacrificing room comfort.

Heat Setting Configuration		Outdoor Temperature		
All-Electric Heat Mode (Aux Mode 8)	Heat Boost Mode (Aux Mode 9)	Above 85°F	Between 85°F and 25°F	Below 25°F
OFF	OFF	Full Resistance Heat	Heat Pump	Full Resistance Heat
OFF	ON	Full Resistance Heat	Heat Pump + Supplemental Heater*	Full Resistance Heat
ON	OFF/ON	Full Resistance Heat	Full Resistance Heat	Full Resistance Heat

Conditions are representative of unit response but not intended for minimum rated ambient conditions

*Simultaneous supplemental heat (Boost Heat): 1.0kW @ 230V & 265V; 0.8kW @ 208V

QUICK HEAT RECOVERY

Unit software will provide electric resistance heating as the first heat cycle following the unit having been set to either off or cool on the remote thermostat. This ensures occupant comfort by quickly reaching the desired setpoint temperature. All subsequent heating cycles will follow heat staging as dictated by the remote thermostat if required outdoor temperature conditions are met. Quick heat recovery is not influenced by heat pump logic.

HEAT PUMP DEFROST

Zoneline heat pumps utilize a reverse-cycle, demand-defrost system to extend heat pump operation and increase savings from extended operation. The microprocessor determines the need for defrosting from criteria based on continuous compressor running time, outdoor air temperature and outdoor coil temperature. When defrosting is required, the unit reverses the flow of refrigerant to direct the hot gas into the outdoor coil to melt the frost buildup.

Before and after the reverse-cycle defrost, the unit shuts off the compressor to allow the refrigerant pressures to equalize through the system. During these periods of pressure equalization, the full resistance heat capacity of the unit is activated to help ensure room comfort conditions during the defrost cycle. The unit remains in the defrost cycle for a minimum of three minutes and up to a maximum of nine minutes. The defrost cycle terminates when the outdoor coil reaches a temperature of 68°F or the maximum time has been reached.

BOOST HEAT

The AZ95 series offers a Boost Heat option feature that utilizes partial supplemental resistance heat at the same time as the heat pump operation. The Boost Heat feature changes stage one heating (heat pump) to be heat pump with partial resistance heat. Stage two heating stays as full resistance heat.

NOTE: Heat Pump and full resistance heat shall never be on at the same time.

ELECTRONIC CONTROL DIAGNOSTICS/ SERVICE MODE

The Zoneline Vertical system continuously monitors the unit operation and in some cases the unit may take action and shut down until conditions are corrected. The electronic control will store/provide Error Codes to aid in diagnosis and correction to get the unit up and running quickly.

In addition to Error Codes, the unit is equipped with Service Modes that allow for independent testing of unit functionality. This allows for fan, heat, cool operations among other checks to be “forced” without signals from the remote thermostat or unit temperature sensors. This is a valuable tool that helps pinpoint operational problems and also helps distinguish unit malfunction from problems caused by remote thermostat.

See the product Use & Care/Mini-Manual for specifics on Error Codes, Service Modes, and how to use the system.

COMPONENTS & INSTALLATION

Each Zoneline single packaged vertical unit requires a drain platform, wall plenum, exterior grille, unit, remote thermostat, power connection kit, return air grille/access panel, filter, ductwork and supply registers.

The drain platform legs, ductwork and supply registers are field supplied. Each of the other components is ordered separately. The drain platform, wall plenum and exterior grille are specifically designed to interface with the GE Appliances Zoneline Vertical chassis and must be purchased from the same source as the unit. Custom exterior grilles may be used but must comply with the requirements shown on page 10.

The remote thermostat and the return air grille are offered as accessories by GE Appliances, but may be purchased from a source other than GE Appliances. If a non-GE Appliances thermostat is being used, it should meet the general thermostat requirements mentioned on page 12. Any custom return air grille being used should offer a louvered area as large as the GE Appliances offering or larger.

WALL PLENUM

Since the unit itself does not install in the wall opening, the use of a plenum is necessary to contain and separate the outdoor air paths. The plenum must be able to hold



water in the bottom without leaking into the wall cavity. It also must have a “splitter” to separate the outdoor air paths and prevent the discharge air from being drawn back into the unit.

The wall plenum is the first component to be installed. GE Appliances model RAVWPT15 is available for use with wall thicknesses of 8” to 15”.

The plenum is to be installed square and level in the opening and secured to the wall construction with screws or nails in the sides located a minimum of 2” up from the bottom of the plenum. No nails or screws may be used in the bottom or top of the plenum to prevent water entering the wall cavity.

The plenum is not load bearing, so a proper header needs to be installed above the plenum the same as over any window opening in the wall. If the building construction is brick, concrete block or other non-self-supporting material, a lintel must be installed over the plenum opening. The plenum must be caulked to the wall, both to the outdoor wall face and to the interior wall, along all four sides to prevent air and water infiltration.

WALL PLENUM MODELS:

RAVWPT15-For installations with walls 8” to 15” thick.

REPLACEMENT OF OLDER GE VERTICAL PRODUCT

When replacing a previous model GE Appliances vertical unit with a new AZ95 series vertical air conditioner, one of three transition plenums must be used.

Differences in chassis designs between the prior models and AZ95 series require careful installation and planning. Changes in drain exit locations, drain routing, electrical connections, platform height, conditioned air duct location and additional space requirements for installation of a transition kit are all items that need to be considered when replacing a prior model with an AZ95 series unit.

The selection of the appropriate transition kit is based on the original wall plenum being used. If a RAVTRANS kit is already being used to transition an original wall plenum to an AZ90/91 series, it will need to be removed and a RAVTRANS2 kit will need to be installed prior to installing an AZ95 series unit. Please reference the following chart to determine which transition kit is needed. Before starting the conversion, be sure there is adequate closet space to meet the manufacturer’s recommend minimum clearance requirements.

Transition Kit Model	Transition From	Additional Closet Clearance For Kit
RAVTRANS2	AZ75/85 Series (used a beige color plenum)	1.5”
RAVTRANS3	AZ90/91 Series RAVWPT8 plenum ONLY (black, 5.5”-8” deep)	N/A
RAVTRANS4	AZ90/91 Series RAVWPT14 plenum ONLY (black, 8”-14” deep)	N/A

NOTE: For AZ90/91 model replacement, make sure no existing RAVTRANS kit is being used. If so, discard and use RAVTRANS2

INSTA-PLATFORM™

The AZ95 series requires the use of a separate drain platform accessory (RAVDPLAT). This accessory supports the chassis and positions it properly to seal to the wall plenum. Also, it serves as the drain pan for the chassis with connections for both a primary and secondary drain. This innovative accessory saves time and money by eliminating the need for field-fabricated support platforms. It also greatly simplifies chassis removal from the closet because the plumbing connections are made to the platform as opposed to the chassis itself.

The drain platform height is determined based on the position of the RAVWPT15 wall plenum. The bottom edge of the drain platform is flush with the bottom edge of the wall plenum. Technically, the bottom edge could be set to floor level, but that would likely make connecting to a building drain system difficult. In most installations, it will be desired to raise the platform several inches off the floor. This can easily be done using 2”x4” lumber cut to length and positioned in the integrated support pockets of the RAVDPLAT. Only two support legs are needed as the exterior side is supported by the wall plenum.

The primary drain can be directed out either side or the front of the drain platform through sidewall notches in the platform. If the platform is elevated for drainpipe clearance below, the primary drain can run any direction desired. The secondary drain is to be piped through the wall plenum to the exterior of the building.

For further detail, please see the RAVDPLAT Installation Instructions.



ESSENTIAL PARTS AND ACCESSORIES

These essential accessories and components are integral to installation and required for satisfactory performance over a wide range of operating conditions.



ESSENTIAL COMPONENTS

- Insta-Platform™ (RAVDPLAT)
- Wall plenum
- Exterior grille
- Chassis
- Drain connections (field supplied)
- Remote thermostat
- Return air grille
- Ductwork (field supplied)
- Supply register (field supplied)
- Access panel or door
- Insta-Platform legs (field supplied)
- Power Connection Kit

IMPORTANT NOTICE

Equipment used as a primary source for heating or cooling is an integral part of the building in which it is installed. Proper application is essential for satisfactory performance over a wide range of operating conditions. It is strongly recommended that a professional engineer determine proper application.

If this unit is a replacement unit, its specifications and performance may differ from those of the unit it is replacing. For that reason, we again strongly recommend that a professional engineer determine proper application.

COMPONENTS & INSTALLATION

STANDARD SIZE AIR FILTER

A number of filters, providing varying degrees of filtering efficiency, are available on the market today. GE Appliances has designed the Zonline® Vertical chassis to accommodate a number of filter placement options. The filter provided with the unit is a standard size 18" W x 20" H x 1" D filter.

The unit must not be operated without a filter in place, even during construction.

GE Appliances provides three filter placement options for design and installation flexibility. Filter brackets are provided on the front of the Zonline vertical unit chassis (18" x 20" x 1"), which allow for the filter to be directly mounted to the unit.

An access panel, accessory model number RAVRG4, for the closet enclosure is the second filter placement option (20" x 24" x 1 to 2"). The access panel requires a cutout in the unit closet enclosure wall and provides access to the unit for servicing and removal. The access panel should be located in the wall such that the centerline of the access panel matches the centerline of the chassis. The bottom of the access panel should be at least 1" below the top edge of the drain platform to allow for easy removal of the Zonline Vertical unit.

The third filter placement option is incorporated in return air grille RAVRG2. A 20" x 20" x 1" filter fits inside the grille. The RAVRG2 can be installed in a solid closet access door or in a closet side wall. A 20-3/8" x 20-3/8" cutout in the closet wall or door is required to install this option.

A different size filter may also be used in a field-supplied frame installed in a return air grille mounted in the closet enclosure door or wall.

Only one filter is to be used in the installation. Multiple filters will reduce the air flow and affect unit performance. A clean filter is essential to efficient unit operation.

The filter should be checked at least every 30 days and replaced if dirty.



EXTERIOR GRILLE

The architectural louver exterior grille is mounted to the exterior of the plenum and held in place with four screws inserted from inside enclosure closet. The grille is designed specifically for use with the Zonline Vertical chassis, and **the use of any other grille must be approved by GE Appliances Air Conditioning Applications Engineering.**

OUTDOOR CLEARANCES

Since the GE Zonline Vertical chassis is an air exchange system, it is critical that the exterior grille, which provides both intake and exhaust, not be covered or impeded in any way.

Small or minor obstacles, such as poles or small shrubs, should be a minimum of two feet away (radius in all directions). Larger obstructions, such as a solid fence/wall and heat-generating sources, like a condensing unit, should be kept away a minimum distance of six feet.

EXTERIOR ARCHITECTURAL TREATMENTS AND SPECIAL OUTDOOR GRILLES

The architectural design of a building may dictate the use of special or oversized louvers for aesthetic reasons. Louvers other than standard Zonline exterior grilles may be used on the Zonline unit; however, these special louvers, or any special exterior architectural treatments of the building facade that may restrict the free circulation of condenser airflow, should be referred to GE Appliances Application Engineering for evaluation and approval. The following guidelines should be followed in selecting a louver:

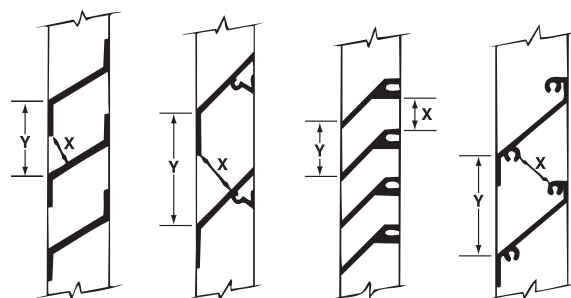
1. The louver must have a minimum of 65% free area. ASHRAE defines "free area" as the minimum area of the opening in an air inlet or outlet through which air can pass. Percent (%) free area equals the X dimension divided by the Y dimension. (See examples below).
2. The louver should be attached to the wall case in a manner that will prevent recirculation of condenser discharge air into the air inlet. If the louver is not attached directly to the wall case, a field-supplied splitter or gasket is required between the chassis and the louver to prevent recirculation.

It is important that the above criteria be followed since a louver that is too restrictive or allows recirculation will reduce the unit's capacity and efficiency, increase the electrical current draw, cause intermittent operation due to the compressor overload protector shutting the compressor off, and cause failure of the compressor overload protector and shorten compressor life. Using the unit with a grille that is too restrictive or allows recirculation may constitute improper installation and will void the unit's warranty. Since the Zonline unit complies with Underwriters Laboratories® requirements, it may be necessary to send a full-size sample louver section to an independent lab to be tested with the Zonline unit.

SAMPLE CALCULATIONS

$$\text{Free Area (\%)} = \frac{X}{Y} \times 100 \quad x = 1" \quad y = 1.5"$$

$$\text{F.A. \%} = \frac{1}{1.5} \times 100 = 66.7\%$$



COMPONENTS & INSTALLATION



UNIT AND INSTALLATION NOTES

The unit is a one-piece package system that fits directly into a closet enclosure. Once the drain Insta-Platform™ (RAVDPLAT) has been installed, the chassis can be positioned on the drain platform and pushed towards the exterior wall. The chassis will drop down slightly into the platform, securing it in place and engaging the gasket on the wall plenum (RAVWPT15). Power, thermostat, and duct connections can then be made.

A 10"-diameter flange on the top of the unit is used to connect to field-supplied, insulated, flexible or rigid transition duct with an adjustable ring clamp.

Flexible duct may be used for transitions only. Rigid duct must be used for 90-degree bends and tees. Do not use flexible duct for unsupported runs of five feet or more.

POWER CONNECTION KIT

All AZ95 series vertical units are equipped with universal heaters that are capable of different heater outputs. Heater output is determined by which unique direct connect power kit is being used. This increases the flexibility of a chassis where various heating requirements may need to be met at a site. This power connection is the only means of supplying power to the AZ95 chassis. Please reference the chart on page 18 to determine the appropriate power connection kit for your project.

RETURN AIR GRILLE, ACCESS PANEL OR LOUVERED CLOSET DOOR

The return air from the room to the unit may enter the closet through one of four ways.

A louvered door may be installed on the closet to allow return air to enter. When a louvered door is used, the filter would be installed in the filter bracket on the front panel of the unit.

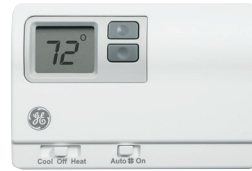
A wall-mounted access panel may be used instead of a louvered door. The return air is through the access panel, model RAVRG4, which requires a 28-1/8" W x 55-7/8" H cutout in the wall, and there is a filter bracket behind the grille louvers.

A return air grille, model RAVRG2, may also be used and is designed to be installed in a 20-3/8" by 20-3/8" cutout in a flush closet door or closet sidewall. In this installation, a filter can fit into the bracket in the RAVRG2.

A field-supplied return air grille, with a minimum dimension of 20" W x 20" H, may be used if mounted in a cutout in the door or wall. When employing this method for return air, the filter is installed in the bracket mounted on the unit.



COMPONENTS & INSTALLATION

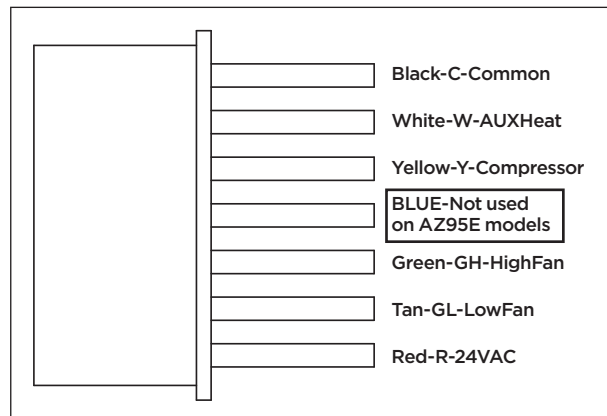


REMOTE THERMOSTAT

Zoneline® Vertical units are controlled by a wall-mounted thermostat. GE Appliances offers a complete line of thermostats to interface with the units, or most 24-VAC thermostats may be used.

Low-voltage wiring connections are made to the 8-pin harness included with each unit. This harness allows for a single-point thermostat connection to simplify chassis removal and reinstallation. See diagram below for terminal designations.

THERMOSTAT WIRING DIAGRAM



Thermostat Harness

If a non-GE Appliances thermostat is used, the compatibility of the thermostat with the unit is the responsibility of the installer. The unit has an integral transformer, and no external voltage or transformer may be used.

Maximum wiring length and wire size: AWG 18 up to 66 feet; AWG 20 up to 66 feet; AWG 24 up to 40 feet.



ENERGY MANAGEMENT

GE Appliances also offers the RAK180W1 universal thermostat that provides occupancy-sensing energy management.

The thermostat works on single-stage or two-stage heating systems and operates on a DC or AC signal.

The energy management setup can work on a room-by-room basis or it can be upgraded with a network controller for full site management.

Power to the thermostat can be via batteries or a two-wire connection from the Zoneline Vertical chassis. Command control signals are all conducted via wireless communication.

For proper wireless communication, the transmitter control card must be located on top of the Zoneline Vertical chassis and NOT inside the metal cover.

DUCTWORK & SUPPLY REGISTERS—FIELD SUPPLIED

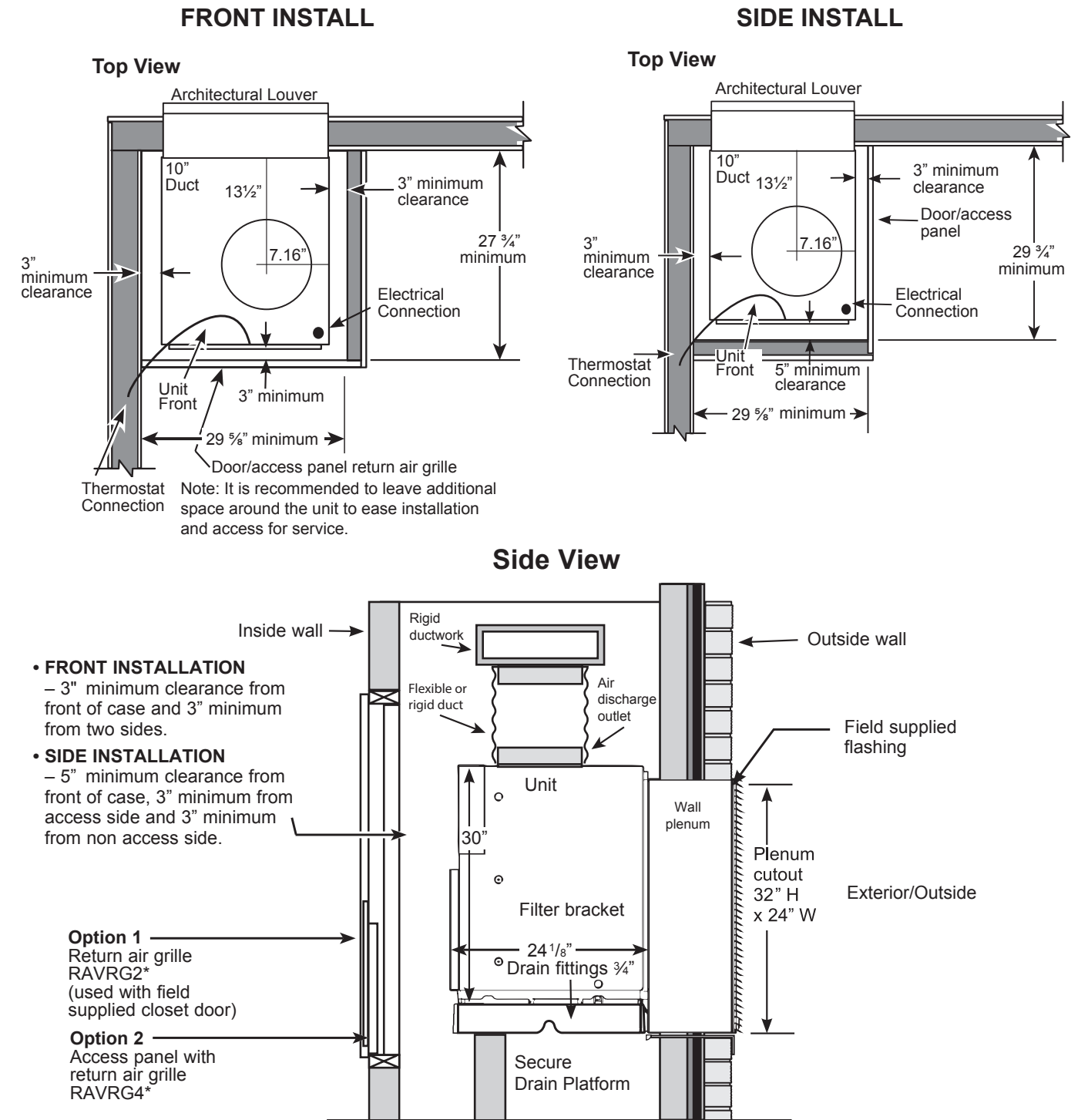
Ductwork and supply registers are mentioned here as System Essential Components, because they are necessary to complete the installation. These components are field supplied per the HVAC engineer's design.

ELECTRICAL INFORMATION—GENERAL

Zoneline Single Packaged Vertical air conditioners are to be connected to a single-phase 60 hertz power source. Units with the voltage designator "D" in the 8th character of the model number may be operated on either nominal 230-volt or 208-volt power. Units with the voltage designator "E" in the 8th character of the model number are to be operated on nominal 265-volt power (A.K.A. 277-volt power). For all installations, feeder, sub-feeder, branch circuit and electrical protective devices must conform to all local codes. In the absence of a local code, the National Electrical Code should be followed.

Each unit should be installed on a single branch circuit. More than one unit per branch circuit is not recommended. All wiring must conform to local electrical regulations and codes. When in doubt, consult the National Electrical Code.

TYPICAL UTILITY CLOSET AND DIMENSIONS (FOR REFERENCE ONLY)



*All variations beginning with this model number

AVAILABLE ACCESSORIES

- Insta-Platform™—RAVDPLAT
- Architectural Louver—RAVAL3
- Wall Plenum—RAVWPT15—telescopes from 8" to 15"
- Access Panel with Return Air Grille—RAVRG4
- Return Air Grille—RAVRG2
- Wall Thermostat

AUXILIARY CONTROLS

SETTING THE AUXILIARY CONTROL

Auxiliary Controls-Aux Set Button

The electronic control for the unit comes preset from the factory to control the unit how “most” customers would prefer the unit to operate. The presets (called modes or functions) can be modified to accommodate for differences in installation parameters or personal preferences on how the unit should operate and perform.

If the owner modifies the auxiliary controls it is then the owner that is responsible for ensuring the auxiliary controls are set to the desired function.

Modes of the Auxiliary Control

Mode 1 - Not Applicable

Mode 2 - Not Applicable

Mode 3 - Freeze Sentinel/Heat Sentinel

Mode 4 - Constant ON Fan

Mode 5 - Not Applicable

Mode 6 - Not Applicable

Mode 7 - Fan Boost Mode

Mode 8 - All-Electric Heat (AZ95H only)

Mode 9 - Heat Boost (AZ95H only)

To change operating or setup parameters the control must be in AUX Mode. With power applied to the unit, press the AUX SET button until the “AU” appears on the display.

The display will look like this when entering the **AUX** Mode :



While in **AUX** Mode, press the **MODE** button to scroll through the different modes. Continue to press the **MODE** button until the number corresponding to the mode to be modified is showing in the first digit of the display. Once the correct number is displayed, use the +/- buttons to change the second digit of the display for that mode to either “H” for **On** or “L” for **Off** depending on the desired function.

When the selection for a given mode is complete press the **MODE** button to continue setting other auxiliary control functions **OR** press the **AUX SET** button to confirm the selection and exit **AUX SET** mode.

AUXILIARY CONTROLS

SETTING THE AUXILIARY CONTROL

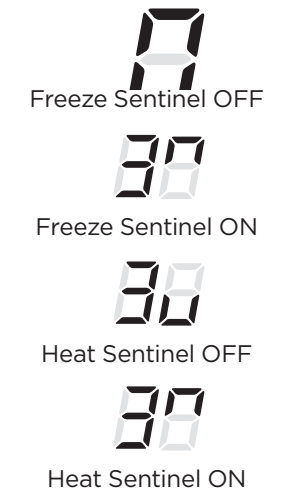
Mode 3 Freeze Sentinel/Heat Sentinel

With power to the unit and **Freeze Sentinel** activated, the unit automatically provides heat without user interface. This prevents potential plumbing damage by turning the heater and indoor fan **ON** at 41°F and then **OFF** once the room temperature reaches 46°F.

When **Heat Sentinel** is activated, the unit automatically provides cooling without user interface. This prevents an excessively hot room by turning the air conditioner **ON** at 85°F and then **OFF** once the room temperature reaches 80°F.

In the default setting for Mode 3, **Heat Sentinel** is off, **Freeze Sentinel** is on.

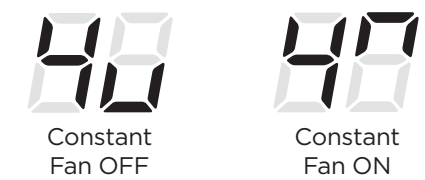
NOTE: Note: Heat Sentinel is the 2nd instance of mode 3.



Mode 4 Constant ON Fan

With Constant Fan activated, the indoor fan will run continuously as long as there is power to the unit. This will override any fan commands provided by the remote thermostat.

The default setting for Mode 4 is **OFF**.



Mode 7 Fan Boost Mode

This setting is used when the unit is installed with more restrictive ductwork where additional airflow is needed. See airflow table located in the Owner’s Manual. This increases the fan speed to ensure proper circulation.

The default setting for Mode 7 is **OFF**.



Mode 8 All-Electric Heat (AZ95H only)

This electric heat option functions only on the **AZ95** model. When this option is ON “H,” heat pump operation is locked out, causing the unit to provide only electric resistance heat.

The default setting for Mode 8 is **OFF**.



Mode 9 Heat Boost (AZ95H only)

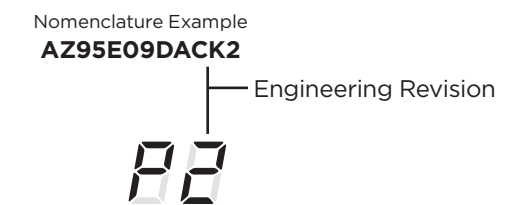
When Heat Boost is ON and outside temperatures are between 25°F and 46°F, supplementary electric heat to the heat pump operation to help maintain a consistent, comfortable room temperature.

The default setting for Mode 9 is **OFF**.

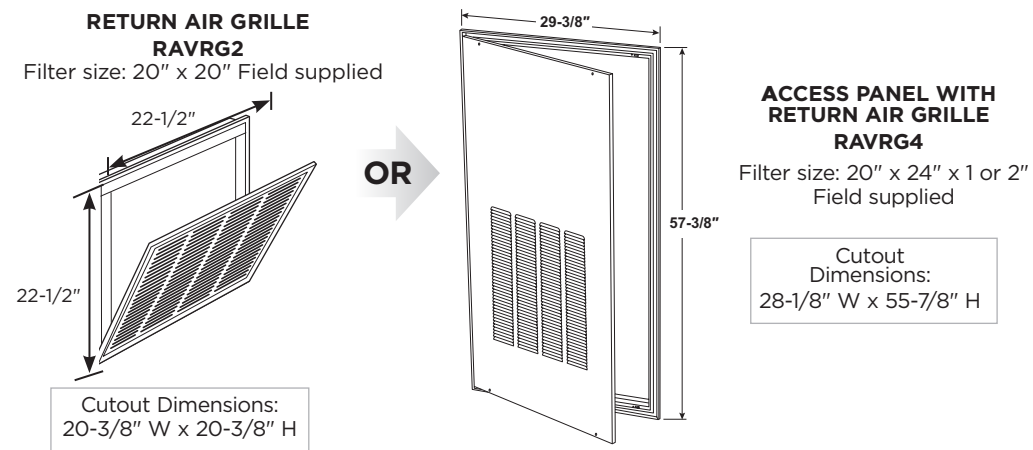
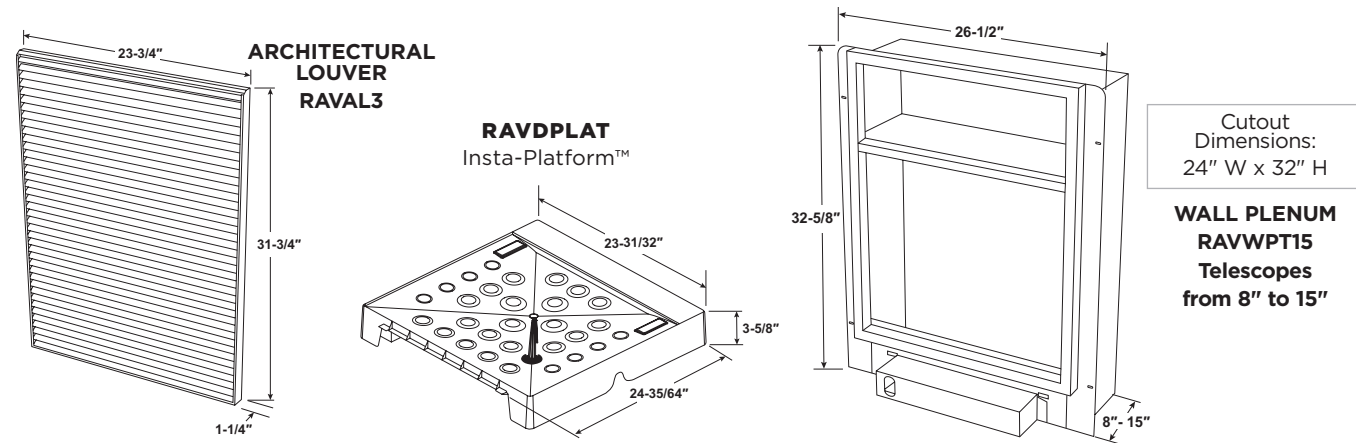


Mode P Engineering Revision Setup

This setting is used to configure the unit when the circuit board is replaced. The first time the unit is powered after a service board is installed, the unit will automatically enter this mode. The UI will read “P1.” Press the “+” pad until the number matches the engineering revision as shown. The engineering revision is the last number in the model number. Press “Aux” to save and exit. The engineering revision may be adjusted after the first power cycle using AUX SET. Press **MODE** until “P” appears in the first digit, and follow the steps described above.

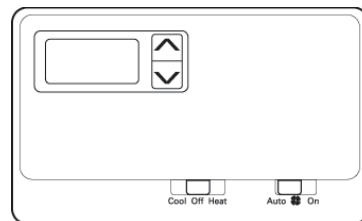


ACCESSORIES



COMPLETE ACCESSORY LIST

KIT NUMBER	DESCRIPTION
RAK149F2	Digital Two-Fan-Speed Thermostat
RAK149P2	Digital Programmable Thermostat
RAK180W1	Energy Management Occupancy-Sensing Wired/Wireless Thermostat
RAVAL3	Exterior Grille
RAVRG2	Return Air Grille for Flush Door
RAVRG4	Access Panel with Return Air
RAVWPT15	Wall Plenum for walls 8" to 15" thick
RAVTRANS2	Transition plenum to adapt existing AZ75/85 wall plenums to AZ95 series
RAVTRANS3	Transition plenum to adapt existing 8"-deep (RAVWPT8) AZ90/91 plenum to AZ95 series
RAVTRANS4	Transition plenum to adapt existing 14"-deep (RAVWPT14) AZ90/91 plenum to AZ95 series
RAK315D	230-208 Volt Direct Connect Power Supply Kit, 2.45/2 kW heat
RAK320D	230-208 Volt Direct Connect Power Supply Kit, 3.45/2.82 kW heat
RAK330D	230-208 Volt Direct Connect Power Supply Kit, 5/4.08 kW heat
RAK515D	265-Volt Universal Direct Connect Power Supply Kit, 2.45 kW heat
RAK520D	265-Volt Universal Direct Connect Power Supply Kit, 3.45 kW heat
RAK530D	265-Volt Universal Direct Connect Power Supply Kit, 5 kW heat
RAVDPLAT	Insta-Platform™
PBX23W00Y0/ PBX23W00Y1	Connect Module



WALL THERMOSTAT

MODEL TYPE	COMMUNICATION	KIT NUMBER
Programmable	5-wire (AZ95E), 6-wire (AZ95H)	RAK149P2
Two-speed fan	6-wire (AZ95E), 7-wire (AZ95H)	RAK149F2
Energy Management	2-wire/wireless	RAK180W1

Check the thermostat instructions for correct wiring and installation requirements.

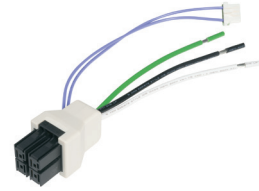
ESSENTIAL PARTS AND ACCESSORIES

The UltimateV10™ Vertical Air Conditioners require a set of essential accessories for proper operation. Once you have selected the size of unit needed, next you'll need to consider the following:

POWER CONNECTIONS - Must be directly connected

POWER CONNECTION REQUIREMENTS (RESISTANCE HEAT)

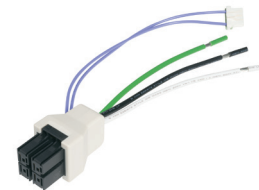
230-208 VOLT	9,000/12,000 BTUh			18,000 BTUh*	
POWER CONNECTION KIT	RAK315D	RAK320D	RAK330D	RAK320D	RAK330D
Heater BTUh	8360/6838	11770/9629	17060/13952	11770/9629	17060/13952
Total Watts	2568/2122	3568/2940	5118/4207	3568/2940	5118/4207
Heater Watts	2450/2004	3450/2822	5000/4089	3450/2822	5000/4089
Total Heating Amps	10.7/9.6	15/13.6	21.7/19.7	15/13.6	21.7/19.7
MCA	15	20	30	20	30
Recommend Protective Device (MOCP)	15 amp time-delay fuse or breaker	20 amp time-delay fuse or breaker	30 amp time-delay fuse or breaker	20 amp time-delay fuse or breaker	30 amp time-delay fuse or breaker



**RAK315D/320D/330D
RAK320D SHOWN**
230-208-Volt Universal Direct Connect™ Power Supply Kit

POWER CONNECTION REQUIREMENTS (RESISTANCE HEAT)

265 VOLT	9,000/12,000 BTUh			18,000 BTUh*	
POWER CONNECTION KIT	RAK515D	RAK520D	RAK530D	RAK520D	RAK530D
Heater BTUh	8360	11770	17060	11770	17060
Total Watts	2568	3568	5118	3568	5118
Heater Watts	2450	3450	5000	3450	5000
Total Heating Amps	9.2	13	18.9	13	18.9
MCA	15	20	30	20	30
Recommend Protective Device (MOCP)	15 amp time-delay fuse or breaker	20 amp time-delay fuse or breaker	30 amp time-delay fuse or breaker	20 amp time-delay fuse or breaker	30 amp time-delay fuse or breaker



**RAK515D/520D/530D
RAK520D SHOWN**
265-Volt Universal Direct Connect Power Supply Kit

The correct kit for the installation is determined by the voltage and breaker size of the electrical circuit

*There is no 15 amp breaker option available for the 18,000 BTUh models due to compliance with UL standard 60335-2-40

ESSENTIAL PARTS AND ACCESSORIES

PLENUM ADAPTERS



**RAVTRANS2
PLENUM ADAPTER**

to transition from existing AZ75/AZ85 wall plenum to AZ95 unit



**RAVTRANS3
PLENUM ADAPTER**

to transition from existing AZ90/AZ91 shallow plenum (RAVWPT8) to AZ95 unit



**RAVTRANS4
PLENUM ADAPTER**

to transition from existing AZ90/AZ91 deep plenum (RAVWPT14) to AZ95 unit

TELESCOPING WALL PLENUM AND INSTA-PLATFORM™



**RAVWPT15
TELESCOPING PLENUM**

for wall depth 8"-15"
Wall cutout: 24" x 32"



**RAVDPLAT
INSTA-PLATFORM**

24" W x 24-1/2" D x 3-5/8" H

EXTERIOR GRILLE AND INTERIOR ACCESS PANELS



**RAVAL3
ARCHITECTURAL ALUMINUM
OUTDOOR GRILLE**
31-3/4" H x 23-3/4" W x 1-1/4" D



**RAVRG4
ACCESS PANEL
WITH RETURN GRILLE**
Cut out: 28-1/8" W x 55-7/8" H



**RAVRG2
RETURN AIR GRILLE**
Cut out: 20-3/8" W x 20-3/8" H

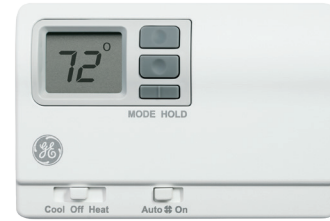
REMOTE THERMOSTATS

All Zoneline® Vertical units are compatible with GE Appliances' wall-mounted remote thermostats.



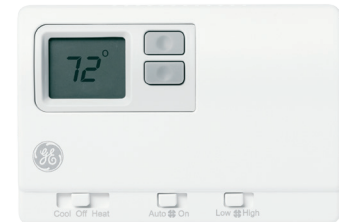
RAK180W1 ENERGY MANAGEMENT OCCUPANCY-SENSING WIRED/WIRELESS THERMOSTAT

- 2-wire power connection available (all other signals wireless)
- Thermostat (shown) & control card (mounts on top of unit) included
- Control card works off 24 Volt AC signal from unit
- Works with single-stage cooling and single-stage or two-stage heating systems with proper setup. Default is two-stage heating and B-type heat pump
- Extra 24V output may be programmed to control other room systems such as lighting, vents, etc.



RAK149P2 HEAT PUMP DIGITAL PROGRAMMABLE REMOTE THERMOSTAT

- 24V AC digital remote wall thermostat
- Programmable for 7-day or 5+2-day programs
- Requires 5-wire (resistance heat) or 6-wire (heat pump) hookup
- Works with single-stage cooling and single-stage or two-stage heating systems



RAK149F2 HEAT PUMP DIGITAL TWO-FAN-SPEED THERMOSTAT

- Two fan speeds
- 24V AC digital remote wall thermostat
- Requires 6-wire (resistance heat) or 7-wire (heat pump) hookup
- Works with single-stage cooling and single-stage or two-stage heating systems



ZONELINE® ULTIMATEV10™ VERTICAL AIR CONDITIONER



FEATURES

- Excellent efficiency and dehumidification
- Permanently lubricated fan motors
- Standard size air filter (18" x 20" x 1") included
- Central desk control capability
- HI and LOW fan speeds controlled by remote thermostat
- Corrosion protection treatment standard
- Slinger ring condensate removal
- Indoor frost control
- Automatic compressor random restart
- Compressor restart delay
- Electronic control diagnostics/Service Models
- Warranty (including both parts and labor)
- Boost Heat
- Freeze/Heat Sentinel
- Auxiliary Control Settings

AZ95E09DAC AZ95E12DAC AZ95E18DAC

9,200/11,500/
17,400 BTU (Cool)
11.5/12.1/11.2 EER
230-208 Volts

AZ95H09DAC AZ95H12DAC AZ95H18DAC

8,900/11,300/
17,000 BTU (Cool)
8,500/10,500/
15,800 BTU (Heat)
11.1/11.1 EER
3.3/3.3 COP**
230-208 Volts

AZ95H09EAC AZ95H12EAC AZ95H18EAC

8,800/11,300/
17,200 BTU (Cool)
8,200/10,700/
16,100 BTU (Heat)
11.7/11.1/11.0 EER
3.5/3.3/3.3 COP**
265 Volts

SPECIFICATIONS

265 VOLTAGE

GE AZ95 SERIES - 265V			
HEAT PUMP WITH BACKUP ELECTRIC HEAT			
	AZ95H09EAC	AZ95H12EAC	AZ95H18EAC
Voltage	265	265	265
FEATURES			
Cooling BTUH	8,800	11,300	17,200
EER (min.)	11.7	11.1	11
Cooling power (W)	750	1,015	1,560
Cooling current (A)	3.0	4.0	6.3
Sensible Heat Ratio (SHR)	75%	76%	73%*
Dehumidification (pints per hour)	2	2.5	4.3*
Refrigerant	R-410A	R-410A	R-410A
Indoor CFM (hi/lo) (0.1 ESP)	408/305	417/376	468/408
HEAT PUMP			
Heating BTU	8,200	10,700	16,100
COP (min.)**	3.5	3.3	3.3
Heating power (W)	685	925	1,410
Heating current (A)	2.9	3.8	5.9
CASE DIMENSIONS			
Width (in.)	23-5/8	23-5/8	23-5/8
Depth (in.)	24-1/8	24-1/8	24-1/8
Height (in.)	31-7/8	31-7/8	31-7/8
Net weight (lbs.)	122	128	142
Approx. ship. weight (lbs.)	135	141	155
Clearances for front install (min.)	3" on all sides	3" on all sides	3" on all sides
Clearances for side install (min.)	5" to front 3" on sides	5" to front 3" on sides	5" to front 3" on sides

*18K Dehum Rate and SHR data acquired using medium fan speed. All other models show low fan speed data.
**Coefficient of Performance

SPECIFICATIONS

230-208 VOLTAGE

GE AZ95 SERIES - 230/208V*			
HEAT PUMP WITH BACKUP ELECTRIC HEAT			
	AZ95H09DAC	AZ95H12DAC	AZ95H18DAC
Voltage	230-208	230-208	230-208
FEATURES			
Cooling BTUH	8,900	11,300	17,000
EER (min.)	11.1	11.8	11.1
Cooling power (W)	800	955	1,525
Cooling current (A)	3.7	4.5	7.1
Sensible Heat Ratio (SHR)	76%	75%	71%**
Dehumidification (pints per hour)	1.9	2.5	4.4**
Refrigerant	R-410A	R-410A	R-410A
Indoor CFM (hi/lo) (0.1 ESP)	408/305	417/376	468/408
HEAT PUMP			
Heating BTU	8,500	10,500	15,800
COP*** (min.)	3.3	3.5	3.3
Heating power (W)	735	870	1,400
Heating current (A)	3.5	4.3	6.6
CASE DIMENSIONS			
Width (in.)	23-5/8	23-5/8	23-5/8
Depth (in.)	24-1/8	24-1/8	24-1/8
Height (in.)	31-7/8	31-7/8	31-7/8
Net weight (lbs.)	122	128	142
Approx. ship. weight (lbs.)	135	141	155
Clearances for front install (min.)	3" on all sides	3" on all sides	3" on all sides
Clearances for side install (min.)	5" to front 3" on sides	5" to front 3" on sides	5" to front 3" on sides

*230V Performance Data Listed
**18K Dehum Rate and SHR data acquired using medium fan speed. All other models show low fan speed data.
***Coefficient of Performance

GE AZ95 SERIES - 230/208V*

COOLING WITH ELECTRIC HEAT

	AZ95E09DAC	AZ95E12DAC	AZ95E18DAC
Voltage	230-208	230-208	230-208
FEATURES			
Cooling BTUH	9,200	11,500	17,400
EER (min.)	11.5	12.1	11.2
Cooling power (W)	795	940	1,550
Cooling current (A)	3.6	4.3	7.3
Sensible Heat Ratio (SHR)	74%	73%	72%**
Dehumidification (pints per hour)	2.2	2.8	4.5**
Refrigerant	R-410A	R-410A	R-410A
Indoor CFM (hi/lo) (0.1 ESP)	408/305	408/356	468/408
CASE DIMENSIONS			
Width (in.)	23-5/8	23-5/8	23-5/8
Depth (in.)	24-1/8	24-1/8	24-1/8
Height (in.)	31-7/8	31-7/8	31-7/8
Net weight (lbs.)	119	127	141
Approx. ship. weight (lbs.)	132	140	154
Clearances for front install (min.)	3" on all sides	3" on all sides	3" on all sides
Clearances for side install (min.)	5" to front 3" on sides	5" to front 3" on sides	5" to front 3" on sides

*230V Performance Data Listed
**18K Dehum Rate and SHR data acquired using medium fan speed. All other models show low fan speed data.



SPECIFICATIONS

The following are suggested specifications for the AZ95 Series single packaged vertical units:

The contractor shall furnish single packaged vertical units of the sizes and capacities shown on the schedule or in the specifications. The units shall be located as shown on the drawings and each shall consist of a chassis, appropriately sized wall plenum, outdoor grille, remote wall thermostat, drain platform, and closet access panel or door.

Units shall be listed by UL and shall be GE Appliances Vertical Zoneline® models or equal. Unit dimensions shall not exceed 23-5/8"W x 24-1/8"L x 31-7/8" H.

CHASSIS

The Zoneline UltimateV10 Vertical chassis shall be the standard product of the manufacturer and shall be shipped in protective cartons to prevent damage. Cartons shall be appropriately marked with factory wording sufficient to warn handlers against dropping, improper stacking, upending or rolling.

The chassis shall be slide-in type, ready to operate after installation.

The chassis shall be protected against the harmful effects of airborne chemicals and saltwater corrosion.

The chassis shall have a hermetically sealed refrigerant system with an external vibration isolated rotary compressor. Indoor coils shall have copper tubing with aluminum fins. Outdoor coils shall have copper tubing with aluminum fins treated to resist the effects of airborne chemicals and saltwater corrosion. All refrigerant coil fins will have the necessary enhancements to achieve EER and COP ratings of the unit. Refrigerant system metering shall be done with capillaries.

Airflow system shall consist of one permanently lubricated fan motor for the outdoor side and a separate permanently lubricated two-speed motor for the indoor blower.

Outdoor fan shall be multi-blade axial-flow design made of non-corrosive material. Indoor fan shall be blower type to optimize airflow and minimize air noise. All motors on the exterior side of the weather barrier shall be painted and enclosed to reduce the effects of moisture and corrosion.

Units will have a positive cooling condensate disposal system. The disposal system shall have a slinger ring on the outdoor fan to dispose of condensate water and to assist in cooling the outdoor coil.

Heat pump models shall be equipped with a temperature-activated valve to allow condensate water generated during defrost cycles to drain into the specified drain system.

Units will provide fault codes, service modes, and auxiliary controls settings from a user-friendly digital display.

Unit indoor and outdoor airflows must match the capacity of the coils for efficient heat transfer and meet latent and sensible heat requirements. Water blow-off shall not occur on the indoor coil.

Unit shall have a sensor to prevent indoor coil freeze-up.

DRAIN PLATFORM

Units shall use a drain platform of non-corrosive material to provide support for the unit as well as facilitate drain connections. The platform allows unit extraction from the closet while leaving plumbing intact.

WALL PLENUM

Wall plenums shall be constructed of heavy-gauge, zinc-coated, phosphated steel with a baked-on enamel finish.

Plenums shall be installed through the exterior wall where shown on the plans and shall be of correct depth to allow sealing to exterior and interior walls.

EXTERIOR GRILLES

Each unit shall be equipped with a standard exterior grille that has been designed to allow operation in high ambient conditions.

Special exterior grilles or custom louver sections supplied by others will conform to minimum free area requirements and shall be submitted to independent labs, if requested, for feasibility and airflow characteristics.

ELECTRICAL

Units shall be designed to operate on 230-208 or 265-volts, 60 Hz, single-phase power.

Units shall have means of electrical connection listed by Underwriters Laboratories and compatible with the units' required voltage and ampacity in conformance with National Electrical Code (NEC) and all local codes.

FEATURES

Unit must be compatible with 2-wire Central Desk Control systems.

Units must be compatible with Electronic Class-2 remote wall thermostats.

Unit shall be equipped with Freeze Sentinel to automatically activate the electric heaters (at 41°F) and appropriate fan motors to warm and circulate indoor air (to 46°F) to prevent damage due to freezing temperatures. Freeze Sentinel shall operate when unit is connected to a powered electrical circuit.

Unit shall be equipped with Heat Sentinel to automatically provide cooling at 85°F to prevent an excessively hot room. Once the room temperature reaches 80°F, the air conditioner will turn off. When activated, Heat Sentinel shall operate when unit is connected to a power electrical circuit.

Heat Pump models must utilize reverse cycle defrost to extend heat pump operation down to 25 degrees F.

GE APPLIANCES VERTICAL ZONELINE HEAT PUMPS ADDITIONAL SPECIFICATIONS

Heat pump unit shall automatically switch from heat pump operation to electric resistance heat when it is unable to provide sufficient heat to maintain room temperature or when the outdoor temperature is 25° F or less.

In the event of a compressor failure during heat pump operation, the unit shall automatically switch to electric resistance heat to maintain selected room temperature regardless of outdoor temperatures.

Unit shall have an indoor coil temperature sensor to protect the compressor when the outdoor temperatures are too high for heat pump operation.

ADDITIONAL SPECIFICATIONS SERVICE

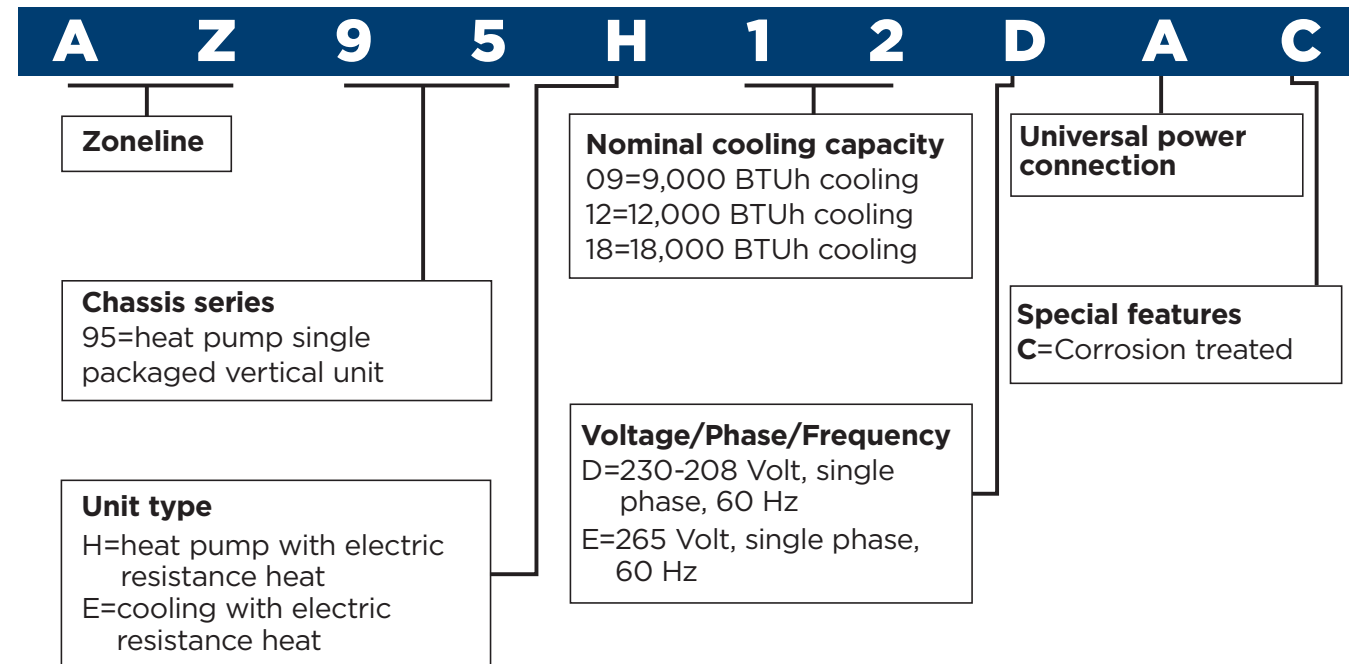
Submit complete information with bid covering service availability, to whom service on units will be assigned, complete address and phone number, including phone number of emergency service personnel.

STARTUP, ADJUST, DEMONSTRATE

Contractor shall be responsible for the initial starting of units, adjustments thereto, cleaning, etc., to place the units in required operating condition. Contractor shall demonstrate to the owner, or his representative, the operation of units for both summer and winter functions.

ZONELINE® SINGLE PACKAGED VERTICAL UNIT NOMENCLATURE

The Vertical Zoneline chassis is identified by a model number defining the type of unit, cooling capacity, electrical information and optional features included on the unit. When specifying or ordering the Zoneline chassis, use of this nomenclature will ensure receiving the correct unit.



ZONELINE WARRANTY

Proof of original purchase date is needed to obtain service under warranty. For service in the U.S., call 1-844-GE4-PTAC (1-844-434-7822). In Canada, contact your local distributor.

WHAT IS COVERED

LIMITED ONE-YEAR WARRANTY

For one year from date of original purchase, we will provide, free of charge, parts and service labor on site to repair or replace any part of the Zoneline unit that fails because of a manufacturing defect.

LIMITED FIVE-YEAR SEALED REFRIGERATING SYSTEM WARRANTY

For five years from the date of original purchase, we will provide, free of charge, parts and on-site service labor to repair or replace any part of the sealed refrigerating system (the compressor, condenser, evaporator and all connecting tubing) that fails because of a manufacturing defect.

LIMITED 2ND THROUGH 5TH YEAR PARTS WARRANTY

For the second through the fifth year from date of original purchase, GE Appliances will provide, free of charge, parts that fail as a result of a manufacturing defect. Parts covered are fan motors, switches, heater, heater protectors, compressor overload, solenoids, circuit boards, auxiliary controls, thermistors, frost controls, capacitors, varistors and indoor blower bearing. This is a limited parts-only warranty, and does not include labor or transportation to and from the service shop.

WHAT IS NOT COVERED

- Service trips to your site to teach you how to use the product.
- Improper installation.
 - If you have an installation problem, or if the air conditioner is of improper cooling capacity for the intended use, contact your dealer or installer. You are responsible for providing adequate electrical connecting facilities.
- Replacement of fuses or resetting of circuit breakers.
- In commercial locations, labor necessary to move the unit to a location where it is accessible for service by an individual technician.
- Failure of the product resulting from modifications to the product or due to unreasonable use including failure to provide reasonable and necessary maintenance.
- Failure or damage resulting from corrosion due to installation in an environment containing corrosive chemicals.
- Failure or damage resulting from corrosion due to installation in a coastal environment, except for models treated with special factory-applied anti-corrosion protection as designated in the model number.
- Damage to product caused by improper power supply voltage, accident, fire, floods or acts of God.
- Incidental or consequential damage to personal property caused by possible defects with this air conditioner.

WARRANTOR: GE APPLIANCES. LOUISVILLE, KY 40225

This warranty is extended to the original purchaser and any succeeding owner for products purchased for use within the USA and Canada. In Alaska, the warranty excludes the cost of shipping or service calls to your site.

Some states do not allow the exclusion or limitation of incidental or consequential damages. This warranty gives you specific legal rights, and you may also have other rights which vary from state to state. To know what your legal rights are in your state, consult your local or state consumer affairs office or your state's Attorney General.

Equipment used as a primary source for heating or cooling is an integral part of the building in which it is installed. Proper application is essential for satisfactory performance over a wide range of operating conditions. It is strongly recommended that a professional engineer determine proper application. If this unit is a replacement unit, its specifications and performance may differ from those of the unit it is replacing. For that reason, we again strongly recommend that a professional engineer determine proper application.

GE Appliances has a policy of continuous improvement on its products and reserves the right to change materials and specifications without notice.



GE APPLIANCES
a Haier company

AIR&WATER
SOLUTIONS

GE is a trademark of the General Electric Company. Manufactured under trademark license.

GE Appliances has a policy of continuous improvement of its products and reserves the right to change materials and specifications without notice.

Appliance Park
Louisville, KY 40225
geappliances.com
Pub. No 20-T0100 PC95451