

The information provided in this document is intended for trained, qualified personnel only. The proper function and the safety of the appliance can be affected by an improper repair, and even serious threats to life or physical condition may arise. BSH Home Appliances Corporation is not liable for damages caused by improper repairs performed by unauthorized parties. Local codes and standards apply and must be observed. Authorized Servicers may contact the Technical Support Team for further assistance.

EN Blower to Hood Wiring

Note: This alerts you to important information

Blower Appliance means complete blower appliance (eg VTI610)

Blower Motor means the blower motor spare part within the Blower Appliance (00669416, 11007194)

There are situations where blower appliance to hood connections need to be manually wired by the installer of the appliance, it is possible to wire color for color causing damage to the electronics and blower motor in some applications. After replacement of this part and before powering up the appliance, verify the blower motor and hood are properly wired according the installation instructions.

WARNING: If the information in this instruction is not followed exactly, fire or shock may result causing property damage or personal injury.

Note: The following applications below would be incorrect if wired color by color.

Blower

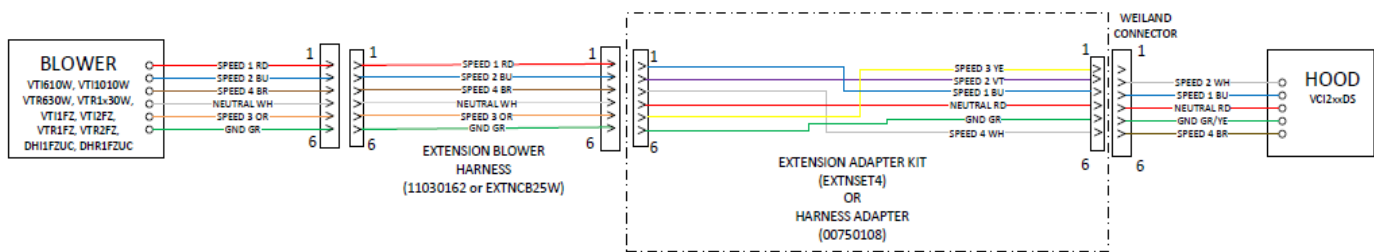
Speed 1 – Red
Speed 2 – Blue
Speed 3 - Orange (Not used)
Speed 4 - Brown
Neutral – White
Ground – Green/Yellow

- Red of blower is speed 1, red of hood is neutral
- Blue of blower is speed 2, blue of hood is speed 1
- Brown matches to each, speed 4

Hood

Speed 1 – Blue
Speed 2 – White
Speed 3 – Empty (not used)
Speed 4 – Brown
Neutral – Red
Ground – Green

- White of blower is neutral, white of hood is speed 2
- Orange of blower is speed 3, no wire to hood
- Green matches to each, ground

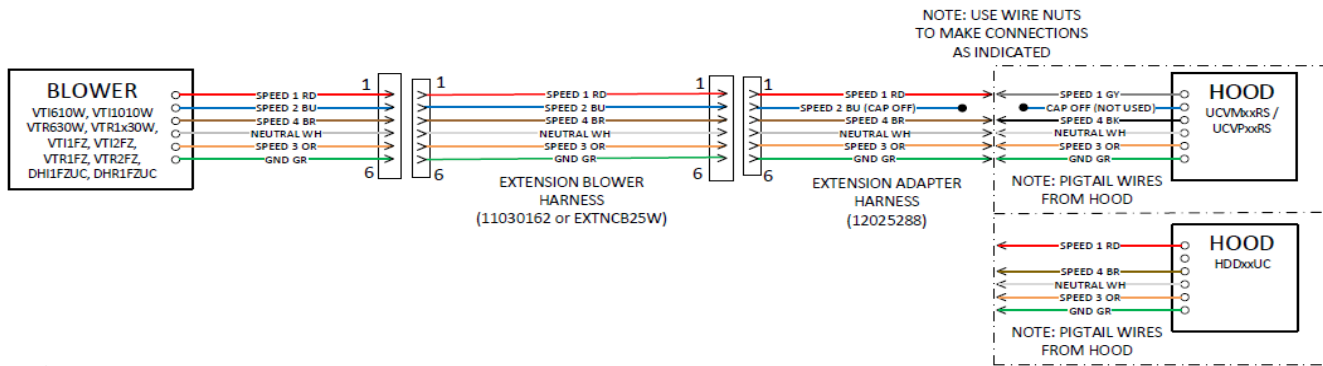


Note: Extension, Harness adaptor (EXTNSET4 or 00750108) should be ordered with VC12xxD5 Hoods



There is also an opportunity for mis-wiring the downdraft SKUs mentioned below that should be noted.

Blower	Hood
Speed 1 – Red	Speed 1 – Gray
Speed 2 – Blue (Not used)	Speed 2 – Blue (Not used)
Speed 3 - Orange	Speed 3 – Orange
Speed 4 - Brown	Speed 4 – Black
Neutral – White	Neutral – White
Ground – Green/Yellow	Ground – Green/Yellow
-Red of blower is speed 1, Gray of hood is speed 1 -Orange matches to each, speed 3 -Brown matches to each, speed 4	<u>UCVM/UCVPxxRS</u> -Blue of blower is speed 2, no wire to hood for this -White matches to each, Neutral -Green matches to each, ground
-Red matches to each, speed 1 -Orange matches to each, speed 3 -Brown matches to each, speed 4	<u>HDDxxUC</u> -Blue of blower speed 2, No wire to hood for this -White matches to each, Neutral -Green matches to each, ground



Note: Extension, Harness adaptor (12025288) should be ordered with UCVMxxRS / UCVPxxRS and HDDxxUC Hoods. Wire nuts required when using the pigtail harness to connect to a hood or blower. Some of the color coding of the wiring may not be the same.



Solution:

When installing Part No. 00669416 or 11007194. Do not rely to wire color for color; if blower appliance to ventilation hood matches an application mentioned above; it could result in damage to the electronics and blower motor. READ the install manual and reference the wiring diagram of the hood or blower to match wires.