

# SCANSTRUT

Input Voltage: 10-30V DC (12/24V System)

Input current max: 2A

Output power max: 10W(9V,1.1A)

Standby power draw: <0.2W

Part number: SC-MAG-01

FCC ID: 2APUP-SC-MAG-01

IC:28360-SCMAG01

**RoHS**

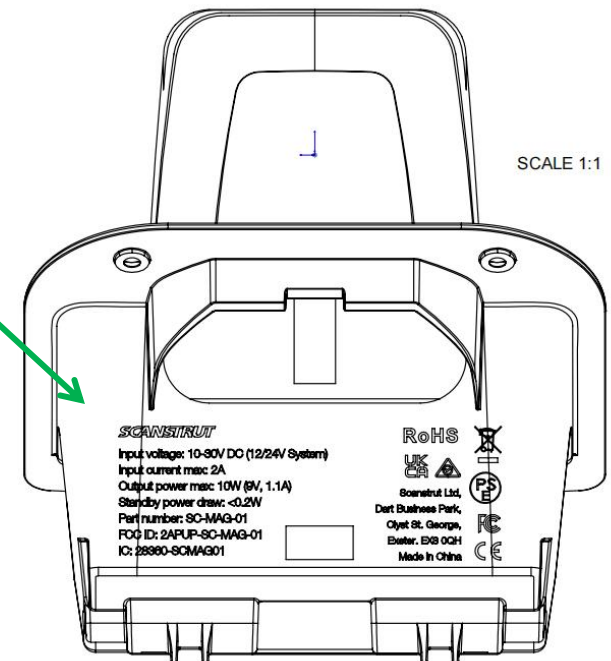
**UK  
CA**



Scanstrut Ltd,  
Dart Business Park,  
Clyst St. George,  
Exeter. EX3 0QH  
Made in China



SCALE 1:1



**FCC**标签信息在产品背面

# **SCANSTRUT**

Input Voltage: 10-30V DC (12/24V System)

Input current max: 2A

Output power max: 10W(9V,1.1A)

Standby power draw: <0.2W

Part number: SC-MAG-01

FCC ID: 2APUP-SC-MAG-01

IC:28360-SCMAG01

**RoHS**

**UK  
CA**



Scanstrut Ltd,

Dart Business Park,

Clyst St. George,

Exeter. EX3 0QH

Made in China



# **SCANSTRUT**

Input Voltage: 10-30V DC (12/24V System)

Input current max: 2A

Output power max: 10W(9V,1.1A)

Standby power draw: <0.2W

Part number: SC-MAG-12F

FCC ID: 2APUP-SC-MAG-01

IC:28360-SCMAG01

**RoHS**

**UK  
CA**



Scanstrut Ltd,

Dart Business Park,

Clyst St. George,

Exeter. EX3 0QH

Made in China

