



Maintenance and Service Guide

SUMMARY

This guide provides information about spare parts, removal and replacement of parts, security, backing up, and more.

© Copyright 2021 HP Development Company, L.P.

AMD is a trademark of Advanced Micro Devices, Inc. Bluetooth is a trademark owned by its proprietor and used by HP Inc. under license. Intel, Core, Iris, Pentium, Optane and vPro are trademarks of Intel Corporation or its subsidiaries in the U.S. and/or other countries. Microsoft and Windows are either registered trademarks or trademarks of Microsoft Corporation in the United States and/or other countries. USB Type-C and USB-C are registered trademarks of USB Implementers Forum. DisplayPort™ and the DisplayPort™ logo are trademarks owned by the Video Electronics Standards Association (VESA®) in the United States and other countries.

The information contained herein is subject to change without notice. The only warranties for HP products and services are set forth in the express warranty statements accompanying such products and services. Nothing herein should be construed as constituting an additional warranty. HP shall not be liable for technical or editorial errors or omissions contained herein.

First Edition: January 2021

Document Part Number: M34755-001

Product notice

This guide describes features that are common to most models. Some features may not be available on your computer.

Not all features are available in all editions or versions of Windows. Systems may require upgraded and/or separately purchased hardware, drivers, software or BIOS update to take full advantage of Windows functionality. Windows 10 is automatically updated, which is always enabled. ISP fees may apply and additional requirements may apply over time for updates. Go to <http://www.microsoft.com> for details.

To access the latest user guides, go to <http://www.hp.com/support>, and follow the instructions to find your product. Then select **Manuals**.

Software terms

By installing, copying, downloading, or otherwise using any software product preinstalled on this computer, you agree to be bound by the terms of the HP End User License Agreement (EULA). If you do not accept these license terms, your sole remedy is to return the entire unused product (hardware and software) within 14 days for a full refund subject to the refund policy of your seller.

For any further information or to request a full refund of the price of the computer, please contact your seller.

Safety warning notice

Reduce the possibility of heat-related injuries or of overheating the computer by following the practices described.


 **WARNING!** To reduce the possibility of heat-related injuries or of overheating the computer, do not place the computer directly on your lap or obstruct the computer air vents. Use the computer only on a hard, flat surface. Do not allow another hard surface, such as an adjoining optional printer, or a soft surface, such as pillows or rugs or clothing, to block airflow. Also, do not allow the AC adapter to come into contact with the skin or a soft surface, such as pillows or rugs or clothing, during operation. The computer and the AC adapter comply with the user-accessible surface temperature limits defined by applicable safety standards.

Table of contents

1 Product description	1
2 Getting to know your computer	4
Right side	4
Left side	5
Display	6
Low blue light mode (select products only)	6
Keyboard area	7
Touchpad settings and components	7
Touchpad settings	7
Adjusting touchpad settings	7
Turning on the touchpad	7
Touchpad components	8
Lights	8
Button and fingerprint reader	9
Special keys	10
Bottom	11
Labels	12
3 Illustrated parts catalog	14
Computer major components	14
Display assembly subcomponents	16
Miscellaneous parts	17
4 Removal and replacement procedures preliminary requirements	19
Tools required	19
Service considerations	19
Plastic parts	19
Cables and connectors	19
Drive handling	19
Electrostatic discharge information	20
Generating static electricity	20
Preventing electrostatic damage to equipment	21
Personal grounding methods and equipment	21
Grounding the work area	22
Recommended materials and equipment	22

Cleaning your computer	23
Enabling HP Easy Clean (select products only)	23
Removing dirt and debris from your computer	23
Cleaning your computer with a disinfectant	24
Caring for wood veneer (select products only)	25
Packaging and transporting guidelines	25
Accessing support information	25

5 Removal and replacement procedures for authorized service provider parts 27

Component replacement procedures	27
Preparation for disassembly	27
Bottom cover and rubber feet	27
Battery	29
Solid-state drive	30
Memory modules	31
WLAN module	31
Speakers	33
Touchpad	34
Fan	36
Heat sink	37
Power connector cable	39
Fingerprint reader (select products only)	40
System board	41
Display assembly	43
Top cover with keyboard	50

6 Using Setup Utility (BIOS) 51

Starting Setup Utility (BIOS)	51
Updating Setup Utility (BIOS)	51
Determining the BIOS version	51
Preparing for a BIOS update	52
Downloading a BIOS update	52
Installing a BIOS update	52

7 Backing up, restoring, and recovering 54

Backing up information and creating recovery media	54
Using Windows tools for backing up	54
Using the HP Cloud Recovery Download Tool to create recovery media (select products only)	54
Restoring and recovering your system	54
Creating a system restore	55

Restoring and recovery methods	55
Recovering using HP Recovery media	55
Changing the computer boot order	55
Using HP Sure Recover (select products only)	56
8 Using HP PC Hardware Diagnostics	57
Using HP PC Hardware Diagnostics Windows (select products only)	57
Using an HP PC Hardware Diagnostics Windows hardware failure ID code	57
Accessing HP PC Hardware Diagnostics Windows	57
Accessing HP PC Hardware Diagnostics Windows from HP Help and Support (select products only)	57
Accessing HP PC Hardware Diagnostics Windows from Support Assistant	58
Accessing HP PC Hardware Diagnostics Windows from the Start menu (select products only)	58
Downloading HP PC Hardware Diagnostics Windows	58
Downloading the latest HP PC Hardware Diagnostics Windows version from HP	58
Downloading the HP PC Hardware Diagnostics Windows from the Microsoft Store	58
Downloading HP Hardware Diagnostics Windows by product name or number (select products only)	59
Installing HP PC Hardware Diagnostics Windows	59
Using HP PC Hardware Diagnostics UEFI	59
Using an HP PC Hardware Diagnostics UEFI hardware failure ID code	59
Starting HP PC Hardware Diagnostics UEFI	60
Downloading HP PC Hardware Diagnostics UEFI to a USB flash drive	60
Downloading the latest HP PC Hardware Diagnostics UEFI version	60
Downloading HP PC Hardware Diagnostics UEFI by product name or number (select products only)	60
Using Remote HP PC Hardware Diagnostics UEFI settings (select products only)	61
Downloading Remote HP PC Hardware Diagnostics UEFI	61
Downloading the latest Remote HP PC Hardware Diagnostics UEFI version	61
Downloading Remote HP PC Hardware Diagnostics UEFI by product name or number	61
Customizing Remote HP PC Hardware Diagnostics UEFI settings	61
9 Specifications	63
Computer specifications	63
35.6 cm (14.0 in) display specifications	63
Solid-state drive specifications	64
10 Power cord set requirements	65
Requirements for all countries	65

Requirements for specific countries and regions	65
11 Recycling	67
Index	68

1 Product description

This table provides detailed product information.

Table 1-1 Product components and their descriptions

Category	Description
Product Name	HP Pavilion x360 15 Convertible PC Model number: 15-er0xxx CTO Model: 15t-er000
Processors	Intel® processors Intel Core™ i7-1165G7 (2.80 GHz base frequency, up to 4.70 GHz with Intel Turbo Boost Technology, 12 MB cache, 4 cores) Intel Core i5-1135G7 (2.40 GHz base frequency, up to 4.20 GHz with Intel Turbo Boost Technology, 8 MB cache, 4 cores) Intel Core i3-1125G4 (2.00 GHz base frequency, up to 3.70 GHz with Intel Turbo Boost Technology, 8 MB cache, 4 cores) Intel Core i3-1115G4 (3.00 GHz base frequency, up to 4.10 GHz with Intel Turbo Boost Technology, 6 MB cache, 2 cores) Intel 7505 Pentium® Gold (2.00 GHz base frequency, up to 3.50 GHz with Intel Turbo Boost Technology, 4 MB cache, 2 cores)
Graphics	Internal graphics Intel Iris® X ^e Graphics (i7/i5 processors) Intel UHD Graphics (i3/Pentium processors) Supports HD Decode, DX12, and HDMI
Display	39.6 cm (15.6 in), WLED, narrow bezel, eDP 1.2 without PSR, antiglare, 45% NTSC, 250 nits, touch screen Full high definition (FHD) (1920 × 1080), IPS, UWVA High definition (HD) (1366 × 768), SVA
Memory	Not customer-accessible Up to 16 GB of DDR4-3200 dual-channel support Supports the following configurations: <ul style="list-style-type: none">• 16 GB (8 × 2)• 12 GB (8 + 4)• 8 GB (8 × 1 or 4 × 2)• 4 GB (4 × 1)
Primary storage	M.2 2280 solid-state drives (NGFF) 1 TB, PCIe, value

Table 1-1 Product components and their descriptions (continued)

Category	Description
	512 GB, PCIe, value
	512 GB, PCIe-3 × 2 × 2 + 32 GB Optane™ memory
	256 GB, PCIe, value
	256 GB, PCIe-3 × 2 × 2 + 16 GB Optane memory
Audio and video	HP Wide Vision HD Camera: indicator LED, USB2.0, HD BSI sensor, f2.0, WDR, 88° WFOV
	720p by 30 frames per second
	Dual array digital microphone with appropriate software: beam forming, echo cancellation, and noise suppression
	Dual speakers
	Audio brand: B&O
	Audio control panel: B&O Audio Control
	Supports speaker swap
	Supports Cortana (far field)
	Supports Alexa
	Supports HP Audio Boost
Wireless	Wireless Local Area Network (WLAN) (select products only)
	Intel Wi-Fi 6 AX201 802.11ax (2 × 2) and Bluetooth® 5 (non-vPro®)
	Intel Wireless-AC 9461 802.11b/g/n/ac (1 × 1 Bluetooth 5 Combo)
	Realtek 8852AE-VT Wi-Fi® 6 Bluetooth 5.2 WLAN
Card reader	Micro Secure Digital (SD) Media Reader
	Push-push insertion/removal
Ports	HDMI 2.0
	Audio-out (headphone)/audio-in (microphone) combo jack
	USB 3.2 Gen 2 Type-C (supports power delivery 3.0, data transfer, Display Port 1.4, HDMI 2.0 out, HP Sleep & Charge)
	(2) USB 3.2 Gen 1 Type-A port
	AC Smart Pin adapter plug
Digital pen	HP Pen with cable
Sensors	Accelerometer + Gyroscope accelerometer
Keyboard/pointing devices	HP Premium Keyboard
	Full size, textured, island style
	Backlit, 2-coat paint, island style
	Backlit, 3-coat paint, island style
	Touchpad

Table 1-1 Product components and their descriptions (continued)

Category	Description
	Clickpad with image sensor
	Multitouch gestures enabled
	Precision touchpad supported
	Supports modern trackpad gestures
	Taps enabled as default
Power requirements	Battery
	3 cell, 43 Whr, li polymer
	Long life
	Fast charge technology
	Smart AC adapters
	65 W, right angle, 4.5 mm, 1.8 m (6.0 ft)
	45 W, right angle, 4.5 mm, 1.8 m (6.0 ft)
	Power cord
	C5, 1.0 m (3.3 ft) conventional
Security	Trusted Platform Module (TPM) 2.0
	Fingerprint reader (select products only)
Operating system	Windows® 10 Home 64
	Windows 10 Home 64 Plus
	Windows 10 Home 64 Plus Single Language
	Windows 10 Home 64 Plus Single Language Africa Market PPP
	Windows 10 Home 64 Single Language
	Windows 10 Home 64 Single Language Africa Market PPP
	Windows 10 Home 64 Single Language Value Africa Market PPP
	Windows 10 Home 64 Value Single Language
	Windows 10 Home S 64
	Windows 10 Pro 64
Serviceability	End user replaceable parts
	AC adapter

2 Getting to know your computer

Your computer features top-rated components. This chapter provides details about your components, where they are located, and how they work.

Right side

Identify the components on the right side of the computer.

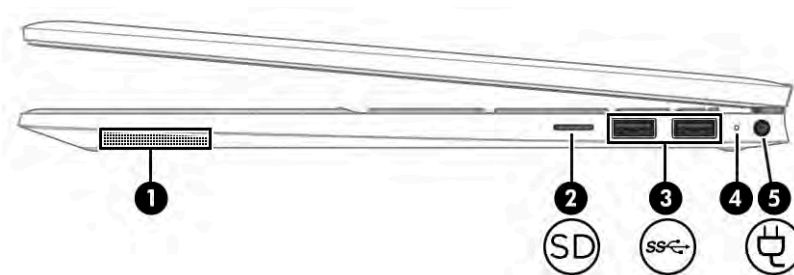


Table 2-1 Right-side components and their descriptions




Component	Description
(1) Speaker	Produces sound.
(2)  microSD™ memory card reader	Reads optional memory cards that enable you to store, manage, share, or access information. To insert a card: <ol style="list-style-type: none">1. Hold the card label-side up, with connectors facing the computer.2. Insert the card into the memory card reader, and then press in on the card until it is firmly seated. To remove a card: <ul style="list-style-type: none">▲ Press in on the card, and then remove it from the memory card reader.
(3)  USB SuperSpeed ports (2)	Connect a USB device, provide high-speed data transfer, and (for select products) charge small devices (such as a smartphone) when the computer is on or in Sleep mode. NOTE: Use a standard USB Type-A charging cable or cable adapter (purchased separately) when charging a small external device.
(4) AC adapter and battery light	<ul style="list-style-type: none">• White: The AC adapter is connected and the battery is fully charged.• Blinking amber: The AC adapter is disconnected and the battery has reached a low battery level.• Amber: The AC adapter is connected and the battery is charging.

Table 2-1 Right-side components and their descriptions (continued)

Component	Description
(5)  Power connector	Connects an AC adapter. <ul style="list-style-type: none">• Off: The battery is not charging.

Left side

Identify the components on the left side of the computer.

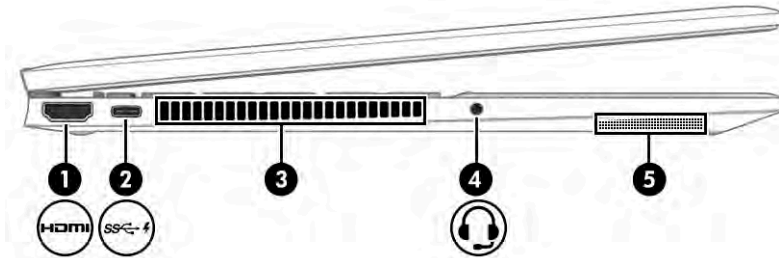


Table 2-2 Left-side components and their descriptions




Component	Description
(1)  HDMI port	Connects an optional video or audio device, such as a high-definition television, any compatible digital or audio component, or a high-speed High-Definition Multimedia Interface (HDMI) device.
(2)  USB Type-C® power connector and SuperSpeed port	Connects an AC adapter that has a USB Type-C connector, supplying power to the computer and, if needed, charging the computer battery. – and – Connects a USB device, provides high-speed data transfer, and (for select products) charges small devices (such as a smartphone) when the computer is on or in Sleep mode. NOTE: Use a standard USB Type-C charging cable or cable adapter (purchased separately) when charging a small external device. – and – Connects a display device that has a USB Type-C connector, providing DisplayPort™ output.
(3) Vent	Enables airflow to cool internal components. NOTE: The computer fan starts up automatically to cool internal components and prevent overheating. It is normal for the internal fan to cycle on and off during routine operation.
(4)  Audio-out (headphone)/Audio-in (microphone) combo jack	Connects optional powered stereo speakers, headphones, earbuds, a headset, or a television audio cable. Also connects an optional headset microphone. This jack does not support optional standalone microphones.

Table 2-2 Left-side components and their descriptions (continued)

Component	Description
(5)	Speaker

WARNING! To reduce the risk of personal injury, adjust the volume before putting on headphones, earbuds, or a headset. For additional safety information, see the *Regulatory, Safety, and Environmental Notices*.

To access this guide:

- ▲ Type **HP Documentation** in the taskbar search box, and then select **HP Documentation**.

NOTE: When a device is connected to the jack, the computer speakers are disabled.

Display

The computer display can include essential components such as speakers, antennas, cameras, and microphones.

Low blue light mode (select products only)

Your computer display is shipped from the factory in low blue light mode for improved eye comfort and safety. Also, blue light mode automatically adjusts blue light emissions when you are using the computer at night or for reading.

WARNING! To reduce the risk of serious injury, read the *Safety & Comfort Guide*. It describes proper workstation setup and proper posture, health, and work habits for computer users. The *Safety & Comfort Guide* also provides important electrical and mechanical safety information. The *Safety & Comfort Guide* is available on the web at <http://www.hp.com/ergo>.

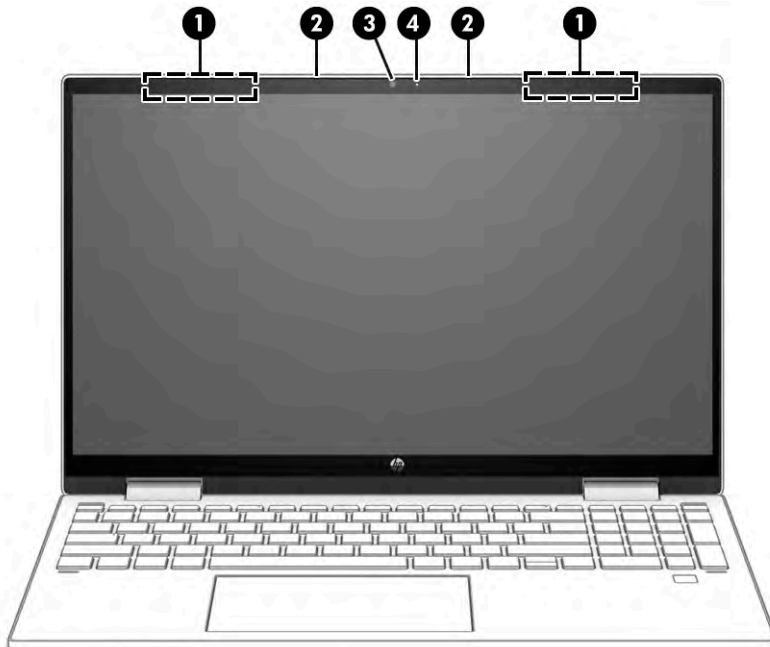


Table 2-3 Display components and their descriptions

Component	Description
(1) WLAN antennas*	Send and receive wireless signals to communicate with wireless local area networks (WLANs).
(2) Internal microphones (2)	Record sound.
(3) Camera	Allows you to video chat, record video, and record still images. Some cameras also allow a facial recognition logon to Windows, instead of a password logon. NOTE: Camera functions vary depending on the camera hardware and software installed on your product.
(4) Camera light	On: The camera is in use.

*The antennas are not visible from the outside of the computer. For optimal transmission, keep the areas immediately around the antennas free from obstructions.

For wireless regulatory notices, see the section of the *Regulatory, Safety, and Environmental Notices* that applies to your country or region.

To access this guide:

▲ Type `HP Documentation` in the taskbar search box, and then select **HP Documentation**.

Keyboard area

Keyboards can vary by language.

Touchpad settings and components

Learn the touchpad settings and components

Touchpad settings

Learn how to adjust touchpad settings.

Adjusting touchpad settings

Use these steps to adjust touchpad settings and gestures.

1. Type `touchpad settings` in the taskbar search box, and then press **enter**.
2. Choose a setting.

Turning on the touchpad

Follow these steps to turn on the touchpad.

1. Type `touchpad settings` in the taskbar search box, and then press **enter**.
2. Using an external mouse, click the **touchpad** button.

If you are not using an external mouse, press the **Tab** key repeatedly until the pointer rests on the **touchpad** button. Then press the **spacebar** to select the button.

Touchpad components

Identify the touchpad components.



Table 2-4 Touchpad components and their descriptions

Component	Description
(1)	Touchpad zone Reads your finger gestures to move the pointer or activate items on the screen.
(2)	Left control zone Textured area that allows you to perform additional gestures.
(3)	Right control zone Textured area that allows you to perform additional gestures.

Lights

Identify the lights on the computer.

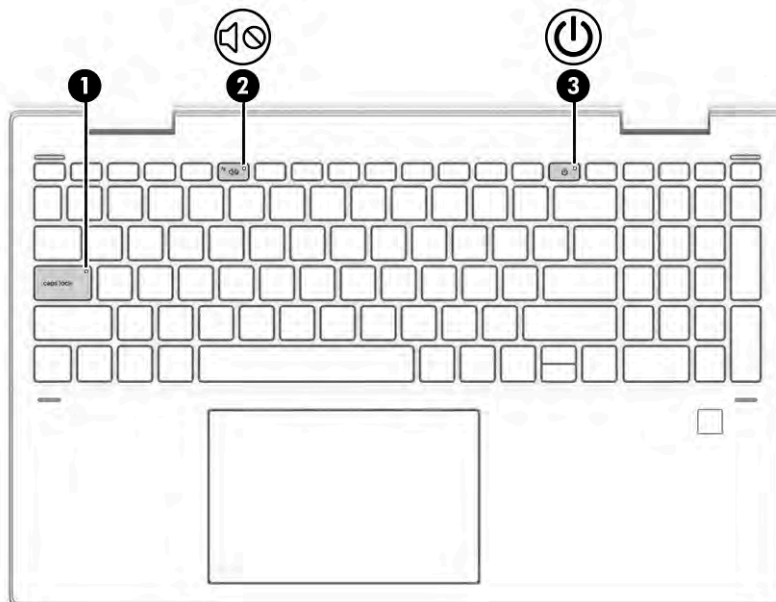


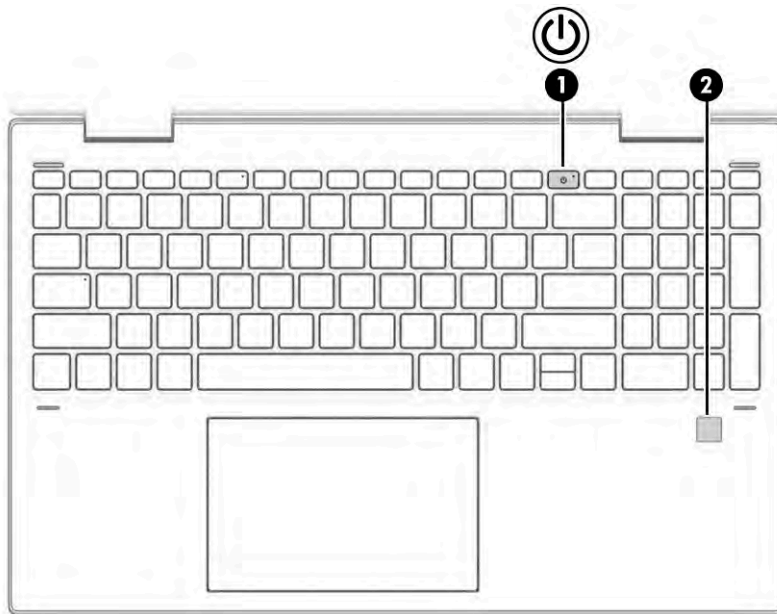


Table 2-5 Lights and their descriptions

Component	Description
(1) Caps lock light	On: Caps lock is on, which switches the key input to all capital letters.
(2)  Mute light	<ul style="list-style-type: none">On: Computer sound is off.Off: Computer sound is on.
(3)  Power light	<ul style="list-style-type: none">On: The computer is on.Blinking (select products only): The computer is in the Sleep state, a power-saving state. The computer shuts off power to the display and other unnecessary components.Off: Depending on your computer model, the computer is off, in Hibernation, or in Sleep. Hibernation is the power-saving state that uses the least amount of power.

Button and fingerprint reader

Identify the computer button and fingerprint reader.



Fingerprint readers, which enable a fingerprint logon, can be located on the touchpad, on a side panel of the computer, or on the top cover below the keyboard.


 **IMPORTANT:** To verify that your computer supports fingerprint reader sign-in, type *Sign-in options* in the taskbar search box and follow the on-screen instructions. If **Fingerprint reader** is not listed as an option, then your computer does not include a fingerprint reader.

Table 2-6 Button and fingerprint reader and their descriptions



Component	Description
(1)  Power button	<ul style="list-style-type: none">When the computer is off, press the button briefly to turn on the computer.

Table 2-6 Button and fingerprint reader and their descriptions (continued)

Component	Description
	<ul style="list-style-type: none"> When the computer is on, press the button briefly to initiate Sleep. When the computer is in the Sleep state, press the button briefly to exit Sleep (select products only). When the computer is in Hibernation, press the button briefly to exit Hibernation. <p>IMPORTANT: Pressing and holding down the power button results in the loss of unsaved information.</p> <p>If the computer has stopped responding and shutdown procedures are ineffective, press and hold the power button down for at least 10 seconds to turn off the computer.</p> <p>To learn more about your power settings, see your power options:</p> <ul style="list-style-type: none"> ▲ Right-click the Power icon , and then select Power Options.
(2) Fingerprint reader (select products only)	<p>Allows a fingerprint logon to Windows, instead of a password logon.</p> <ul style="list-style-type: none"> ▲ Swipe down across the fingerprint reader. <p>IMPORTANT: To prevent fingerprint logon issues, be sure when you register your fingerprint that all sides of your finger are registered by the fingerprint reader.</p>

Special keys

Identify the special keys.

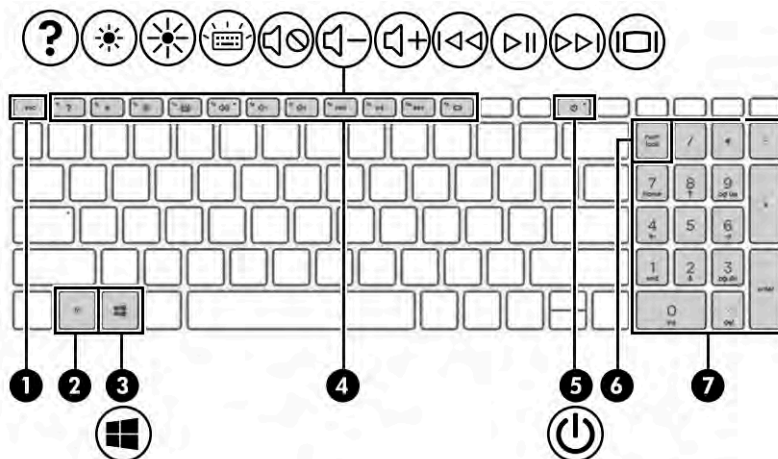





Table 2-7 Special keys and their descriptions

Component	Description
(1) <code>esc</code> key	Displays system information when pressed in combination with the <code>fn</code> key.

Table 2-7 Special keys and their descriptions (continued)

Component	Description
(2) fn key	Executes specific functions when pressed in combination with another key.
(3)  Windows key	Opens the Start menu. NOTE: Pressing the Windows key again will close the Start menu.
(4) Action keys	Execute frequently used system functions as defined by the icon symbols on f1 through f12 function keys.
(5)  Power button	<ul style="list-style-type: none">• When the computer is off, press the button briefly to turn on the computer.• When the computer is on, press the button briefly to initiate Sleep.• When the computer is in the Sleep state, press the button briefly to exit Sleep (select products only).• When the computer is in Hibernation, press the button briefly to exit Hibernation. <p>IMPORTANT: Pressing and holding down the power button results in the loss of unsaved information.</p> <p>If the computer has stopped responding and shutdown procedures are ineffective, press and hold the power button down for at least 10 seconds to turn off the computer.</p> <p>To learn more about your power settings, see your power options:</p> <p>▲ Right-click the Power icon , and then select Power Options.</p>
(6) num lock key	Alternates between the navigational and numeric functions on the integrated numeric keypad.
(7) Integrated numeric keypad	A separate keypad to the right of the alphabet keyboard. When num lock is pressed, the keypad can be used like an external numeric keypad. NOTE: If the keypad function is active when the computer is turned off, that function is reinstated when the computer is turned back on.

Bottom

Identify the bottom components.

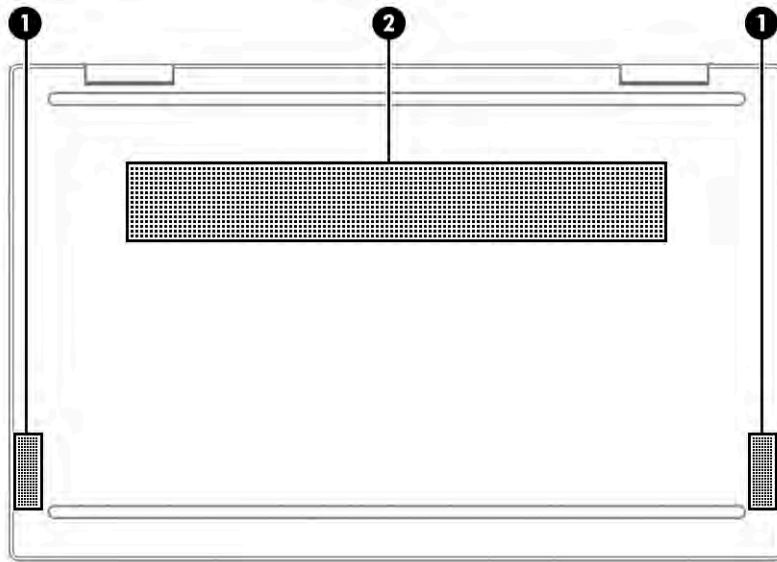


Table 2-8 Bottom components and their descriptions

Component		Description
(1)	Speakers (2)	Produce sound.
(2)	Vent	Enables airflow to cool internal components.

NOTE: The computer fan starts up automatically to cool internal components and prevent overheating. It is normal for the internal fan to cycle on and off during routine operation.

Labels

The labels affixed to the computer provide information that you might need when you troubleshoot system problems or travel internationally with the computer. Labels can be in paper form or imprinted on the product.

IMPORTANT: Check the following locations for the labels described in this section: the bottom of the computer, inside the battery bay, under the service door, on the back of the display, or on the bottom of a tablet kickstand.

- Service label—Provides important information to identify your computer. When contacting support, you might be asked for the serial number, the product number, or the model number. Locate this information before you contact support.

Your service label will resemble one of the following examples. Refer to the illustration that most closely matches the service label on your computer.

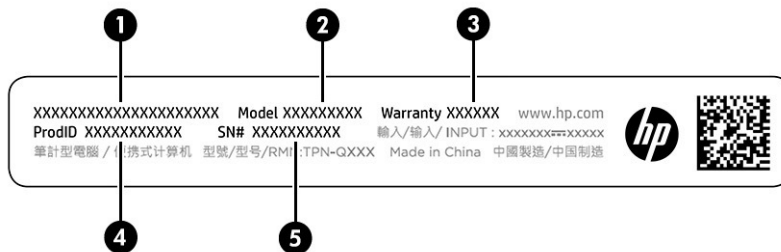


Table 2-9 Service label components

Component	
(1)	HP product name
(2)	Model number
(3)	Warranty period
(4)	Product ID
(5)	Serial number

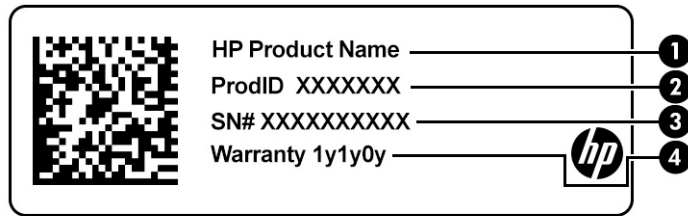


Table 2-10 Service label components

Component	
(1)	HP product name
(2)	Product ID
(3)	Serial number
(4)	Warranty period

- Regulatory label(s)—Provide(s) regulatory information about the computer.
- Wireless certification label(s)—Provide(s) information about optional wireless devices and the approval markings for the countries or regions in which the devices have been approved for use.

3 Illustrated parts catalog

Use this table to determine the spare parts that are available for the computer.

Computer major components

To identify the computer major components, use this illustration and table.

NOTE: HP continually improves and changes product parts. For complete and current information about supported parts for your computer, go to <http://partsurfer.hp.com>, select your country or region, and then follow the on-screen instructions.

NOTE: Details about your computer, including model, serial number, product key, and length of warranty, are on the service tag at the bottom of your computer.

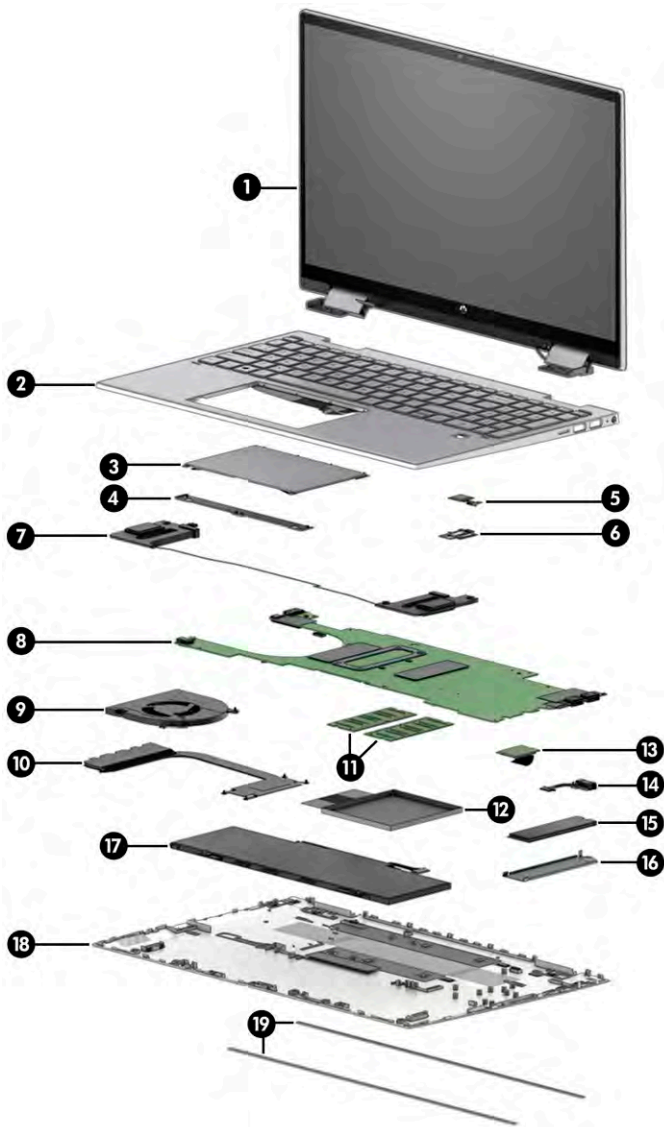


Table 3-1 Computer major component descriptions and part numbers

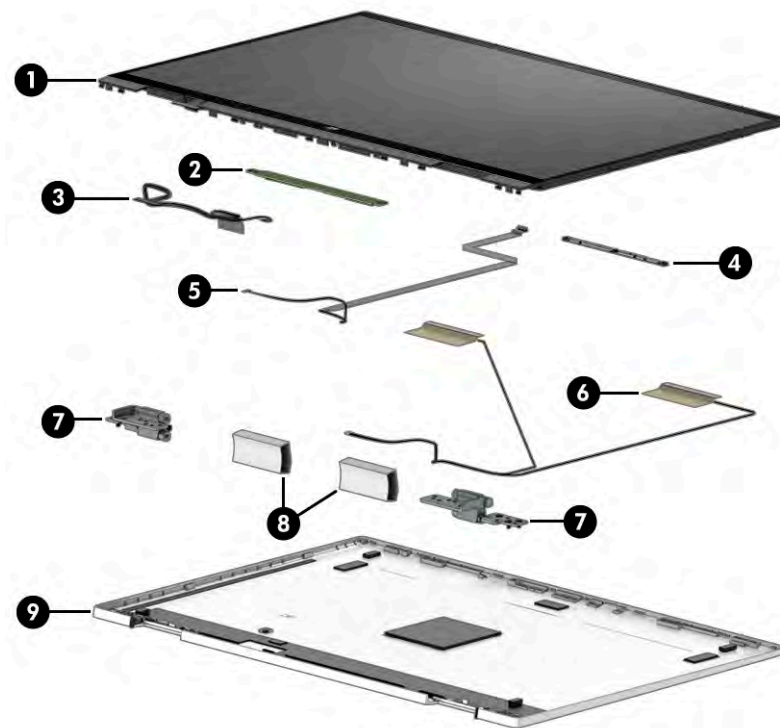
Item	Component	Spare part number
(1)	Display assembly NOTE: Display spare parts are available only as subcomponents.	not available as a spare part
(2)	Top cover/keyboard	
	Not backlit, no fingerprint reader	M45127-xx1
	Not backlit, includes fingerprint reader	M45128-xx1
	Backlit, no fingerprint reader	M45129-xx1
	Backlit, includes fingerprint reader	M45130-xx1
(3)	Touchpad NOTE: The touchpad cable is available as spare part number M45112-001.	M45111-001
(4)	Touchpad bracket	not available as a spare part
(5)	Fingerprint reader NOTE: The fingerprint reader cable is available in the Cable Kit as spare part number M45391-001.	M45007-001
(6)	Fingerprint reader bracket	not available as a spare part
(7)	Speakers (left and right)	M45122-001
(8)	System board (includes integrated processor)	
	Intel Core i7-1165G7	M45125-601
	Intel Core i5-1135G7	M45124-601
	Intel Core i3-1125G4	M46656-601
	Intel Core i3-1115G4	M45123-601
	Intel Pentium Gold 7505	M45126-601
(9)	Fan	M45131-001
(10)	Heat sink (includes replacement thermal material)	M45132-001
(11)	Memory modules (DDR4, PC-3200)	
	8 GB	L46598-005
	4 GB	L83673-005
(12)	Memory cover	not available as a spare part
(13)	WLAN module	
	Intel Wi-Fi 6 AX201 802.11ax (2 × 2) and Bluetooth 5 (non-vPro)	L92724-005
	Intel Wireless-AC 9461 802.11ac 1 × 1 Wi-Fi + Bluetooth 5	L25889-005
	Realtek Wi-Fi 6 RTL8852AE-VT + Bluetooth 5.2	M34029-005
(14)	Power connector cable	M45022-001
(15)	Solid-state drive (PCIe)	

Table 3-1 Computer major component descriptions and part numbers (continued)

Item	Component	Spare part number
	NOTE: The thermal pad for use with solid-state drives are available as spare part number M45025-001.	
	1 TB	L85370-005
	512 GB	L85364-005
	512 GB, PCIe + 32 GB Optane memory	L85366-005
	256 GB, PCIe	L85354-005
	256 GB, PCIe + 16 GB Optane memory	L85356-005
(16)	Solid-state drive cover	not available as a spare part
(17)	Battery (3 cell, 43 Whr)	M24648-006
(18)	Bottom cover	M45109-001
(19)	Rubber feet	M45110-001

Display assembly subcomponents

To identify the display assembly subcomponents, use this illustration and table.

**Table 3-2 Display component descriptions and part numbers**

Item	Component	Spare part number
(1)	Touch panel kit	
	HD	M45119-001

Table 3-2 Display component descriptions and part numbers (continued)

Item	Component	Spare part number
	FHD	M45118-001
(2)	Touch control board	not available as a spare part
(3)	Display/touch control board cable	M45120-001
(4)	Camera module	M48775-001
(5)	Camera cable	M45390-001
(6)	WLAN antennas and cables	M45106-001
(7)	Hinges (left and right)	M07104-001
	FHD models	M45115-001
	HD models	M45114-001
(8)	Hinge covers	
	FHD models	M45117-001
	HD models	M45116-001
(9)	Display back cover	
	HD models	M45107-001
	FHD models	M45108-001

Miscellaneous parts

To identify the miscellaneous parts, use this table.

Table 3-3 Miscellaneous part descriptions and part numbers

Component	Spare part number
AC adapters	
65 W, nPFC, SMART, 3 pin, 4.5 mm	710412-001
45 W, nPFC, SMART, RC, 4.5 mm, nonslim	741727-001
Screw Kit	M45121-001
Miscellaneous Adhesive Tape Kit	M45133-001
External DVD±RW drive	747080-001
Active pen, Sunwoda	910942-001
Pen tip, Sunwoda	L04536-001
Zenvo Pen with cable	L95614-001
Adapters	
HDMI-to-VGA adapter	701943-001
USB-to-Gigabit RJ-45 adapter	829941-001

Table 3-3 Miscellaneous part descriptions and part numbers (continued)

Component	Spare part number
USB-C-to-RJ-45 adapter	855560-001
USB-C-to-HDMI 2.0 adapter	935325-001
USB-C-to-USB-A adapter	833960-001
Power cord (C5, conventional, 1.0 m [3.3 ft])	
Denmark	L19360-001
Europe (Austria, Belgium, Finland, France, Germany, the Netherlands, Norway, and Sweden)	L19361-001
Israel	L19362-001
North America	L19367-001
South Africa	L19369-001
Switzerland	L19370-001
The United Kingdom	L19373-001

4 Removal and replacement procedures preliminary requirements

Use this information to properly prepare to disassemble and reassemble the computer.


Tools required

You need the following tools to complete the removal and replacement procedures:

- Nonconductive, nonmarking pry tool
- Magnetic Phillips P1 screwdriver

Service considerations

The following sections include some of the considerations that you must keep in mind during disassembly and assembly procedures.


 **NOTE:** As you remove each subassembly from the computer, place the subassembly (and all accompanying screws) away from the work area to prevent damage.

Plastic parts

Using excessive force during disassembly and reassembly can damage plastic parts.

Cables and connectors

Handle cables with extreme care to avoid damage.

 **IMPORTANT:** When servicing the computer, be sure that cables are placed in their proper locations during the reassembly process. Improper cable placement can damage the computer.

Apply only the tension required to unseat or seat the cables during removal and insertion. Handle cables by the connector whenever possible. In all cases, avoid bending, twisting, or tearing cables. Be sure that cables are routed so that they cannot be caught or snagged as you remove or replace parts. Handle flex cables with extreme care; these cables tear easily.

Drive handling

Note the following guidelines when handling drives.



IMPORTANT: Drives are fragile components. Handle them with care. To prevent damage to the computer, damage to a drive, or loss of information, observe these precautions:

Before removing or inserting a hard drive, shut down the computer. If you are unsure whether the computer is off or in Hibernation, turn the computer on, and then shut it down through the operating system.

Before handling a drive, be sure that you are discharged of static electricity. While handling a drive, avoid touching the connector.

Before removing an optical drive, be sure that a disc is not in the drive, and be sure that the optical drive tray is closed.

Handle drives on surfaces covered with at least 2.54 cm (1 inch) of shock-proof foam.

Avoid dropping drives from any height onto any surface.

After removing a hard drive or an optical drive, place it in a static-proof bag.

Avoid exposing an internal hard drive to products that have magnetic fields, such as monitors or speakers.

Avoid exposing a drive to temperature extremes or liquids.

If a drive must be mailed, place the drive in a bubble pack mailer or other suitable form of protective packaging, and label the package “FRAGILE.”

Electrostatic discharge information

A sudden discharge of static electricity from your finger or other conductor can destroy static-sensitive devices or microcircuitry. Often the spark is neither felt nor heard, but damage occurs. An electronic device exposed to electrostatic discharge (ESD) might not appear to be affected at all and can work perfectly throughout a normal cycle. The device might function normally for a while, but it has been degraded in the internal layers, reducing its life expectancy.

Networks built into many integrated circuits provide some protection, but in many cases, the discharge contains enough power to alter device parameters or melt silicon junctions.



IMPORTANT: To prevent damage to the device when you remove or install internal components, observe these precautions:

Keep components in their electrostatic-safe containers until you are ready to install them.

Before touching an electronic component, discharge static electricity by using the guidelines described [Personal grounding methods and equipment on page 21](#).

Avoid touching pins, leads, and circuitry. Handle electronic components as little as possible.

If you remove a component, place it in an electrostatic-safe container.

Generating static electricity

Follow these static electricity guidelines.

- Different activities generate different amounts of static electricity.
- Static electricity increases as humidity decreases.

Table 4-1 Static electricity occurrence based on activity and humidity

Event	Relative humidity		
	55%	40%	10%
Walking across carpet	7,500 V	15,000 V	35,000 V

Table 4-1 Static electricity occurrence based on activity and humidity (continued)

	Relative humidity		
Walking across vinyl floor	3,000 V	5,000 V	12,000 V
Motions of bench worker	400 V	800 V	6,000 V
Removing DIPs (dual in-line packages) from plastic tube	400 V	700 V	2,000 V
Removing DIPs from vinyl tray	2,000 V	4,000 V	11,500 V
Removing DIPs from polystyrene foam	3,500 V	5,000 V	14,500 V
Removing bubble pack from PCB (printed circuit board)	7,000 V	20,000 V	26,500 V
Packing PCBs in foam-lined box	5,000 V	11,000 V	21,000 V

Multiple electric components can be packaged together in plastic tubes, trays, or polystyrene foam.

 **NOTE:** As little as 700 V can degrade a product.

Preventing electrostatic damage to equipment

Many electronic components are sensitive to ESD. Circuitry design and structure determine the degree of sensitivity. The following packaging and grounding precautions are necessary to prevent static electricity damage to electronic components.

- To avoid hand contact, transport products in static-safe containers such as tubes, bags, or boxes.
- Protect all electrostatic parts and assemblies with conductive or approved containers or packaging.
- Keep electrostatic-sensitive parts in their containers until they arrive at static-free stations.
- Place items on a grounded surface before removing them from their container.
- Always be properly grounded when touching a sensitive component or assembly.
- Avoid contact with pins, leads, or circuitry.
- Place reusable electrostatic-sensitive parts from assemblies in protective packaging or conductive foam.

Personal grounding methods and equipment

Using certain equipment can prevent static electricity damage to electronic components.

- **Wrist straps** are flexible straps with a maximum of 1 M Ω \pm 10% resistance in the ground cords. To provide proper ground, a strap must be worn snug against bare skin. The ground cord must be connected and fit snugly into the banana plug connector on the grounding mat or workstation.
- **Heel straps/Toe straps/Boot straps** can be used at standing workstations and are compatible with most types of shoes or boots. On conductive floors or dissipative floor mats, use them on both feet with a maximum of 1 M Ω \pm 10% resistance between the operator and ground.

Table 4-2 Static shielding protection levels

Static shielding protection levels	
Method	Voltage
Antistatic plastic	1,500

Table 4-2 Static shielding protection levels (continued)

Static shielding protection levels	
Carbon-loaded plastic	7,500
Metallized laminate	15,000

Grounding the work area

To prevent static damage at the work area, follow these precautions.

- Cover the work surface with approved static-dissipative material.
- Use a wrist strap connected to a properly grounded work surface and use properly grounded tools and equipment.
- Use static-dissipative mats, foot straps, or air ionizers to give added protection.
- Handle electrostatic sensitive components, parts, and assemblies by the case or PCB laminate. Handle them only at static-free work areas.
- Turn off power and input signals before inserting and removing connectors or test equipment.
- Use fixtures made of static-safe materials when fixtures must directly contact dissipative surfaces.
- Keep the work area free of nonconductive materials, such as ordinary plastic assembly aids and polystyrene foam.
- Use conductive field service tools, such as cutters, screwdrivers, and vacuums.
- Avoid contact with pins, leads, or circuitry.

Recommended materials and equipment

HP recommends certain materials and equipment to prevent static electricity.

- Antistatic tape
- Antistatic smocks, aprons, or sleeve protectors
- Conductive bins and other assembly or soldering aids
- Conductive foam
- Conductive tabletop workstations with ground cord of $1\text{ M}\Omega \pm 10\%$ resistance
- Static-dissipative table or floor mats with hard tie to ground
- Field service kits
- Static awareness labels
- Wrist straps and footwear straps providing $1\text{ M}\Omega \pm 10\%$ resistance
- Material handling packages
- Conductive plastic bags
- Conductive plastic tubes
- Conductive tote boxes
- Opaque shielding bags

- Transparent metallized shielding bags
- Transparent shielding tubes

Cleaning your computer

Cleaning your computer regularly removes dirt and debris so that your device continues to operate at its best. Use the following information to safely clean the external surfaces of your computer.

Enabling HP Easy Clean (select products only)

HP Easy Clean helps you to avoid accidental input while you clean the computer surfaces. This software disables devices such as the keyboard, touch screen, and touchpad for a preset amount of time so that you can clean all computer surfaces.


1. Start HP Easy Clean in one of the following ways:
 - Select the **Start** menu, and then select **HP Easy Clean**.
 - or –
 - Select the **HP Easy Clean** icon in the taskbar.
 - or –
 - Select **Start**, and then select the **HP Easy Clean** tile.
2. Now that your device is disabled for a short period, see [Removing dirt and debris from your computer on page 23](#) for the recommended steps to clean the high-touch, external surfaces on your computer. After you remove the dirt and debris, you can also clean the surfaces with a disinfectant. See [Cleaning your computer with a disinfectant on page 24](#) for guidelines to help prevent the spread of harmful bacteria and viruses.

Removing dirt and debris from your computer


Here are the recommended steps to clean dirt and debris from your computer.

For computers with wood veneer, see [Caring for wood veneer \(select products only\) on page 25](#).


1. Wear disposable gloves made of latex (or nitrile gloves, if you are latex-sensitive) when cleaning the surfaces.
2. Turn off your device and unplug the power cord and other connected external devices. Remove any installed batteries from items such as wireless keyboards.

 **CAUTION:** To prevent electric shock or damage to components, never clean a product while it is turned on or plugged in.

3. Moisten a microfiber cloth with water. The cloth should be moist, but not dripping wet.

 **IMPORTANT:** To avoid damaging the surface, avoid abrasive cloths, towels, and paper towels.

4. Wipe the exterior of the product gently with the moistened cloth.

 **IMPORTANT:** Keep liquids away from the product. Avoid getting moisture in any openings. If liquid makes its way inside your HP product, it can cause damage to the product. Do not spray liquids directly on the product. Do not use aerosol sprays, solvents, abrasives, or cleaners containing hydrogen peroxide or bleach that might damage the finish.

5. Start with the display (if applicable). Wipe carefully in one direction, and move from the top of the display to the bottom. Finish with any flexible cables, like power cord, keyboard cable, and USB cables.
6. Be sure that surfaces have completely air-dried before turning the device on after cleaning.
7. Discard the gloves after each cleaning. Clean your hands immediately after you remove the gloves.

See [Cleaning your computer with a disinfectant on page 24](#) for recommended steps to clean the high-touch, external surfaces on your computer to help prevent the spread of harmful bacteria and viruses.


Cleaning your computer with a disinfectant

The World Health Organization (WHO) recommends cleaning surfaces, followed by disinfection, as a best practice for preventing the spread of viral respiratory illnesses and harmful bacteria.


After cleaning the external surfaces of your computer using the steps in [Removing dirt and debris from your computer on page 23](#), [Caring for wood veneer \(select products only\) on page 25](#), or both, you might also choose to clean the surfaces with a disinfectant. A disinfectant that is within HP's cleaning guidelines is an alcohol solution consisting of 70% isopropyl alcohol and 30% water. This solution is also known as rubbing alcohol and is sold in most stores.


Follow these steps when disinfecting high-touch, external surfaces on your computer:

1. Wear disposable gloves made of latex (or nitrile gloves, if you are latex-sensitive) when cleaning the surfaces.
2. Turn off your device and unplug the power cord and other connected external devices. Remove any installed batteries from items such as wireless keyboards.


 **CAUTION:** To prevent electric shock or damage to components, never clean a product while it is turned on or plugged in.

3. Moisten a microfiber cloth with a mixture of 70% isopropyl alcohol and 30% water. The cloth should be moist, but not dripping wet.

 **CAUTION:** Do not use any of the following chemicals or any solutions that contain them, including spray-based surface cleaners: bleach, peroxides (including hydrogen peroxide), acetone, ammonia, ethyl alcohol, methylene chloride, or any petroleum-based materials, such as gasoline, paint thinner, benzene, or toluene.

 **IMPORTANT:** To avoid damaging the surface, avoid abrasive cloths, towels, and paper towels.

4. Wipe the exterior of the product gently with the moistened cloth.

 **IMPORTANT:** Keep liquids away from the product. Avoid getting moisture in any openings. If liquid makes its way inside your HP product, it can cause damage to the product. Do not spray liquids directly on the product. Do not use aerosol sprays, solvents, abrasives, or cleaners containing hydrogen peroxide or bleach that might damage the finish.

5. Start with the display (if applicable). Wipe carefully in one direction, and move from the top of the display to the bottom. Finish with any flexible cables, like power cord, keyboard cable, and USB cables.
6. Be sure that surfaces have completely air-dried before turning the device on after cleaning.
7. Discard the gloves after each cleaning. Clean your hands immediately after you remove the gloves.

Caring for wood veneer (select products only)

Your product might feature high-quality wood veneer. As with all natural wood products, proper care is important for best results over the life of the product. Because of the nature of natural wood, you might see unique variations in the grain pattern or subtle variations in color, which are normal.

- Clean the wood with a dry, static-free microfiber cloth or chamois.
- Avoid cleaning products containing substances such as ammonia, methylene chloride, acetone, turpentine, or other petroleum-based solvents.
- Do not expose the wood to sun or moisture for long periods of time.
- If the wood becomes wet, dry it by dabbing with an absorbent, lint-free cloth.
- Avoid contact with any substance that might dye or discolor the wood.
- Avoid contact with sharp objects or rough surfaces that might scratch the wood.

See [Removing dirt and debris from your computer on page 23](#) for the recommended steps to clean the high-touch, external surfaces on your computer. After you remove the dirt and debris, you can also clean the surfaces with a disinfectant. See [Cleaning your computer with a disinfectant on page 24](#) for sanitizing guidelines to help prevent the spread of harmful bacteria and viruses.

Packaging and transporting guidelines

Follow these grounding guidelines when packaging and transporting equipment.

- To avoid hand contact, transport products in static-safe tubes, bags, or boxes.
- Protect ESD-sensitive parts and assemblies with conductive or approved containers or packaging.
- Keep ESD-sensitive parts in their containers until the parts arrive at static-free workstations.
- Place items on a grounded surface before removing items from their containers.
- Always be properly grounded when touching a component or assembly.
- Store reusable ESD-sensitive parts from assemblies in protective packaging or nonconductive foam.
- Use transporters and conveyors made of antistatic belts and roller bushings. Be sure that mechanized equipment used for moving materials is wired to ground and that proper materials are selected to avoid static charging. When grounding is not possible, use an ionizer to dissipate electric charges.


Accessing support information

Use this information to find the HP support that you need.

Table 4-3 Support information locations


Service consideration	Path to access information
Records of reported failure incidents stored on the computer	Windows: Pre-operating system failures are logged in the BIOS Event Log. To view the BIOS Event Log: <ol style="list-style-type: none">1. Press the power button.2. Immediately and repeatedly press <code>esc</code> when the power button light turns white.


Table 4-3 Support information locations (continued)

Service consideration	Path to access information
	<p>NOTE: If you do not press <code>esc</code> at the appropriate time, you must restart the computer and again repeatedly press <code>esc</code> when the power button light turns white to access the utility.</p> <ol style="list-style-type: none"> Press <code>f10</code> to enter the BIOS setup. (On commercial products) Under the Main tab, select BIOS event log, and then select View BIOS Event Log. <p>- or -</p> <p>(On consumer products) Under the Main tab, select System Log.</p> <p>Post operating system failures are logged in the Event Viewer.</p> <ol style="list-style-type: none"> Turn on the computer and allow the operating system to open. Click the search icon  in the taskbar. Type <code>Event Viewer</code>, and then press <code>enter</code>. Select the log from the left panel. Details display in the right panel. <p>Chrome:</p> <ol style="list-style-type: none"> Go to support.google.com/chrome. Search <code>collect Chrome device logs</code>.
Technical bulletins	<p>To locate technical bulletins:</p> <ol style="list-style-type: none"> Go to www.hp.com. Place the cursor over Problem solving to display more options. Select Support & Troubleshooting. Type the serial number, product number, or product name to go to the product support page. Select Advisories to view technical bulletins.
Repair professionals	<p>To locate repair professionals:</p> <ol style="list-style-type: none"> Go to www.hp.com. Place the cursor over Support resources to display more options. Select Authorized service providers.
Component and diagnosis information, failure detection, and required action	<p>To locate diagnosis information and actions:</p> <ol style="list-style-type: none"> Go to http://www.hp.com/go/techcenter/pcdiags. Select Get Support. Near the bottom of the window, select Notebook PCs, and then select your location.

5 Removal and replacement procedures for authorized service provider parts


This chapter provides removal and replacement procedures for authorized service provider parts.

 **IMPORTANT:** Components described in this chapter should be accessed only by an authorized service provider. Accessing these parts can damage the computer or void the warranty.

 **NOTE:** Details about your computer, including model, serial number, product key, and length of warranty, are on the service tag at the bottom of your computer.

Component replacement procedures

To remove and replace computer components, use these procedures.

 **NOTE:** HP continually improves and changes product parts. For complete and current information about supported parts for your computer, go to <http://partsurfer.hp.com>, select your country or region, and then follow the on-screen instructions.

You must remove, replace, or loosen as many as 44 screws when you service the parts described in this chapter. Make special note of each screw size and location during removal and replacement.

Preparation for disassembly

To remove and replace computer components, use these procedures.

See [Removal and replacement procedures preliminary requirements on page 19](#) for initial safety procedures.

1. Turn off the computer. If you are unsure whether the computer is off or in Hibernation, turn the computer on, and then shut it down through the operating system.
2. Disconnect the power from the computer by unplugging the power cord from the computer.
3. Disconnect all external devices from the computer.

Bottom cover and rubber feet

To remove the bottom cover and rubber feet, use this procedure and illustration.

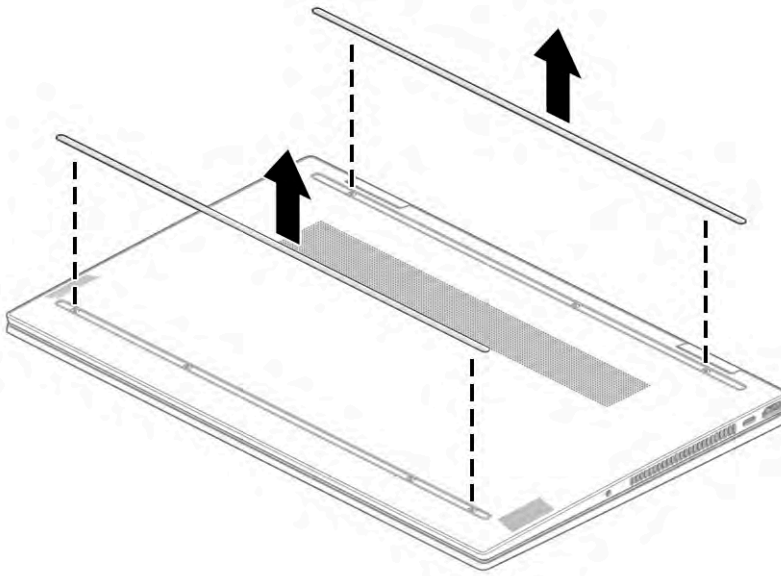
Table 5-1 Bottom cover and rubber feet descriptions and part numbers

Description	Spare part number
Bottom cover	M45109-001
Rubber feet	M45110-001

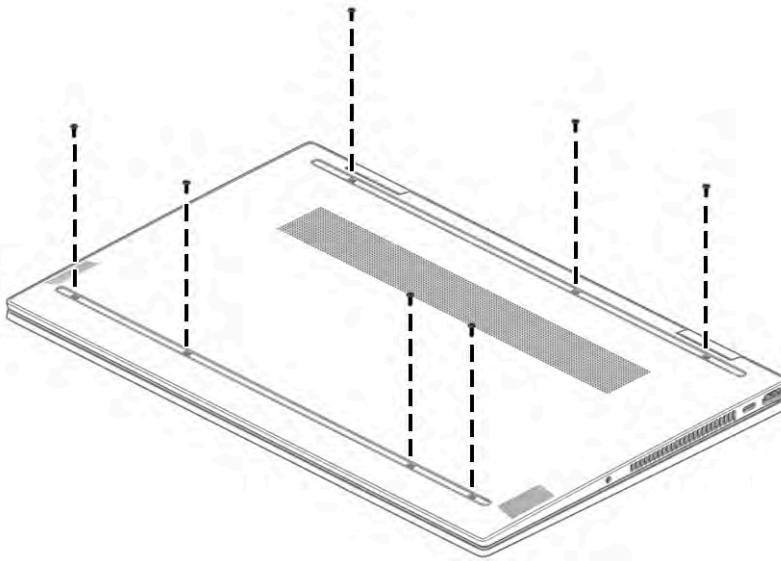
Before removing the bottom cover and rubber feet, prepare the computer for disassembly (see [Preparation for disassembly on page 27](#)).

Remove the rubber feet and bottom cover:

1. Peel the feet off the bottom of the computer.

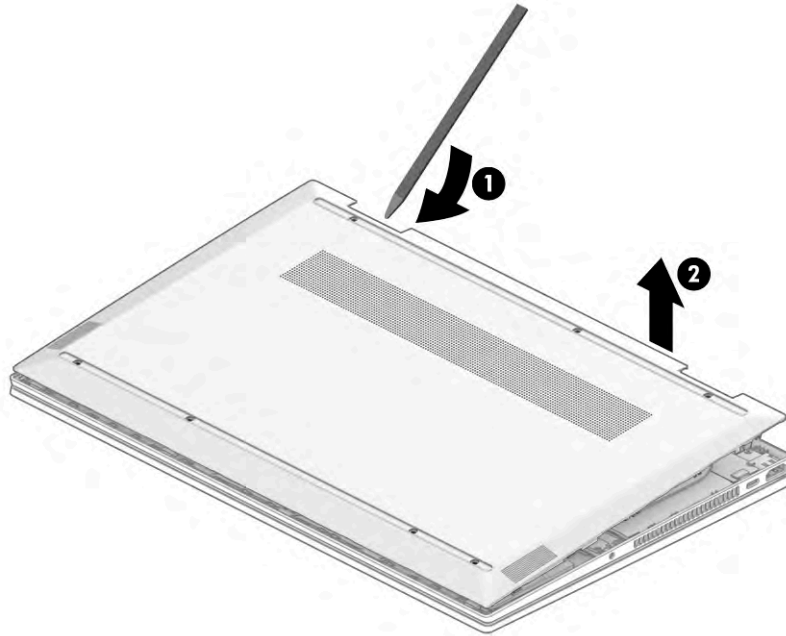


2. Remove the seven Phillips 2.0 × 6.0 screws that secure the bottom cover to the computer.



3. Starting near the hinges, use a nonmarking, nonconductive tool to release the edges of the bottom cover from the computer **(1)**.

4. Remove the bottom cover from the computer (2).



To replace the bottom cover and rubber feet, reverse the removal procedures.

Battery

To remove the battery, use this procedure and illustration.

Table 5-2 Battery description and part number

Description	Spare part number
Battery, 3 cell, 43 Whr	M24648-006

⚠ WARNING! To avoid personal injury and damage to the product:

- Do *not* puncture, twist, or crack the battery.
- Do *not* cause an external puncture or rupture to the battery. They can cause a short inside the battery, which can result in battery thermal runaway.
- Do *not* handle or touch the battery enclosure with sharp objects such as tweezers or pliers, which might puncture the battery.
- Do *not* compress or squeeze the battery case with tools or heavy objects stacked on top of the case. These actions can apply undue force on the battery.
- Do *not* touch the connectors with any metallic surface or object, such as metal tools, screws, or coins, which can cause shorting across the connectors.

Before removing the battery, follow these steps:

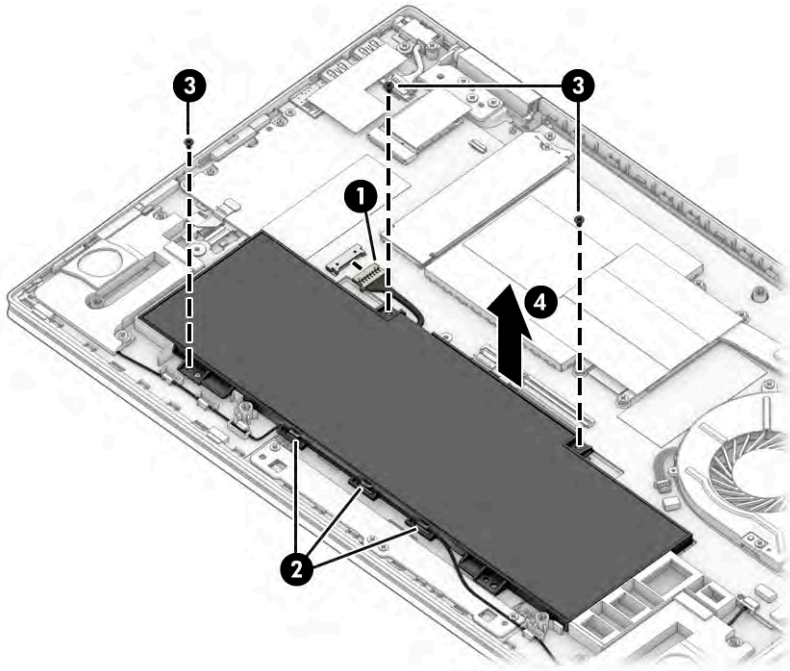
1. Prepare the computer for disassembly (see [Preparation for disassembly on page 27](#)).
2. Remove the bottom cover (see [Bottom cover and rubber feet on page 27](#)).

WARNING! To reduce potential safety issues, use only the user-replaceable battery provided with the computer, a replacement battery provided by HP, or a compatible battery purchased from HP.

IMPORTANT: Removing a battery that is the sole power source for the computer can cause loss of information. To prevent loss of information, save your work or shut down the computer through Windows before you remove the battery.

Remove the battery:

1. Disconnect the battery cable from the system board (1).
2. Remove the speaker cable from the clips along the bottom of the battery (2).
3. Remove the three Phillips M2.0 × 4.0 screws (3) that secure the battery to the computer.
4. Remove the battery from the computer (4).



To install the battery, reverse the removal procedures.

Solid-state drive

To remove the M.2 solid-state drive, use this procedure and illustration.

Table 5-3 Solid-state drive descriptions and part numbers

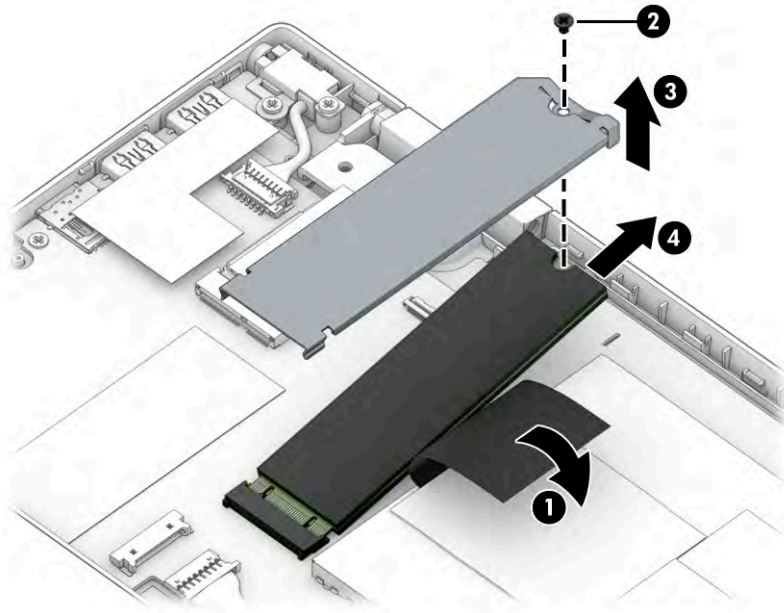
Description	Spare part number
1 TB	L85370-005
512 GB	L85364-005
512 GB, PCIe + 32 GB Optane memory	L85366-001
256 GB, PCIe	L85354-001
256 GB, PCIe + 16 GB Optane memory	L85356-005
Thermal pad for use with solid-state drive	M45025-001

Before removing the solid-state drive, follow these steps:

1. Prepare the computer for disassembly (see [Preparation for disassembly on page 27](#)).
2. Remove the bottom cover (see [Bottom cover and rubber feet on page 27](#)).
3. Disconnect the battery cable from the system board (see [Battery on page 29](#)).

Remove the solid-state drive:

1. Remove the tape that secures the solid-state drive metal cover (1).
2. Remove the Phillips M2.0 × 2.0 screw (2) that secures the cover and drive to the computer.
3. Lift the metal cover off the solid-state drive (3).
4. Pull the drive away from the socket to remove it (4).



To install the solid-state drive, reverse the removal procedures.

Memory modules


To remove the memory modules, use this procedure and illustration.

WLAN module

To remove the WLAN module, use this procedure and illustration.

Table 5-4 WLAN module descriptions and part numbers

Description	Spare part number
Intel Wi-Fi 6 AX201 802.11ax (2 × 2) and Bluetooth 5 (non-vPro)	L92724-005
Intel Wireless-AC 9461 802.11ac 1 × 1 Wi-Fi + Bluetooth 5	L25889-005
Realtek Wi-Fi 6 RTL8852AE-VT + Bluetooth 5.2	M34029-005


 **IMPORTANT:** To prevent an unresponsive system, replace the wireless module only with a wireless module authorized for use in the computer by the governmental agency that regulates wireless devices in your country or region. If you replace the module and then receive a warning message, remove the module to restore device functionality, and then contact technical support.

Before removing the WLAN module, follow these steps:

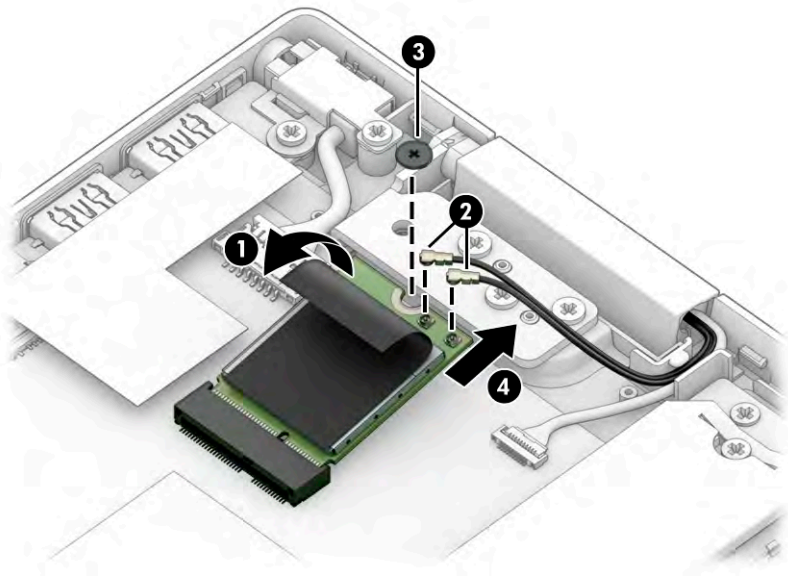
1. Prepare the computer for disassembly (see [Preparation for disassembly on page 27](#)).
2. Remove the bottom cover (see [Bottom cover and rubber feet on page 27](#)).
3. Disconnect the battery cable from the system board (see [Battery on page 29](#)).

Remove the WLAN module:

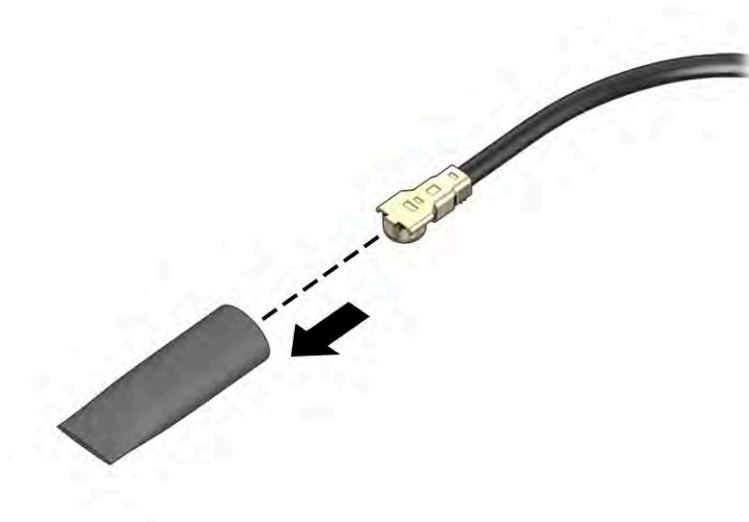
1. Remove the tape from the WLAN module **(1)**.
2. Carefully disconnect the antenna cables from the module **(2)**. Models can have either one or two antennas, depending on configuration.

 **NOTE:** On models with two antennas, the #1 white WLAN antenna cable connects to the WLAN module #1 Main terminal. The #2 black WLAN antenna cable connects to the WLAN module #1 Aux terminal.

3. Remove the Phillips M2.0 × 2.5 screw **(3)**, and then remove the WLAN module **(4)**.



4. If the WLAN antenna is not connected to the terminal on the WLAN module, install a protective sleeve on the antenna connector, as shown in the following illustration.



Reverse this procedure to install the WLAN module.

Speakers

To remove the speakers, use this procedure and illustration.

Table 5-5 Speaker description and part number

Description	Spare part number
Speaker Kit	M45122-001

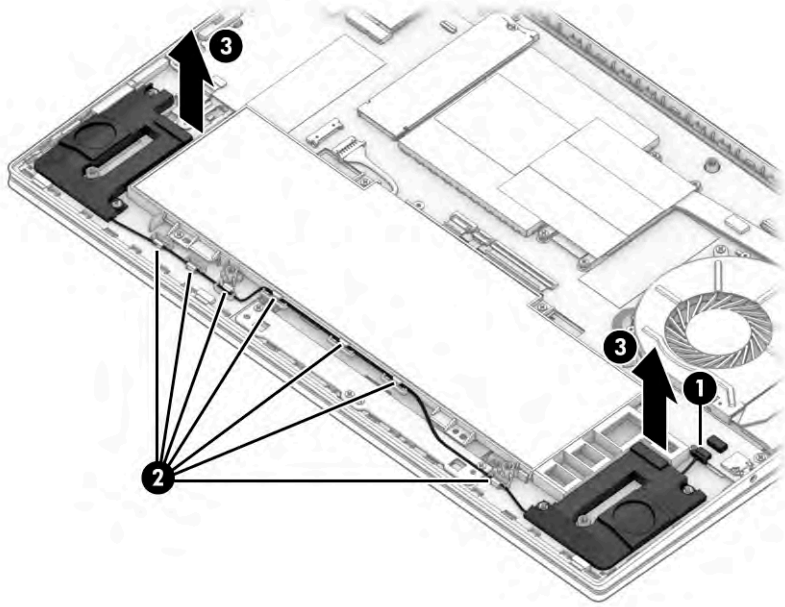
Before removing the speakers, follow these steps:

1. Prepare the computer for disassembly (see [Preparation for disassembly on page 27](#)).
2. Remove the bottom cover (see [Bottom cover and rubber feet on page 27](#)).
3. Disconnect the battery cable from the system board (see [Battery on page 29](#)).

Remove the speakers:

1. Disconnect the speaker cable from the system board **(1)**.
2. Remove the cable between the speakers from the clips along the bottom of the battery **(2)**.

3. Remove the speakers from the computer **(3)** .



Reverse this procedure to install the speakers.

Touchpad

To remove the touchpad, use this procedure and illustration.

Table 5-6 Touchpad description and part number

Description	Spare part number
Touchpad	M45111-001
Touchpad cable	M45112-001

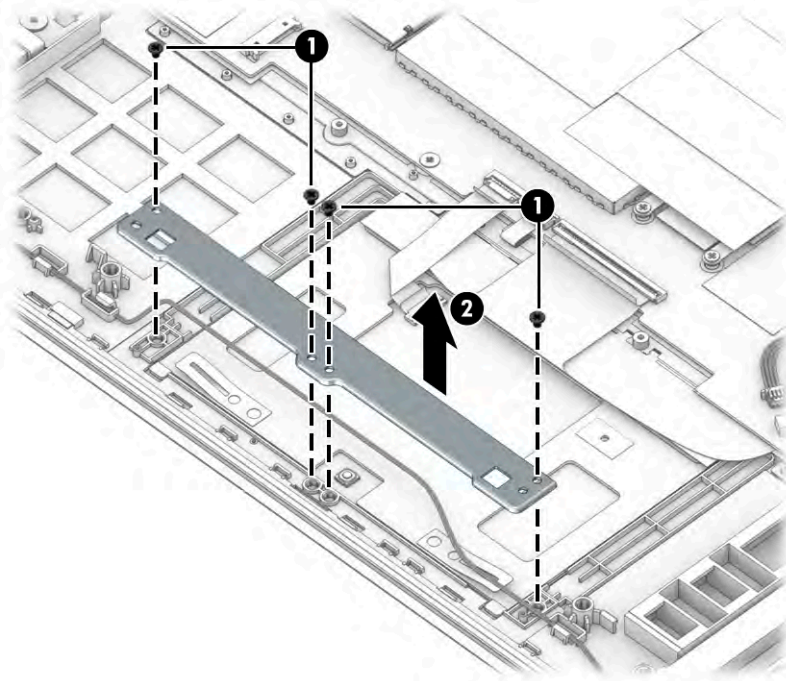
Before removing the touchpad, follow these steps:

1. Prepare the computer for disassembly (see [Preparation for disassembly on page 27](#)).
2. Remove the bottom cover (see [Bottom cover and rubber feet on page 27](#)).
3. Remove the battery (see [Battery on page 29](#)).

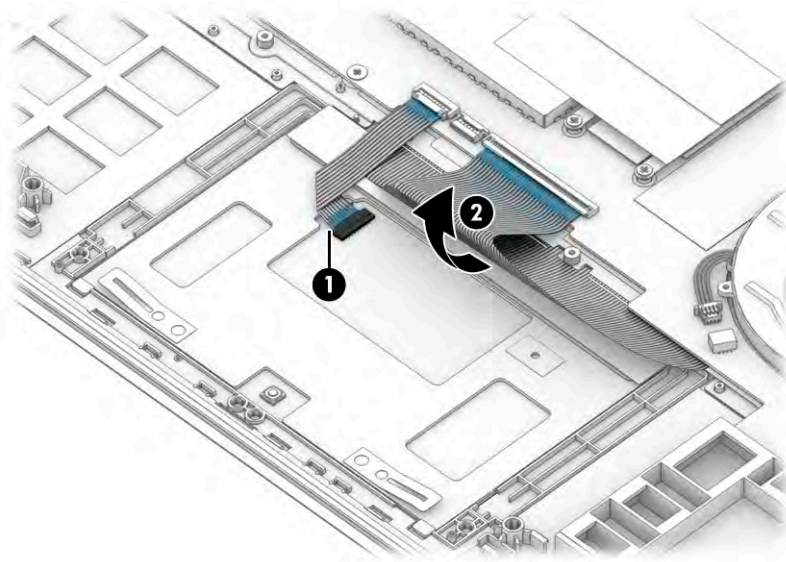
Remove the touchpad:

1. Remove the four Phillips M2.0.× 2.5 screws **(1)** that secure the touchpad bracket to the computer.

2. Remove the bracket from the computer (2).

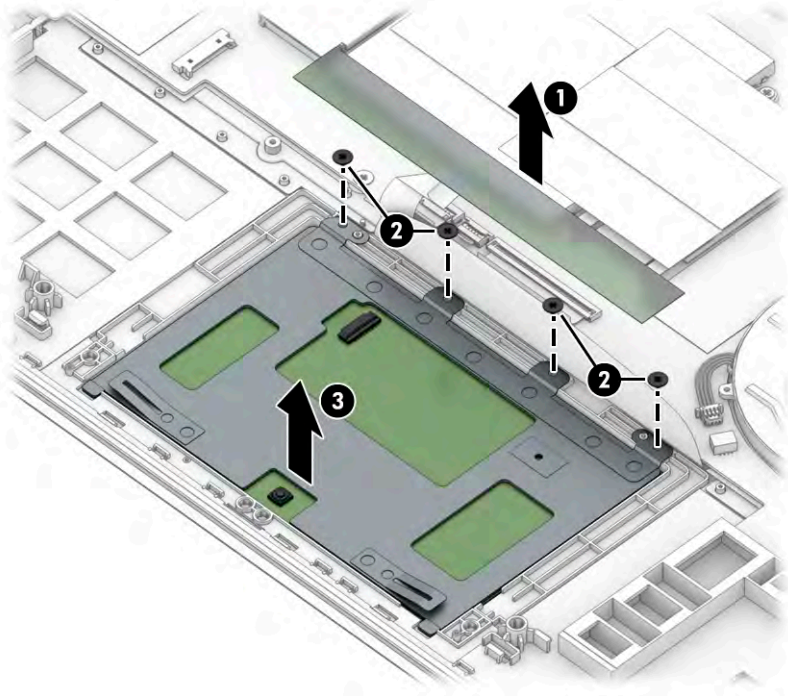


3. Disconnect the cable from the ZIF connector on the touchpad module (1), and lift the keyboard ribbon cable up to gain access to the touchpad screws (2).



4. Remove the tape that covers the touchpad screws (1).
5. Remove the four Phillips M2.0 × 2.0 screws (2) that secure the touchpad to the computer.

6. Remove the touchpad from the computer (3).



Reverse this procedure to install the touchpad.

Fan

To remove the fan, use this procedure and illustration.

Table 5-7 Fan description and part number

Description	Spare part number
Fan	M45131-001

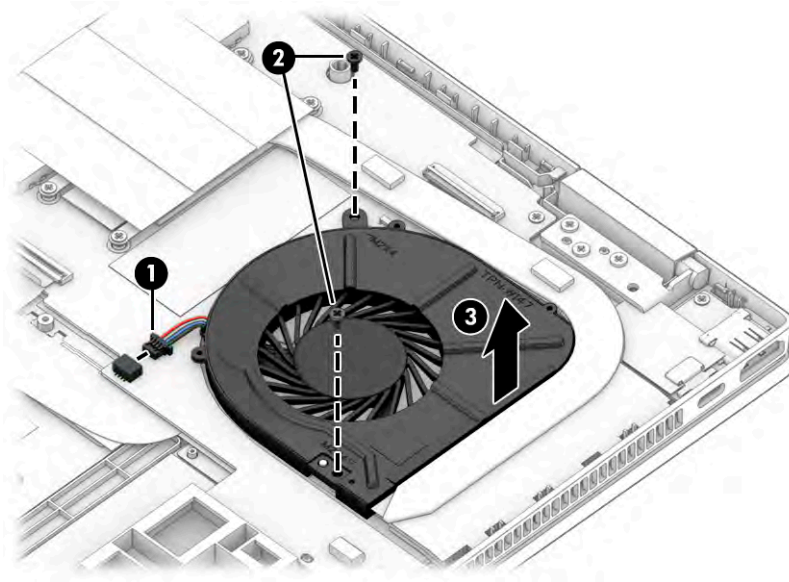
Before removing the fan, follow these steps:

1. Prepare the computer for disassembly (see [Preparation for disassembly on page 27](#)).
2. Remove the bottom cover (see [Bottom cover and rubber feet on page 27](#)).
3. Disconnect the battery cable from the system board (see [Battery on page 29](#)).

Remove the fan assembly:

1. Disconnect the fan cable from the system board (1).

2. Remove the two Phillips M2.0 × 4.0 screws **(2)** that secure the fan to the computer, and then remove the fan from the computer **(3)**.



Reverse this procedure to install the fan assembly.

Heat sink

To remove the heat sink, use these procedures and illustrations.

Table 5-8 Heat sink description and part number

Description	Spare part number
Heat sink	M45132-001

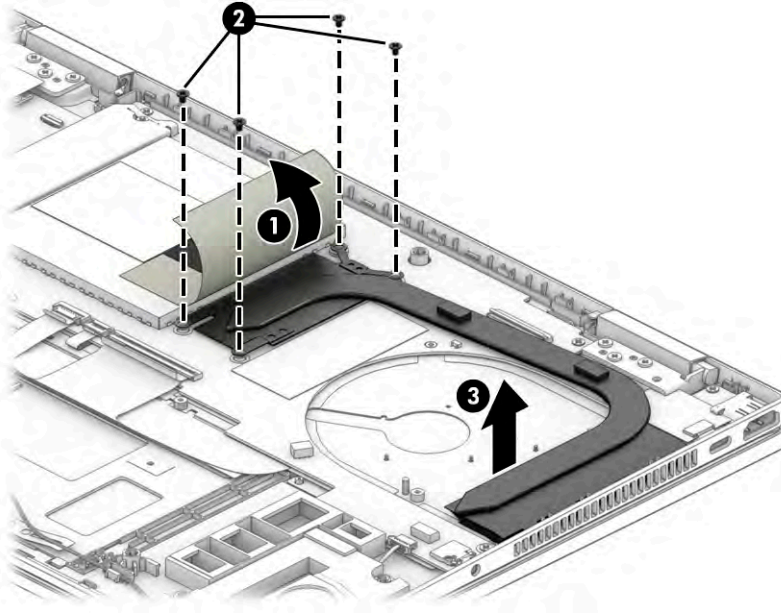
Before removing the heat sink, follow these steps:

1. Prepare the computer for disassembly (see [Preparation for disassembly on page 27](#)).
2. Remove the bottom cover (see [Bottom cover and rubber feet on page 27](#)).
3. Disconnect the battery cable from the system board (see [Battery on page 29](#)).

Remove the heat sink:

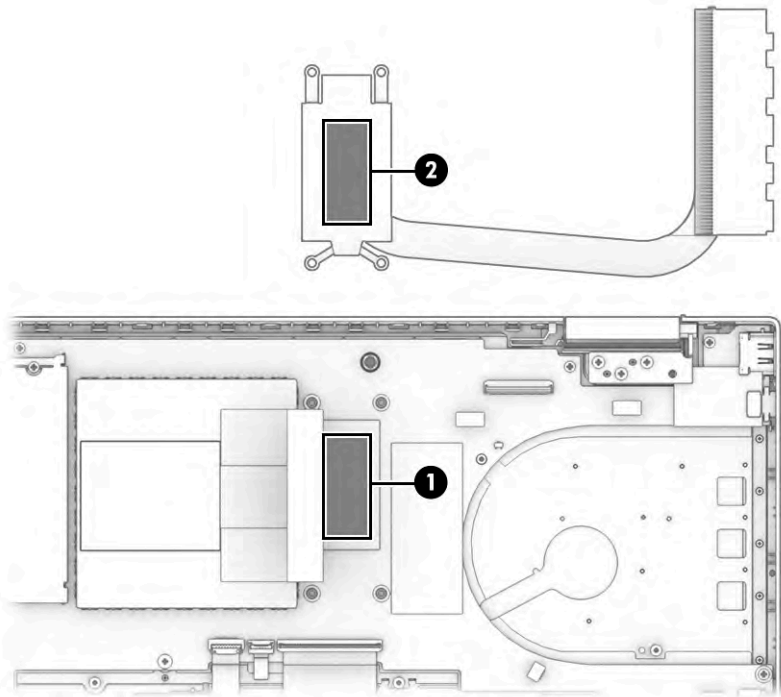
1. Remove tape from the heat sink **(1)**.
2. In the order indicated on the heat sink, remove the four Phillips M2.0 × 3.0 screws **(2)** that secure the heat sink to the computer.

3. Remove the heat sink from the computer (3).



4. Thoroughly clean the thermal material from the surfaces of the heat sink and the system board components each time the heat sink is removed. Replacement thermal material is included with the heat sink and system board spare part kits. The following illustration shows the replacement thermal material locations.

Thermal paste is used on the system board component (1) and on the heat sink area (2) that services it.



Reverse this procedure to install the heat sink.

Power connector cable

To remove the power connector cable, use this procedure and illustration.

Table 5-9 Power connector cable description and part number

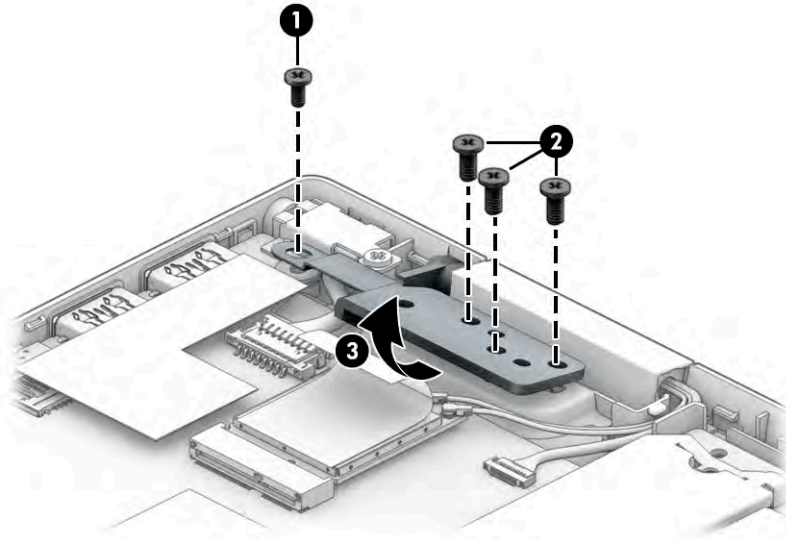
Description	Spare part number
Power connector cable	M45022-001

Before removing the power connector cable, follow these steps:

1. Prepare the computer for disassembly (see [Preparation for disassembly on page 27](#)).
2. Remove the bottom cover (see [Bottom cover and rubber feet on page 27](#)).
3. Disconnect the battery cable from the system board (see [Battery on page 29](#)).

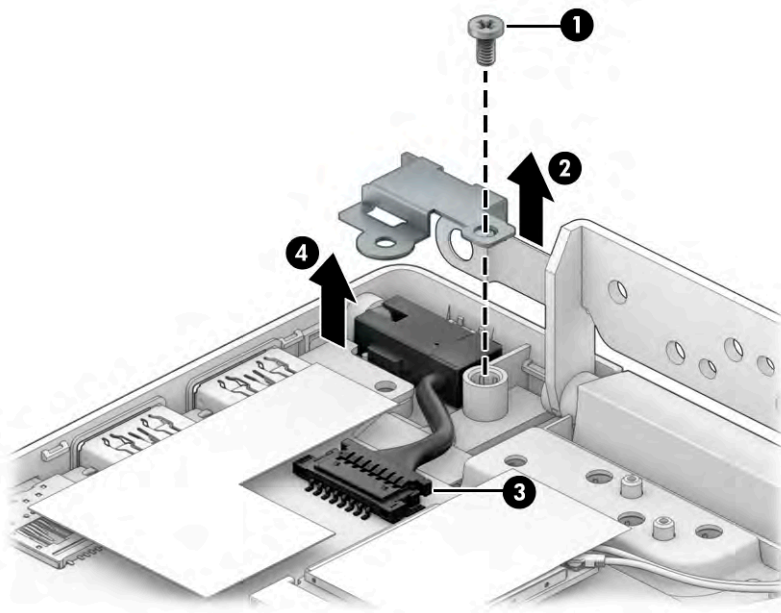
Remove the power connector cable:

1. Remove the Phillips M2.0 × 4.0 screw **(1)** and the three Phillips M2.5 × 5.0 screws **(2)** from the display hinge, and then lift and rotate the hinge off the power connector **(3)**.



2. Remove the Phillips M2.0 × 2.0 screw **(1)** that secures the power connector bracket to the computer, and then remove the bracket **(2)**.

3. Disconnect the power connector cable from the system board **(3)**, and then remove the power connector and cable from the computer **(4)**.



Reverse this procedure to install the power connector cable.

Fingerprint reader (select products only)

To remove the fingerprint reader, use this procedure and illustration.

Table 5-10 Fingerprint reader description and part number

Description	Spare part number
Fingerprint reader	M45007-001
Fingerprint reader cable	M45391-001

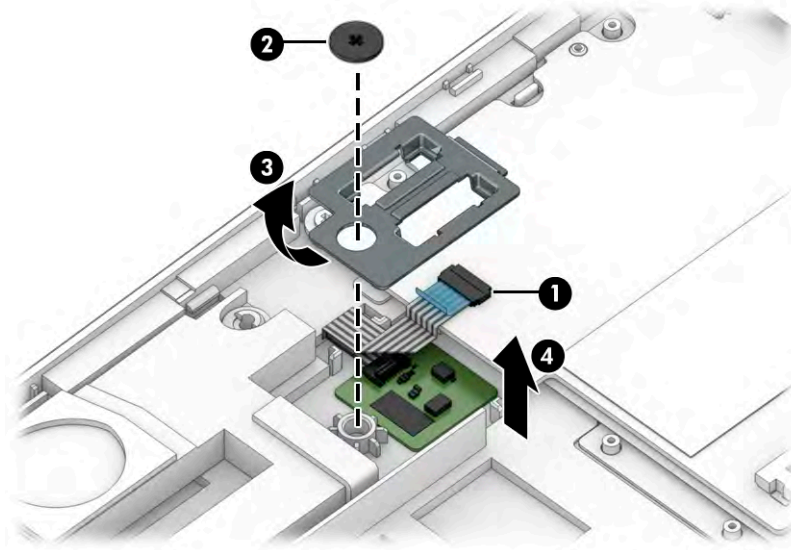
Before removing the fingerprint reader, follow these steps:

1. Prepare the computer for disassembly (see [Preparation for disassembly on page 27](#)).
2. Remove the bottom cover (see [Bottom cover and rubber feet on page 27](#)).
3. Remove the battery (see [Battery on page 29](#)).

Remove the fingerprint reader:

1. Disconnect the cable from the ZIF connector on the system board **(1)**.
2. Remove the Phillips M2.0 × 2.0 screw **(2)** that secures the fingerprint reader bracket to the computer, and then remove the bracket **(3)**.

3. Remove the fingerprint reader from the computer (4).



Reverse this procedure to install the fingerprint reader.

System board

To remove the system board, use these procedures and illustrations.

Table 5-11 System board descriptions and part numbers

Description	Spare part number
System board (includes processor)	
Intel Core i7-1165G7	M45125-601
Intel Core i5-1135G7	M45124-601
Intel Core i3-1125G4	M46656-601
Intel Core i3-1115G4	M45123-601
Intel Pentium Gold 7505	M45126-601

Before removing the system board, follow these steps:

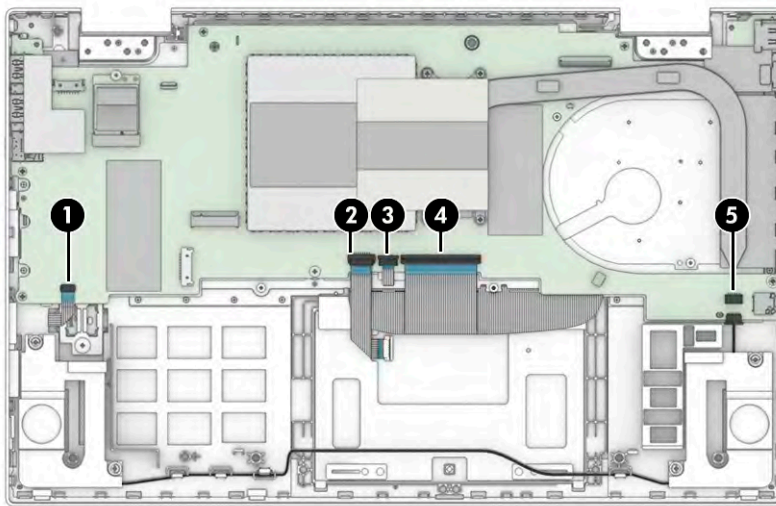
1. Prepare the computer for disassembly (see [Preparation for disassembly on page 27](#)).
2. Remove the bottom cover (see [Bottom cover and rubber feet on page 27](#)).
3. Remove the battery (see [Battery on page 29](#)).
4. Remove the fan (see [Fan on page 36](#)).
5. Remove the power connector cable (see [Power connector cable on page 39](#)).
6. Remove the display (see [Display assembly on page 43](#)).

When you replace the system board, be sure to remove the following components (as applicable) from the defective system board and install them on the replacement system board:

- Memory modules (see [Memory modules on page 31](#)).
- WLAN module (see [WLAN module on page 31](#)).
- Solid-state drive (see [Solid-state drive on page 30](#)).
- Heat sink (see [Heat sink on page 37](#)).

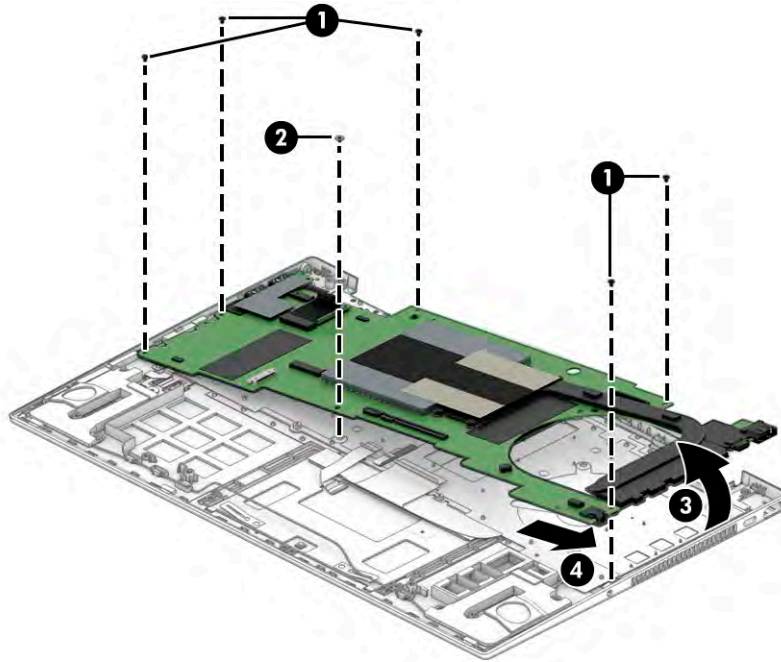
Remove the system board:

1. Disconnect the following cables from the system board:
 - Fingerprint reader cable (ZIF) **(1)** (select products only)
 - Touchpad board (ZIF) **(2)**
 - Backlight cable (ZIF) **(3)**
 - Keyboard cable (ZIF) **(4)**
 - Speaker cable **(5)**



2. Remove the five Phillips M2.0 × 2.5 screws **(1)** and the Phillips M2.0 × 2.0 screw **(2)** that secures the system board to the computer.

3. Lift the side of the system board upward **(3)**, and then pull the system board away from the connectors on the side of the computer to remove it **(4)**.



Reverse this procedure to install the system board.

Display assembly

To remove and disassemble the display assembly, use these procedures and illustrations.

Full hinge-up displays are not available as spare parts. Spare parts for displays are available only at the subcomponent level.

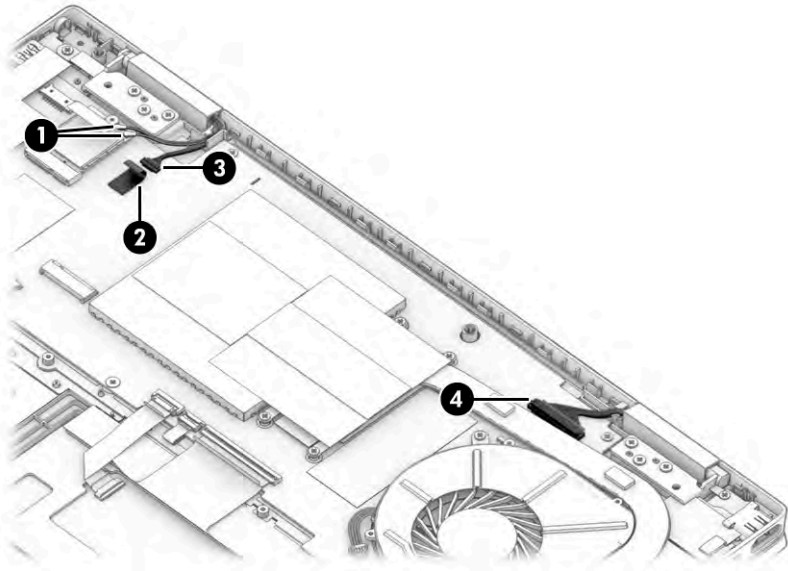
Before removing the display panel, follow these steps:

1. Prepare the computer for disassembly (see [Preparation for disassembly on page 27](#)).
2. Remove the bottom cover (see [Bottom cover and rubber feet on page 27](#)).
3. Disconnect the battery cable from the system board (see [Battery on page 29](#)).

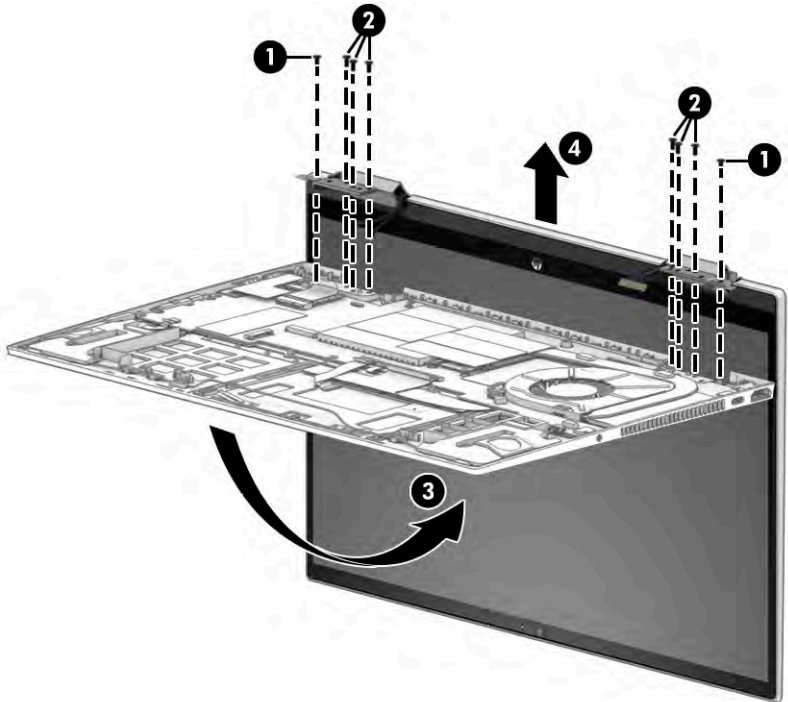
Remove the display assembly:

1. Disconnect the antenna cables from the WLAN module **(1)**.
2. Remove the tape from the camera connector on the system board **(2)**.

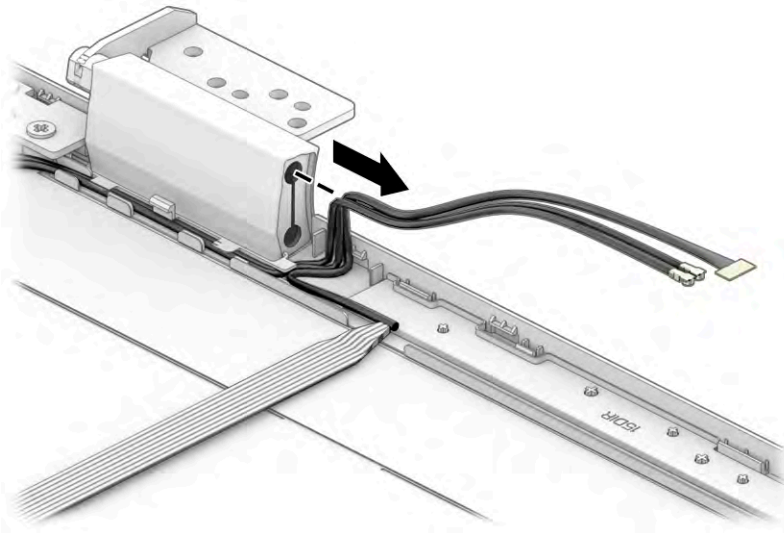
3. Disconnect the camera cable (3) and display cable (4).



4. Remove the two Phillips M2.0 × 4.0 screws (1) and the six Phillips M2.5 × 5.0 screws (2) that secure the display assembly to the computer.
5. Rotate the display to open the hinges (3).
6. Separate the display assembly from the computer (4).



7. If you need to remove the display panel:
 - a. Release the antenna cables from the left hinge.

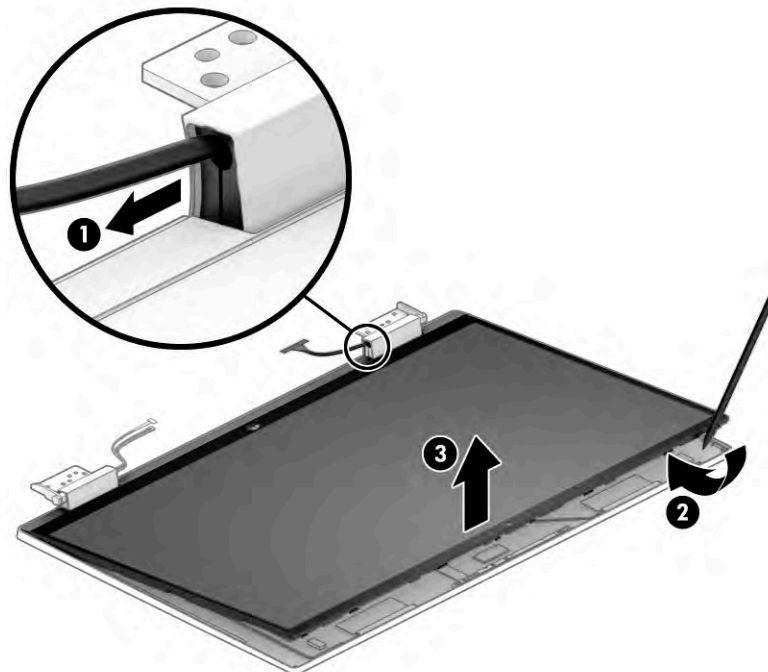


- b.** Remove the cables from the display hinge cover **(1)**.
- c.** Insert a flat tool into the seam between the display panel and back cover, and then pull the tool around the entire top, right, and left sides of the panel to release it from the back cover **(2)**.
- d.** Remove the display panel from the display back cover **(3)**.

Touch panel kits are available as the following spare part numbers:

M45119-001: HD panel

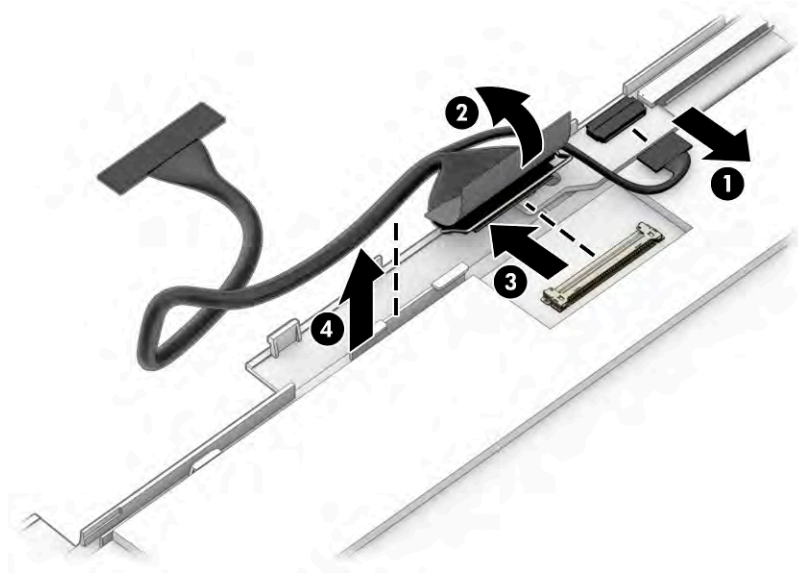
M45118-001: FHD panel



- 8.** If you need to remove the display cable kit from the display panel:

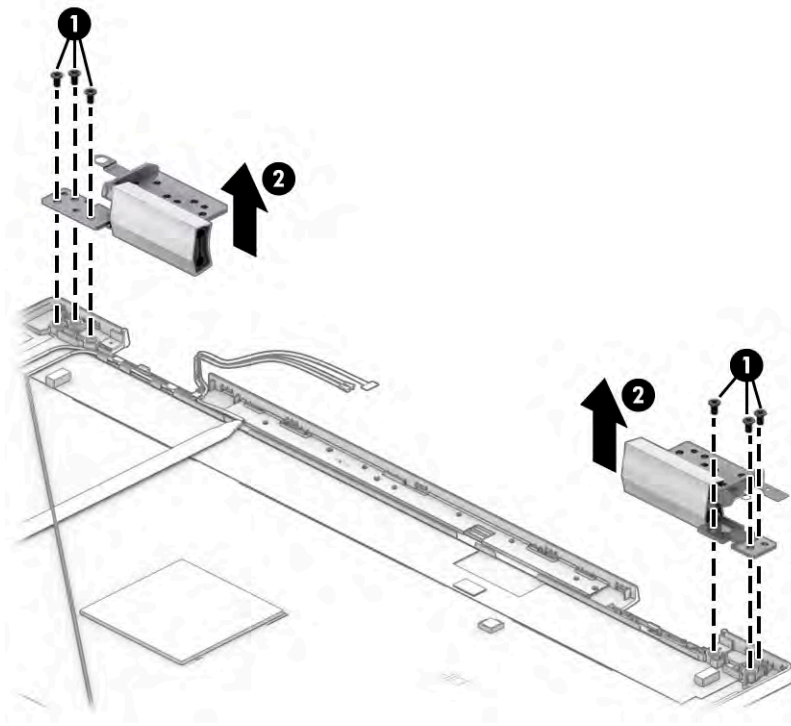
- a. Disconnect the cable from the touch control board **(1)**.
- b. Remove the tape from the connector on the back of the display panel **(2)**, and then disconnect the cable from the panel **(3)**.
- c. Remove the cable from the clips and from the display panel **(4)**.

The display/touch control board cable is available as spare part number M45120-001.



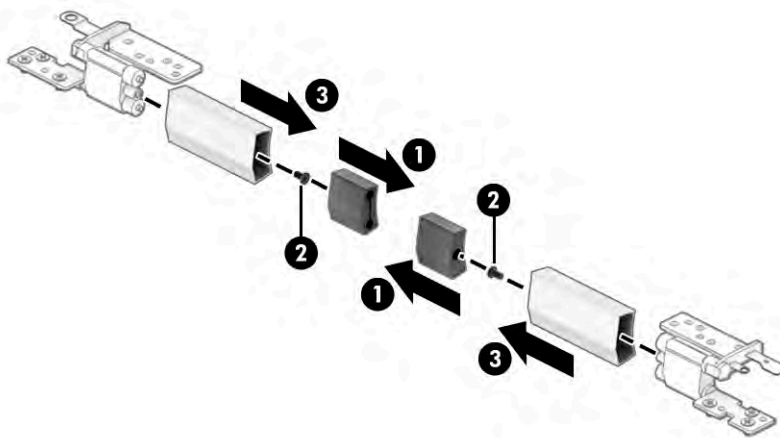
9. If you need to remove the hinges from the display back cover:
 - a. Remove the three Phillips M2.5 × 4.0 screws **(1)** from each hinge.
 - b. Remove the hinges from the display back cover **(2)**.

The hinges are available in the Hinge Kit as spare part number M45115-001 for FHD models and M45114-001 for HD models.

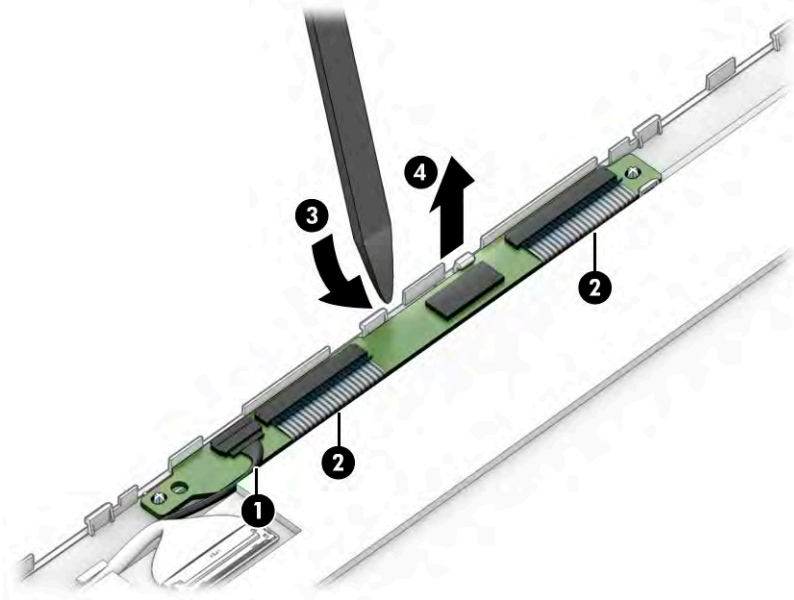


- 10.** If you need to remove a hinge cover from a display hinge:
- a. Remove the rubber insert from the hinge **(1)**.
 - b. Remove the Phillips M1.6 × 2.0 screw **(2)** that secures the hinge cover to the hinge.
 - c. Slide the hinge cover off the hinge **(3)**.

The hinge covers are available as spare part number M45117-001 for FHD models and M45116-001 for HD models.




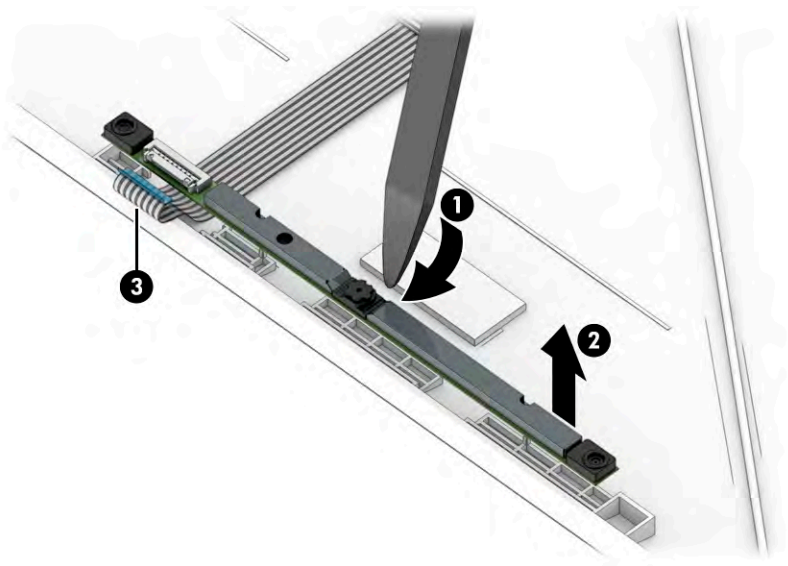
- 11.** If you need to remove the touch control board from the display:
- a. Disconnect the smaller cable **(1)** and the two larger ZIF cables **(2)** from the board.
 - b. Use a tool **(3)** to release the board from the display panel **(4)**.



12. If you need to remove the camera module:

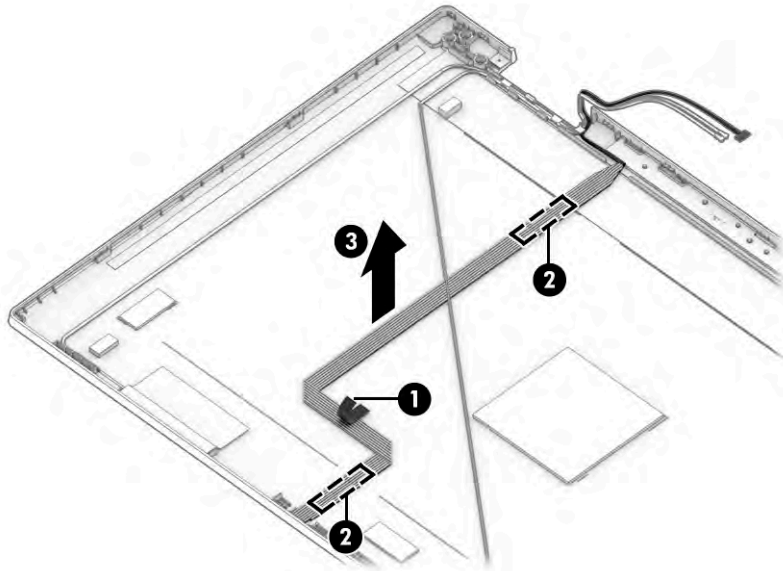
- ▲ Use a tool **(1)** to lift up evenly across the module and peel the module up from the display back cover **(2)**, and then disconnect the cable from the reverse ZIF connector on the module **(3)**. The camera module is available as spare part number M48775-001.

 **NOTE:** For installation, note that the cable routes under the camera module before it connects to the module.

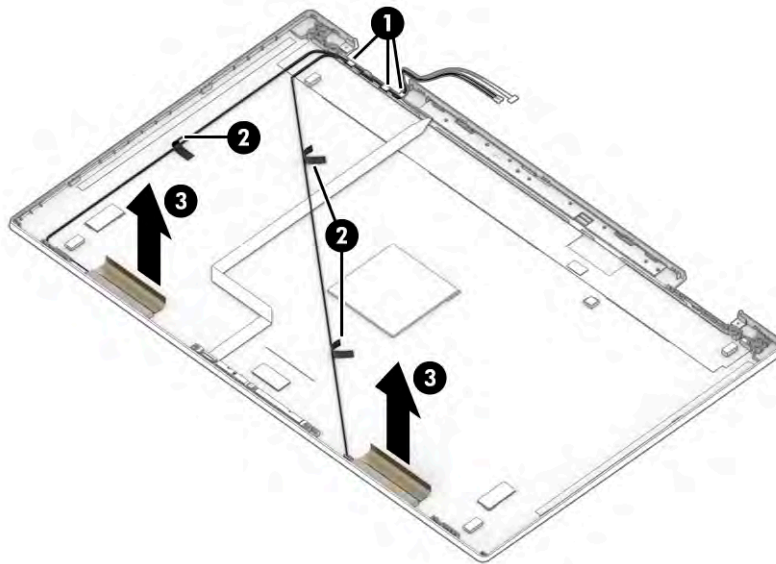


- 13.** If you need to remove the camera cable, remove the tape **(1)**, peel the cable from the locations it is adhered to the inside of the display back cover **(2)**, and then remove the cable **(3)**.

The camera cable is available as spare part number M45390-001.



- 14.** If you need to remove the WLAN antenna cables, remove the cables from the clips at the bottom of the cover **(1)**, remove the tape from the cables **(2)**, and then peel the antennas off the inside of the display back cover **(3)**. The wireless antennas and cables are available as spare part number M45106-001.



Display back covers are available as the following spare parts:

M45107-001: HD models

M45108-001: FHD models

Reverse this procedure to reassemble and replace the display assembly.

Top cover with keyboard

The top cover with keyboard remains after removing all other spare parts from the computer. In this section, the first table provides the main spare part number for the top cover/keyboards. The second table provides the country codes.

Table 5-12 Top cover with keyboard descriptions and part numbers


Description	Spare part number
Not backlit, no fingerprint reader	M45127-xx1
Not backlit, includes fingerprint reader	M45128-xx1
Backlit, no fingerprint reader	M45129-xx1
Backlit, includes fingerprint reader	M45130-xx1

Table 5-13 Spare part country codes

For use in country or region	Spare part number	For use in country or region	Spare part number	For use in country or region	Spare part number
Belgium	-A41	Hungary	-211	Saudi Arabia	-171
Brazil	-201	Iceland	-DD1	Slovenia	-BA1
Bulgaria	-261	India	-002	South Korea	-AD1
Chile	-161	Israel	-BB1	Spain	-071
Czech Republic/Slovakia	-FL1	Italy	-061	Switzerland	-BG1
Denmark	-081	Japan	-291	Taiwan	-AB1
Denmark, Finland, and Norway	-DH1	The Netherlands	-B31	Thailand	-281
French Canada	-DB1	Northern Africa	-FP1	Turkey	-141
Finland/Sweden	-B71	Norway	-091	Turkey-F	-541
France	-051	Portugal	-131	Ukraine	-BD1
Germany	-041	Romania	-271	United Kingdom	-031
Greece	-151	Russia	-251	United States	-001


6 Using Setup Utility (BIOS)

Setup Utility, or Basic Input/Output System (BIOS), controls communication between all the input and output devices on the system (such as disk drives, display, keyboard, mouse, and printer). Setup Utility (BIOS) includes settings for the types of devices installed, the startup sequence of the computer, and the amount of system and extended memory.

 **NOTE:** To start Setup Utility on convertible computers, your computer must be in notebook mode and you must use the keyboard attached to your notebook.

Starting Setup Utility (BIOS)

You have several ways to access the Setup Utility (BIOS).

 **IMPORTANT:** Use extreme care when making changes in Setup Utility (BIOS). Errors can prevent the computer from operating properly.

▲ Turn on or restart the computer and quickly press **f10**.

– or –

Turn on or restart the computer, quickly press **esc**, and then press **f10** when the Start menu is displayed.

Updating Setup Utility (BIOS)

Updated versions of Setup Utility (BIOS) might be available on the HP website. Most BIOS updates on the HP website are packaged in compressed files called *SoftPaqs*. Some download packages contain a file named *Readme.txt*, which contains information regarding installing and troubleshooting the file.

Determining the BIOS version

To decide whether you need to update Setup Utility (BIOS), first determine the BIOS version on your computer.


To reveal the BIOS version information (also known as *ROM date* and *System BIOS*), use one of these options.

- HP Support Assistant
 1. Type `support` in the taskbar search box, and then select the **HP Support Assistant** app.
– or –
Select the question mark icon in the taskbar.
 2. Select **My notebook**, and then select **Specifications**.
- Setup Utility (BIOS)
 1. Start Setup Utility (BIOS) (see [Starting Setup Utility \(BIOS\) on page 51](#)).
 2. Select **Main**, and then make note of the BIOS version.
 3. Select **Exit**, select one of the options, and then follow the on-screen instructions.
- In Windows, press `ctrl+alt+s`.


To check for later BIOS versions, see [Preparing for a BIOS update on page 52](#).

Preparing for a BIOS update

Be sure to follow all prerequisites before downloading and installing a BIOS update.

 **IMPORTANT:** To reduce the risk of damage to the computer or an unsuccessful installation, download and install a BIOS update only when the computer is connected to reliable external power using the AC adapter. Do not download or install a BIOS update while the computer is running on battery power, docked in an optional docking device, or connected to an optional power source. During the download and installation, follow these instructions:

- Do not disconnect power from the computer by unplugging the power cord from the AC outlet.
- Do not shut down the computer or initiate Sleep.
- Do not insert, remove, connect, or disconnect any device, cable, or cord.

 **NOTE:** If your computer is connected to a network, consult the network administrator before installing any software updates, especially system BIOS updates.

Downloading a BIOS update

After you review the prerequisites, you can check for and download BIOS updates.

1. Type `support` in the taskbar search box, and then select the **HP Support Assistant** app.
– or –
Select the question mark icon in the taskbar.
2. Select **Updates**, and then select **Check for updates and messages**.
3. Follow the on-screen instructions.
4. At the download area, follow these steps:
 - a. Identify the most recent BIOS update and compare it to the BIOS version currently installed on your computer. If the update is more recent than your BIOS version, make a note of the date, name, or other identifier. You might need this information to locate the update later, after it has been downloaded to your hard drive.
 - b. Follow the on-screen instructions to download your selection to the hard drive.
Make a note of the path to the location on your hard drive where the BIOS update is downloaded. You will need to access this path when you are ready to install the update.

Installing a BIOS update

BIOS installation procedures vary. Follow any instructions that appear on the screen after the download is complete. If no instructions appear, follow these steps.


1. Type `file` in the taskbar search box, and then select **File Explorer**.
2. Select your hard drive designation. The hard drive designation is typically Local Disk (C:).
3. Using the hard drive path you recorded earlier, open the folder that contains the update.
4. Double-click the file that has an `.exe` extension (for example, `filename.exe`).
The BIOS installation begins.
5. Complete the installation by following the on-screen instructions.



NOTE: After a message on the screen reports a successful installation, you can delete the downloaded file from your hard drive.

7 Backing up, restoring, and recovering

You can use Windows tools or HP software to back up your information, create a restore point, reset your computer, create recovery media, or restore your computer to its factory state. Performing these standard procedures can return your computer to a working state faster.

 **IMPORTANT:** If you will be performing recovery procedures on a tablet, the tablet battery must be at least 70% charged before you start the recovery process.


IMPORTANT: For a tablet with a detachable keyboard, connect the tablet to the keyboard base before beginning any recovery process.


Backing up information and creating recovery media

These methods of creating recovery media and backups are available on select products only.

Using Windows tools for backing up

HP recommends that you back up your information immediately after initial setup. You can do this task either using Windows Backup locally with an external USB drive or using online tools.

 **IMPORTANT:** Windows is the only option that allows you to back up your personal information. Schedule regular backups to avoid information loss.


 **NOTE:** If computer storage is 32 GB or less, Microsoft® System Restore is disabled by default.


Using the HP Cloud Recovery Download Tool to create recovery media (select products only)

You can use the HP Cloud Recovery Download Tool to create HP Recovery media on a bootable USB flash drive.

For details:

- ▲ Go to <http://www.hp.com/support>, search for HP Cloud Recovery, and then select the result that matches the type of computer that you have.

 **NOTE:** If you cannot create recovery media yourself, contact support to obtain recovery discs. Go to <http://www.hp.com/support>, select your country or region, and then follow the on-screen instructions.

 **IMPORTANT:** HP recommends that you follow the [Restoring and recovery methods on page 55](#) to restore your computer before you obtain and use the HP recovery discs. Using a recent backup can return your machine to a working state sooner than using the HP recovery discs. After the system is restored, reinstalling all the operating system software released since your initial purchase can be a lengthy process.

Restoring and recovering your system

You have several tools available to recover your system both within and outside of Windows if the desktop cannot load.

HP recommends that you attempt to restore your system using the [Restoring and recovery methods on page 55](#).

Creating a system restore


System Restore is available in Windows. The System Restore software can automatically or manually create restore points, or snapshots, of the system files and settings on the computer at a particular point.

When you use System Restore, it returns your computer to its state at the time you made the restore point. Your personal files and documents should not be affected.

Restoring and recovery methods

After you run the first method, test to see whether the issue still exists before you proceed to the next method, which might now be unnecessary.


1. Run a Microsoft System Restore.
2. Run Reset this PC.

 **NOTE:** The options **Remove everything** and then **Fully clean the drive** can take several hours to complete and leave no information on your computer. It is the safest way to reset your computer before you recycle it.

3. Recover using HP Recovery media. For more information, see [Recovering using HP Recovery media on page 55](#).

For more information about the first two methods, see the Get Help app:


Select the **Start** button, select the **Get Help** app, and then enter the task you want to perform.

 **NOTE:** You must be connected to the internet to access the Get Help app.

Recovering using HP Recovery media


You can use HP Recovery media to recover the original operating system and software programs that were installed at the factory. On select products, it can be created on a bootable USB flash drive using the HP Cloud Recovery Download Tool.

For details, see [Using the HP Cloud Recovery Download Tool to create recovery media \(select products only\) on page 54](#).

 **NOTE:** If you cannot create recovery media yourself, contact support to obtain recovery discs. Go to <http://www.hp.com/support>, select your country or region, and then follow the on-screen instructions.


To recover your system:

- ▲ Insert the HP Recovery media, and then restart the computer.

 **NOTE:** HP recommends that you follow the [Restoring and recovery methods on page 55](#) to restore your computer before you obtain and use the HP recovery discs. Using a recent backup can return your machine to a working state sooner than using the HP recovery discs. After the system is restored, reinstalling all the operating system software released since your initial purchase can be a lengthy process.

Changing the computer boot order

If your computer does not restart using the HP Recovery media, you can change the computer boot order, the order of devices listed in BIOS for startup information. You can select an optical drive or a USB flash drive, depending on the location of your HP Recovery media.

 **IMPORTANT:** For a tablet with a detachable keyboard, connect the tablet to the keyboard base before beginning these steps.

To change the boot order:

1. Insert the HP Recovery media.
2. Access the system **Startup** menu.
 - For computers or tablets with keyboards attached, turn on or restart the computer or tablet, quickly press **esc**, and then press **f9** for boot options.
 - For tablets without keyboards, turn on or restart the tablet, quickly press and hold the volume up button, and then select **f9**.
 - or –
 - Turn on or restart the tablet, quickly press and hold the volume down button, and then select **f9**.
3. Select the optical drive or USB flash drive from which you want to boot, and then follow the on-screen instructions.

Using HP Sure Recover (select products only)

Select computer models are configured with HP Sure Recover, a PC operating system (OS) recovery solution built into the hardware and software. HP Sure Recover can fully restore the HP OS image without installed recovery software.

Using HP Sure Recover, an administrator or user can restore the system and install:

- Latest version of the operating system
- Platform-specific device drivers
- Software applications, in the case of a custom image

To access the latest documentation for HP Sure Recover, go to <http://www.hp.com/support>. Follow the on-screen instructions to find your product and locate your documentation.

8 Using HP PC Hardware Diagnostics

You can use the HP PC Hardware Diagnostics utility to determine whether your computer hardware is running properly. The three versions are HP PC Hardware Diagnostics Windows, HP PC Hardware Diagnostics UEFI (Unified Extensible Firmware Interface), and (for select products only) Remote HP PC Hardware Diagnostics UEFI, a firmware feature.

Using HP PC Hardware Diagnostics Windows (select products only)

HP PC Hardware Diagnostics Windows is a Windows-based utility that allows you to run diagnostic tests to determine whether the computer hardware is functioning properly. The tool runs within the Windows operating system to diagnose hardware failures.

If HP PC Hardware Diagnostics Windows is not installed on your computer, first you must download and install it. To download HP PC Hardware Diagnostics Windows, see [Downloading HP PC Hardware Diagnostics Windows on page 58](#).

Using an HP PC Hardware Diagnostics Windows hardware failure ID code

When HP PC Hardware Diagnostics Windows detects a failure that requires hardware replacement, a 24-digit failure ID code is generated for select component tests. For interactive tests, such as keyboard, mouse, or audio and video palette, you must perform troubleshooting steps before you can receive a failure ID.

- ▲ You have several options after you receive a failure ID:
 - Click **Next** to open the Event Automation Service (EAS) page, where you can log the case.
– or –
 - Scan the QR code with your mobile device, which takes you to the EAS page, where you can log the case.
– or –
 - Click the box next to the 24-digit failure ID to copy your failure code and send it to support.

Accessing HP PC Hardware Diagnostics Windows

After HP PC Hardware Diagnostics Windows is installed, you can access it from HP Help and Support, HP Support Assistant, or the Start menu.

Accessing HP PC Hardware Diagnostics Windows from HP Help and Support (select products only)

After HP PC Hardware Diagnostics Windows is installed, follow these steps to access it from HP Help and Support.

1. Select the **Start** button, and then select **HP Help and Support**.
2. Select **HP PC Hardware Diagnostics Windows**.
3. When the tool opens, select the type of diagnostic test that you want to run, and then follow the on-screen instructions.



NOTE: To stop a diagnostic test, select **Cancel**.

Accessing HP PC Hardware Diagnostics Windows from Support Assistant

After HP PC Hardware Diagnostics Windows is installed, follow these steps to access it from HP Support Assistant.

1. Type `support` in the taskbar search box, and then select the **HP Support Assistant** app.
– or –
Select the question mark icon in the taskbar.
2. Select **Troubleshooting and fixes**.
3. Select **Diagnostics**, and then select **HP PC Hardware Diagnostics Windows**.
4. When the tool opens, select the type of diagnostic test that you want to run, and then follow the on-screen instructions.



NOTE: To stop a diagnostic test, select **Cancel**.

Accessing HP PC Hardware Diagnostics Windows from the Start menu (select products only)

After HP PC Hardware Diagnostics Windows is installed, follow these steps to access it from the Start menu.

1. Select the **Start** button.
2. Right-click **HP PC Hardware Diagnostics for Windows**, select **More**, and then select **Run as administrator**.
3. When the tool opens, select the type of diagnostic test that you want to run, and then follow the on-screen instructions.



NOTE: To stop a diagnostic test, select **Cancel**.

Downloading HP PC Hardware Diagnostics Windows

The HP PC Hardware Diagnostics Windows downloading instructions are provided in English only. You must use a Windows computer to download this tool because only .exe files are provided.

Downloading the latest HP PC Hardware Diagnostics Windows version from HP

To download HP PC Hardware Diagnostics Windows from HP, follow these steps.

1. Go to <http://www.hp.com/go/techcenter/pcdiags>. The HP PC Diagnostics home page is displayed.
2. Select **Download HP Diagnostics Windows**, and then select the specific Windows diagnostics version to download to your computer or a USB flash drive.

The tool downloads to the selected location.

Downloading the HP PC Hardware Diagnostics Windows from the Microsoft Store

You can download the HP PC Hardware Diagnostics Windows from the Microsoft Store.

1. Select the Microsoft Store app on your desktop or enter `Microsoft Store` in the taskbar search box.
2. Enter `HP PC Hardware Diagnostics Windows` in the **Microsoft Store** search box.
3. Follow the on-screen directions.

The tool downloads to the selected location.

Downloading HP Hardware Diagnostics Windows by product name or number (select products only)

You can download HP PC Hardware Diagnostics Windows by product name or number.

 **NOTE:** For some products, you might have to download the software to a USB flash drive by using the product name or number.

1. Go to <http://www.hp.com/support>.
2. Select **Software and Drivers**, select your type of product, and then enter the product name or number in the search box that is displayed.
3. In the **Diagnostics** section, select **Download**, and then follow the on-screen instructions to select the specific Windows diagnostics version to be downloaded to your computer or USB flash drive.


The tool downloads to the selected location.

Installing HP PC Hardware Diagnostics Windows

To install HP PC Hardware Diagnostics Windows, navigate to the folder on your computer or the USB flash drive where the .exe file downloaded, double-click the .exe file, and then follow the on-screen instructions.

Using HP PC Hardware Diagnostics UEFI

HP PC Hardware Diagnostics UEFI (Unified Extensible Firmware Interface) allows you to run diagnostic tests to determine whether the computer hardware is functioning properly. The tool runs outside the operating system so that it can isolate hardware failures from issues that are caused by the operating system or other software components.

 **NOTE:** For Windows 10 S computers, you must use a Windows computer and a USB flash drive to download and create the HP UEFI support environment because only .exe files are provided. For more information, see [Downloading HP PC Hardware Diagnostics UEFI to a USB flash drive on page 60](#).

If your PC does not start in Windows, you can use HP PC Hardware Diagnostics UEFI to diagnose hardware issues.

Using an HP PC Hardware Diagnostics UEFI hardware failure ID code


When HP PC Hardware Diagnostics UEFI detects a failure that requires hardware replacement, a 24-digit failure ID code is generated.

For assistance in solving the problem:

- ▲ Select **Contact HP**, accept the HP privacy disclaimer, and then use a mobile device to scan the failure ID code that appears on the next screen. The HP Customer Support - Service Center page appears with your failure ID and product number automatically filled in. Follow the on-screen instructions.

– or –

Contact support, and provide the failure ID code.

 **NOTE:** To start diagnostics on a convertible computer, your computer must be in notebook mode, and you must use the attached keyboard.

 **NOTE:** If you need to stop a diagnostic test, press **esc**.

Starting HP PC Hardware Diagnostics UEFI

To start HP PC Hardware Diagnostics UEFI, follow this procedure.

1. Turn on or restart the computer, and quickly press *esc*.
2. Press *f2*.

The BIOS searches three places for the diagnostic tools, in the following order:

- a. Connected USB flash drive



NOTE: To download the HP PC Hardware Diagnostics UEFI tool to a USB flash drive, see [Downloading the latest HP PC Hardware Diagnostics UEFI version on page 60](#).

- b. Hard drive

- c. BIOS

3. When the diagnostic tool opens, select a language, select the type of diagnostic test you want to run, and then follow the on-screen instructions.

Downloading HP PC Hardware Diagnostics UEFI to a USB flash drive

Downloading HP PC Hardware Diagnostics UEFI to a USB flash drive can be useful in some situations.

- HP PC Hardware Diagnostics UEFI is not included in the preinstallation image.
- HP PC Hardware Diagnostics UEFI is not included in the HP Tool partition.
- The hard drive is damaged.



NOTE: The HP PC Hardware Diagnostics UEFI downloading instructions are provided in English only, and you must use a Windows computer to download and create the HP UEFI support environment because only .exe files are provided.

Downloading the latest HP PC Hardware Diagnostics UEFI version

To download the latest HP PC Hardware Diagnostics UEFI version to a USB flash drive, follow this procedure.

1. Go to <http://www.hp.com/go/techcenter/pcdiags>. The HP PC Diagnostics home page is displayed.
2. Select **Download HP Diagnostics UEFI**, and then select **Run**.

Downloading HP PC Hardware Diagnostics UEFI by product name or number (select products only)

You can download HP PC Hardware Diagnostics UEFI by product name or number (select products only) to a USB flash drive.



NOTE: For some products, you might have to download the software to a USB flash drive by using the product name or number.

1. Go to <http://www.hp.com/support>.
2. Enter the product name or number, select your computer, and then select your operating system.
3. In the **Diagnostics** section, follow the on-screen instructions to select and download the specific UEFI Diagnostics version for your computer.

Using Remote HP PC Hardware Diagnostics UEFI settings (select products only)

Remote HP PC Hardware Diagnostics UEFI is a firmware (BIOS) feature that downloads HP PC Hardware Diagnostics UEFI to your computer. It can then execute the diagnostics on your computer, and it might upload results to a preconfigured server.

For more information about Remote HP PC Hardware Diagnostics UEFI, go to <http://www.hp.com/go/techcenter/pcdiags>, and then select **Find out more**.

Downloading Remote HP PC Hardware Diagnostics UEFI

HP Remote PC Hardware Diagnostics UEFI is also available as a SoftPaq that you can download to a server.

Downloading the latest Remote HP PC Hardware Diagnostics UEFI version

You can download the latest HP PC Hardware Diagnostics UEFI version to a USB flash drive.

1. Go to <http://www.hp.com/go/techcenter/pcdiags>. The HP PC Diagnostics home page is displayed.
2. Select **Download Remote Diagnostics**, and then select **Run**.

Downloading Remote HP PC Hardware Diagnostics UEFI by product name or number

You can download HP Remote PC Hardware Diagnostics UEFI by product name or number.



NOTE: For some products, you might have to download the software by using the product name or number.

1. Go to <http://www.hp.com/support>.
2. Select **Software and Drivers**, select your type of product, enter the product name or number in the search box that is displayed, select your computer, and then select your operating system.
3. In the **Diagnostics** section, follow the on-screen instructions to select and download the **Remote UEFI** version for the product.

Customizing Remote HP PC Hardware Diagnostics UEFI settings

Using the Remote HP PC Hardware Diagnostics setting in Computer Setup (BIOS), you can perform several customizations.

- Set a schedule for running diagnostics unattended. You can also start diagnostics immediately in interactive mode by selecting **Execute Remote HP PC Hardware Diagnostics**.
- Set the location for downloading the diagnostic tools. This feature provides access to the tools from the HP website or from a server that has been preconfigured for use. Your computer does not require the traditional local storage (such as a hard drive or USB flash drive) to run remote diagnostics.
- Set a location for storing the test results. You can also set the user name and password that you use for uploads.
- Display status information about the diagnostics run previously.

To customize Remote HP PC Hardware Diagnostics UEFI settings, follow these steps:

1. Turn on or restart the computer, and when the HP logo appears, press **f10** to enter Computer Setup.
2. Select **Advanced**, and then select **Settings**.

3. Make your customization selections.
4. Select **Main**, and then **Save Changes and Exit** to save your settings.

Your changes take effect when the computer restarts.

9 Specifications

This chapter provides specifications for your computer.

Computer specifications

This section provides specifications for your computer. When traveling with your computer, the computer dimensions and weights, as well as input power ratings and operating specifications, provide helpful information.

Table 9-1 Computer specifications

	Metric	U.S.
Dimensions		
Width	357.6 mm	14.08 in
Depth	229.2 mm	9.02 in
Height (front)	19.15 mm	0.75 in
Height (rear)	19.90 mm	0.78 in
Weight	1890 g	4.16 lbs
Input power		
Operating voltage and current	19.5 V dc @ 2.31 A – 45 W	
	19.5 V dc @ 3.33 A – 65 W	
Temperature		
Operating	5°C to 35°C	41°F to 95°F
Nonoperating	-20°C to 60°C	-4°F to 140°F
Relative humidity (noncondensing)		
Operating	10% to 90%	
Nonoperating	5% to 95%	
Maximum altitude (unpressurized)		
Operating	-15 m to 3,048 m	-50 ft to 10,000 ft
Nonoperating	-15 m to 12,192 m	-50 ft to 40,000 ft

NOTE: Applicable product safety standards specify thermal limits for plastic surfaces. The device operates well within this range of temperatures.

35.6 cm (14.0 in) display specifications

This section provides specifications for your display.

Table 9-2 Display specifications

	Metric	U.S.
Active diagonal size	39.6 cm	15.6 in
Resolution	1920 × 1080 (FHD) 1366 × 768 (HD)	
Surface treatment	Antiglare	
Brightness	250 nits	
Viewing angle	UWVA (FHD panels) SVA (HD panels)	
Backlight	WLED	
Display panel interface	eDP	

Solid-state drive specifications

This section provides specifications for your solid-state drives.

Table 9-3 Solid-state drive specifications

	256 GB*	512 GB*	1 TB*
Dimensions			
Height	1.0 mm	1.0 mm	1.0 mm
Length	50.8 mm	50.8 mm	50.8 mm
Width	28.9 mm	28.9 mm	28.9 mm
Weight	< 10 g	< 10 g	< 10 g
Interface type			
Ready time, maximum (to not busy)	1.0 ms	< 1.0 ms	1.0 ms
Access times, logical	0.1 ms	0.1 ms	0.1 ms
Transfer rate			
Sequential read	up to 2150 MB/s	up to 2150 MB/s	up to 2150 MB/s
Random read	Up to 300,000 IOPs	Up to 300,000 IOPs	Up to 300,000 IOPs
Sequential write	up to 1550 MB/s	up to 1550 MB/s	up to 1550 MB/s
Random write	Up to 100,000 IOPs	Up to 100,000 IOPs	Up to 100,000 IOPs
Total logical sectors	468,883,296	1,000,215,216	1,500,336,388
Operating temperature	0°C to 70°C (32°F to 158°F)		
*1 GB = 1 billion bytes when referring to hard drive storage capacity. Actual accessible capacity is less. Actual drive specifications can differ slightly.			
NOTE: Certain restrictions and exclusions apply. Contact support for details.			

10 Power cord set requirements

This chapter provides power cord requirements for countries and regions.

The wide-range input feature of the computer permits it to operate from any line voltage from 100 V ac to 120 V ac, or from 220 V ac to 240 V ac.

The three-conductor power cord set included with the computer meets the requirements for use in the country or region where the equipment is purchased.

Power cord sets for use in other countries or regions must meet the requirements of the country and region where the computer is used.

Requirements for all countries

These power cord requirements are applicable to all countries and regions.

- The length of the power cord set must be at least **1.0 m** (3.3 ft) and no more than **2.0 m** (6.5 ft).
- All power cord sets must be approved by an acceptable accredited agency responsible for evaluation in the country or region where the power cord set will be used.
- The power cord sets must have a minimum current capacity of 10 A and a nominal voltage rating of 125 V ac or 250 V ac, as required by the power system of each country or region.
- The appliance coupler must meet the mechanical configuration of an EN 60 320/IEC 320 Standard Sheet C13 connector for mating with the appliance inlet on the back of the computer.

Requirements for specific countries and regions

To determine power cord requirements for specific countries and regions, use this table.

Table 10-1 Power cord requirements for specific countries and regions

Country/region	Accredited agency	Applicable note number
Argentina	IRAM	1
Australia	SAA	1
Austria	OVE	1
Belgium	CEBEC	1
Brazil	ABNT	1
Canada	CSA	2
Chile	IMQ	1
Denmark	DEMKO	1
Finland	FIMKO	1
France	UTE	1
Germany	VDE	1

Table 10-1 Power cord requirements for specific countries and regions (continued)

Country/region	Accredited agency	Applicable note number
India	BIS	1
Israel	SII	1
Italy	IMQ	1
Japan	JIS	3
Netherlands	KEMA	1
New Zealand	SANZ	1
Norway	NEMKO	1
People's Republic of China	CCC	4
Saudi Arabia	SASO	7
Singapore	PSB	1
South Africa	SABS	1
South Korea	KTL	5
Sweden	SEMKO	1
Switzerland	SEV	1
Taiwan	BSMI	6
Thailand	TISI	1
United Kingdom	ASTA	1
United States	UL	2

1. The flexible cord must be Type H05VV-F, three-conductor, 0.75 mm² conductor size. Power cord set fittings (appliance coupler and wall plug) must bear the certification mark of the agency responsible for evaluation in the country or region where it will be used.
2. The flexible cord must be Type SVT/SJT or equivalent, No. 18 AWG, three-conductor. The wall plug must be a two-pole grounding type with a NEMA 5-15P (15 A, 125 V ac) or NEMA 6-15P (15 A, 250 V ac) configuration. CSA or C-UL mark. UL file number must be on each element.
3. The appliance coupler, flexible cord, and wall plug must bear a T mark and registration number in accordance with the Japanese Dentori Law. The flexible cord must be Type VCTF, three-conductor, 0.75 mm² or 1.25 mm² conductor size. The wall plug must be a two-pole grounding type with a Japanese Industrial Standard C8303 (7 A, 125 V ac) configuration.
4. The flexible cord must be Type RVV, three-conductor, 0.75 mm² conductor size. Power cord set fittings (appliance coupler and wall plug) must bear the CCC certification mark.
5. The flexible cord must be Type H05VV-F three-conductor, 0.75 mm² conductor size. KTL logo and individual approval number must be on each element. Approval number and logo must be printed on a flag label.
6. The flexible cord must be Type HVCTF three-conductor, 1.25 mm² conductor size. Power cord set fittings (appliance coupler, cable, and wall plug) must bear the BSMI certification mark.
7. For 127 V ac, the flexible cord must be Type SVT or SJT 3-conductor, 18 AWG, with plug NEMA 5-15P (15 A, 125 V ac), with UL and CSA or C-UL marks. For 240 V ac, the flexible cord must be Type H05VV-F three-conductor, 0.75 mm² or 1.00 mm² conductor size, with plug BS 1363/A with BSI or ASTA marks.

11 Recycling

When a nonrechargeable or rechargeable battery has reached the end of its useful life, do not dispose of the battery in general household waste. Follow the local laws and regulations in your area for battery disposal.

HP encourages customers to recycle used electronic hardware, HP original print cartridges, and rechargeable batteries. For more information about recycling programs, see the HP website at <http://www.hp.com/recycle>.

Index

- A**
 - AC adapter and battery light, identifying 4
 - AC adapters, spare part numbers 17
 - action key, identifying 11
 - audio-out (headphone)/audio-in (microphone) combo jack, identifying 5
- B**
 - backup, creating 54
 - backups 54
 - BIOS
 - determining version 51
 - downloading an update 52
 - starting the Setup Utility 51
 - updating 51
 - Bluetooth label 12
 - boot order, changing 55
 - bottom components 11
 - bottom cover
 - removal 27
 - rubber feet
 - feet 27,
 - removal 27,
 - spare part number 27,
 - spare part number
 - feet 27,
 - removal 27,
 - spare part number 27,
 - buttons
 - left touchpad 7
 - power 9, 11
 - right touchpad 7
- C**
 - camera
 - identifying 7
 - camera light, identifying 7
 - caps lock light 9
 - caring for your computer 23
 - cautions
 - electrostatic discharge 19, 20
 - cleaning your computer 23
 - caring for wood veneer 25
 - disinfecting 24
 - HP Easy Clean 23
 - removing dirt and debris 23
 - components
 - bottom 11
 - display 6
 - keyboard area 7
 - left side 5
 - lights 8
 - right side 4
 - touchpad 7, 8
 - computer major components 14
 - computer specifications 63
 - connectors
 - power 5
 - control zone 7
- D**
 - display
 - specifications 63
 - display assembly
 - subcomponents 16
 - display back cover
 - illustrated 16
 - spare part number 16
 - display bezel
 - illustrated 16
 - spare part number 16
 - display cable
 - illustrated 16
 - spare part number 16
 - display components 6
 - display panel
 - illustrated 16
 - spare part number 16
- E**
 - electrostatic discharge (ESD) 19, 20
 - preventing damage 19, 20, 21
 - esc key, identifying 10
- F**
 - fan
 - removal 36
 - spare part number 36
- fingerprints
 - reader 10
 - removal 40
 - spare part numbers 40
 - fn key, identifying 11
- G**
 - grounding methods 19, 20, 21
 - guidelines
 - packaging 19, 25
 - transporting 19, 25
 - workstation 19
- H**
 - hard drive
 - specifications 63
 - HDMI port
 - identifying 5
 - heat sink
 - removal 37
 - spare part numbers 37
 - hinge
 - illustrated 16
 - spare part number 16
 - hinge cover
 - illustrated 16
 - spare part number 16
 - HP PC Hardware Diagnostics UEFI
 - downloading 60
 - failure ID code 59
 - starting 60
 - using 59
 - HP PC Hardware Diagnostics Windows
 - accessing 57, 58
 - downloading 58
 - failure ID code 57
 - installing 59
 - using 57
 - HP Recovery media
 - recovery 55
 - HP Sure Recover 56
- I**
 - illustrated parts catalog 14
 - integrated numeric keypad, identifying 11

internal microphones, identifying 7

J

jacks
 audio-out (headphone)/audio-in (microphone) 5

K

keyboard
 product description 2

keyboard with top cover
 spare part numbers 50

keypad, integrated numeric 11

keys
 action 11
 esc 10
 fn 11
 num lock 11
 Windows 11

L

labels
 Bluetooth 12
 regulatory 12
 serial number 12
 service 12
 wireless certification 12
 WLAN 12

left control zone, identifying 7, 8

left side components 5

lights
 AC adapter and battery 4
 camera 7
 caps lock 9
 mute 9
 power 9
 touchpad 7

low blue light mode 6

M

memory modules
 removal 31
 spare part numbers 31

mute light, identifying 9

N

num lock key, identifying 11

P

packaging guidelines 19, 25

pens, spare part numbers 17

pointing device, product description 2

ports
 HDMI 5
 product description 2
 USB SuperSpeed 4
 USB Type-C power connector and SuperSpeed port 5

power button, identifying 9, 11

power connector
 identifying 5

power connector cable
 removal 39
 spare part number 39

power cord
 requirements for all countries 65
 requirements for specific countries and regions 65
 set requirements 65

power cords, spare part numbers 17

power light, identifying 9

product description
 keyboard 2
 pointing device 2
 ports 2
 sensors 2

product name and number, computer 12

R

recovery 54
 discs 55
 media 55
 USB flash drive 55

recovery media 54
 creating using HP Cloud Recovery Download Tool 54
 creating using Windows tools 54

regulatory information
 regulatory label 12
 wireless certification labels 12

Remote HP PC Hardware Diagnostics
 UEFI settings
 customizing 61
 using 61

removal and replacement
 procedures 27
 solid-state drive 30

restoring 54

restoring and recovery methods 55

right control zone, identifying 7, 8

right side components 4

S

Screw Kit, spare part number 17

sensors
 product description 2

serial number, computer 12

service labels, locating 12

SIM slot, identifying 4

slots
 SIM card 4

solid-state drive
 removal and replacement 30
 specifications 64

spare part country codes 50

speaker
 removal 33
 spare part numbers 33

speakers 4, 6, 12

special keys
 identifying 10
 using 10

specifications
 computer 63
 display 63
 hard drive 63
 solid-state drive 64

static electricity 19, 20

support information 25

system board
 removal 41
 spare part numbers 41

system restore 55

system restore point, creating 54

T

touchpad
 removal 34
 settings 7
 spare part number 34

touchpad buttons
 identifying 7

touchpad components 7

touchpad light, identifying 7

touchpad settings, adjusting 7

touchpad zone, identifying 7, 8

transporting guidelines 19, 25

traveling with the computer 12

U

USB SuperSpeed port, identifying 4

USB Type-C power connector and
SuperSpeed port, identifying 5

V

vents, identifying 5, 12

W

Windows

backup 54

recovery media 54

system restore point 54

Windows key, identifying 11

Windows tools, using 54

wireless antennas

illustrated 16

spare part number 16

wireless antennas, identifying 7

wireless certification label 12

WLAN antennas, identifying 7

WLAN device 12

WLAN label 12

WLAN module

removal 31

spare part numbers 31

workstation guidelines 19