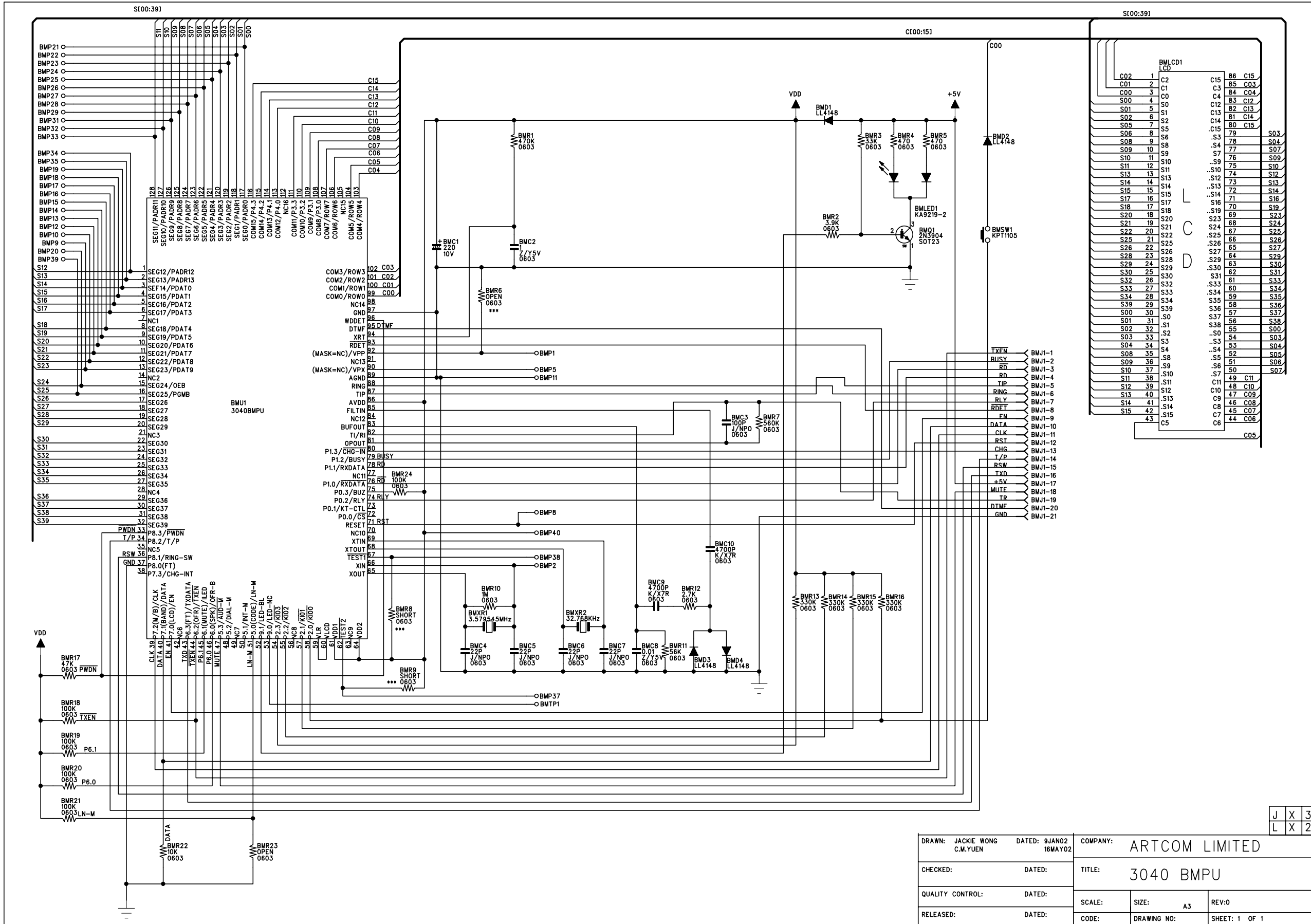


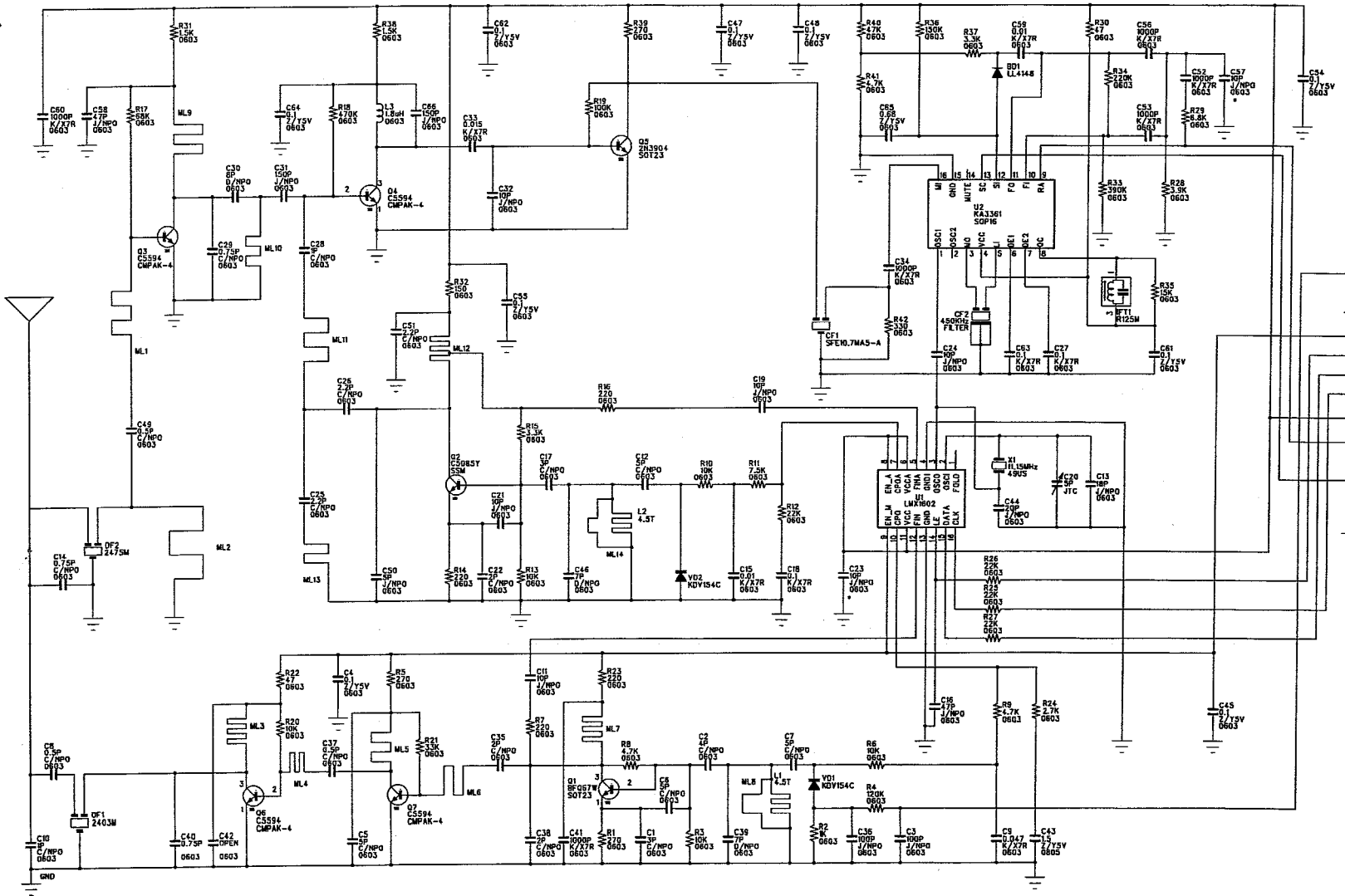
Note  
All ref designator with S prefix are for 3034

DRAWN:	DATED: 20JUN02	COMPANY: ARTCOM LIMITED	
CHECKED:	DATED:	TITLE: 3034/3040BM	
QUALITY CONTROL:	DATED:	SCALE:	SIZE: A3 REV: 1
RELEASED:	DATED:	DRAWING NO:	SHEET: 1 OF 1



J	X	3
L	X	2

DRAWN: JACKIE WONG C.M.YUEN		DATED: 9JAN02 16MAY02		COMPANY: ARTCOM LIMITED	
CHECKED:		DATED:		TITLE: 3040 BMPU	
QUALITY CONTROL:		DATED:		SCALE:	SIZE: A3
RELEASED:		DATED:		CODE:	DRAWING NO: REV:0
				SHEET: 1 OF 1	



DRAWN:	DATED: 7-SEP-02	COMPANY: ARTCOM LIMITED
CHECKED:	DATED:	TITLE: ARTCOM RF MODULE(BASE)
QUALITY CONTROL:	DATED:	PCB FILE: RF24.jcb
RELEASED:	DATED:	SCALE: SIZE: A3 REV: 0
		CODE: DRAWING NO: SHEET: 1 OF 1