

**Series 8, Built-in oven with added steam function, 60 x 60 cm, Carbon black
HRG8769C7**



Included accessories

1 x enamel baking tray
1 x combination grid
1 x universal pan

Optional accessories

HEZ327000 : Pizza stone
HEZ530000 : Half tray
HEZ531010 : Baking tray, non-stick ceramic coated
HEZ625071 : Grill tray, anthracite enamelled
HEZ632070 : Multipurpose pan, anthracite enamelled
HEZ633001 : Lid for professional pan, enamelled anth
HEZ634000 : Baking and roasting grid (standard)

The built-in oven with PerfectBake plus, PerfectRoast plus and added steam: your dishes come out automatically perfect and crispy on the outside, juicy on the inside.

- **Added Steam:** achieve cooking results that are crispy on the outside and juicy on the inside.
- **PerfectRoast plus:** know exactly when your roast is done.
- **3-stage telescoping rails, fully extendable:** for safe, easy insertion and removal of baking trays.
- **Home Connect:** Access recipes and send cooking information directly to the oven via the Home Connect app.
- **Pyrolytic self-cleaning:** Automatically cleans the oven, just wipe out the ash.

Technical Data

Built-in / Free-standing : Built-in
 Cleaning : Pyrolytic+Hydrolytic
 Required niche size for installation (HxWxD) : 585-595 x 560-568 x 550 mm
 Dimensions (HxWxD) : 595 x 594 x 548 mm
 Dimensions of the packed product (HxWxD) : 675 x 690 x 660 mm
 Control Panel Material : Glass
 Door Material : Glass
 Net weight : 44.0 kg
 Usable volume of cavity : 71 l
 Heating functions : , 4D HotAir, Bottom heat, Conventional heat, Defrost, Drying, Full width grill, Half width grill, Hot Air-Eco, Hot air grilling, Intensive heat, Pizza setting, Pre-heating, Soft steaming, warming
 Oven control : electronic
 Number of interior lights : 1
 Approval certificates : CE, VDE
 Length electrical supply cord : 120 cm
 EAN code : 4242005212583
 Number of cavities (2010/30/EC) : 1
 Energy efficiency rating : A
 Energy consumption per cycle conventional (2010/30/EC) : 0.90 kWh/cycle
 Energy consumption per cycle forced air convection (2010/30/EC) : 0.74 kWh/cycle
 Energy efficiency index (2010/30/EC) : 87.1 %
 Connection Rating : 3600 W
 Fuse protection : 16 A
 Voltage : 220-240 V
 Frequency : 50; 60 Hz
 Plug type : GARDY plug w/ earthing



Series 8, Built-in oven with added steam function, 60 x 60 cm, Carbon black HRG8769C7

The built-in oven with PerfectBake plus, PerfectRoast plus and added steam: your dishes come out automatically perfect and crispy on the outside, juicy on the inside.

Heating Functions

- Oven with 15 heating methods:
4D HotAir
Defrost Drying Full width grill 4D HotAir Eco Intensive heat
Half width grill Top/bottom heating Top/bottom heating Eco
Pizza setting Slow cooking Bottom heating Hot air grilling
Preheat ovenware Keep warm
- Additional heating methods with steam: Reheating, Dough Proving
- Temperature range 30 °C - 300 °C
- Cavity volume: 71 net usable litres

Hook-in racks / rails

- Number of shelf levels: 5 PC
- 3-level telescopic rails, pyrolytic proof, fully extendable, safety stop function

Design

- Bosch Control Ring
- Anthracite enamel cavity with 5 shelf positions

Cleaning

- Pyrolytic self-cleaning function
- Cleaning Assistance - cleaning option for light soiling
- Full glass inner door

Convenience

- TFT Touch Graphic Display
- Electronic clock/timer with end time programming
- Automatic temperature proposal, Residual heat indicator, Actual temperature display, Meat probe function
- Additional functions:
Descaling programme
drying function
- Oven door with SoftClose
- Bar handle
- Bosch Assist - a menu of dishes for automatic cooking
- PerfectRoast Plus
- Automatic rapid heat function
- Halogen lighting
- Water tank empty indicator
- Location of the steam generator is outside of the cavity
- Cooling fan
- HomeConnect

Accessories

- 1 x universal pan, 1 x enamel baking tray, 1 x combination grid

Safety and Environment

- Maximum door temperature 30° C
- Quadruple glazed CoolTouch door
- Low door temperature during pyrolytic cleaning
- Electronic door lock, Child lock function, Automatic safety switch off function, Residual heat indicator, Start button, Door contact switch

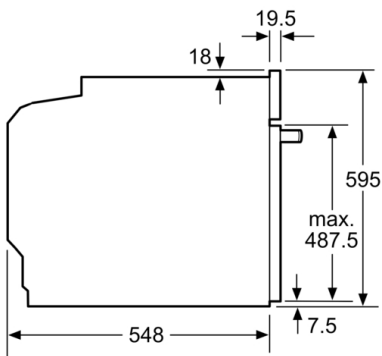
Technical Info

- Length of mains cable: 120 cm
- Nominal voltage: 220 - 240 V
- Total connected load electric: 3.6 KW

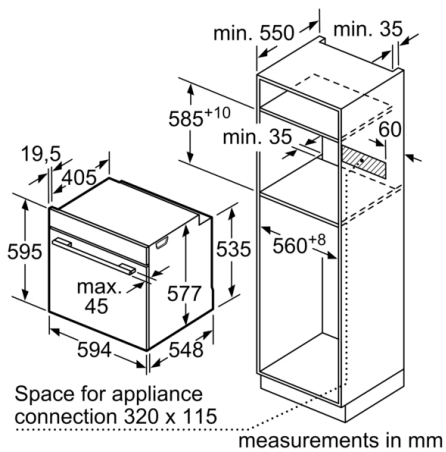
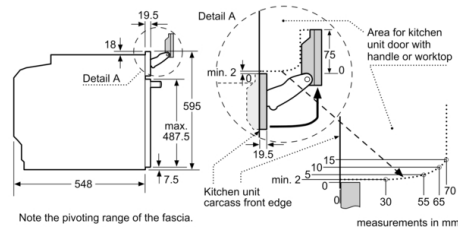
Dimensions

- Appliance dimensions (HxWxD): 595 mm x 594 mm x 548 mm
- Installation dimensions (HxWxD): 585 mm - 595 mm x 560 mm - 568 mm x 550 mm
- Please reference the built-in dimensions provided in the installation drawing

Series 8, Built-in oven with added steam function, 60 x 60 cm, Carbon black HRG8769C7



measurements in mm

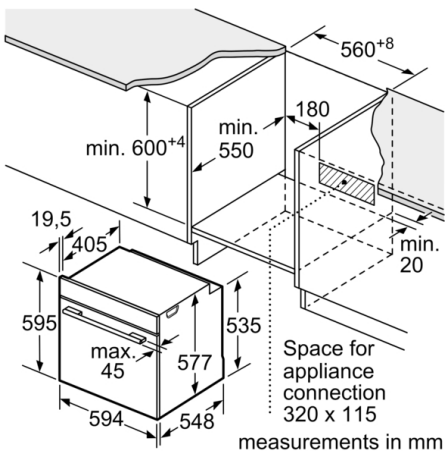


Space for appliance connection 320 x 115

measurements in mm

If the appliance will be installed underneath a hob, the following worktop thicknesses (including substructure if necessary) must be taken into account.

Hob type	min. worktop thickness	
	fitted	flush
Induction hob	37 mm	38 mm
Full surface Induction hob	47 mm	48 mm
Gas hob	30 mm	38 mm
Electric hob	27 mm	30 mm



measurements in mm