

# SUPERIOR

ELECTRONICS

*10<sup>th</sup> Anniversary*





**REMOTE CONTROLS 5**

**Universal 6**

Freedom 1in1, 2in1, 4in1	6
Smart IR Universal SUPiTPB001	7
Superior Safe (Bulk)	7
Combined Keyboard	7

**Ready to use Smart 8**

LG/Samsung	8
Philips	8
Sony	8
Panasonic	8
Grundig	8
Vestel Multibrand	8
Hisense	8
F&U	8
Counter display	8

**Ready to use Black 10**

LG	10
Samsung	10
Philips	10
Sony	10
Panasonic	10
Telefunken	10
Thomson TCL	10
Sky IT	10
Sky UK	10
LG/Samsung Combined	10
Nova/Cosmote	10
Counter display	10

**Multi-brand ready to use 12**

Ready 5	12
Ready 5 Smart	12

**Programmable 14**

Slim	14
Perform (1in1, 2in1, 4in1)	14
Light (1in1, 2in1, 4in1)	14
Programmer	14
Slim Safe White (Bulk)	15
Slim Safe Black (Bulk)	15
Simply +	15
Simply Digital TV	15

**Simplified 16**

Simply +	16
Simply Digital TV	16
Hotel TV	16
Simply/Simply Numeric	16
Stick	17
Ready 5	17

**AirCo 18**

Airco Plus	18
Airco 5000 in 1	18
Airco 6000 in 1	18
Airco	18
Air Conditioners Wall Bracket	19

**Hospitality 20**

Hotel TV	20
Simply/Simply Numeric	20
Stick	20
Airco Plus	20
White	21
Black	21
Superior Safe (Bulk)	21

<b>AUTOMATION</b>	<b>22</b>
Counter display	23
<b>RF Remote Controls</b>	<b>23</b>
Simple 2	23
Simple 4	23
Key	24
Multi-Key	24
Roll&Copy	24
<b>Kit</b>	<b>24</b>
433MHz Indoor	24
433MHz Outdoor	25
868MHz Outdoor	25
433MHz Automation 220V (Garden)	25
Centralina multifrequenza fissa & rolling	25
<b>AUDIO VIDEO</b>	<b>26</b>
My Way Dot	26
My Way Traveler	27
Wireless Car Charger	27
Antenna Indoor NAI001	27
Antenna Outdoor Pro NAO001	27
<b>SMART DEVICES</b>	<b>28</b>
Security SUPiCM001	29
Security SUPiCM002	29
Light Bulb SUPiLR001	29
Light Bulb SUPiLW001	29
Plug SUPiPW001	30
Sensor SUPiSW001	30
Smart IR Universal SUPiTPB001	30

<b>WALL MOUNTS</b>	<b>32</b>
<b>TV Wall Mounts</b>	<b>33</b>
13-42 Motion Extra Slim	33
13-42 Full Motion Extra Slim	33
23-42 Fixed Extra Slim	33
23-42 Tilt Extra Slim	33
32-55 Fixed Ultra Flat	34
32-55 Fixed Extra Slim	34
32-55 Tilt Extra Slim	34
32-55 Full Motion Extra Slim	34
37-70 Fixed Extra Slim	35
37-70 Tilt Extra Slim	35
37-70 Full Motion Extra Slim	35
60-100 Fixed Extra Slim	35
49, 55, 65 QLED Extra Slim	36
42-70 Triwood	36
Projector Full Motion Mount	36
Soundbar Bracket	36
<b>Other Supports</b>	<b>37</b>
Tower Pro Kit combines clothes washer/dryer	37
Air Conditioners Wall Bracket	37
<b>BATTERIES</b>	<b>40</b>
Alkaline AA (blister)	41
Alkaline AA (bulk)	41
Alkaline AAA (blister)	41
Alkaline AAA (bulk)	41

REMOTE CONTROLS





## Freedom 1in1, 2in1, 4in1

**TYPE:**  
Programmable remote control from PC  
with **USB cable**

**SETUP:**  
The software (Windows compatible) is  
free and downloadable directly from this  
site. The programming takes less than a  
minute, just click on make and model

**BLISTER CONTENT:**  
Thermo welded blister, includes:  
Remote control, MicroUSB/USB cable,  
Instruction manual, 2 years warranty

**BATTERIES:**  
2 x 1,5V – AAA (not included)

**OUTER CARTON:**  
40 pcs (blister)  
or 120 pcs (bulk)

	<i>blistered</i>			<i>bulk</i>		
<i>black</i>	Freedom	1 in 1	SUPTUB001	Freedom	1 in 1	SUPTUB007
	Freedom	2 in 1	SUPTUB002	Freedom	2 in 1	SUPTUB008
	Freedom	4 in 1	SUPTUB003	Freedom	4 in 1	SUPTUB009
<i>white</i>	Freedom	1 in 1	SUPTUW001	Freedom	1 in 1	SUPTUW007
	Freedom	2 in 1	SUPTUW002	Freedom	2 in 1	SUPTUW008
	Freedom	4 in 1	SUPTUW003	Freedom	4 in 1	SUPTUW009



**NEW BUTTONS**

SMART

NET TV



SUPiTB001

## Universal Smart IR control SUPiTB001

**TIPO:** Smartphone universal remote control

**DATI TECNICI:**

- Input: DC 5V/1A
- Frequency IR: 38-56 kHz
- Frequency WiFi: 2,4 GHz
- Range : ≤ 10 metri
- Working temp: 0°C - 50°C
- Humidity: ≤85% RH
- Dimensions: 68\*17 mm (ø \* h)
- Blue LED

**SETUP:** Very easy setup following instructions on the Smart Life® App (iOS® and Android®)

**COMPATIBLE WITH:** AirCo, fans, heating air purifiers, TV, SAT/DTT, TV Box, DVD player, Bluray, projectors, audio, lighting, many other devices

**OUTER CARTON:**  
24 pcs



SUPTWW001

## Superior Safe (Bulk)

**TYPE:**

**Universal cleanable remote control.** Superior Safe has a flat top-case, allowing it to be sprayed and cleaned with common wipes, cloth or disinfecting wipes

**SETUP:**

Fast search by brand and easy learning function

**BLISTER CONTENT:**

Remote control, instructions manual, 2 years warranty

**BATTERIES:**

2 x 1,5V – AAA (not included)

**OUTER CARTON:**

200pcs, 20pcs per 10 inner boxes



SUPKCB001

## Combined Keyboard

**TYPE:**

Remote control with **QWERTY keyboard for Smart TV**

**SETUP:**

Programming with self-learning technology for all brands. Ready to use with Samsung TV

**BLISTER CONTENT:**

Remote control, USB dongle, instructions manual, 2 years warranty

**BATTERIES:**

2 x 1,5V – AAA (not included)

**OUTER CARTON:**

40 pcs



## READY TO USE SMART

### TYPE:

Universal remote control **ready to use**

### SETUP:

Ready to use, just insert batteries

### BLISTER CONTENT:

Remote control, instructions manual, 2 years warranty

### BATTERIES:

2 x 1,5V – AAA (not included)

### OUTER CARTON:

40 pcs

**SUPTRB002** LG/Samsung

**SUPTRB004** Philips

**SUPTRB005** Sony

**SUPTRB003** Panasonic

**SUPTRB001** Grundig

**SUPTRB018** Vestel Multibrand

**SUPTRB028** Hisense

**SUPF&U** F&U

**SUPESB001** Counter display





**SUPERIOR**  
ELECTRONICS



SUITABLE FOR ALL COMPATIBLE CON

**LG SAMSUNG**  
TVs AND SMART TVs

**READY TO USE**  
Universal replacement remote control for all LG/Samsung TVs. No programming necessary.

**PRONTO ALL'USO**  
Telecomando di ricambio universale sostituisce il vostro telecomando LG/Samsung. Non richiede programmazione.

**PRÊTE À L'EMPLOI**  
Télécommande universelle de remplacement pour LG/Samsung. Sans programmation.

**FUNCIÓN DE INMEDIATO**  
Mando universal de recambio para todos los TV LG/Samsung. No requiere programación.

**EINSATZBEREIT**  
Universal-Ersetz-Fernbedienung für alle LG/Samsung TVs. Keine Programmierung notwendig.

**SUPERIOR**  
ELECTRONICS



SUITABLE FOR ALL COMPATIBLE CON

**PHILIPS**  
TVs AND SMART TVs

**READY TO USE**  
Universal replacement remote control for all Philips TVs. No programming necessary.

**PRONTO ALL'USO**  
Telecomando di ricambio universale sostituisce il vostro telecomando Philips. Non richiede programmazione.

**PRÊTE À L'EMPLOI**  
Télécommande universelle de remplacement pour Philips. Sans programmation.

**FUNCIÓN DE INMEDIATO**  
Mando universal de recambio para todos los TV Philips. No requiere programación.

**EINSATZBEREIT**  
Universal-Ersetz-Fernbedienung für alle Philips TVs. Keine Programmierung notwendig.

**SUPERIOR**  
ELECTRONICS



SUITABLE FOR ALL COMPATIBLE CON

**GRUNDIG**  
TVs AND SMART TVs

**READY TO USE**  
Universal replacement remote control for all Grundig TVs. No programming necessary.

**PRONTO ALL'USO**  
Telecomando di ricambio universale sostituisce il vostro telecomando Grundig. Non richiede programmazione.

**PRÊTE À L'EMPLOI**  
Télécommande universelle de remplacement pour Grundig. Sans programmation.

**FUNCIÓN DE INMEDIATO**  
Mando universal de recambio para todos los TV Grundig. No requiere programación.

**EINSATZBEREIT**  
Universal-Ersetz-Fernbedienung für alle Grundig TVs. Keine Programmierung notwendig.

**SUPERIOR**  
ELECTRONICS



SUITABLE FOR ALL COMPATIBLE CON

**SONY**  
TVs AND SMART TVs

**READY TO USE**  
Universal replacement remote control for all Sony TVs. No programming necessary.

**PRONTO ALL'USO**  
Telecomando di ricambio universale sostituisce il vostro telecomando Sony. Non richiede programmazione.

**PRÊTE À L'EMPLOI**  
Télécommande universelle de remplacement pour Sony. Sans programmation.

**FUNCIÓN DE INMEDIATO**  
Mando universal de recambio para todos los TV Sony. No requiere programación.

**EINSATZBEREIT**  
Universal-Ersetz-Fernbedienung für alle Sony TVs. Keine Programmierung notwendig.

**SUPERIOR**  
ELECTRONICS



SUITABLE FOR ALL COMPATIBLE CON

**PANASONIC**  
TVs AND SMART TVs

**READY TO USE**  
Universal replacement remote control for all Panasonic TVs. No programming necessary.

**PRONTO ALL'USO**  
Telecomando di ricambio universale sostituisce il vostro telecomando Panasonic. Non richiede programmazione.

**PRÊTE À L'EMPLOI**  
Télécommande universelle de remplacement pour Panasonic. Sans programmation.

**FUNCIÓN DE INMEDIATO**  
Mando universal de recambio para todos los TV Panasonic. No requiere programación.

**EINSATZBEREIT**  
Universal-Ersetz-Fernbedienung für alle Panasonic TVs. Keine Programmierung notwendig.

**SUPERIOR**  
ELECTRONICS



SUITABLE FOR ALL COMPATIBLE CON

**TELEFUNKEN**

AMSTRAD - AUTOVOX  
BLOOM - BLUESKY  
CLATRONIC - CRANKER  
DIGIHOME - DIGQUEST  
DIKOM - EUROVISION  
FENNER - FERGUSON  
FINLUX - FIRST LINE  
GOLDTECH - GOODMAN  
GRAETZ - HITACHI - INEAVI  
INNO HIT - KENNEX  
LAZER - LUXOR - NEXIUS  
NKKI - NORDMENDE  
ORION - PROLINE - QILIVE  
SABA - SCHAUB LORENZ  
SCHWEIDER - SEG - SELECLINE  
SELECO - SHADOW  
TECHWOOD - TELETECH  
TENSAI - ULTRAVOX  
VESTEL - WEGAVOX

**ALL ORIGINAL FUNCTIONS  
TVs AND SMART TVs**

**READY TO USE**  
No programming necessary. Universal replacement remote control for all Telefunken TVs.

**SUPERIOR**  
ELECTRONICS



SUITABLE FOR ALL COMPATIBLE CON

**HISENSE**  
TVs AND SMART TVs

**READY TO USE**  
Universal replacement remote control for all Hisense TVs. No programming necessary.

**PRONTO ALL'USO**  
Telecomando di ricambio universale sostituisce il vostro telecomando Hisense. Non richiede programmazione.

**PRÊTE À L'EMPLOI**  
Télécommande universelle de remplacement pour Hisense. Sans programmation.

**FUNCIÓN DE INMEDIATO**  
Mando universal de recambio para todos los TV Hisense. No requiere programación.

**EINSATZBEREIT**  
Universal-Ersetz-Fernbedienung für alle Hisense TVs. Keine Programmierung notwendig.

**SUPERIOR**  
ELECTRONICS



SUITABLE FOR ALL COMPATIBLE CON

**F&U**  
TVs AND SMART TVs

**ΕΤΟΙΜΟ ΓΙΑ ΧΡΗΣΗ**  
Τηλεχειρίδιο αντικαθιστά το τηλεχειρίδιο F&U. Δεν απαιτείται προγραμματισμός.

**READY TO USE**  
Universal replacement remote control for all F&U TVs. No programming necessary.



## READY TO USE BLACK

### TYPE:

Universal remote control  
ready to use

### SETUP:

Ready to use, just insert  
batteries

### BLISTER CONTENT:

Remote control, instructions  
manual, 2 years warranty

### BATTERIES:

2 x 1,5V - AAA (not included)

### OUTER CARTON:

40 pcs

**SUPTRB007** LG

**SUPTRB008** Samsung

**SUPTRB010** Philips

**SUPTRB009** Sony

**SUPTRB011** Panasonic

**SUPTRB016** Telefunken

**SUPTRB017** Thomson TCL

**SUPTRB027** Sky IT

**SUPTRB034** Sky UK

**SUPTRB006** LG/Samsung Combined

**SUPTRB013** Nova/Cosmote

**SUPESB001** Counter display



**SUPERIOR**  
ELECTRONICS

SUITABLE FOR ALL COMPATIBLE CON  
**LG**  
TV AND SMART TV

Universal replacement remote control for all LG TVs  
No programming necessary

**PRONTO ALLUSO**  
Telecomando di ricambio universale sostituisce il vostro telecomando LG. Non richiede programmazione.

**PRÊTE À L'EMPLOI**  
Télécommande universelle de remplacement pour LG. Sans programmation.

**FUNCIONA DE INMEDIATO**  
Mando universal de recambio para todos los TV LG. No requiere programación.

**READY TO USE**

**SUPERIOR**  
ELECTRONICS

SUITABLE FOR ALL COMPATIBLE CON  
**SAMSUNG**  
TV AND SMART TV

Universal replacement remote control for all Samsung TVs  
No programming necessary

**PRONTO ALLUSO**  
Telecomando di ricambio universale sostituisce il vostro telecomando Samsung. Non richiede programmazione.

**PRÊTE À L'EMPLOI**  
Télécommande universelle de remplacement pour Samsung. Sans programmation.

**FUNCIONA DE INMEDIATO**  
Mando universal de recambio para todos los TV Samsung. No requiere programación.

**READY TO USE**

**SUPERIOR**  
ELECTRONICS

SUITABLE FOR ALL COMPATIBLE CON  
**PHILIPS**  
TV AND SMART TV

Universal replacement remote control for all Philips TVs  
No programming necessary

**PRONTO ALLUSO**  
Telecomando di ricambio universale sostituisce il vostro telecomando Philips. Non richiede programmazione.

**PRÊTE À L'EMPLOI**  
Télécommande universelle de remplacement pour Philips. Sans programmation.

**FUNCIONA DE INMEDIATO**  
Mando universal de recambio para todos los TV Philips. No requiere programación.

**READY TO USE**

**SUPERIOR**  
ELECTRONICS

SUITABLE FOR ALL COMPATIBLE CON  
**SONY**  
TV AND SMART TV

Universal replacement remote control for all Sony TVs  
No programming necessary

**PRONTO ALLUSO**  
Telecomando di ricambio universale sostituisce il vostro telecomando Sony. Non richiede programmazione.

**PRÊTE À L'EMPLOI**  
Télécommande universelle de remplacement pour Sony. Sans programmation.

**FUNCIONA DE INMEDIATO**  
Mando universal de recambio para todos los TV Sony. No requiere programación.

**READY TO USE**

**SUPERIOR**  
ELECTRONICS

**READY TO USE**

**READY TO USE**  
Universal replacement remote control for all Panasonic TVs. No programming necessary.

**PRONTO ALLUSO**  
Telecomando di ricambio universale sostituisce il vostro telecomando Panasonic. Non richiede programmazione.

**PRÊTE À L'EMPLOI**  
Télécommande universelle de remplacement pour Panasonic. Sans programmation.

**FUNCIONA DE INMEDIATO**  
Mando universal de recambio para todos los TV Panasonic. No requiere programación.

SUITABLE FOR ALL COMPATIBLE CON  
**PANASONIC**  
TV AND SMART TV

**READY TO USE**

Keyboard updated with Smart functions and new key **NET TV**

**SUPERIOR**  
ELECTRONICS

**READY TO USE**

Replacement remote control for Telefunken TVs  
No programming necessary

**PRONTO ALLUSO**  
Telecomando di ricambio universale sostituisce il vostro telecomando Telefunken. Non richiede programmazione.

**PRÊTE À L'EMPLOI**  
Télécommande universelle de remplacement pour Telefunken. Sans programmation.

**FUNCIONA DE INMEDIATO**  
Mando universal de recambio para todos los TV Telefunken. No requiere programación.

SUITABLE FOR COMPATIBLE CON  
**TELEFUNKEN**  
TV AND SMART TV

**READY TO USE**

**SUPERIOR**  
ELECTRONICS

**READY TO USE**

Universal replacement remote control for all Thomson/TCL TVs  
No programming necessary

**PRONTO ALLUSO**  
Telecomando di ricambio universale sostituisce il vostro telecomando Thomson/TCL. Non richiede programmazione.

**PRÊTE À L'EMPLOI**  
Télécommande universelle de remplacement pour Thomson/TCL. Sans programmation.

**FUNCIONA DE INMEDIATO**  
Mando universal de recambio para todos los TV Thomson/TCL. No requiere programación.

SUITABLE FOR ALL COMPATIBLE CON  
**THOMSON**  
**TCL**  
TV AND SMART TV

**READY TO USE**

**SUPERIOR**  
ELECTRONICS

SUITABLE FOR COMPATIBLE CON  
**SKY**

**PRONTO ALL'USO**  
Telecomando universale di ricambio per decoder SKY. Tutte le funzioni originali.

**READY TO USE**  
Universal remote control for SKY receivers. All original functions.

- SKY
- SKY HD
- MYSKY HD
- SKY Q

**READY TO USE**

**SUPERIOR**  
ELECTRONICS

**READY TO USE**

Universal replacement remote control for all LG/Samsung TVs  
No programming necessary

**PRONTO ALLUSO**  
Telecomando di ricambio universale sostituisce il vostro telecomando LG/Samsung. Non richiede programmazione.

**PRÊTE À L'EMPLOI**  
Télécommande universelle de remplacement pour LG/Samsung. Sans programmation.

**FUNCIONA DE INMEDIATO**  
Mando universal de recambio para todos los TV LG/Samsung. No requiere programación.

SUITABLE FOR ALL COMPATIBLE CON  
**LG**  
**SAMSUNG**  
LED AND PLASMA

**READY TO USE**

**SUPERIOR**  
ELECTRONICS

**SYMBATO ME**  
SUITABLE FOR ALL  
**NOVA**  
**COSMOTÉ**  
SET TOP BOXES

**ETOIMO**  
**ΓΙΑ ΧΡΗΣΗ**  
Τηλεπαιχνίδιο αντικαθιστά το τηλεπαιχνίδι NOVA/COSMOTÉ. Δεν απαιτείται προγραμματισμός.

**READY TO USE**  
Universal replacement remote control compatible with all NOVA/COSMOTÉ sets. No programming necessary.

**READY TO USE**

# MULTI-BRAND READY TO USE



SUPTRB014

## Ready 5

**TYPE:**  
Universal remote control **ready to use** for all TVs LG, Samsung, Sony, Philips and Panasonic built since 2000

**SETUP:**  
Place batteries and enjoy your LG, Samsung, Sony, Philips or Panasonic TV

**BLISTER CONTENT:**  
Remote control, instructions manual, 2 years warranty

**BATTERIES:**  
2 x 1,5V – AAA (not included)

**OUTER CARTON:**  
40 pcs



SUPTRB019

## Ready 5 Smart

**TYPE:**  
Universal remote control **ready to use** for all TVs LG, Samsung, Sony, Philips and Panasonic built since 2000

**SETUP:**  
Place batteries and enjoy your LG, Samsung, Sony, Philips or Panasonic TV

**BLISTER CONTENT:**  
Remote control, instructions manual, 2 years warranty

**BATTERIES:**  
2 x 1,5V – AAA (not included)

**OUTER CARTON:**  
40 pcs



PHILIPS®

LG®





**SAMSUNG®**

**SONY®**

**PANASONIC®**

NEW KEY

**NET TV**

# PROGRAMMABLE

## Slim



1 in 1 **SUPTB007**

2 in 1 **SUPTB008**

4 in 1 **SUPTB009**



**TYPE:**  
PC programmable remote control

**SETUP:**  
Less than one minute needed for programming: double-click on make and model.  
*Requires a programmer that is sold separately. The software (Windows compatible) is free and downloadable directly from this site*

**BLISTER CONTENT:**  
Remote control, instructions manual, 2 years warranty

**BATTERIES:**  
2 x 1,5V – AAA (not included)

**OUTER CARTON:**  
75 pcs

## Perform (1in1, 2in1, 4in1)



1 in 1 **SUPTB010**

2 in 1 **SUPTB011**

4 in 1 **SUPTB012**



## Light (1in1, 2in1, 4in1)



1 in 1 **SUPTB004**

2 in 1 **SUPTB005**

4 in 1 **SUPTB006**



**Programmer** **SUPPP001**

Choose from 1in1, 2in1, 4in1 models and three different innovative designs, all with keyboards suitable for TVs and Smart TVs



**NEW KEYS**

**SMART**

**NET TV**



### Slim Safe White (Bulk)



SUPTPW002

**TYPE:**  
PC programmable universal remote control with cleanable keypad. Superior Safe has a flat top-case, allowing it to be sprayed and cleaned with common wipes, cloth or disinfecting wipes

**SETUP:**  
The programming takes less than a minute, just click on make and model. Requires a programmer that is sold separately

**BLISTER CONTENT:**  
Remote control, instructions manual, 2 years warranty

**BATTERIES:**  
2 x 1,5V – AAA (not included)

**OUTER CARTON:**  
100 pcs

### Slim Safe Black (Bulk)



SUPTPB021

NEW KEYS

SMART

NET TV



SUPTPB016

### Simply +

**TYPE:**  
PC programmable remote control with simplified keyboard

**SETUP:**  
The software (Windows compatible) is free and downloadable directly from this site. The programming takes less than a minute, just click on make and model

**BLISTER CONTENT:**  
Remote control, instructions manual, 2 years warranty

**BATTERIES:**  
2 x 1,5V – AAA (not included)

**OUTER CARTON:**  
75 pcs



SUPTPB015

### Simply Digital TV

**TYPE:**  
PC programmable remote control. One keyboard to control both TV set and TV

**SETUP:**  
The software (Windows compatible) is free and downloadable directly from this site. The programming takes less than a minute, just click on make and model

**BLISTER CONTENT:**  
Remote control, instructions manual, 2 years warranty

**BATTERIES:**  
2 x 1,5V – AAA (not included)

**OUTER CARTON:**  
75 pcs



# SIMPLIFIED



SUPTB016

## Simply +

**TYPE:**  
PC programmable remote control  
with simplified keyboard

**SETUP:**  
The software (Windows compatible) is free and downloadable directly from this site. The programming takes less than a minute, just click on make and model

**BLISTER CONTENT:**  
Remote control, instructions manual, 2 years warranty

**BATTERIES:**  
2 x 1,5V – AAA  
(not included)

**OUTER CARTON:**  
75 pcs



SUPTB015

## Simply Digital TV

**TYPE:**  
PC programmable remote control. One keyboard to control both TV set and TV

**SETUP:**  
The software (Windows compatible) is free and downloadable directly from this site. The programming takes less than a minute, just click on make and model

**BLISTER CONTENT:**  
Remote control, instructions manual, 2 years warranty

**BATTERIES:**  
2 x 1,5V – AAA  
(not included)

**OUTER CARTON:**  
75 pcs



## Hotel TV

**TYPE:**  
PC programmable remote control  
with keyboard (without menu)  
designed for hospitality business

**SETUP:**  
The software (Windows compatible) is free and downloadable directly from this site. The programming takes less than a minute, just click on make and model

**BLISTER CONTENT:**  
Remote control, instructions manual, 2 years warranty

**BATTERIES:**  
2 x 1,5V – AAA (not included)

**OUTER CARTON:**  
75 pcs (blister),  
120 pcs (bulk)

Black

SUPTB013

Black (bulk)

SUPTB014



SUPTLB001

SUPTLB002

## Simply/Simply Numeric

**TYPE:**  
**Autolearning** remote control in two versions,  
with and without numeric keyboard

**SETUP:**  
It learns every key immediately

**BLISTER CONTENT:**  
Remote control, instructions manual,  
2 years warranty

**BATTERIES:**  
2 x 1,5V – AAA (not included)

**OUTER CARTON:**  
40 pcs







SUPTLB003

### Stick

**TYPE:**  
Simplified **autolearning** remote control with large keys

**SETUP:**  
It learns every key immediately

**BLISTER CONTENT:**  
Remote control, instructions manual, 2 years warranty

**BATTERIES:**  
2 x 1,5V – AAA (not included)

**OUTER CARTON:**  
100 pcs, inner 20 pcs



SUPTRB014

### Ready 5

**TYPE:**  
Universal remote control **ready to use** for all TVs LG, Samsung, Sony, Philips and Panasonic built since 2000

**SETUP:**  
Place batteries and enjoy your LG, Samsung, Sony, Philips or Panasonic TV

**BLISTER CONTENT:**  
Remote control, instructions manual, 2 years warranty

**BATTERIES:**  
2 x 1,5V – AAA (not included)

**OUTER CARTON:**  
40 pcs





SUPCU001

## Airco Plus

**TYPE:**  
Universal remote control for air conditioning devices



**FUNCTIONS:**  
**Temperature Lock for energy saving.** 4000 codes, heating/cooling smart function, programming through direct code or manual search. Clock, On/Off timer and Sleep functions, backlit LCD Display

**BLISTER CONTENT:**  
Remote control, instructions manual, 2 years warranty

**BATTERIES:**  
2 x 1,5V – AAA (not included)

**OUTER CARTON:**  
100 pcs



SUPCU005

## Airco 5000 in 1

**TYPE:**  
Universal remote control for air conditioning devices



**FUNCTIONS:**  
5000 codes, heating/cooling smart function, programming through direct code search. Clock, On/Off timer and Sleep functions, backlit LCD Display

**BLISTER CONTENT:**  
Remote control, instructions manual, 2 years warranty

**BATTERIES:**  
2 x 1,5V – AAA (not included)

**OUTER CARTON:**  
50 pcs



SUPCU003

## Airco 6000 in 1

**TYPE:**  
Universal remote control for air conditioning devices



**FUNCTIONS:**  
6000 codes, “One key” button for automatic regulation of temperature, programming through direct code or manual search. Clock and ON/OFF timer, 8 meters range

**BLISTER CONTENT:**  
Remote control, instructions manual, 2 years warranty

**BATTERIES:**  
2 x 1,5V – AAA (not included)

**OUTER CARTON:**  
100 pcs



SUPCU002

## Airco

**TYPE:**  
Universal remote control for air conditioning devices



**FUNCTIONS:**  
1000 codes, “Fast Hot” and “Fast Cool” function, programming through direct code or manual search, On/Off Timer

**BLISTER CONTENT:**  
Remote control, instructions manual, 2 years warranty

**BATTERIES:**  
2 x 1,5V – AAA (not included)

**OUTER CARTON:**  
50 pcs





SUPSAW001

### Air Conditioners Wall Bracket

**WEIGHT CAPACITY:**  
80kg / 176lbs

**MATERIAL:**  
Steel

**BRAND/MODEL COMPATIBLE:**  
Universal

**ADDITIONAL CONTENTS:**  
Instructions manual, 2 years warranty



# HOSPITALITY



SUPTLB001

SUPTLB002

## Hotel TV

**TYPE:**  
PC programmable remote control  
**with keyboard (without menu)**  
**designed for hospitality business**

**SETUP:**  
The software (Windows compatible) is free and downloadable directly from this site. The programming takes less than a minute, just click on make and model

**BLISTER CONTENT:**  
Remote control, instructions manual, 2 years warranty

**BATTERIES:**  
2 x 1,5V – AAA (not included)

**OUTER CARTON:**  
75 pcs (blister),  
120 pcs (bulk)

Black **SUPTB013**

Black (bulk) **SUPTB014**



## Simply/Simply Numeric

**TYPE:**  
**Autolearning** remote control in two versions,  
with and without numeric keyboard

**SETUP:**  
It learns every key immediately

**BLISTER CONTENT:**  
Remote control, instructions manual,  
2 years warranty

**BATTERIES:**  
2 x 1,5V – AAA (not included)

**OUTER CARTON:**  
40 pcs



SUPTLB003

## Stick

**TYPE:**  
Simplified **autolearning** remote control with large keys

**SETUP:**  
It learns every key immediately

**BLISTER CONTENT:**  
Remote control, instructions manual, 2 years warranty

**BATTERIES:**  
2 x 1,5V – AAA (not included)

**OUTER CARTON:**  
100 pcs, inner 20 pcs



SUPCU001

## Airco Plus

**TYPE:**  
Universal remote control for air conditioning devices

**FUNCTIONS:**  
**Temperature Lock for energy saving.**  
4000 codes, heating/cooling smart function, programming through direct code or manual search. Clock, On/Off timer and Sleep functions, backlit LCD Display

**BLISTER CONTENT:**  
Remote control, instructions manual,  
2 years warranty

**BATTERIES:**  
2 x 1,5V – AAA (not included)

**OUTER CARTON:**  
100 pcs



# Safe

White



SUPTPW002

Black



SUPTPB021



SUPTWW001

## Slim Safe (Bulk)

### TYPE:

**PC programmable universal remote control with cleanable keypad.**

Superior Safe has a flat top-case, allowing it to be sprayed and cleaned with common wipes, cloth or disinfecting wipes

### SETUP:

The programming takes less than a minute, just click on make and model.

*Requires a programmer that is sold separately*

### BLISTER CONTENT:

Remote control, instructions manual, 2 years warranty

### BATTERIES:

2 x 1,5V – AAA (not included)

### OUTER CARTON:

100 pcs

## Superior Safe (Bulk)

### TYPE:

**Universal cleanable remote control.**

Superior Safe has a flat top-case, allowing it to be sprayed and cleaned with common wipes, cloth or disinfecting wipes

### SETUP:

Fast search by brand and easy learning function

### BLISTER CONTENT:

Remote control, instructions manual, 2 years warranty

### BATTERIES:

2 x 1,5V – AAA (not included)

### OUTER CARTON:

200pcs, 20pcs per 10 inner boxes



NEW KEYS

SMART

NET TV

||| AUTOMATION



# RF REMOTE CONTROLS



Counter Display **SUPES8002**



**SUPRF001**

## Simple 2

**TYPE:**  
Self learning RF remote control.  
**Fixed frequency 433.92 Mhz**

**SETUP:**  
Follow the simple instructions  
in its instruction manual, original  
remote control required

**BLISTER CONTENT:**  
Instruction manual and remote  
control with 12V batteries included

**BATTERIES:**  
1 x 12V – 27A (Included)

**OUTER CARTON:**  
300 pcs



**SUPRF002**

## Simple 4

**TYPE:**  
Self learning RF remote control.  
**Fixed frequency 433.92 Mhz**

**SETUP:**  
Follow the simple instructions  
in its instruction manual, original  
remote control required

**BLISTER CONTENT:**  
Instruction manual and remote  
control with 12V batteries included

**BATTERIES:**  
1 x 12V – 27A (Included)

**OUTER CARTON:**  
300 pcs





SUPRF003

## Key

### TYPE:

Self learning RF remote control.  
**Fixed frequency 433.92 Mhz**

### SETUP:

Follow the simple instructions in its instruction manual. Original remote control required

### BLISTER CONTENT:

Instruction manual and remote control with 12V batteries included

### BATTERIES:

2 x 3V - CR2016 (Included)

**OUTER CARTON:**  
60 pcs



SUPRF004

## Multi-Key

### TYPE:

Self learning RF remote control. **Fixed multi-frequency 433,92/868,35 Mhz**

### SETUP:

Follow the simple instructions in its instruction manual. Original remote control required

### BLISTER CONTENT:

Instruction manual and remote control with 12V batteries included

### BATTERIES:

2 x 3V - CR2016 (Included)

**OUTER CARTON:**  
60 pcs



SUPRR001

## Roll&Copy

### TYPE:

Self learning RF remote control.  
**Fixed and rolling frequency 433,92 Mhz**

### SETUP:

Follow the simple instructions in its instruction manual. Programming with learning or from the control unit

### BLISTER CONTENT:

Instruction manual and remote control with 12V batteries included

### BATTERIES:

2 x 3V - CR2025 (Included)

**OUTER CARTON:**  
50 pcs



SUPRK001

## 433MHz Indoor

**TYPE:** Radio receiver kit for **Indoor** with 2 RF remote controls

**POWER:** 12V – 24V

**RELÉ:** 12A – 14Vdc – 7A

**BATTERIES:** 12 V – 27A (included)

**SETUP:** Configuration and electric scheme are supplied inside blister

**MODE:** 2 channels configurable mode monostable or bistable

**BLISTER CONTENT:** Antenna, receiver, 2 RF remote control and instruction manual. Batteries are included

**OUTER CARTON:**  
62 pcs







SUPRK002

### 433MHz Outdoor

**TYPE:** Radio receiver kit for **Outdoor** with 2 RF remote controls

**POWER:** 12/24V – AC/DC

**BATTERIES:** 12 V – 27A (included)

**SETUP:** Configuration and electric scheme are supplied inside blister

**MODE:** 2 channels configurable mode monostable or bistable

**BLISTER CONTENT:** Antenna, receiver, 2 RF remote control and instruction manual. Batteries are included

**OUTER CARTON:** 36 pcs



SUPRK003

### 868MHz Outdoor

**TYPE:** Radio receiver kit for **Outdoor** with 2 RF remote controls.

**POWER:** 12/24V – AC/DC

**BATTERIES:** 12 V – 27A (included)

**SETUP:** Configuration and electric scheme are supplied inside blister

**MODE:** 2 channels configurable mode monostable or bistable

**BLISTER CONTENT:** Antenna, receiver, 2 RF remote control and instruction manual. Batteries are included

**OUTER CARTON:** 36 pcs



SUPRK004

### 433MHz Automazione 220V (Garden)

**TYPE:** Radio receiver kit for **Outdoor** with 2 RF remote controls. Self learning

**POWER:** 220V AC - 10A

**BATTERIES:** 12 V – 27A (included)

**SETUP:** Configuration and electric scheme are supplied inside blister. This product must be installed by a skilled technician

**MODE:** Stable(timed)/Bi-stable

**BLISTER CONTENT:** Antenna, receiver, 2 RF remote control and instruction manual. Batteries are included

**OUTER CARTON:** 14 pcs



SUPRK005

### Control Unit multi-frequency fixed & rolling

**TYPE:** Radio receiver for Indoor for both fixed and rolling frequency

**POWER:** 12/24V – AC/DC

**SETUP:** Configuration and electric scheme are supplied inside blister

**MODE:** Stable(timed)/Bi-stable

**BLISTER CONTENT:** Antenna, receiver, and instruction manual

# AUDIO VIDEO



SUPASB001

## My Way Dot

**TYPE:** Portable wireless speaker

**SPECIFICATION DATA:**

Fully loaded battery life: about 4H. Charge Time: 1h30m. Power requirements (input): 5V 500mA. Power consumption: 3W. Operating frequency: 100HZ-16kHz. Impedance: 4Ω

**SETUP:**

Easy pairing following instruction manual

**BLISTER CONTENT:**

Bluetooth speaker, micro USB cable, instruction manual

**BATTERIES:**

Litio (Integrated)

**OUTER CARTON:**

24 pcs





SUPASB003

### My Way Traveler

**TYPE:** Portable wireless speaker

**SPECIFICATION DATA:**

Fully loaded battery life: about 4H. Charge Time: 1h30m. Power requirements (input): 5V 500mA. Power consumption: 3W. Operating frequency: 100HZ-16kHz. Impedance: 4Ω

**SETUP:**

Easy pairing following instruction manual

**BLISTER CONTENT:**

Bluetooth speaker, micro USB cable, instruction manual

**BATTERIES:**

Litio (Integrated)

**OUTER CARTON:**

24 pcs



SUPSCA001

### Wireless Car Charger

**TYPE:** Wireless car charger mount for smartphone. Fast charge supported

**SETUP:**

Plug and play

**BLISTER CONTENT:**

Charger mount, suction cup holder, USB cable, instruction manual and 2 year warranty

**OUTER CARTON:**

50 pcs



SUPNAI 001

### Indoor Antenna NAI001

**TYPE:** High gain indoor amplified antenna

**SETUP:**

Plug and play

**BLISTER CONTENT:**

Antenna, instruction manual, 2 year warranty

**OUTER CARTON:**

10 pcs



SUPNAO 001

### Outdoor Antenna NA0001

**TYPE:** High gain outdoor amplified antenna

**SETUP:**

Plug and play

**BLISTER CONTENT:**

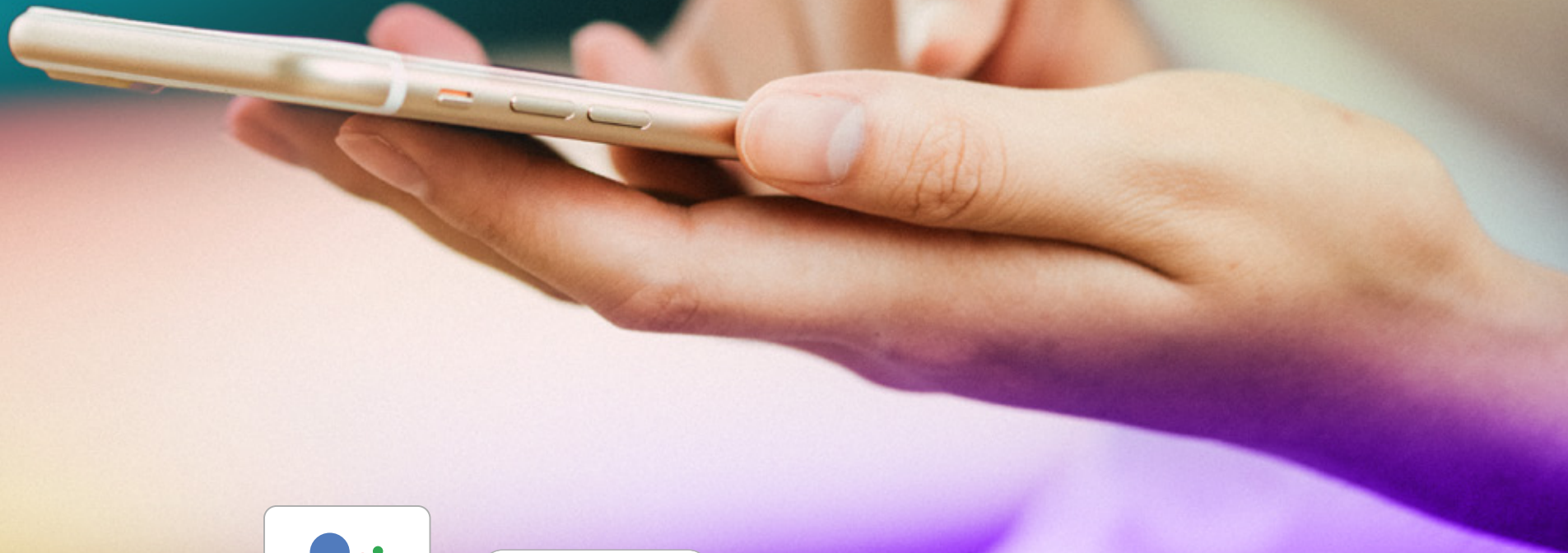
HDTV Antenna, power box, materiale di fissaggio, instruction manual, 2 year warranty

**OUTER CARTON:**

10 pcs



# SMART DEVICES



SUPERIOR  SMART





SUPiCM001

### Security SUPiCM001

**TYPE:** HD Wireless Indoor Smart Camera

**FUNCTIONS:** Live video, Recording, Movement, Microphone, Night mode, Alarm

**SPECIFICATION DATA:**

- Viewing angle: 75°
- Pan/Tilt angle: horizontal 355°, vertical 110°
- Resolution: 1280\*720p
- Night vision distance: 8-10 m
- IR-CUT filter: included
- SD card storage up to 128 GB (card not included)
- Power supply: 5V/1A DC

**SETUP:** Easy setup following instructions on the Smart Life® App (iOS® and Android®)

**BLISTER CONTENT:** 720p camera, power adapter (cable+plug), wall bracket, 2 screws, 2 wall plugs, instruction manual

**OUTER CARTON:** 40 pcs



SUPiCM002

### Security SUPiCM002

**TYPE:** Full HD Wireless Outdoor Smart Camera

**FUNCTIONS:** Live video, Recording, Movement, Microphone, Night mode, Alarm

**SPECIFICATION DATA:**

- Viewing angle: 75°
- Weather resistant (IP66)
- Resolution: 1920\*1080p
- Night vision distance: 20-25 m
- IR-CUT filter: included
- SD card storage up to 128 GB (card not included)
- Power supply: 12V/1A DC

**SETUP:** Easy setup following instructions on the Smart Life® App (iOS® and Android®)

**BLISTER CONTENT:** 1080p camera, antenna, power adapter, 4 screws, 4 expansion bolts, instruction manual

**OUTER CARTON:** 30 pcs



SUPiLR001

### Smart Bulb SUPiLR001

**TYPE:** Smart LED RGB and Warm/cold White Bulb

**SPECIFICATION DATA:**

- Consumption reduced by 90% compared to traditional incandescent bulbs
- Light color: dimmable 16.5 million colors and warm/cold white (2700k-6500k)
- Works with Alexa and Google Assistant
- Wireless
- Estimated lifetime: 15.000 hours
- Instant max glow
- No hub required
- Daily/weekly timer
- Cap type E27 - A19/A60
- 10W - 800lm
- Energy rating: A+

**SETUP:** It works immediately, just connect it to the Android® or iOS® application

**OUTER CARTON:** 24 pcs



SUPiLW001

### Smart Bulb SUPiLW001

**TYPE:** Smart LED warm white bulb

**SPECIFICATION DATA:**

- Consumption reduced by 90% compared to traditional incandescent bulbs
- Light color: dimmable warm white (3000K)
- Works with Alexa and Google Assistant
- Wireless
- Estimated lifetime: 15.000 hours
- Instant max glow
- No hub required
- Daily/weekly timer
- Cap type E27 - A19/A60
- 10W - 800lm
- Energy rating: A+

**SETUP:** It works immediately, just connect it to the Android® or iOS® application

**OUTER CARTON:** 24 pcs





SUPiPW001

## Plug SUPiPW001

**TYPE:** Wireless Smart Plug

**SPECIFICATION DATA:**

- Works with Alexa and Google Assistant
- Wireless
- Daily/weekly timer
- Standard SCHUKO in/out
- max. current : 16A
- Monitoring function for efficient energy consumption
- Remote control by app for greater safety

**SETUP:** Easy setup following instructions on the Smart Life® App (iOS® and Android®)

**OUTER CARTON:**  
24 pcs



SUPiSW001

## Sensor SUPiSW001

**TYPE:** Wireless window/door sensor

**SPECIFICATION DATA:**

- Works with Alexa and Google Assistant
- Notifies remotely on the app when .door/window is opened
- Compact and elegant design
- Long battery life
- Fixing material included

**SETUP:** Very easy setup following Smart Life app instructions (IOS and Android)

**OUTER CARTON:**  
24 pcs.



SUPiTB001

## Universal Smart IR control SUPiTB001

**TIPO:** Smartphone universal remote control

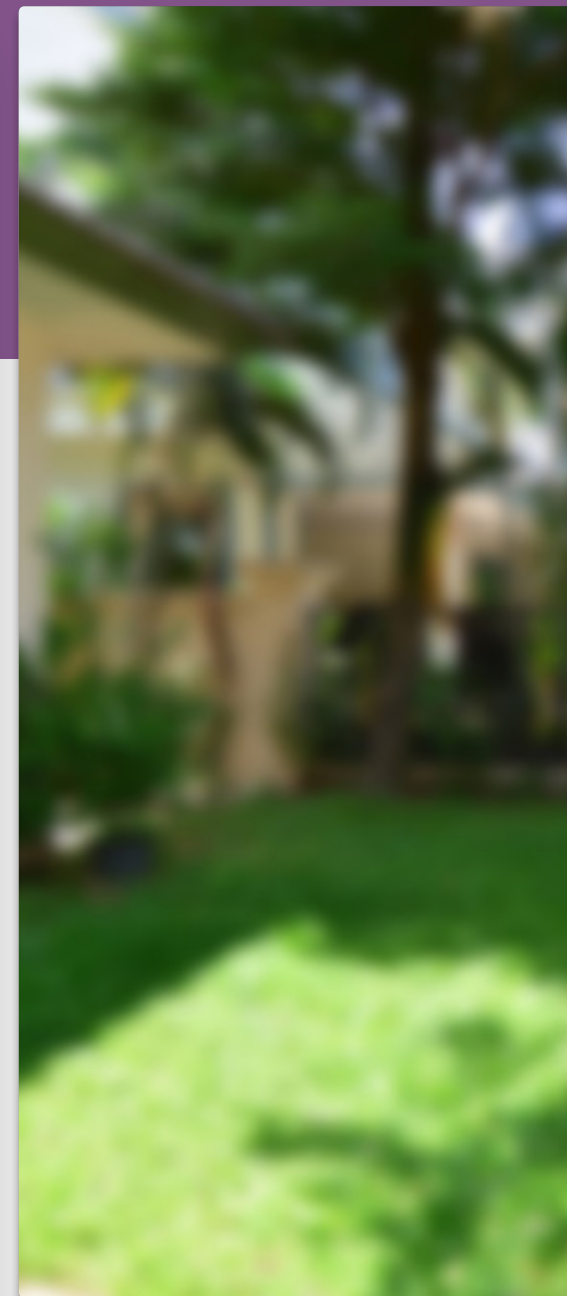
**DATI TECNICI:**

- Input: DC 5V/1A
- Frequency IR: 38-56 kHz
- Frequency WiFi: 2,4 GHz
- Range : ≤ 10 metri
- Working temp: 0°C - 50°C
- Humidity: ≤85% RH
- Dimensions: 68\*17 mm (ø \* h)
- Blue LED

**SETUP:** Very easy setup following instructions on the Smart Life® App (iOS® and Android®)

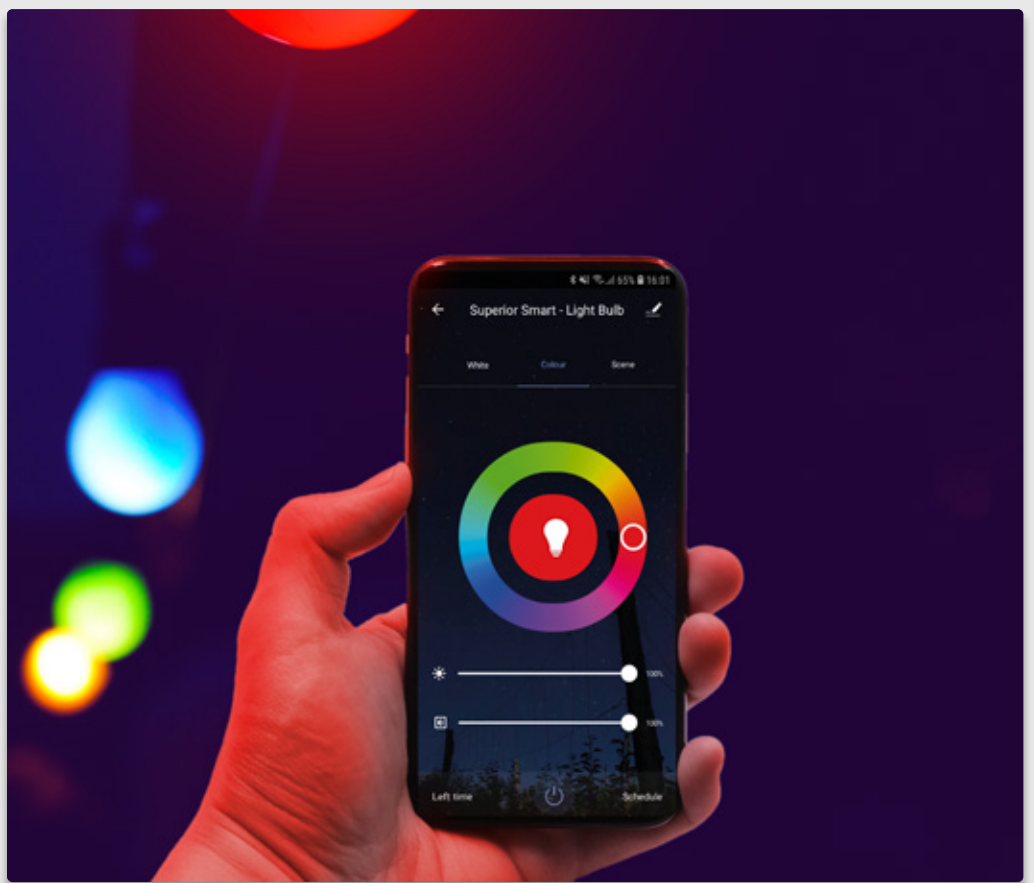
**COMPATIBLE WITH:** AirCo, fans, heating air purifiers, TV, SAT/DTT, TV Box, DVD player, Bluray, projectors, audio, lighting, many other devices

**OUTER CARTON:**  
24 pcs

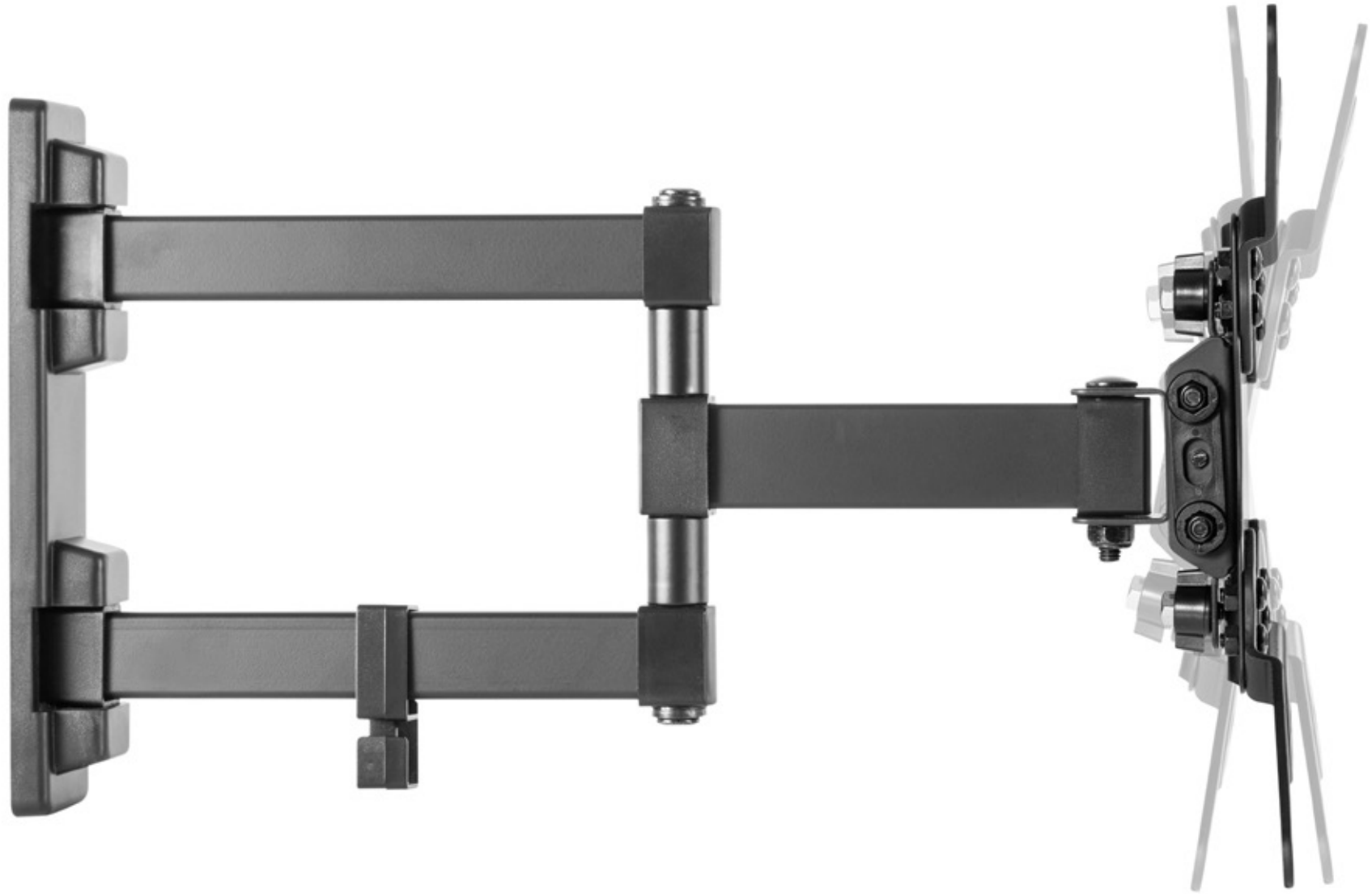




# SUPERIOR SMART



✂ WALL MOUNT







SUPSTV009

## 13-42 Motion Extra Slim

TV SIZE: 13" - 42"

TV MODEL: Lcd/Led/Plasma

WEIGHT CAPACITY: 20kg / 44lbs

TILT RANGE: +5° ~ -12°

SWIVEL RANGE: +90° ~ -90°

LEVEL ADJUSTMENT: +3° ~ -3°

MATERIAL: Steel

VESA COMPATIBLE: 75x75, 100x100, 200x100, 200x200

DISTANCE FROM THE WALL: 60-190 mm

ADDITIONAL CONTENT: Cable management system, direction indicator, instructions manual, 2 years warranty



SUPSTV010

## 13-42 Full Motion Extra Slim

TV SIZE: 13" - 42"

TV MODEL: Lcd/Led/Plasma

WEIGHT CAPACITY: 20kg / 44lbs

TILT RANGE: +5° ~ -12°

SWIVEL RANGE: +90° ~ -90°

LEVEL ADJUSTMENT: +3° ~ -3°

MATERIAL: Steel

VESA COMPATIBLE: 75x75, 100x100, 200x100, 200x200

DISTANCE FROM THE WALL: 60-364 mm

ADDITIONAL CONTENT: Cable management system, direction indicator, instructions manual, 2 years warranty



SUPSTV001

## 23-42 Fixed Extra Slim

TV SIZE: 23" - 42"

TV MODEL: Lcd/Led/Plasma

WEIGHT CAPACITY: 30kg/66lbs

MATERIAL: Steel

OUTER CARTON: 10 pcs

VESA COMPATIBLE: 75x75, 100x100, 200x100, 200x200

DISTANCE FROM THE WALL: 27 mm

ADDITIONAL CONTENT: Bubble level, direction indicator, instructions manual, 2 years warranty



SUPSTV008

## 23-42 Tilt Extra Slim

TV SIZE: 23" - 42"

TV MODEL: Lcd/Led/Plasma

WEIGHT CAPACITY: 35kg/77lbs

TILT RANGE: 0° ~ -8°

MATERIAL: Steel

OUTER CARTON: 12 pcs

VESA COMPATIBLE: 75x75, 100x100, 200x100, 200x200

DISTANCE FROM THE WALL: 20,5 mm

ADDITIONAL CONTENT: Instructions manual, 2 years warranty





SUPSTV002

## 32-55 Fixed Ultra Flat

TV SIZE: 32" - 55"

TV MODEL: Lcd/Led/Plasma

WEIGHT CAPACITY: 40kg/88lbs

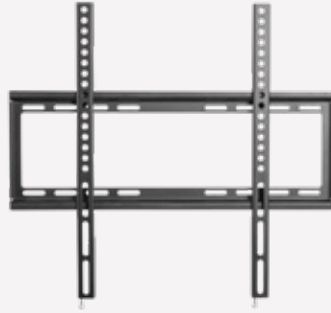
MATERIAL: Steel

OUTER CARTON: 16 pcs

VESA COMPATIBLE: 200x200, 300x300, 400x200, 400x400

DISTANCE FROM THE WALL: 22mm

ADDITIONAL CONTENT: Bubble level, instructions manual, 2 years warranty



SUPSTV004

## 32-55 Fixed Extra Slim

TV SIZE: 32" - 55"

TV MODEL: Lcd/Led/Plasma

WEIGHT CAPACITY: 35kg/77lbs

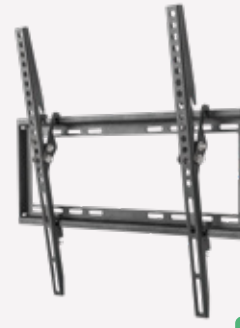
MATERIAL: Steel

OUTER CARTON: 12 pcs

VESA COMPATIBLE: 100x100, 200x100, 200x200, 200x300, 300x300, 400x300, 400x400

DISTANCE FROM THE WALL: 24mm

ADDITIONAL CONTENT: Instructions manual, 2 years warranty



SUPSTV005

## 32-55 Tilt Extra Slim

TV SIZE: 32" - 55"

TV MODEL: Lcd/Led/Plasma

WEIGHT CAPACITY: 35kg/77lbs

TILT RANGE: 0° ~ -8°

MATERIAL: Steel

OUTER CARTON: 12 pcs

VESA COMPATIBLE: 100x100, 200x100, 200x200, 200x300, 300x300, 400x300, 400x400

DISTANCE FROM THE WALL: 53mm

ADDITIONAL CONTENT: Instructions manual, 2 years warranty



SUPSTV003

## 32-55 Full Motion Extra Slim

TV SIZE: 32" - 55"

TV MODEL: Lcd/Led/Plasma/ Curved TV

WEIGHT CAPACITY: 35kg/77lbs

TILT RANGE: +10° ~ -15°

SWIVEL RANGE: +90° ~ -90°

LEVEL ADJUSTMENT: +3° ~ -3°

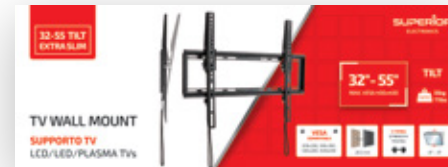
MATERIAL: Steel

OUTER CARTON: 6 pcs

VESA COMPATIBLE: 200x200, 300x300, 400x200, 400x400

DISTANCE FROM THE WALL: 63-427mm

ADDITIONAL CONTENT: Cable management system, direction indicator, instructions manual, 2 years warranty





SUPSTV006

### 37-70 Fixed Extra Slim

TV SIZE: 37" - 70"

TV MODEL: Lcd/Led/Plasma

WEIGHT CAPACITY: 35kg/77lbs

MATERIAL: Steel

OUTER CARTON: 10 pcs

VESA COMPATIBLE: 100x100, 200x100, 200x200, 200x300, 300x300, 400x300, 400x400, 600x400

DISTANCE FROM THE WALL: 24mm

ADDITIONAL CONTENT: Instructions manual, 2 years warranty



SUPSTV015

### 37-70 Tilt Extra Slim

TV SIZE: 37" - 70"

TV MODEL: Lcd/Led/Plasma

WEIGHT CAPACITY: 35kg/77lbs

TILT RANGE: 0° ~ -8°

MATERIAL: Steel

OUTER CARTON: 10 pcs

VESA COMPATIBLE: 200x200, 200x300,

400x200, 400x400, 600x400

DISTANCE FROM THE WALL: 20.5mm

ADDITIONAL CONTENT: Instructions manual, 2 years warranty



SUPSTV011

### 37-70 Full Motion Extra Slim

TV SIZE: 37" - 70"

TV MODEL: Lcd/Led/Plasma, Curved TV

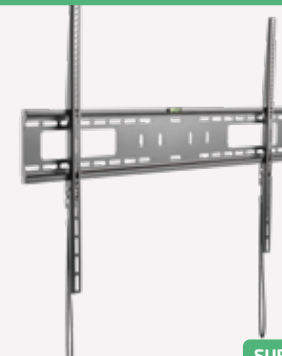
WEIGHT CAPACITY: 40kg / 88lbs

MATERIAL: Steel

VESA COMPATIBLE: 200x200, 300x300, 400x200, 400x400, 600x400

DISTANCE FROM THE WALL: 53-464mm

ADDITIONAL CONTENT: Cable management system, direction indicator, instructions manual, 2 years warranty



SUPSTV007

### 60-100 Fixed Extra Slim

TV SIZE: 60" - 100"

TV MODEL: Lcd/Led/Plasma

WEIGHT CAPACITY: 75kg/165lbs

MATERIAL: Steel, plastic

OUTER CARTON: 5 pcs

VESA COMPATIBLE: 200x200, 300x200, 300x300, 400x200, 400x300, 400x400, 600x400, 600x600, 800x600, 900x600

DISTANCE FROM THE WALL: 30,5mm

ADDITIONAL CONTENT: Spring Lock system, bubble level, instructions manual, 2 years warranty





SUPSTV014

## 49, 55, 65 QLED Extra Slim

**TV SIZE:** 49", 55", 65"

**TV MODEL:** Samsung QLED TVs  
Q7C™(49"/55"/65"), Q7CN™(55"/65")  
Q7F™(49"/55"/65"), Q7FN™(55"/65")  
Q8C™(55"/65"), Q85R™(55"/65")  
Q900™(55"/65"), Q900R™(55"/65")  
Q950R™(65"), Q950T™(65")  
Q95T™(55"/65"), Q90R™(55"/65")  
Q9F™(65"), Q9FN™(55"/65")

**WEIGHT CAPACITY:** 50kg/110lbs

**MATERIAL:** Steel

**OUTER CARTON:** 8 pcs

**DISTANCE FROM THE WALL:** 17-92mm

**ADDITIONAL CONTENT:** Cable management system, instructions manual, 2 years warranty



SUPSTV012

## 42-70 Triwood

**TV SIZE:** 42" - 70"

**TV MODEL:** Lcd/Led/Plasma, Curved TV

**WEIGHT CAPACITY:** 28kg / 61.5lbs

**SWIVEL RANGE:** +180° ~ -180°

**MATERIAL:** Steel, wood

**VESA COMPATIBLE:** 200x200,  
300x200, 300x300, 400x200,  
400x300, 400x400, 600x400

**ADDITIONAL CONTENT:** Cable management system, instructions manual, 2 years warranty



SUPSTV013

## Projector Full Motion Mount

**TV MODEL:** Projectors

**WEIGHT CAPACITY:** 13.5kg / 29.7lbs

**TILT RANGE:** +15° ~ -15°

**SWIVEL RANGE:** 360°

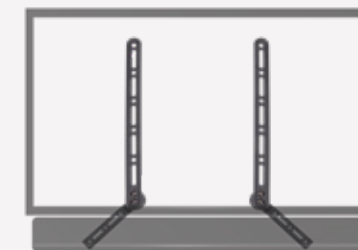
**LEVEL ADJUSTMENT:** +15° ~ -15°

**MATERIAL:** Steel

**VESA COMPATIBLE:** ø 54-320 mm

**DISTANCE FROM THE WALL:** 380-580mm

**ADDITIONAL CONTENT:** Instructions manual, 2 years warranty



SUPSTV016

## Soundbar Bracket

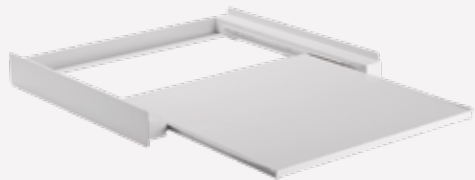
**WEIGHT CAPACITY:** 15kg / 33lbs

**MATERIAL:** Steel

**TV COMPATIBLE:** Universal

**ADDITIONAL CONTENT:** Instructions manual, 2 years warranty





SUPSLW001

## Tower Pro Kit space saver combines a clothes washer and a dryer

**TYPE:** it allows to place a clothes dryer on top of clothes washer. Extractable table

**WIDTH:** 60cm

**MONTAGGIO:** it is ready to be placed.

**COMPATIBILITY:**  
For all clothes washers and dryers either standard or slim with front loading, width 60 cm and a max depth of 60 cm

**PACKAGING CONTENTS:**  
support with an extractable table security string (6 m long) includes metal safety buckle



SUPSAW001

## Air Conditioners Wall Bracket

**WEIGHT CAPACITY:**  
80kg / 176lbs

**MATERIAL:**  
Steel

**BRAND/MODEL COMPATIBLE:**  
Universal

**ADDITIONAL CONTENT:**  
Instructions manual, 2 years warranty



	SUPSTV009	SUPSTV010	SUPSTV001	SUPSTV008	SUPSTV002	SUPSTV003	SUPSTV004	SUPSTV005
<b>MODEL</b>	<b>13-42 Motion Extra Slim</b>	<b>13-42 Full Motion Extra Slim</b>	<b>23-42 Fixed Extra Slim</b>	<b>23-42 Tilt Extra Slim</b>	<b>32-55 Fixed Ultra Flat</b>	<b>32-55 Full Motion Extra Slim</b>	<b>32-55 Fixed Extra Slim</b>	<b>32-55 Tilt Extra Slim</b>
<b>TV SIZE</b>	13" - 42"	13" - 42"	23" - 42"	23" - 42"	32" - 55"	32" - 55"	32" - 55"	32" - 55"
<b>TV MODEL</b>	Lcd/Led/Plasma	Lcd/Led/Plasma	Lcd/Led/Plasma	Lcd/Led/Plasma	Lcd/Led/Plasma	Lcd/Led/Plasma/Curved TV	Lcd/Led/Plasma	Lcd/Led/Plasma
<b>WEIGHT CAPACITY</b>	20kg / 44lbs	20kg / 44lbs	30kg / 66lbs	35kg / 77lbs	40kg / 88lbs	35kg / 77lbs	35kg / 77lbs	35kg / 77lbs
<b>TILT RANGE</b>	+5° ~ -12°	+5° ~ -12°	-	0° ~ -8°	-	+10° ~ -15°	-	0° ~ -8°
<b>SWIVEL RANGE</b>	+90° ~ -90°	+90° ~ -90°	-	-	-	+90° ~ -90°	-	-
<b>LEVEL ADJUSTMENT</b>	+3° ~ -3°	+3° ~ -3°	-	-	-	+3° ~ -3°	-	-
<b>ROTATION</b>	-	-	-	-	-	-	-	-
<b>MATERIAL</b>	Steel	Steel	Steel	Steel	Steel	Steel	Steel	Steel
<b>OUTER CARTON</b>	10 pcs	8 pcs	10 pcs	20 pcs	16 pcs	6 pcs	12 pcs	12 pcs
<b>VESA COMPATIBLE</b>	75x75, 100x100, 200x100, 200x200	75x75, 100x100, 200x100, 200x200	75x75, 100x100, 200x100, 200x200	50x50, 75x75, 100x100, 200x100, 200x200	200x200, 300x300, 400x200, 400x400	200x200, 300x300, 400x200, 400x400	100x100, 200x100, 200x200, 200x300, 300x300, 400x300, 400x400	100x100, 200x100, 200x200, 200x300, 300x300, 400x300, 400x400
<b>DISTANCE FROM THE WALL</b>	60 - 190 mm	60 - 364 mm	27 mm	20.5 mm	22 mm	63 - 427 mm	24 mm	53 mm
<b>ADDITIONAL CONTENTS</b>	<ul style="list-style-type: none"> <li>✓ Cable management system</li> <li>✓ Direction indicator</li> <li>✓ Instructions manual</li> <li>✓ 2 years warranty</li> </ul>	<ul style="list-style-type: none"> <li>✓ Cable management system</li> <li>✓ Direction indicator</li> <li>✓ Instructions manual</li> <li>✓ 2 years warranty</li> </ul>	<ul style="list-style-type: none"> <li>✓ Bubble level</li> <li>✓ Direction indicator</li> <li>✓ Instructions manual</li> <li>✓ 2 years warranty</li> </ul>	<ul style="list-style-type: none"> <li>✓ Instructions manual</li> <li>✓ 2 years warranty</li> </ul>	<ul style="list-style-type: none"> <li>✓ Bubble level</li> <li>✓ Instructions manual</li> <li>✓ 2 years warranty</li> </ul>	<ul style="list-style-type: none"> <li>✓ Cable management system</li> <li>✓ Direction indicator</li> <li>✓ Instructions manual</li> <li>✓ 2 years warranty</li> </ul>	<ul style="list-style-type: none"> <li>✓ Instructions manual</li> <li>✓ 2 years warranty</li> </ul>	<ul style="list-style-type: none"> <li>✓ Instructions manual</li> <li>✓ 2 years warranty</li> </ul>

SUPSTV014	SUPSTV006	SUPSTV015	SUPSTV011	SUPSTV007	SUPSTV012	SUPSTV013	SUPSTV016	
<b>49 · 55 · 65 QLED Extra Slim</b>	<b>37-70 Fixed Extra Slim</b>	<b>37-70 Tilt Extra Slim</b>	<b>37-70 Full Motion Extra Slim</b>	<b>60-100 Fixed Extra Slim</b>	<b>42-70 Triwood</b>	<b>Projector Full Motion Mount</b>	<b>Soundbar Bracket</b>	<b>MODEL</b>
49", 55", 65"	37" - 70"	37" - 70"	37" - 70"	60" - 100"	42" - 70"	-	-	<b>TV SIZE</b>
Samsung QLED TVs: (See page 36)	Lcd/Led/ Plasma	Lcd/Led/ Plasma	Lcd/Led/Plasma/ Curved TV	Lcd/Led/ Plasma	Lcd/Led/Plasma/ Curved TV	Projectors	Lcd/Led/Plasma	<b>TV MODEL</b>
50kg /110lbs	35kg / 77lbs	35kg / 77lbs	40kg / 88lbs	75kg / 165lbs	28kg / 61.5lbs	13.5kg / 29.7lbs	15kg / 33lbs	<b>WEIGHT CAPACITY</b>
-	-	0° ~ -8°-	+5° ~ -15°	-	-	+15° ~ -15°		<b>TILT RANGE</b>
-	-	-	+60° ~ -60°	-	+180° ~ -180°	360°		<b>SWIVEL RANGE</b>
+3° ~ -3°	-	-	+3° ~ -3°	-	-	+15° ~ -15°		<b>LEVEL ADJUSTMENT</b>
-	-	-	-	-	-	0° ~ 90°		<b>ROTATION</b>
Steel	Steel	Steel	Steel	Steel, plastic	Steel, wood	Steel	Steel	<b>MATERIAL</b>
8 pcs	10 pcs	10 pcs	3 pcs	5 pcs	3 pcs	10 pcs	20 pcs	<b>OUTER CARTON</b>
Samsung QLED TVs	100x100, 200x100, 200x200, 200x300, 300x300, 400x300, 400x400, 600x400	200x200, 200x300, 400x200, 400x400, 600x400	200x200, 300x300, 400x200, 400x400, 600x400	200x200, 300x200, 300x300, 400x200, 400x300, 400x400, 600x400, 600x600, 800x600, 900x600	200x200, 300x200, 300x300, 400x200, 400x300, 400x400, 600x400	ø 54-320 mm	Universal	<b>VESA COMPATIBLE</b>
17-92 mm	24 mm	20.5 mm	53-464 mm	30,5 mm	-	380-580 mm		<b>DISTANCE FROM THE WALL</b>
<ul style="list-style-type: none"> <li>✓ Cable management system</li> <li>✓ Instructions manual</li> <li>✓ 2 years warranty</li> </ul>	<ul style="list-style-type: none"> <li>✓ Instructions manual</li> <li>✓ 2 years warranty</li> </ul>	<ul style="list-style-type: none"> <li>✓ Instructions manual</li> <li>✓ 2 years warranty</li> </ul>	<ul style="list-style-type: none"> <li>✓ Cable management system</li> <li>✓ Direction indicator</li> <li>✓ Instructions manual</li> <li>✓ 2 years warranty</li> </ul>	<ul style="list-style-type: none"> <li>✓ Spring lock system</li> <li>✓ Bubble level</li> <li>✓ Instructions manual</li> <li>✓ 2 years warranty</li> </ul>	<ul style="list-style-type: none"> <li>✓ Cable management system</li> <li>✓ Instructions manual</li> <li>✓ 2 years warranty</li> </ul>	<ul style="list-style-type: none"> <li>✓ Instructions manual</li> <li>✓ 2 years warranty</li> </ul>	<ul style="list-style-type: none"> <li>✓ Instructions manual</li> <li>✓ 2 years warranty</li> </ul>	<b>ADDITIONAL CONTENTS</b>



# ALKALINE BATTERIES







SUPBA002

## Alkaline AA (blister)

**TYPE:**  
Alkaline batteries

**DESCRIPTION:**  
Cadmium and mercury free. Alkaline zinc-manganese battery AAA/AA size. Suitable for all electronic devices: toys, cameras, audio devices, remote controls, ecc.

**OUTER CARTON:**  
144 blisters. 12 blisters per 12 inner boxes (4 pcs/blister)



SUPBA004

## Alkaline AA (bulk)

**TYPE:**  
Alkaline batteries

**DESCRIPTION:**  
Cadmium and mercury free. Alkaline zinc-manganese battery AAA/AA size. Suitable for all electronic devices: toys, cameras, audio devices, remote controls, ecc.

**OUTER CARTON:**  
720 batteries. 24 pcs/inner box



SUPBA001

## Alkaline AAA (blister)

**TYPE:**  
Alkaline batteries

**DESCRIPTION:**  
Cadmium and mercury free. Alkaline zinc-manganese battery AAA/AA size. Suitable for all electronic devices: toys, cameras, audio devices, remote controls, ecc.

**OUTER CARTON:**  
144 blisters. 12 blisters per 12 inner boxes (4 pcs/blister)



SUPBA003

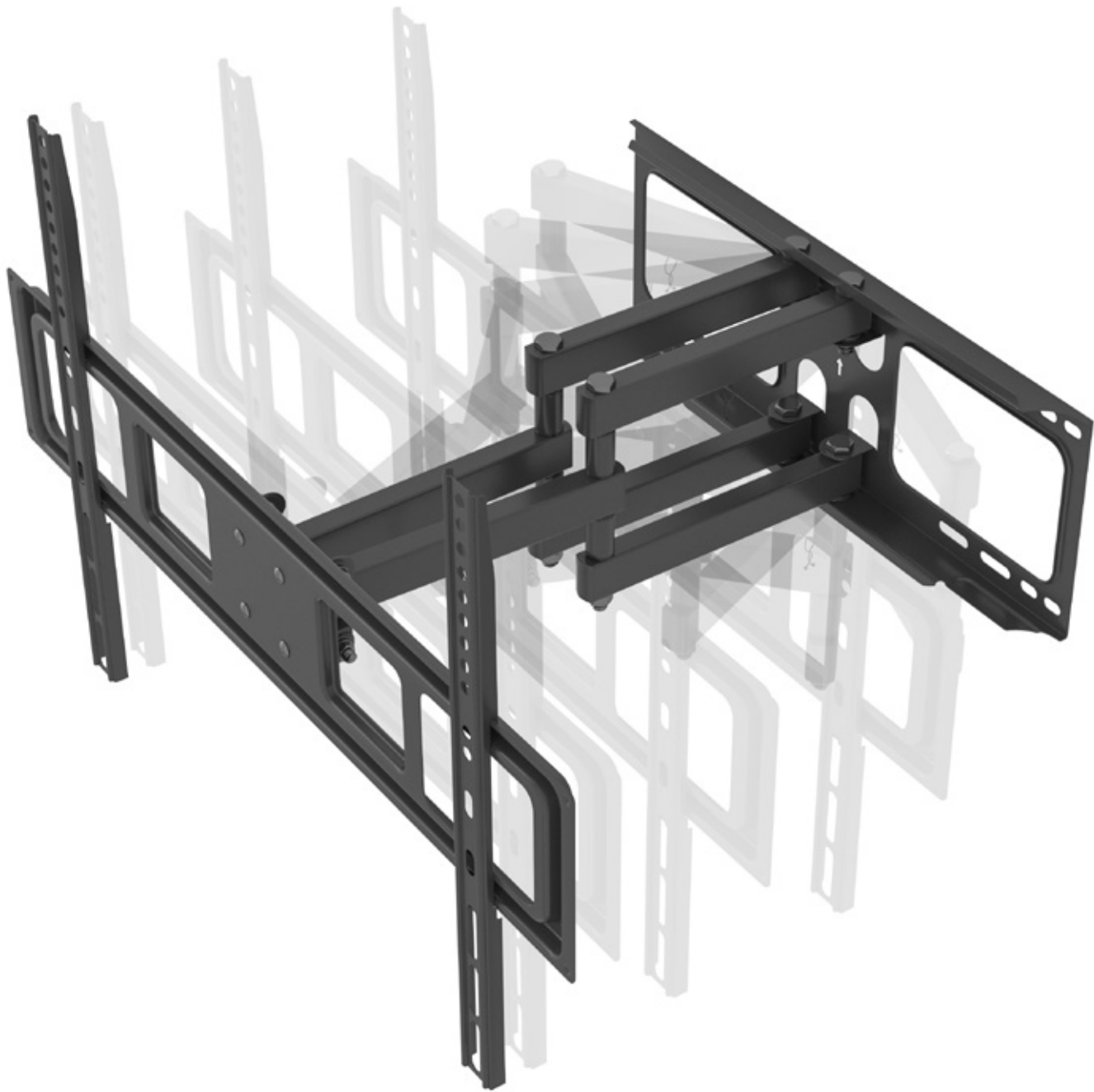
## Alkaline AAA (bulk)

**TYPE:**  
Alkaline batteries

**DESCRIPTION:**  
Cadmium and mercury free. Alkaline zinc-manganese battery AAA/AA size. Suitable for all electronic devices: toys, cameras, audio devices, remote controls, ecc.

**OUTER CARTON:**  
1200 batteries. 60 pcs/inner box







**SUPERIOR**  
AirCo 5000

24°C  
12:32  
FAN  
LIGHT  
AUTO  
LED BACKLIGHT

MODE  
LED BACKLIGHT  
ON/OFF

FAN  
TEMP ▼  
TEMP ▲

°C/°F  
SWING  
SWING

HEAT  
I COOL  
I HEAT

SET  
TIME OFF  
TIME ON



**SUPERIOR**  
ELECTRONICS *10<sup>th</sup> Anniversary*

**SUPERIOR-ELECTRONICS.COM**

**Registered office:** Largo Lanciani, 24 – 00162 Roma

**Operational office :** Via Bolognola 37 – 00138 Roma

**Sales:** +39 06 97 61 83 81