

# NE63BG8315SS

SAMSUNG

## 6.3 cu. ft. Smart Slide-in Electric Range with Air Fry & Convection in Stainless Steel



### Signature Features

#### Air Fry

- A healthier way to prepare your favorite fried foods right in your oven with little to no oil.\* No preheating required.

\*As compared to deep frying. Air Fry tray sold separately.

#### Convection

- Powerful Convection saves you time by cooking food fast and more evenly. Perfect for baking and roasting.

#### Ready2Fit™ Guarantee

- If your Samsung Front Control Slide-In Range doesn't fit your 30" Freestanding Range cutout, enjoy \$100\* on us to cover any countertop modification costs.

\*Visit <https://promos.samsung.com/slideinready2fit> for details.

### Available Color



Fingerprint Resistant  
Stainless Steel



Air Fry – Tray Not Included



Convection

### Features

- Air Fry – Tray Not Included
- Convection
- Ready2Fit™ Guarantee
- Fingerprint Resistant Finish
- Large Oven Capacity – 6.3 cu. ft.
- Glass Touch Controls
- Storage Drawer

- Flexible Cooktop:  
Five Element Cooktop
  - Two Dual Elements (6"/9" and 9"/12")
  - Two Single Elements (6")
  - Warming Center

### Convenience

- Wi-Fi Connectivity
- Voice-Enabled
- Convection Auto Conversion
- Self & Steam Clean
- Hidden Bake Element
- Child Safety Lock
- Delay Start
- Auto Oven Light
- Kitchen Timer
- Sabbath Mode

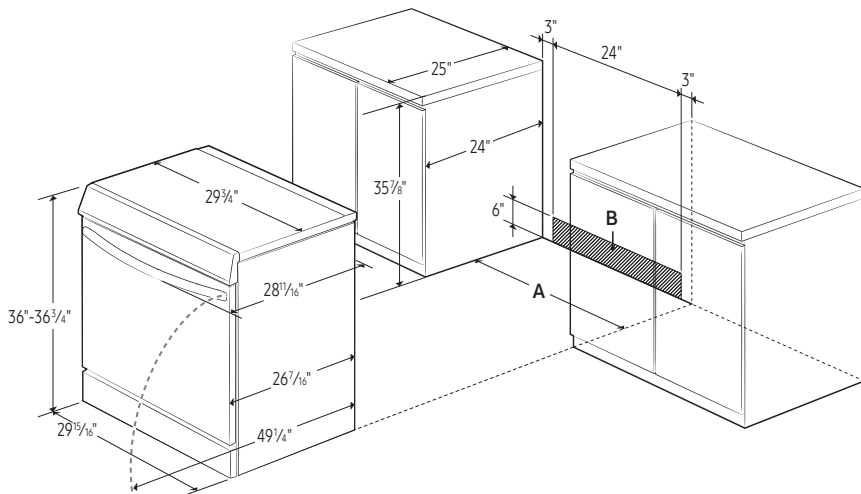


# NE63BG8315SS

# SAMSUNG

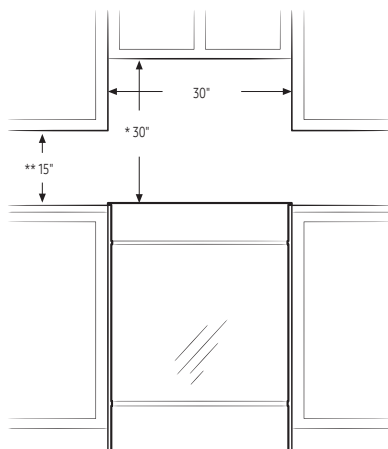
## 6.3 cu. ft. Smart Slide-in Electric Range with Air Fry & Convection in Stainless Steel

### Installation Specifications



A: Cabinet opening min 30"  
B: Acceptable electrical outlet area

**IMPORTANT:** If your cabinets are over 36<sup>3</sup>/<sub>4</sub>" high, you must install this range on a hard, heat resistant support that raises the surface of the range so that it is about even with the countertop.



\* 30" minimum clearance between the top of the cooking surface and the bottom of an unprotected wood or metal cabinet; or 24" minimum when the bottom of the wood or metal cabinet is protected by not less than 1/4" of flame retardant millboard covered with not less than no.28 MSG sheet steel, 0.015" stainless steel, 0.024" aluminum, or 0.020" copper.

\*\*15" minimum between the countertop and the adjacent cabinet bottom.

**IMPORTANT:** Consult with Installation Manual for detailed instructions before installing. All ranges must be installed with the Anti-Tip device that is included.

### Power Source

240V/208V/60 Hz/40A

### Electric Ceramic Cooktop

- Right Front: 9"/12" Dual Element, 3000 W
- Left Front: 6"/9" Dual Element, 3000 W
- Right Rear: 6", 1200 W
- Left Rear: 6", 1200 W
- Center: 7" Warming Center

### Oven

- Capacity: 6.3 cu. ft.
- Convection Bake
- Convection Roast
- Bake
- Air Fry
- Variable Broil: Low/High
- Bread Proof

### Warranty

One (1) Year Parts and Labor

### Product Dimensions & Weight (WxHxD)

Oven Interior Dimensions:

24<sup>13</sup>/<sub>16</sub>" x 22<sup>7</sup>/<sub>16</sub>" x 19<sup>3</sup>/<sub>4</sub>"

Outside Net Dimensions:

29<sup>15</sup>/<sub>16</sub>" x 36-36<sup>3</sup>/<sub>4</sub>" (Adjustable) x 28<sup>11</sup>/<sub>16</sub>"

Weight: 171.5 lbs

### Shipping Dimensions & Weight (WxHxD)

Dimensions:

33<sup>1</sup>/<sub>16</sub>" x 41<sup>3</sup>/<sub>4</sub>" x 30<sup>5</sup>/<sub>16</sub>"

Weight: 194.4 lbs

### Color

Fingerprint Resistant  
Stainless Steel

### Model #

NE63BG8315SS

### UPC Code

887276712468

