



September, 1980  
Supersedes DB 34-251,  
Dated February, 1968

600 Volts, 20 Ampere  
Continuous Capacity

Mailed To: E, D, C/1976/DB

# Instrument and Control Switches Type W-2

## Application

The Type W-2 switch is designed for use as an instrument, control or general purpose switch. It is compact, yet of sufficient size to provide long, trouble-free service when applied within the specified ratings.

Design flexibility of internal parts and contacting, plus external jumpering of the contact studs affords almost limitless switching combinations for relatively few standard components. The design flexibility is provided in the basic switch styles. A complete switch is made up of a basic switch, one of several styled handles, external jumper, (when required) and a nameplate.

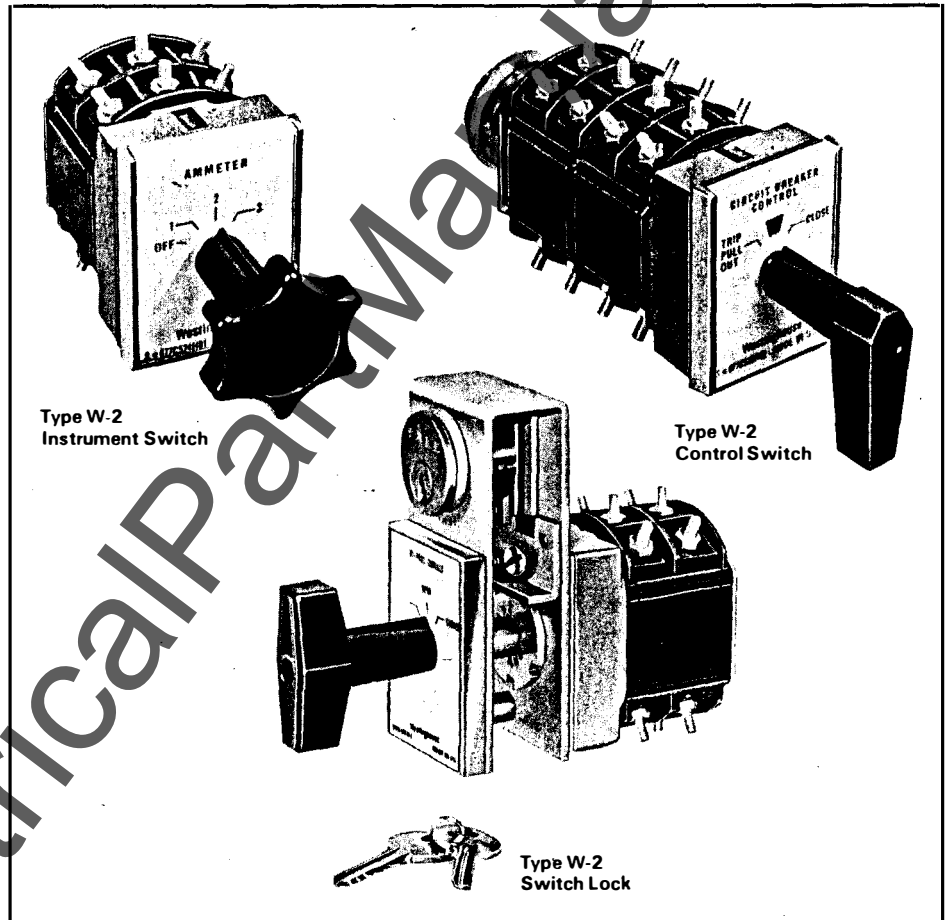
The W-2 switch may be ordered as a single style unit where such a style meets a specific application. Where a single listed style does not meet a specific application, the desired switch may be ordered by specifying the required styled components. As separate items or by completing Contact Tabulation Form 34219.

The materials used in the manufacture of the Type W-2 Switch make it virtually inherently fungus proof. Only the handles are made of organic material and, therefore, the only part requiring fungus treatment.

The style numbers shown in this bulletin apply to switches for mounting on 1/8 to 1/4 inch thick panels. Switches for thicker panels (up to two inches) are available on special order. They may be obtained by 1) specifying as "similar to a given style except for mounting on \_\_\_\_\_ inch thick panel, or 2) by completing contact tabulation Form 34219.

**Instrument Switches:** Maintained contact type for use with all classes of electrical instruments, relays, meters, and for performing various circuit combinations. Designed for panel mounting and equipped with handles for manual operation.

**Control Switches:** Are designed as spring return to the original or neutral position. They are used for circuit breaker control and other types of electrically controlled apparatus where momentary contact is required. They are designed for panel mounting and equipped with a handle for manual operation.



## Advantages

- Small Size
- Variable Circuitry by "You Wire It"
- More Contacts per Unit Volume
- Roller-Wipe Spring Actuated Contacting
- Momentary and Maintained Contact Designs, or in Combination
- Greater Availability of Contacts with Terminal Identification for Automated Wiring or Application Changes in Field
- Double Break Contacts per Stage
- UL recognized

## Index

	Page
Application .....	1
Design Features .....	2
Operation .....	3
Interrupting Ratings .....	3
Construction .....	5
Materials .....	8
Contact Interpretation .....	4
External Jumpers .....	9
Nameplates .....	9
Enclosures and Attachments .....	10
Auxiliary Switches .....	13
Outline Dimensions .....	14
Switches (Specific Applications) .....	16
Basic Switches and General Application .....	17

**Design Features**

**General Construction**

The W-2 switch consists essentially of an operating handle, face plate, control housing, contact frame assembly and rotor assembly. It can be built up in any number of stages from 1 to 9, which stages are clamped together and to the control housing by two tie bolts. A steel operating shaft ties the contact rotors together. A metal cover on the rear holds the position stop pins, retains the shaft and provides switch identification. For push or pull switches, the metal cover is replaced by a polycarbonate cover which houses the pull-out mechanism.

**Switch Positions**

The Type W-2 switch has a minimum of two and a maximum of twelve rotary positions with a 30° throw between positions, irrespective of the number. Each rotary position coincides precisely with the nameplate markings. The degree of throw between positions is fixed and cannot be changed. The number of positions of each switch can be altered by removing the rear cover and changing the position of the "stop" pin or pins located in the rear housing spacer. In addition to rotary motion, the W-2 switch can be provided with a lateral movement (push-pull) of the handle and shaft.

**Contact Frames**

Two contact frame sizes are available; the half frame with six sets of contacts; three sets on the top at 11, 12 and 1 o'clock positions and three sets on the bottom at 5, 6 and 7 o'clock positions. The full frame with 12 sets of contacts, each set located at 30° intervals around its perimeter as are the numbers on a clock. The contact frames are made of glass polyester insulating material.

**Contacts**

Switches are usually referred to as "so many stages long". For a W-2 switch, a stage of contacts consists of a contact frame (either 6 or 12 contact sets) and a rotor.

At every position location on the frame, there are two contact terminal studs in line (a set) per stage. Each of these studs is one piece, made of bronze alloy and silver plated.

**Rotors**

The rotors are standard in design and hold the roller contacts. Each rotor, made of glass polyester insulating material, rotates independently between the stage spacer plates. The rotor assembly is equipped with one to six rollers (as determined by the required circuitry) each of which makes contact with two adjacent

stationary terminal studs to complete a circuit and so affording a double, series break contact. The silver-plated bronze alloy roller contacts provide a rolling, wiping action, are self-aligning on assembly and require no adjustment of contact pressure for the life of the switch. Contact springs do not carry current.

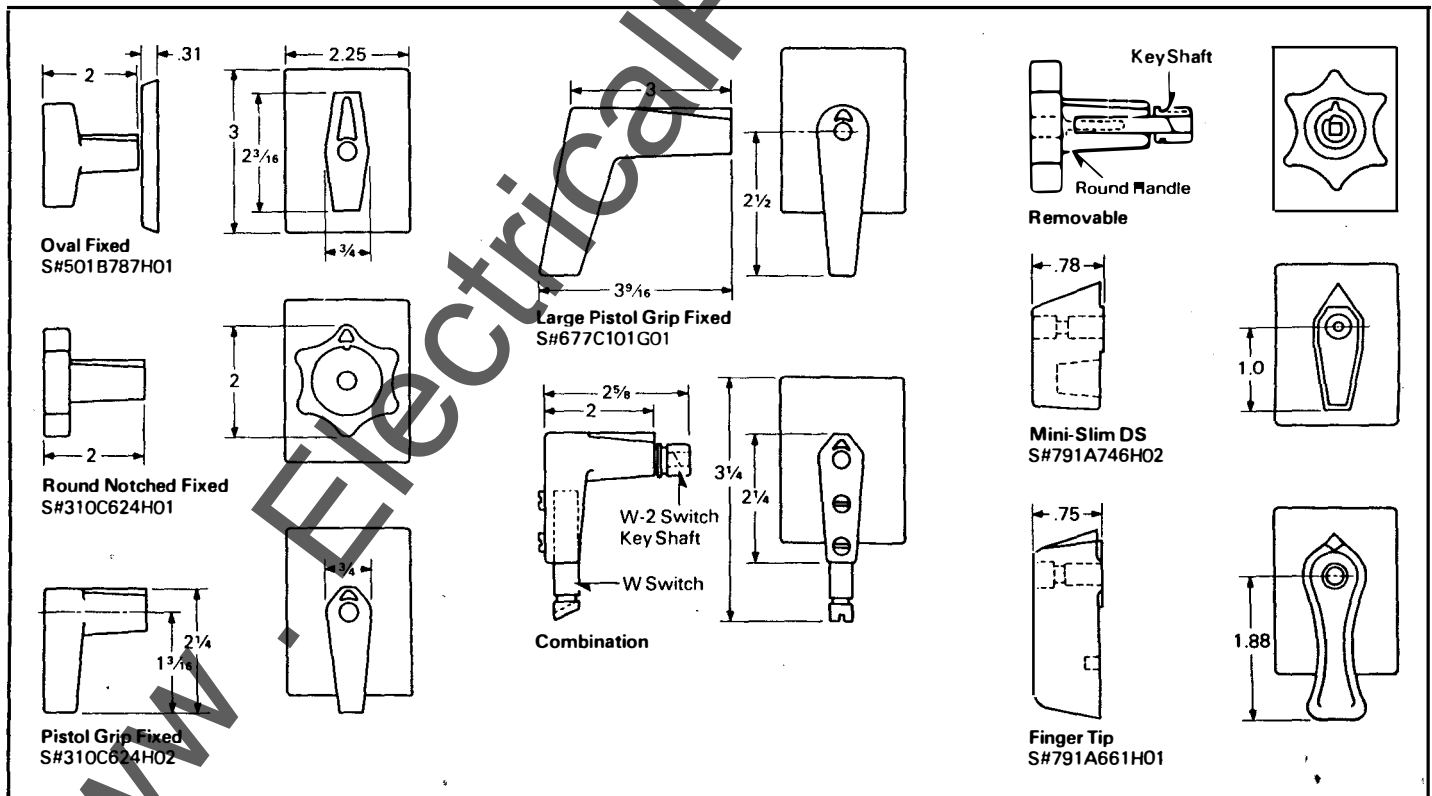
**Contact Flexibility**

Basic "you wire it" flexibility is available in the Type W-2 switch. While the internal contacting is standardized for each basic type of switch; such as ammeter, voltmeter, circuit breaker, etc., by using available insulated jumpers, connections between external switch terminals can be made to obtain the desired circuitry for a specific application. This minimizes the number of basic styled switches that otherwise would be required.

**Switch Dial**

The Type W-2 switch dial consists of two parts; i.e., a dial plate and a nameplate.

The standard control switch dial plate is die cast aluminum, with red and green target parts, where required, and serves as the base for mounting the nameplate. The nameplate is made of a white Cylolac ABS material on which is stamped in black the desired position markings.





**Handles**

Handles for the Type W-2 switch are made of a phenolic insulating material designed to afford a smooth, easy, and comfortable grip of pleasing appearance. Each handle has a recessed arrow molded into it as a visual aid in positioning.

The handles are made in six shapes: Oval, round, pistol grip, large pistol grip, finger tip and mini-slim DS.

They can be obtained in the fixed type or the removable key type. All handles are fastened to the shaft by a screw through the front of the handle.

There is also available a combination removable key type handle in the pistol grip shape that can be used to operate both the Type W-2 and the Type W switches designed for removable key operation.

Switches using mini-slim or finger tip handles require a shorter shaft extension than do the shank type handles. Therefore mini-slim and finger tip handles are not interchangeable with the other 4 shank type handles.

**Operation**

The Type W-2 switch is a rotary roller action switch. Rotation of the shaft causes the rotor rollers to roll from one set of stationary contacts to another. The number of roller contacts can vary from 1 to 6 depending on the number of rotary positions required for the switch application. Each roller contact, moving radially, is held in and guided by a slot in the rotor arm. The rollers are pushed outward by spring pressure. Between roller and spring there is an insulated spring seat to reduce friction and wear. On standard potential contacts, an insulated wheel is used on both ends of the roller contact which wheels roll inside the switch stator frame. This arrangement reduces the friction of the spring-loaded roller in riding up on the stationary contact and also results in an increased air gap and faster contact separation.

Overlapping contacts are obtained by increasing the diameter of the contact rollers of the shorting bar. At mid-position the roller spans the space between the stationary contacts. Such rollers provide a make-before-break contact in going from one position to an adjacent position.

The Type W-2 switch is available in both the maintained and the spring return types. Both types use a common housing that is 7/8" deep, located between the back surface of the dial plate and the frame-rotor unit. This feature permits easy conversion from one type to another with a minimum of parts, time and experience.

**Maintained Type:** On a switch of this type, the switch is held in each rotary position by a star wheel mechanism. The mechanism consists of a pointed notched, molded wheel rotating between two metal rollers mounted on spring loaded arms. This arrangement provides a positive snap action as the handle is turned.

**Momentary Type:** This type uses a rotor that is returned to its original position by a double coil wound spring. The spring offers minimum opposition to movement of the switch handle, but is sufficiently strong to operate the rotor for all required contacting.

For current circuits, there is available an assembly of normally closed contact between front and rear terminals at each position on a stage. The assembly consists of a shorting bar across the two terminals and held closed by spring pressure. Turning the switch handle causes a cam to push the shorting bar away from the two terminals. Operating simultaneously with this contact assembly, in a different stage, are regular rollers designed and arranged so that they make a parallel circuit just prior to opening of the normally closed contact. This arrangement permits overlapping transition in current metering of circuits.

On three-position switches, slip contacts are available. These contacts close when the switch operating handle is turned to the right position and remain closed after the operating handle has returned to the center position. The contacts open when the operating handle is turned to the left position and remain open upon return of the handle to the center position.

In addition to rotary motion, the W-2 switch can be provided with lateral movement (push-pull). Spring actuated roller contacts are mounted in a wafer housing fastened to the operating shaft by "E" rings. The wafer housing can only be moved by a push or pull movement. The roller contact spans two adjacent terminals on a band and it moves back and forth between two bands in a stage.

**Interrupting Ratings**

Voltage	Amperes			
	General Purpose	Pilot Duty 35% P.F. Normal	Inrush	2 Contacts in Series General Purpose
<b>Standard Contact</b>				
600 Volts Ac	8	2.4	12	20
240 Volts Ac	20	6	30	40
110 Volts Ac	30	10	60	60
250 Volts Dc	1.65	1.1	..	9.5
125 Volts Dc	5	2.2	..	20

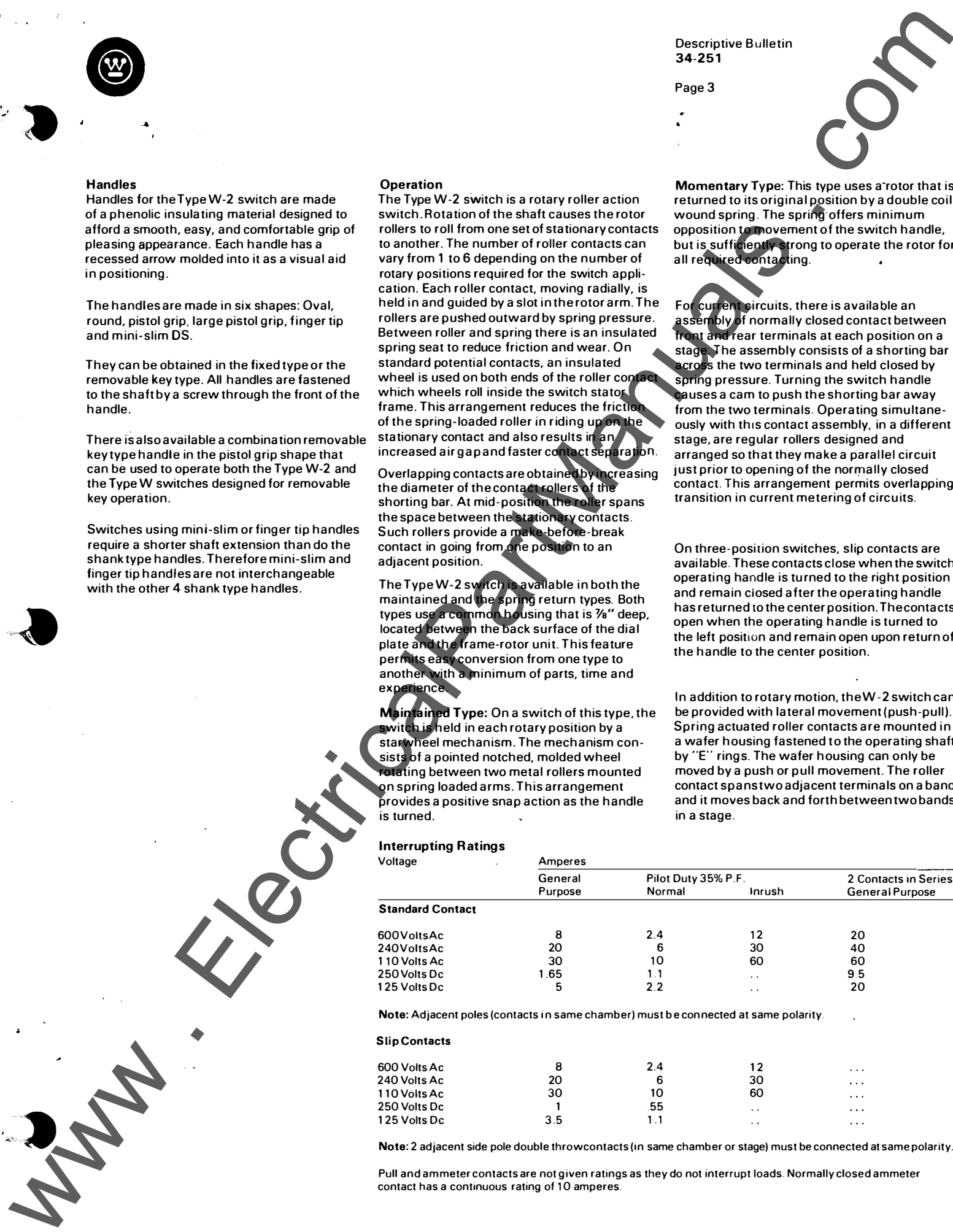
**Note:** Adjacent poles (contacts in same chamber) must be connected at same polarity.

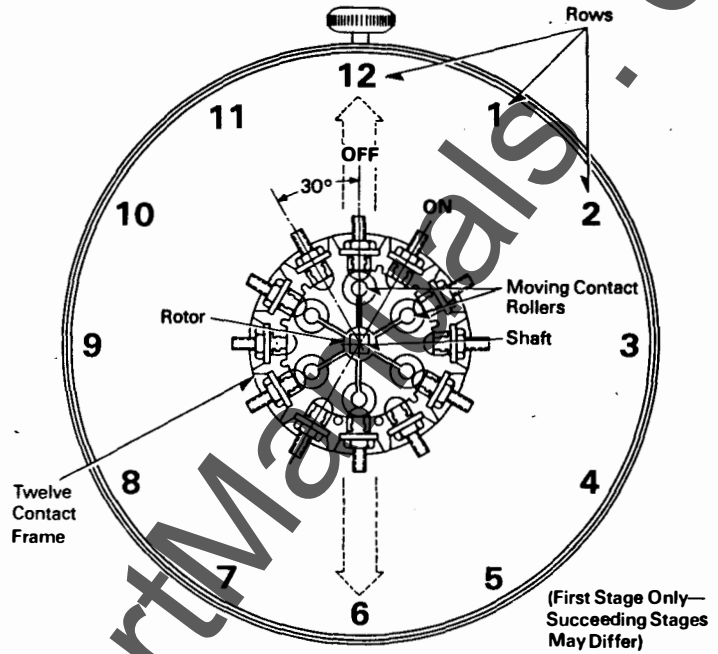
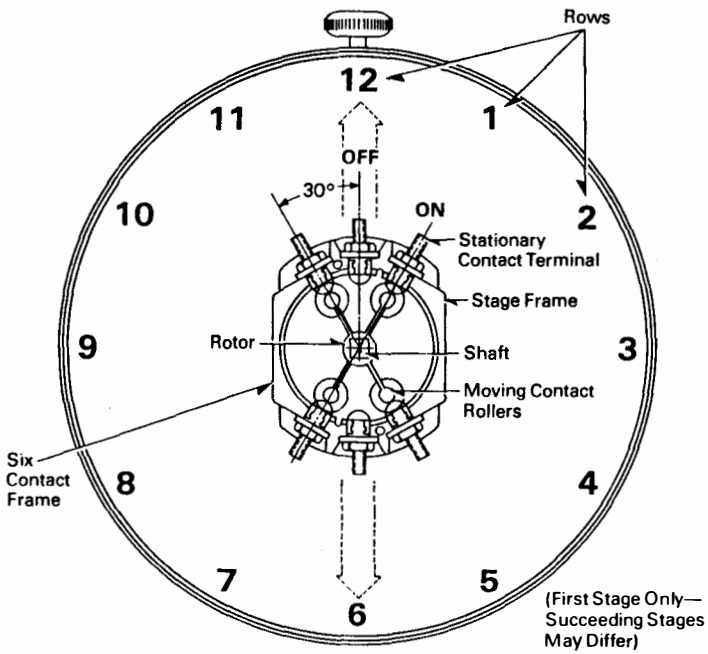
**Slip Contacts**

600 Volts Ac	8	2.4	12	...
240 Volts Ac	20	6	30	...
110 Volts Ac	30	10	60	...
250 Volts Dc	1	.55	..	...
125 Volts Dc	3.5	1.1	..	...

**Note:** 2 adjacent side pole double throw contacts (in same chamber or stage) must be connected at same polarity.

Pull and ammeter contacts are not given ratings as they do not interrupt loads. Normally closed ammeter contact has a continuous rating of 10 amperes.





**Contact Interpretation**

The contacts of the Type W-2 Switch are identified by the combination of Bands and Rows.

**Rows**

Viewing the switch from the handle end (front), it is noted the terminals are arranged in rows from front to back. The rows are set 30 degrees apart as is the face of a clock. On the six contact frame, the top three rows are identified as 11, 12 and 1 o'clock. The three rows at the bottom of the stage are 5, 6 and 7 o'clock. On the twelve contact frame, the rows are set as per each number on the face of a clock.

**Bands**

As the switch is viewed from the side, bands of terminals are readily seen around the outer perimeter of the stage frame. Such bands are lettered. The band nearest the handle end is band "A", the second band is band "B", etc. Bands "A" and "B" constitute stage one, bands "C" and "D" constitute stage two, etc.

The row numbers and band letters are then combined to form full terminal identification as shown on figure 14 above and in the contact tabulations shown in this bulletin.

**Contacts**

The stationary contact (terminal) is a solid one piece forging. The moving (roller) contact is a solid bar.

To complete a circuit the roller contact internally bridges the stationary terminals in adjacent bands in the same row, for example, bands A & B in row twelve (A12-B12) etc.

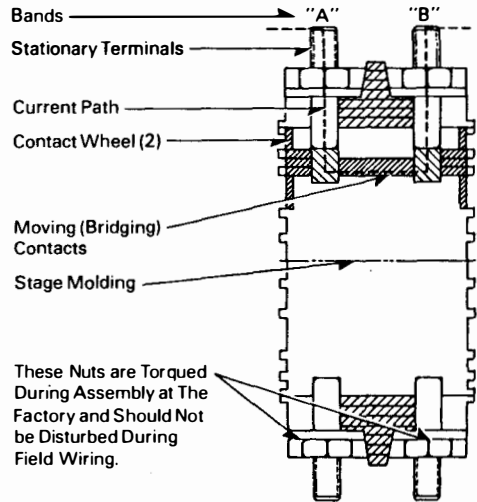
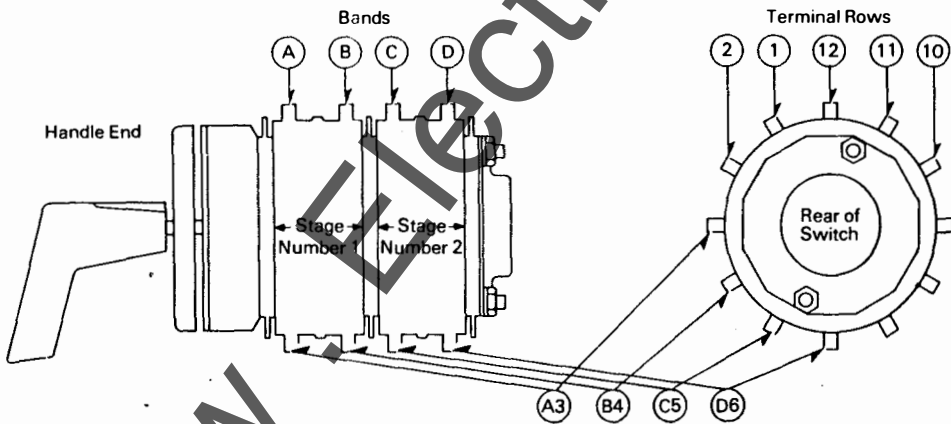
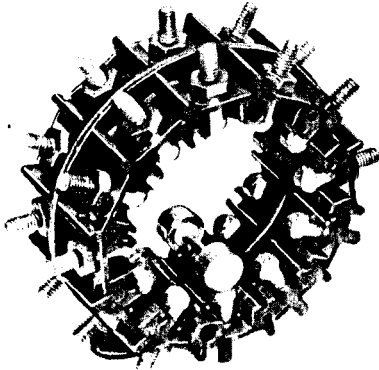


Figure 1: Methods of Identifying Contact Terminal Letter of Bands, Numbered Rows.

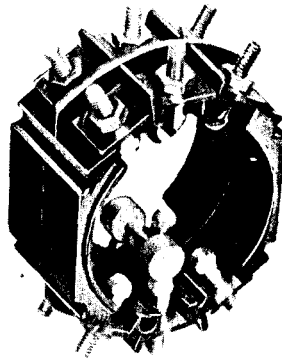
Each Type W-2 switch is shipped with hardware packet containing one nut for each switch terminal to facilitate field wiring.



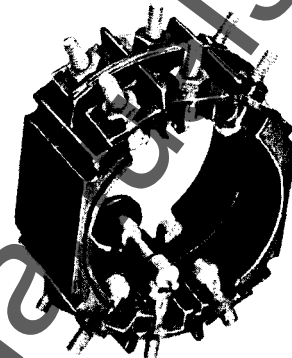
Stage Frame Construction



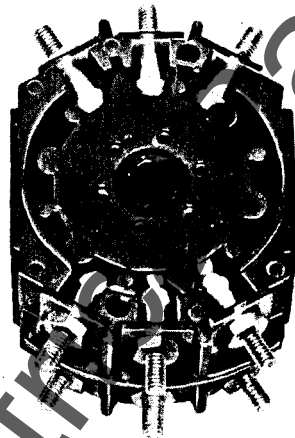
12 Contact Frame With Overlapping Contact Roller (Make Before Break)



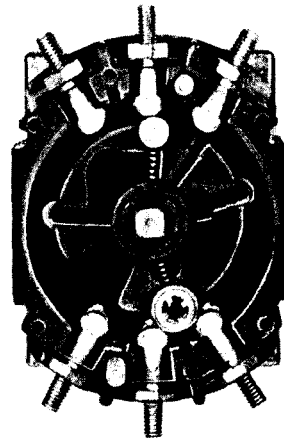
6 Contact Frame With Overlapping Contact Roller (Make Before Break)



6 Contact Frame With Standard Potential Contact Roller (Break Before Make)



6 Contact Frame With Push-Pull Rotor



6 Contact Frame With Slip Contact Rotor

www.ElectricalArtMaterials.com



**Rotor Construction**

Contacting of the Type W-2 Switch is derived from the varied assembly of fully standard parts. The stators (stage frames) are of the 6-contact and 12-contact designs per stage. The number of contacts per position and the number of required positions determine the rotor configuration. The stage frames remain unaltered, but the rotors are assembled to suit the application.

In the following is illustrated the contact tabulation derived from a particular rotor configuration. All illustrations are for a single stage. The Type W-2 Switch can be made up of several duplicate stages or a combination of varied compatible stages.

The following illustrations are intended to permit a fuller understanding of the internal construction and flexibility of the Type W-2 Switch.

**Rotor Configurations Used With The Six Contact Frame**

**Rotor Configuration      Resulting Contact Operation      Position Available      Function**

CONTACT	POSITION		
	1	0	2
A11-B11	X		
A12-B12		X	
A1-B1			X
A5-B5	X		
A6-B6		X	
A7-B7			X

Two Contacts Closed in Each of Three Positions

CONTACT	POSITION			
	1	2	3	4
A11-B11	X			
A12-B12		X		
A1-B1			X	
A5-B5		X	X	
A6-B6	X			
A7-B7				X

One Contact Closed in Each of Six Positions

CONTACT	POSITION	
	1	2
A11-B11	X	
A12-B12		X
A1-B1		X
A5-B5	X	
A6-B6	X	
A7-B7		X

Two Contacts Closed in Twelve O'clock Position—Four Contacts Closed in One O'clock Position

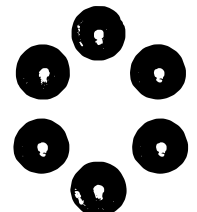
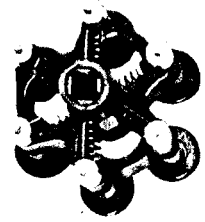
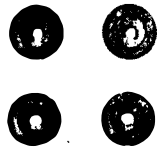
CONTACT	POSITION	
	1	2
A11-B11	X	
A12-B12		X
A1-B1	X	
A5-B5	X	
A6-B6	X	
A7-B7	X	

Four Contacts Closed in Twelve O'clock Position—Two Contacts Closed in One O'clock Position

**Slip Rotor Used With The Six Contact Frame**

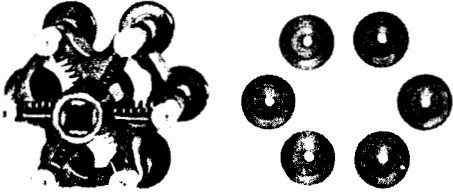
CONTACT	POSITION			
	1	2	3	4
A11-B11	X			
A12-B12		X	X	
A1-B1			X	X
A5-A6	X	X		
A6-A7	X	X	X	X
B5-B6	X	X	X	X
B6-B7			X	X

**Slip Rotor:**  
Top Portion—One Contact Closed in Each of Three Positions. Lower Portion—Two Contacts Closed in Each of Two Positions.



www.ElectricalPartManuals.com

Rotor Configurations Used With The Twelve Contact Frame



Rotor Configuration      Resulting Contact Operation      Position Available      Function

CONTACT	1	2	3	4	5	6	7	8	9	10	11
A12-B12	X										
A1-B1		X									
A2-B2			X								
A3-B3				X							
A4-B4					X						
A5-B5						X					
A6-B6							X				
A7-B7								X			
A8-B8									X		
A9-B9										X	
A10-B10											X
A11-B11											

One Contact Closed in Each of Twelve Positions

CONTACT	1	2	3	4	5	6	7	8	9	10	11	12
A10-B10										X		
A11-B11											X	
A12-B12												X
A1-B1		X										
A2-B2			X									
A3-B3				X								
A4-B4					X							
A5-B5						X						
A6-B6							X					
A7-B7								X				
A8-B8									X			
A9-B9										X		

Two Contacts Closed in Each of Six Positions

CONTACT	1	2	3	4	5	6	7	8	9	10	11	12
A11-B11										X		
A12-B12											X	
A1-B1												X
A2-B2												
A3-B3												
A4-B4												
A5-B5												
A6-B6												
A7-B7												
A8-B8												
A9-B9												
A10-B10												

Three Contacts Closed in Each of Four Positions

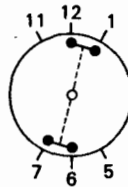
CONTACT	1	2	3	4	5	6	7	8	9	10	11	12
A11-B11											X	
A12-B12												X
A1-B1												
A2-B2												
A3-B3												
A4-B4												
A5-B5												
A6-B6												
A7-B7												
A8-B8												
A9-B9												
A10-B10												

Four Contacts Closed in Each of Three Positions

CONTACT	1	2	3	4	5	6	7	8	9	10	11	12
A11-B11											X	
A12-B12												X
A1-B1												
A2-B2												
A3-B3												
A4-B4												
A5-B5												
A6-B6												
A7-B7												
A8-B8												
A9-B9												
A10-B10												

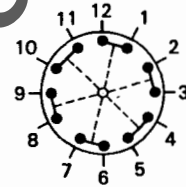
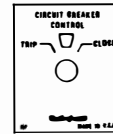
Six Contacts Closed in Each of Two Positions

Push-Pull Rotors



Six Contact Stage With Pull Rotor—Two Pull to Break and Two Pull Make Contacts

C12-C1	X				
D12-D1	X	X	X	X	X
C6-C7	X				
D6-D7	X	X	X	X	X



Twelve Contact Stage With Pull Rotor—Six Pull to Break and Six Pull to Make Contacts

CONTACT	POSITION					
	IN	OUT	IN	OUT	IN	OUT
C12-C1	X	X	X	X	X	X
D12-D1	X	X	X	X	X	X
C2-C3	X	X	X	X	X	X
D2-D3	X	X	X	X	X	X
C4-C5	X	X	X	X	X	X
D4-D5	X	X	X	X	X	X
C6-C7	X	X	X	X	X	X
D6-D7	X	X	X	X	X	X
C8-C9	X	X	X	X	X	X
D8-D9	X	X	X	X	X	X
C10-C11	X	X	X	X	X	X
D10-D11	X	X	X	X	X	X

Type W-2 Switch Materials

- |                       |                                  |
|-----------------------|----------------------------------|
| Handle                | Moldarta, General Purpose        |
| Nameplate             | Cyclocac, ABS Molded Composition |
| Dial Plate            | Aluminum Die Cast                |
| Housing               | Aluminum Die Cast                |
| Stage Frame           | Glass Polyester                  |
| Rotor                 | Glass Polyester                  |
| Stationary Contact    | Silicon Bronze, Silver Plated    |
| Roller Contact        | Silicon Bronze, Silver Plated    |
| Springs               | Stainless Steel                  |
| Locking Spacer Window | Polysulfone                      |
| Starwheel             | Nylon                            |
| Pull Cover and Guide  | Polycarbonate                    |





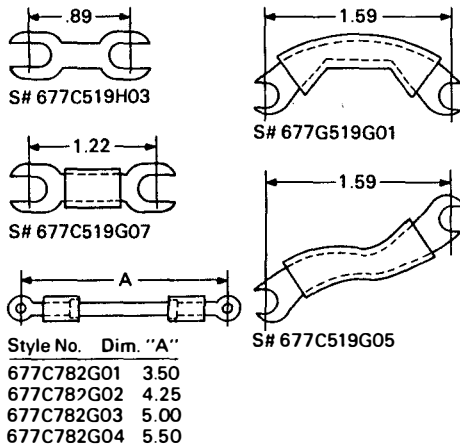
COM

### External Connectors

Additional flexibility of the type W-2 switch is gained with the use of external connectors (jumpers) applied to the switch terminals.

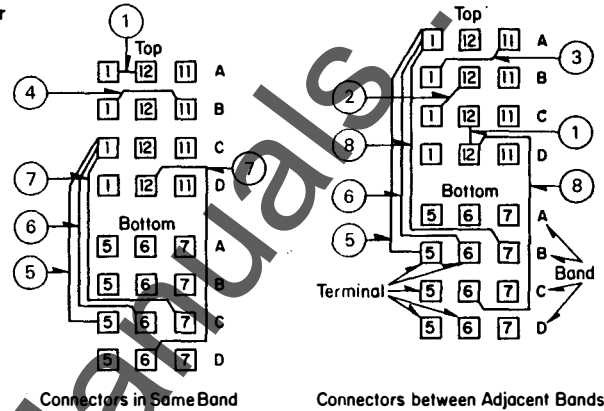
Type W-2 switches ordered for specific applications where the circuitry requires jumpers, the necessary jumpers are applied at the factory.

When basic switches are used and when field changes of existing switches becomes necessary, external connectors (jumpers) may be obtained from the factory. The following charts will aid in identifying the external connectors. These charts identify the terminals to be connected and the connectors by number to accomplish such connection.



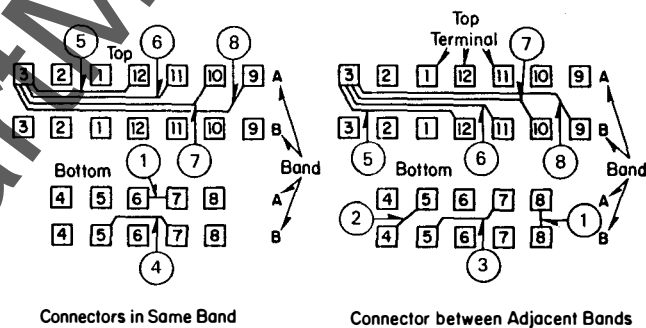
### 6-Contact Stage Connector

Connector	Style No.
1	677C519H08
2	677C519G07
3	677C519G05
4	677C519G01
5	677C782G01
6	677C782G02
7	677C782G03
8	677C782G04



### 12-Contact Stage Connector

Connector	Style No.
1	677C519H08
2	677C519G07
3	677C519G05
4	677C519G01
5	677C782G01
6	677C782G02
7	677C782G03
8	677C782G04



### How to Order Stamped Dial Nameplates

- NP 502A054H01 (Fixed Handle) Fig. 1
- NP 502A054H03 (Removable Key) Fig. 2
- NP 502A054H02 (Fixed Handle with Target) Fig. 2
- NP 502A054H04 (Fixed Handle) Fig. 3
- NP 502A054H05 (Removable Key) Fig. 3
- NP 310C619H09 (Fixed Handle) Fig. 4

Select figure number meeting nameplate requirement. Specify the required blank nameplate style as given for the selected figure number and specify the desired markings at location numbers shown on the figures.  
 Example: Select Figure 2—Order NP502A054H02 Stamp 11 = Trip, 1 = Close, 15 = Circuit Breaker, 16 = Control.

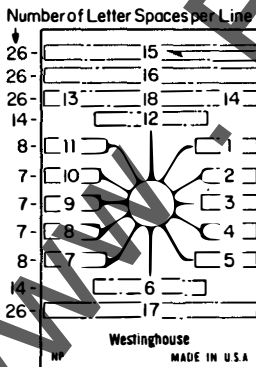


Figure 1

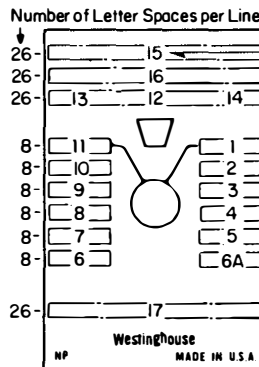


Figure 2

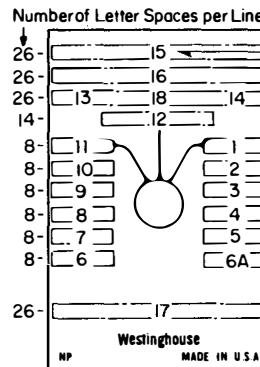


Figure 3

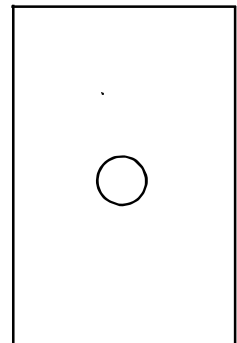
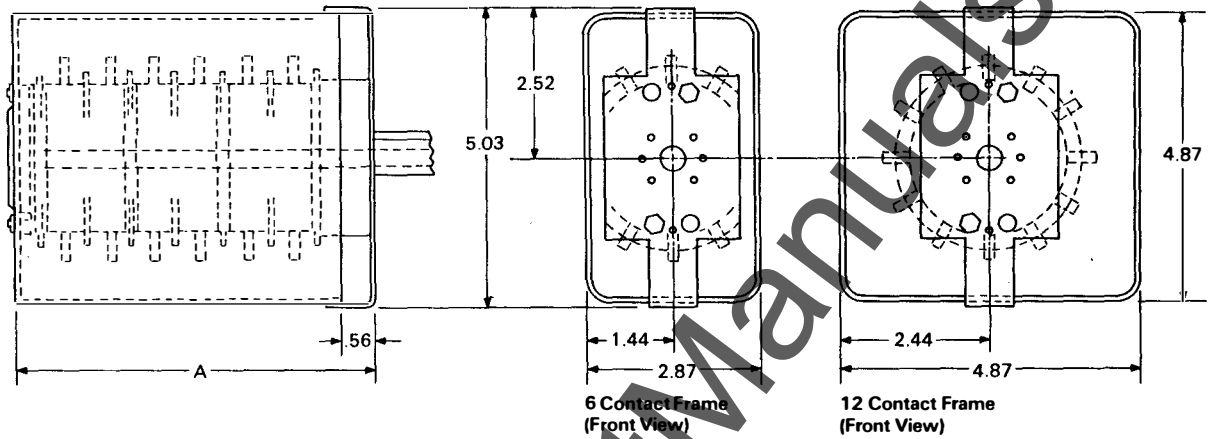


Figure 4 (Totally Blank)

**Protective Covers, Type W-2 Switch**

Designed to totally enclose all contact terminals. Made of high density Polyethylene. Provides no conduit connection. Wiring enters through opening between panel and front opening of enclosure. Secured in position by switch tie bolts. Switch identification remains visible.

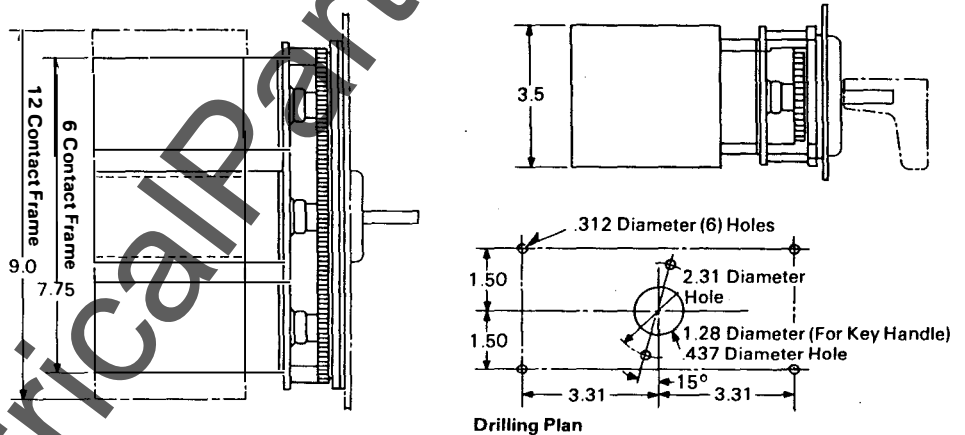
Switch Stage	A
1	2.88
2	4.38
3	5.88
4	7.38
5	8.88
6	10.38
7	11.88
8	13.38
9	14.88
10	16.38



**Gear Assemblies Type W-2 Switches**

A gear assembly is available which will accept either two units of the twelve contact frame or three units of the six contact frame; all units being operated from a common handle.

Gearing is recommended where a great number of contacts are required to be operated simultaneously and depth behind the panel is limited.

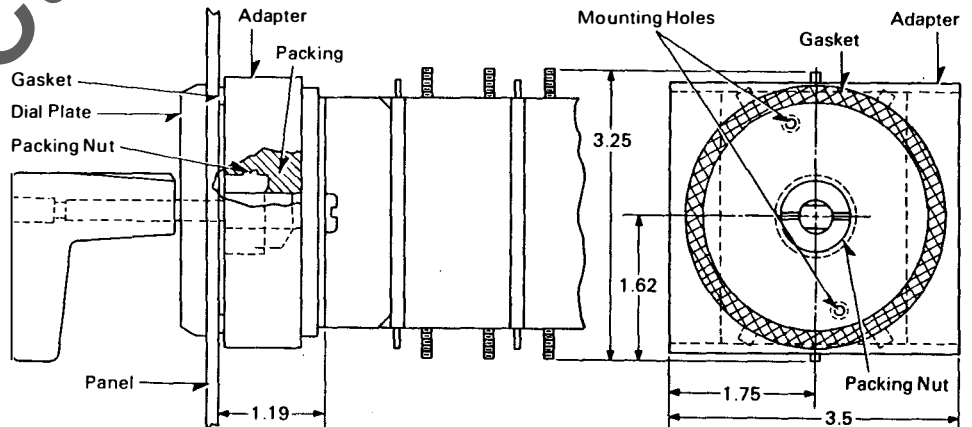


**Packing Gland Water-Tight**

This packing gland is designed to prevent water or other liquids from entering the switch from front of the panel.

An impregnated asbestos bushing and packing nut is used to seal around the switch shaft—a neoprene gasket is used to form a seal between the switch and panel.

This device is intended to be used where the panel is exposed to weather and where the structure itself is weatherproof.



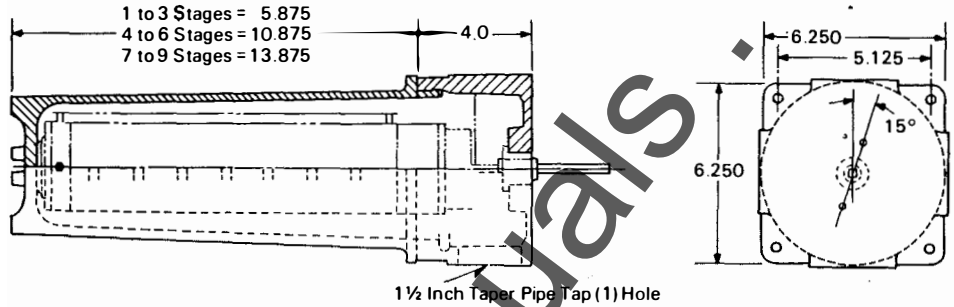


www.ElectricalPartManuals.com

**Enclosure**  
**Weatherproof—Watertight—Dusttight**

Available is an explosion-proof enclosure of aluminum die cast material which will accept the Type W-2 switch up to nine stages of either the twelve contact frame or the six contact frame. With minor modification this enclosure is suitable for weather-proof, water and oil tight applications.

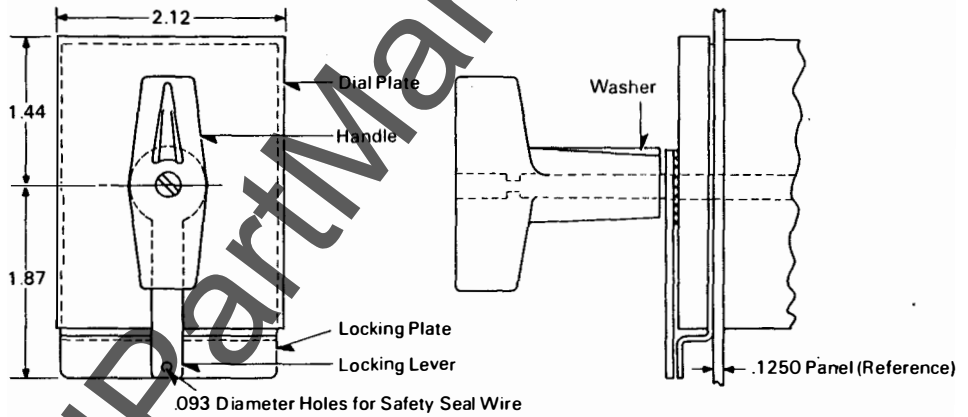
As standard, one hole is provided for conduit and is tapped for 1-inch tapered pipe.



**Locking Device**  
**Safety Wire**

A device to permit a Type W-2 switch to be locked in the 12 o'clock position by means of a wire and lead seal. This device may be added to Type W-2 switches in the field without modification and can be ordered with switches from the factory.

This device provides an inexpensive means to prevent switch operation by unauthorized personnel.

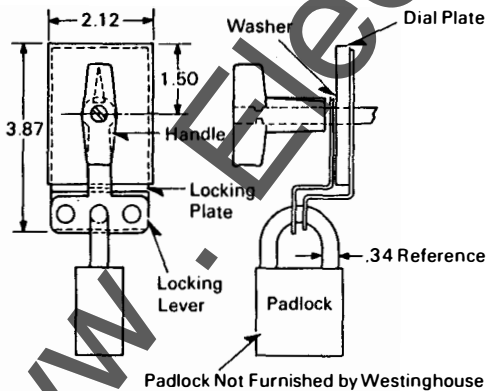


**Padlocking Device—Type W-2 Switches**

Designed with new Federal safety standards in mind. Will accept up to three (3) padlocks.

Applicable to switches existing in the field without modification. Style numbers will be applied to new switches ordered on the factory when including this device.

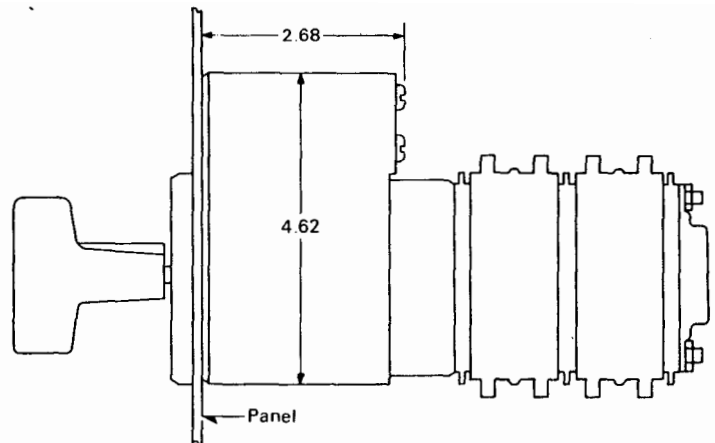
The locking plate mounts between switch dial plate and panel. The locking lever mounts on switch shaft and travels with the shaft as it rotates.



**Solenoid Locking Device**

For the Type W-2 switch a solenoid locking device is available. Solenoids can be supplied suitable for 115 volts or 230 volts ac.

The switch unit is locked against rotation when the solenoid is energized. The switch handle can be rotated only when the solenoid is de-energized.



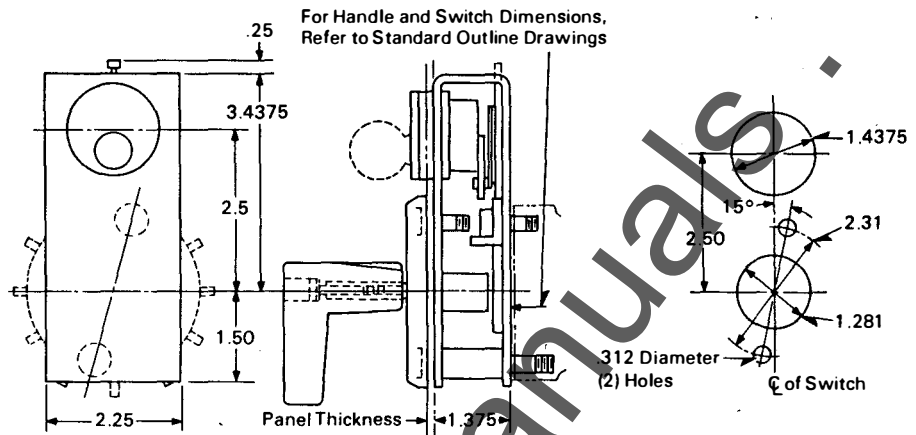
**Tumbler Pin Key Locks**

The type W-2 switch can be supplied with either 1, 2 or 3 locks. In the case of 1 lock, it can be mounted either at the top or to the left or to the right of the switch handle. For one lock top mounting is considered the standard. When two locks are required, the normal mounting is one lock to the left and one lock to the right of the switch handle.

Where several switches are supplied with locks, they may be keyed alike or keyed differently as required.

When a single switch is furnished with more than one lock, such locks may be keyed alike or keyed differently as the application may require.

The above considers that the switch only is to be locked and in which cases we would supply Yale lock cylinders from factory stock. When ordering, specify in what position(s) the switch is to be locked. Also state if the key is to be removable in the locked position.



**Drilling Plan (Key Lock)**

**Key Interlocking**

In situations where key locking is required, the Yale lock cylinder would be supplied. However, when key interlocking with other equipment is required, the locks would be specially ordered on Gould Company separately because of the key co-ordination required.

When ordering Type W-2 switches with key interlocking, i.e., switches to be furnished with locks having keys which are to be used in locks applied to other apparatus such as Circuit Breakers, Disconnect Switches, etc., we need to know the following if we are to order lock:

- 1) Ultimate user customer.
- 2) Customers purchase order number on which lock(s) for associated apparatus was ordered, (or)
- 3) Key number for existing lock, if known.
- 4) Station or specific location where lock to be supplied will be used.
- 5) Key marking desired.

Key Interlocking can be furnished on type W-2 switches utilizing either 1, 2 or 3 locks with keying as required.

The drilling plan shown is a composite showing drilling for three (3) locks. If less than three locks are used, apply the appropriate portion of the drilling plan.

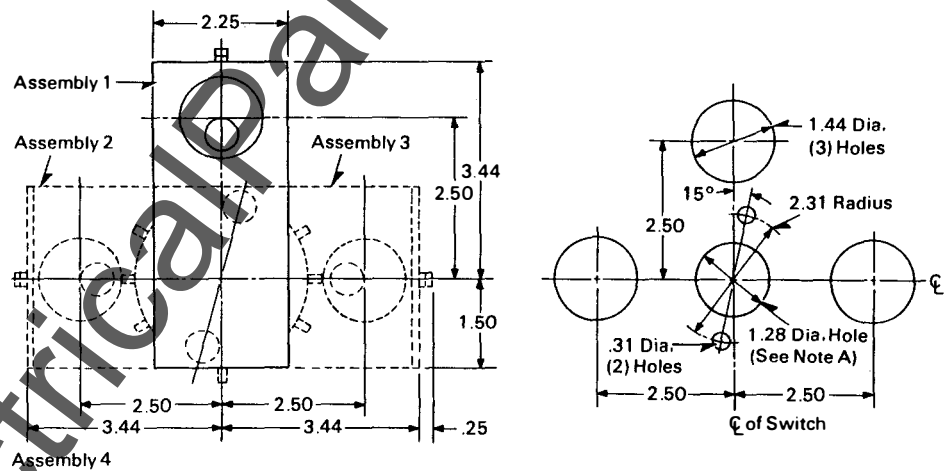
For further clarification and specific reference:

Assembly #1 = one lock mounted above handle.

Assembly #2 = one lock mounted to left of handle.

Assembly #3 = one lock mounted to right of handle.

Assembly #4 = three locks—including assemblies 1, 2, and 3.



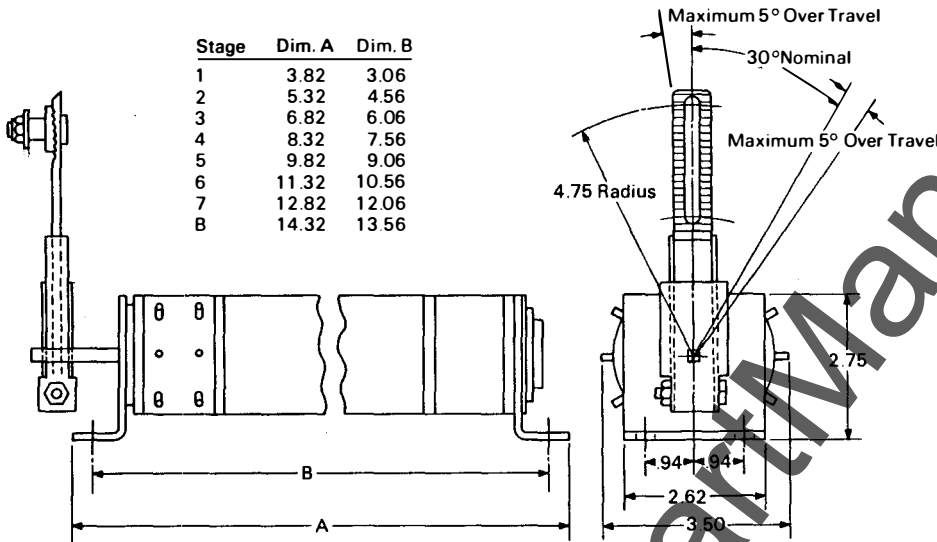
**Drilling Plan (Key Interlocking)**



**Auxiliary Switch, Type W-2**

The type W-2 auxiliary switch is designed around the six contact stage frame and rotor of the type W-2 instrument and control switch. This switch is a two position device and can be supplied with an overtravel lever (Figure #4) or without lever.

Stage	Dim. A	Dim. B
1	3.82	3.06
2	5.32	4.56
3	6.82	6.06
4	8.32	7.56
5	9.82	9.06
6	11.32	10.56
7	12.82	12.06
8	14.32	13.56



**Switch Position Tabulations.**

CONTACT	POSITION	
	12	1
A11-B11	X	
A12-B12		X
A1-B1	X	
A5-B5	X	
A6-B6		X
A7-B7	X	

Figure 1

CONTACT	POSITION	
	12	1
A11-B11		X
A12-B12	X	
A1-B1		X
A5-B5		X
A6-B6	X	
A7-B7		X

Figure 2

Contacting of one stage may take the form of either Figure #1 or Figure #2.

For multiple stages contacting may take the form of Figure #1 or Figure #2 or a combination of both as shown in Figure #3.

CONTACT	POSITION	
	12	1
A11-B11		X
A12-B12	X	
A1-B1		X
A5-B5		X
A6-B6	X	
A7-B7		X
C11-D11	X	
C12-D12		X
C1-D1	X	
C5-D5	X	
C6-D6		X
C7-D7	X	

Figure 3

www.ElectricalPal.com

**Outline Dimensions**  
Six and Twelve Contact Frame Pull Out and Non-Pull Out

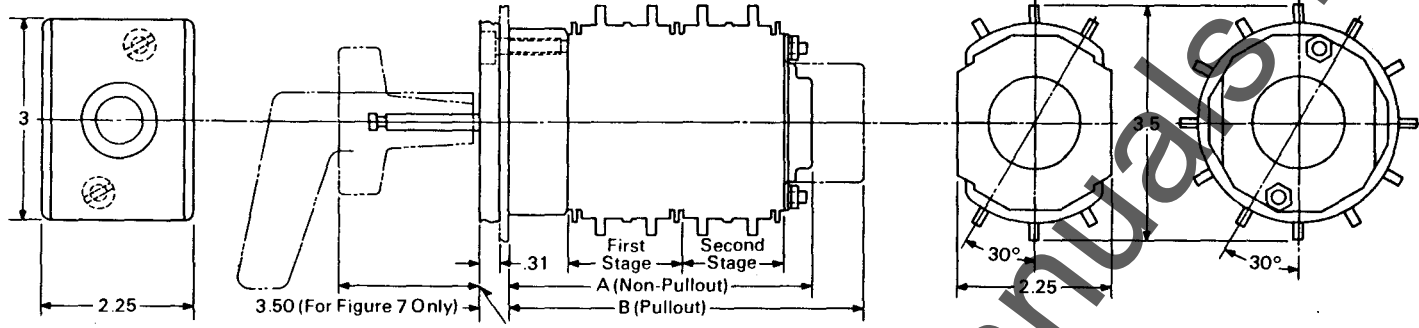


Figure 1: Typical 2 Stage Switch Shown

2.06 (For Figures 4, 5 and 6)  
84 (For Figure 8), .81 (For Figure 9)

Figure 2

Figure 3

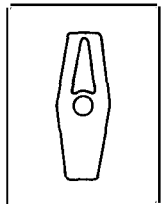


Figure 4: Oval

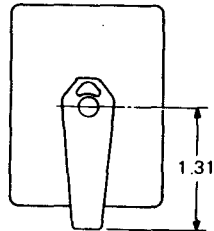


Figure 5: Pistol Grip

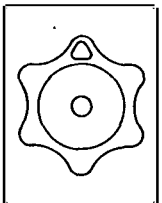


Figure 6: Round Notched

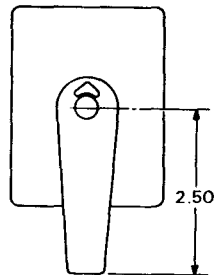


Figure 7: Heavy Duty Pistol Grip

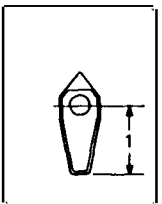


Figure 8: Mini-Slimline "DS"

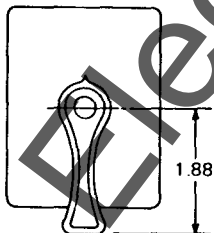
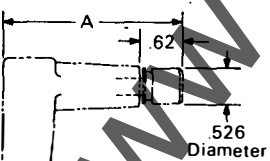
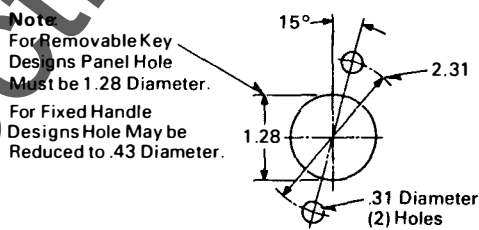


Figure 9: Removable Key

Non-Pull Out				With Pull Out				Description	Line No.	Panel THK
Line No.	No. of Stages	A	Description	Line No.	No. of Stages	B				
1	1	2.97	STD.	31	1	3.81	STD.	51	.125	
2	2	4.47	STD.	32	2	5.31	STD.		to	
3	3	5.97	STD.	33	3	6.81	STD.		.250	
4	4	7.47	STD.	34	4	8.31	STD.	52		
5	5	8.97	STD.	35	5	9.81	STD.	53		
6	6	10.47	STD.	36	6	11.31	STD.	54	.38	
7	7	11.97	STD.	37	7	12.81	STD.	55	.50	
8	8	13.47	STD.	38	8	14.31	STD.	56	1.00	
9	9	14.97	STD.	39	9	15.81	STD.	57	1.25	
10	10	16.47	STD.	40	10	17.31	STD.	58	1.50	
21	1	3.85	2-Mech HSG.	41	1	4.69	2-Mech HSG.	59	2.00	
22	2	5.35	2-Mech HSG.	42	2	6.19	2-Mech HSG.	60	2.25	
23	3	6.85	2-Mech HSG.	43	3	7.69	2-Mech HSG.			
24	4	8.35	2-Mech HSG.	44	4	9.19	2-Mech HSG.			
25	5	9.85	2-Mech HSG.	45	5	10.69	2-Mech HSG.			
26	6	11.35	2-Mech HSG.	46	6	12.19	2-Mech HSG.			
27	7	12.85	2-Mech HSG.	47	7	13.69	2-Mech HSG.			
28	8	14.35	2-Mech HSG.	48	8	15.19	2-Mech HSG.			
29	9	15.85	2-Mech HSG.	49	9	16.69	2-Mech HSG.			
30	10	17.35	2-Mech HSG.	50	10	18.19	2-Mech HSG.			

**Drilling Plan**



**Removable Key Dimension**

Figure A

1	2.62
2	2.62
3	2.62
4	4.12
5	1.40
6	1.37

Figure 10



**Typical Arrangement of Type W-2 Switch With Type EZC Indicating Lamps**

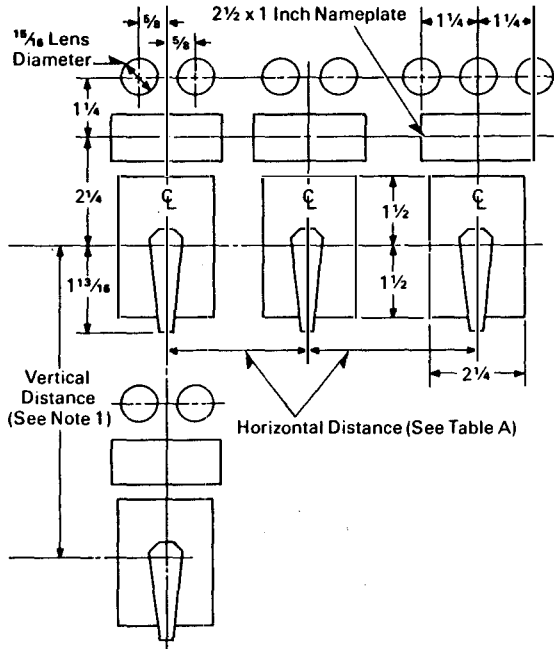
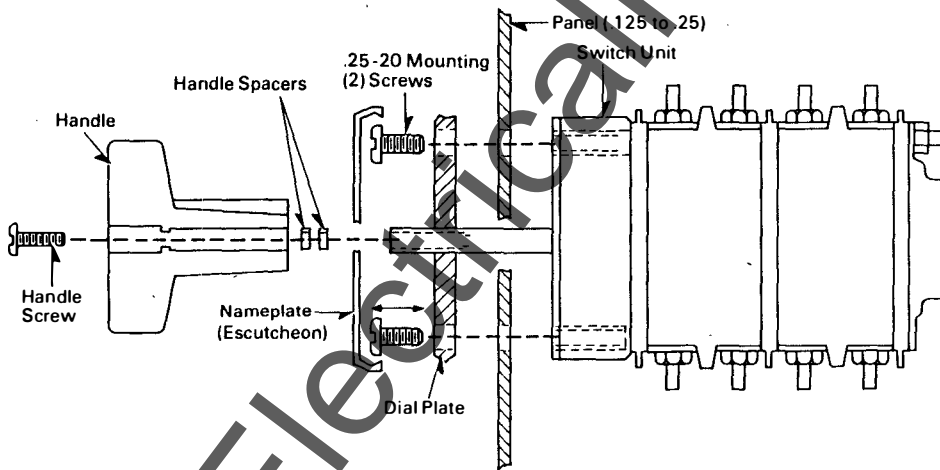


Table A

Switch Contact Frame Size	Number of Lamps Above Each Switch		Horizontal Distance
	Sw. 1	Sw. 2	
6	0	0	3
12	0	0	5 1/2
6	2	2	3
12	2	2	5 1/2
6	3	3	4 1/4
12	3	3	5 1/2
6	2	3	3-5 1/8
12	2	3	5 1/2

**Note 1**  
Vertical Distance Between Switches:  
With Lamps and Nameplate-7 Inches  
Without Lamps/With Nameplate-5 1/2 Inches  
Without Lamps or Nameplate-5 1/2 Inches

**Typical Mounting**



www.ElectricalPartManuals.com







**Standard Application Switches, Style Numbers, Continued**

**Circuit Breaker Control**

Style Number	Handle Shape	Handle <sup>①</sup> Operation	Figure <sup>②</sup> Number
505A713G01	Pistol	MO	63
505A713G03	Oval	MO	63
505A713G02	Pistol	MO	64
505A714G01	Pistol	MO	65
505A714G02	Oval	MO	65
505A718G01	Pistol	MO	66
505A718G15	Pistol	MO	67
505A717G01	Pistol	MO	68
505A717G03	Oval	MO	68
505A720G01	Pistol	MO	69
505A720G03	Oval	MO	69
508A244G01	Pistol	MO	70
508A244G02	Oval	MO	70
508A262G01	Pistol	MO	71
508A262G03	Oval	MO	71
508A264G01	Oval	MO	72
508A264G02	Pistol	MO	72
508A281G02	Pistol	MO	73
508A284G01	Pistol	MO	74
505A738G07	Pistol	MO	75
802A231G01	Pistol	MO	76
508A207G02	Pistol	MO	77
508A218G07	Pistol	MO	78
508A229G01	Pistol	MO	79
802A469G01	Pistol	MO	80
508A480G01	Pistol	MO	81
508A480G08	Pistol	MO	82
508A255G03	Pistol	MO	83

① All circuit breaker control switches listed are momentary operation, i.e., spring return to neutral.

② Figures 63 to 74 include a "Pull-to-Lock" or "Pull-Lamp Cutout" feature. Figures 75 to 83 do not include a "Pull-out" feature.

**Temperature Switches**

All Type W-2 Temperature Switches Furnished by Westinghouse Have Gold Plated Contacts.

Number of Thermocouples	Style Number	Handle	Handle Shape	Figure Number
-------------------------	--------------	--------	--------------	---------------

**Approximate Lead Compensation**

Two	505A710G03	Fixed	Round	84
Three	505A710G06	Fixed	Round	85
Four	505A710G01	Fixed	Round	86
	663A452G01	Key	Round	87
		505A765G03	Round	
Five	800A279G01	Key	Round	88
		505A765G03	Round	
Six	663A488G02	Fixed	Round	89
	800A451G01	Key	Round	90
		505A765	Round	
Eight	663A453G03	Key	Round	91
		505A765	Round	
Ten	663A488G01	Fixed	Round	92
	663A453G01	Key	Round	93
		505A765G03	Round	

**Accurate Lead Compensation**

One	781A254G01	Fixed	Round	94
Four	505A709G01	Fixed	Round	95
	505A711G01	Key	Round	96
		505A711G03	Round	
Six	661A210G06	Fixed	Round	97
	781A489G01	Key	Round	98
		505A765G03	Round	
Seven	781A472G01	Fixed	Round	99
Ten	661A210G01	Fixed	Round	100
	663A454G01	Key	Round	101
		505A711G03	Round	

**OFF-ON Switches and Selector Switches**

Style Number	Handle Operation	Figure Number
505A706G01	MA	102
505A706G02	MA	102
505A706G03	MA	102
505A723G01	MO	102
505A723G02	MO	102
505A723G03	MO	102
505A702L03	MA	103
505A733G01	MA	104
505A745G01	MA	105
505A722G01	MA	106
505A725G06	MO	106
505A722G02	MA	106
505A722G03	MA	106
505A725G01	MO	106
505A725G11	MO	106
505A781G03	MA	107
505A782G01	MO	107

**General Application Switches**

Style Number	Application	Handle Operation	Figure Number
505A706G55	1 or 2 Pole-2 Throw	MA	108
505A733G17	1 Pole-4 Throw	MA	109
505A733G18	1 Pole-5 Throw	MA	110
505A745G17	1 Pole-7 Throw	MA	111
505A745G18	1 Pole-8 Throw	MA	112
505A745G19	1 Pole-10 Throw	MA	113
505A702L02	1 or 2 Pole with OFF	MA	114
505A703G51	2 Pole-2 Throw	MO	114
508A423G16	2 Pole-8 Throw	MA	115
508A423G17	2 Pole-12 Throw	MA	116
505A712G92	4 Pole-2 Throw	MA	117
505A715G32	4 Pole-2 Throw	MO	117
505A726G14	6 Pole-2 Throw	MA	118
505A727G15	6 Pole-2 Throw	MO	118

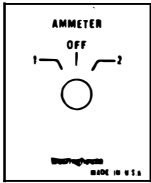
WWW

www.Manuals.com

**Position Tabulations**

All Wiring Diagrams Contained in This Bulletin are to be Considered as "TYPICAL."

1

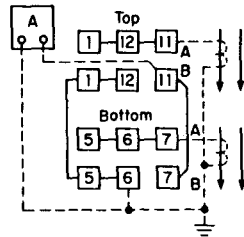


**Ammeter**

**2 Phase**

Style No. 505A700G01  
 Handle: Round Fixed  
 Contacts: Maintained  
 Stages: 2, Six Contact Frame  
 Mounting: 1/8-1/4  
 Target: No

CONTACT	POSITION			
	1	2	OFF	2
A11-B11	X	X		
A12-B12	X	X	X	X
A1-B1			X	X
A5-B5	X	X		
A6-B6	X	X	X	X
A7-B7			X	X



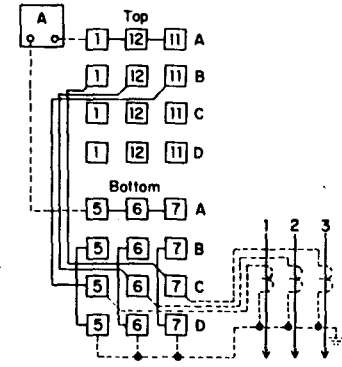
2A

**Ammeter**

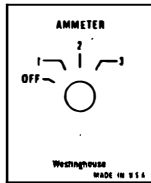
**3 Phase-3 CT's**

Style No. 505A701G01  
 Handle: Round Fixed  
 Contacts: Maintained  
 Stages: 2, Six Contact Frame  
 Mounting: 1/8-1/4  
 Target: No

(R) Switch: S#661A208G01  
 Removable Key Handle: S#661A208G03  
 Key Removable in OFF Position Only  
 S=30°



2



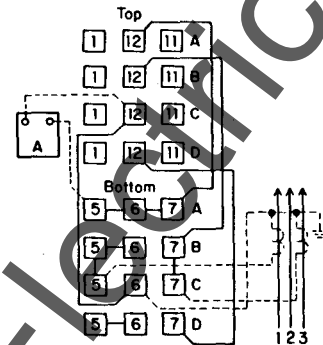
**Ammeter**

**3 Phase-2 CT's**

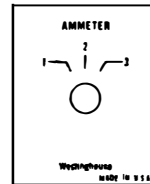
Style No. 505A701G02  
 Handle: Round Fixed  
 Contacts: Maintained  
 Stages: 2, Six Contact Frame  
 Mounting: 1/8-1/4  
 Target: No

CONTACT	POSITION				
	0	1	2	3	4
A11-B11	X	X	X		
A12-B12		X	X	X	X
A1-B1			X	X	
A5-B5	X	X	X		
A6-B6	X	X	X	X	X
A7-B7			X	X	
C11-D11	X	X	X	X	X
C12-D12	X	X	X	X	X
C1-D1	X	X	X	X	X
C5-D5	X	X	X	X	X
C6-D6	X	X	X	X	X
C7-D7	X	X	X	X	X

(R) Switch: S#3669A41G01  
 Removable Key Handle: S#787A989G02  
 Key Removable in OFF Position Only  
 S=240°



3

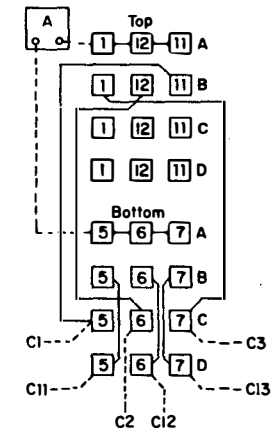


**Ammeter**

**3 Phase-3 CT's**

Style No. 505A701G05  
 Handle: Round Fixed  
 Contacts: Maintained  
 Stages: 2, Six Contact Frame  
 Mounting: 1/8-1/4  
 Target: No

CONTACT	POSITION			
	1	2	3	4
A11-B11	X	X		
A12-B12		X	X	X
A1-B1			X	X
A5-B5	X	X		
A6-B6		X	X	X
A7-B7			X	X
C11-D11	X	X	X	X
C12-D12	X	X	X	X
C1-D1	X	X	X	X
C5-D5	X	X	X	X
C6-D6	X	X	X	X
C7-D7	X	X	X	X

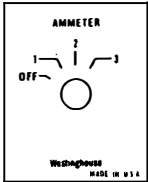


Notes:  
 "S" Angle Refers to Key Bearing Setting for Switches With Removable Key Handles.  
 "R" = Removable Key Switch.



Position Tabulations, Continued

4

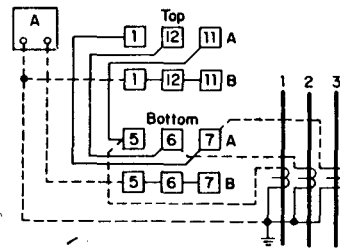


**Ammeter**

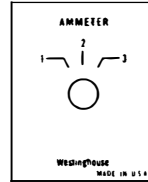
3 Phase-3 CT's (End of Circuit)  
Style No. 787A976G01  
Handle: Round Fixed  
Contacts: Maintained  
Stages: 1, Six Contact Frame  
Mounting: 1/8-1/4  
Target: No

(R) Switch: S#800A426G01  
Removable Key Handle: S#508A298G02  
Key Removable in OFF Position Only  
S=0°

CONTACT	POSITION					
	OFF	1	2	3	4	5
A11-B11	X	X	X	X	X	X
A12-B12	X	X	X	X	X	X
A1-B1	X	X	X	X	X	X
A5-B5	X	X	X			
A6-B6			X	X	X	
A7-B7					X	X



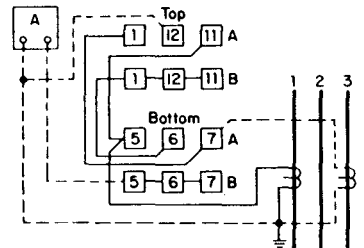
7



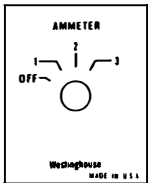
**Ammeter**

3 Phase-2 CT's (End of Circuit)  
Style No. 787A976G04  
Handle: Round Fixed  
Contacts: Maintained  
Stages: 1, Six Contact Frame  
Mounting: 1/8-1/4  
Target: No

CONTACT	POSITION					
	1	2	3	4	5	6
A11-B11	X	X	X	X	X	X
A12-B12	X	X	X	X	X	X
A1-B1	X	X	X	X	X	X
A5-B5	X	X	X			
A6-B6			X	X	X	
A7-B7					X	X



5

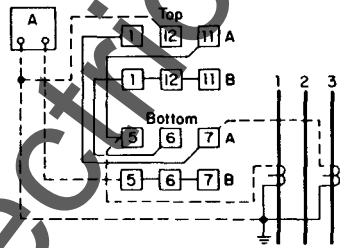


**Ammeter**

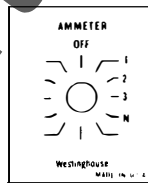
3 Phase-2 CT's (End of Circuit)  
Style No. 787A976G02  
Handle: Round Fixed  
Contacts: Maintained  
Stages: 1, Six Contact Frame  
Mounting: 1/8-1/4  
Target: No

(R) Switch: S#800A426G02  
Removable Key Handle: S#508A298G02  
Key Removable in OFF Position Only.  
S=0°

CONTACT	POSITION					
	OFF	1	2	3	4	5
A11-B11	X	X	X	X	X	X
A12-B12	X	X	X	X	X	X
A1-B1	X	X	X	X	X	X
A5-B5	X	X	X			
A6-B6			X	X	X	
A7-B7					X	X



8

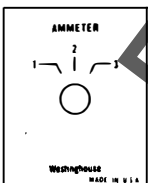


**Ammeter**

Style No. 508A463G04  
Handle: Round Fixed  
Contacts: Maintained  
Stages: 3, Six Contact Frame  
Mounting: 1/8-1/4  
Target: No

CONTACT	POSITION											
	OFF	1	2	3	4	5	6	7	8	9	10	11
A11-B11												
A12-B12	X	X										
A1-B1		X	X	X								
A5-B5				X	X	X						
A6-B6							X	X	X			
A7-B7										X	X	X
C11-D11	X	X	X	X	X	X	X	X	X	X	X	X
C12-D12	X	X	X	X	X	X	X	X	X	X	X	X
C1-D1	X	X	X	X	X	X	X	X	X	X	X	X
C5-D5	X	X	X	X	X	X	X	X	X	X	X	X
C6-D6	X	X	X	X	X	X	X	X	X	X	X	X
C7-D7	X	X	X	X	X	X	X	X	X	X	X	X
E11-F11												
E12-F12	X	X										
E1-F1			X	X	X							
E5-F5				X	X	X						
E6-F6						X	X	X				
E7-F7									X	X	X	

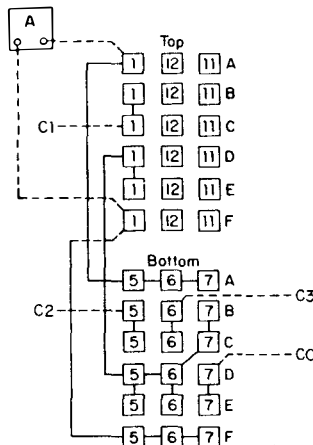
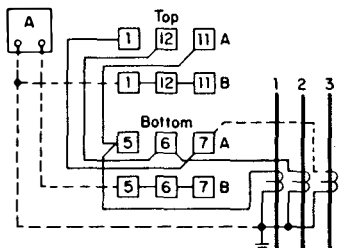
6



**Ammeter**

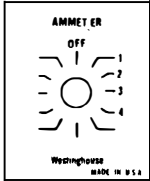
3 Phase-3 CT's (End of Circuit)  
Style No. 787A976G03  
Handle: Round Fixed  
Contacts: Maintained  
Stages: 1, Six Contact Frame  
Mounting: 1/8-1/4  
Target: No

CONTACT	POSITION					
	1	2	3	4	5	6
A11-B11	X	X	X	X	X	X
A12-B12	X	X	X	X	X	X
A1-B1	X	X	X	X	X	X
A5-B5	X	X	X			
A6-B6			X	X	X	
A7-B7					X	X



Position Tabulations, Continued

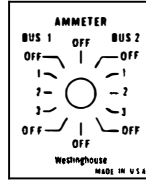
9



**Ammeter**  
 Style No. 508A463G05  
 Handle: Round Fixed  
 Contacts: Maintained  
 Stages: 3, Six Contact Frame  
 Mounting: 1/8-1/4  
 Target: No

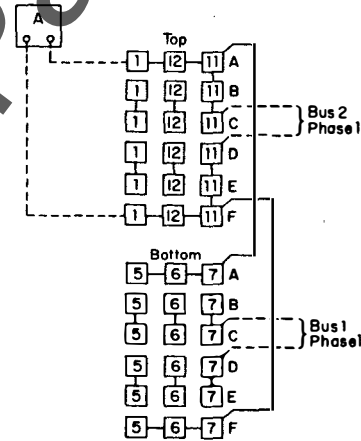
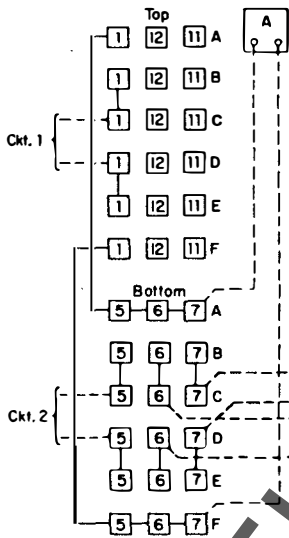
CONTACT	POSITION												
	Off	-	1	-	2	-	3	-	4	-	5	-	6
A11-B11													
A12-B12	X	X											
A1-B1			X	X	X								
A5-B5					X	X	X						
A6-B6								X	X	X			
A7-B7											X	X	X
C11-D11	X	X	X	X	X	X	X	X	X	X	X	X	X
C12-D12	X	X	X	X	X	X	X	X	X	X	X	X	X
C1-D1	X	X	X	X	X	X	X	X	X	X	X	X	X
C5-D5	X	X	X	X	X	X	X	X	X	X	X	X	X
C6-D6	X	X	X	X	X	X	X	X	X	X	X	X	X
C7-D7	X	X	X	X	X	X	X	X	X	X	X	X	X
E11-F11													
E12-F12	X	X											
E1-F1			X	X	X								
E5-F5					X	X	X						
E6-F6								X	X	X			
E7-F7											X	X	X

10



**Ammeter**  
 Style No. 508A481G01  
 Handle: Round Fixed  
 Contacts: Maintained  
 Stages: 3, Six Contact Frame  
 Mounting: 1/8-1/4  
 Target: No

CONTACT	POSITION																				
	BUS 2						BUS 1						BUS 1								
	0	0	0	-1	-	1	-	2	-	3	0	0	0	-3	-	2	-	1	-		
A11-B11				X	X	X															
A12-B12				X	X	X															
A1-B1							X	X	X												
A5-B5																X	X	X			
A6-B6																X	X	X			
A7-B7																			X	X	X
C11-D11	X	X	X	X	X	X	X	X	X	X	X	X	X	X	X	X	X	X	X	X	X
C12-D12	X	X	X	X	X	X	X	X	X	X	X	X	X	X	X	X	X	X	X	X	X
C1-D1	X	X	X	X	X	X	X	X	X	X	X	X	X	X	X	X	X	X	X	X	X
C5-D5	X	X	X	X	X	X	X	X	X	X	X	X	X	X	X	X	X	X	X	X	X
C6-D6	X	X	X	X	X	X	X	X	X	X	X	X	X	X	X	X	X	X	X	X	X
C7-D7	X	X	X	X	X	X	X	X	X	X	X	X	X	X	X	X	X	X	X	X	X
E11-F11																					
E12-F12	X	X																			
E1-F1							X	X	X												
E5-F5										X	X	X									
E6-F6														X	X	X					
E7-F7																	X	X	X		



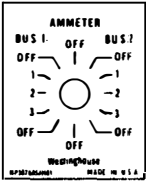
Balance of Incoming Connections are Similar.

www.ElectricalPart.com



Position Tabulations. Continued

11

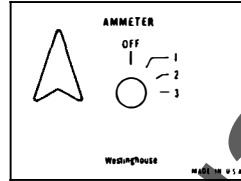


Ammeter

Style No. 658A615G02
Handle: Round Fixed
Contacts: Maintained
Stages: 2, Six Contact Frame
Mounting: 1/8-1/4
Target: No.

Table with columns CONTACT, POSITION, BUS 2, and BUS 1. Rows include A11-B11, A12-B12, A1-B1, A5-B5, A6-B6, A7-B7, C11-D11, C12-D12, C1-D1, C5-D5, C6-D6, C7-D7.

13

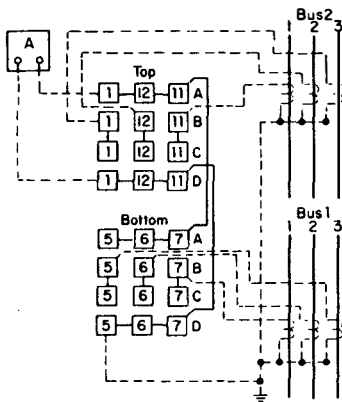
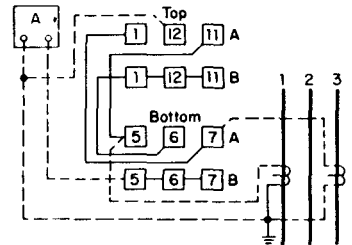


Ammeter

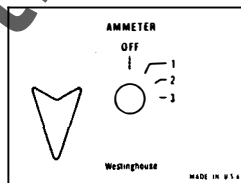
3 Phase-2 CT's (End of Circuit)
Style No. 787A984G02
Handle: Fixed, Mini-Slim DS
Contacts: Maintained
Stages: 1, Six Contact Frame
Mounting: 1/8-1/4
Target: No

Table with columns CONTACT, POSITION, and rows A11-B11, A12-B12, A1-B1, A5-B5, A6-B6, A7-B7.

Note: Switch Mounted 90° From Standard.



14

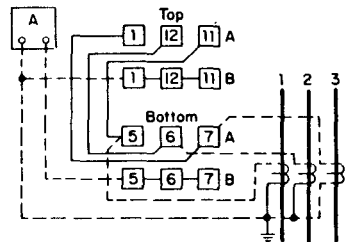


Ammeter

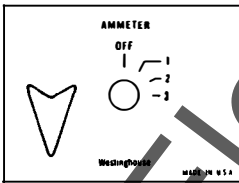
3 Phase-3 CT's (End of Circuit)
Style No. 787A984G03
Handle: Fixed, Mini-Slim DS
Contacts: Maintained
Stages: 1, Six Contact Frame
Mounting: 1/8-1/4
Target: No.

Table with columns CONTACT, POSITION, and rows A11-B11, A12-B12, A1-B1, A5-B5, A6-B6, A7-B7.

Note: Switch Mounted 90° From Standard.



12

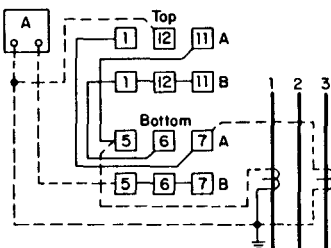


Ammeter

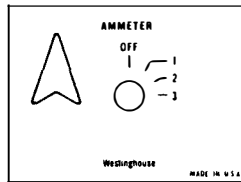
3 Phase-2 CT's (End of Circuit)
Style No. 787A984G01
Handle: Fixed, Mini-Slim DS
Contacts: Maintained
Stages: 1, Six Contact Frame
Mounting: 1/8-1/4
Target: No

Table with columns CONTACT, POSITION, and rows A11-B11, A12-B12, A1-B1, A5-B5, A6-B6, A7-B7.

Note: Switch Mounted 90° From Standard.



15

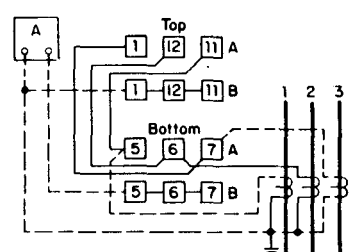


Ammeter

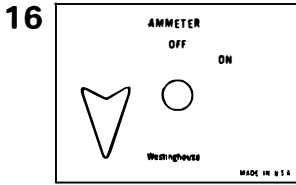
3 Phase-3 CT's (End of Circuit)
Style No. 787A984G04
Handle: Fixed, Mini-Slim
Contacts: Maintained
Stages: 1, Six Contact Frame
Mounting: 1/8-1/4
Target: No

Table with columns CONTACT, POSITION, and rows A11-B11, A12-B12, A1-B1, A5-B5, A6-B6, A7-B7.

Note: Switch Mounted 90° From Standard.



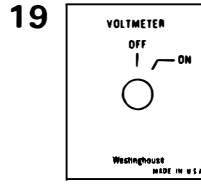
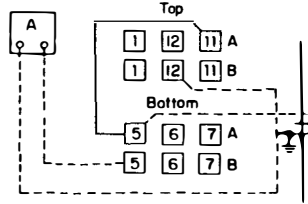
Position Tabulations, *Continued*



**16 Ammeter**  
**3 Phase-1 CT**  
 Style No 787A984G05  
 Handle: Mini-Slim, Fixed  
 Contacts: Maintained  
 Stages: 1, Six Contact Frame  
 Mounting: 1/8-1/4  
 Target: No

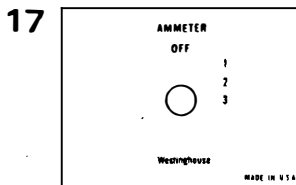
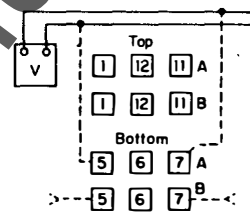
CONTACT	POSITION	
	OFF	ON
A11-B11	X	X
A5-B5	X	X

**Note:**  
 Switch Mounted 90° From Standard.



**19 Voltmeter**  
**Single Phase**  
 (R) Switch: S#505A747G01  
 Removable Key Handle: S# 505A747G02  
 Key Removable in OFF Position Only.  
 S=0°  
 Contacts: Maintained  
 Stages: 1, Six Contact Frame  
 Mounting: 1/8-1/4  
 Target: No

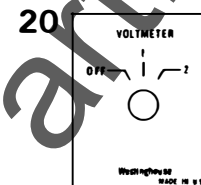
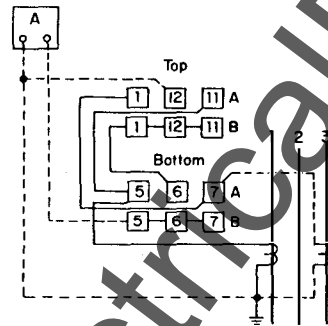
CONTACT	POSITION	
	OFF	ON
A11-B11	X	X
A12-B12	X	X
A1-B1	X	X
A5-B5	X	X
A6-B6	X	X
A7-B7	X	X



**17 Ammeter**  
**3 Phase-2 CT's (End of Circuit)**  
 Style No. 787A984G06  
 Handle: Mini-Slim DS, Fixed  
 Contacts: Maintained  
 Stages: 1, Six Contact Frame  
 Mounting: 1/8-1/4  
 Target: No

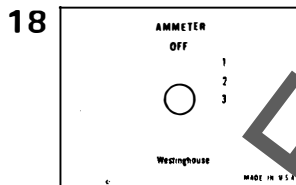
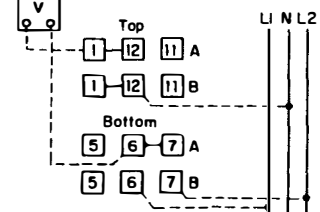
CONTACT	POSITION					
	OFF	1	2	3	4	5
A11-B11	X	X	X	X	X	X
A12-B12	X	X	X	X	X	X
A1-B1	X	X	X	X	X	X
A5-B5	X	X	X	X	X	X
A6-B6			X	X	X	
A7-B7					X	X

**Note:**  
 Switch Mounted 90° From Standard.



**20 Voltmeter**  
**2 Phase-Ac-3 Wire**  
 Style No. 505A702G01  
 Handle: Round Fixed  
 Contacts: Maintained  
 Stages: 1, Six Contact Frame  
 Mounting: 1/8-1/4  
 Target: No

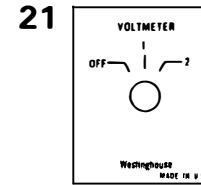
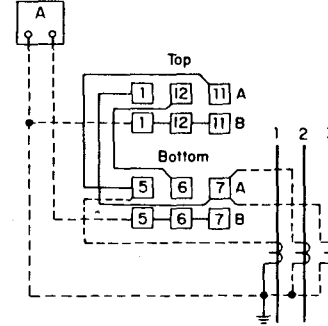
CONTACT	POSITION	
	OFF	1 2
A11-B11	X	X
A12-B12	X	X
A1-B1	X	X
A5-B5	X	X
A6-B6	X	X
A7-B7	X	X



**18 Ammeter**  
**3 Phase-3 CT's (End of Circuit)**  
 Style No. 787A984G07  
 Handle: Mini-Slim DS, Fixed  
 Contacts: Maintained  
 Stages: 1, Six Contact Frame  
 Mounting: 1/8-1/4  
 Target: No

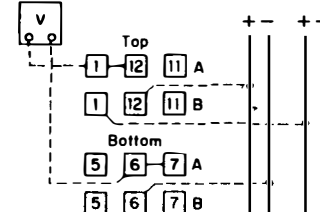
CONTACT	POSITION					
	OFF	1	2	3	4	5
A11-B11	X	X	X	X	X	X
A12-B12	X	X	X	X	X	X
A1-B1	X	X	X	X	X	X
A5-B5	X	X	X	X	X	X
A6-B6			X	X	X	
A7-B7					X	X

**Note:**  
 Switch Mounted 90° From Standard.



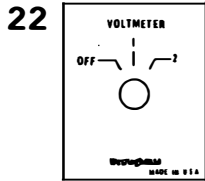
**21 Voltmeter**  
**2 Circuit-Dc-2 Wire**  
 Style No. 505A702G02  
 Handle: Round Fixed  
 (R) Switch Only: S#505A748G01  
 Removable Key Handle: S# 505A748G02  
 Key Removable in OFF Position Only.  
 S=0°  
 Contacts: Maintained  
 Stages: 1, Six Contact Frame  
 Mounting: 1/8-1/4  
 Target: No

CONTACT	POSITION	
	OFF	1 2
A11-B11	X	X
A12-B12	X	X
A1-B1	X	X
A5-B5	X	X
A6-B6	X	X
A7-B7	X	X



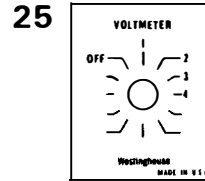
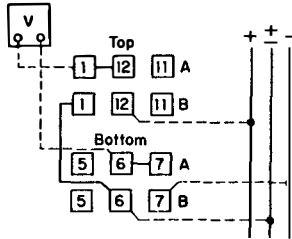


Position Tabulations, Continued



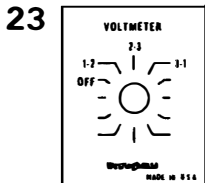
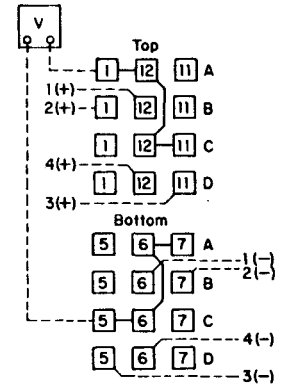
CONTACT	POSITION		
	OFF	1	2
A11-B11	X		
A12-B12		X	
A1-B1			X
A5-B5	X		
A6-B6		X	
A7-B7			X

**Voltmeter**  
**Dc-3 Wire**  
Style No. 505A702G05  
Handle: Round Fixed  
Contacts: Maintained  
Stages: 1, Six Contact Frame  
Mounting: 1/8-1/4  
Target: No



CONTACT	POSITION			
	OFF	1	2	3
A11-B11	X			
A12-B12		X		
A1-B1			X	
A5-B5	X			
A6-B6		X		
A7-B7			X	
C11-D11			X	
C12-D12				X
C1-D1				X
C5-D5			X	
C6-D6				X
C7-D7				X

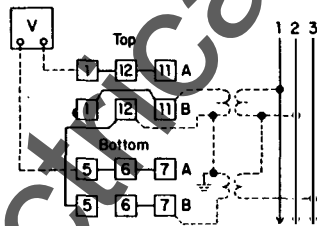
**Voltmeter**  
**4 Circuit**  
Style No. 505A704G01  
Handle: Round Fixed  
Contacts: Maintained  
Stages: 2, Six Contact Frame  
Mounting: 1/8-1/4  
Target: No



CONTACT	POSITION		
	0	1 2	2 3 1
A11-B11		X	
A12-B12			X
A1-B1			X
A5-B5	X		
A6-B6		X	
A7-B7			X

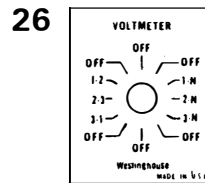
**Voltmeter**  
**3 Phase-3 Wire**  
Style No. 505A702G04  
Handle: Round Fixed  
(R) Switch Only: S#505A749G01  
Removable Key Handle: S# 505A749G02  
Key Removable in OFF Position Only,  
S=60°

Contacts: Maintained  
Stages: 1, Six Contact Frame  
Mounting: 1/8-1/4  
Target: No



Tabulation of Switch as Jumpered

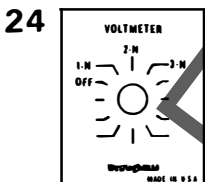
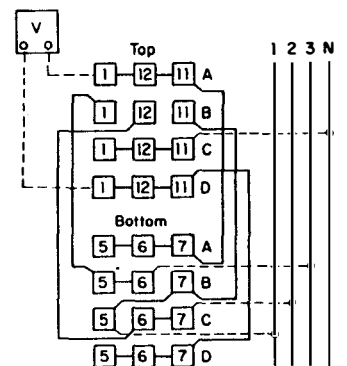
A1-B11		X	X
A1-B12		X	X
A5-B5	X		
A5-B7		X	X



CONTACT	POSITION											
	OFF	OFF	1-N	2-N	3-N	OFF	OFF	3-1	2-3	1-2		
A11-B11			X									
A12-B12				X								
A1-B1					X							
A5-B5	X											
A6-B6								X				
A7-B7									X			
C11-D11			X									
C12-D12				X								
C1-D1					X							
C5-D5								X				
C6-D6									X			
C7-D7										X		

**Voltmeter**  
**Phase to Neutral and Phase to Phase**

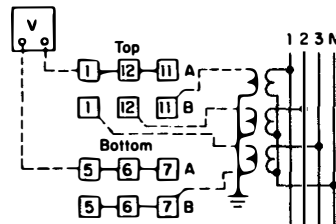
Style No. 505A705G01  
Handle: Round Fixed  
Contacts: Maintained  
Stages: 2, Six Contact Frame  
Mounting: 1/8-1/4  
Target: No



CONTACT	POSITION			
	0	1-N	2-N	3-N
A11-B11		X		
A12-B12			X	
A1-B1				X
A5-B5	X			
A6-B6		X		
A7-B7			X	

**Voltmeter**  
**3 Phase-4 Wire**  
Style No. 505A702G05  
Handle: Round Fixed  
(R) Switch Only: S#505A762G01  
Removable Key Handle: S# 505A762G02  
Key Removable in OFF Position Only,  
S=315°

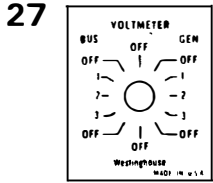
Contacts: Maintained  
Stages: 1, Six Contact Frame  
Mounting: 1/8-1/4  
Target: No



Tabulation of Switch as Jumpered

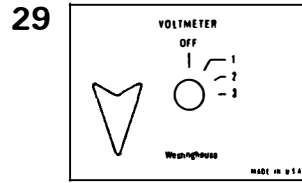
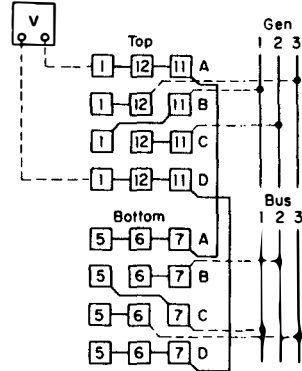
A1-B11		X	
A1-B12		X	
A1-B1			X
A5-B5	X	X	X

Position Tabulations, Continued



**Voltmeter**  
**Two 3 Phase Circuits**  
 Style No. 505A705G02  
 Handle: Round Fixed  
 Contacts: Maintained  
 Stages: 2, Six Contact Frame  
 Mounting: 1/8-1/4  
 Target: No

CONTACT	POSITION											
	0	0	1	2	3	0	0	0	3	2	1	0
A11-B11			X									
A12-B12				X								
A1-B1					X							
A5-B5								X				
A6-B6									X			
A7-B7										X		
C11-D11			X									
C12-D12				X								
C1-D1					X							
C5-D5								X				
C6-D6									X			
C7-D7										X		

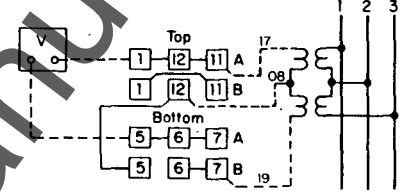


**Voltmeter**  
**3 Phase-3 Wire**  
 Style No. 3562A01G01  
 Handle: Mini-Slim DS, Fixed  
 Contacts: Maintained  
 Stages: 1, Six Contact Frame  
 Mounting: 1/8-1/4  
 Target: No

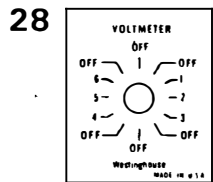
CONTACT	POSITION			
	0	1	2	3
A11-B11		X		
A12-B12			X	
A1-B1				X
A5-B5			X	
A6-B6				X
A7-B7				X

Tabulation of Switch With  
 Extra Connectors Added.

A1-B11		X		X
A1-B12			X	X
A5-B5		X		X
A5-B7			X	X

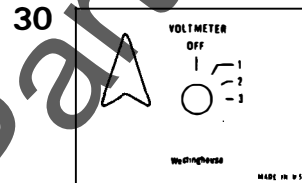
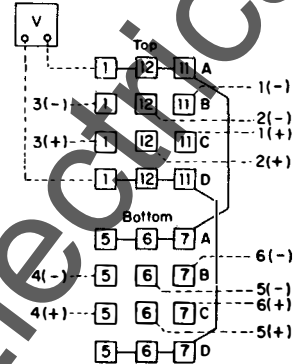


**Note:**  
 Switch Mounted 90° From Standard.  
 Nameplate Arrow Down.



**Voltmeter**  
**6 Circuit**  
 Style No. 505A705G03  
 Handle: Round Fixed  
 Contacts: Maintained  
 Stages: 2, Six Contact Frame  
 Mounting: 1/8-1/4  
 Target: No

CONTACT	POSITION											
	0	0	1	2	3	0	0	0	4	5	6	0
A11-B11			X									
A12-B12				X								
A1-B1					X							
A5-B5								X				
A6-B6									X			
A7-B7										X		
C11-D11			X									
C12-D12				X								
C1-D1					X							
C5-D5								X				
C6-D6									X			
C7-D7										X		

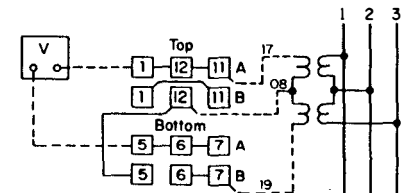


**Voltmeter**  
**3 Phase-3 Wire**  
 Style No. 3562A01G01  
 Handle: Mini-Slim DS, Fixed  
 Contacts: Maintained  
 Stages: 1, Six Contact Frame  
 Mounting: 1/8-1/4  
 Target: No.

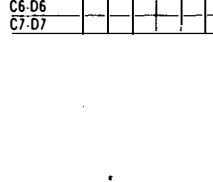
CONTACT	POSITION			
	0	1	2	3
A11-B11		X		
A12-B12			X	
A1-B1				X
A5-B5			X	
A6-B6				X
A7-B7				X

Tabulation of Switch With  
 Extra Connectors Added.

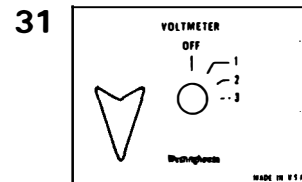
A1-B11		X		X
A1-B12			X	X
A5-B5		X		X
A5-B7			X	X



**Note:**  
 Switch Mounted 90° From Standard.  
 Nameplate Arrow Up.



**Voltmeter**  
**3 Phase-4 Wire**  
 Style No. 3562A01G03  
 Handle: Mini-Slim DS, Fixed  
 Contacts: Maintained  
 Stages: 1, Six Contact Frame  
 Mounting: 1/8-1/4  
 Target: No

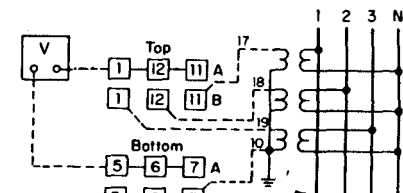


**Voltmeter**  
**3 Phase-4 Wire**  
 Style No. 3562A01G03  
 Handle: Mini-Slim DS, Fixed  
 Contacts: Maintained  
 Stages: 1, Six Contact Frame  
 Mounting: 1/8-1/4  
 Target: No

CONTACT	POSITION			
	0	1	2	3
A11-B11		X		
A12-B12			X	
A1-B1				X
A5-B5			X	
A6-B6				X
A7-B7				X

Tabulation of Switch With  
 Extra Connectors Added.

A1-B11		X		X
A1-B12			X	X
A1-B1				X
A5-B5		X	X	X



**Note:**  
 Switch Mounted 90° From Standard.  
 Nameplate Arrow Down.

www.ElectricalProducts.com

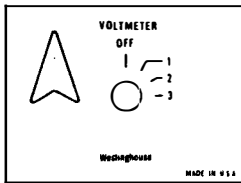




www.ElectricalPart.com

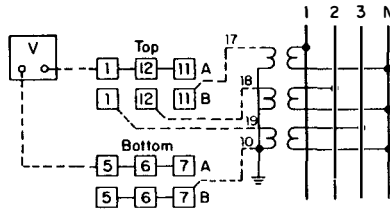
Position Tabulations, *Continued*

32



**Voltmeter**  
**3 Phase-4 Wire**  
Style No. 3562A01G04  
Handle: Mini-Slim DS, Fixed  
Contacts: Maintained  
Stages: 1, Six Contact Frame  
Mounting: 1/8-1/4  
Target: No

CONTACT	POSITION			
	0	1	2	3
A11-B11		X		
A12-B12			X	
A1-B1				X
A5-B5	X			
A6-B6		X		
A7-B7			X	

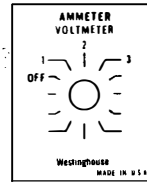


Tabulation of Switch With  
Extra Connectors Added.

A1-B11		X		
A1-B12			X	
A1-B1				X
A5-B5	X	X	X	X

**Note:**  
Switch Mounted 90° From Standard,  
Nameplate Arrow Up.

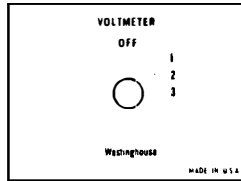
34



**Ammeter/Voltmeter**  
Style No. 508A299G03  
Handle: Round Fixed  
Contacts: Maintained  
Stages: 3, Six Contact Frame  
Mounting: 1/8-1/4  
Target: No

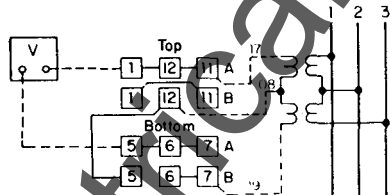
CONTACT	POSITION					
	0	1	11	2	21	3
A11-B11	X	X	X	X	X	X
A12-B12			X	X	X	X
A1-B1						X
A5-B5	X	X	X	X	X	X
A6-B6		X	X	X	X	X
A7-B7						X
C1-D11	X	X	X	X	X	X
C12-D12	X	X	X	X	X	X
C1-B1	X	X	X	X	X	X
C5-D5	X	X	X	X	X	X
C6-D6	X	X	X	X	X	X
C7-D7	X	X	X	X	X	X
E11-F11		X				
E12-F12				X		
E1-F1						X
E5-F5		X				
E6-F6				X		
E7-F7						X

33



**Voltmeter**  
**3 Phase-3 Wire**  
Style No. 3562A01G05  
Handle: Mini-Slim DS, Fixed  
Contacts: Maintained  
Stages: 1, Six Contact Frame  
Mounting: 1/8-1/4  
Target: No

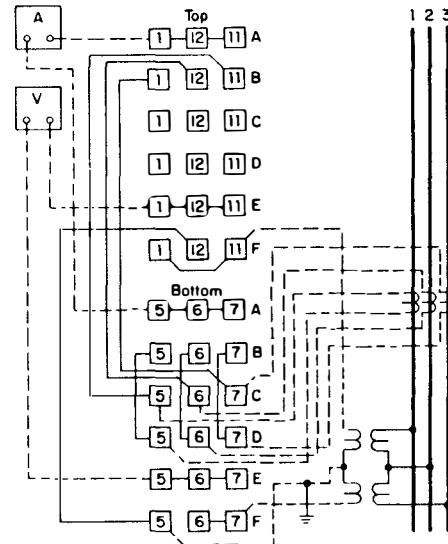
CONTACT	POSITION			
	0	1	2	3
A11-B11		X		
A12-B12			X	
A1-B1				X
A5-B5	X			
A6-B6		X		
A7-B7			X	



Tabulation of Switch With  
Extra Connectors Added.

A1-B11		X	X
A1-B12			X
A5-B5		X	
A5-B7		X	X

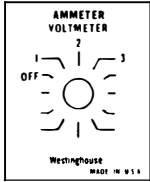
**Note:**  
Switch Mounted 90° From Standard.



www.ElectricalPart.com

Position Tabulations, *Continued*

35

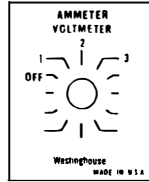


**Ammeter/Voltmeter**

Style No. 508A299G09  
 Handle: Round Fixed  
 Contacts: Maintained  
 Stages: 3, Six Contact Frame  
 Mounting: 1/8-1/4  
 Target: No

CONTACT	POSITION					
	0	1	2	3	4	5
A11-B11		X	X	X		
A12-B12						X
A1-B1		X	X	X		
A6-B6				X	X	X
A7-B7						X
C11-D11	X	X	X	X	X	X
C12-D12	X	X	X	X	X	X
C1-D1	X	X	X	X	X	X
C5-D5	X	X	X	X	X	X
C6-D6	X	X	X	X	X	X
C7-D7	X	X	X	X	X	X
E11-F11			X			
E12-F12				X		
E1-F1						X
E5-F5		X				
E6-F6				X		
E7-F7						X

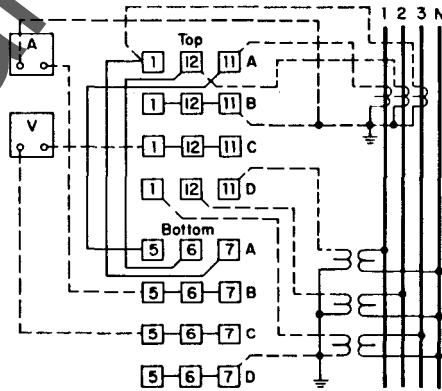
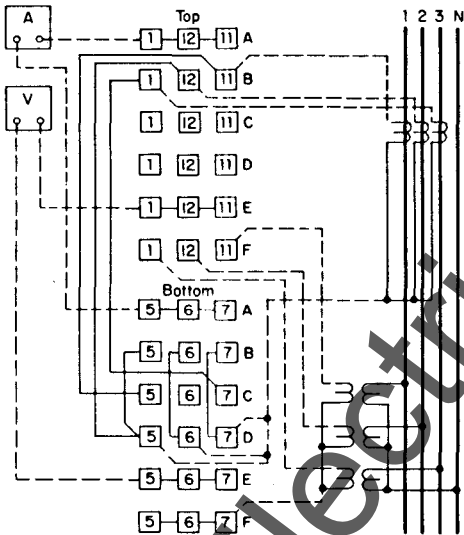
36



**Ammeter/Voltmeter**

**3 Phase-4 Wire-3 CT's and 3 PT's**  
 (End of Line Application)  
 Style No. 787A977G01  
 Handle: Round Fixed  
 Contacts: Maintained  
 Stages: 2, Six Contact Frame  
 Mounting: 1/8-1/4  
 Target: No

CONTACT	POSITION					
	0	1	2	3	4	5
A11-B11	X	X	X	X	X	X
A12-B12	X	X	X	X	X	X
A1-B1	X	X	X	X	X	X
A5-B5	X	X	X			
A6-B6			X	X	X	
A7-B7						X
C11-D11		X				
C12-D12				X		
E1-D1						X
C5-D5		X				
C6-D6				X		
C7-D7						X

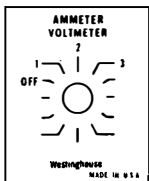


www.ElectricalPortal.com



Position Tabulations, *Continued*

37



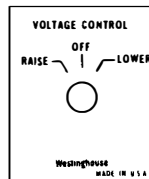
**Ammeter/Voltmeter**

3 Phase-Wire-3 CT's and 3 PT's  
(End of Line Application)

Style No. 787A977G02  
Handle: Round Fixed  
Contacts: Maintained  
Stages: 2, Six Contact Frame  
Mounting: 1/8-1/4  
Target: No

CONTACT	POSITION					
	OFF	1	2	3	4	5
A11-B11	X	X	X	X	X	X
A12-B12	X	X	X	X	X	X
A1-B1	X	X	X	X	X	X
A5-B5	X	X	X			
A6-B6			X	X	X	
A7-B7						X
C11-D11		X				
C12-D12				X		
C1-D1						X
C5-D5		X				
C6-D6				X		
C7-D7						X

39

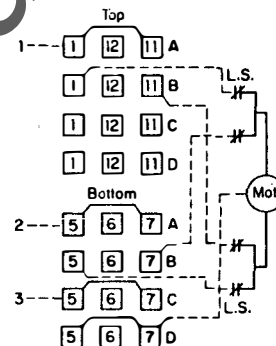


**Voltage Control**

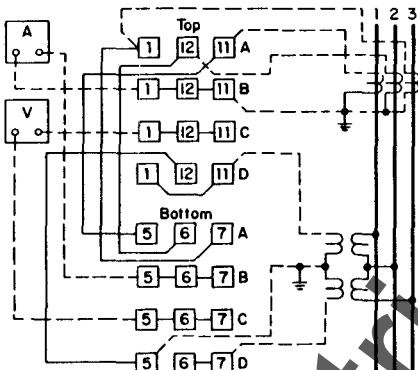
Style No. 505A715G01  
Handle: Pistol Grip Fixed  
Contacts: Momentary  
Stages: 2, Six Contact Frame  
Mounting: 1/8-1/4  
Target: No

Oval Fixed Handle  
Switch: S# 505A715G05

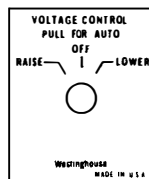
CONTACT	POSITION		
	R	O	L
A11-B11	X		
A12-B12	X		
A1-B1		X	
A5-B5	X		
A6-B6		X	
A7-B7			X
C11-D11	X	X	
C12-D12	X	X	
C1-D1			X
C5-D5	X		
C6-D6	X		
C7-D7	X		



Note:  
Spring Return to OFF Position.



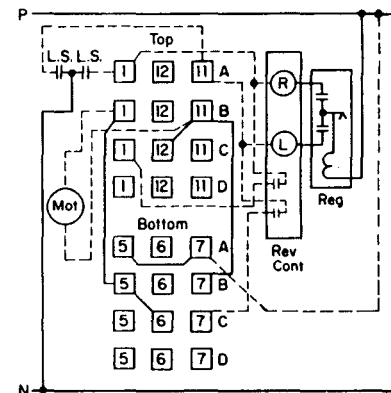
40



**Voltage Control**

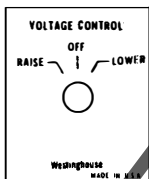
Style No. 505A716G01  
Handle: Oval Fixed  
Contacts: Momentary  
Stages: 2, Six Contact Frame  
Mounting: 1/8-1/4  
Target: No

CONTACT	POSITION			
	R	O	P	L
A11-B11	X			
A12-B12	X	X		
A1-B1			X	
A5-B5	X			
A6-B6		X	X	
A7-B7				X
D12-C1	X	X		
C6-C7	X			
D6-D7	X	X		



Note:  
Spring Return to OFF Position.  
Maintained In Pull Out at OFF.

38



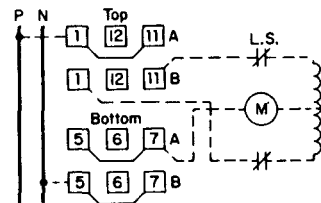
**Voltage Control**

Style No. 505A703G01  
Handle: Pistol Grip Fixed  
Contacts: Momentary  
Stages: 1, Six Contact Frame  
Mounting: 1/8-1/4  
Target: No

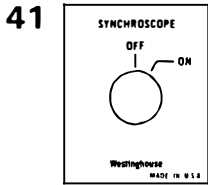
Oval Fixed Handle  
Switch: S# 505A703G06

CONTACT	POSITION		
	R	O	L
A11-B11	X		
A12-B12	X		
A1-B1		X	
A5-B5	X		
A6-B6	X		
A7-B7			X

Note:  
Spring Return to OFF Position.



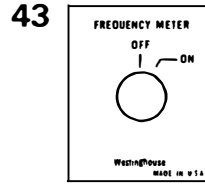
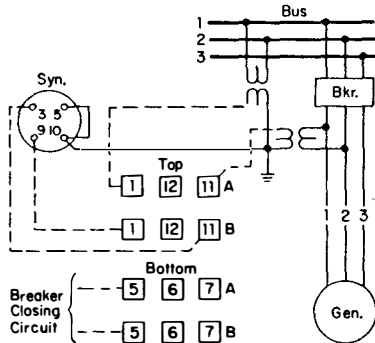
Position Tabulations, Continued



**Synchroscope**

(R) Style No. 505A755G01  
 Handle: Removable Key  
 Contacts: Maintained  
 Stages: 1, Six Contact Frame  
 Mounting: 1/8-1/4  
 Target: No

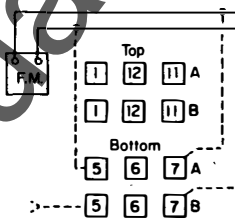
CONTACT	POSITION	
	OFF	ON
A11-B11		X
A12-B12	X	
A1-B1		X
A5-B5		X
A6-B6	X	
A7-B7		X



**Frequency Meter**

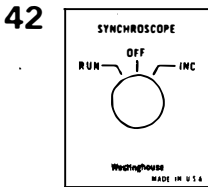
(R) Style No. 508A467G01  
 Handle: Removable Key  
 Contacts: Maintained  
 Stages: 1, Six Contact Frame  
 Mounting: 1/8-1/4  
 Target: No

CONTACT	POSITION	
	OFF	ON
A11-B11		X
A12-B12	X	
A1-B1		X
A5-B5		X
A6-B6	X	
A7-B7		X



Note:  
 Handle Removable in OFF Position.  
 Ref. to Key Handle S#508A467G02 (Round).  
 Ref. to Key Handle S#508A467G03 (Oval).  
 S=105°

Note:  
 Key Handle Removable in OFF Position.  
 Key Handle Not Furnished as Part of Switch.  
 Ref. to Key Handle S# 505A755G02 (Round)  
 S=180°



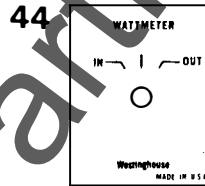
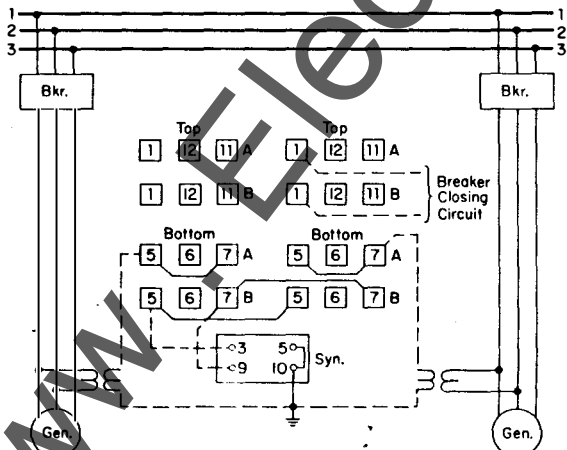
**Synchroscope**

(R) Style No. 505A757G01  
 Handle: Removable Key  
 Contacts: Maintained  
 Stages: 1, Six Contact Frame  
 Mounting: 1/8-1/4  
 Target: No

CONTACT	POSITION		
	R	O	I
A11-B11	X		
A12-B12		X	
A1-B1			X
A5-B5	X		
A6-B6		X	
A7-B7			X

Note:  
 Switch Operated by Two Keys  
 RUN (S# 505A757G02)  
 INC (S# 505A757G03)

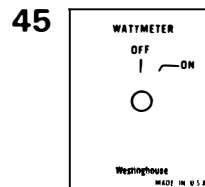
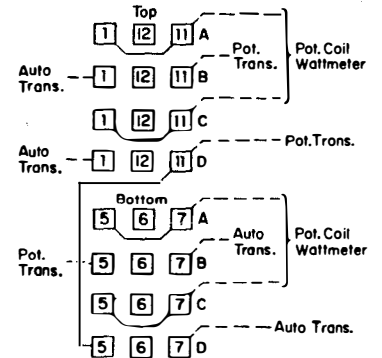
Key Handle Removable in OFF Position. (S=30°)



**Wattmeter**

Style No. 505A712G90  
 Handle: Round Fixed  
 Contacts: Maintained  
 Stages: 2, Six Contact Frame  
 Mounting: 1/8-1/4  
 Target: No

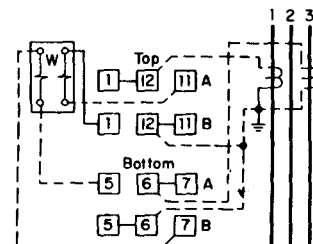
CONTACT	POSITION		
	IN	-	OUT
A11-B11	X		
A12-B12		X	
A1-B1			X
A5-B5	X		
A6-B6		X	
A7-B7			X
C11-D11	X		
C12-D12		X	
C1-D1			X
C5-D5	X		
C6-D6		X	
C7-D7			X



**Wattmeter**

Style No. 505A734G09  
 Handle: Round Fixed  
 Contacts: Maintained  
 Stages: 1, Six Contact Frame  
 Mounting: 1/8-1/4  
 Target: No

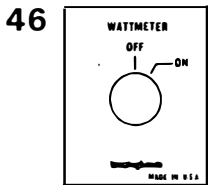
CONTACT	POSITION		
	OFF	-	ON
A11-B11	X	X	X
A12-B12	X	X	X
A1-B1		X	X
A5-B5		X	X
A6-B6	X	X	X
A7-B7		X	X



\* Note:  
 Adjacent Overlap  
 Contacts are Electrically  
 Connected Together  
 During Transfer.



Position Tabulations, Continued

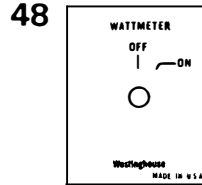
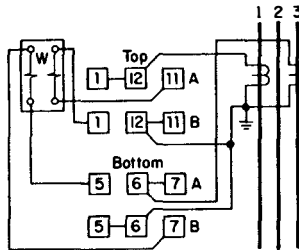


**Wattmeter**  
(R) Style No. 505A754G04  
Handle: Removable Key  
Contacts: Maintained  
Stages: 1, Six Contact Frame  
Mounting: 1/8-1/4  
Target: No

**Note:**  
Key Handle Removable in OFF Position.  
Key Handle Not Furnished as Part of Switch.  
Ref. to Key Handle S#505A797G02 (Oval).  
S=300°

CONTACT	POSITION	
	OFF	ON
A11-B11	X	X
A12-B12	X	X
A1-B1	X	X
A5-B5	X	X
A6-B6	X	X
A7-B7	X	X

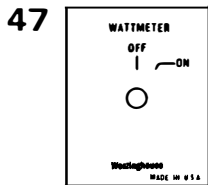
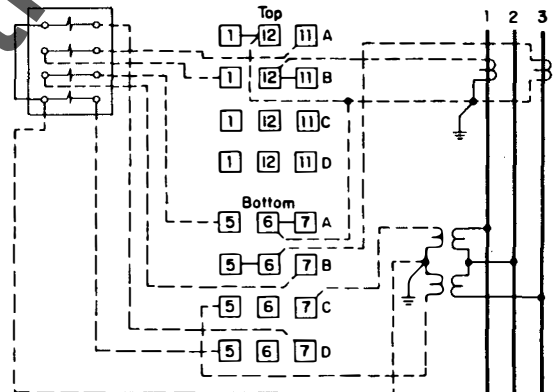
\* **Note:**  
Adjacent Overlap Contacts  
are Electrically Connected  
Together During Transfer.



**Wattmeter**  
Style No. 505A740G07  
Handle: Round Fixed  
Contacts: Maintained  
Stages: 2, Six Contact Frame  
Mounting: 1/8-1/4  
Target: No

CONTACT	POSITION	
	OFF	ON
A11-B11	X	X
A12-B12	X	X
A1-B1	X	X
A5-B5	X	X
A6-B6	X	X
A7-B7	X	X
C11-D11	X	X
C12-D12	X	X
C1-D1	X	X
C5-D5	X	X
C6-D6	X	X
C7-D7	X	X

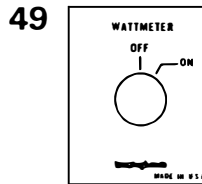
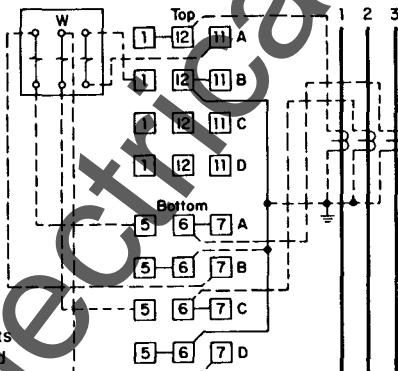
**Note:**  
Adjacent Overlap Contacts  
are Electrically Connected  
Together During Transfer.



**Wattmeter**  
Style No. 505A740G06  
Handle: Round Fixed  
Contacts: Maintained  
Stages: 2, Six Contact Frame  
Mounting: 1/8-1/4  
Target: No

CONTACT	POSITION	
	OFF	ON
A11-B11	X	X
A12-B12	X	X
A1-B1	X	X
A5-B5	X	X
A6-B6	X	X
A7-B7	X	X
C11-D11	X	X
C12-D12	X	X
C1-D1	X	X
C5-D5	X	X
C6-D6	X	X
C7-D7	X	X

\* **Note:**  
Adjacent Overlap Contacts  
are Electrically Connected  
Together During Transfer.

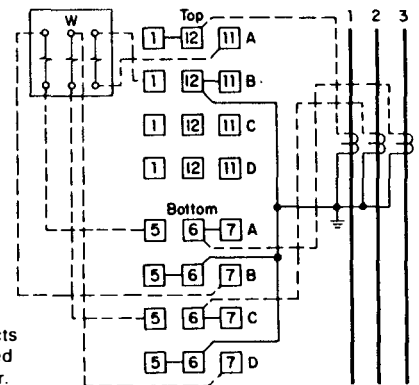


**Wattmeter**  
(R) Style No. 505A779G05  
Handle: Removable Key  
Contacts: Maintained  
Stages: 2, Six Contact Frame  
Mounting: 1/8-1/4  
Target: No

**Note:**  
Key Handle Removable in OFF Position.  
Key Handle Not Furnished as Part of Switch.  
Ref. to Key Handle S#508A247G02 (Round).  
S=60°

CONTACT	POSITION	
	OFF	ON
A11-B11	X	X
A12-B12	X	X
A1-B1	X	X
A5-B5	X	X
A6-B6	X	X
A7-B7	X	X
C11-D11	X	X
C12-D12	X	X
C1-D1	X	X
C5-D5	X	X
C6-D6	X	X
C7-D7	X	X

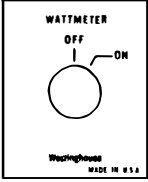
\* **Note:**  
Adjacent Overlap Contacts  
are Electrically Connected  
Together During Transfer.



WWW.ElectricalArt.com

Position Tabulations, *Continued*

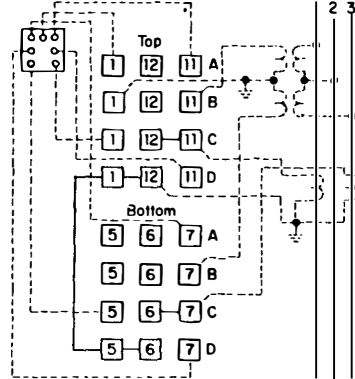
50



**Wattmeter**

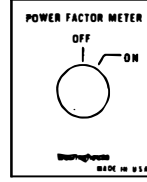
(R) Style No. 505A752G01  
 Handle: Removable Key  
 Contacts: Maintained  
 Stages: 2, Six Contact Frame  
 Mounting: 1/8-1/4  
 Target: No

CONTACT	POSITION	
	ON	OFF
A11-B11		X
A12-B12	X	
A1-B1		X
A5-B5		X
A6-B6	X	
A7-B7		X
C11-D11	X	X
C12-D12	X	X
C1-D1	X	X
C5-D5	X	X
C6-D6	X	X
C7-D7	X	X



**Note:**  
 Ref. to Removable Key Handle S#505A752G02 (Round).  
 Key Removable in OFF Position Only.  
 S=120°

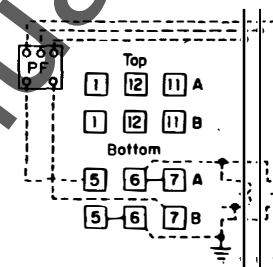
52



**Power Factor Meter**

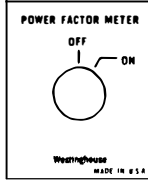
(R) Style No. 505A754G01  
 Handle: Removable Key  
 Contacts: Maintained  
 Stages: 1, Six Contact Frame  
 Mounting: 1/8-1/4  
 Target: No

CONTACT	POSITION	
	OFF	ON
A11-B11		X
A12-B12	X	X
A1-B1	X	X
A5-B5	X	X
A6-B6	X	X
A7-B7	X	X



**Note:**  
 Ref. to Removable Key Handle S#505A754G02 (Round).  
 Key Removable in OFF Position Only.  
 S=300°

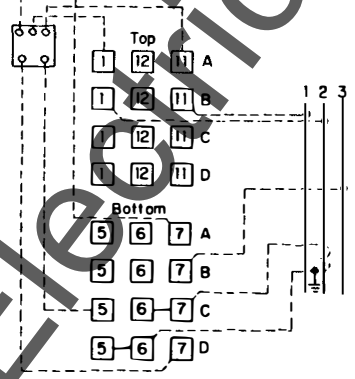
51



**Power Factor Meter**

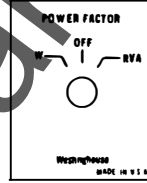
(R) Style No. 505A753G01  
 Handle: Removable Key  
 Contacts: Maintained  
 Stages: 2, Six Contact Frame  
 Mounting: 1/8-1/4  
 Target: No

CONTACT	POSITION	
	OFF	ON
A11-B11		X
A12-B12	X	
A1-B1		X
A5-B5		X
A6-B6	X	
A7-B7		X
C11-D11	X	X
C12-D12	X	X
C1-D1	X	X
C5-D5	X	X
C6-D6	X	X
C7-D7	X	X



**Note:**  
 Ref. to Removable Key Handle S#505A753G02 (Round).  
 Key Removable in OFF Position Only.  
 S=300°

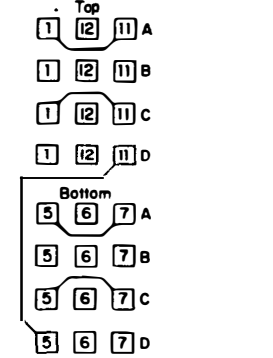
53



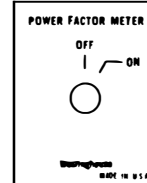
**Power Factor**

Style No: 505A712G91  
 Handle: Round Fixed  
 Contacts: Maintained  
 Stages: 2, Six Contact Frame  
 Mounting: 1/8-1/4  
 Target: No

CONTACT	POSITION		
	W	O	RVA
A11-B11	X		
A12-B12		X	
A1-B1			X
A5-B5	X		
A6-B6		X	
A7-B7			X
C11-D11	X		
C12-D12	X		
C1-D1			X
C5-D5	X		
C6-D6		X	
C7-D7			X



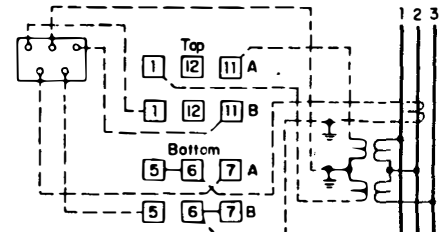
54



**Power Factor Meter**

Style No. 508A496G03  
 Handle: Round Fixed  
 Contacts: Maintained  
 Stages: 1, Six Contact Frame  
 Mounting: 1/8-1/4  
 Target: No

CONTACT	POSITION	
	OFF	ON
A11-B11		X
A12-B12	X	
A1-B1		X
A5-B5	X	X
A6-B6	X	X
A7-B7	X	X



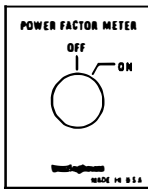
\* **Note:**  
 Adjacent Overlap Contacts are Electrically Connected Together During Transfer

www.ElectricalPanel.com



Position Tabulations, *Continued*

55



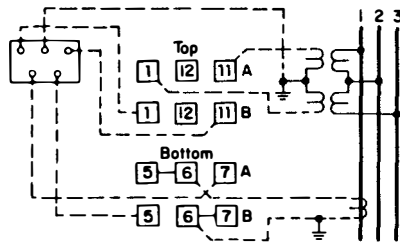
**Power Factor Meter**

(R) Style No. 802A470G01  
Handle: Removable Key  
Contacts: Maintained  
Stages: 1, Six Contact Frame  
Mounting: 1/8-1/4  
Target: No

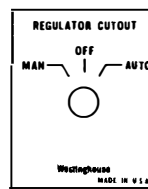
**Note:**  
Key Handle Removable in OFF Position.  
Key Handle Not Furnished as Part of Switch  
Ref. to Key Handle S#505A754G03 (Oval).  
S=300°

CONTACT	POSITION	
	OFF	ON
A11-B11		X
A12-B12	X	
A1-B1		X
A5-B5	X	X
A6-B6	X	X
A7-B7	X	X

\* **Note:**  
Adjacent Overlap Contacts  
are Electrically Connected  
Together During Transfer.



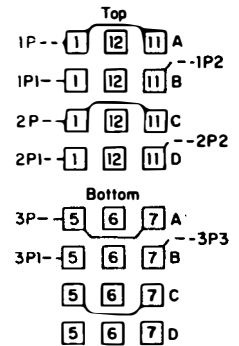
57



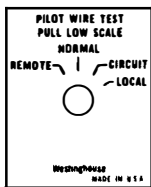
**Regulator Cutout**

Style No. 505A712G01  
Handle: Round Fixed  
Contacts: Maintained  
Stages: 2, Six Contact Frame  
Mounting: 1/8-1/4  
Target: No

CONTACT	POSITION		
	M	O	A
A11-B11	X		
A12-B12		X	
A1-B1		X	
A5-B5	X	X	
A6-B6	X	X	
A7-B7	X	X	
C11-D11	X		
C12-D12	X		
C1-D1			X
C5-D5	X	X	
C6-D6	X	X	
C7-D7	X	X	



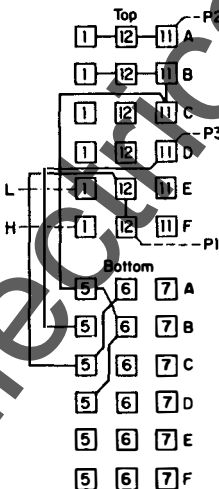
56



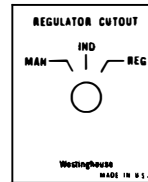
**Pilot Wire Test**

Style No. 508A468G01  
Handle: Pistol Grip Fixed  
Contacts: Momentary  
Stages: 3, Six Contact Frame  
Mounting: 1/8-1/4  
Target: Yes

CONTACT	POSITION					
	R	P	N	C	L	P
A11-B11	X	X				
A12-B12			X	X		
A1-B1				X	X	
A5-B5	X	X				
A6-B6		X	X			
A7-B7				X	X	
C11-D11					X	X
C12-D12						
C1-D1						X
C5-D5					X	X
C6-D6						
C7-D7						
E12-E1		X	X	X	X	X
F12-F1	X	X	X	X	X	X
E6-E7	X	X	X	X	X	X
F6-F7	X	X	X	X	X	X



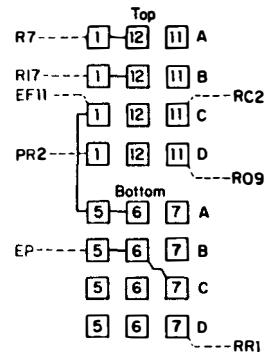
58



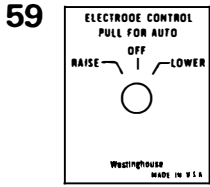
**Regulator Cutout**

Style No. 508A224G02  
Handle: Round Fixed  
Contacts: Maintained  
Stages: 2, Six Contact Frame  
Mounting: 1/8-1/4  
Target: No

CONTACT	POSITION			
	M	I	R	R
A11-B11	X	X		
A12-B12	X	X	X	
A1-B1			X	X
A5-B5	X	X	X	
A6-B6	X	X	X	
A7-B7	X	X	X	
C11-D11	X	X		
C12-D12	X	X	X	
C1-D1			X	X
C5-D5	X	X		
C6-D6	X	X	X	
C7-D7			X	X

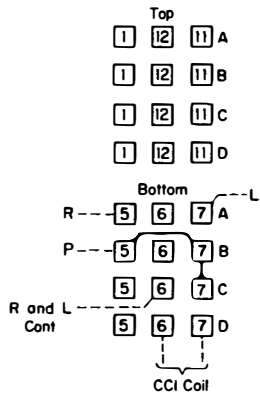


Position Tabulations, *Continued*

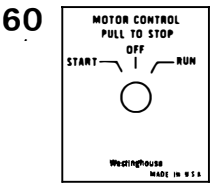


**Electrode Control**  
Switch S#505A716G02  
(Oval Fixed Handle)  
Switch S#505A716G04  
(Pistol Grip Fixed Handle)  
Contacts: Momentary  
Stages: 2. Six Contact Frame  
Mounting: 1/8-1/4  
Target: No

CONTACT	POSITION			
	R	O	P	L
A11-B11	X			
A12-B12		X	X	
A1-B1				X
A5-B5	X			
A6-B6		X	X	
A7-B7				X
C12-C1			X	X
D12-D1	X	X		X
C6-C7			X	X
D6-D7	X	X		X

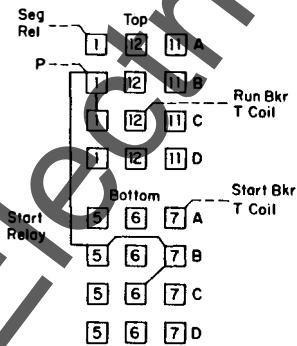


**Note:**  
Maintained in Pull Out at OFF.

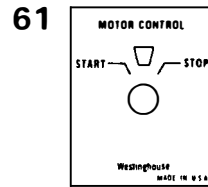


**Motor Control**  
Switch S#505A716G03  
(Oval Fixed Handle)  
Switch S#505A716G05  
(Pistol Grip Fixed Handle)  
Contacts: Momentary  
Stages: 2. Six Contact Frame  
Mounting: 1/8-1/4  
Target: No

CONTACT	POSITION			
	R	O	P	L
A11-B11	X			
A12-B12		X	X	
A1-B1				X
A5-B5	X			
A6-B6		X	X	
A7-B7				X
C12-C1			X	X
D12-D1	X	X		X
C6-C7			X	X
D6-D7	X	X		X

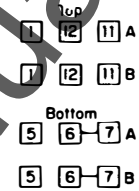


**Note:**  
Maintained in Pull Out at OFF.



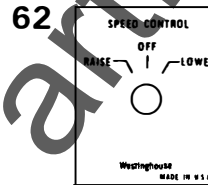
**Motor Control**  
Style No. 663A245G06  
Handle: Pistol Grip Fixed  
Contacts: Momentary  
Stages: 1. Six Contact Frame  
Mounting: 1/8-1/4  
Target: Yes

CONTACT	POSITION			
	STOP	-	N	-
A11-B11	X			
A12-B12		X		
A1-B1				X
A5-B5	X	X	X	
A6-B6		X	X	X
A7-B7			X	X



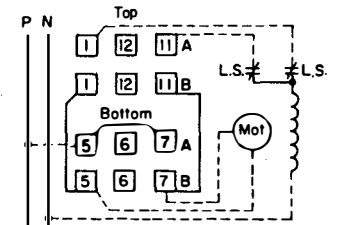
**\* Note:**  
Adjacent Overlap Contacts are Electrically Connected Together During Transfer.

**Note:**  
Spring Return to Center (N) Position.



**Speed Control**  
Switch S#505A703G02  
(Pistol Grip Fixed Handle)  
Switch S#505A703G07  
(Oval Fixed Handle)  
Contacts: Momentary  
Stages: 1. Six Contact Frame  
Mounting: 1/8-1/4  
Target: No

CONTACT	POSITION			
	R	O	P	L
A11-B11	X			
A12-B12		X		
A1-B1				X
A5-B5	X			
A6-B6		X		
A7-B7			X	X



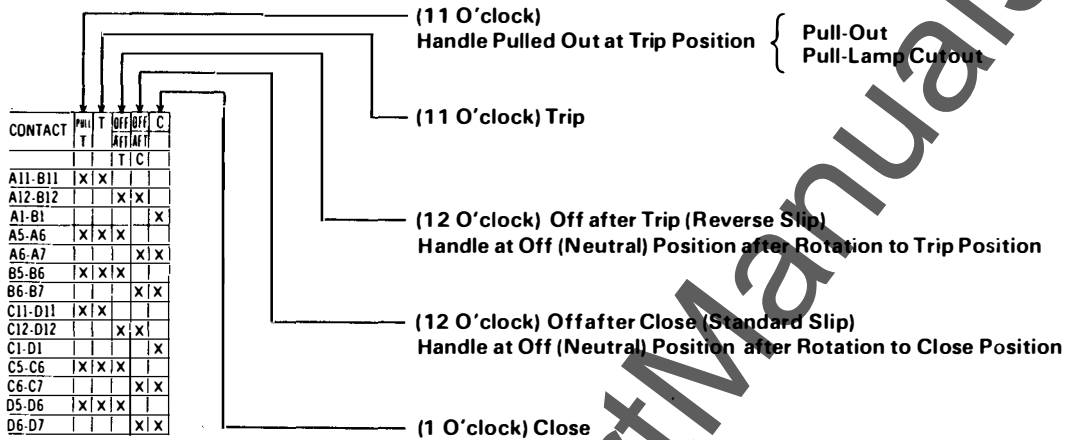
WWW.ElectricalP...com



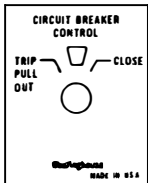


Position Tabulations, *Continued*

Interpretation of position designations for Figures 63 through 83 and other switches using slip and/or pull contacts.



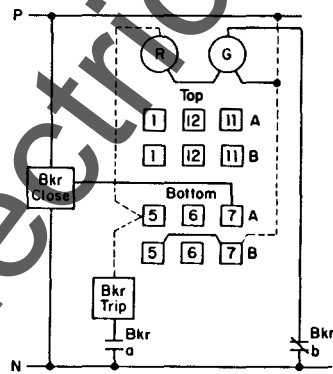
63



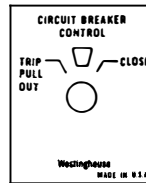
CONTACT	POSITION			
	P	T	O	C
A11-B11	X	X		
A12-B12			X	
A1-B1				X
A5-B5	X	X		
A6-B6			X	
A7-B7				X

Circuit Breaker Control

Switch S#505A713G01  
(Pistol Grip Fixed Handle)  
Switch S#505A713G03  
(Oval Fixed Handle)  
Contacts: Momentary  
Stages: 1, Six Contact Frame  
Mounting: 1/8-1/4  
Target: Yes



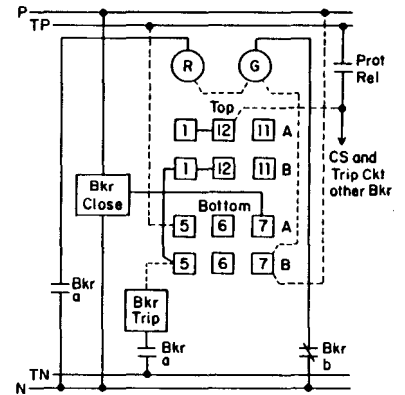
64



CONTACT	POSITION			
	P	T	O	C
A11-B11	X	X		
A12-B12			X	X
A1-B1				X
A5-B5	X	X		
A6-B6			X	
A7-B7				X

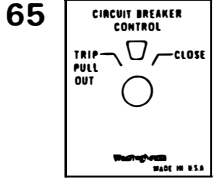
Circuit Breaker Control

Style No 505A713G02  
Handle: Pistol Grip Fixed  
Contacts: Momentary  
Stages: 1, Six Contact Frame  
Mounting: 1/8-1/4  
Target: Yes



www.ElectricalPartManuals.com

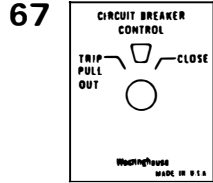
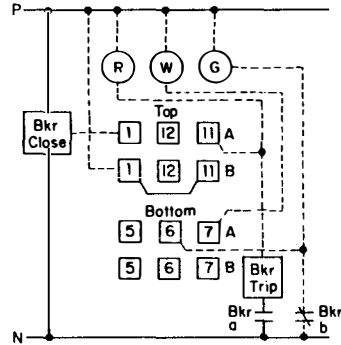
Position Tabulations, Continued



**Circuit Breaker Control**

Switch S#505A714G01  
(Pistol Grip Fixed Handle)  
Switch S#505A714G02  
(Oval Fixed Handle)  
Contacts: Momentary  
Stages: 1, Six Contact Frame  
Mounting: 1/8-1/4  
Target: Yes

CONTACT	POSITION					
	P	T	OFF	ON	T	C
A11-B11	X	X				
A12-B12				X	X	
A1-B1						X
A5-A6	X	X	X	X	X	X
A6-A7	X	X	X	X	X	X
B5-B6	X	X	X	X	X	X
B6-B7				X	X	X



**Circuit Breaker Control**

Style No. 505A718G15  
Handle: Pistol Grip Fixed  
Contacts: Momentary  
Stages: 2, Six Contact Frame  
Mounting: 1/8-1/4  
Target: Yes

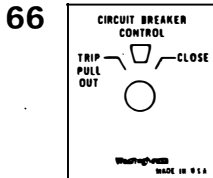
CONTACT	POSITION					
	P	T	OFF	ON	T	C
A11-B11	X	X				
A12-B12				X	X	
A1-B1						X
A5-B5	X	X	X	X	X	X
A6-B6	X	X	X	X	X	X
A7-B7				X	X	X
C11-D11	X	X	X	X	X	X
C12-D12				X	X	X
C1-D1						X
C5-C6	X	X	X	X	X	X
C6-C7				X	X	X
D5-D6	X	X	X	X	X	X
D6-D7				X	X	X

Note:  
Connectors Added to  
Obtain Contact A1-B1  
Closed in Close, Trip  
and Trip Pull Out  
Positions.

Top		
1	12	11 A
1	12	11 B
1	12	11 C
1	12	11 D

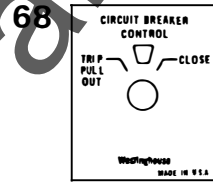
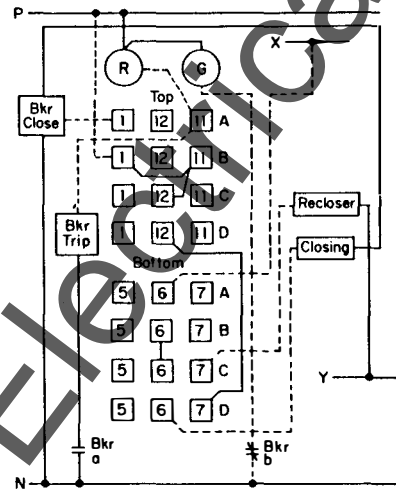
Bottom		
5	6	7 A
5 <td>6</td> <td>7 B</td>	6	7 B
5 <td>6</td> <td>7 C</td>	6	7 C
5 <td>6</td> <td>7 D</td>	6	7 D



**Circuit Breaker Control**

Style No. 505A718G01  
Handle: Pistol Grip Fixed  
Contacts: Momentary  
Stages: 2, Six Contact Frame  
Mounting: 1/8-1/4  
Target: Yes

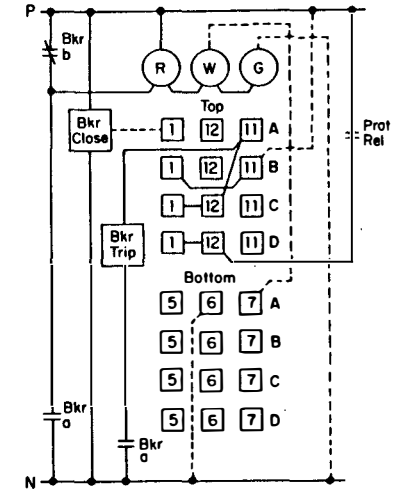
CONTACT	POSITION					
	P	T	OFF	ON	T	C
A11-B11	X	X				
A12-B12				X	X	
A1-B1						X
A5-B5	X	X	X	X	X	X
A6-B6	X	X	X	X	X	X
A7-B7				X	X	X
C11-D11	X	X	X	X	X	X
C12-D12				X	X	X
C1-D1						X
C5-C6	X	X	X	X	X	X
C6-C7	X	X	X	X	X	X
D5-D6	X	X	X	X	X	X
D6-D7				X	X	X



**Circuit Breaker Control**

Switch S#505A717G02  
(Pistol Grip Fixed Handle)  
Switch S#505A717G03  
(Oval Fixed Handle and No Connectors)  
Contacts: Momentary  
Stages: 2, Six Contact Frame  
Mounting: 1/8-1/4  
Target: Yes

CONTACT	POSITION					
	P	T	OFF	ON	T	C
A11-B11	X	X				
A12-B12				X	X	
A1-B1						X
A5-A6	X	X	X	X	X	X
A6-A7	X	X	X	X	X	X
B5-B5	X	X	X	X	X	X
B6-B7				X	X	X
C11-D11	X	X	X	X	X	X
C12-D12				X	X	X
C1-D1						X
C5-C6	X	X	X	X	X	X
C6-C7	X	X	X	X	X	X
D5-D6	X	X	X	X	X	X
D6-D7				X	X	X

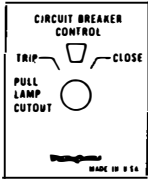


WWW.ELECTRONICALEIPARTS.COM



Position Tabulations, *Continued*

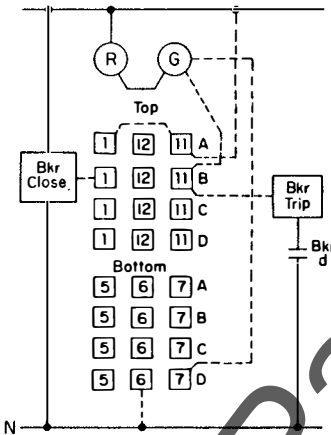
69



CONTACT	POSITION			
	P	T	OFF	C
A11-B11	X	X		
A12-B12			X	X
A1-B1				X
A5-B5	X	X		
A6-B6			X	X
A7-B7				X
C12-C1	X			
D12-D1	X	X	X	X
C6-C7	X			
D6-D7	X	X	X	X

**Circuit Breaker Control**

Switch S#505A720G01  
(Pistol Grip Fixed Handle)  
Switch S#505A720G03  
(Oval Fixed Handle)  
Contacts: Momentary  
Stages: 2, Six Contact Frame  
Mounting: 1/8-1/4  
Target: Yes  
No Connectors Furnished

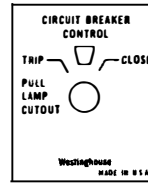


72

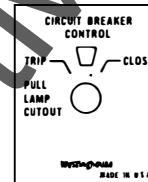
CONTACT	POSITION			
	P	T	OFF	C
A11-B11	X	X		
A12-B12			X	X
A1-B1				X
A5-B5	X	X		
A6-B6			X	X
A7-B7				X
C11-D11	X	X		
C12-D12			X	X
C1-D1				X
C5-C6	X	X	X	X
C6-C7			X	X
D5-D6	X	X	X	X
D6-D7			X	X
E12-E1	X			
F12-F1	X	X	X	X
E6-E7	X			
F6-F7	X	X	X	X

**Circuit Breaker Control**

Switch S#508A264G02  
(Pistol Grip Fixed Handle)  
Switch S#508A264G01  
(Oval Fixed Handle)  
Contacts: Momentary  
Stages: 3, Six Contact Frame  
Mounting: 1/8-1/4  
Target: Yes



73



**Circuit Breaker Control**

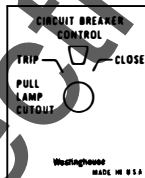
Style No. 508A281G02  
Handle: Pistol Grip Fixed  
Contacts: Momentary  
Stages: 4, Six Contact Frame  
Mounting: 1/8-1/4  
Target: Yes

70

CONTACT	POSITION			
	P	T	OFF	C
A11-B11	X	X		
A12-B12			X	X
A1-B1				X
A5-A6	X	X	X	X
A6-A7			X	X
B5-B6	X	X	X	X
B6-B7			X	X
C12-C1	X			
D12-D1	X	X	X	X
C6-C7	X			
D6-D7	X	X	X	X

**Circuit Breaker Control**

Switch S#508A244G01  
(Pistol Grip Fixed Handle)  
Switch S#508A244G02  
(Oval Fixed Handle)  
Contacts: Momentary  
Stages: 2, Six Contact Frame  
Mounting: 1/8-1/4  
Target: Yes



CONTACT	POSITION			
	PULL	T	OFF	MT
A11-B11	X	X		
A12-B12			X	X
A1-B1				X
A5-B5	X	X		
A6-B6			X	X
A7-B7				X
C11-D11	X	X		
C12-D12			X	X
C1-D1				X
C5-C6	X	X	X	X
C6-C7			X	X
D5-D6	X	X	X	X
D6-D7			X	X
E11-F11	X	X		
E12-F12			X	X
E1-F1				X
E5-E6	X	X	X	X
E6-E7			X	X
F5-F6	X	X	X	X
F6-F7			X	X
G12-G1	X			
H12-H1	X	X	X	X
G6-G7	X			
H6-H7	X	X	X	X

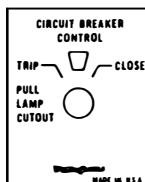
Top		
1	12	11 A
1	12	11 B
1	12	11 C
1	12	11 D
1	12	11 E
1	12	11 F
1	12	11 G
1	12	11 H
Bottom		
5	6	7 A
5	6	7 B
5	6	7 C
5	6	7 D
5	6	7 E
5	6	7 F
5	6	7 G
5	6	7 H

71

CONTACT	POSITION			
	P	T	OFF	C
A11-B11	X	X		
A12-B12			X	X
A1-B1				X
A5-A6	X	X	X	X
A6-A7			X	X
B5-B6	X	X	X	X
B6-B7			X	X
C11-D11	X	X		
C12-D12			X	X
C1-D1				X
C5-C6	X	X	X	X
C6-C7			X	X
D5-D6	X	X	X	X
D6-D7			X	X
E12-E1	X			
F12-F1	X	X	X	X
E6-E7	X			
F6-F7	X	X	X	X

**Circuit Breaker Control**

Switch S#508A262G01  
(Pistol Grip Fixed Handle)  
Switch S#508A262G03  
(Oval Fixed Handle)  
Contacts: Momentary  
Stages: 3, Six Contact Frame  
Mounting: 1/8-1/4  
Target: Yes

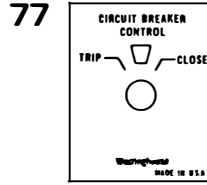
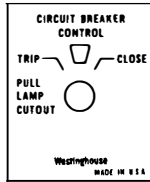


Position Tabulations, Continued

**74**

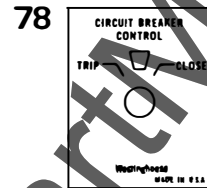
CONTACT	POSITION				
	PULL T	T	N	N	C
A11-B11	X	X			
A12-B12			X	X	
A1-B1					X
A5-A6	X	X	X		
A6-A7				X	X
B5-B6	X	X	X		
B6-B7				X	X
C11-D11	X	X			
C12-D12			X	X	
C1-D1					X
C5-C6	X	X	X		
C6-C7				X	X
D5-D6	X	X	X		
D6-D7				X	X
E11-F11	X	X			
E12-F12			X	X	
E1-F1					X
E5-E6	X	X	X		
E6-E7				X	X
F5-F6	X	X	X		
F6-F7				X	X
G12-G1	X				
H12-H1		X	X	X	X
G6-G7	X				
H6-H7		X	X	X	X

**Circuit Breaker Control**  
 Style No. 508A284G01  
 Handle: Pistol Grip Fixed  
 Contacts: Momentary  
 Stages: 4. Six Contact Frame  
 Mounting: 1/8-1/4  
 Target: Yes



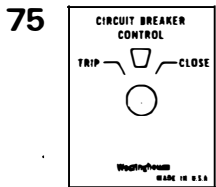
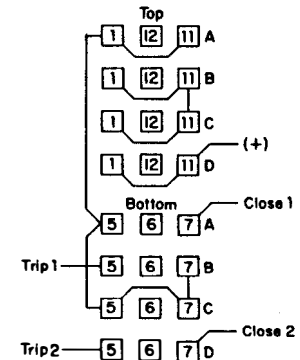
**Circuit Breaker Control**  
 Style No. 508A207G02  
 Handle: Pistol Grip Fixed  
 Contacts: Momentary  
 Stages: 1. Six Contact Frame  
 Mounting: 1/8-1/4  
 Target: Yes

CONTACT	POSITION		
	T	O	C
A11-B11	X		
A12-B12		X	
A1-B1			X
A5-B5	X		
A6-B6		X	
A7-B7			X



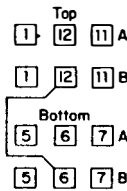
**Circuit Breaker Control**  
**For Operating Two Breakers**  
 Style No. 508A218G07  
 Handle: Pistol Grip Fixed  
 Contacts: Momentary  
 Stages: 2. Six Contact Frame  
 Mounting: 1/8-1/4  
 Target: Yes

CONTACT	POSITION		
	T	N	C
A11-B11	X		
A12-B12		X	
A1-B1			X
A5-B5	X		
A6-B6		X	
A7-B7			X
C11-D11	X		
C12-D12		X	
C1-D1			X
C5-D5	X		
C6-D6		X	
C7-D7			X



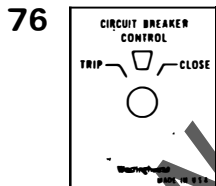
**Circuit Breaker Control**  
 Style No. 505A738G07  
 Handle: Pistol Grip Fixed  
 Contacts: Momentary  
 Stages: 1. Six Contact Frame  
 Mounting: 1/8-1/4  
 Target: Yes

CONTACT	POSITION				
	T	N	N	C	
A11-B11	X				
A12-B12		X	X		
A1-B1					X
A5-A6	X	X			
A6-A7			X	X	
B5-B6	X	X			
B6-B7			X	X	



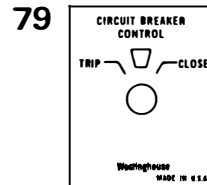
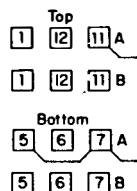
Tabulation of Switch With Extra Connectors Added.

A11-B11	X			
A1-B1				X
A5-A6	X	X		
A6-A7			X	X
A12-B5		X		
A12-B7			X	



**Circuit Breaker Control**  
 Style No. 802A231 G01  
 Handle: Pistol Grip Fixed  
 Contacts: Momentary  
 Stages: 1. Six Contact Frame  
 Mounting: 1/8-1/4  
 Target: Yes

CONTACT	POSITION				
	T	N	N	C	
A11-B11	X				
A12-B12		X	X		
A1-B1					X
A5-B5				X	
A6-B6				X	X
A7-B7	X				



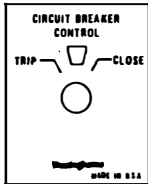
**Circuit Breaker Control**  
 Style No. 508A229G01  
 Handle: Pistol Grip Fixed  
 Contacts: Momentary  
 Stages: 2. Six Contact Frame  
 Mounting: 1/8-1/4  
 Target: Yes

CONTACT	POSITION				
	T	N	N	C	
A11-B11	X				
A12-B12		X	X		
A1-B1					X
A5-B5	X				
A6-B6		X	X		
A7-B7					X
C11-D11	X				
C12-D12		X	X		
C1-D1					X
C5-C6	X	X			
C6-C7			X	X	
D5-D6	X	X			
D6-D7			X	X	



Position Tabulations, *Continued*

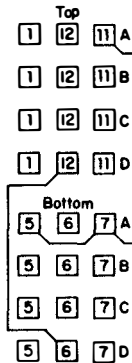
80



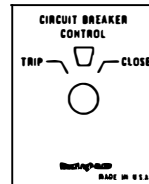
**Circuit Breaker Control**

Style No. 802A469G01  
Handle: Pistol Grip Fixed  
Contacts: Momentary  
Stages: 2, Six Contact Frame  
Mounting: 1/8-1/4  
Target: Yes

CONTACT	POSITION			
	T	N	N	C
	MT	MT		
A11-B11	X			
A12-B12		X	X	
A1-B1				X
A5-B5				X
A6-B6				
A7-B7	X			
C11-D11	X			
C12-D12		X	X	
C1-D1				X
C5-C6	X	X		
C6-C7			X	X
D5-D6	X	X		
D6-D7			X	X



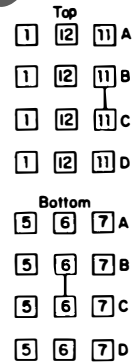
82



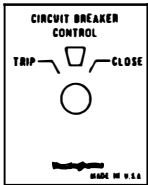
**Circuit Breaker Control**

Style No. 508A480G08  
Handle: Pistol Grip Fixed  
Contacts: Momentary  
Stages: 2, Six Contact Frame  
Mounting: 1/8-1/4  
Target: Yes

CONTACT	POSITION			
	T	N	N	C
	MT	MT		
A11-B11	X			
A12-B12		X	X	
A1-B1				X
A5-A6	X	X		
A6-A7			X	X
B5-B6	X	X		
B6-B7			X	X
C11-D11	X			
C12-D12		X	X	
C1-D1				X
C5-C6	X	X		
C6-C7			X	X
D5-D6	X	X		
D6-D7			X	X



81



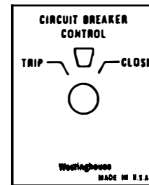
**Circuit Breaker Control**

Style No. 508A480G01  
Handle: Pistol Grip Fixed  
Contacts: Momentary  
Stages: 2, Six Contact Frame  
Mounting: 1/8-1/4  
Target: Yes

CONTACT	POSITION			
	T	N	N	C
	MT	MT		
A11-B11	X			
A12-B12		X	X	
A1-B1				X
A5-A6	X	X		
A6-A7			X	X
B5-B6	X	X		
B6-B7			X	X
C11-D11	X			
C12-D12		X	X	
C1-D1				X
C5-C6	X	X		
C6-C7			X	X
D5-D6	X	X		
D6-D7			X	X



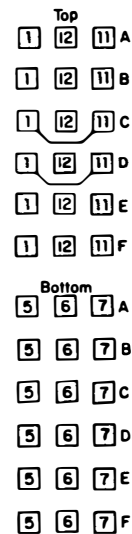
83



**Circuit Breaker Control**

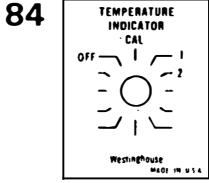
Style No. 508A255G03  
Handle: Pistol Grip Fixed  
Contacts: Momentary  
Stages: 3, Six Contact Frame  
Mounting: 1/8-1/4  
Target: Yes

CONTACT	POSITION			
	T	N	N	C
	MT	MT		
A11-B11	X			
A12-B12		X	X	
A1-B1				X
A5-B5	X	X		
A6-B6			X	X
A7-B7				X
C11-D11	X			
C12-D12		X	X	
C1-D1				X
C5-C6	X	X		
C6-C7			X	X
D5-D6	X	X		
D6-D7			X	X
E11-F11	X			
E12-F12		X	X	
E1-F1				X
E5-E6	X	X		
E6-E7			X	X
F5-F6	X	X		
F6-F7			X	X



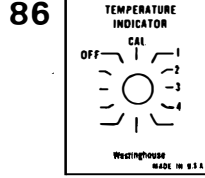
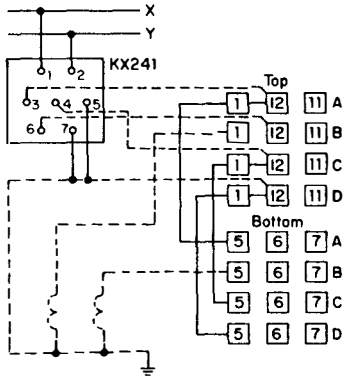
www.ElectricalParts.com

Position Tabulations, Continued



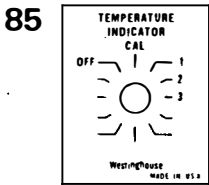
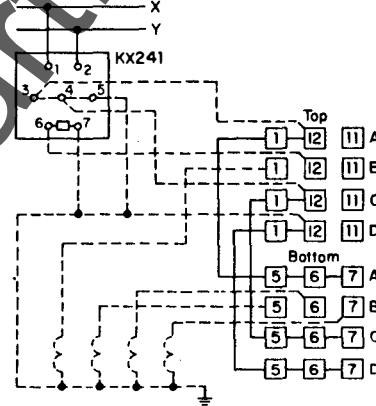
**Temperature**  
**Approximate Lead Compensation**  
 Style No. 505A710G03  
 Handle: Round, Fixed  
 Contacts: Maintained  
 Stages: 2, Six Contact Frame  
 Mounting: 1/8-1/4  
 Target: No

CONTACT	POSITION					
	0	-	C	1	1	2
A11-B11	X	X				
A12-B12	X	X	X	X		
A1-B1			X	X	X	
A5-B5				X	X	X
C11-D11	X					X
C12-D12			X			
C1-D1					X	
C5-D5						X



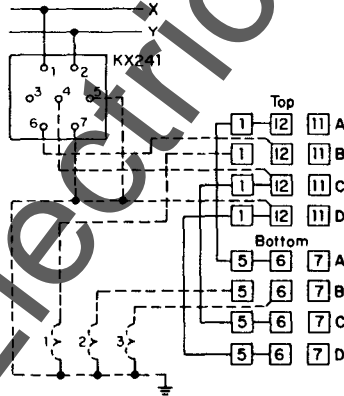
**Temperature**  
**Approximate Lead Compensation**  
 Style No. 505A710G01  
 Handle: Round, Fixed  
 Contacts: Maintained  
 Stages: 2, Six Contact Frame  
 Mounting: 1/8-1/4  
 Target: No

CONTACT	POSITION						
	0	-	C	1	1	2	3
A11-B11	X	X					
A12-B12	X	X	X	X			
A1-B1			X	X	X		
A5-B5				X	X	X	
A6-B6					X	X	X
A7-B7							X
C11-D11	X						X
C12-D12			X				
C1-D1					X		
C5-D5						X	
C6-D6							X
C7-D7							X



**Temperature**  
**Approximate Lead Compensation**  
 Style No. 505A710G06  
 Handle: Round, Fixed  
 Contacts: Maintained  
 Stages: 2, Six Contact Frame  
 Mounting: 1/8-1/4  
 Target: No

CONTACT	POSITION					
	0	-	C	1	2	3
A11-B11	X	X				
A12-B12	X	X	X	X		
A1-B1			X	X	X	
A5-B5				X	X	X
A6-B6					X	X
C11-D11	X					
C12-D12			X			
C1-D1				X		
C5-D5					X	
C6-D6						X

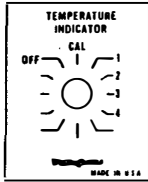


\* Note: Adjacent Overlap Contacts are Electrically Connected Together During Transfer.



Position Tabulations, *Continued*

87



Temperature

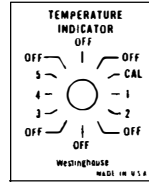
Approximate Lead Compensation

(R) Style No. 663A452G01  
Handle: Removable Key  
Contacts: Maintained  
Stages: 4, Six Contact Frame  
Mounting: 1/8-1/4  
Target: No

Ref. to Removable Key Handle S#505A765G03.  
Key Removable in OFF Position Only.  
S=240°

CONTACT	POSITION							
	OFF	C	-1	-2	-3	-4		
A11-B11	X							
A12-B12		X						
A1-B1			X					
A5-B5				X				
A6-B6					X			
A7-B7						X		
C11-D11	X	X						
C12-D12	X	X	X					
C1-D1		X	X	X				
C5-D5			X	X	X			
C6-D6				X	X	X		
C7-D7					X	X	X	
E11-F11	X	X						
E12-F12	X	X	X					
E1-F1		X	X	X				
E5-F5			X	X	X			
E6-F6				X	X	X		
E7-F7					X	X	X	
G11-H11	X	X						
G12-H12	X	X	X					
G1-H1		X	X	X				
G5-H5			X	X	X			
G6-H6				X	X	X		
G7-H7					X	X	X	

88



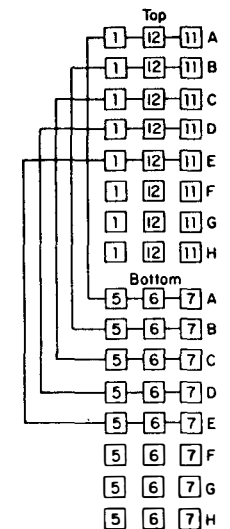
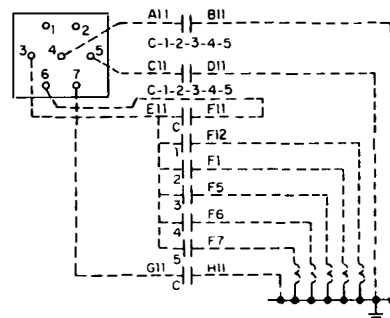
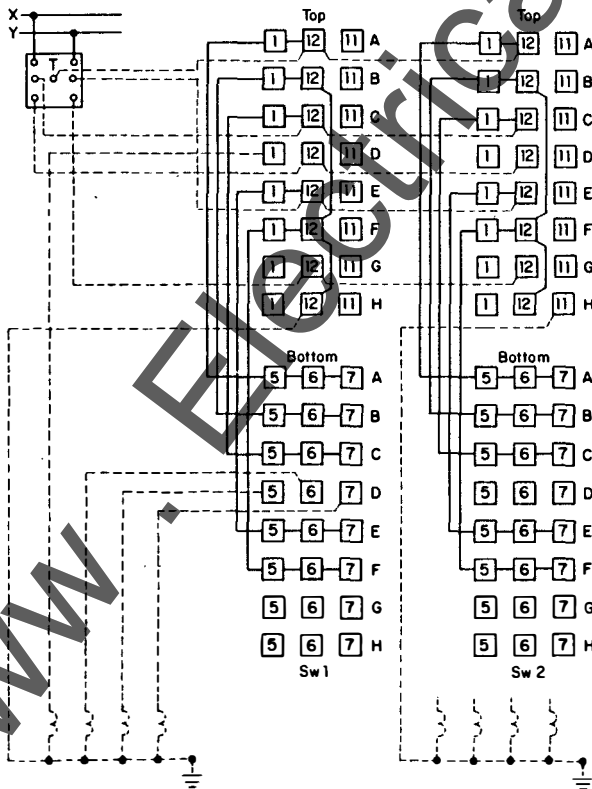
Temperature

Approximate Lead Compensation

(R) Style No. 800A279G01  
Handle: Removable Key  
Contacts: Maintained  
Stages: 4, Six Contact Frame  
Mounting: 1/8-1/4  
Target: No

Note:  
Key Handle Removable in OFF (12 O'clock) Position Only.  
Key Handle Not Furnished With Switch.  
Ref. to Key Handle S#505A765G03 (Round).  
S=270°

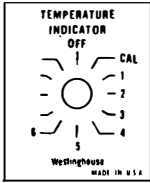
CONTACT	POSITION													
	0	1	0	0	C	-1	-2	-1	0	0	0	3	4	5
A11-B11					X									
A12-B12						X								
A1-B1							X							
A5-B5								X						
A6-B6									X					
A7-B7										X				
C11-D11					X	X	X							
C12-D12					X	X	X							
C1-D1					X	X	X							
C5-D5								X	X	X				
C6-D6									X	X	X			
C7-D7										X	X	X		
E11-F11					X	X	X							
E12-F12					X	X	X							
E1-F1					X	X	X							
E5-F5								X	X	X				
E6-F6									X	X	X			
E7-F7										X	X	X		
G11-H11					X	X	X							
G12-H12					X	X	X							
G1-H1					X	X	X							
G5-H5								X	X	X				
G6-H6									X	X	X			
G7-H7										X	X	X		



WWW.ElectricalPart.com

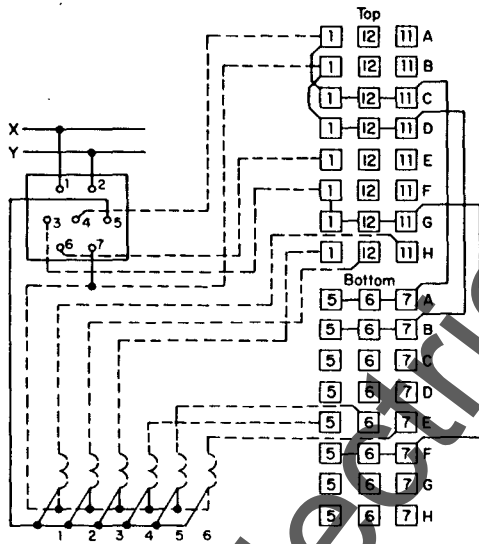
Position Tabulations, Continued

89

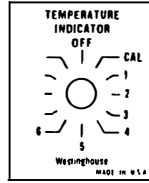


**Temperature**  
**Approximate Lead Compensation**  
 Style No. 663A488G02  
 Handle: Round, Fixed  
 Contacts: Maintained  
 Stages: 4, Six Contact Frame  
 Mounting: 1/8-1/4  
 Target: No

CONTACT	POSITION								
	0	-	C	1	2	3	4	5	6
A12-B12	X								
A1-B1			X						
A5-B5						X			
A6-B6								X	
A7-B7									X
C11-D11				X					
C12-D12					X				
C1-D1						X			
E12-F12	X	X							
E1-F1		X	X	X					
E5-F5						X	X	X	
E6-F6							X	X	X
E7-F7								X	X
G11-H11			X	X	X				
G12-H12				X	X	X			
G1-H1					X	X	X		



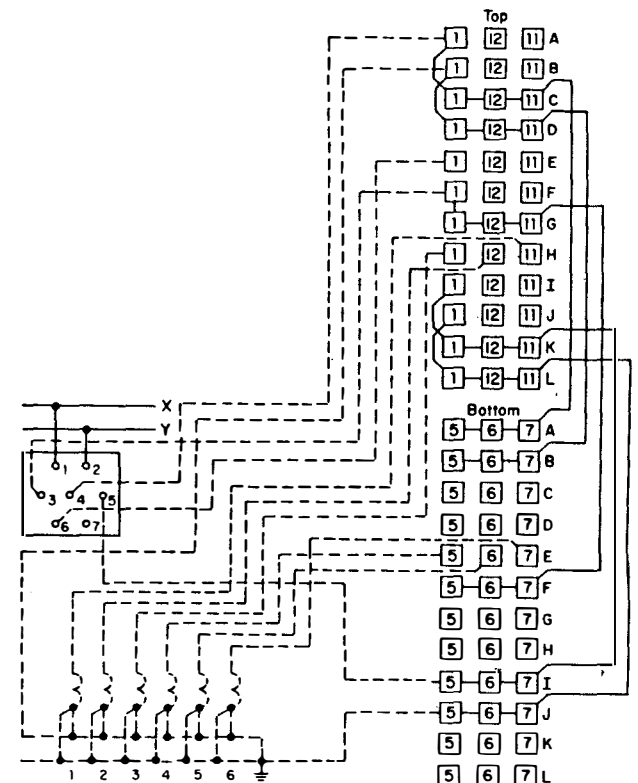
90



**Temperature**  
**Approximate Lead Compensation**  
 (R) Style No. 800A451G01  
 Handle: Removable Key  
 Contacts: Maintained  
 Stages: 6, Six Contact Frame  
 Mounting: 1/8-1/4  
 Target: No

**Note:**  
 Key Handle Removable in OFF Position Only.  
 Ref. to Key Handle S#505A765G03 (Round).  
 S=270°

CONTACT	POSITION								
	0	-	C	1	2	3	4	5	6
A12-B12	X								
A1-B1			X						
A5-B5							X		
A6-B6								X	
A7-B7									X
C11-D11				X					
C12-D12					X				
C1-D1						X			
E12-F12	X	X							
E1-F1		X	X	X					
E5-F5							X	X	X
E6-F6								X	X
E7-F7								X	X
G11-H11			X	X	X				
G12-H12				X	X	X			
G1-H1					X	X	X		
I12-J12	X	X							
I1-J1		X	X	X					
I5-J5							X	X	X
I6-J6								X	X
I7-J7									X
K11-L11			X	X	X				
K12-L12				X	X	X			
K1-L1					X	X	X		



\* Note: Adjacent Overlap Contacts are Electrically Connected Together During Transfer.

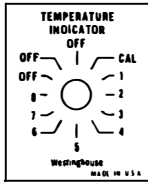
WWW.ElectricalParts.com





Position Tabulations, *Continued*

91

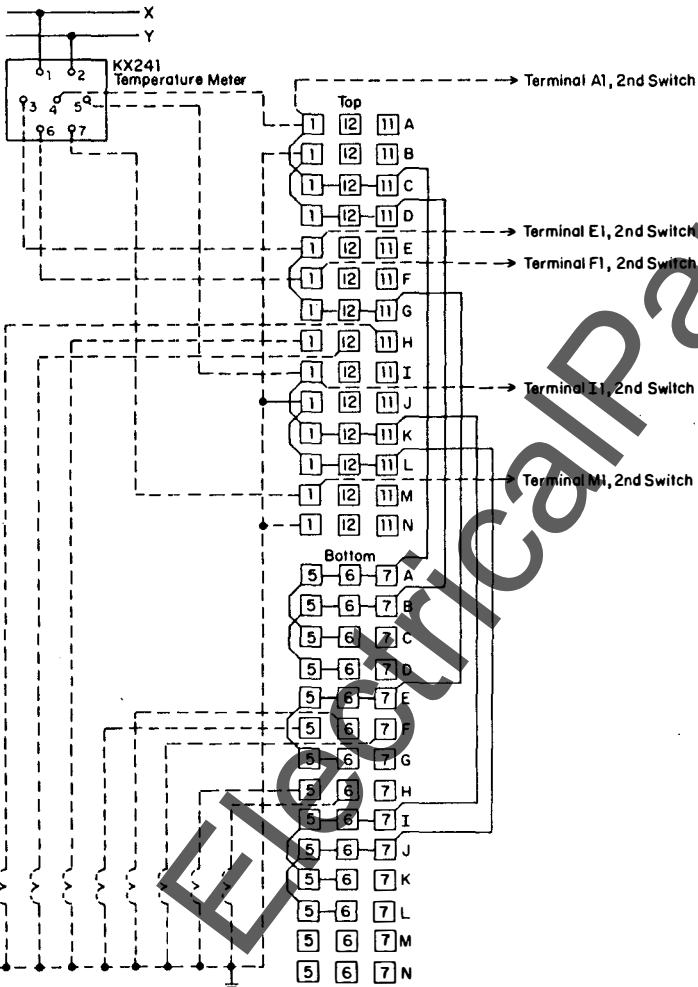


Temperature

Approximate Lead Compensation

(R) Style No. 663A453G03  
Handle: Removable Key  
Contacts: Maintained  
Stages: 7, Six Contact Frame  
Mounting: 1/8-1/4  
Target: No

**Note:**  
Key Handle Removable in OFF Position Only.  
Ref. to Key Handle S#505A765G03  
S=270°



CONTACT	POSITION								
	0	1	2	3	4	5	6	7	8
A11-B11									
A12-B12	X								
A1-B1		X							
A5-B5					X				
A6-B6						X			
A7-B7							X		
C11-D11			X						
C12-D12				X					
C1-D1					X				
C5-D5								X	
C6-D6									X
C7-D7									
E1-F11									
E12-F12	X	X							
E1-F1	X	X	X						
E5-F5					X	X	X		
E6-F6						X	X	X	X
E7-F7							X	X	X
G11-H11		X	X	X					
G12-H12			X	X	X				
G1-H1				X	X	X			
G5-H5								X	X
G6-H6									X
G7-H7									X

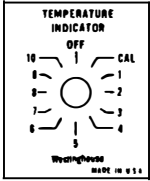
3rd Stage Shown  
5th-7th Stages  
(I-J, M-N) are  
Same

4th Stage Shown  
6th Stage (K-L)  
is Same

WWW.ElectricalPartManuals.com

Position Tabulations, Continued

92

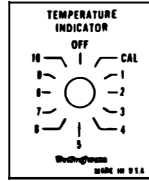


**Temperature**  
Approximate Lead Compensation

Style No. 663A488G01  
Handle: Round, Fixed  
Contacts: Maintained  
Stages: 4, Six Contact Frame  
Mounting: 1/8-1/4  
Target: No

CONTACT	POSITION											
	0	C	1	2	3	4	5	6	7	8	9	10
A11-B11												X
A12-B12	X											
A1-B1		X										
A5-B5						X						
A6-B6							X					
A7-B7								X				
C11-D11			X									
C12-D12				X								
C1-D1					X							
C5-D5								X				
C6-D6									X			
C7-D7										X		
E11-F11											X	X
E12-F12	X	X									X	X
E1-F1		X	X	X								
E5-F5						X	X	X				
E6-F6							X	X	X			
E7-F7								X	X	X		
G11-H11			X	X	X							
G12-H12				X	X	X						
G1-H1					X	X	X					
G5-H5							X	X	X			
G6-H6								X	X	X		
G7-H7									X	X	X	

93



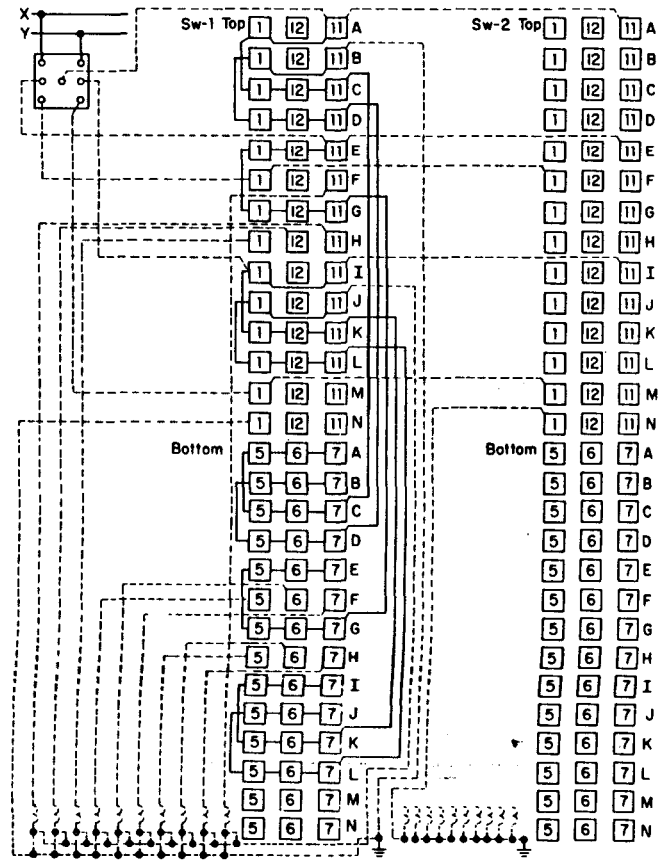
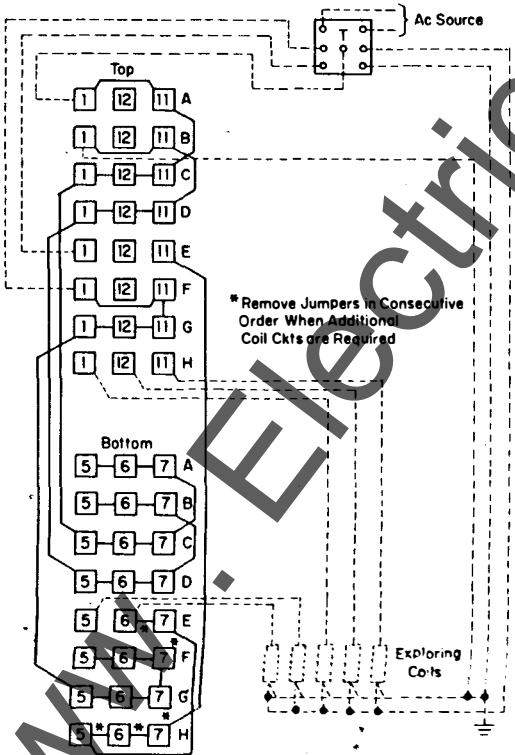
**Temperature**  
Approximate Lead Compensation

(R) Style No. 663A453G01  
Handle: Removable Key  
Contacts: Maintained  
Stages: 7, Six Contact Frame  
Mounting: 1/8-1/4  
Target: No

Note: Key Handle Removable in OFF Position Only.  
Ref. to Removable Key Handle S#505A765G03. S=270°

CONTACT	POSITION											
	0	C	1	2	3	4	5	6	7	8	9	10
A11-B11												X
A12-B12	X											
A1-B1		X										
A5-B5						X						
A6-B6							X					
A7-B7								X				
C11-D11			X									
C12-D12				X								
C1-D1					X							
C5-D5								X				
C6-D6									X			
C7-D7										X		
E11-F11											X	X
E12-F12	X	X									X	X
E1-F1		X	X	X								
E5-F5						X	X	X				
E6-F6							X	X	X			
E7-F7								X	X	X		
G11-H11			X	X	X							
G12-H12				X	X	X						
G1-H1					X	X	X					
G5-H5							X	X	X			
G6-H6								X	X	X		
G7-H7									X	X	X	

1st Stage  
2nd Stage  
3rd Stage Shown 5th-7th Duplicate  
4th Stage Shown 6th Duplicate

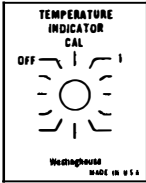




www.ElectricalPart.com

Position Tabulations, Continued

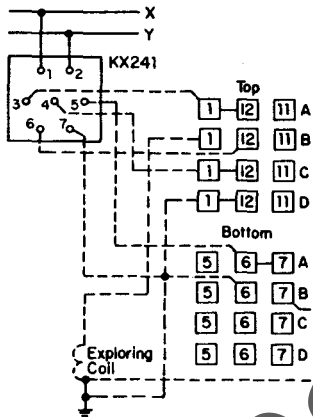
94



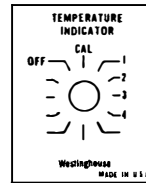
Temperature  
Accurate Lead Compensation

Style No. 781A254G01  
Handle: Round, Fixed  
Contacts: Maintained  
Stages: 2, Six Contact Frame  
Mounting: 1/8-1/4  
Target: No

CONTACT	POSITION			
	O	C	-	1
A11-B11	X	X		
A12-B12	X	X	X	X
A1-B1			X	X
A5-B5	X	X	X	X
A6-B6		X	X	X
A7-B7			X	X
C11-D11	X			
C12-D12		X		
C1-D1			X	X
C5-D5	X			
C6-D6		X	X	
C7-D7				X



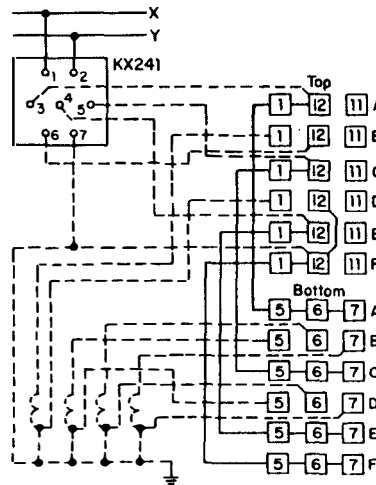
95



Temperature  
Accurate Lead Compensation

Style No. 505A709G01  
Handle: Round, Fixed  
Contacts: Maintained  
Stages: 3, Six Contact Frame  
Mounting: 1/8-1/4  
Target: No

CONTACT	POSITION			
	O	C	-	1
A11-B11	X	X		
A12-B12	X	X	X	X
A1-B1			X	X
A5-B5	X	X	X	X
A6-B6		X	X	X
A7-B7			X	X
C11-D11	X	X		
C12-D12		X	X	X
C1-D1			X	X
C5-D5	X		X	X
C6-D6		X	X	X
C7-D7			X	X
E11-F11	X			
E12-F12		X		
E1-F1			X	
E5-F5			X	
E6-F6				X
E7-F7				X

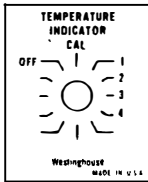


\* Note: Adjacent Overlap Contacts are Electrically Connected Together During Transfer.

www.ElectricalPart.com

Position Tabulations, *Continued*

96

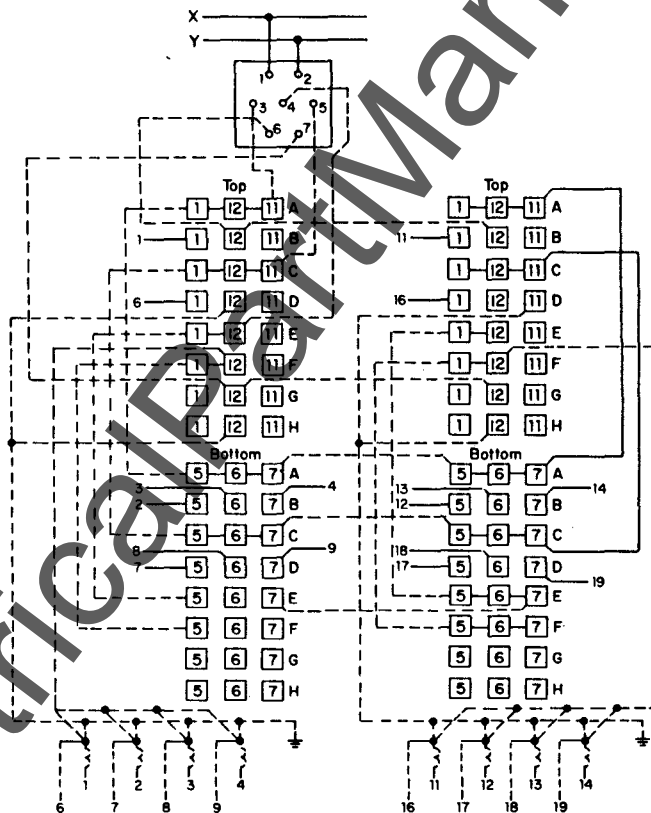


**Temperature**  
**Accurate Lead Compensation**

(R) Style No. 505A711G01  
Handle: Removable Key  
Contacts: Maintained  
Stages: 4, Six Contact Frame  
Mounting: 1/8-1/4  
Target: No

Key Handle Removable in OFF Position Only.  
Ref. to Removable Key Handle S#505A711G03.  
S=90°

CONTACT	POSITION				
	-	1	2	3	4
A11-B11	X	X			
A12-B12		X	X	X	
A1-B1			X	X	X
A5-B5				X	X
A6-B6				X	X
A7-B7				X	X
C11-D11	X	X			
C12-D12		X	X	X	
C1-D1			X	X	X
C5-D5			X	X	X
C6-D6			X	X	X
C7-D7				X	X
E11-F11	X				
E12-F12		X			
E1-F1			X		
E5-F5				X	
E6-F6				X	
E7-F7					X
G11-H11	X	X			
G12-H12		X	X	X	
G1-H1			X	X	X
G5-H5			X	X	X
G6-H6			X	X	X
G7-H7				X	X

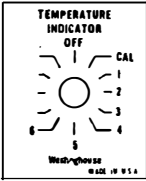


www.ElectricalManuals.com



Position Tabulations, *Continued*

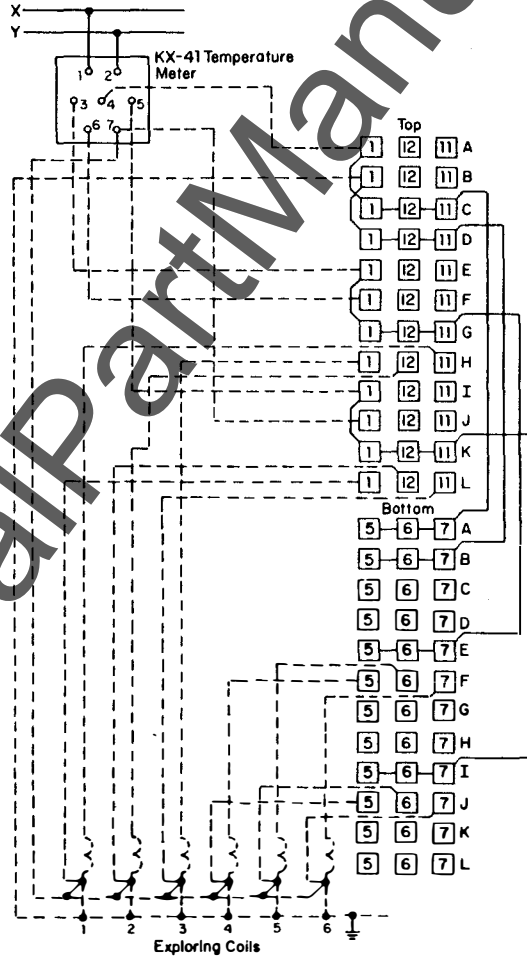
97



**Temperature**  
**Accurate Lead Compensation**

Style No. 661A210G06  
Handle: Round, Fixed  
Contacts: Maintained  
Stages: 6, Contact Frame  
Mounting: 1/8-1/4  
Target: No

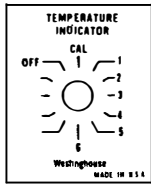
CONTACT	POSITION							
	0	C	1	2	3	4	5	6
A12-B12	X							
A1-B1		X						
A5-B5						X		
A6-B6							X	
A7-B7								X
C11-D11			X					
C12-D12				X				
C1-D1					X			
E12-F12	X	X						
E1-F1	X	X	X					
E5-F5					X	X	X	
E6-F6						X	X	X
E7-F7							X	X
G11-H11		X	X	X				
G12-H12			X	X	X			
G1-H1					X	X	X	
I12-J12	X	X	X					
I1-J1	X	X	X					
I5-J5					X	X	X	
I6-J6						X	X	X
I7-J7							X	X
K11-L11		X	X	X				
K12-L12			X	X	X			
K1-L1				X	X	X		



www.ElectricalPartManuals.com

Position Tabulations, *Continued*

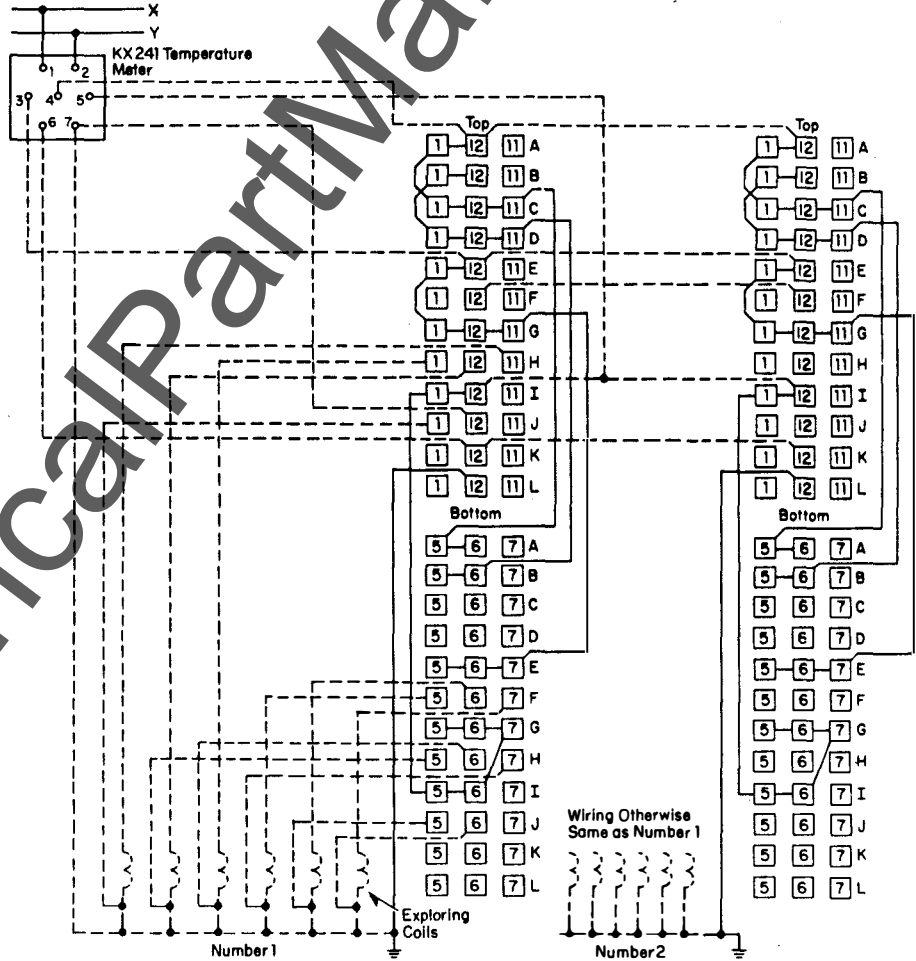
98



**Temperature**  
**Accurate Lead Compensation**  
 (R) Style No. 781 A489G01  
 Handle: Removable Key  
 Contacts: Maintained  
 Stages: 6, Six Contact Frame  
 Mounting: 1/8-1/4  
 Target: No

**Note:**  
 Key Handle Removable in OFF Position Only.  
 Key Handle Not Furnished With Switch.  
 Ref. to Key Handle S#505A765G03 (Round)  
 S=240°

CONTACT	POSITION															
	0	-	C	-	1	-	2	-	3	-	4	-	5	-	6	
A11-B11	X															
A12-B12			X													
A1-B1				X												
A5-B5													X			
A6-B6															X	
A7-B7																
C11-D11					X											
C12-D12						X										
C1-D1									X							
C5-D5					X											
C6-D6						X										
C7-D7								X								
E11-F11	X	X														
E12-F12		X	X	X												
E1-F1			X	X	X					X	X	X				
E5-F5										X	X	X				
E6-F6												X	X			
E7-F7														X	X	
G11-H11				X	X	X										
G12-H12					X	X	X									
G1-J1						X	X	X								
G5-H5				X	X	X										
G6-H6					X	X	X									
G7-H7						X	X	X								
I11-J11	X	X														
I12-J12		X	X	X												
I1-J1			X	X	X											
I5-J5								X	X	X						
I6-J6										X	X					
I7-J7												X	X			
K11-L11	X	X														
K12-L12		X	X	X												
K1-L1			X	X	X											
K5-L5								X	X	X						
K6-L6										X	X					
K7-L7											X	X				

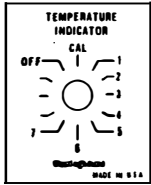


www.ElectricalPartManuals.com



Position Tabulations, *Continued*

99

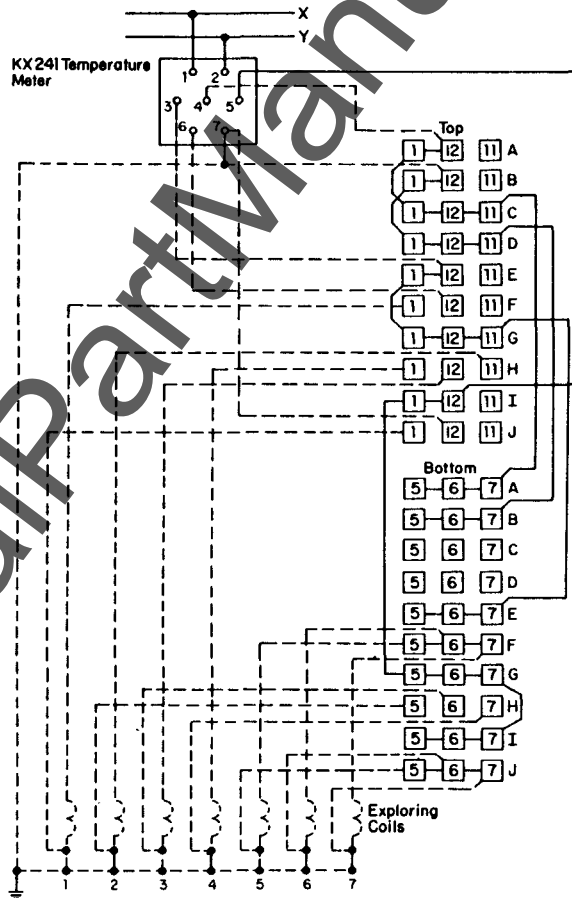


Temperature

Accurate Lead Compensation

Style No. 781A472G01  
Handle: Round, Fixed  
Contacts: Maintained  
Stages: 5, Six Contact Frame  
Mounting: 1/8-1/4  
Target: No

CONTACT	POSITION							
	0	1	2	3	4	5	6	7
A11-B11	X							
A12-B12		X						
A1-B1			X					
A5-B5					X			
A6-B6						X		
A7-B7							X	
C11-D11			X					
C12-D12				X				
C1-D1					X			
C5-D5			X					
C6-D6				X				
C7-D7					X			
E11-F11	X	X						
E12-F12	X	X	X					
E1-F1		X	X	X				
E5-F5					X	X	X	
E6-F6						X	X	X
E7-F7							X	X
G11-H11			X	X	X			
G12-H12				X	X	X		
G1-H1				X	X	X		
G5-H5			X	X	X			
G6-H6				X	X	X		
G7-H7					X	X	X	
I11-J11	X	X						
I12-J12	X	X	X					
I1-J1		X	X	X				
I5-J5					X	X	X	
I6-J6						X	X	X
I7-J7							X	X

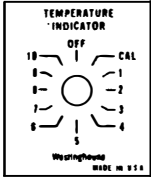


\* Note: Adjacent Overlap Contacts are Electrically Connected Together During Transfer.

www.ElectricalPLC.com

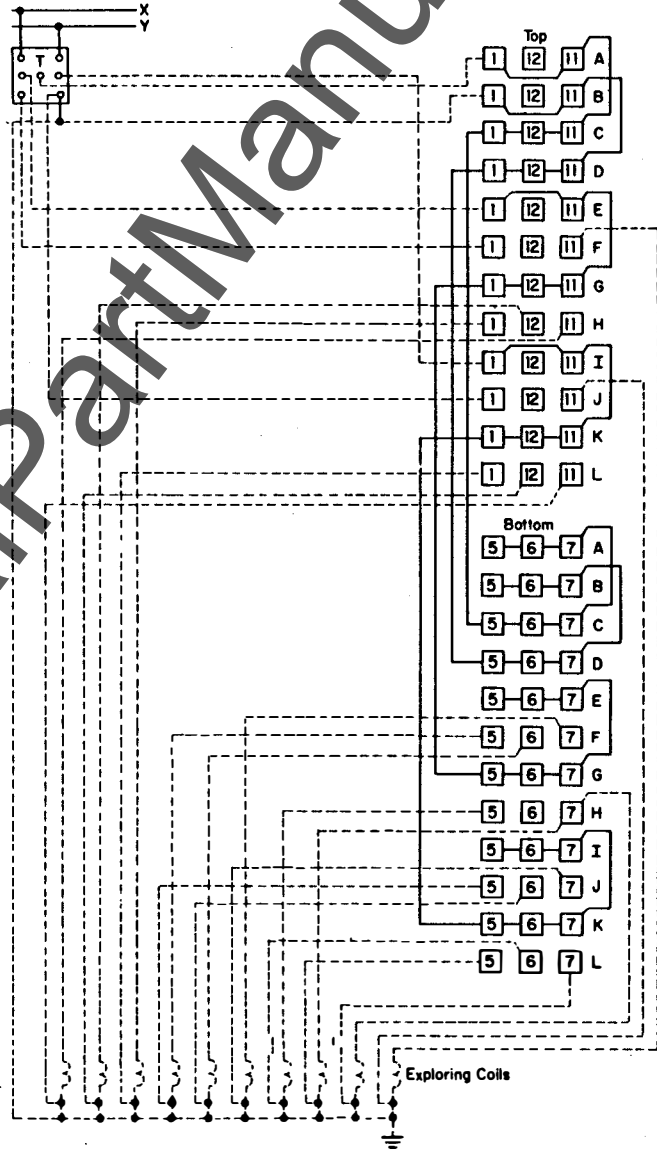
Position Tabulations, *Continued*

100



**Temperature**  
**Accurate Lead Compensation**  
Style No. 661A210G01  
Handle: Round, Fixed  
Contacts: Maintained  
Stages: 6, Six Contact Frame  
Mounting: 1/8-1/4  
Target: No

CONTACT	0	C	1	2	3	4	5	6	7	8	9	10
A11-B11												X
A12-B12	X											
A1-B1		X										
A5-B5					X							
A6-B6						X						
A7-B7							X					
C11-D11			X									
C12-D12				X								
C1-D1					X							
C5-D5								X				
C6-D6									X			
C7-D7										X		
E11-F11											X	X
E12-F12	X	X									X	X
E1-F1	X	X	X									
E5-F5					X	X	X					
E6-F6						X	X	X	X			
E7-F7							X	X	X			
G11-H11		X	X	X								
G12-H12			X	X	X							
G1-H1				X	X	X						
G5-H5							X	X	X			
G6-H6								X	X	X		
G7-H7								X	X	X		
J11-K11										X	X	X
J12-K12	X	X										X
J1-K1	X	X	X									
J5-K5					X	X	X					
J6-K6						X	X	X				
J7-K7							X	X	X			
L11-M11		X	X	X								
L12-M12			X	X	X							
L1-M1			X	X	X							
L5-M5						X	X	X				
L6-M6						X	X	X				
L7-M7						X	X	X				



\* Note: Adjacent Overlap Contacts are Electrically Connected Together During Transfer.

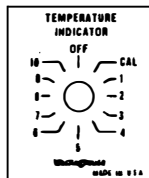
www.ElectricalPartManuals.com





Position Tabulations, *Continued*

101

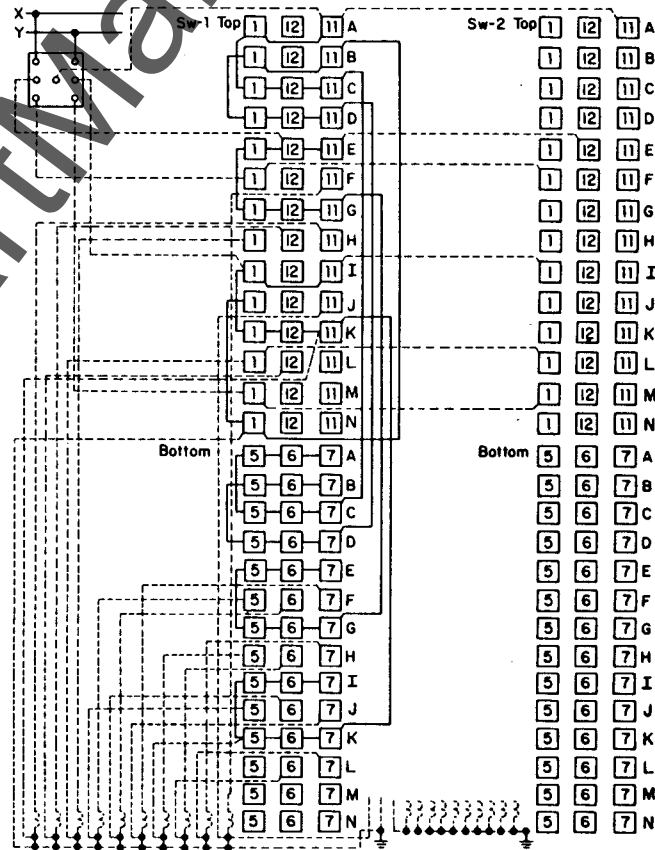


**Temperature**  
**Accurate Lead Compensation**

(R) Style No. 663A454G01  
Handle: Removable Key  
Contacts: Maintained  
Stages: 4, Six Contact Frame  
Mounting: 1/8-1/4  
Target: No

**Note:**  
Key Removable in OFF Position Only.  
Ref. to Removable Key Handle S#505A711G03  
S=120°

CONTACT	POSITION											
	0	C	1	2	3	4	5	6	7	8	9	10
A11-B11												X
A12-B12	X											
A1-B1		X										
A5-B5						X						
A6-B6							X					
A7-B7								X				
C11-D11			X									
C12-D12				X								
C1-D1					X							
C5-D5								X				
C6-D6									X			
C7-D7										X		
E11-F11											X	X
E12-F12	X	X									X	X
E1-F1		X	X									X
E5-F5					X	X	X					
E6-F6						X	X	X				
E7-F7							X	X	X			
G11-H11			X	X	X							
G12-H12				X	X	X						
G1-H1				X	X	X						
G5-H5							X	X	X			
G6-H6								X	X	X		
G7-H7									X	X	X	

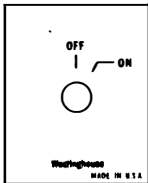


Note: Wiring for Sw-2 Same as for Sw-1.

www.ElectricalPartManuals.com

Position Tabulations, *Continued*

102

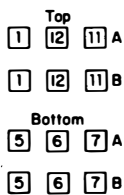


**OFF-ON Switch**

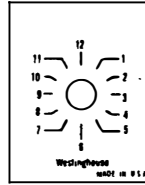
**Fixed Handle Maintained Momentary**  
 Oval 505A706G01 505A723G01  
 Pistol Grip 505A706G02 505A723G02  
 Round 505A706G03 505A723G03

Stage: 1, Six Contact Frame  
 Mounting: 1/8-1/4  
 Target: No

CONTACT	POSITION	
	OFF	ON
A11-B11		X
A12-B12	X	
A1-B1		X
A5-B5		X
A6-B6	X	
A7-B7		X



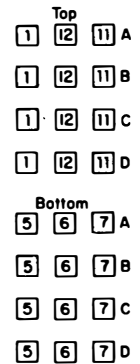
105



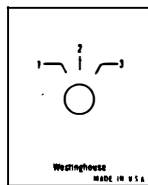
**Selector Switch**

Style No. 505A745G01  
 Handle: Oval Fixed  
 Contacts: Maintained  
 Stages: 2, Six Contact Frame  
 Mounting: 1/8-1/4  
 Target: No

CONTACT	POSITION									
	1	2	3	4	5	6	7	8	9	10
A11-B11	X									
A12-B12		X								
A1-B1			X							
A5-B5				X						
A6-B6						X				
A7-B7							X			
C11-D11		X								
C12-D12			X							
C1-D1				X						
C5-D5							X			
C6-D6								X		
C7-D7									X	



103

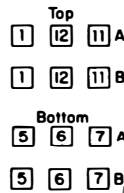


**Selector Switch**

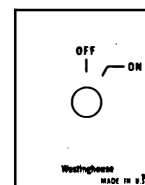
Style No. 505A702L03  
 Handle: Oval Fixed  
 Contacts: Maintained

Style No. 3745A75G23  
 Handle: Oval Fixed  
 Contacts: Momentary  
 Stages: 1, Six Contact Frame  
 Mounting: 1/8-1/4  
 Target: No

CONTACT	POSITION		
	1	2	3
A11-B11	X		
A12-B12		X	
A1-B1			X
A5-B5	X		
A6-B6		X	
A7-B7			X



106

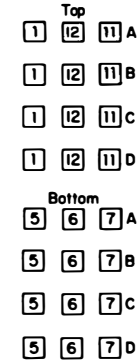


**OFF-ON Switch**

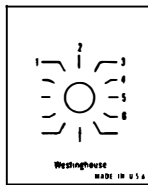
**Fixed Handle Maintained Momentary**  
 Oval 505A722G01 505A725G06  
 Pistol Grip 505A722G02 505A725G01  
 Round 505A722G03 505A725G11

Stage: 1, Six Contact Frame  
 Mounting: 1/8-1/4  
 Target: No

CONTACT	POSITION	
	OFF	ON
A11-B11		X
A12-B12	X	
A1-B1		X
A5-B5		X
A6-B6	X	
A7-B7		X
C11-D11		X
C12-D12	X	
C1-D1		X
C5-D5		X
C6-D6	X	
C7-D7		X



104



**Selector Switch**

Style No. 505A733G01  
 Handle: Oval Fixed  
 Contacts: Maintained  
 Stages: 1, Six Contact Frame  
 Mounting: 1/8-1/4  
 Target: No

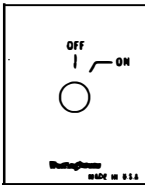
CONTACT	POSITION					
	1	2	3	4	5	6
A11-B11	X					
A12-B12		X				
A1-B1			X			
A5-B5				X		
A6-B6					X	
A7-B7						X





Position Tabulations, *Continued*

107



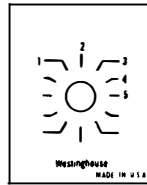
**OFF-ON Switch**

Style No. 505A781G03  
Handle: Oval Fixed  
Contacts: Maintained

Style No. 505A782G01  
Handle: Oval Fixed  
Contacts: Momentary  
Stages: 3, Six Contact Frame  
Mounting: 1/8-1/4  
Target: No

CONTACT	POSITION	
	OFF	ON
A11-B11		X
A12-B12	X	
A1-B1		X
A5-B5		X
A6-B6	X	
A7-B7		X
C11-D11		X
C12-D12	X	
C1-D1		X
C5-D5		X
C6-D6	X	
C7-D7		X
E11-F11		X
E12-F12	X	
E1-F1		X
E5-F5		X
E6-F6	X	
E7-F7		X

110



**General Application Switch**

1 Pole - 5 Throw

Style No. 505A733G18  
Handle: Oval Fixed  
Contacts: Maintained  
Stages: 1, Six Contact Frame  
Mounting: 1/8-1/4  
Target: No

CONTACT	POSITION				
	1	2	3	4	5
A11-B11	X				
A12-B12		X			
A1-B1			X		
A5-B5				X	
A6-B6					X

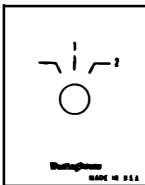
Top

1	12	11 A
---	----	------

Bottom

5	6	7 A
---	---	-----

108



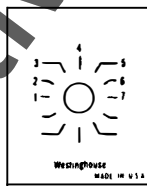
**General Application Switch**

1 and 2 Pole - 2 Throw

Style No. 505A706G55  
Handle: Oval Fixed  
Contacts: Maintained  
Stages: 1, Six Contact Frame  
Mounting: 1/8-1/4  
Target: No

CONTACT	POSITION	
	1	2
A11-B11		X
A12-B12	X	
A1-B1		X
A5-B5		X
A6-B6	X	
A7-B7		X

111



**General Application Switch**

1 Pole - 7 Throw

Style No. 505A745G17  
Handle: Oval Fixed  
Contacts: Maintained  
Stages: 2, Six Contact Frame  
Mounting: 1/8-1/4  
Target: No

CONTACT	POSITION						
	1	2	3	4	5	6	7
A11-B11			X				
A12-B12				X			
A1-B1					X		
C11-D11						X	
C12-D12							X
C6-D6	X						
C7-D7		X					

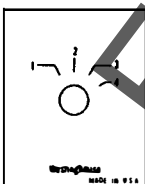
Top

1	12	11 A
---	----	------

Bottom

5	6	7 A
---	---	-----

109



**General Application Switch**

1 Pole - 4 Throw

Style No. 505A733G17  
Handle: Oval Fixed  
Contacts: Maintained  
Stages: 1, Six Contact Frame  
Mounting: 1/8-1/4  
Target: No

CONTACT	POSITION			
	1	2	3	4
A11-B11	X			
A12-B12		X		
A1-B1			X	
A5-B5				X

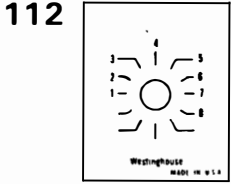
Top

1	12	11 A
---	----	------

Bottom

5	6	7 A
---	---	-----

Position Tabulations, *Continued*

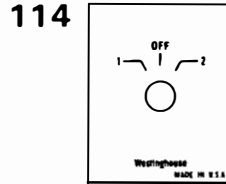


CONTACT	POSITION							
	1	2	3	4	5	6	7	8
A11-B11			X					
A12-B12				X				
A1-B1					X			
C11-D11						X		
C12-D12							X	
C1-D1								X
C6-D6	X							
C7-D7		X						

**General Application Switch**

1 Pole - 8 Throw  
 Style No. 505A745G18  
 Handle: Oval Fixed  
 Contacts: Maintained  
 Stages: 2, Six Contact Frame  
 Mounting: 1/8-1/4  
 Target: No

- Top
- 1 12 11 A
  - 1 12 11 B
  - 1 12 11 C
  - 1 12 11 D
- Bottom
- 5 6 7 A
  - 5 6 7 B
  - 5 6 7 C
  - 5 6 7 D

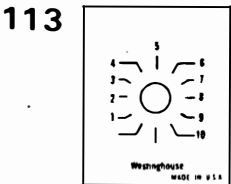


CONTACT	POSITION		
	1	0	2
A11-B11	X		
A12-B12		X	
A1-B1			X
A5-B5	X		
A6-B6		X	
A7-B7			X

**General Application Switch**

1 Pole or 2 Pole With OFF  
 Style No. 505A702L02  
 Handle: Oval Fixed  
 Contacts: Maintained  
 Style No. 505A703G51  
 Handle: Oval Fixed  
 Contacts: Momentary  
 Stages: 1, Six Contact Frame  
 Mounting: 1/8-1/4  
 Target: No

- Top
- 1 12 11 A
  - 1 12 11 B
- Bottom
- 5 6 7 A
  - 5 6 7 B

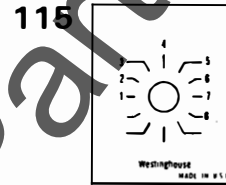


CONTACT	POSITION									
	1	2	3	4	5	6	7	8	9	10
A11-B11			X							
A12-B12				X						
A1-B1					X					
C11-D11						X				
C12-D12							X			
C1-D1								X		
A5-B5										X
C5-D5	X									
C6-D6		X								
C7-D7			X							

**General Application Switch**

1 Pole - 10 Throw  
 Style No. 505A745G19  
 Handle: Oval Fixed  
 Contacts: Maintained  
 Stages: 2, Six Contact Frame  
 Mounting: 1/8-1/4  
 Target: No

- Top
- 1 12 11 A
  - 1 12 11 B
  - 1 12 11 C
  - 1 12 11 D
- Bottom
- 5 6 7 A
  - 5 6 7 B
  - 5 6 7 C
  - 5 6 7 D



CONTACT	POSITION							
	1	2	3	4	5	6	7	8
A11-B11			X					
A12-B12				X				
A1-B1					X			
C11-D11						X		
C12-D12							X	
C1-D1								X
C6-D6	X							
C7-D7		X						
E11-F11			X					
E12-F12				X				
E1-F1					X			
G11-H11						X		
G12-H12							X	
G1-H1								X
G6-H6	X							
G7-H7		X						

**General Application Switch**

2 Pole - 8 Throw  
 Style No. 508A423G16  
 Handle: Oval Fixed  
 Contacts: Maintained  
 Stages: 4, Six Contact Frame  
 Mounting: 1/8-1/4  
 Target: No

- Top
- 1 12 11 A
  - 1 12 11 B
  - 1 12 11 C
  - 1 12 11 D
  - 1 12 11 E
  - 1 12 11 F
  - 1 12 11 G
  - 1 12 11 H
- Bottom
- 5 6 7 A
  - 5 6 7 B
  - 5 6 7 C
  - 5 6 7 D
  - 5 6 7 E
  - 5 6 7 F
  - 5 6 7 G
  - 5 6 7 H

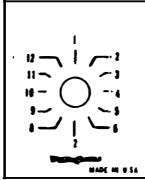
www.ElectricalBooks.com



WWW.ELECTRICALPARTS.COM

Position Tabulations, Continued

116

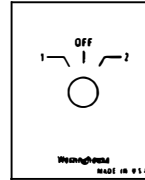


General Application Switch

2 Pole - 12 Throw  
Style No. 508A423G17  
Handle: Oval Fixed  
Contacts: Maintained  
Stages: 4, Six Contact Frame  
Mounting: 1/8-1/4  
Target: No

CONTACT	POSITION										
	1	2	3	4	5	6	7	8	9	10	11
A11-B11	X										
A12-B12		X									
A1-B1			X								
A5-B5						X					
A6-B6							X				
A7-B7								X			
C11-D11				X							
C12-D12					X						
C1-D1						X					
C5-D5								X			
C6-D6									X		
C7-D7										X	
E11-F11	X										X
E12-F12		X									
E1-F1			X								
E5-F5						X					
E6-F6							X				
E7-F7								X			
G11-H11				X							
G12-H12					X						
G1-H1						X					
G5-H5								X			
G6-H6									X		
G7-H7										X	

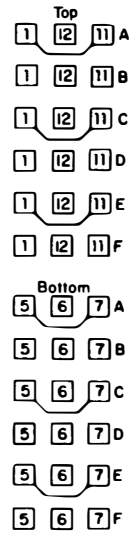
118



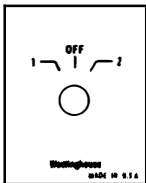
General Application Switch

6 Pole - 2 Throw  
Style No. 505A726G14  
Handle: Oval Fixed  
Contacts: Maintained  
Style No. 505A727G15  
Handle: Oval Fixed  
Contacts: Momentary  
Stages: 3, Six Contact Frame  
Mounting: 1/8-1/4  
Target: No

CONTACT	POSITION	
	1	2
A11-B11	X	
A12-B12		X
A1-B1		X
A5-B5	X	
A6-B6		X
A7-B7		X
C11-D11	X	
C12-D12		X
C1-D1		X
C5-D5	X	
C6-D6		X
C7-D7		X
E11-F11	X	
E12-F12		X
E1-F1		X
E5-F5	X	
E6-F6		X
E7-F7		X



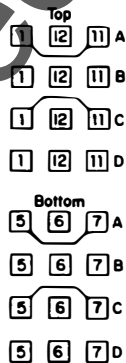
117



General Application Switch

4 Pole - 2 Throw  
Style No. 505A712G92  
Handle: Oval Fixed  
Contacts: Maintained  
Style No. 505A715G32  
Handle: Oval Fixed  
Contacts: Momentary  
Stages: 2, Six Contact Frame  
Mounting: 1/8-1/4  
Target: No

CONTACT	POSITION	
	1	2
A11-B11	X	
A12-B12		X
A1-B1		X
A5-B5	X	
A6-B6		X
A7-B7		X
C11-D11	X	
C12-D12		X
C1-D1		X
C5-D5	X	
C6-D6		X
C7-D7		X



WWW.ELECTRICALPARTS.COM

## Basic Switches-Style Numbers

Basic switches do not include handle, nameplate nor external jumpers; these items may be ordered separately. For handles see page 2, nameplates see page 9 and external jumpers see page 9. For complete switch style including handle, nameplate and jumpers, refer to Switchgear Component Sales, East Pittsburgh Division.

## Momentary Contacts

Figure	Basic Switch	Target	Handle
119	505A623G01	No	Fixed
119	663A177G01	No	Removable Key
120	505A668G01	No	Fixed
122	505A607G01	No	Fixed
123	505A625G01	No	Fixed
124	505A624G01	No	Fixed
125	505A684G01	No	Fixed
126	505A603G01	No	Fixed
126	508A107G01	Yes	Fixed
126	663A195G01	No	Removable Key
127	508A110G01	No	Fixed
128	508A111G01	No	Fixed
128	505A638G01	Yes	Fixed
129	505A615G01	No	Fixed
129	508A118G01	Yes	Fixed
130	508A125G01	No	Fixed
131	508A127G01	No	Fixed
132	508A128G01	No	Fixed
132	508A129G01	Yes	Fixed
133	508A133G01	No	Fixed
133	505A620G01	Yes	Fixed
134	508A143G01	No	Fixed
134	508A144G01	Yes	Fixed
135	505A627G01	No	Fixed
135	508A145G01	Yes	Fixed
136	508A189G01	No	Fixed
136	508A161G01	Yes	Fixed
137	508A162G01	Yes	Fixed
138	508A163G01	No	Fixed
138	508A164G01	Yes	Fixed
139	505A619G01	Yes	Fixed
140	508A167G01	Yes	Fixed
141	505A630G01	No	Fixed
142	508A181G01	Yes	Fixed
143	508A183G01	No	Fixed
143	508A184G01	Yes	Fixed
144	505A632G01	No	Fixed
157	505A651G01	No	Fixed
158	658A542G01	No	Fixed
159	658A578G01	No	Fixed
161	505A661G01	Yes	Fixed
162	508A342G01	Yes	Fixed
167	508A344G01	No	Fixed

## Maintained Contacts

Figure	Basic Switch	Target	Handle	Figure	Basic Switch	Target	Handle
119	505A606G01	No	Fixed	146	508A199G01	No	Fixed
119	505A647G01	No	Removable Key	146	508A300G01	No	Removable Key
120	505A667G01	No	Fixed	147	505A633G01	No	Fixed
120	505A669G01	No	Removable Key	148	508A302G01	No	Fixed
121	508A396G01	No	Fixed	149	508A363G01	No	Fixed
122	505A634G01	No	Fixed	150	508A307G01	No	Fixed
122	505A654G01	No	Removable Key	150	508A308G01	No	Removable Key
123	505A622G01	No	Fixed	151	508A310G01	No	Fixed
123	505A670G01	No	Removable Key	151	508A311G01	No	Removable Key
124	505A621G01	No	Fixed	152	508A314G01	No	Fixed
124	505A672G01	No	Removable Key	152	508A370G01	No	Removable Key
125	505A628G01	No	Fixed	153	508A317G01	No	Fixed
125	505A685G01	No	Removable Key	154	505A645G01	No	Fixed
126	505A602G01	No	Fixed	154	508A320G01	No	Removable Key
126	508A108G01	No	Removable Key	155	508A323G01	No	Fixed
127	505A600G01	No	Fixed	155	781A181G01	No	Removable Key
127	661A105G01	No	Removable Key	156	508A326G01	No	Fixed
128	781A377G01	Yes	Fixed	157	505A650G01	No	Fixed
128	508A112G01	No	Removable Key	157	661A152G01	No	Removable Key
129	505A612G01	No	Fixed	158	505A659G01	No	Fixed
129	508A119G01	No	Removable Key	158	661A150G01	No	Removable Key
130	508A124G01	No	Fixed	159	505A660G01	No	Fixed
131	508A126G01	No	Fixed	159	663A176G01	No	Removable Key
133	658A594G01	Yes	Fixed	160	508A334G01	No	Fixed
135	505A626G01	No	Fixed	160	663A175G01	No	Removable Key
135	508A146G01	No	Removable Key	167	508A343G01	No	Fixed
140	508A166G01	No	Fixed	167	781A123G01	No	Removable Key
141	505A664G01	No	Fixed	168	508A351G01	No	Fixed
144	505A631G01	No	Fixed	169	505A644G01	No	Fixed
144	508A173G01	No	Removable Key	169	663A340G01	No	Removable Key
145	508A196G01	No	Fixed				
145	781A167G01	No	Removable Key				

⊖ Spring return to "12" position.

⊕ If key is desired, the following must be specified:

(a) Shape of handle.

(b) If to be interchangeable with other keys, specify the position or positions in which the key is to be removable and the style of the existing switch.

(c) If the key is to be removable in a different position than indicated for the basic switch, or is to be non-interchangeable with other key handles, order the basic switch as "similar to" a style number and give specific requirements.

⊖ Key removable in "12" position.

⊖ Key removable in "11" position.

⊖ Key removable in "10" position.



Com

Additional Position Tabulations

**119**

CONTACT	POSITION	
	I2	I
A11-B11	X	X
A12-B12	X	X
A1-B1	X	X
A5-B5	X	X
A6-B6	X	X
A7-B7	X	X

**125**

CONTACT	POSITION	
	I2	I
A11-B11	X	X
A12-B12	X	X
A1-B1	X	X
A5-B5	X	X
A6-B6	X	X
A7-B7	X	X
C11-D11	X	X
C12-D12	X	X
C1-D1	X	X
C5-D5	X	X
C6-D6	X	X
C7-D7	X	X
E11-F11	X	X
E12-F12	X	X
E1-F1	X	X
E5-F5	X	X
E6-F6	X	X
E7-F7	X	X

**129**

CONTACT	POSITION	
	I1	I2
A11-B11	X	X
A12-B12	X	X
A1-B1	X	X
A5-B5	X	X
A6-B6	X	X
A7-B7	X	X
C11-D11	X	X
C12-D12	X	X
C1-D1	X	X
C5-D5	X	X
C6-D6	X	X
C7-D7	X	X

**133**

CONTACT	POSITION			
	P	I1	I2	I
A11-B11	X	X	X	X
A12-B12	X	X	X	X
A1-B1	X	X	X	X
A5-B5	X	X	X	X
A6-B6	X	X	X	X
A7-B7	X	X	X	X
C12-C1	X	X	X	X
D12-D1	X	X	X	X
C6-C7	X	X	X	X
D6-D7	X	X	X	X

**137**

CONTACT	POSITION			
	P	I1	I2	A
A11-B11	X	X	X	X
A12-B12	X	X	X	X
A1-B1	X	X	X	X
A5-A6	X	X	X	X
A6-A7	X	X	X	X
B5-B6	X	X	X	X
B6-B7	X	X	X	X
C11-D11	X	X	X	X
C12-D12	X	X	X	X
C1-D1	X	X	X	X
C5-C6	X	X	X	X
C6-C7	X	X	X	X
D5-D6	X	X	X	X
D6-D7	X	X	X	X
E12-E1	X	X	X	X
F12-F1	X	X	X	X
E6-E7	X	X	X	X
F6-F7	X	X	X	X

**120**

CONTACT	POSITION	
	I2	I
A11-B11	X	X
A12-B12	X	X
A1-B1	X	X
A5-B5	X	X
A6-B6	X	X
A7-B7	X	X

**126**

CONTACT	POSITION	
	I1	I2
A11-B11	X	X
A12-B12	X	X
A1-B1	X	X
A5-B5	X	X
A6-B6	X	X
A7-B7	X	X

**130**

CONTACT	POSITION		
	I1	I2	I
A11-B11	X	X	X
A12-B12	X	X	X
A1-B1	X	X	X
A5-B5	X	X	X
A6-B6	X	X	X
A7-B7	X	X	X
C11-D11	X	X	X
C12-D12	X	X	X
C1-D1	X	X	X
C5-B5	X	X	X
C6-B6	X	X	X
C7-D7	X	X	X

**134**

CONTACT	POSITION			
	P	I1	I2	A
A11-B11	X	X	X	X
A12-B12	X	X	X	X
A1-B1	X	X	X	X
A5-A6	X	X	X	X
A6-A7	X	X	X	X
B5-B6	X	X	X	X
B6-B7	X	X	X	X
C12-C1	X	X	X	X
D12-D1	X	X	X	X
C6-C7	X	X	X	X
D6-D7	X	X	X	X

**121**

CONTACT	POSITION	
	I2	I
A11-B11	X	X
A12-B12	X	X
A1-B1	X	X
A5-B5	X	X
A6-B6	X	X
A7-B7	X	X

**127**

CONTACT	POSITION		
	I1	I2	I
A11-B11	X	X	X
A12-B12	X	X	X
A1-B1	X	X	X
A5-B5	X	X	X
A6-B6	X	X	X
A7-B7	X	X	X

**131**

CONTACT	POSITION		
	I1	I2	I
A11-B11	X	X	X
A12-B12	X	X	X
A1-B1	X	X	X
A5-B5	X	X	X
A6-B6	X	X	X
A7-B7	X	X	X
C11-D11	X	X	X
C12-D12	X	X	X
C1-D1	X	X	X
C5-D5	X	X	X
C6-D6	X	X	X
C7-D7	X	X	X

**135**

CONTACT	POSITION	
	I1	I2
A11-B11	X	X
A12-B12	X	X
A1-B1	X	X
A5-B5	X	X
A6-B6	X	X
A7-B7	X	X
C11-D11	X	X
C12-D12	X	X
C1-D1	X	X
C5-D5	X	X
C6-D6	X	X
C7-D7	X	X
E11-F11	X	X
E12-F12	X	X
E1-F1	X	X
E5-F5	X	X
E6-F6	X	X
E7-F7	X	X

**138**

CONTACT	POSITION			
	P	I1	I2	A
A11-B11	X	X	X	X
A12-B12	X	X	X	X
A1-B1	X	X	X	X
A5-B5	X	X	X	X
A6-B6	X	X	X	X
A7-B7	X	X	X	X
C11-D11	X	X	X	X
C12-D12	X	X	X	X
C1-D1	X	X	X	X
C5-C6	X	X	X	X
C6-C7	X	X	X	X
D5-D6	X	X	X	X
D6-D7	X	X	X	X
E12-E1	X	X	X	X
F12-F1	X	X	X	X
E6-E7	X	X	X	X
F6-F7	X	X	X	X

**122**

CONTACT	POSITION	
	I2	I
A11-B11	X	X
A12-B12	X	X
A1-B1	X	X
A5-B5	X	X
A6-B6	X	X
A7-B7	X	X

**132**

CONTACT	POSITION		
	I1	I2	I
A11-B11	X	X	X
A12-B12	X	X	X
A1-B1	X	X	X
A5-B5	X	X	X
A6-B6	X	X	X
A7-B7	X	X	X
C11-D11	X	X	X
C12-D12	X	X	X
C1-D1	X	X	X
A5-A6	X	X	X
C6-C7	X	X	X
C7-D7	X	X	X
D6-D7	X	X	X

**136**

CONTACT	POSITION			
	P	I1	I2	I
A11-B11	X	X	X	X
A12-B12	X	X	X	X
A1-B1	X	X	X	X
A5-B5	X	X	X	X
A6-B6	X	X	X	X
A7-B7	X	X	X	X
C12-C1	X	X	X	X
D12-D1	X	X	X	X
C6-C7	X	X	X	X
D6-D7	X	X	X	X
C5-C6	X	X	X	X
E12-E1	X	X	X	X
F12-F1	X	X	X	X
E6-E7	X	X	X	X
F6-F7	X	X	X	X

**139**

CONTACT	POSITION			
	P	I1	I2	I
A11-B11	X	X	X	X
A12-B12	X	X	X	X
A1-B1	X	X	X	X
A5-A6	X	X	X	X
A6-A7	X	X	X	X
B5-B6	X	X	X	X
B6-B7	X	X	X	X
C11-D11	X	X	X	X
C12-D12	X	X	X	X
C1-D1	X	X	X	X
C5-C6	X	X	X	X
C6-C7	X	X	X	X
D5-D6	X	X	X	X
D6-D7	X	X	X	X
E11-F11	X	X	X	X
E12-F12	X	X	X	X
E1-F1	X	X	X	X
E5-E6	X	X	X	X
E6-E7	X	X	X	X
F5-F6	X	X	X	X
F6-F7	X	X	X	X

**124**

CONTACT	POSITION	
	I2	I
A11-B11	X	X
A12-B12	X	X
A1-B1	X	X
A5-B5	X	X
A6-B6	X	X
A7-B7	X	X
C11-D11	X	X
C12-D12	X	X
C1-D1	X	X
C5-D5	X	X
C6-D6	X	X
C7-D7	X	X

**128**

CONTACT	POSITION		
	I1	I2	I
A11-B11	X	X	X
A12-B12	X	X	X
A1-B1	X	X	X
A5-A6	X	X	X
A6-A7	X	X	X
B5-B6	X	X	X
B6-B7	X	X	X

\* Adjacent overlap contacts are electrically connected together during transfer.

com

Additional Position Tabulations, Continued

**140**

CONTACT	POSITION		
	11	12	1
A11-B11	X		
A12-B12	X	X	
A1-B1			X
A5-B5	X		
A6-B6	X	X	
A7-B7			X
C11-D11	X		
C12-D12	X	X	
C1-D1			X
C5-D5	X		
C6-D6	X	X	
C7-D7			X
E12-E1			X
F12-F1	X	X	X
E6-E7			X
F6-F7	X	X	X

**143**

CONTACT	POSITION			
	11	12	1A	1
A11-B11	X	X		
A12-B12	X		X	X
A1-B1				X
A5-A6	X	X	X	
A6-A7			X	X
B5-B6	X	X	X	
B6-B7			X	X
C11-D11	X	X		
C12-D12	X	X		
C1-D1			X	X
C5-C6	X	X	X	
C6-C7			X	X
D5-D6	X	X	X	
D6-D7			X	X
E11-F11	X	X		
E12-F12			X	X
E1-F1			X	X
E5-E6	X	X	X	
E6-E7			X	X
F5-F6	X	X	X	
F6-F7			X	X
G12-G1			X	X
H12-H1	X	X	X	X
G6-G7	X			
H6-H7	X	X	X	X

**145**

CONTACT	POSITION		
	11	12	1
A11-B11	X		
A12-B12		X	
A1-B1			X
A5-B5	X		
A6-B6	X		
A7-B7			X
C11-D11	X		
C12-D12	X		
C1-D1			X
C5-D5	X		
C6-D6		X	
C7-D7			X
E11-F11	X		
E12-F12	X		
E1-F1			X
E5-F5	X		
E6-F6	X		
E7-F7			X
G11-H11	X		
G12-H12	X		
G1-H1			X
G5-H5	X		
G6-H6	X		
G7-H7			X
I11-J11	X		
I12-J12	X		
I1-J1			X
I5-J5	X		
I6-J6	X		
I7-J7			X
K11-L11	X		
K12-L12	X		
K1-L1			X
K5-L5	X		
K6-L6	X		
K7-L7			X

**148**

CONTACT	POSITION			
	11	12	1	2
A11-B11	X	X		
A12-B12	X	X		
A1-B1			X	X
A5-B5			X	X
A6-B6			X	X
A7-B7			X	X

**149**

CONTACT	POSITION			
	11	12	1	2
A11-B11	X	X		
A12-B12	X	X		
A1-B1			X	X
A5-B5			X	X
A6-B6			X	X
A7-B7			X	X
C11-D11	X	X	X	X
C12-D12	X	X	X	X
C1-D1	X	X	X	X
C5-D5	X	X	X	X
C6-D6	X	X	X	X
C7-D7	X	X	X	X
E11-F11	X	X		
E12-F12	X	X		
E1-F1			X	X
E5-F5			X	X
E6-F6			X	X
E7-F7			X	X

**141**

CONTACT	POSITION		
	11	12	1
A11-B11	X		
A12-B12	X		
A1-B1			X
A5-B5	X		
A6-B6	X		
A7-B7			X
C11-D11	X		
C12-D12	X		
C1-D1			X
C5-D5	X		
C6-D6	X		
C7-D7			X
E11-F11	X		
E12-F12	X		
E1-F1			X
E5-F5	X		
E6-F6	X		
E7-F7			X
G11-H11	X		
G12-H12	X		
G1-H1			X
G5-H5	X		
G6-H6	X		
G7-H7			X

**144**

CONTACT	POSITION		
	11	12	1
A11-B11	X		
A12-B12	X		
A1-B1			X
A5-B5	X		
A6-B6	X		
A7-B7			X
C11-D11	X		
C12-D12	X		
C1-D1			X
C5-D5	X		
C6-D6	X		
C7-D7			X
E11-F11	X		
E12-F12	X		
E1-F1			X
E5-F5	X		
E6-F6	X		
E7-F7			X
G11-H11	X		
G12-H12	X		
G1-H1			X
G5-H5	X		
G6-H6	X		
G7-H7			X
I11-J11	X		
I12-J12	X		
I1-J1			X
I5-J5	X		
I6-J6	X		
I7-J7			X

**146**

CONTACT	POSITION			
	10	11	12	1
A11-B11	X	X	X	
A12-B12	X	X	X	
A1-B1				X
A5-B5	X	X	X	
A6-B6			X	X
A7-B7			X	X
C11-D11	X	X	X	X
C12-D12	X	X	X	X
C1-D1	X	X	X	X
C5-D5	X	X	X	X
C6-D6	X	X	X	X
C7-D7	X	X	X	X
E11-F11	X			
E12-F12	X			
E1-F1				X
E5-F5	X			
E6-F6			X	
E7-F7			X	

**150**

CONTACT	POSITION			
	11	12	1	2
A11-B11	X			
A12-B12	X			
A1-B1			X	
A5-B5			X	
A6-B6			X	
A7-B7			X	
C11-D11	X			
C12-D12	X			
C1-D1			X	
C5-D5			X	
C6-D6			X	
C7-D7			X	
E11-F11	X			
E12-F12	X			
E1-F1			X	
E5-F5			X	
E6-F6			X	
E7-F7			X	

**142**

CONTACT	POSITION			
	11	12	1A	1
A11-B11	X	X		
A12-B12	X	X		
A1-B1				X
A5-B5	X	X		
A6-B6	X	X	X	
A7-B7				X
C11-D11	X	X		
C12-D12	X	X		
C1-D1				X
C5-C6	X	X	X	
C6-C7	X	X	X	
D5-D6	X	X	X	
D6-D7			X	X
E11-F11	X	X		
E12-F12	X	X		
E1-F1			X	X
E5-E6	X	X	X	
E6-E7	X	X	X	
E6-E7	X	X	X	
F6-F7	X	X	X	
G12-G1	X	X	X	
H12-H1	X	X	X	
G6-G7	X			
H6-H7	X	X	X	

**147**

CONTACT	POSITION			
	11	12	1	2
A11-B11	X			
A12-B12	X			
A1-B1			X	
A5-B5			X	
A6-B6			X	
A7-B7			X	

**151**

CONTACT	POSITION			
	11	12	1	2
A11-B11	X	X		
A12-B12	X	X		
A1-B1			X	X
A5-B5			X	X
A6-B6			X	X
A7-B7			X	X
C11-D11	X	X		
C12-D12	X	X		
C1-D1			X	X
C5-D5			X	X
C6-D6			X	X
C7-D7			X	X
E11-F11	X	X		
E12-F12	X	X		
E1-F1			X	X
E5-F5			X	X
E6-F6			X	X
E7-F7			X	X

\* Adjacent overlap contacts are electrically connected together during transfer.





www.ElectronicPartManuals.com

Additional Position Tabulations, Continued

**152**

CONTACT	POSITION			
	11	12	1	2
A11-B11	X			
A12-B12	X			
A1-B1		X		
A5-B5	X			
A6-B6		X		
A7-B7			X	
C11-D11			X	
C12-D12				X
C1-D1				X
C5-D5			X	
C6-D6				X
C7-D7				X
E11-F11	X			
E12-F12	X			
E1-F1		X		
E5-F5	X			
E6-F6	X			
E7-F7		X		
G11-H11			X	
G12-H12				X
G1-H1				X
G5-H5			X	
G6-H6				X
G7-H7				X

**154**

CONTACT	POSITION											
	11	12	1	2	3	4	5	6	7	8	9	10
A11-B11	X											
A12-B12	X											
A1-B1		X										
A5-B5						X						
A6-B6							X					
A7-B7								X				
C11-D11			X						X			
C12-D12				X								
C1-D1					X							
C5-D5									X			
C6-D6										X		
C7-D7											X	

**155**

CONTACT	POSITION											
	11	12	1	2	3	4	5	6	7	8	9	10
A11-B11	X											
A12-B12	X											
A1-B1		X										
A5-B5						X						
A6-B6							X					
A7-B7								X				
C11-D11			X						X			
C12-D12				X								
C1-D1					X							
C5-D5									X			
C6-D6										X		
C7-D7											X	
E11-F11	X											
E12-F12	X											
E1-F1		X										
E5-F5						X						
E6-F6							X					
E7-F7								X				
G11-H11			X									
G12-H12				X								
G1-H1					X							
G5-H5									X			
G6-H6										X		
G7-H7											X	

**157**

CONTACT	POSITION	
	12	1
A11-B11	X	
A12-B12	X	
A1-B1	X	
A2-B2	X	
A3-B3	X	
A4-B4	X	
A5-B5	X	
A6-B6	X	
A7-B7	X	
A8-B8	X	
A9-B9	X	
A10-B10	X	

**153**

CONTACT	POSITION			
	11	12	1	2
A11-B11	X			
A12-B12	X			
A1-B1		X		
A5-B5	X			
A6-B6	X			
A7-B7		X		
C11-D11			X	
C12-D12				X
C1-D1				X
C5-D5			X	
C6-D6				X
C7-D7				X
E11-F11	X			
E12-F12	X			
E1-F1		X		
E5-F5	X			
E6-F6	X			
E7-F7		X		
G11-H11			X	
G12-H12				X
G1-H1				X
G5-H5			X	
G6-H6				X
G7-H7				X
I11-J11	X			
I12-J12	X			
I1-J1		X		
I5-J5	X			
I6-J6	X			
I7-J7	X			
K11-L11	X			
K12-L12	X			
K1-L1		X		
K5-L5			X	
K6-L6				X
K7-L7				X

**156**

CONTACT	POSITION															
	11	12	1	2	3	4	5	6	7	8	9	10	11	12	1	2
A11-B11	X															
A12-B12	X		X	X												
A1-B1		X	X	X	X	X										
A5-B5							X	X	X							
A6-B6								X	X	X						
A7-B7									X	X	X					
C11-D11	X	X	X	X	X	X	X	X	X	X	X	X	X	X	X	X
C12-D12	X	X	X	X	X	X	X	X	X	X	X	X	X	X	X	X
C1-D1	X	X	X	X	X	X	X	X	X	X	X	X	X	X	X	X
C5-D5	X	X	X	X	X	X	X	X	X	X	X	X	X	X	X	X
C6-D6	X	X	X	X	X	X	X	X	X	X	X	X	X	X	X	X
C7-D7	X	X	X	X	X	X	X	X	X	X	X	X	X	X	X	X
E11-F11	X															
E12-F12	X															
E1-F1		X	X	X												
E5-F5							X	X	X							
E6-F6								X	X	X						
E7-F7									X	X	X					
G11-H11				X	X	X										
G12-H12					X	X	X									
G1-H1						X	X	X								
G5-H5							X	X	X							
G6-H6								X	X	X						
G7-H7									X	X	X					
I11-J11	X	X	X	X	X	X	X	X	X	X	X	X	X	X	X	X
I12-J12	X	X	X	X	X	X	X	X	X	X	X	X	X	X	X	X
I1-J1	X	X	X	X	X	X	X	X	X	X	X	X	X	X	X	X
I5-J5	X	X	X	X	X	X	X	X	X	X	X	X	X	X	X	X
I6-J6	X	X	X	X	X	X	X	X	X	X	X	X	X	X	X	X
I7-J7	X	X	X	X	X	X	X	X	X	X	X	X	X	X	X	X
K11-L11	X	X	X	X	X	X										
K12-L12	X	X	X	X	X	X										
K1-L1			X	X	X											
K5-L5							X	X	X							
K6-L6										X	X	X				
K7-L7												X	X	X		

**158**

CONTACT	POSITION	
	12	1
A12-B12	X	
A1-B1	X	
A2-B2	X	
A3-B3	X	
A4-B4	X	
A5-B5	X	
A6-B6	X	
A7-B7	X	
A8-B8	X	
A9-B9	X	
A10-B10	X	
A11-B11	X	
C12-D12	X	
C1-D1	X	
C2-D2	X	
C3-D3	X	
C4-D4	X	
C5-D5	X	
C6-D6	X	
C7-D7	X	
C8-D8	X	
C9-D9	X	
C10-D10	X	
C11-D11	X	

**159**

CONTACT	POSITION	
	11	12
A11-B11	X	
A12-B12	X	
A1-B1		X
A2-B2	X	
A3-B3	X	
A4-B4		X
A5-B5	X	
A6-B6	X	
A7-B7		X
A8-B8	X	
A9-B9	X	
A10-B10	X	

www.ElectronicPartManuals.com

Additional Position Tabulations. *Continued*

**160**

CONTACT	POSITION		
	11	12	1
A11-B11	X		
A12-B12		X	
A1-B1			X
A2-B2	X		X
A3-B3		X	
A4-B4			X
A5-B5	X		
A6-B6		X	
A7-B7			X
A8-B8	X		
A9-B9		X	
A10-B10			X
C11-D11	X		
C12-D12		X	
C1-D1			X
C2-D2	X		
C3-D3		X	
C4-D4			X
C5-D5	X		
C6-D6		X	
C7-D7			X
C8-D8	X		
C9-D9		X	
C10-D10			X

**161**

CONTACT	POSITION			
	P	11	12	1
A11-B11	X	X		
A12-B12			X	X
A1-B1				X
A2-B2	X	X		
A3-B3			X	X
A4-B4				X
A5-A6	X	X	X	
A6-A7			X	X
B5-B6	X	X	X	
B6-B7			X	X
A8-A9	X	X	X	
A9-A10			X	X
B8-B9	X	X	X	
B9-B10			X	X

**162**

CONTACT	POSITION			
	P	11	12	1
A11-B11	X	X		
A12-B12			X	X
A1-B1				X
A2-B2	X	X		
A3-B3			X	X
A4-B4				X
A5-A6	X	X	X	
A6-A7			X	X
B5-B6	X	X	X	
B6-B7			X	X
A8-A9	X	X	X	
A9-A10			X	X
B8-B9	X	X	X	
B9-B10			X	X
C12-C1	X			
D12-D1	X	X	X	X
C2-C3	X			
D2-D3	X	X	X	X
C4-C5	X			
D4-D5	X	X	X	X
C6-C6	X			
D6-D7	X	X	X	X
C8-C9	X			
D8-D9	X	X	X	X
C10-C11	X			
D10-D11	X	X	X	X

**163**

CONTACT	POSITION		
	11	12	1
A11-B11	X		
A12-B12		X	
A1-B1			X
A2-B2		X	X
A3-B3	X		
A4-B4		X	
A5-B5		X	
A6-B6			X
A7-B7	X		
A8-B8	X		
A9-B9		X	
A10-B10			X

**164**

CONTACT	POSITION			
	10	11	12	1
A10-B10	X			
A11-B11		X		
A12-B12			X	X
A1-B1				X
A2-B2				X
A3-B3				X
A4-B4	X			
A5-B5				X
A6-B6			X	
A7-B7			X	
A8-B8				X
A9-B9				X

**165**

CONTACT	POSITION										
	2	1	2	3	4	5	6	7	8	9	10
A12-B12	X										
A1-B1		X									
A2-B2			X								
A3-B3				X							
A4-B4					X						
A5-B5						X					
A6-B6							X				
A7-B7								X			
A8-B8									X		
A9-B9										X	
A10-B10											X
A11-B11											X

www.ElectricalPartManuals.com

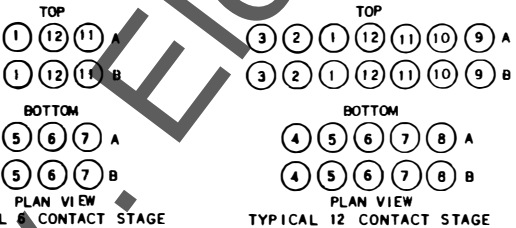


This form is available through your Westinghouse office or Westinghouse Electric Supply Company location.

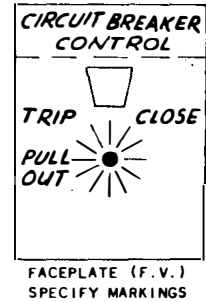
Form 34219 (For ordering switches not covered in this publication or to outline desired modifications)

SWITCH POSITION TABULATION  
TYPE W2 SWITCH-DESCRIPTIVE BULLETIN 34-251  
WESTINGHOUSE FORM 34219

SWITCH STYLE NO.		PURCHASER		G. O. NO.		ENG.		DATE	
505A717G02		John Doe		A2XZY					
SWITCH POSITION TABULATION (Front View)									
CONTACT	POSITION								
	PULL	TRIP	OFF	AFT	CLOSE				
	T		T	C					
A11-B11	X	X							
A12-B12			X	X					
A1-B1					X				
A5-A6	X	X	X						
A6-A7				X	X				
B5-B6	X	X	X						
B6-B7				X	X				
C11-D11	X	X							
C12-D12			X	X					
C1-D1					X				
C5-C6	X	X	X						
C6-C7				X	X				
D5-D6	X	X	X						
D6-D7				X	X				



Remarks or Additional Data:



CONTACTS: Momentary - ~~Maintained~~  
 HANDLE: Fixed - ~~Removable-Key~~  
~~Over~~ - Round - Pistol Grip  
 MOUNTING: 1/8 - 1/4 - 1 - 1 1/2 - 2, \_\_\_\_\_ Thick Panel  
 TARGET: Yes - No  
 STAGE CONTACTS: 6 - 12



www.ElectricalPartManuals.com