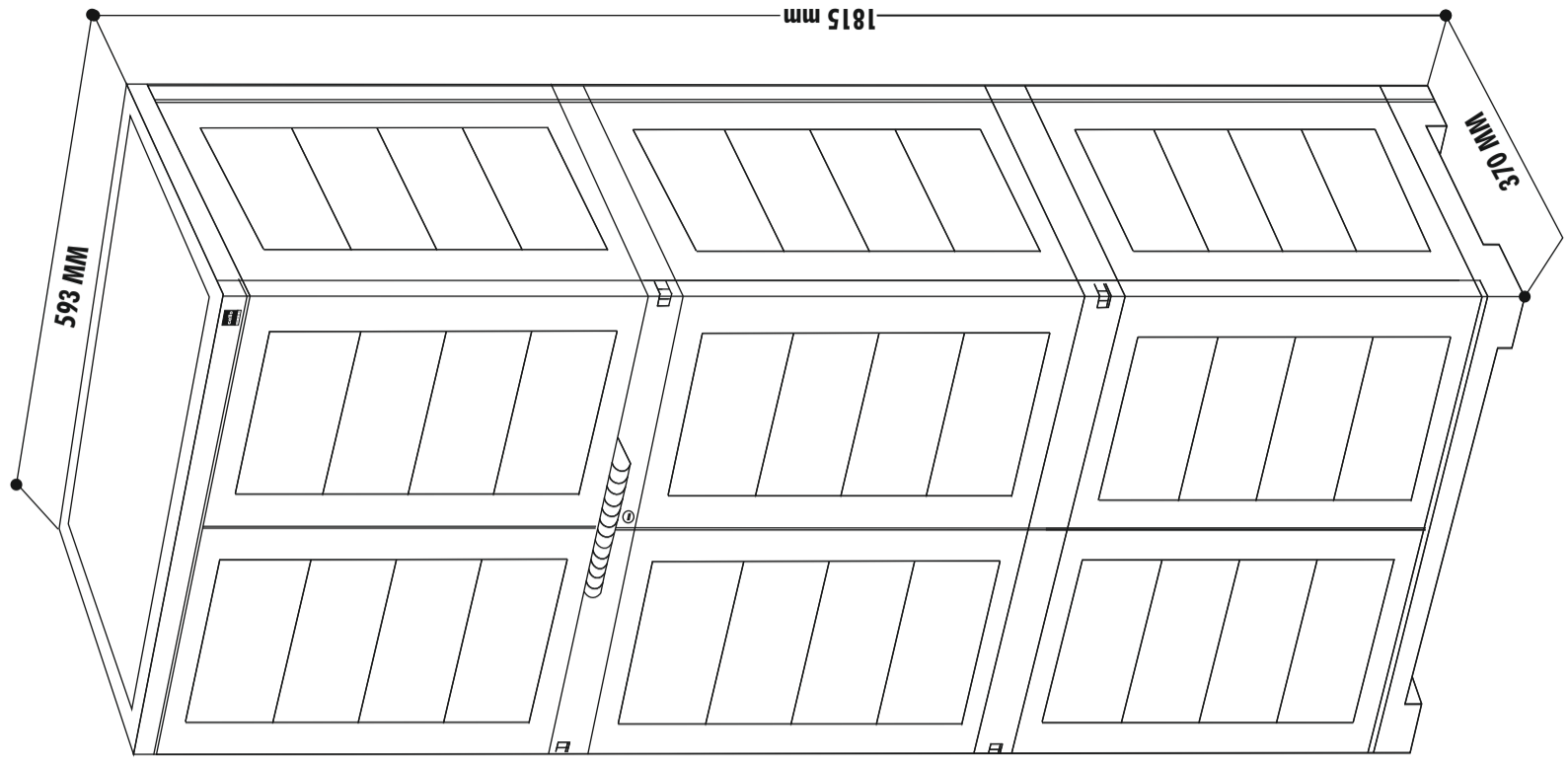




# NOVELTY LARGE



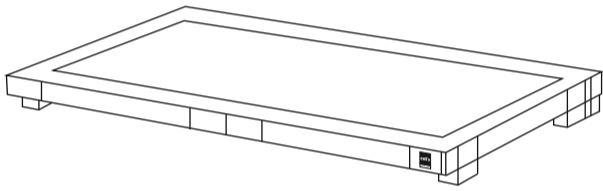
For easy assembly watch video cello website YouTube

www.cellowimplast.com

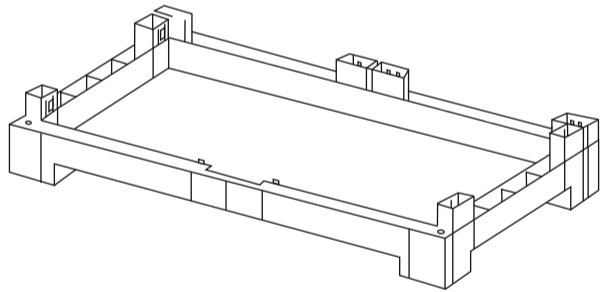


## PARTS

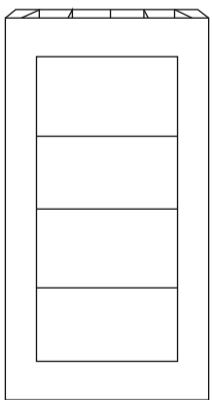
TOP PANEL



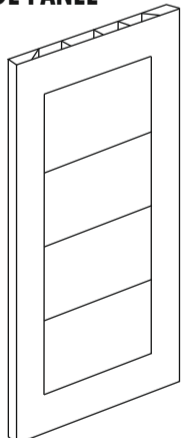
BOTTOM PANEL



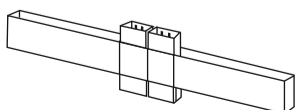
BACK PANEL



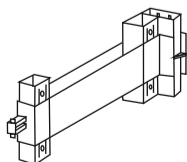
SIDE PANEL



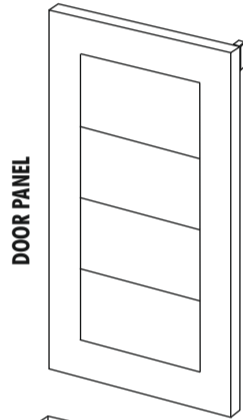
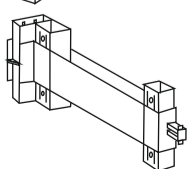
BACK CONNECTOR



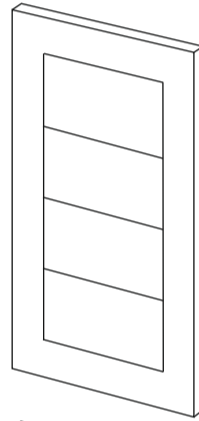
LEFT SIDE CONNECTOR



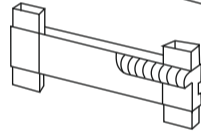
RIGHT SIDE CONNECTOR



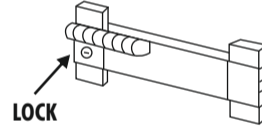
DOOR PANEL



DOOR PANEL

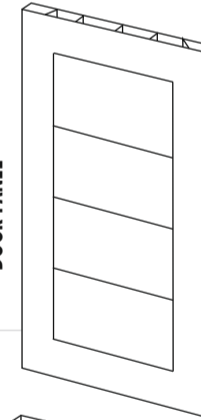


DOOR CONNECTOR WITH HANDLE ( LH )

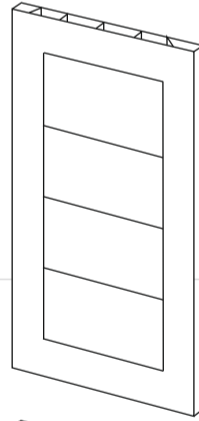


LOCK

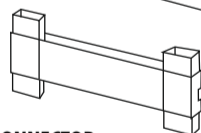
DOOR CONNECTOR WITH HANDLE (RH-WITH LOCK)



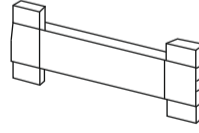
DOOR PANEL



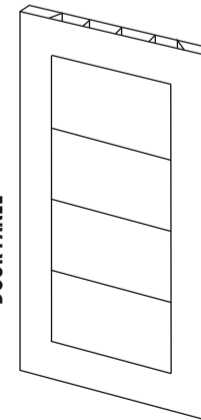
DOOR PANEL



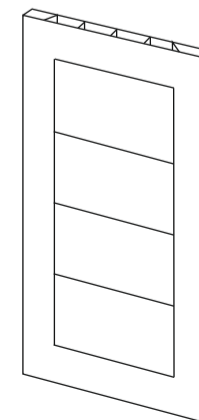
DOOR CONNECTOR WITHOUT HANDLE (LH)



DOOR CONNECTOR WITHOUT HANDLE (RH)

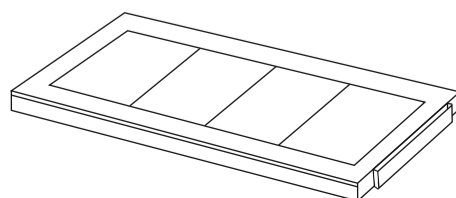


DOOR PANEL



DOOR PANEL

SHELF



## LIST OF PARTS

SR. NO.	NAME OF THE PART	QTY
1	TOP	1
2	BOTTOM	1
4	SIDE PANEL	6
5	BACK PANEL	6
6	DOOR PANEL	6
9	DOOR CONNECTOR WITH HANDLE (LH/RH WITH LOCK)	1+1
10	SIDE CONNECTOR (LH / RH)	1+1
11	BACK CONNECTOR	2
12	SHELF (WITH METAL SUPPORT CHANNEL)	4
TOTAL PARTS		30

NOTE : ENSURE LOCKING BETWEEN THE ASSEMBLED PARTS

### C O L O U R



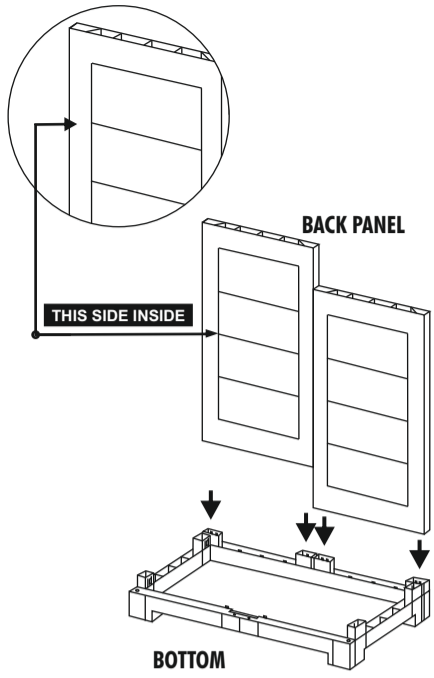
**cello Wim Plast Ltd.**

Admin Office : Cello House, Corporate Avenue,  
'B' Wing, 1st Floor, Sonawala Road, Goregaon ( E ),  
Mumbai : 400 063. INDIA.  
Tel : +91-22 2686 3426 / 27, +91-22 2686 4630  
F : +91-22 2686 3681  
E : wimplast@celloworld.com  
Website : www.cellowimplast.com

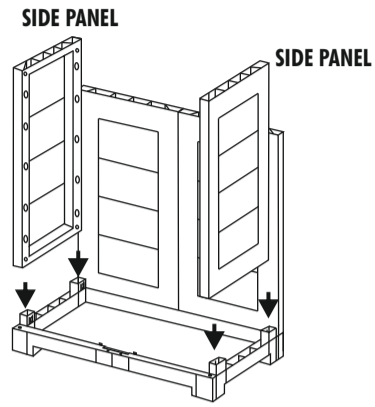
For easy assembly watch video cello website YouTube

# NOVELTY LARGE

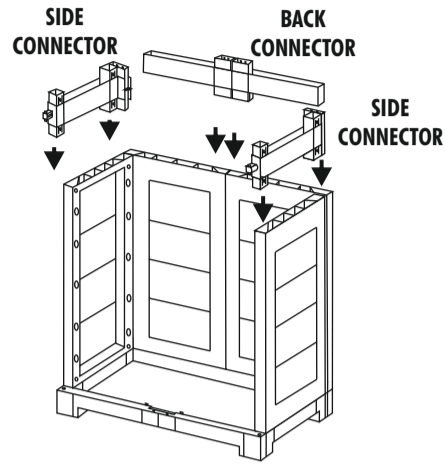
## INSTALLATION GUIDE



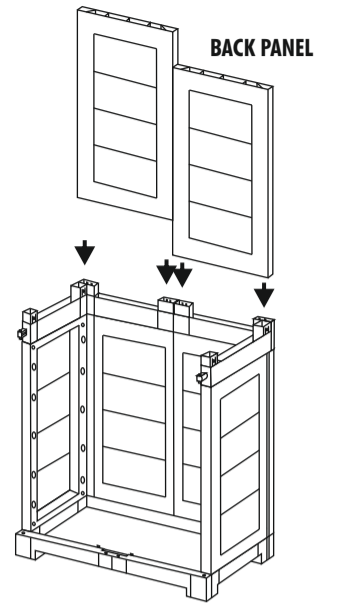
**1** Fix the Back Panels on Bottom.



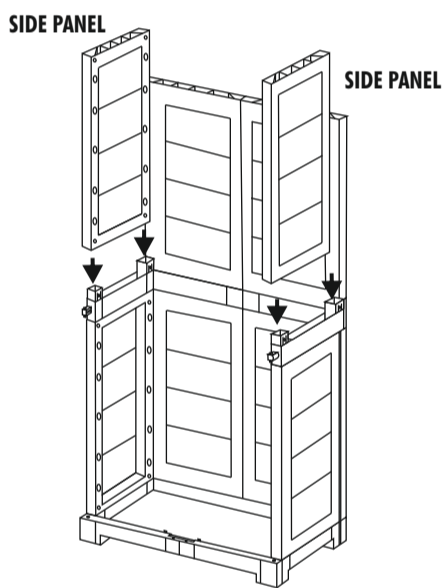
**2** Similarly fix Side Panels on Bottom.



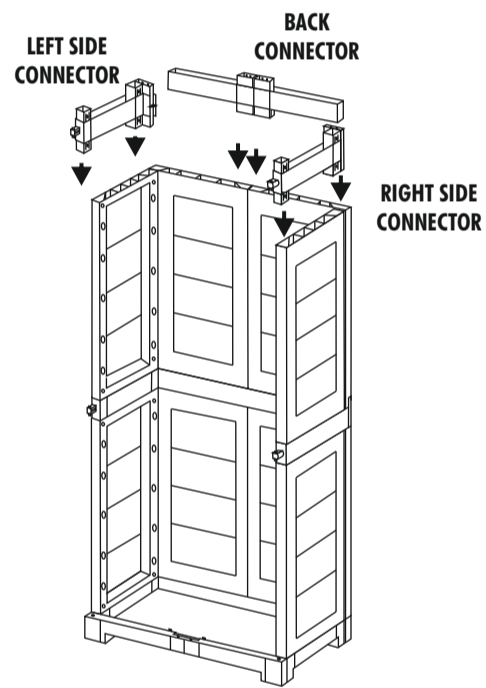
**3** Fix up Back Connector in Back Panels and lock. Then insert Side Connectors in Back Panels and Side Panels. And lock the same.



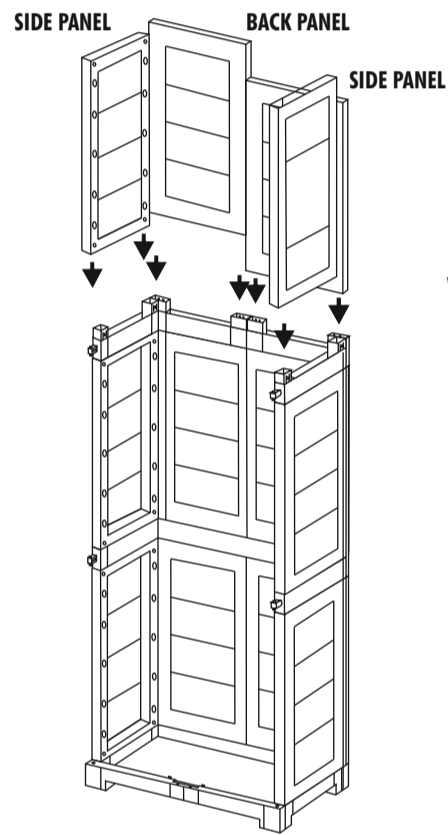
**4** Now fix the other two Back Panels on Back Connector.



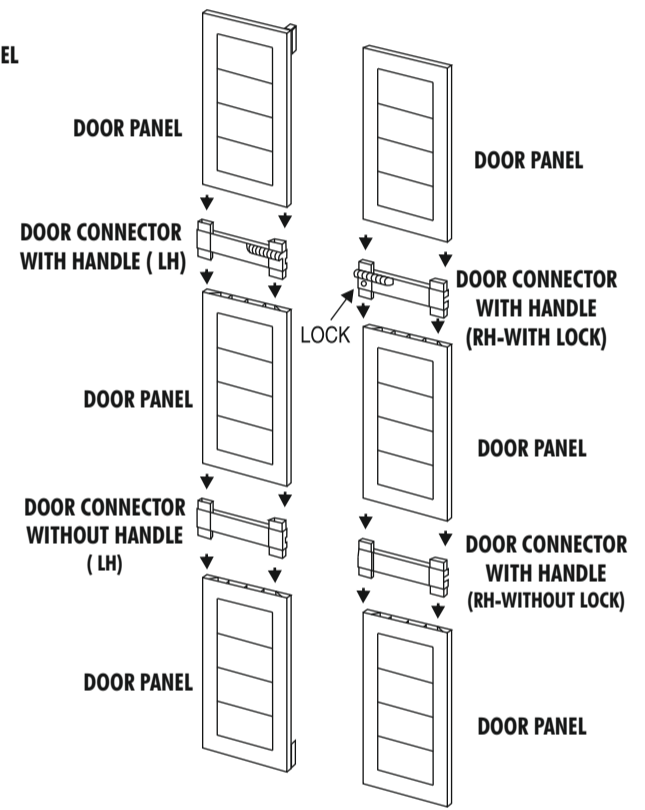
**5** Similarly fix the other two Side Panels on the Side Connectors as shown in the figure.



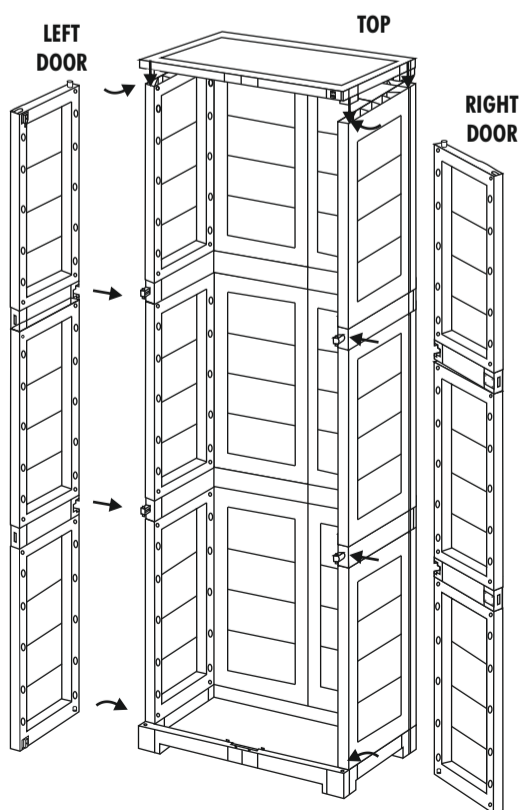
**6** Fix up Back Connector in Back Panels and lock. Then insert Side Connectors in Back Panels and Side Panels and lock the same. Repeat the process 4 & 5.



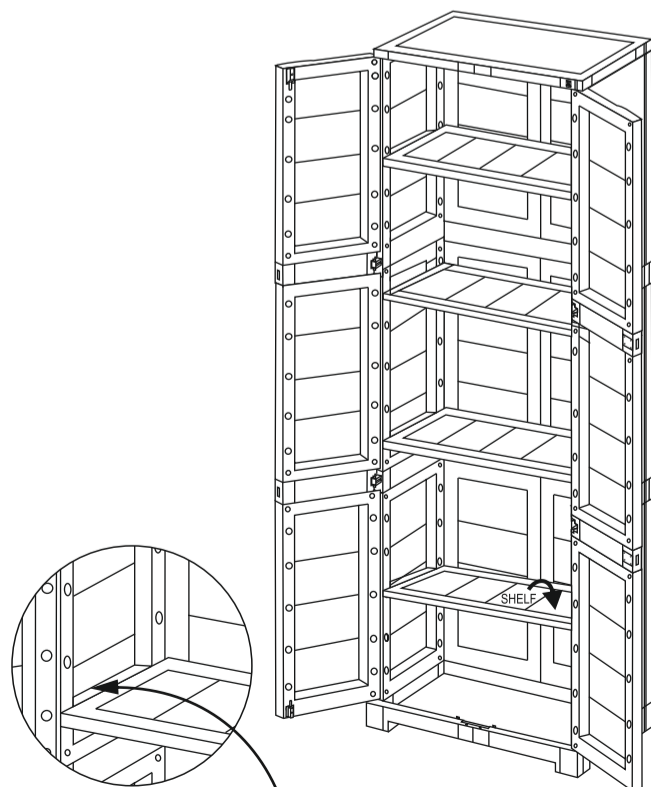
**7** Fix the other two Back Panels on Back Connector, and two side panels on side connectors.



**8** Assemble both the doors by connecting Door Panels with Left and Right Door Connectors. (Upper one with Handles & Lower one without Handles)

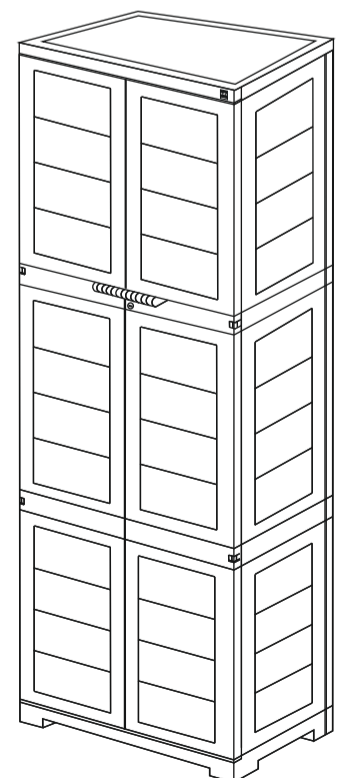


**9** Fit Door Assembly by locating pivot in hole of Top and Bottom to lock it on pivot of Side Connectors. Now fix the Top and lock.



Shelf can be adjusted or removed as per the requirement.

**10** Insert shelves one by one slightly inclining and then gently press by sliding to lock in holes of Side Panels. The Shelf height is adjustable.



**11** Now Novelty-Large Cabinet is ready to use.