

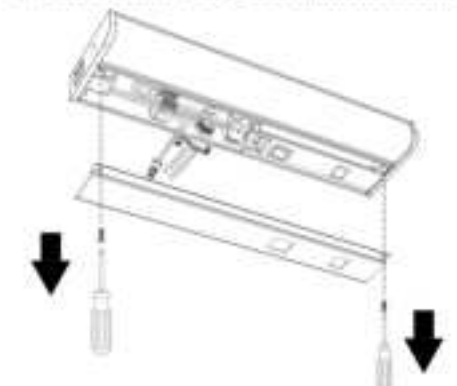
## Installation(Continued)



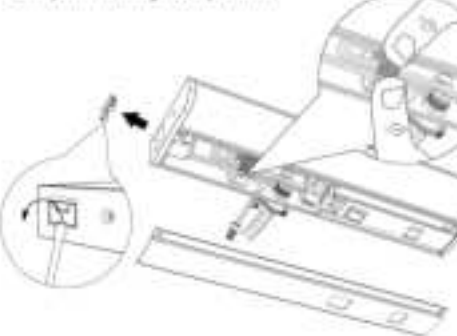
### 6 To link more lights

**Attention:** Max linkage is 10 units. Only connect to the lights of the same series. Only ONE light is allowed to receive main power input from supply circuit. Otherwise, it will cause damage or fire.

6.1 Turn off the power of the light and remove the front cover.



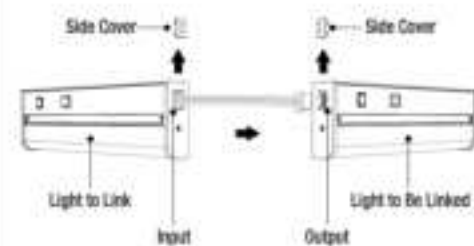
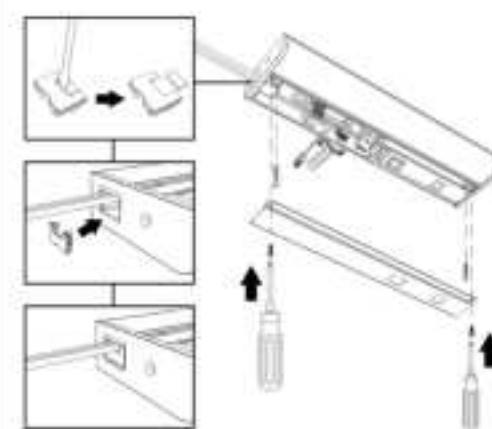
6.2 Remove the side cover and release the linking cord from the clamp inside the light compartment.



6.3 Extend the cord to a desired length and insert the cord into the connector of the next light.



6.4 Place the extra cord back into the clamp and re-attach the front cover.



**NOTE:** These fixtures are dimmable and compatible with these dimmers sold at The Home Depot.  
 • Make sure the lights are in a single loop and a single pole with the dimmers, and that the total wattage of the lights does not exceed the dimmer wattage capacity. Please refer to wattage capacity on the dimmer packaging.  
 • Please contact customer service if you have any further questions on the lights or dimmers.

(Model/SKU#):  
 Lutron brand: DVCL-153PH-WH(208508);  
 CTCL-153PDH-WH(267858); TGCL-153PH-WH(527401);  
 P-PKG1W-WH-RV1000027980;  
 Leviton brand: RG2-08674-P0W(125569);  
 RG2-PL06-10M(976708)



Questions, problems, missing parts? Before returning to the store, call Commercial Electric Customer Service  
 8a.m.-7p.m., EST, Monday - Friday, 9a.m.-6p.m.Saturday.

1-877-527-0313  
 HOMEDEPOT.COM



SKU# 1005837606(12 in.)  
 /1005837626(18 in.)  
 /1005837732(24 in.)  
 IFC# 81002968000(12 in.)  
 /81002968000(18 in.)  
 /81002968010(24 in.)

## USE AND CARE GUIDE

### LED DIRECT WIRE LINKABLE UNDER-CABINET LIGHT



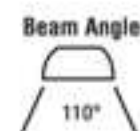
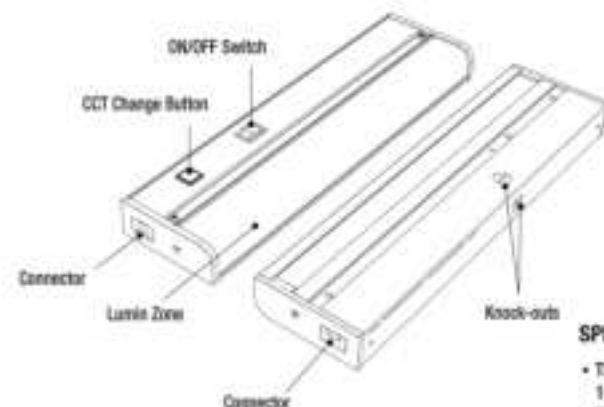
Questions, problems, missing parts? Before returning to the store, call Commercial Electric Customer Service  
 8a.m.-7p.m., EST, Monday - Friday, 9a.m.-6p.m.Saturday.

1-877-527-0313  
 HOMEDEPOT.COM

### THANK YOU

We appreciate the trust and confidence you have placed in Commercial Electric through the purchase of this under cabinet light. We strive to continually create quality products designed to enhance your home. Visit us online to see our full line of products available for your home improvement needs. Thank you for choosing Commercial Electric!

## Product Description



### SPECIFICATIONS

- The 12 in. fixture with SKU#1005837606(12 in.) is rated at 120V/60Hz 10.3W 77mA.
- The 18 in. fixture with SKU#1005837626(18 in.) is rated at 120V/60Hz 15W 115mA.
- The 24 in. fixture with SKU#1005837732(24 in.) is rated at 120V/60Hz 19.6W 152mA.

## Safety Information

Carefully read and understand the information in this manual before you begin installation. Failure to do so could lead to electric shock or a fatal hazard.

**WARNING:** Changes or modifications not expressly approved by the party responsible for compliance could void the user's authority to operate the equipment.

**WARNING:** This product must be installed in accordance with the applicable installation code by a person familiar with the construction and operation of the product and the hazards involved.

**WARNING:** This equipment has been tested and found to comply with the limits for a class B digital device pursuant to Part 15 of the FCC Rules and ICES-005 of the IC Rules. These limits are designed to provide reasonable installation protection. This equipment generates and can radiate radio frequency energy and, if not installed and used in accordance with the instructions, may cause harmful interference.

However, there is no guarantee that interference will not occur in a particular installation. If this equipment does cause harmful interference to radio or television reception, which can be determined by turning the equipment off and on, the user is encouraged to try to correct the interference by one or more of the following measures:  
 • Reorient or relocate the receiving area.  
 • Increase the separation between the equipment and the receiver.  
 • Connect the equipment into a different outlet and circuit from the receiver outlet and circuit.  
 • Consult the dealer or an experienced radio/TV technician for help.

**CAUTION:** This is a non-replaceable LED light source. Do not dismantle this fixture. There are no user serviceable parts inside.

**CAUTION:** For indoor and dry location use only.

**CAUTION:** Do not touch the fixture when the light source is ON.

**CAUTION:** Ensure the electricity is shut off before you install or work on this light. Either remove the fuse or turn off the circuit breaker.

**CAUTION:** Deviation from the assembly instruction may result in a risk of fire and electric shock.

**CAUTION:** Do not operate this fixture with a missing or damaged cover or housing.

**CAUTION:** Do not mount this fixture near a heat source as it may damage this fixture.

**CAUTION:** Do not stare directly into the LED light.

## Limited Warranty

The manufacturer warrants this product to be free from defects in materials and workmanship for a period of five(5) years from date of purchase. This warranty applies only to the original consumer purchaser and only to products used in normal use and service. If this product is found to be defective, the manufacturer's only obligation, and your exclusive remedy, is the repair or replacement of the product at the manufacturer's discretion, provided that the product has not been damaged through misuse, abuse, accident, modifications, alterations, neglect or mishandling. This warranty shall not apply to any product that is found to have been improperly installed, set-up, or used in any way not in accordance with the instructions supplied with the product. This warranty shall not apply to a failure of the product as a result of an accident, misuse, abuse, negligence, alteration, or faulty installation, or any other failure not relating to faulty material workmanship. The manufacturer specifically disclaims any liability and shall not be liable for any consequential or incidental loss or damage, including labor/expense costs involved in the replacement or repair of said product.

Contact the Customer Service Team at 1-877-527-0313 or visit [www.HomeDepot.com](http://www.HomeDepot.com).

## Pre-Installation

### PLANNING INSTALLATION

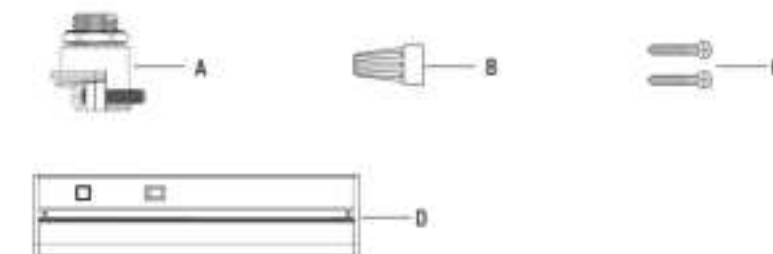
Compare all parts with the parts listed in the Hardware Included and Package Contents sections. If any part appears missing or damaged, do not install and use this light. Contact customer service.

### TOOLS REQUIRED



### Package Contents

**NOTE:** Hardware not shown to actual size.



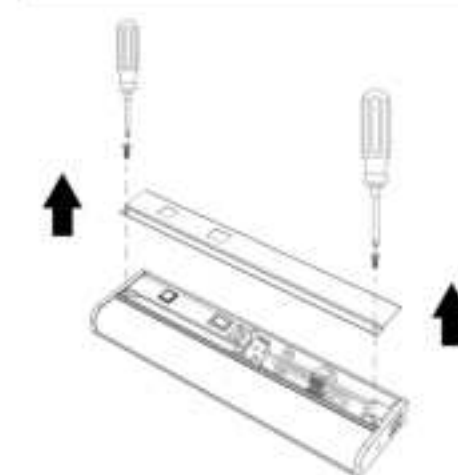
Part	Description	Quantity
A	Connector	1
B	Wire connector	1
C	Tapping screw	2
D	Light fixture	1

## Installation

### 1 Preparing the light for installation

Remove two screws on the front of the fixture for access to the wiring compartment.

**IMPORTANT:** Keep the screws. You need them to install the front cover to the fixture. There are no additional screws in the package.



### 2 Preparing the light for installation (continued)

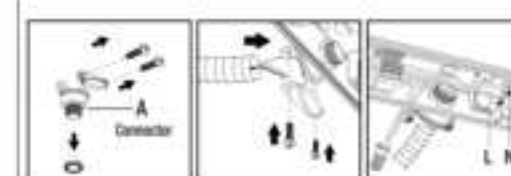
2.1 Determine the electrical feed location.  
 2.2 Remove a knockout from either the back or side of the fixture housing. The fixture has two to four knockouts depending on the length of your fixture.

### 3 Connecting the wires

3.1 Connect the ground wire from the fixture to the ground wire from the supply circuit, using the wire connector (B).  
 3.2 Connect the white wire (Neutral wire) from the supply circuit to the blue input (N) of the connector (A) inside the light.  
 3.3 Connect the black wire (Live wire) from the supply circuit to the green input (L) of the connector (A) inside the light.

**CAUTION:** Make sure the white wire and the black wire are copper wires among 14-20AWG. Make sure all the threads of the wires are properly connected.

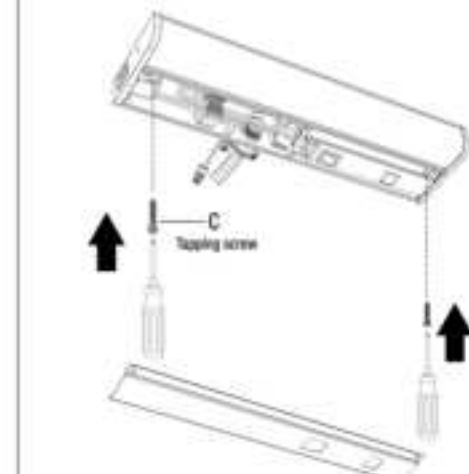
**NOTE:** Before you connect the wires, make sure the ON/OFF switch on the surface is OFF or it may cause potential risk if the switch is ON.



### 4 Mounting the light fixture

**NOTE:** The fixture mounting screws are suitable for cabinet bottoms 3/16 in. or thicker. Use shorter screws for thinner cabinet bottoms.

Attach the light to the desired surface using the fixture mounting screws (C). Tighten the screws securely.



### 5 Re-attach the front cover

Re-attach the front cover back to the light fixture with the two previously-removed screws. Restore the power to the electrical circuit at the service panel. Turn on the switch to light the fixture.

**NOTE:** Ensure the wires are covered properly inside the fixture.