



Allure™ EC-Smart-Comfort Series

Communicating sensors with Smart-Light and Smart-Blind add-on modules



Overview

The Allure EC-Smart-Comfort Series are versatile communicating sensors which provide precise temperature sensing.

Tailored for occupants, the Allure EC-Smart-Comfort Series intuitive design features coloured LED indicators to provide user feedback, rotary knobs to adjust the setpoint offset and fan speed, and a push-button to apply occupancy override.

As a multi-function room device, the Allure EC-Smart-Comfort Series sensor can be expanded with a combination of up to 4 Smart-Light/Blind Series add-on push-button modules, for lighting and shade/sunblind control, making it an ideal all-in-one addition to the Smart Room Control solution.

Applications

The Allure EC-Smart-Comfort series is compatible with the ECL series LonWorks® Controllers, ECB series BACnet® Controllers and ECLYPSE™ series BACnet/IP and Wi-Fi Controllers, including the Smart Room Control solution.

Features & Benefits

Wiring and Commissioning Cost Savings

Free up Controller Inputs

The sensor is wired to the dedicated subnet port of Distech Controls' ECL series LonWorks Controllers, ECB series BACnet Controllers and ECLYPSE series BACnet/IP and Wi-Fi Controllers, freeing up controllers' inputs.

Reduce Wiring Lengths

Daisy-chain communicating sensors to one controller for increased range while using less wire thereby reducing material costs in large open space and multi zone applications.

Single Cable Connection

As a communicating sensor, both power and communications pass through a single Cat 5e cable, for reduced installation costs and for easier installation or system retrofit.

Quick-link Connectors

This device features quick-link connectors, accelerating installation time by up to 75% and reducing potential wiring errors.

Versatile Mounting

These sensors support various mounting scenarios, including on dry wall or on a North American, European, Swiss, or Asian style switch box.

Reduce Commissioning Time

Simple to configure and to commission: simply drag and drop the device's block into your EC-gfxProgram code for "plug-and-play" installation.

Error Feedback

The EC-gfxProgram block object includes an error input dedicated to trigger a fast blink of the occupancy LED to help technicians understand that there is a problem.

Reduce Energy Usage

Designed for Savings

As a communicating sensor, this device features an integrated "Feedback Status" function which is used to reset occupant manual overrides, for example at the end of each work day, thereby saving energy and reducing costs.

Tailored for Occupants

The dedicated rotary knobs for setpoint offset and fan speed adjustment, and the override occupancy pushbutton allow occupants to easily adjust their own comfort parameters.

In addition, coloured LED indicators further provide clear indication of settings and status.

Temperature Adjustment

All models come with an on-board temperature sensor for a precise feedback based temperature control.

Select models feature a temperature setpoint rotary knob, allowing occupants to easily adjust temperature setpoint. For additional energy savings, the allowed temperature offset range can be configured via EC-gfxProgram .

Fan Speed Selection

Select models feature a fan speed rotary knob, allowing occupants to easily adjust fan speed - low/medium/high/auto (I/II/III/Auto). In addition, fan speed can be configured in the programming software.

Occupancy Management

For people working outside of core hours, select models feature a push-button occupancy indicator, to allow occupants to override system schedules: occupied, unoccupied or standby mode.

Lighting & Shade/Sunblind Management

With the addition of up to 4 Smart-Light/Blind Series add-on modules, the room sensor delivers an all-in-one room device, managing all room functions: HVAC, ON/OFF or dimming for lighting, up/down or angle rotation for shade/sunblind.

This significantly reduces material and installation costs by not having to install independent light switches and shade/sunblind switches.

Smart-Light/Blind Series modules can easily be added at any time: simply clip them on, no additional wiring is required.

Smart-Light/Blind Series modules are "auto-detected" and their function can easily be configured in EC-gfxProgram .

On-board Digital Inputs

All models are also available with 8 digital inputs for connection to existing or architect-specified light and shade/ sunblind switches, or for use with other room device outputs. This reduces wiring costs and installation time for both new and retrofit installations. These inputs are easily accessible by a convenient digital input cable.

Configurable LED Indicators

For applications such as hotel rooms, hospital rooms, and much more, the LED's intensity is fully customisable through EC-gfxProgram, and can be configured to automatically switch off after a certain delay.

For setpoint and fan speed adjustment, the LED indicators can be configured in "Level Indicator" mode, blinking as each level is passed, or in "Colour Gradation" mode, enabling a finer adjustment.

Model Selection

	Temperature sensor	Temperature setpoint offset	Occupancy management	Fan speed	Smart-Light/Blind add-ons ¹	Digital inputs ¹
Allure EC-Smart-Comfort-S	■	■			4	
Allure EC-Smart-Comfort-S-DI	■	■			4	8
Allure EC-Smart-Comfort-SO	■	■	■		4	
Allure EC-Smart-Comfort-SO-DI	■	■	■		4	8
Allure EC-Smart-Comfort-SF	■	■		■	4	
Allure EC-Smart-Comfort-SF-DI	■	■		■	4	8
Allure EC-Smart-Comfort-SOF	■	■	■	■	4	
Allure EC-Smart-Comfort-SOF-DI	■	■	■	■	4	8

1. Each Smart-Light/Blind Series add-on module uses 2 digital inputs.

Accessories

Smart-Light-1	Add-on Module for the control of 1 dimmable lighting group
Smart-Light-2	Add-on Module for the control of 2 ON/OFF lighting groups
Smart-Blind	Add-on Module for the control of 1 shade/sunblind group

Product Specifications

Power Supply Input

Voltage _____ 16 VDC maximum, Class 2

Power Consumption _____ At the connected controller, an additional 0.25 VA

Communications

Rate _____ 38 400 bps

Communications _____ RS-485

Wiring _____ Cable length: 600 ft (180 m) maximum

Cable Type _____ T568B Cat 5e network cable, 4 twisted pairs

Connectors:

IN _____ RJ-45

OUT _____ RJ-45 (pass-through for daisy chain connection to other room devices)

Temperature Sensor

Type _____ 10 k Ω NTC Thermistor

Range _____ 41°F to 104°F (5°C to 40°C)

Accuracy _____ $\pm 0.9^\circ\text{F}$ ($\pm 0.5^\circ\text{C}$)

Resolution _____ 0.18°F (0.1°C)

Commands

Temperature setpoint

Type _____ Infinite knob

Status indicator _____ 7 configurable LEDs: 3 blue, 1 white, 3 red

Fan speed selection

Type _____ Infinite knob

Status indicator _____ 5 configurable LEDs: Auto, Off, I, II, III

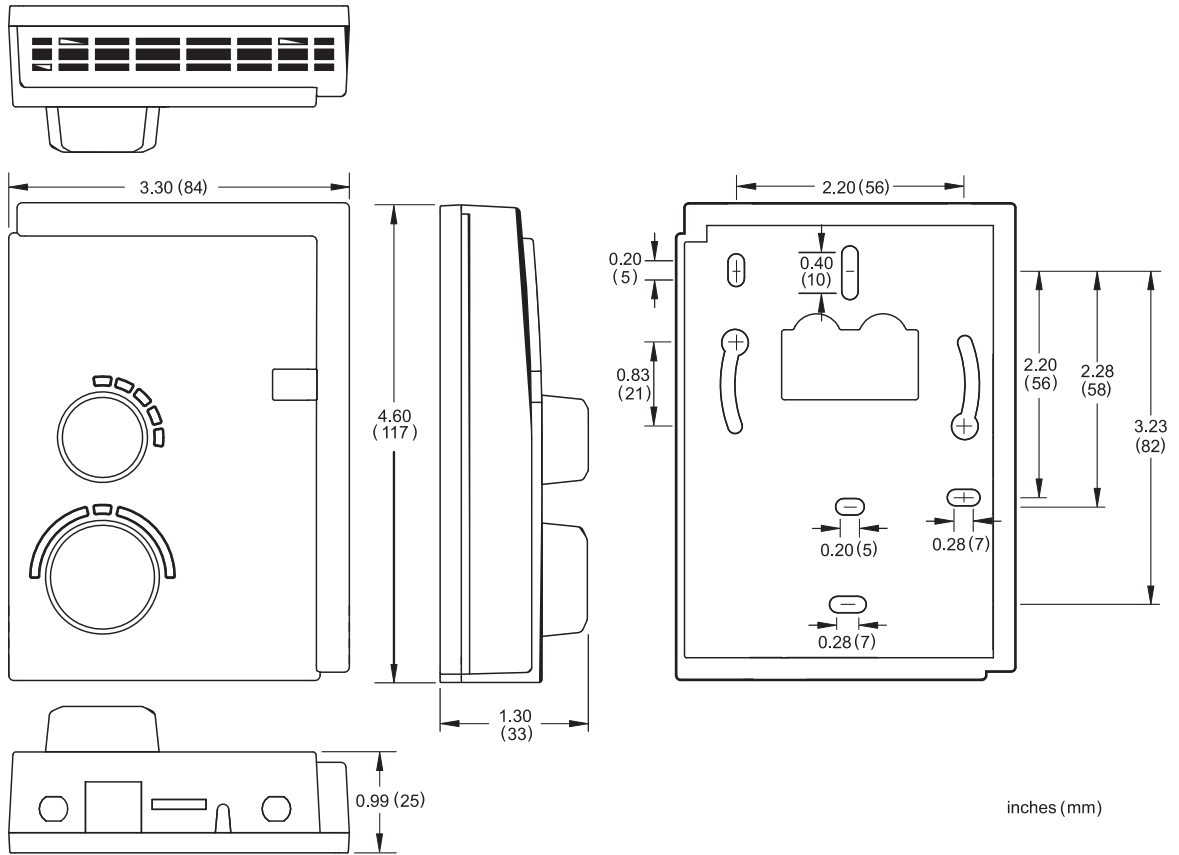
Occupancy management

Type _____ Push-button

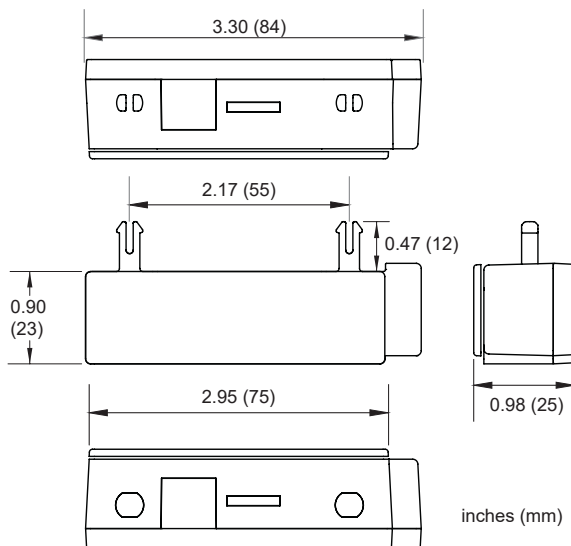
Status indicator _____ 1 programmable LED

Mechanical

Allure EC-Smart-Comfort Series Dimensions (H × W × D) — 4.60 × 3.30 × 1.30" (117 × 84 × 33 mm)



Smart-Light/Blind Series Dimensions (H × W × D) — 0.90 × 3.30 × 0.98" (23 × 84 × 25 mm)



Shipping Weight:

- Models with digital inputs — 0.428lbs (0.194 kg)
- Models without digital inputs — 0.331lbs (0.150 kg)

Enclosure Material — ABS

Enclosure Rating — Plastic housing, UL94-V0 flammability rating

Color _____ white
Installation _____ wall mounting through mounting holes (see figure above for hole positions)
or switch box (North America / European / Asian / Swiss)

Environmental

Operating Temperature _____ 32°F to 122°F (0°C to 50°C)
Storage Temperature _____ -4°F to 122°F (-20°C to 50°C)
Relative Humidity _____ 0 to 90% Non-condensing
Ingress Protection Rating _____ IP20
Nema Rating _____ 1

Standards and Regulation

CE

- Emission _____ EN 61000-6-3: 2007 + A1: ed.2011; Generic standards for residential, commercial and light-industrial environments
- Immunity _____ EN 61000-6-1: 2007; Generic standards for residential, commercial and light-industrial environments

FCC _____ This device complies with FCC rules part 15, subpart B class B

UL Listed (CDN & US): *(Pending)*

- UL 916 _____ Safety Requirements For Energy Management Equipment
- CSA C22.2 No. 205-12 _____ Safety Requirements For Signal Equipment
- File number _____ E228719

RoHS _____ All materials and manufacturing processes comply with the RoHS directive.

WEEE _____ All products are marked according to the Waste Electrical and Electronic Equipment (WEEE) directive.



Specifications subject to change without notice.

ECLYPSE, Distech Controls, the Distech Controls logo, Innovative Solutions for Greener Buildings, and Allure are trademarks of Distech Controls Inc. BACnet is a registered trademark of ASHRAE. LonWorks is a registered trademark of Echelon Corporation. All other trademarks are property of their respective owner.

©, Distech Controls Inc., 2015 - 2018. All rights reserved.

