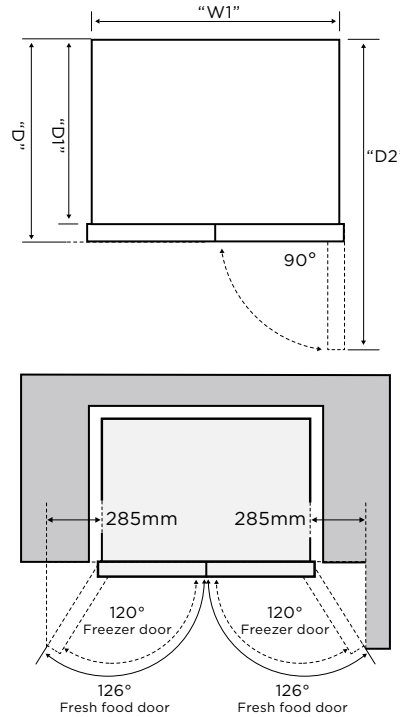
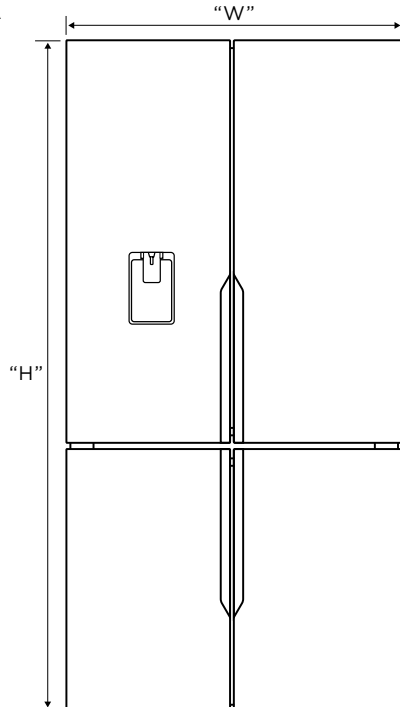


## Large French door

WQE5650BA



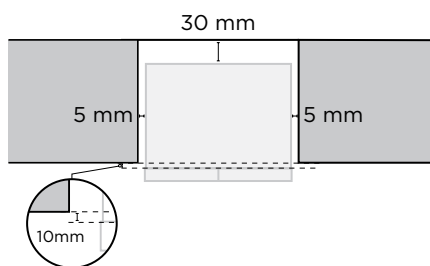
When positioned in a corner area, spacing of at least 285mm on the hinge side will allow the doors to open enough to enable the removal of bins and shelves.

### Installation options for optimal aesthetics :

#### Minimum side clearance kitchen cabinet

Fridge body must sit 10mm proud of kitchen cabinetry.

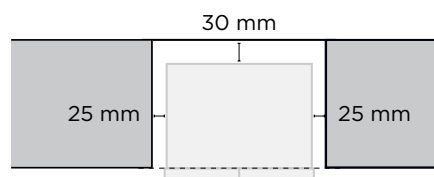
Minimum cabinetry opening (WxDxH) : 900mm x 649mm x 1800mm



#### Front of fridge body in line with kitchen cabinet

Side clearance must be 25mm either side of fridge body, to have the fridge doors sitting proud of the kitchen cabinetry.

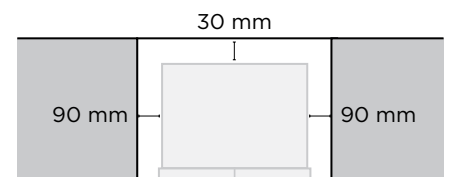
Minimum cabinetry opening (WxDxH) : 940mm x 659mm x 1800mm



#### Fridge door flush with the cabinetry

Side clearance must be 90mm either side of the fridge, to have the fridge doors sitting flush with the kitchen cabinetry.

Minimum cabinetry opening (WxDxH) : 1070mm x 741mm x 1800mm



Please note : Top gap all 5 mm.

Dimensions	Product Height	Product Width	Product Depth	Product Depth (Door Open)
WQE5650BA	1795	896	726	1104

Door Flush (Depth include product doors)	Side - both			Cabinet Flush	Side - both		
	Top	Behind	Top		Behind		
WQE5650BA	90	5	30	WQE5650BA	25	5	30

#### IMPORTANT

These dimensions are a guide only. All measurements are in millimetres (mm). For complete installation instructions, refer to the manual provided with product.  
 © 2022 Electrolux Home Products Pty Ltd. ABN 51 004 762 341. W\_DIM\_WQE5650BA\_Aug22