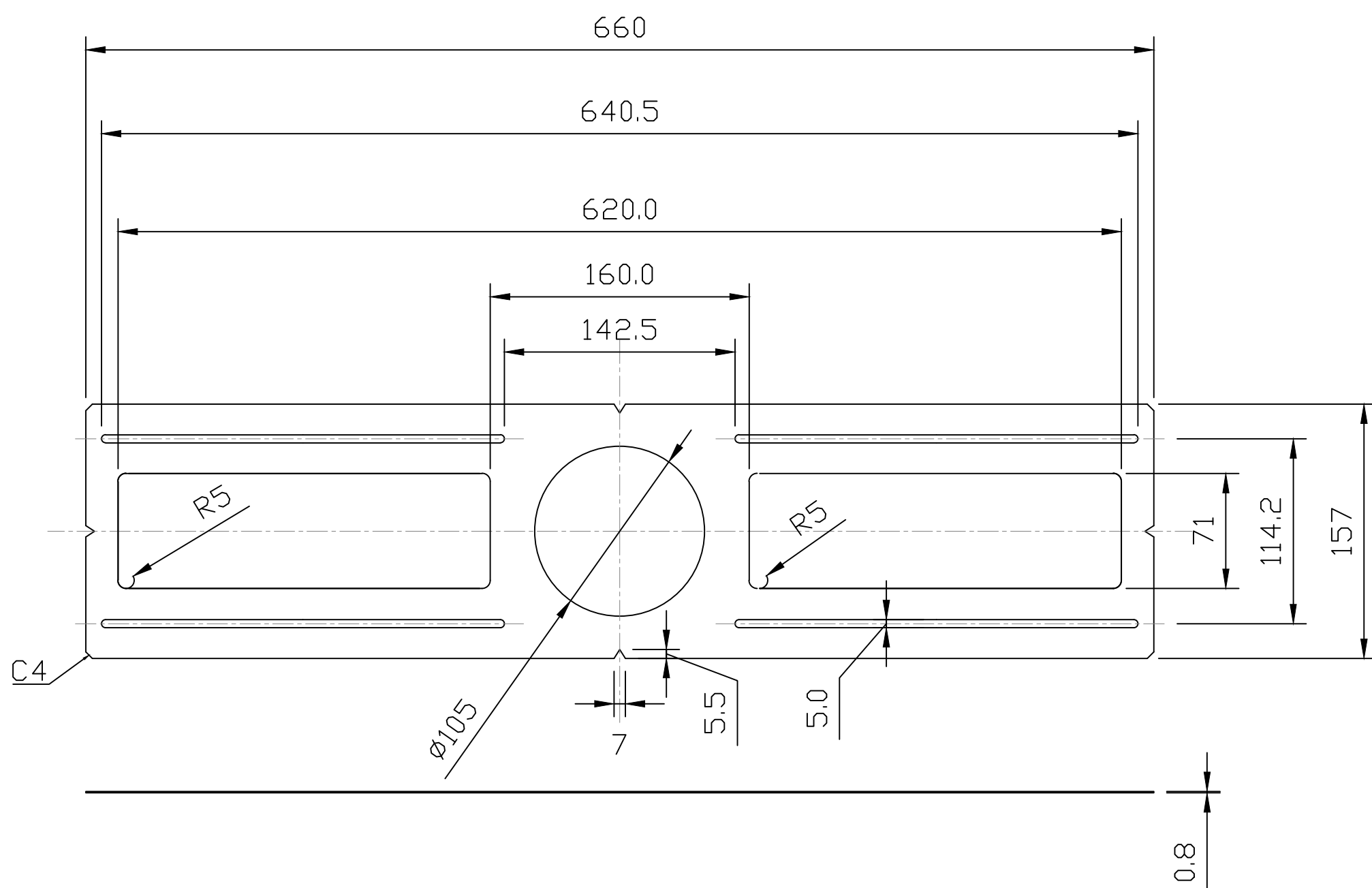
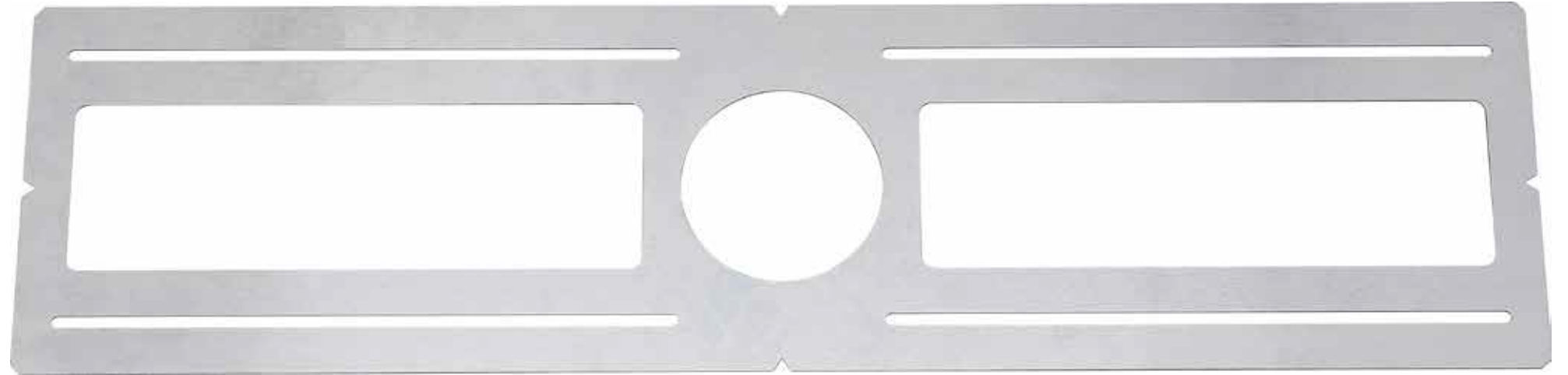


MODEL Plate 26-4

Description

- 4" New Construction Plate for recessed lighting
- Made up of galvanized steel
- Includes holes for easy installation
- Compatible with all Ortech 4" Slim Lights



Reference	QTY.	Remarks	Project:
			Location:
			Architect:
			Engineer:
			Contractor:
			Submitted by:
			Date: