

Use & Care Guide
Manual de Uso y Cuidado
Manuel d'entretien et d'utilisation

Kenmore^{®/MD}

Intuition[®]

Bagged Upright Vacuum
Aspiradora Con Bolsa
Aspirateur Vertical Muni De Sac

Model/Modelo/Modèle: BU4020

Rev.01

Vacuum Cleaner Help Line:

1-844-608-3080 (US) / 1-844-608-3081 (CA)

8:00am-5:00pm EST, M-F

www.kenmorefloorcare.com



TABLE OF CONTENTS

Before Using Your New Vacuum Cleaner	2
Packing List	2
Important Safety Instructions.....	3-4
Vacuum Cleaner Warranty	5
Parts and Features.....	6
Assembly Instructions	7-8
Operating Instructions	9-15
Performance/Safety Features	16
Vacuum Maintenance and Care.....	17-23
Troubleshooting	24-25

BEFORE USING YOUR NEW VACUUM CLEANER

Read this Use & Care Guide. It will help you assemble and operate your new Kenmore vacuum cleaner in the safest and most effective way.

For more information about vacuum cleaner care and operation, call the Vacuum Cleaner Help Line at 1-844-608-3080 (US) / 1-844-608-3081 (CA). You will need the complete model and serial numbers when requesting information.

Your vacuum cleaner's model and serial numbers are located on the Model and Serial Number Plate. Use the space below to record the model number and serial number of your new Kenmore vacuum cleaner.

Model No. _____

Serial No. _____

Date of Purchase _____

Keep this book and your sales check (receipt) in a safe place for future reference.

PACKING LIST

Your KENMORE INTUITION[®] BAGGED UPRIGHT VACUUM CLEANER is packaged with the following parts and components assembled separately in the carton:

- | | |
|--------------------------|------------------------|
| 1 Upright Vacuum Cleaner | 1 Handle |
| 1 Crevice Tool | 1 Wand |
| 1 Flexible Hose | 1 Deluxe Dusting Brush |
| 1 Upholstery Tool | 1 Use & Care Guide |

IMPORTANT SAFETY INSTRUCTIONS

Read all instructions in this guide before assembling or using your vacuum cleaner.

WARNING!

Your safety is important to us. To reduce the risk of fire, electrical shock, injury to persons or damage when using your vacuum cleaner, follow basic safety precautions including the following:

- Use your vacuum cleaner only as described in this Use & Care Guide. Use only with manufacturer's recommended attachments.
- Disconnect electrical supply before servicing or cleaning out the brushroll area. Failure to do so could result in the brushroll unexpectedly starting, causing personal injury from moving parts.
- Do not leave vacuum cleaner when plugged in. Unplug from outlet when not in use and before performing maintenance.
- To reduce the risk of electrical shock - Do not use outdoors or on wet surfaces.
- Do not allow to be used as a toy. Close attention is necessary when used by or near children.
- Do not use with a damaged cord or plug. If vacuum cleaner is not working as it should, has been dropped, damaged, left outdoors, or dropped in water, immediately discontinue use and call 1-844-608-3080 (US) / 1-844-608-3081 (CA) for assistance.
- Do not pull or carry by cord, use cord as a handle, close a door on cord, or pull cord around sharp edges or corners. Do not run vacuum cleaner over cord. Keep cord away from heated surfaces.
- Do not unplug by pulling on cord. To unplug, grasp the plug, not the cord.
- Do not handle plug or vacuum cleaner with wet hands.
- Do not put any objects into openings.
- Do not use with any opening blocked; keep free of dust, lint, hair, and anything that may reduce air flow.
- Keep hair, loose clothing, fingers, and all parts of body away from openings and moving parts.
- Turn off all controls before unplugging.
- Use extra care when cleaning on stairs.
- Do not put on chairs, tables, etc. Keep on floor.
- Do not use vacuum cleaner to pick up flammable or combustible liquids (gasoline, cleaning fluid, perfumes, etc.), or use in areas where they may be present. The fumes from these substances can create a fire hazard or explosion.
- Do not pick up anything that is burning or smoking, such as cigarettes, matches, or hot ashes.
- Do not use vacuum cleaner without dust cup and/or filters in place.
- Always replace the dust bag after vacuuming carpet cleaners or freshener, powders, and fine dust. These products clog the filters, reduce airflow and can cause damage to the vacuum cleaner. Failure to replace the dust bag could cause permanent damage to the vacuum cleaner.
- Do not use the vacuum cleaner to pick up sharp hard objects, small toys, pins, paper clips, etc. They may damage the vacuum cleaner or dust bag.
- You are responsible for making sure that your vacuum cleaner is not used by anyone unable to operate it properly.

IMPORTANT SAFETY INSTRUCTIONS

SAVE THESE INSTRUCTIONS

Proper assembly and safe use of your vacuum cleaner are your responsibilities. Your vacuum cleaner is intended for Household use. Read this Use & Care Guide carefully for important use and safety information. This guide contains safety statements under warning and caution symbols.

VACUUM CLEANER WARRANTY

LIMITED WARRANTY

FOR ONE YEAR from the date of sale this product is warranted against defects in material or workmanship.

WITH PROOF OF SALE a defective product will be replaced free of charge.

The Kenmore brand is used under license. Direct all claims for warranty service to:
1-844-608-3080 (US) / 1-844-608-3081 (CA).

This warranty does not cover filters or belts, which are expendable parts that can wear out from normal use within the warranty period.

This warranty is void if this product is ever used for other than private household purposes.

This warranty gives you specific legal rights, and you may also have other rights which vary from state to state.

Cleva North America, Inc., Greenville SC 29607

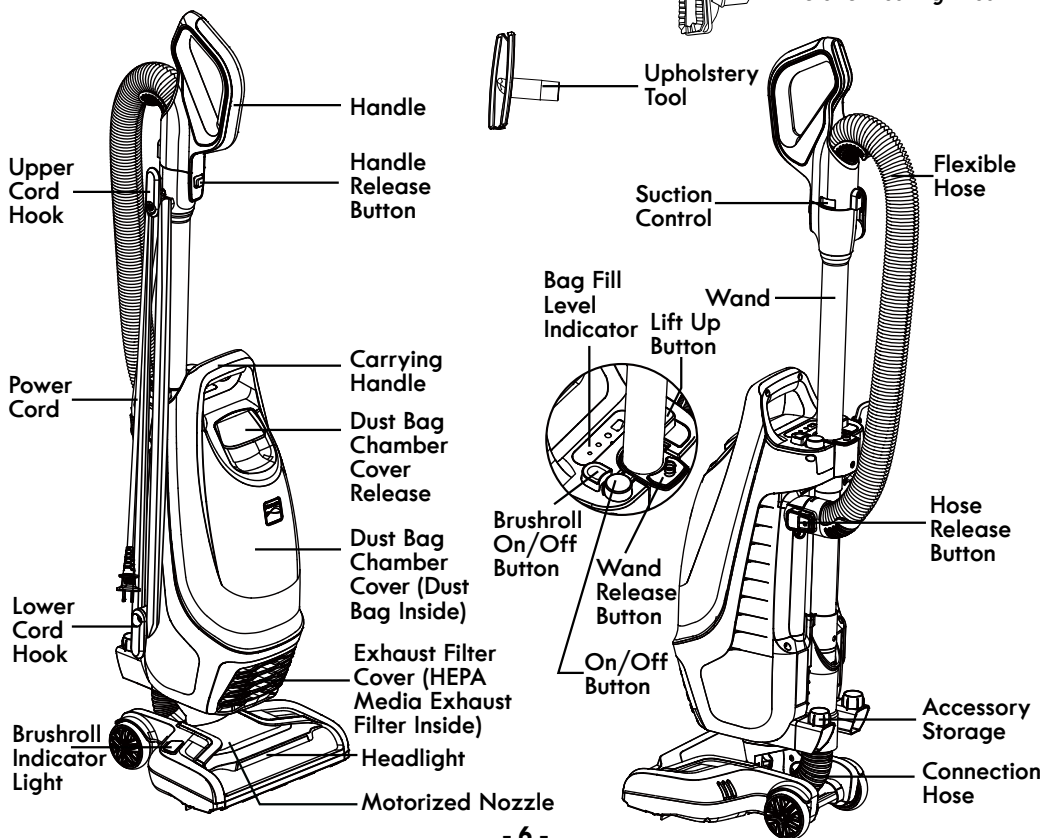
PARTS AND FEATURES

It is important to know your vacuum cleaner's parts and features to assure its proper and safe use. Review these before using your vacuum cleaner.

REPLACEMENT PARTS

Item	Part No. (US)	Part No. (CA)
Foam Filter	561060125	561060125
HEPA Media Exhaust Filter	561055118	561055118
Upholstery Tool	561055176	561055176
Crevice Tool	561065101	561065101
Dust Bag (6-pack)	1B600	63296
Wand	561070102	561070102
Flexible Hose (with handle)	561070101	561070101
Deluxe Dusting Brush	561060177	561060177
Filter Kit (HEPA Exhaust + Foam Filter)	561060184	561060184

To order a replacement part, call 1-844-608-3080 (US) / 1-844-608-3081 (CA).



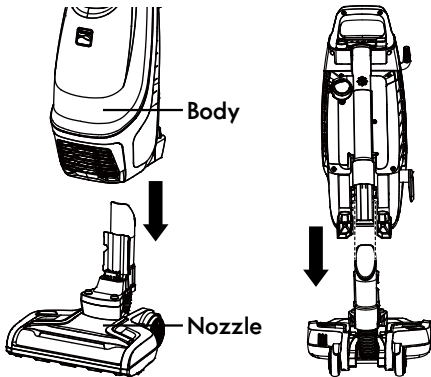


Please pay special attention to these hazard alert boxes, and follow any instructions given. **WARNING** statements alert you to such hazards as fire, electric shock, burns and personal injury. **CAUTION** statements alert you to such hazards as personal injury and/or property damage.

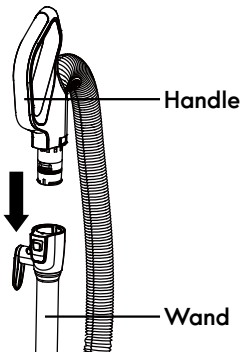
ASSEMBLY INSTRUCTIONS

Before assembling the vacuum cleaner, check the **PACKING LIST** (page 2). Use this list to verify that you have received all the components of your new Kenmore Intuition® Bagged Upright Vacuum Cleaner.

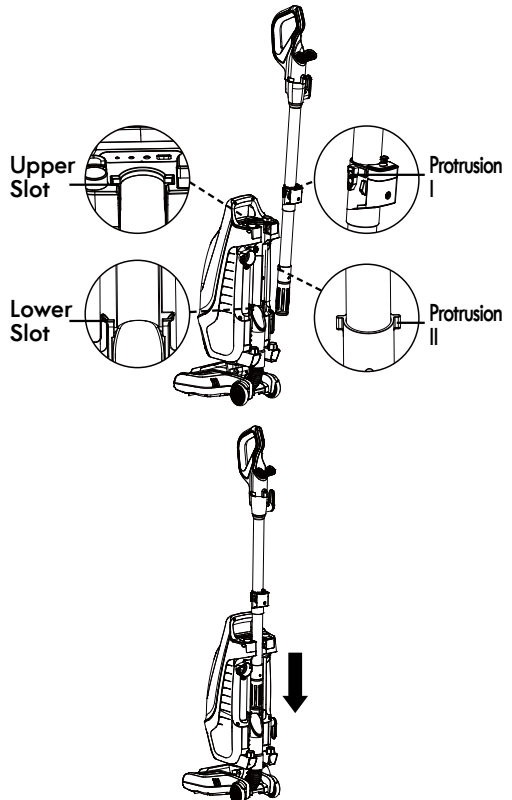
1. To place the body onto the nozzle, carry the body over the nozzle and align the nozzle neck with the guides in the body and slowly drop into place until a 'click' is heard.



2. Insert the handle into wand until you hear a 'click'.



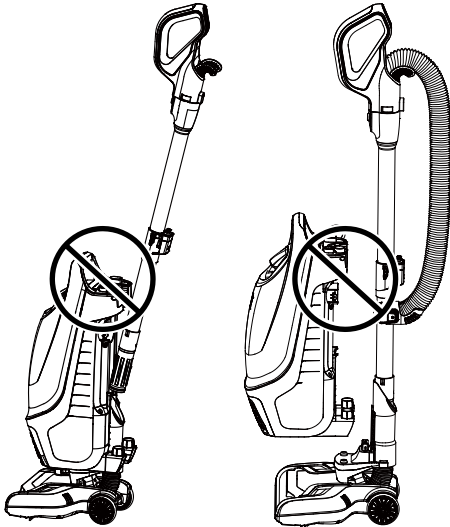
3. Locate the wand parallel with the body; make sure the protrusion is under upper slot as shown. Then push the wand to fit the body and then insert downward into the nozzle neck. Make sure the protrusion I is locked into upper slot and protrusion II into lower slot. A 'click' can be heard once you finish the wand assembly.



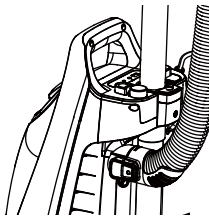
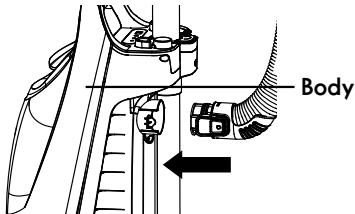
ASSEMBLY INSTRUCTIONS

NOTE: DO NOT tilt the wand to insert it into the nozzle neck.

DO NOT insert the wand before placing the body onto the nozzle.

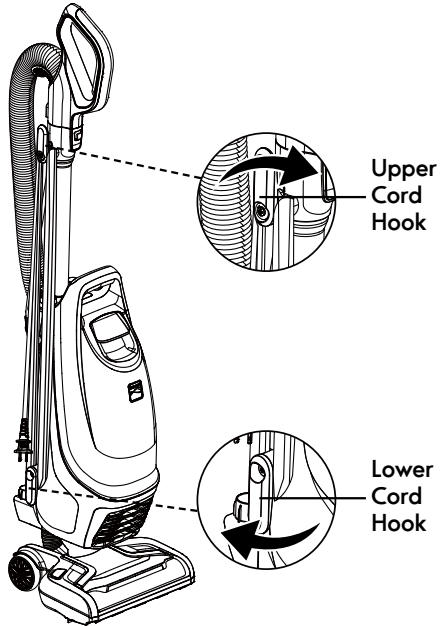


4. Insert the hose into body until you hear a 'click'.

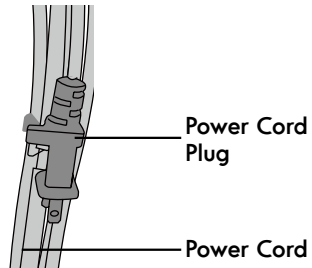


5. Make sure the upper and lower cord hooks are in the proper position as shown. Wrap the power cord loosely around the upper and lower cord hooks.

NOTE: Make sure to wrap the power cord around the upper cord hook first, and then around the lower cord hook to avoid damaging the power cord.



6. Lock power cord plug onto the power cord.



WARNING

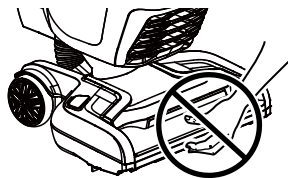
Electrical Shock and Personal Injury Hazard.

Wrapping the cord too tightly with excessive stress on the cord may cause cord damage. A damaged cord is an electrical shock hazard and could cause personal injury or damage.

OPERATING INSTRUCTIONS

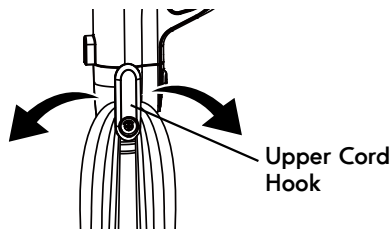
CAUTION

Moving parts! To reduce the risk of personal injury, DO NOT touch the brushroll when vacuum is on. Contacting the brushroll while it is rotating can cut, bruise or cause other injuries. Always turn off after operation. Use caution when operating near children or pets.



POWER CORD – RELEASE & USE

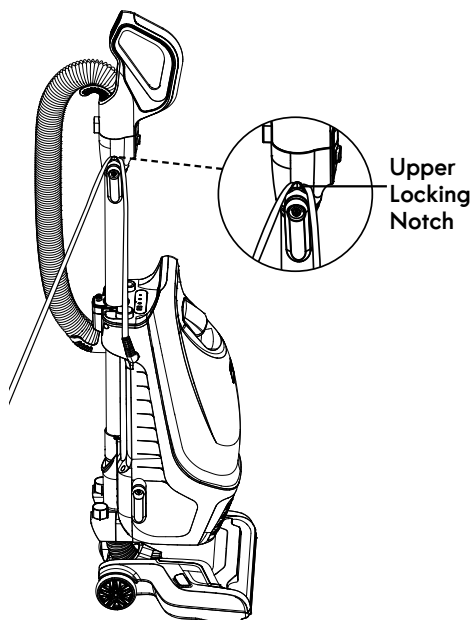
1. Turn the upper cord hook to either side and down to release the power cord.



WARNING

To reduce the risk of electric shock, this appliance has a polarized plug (one blade is wider than the other). This plug will fit in a polarized outlet only one way. If the plug does not fit fully in the outlet, reverse the plug. If it still does not fit, contact a qualified electrician to install the proper outlet. Do not change the plug in any way.

2. Detach the power cord plug from the power cord.
3. Be sure the power cord is locked into the upper locking notch as shown. This will help manage the power cord when operating the vacuum cleaner.



4. Plug the power cord plug into an outlet located near the floor.

POWER CORD - RELEASE & USE



WARNING

Personal Injury and Product Damage Hazard

- When any abnormality/failure occurs, stop using the product immediately and disconnect the power plug.
- DO NOT use outlets above counters. Damage from cord to items in surrounding area could occur.

5. Press the On/Off button to turn the vacuum cleaner on.
6. Once you have completed vacuuming, press the On/Off button; unplug the power cord plug from the outlet.

7. To restore power cord after use, turn upper cord hook to the upright position. Then wrap cord loosely around cord hooks.



WARNING

Electrical Shock and Personal Injury Hazard

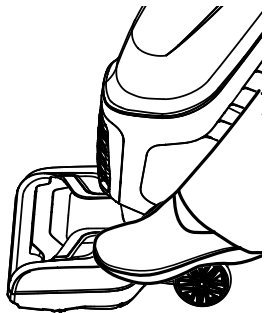
Wrapping the cord too tightly puts stress on the cord and can cause cord damage. A damaged cord is an electrical shock hazard and could cause personal injury or damage.

OPERATION MODES

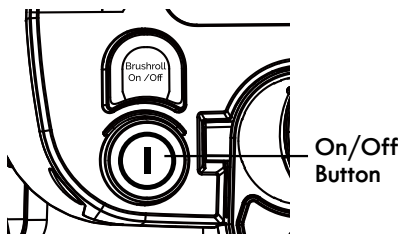
UPRIGHT MODE

NOTE: Make sure the vacuum cleaner is completely assembled. Do not operate vacuum cleaner without dust bag in place.

1. Release the handle by placing foot on the nozzle and pull back to change handle position.



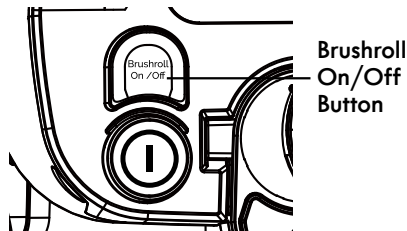
2. Turn on the vacuum cleaner by pressing the On/Off button for cleaning bare floor.



NOTE: Your vacuum cleaner has two cleaning modes: one dedicated for bare floor and one for carpets. The vacuum turns on in carpet cleaning mode, which means the brushroll is spinning. To switch to bare floor mode, simply press the Brushroll On/Off button to turn the brushroll off. We do not recommend vacuuming with the brushroll on when cleaning bare floors as this may damage your floor.

OPERATION MODES

3. Press the Brushroll On/Off button for cleaning carpets.
4. Once the vacuum is on, operate the vacuum cleaner by tilting the wand back towards you and the nozzle is flush with floor surface.



Brushroll On/Off Button

NOTE: The brushroll rotates when the vacuum cleaner is in this position.

NOTE: Brushroll does not rotate in either mode when handle is in fully upright position.



CAUTION

Do not allow the vacuum cleaner to remain in one spot for any length of time when the brushroll is turning. Damage to carpet may occur.

5. Once you have completed vacuuming, press the On/Off button again and unplug the power cord from the power outlet.

NOTE: If the brushroll is turned on, first press the Brushroll On/Off button to stop the brushroll, and then press the On/Off button to turn off the vacuum.

BAG FILL LEVEL INDICATOR

As the dust bag fills with dirt and debris, an indicator near the wand can be used to estimate the level of bag fill. Once all LEDs are illuminated red, the bag should be replaced. See page 18-19 for the dust bag replacement instructions.

Bag Fill Level Indicator	Bag Fill Level
One LED light (furthest left), green continuous	Lights progressively illuminate to show the bag is filling.
Two LED lights, orange continuous	
Three LED lights, orange continuous	Replace the bag when all LED lights begin to illuminate red continuously.
Four LED lights, red continuous	



CAUTION

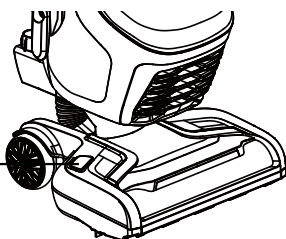
Make sure the dust bag is replaced when all LED lights begin to illuminate red continuously. If not, the LED lights will flash red. If the red flashing remains after replacing the dust bag, check and clean the air path as it is blocked.

Bag Fill Level

Empty ● ● ● Replace bag Full

BRUSHROLL STATUS INDICATOR

Brushroll Status Indicator	Status
Green LED Lights	The brushroll is spinning and working as it should.
Red LED Lights	There is a jam in the brushroll area. Turn off and unplug the vacuum, and remove any blockages in the nozzle.
No LED Lights	The brushroll is off.



Brushroll Status Indicator

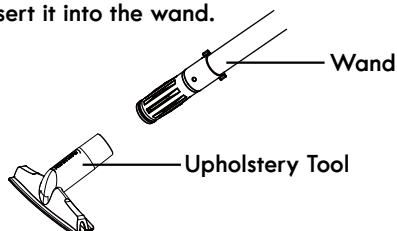
OPERATION MODES

ABOVE FLOOR MODE

1. Place the vacuum cleaner in the upright locked position.
2. Press the wand release button and lift up the wand for above floor cleaning.

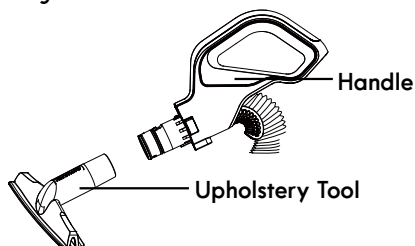


3. Choose the desired attachments and insert it into the wand.



4. Turn on the vacuum cleaner by pressing the On/Off Button.
5. Once you have completed vacuuming, press the On/Off button again and unplug the power cord from the power outlet.

NOTE: The attachments also can insert directly into the handle for above floor cleaning.



CAUTION

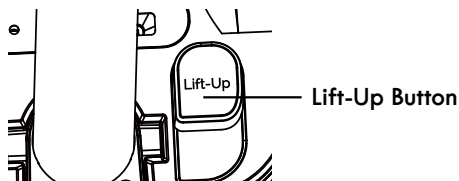
When using attachments, be careful not to over extend the stretch hose when reaching. Trying to reach beyond the hose stretch capability could cause the vacuum cleaner to tip over.

CAUTION

DO NOT pull the vacuum cleaner around the room by the hose. Property damage or personal injury could result.

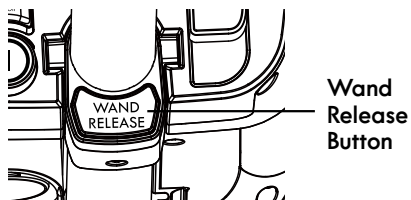
LIFT UP MODE

1. Place the vacuum cleaner in the upright locked position.
2. Press lift-up button and lift up the body for portable carry.



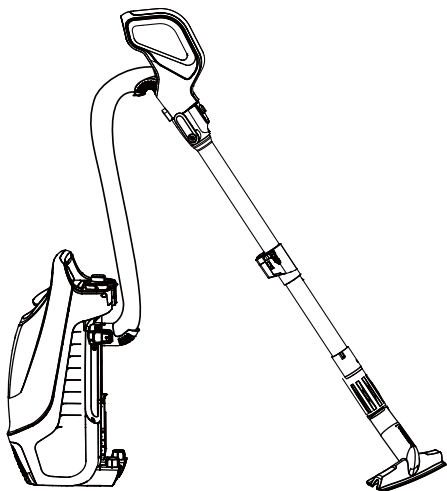
3. Press the wand release button and lift up the wand for cleaning stairs or other hard to reach places.

NOTE: Make sure the power cord is released from the cord hooks before lifting up the wand.



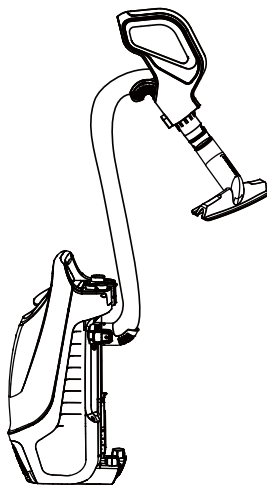
LIFT UP MODE

4. Choose the desired attachments and insert it into the wand.



5. Turn on the vacuum cleaner by pressing the On/Off Button.
6. Once you have completed vacuuming, press the On/Off button again and unplug the power cord from the power outlet.

NOTE: The attachments also can insert directly into the handle.



CAUTION

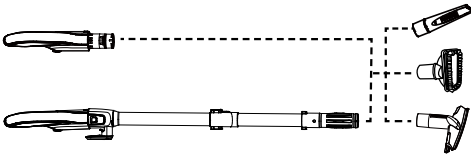
When using attachments, be careful not to over extend the stretch hose when reaching. Trying to reach beyond the hose stretch capability could cause the vacuum cleaner to tip over.

CAUTION

DO NOT pull the vacuum cleaner around the room by the hose. Property damage or personal injury could result.

ATTACHMENTS

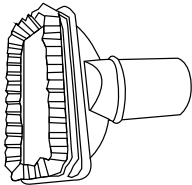
All included accessory tools can be inserted into either the handle or the wand.



DELUXE DUSTING BRUSH

Slide the collar of the brush into the open end of the hose or wand.

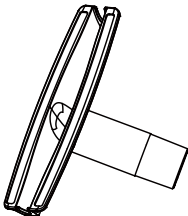
Use the deluxe dusting brush for cleaning loose surfaces such as drapes, furniture or walls. See ATTACHMENT USE TABLE (page 15).



UPHOLSTERY TOOL

The upholstery tool can be attached to the end of the handle and the wand. Slide the collar of the tool into the open end of the handle or wand.

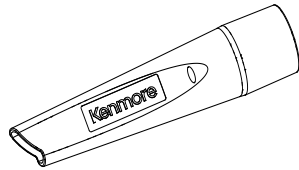
Use the upholstery tool for cleaning upholstery and fabric surfaces such as sofas and drapes. See ATTACHMENT USE TABLE (page 15).



CREVICE TOOL

Slide the collar of the tool into the open end of the hose or wand.




Use the crevice tool for cleaning in tight spaces such as furniture, between cushions, and stairs. See ATTACHMENT USE TABLE (page 15).



CAUTION

Use attachments when the vacuum cleaner is upright.

ATTACHMENT USE TABLE

CLEANING AREA							✓ = Applicable
ATTACHMENT	Furniture*	Between Cushions*	Drapes*	Stairs		Baseboards	
				Carpet	Bare		
DELUXE DUSTING BRUSH 	✓		✓				
UPHOLSTERY TOOL 	✓		✓				
CREVICE TOOL 	✓	✓		✓	✓	✓	

*Always clean attachments before using on fabrics.

PERFORMANCE/SAFETY FEATURES

THERMAL PROTECTOR

This vacuum cleaner has a thermal protector which automatically trips to protect the vacuum cleaner suction motor. If a clog prevents the normal flow of air to the motor, the thermal protector turns the motor off automatically. This allows the motor to cool in order to prevent possible damage to the vacuum cleaner.

To reset thermal protector: Turn the vacuum cleaner off and unplug the power cord from the outlet to allow the vacuum cleaner to cool and the thermal protectors to reset.



CAUTION

Always return the vacuum cleaner to the upright position before using the hose and attachments. Failure to do so may result in overheating of the brushroll motor and can cause the thermal protectors to trip.

Check for and remove clogs, and replace dust bag if necessary. Also check and clean any clogged filters. Wait approximately 50 minutes before restarting vacuum cleaner.

BY-PASS VALVE

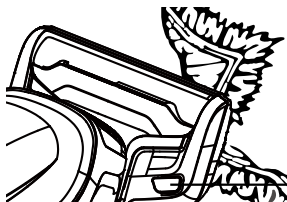
This vacuum cleaner has a By-Pass Valve which prevents motor overheating and damage. The valve opens to provide cooling air when a clog prevents normal air flow to the vacuum cleaner suction motor. You will notice a change of sound as air rushes through the valve opening.

To correct the problem: remove any clogs, check and replace filters if needed, check and install new dust bag if needed.

NOTE: The By-Pass Valve may open when using attachments or when cleaning new carpet due to reduced airflow or air path is blocked, caused by the attachments themselves or by new carpet lint filling the dust bag quickly.

BRUSHROLL RESET

The brushroll has built-in protection against motor damage should the brushroll jam. If the brushroll slows down or stops, the brushroll overload protector shuts off the brushroll motor and the brushroll status indicator emits red light. The vacuum cleaner suction motor will continue to run.



Brushroll Status Indicator

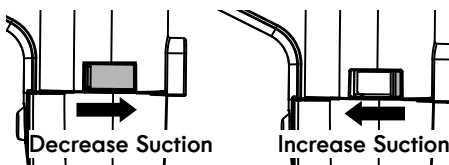
To solve the problem: Turn off and unplug vacuum cleaner, remove obstruction, then turn on the vacuum cleaner.

NOTE: Once the brushroll motor shuts down, clear jam from brushroll and then restart the vacuum cleaner. If the problem persists, contact the vacuum cleaner help line for assistance.

SUCTION CONTROL

To assist with push/pull force of the vacuum on surfaces like thick carpet, the suction control valve can be opened to help reduce suction. Note that for best cleaning results, the suction control valve must be fully closed.

- Slide to right to open the suction control and decrease suction. Opening control decreases suction for draperies and lightweight rugs.
- Slide to left to close the suction control and increase suction. Closing control increases suction for upholstery and carpets.



VACUUM MAINTENANCE AND CARE

Always follow all safety precautions when performing maintenance to the vacuum cleaner.

WARNING

Electrical Shock and Personal Injury Hazard

Disconnect electrical supply before servicing or cleaning the vacuum cleaner. Failure to do so could result in electrical shock or personal injury from vacuum cleaner suddenly starting.

CLEANING EXTERIOR AND ATTACHMENTS

1. Turn off and unplug vacuum cleaner. DO NOT drip water on vacuum cleaner.
2. To clean exterior, or to reduce static electricity and dust build-up, wipe outer surface with a clean, soft cloth that has been dipped in a solution of mild liquid detergent and water, then wrung dry. Wipe dry after cleaning.

NOTE: Wash attachments in warm soapy water, rinse and air dry. Do not clean in dishwasher.

CAUTION

Do not use attachments if they are wet. Attachments used in dirty areas, such as under a refrigerator, should not be used on other surfaces until they are washed. They could leave marks.

VACUUM CLEANER STORAGE

WARNING

Electrical Shock and Personal Injury Hazard

Wrapping the cord too tightly puts stress on the cord and can cause cord damage. A damaged cord is an electrical shock hazard and could cause personal injury or damage.

1. Place the flexible hose and attachments in storage position if necessary (see page 7 & 8).
2. Gather the cord and wrap it loosely around the upper and lower cord hooks. Lock plug retainer onto the power cord. See page 8.
3. Store the vacuum cleaner in a dry, indoor area, on the floor with the handle locked in the upright position.

DUST BAG REPLACEMENT

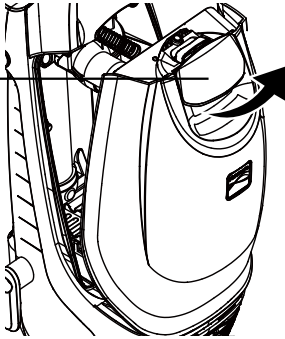


WARNING

Always unplug power cord from electrical outlet before performing any service on vacuum cleaner.

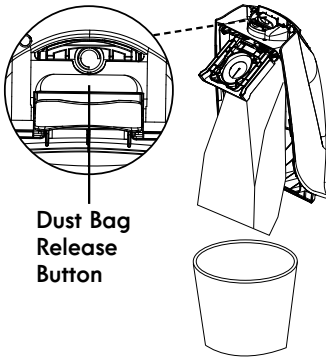
1. Pull bag chamber cover release handle out and up, hold the cover using the handle.

Dust Bag Chamber Cover Release

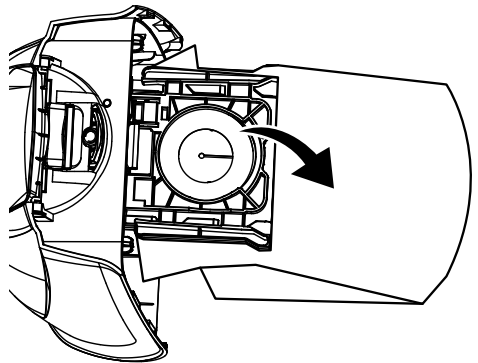
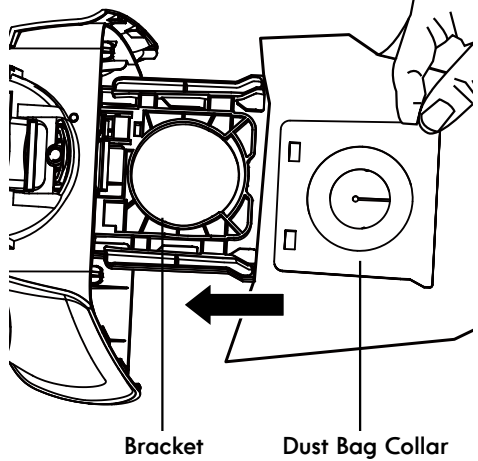


NOTE: Do not press the dust bag release button when release bag chamber cover, or the dust bag will drop down automatically.

2. Tilt the bag chamber as shown. Press Dust Bag Release button and the dust bag drops down automatically.



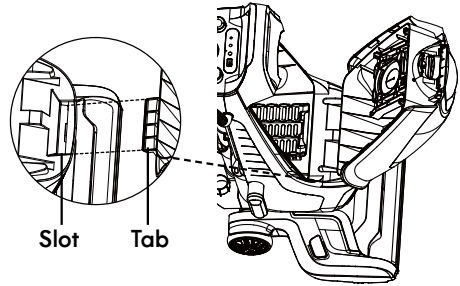
3. To install a new dust bag, insert the dust bag collar into bracket until you hear a 'click', and then rotate bracket down until another 'click' can be heard. Tuck the bag into the dust bag chamber. Be sure all sides of the dust bag are flat within the bag chamber.



DUST BAG REPLACEMENT

- Place the tab on the dust bag chamber cover in the slot on the vacuum cleaner. Push the dust bag chamber cover into place until a 'click' is heard.

NOTE: Make sure the dust bag is locked into place before pushing the dust bag chamber cover. The dust bag chamber cover can't be assembled successfully if dust bag is missing or not installed into place.



FOAM FILTER CLEANING



WARNING

Electrical Shock Hazard

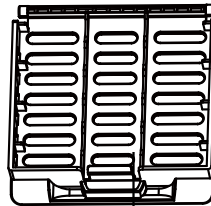
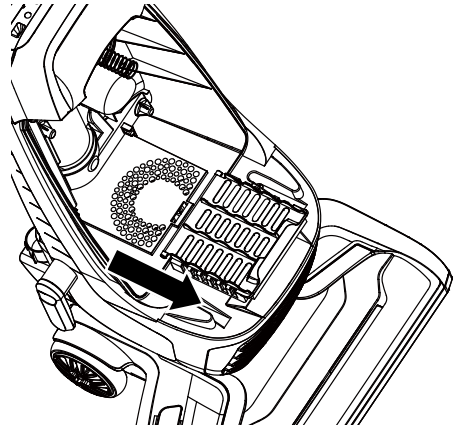
Unplug power cord from electrical outlet. Do not operate the vacuum cleaner without the foam filter. Be sure the filter is dry and properly installed to prevent motor failure and/or electrical shock.

Clean the foam filter with cold water as needed.

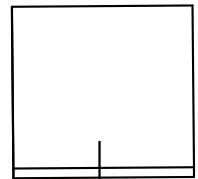
NOTE: When the cleaning of filters no longer restores vacuum cleaner suction to full power, or the filters are worn or broken, replace the filters. To purchase filters, call 1-844-608-3080 (US) / 1-844-608-3081 (CA).

Regularly clean and replace the filters to keep the vacuum's suction power optimal.

- Remove the dust bag as outlined in the DUST BAG REPLACEMENT section (page 18-19).
- Remove the foam filter cover and the foam filter.



Foam Filter Cover



Foam Filter

FOAM FILTER CLEANING

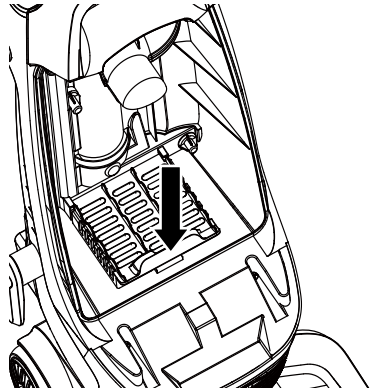
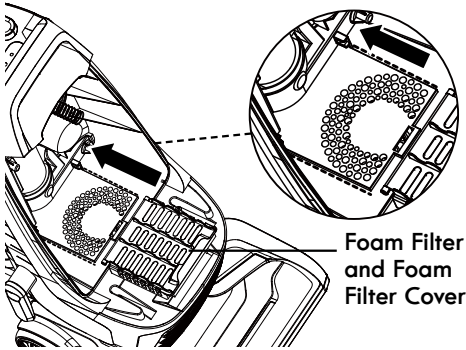
3. Wash the filter in warm soapy water, rinse and dry thoroughly by squeezing the excess water out of the filter and allowing to air dry for 24 hours.

NOTE: DO NOT operate without foam filter installed.

DO NOT wash in the dishwasher.

DO NOT install foam filter if damp.

4. Reinstall the foam filter into the foam filter cover and slide it to the slots until it is in place. Press the cover to lock it into place until a 'click' can be heard.



NOTE: Replace the foam filter if it is worn or broken.

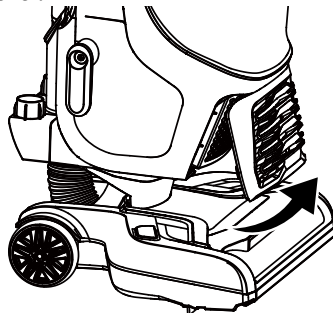
5. Reinstall the dust bag as outlined in the DUST BAG REPLACEMENT section (page 18-19).

HEPA MEDIA EXHAUST FILTER CLEANING

It is recommended to clean the HEPA media exhaust filter with cold water every year.

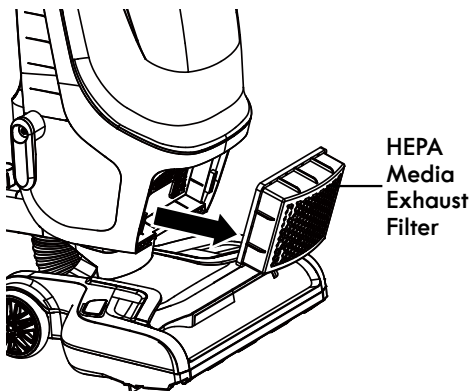
NOTE: When the cleaning of the filter no longer restores vacuum cleaner suction to full power, or the filter is worn or broken, replace the exhaust filter. To purchase the exhaust filter, call 1-844-608-3080 (US) / 1-844-608-3081 (CA).

1. Remove exhaust filter cover by pulling the tab outward at the bottom of the cover.



HEPA MEDIA EXHAUST FILTER CLEANING

2. Remove the HEPA media exhaust filter from vacuum cleaner.



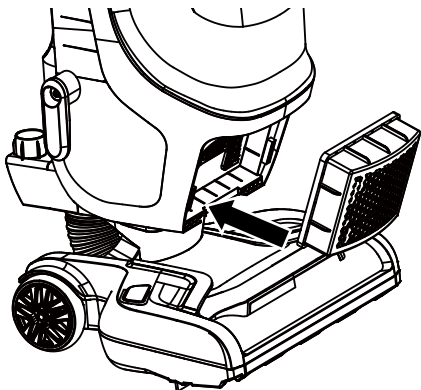
3. Wash with cold water only, DO NOT use detergent or soap. Allow to air dry. Allow parts to dry 24 hours before putting back into vacuum cleaner.

NOTE: DO NOT operate without post-motor filter installed.

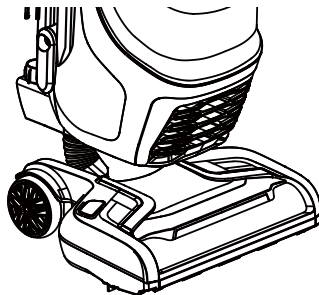
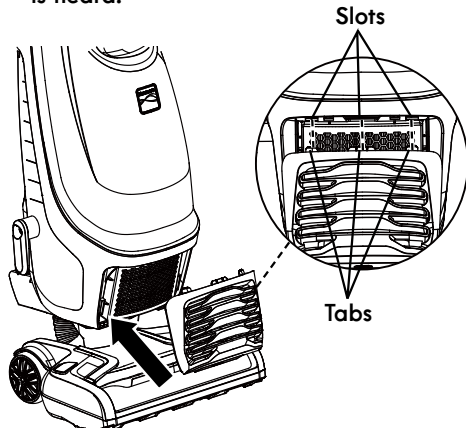
DO NOT wash in the dishwasher.

DO NOT install the filter if damp.

4. Reinstall the HEPA media exhaust filter into the vacuum cleaner.



5. Insert the exhaust filter cover tabs into the upper slots and lock the exhaust filter cover into place by pressing the release tab under the cover until a click is heard.



NOTE: Make sure the exhaust filter cover is properly installed.

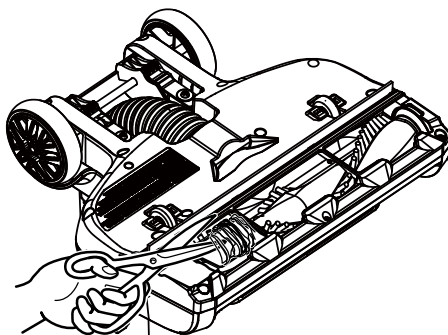
BRUSHROLL CLEANING



WARNING

Always unplug the power cord from an electrical outlet before performing maintenance to the vacuum cleaner.

To maintain efficient cleaning, the brushroll must be kept free of carpet fiber, string, or hair build-up. If the brushroll is jammed, unplug and turn vacuum cleaner over and check brushroll for fiber and hair build-up. Use scissors to remove any build-up entangled around the brushroll. Cleaning the brushroll periodically is recommended for best performance.



REMOVING CLOGS



WARNING

Disconnect electrical supply before removing clogs. Failure to do so could result in electrical shock or personal injury.

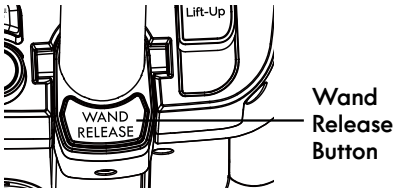
CHECKING FLEXIBLE HOSE FOR CLOGS

If there is noticeable abnormal noise when using the vacuum or the suction power suddenly drops, it is necessary to check the air path for clogs.

Frequently check air path to make sure it is free of obstructions.

NOTE: The four LED lights of bag fill level indicator flash red when the air path is blocked.

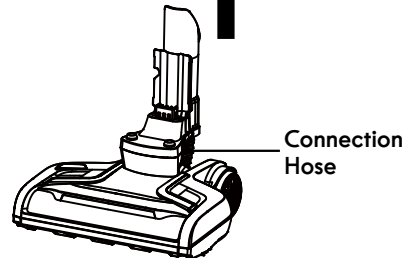
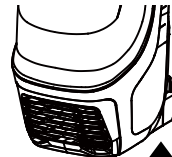
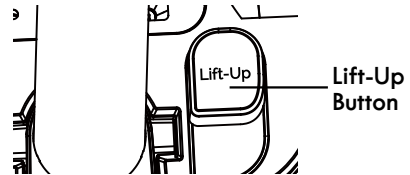
1. Release the wand from the body and make sure that attachments are removed from the wand.



2. Check and remove any clogs in the flexible hose and wand.
3. Reinstall the wand to the vacuum cleaner. See ASSEMBLY (page 7).

CHECKING CONNECTION HOSE FOR CLOGS

To separate the body from the nozzle, press the Lift-Up button and lift up the body.



1. Check and remove any clogs in the connection hose.
2. Reattach the nozzle onto the vacuum body.

TROUBLESHOOTING

Review this table to find do-it-yourself solutions for minor performance problems. Any service needed, other than maintenance described in this Use & Care Guide, should be performed by a qualified service agent.



WARNING

Disconnect electrical supply before performing maintenance to the vacuum cleaner. Failure to do so could result in electrical shock or personal injury.

PROBLEM	POSSIBLE CAUSE	SOLUTION
Vacuum cleaner won't run.	Unplugged at wall outlet.	Plug in firmly, press the On/Off button.
	The On/Off button is not pressed to start the vacuum cleaner.	Press the On/Off button to start the vacuum cleaner.
	Defective wall outlet.	Check with a good appliance or lamp. Have outlet properly serviced.
	The vacuum body is overheated.	Unplug the power cord and let the vacuum cool down for 50 minutes.
	The motor is damaged.	Call 1-844-608-3080 (US) / 1-844-608-3081 (CA) for assistance.
Poor job of dirt pick-up.	The hose and attachments are not installed correctly.	Check the hose and attachments for correct installation and ensure they are snapped firmly in place.
	Dust bag is not installed correctly.	Check dust bag for correct installation and ensure it is snapped firmly in place.
	Full or clogged dust bag.	Change the dust bag (page 18-19).
	There is a clog in the air path.	Check and remove all clogs. Follow instructions on page 23.
	Suction control is in open position.	Adjust the suction control to increase suction. Follow instructions on page 16.
	The foam filter or HEPA media exhaust filter needs to be cleaned or replaced.	Clean or replace the foam filter or HEPA media exhaust filter. Follow the foam filter cleaning or HEPA media exhaust filter cleaning instructions on page 19-20 or 20-21.
	The hose is worn.	Replace the hose assembly. To purchase parts, call 1-844-608-3080 (US) / 1-844-608-3081 (CA).
	The brushroll is worn.	Call 1-844-608-3080 (US) / 1-844-608-3081 (CA) for assistance.
The belt is worn or broken.	Call 1-844-608-3080 (US) / 1-844-608-3081 (CA) for assistance.	

TROUBLESHOOTING

Dust escapes from vacuum.	Dust bag or dust bag chamber cover is not installed correctly.	Check the dust bag or dust bag chamber cover for correct installation and ensure they are snapped firmly in place. Follow instructions on page 18-19.
	HEPA media exhaust filter is installed incorrectly.	Check exhaust filter for correct installation. Follow instructions on page 20-21.
	The dust bag is worn or broken.	Check and replace the dust bag.
	Foam filter or HEPA media exhaust filter is worn or broken.	Check and replace the foam filter or the HEPA media exhaust filter.
Brushroll does not turn.	Handle is in fully upright position.	Move handle from the fully upright position.
	Brushroll On/Off button is not pressed to start the brushroll.	Press the Brushroll On/Off button to start the brushroll.
	Brushroll is jammed.	Remove obstruction. Follow instructions on page 22.
	Brushroll is not installed correctly.	Call 1-844-608-3080 (US) / 1-844-608-3081 (CA) for assistance.
	The belt is not routed correctly.	Call 1-844-608-3080 (US) / 1-844-608-3081 (CA) for assistance.
Sound changes.	Fault in PCB section of the motorized nozzle.	Call 1-844-608-3080 (US) / 1-844-608-3081 (CA) for assistance.
	Exhaust filter cover is installed incorrectly.	Position exhaust filter cover correctly and snap firmly into place. Follow instructions on page 21.
	Air path is blocked.	Check for and remove any clogs and clean the air path. Follow instructions on page 23.
Vacuum turns off on its own.	Attachments use restricts air flow.	Check attachments for fuzz, lint, pet hair or other debris.
	The power cord plug is loose from the outlet when using the vacuum.	Reinsert the power cord plug fully into the outlet. Avoid pulling or dragging the power cord when using the vacuum.
	Thermal protector is activated.	Turn the vacuum cleaner off and unplug it. Check the air path and dust bag. Allow the vacuum cleaner to cool for a minimum of 50 minutes. Plug in vacuum and turn it on.
Brushroll status indicator light emits red.	The motor is damaged.	Call 1-844-608-3080 (US) / 1-844-608-3081 (CA) for assistance.
	There is a jam in the brushroll area.	Turn off and unplug the vacuum. Remove any blockages in the brushroll. See page 22.
Dust bag chamber cover can't be installed.	The brushroll is worn or broken.	Call 1-844-608-3080 (US) / 1-844-608-3081 (CA) for assistance.
	Dust bag is missing or not installed into place.	Position dust bag correctly and snap firmly into place. Follow instructions on page 18-19.

TABLA DE CONTENIDOS

Antes de usar su nueva aspiradora.....	1
Lista de piezas incluidas	1
Instrucciones de seguridad importantes.....	2-3
Garantía de la aspiradora	4
Piezas y características	5
Instrucciones de ensamblaje.....	6-7
Instrucciones de uso	8-14
Desempeño/características de seguridad.....	15
Mantenimiento y cuidado de la aspiradora.....	16-22
Resolución de problemas.....	23-25

ANTES DE USAR SU NUEVA ASPIRADORA

Lea esta guía de uso y cuidado. Lo ayudará a ensamblar y operar su nueva aspiradora Kenmore de la manera más segura y efectiva posible.

Para obtener más información sobre los cuidados y el funcionamiento de la aspiradora, llame a la línea de ayuda de la aspiradora al 1-844-608-3080 (US) / 1-844-608-3081 (CA). Necesitará el modelo completo y los números de serie al solicitar información.

El modelo de su aspiradora y los números de serie se ubican en la placa de modelo y número de serie. Use el siguiente espacio para registrar el número de modelo y el número de serie de su nueva aspiradora Kenmore.

N° de modelo _____

N° de serie _____

Fecha de compra _____

Guarde este libro y su boleta (recibo) de venta en un lugar seguro para usarlos como referencia a futuro.

LISTA DE PIEZAS INCLUIDAS

Su ASPIRADORA CON BOLSA KENMORE INTUITION[®] incluye las siguientes piezas y componentes ya ensamblados por separado en la caja:

- | | |
|-----------------------------|-----------------------------------|
| 1 Aspiradora vertical | 1 Empuñadura |
| 1 Herramienta de grietas | 1 Vara |
| 1 Manguera flexible | 1 Plumero Redondo para polvo fino |
| 1 Herramienta para tapizado | 1 Guía de uso y cuidado |

INSTRUCCIONES DE SEGURIDAD IMPORTANTES

Lea todas las instrucciones de esta guía antes de ensamblar o usar su aspiradora.

ADVERTENCIA

Su seguridad es importante para nosotros. Para reducir el riesgo de incendio, descarga eléctrica, lesiones a personas o daños al utilizar su aspiradora, siga las precauciones de seguridad básicas, incluidas las siguientes:

- Utilice su aspiradora indica en esta guía de uso y cuidado. Utilice solo los accesorios recomendados por el fabricante.
- Desconecte del suministro eléctrico antes de limpiar la zona del cepillo de rodillo. No hacerlo podría provocar que el cepillo de rodillo se encienda inesperadamente, provocando lesiones personales mediante las piezas móviles.
- No deje la aspiradora sin supervisión en caso de que esté conectada. Desconéctela del tomacorriente cuando no esté en uso y antes de realizarle mantenimiento.
- Para reducir el riesgo de descarga eléctrica, no utilice el producto en exteriores ni sobre superficies mojadas.
- No permita que se utilice como un juguete. Se debe prestar estricta atención cuando el aparato lo usen niños o cuando se use cerca de ellos.
- No utilice si la enchufe o cable están dañados. Si la aspiradora no funciona como debería, si se ha caído, dañado, quedado en exteriores o si se ha caído al agua, suspenda el uso inmediatamente y llame al 1-844-608-3080 (US) / 1-844-608-3081 (CA) para obtener ayuda.
- No arroje ni transporte el aparato utilizando cable como empujador. No apriete el cable al cerrar puertas ni pase el cable cerca de bordes afilados o esquinas. No use la aspiradora sobre su cable. Mantenga el cable alejado de superficies calientes.
- No desconecte tirando del cable. Para desconectarlo tire de la enchufe, no del cable.
- No manipule la clavija o la aspiradora con las manos mojadas.
- No ponga objetos sobre las aberturas.
- No lo utilice si las aberturas están bloqueadas; tenga cuidado que no haya polvo, cabellos, pelusas en las aberturas o cualquier cosa que pueda reducir el flujo de aire.
- Mantenga su cabello, ropa suelta, dedos y partes de su cuerpo lejos de las aberturas y piezas móviles del producto.
- Apague todos los controles antes de desconectar el dispositivo.
- Tenga precaución adicional al limpiar en escaleras.
- No la ponga sobre sillas, mesas, etc. Manténgala sobre el piso.
- No utilice la aspiradora para aspirar líquidos inflamables o combustibles (gasolina, líquidos de limpieza, perfumes, etc.) ni tampoco la utilice en lugares donde tales líquidos puedan estar presentes. Los gases de esas sustancias pueden crear un peligro de incendio o explosión.
- No aspire elementos que estén en llamas o humeando, tales como cigarrillos, fósforos o cenizas calientes.
- No use la aspiradora sin el contenedor de polvo ni filtros instalados.
- Reinstale siempre la bolsa de polvo

IMPORTANT SAFETY INSTRUCTIONS

después de aspirar limpiadores o Aromatizantes de alfombras, polvo y polvillo fino. Estos productos se pegan a los filtros, reducen el caudal de aire y pueden provocar daños a la aspiradora. No reinstalar la bolsa de polvo podría causar daños permanentes a la aspiradora.

- No use la aspiradora para aspirar objetos afilados, juguetes pequeños, alfileres, sujetapapeles, etc., ya que podría dañar la aspiradora o la bolsa de polvo.
- Usted es responsable de asegurarse de que nadie capacitado para usar su aspiradora la utilice.

GUARDE ESTAS INSTRUCCIONES

El correcto ensamblaje y el uso seguro de su aspiradora son su responsabilidad. Su aspiradora está hecha sólo para uso doméstico. Lea esta guía de uso y cuidado para obtener información importante sobre uso y seguridad. Esta guía contiene afirmaciones de seguridad bajo símbolos de advertencia y precaución.

GARANTÍA DE LA ASPIRADORA

GARANTÍA LIMITADA

DURANTE UN AÑO a contar de la fecha de venta, este producto está garantizado contra defectos en sus materiales o fabricación.

Un producto defectuoso puede reemplazarse por uno nuevo, de manera gratuita, considerando que se presente una PRUEBA DE VENTA.

La marca Kenmore se utiliza bajo licencia. Dirija sus reclamaciones de garantía a:
1-844-608-3080 (US) / 1-844-608-3081 (CA).

Esta garantía no cubre los filtros ni correas, las cuales son piezas desechables que pueden desgastarse debido al uso normal dentro del periodo de garantía.

Esta garantía queda nula si el producto llega a usarse para algún propósito que no sea el uso privado doméstico. Esta garantía le entrega derechos legales específicos que pueden variar según su estado (podría tener otros derechos adicionales).

Cleva North America, Inc., Greenville SC 29607

PIEZAS Y CARACTERÍSTICAS

Es importante conocer las partes y características de su aspiradora para garantizar su uso adecuado y seguro. Revise estas indicaciones antes de usar su aspiradora.

PIEZAS DE REPUESTO

Artículo	Pieza No. (US)	Pieza No. (CA)
Filtro de espuma	561060125	561060125
Filtro de escape de medios HEPA	561055118	561055118
Herramienta para tapizado	561055176	561055176
Herramienta para hendiduras	561065101	561065101
Bolsa para polvo (paquete de 6)	1B600	63296
Varas de extensión	561070102	561070102
Manguera flexible (con empuñadura)	561070101	561070101
Cepillo para polvo de lujo	561060177	561060177
Kit de filtro (escape HEPA + filtro de espuma)	561060184	561060184

Para solicitar una pieza de repuesto, llame al 1-844-608-3080 (US) / 1-844-608-3081 (CA).



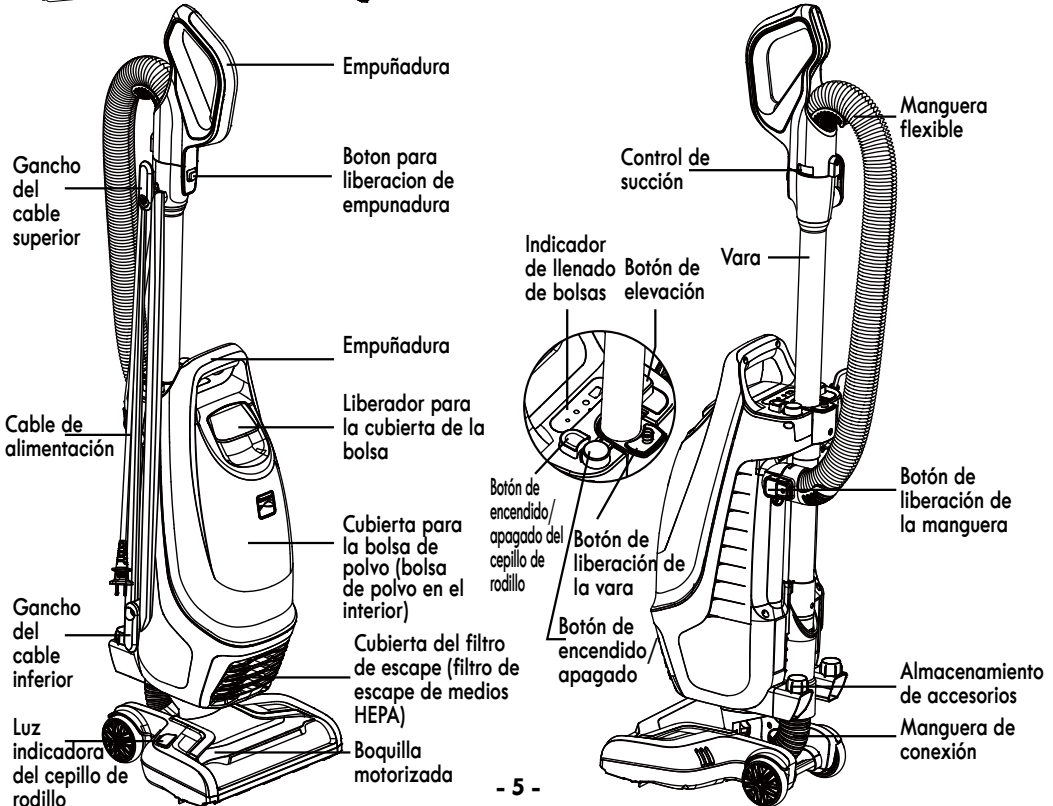
Plumero Redondo para polvo fino



Herramienta para tapizado



Herramienta de grietas



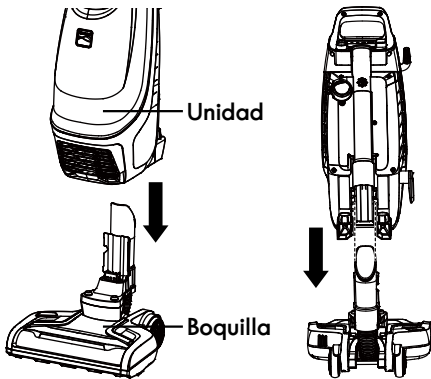


Preste especial atención a estos cuadros de alerta de peligro y siga todas las instrucciones indicadas. Las declaraciones de **ADVERTENCIA** lo alertan sobre riesgos tales como incendio, descarga eléctrica, quemaduras y lesiones personales. Las declaraciones de **PRECAUCIÓN** lo alertan sobre riesgos tales como lesiones personales o daño a la propiedad.

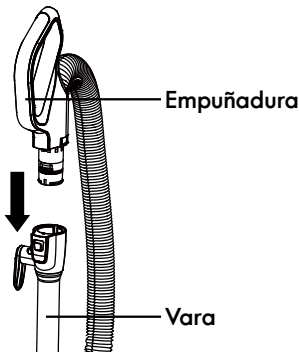
INSTRUCCIONES DE ENSAMBLAJE

Antes de armar la aspiradora, revise la **LISTA DE PIEZAS INCLUIDAS** (página 2). Utilice esta lista para comprobar que ha recibido todos los componentes de su nueva aspiradora vertical con bolsa Kenmore Intuition®.

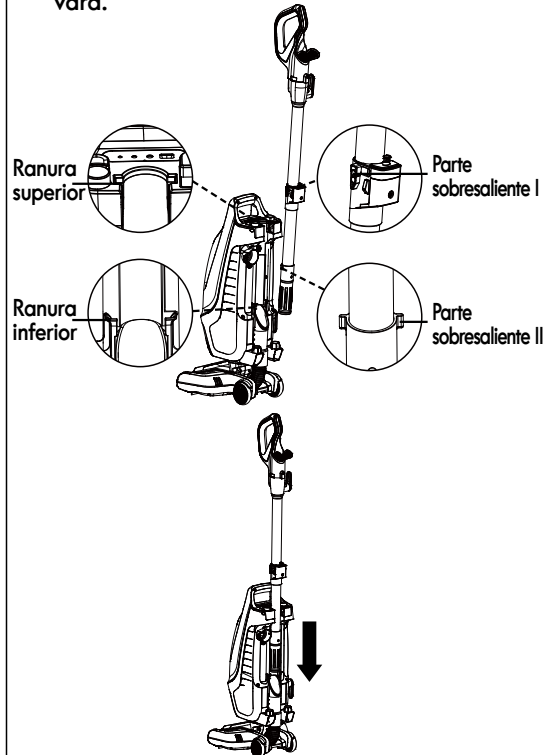
1. Para colocar la unidad en la boquilla, colóquela sobre la boquilla y alinee el cuello de la boquilla con las guías de la unidad y déjela caer lentamente hasta escuchar un "clic".



2. Inserte la empuñadura hacia la vara hasta escuchar un "clic".

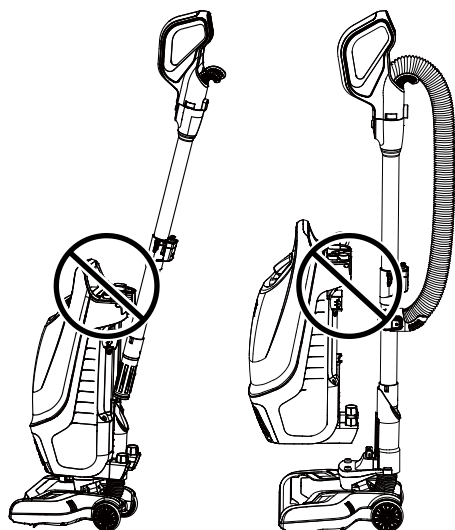


3. Coloque la vara paralela a la unidad, asegurándose de que la parte sobresaliente esté bajo la ranura superior como se indica. Luego, presione la vara hacia la unidad e insértela hacia abajo, hacia el cuello de la boquilla. Asegúrese de que la parte sobresaliente 1 quede segura hacia la ranura superior y la parte sobresaliente 2 hacia la ranura inferior. Escuchará un "clic" al haber completado el ensamblaje de la vara.

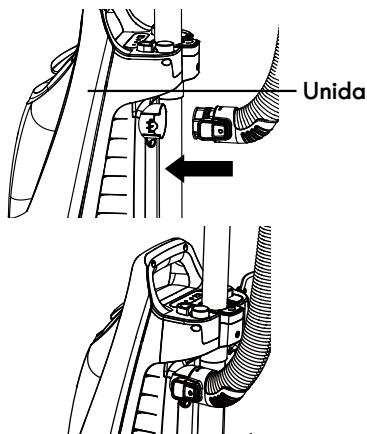


INSTRUCCIONES DE ENSAMBLAJE

NOTA: NO incline la vara para insertarla hacia el cuello de la boquilla. NO inserte la vara antes de colocar la unidad en la boquilla.

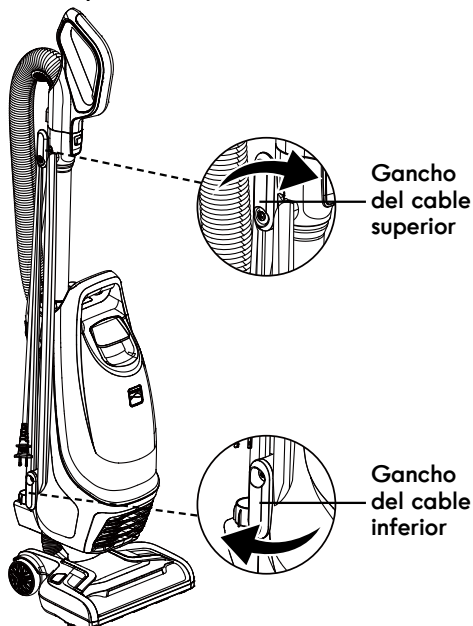


4. Inserte la manguera hacia la unidad hasta escuchar un "clic".

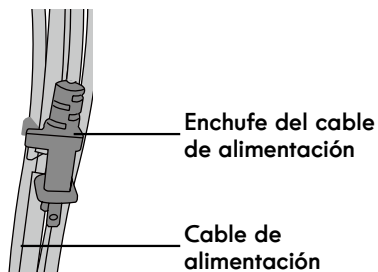


5. Asegúrese de que los ganchos superior e inferior del cable estén en la posición correcta como se indica. Envuelva el cable de alimentación sin apretar alrededor de los ganchos del cable superior e inferior.

NOTA: asegúrese de enrollar el cable de alimentación en el gancho superior primero y, luego, alrededor del gancho inferior para así evitar dañar el cable.



6. Fije el enchufe del cable de alimentación en el cable de alimentación.



ADVERTENCIA

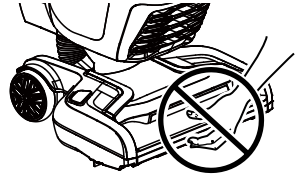
riesgo de descarga eléctrica y lesiones personales.

Enrollar el cable demasiado firme y con tensión excesiva puede provocar daños. Un cable dañado representa un peligro de descarga eléctrica y podría causar lesiones a las personas o daños.

INSTRUCCIONES DE USO

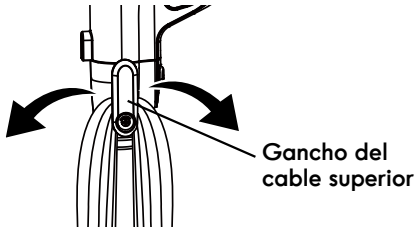
PRECAUCIÓN

¡Piezas móviles! Para reducir el riesgo de lesiones personales, **NO** toque el cepillo de rodillo mientras la aspiradora esté encendida. Tocar el cable de rodillo mientras está girando puede cortar, golpear o provocar otras lesiones. Apague siempre después de usar. Tenga cuidado al usarlo cerca de niños o mascotas.



CABLE DE ALIMENTACIÓN: LIBERACIÓN Y USO

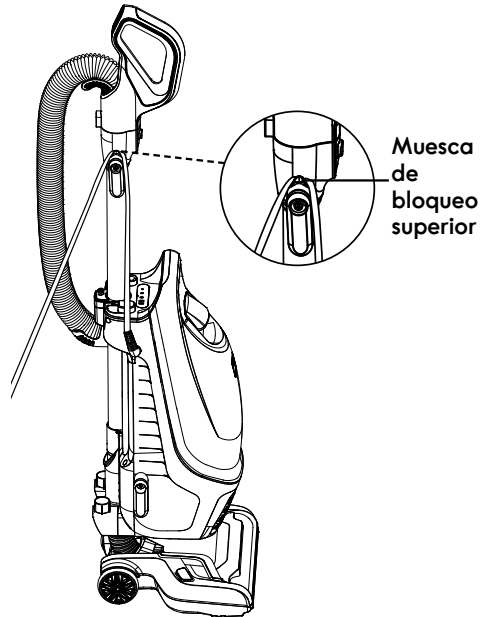
1. Gire el gancho superior del cable hacia cualquier lado y abajo para liberar el cable de alimentación.



ADVERTENCIA

Para reducir el riesgo de descarga eléctrica, este electrodoméstico posee un enchufe polarizado (una punta es más ancha que la otra). Este enchufe calzará en la toma de corriente de pared polarizado solo en una posición. Si el enchufe no entra completamente en la toma de corriente, póngala al revés. Si aún no calza, contacte a un técnico electricista calificado que pueda ayudarle a instalar la toma de corriente indicado. No modifique la clavija de ningún modo.

2. Separe el enchufe del cable de alimentación.
3. Asegúrese de que el cable de alimentación esté bloqueado en la muesca de bloqueo superior como se indica. Esto ayudará a controlar el cable de alimentación mientras se está usando la aspiradora.



4. Enchufe el cable de alimentación a un tomacorriente que se encuentre cerca del piso.

CABLE DE ALIMENTACIÓN: LIBERACIÓN Y USO



ADVERTENCIA

riesgo de daños al producto y lesiones personales

- Cuando ocurra una anomalía/falla, deje de usar el producto inmediatamente y desconecte el enchufe.
- **NO** utilice tomacorrientes que estén sobre mesones o mesas. El cable podría dañar algunos artículos o al área circundante.

5. Presione el botón de encendido/apagado para encender la aspiradora.
6. Cuando haya terminado de aspirar, presione el botón de encendido/apagado y desconecte el enchufe de la toma de corriente.

7. Para restablecer el cable después del uso, coloque el gancho superior del cable en posición recta. Luego, enrolle el cable con holgura en los ganchos.



ADVERTENCIA

riesgo de descarga eléctrica y lesiones personales

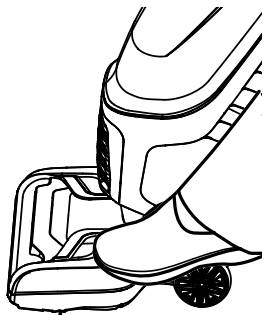
Enrollar el cable demasiado firme aplica tensión sobre el mismo y puede provocar daños. Un cable dañado es un peligro de descarga eléctrica y podría provocar lesiones personales o daños.

MODOS DE FUNCIONAMIENTO

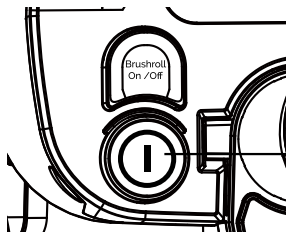
MODO RECTO

NOTA: asegúrese de que la aspiradora esté completamente ensamblada. No use la aspiradora sin la bolsa de polvo instalada.

1. Libere el agarre colocando su pie sobre la boquilla y tire para cambiar la posición de agarre.



2. Para limpiar pisos lisos, encienda la aspiradora presionando el botón de encendido/apagado.



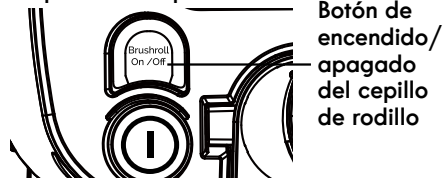
Botón de encendido/apagado

NOTA: seleccione el modo recto al usar esta aspiradora. No presione el botón de encendido/apagado del cepillo de rodillo al limpiar pisos lisos ya que, de lo contrario, podría dañar el piso.

MODOS DE FUNCIONAMIENTO

3. Para limpiar alfombras, presione el botón de encendido/apagado del cepillo de rodillo.

4. Cuando la aspiradora esté encendida, úsela inclinando la vara hacia usted y dejando la boquilla pareja a la superficie del piso.



Botón de encendido/apagado del cepillo de rodillo

NOTA: el cepillo de rodillo gira cuando la aspiradora está en esta posición.

NOTA: el cepillo de rodillo no gira en ningún modo si la empuñadura está en posición completamente recta.



PRECAUCIÓN

No deje la aspiradora en un solo lugar por ninguna cantidad de tiempo mientras el cepillo de rodillo esté encendido. Podría dañar la alfombra.

5. Tras haber terminado de aspirar, vuelva a presionar el botón de encendido/apagado y desconecte el cable de alimentación de la toma de corriente.

NOTA: si el cepillo de rodillo está encendido, primero presione el botón de encendido/apagado del cepillo de rodillo para detenerlo y luego presione el botón de encendido/apagado para apagar la aspiradora.

INDICADOR DEL NIVEL DE LLENADO DE LA BOLSA

A medida que la bolsa de polvo se llene con suciedad y sedimentos, se puede utilizar el indicador cerca de la vara sirve para estimar el nivel de llenado de la bolsa. La bolsa se debe cambiar cuando todos los LED estén encendidos de color rojo. Consulte la página 18-19 para ver las instrucciones de cambio de la bolsa de polvo.

Indicador del llenado de la bolsa	Nivel de llenado de la bolsa
Una luz LED (la que está más a la izquierda), verde continuo	Las luces se iluminan progresivamente para mostrar que la bolsa se está llenando. La bolsa se debe cambiar cuando todos los LED estén encendidos de color rojo.
Dos luces LED, naranja continuo	
Tres luces LED, naranja continuo	
Cuatro luces LED, rojo continuo	



PRECAUCIÓN

La bolsa se debe cambiar cuando todos los LED estén encendidos de color rojo continuo. Si no, todos los LED estén encendidos de color rojo, si la luz sigue parpadeando de color rojo después de reemplazar la bolsa de polvo, revise y limpie la vía aérea ya que está bloqueada.



INDICADOR DE ESTADO DEL CEPILLO DE RODILLO

Indicador de estado del cepillo de rodillo	Estado
Luces LED verdes	El cepillo de rodillo está girando y funcionando como debería.
Luces LED rojas	Hay un atascamiento en el área del cepillo de rodillo. Apague y desconecte la aspiradora; luego, quite cualquier bloqueo de la boquilla.
Sin luces LED	El cepillo de rodillo está apagado.

Indicador de estado del cepillo de rodillo



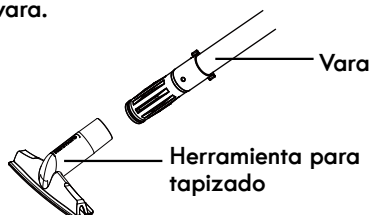
MODOS DE FUNCIONAMIENTO

MODO SOBRE EL SUELO

1. Coloque la aspiradora en posición de bloqueo recta.
2. Presione el botón de liberación de la vara y levántela para limpiar sobre el nivel del suelo.

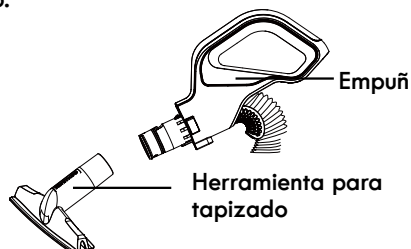


3. Elija el accesorio deseado e insértelo en la vara.



4. Encienda la aspiradora presionando el botón de encendido/apagado.
5. Tras haber terminado de aspirar, vuelva a presionar el botón de encendido/apagado y desconecte el cable de alimentación de la toma de corriente.

NOTA: los accesorios también se pueden insertar directamente en la empuñadura para limpiar sobre el nivel del piso.



⚠ PRECAUCIÓN

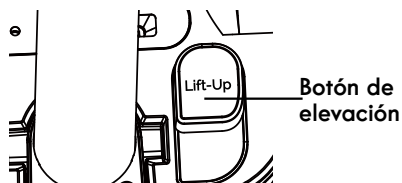
Al usar accesorios, tenga cuidado de no estirar la manga flexible más de la cuenta. Estirar la manguera más allá de su capacidad podría provocar que la aspiradora se vuelque.

⚠ PRECAUCIÓN

NO tire de la manguera para mover la aspiradora dentro de la habitación. Podrían producirse daños a la propiedad o lesiones personales.

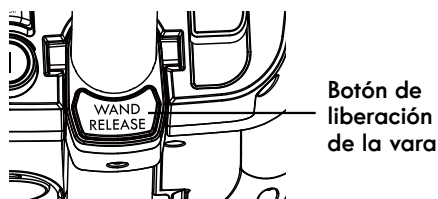
MODO ELEVACIÓN

1. Coloque la aspiradora en posición de bloqueo recta.
2. Presione el botón de elevación para elevar la unidad y poder transportarla.



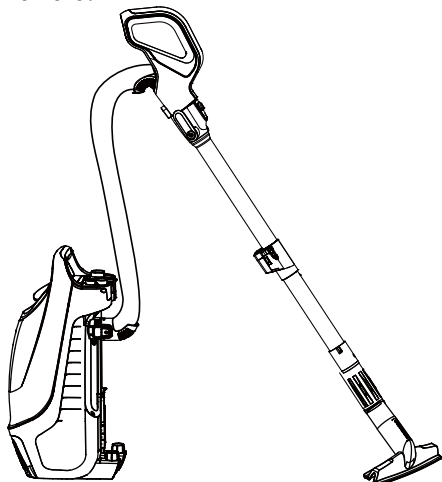
3. Presione el botón de liberación de la vara y levántela para limpiar escaleras u otros lugares difíciles de alcanzar.

NOTA: asegúrese de que el cable de alimentación no esté enganchado en los ganchos del cable antes de elevar la vara.



MODO LEVANTAR

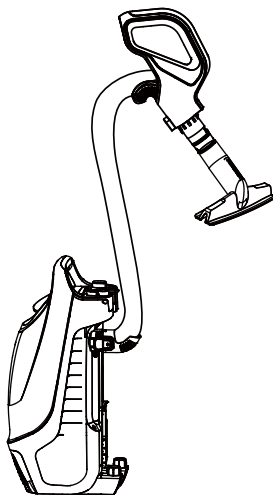
4. Elija el accesorio deseado e insértelo en la vara.



5. Encienda la aspiradora presionando el botón de encendido/apagado.

6. Tras haber terminado de aspirar, vuelva a presionar el botón de encendido/apagado y desconecte el cable de alimentación de la toma de corriente.

NOTA: los accesorios también se pueden insertar directamente en la empuñadura.



PRECAUCIÓN

Al usar accesorios, tenga cuidado de no estirar la manga flexible más de la cuenta. Estirar la manguera más allá de su capacidad podría provocar que la aspiradora se vuelque.

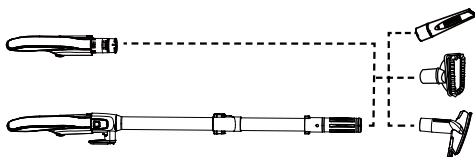


PRECAUCIÓN

NO tire de la manguera para mover la aspiradora dentro de la habitación. Podrían producirse daños a la propiedad o lesiones personales.

ACCESORIOS

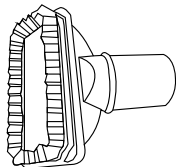
Todos las herramientas o accesorios incluidos se pueden insertar en el mango o la varita.



PLUMERO REDONDO PARA POLVO FINO CON PELO DE CABALLO

Deslice el collar del cepillo sobre el extremo abierto de la manguera o varita.

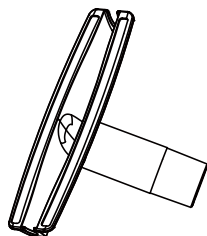
Usa el cepillo para limpiar superficies sueltas como cortinas, Muebles o paredes. Ver TABLA DE USO DE ACCESORIOS (página 14).



HERRAMIENTA PARA TAPIZADO

La herramienta de tapicería se puede conectar al extremo del mango y la varita. Deslice el collar de la herramienta sobre el extremo abierto de la manguera o vara.

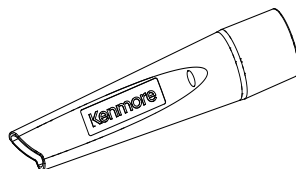
Use la herramienta para tapizado para limpiar superficies de tela tales como sofás y tentures. Consulte la TABLA DE USO DE ACCESORIOS (página 14).



HERRAMIENTA PARA GRIETAS

Deslice el collar de la herramienta para grietas en el extremo abierto de la manguera o varita.




Use la herramienta para grietas para limpiar espacios como muebles, entre cojines, y escaleras. Consulte la TABLA DE USO DE ACCESORIOS (página 14).



PRECAUCIÓN

use los accesorios cuando la aspiradora esté derecha.

TABLA DE USO DE ACCESORIOS

ÁREA DE LIMPIEZA ✓ = Aplicable						
ACCESORIO	Mueble*	Entre cojines*	Cortinas*	Escaleras		Rodapiés
				Alfombra	Liso	
CEPILLO PARA POLVO DE LUJO 	✓		✓			
HERRAMIENTA PARA TAPIZADO 	✓		✓			
HERRAMIENTA PARA HENDIDURAS 	✓	✓		✓	✓	✓

*Limpie siempre los accesorios antes de usarlos en telas.

DESEMPEÑO/CARACTERÍSTICAS DE SEGURIDAD

PROTECTOR TÉRMICO

Esta aspiradora tiene un protector térmico que se activa automáticamente para proteger al motor de succión de la aspiradora. Si un tapón evita el flujo normal de aire hacia el motor, el protector térmico apaga el motor automáticamente. Esto deja enfriar el motor a fin de evitar posibles daños a la aspiradora.

Para restablecer el protector térmico: Apague la aspiradora y desconecte el cable de alimentación desde la toma de corriente para dejar enfriar la aspiradora y que el protector térmico se restablezca.



PRECAUCIÓN

Vuelva a colocar siempre la aspiradora en posición recta antes de usar la manguera y los accesorios. No hacerlo puede provocar sobrecalentamiento del motor del cepillo de rodillo y la activación del protector térmico.

Revise y saque los taponos; vacíe la bolsa de polvo si fuese necesario. Además, compruebe y limpie los filtros tapados. Espere aproximadamente 50 minutos antes de reencender la aspiradora.

VÁLVULA DE PASO

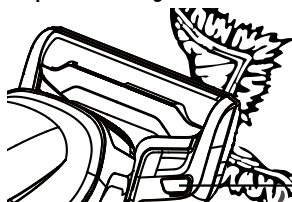
Esta aspiradora tiene una válvula de paso que evita que el motor se sobrecaliente y se dañe. La válvula se abre para proporcionar refrigeración por aire cuando un tapón evita el paso normal del aire hacia el motor de succión de la aspiradora. Observará un cambio en el sonido cuando el aire entre por la válvula.

Para corregir el problema, saque cualquier obstrucción, revise y cambie los filtros según sea necesario, revise e instale una nueva bolsa de polvo si es necesario.

NOTA: la válvula de paso podría abrirse al usar accesorios o al limpiar una alfombra nueva debido a un menor flujo de aire o a una vía aérea tapada, provocado por los accesorios mismos o por un exceso de pelusas de la alfombra nueva en la bolsa de polvo, lo que la llenaría rápidamente.

RESTABLECIMIENTO DEL CEPILLO DE RODILLO

El cepillo de rodillo tiene una protección integrada contra daños al motor en caso de un atascamiento del cepillo. Si el cepillo de rodillo se hace lento o se detiene, el protector de sobrecarga del cepillo apaga el motor y la luz de estado del cepillo se vuelve roja. El motor de succión de la aspiradora sigue funcionando.



Indicador de estado del cepillo de rodillo

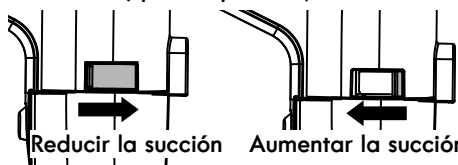
Para resolver el problema: apague y desconecte la aspiradora, quite la obstrucción y encienda la aspiradora.

NOTA: Cuando el motor del cepillo de rodillo se apague, quite el atascamiento del cepillo y vuelva a encender la aspiradora. Si el problema continúa, contacte a la línea de ayuda para obtener asistencia.

CONTROL DE SUCCIÓN

Puede abrir la válvula de control de succión para ayudar con la fuerza de succión/empuje de la aspiradora en superficies tales como alfombras densas, a fin de reducir la succión. Tenga en cuenta que para lograr los mejores resultados posibles, la válvula de control de succión debe estar totalmente cerrada.

- Deslice hacia la derecha para abrir el control de succión y reducir la succión. Abrir el control reduce la succión sobre cortinas y alfombras ligeras.
- Deslice hacia la izquierda para cerrar el control de succión y aumentar la succión. Al cerrar el control se aumenta la succión, para tapizado y alfombras.



MANTENIMIENTO Y CUIDADO DE LA ASPIRADORA

Siga siempre todas las precauciones de seguridad al realizar mantenimiento a la aspiradora.



ADVERTENCIA

Hay riesgo de descarga eléctrica y lesiones personales.

Desconecte la aspiradora de la toma de corriente antes de repararla o limpiarla. No hacer esto podría provocar descargas eléctricas o lesiones personales provocadas por un encendido súbito de la aspiradora.

LIMPIEZA DEL EXTERIOR Y DE LOS ACCESORIOS

1. Apague y desconecte la aspiradora. NO deje caer agua sobre la aspiradora.
2. Para limpiar el exterior o para reducir la electricidad estática y la obstrucción de polvo, limpie la superficie exterior con un paño limpio y suave que se haya empapado con una solución de detergente líquido suave y agua para luego haberse estrujado. Seque después de limpiar.

NOTA: lave los accesorios en agua tibia jabonosa, enjuague y seque al aire. No limpie estas piezas usando un lavavajillas.



PRECAUCIÓN

No use accesorios si están mojados. Los accesorios usados en zonas sucias, tales como bajo un refrigerador, no deben usarse en otras superficies sino hasta haberlas lavado. Podrían dejar marcas.

ALMACENAMIENTO DE LA ASPIRADORA



ADVERTENCIA

Hay riesgo de descarga eléctrica y lesiones personales.

Enrollar el cable demasiado firme aplica tensión sobre el mismo y puede provocar daños. Un cable dañado representa un peligro de descarga eléctrica y podría causar lesiones a las personas o daños.

1. Coloque los accesorios y mangueras flexibles en posición de almacenamiento si es necesario (consulte la página 6 & 7).
2. Reúna el cable y enrolle libremente alrededor de los ganchos superior e inferior. Retenedor de pasador de bloqueo en el cable de alimentación. Consulte la página 7.
3. Almacene la aspiradora en un área seca, en su interior, en el piso con la empunadura en posición vertical.

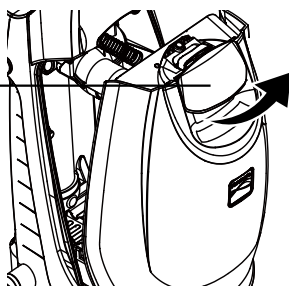
CAMBIO DE LA BOLSA DE POLVO

WARNING

Desconecte siempre el cable de alimentación de la toma de corriente antes de realizar cualquier reparación o limpieza en la aspiradora.

1. Empuje la manija de liberación para la bolsa hacia afuera y hacia arriba, sosteniendo la puerta usando la manija.

Liberador para cubierta del contenedor de la bolsa



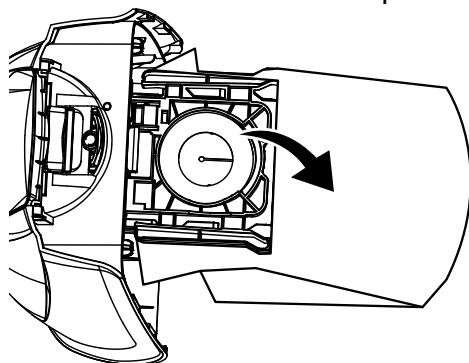
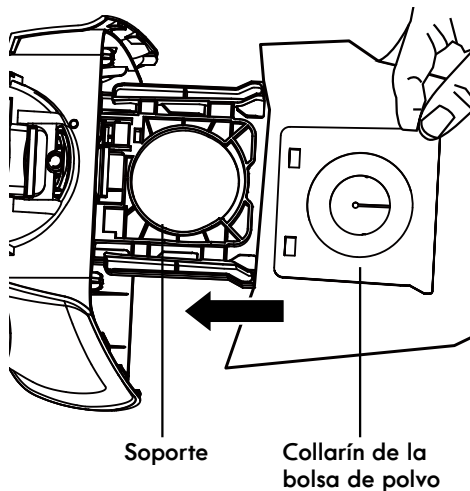
NOTA: No presiones el botón de liberación de la bolsa de polvo al soltar la cubierta de la cámara, o la bolsa de polvo caerá automáticamente.

2. Incline la cámara de polvo como esta indicado. Presione el botón y la bolsa caerá automáticamente.



Liberación de la bolsa de polvo
Botón

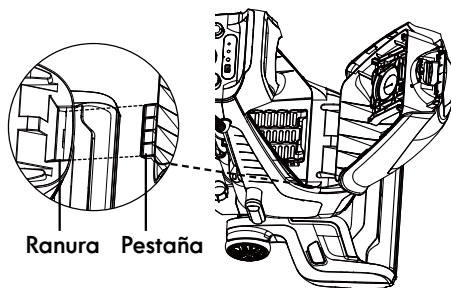
3. Para instalar una nueva bolsa de polvo, inserte el collarín de la bolsa de polvo en el soporte hasta escuchar un “clic” y luego gire el soporte hacia abajo hasta escuchar otro “clic”. Insertar la bolsa en la cámara de la bolsa de polvo. Asegúrese de que todos los lados del bolsa de polvo encajen bien dentro de la cámara de polvo.



CAMBIO DE LA BOLSA DE POLVO

4. Coloque la pestaña de la cámara de la bolsa de polvo en la ranura de la aspiradora. Presione la cubierta de la cámara de la bolsa de polvo hacia su posición hasta escuchar un "clíc".

NOTA: Asegúrese de que la bolsa de polvo quede fija antes de presionar la cubierta de la cámara de la bolsa de polvo. La cubierta de la cámara del bolsa de polvo no se podrá cerrar con éxito si la bolsa no está instalada no en posición.



LIMPIEZA DEL FILTRO DE ESPUMA



ADVERTENCIA

Riesgo de descarga eléctrica

Desconecte el cable de alimentación de la toma de corriente. No use la aspiradora sin el filtro de espuma. Asegúrese de que el filtro esté seco y adecuadamente instalado para así evitar que el motor falle o sucedan descargas eléctricas.

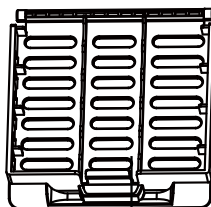
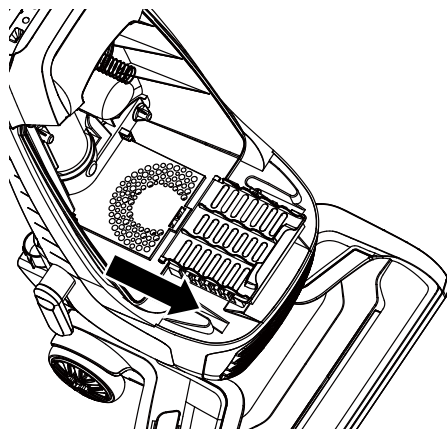
Limpie el filtro de espuma con agua fría si es necesario.

NOTA: cuando al limpiar los filtros estos ya no restablezca la potencia de succión de la aspiradora, o cuando los filtros tienen desgastados o dañados, reemplácelos por otros nuevos. Para comprar filtros, llame al 1-844-608-3080 (US) / 1-844-608-3081 (CA).

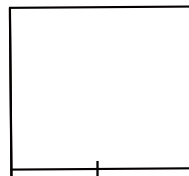
Limpie y reemplace regularmente los filtros para mantener la potencia de succión de las aspiradora a un nivel óptimo.

1. Saque la bolsa de polvo como se indica en la sección CAMBIO DE LA BOLSA DE POLVO (página 17-18).

2. Saque la cubierta del filtro de espuma y el filtro de espuma.



Cubierta del filtro de espuma



Filtro de espuma

LIMPIEZA DEL FILTRO DE ESPUMA

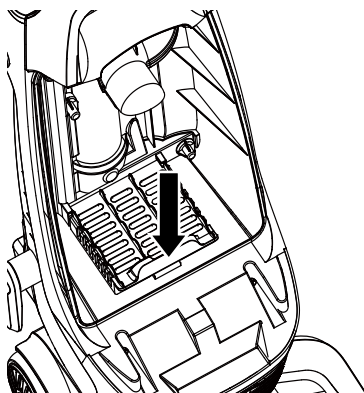
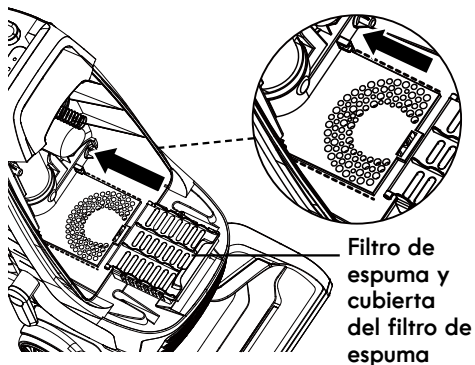
3. Lave el filtro con agua jabonosa tibia, enjuague y seque exhaustivamente estrujando el exceso de agua del filtro y dejándolo secar durante 24 horas.

NOTA: NO usar sin el filtro de espuma instalado.

NO lavar en lavavajillas.

NO instale el filtro si está mojado.

4. Reinstale el filtro de espuma en la cubierta del filtro y deslícelo hacia las ranuras hasta que quede en posición. Presione la cubierta para bloquearla en posición hasta escuchar un "clic".



NOTA: cambie el filtro de espuma si está roto o gastado.

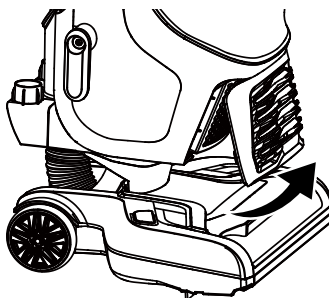
5. Reinstale la bolsa de polvo como se indica en CAMBIO DE LA BOLSA DE POLVO (página 17-18).

LIMPIEZA DEL FILTRO DE ESCAPE DE AIRE HEPA

Se recomienda limpiar el filtro de escape de aire HEPA con agua fría cada año.

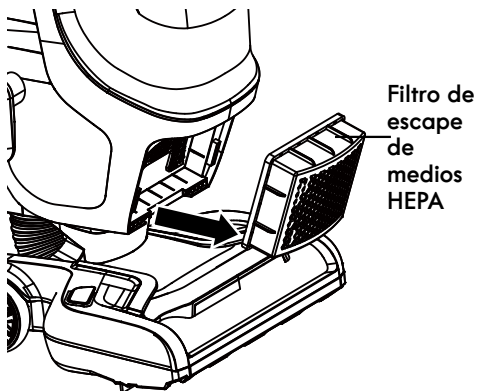
NOTA: cuando al limpiar los filtros estos ya no restablezca la potencia de succión de la aspiradora, o cuando los filtros tienen desgastados o dañados, reemplácelos por otros nuevos. Para comprar filtros, llame al 1-844-608-3080 (US) / 1-844-608-3081 (CA).

1. Saque la cubierta del filtro de escape tirando la pestaña de la parte inferior de la cubierta hacia afuera.



LIMPIEZA DEL FILTRO DE ESCAPE DE MEDIOS HEPA

2. Saque el filtro de escape de aire HEPA de la aspiradora.



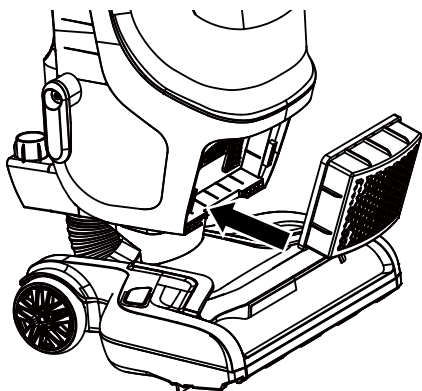
3. Lave usando solo agua fría, NO use detergentes o jabón. Deje secar al aire. Deje secar las piezas durante 24 horas antes de volver a colocarlas en la aspiradora.

NOTA: NO usar sin el filtro post-motor instalado.

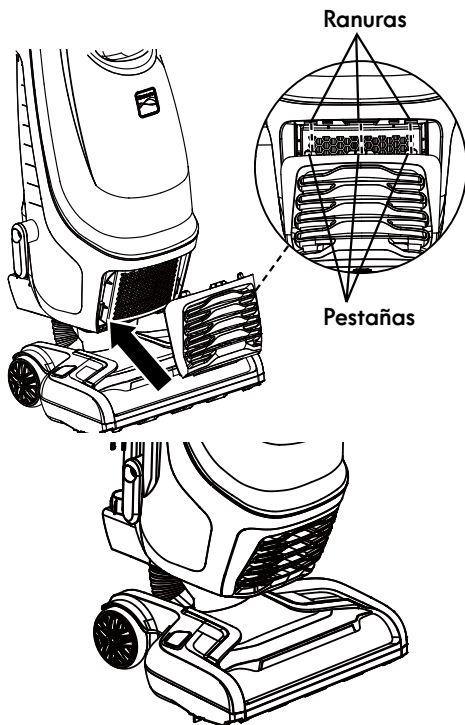
NO lavar en lavavajillas.

NO instale el filtro si está mojado.

4. Reinstale el filtro de escape de aire HEPA en la aspiradora.



5. Inserte las pestañas de la cubierta del filtro de escape en las ranuras superiores y fije la cubierta del filtro de escape en posición presionando la pestaña de liberación bajo la cubierta hasta escuchar un clic.



NOTA: asegúrese de que la cubierta del filtro de escape esté instalada correctamente.

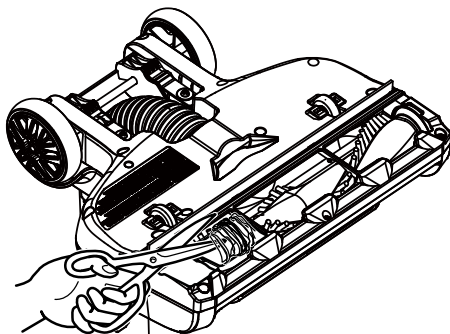
LIMPIEZA DEL CEPILLO DE RODILLO



ADVERTENCIA

Desenchufe siempre el cable de alimentación de la toma de corriente antes de realizar tareas de mantenimiento en la aspiradora.

Para mantener una limpieza eficiente, el cepillo de rodillo debe estar libre de fibra de alfombras, hebras u obstrucciones de cabello. Si el cepillo de rodillo está atorado, desconecte y voltee la aspiradora para revisar que el cepillo no tenga obstrucciones de fibra ni cabellos. Use unas tijeras para sacar cualquier objeto enredado en el cepillo de rodillo. También se recomienda limpiar el cepillo de rodillo cada 7 a 10 usos para alcanzar un mejor rendimiento.



CÓMO QUITAR OBSTRUCCIONES



ADVERTENCIA

Desconecte la fuente de alimentación antes de quitar obstrucciones. El no seguir estas indicaciones puede provocar lesiones personales o descargas eléctricas.

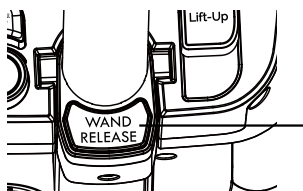
COMPROBACIÓN DE OBSTRUCCIONES EN LA MANGUERA FLEXIBLE

En caso de ruido anormal al usar la aspiradora, o si la potencia de succión cae repentinamente, es necesario verificar que no hay obstrucciones en las vías de aire dentro de la manguera.

Revise frecuentemente la vía de aire para asegurarse de que no tenga obstrucciones.

NOTA: cuando la vía de aire esté bloqueada, los cuatro LED del indicador del nivel de llenado de la bolsa parpadean de color rojo.

1. Suelte la vara de la unidad y asegúrese de sacar los accesorios de la vara.

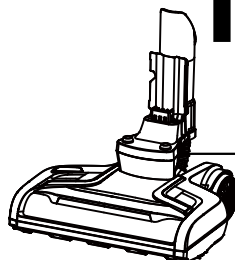
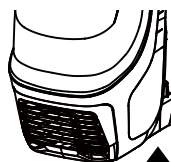
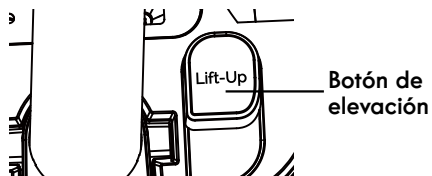


Botón de liberación de la vara

2. Revise y saque cualquier obstrucción de la manguera flexible y vara.
3. Reinstale la vara flexible en la aspiradora. Consulte ENSAMBLAJE (página 6).

COMPROBACIÓN DE OBSTRUCCIONES EN LA MANGUERA DE CONEXIÓN

Para separar la unidad de la boquilla, presione el botón de elevación y levante la unidad.



Manguera de conexión

1. Revise y quite cualquier obstrucción de la manguera de conexión.
2. Reinstale la boquilla en el cuerpo de la aspiradora.

RESOLUCIÓN DE PROBLEMAS

Revise esta tabla para encontrar soluciones que pueda aplicar usted mismo a problemas de rendimiento menores. Cualquier reparación necesaria que no sean los procedimientos de mantenimiento indicados en esta guía de uso y cuidado se deben realizar mediante un agente de servicio calificado.



ADVERTENCIA

Desconecte el suministro eléctrico antes de realizar cualquier trabajo de mantenimiento en la aspiradora. El no seguir estas indicaciones puede provocar lesiones personales o descargas eléctricas.

PROBLEMA	CAUSA PROBABLE	SOLUCIÓN
La aspiradora no funciona.	Está desenchufada del tomacorriente.	Conecte con firmeza, presione el interruptor de encendido/apagado.
	No está presionado el interruptor de encendido/apagado para encender en la aspiradora.	Presione el interruptor de encendido/apagado para encender la aspiradora.
	Toma de corriente defectuosa.	Pruebe usando una lámpara o electrodoméstico que funcionen correctamente. Si no funcionan hagan que reparen correctamente la toma de corriente.
	El cuerpo de la aspiradora está sobrecalentado.	Desconecte el cable de alimentación y deje enfriar la aspiradora durante 50 minutos.
	El motor está dañado.	Para obtener ayuda, llame al 1-844-608-3080 (US) / 1-844-608-3081 (CA).
Recolección de suciedad ineficiente.	La manguera y accesorios no están instalados correctamente.	Revise que la manguera y accesorios estén bien instalados y asegúrese de que se conecten firmemente.
	La bolsa de polvo no está instalada correctamente.	Revise que la bolsa de polvo esté bien instalada y asegúrese de que se conecte firmemente.
	Bolsa para polvo llena o tapada.	Cambie la bolsa de polvo (página 17-18).
	Hay una obstrucción en las vías de aire.	Revise y saque cualquier tapón. Siga las instrucciones de la página 22.
	El control de succión está en posición abierta.	Ajuste el control de succión para aumentar la potencia. Siga las instrucciones de la página 15.
	Debe limpiar o reemplazar el filtro de espuma o filtro de escape de medios HEPA.	Limpie o reemplace el filtro de espuma o filtro de escape de medios HEPA. Siga las instrucciones de limpieza o cambio del filtro de escape de medios HEPA que se indican en la página 18-19 o 19-20.

RESOLUCIÓN DE PROBLEMAS

	La manguera está gastada.	Cambie la manguera. Para comprar piezas, llame al 1-844-608-3080 (US) / 1-844-608-3081 (CA).
	El cepillo de rodillo está gastado.	Para obtener ayuda, llame al 1-844-608-3080 (US) / 1-844-608-3081 (CA).
	La correa está gastada o rota.	Para obtener ayuda, llame al 1-844-608-3080 (US) / 1-844-608-3081 (CA).
Hay un escape de polvo en la aspiradora.	La bolsa de polvo o cámara de la bolsa de polvo no están instaladas correctamente.	Revise que la bolsa de polvo o cubierta de la cámara de la bolsa de polvo estén bien instaladas y asegúrese de que se conecten firmemente. Siga las instrucciones de la página 17-18.
	El filtro de escape de aire HEPA está mal instalado.	Revise que el filtro de escape esté bien instalado. Siga las instrucciones de la página 19-20.
	La bolsa de polvo está gastada o rota.	Revise y cambie la bolsa de polvo.
	El filtro de espuma o filtro de escape de aire HEPA está gastado o rota.	Revise y reemplace el filtro de espuma o filtro de escape de de aire HEPA.
El cepillo de rodillo no gira.	La empuñadura está en posición totalmente recta.	Mueva la empuñadura desde su posición totalmente recta.
	No está presionado el botón de encendido/apagado del cepillo de rodillo.	Para encender el cepillo de rodillo, presione el botón de encendido/apagado.
	El cepillo de rodillo está atascado.	Quite la obstrucción. Siga las instrucciones de la página 21.
	El cepillo de rodillo no está instalado correctamente.	Para obtener ayuda, llame al 1-844-608-3080 (US) / 1-844-608-3081 (CA).
	La correa no está bien colocada.	Para obtener ayuda, llame al 1-844-608-3080 (US) / 1-844-608-3081 (CA).
	Falla en la sección PCB de la boquilla motorizada.	Para obtener ayuda, llame al 1-844-608-3080 (US) / 1-844-608-3081 (CA).
El sonido cambia.	La cubierta del filtro de escape no está instalada correctamente.	Coloque correctamente la cubierta del filtro de escape y hágala calzar con firmeza en posición. Siga las instrucciones de la página 20.
	La vía de aire está bloqueada.	Revise y quite cualquier obstrucción y despeje la vía de aire. Siga las instrucciones de la página 22.
	Usar accesorios restringe el flujo de aire.	Revise que los accesorios no tengan pelusas, pelo de mascotas u otros sedimentos.

RESOLUCIÓN DE PROBLEMAS

La aspiradora se apaga sola.	La enchufe del cable de alimentación se suelta de la toma de corriente al usar la aspiradora.	Reinserte la enchufe del cable de alimentación en la toma de corriente. Evite tirar del cable de alimentación o arrastrarlo al usar la aspiradora.
	Protector térmico activado.	Apague la aspiradora y desconéctela. Revise la vía de aire y bolsa de polvo. Deje enfriar la aspiradora durante un mínimo de 50 minutos. Conecte la aspiradora y enciéndala.
	El motor está dañado.	Para obtener ayuda, llame al 1-844-608-3080 (US) / 1-844-608-3081 (CA).
La luz indicadora de estado del cepillo de rodillo está de color rojo.	Hay un atascamiento en el área del cepillo de rodillo.	Apague y desconecte la aspiradora. Saque cualquier bloqueo del cepillo de rodillo. Consulte la página 21.
	El cepillo de rodillo está gastado o roto.	Para obtener ayuda, llame al 1-844-608-3080 (US) / 1-844-608-3081 (CA).
La cubierta de la cámara de la bolsa de polvo no se puede instalar.	La bolsa de polvo no está colocada o no está instalada en su lugar.	Coloque correctamente la bolsa de polvo y hágala calzar con firmeza en posición. Siga las instrucciones de la página 17-18.

TABLE DES MATIÈRES

Avant Utilisation De Votre Nouvel Aspirateur	1
Liste Du Contenu.....	1
Consignes Importantes De Sécurité.....	2-3
Garantie De L'aspirateur.....	4
Pièces Et Fonctionnalités	5-6
Instructions De Montage	7-8
Instructions D'utilisation	9-16
CARACTÉRISTIQUES DE PERFORMANCE/SÉCURITÉ	17-18
Entretien Et Soins De L'aspirateur	19-26
Dépannage.....	27-29
Demande D'assistance Ou De Service.....	Back Cover

AVANT UTILISATION DE VOTRE NOUVEL ASPIRATEUR

Nous vous prions de lire ce guide. Il vous aidera à assembler et à vous servir de votre nouvel aspirateur Kenmore de la manière la plus sûre et efficace.

Pour plus d'informations sur l'entretien et le fonctionnement de l'aspirateur, appelez l'aspirateur Ligne d'aide au 1-844-608-3080 (US) / 1-844-608-3081 (CA). Vous aurez besoin de vos numéros complets de modèle et de série pour demander des renseignements. Le modèle et les numéros de série de votre aspirateur sont indiqués sur l'étiquette signalétique située sur le boîtier.

Servez-vous de l'espace ci-dessous pour inscrire les numéros de modèle et de série de votre nouvel aspirateur Kenmore.

Modèle N° _____

N° de série _____

Date d'achat _____

Gardez ce livre et votre reçu dans un lieu sûr en cas de nécessité future.

LISTE DU CONTENU

Votre ASPIRATEUR BALAI AVEC SAC KENMORE INTUITION[®] est livré avec les pièces et composants suivants montés séparément dans le carton :

- | | |
|--------------------|--------------------------------------|
| 1 Aspirateur Balai | 1 Manche |
| 1 Embout plat | 1 Tube |
| 1 Tuyau Flexible | 1 Brosse à é pousser |
| 1 Brosse À Meubles | 1 Guide D'Utilisation Et D'Entretien |

CONSIGNES DE SÉCURITÉ IMPORTANTES

Lisez l'intégralité des consignes du présent manuel avant de monter ou d'utiliser votre aspirateur.



AVERTISSEMENT:

Votre sécurité est importante pour nous. Pour réduire tous risques d'incendie, d'électrocution, de blessures corporelles ou de dommages matériels lors de l'utilisation de votre aspirateur, suivez les précautions de sécurité de base suivantes:

Utilisez votre aspirateur uniquement comme décrit dans le présent manuel. Utilisez votre aspirateur uniquement avec les accessoires recommandés par Kenmore.

Coupez l'alimentation électrique avant de réparer

ou de nettoyer la zone de la brosse.

Le non-respect de cette consigne peut déclencher

un démarrage inattendu de la brosse qui peut entraîner des blessures corporelles causées par des pièces mobiles.

Ne pas laisser l'aspirateur lorsqu'il est branché. Débranchez celui-ci de la prise de courant lorsque vous ne l'utilisez et avant de procéder à son entretien.

Pour réduire tous risques d'électrocution: ne pas utiliser le produit à l'extérieur ou sur des surfaces mouillées.

Ne pas permettre que l'appareil soit utilisé comme un jouet. Soyez très attentif s'il est utilisé par des enfants ou si des enfants se trouvent à proximité.

Ne pas utiliser avec un cordon ou une fiche endommagé(e). Si l'aspirateur ne fonctionne pas comme il se doit, s'il est tombé, endommagé, laissé à l'extérieur ou jeté dans de l'eau, cessez immédiatement l'utilisation et appelez le 1-844-608-3080 (US) / 1-844-608-3081 (CA) pour organiser le service de réparation.

Ne tirez ou ne portez pas l'appareil en utilisant le cordon. N'utilisez pas celui-ci comme poignée ou pour fermer une porte et ne l'enroulez pas autour de bords coupants ou d'arêtes vives. Ne pas faire fonctionner l'aspirateur par dessus le cordon. Maintenez le cordon à l'écart de toutes surfaces chaudes.

Ne débranchez pas l'appareil en tirant sur le cordon. Pour débrancher, saisissez la fiche, pas le cordon.

Ne pas manipuler la fiche ou l'aspirateur avec les mains mouillées.

N'introduire aucun objet dans les orifices de l'appareil.

Ne pas utiliser l'appareil si un orifice est bouché. Faites en sorte que les orifices ne soient pas encombrés de poussières, peluches, cheveux ou de toute autre objet qui pourrait réduire le flux d'air.

Maintenez vos cheveux, vêtements amples, doigts et toutes parties du corps à l'écart des orifices et des pièces mobiles.

Coupez toutes les commandes de l'appareil avant de le débrancher.

Redoublez de précautions lorsque vous nettoyez des escaliers.

Ne pas poser le produit sur des chaises, des tables, etc. Maintenez-le sur le plancher.

Ne pas utiliser l'aspirateur pour aspirer des liquides inflammables ou combustibles (essence, liquide de nettoyage, parfums, etc.) ou l'utiliser dans des endroits où ces substances peuvent être présentes. Les vapeurs de ces substances peuvent créer un risque d'incendie ou d'explosion.

Ne pas aspirer de matières en combustion ou qui dégagent de la fumée, telles que des cigarettes, des allumettes ou des cendres chaudes.

Do not Ne pas utiliser d'aspirateur sans le sac à poussière et/ou des filtres en place.

Toujours remplacer le sac à poussière après avoir aspiré les nettoyeurs ou désodorisants pour tapis, des poudres et de la poussière fine. Ces produits obstruent le sac, réduisent le flux d'air et peuvent causer l'éclatement du sac. Le non-remplacement du sac risque d'endommager définitivement l'aspirateur.

Ne pas utiliser l'aspirateur pour récupérer des objets durs, de petits jouets, des épingles, des trombones, etc. Ceux-ci peuvent endommager l'aspirateur.

Ne pas utiliser l'aspirateur sans le filtre d'échappement ou la trappe du filtre en place. Le flexible renferme des fils électriques.

Ne pas l'utiliser lorsqu'il est endommagé, coupé ou percé. Remplacez-le s'il est coupé ou usé.

Ne pas récupérer des objets tranchants.

Toujours mettre hors tension et débrancher l'aspirateur avant de raccorder ou d'enlever le flexible, la tige, le PowerMate™ pour animaux de compagnie ou le PowerMate®.

Tenez la fiche lors du rembobinage sur la bobine de cordon.

Ne pas laisser la fiche s'agiter comme un fouet lors du rembobinage.

Il vous incombe de vous assurer que votre aspirateur n'est utilisé par aucune personne incapable de le faire fonctionner correctement.

CONSERVEZ CES CONSIGNES

Un bon montage et une utilisation en toute sécurité de votre aspirateur relèvent de votre responsabilité. Votre aspirateur est destiné à un usage domestique. Lisez attentivement le présent manuel d'utilisation et d'entretien pour connaître les consignes de sécurité et d'utilisation importantes qu'il contient. Le présent manuel contient des consignes de sécurité sous des symboles d'avertissement et de mise en garde.

GARANTIE DE L'ASPIRATEUR

GARANTIE LIMITÉE

À compter de la date de vente, ce produit est garanti contre tout défaut de fabrication et de matériaux PENDANT UN AN.

MUNI D'UNE PREUVE DE VENTE, tout produit défectueux peut être retourné au revendeur aux fins de remplacement gratuit.

La marque Kenmore est utilisée sous licence. Adressez toutes les demandes de service sous garantie à: 1-844-608-3080 (US) / 1-844-608-3081 (CA).

Sont exclus de la garantie les filtres ou les courroies, qui sont des pièces à usage unique susceptibles de s'user durant la période de garantie des suites d'un usage normal.

La présente garantie sera nulle et non avenue en cas d'utilisation éventuelle de ce produit à toutes autres fins que personnelles et privées. La présente garantie vous accorde des droits spécifiques légaux, mais vous pouvez également avoir d'autres droits qui varient selon les États.

Cleva North America, Inc., Greenville SC 29607

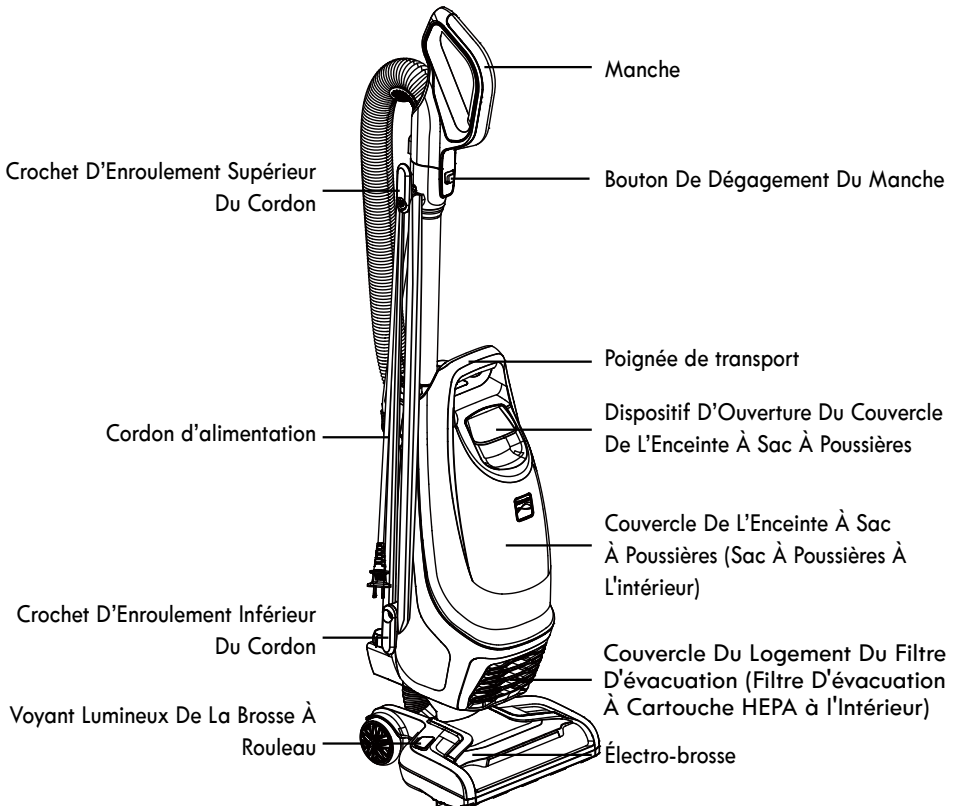
PIÈCES ET FONCTIONNALITÉS

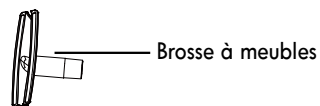
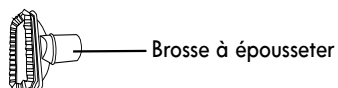
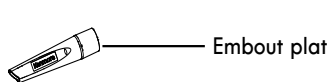
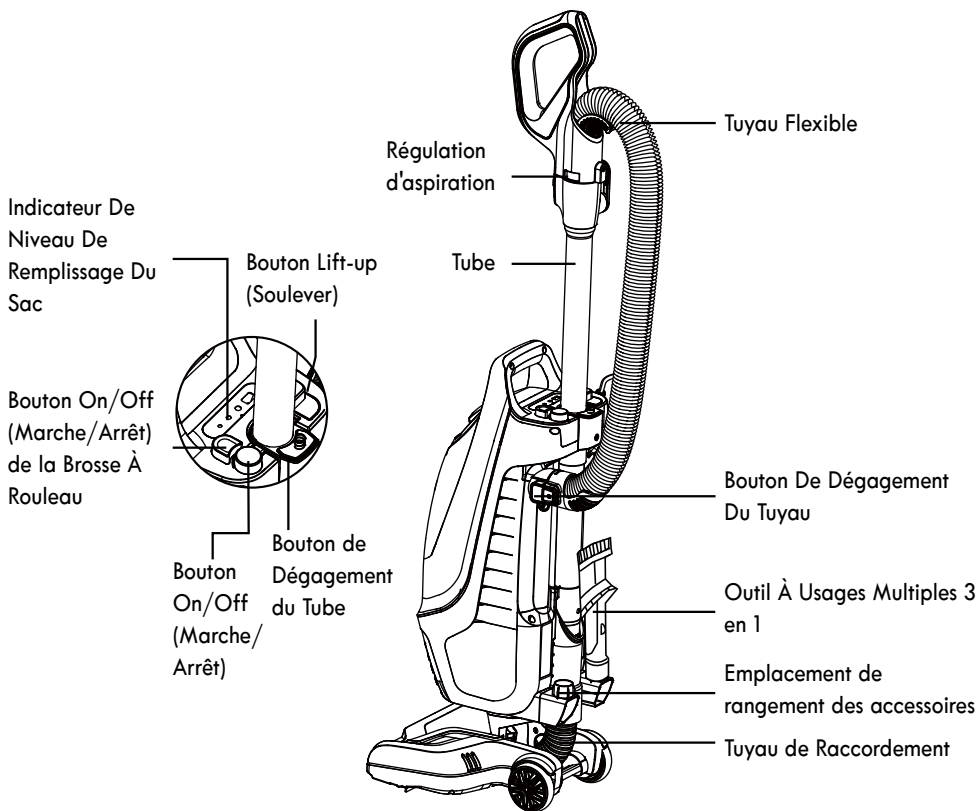
Il est important de connaître les pièces ainsi que les fonctionnalités de votre aspirateur afin d'en assurer une utilisation correcte et en toute sécurité. Examinez-les avant d'utiliser votre aspirateur.

PIÈCES DE RECHANGE

Élément	N° au (US)	N° au (CA)
Filtre en mousse	561060125	561060125
Filtre d'Évacuation À Cartouche HEPA	561055118	561055118
Brosse À Meubles	561055176	561055176
Embout plat	561065101	561065101
Sac À Poussières (Lot de 6)	1B600	63296
Tube	561070102	561070102
Tuyau flexible (avec poignée)	561070101	561070101
Brosse à épousseter	561060177	561060177
Filtre d'Évacuation HEPA + Filtre En Mousse	561060184	561060184

Pour passer commande d'une pièce de rechange, veuillez composer le numéro : 1-844-608-3080 (US) / 1-844-608-3081 (CA).





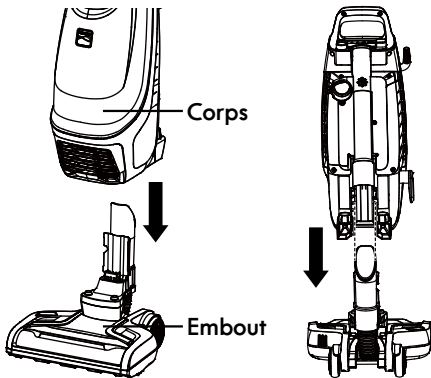


Veillez porter une attention particulière à ces boîtes d'alerte et suivre les instructions données. Les AVERTISSEMENTS vous alertent sur les dangers tels que les risques d'incendie, d'électrocution, de brûlures et de blessures corporelles. Les MISES EN GARDE vous alertent sur des risques tels que blessures corporelles et/ou dommages matériels.

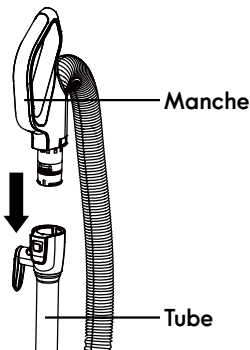
INSTRUCTIONS DE MONTAGE

Avant de monter l'aspirateur, consultez la LISTE DU CONTENU (page 1). Utilisez ladite liste afin de vous assurer de la réception de tous les composants de votre nouvel Aspirateur Balai Avec Sac Kenmore Intuition®.

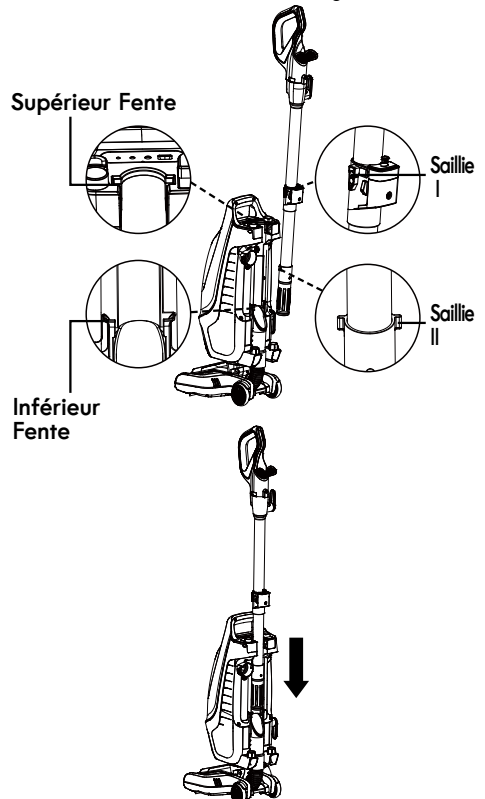
1. Pour placer le corps sur la buse, portez le corps au dessus de la buse, puis alignez le col de la buse sur les guides situés dans le corps. Ensuite, laissez glisser le corps lentement en place jusqu'à ce qu'un « déclic » se fasse entendre.



2. Insérez le manche dans le tube jusqu'à ce que vous entendiez un « déclic ».

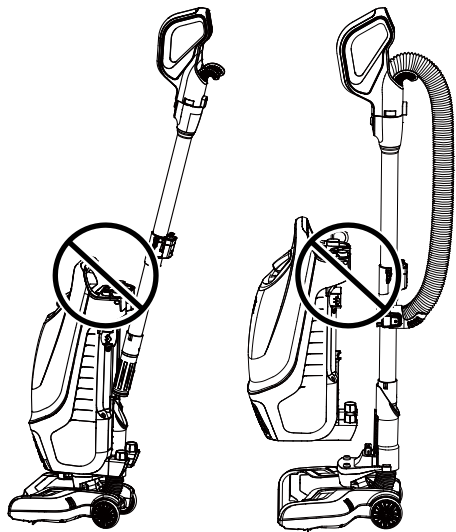


3. Placez le tube parallèlement au corps; assurez-vous que la saillie se trouve sous la fente supérieure, ainsi qu'illustré. Ensuite, appuyez sur le tube pour qu'il se loge dans le corps, puis insérez-le dans le col de la buse d'une pression vers le bas. Assurez-vous que la saillie I est verrouillée dans la fente supérieure et la saillie II dans la fente inférieure. Un « déclic » se fait entendre une fois que vous avez terminé le montage du tube.

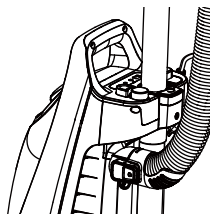
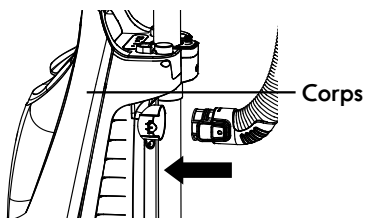


REMARQUE : NE PAS incliner le tube pour l'insérer dans le col de la buse.

NE PAS insérer le tube avant de placer le corps sur la buse.

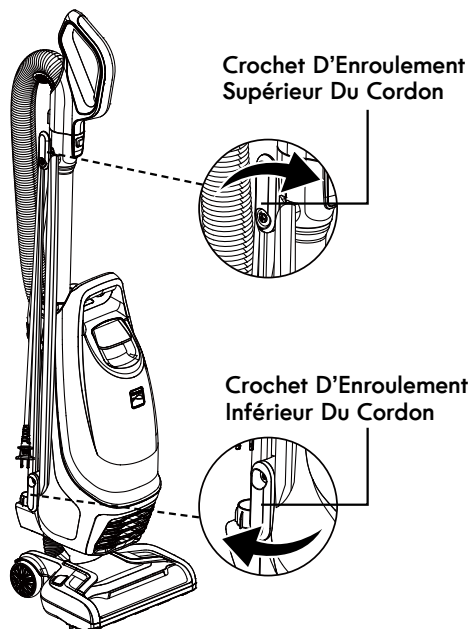


4. Insérez le tuyau dans le corps jusqu'à ce que vous entendiez un « dé clic ».

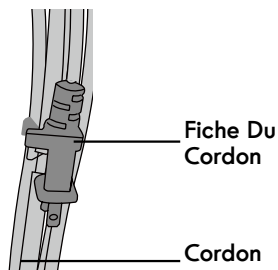


5. Assurez-vous que les crochets d'enroulement supérieur et inférieur du cordon sont correctement positionnés, ainsi qu'illustré. Enroulez le cordon d'alimentation sans le serrer autour des crochets d'enroulement supérieur et inférieur du cordon.

REMARQUE: Veillez à enrouler le cordon d'alimentation autour du crochet d'enroulement supérieur en premier, puis autour du crochet d'enroulement inférieur afin d'éviter d'endommager le cordon d'alimentation.



6. Verrouillez la fiche du cordon d'alimentation sur le cordon d'alimentation.



⚠ AVERTISSEMENT

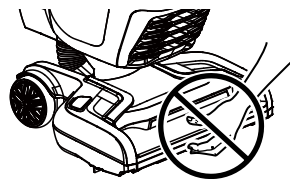
Risques D'Électrocution et De Blessures Corporelles

L'enroulement trop serré du cordon soumis à un stress excessif risque d'endommager celui-ci. Un cordon endommagé présente des risques d'électrocution et peut entraîner des blessures corporelles ou des dommages.

INSTRUCTIONS D'UTILISATION

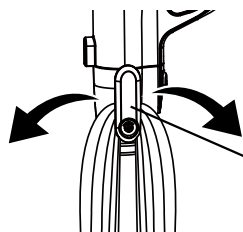
ATTENTION

Pièces mobiles! Afin de réduire tout risque de blessures, NE PAS toucher la brosse à rouleau lorsque l'aspirateur est en marche. Tout contact avec la brosse à rouleau en rotation peut provoquer coupures, ecchymoses ou toutes autres blessures. Mettez toujours hors tension l'aspirateur après utilisation. Faites preuve de prudence lorsque vous utilisez l'aspirateur en présence d'enfants ou d'animaux familiers.



CORDON D'ALIMENTATION : DÉGAGEMENT ET UTILISATION

1. Tournez le crochet d'enroulement supérieur du cordon vers un côté ou l'autre, puis vers le bas pour dégager le cordon d'alimentation.



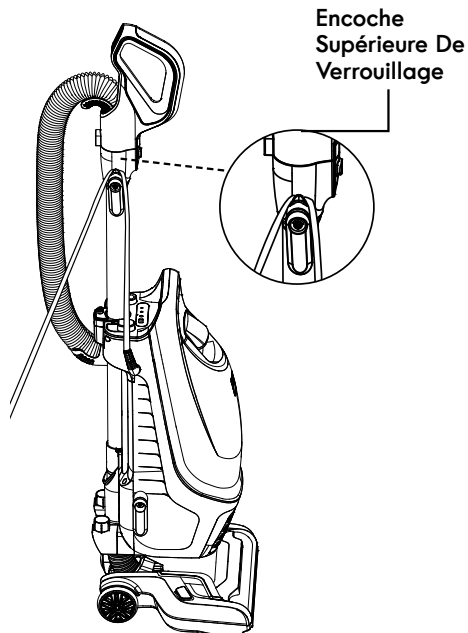
Crochet
D'Enroulement
Supérieur Du
Cordon

AVERTISSEMENT

Afin de réduire tout risque d'électrocution, cet appareil comporte une prise polarisée (une lame est plus large que l'autre). Il n'y a qu'une façon d'insérer la fiche dans une prise polarisée. Si la fiche ne s'insère pas entièrement dans la prise, inversez la fiche. Si elle ne s'insère toujours pas correctement, contactez un électricien qualifié afin qu'il installe une prise adaptée. Ne modifiez en aucun cas la fiche.

2. Détachez la fiche du cordon d'alimentation du cordon d'alimentation.
3. Assurez-vous que le cordon d'alimentation est verrouillé dans l'encoche de verrouillage supérieure, ainsi qu'illustré. Cela permet de mieux

gérer le cordon d'alimentation lors de l'utilisation de l'aspirateur.



4. Branchez la fiche du cordon d'alimentation à une prise de courant située près du plancher.

CORDON D'ALIMENTATION : DÉGAGEMENT ET UTILISATION



AVERTISSEMENT

Risques de blessures corporelles et de dommages matériels

- En cas d'anomalie/de panne, cessez immédiatement d'utiliser le produit, puis débranchez la fiche d'alimentation.
- **NE PAS** utiliser de prises de courant situées au-dessus des comptoirs. Le cordon risque d'endommager des objets dans la zone environnante.

5. Appuyez sur le bouton On/Off (Marche/Arrêt) pour mettre l'aspirateur en marche.
6. Une fois que vous avez terminé de passer l'aspirateur, appuyez sur le bouton On/Off (Marche/Arrêt); débranchez la fiche du cordon d'alimentation de la prise de courant.

7. Pour rétablir le cordon d'alimentation après utilisation, positionnez à la verticale le crochet d'enroulement supérieur du cordon. Enroulez ensuite le cordon sans le serrer autour des crochets d'enroulement du cordon.



WARNING

Electrical Shock and Personal Injury Hazard

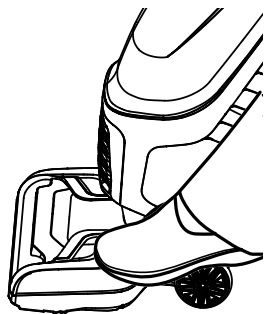
Wrapping the cord too tightly puts stress on the cord and can cause cord damage. A damaged cord is an electrical shock hazard and could cause personal injury or damage.

MODES D'UTILISATION

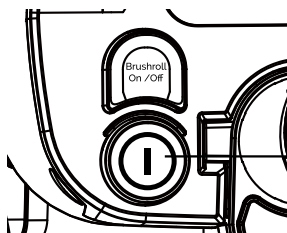
MODE VERTICAL

REMARQUE: Assurez-vous que l'aspirateur est entièrement monté. Ne pas faire fonctionner l'aspirateur sans sac à poussières en place.

1. Dégagez le manche en plaçant un pied sur la buse et en le tirant vers l'arrière afin de changer la position du manche.



2. Mettez sous tension l'aspirateur en appuyant sur le bouton On/Off (Marche/Arrêt) pour effectuer le nettoyage d'un plancher nu.



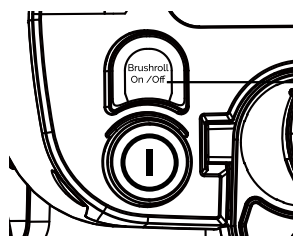
Bouton On/Off (Marche/Arrêt)

REMARQUE : Votre aspirateur comporte deux modes de nettoyage : un mode consacré aux planchers nus et un mode consacré aux moquettes. L'aspirateur se met en marche en mode de nettoyage de moquettes, ce qui signifie que la brosse à rouleau tourne. Pour accéder au mode de nettoyage de planchers nus, il suffit d'appuyer sur le bouton On/Off (Marche/Arrêt) de la Brosse à Rouleau pour arrêter celle-ci. Nous vous déconseillons de passer

MODES D'UTILISATION

l'aspirateur avec la brosse à rouleau en marche lorsque vous nettoyez des planchers nus, car cela risque d'endommager votre plancher.

- Appuyez sur le bouton On/Off (Marche/Arrêt) de la brosse à rouleau pour nettoyer des moquettes.
- Une fois l'aspirateur en marche, utilisez celui-ci en inclinant le tube en arrière vers vous et la buse affleure la surface du plancher.



Bouton On/Off (Marche/Arrêt) de la Brosse À Rouleau

REMARQUE: La brosse à rouleau tourne lorsque l'aspirateur est ainsi positionné.

REMARQUE: La brosse à rouleau ne tourne en aucun des deux modes lorsque le manche est entièrement positionné à la verticale.



ATTENTION

Ne pas laisser l'aspirateur rester au même endroit pour quelque durée que ce soit lorsque la brosse à rouleau est en rotation. La moquette risque d'être endommagée.

- Une fois que vous avez terminé de passer l'aspirateur, appuyez à nouveau sur le bouton On/Off (Marche/Arrêt), puis débranchez le cordon d'alimentation de la prise de courant.

REMARQUE: Si la brosse à rouleau est en marche, appuyez en premier lieu sur le bouton On/Off (Marche/Arrêt) de la Brosse À Rouleau pour arrêter celle-ci, puis sur le bouton On/Off (Marche/Arrêt) pour arrêter l'aspirateur.

INDICATEUR DE NIVEAU DE REMPLISSAGE DU SAC

Lorsque le sac à poussières se remplit de saletés et de débris, un voyant situé près du tube permet d'estimer le niveau de remplissage du sac. Une fois que tous les voyants LED sont allumés en rouge, le sac doit être remplacé. Voir la page 21-22 pour trouver les instructions relatives au remplacement du sac à poussières.

Indicateur De Niveau De Remplissage Du Sac	Niveau De Remplissage Du Sac
Un voyant LED (situé entièrement à gauche) allumé en vert fixe	Des voyants s'allument progressivement pour indiquer que le sac se remplit. Remplacez le sac lorsque tous les voyants LED commencent à s'allumer en rouge de façon continue.
Deux voyants LED, allumés en orange fixe	
Trois voyants LED, allumés en orange fixe	
Quatre voyants LED, allumés en rouge fixe	



ATTENTION

Veillez à remplacer le sac à poussières lorsque tous les voyants LED commencent à s'allumer en rouge de façon continue. Dans le cas contraire, les voyants LED clignotent en rouge. Si le clignotement en rouge persiste après remplacement du sac à poussières, vérifiez l'état du conduit, puis nettoyez-le, car il est obstrué.

Bag Fill Level

Empty ●



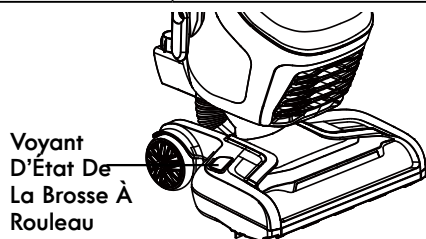
Replace bag

Full

MODES D'UTILISATION

VOYANT D'ÉTAT DE LA BROSSE À ROULEAU

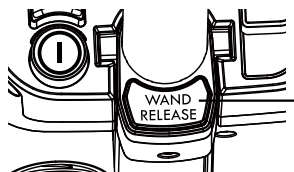
Voyant D'État De La Brosse À Rouleau	État
Voyants LED verts	La brosse à rouleau tourne et fonctionne comme il se doit.
Voyants LED rouges	Présence de bourrage dans la zone de la brosse à rouleau. Mettez hors tension et débranchez l'aspirateur, puis éliminez les obstructions présentes dans la buse.
Voyants LED éteints	La brosse à rouleau est arrêtée.



MODE AU-DESSUS DU PLANCHER

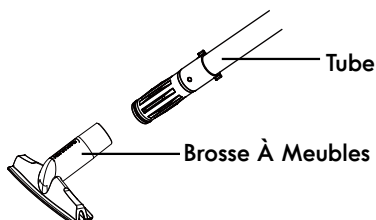
1. Positionnez l'aspirateur verrouillé à la verticale.

2. Appuyez sur le bouton de dégagement du tube, puis soulevez le tube pour effectuer un nettoyage au-dessus du plancher.



Bouton De Dégagement Du Tube

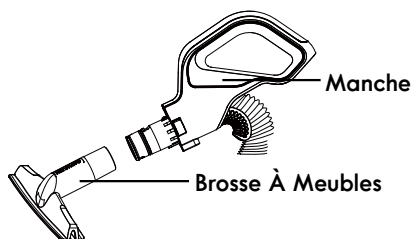
3. Choisissez les accessoires souhaités, puis insérez-les dans le tube.



4. Mettez sous tension l'aspirateur en appuyant sur le bouton On/Off (Marche/Arrêt).

5. Une fois que vous avez terminé de passer l'aspirateur, appuyez à nouveau sur le bouton On/Off (Marche/Arrêt), puis débranchez le cordon d'alimentation de la prise de courant.

REMARQUE: Les accessoires peuvent également être insérés directement dans le manche pour effectuer un nettoyage au-dessus du plancher.



MODES D'UTILISATION



ATTENTION

Lorsque vous utilisez des accessoires, veillez à ne pas étendre à l'excès le tuyau extensible lorsque vous vous penchez pour atteindre certains endroits. Toute tentative visant à dépasser la capacité d'extension du tuyau risque d'entraîner le renversement de l'aspirateur.

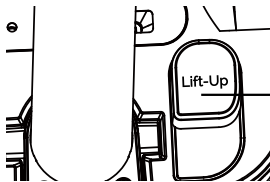


ATTENTION

NE PAS tirer l'aspirateur par le tuyau dans la pièce. Cela risque d'entraîner des dommages matériels ou blessures corporelles.

MODE LIFT-UP (Soulever)

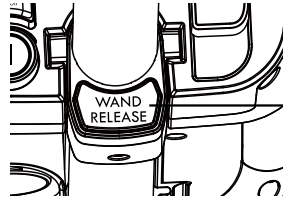
1. Positionnez l'aspirateur verrouillé à la verticale.
2. Appuyez sur le bouton « Lift-up » (Soulever), puis soulevez le corps afin de porter le produit.



Bouton Lift-up (Soulever)

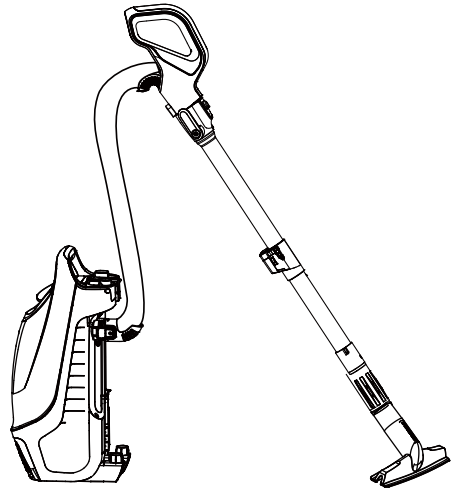
3. Appuyez sur le bouton de dégagement du tube, puis soulevez le tube pour nettoyer les escaliers ou tous autres endroits difficiles d'accès.

REMARQUE: Assurez-vous que le cordon d'alimentation est dégagé des crochets d'enroulement du cordon avant de soulever la tube.



Bouton De Dégagement Du Tube

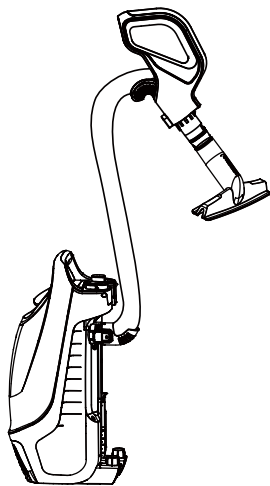
4. Choisissez les accessoires souhaités, puis insérez-les dans le tube.



5. Mettez sous tension l'aspirateur en appuyant sur le bouton On/Off (Marche/Arrêt).
6. Une fois que vous avez terminé de passer l'aspirateur, appuyez à nouveau sur le bouton On/Off (Marche/Arrêt), puis débranchez le cordon d'alimentation de la prise de courant.

MODES D'UTILISATION

REMARQUE Les accessoires peuvent également être insérés directement dans le manche.



ATTENTION

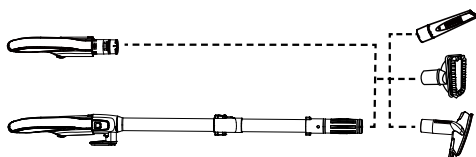
Lorsque vous utilisez des accessoires, veillez à ne pas étendre à l'excès le tuyau extensible lorsque vous vous penchez pour atteindre certains endroits. Toute tentative visant à dépasser la capacité d'extension du tuyau risque d'entraîner le renversement de l'aspirateur.

ATTENTION

NE PAS tirer l'aspirateur par le tuyau dans la pièce. Cela risque d'entraîner des dommages matériels ou blessures corporelles.

ACCESSOIRES

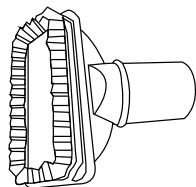
Tous les outils accessoires inclus peuvent être inséré dans la poignée ou la baguette.



BROSSE À ÉPOUSSETER DELUXE

Faites coulisser le collier de la brosse dans l'extrémité ouverte du tuyau ou du tube.

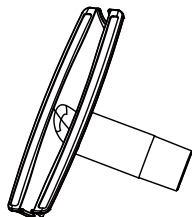
Utilisez une brosse à épousseter Deluxe pour nettoyer les surfaces non fixées, notamment rideaux, meubles ou murs. Voir le TABLEAU D'UTILISATION DES ACCESSOIRES (page 15).



BROSSE À MEUBLES

L'outil à usages Brosse à meubles peut être fixé à l'extrémité du tube et du manche. Faites coulisser le collier de l'outil par dessus l'extrémité ouverte du tube ou du manche.

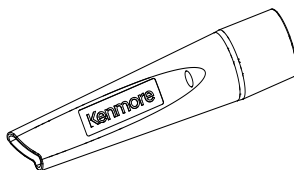
L'outil à usages Brosse à meubles peut être fixé à l'extrémité du tube et du manche. Faites coulisser le collier de l'outil par dessus l'extrémité ouverte du tube ou du manche.



OUTIL CREVICE

Faites coulisser le collier de la suceur plat dans l'extrémité ouverte du tuyau ou du tube.

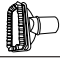


Utilisez l'outil à usages Suceur pour effectuer le nettoyage dans les espaces restreints tels que les meubles, entre les coussins et dans les escaliers. Voir le TABLEAU D'UTILISATION DES ACCESSOIRES (page 15).



ATTENTION

Utilisez les accessoires lorsque l'aspirateur est positionné à la verticale.

TABLEAU D'UTILISATION DES ACCESSOIRES

ZONE DE NETTOYAGE ✓ = Applicable						
ACCESSOIRE	Meubles*	Entre les coussins *	Rideaux*	Escaliers		Plinthes
				Moquette	Nu	
BROSSE À ÉPOUSSETTE 	✓		✓			
BROSSE À MEUBLES 	✓		✓			
EMBOUT PLAT 	✓	✓		✓	✓	✓

*Toujours nettoyer les accessoires avant de les utiliser sur des tissus.

CARACTÉRISTIQUES DE PERFORMANCE/SÉCURITÉ

DISPOSITIF DE PROTECTION THERMIQUE

Cet aspirateur est doté d'un protecteur thermique qui se déclenche automatiquement pour protéger le moteur d'aspiration de l'aspirateur. En cas de congestion empêchant l'écoulement normal d'air vers le moteur, le dispositif de protection thermique éteint automatiquement le moteur. Cela permet au moteur de refroidir afin d'éviter d'endommager éventuellement l'aspirateur.

Pour réinitialiser le protecteur thermique

: Mettez hors tension l'aspirateur, puis débranchez le cordon d'alimentation de la prise de courant pour permettre à l'aspirateur de refroidir et aux protecteurs thermiques de se réinitialiser.



ATTENTION

Remettez toujours l'aspirateur à la verticale avant d'utiliser le tuyau et les accessoires. Le non-respect de cette consigne peut entraîner une surchauffe du moteur de la brosse à rouleau et provoquer le déclenchement des protecteurs thermiques.

Vérifiez la présence de blocages, puis éliminez ceux-ci. Ensuite, remplacez le sac à poussières, au besoin. Vérifiez également l'état des filtres, puis nettoyez tous les filtres bouchés. Patientez environ 50 minutes avant de redémarrer l'aspirateur.

SOUPAPE DE DÉRIVATION

Cet aspirateur est équipé d'une soupape de dérivation qui permet de prévenir surchauffe et endommagement du moteur. La soupape s'ouvre pour fournir de l'air de refroidissement lorsqu'une congestion empêche le flux d'air normal vers le moteur d'aspiration de l'aspirateur. Vous remarquerez un changement sonore lorsque l'air pénètre par l'ouverture de la soupape.

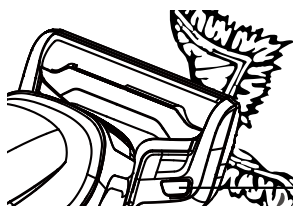
Pour corriger le problème : éliminez toutes

obstructions éventuelles. Vérifiez l'état des filtres, puis remplacez-les au besoin. Ensuite, vérifiez l'état du sac à poussières, puis installez-en un neuf, au besoin.

REMARQUE : La Soupape De Dérivation peut s'ouvrir lors de l'utilisation d'accessoires ou lors du nettoyage d'une moquette neuve en raison d'une réduction du débit d'air ou d'une obstruction du conduit d'air, causé par les accessoires eux-mêmes ou par des peluches provenant de la moquette neuve et remplissant rapidement le sac à poussières.

RÉINITIALISATION DE LA BROSSÉ À ROULEAU

La brosse à rouleau est dotée d'un dispositif de protection intégré contre tout endommagement du moteur en cas de blocage de la brosse à rouleau. En cas de ralentissement ou d'arrêt de la brosse à rouleau, le dispositif de protection contre toute surcharge de la brosse à rouleau coupe le moteur de la brosse à rouleau et le voyant d'état de la brosse à rouleau s'allume en rouge. Le moteur d'aspiration de l'aspirateur continue de tourner.



Voyant D'État De La Brosse À Rouleau

Pour résoudre ce problème : Mettez hors tension l'aspirateur, puis débranchez-le. Ensuite, éliminez toutes les obstructions, puis remettez en marche l'aspirateur.

REMARQUE: Une fois que le moteur de la brosse à rouleau s'arrête, il convient d'éliminer tout bourrage de la brosse à rouleau et de redémarrer l'aspirateur. Si le problème persiste, contactez le service d'assistance téléphonique en charge du suivi de l'aspirateur afin d'obtenir de l'aide.

CARACTÉRISTIQUES DE PERFORMANCE/SÉCURITÉ

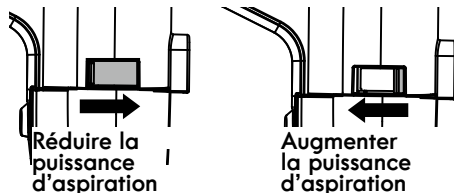
RÉGULATION D'ASPIRATION

Pour s'aider de la force de poussée/traction de l'aspirateur sur des surfaces comme les moquettes épaisses, la soupape de régulation d'aspiration peut être ouverte pour permettre de réduire l'aspiration.

Remarque importante : pour obtenir des résultats de nettoyage optimaux, la soupape de régulation d'aspiration doit être entièrement fermée.

Faites glisser vers la droite pour ouvrir la régulation d'aspiration et réduire l'aspiration. L'ouverture de la régulation permet de réduire l'aspiration pour ce qui concerne draperies et tapis légers.

Faites glisser vers la gauche pour fermer la régulation d'aspiration et augmenter l'aspiration. La fermeture de la régulation augmente l'aspiration pour ce qui concerne tapisserie pour meubles et moquettes.



ENTRETIEN ET SOIN DE L'ASPIRATEUR

Respectez toujours toutes les mesures de sécurité lorsque vous effectuez l'entretien de l'aspirateur.



AVERTISSEMENT

Risques D'Électrocution et De Blessures Corporelles

Coupez l'alimentation électrique avant de procéder à l'entretien, à la réparation ou au nettoyage de l'aspirateur. Le non-respect de cette consigne pourrait entraîner un risque d'électrocution ou des blessures corporelles causées par le démarrage subit de l'aspirateur.

NETTOYAGE DE L'EXTÉRIEUR ET DES ACCESSOIRES

1. Mettez hors tension l'aspirateur, puis débranchez-le. NE PAS laisser de l'eau s'égoutter sur l'aspirateur.
2. Pour nettoyer l'extérieur ou pour réduire l'électricité statique et l'accumulation de poussière, essuyez la surface extérieure à l'aide d'un chiffon propre et doux qui a été plongé dans une solution de détergent liquide doux et d'eau, puis essoré. Bien essuyer après nettoyage.

REMARQUE: Lavez les accessoires à l'eau tiède savonneuse, rincez-les, puis laissez-les sécher à l'air libre. Ne pas nettoyer au lave-vaisselle.



ATTENTION

Ne pas utiliser les accessoires s'ils sont mouillés. Les accessoires utilisés dans des endroits sales, comme sous un réfrigérateur, ne doivent pas être utilisés sur d'autres surfaces jusqu'à ce qu'ils soient lavés. Ceux-ci risquent de laisser des marques.

RANGEMENT DE L'ASPIRATEUR



AVERTISSEMENT

Risques D'Électrocution et De Blessures Corporelles

L'enroulement trop serré du cordon ajoute du stress à celui-ci et risque de l'endommager. Un cordon endommagé présente des risques d'électrocution et peut entraîner des blessures corporelles ou des dommages.

1. Placez le tuyau flexible et les accessoires en position de rangement, au besoin (voir la page 7-8).
2. Rassemblez le cordon, puis enroulez-le sans le serrer autour des crochets d'enroulement supérieur et inférieur du cordon. Verrouillez le dispositif de retenue de la fiche sur le cordon d'alimentation. Voir la page 8.
3. Rangez l'aspirateur dans un endroit sec, à l'intérieur, sur le plancher, avec le manche verrouillé à la verticale.

REPLACEMENT DU SAC À POUSSIÈRES

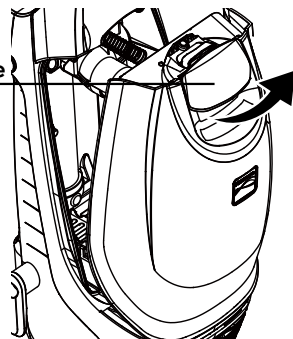


AVERTISSEMENT

Débranchez toujours le cordon d'alimentation de la prise électrique avant d'effectuer tous travaux d'entretien ou de réparation sur l'aspirateur.

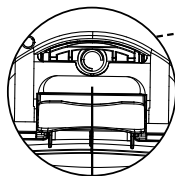
1. Tirez la poignée de déverrouillage du couvercle de l'enceinte à sac à poussières vers l'extérieur et vers le haut, tenez le couvercle à l'aide de la poignée.

Dispositif
D'Ouverture
Du
Couvercle
De
L'Enceinte
À Sac À
Poussières



REMARQUE: Ne pas appuyer sur le bouton de déverrouillage du sac à poussières lorsque vous retirez le couvercle de l'enceinte à sac à poussières. Dans le cas contraire, le sac à poussières s'abaisse automatiquement.

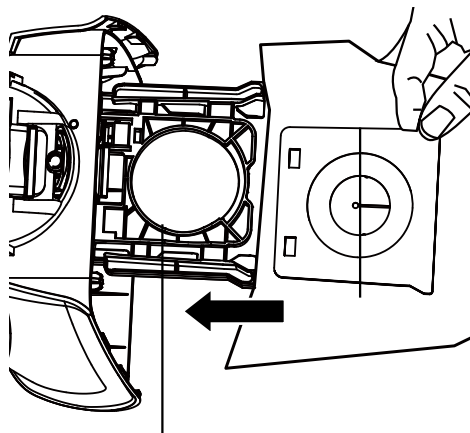
2. Inclinez l'enceinte à sac à poussières ainsi qu'illustré. Appuyez sur le bouton de déverrouillage du sac à poussières et le sac à poussières s'abaisse automatiquement.



Bouton De
Dégagement
Du Sac À
Poussières

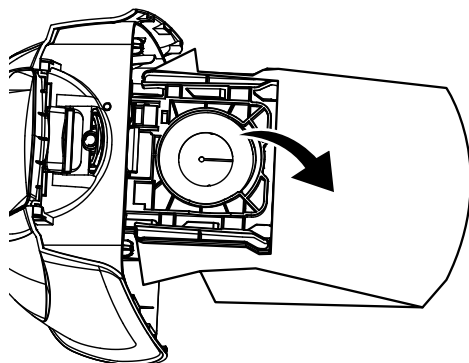


3. Pour installer un nouveau sac à poussières, insérez le collier du sac à poussières dans le support jusqu'à ce que vous entendiez un « déclic », puis faites pivoter le support vers le bas jusqu'à ce qu'un autre « déclic » se fasse entendre. Rentrez le sac dans l'enceinte à sac à poussières. Assurez-vous que tous les côtés du sac à poussières sont à plat dans l'enceinte à sac à poussières.



Support

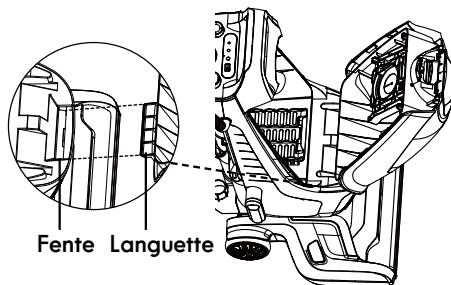
Collier du Sac à
poussières



REPLACEMENT DU SAC À POUSSIÈRES

4. Placez la languette du couvercle de l'enceinte à sac à poussières dans la fente de l'aspirateur. Appuyez sur le couvercle de l'enceinte à sac à poussières jusqu'à ce qu'un « déclic » se fasse entendre.

REMARQUE: Assurez-vous que le sac à poussières est verrouillé en place avant d'appuyer sur le couvercle de l'enceinte à sac à poussières. Impossible de monter le couvercle de l'enceinte à sac à poussières avec succès si le sac à poussières est manquant ou n'est pas installé en place.



NETTOYAGE DU FILTRE EN MOUSSE



AVERTISSEMENT

Risque d'électrocution

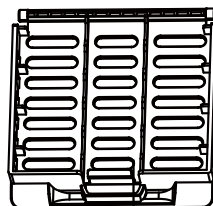
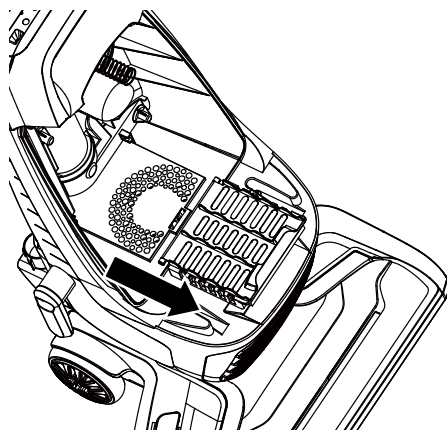
Débranchez le cordon d'alimentation de la prise électrique. Ne pas faire fonctionner l'aspirateur sans le filtre en mousse. Assurez-vous que le filtre est sec et correctement installé afin d'éviter une défaillance du moteur et/ou tout risque d'électrocution.

Nettoyez le filtre en mousse à l'eau froide si nécessaire.

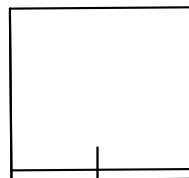
REMARQUE Lorsque le nettoyage des filtres ne rétablit plus la pleine puissance d'aspiration de l'aspirateur, ou lorsque les filtres sont usés ou brisés, remplacez ceux-ci. Pour acheter des filtres, veuillez composer le numéro : 1-844-608-3080 (US) / 1-844-608-3081 (CA). Nettoyez et remplacez régulièrement les filtres afin de maintenir la puissance d'aspiration de l'aspirateur à un niveau optimal.

1. Retirez le sac à poussières ainsi qu'indiqué dans la section **REPLACEMENT DU SAC À POUSSIÈRES** (page 21-22).

2. Retirez le couvercle du logement du filtre en mousse ainsi que le filtre en mousse.



Couvercle Du Logement Du Filtre En Mousse



Filtre en mousse

NETTOYAGE DU FILTRE EN MOUSSE

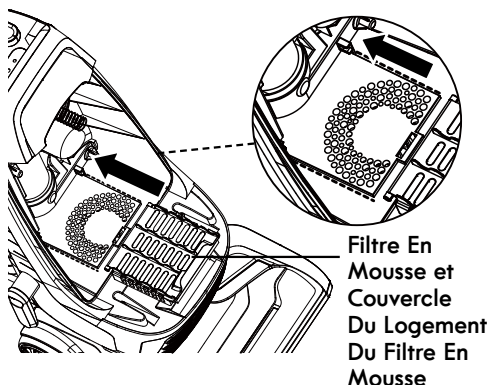
3. Lavez le filtre à l'eau tiède savonneuse, rincez-le et séchez-le soigneusement en pressant l'excès d'eau du filtre et en le laissant sécher à l'air libre pendant 24 heures.

REMARQUE: NE PAS utiliser sans filtre en mousse installé.

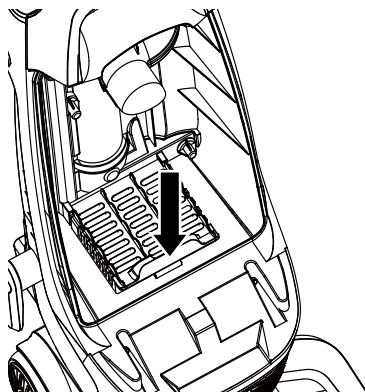
NE PAS laver le filtre au lave-vaisselle.

NE PAS installer de filtre en mousse s'il est humide.

4. Réinstallez le filtre en mousse dans le couvercle du logement du filtre en



mousse, puis faites-le coulisser dans les fentes jusqu'à ce qu'il soit en place. Appuyez sur le couvercle pour le verrouiller en place jusqu'à ce qu'un « dé clic » se fasse entendre.ard.



REMARQUE: Remplacez le filtre en mousse s'il est usé ou brisé.

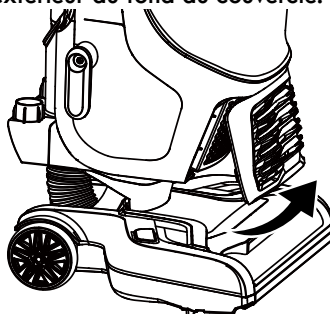
5. Réinstallez le sac à poussières ainsi qu'indiqué dans la section **REPLACEMENT DU SAC À POUSSIÈRES** (page 21-22).

NETTOYAGE DU FILTRE D'ÉVACUATION À CARTOUCHE HEPA

Nous vous recommandons de nettoyer à l'eau froide chaque année le filtre d'évacuation à cartouche HEPA.

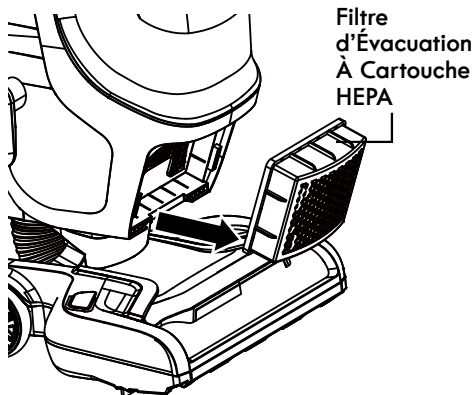
REMARQUE: Lorsque le nettoyage du filtre ne rétablit plus la pleine puissance d'aspiration de l'aspirateur, ou lorsque le filtre est usé ou brisé, remplacez le filtre d'évacuation. Pour acheter le filtre d'évacuation, veuillez composer le numéro : 1-844-608-3080 (US) / 1-844-608-3081 (CA).

1. Retirez le couvercle du logement du filtre d'évacuation en tirant la languette vers l'extérieur au fond du couvercle.



NETTOYAGE DU FILTRE D'ÉVACUATION À CARTOUCHE HEPA

2. Retirez le filtre d'évacuation à cartouche HEPA de l'aspirateur.



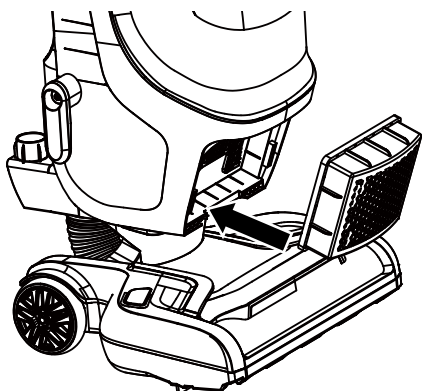
3. Lavez-le à l'eau froide uniquement. NE PAS utiliser de détergents ou du savon. Laissez-le sécher à l'air libre. Laissez les pièces sécher 24 heures avant de les remettre dans l'aspirateur.

REMARQUE: NE PAS utiliser sans filtre à moteur installé.

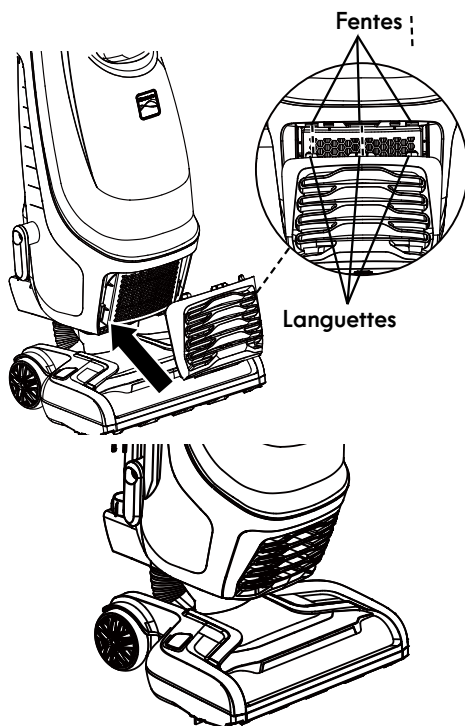
NE PAS laver le filtre au lave-vaisselle.

NE PAS installer le filtre s'il est humide.

4. Réinstallez le filtre d'évacuation à cartouche HEPA dans l'aspirateur.



5. Insérez les languettes du couvercle du logement du filtre d'évacuation dans les fentes supérieures, puis verrouillez le couvercle du logement du filtre d'évacuation en place en appuyant sur la languette de dégagement située sous le couvercle jusqu'à ce qu'un « déclic » se fasse entendre.



REMARQUE: Assurez-vous que le couvercle du logement du filtre d'évacuation est correctement installé.

NETTOYAGE DE LA BROSSE À ROULEAU

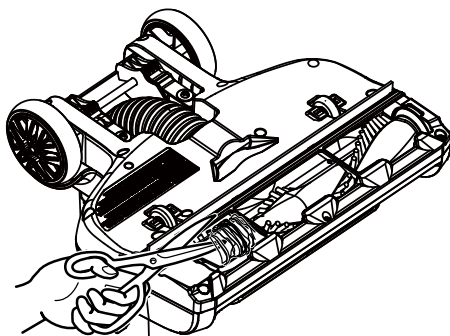


AVERTISSEMENT

Débranchez toujours le cordon d'alimentation de la prise électrique avant d'effectuer tous travaux d'entretien sur l'aspirateur.

Pour que le nettoyage soit efficace, la brosse à rouleau doit être exempte d'accumulation de fibres de moquettes, de ficelles ou de poils ou cheveux. En cas de blocage de la brosse à rouleau, débranchez et retournez l'aspirateur, puis vérifiez la présence d'accumulation de fibres et de poils ou cheveux sur la brosse à rouleau. Utilisez des ciseaux pour éliminer toute accumulation de fibres, de poils ou cheveux empêtrés autour de

la brosse. Nous vous recommandons de nettoyer régulièrement la brosse afin d'obtenir des résultats optimaux.



ÉLIMINATION DES OBSTRUCTIONS

AVERTISSEMENT

Coupez l'alimentation électrique avant d'éliminer les obstructions. Le non-respect de cette disposition vous expose à des risques d'électrocution ou de blessures corporelles.

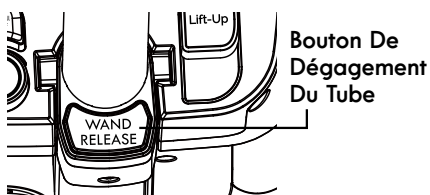
VÉRIFICATION DE LA PRÉSENCE D'OBSTRUCTIONS DANS LE TUYAU FLEXIBLE

S'il y a un bruit anormal perceptible lors de l'utilisation de l'aspirateur ou si la puissance d'aspiration chute soudainement, il est nécessaire de vérifier la présence d'obstructions dans le conduit d'air.

Vérifiez fréquemment l'état du conduit d'air afin de vous assurer de l'absence de toutes obstructions.

REMARQUE: Les quatre voyants LED de l'indicateur de niveau de remplissage du sac clignotent en rouge lorsque le conduit d'air est obstrué.

1. Dégagez le tube du corps, puis veillez à retirer tous les accessoires du tube.

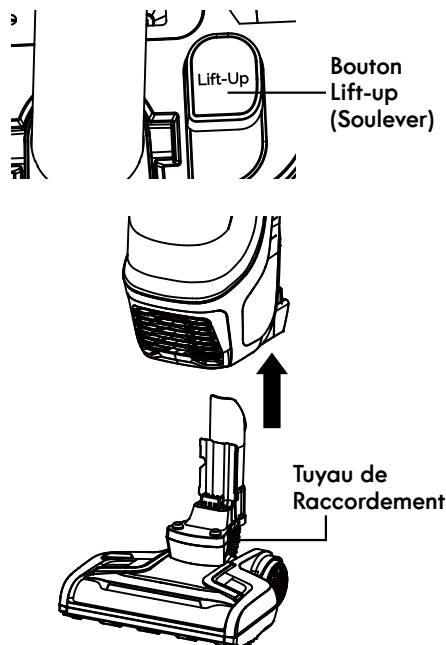


2. Vérifiez la présence d'obstructions éventuelles dans le tuyau flexible, puis éliminez-en celles-ci, le cas échéant.

3. Réinstallez le tube sur l'aspirateur. Voir la section MONTAGE (page 7-8).

VÉRIFICATION DE LA PRÉSENCE D'OBSTRUCTIONS DANS LE TUYAU DE RACCORDEMENT

Pour séparer le corps de la buse, appuyez sur le bouton Lift-up (Soulever), puis soulevez le corps.



1. Vérifiez la présence d'obstructions éventuelles dans le tuyau de raccordement, puis éliminez-en celles-ci, le cas échéant.

2. Refixez la buse en place sur le corps de l'aspirateur.

DÉPANNAGE

Consultez ce tableau pour trouver des solutions de bricolage pour tous problèmes mineurs de performances. Tous travaux d'entretien ou de réparation nécessaires, autre que l'entretien décrit dans le présent Guide D'Utilisation Et D'Entretien, tout autre service requis, composez le 1-844-608-3080 (US) / 1-844-608-3081 (CA). pour organiser le service de réparation.



AVERTISSEMENT

Coupez l'alimentation électrique avant d'effectuer l'entretien de l'aspirateur. Le non-respect de cette disposition vous expose à des risques d'électrocution ou de blessures corporelles.

PROBLÈME	CAUSE POSSIBLE	SOLUTION
L'aspirateur ne fonctionne pas.	Débranché de la prise de courant.	Branchez fermement, puis appuyez sur le bouton On/Off (Marche/Arrêt).
	Le bouton On/Off (Marche/Arrêt) n'est pas enfoncé pour démarrer l'aspirateur.	Appuyez sur le bouton On/Off (Marche/Arrêt) pour démarrer l'aspirateur.
	Prise de courant défectueuse.	Vérifiez l'état de la prise à l'aide d'un bon appareil ou d'une bonne lampe. Faites réparer correctement la prise de courant.
	Le corps de l'aspirateur est surchauffé.	Débranchez le cordon d'alimentation, puis laissez refroidir l'aspirateur pendant 50 minutes.
	Le moteur est endommagé.	Veillez composer le numéro : 1-844-608-3080 (US) / 1-844-608-3081 (CA) pour obtenir de l'aide.
Mauvaise récupération des saletés.	Le tuyau et les accessoires ne sont pas installés correctement.	Vérifiez l'état du tuyau et des accessoires afin de vous assurer qu'ils sont correctement installés et fermement enclenchés.
	Le sac à poussières n'est pas installé correctement.	Vérifiez l'état du sac à poussières afin de vous assurer qu'il est correctement installé et fermement enclenché.
	Le sac à poussières est plein ou obstrué.	Remplacez le sac à poussières (page 21-22).
	Présence d'obstructions dans le conduit d'air.	Vérifiez la présence d'obstructions éventuelles dans le conduit d'air, puis éliminez-en toutes celles-ci, le cas échéant. Suivez les instructions données en page 23-24.
	La régulation d'aspiration est ouverte.	Réglez la régulation d'aspiration pour augmenter l'aspiration. Suivez les instructions données en page 18-19.

DÉPANNAGE

Mauvaise récupération des saletés.	Le filtre en mousse ou le filtre d'évacuation à cartouche HEPA doit être nettoyé ou remplacé.	Nettoyez ou remplacez le filtre en mousse ou le filtre d'évacuation à cartouche HEPA. Suivez les instructions de nettoyage du filtre en mousse ou du filtre d'évacuation à cartouche HEPA données en page 23 ou 24.
	Le tuyau est usé.	Remplacez le tuyau. Pour acheter des pièces, veuillez composer le numéro : 1-844-608-3080 (US) / 1-844-608-3081 (CA).
	La brosse à rouleau est usé.	Veuillez composer le numéro : 1-844-608-3080 (US) / 1-844-608-3081 (CA) pour obtenir de l'aide.
	La courroie est usée ou brisée.	Veuillez composer le numéro : 1-844-608-3080 (US) / 1-844-608-3081 (CA) pour obtenir de l'aide.
De la poussière s'échappe de l'aspirateur.	Le sac à poussières ou le couvercle de l'enceinte à sac à poussières n'est pas installé correctement.	Vérifiez l'état du sac à poussières ou du couvercle de l'enceinte à sac à poussières afin de vous assurer qu'ils sont correctement installés et fermement enclenchés. Suivez les instructions données en page 21-22.
	Le filtre d'évacuation à cartouche HEPA est mal installé.	Vérifiez l'état du filtre d'évacuation afin de vous assurer qu'il est correctement installé. Suivez les instructions données en page 23-24.
	Le sac à poussières est usé ou brisé.	Vérifiez l'état du sac à poussières, puis remplacez-le, le cas échéant.
	Le filtre en mousse ou le filtre d'extraction à cartouche HEPA est usé ou brisé.	Vérifiez l'état du filtre en mousse ou du filtre d'évacuation à cartouche HEPA, puis remplacez-le.
La brosse à rouleau ne tourne pas.	Le manche est positionné entièrement à la verticale.	Déplacez le manche de la position entièrement verticale.
	Le bouton On/Off (Marche/Arrêt) de la brosse à rouleau n'est pas enfoncé pour démarrer la brosse à rouleau.	Appuyez sur le bouton On/Off (Marche/Arrêt) de la brosse à rouleau pour démarrer la brosse à rouleau.
	La brosse à rouleau est bloquée.	Éliminez-en toute obstruction. Suivez les instructions données en page 23-24.
	La brosse à rouleau n'est pas installée correctement.	Veuillez composer le numéro : 1-844-608-3080 (US) / 1-844-608-3081 (CA) pour obtenir de l'aide.
	La courroie n'est pas acheminée correctement.	Veuillez composer le numéro : 1-844-608-3080 (US) / 1-844-608-3081 (CA) pour obtenir de l'aide.
	Défaillance dans la section du circuit imprimé de l'électro-brosse.	Veuillez composer le numéro : 1-844-608-3080 (US) / 1-844-608-3081 (CA) pour obtenir de l'aide.

DÉPANNAGE

Le son change.	Le couvercle du logement du filtre d'évacuation n'est pas installé correctement.	Positionnez correctement le couvercle du logement du filtre d'évacuation, puis enclenchez-le fermement en place. Suivez les instructions données en page 23.
	Le conduit d'air est bouché.	Vérifiez la présence d'obstructions éventuelles dans le conduit d'air, puis éliminez-en celles-ci et nettoyez le conduit d'air. Suivez les instructions données en page 26.
	L'utilisation des accessoires réduit le débit d'air.	Vérifiez l'état des accessoires afin de détecter la présence de duvets, de peluches, de poils d'animaux familiers ou de tous autres débris.
L'aspirateur se met hors tension tout seul.	La fiche du cordon d'alimentation s'est détachée de la prise de courant lors de l'utilisation de l'aspirateur.	Réinsérez la fiche du cordon d'alimentation à fond dans la prise de courant. Évitez de tirer ou de traîner le cordon d'alimentation lorsque vous utilisez l'aspirateur.
	Le protecteur thermique est activé.	Mettez hors tension l'aspirateur, puis débranchez-le. Vérifiez l'état du conduit d'air et du sac à poussières. Laissez refroidir l'aspirateur pendant au moins 50 minutes. Branchez l'aspirateur, puis mettez-le sous tension.
	Le moteur est endommagé.	Veillez composer le numéro : 1-844-608-3080 (US) / 1-844-608-3081 (CA) pour obtenir de l'aide.
Le voyant d'état de la brosse à rouleau s'allume en rouge.	Présence de bourrage dans la zone de la brosse à rouleau.	Mettez hors tension l'aspirateur, puis débranchez-le. Éliminez toutes obstructions éventuelles présentes dans la brosse à rouleau. Voir la page 25.
	La brosse à rouleau est usée ou brisée.	Veillez composer le numéro : 1-844-608-3080 (US) / 1-844-608-3081 (CA) pour obtenir de l'aide.
Impossible d'installer le couvercle de l'enceinte à sac à poussières.	Le sac à poussières est manquant ou n'est pas installé en place.	Positionnez correctement le sac à poussières, puis enclenchez-le fermement en place. Suivez les instructions données en page 21-22.

Kenmore®/MD

Vacuum Cleaner Help Line

**Assistance téléphonique
pour les aspirateurs**

US: 1-844-608-3080

CA: 1-844-608-3081

8:00 am – 5:00 pm ET M-F

De 8 h à 17 h HE lun à ven

