



Register your
appliance and join
the Bosch
family of perks:
[bosch-home.com/us/
mybosch](https://bosch-home.com/us/mybosch)



Dual Fuel and Gas Slide-in Ranges

HDIP056U
HDI8056C

HDIP056C

HGI8056UC

HGIP056UC

HDI8056U

[en-us]	Installation Instructions	Dual Fuel and Gas Slide-in Ranges	2
[fr-ca]	Instructions d'installation	Cuisinières encastrables bi-énergie	20
[es-mx]	Instrucciones de instalación	Estufas eléctricas y de doble combustible para empotrar	39

Table of contents

1 IMPORTANT SAFETY INSTRUCTIONS.....	3
1.1 Safety definitions.....	4
1.2 General information.....	4
1.3 General safety instructions.....	4
1.4 Appliance handling safety	4
1.5 Installation location.....	5
1.6 Safety codes and standards.....	5
1.7 Electrical safety.....	5
1.8 Gas safety.....	6
1.9 Propane gas installation.....	6
1.10 Conversion to Liquified Petroleum gas.....	6
1.11 Ventilation recommendations	6
1.12 High altitude installation	7
1.13 State of California Proposition 65 Warnings	7
1.14 Transport	7
2 Before you begin.....	8
2.1 Parts included	8
2.2 Tools and parts needed	8
2.3 Power requirements and grounding	8
2.4 Gas requirements	8
3 Removing the packaging.....	8
4 Installation requirements	8
4.1 Appliance dimensions	8
5 Prior to installation	9
5.1 Installing the anti-tip bracket.....	9
5.2 Removing the oven door	9
6 Electrical connection	10
6.1 Electrical requirements.....	10
6.2 Electrical connection for gas models.....	11
6.3 Electrical connection for dual fuel models	11
7 Connecting the gas supply	14
7.1 Installing a metal flex gas line	14
7.2 Installing a rigid pipe connection	15
8 Installing the range into the cabinets.....	15
8.1 Adjusting the leveling legs.....	15
8.2 Sliding the range into the opening	15
8.3 Avoid obstructing air flow	16
8.4 Reinstalling the oven door.....	16
8.5 Removing the warming drawer from the drawer housing	17
8.6 Reinstalling the warming drawer to the drawer housing	17
9 Testing the operation.....	18
9.1 Testing the rangetop burners	18
9.2 Flame characteristics	18
10 Customer service.....	19
10.1 Model number (E-Nr.) and production number (FD)	19
10.2 Rating plate location.....	19



IMPORTANT SAFETY INSTRUCTIONS

READ AND SAVE THESE INSTRUCTIONS

Read all instructions carefully before use. These precautions will reduce the risk of electrical shock, fire and injury to persons. When using kitchen appliances, basic safety precautions must be followed including those in the following pages.

⚠ WARNING: If the information in these instructions is not followed exactly, a fire or explosion may result causing property damage, personal injury or death.

- Do not store or use gasoline or other flammable vapors and liquids in the vicinity of this or any other appliance.
- **WHAT TO DO IF YOU SMELL GAS**
 - Do not try to light any appliance.
 - Do not touch any electrical switch.
 - Do not use any phone in your building.
 - Immediately call your gas supplier from a neighbor's phone. Follow the gas supplier's instructions.
 - If you cannot reach your gas supplier, call the fire department.
- Installation and service must be performed by a qualified installer, service agency or the gas supplier.

⚠ WARNING:

Never Operate the Top Surface Cooking Section of this Appliance Unattended.

- Failure to follow this warning statement could result in fire, explosion, or burn hazard that could cause property damage, personal injury, or death.
- If a fire should occur, keep away from the appliance and immediately call your fire department.

**DO NOT ATTEMPT TO EXTINGUISH
AN OIL/GREASE FIRE WITH WATER.**



IMPORTANT SAFETY INSTRUCTIONS

READ AND SAVE THESE INSTRUCTIONS

1.1 Safety definitions

Here you can find explanations of the safety signal words used in this manual.

WARNING

This indicates that death or serious injuries may occur as a result of non-observance of this warning.

CAUTION

This indicates that minor or moderate injuries may occur as a result of non-observance of this warning.

NOTICE:

This indicates that damage to the appliance or property may occur as a result of non-compliance with this advisory.

Note: This alerts you to important information and/or tips.

1.2 General information

- Read this manual carefully.
- Keep the manual and the product information in a safe place for future reference or for the next owner.
- Do not connect the appliance if it has been damaged in transit.

1.3 General safety instructions

IMPORTANT: SAVE THESE INSTRUCTIONS FOR THE LOCAL ELECTRICAL INSPECTOR'S USE.

INSTALLER: LEAVE THESE INSTALLATION INSTRUCTIONS WITH THE UNIT FOR THE OWNER.

OWNER: PLEASE RETAIN THESE INSTRUCTIONS FOR FUTURE REFERENCE.

WARNING

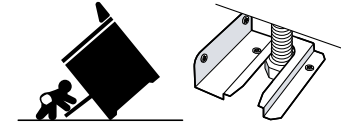
If the information in this manual is not followed exactly, fire or shock may result causing property damage or personal injury.

Do not repair, replace or remove any part of the appliance unless specifically recommended in the manuals. Improper installation, service or maintenance can cause injury or property damage.

- ▶ Refer to this manual for guidance.
- ▶ All other servicing should be done by an authorized service provider.

WARNING

TIP OVER HAZARD! A child or adult can tip the range over and be killed.



- ▶ Verify that the anti-tip bracket is securely installed. Ensure the anti-tip bracket is engaged whenever the range is moved to a new location.
- ▶ Do not operate the range without the anti-tip bracket in place. Failure to follow the instructions in this manual can result in death or serious burns to children and adults.
- ▶ Check for proper installation and use of the anti-tip bracket. Carefully tip the range forward pulling from the back to ensure that the anti-tip bracket engages the range leg and prevents tip-over. The range should not move more than 1" (2.5 cm).
- ▶ It is the home owner's responsibility to ensure the anti-tip bracket is installed.

WARNING

Disconnect electrical and gas supply before servicing. Never modify or alter the construction of the appliance.

- ▶ For example, do not remove leveling legs, panels, wire covers or anti-tip brackets/screws.

WARNING

Remove all tape and packaging before using the appliance.

- ▶ Dispose of packaging in an environmentally responsible manner.
- ▶ Never allow children to play with packaging material.

1.4 Appliance handling safety

WARNING



Unit is heavy and requires at least two people or proper equipment to move.

- ▶ Do not lift appliance by door handle.
- ▶ Remove the door for easier handling and installation. See instructions in this manual.



IMPORTANT SAFETY INSTRUCTIONS

READ AND SAVE THESE INSTRUCTIONS

WARNING



Hidden surfaces may have sharp edges.

- ▶ Use caution when reaching behind or under appliance.
- ▶ Wear gloves to avoid cutting fingers on sharp edges during installation.

1.5 Installation location

To eliminate the risk of burns or fire by reaching over heated surface units, cabinet storage space located above the surface units should be avoided. If cabinet storage is to be provided, the risk can be reduced by installing a hood that projects horizontally a minimum of 5" (12.7 cm) beyond the bottom of the cabinet.

Verify that cabinets above the range are a maximum of 13" (330 mm) deep.

1.6 Safety codes and standards

This appliance complies with the latest version of one or more of the following standards:

- CAN/CSA C22.2 No. 61 - Household Cooking Ranges
- UL 858 - Household Electric Ranges
- ANSI Z21.1 / CSA 1.1 Household Cooking Gas Appliances
- Installation must conform with local codes or, in the absence of local codes, with the National Fuel Gas Code, ANSI Z223.1/NFPA 54 or, in Canada, the Natural Gas and Propane Installation Code, CSA B149.1.

It is the responsibility of the owner and the installer to determine if additional requirements and/or standards apply to specific installations.

1.7 Electrical safety

- **Installer** - show the owner the location of the circuit breaker or fuse. Mark it for easy reference.
- If required by the National Electrical Code (or Canadian Electrical Code), this appliance must be installed on a separate branch circuit.
- Local codes vary. The installer is responsible for ensuring that the installation, connections, and grounding comply with all applicable codes. The manufacturer is not responsible for any issues associated with the improper installation of this product.

- Be sure your appliance is properly installed and grounded by a qualified technician in accordance with the National Electrical Code ANSI/NFPA 70 latest edition and local electrical code requirements.
- Only a power supply cord kit rated for this appliance and marked "For Use With Ranges" shall be used.
- Refer to the rating plate for more information.
→ "Rating plate location", Page 19

WARNING

Before you turn on power supply, make sure all controls are in the OFF position.

For appliances equipped with a cord and plug, do not cut or remove the ground prong.

- ▶ It must be plugged into a matching grounding type receptacle to avoid electrical shock.
- ▶ If there is any doubt as to whether the wall receptacle is properly grounded, the customer should have it checked by a qualified electrician.



ELECTRIC SHOCK HAZARD

- ▶ Disconnect power before installing or servicing. Before turning power ON, be sure that all controls are in the OFF position.
- ▶ DO NOT remove connections.
- ▶ DO NOT use an extension cord.
- ▶ Improper grounding can result in a risk of electric shock.
- ▶ Failure to follow these instructions can result in death, fire, or electrical shock.

Before you plug in an electrical cord, be sure all controls are in the OFF position.

Before installing, turn power OFF at the service panel.

- ▶ Lock service panel to prevent power from being turned ON accidentally.

GROUNDING INSTRUCTIONS

- ▶ This appliance must be grounded.
- ▶ Grounding reduces the risk of electric shock by providing a safe pathway for electric current in the event of a short circuit.
- ▶ Be sure your appliance is properly installed and grounded by a qualified technician.
- ▶ Installation, electrical connections and grounding must comply with all applicable codes.



IMPORTANT SAFETY INSTRUCTIONS

READ AND SAVE THESE INSTRUCTIONS

1.8 Gas safety

Requirements for gas supply:

- Install a gas shutoff valve near the appliance. It must be easily accessible in an emergency.
- Leak testing must be conducted by the installer according to the instructions in this manual.
- The appliance and its individual shutoff valve must be disconnected from the gas supply piping system during any pressure testing at pressures in excess of ½ psi (3.5 kPa).
- A metal flex line or fixed metal pipe shall be used to connect gas to the appliance. If a metal gas line cannot be used, consult your local certified electrician or local electric codes for proper grounding.
- The installation of appliances designed for manufactured (mobile) home installation must conform with the Manufactured Home Construction and Safety Standard, Title 24 CFR, Part 3280 [formerly the Federal Standard for Mobile Home Construction and Safety, Title 24, HUD {Part 280}] or with local codes where applicable.
- The installation of appliances designed for manufactured (mobile) home installation must conform with the Manufactured Home Construction and Safety Standard, Title 24 CFR, Part 3280 [formerly the Federal Standard for Mobile Home Construction and Safety, Title 24, HUD {Part 280}] or with local codes where applicable.

IMPORTANT SAFETY NOTICE: Burning gas cooking fuel generates some by-products which are on the list of substances which are known by the State of California to cause cancer or reproductive harm. To minimize exposure to these substances, always operate this unit according to the instructions contained in this booklet and provide good ventilation.

1.9 Propane gas installation

- The propane gas tank must be equipped with its own high pressure regulator. In addition, the regulator supplied with this unit must also be used.
- The appliance is shipped from the factory for use with natural gas. It must be converted for use with propane. A qualified technician or certified installer must do the conversion.
- For use with propane the appliance must be converted per the LP conversion instructions.

For Massachusetts installations

- Installation must be performed by a qualified or licensed contractor, plumber or gas fitter qualified or licensed by the state, province or region where this appliance is being installed.
- Shut-off valve must be a “T” handle gas cock.
- Flexible gas connector must not be longer than 36 inches.

Installer - show the owner where the gas shut-off valve is located.

1.10 Conversion to Liquefied Petroleum gas

WARNING

Personal injury or death from electrical shock may occur, if the range is not installed by a qualified installer or electrician. Any additions, changes, or conversions required in order for this appliance to satisfactorily meet the application needs must be made by a qualified technician. Your gas range model is designed to allow for LP conversion by a qualified service technician.

- ▶ Before installing the kit, be sure to follow the LP Installation Instructions carefully.

1.11 Ventilation recommendations

We strongly recommend the installation of a ventilation hood above this appliance.

The hood must be installed according to instructions furnished with the hood.

WARNING

The appliance should not be installed with a ventilation system that blows air downward toward the burners. This type of ventilation system may cause ignition and combustion problems with the gas cooking appliance resulting in personal injury or unintended operation.



IMPORTANT SAFETY INSTRUCTIONS

READ AND SAVE THESE INSTRUCTIONS

1.12 High altitude installation

Contact Customer Service for use at altitudes above 5,000 ft (1524 m) elevation above sea level.

1.13 State of California Proposition 65 Warnings

This product may contain a chemical known to the State of California, which can cause cancer or reproductive harm. Therefore, the packaging of your product may bear the following label as required by California:

STATE OF CALIFORNIA PROPOSITION 65 WARNING:



WARNING

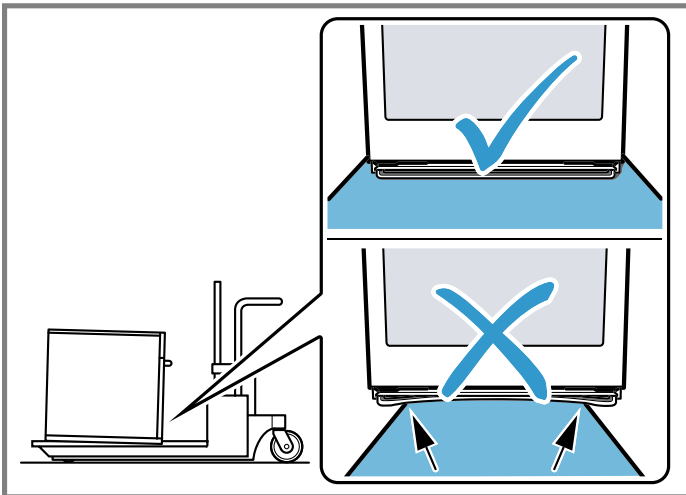
Cancer and Reproductive Harm - www.P65Warnings.ca.gov

1.14 Transport

Follow these precautions when transporting your appliance.

NOTICE:

To avoid damaging the appliance, use the transport method shown in the following picture.



2 Before you begin

Read these instructions before you begin to install your appliance.

2.1 Parts included

After unpacking all the parts, check for any damage in transit and for completeness of delivery.

- Anti-tip bracket
- 2x wood screws
- 2x anchorless concrete screws
- Terminal lugs; for use with hard-wired installations (not required for Canadian installations)

2.2 Tools and parts needed

Prepare these tools and accessories before you start to install your appliance.

Tools

- Pencil
- Measuring tape
- Level
- T-20 star bit screwdriver
- Cross head screwdriver
- Safety gloves
- Safety glasses
- 1/4" wrench
- Soapy water
- Cloth or cardboard to protect floor
- Drill and 3/16" masonry drill bit for concrete screws
- Pipe wrench
- Teflon tape - gas rated
- Gas leak test solution
- Gas supply line (1/2" NPT minimum)
- Gas shut-off valve

Parts

- Dual Fuel models only: 40 or 50 Amp power supply cord kit with strain relief; depending on local codes (Not necessary for Canadian installations, cord is preinstalled at factory)
- 2x screws and 2x anchors for anti-tip bracket
- Style will vary depending on mounting surface

Additional parts needed for hard-wired installations (Dual Fuel models only)

- Flexible conduit
- Torque wrench

2.3 Power requirements and grounding

The outlet must be properly grounded in accordance with all applicable codes.

2.4 Gas requirements

⚠ WARNING

Make sure the gas shut-off valve and all burner controls are in the **OFF** position before beginning the installation.

3 Removing the packaging

1. Cut the box straps.

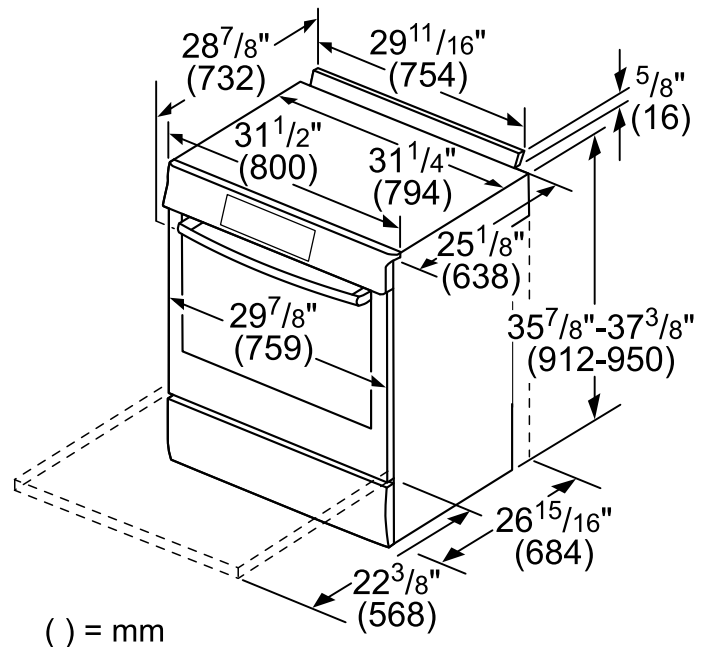
2. Open the top of the carton and remove the top wood frame.
3. Place the unit in front of the cabinet where it is to be installed. The unit should be in line with the cabinet cutout.
Leave the unit on the packaging base until it is ready to be lifted into the cabinet cutout.
4. Remove the carton by lifting it up and off the unit.
Alternatively you can carefully cut along the cut line on the back left side of the carton with a blade shorter than 3/4" (20 mm).
5. Remove all internal protective packaging, racks, accessories, and instruction manuals from the oven cavity.

4 Installation requirements

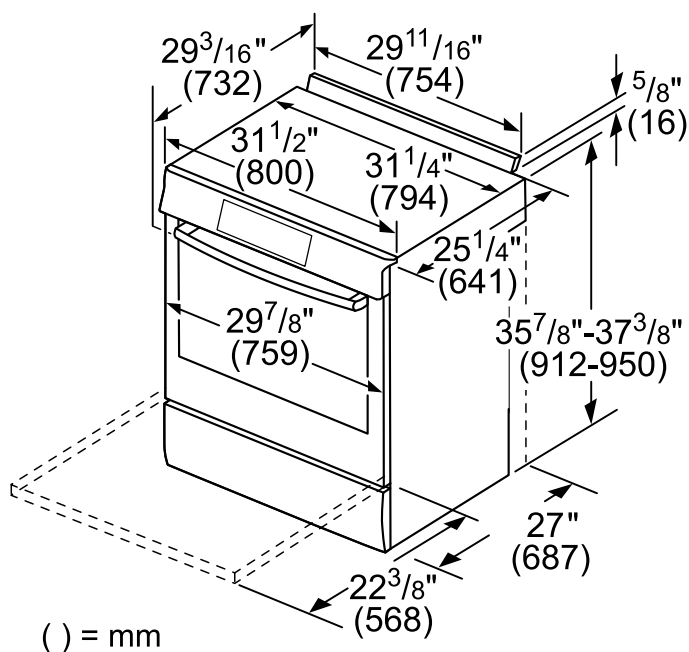
Read these instructions to prepare the installation space for your appliance.

4.1 Appliance dimensions

Dual Fuel slide-in ranges



Gas slide-in ranges



5 Prior to installation

Carry out these steps to prepare your appliance for installation.

5.1 Installing the anti-tip bracket

The range can tip forward, potentially causing injury and damage, if the anti-tip bracket is not properly installed. Do not operate the range without the anti-tip bracket in place.

⚠ WARNING

A child or adult can tip the range over and be killed.

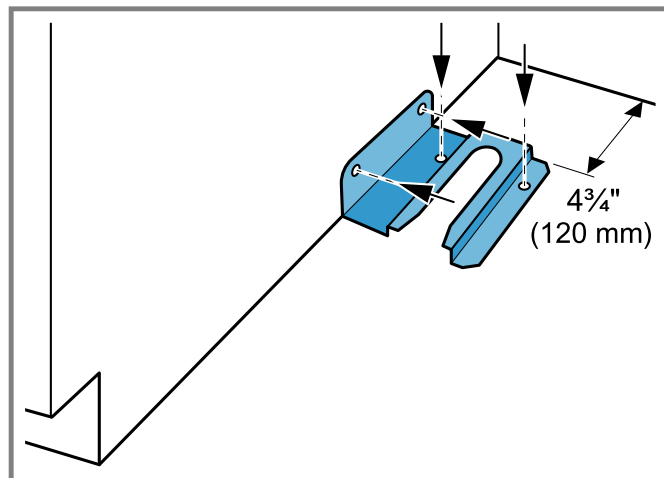
- ▶ Verify that the anti-tip bracket is securely installed. Ensure the anti-tip bracket is engaged when the range is moved.

⚠ WARNING

ELECTRICAL SHOCK HAZARD

- ▶ Use extreme caution when drilling holes into the wall or floor as there may be concealed electrical wires.
- ▶ Identify the electrical circuits that could be affected by the installation of the anti-tip bracket, then turn off power to these circuits.
- ▶ Failure to follow these instructions may result in electrical shock or other personal injury.

1. Position the bracket as shown in the back left corner of the installation opening, against the back wall and the left cabinet wall.



Note: The mounting surface must be secure. When mounting to the cabinet wall make sure the screws engage the frame of the cabinet. Do not use a block or spacer to fill a gap between the anti-tip bracket and the cabinet wall. Do not attempt to anchor into drywall.

2. Secure the bracket with two screws to the floor or to the base of the cabinet wall. Depending on the floor or cabinet material, use wood or anchorless concrete screws (included). Concrete screws require the use of a 3/16" masonry bit.

5.2 Removing the oven door

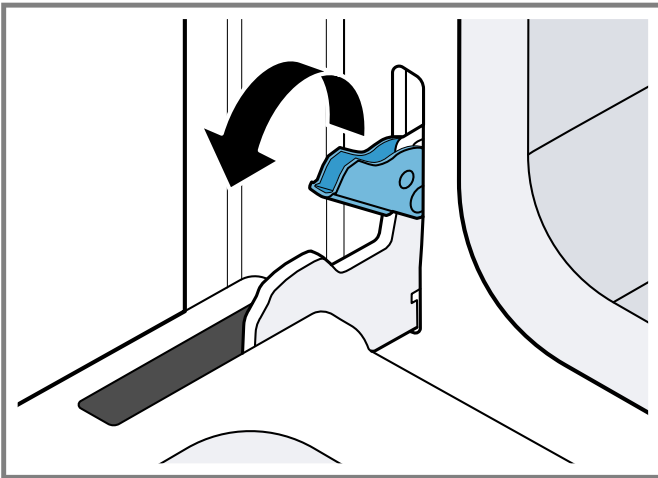
⚠ WARNING

Failure to follow these instructions when removing the oven door may lead to personal injury or product damage.

- ▶ Make sure oven is cool and power to the oven has been turned off before removing the door. Failure to do so could result in electrical shock or burns.
- ▶ The oven door is heavy and parts of it are fragile. Use both hands to remove the oven door.
- ▶ The door front is glass. Handle it carefully to avoid breakage.
- ▶ Grasp only the side of the oven door. Do not grasp the handle. It may swing in your hand and cause damage or injury. Failure to grasp the oven door firmly and properly could result in personal injury or product damage.
- ▶ To avoid injury from hinge bracket snapping closed, be sure both levers are securely in place before removing the door.
- ▶ Do not force the door open or closed. The hinge could be damaged and cause damage or injury.
- ▶ Do not lay the removed door on sharp or pointed objects as this could break the glass. Lay it on a flat, smooth surface, positioned so that the door cannot fall over.

1. Open the oven door to its fully open position.

2. Flip levers on hinges toward you.

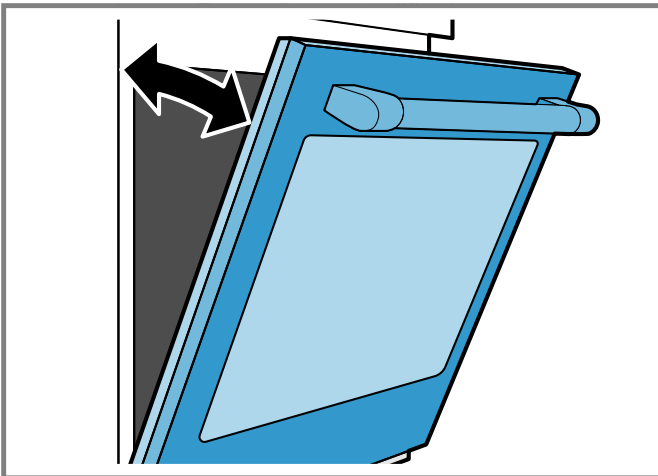


If necessary, use a tool, such as a screwdriver, to gently pry the upper part of the lever away from the housing. Take care to avoid scratching the housing.

3. Bring both door hinge levers to their fullest down position. The left and right door hinges differ slightly but operate in the same manner.

4. **⚠ CAUTION** Follow the instructions below to prevent the latch from slamming shut and pinching or cutting your hand.

Close the oven door until it catches on the hinge stop levers, locking the hinges at the proper angle for door removal.



✓ The door will be open about 7" (18 cm) at the top.

6.1 Electrical requirements

Make sure your electrical installation supports the following requirements.

Gas models

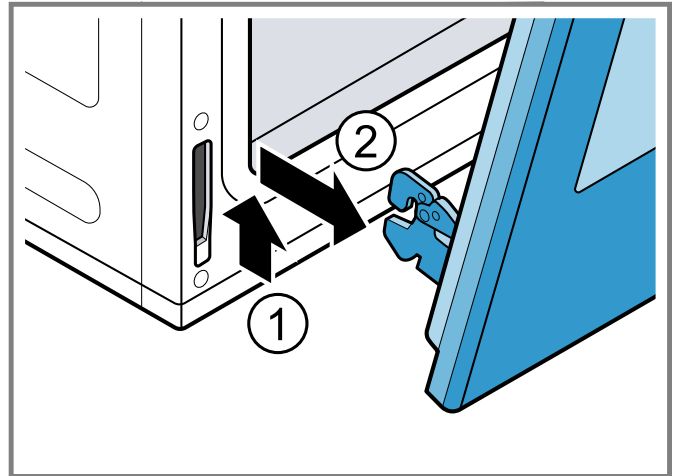
120 V, 15 A minimum, 60 Hz is required. The 120 V power cord is factory-installed.

Dual fuel models

This appliance must be supplied with the proper voltage and frequency and connected to an individual, properly grounded branch circuit, protected by a circuit breaker or fuse having amperage as specified on the rating plate. See information on rating plate. → Page 19

5. **⚠ CAUTION** The door is heavy.
 ▶ Do not grip the door by the handle.
 ▶ Use both hands to firmly grip it by the sides.

Maintaining the door angle, lift the door straight up approximately 3/4" (2 cm) to unhook the hinges from the slots and then pull it out towards you until the hinges are clear of the oven housing.



6. Place the door in a convenient and stable location. Do not lay the door on its handle. This could cause dents or scratches.

6 Electrical connection

Read these instructions to safely connect your appliance to the electrical supply.

⚠ WARNING

Do not use an extension cord. If the power supply cord is too short, have a qualified electrician install an outlet near the appliance.

This product must be properly grounded.

Check with your local utilities for electrical codes which apply in your area. Failure to wire your appliance according to governing codes could result in a hazardous condition. If there are no local codes, your range must be wired and fused to meet the requirements of the National Electrical Code, ANSI/NFPA No. 70—Latest Edition.

The range requires a minimum of a three-wire 120/240 V or 120/208 V, 25 or 30 A, 60 Hz AC circuit. Check local codes for proper amperage ratings. A four-wire connection is preferred. Most local building regulations and codes require that electrical wiring be done by licensed electricians. Be sure to install your range according to the electric codes in your region.

Electrical kW rating

Ranges are dual rated for use on either 120/240 VAC or 120/208 VAC. Check the rating plate for the kW rating. Reference the kW rating in the table below to determine amperage requirements.

Volts A/C	Hz	Rating kW	Circuit breaker Varies by location. Check local codes
120/240	60	6.4	30 A
120/208	60	4.8	25 A

6.2 Electrical connection for gas models

Follow these instructions if you have a gas slide-in range with a gas cooktop and a gas oven. The gas slide-in range has a 120 V power cord and plugs into a standard 120 V wall outlet. The 120 V power cord is factory-installed on the gas slide-in range.

6.3 Electrical connection for dual fuel models

Follow these instructions if you have a dual fuel range with a gas cooktop and an electric oven.

⚠ WARNING

To prevent electrical shock, the grounding prong on the range cord should not be cut or removed under any circumstances.

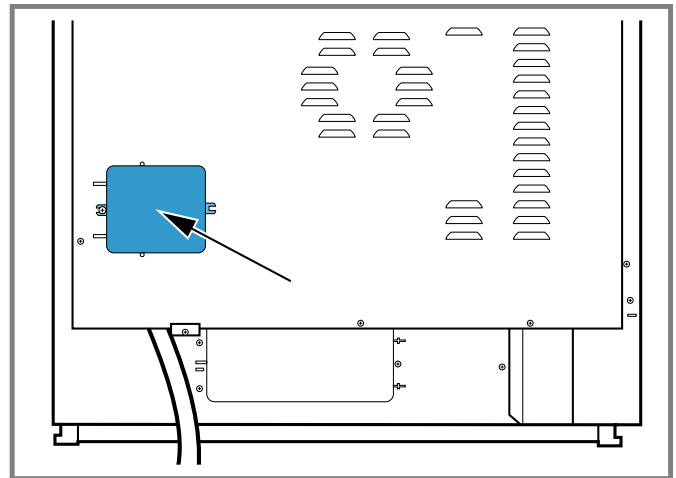
- ▶ It must be plugged into a matching grounding type receptacle and connected to a correctly polarized 240-Volt circuit.
- ▶ If there is any doubt as to whether the wall receptacle is properly grounded, have it checked by a qualified electrician.
- The range may be connected using an electric range cord, or using a flexible conduit electrical connection.
- Use only cord kits rated 125/250 volts, 40 amperes (minimum), and labeled "For Use with Ranges".
- It is recommended that only qualified persons add a power cord or make electrical connections to this appliance.

Note: In Canadian models, the range is shipped from the factory with the range cord already installed. Continue to install the range into the cabinets.

Routing the electrical cord**⚠ WARNING**

The strain relief must be properly installed. Strain reliefs vary. Carefully read and follow the instructions included with your strain relief.

1. Remove the cover in the lower, left corner of the range back panel.



2. Below the terminal block, remove the knockout that fits the strain relief that comes with your range cord.
3. Feed the range cord through the hole and the strain relief up to the terminal block.
4. Attach the strain relief per instructions included with the strain relief.

Note: The knockout panel below the terminal block can be removed from the range to install the strain relief. Remove the panel from range, install the strain relief in the panel and reattach. DO NOT remove the entire range back panel.

Preparation for power connection**⚠ WARNING**

Risk of Electric Shock or Fire. Grounding through the neutral conductor is prohibited for new branch-circuit installations (1996 NEC), mobile homes, and recreational vehicles, or in an area where local codes prohibit grounding through the neutral conductor.

Where grounding through the neutral conductor is prohibited:

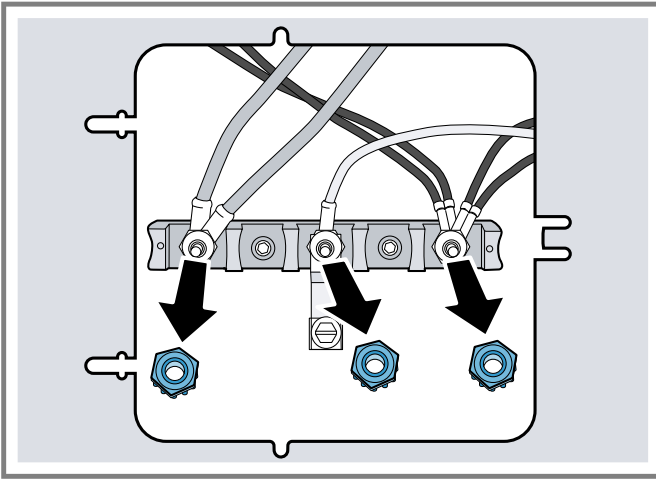
- Disconnect the link from the neutral.
- Use grounding terminal or lead to ground unit.
- Connect neutral terminal to lead branch circuit neutral in the usual manner. When the appliance is to be connected by means of a cord kit, use a 4-conductor cord for this purpose.

Installing a four-wire connection

Recommended method.

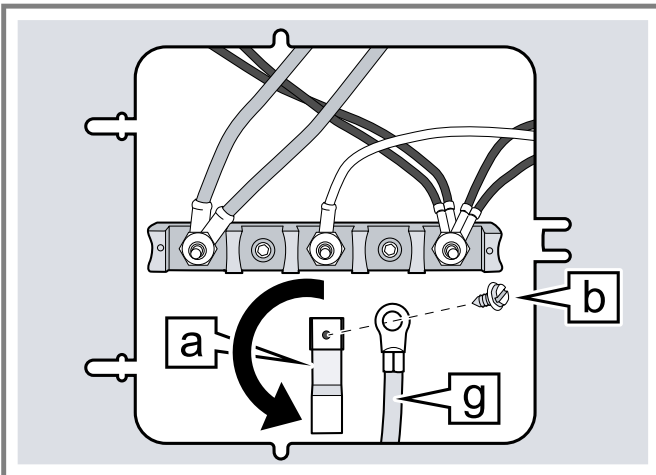
1. Disconnect the electrical power at the breaker box.
2. Remove the terminal block cover to expose the terminal block.

- Remove the top nut (has an attached locking washer) from each post.

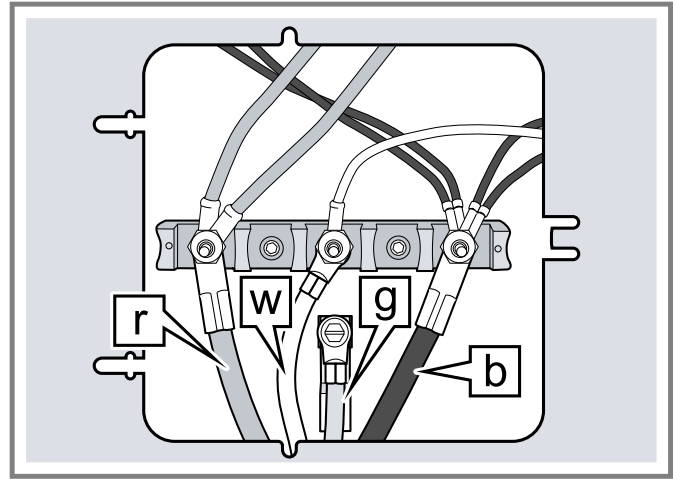


Note: DO NOT remove the second nut/washer on each post; these must stay in place to anchor the internal wiring attached to the terminal block.

- Remove the green grounding screw **b** from the lower end of the grounding strap.
- Remove the grounding strap from the center post of the terminal block.
- Rotate the grounding strip **a** so that the wide end is up and align the hole with the grounding hole below the terminal block.
- Use the green grounding screw **b** to attach the green wire **g** on top of the grounding strap.
- Tighten the grounding screw firmly, but do not over-tighten.



- Attach the red wire to the left terminal using one of the nut/washers removed previously.



r	Red
w	White
g	Green
b	Black

- Attach the white wire to the center terminal using one of the nut/washer parts.
- Attach the black wire to the right junction block terminal using one of the nut/washer parts.
- Tighten all connections securely and replace terminal block cover.
- Properly secure strain relief.
→ "Routing the electrical cord", Page 11

Note: DO NOT plug in the range at this time.

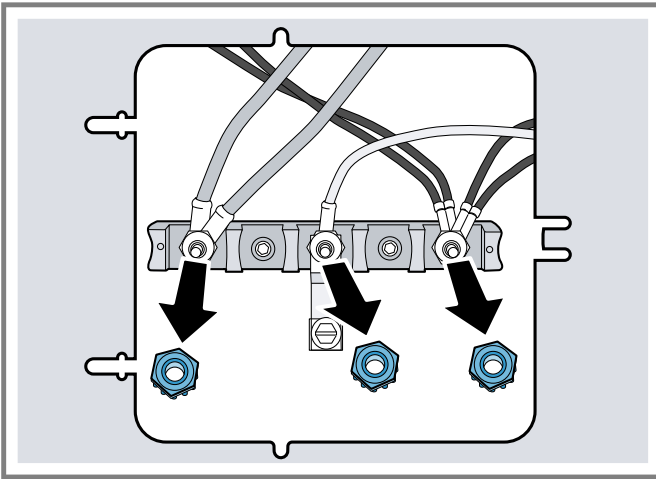
Installing a three-wire connection

Alternate method

Note: The four-wire connection (above) is preferred, but where local codes and ordinances permit grounding through the neutral and where conversion to four-wire is impractical, the unit may be connected to the power supply via a three-wire connection.

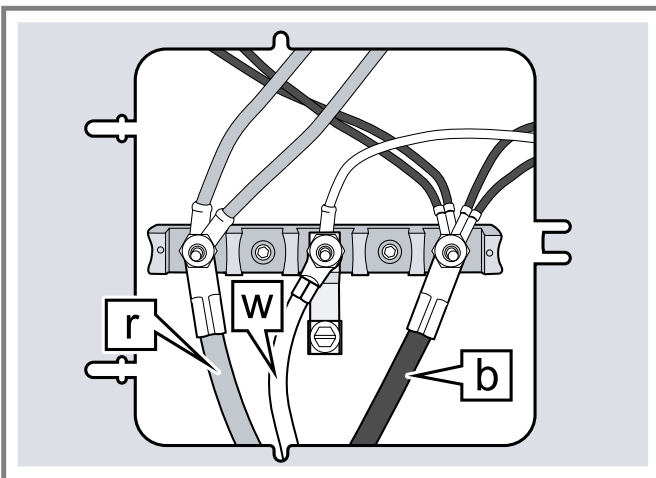
- Disconnect electrical power at breaker box.
- Remove the terminal block cover to expose the terminal block.

3. Remove the top nut (has an attached locking washer) from each terminal post.



Note: DO NOT remove the second nut/washer on each post. These must stay in place to anchor the internal wiring attached to the terminal block.

4. Attach the white wire to the center terminal using one of the nut/washer parts.
5. Attach the red wire to the left terminal using one of the nut/washer parts removed previously.
6. Attach the black wire to the right terminal using one of the nut/washer parts.



r	Red
w	White
b	Black

7. Tighten all connections securely and replace terminal block cover.
8. Properly secure strain relief.
→ "Routing the electrical cord", Page 11

Note: DO NOT plug in the range at this time.

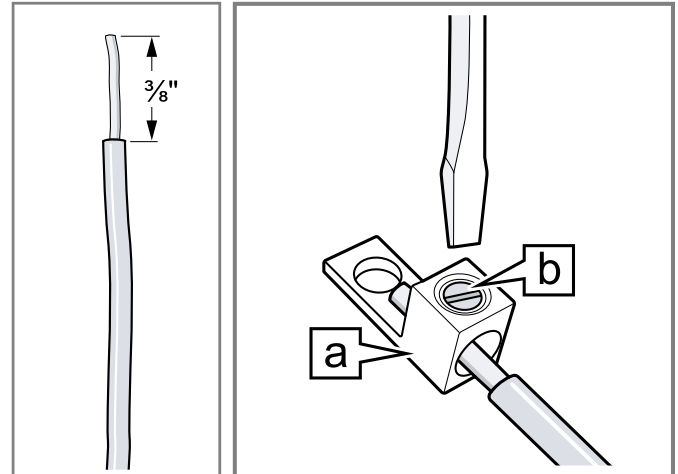
Connecting a flexible conduit connection

The range can also be connected via flexible conduit. If using this method, always use the lugs supplied. In each instance where a wire is to be attached to a terminal lug, perform the following steps.

Note: In Canada, the range is shipped from the factory with the range cord already installed. Continue to installing the range into the cabinets.

For installations other than those in Canada, connect the flexible conduit at the terminal block.

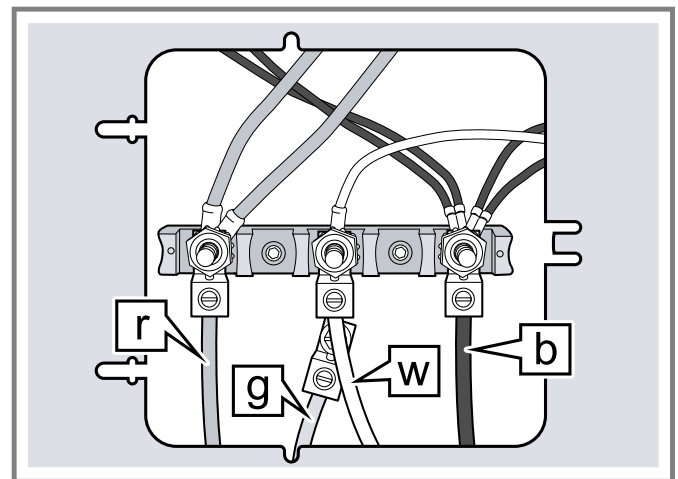
1. Strip 3/8" (9.5 mm) of insulation from the end of the wire.
2. Insert the stripped end of the wire into the terminal lug **a**. Then tighten each clamping screw **b** with the appropriate torque. See table.



Wire gauge	Torque (in/lbs)	Torque (Nm)
6	35	3.95
8	25	2.82

Installing a four-wire flexible conduit connection

1. Follow the instructions for installing a four-wire connection. → Page 11



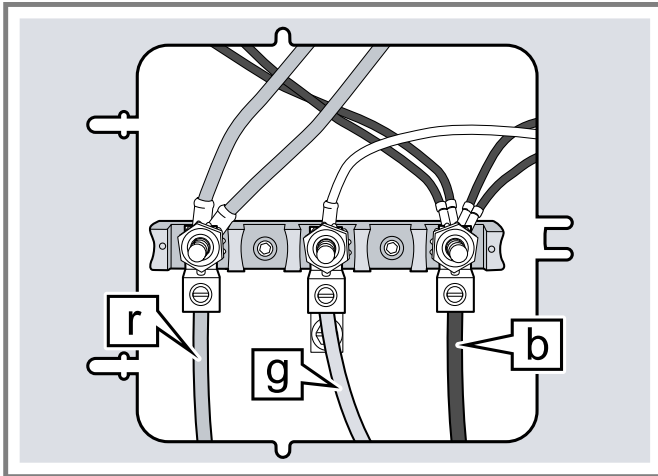
r	Red
w	White
g	Green
b	Black

2. Properly secure the flexible conduit at knockout on angle and at the supply side junction box. The wiring is now complete.

Note: DO NOT connect electrical power to the range at this time.

Installing a three-wire flexible conduit connection

1. Follow the instructions for installing a three-wire connection. → Page 12



r	Red
g	Green
b	Black

2. Properly secure the flexible conduit at knockout on angle and at the supply side junction box. The wiring is now complete.

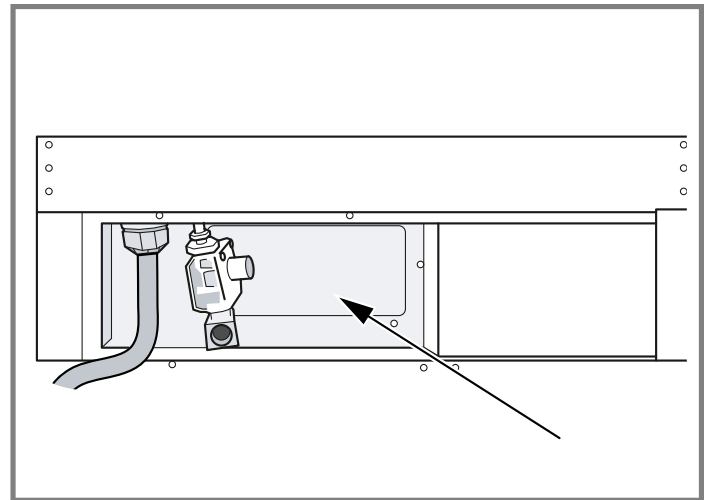
Note: DO NOT connect electrical power to the range at this time.

7 Connecting the gas supply

Ensure the following requirements are met before you try to connect the appliance to the gas supply:

- The appliance is shipped from the factory for use with natural gas. If you want to use propane gas it must be converted. A qualified technician or installer must do the conversion.
- Before connecting the appliance, please check whether the local connection conditions such as gas type and gas pressure match the appliance settings.
- Make sure the gas supply is turned off at the manual shutoff valve before disconnecting an old range and leave it off until the new hook-up has been completed. Do not forget to relight the pilot on other gas appliances when you turn the gas supply back on.
- A manual gas shut-off valve must be installed external to the appliance, in a location accessible from the front, for the purpose of shutting off the gas supply. The supply line must not interfere with the back of the unit.
- The range can be installed using a rigid pipe or a CSA International-certified flexible metal flex gas line.
- Apply pipe joint compound or Teflon tape appropriate for use with LP gas and Natural gas around all male pipe threads to prevent leaks.

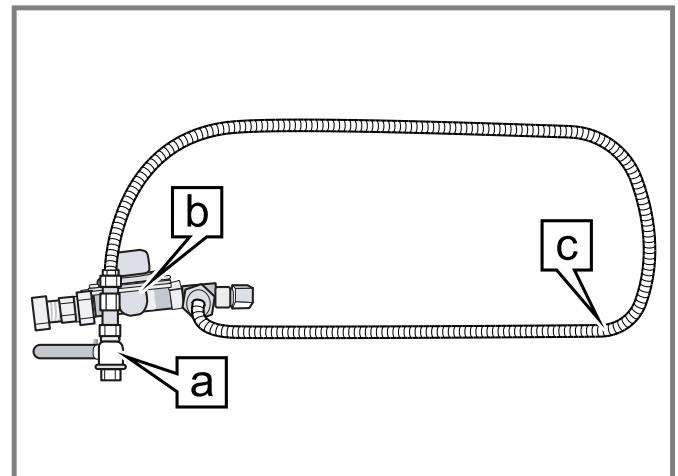
The gas connection is located below the back panel of the range. It is accessible through the drawer access panel or from the back of the range. To reach the access panel, remove the warming drawer. → Page 17



7.1 Installing a metal flex gas line

Notes

- The metal flex gas line must not come into contact with moving parts of the fitted unit (e.g. drawers) or be laid in areas where it could become trapped or damaged.
 - The metal flex gas line must not come into contact with a cooktop, oven, dishwasher, refrigerator, washing machine, hot water pipe, radiator or any other appliance installed in the vicinity of the range.
 - The metal flex gas line must not be subject to rubbing, vibrations, kinking or any other kind of deformation. It should be checked along its entire length with the range in the installed position.
 - Always install a new metal flex gas line.
1. Install male 1/2" flare adapter at the 1/2" NPT internal thread of the range inlet. Use a backup wrench on the elbow fitting to avoid damage.
 2. Install male 1/2" or 3/4" flare union adapter on the internal thread of the manual shut-off valve.
 3. Connect the flexible metal appliance connector.



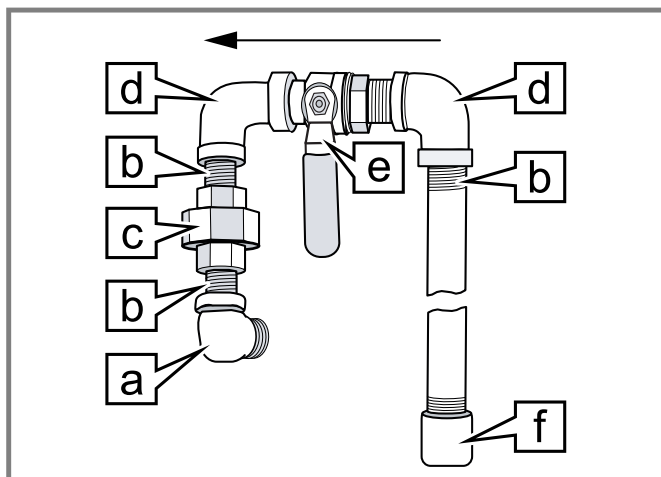
a	Gas shut-off valve
b	Regulator
c	Metal flex gas line

4. Connect the metal flex gas line to the range at the union. Access the connection through the access panel behind the drawer.
5. Check for gas leaks before proceeding with the installation.

7.2 Installing a rigid pipe connection

The configuration of the rigid pipe connection depends on the location of the gas pipe stub.

1. Configure the pipe connection according to the requirements at the installation location.



a	Elbow, connect to regulator here
b	Pipe nipple
c	Union
d	Elbow
e	Gas shut-off valve
f	½" to ¾" gas pipe

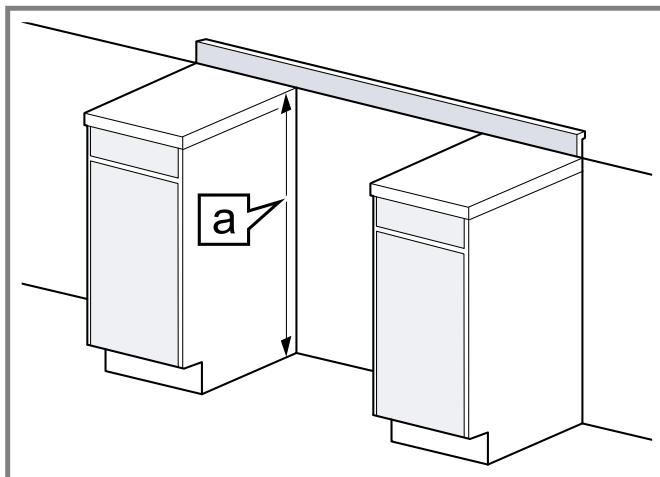
The arrow indicates the direction of gas flow to the range.

2. Connect the gas pipe to the range at the union. Access the connection through the access panel behind the drawer.
3. Check for gas leaks before proceeding with the installation.

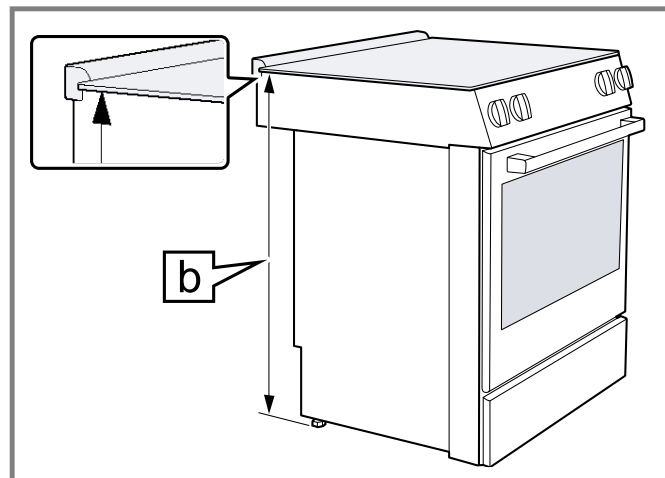
8 Installing the range into the cabinets

8.1 Adjusting the leveling legs

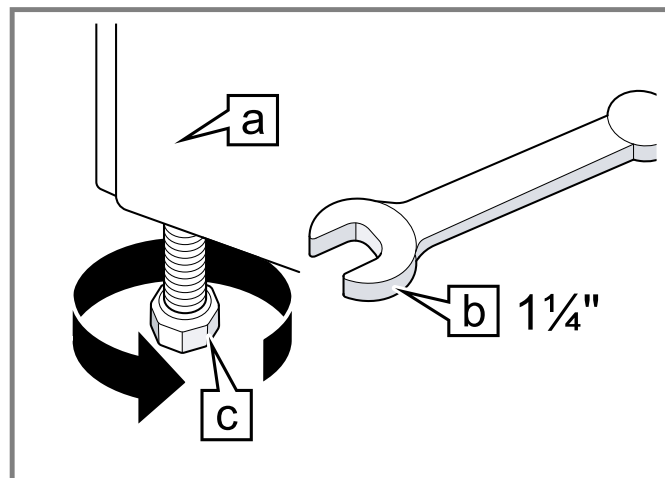
1. Line up the range in front of opening.
2. Measure the height **a** at the back left corner of the opening from the top of the countertop to the floor.



3. Measure the height **b** at the back left corner of the range from the underside of the cooktop to the bottom of the range.



4. Adjust the leveling legs until the dimensions **a** and **b** are the same.
5. Repeat in the back right corner.
6. Use a 1¼" wrench to adjust the front leveling legs so that the height from the underside of the cooktop to the floor matches the height of the corresponding countertop surface.



a	Warming drawer
b	Wrench
c	Adjustable leveling legs

8.2 Sliding the range into the opening

⚠ CAUTION

Unit is heavy and requires at least two persons or proper equipment to move.

It is recommended to wear protective clothing during the lifting process.

- ▶ Wear gloves and long sleeves to protect hands and forearms from abrasion and potential scratches.
- ▶ Take off watches and jewelry.
- ▶ Wear work shoes for foot protection.

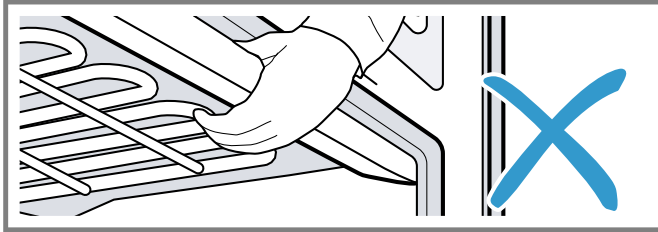
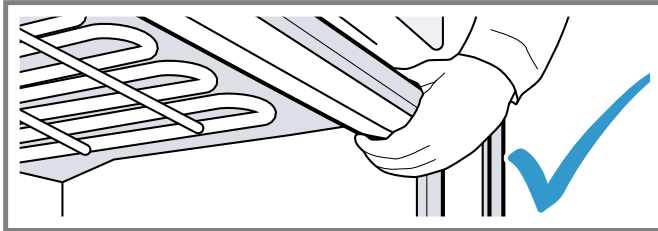
NOTICE:

To avoid risk of damage to the range oven door, do not lift, push, or pull the range by holding the door handle.

Requirement: You have removed the oven door.

1. **⚠ CAUTION DO NOT** attempt to lift the unit by holding the oven's upper heating element.

Lift the range off of the packaging base. Reach inside the top of the oven cavity to locate a ridged area near the front of the oven.



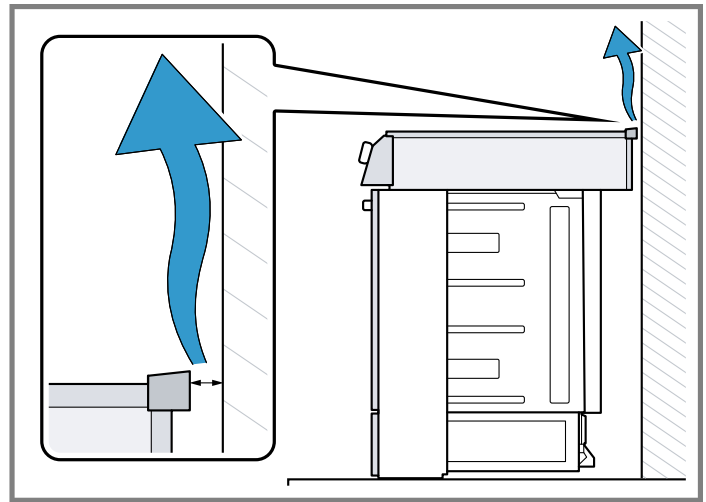
2. Make sure that the circuit breaker is off and then plug the range cord into the electrical outlet.
3. Dampen the countertop and floor at the bottom of the opening with soapy water.
4. Slide the range into the opening. Be careful not to damage countertops, floors, or warming drawer front. Do not apply pressure to the cooktop when sliding the range into position. Be careful not to crimp the flexible electrical connector.
5. Install the oven door. → *Page 16*
6. Check proper installation.
 - The cooktop should rest lightly on the countertop.
 - There should not be any gap between the countertop and the cooktop; however, the weight of the range must not rest on the countertop.
 - Look under the range to verify that both back legs are resting solidly on the floor.
 - Also verify that the left range leg is retained by the anti-tip bracket.

8.3 Avoid obstructing air flow

⚠ WARNING

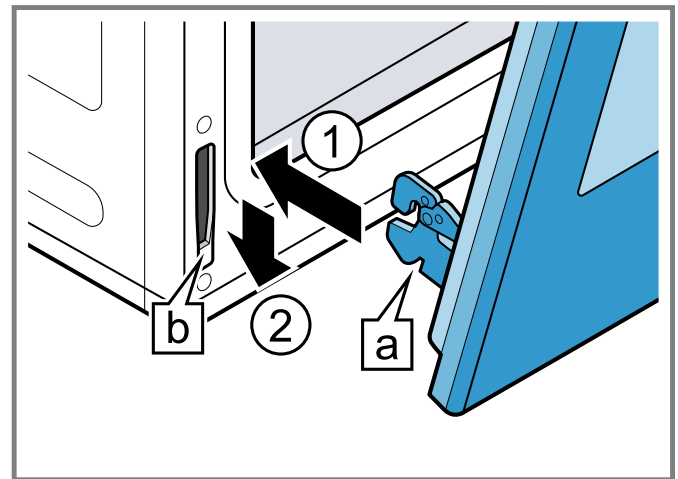
To avoid risk of fire, do not obstruct the vent space at the rear of the range top. Do not caulk or otherwise seal this opening.

Proper vent spacing for the dual fuel or gas ranges is automatically achieved when the rear of the range is against the wall. If the resulting gap is obstructed, even temporarily, the range and/or the surrounding cabinetry could overheat, creating a fire hazard.



8.4 Reinstalling the oven door

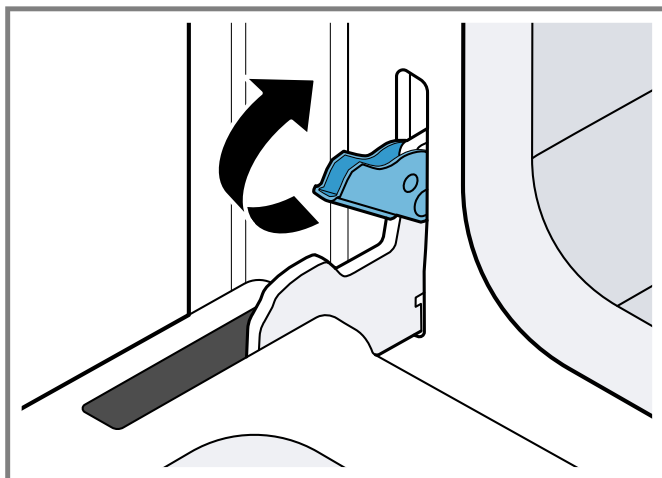
1. Hold the door firmly in both hands. Grip it on either side, not by the handle.
2. Tilt the door back slightly towards you at an angle that would open the door about 7" (18 cm) at the top.
3. Slide the hinges **a** into the slots **b** as far as they will go **①** and lower the door straight down **②**.



The angle of the door may need to be adjusted slightly to allow the hinges to engage properly and the door to be lowered into place. The door should lower about 3/4" (2 cm) and stop. If it does not, the hinges have not engaged properly and the door could fall if it is released.

4. Once both hinges are fully engaged, gently open the door until it is fully open.

5. Push the levers on both the hinges up and forward until they are locked into the slot and flush with the front of the oven body.



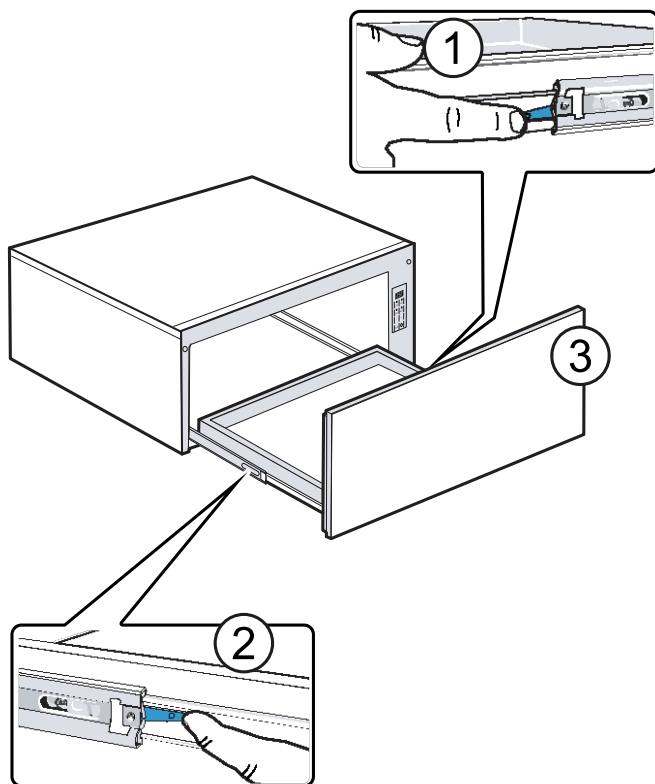
6. Close and open the door slowly to be sure it is correctly and securely in place.

8.5 Removing the warming drawer from the drawer housing

⚠ WARNING

To prevent burns, do not remove the drawer while hot.
 ▶ Be sure the drawer is empty before removing.

1. The warming drawer has a push-to-open (PTO) mechanism. Press on the center of the warming drawer front panel to open it.
2. Pull out the warming drawer to fully open position.



3. Press down the right drawer release lever ①.
4. Lift up the left drawer release lever ②.
5. Firmly pull the drawer straight out ③.

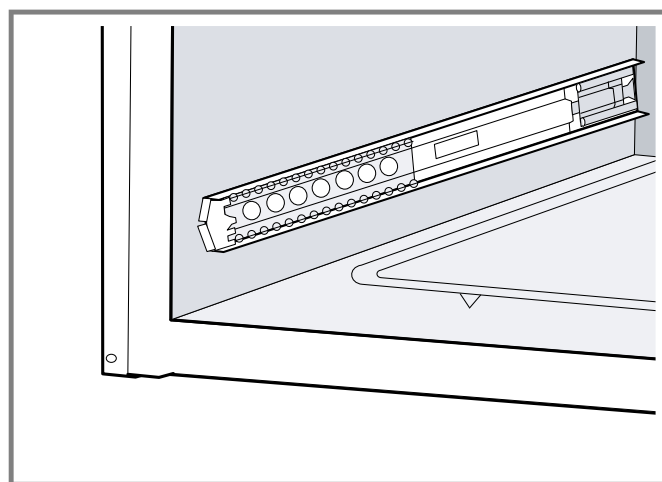
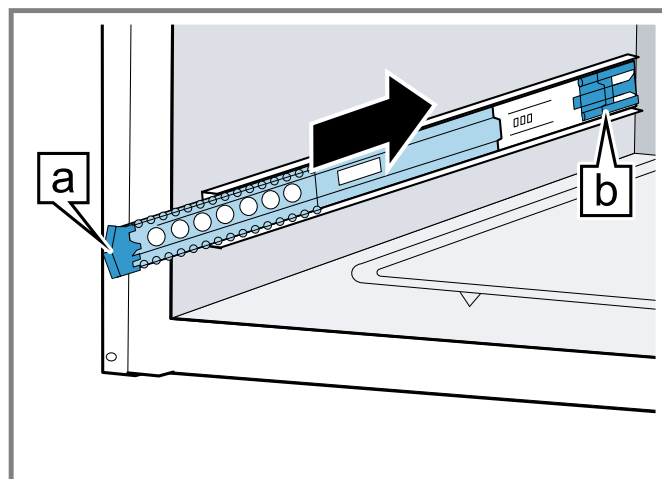
6. Retract the cabinet rails while the drawer is removed.
7. Grasp both sides of the drawer and carefully remove the drawer housing, pulling straight and level.

This step may require light to moderate force to completely remove drawer.

8.6 Reinstalling the warming drawer to the drawer housing

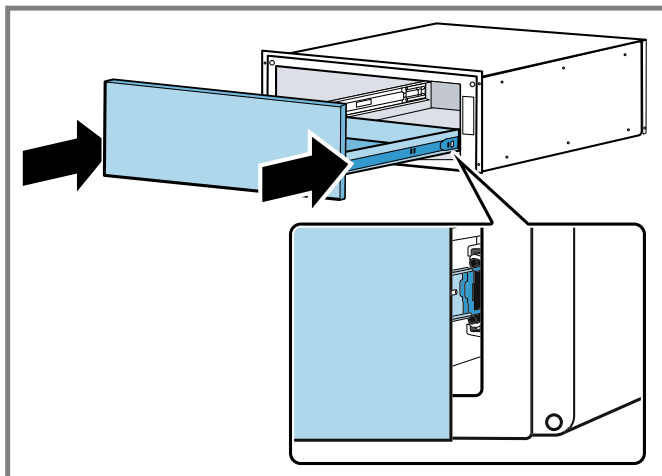
Requirement: The slides mounted to each side of the housing wall have two moving components, an inner rail and a ball bearing carrier which need to be in the proper orientation for accurate installation and alignment. There is also a visible locking mechanism located at the rear of each slide.

1. Slide the inner rail to the locked position by pushing it toward the rear of the housing until it locks in place.

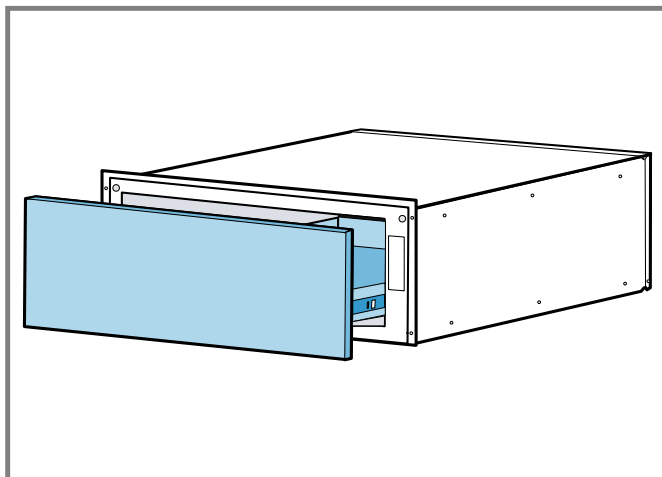


Note: A moderate force pushing on the black plastic ball carrier locking mechanism is required to activate the lock. When the drawer is installed, the locking mechanism prevents the drawer from springing back to the open position.

2. Position the warming drawer in front of the drawer housing. Align the rail with the plastic rail tip to the ball carrier slide.



3. Keep the drawer assembly level and square to the housing and gently insert the drawer to the housing, until a slight increase in resistance is felt at the approximate position shown below.



Notes

- A slight side-to-side wiggle motion may be required to properly get the ball bearings to accurately align.
 - If more than a moderate force is required to insert the drawer, remove the drawer and repeat the installation procedure.
4. Push the drawer in fully. An audible “click” should be heard when the drawer is properly closed causing the drawer to lock in the closed position.

9 Testing the operation

Check if your unit is working properly after you have completed the installation steps.

1. Turn on power at the breaker.
2. To test the oven select the **Bake** mode. See the User Manual for detailed operating instructions.
3. Verify that the oven light comes on and the oven begins to preheat.
4. To test the door lock set the **Self Clean** mode. Confirm that the door locks when the lock icon appears in the display.

9.1 Testing the rangetop burners

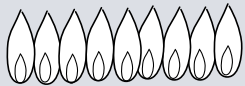
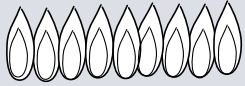
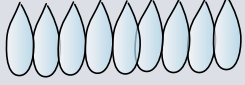
Each burner must be tested for proper lighting and proper flame characteristics on the lowest and highest power level.

1. Test all rangetop burners for proper ignition.
 - Push down the knob and turn it counter-clockwise to the ignition symbol ⚡ .
 - Verify that the igniter/spark module clicks.
 - Once the air has been purged from the supply lines, verify that the burner lights within four (4) seconds. When the burner lights, turn the knob back to the off position.
 - If any of the burners do not ignite, do not continue testing. Call Customer Service.
2. Test all rangetop burners for flame characteristics on the lowest setting.
 - Push down the knob and turn it counter-clockwise to the ignition symbol ⚡ . Keep it pushed down until the burner ignites.
 - Turn the knob quickly to the lowest setting.
 - Verify that the flame is a minimum height of approximately $\frac{1}{4}$ " (6 mm).
 - Verify that the flame is steady. The flame should not go out, lift or blow off of the burner. It should carry over, or surround the entire burner.
 - Verify that the flame is the right color.
 - "Flame characteristics", Page 18
 - If the flame goes out, does not carry over properly or is too large, contact Customer Service.
3. Test all rangetop burners for flame characteristics on the highest setting.
 - Push down the knob and turn it counter-clockwise to the ignition symbol ⚡ . Keep it pushed down until the burner ignites.
 - Turn the knob to the highest setting.
 - Verify that the flame is steady. The flame should not go out, lift or blow off of the burner. It should carry over, or surround the entire burner.
 - Verify that the flame is the right color.
 - "Flame characteristics", Page 18
 - If the flame burns yellow or does not carry over properly, contact Customer Service.

9.2 Flame characteristics

The color of the flame tells you if the gas supply is properly adjusted.

Note: Allow the appliance to operate for 4 to 5 minutes before evaluating the flame. Some yellow streaking is normal during the initial startup.

Flame	Image	Measure
Completely or mostly yellow		Verify that the regulator is set for the correct fuel. Retest after adjustment.
Yellow tips on outer cone		Normal for LP gas
Soft blue		Normal for natural gas

10 Customer service

We will work to find an appropriate solution for you thereby avoiding unnecessary visits by a service provider.

With any warranty repair, we will make sure your appliance is repaired by a trained authorized service provider using genuine replacement parts. We use only genuine replacement parts for all repairs.

Detailed information on the warranty period and terms of warranty can be found in the Statement of Limited Product Warranty, from your retailer, or on our website.

If you contact the Customer Service, you will need the model number (E-Nr.) and the production number (FD) of your appliance.

USA:

1-800-944-2904

www.bosch-home.com/us/owner-support/get-support

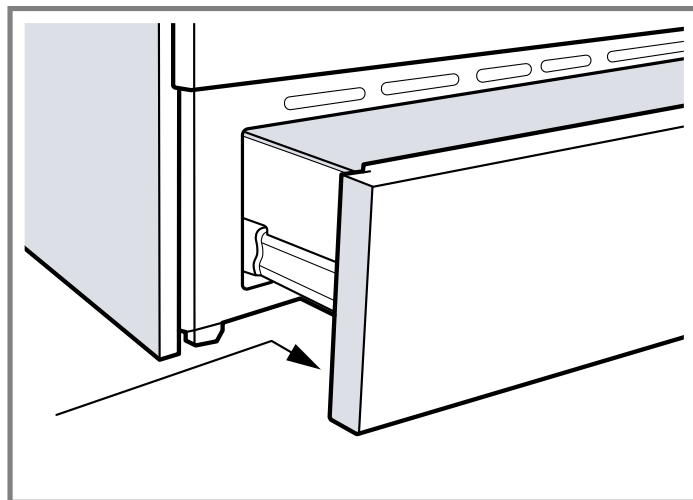
www.bosch-home.com/us/shop

CA:

1-800-944-2904

www.bosch-home.ca/en/service/get-support

www.bosch-home.ca/en/service/cleaners-and-accessories



10.1 Model number (E-Nr.) and production number (FD)

You can find the model number (E-Nr.) and the production number (FD) on the appliance's rating plate.

Making a note of your appliance's details and the Customer Service telephone number will enable you to find them again quickly.

10.2 Rating plate location

Refer to this section to see where the rating plate of your appliance is located.

- on the backside of the drawer front. Open the drawer to view it.

Table des matières

1 IMPORTANTES CONSIGNES DE SÉCURITÉ	21
1.1 Définitions des termes de sécurité	22
1.2 Indications générales	22
1.3 Consignes générales de sécurité	22
1.4 Manipulation sécuritaire des appareils	23
1.5 Lieu d'installation.....	23
1.6 Codes et normes de sécurité	23
1.7 Sécurité électrique	23
1.8 Sécurité des gaz	24
1.9 Installation au gaz propane	24
1.10 Conversion au gaz de pétrole liquéfié	25
1.11 Recommandations de ventilation	25
1.12 Installation à haute altitude.....	25
1.13 Mises en garde conformément à la proposition 65 de l'État de Californie	25
1.14 Transport	25
2 Avant de commencer.....	26
2.1 Pièces incluses	26
2.2 Outils et pièces nécessaires.....	26
2.3 Exigences d'alimentation et mise à la terre	26
2.4 Exigences en matière de gaz	26
3 Retirer l'emballage	26
4 Exigences d'installation	27
4.1 Dimensions de l'électroménager	27
5 Avant l'installation	27
5.1 Montage de la console anti-basculement	27
5.2 Retrait de la porte du four.....	28
6 Raccordement électrique	28
6.1 Exigences électriques	29
6.2 Raccordement électrique pour les modèles à gaz	29
6.3 Raccordement électrique pour les modèles bi- énergie.....	29
7 Raccordement de d'alimentation en gaz.....	32
7.1 Installation d'une conduite de gaz flexible en métal.....	32
7.2 Installation d'un raccordement de tuyau rigide	33
8 Installer la cuisinière dans les armoires	33
8.1 Réglage des pieds de nivellement.....	33
8.2 Glisser la cuisinière dans l'ouverture	34
8.3 Évitez d'obstruer le flux d'air.....	34
8.4 Réinstallation de la porte du four.....	35
8.5 Retrait du tiroir chauffe-plat du boîtier du tiroir.....	35
8.6 Réinstallation du tiroir chauffant dans le boîtier du tiroir.....	36
9 Opération d'essai.....	36
9.1 Test des brûleurs de cuisinière	37
9.2 Caractéristiques de la flamme	37
10 Service à la clientèle.....	37
10.1 Numéro de modèle (E-Nr.) et numéro de fabrication (FD)	38
10.2 Emplacement de la plaque signalétique	38



IMPORTANTES CONSIGNES DE SÉCURITÉ

LIRE ET CONSERVER CES INSTRUCTIONS

Lisez toutes les instructions attentivement avant l'utilisation. Ces précautions réduiront le risque d'électrocution, d'incendie et de blessure pour les personnes utilisant l'appareil. Lorsque vous utilisez des appareils électroménagers, il importe de suivre les précautions de sécurité de base, y compris celles indiquées dans les pages suivantes.

⚠ AVERTISSEMENT : Si les directives ne sont pas suivies à la lettre, il y a un risque d'incendie ou d'explosion pouvant entraîner des dommages matériels, des blessures ou un décès.

- Ne pas conserver ou utiliser de l'essence ou d'autres liquides ou vapeurs inflammables à proximité de cet appareil ou de tout autre appareil.
- **QUE FAIRE SI VOUS PERCEVEZ UNE ODEUR DE GAZ**
 - Ne pas essayer de mettre un appareil sous tension.
 - Ne pas toucher d'interrupteur de courant électrique.
 - Ne pas utiliser de téléphones dans l'édifice.
 - Communiquer immédiatement avec le fournisseur de gaz depuis l'appareil téléphonique d'un voisin. Respecter les directives du fournisseur de gaz.
 - S'il s'avère impossible de joindre le fournisseur de gaz, communiquer avec les pompiers.
- Utiliser les services d'un installateur ou d'une agence de services qualifiés ou le fournisseur de gaz pour procéder à l'installation et aux réparations.

⚠ AVERTISSEMENT :

Ne jamais faire fonctionner la surface de la table de cuisson de cet appareil sans surveillance.

- Le non-respect de cet avertissement pourrait entraîner un risque d'incendie, d'explosion ou de brûlure qui pourrait provoquer des dommages matériels, des blessures ou un décès.
- En cas d'incendie, se tenir à l'écart de l'appareil et appeler immédiatement les pompiers.

NE PAS ESSAYER D'ÉTEINDRE UN INCENDIE DE GRAISSE OU D'HUILE AVEC DE L'EAU.



IMPORTANTES CONSIGNES DE SÉCURITÉ

LIRE ET CONSERVER CES INSTRUCTIONS

1.1 Définitions des termes de sécurité

Vous trouverez ici des explications sur les mots de signalisation de sécurité utilisés dans ce manuel.

⚠ AVERTISSEMENT

Signale un risque de mort ou de blessure grave si l'avertissement n'est pas respecté.

⚠ MISE EN GARDE

Signale un risque de blessures mineures ou modérées si l'avertissement n'est pas respecté.

AVIS :

Ceci indique que la non-conformité à cet avis de sécurité peut entraîner des dégâts matériels ou endommager l'appareil.

Remarque : Ceci vous signale des informations et/ou indications importantes.

1.2 Indications générales

- Lisez attentivement cette notice.
- Veuillez conserver la notice et les renseignements sur le produit en vue d'une réutilisation ultérieure ou pour un futur nouveau propriétaire.
- Ne branchez pas l'appareil si ce dernier a été endommagé durant le transport.

1.3 Consignes générales de sécurité

IMPORTANT : CONSERVEZ CES INSTRUCTIONS POUR L'UTILISATION DE L'INSPECTEUR ÉLECTRIQUE LOCAL.

INSTALLATEUR : LAISSER CES INSTRUCTIONS D'INSTALLATION AVEC L'UNITÉ POUR LE PROPRIÉTAIRE.

PROPRIÉTAIRE : VEUILLEZ CONSERVER CES INSTRUCTIONS POUR RÉFÉRENCE FUTURE.

AVERTISSEMENT

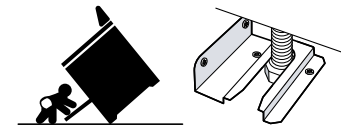
Si les consignes du présent manuel ne sont pas suivies à la lettre, il y a un risque d'incendie ou d'électrocution pouvant entraîner des dommages matériels ou des blessures.

Ne pas réparer, remplacer ni retirer toute pièce de l'électroménager à moins que cela ne soit spécifiquement recommandé par les manuels. L'installation, les réparations ou l'entretien inadéquats pourraient causer des blessures ou des dégâts matériels.

- ▶ Consulter ce manuel pour les directives d'utilisation.
- ▶ Toutes les autres réparations doivent être effectuées par un prestataire de services agréé.

AVERTISSEMENT

DANGER DE RENVERSEMENT! Un enfant ou un adulte peut renverser le four et être tué.



- ▶ Vérifiez que le support antibasculement est correctement installé. Assurez-vous que le support anti-basculé est engagé chaque fois que la cuisinière est déplacée vers un nouvel emplacement.
- ▶ Ne pas faire fonctionner la cuisinière si le support antibasculé n'est pas en place. Non-respect des instructions de ce manuel peut entraîner la mort ou des brûlures graves pour les enfants et les adultes.
- ▶ Vérifiez que le support anti-basculé est correctement installé et utilisé. Inclinez délicatement la cuisinière vers l'avant de l'arrière pour s'assurer que le support anti-basculé s'engage dans la patte de la cuisinière et empêche le renversement. La portée ne doit pas dépasser 1 po (2,5 cm).
- ▶ Il est de la responsabilité du propriétaire de la maison de s'assurer que le support anti-basculé est installé.

AVERTISSEMENT

Couper l'alimentation électrique et de gaz avant toute réparation.

Ne jamais modifier ni altérer la structure de l'appareil électroménager.

- ▶ Par exemple, ne retirez pas les pieds d'ajustement, les panneaux, les couvre-fils ou les vis ou supports anti-basculé.

AVERTISSEMENT

Retirer tout le ruban adhésif et l'emballage avant d'utiliser l'électroménager.

- ▶ Éliminez l'emballage d'une manière respectueuse de l'environnement.



IMPORTANTES CONSIGNES DE SÉCURITÉ

LIRE ET CONSERVER CES INSTRUCTIONS

- ▶ Ne laissez jamais les enfants jouer avec le matériel d'emballage.

1.4 Manipulation sécuritaire des appareils

AVERTISSEMENT



L'unité est lourde et son déplacement exige au moins deux personnes ou encore un équipement approprié.

- ▶ Ne pas soulever l'appareil par la poignée de porte.
- ▶ Retirez la porte pour une manipulation et une installation plus faciles. Voir les instructions dans ce manuel.

AVERTISSEMENT



Certaines surfaces cachées peuvent avoir des rebords tranchants.

- ▶ Redoubler de vigilance quand vous passez la main derrière ou sous l'appareil électroménager.
- ▶ Portez des gants pour éviter de vous couper les doigts sur les rebords pointus au cours de l'installation.

1.5 Lieu d'installation

Pour éliminer le risque de brûlure ou d'incendie lorsque vous vous étirez au-dessus des surfaces chauffantes de l'électroménager, il faut éviter d'installer des armoires de rangement au-dessus de la surface de l'électroménager. Si une armoire de rangement est installée, il est possible de réduire le risque en installant une hotte qui dépasse horizontalement d'au moins 5 po (12,7 mm) le bord du fond de l'armoire.

Vérifiez que les armoires au-dessus de la cuisinière ont une profondeur maximale de 13 po (330 mm).

1.6 Codes et normes de sécurité

Cet appareil est conforme aux plus récentes versions de l'une ou plus des normes suivantes :

- CAN/CSA C22.2 no 61 - Cuisinières domestiques
- UL 858 - Cuisinières électriques domestiques
- ANSI Z21.1/CSA 1.1, Appareils électroménagers pour la cuisson à gaz

- L'installation doit être conforme aux codes locaux ou, en l'absence de tels codes, au National Fuel Gas Code ANSI Z223.1/NFPA 54 ou, au Canada, au code national CSA B149.1 d'installation du gaz naturel et du propane.

Il est de la responsabilité du propriétaire et de l'installateur de déterminer si des exigences et/ou des normes supplémentaires s'appliquent à des installations spécifiques.

1.7 Sécurité électrique

- **Installateur** - indiquez au propriétaire l'emplacement du disjoncteur ou du fusible. Identifiez sa position pour pouvoir le retrouver facilement.
- S'il y a lieu, conformément au Code national de l'électricité (ou au Code canadien de l'électricité), cet appareil doit être installé sur un circuit de dérivation séparé.
- Les codes locaux peuvent varier. L'installateur est responsable de s'assurer que l'installation, les connexions et la mise à la terre sont conformes à tous les codes applicables. Le fabricant n'est pas responsable des problèmes associés à une mauvaise installation de ce produit.
- Assurez-vous que votre appareil est correctement installé et mis à la terre par un technicien qualifié conformément à la dernière édition du National Electrical Code ANSI/NFPA 70 et aux exigences du code électrique local.
- Seul une trousse de cordon d'alimentation conçu pour cet appareil et marqué « À utiliser avec les cuisinières » doit être utilisé.
- Voir la fiche signalétique pour plus d'information.
→ "Emplacement de la plaque signalétique", Page 38

AVERTISSEMENT

Avant de mettre sous tension la source d'alimentation, vérifiez que toutes les commandes sont à la position OFF (Arrêt).

Pour les électroménagers dotés d'un cordon d'alimentation avec fiche, ne pas couper ni enlever la broche de mise à la terre.

- ▶ Pour éviter toute électrocution, brancher le cordon dans une prise de courant correspondante avec mise à la terre.



IMPORTANTES CONSIGNES DE SÉCURITÉ

LIRE ET CONSERVER CES INSTRUCTIONS

- ▶ En cas de doute concernant la mise à la terre appropriée de la prise murale, le client doit faire vérifier celle-ci par un électricien qualifié.



RISQUE D'ÉLECTROCUTION

- ▶ Débranchez l'alimentation avant l'installation ou l'entretien. Avant de rétablir l'alimentation, s'assurer que toutes les commandes sont à la position d'arrêt (OFF).
 - ▶ NE PAS enlever de raccords.
 - ▶ NE PAS utiliser de rallonge.
 - ▶ Une mise à la terre inadéquate peut entraîner un risque d'électrocution.
 - ▶ Tout manquement à ces directives peut entraîner la mort ou une électrocution, ou déclencher un incendie.
- Avant de brancher le cordon électrique, vérifiez que toutes les commandes sont à la position OFF (Arrêt).
- Avant l'installation, coupez l'alimentation au panneau de service.

- ▶ Verrouillez le panneau de service pour empêcher que l'alimentation ne soit rétablie par accident.

INSTRUCTIONS DE MISE À LA TERRE

- ▶ Cet appareil doit être mis à la terre.
- ▶ La mise à la terre réduit le risque de choc électrique en fournissant une voie sûre pour le courant électrique en cas de court-circuit.
- ▶ Assurez-vous que l'appareil est correctement installé et mis à la terre par un technicien qualifié.
- ▶ L'installation, les raccordements électriques et la mise à la terre doivent être conformes avec tous les codes en vigueur.

1.8 Sécurité des gaz

Exigences pour l'alimentation en gaz :

- Installer un robinet d'arrêt près de l'électroménager. Il doit être facilement accessible en cas d'urgence.
- L'installateur doit procéder au test de fuites selon les consignes fournies dans le présent manuel.
- L'appareil et son propre robinet d'arrêt doivent être déconnectés de la canalisation du système d'alimentation en gaz au cours de test aux pressions qui dépassent ½ PSI (3,5 kPa).
- Une ligne de production métallique souple ou un tuyau métallique fixe doit être utilisé pour raccorder le gaz à l'appareil. Si une conduite de gaz en métal ne peut pas

être utilisée, veuillez vous adresser à un électricien agréé local ou aux codes électriques locaux pour obtenir une mise à la terre appropriée.

- L'installation d'appareils conçus pour une installation dans des maisons préfabriquées (mobiles) doit être conforme à la Norme de sécurité et de construction de maisons préfabriquées, Titre 24 CFR, Partie 3280 [anciennement la Norme fédérale pour la construction et la sécurité des maisons mobiles, Titre 24, HUD {Partie 280}] ou avec les codes locaux le cas échéant.
- L'installation d'appareils conçus pour une installation dans des maisons préfabriquées (mobiles) doit être conforme à la Norme de sécurité et de construction de maisons préfabriquées, Titre 24 CFR, Partie 3280 [anciennement la Norme fédérale pour la construction et la sécurité des maisons mobiles, Titre 24, HUD {Partie 280}] ou avec les codes locaux le cas échéant.

AVIS DE SÉCURITÉ IMPORTANT : La combustion du combustible de cuisson au gaz génère certains sous-produits qui figurent sur la liste des substances reconnues par l'État de Californie comme cancérigènes ou pour la reproduction. Pour minimiser l'exposition à ces substances, faites toujours fonctionner cet appareil conformément aux instructions contenues dans ce livret et assurez une bonne ventilation.

1.9 Installation au gaz propane

- Le réservoir de gaz propane doit être doté de son propre régulateur de pression élevée. De plus, le régulateur de pression livré avec cet appareil doit aussi être utilisé.
- L'électroménager est livré de l'usine prêt à utiliser avec du gaz naturel. Il doit être converti pour usage avec gaz propane. Un technicien qualifié ou un installateur certifié doit procéder à la conversion.
- Pour une utilisation avec du propane, l'appareil doit être converti selon les instructions de conversion LP.

Pour les installations au Massachusetts

- L'installation doit être exécutée par un entrepreneur, un plombier ou un ajusteur d'appareils à gaz qualifié ou autorisé par l'État, la province ou la région d'installation de cet électroménager.
- Le robinet d'arrêt doit être robinet à gaz avec poignées en T.
- Le connecteur à gaz souple ne doit pas dépasser 36 pouces.



IMPORTANTES CONSIGNES DE SÉCURITÉ

LIRE ET CONSERVER CES INSTRUCTIONS

Installateur : prière d'indiquer au propriétaire, l'emplacement du robinet d'arrêt.

1.10 Conversion au gaz de pétrole liquéfié

AVERTISSEMENT

Si la cuisinière n'est pas installée par un installateur ou un électricien qualifié, des blessures corporelles ou la mort par électrocution peuvent survenir. Tous les ajouts, modifications ou conversions nécessaires pour que cet appareil réponde de manière satisfaisante aux besoins de l'application doivent être effectués par un technicien qualifié.

Votre modèle de cuisinière à gaz est conçu pour permettre la conversion de LP par un technicien de service qualifié.

- ▶ Avant d'installer la trousse, assurez-vous de suivre attentivement les instructions d'installation LP.

1.11 Recommandations de ventilation

Nous recommandons fortement l'installation d'une hotte de ventilation au-dessus de cet appareil.

La hotte doit être installée conformément aux instructions fournies avec la hotte.

AVERTISSEMENT

L'électroménager ne doit pas être installé avec un système de ventilation qui souffle l'air vers le bas en direction des brûleurs. Ce type de système de ventilation peut entraîner des problèmes d'allumage et de combustion avec l'appareil de cuisson au gaz pouvant causer des blessures corporelles ou un fonctionnement indésirable.

1.12 Installation à haute altitude

Contactez le service client pour une utilisation à des altitudes supérieures à 5 000 pieds (1524 m) au-dessus du niveau de la mer.

1.13 Mises en garde conformément à la proposition 65 de l'État de Californie

Ce produit pourrait contenir un produit chimique reconnu par l'État de la Californie comme cancérigène ou ayant des effets nocifs sur la reproduction. Par conséquent, vous pourriez devoir apposer l'étiquette suivante sur l'emballage du produit comme requis par la Californie :

AVERTISSEMENT ISSUE DE LA PROPOSITION 65 DE L'ÉTAT DE LA CALIFORNIE :

AVERTISSEMENT

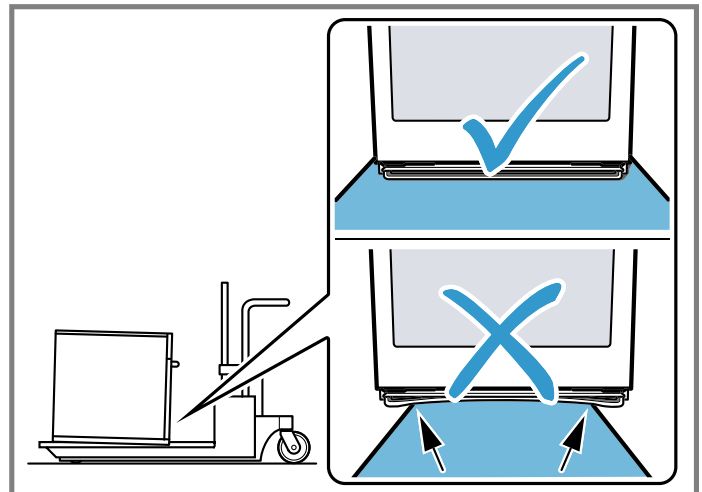
Cancer et dommages à la reproduction -
www.P65Warnings.ca.gov

1.14 Transport

Suivez ces précautions lors du transport de votre appareil.

AVIS :

Pour éviter d'endommager l'appareil, utilisez la méthode de transport illustrée ci-dessous.



2 Avant de commencer

Lisez ces instructions avant de commencer l'installation de votre appareil.

2.1 Pièces incluses

Après avoir déballé le produit, inspectez toutes les pièces pour détecter d'éventuels dégâts dus au transport et pour vous assurer de l'intégralité de la livraison.

- Support anti-bascule
- 2 x vis à bois
- 2 x vis à béton sans ancrage
- Cosses de borne; pour une utilisation avec des installations câblées (non requis pour les installations canadiennes)

2.2 Outils et pièces nécessaires

Préparez ces outils et accessoires avant de commencer à installer votre électroménager.

Outils

- Crayon
- Ruban à mesurer
- Niveau
- Tournevis à embout étoile T-20
- Tournevis cruciforme
- Gants de sécurité
- Lunettes de protection
- Clé 1 ¼ po
- Eau savonneuse
- Tissu ou carton pour protéger le sol
- Perceuse et mèche à maçonnerie 3/16 po pour vis à béton
- Clé à pipe
- Ruban de téflon - classe Gaz
- Solution de test de fuite de gaz
- Conduite d'alimentation en gaz (½ po NPT minimum)
- Vanne d'arrêt de gaz

Pièces

- Modèles bi-énergie uniquement : trousse de cordon d'alimentation 40 ou 50 A avec décharge de traction; selon les codes locaux (pas nécessaire pour les installations canadiennes, le cordon est pré-installé en usine)
- 2 x vis et 2 x ancrages pour support anti-basculement
- Le style varie en fonction de la surface de montage

Pièces supplémentaires nécessaires pour les installations câblées (modèles bi-énergie uniquement)

- Un conduit flexible
- Clé dynamométrique

2.3 Exigences d'alimentation et mise à la terre

La prise de courant doit être correctement mise à la terre selon tous les codes applicables.

2.4 Exigences en matière de gaz

AVERTISSEMENT

Assurez-vous que le robinet d'arrêt de gaz et toutes les commandes du brûleur sont en position **OFF** avant de commencer l'installation.

3 Retirer l'emballage

1. Coupez les sangles de la boîte.
2. Ouvrez le haut du carton et retirez le cadre supérieur en bois.
3. Placez l'unité devant l'armoire où elle doit être installée. L'unité doit être alignée avec la découpe de l'armoire. Laissez l'unité sur la base de l'emballage jusqu'à ce qu'elle soit prête à être soulevée dans la découpe de l'armoire.
4. Retirez le carton en la soulevant à la verticale pour l'enlever de l'unité.

Alternativement, vous pouvez couper soigneusement le long de la ligne de coupe sur le côté arrière gauche du carton avec une lame plus courte que 3/4 po (20 mm).

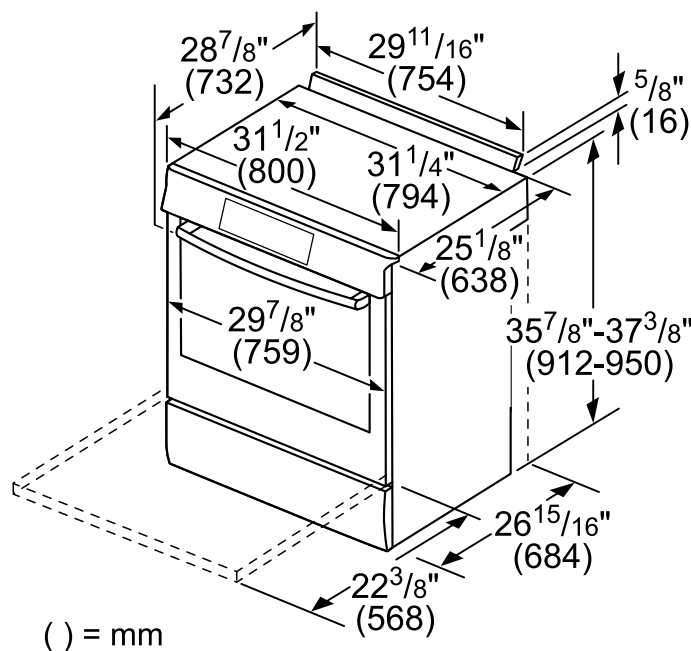
5. Retirez tous les emballages de protection internes, les grilles, les accessoires et les manuels d'instructions de la cavité du four.

4 Exigences d'installation

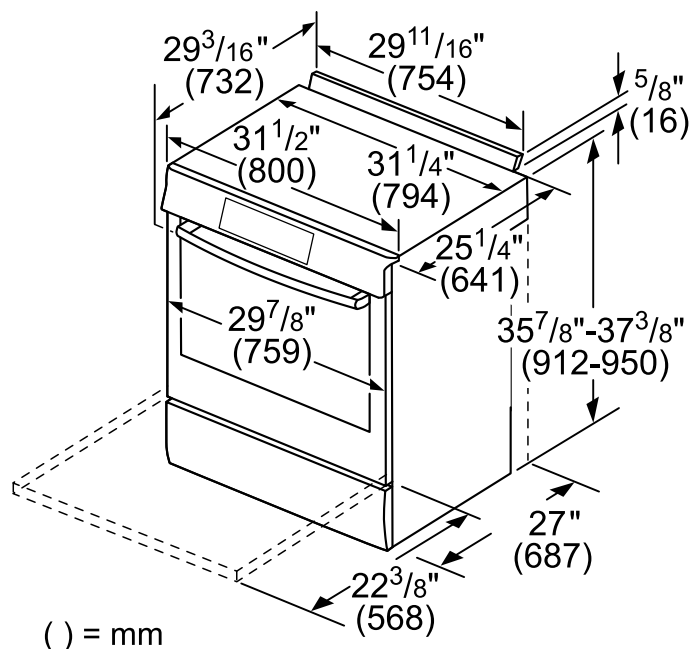
Lisez ces instructions pour préparer l'espace d'installation de votre appareil.

4.1 Dimensions de l'électroménager

Cuisinières encastrables bi-énergie



Cuisinières encastrées au gaz



5 Avant l'installation

Effectuez ces étapes pour préparer votre appareil à l'installation.

5.1 Montage de la console anti-basculement

La cuisinière peut basculer vers l'avant, pouvant causer des blessures et des dommages, si le support antibasculement n'est pas correctement installé. Ne pas faire fonctionner la cuisinière si le support antibasculement n'est pas en place.

⚠ AVERTISSEMENT

Un enfant ou un adulte peut renverser le four et être tué.

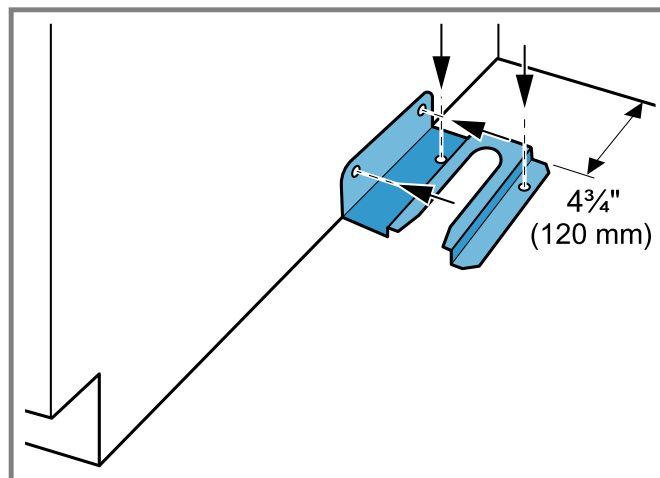
- ▶ Vérifiez que le support antibasculement est correctement installé. Assurez-vous que le support antibascule est engagé lorsque la cuisinière est déplacée.

⚠ AVERTISSEMENT

RISQUE D'ÉLECTROCUTION

- ▶ Soyez extrêmement prudent lorsque vous percez des trous dans le mur ou le sol, car des fils électriques peuvent être dissimulés.
- ▶ Identifiez les circuits électriques qui pourraient être affectés par l'installation du support anti-bascule, puis mettez ces circuits hors tension.
- ▶ Le non-respect de ces instructions peut entraîner un choc électrique ou d'autres blessures.

1. Positionnez le support comme indiqué dans le coin arrière gauche de l'ouverture d'installation, contre la paroi arrière et la paroi gauche de l'armoire.



Remarque : La surface de montage doit être sécurisée. Lors du montage sur la paroi de l'armoire, assurez-vous que les vis s'engagent dans le cadre de l'armoire. N'utilisez pas de bloc ou d'entretoise pour combler un espace entre le support antibasculement et la paroi de l'armoire. N'essayez pas de l'ancrer dans une cloison sèche.

2. Fixez le support avec deux vis au sol ou à la base de la paroi de l'armoire. Selon le sol ou le matériau de l'armoire, utilisez des vis à bois ou à béton sans ancrage (incluses). Les vis à béton nécessitent l'utilisation d'un foret à maçonnerie de 3/16 po.

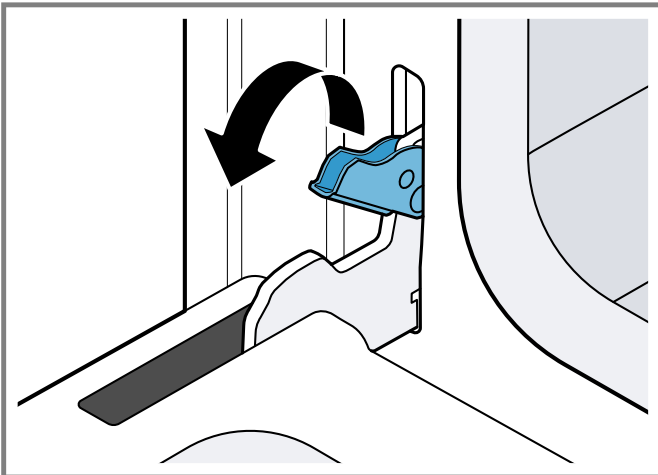
5.2 Retrait de la porte du four

⚠ AVERTISSEMENT

Le non-respect de ces instructions lors du retrait de la porte du four peut entraîner des blessures ou endommager le produit.

- ▶ Avant de démonter la porte, s'assurer que le four soit froid et que le courant qui l'alimente a été coupé. Le non-respect de cette précaution pourrait entraîner un choc électrique ou des brûlures.
- ▶ La porte du four est lourde et certaines parties sont fragiles. Utilisez les deux mains pour retirer la porte du four.
- ▶ Le devant de la porte est en verre. Manipulez-la avec précaution pour éviter des cassures.
- ▶ Saisir uniquement les côtés de la porte. Ne saisissez pas la poignée. Il peut osciller dans votre main et provoquer des dommages ou des blessures. Si la porte du four n'est pas saisie fermement et correctement, il y a un risque de blessure ou de dommage à l'appareil.
- ▶ Pour éviter toute blessure causée par l'enclenchement soudain du support de charnière, s'assurer que les deux leviers sont bien enclenchés avant d'enlever la porte.
- ▶ Ne forcez pas la porte pour l'ouvrir ou la fermer. La charnière pourrait être endommagée et provoquer des dommages ou des blessures.
- ▶ Ne pas déposer la porte sur des objets acérés ou pointus, car ils risquent de briser la vitre. Posez-la sur une surface plane et lisse, positionnée de manière à ce que la porte ne puisse pas tomber.

1. Ouvrez la porte du four dans sa position complètement ouverte.
2. Basculez les leviers des charnières vers vous.

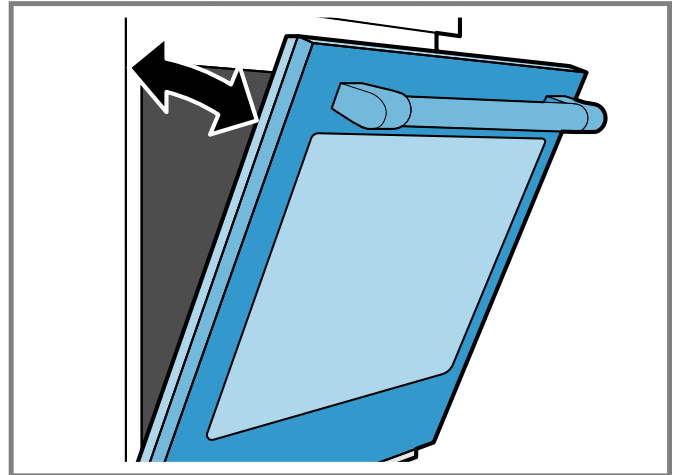


Si nécessaire, utilisez un outil, tel qu'un tournevis, pour retirer délicatement la partie supérieure du levier du boîtier. Veillez à ne pas rayer le boîtier.

3. Amenez les deux leviers de charnière de porte à leur position la plus basse. Les charnières gauche et droite de la porte diffèrent légèrement, mais fonctionnent de la même manière.

4. ⚠ **MISE EN GARDE** Suivez les instructions ci-dessous pour empêcher le loquet de se refermer et de pincer ou de vous couper la main.

Fermer la porte du four jusqu'à ce qu'elle s'accroche sur les leviers d'arrêt des charnières, verrouillant ainsi les charnières au bon angle pour le démontage de la porte.

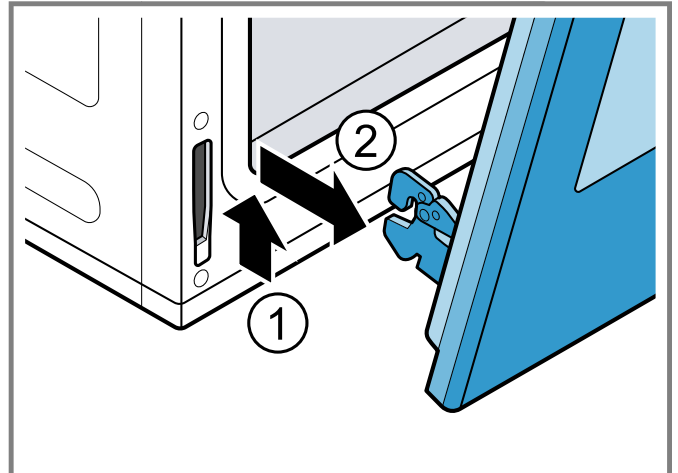


- ✓ La porte sera ouverte d'environ 7 po (18 cm) en haut.

5. ⚠ **MISE EN GARDE** La porte est lourde.

- ▶ Ne saisissez pas la porte par la poignée.
- ▶ Utilisez les deux mains pour le saisir fermement par les côtés.

En maintenant l'angle de la porte, soulevez la porte vers le haut d'environ 3/4 po (2 cm) pour décrocher les charnières des fentes, puis tirez-la vers vous jusqu'à ce que les charnières soient dégagées du boîtier du four.



6. Placez la porte dans un endroit pratique et stable. Ne posez pas la porte sur sa poignée. Cela pourrait provoquer des bosses ou des rayures.

6 Raccordement électrique

Lisez ces instructions pour connecter votre appareil en toute sécurité à l'alimentation électrique.

⚠ AVERTISSEMENT

N'utilisez pas de rallonge. Si le cordon d'alimentation est trop court, demandez à un électricien ou un technicien qualifié d'installer une prise à proximité de l'appareil. Ce produit doit être mis à la terre.

6.1 Exigences électriques

Assurez-vous que votre installation électrique prend en charge les exigences suivantes.

Modèles à gaz

120 V, 15 A minimum, 60 Hz est requis. Le cordon d'alimentation 120 V est installé en usine.

Modèles bi-énergie

Cet appareil doit être alimenté avec la tension et la fréquence appropriées et connecté à un circuit de dérivation individuel correctement mis à la terre, protégé par un disjoncteur ou un fusible dont l'ampérage est spécifié sur la plaque signalétique. Voir les informations sur la plaque signalétique. → Page 38

Vérifiez auprès de vos services publics locaux les codes électriques qui s'appliquent dans votre région. Le fait de ne pas câbler votre appareil conformément aux codes en vigueur peut entraîner une situation dangereuse. S'il n'y a

pas de codes locaux, votre cuisinière doit être câblée et fusionnée pour répondre aux exigences du National Electrical Code, ANSI / NFPA n ° 70 – Dernière édition. La gamme nécessite au moins un circuit CA à trois fils 120/240 V ou 120/208 V, 25 ou 30A, 60 Hz. Vérifiez les codes locaux pour connaître les ampérages appropriés. Une connexion à quatre fils est préférable. La plupart des réglementations et codes de construction locaux exigent que le câblage électrique soit effectué par des électriciens agréés. Assurez-vous d'installer votre cuisinière conformément aux codes électriques de votre région.

Puissance électrique en kW

Les cuisinières ont une double valeur nominale pour une utilisation sur 120/240 VAC ou 120/208 VAC. Vérifiez la plaque de puissance pour la puissance en kW. Reportez-vous à la puissance nominale dans le tableau ci-dessous pour déterminer les besoins en ampérage.

Volts A / C	Hz	Puissance en kW	Disjoncteur Varie selon l'emplacement. Vérifiez les codes locaux
120/240	60	6,4	30 A
120/208	60	4,8	25 A

6.2 Raccordement électrique pour les modèles à gaz

Suivez ces instructions si vous avez une cuisinière à gaz avec une table de cuisson à gaz et un four à gaz.

La cuisinière à gaz encastrable dispose d'un cordon d'alimentation de 120 V et se branche sur une prise murale standard de 120 V.

Le cordon d'alimentation de 120 V est installé en usine sur la cuisinière à gaz.

6.3 Raccordement électrique pour les modèles bi-énergie

Suivez ces instructions si vous possédez une cuisinière à deux combustibles avec une table de cuisson à gaz et un four électrique.

⚠ AVERTISSEMENT

Pour éviter tout risque de choc électrique, la prise de terre du cordon de la cuisinière ne doit en aucun cas être coupée ou retirée.

- ▶ Elle doit être reliée à une prise de type mise à la terre adaptée et connecté à un circuit de 240 volts correctement polarisé.
- ▶ En cas de doute concernant la mise à la terre appropriée de la prise murale, le faites-la vérifier par un électricien qualifié.
- La cuisinière peut être raccordée à l'aide d'un cordon de cuisinière électrique ou d'un raccord électrique à conduit flexible.
- Utilisez uniquement des trousse de cordons de 125/250 volts, 40 ampères (minimum) et étiquetés « À utiliser avec les cuisinières ».
- Il est recommandé que seules des personnes qualifiées ajoutent un cordon d'alimentation ou effectuent des branchements électriques sur cet appareil.

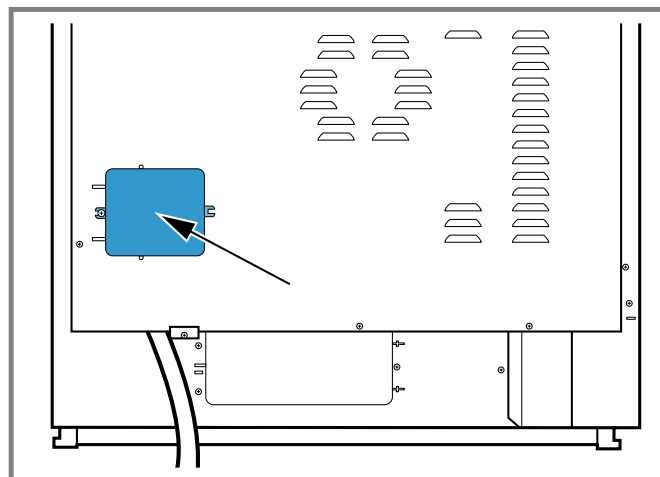
Remarque : Dans les modèles canadiens, la cuisinière est expédiée de l'usine avec le cordon de la cuisinière déjà installé. Continuez à installer la cuisinière dans les armoires.

Acheminement du cordon électrique

⚠ AVERTISSEMENT

Le serre-câble doit être correctement installé. Les tensions de sûreté peuvent varier. Lisez attentivement et suivez les instructions fournies avec votre serre-câble.

1. Retirez le couvercle dans le coin inférieur gauche du panneau arrière de la cuisinière.



2. Sous le bornier, retirez le débouchure qui correspond à la décharge de traction fournie avec votre cordon de cuisinière.
3. Faites passer le cordon de la cuisinière à travers le trou et le serre-câble jusqu'au bornier.
4. Fixez le serre-câble conformément aux instructions fournies avec le serre-câble.

Remarque : Le panneau à défoncer sous le bornier peut être retiré de la cuisinière pour installer le serre-câble. Retirez le panneau de la cuisinière, installez la décharge de traction dans le panneau et remettez-le en place. NE retirez PAS tout le panneau arrière de la cuisinière.

Préparation à la connexion électrique

⚠ AVERTISSEMENT

Risque d'électrocution ou de feu. La mise à la terre via le conducteur neutre est interdite pour les nouvelles installations de circuit de dérivation (NEC 1996), les caravanes et les véhicules récréatifs, ou dans une zone où les codes locaux interdisent la mise à la terre via le conducteur neutre.

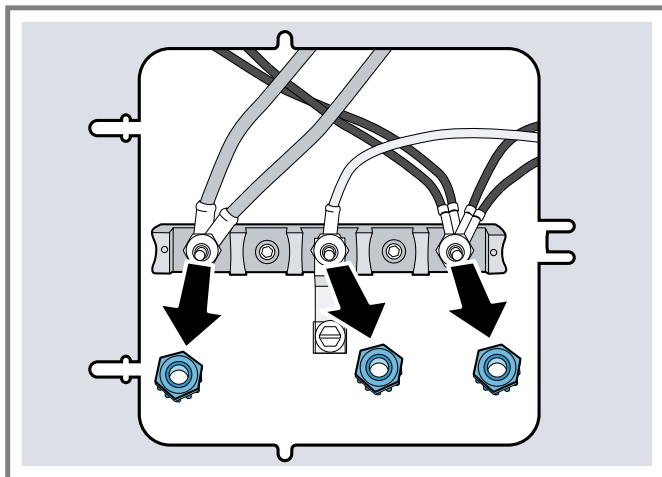
Lorsque la mise à la terre via le conducteur neutre est interdite :

- Déconnectez le lien du neutre.
- Utilisez la borne de mise à la terre ou le fil vers l'unité de terre.
- Connectez la borne neutre au neutre du circuit de dérivation de la manière habituelle. Lorsque l'appareil est connecté grâce à d'une trousse de câbles électriques, utilisez à cet effet un câble à 4 conducteurs.

Installation d'une connexion à quatre fils

Méthode recommandée.

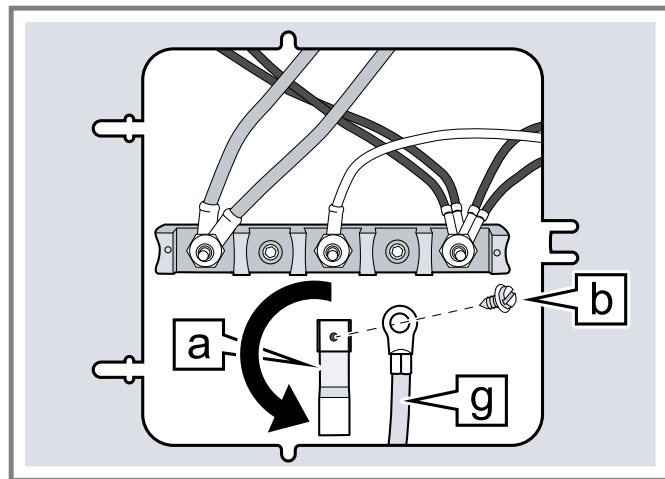
1. Débranchez l'alimentation électrique au niveau du boîtier des disjoncteurs.
2. Retirez le couvercle du bornier pour mettre le bornier à découvert.
3. Retirez l'écrou supérieur (a une rondelle de blocage attachée) de chaque montant.



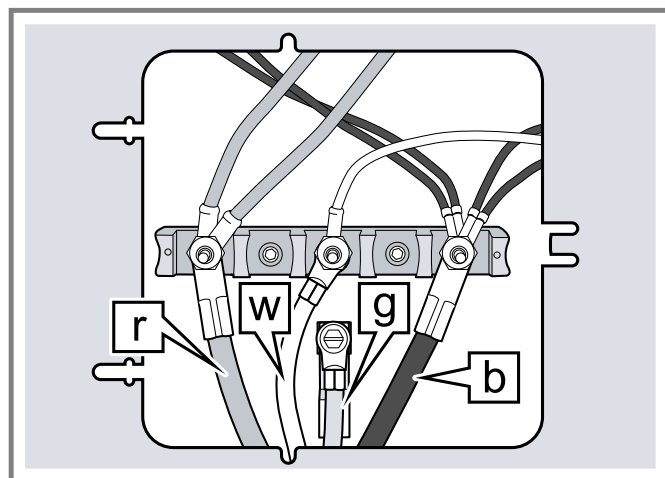
Remarque : NE PAS retirer le deuxième écrou/rondelle sur chaque montant; ceux-ci doivent rester en place pour ancrer le câblage interne attaché au bornier.

4. Retirez la vis de mise à la terre (b) de l'extrémité inférieure du bracelet de mise à la terre.
5. Retirez la barrette de mise à la terre du poteau central du bornier.
6. Faites pivoter la bande de mise à la terre (a) de sorte que l'extrémité large soit vers le haut et alignez le trou avec le trou de mise à la terre sous le bornier.
7. Utilisez la vis de mise à la terre verte (g) pour attacher le fil vert (g) au-dessus de la sangle de mise à la terre.

8. Serrez fermement la vis de mise à la terre, mais ne serrez pas excessivement.



9. Attachez le fil rouge à la borne gauche en utilisant l'un des écrous/rondelles retirés précédemment.



r Rouge

w Blanc

g Vert

b Noir

10. Fixez le fil blanc à la borne centrale à l'aide de l'une des pièces d'écrou/rondelle.
11. Fixez le fil noir à la borne droite du bloc de jonction à l'aide de l'une des pièces d'écrou/rondelle.
12. Vissez bien tous les raccords et remplacez le couvercle du bornier.
13. Sécurisez convenablement le cordon de sûreté.
→ "Acheminement du cordon électrique", Page 29

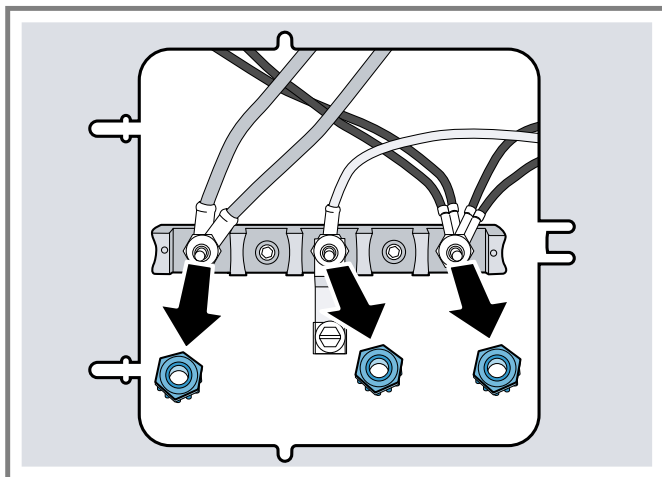
Remarque : NE PAS brancher pas la cuisinière à ce moment.

Installation d'une connexion à trois fils

Méthode alternative

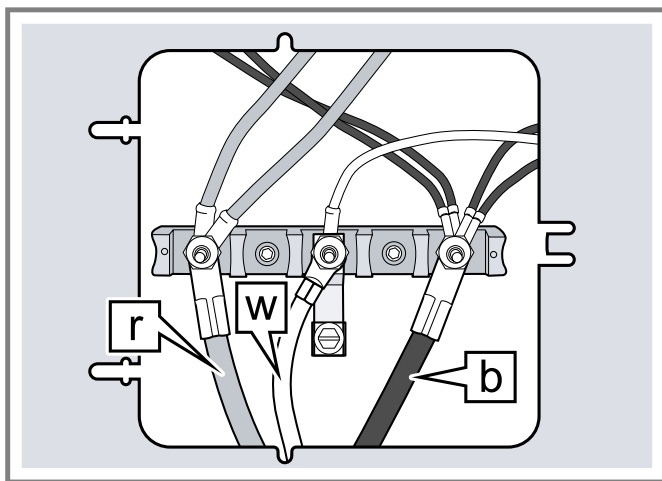
Remarque : La liaison à quatre fils (ci-dessus) est préférable, mais lorsque les codes et arrêtés municipaux permettent la mise à la terre par le neutre et lorsque la conversion en liaison à quatre fils n'est pas pratique, l'appareil peut être raccordé à l'alimentation par une liaison à trois fils.

1. Débranchez l'alimentation électrique au niveau du boîtier des disjoncteurs.
2. Retirez le couvercle du bornier pour mettre le bornier à découvert.
3. Retirez l'écrou supérieur (muni d'une rondelle de blocage) de chaque borne.



Remarque : NE PAS retirer le deuxième écrou/rondelle sur chaque montant. Ceux-ci doivent rester en place pour ancrer le câblage interne attaché au bornier.

4. Fixez le fil blanc à la borne centrale à l'aide de l'une des pièces d'écrou/rondelle.
5. Attachez le fil rouge à la borne gauche en utilisant l'une des pièces d'écrou/rondelle retirées précédemment.
6. Fixez le fil noir à la borne droite à l'aide de l'une des pièces d'écrou/rondelle.



r	Rouge
w	Blanc
b	Noir

7. Vissez bien tous les raccords et remplacez le couvercle du bornier.
8. Sécurisez convenablement le cordon de sûreté.
→ "Acheminement du cordon électrique", Page 29

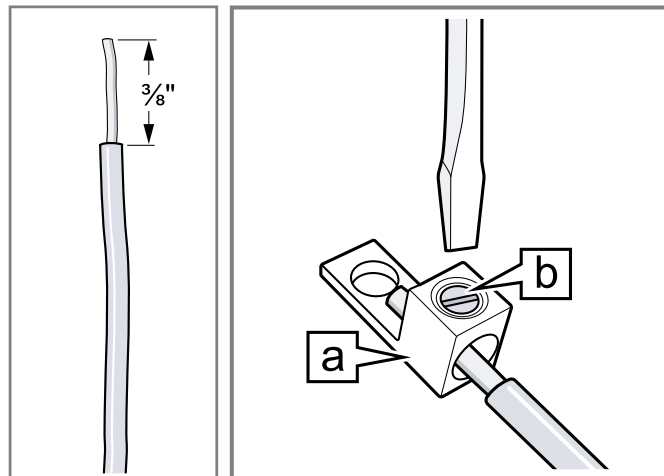
Remarque : NE PAS brancher pas la cuisinière à ce moment.

Connexion d'une connexion de conduit flexible

La cuisinière peut également être connectée via un conduit flexible. Si vous utilisez cette méthode, utilisez toujours les cosses fournies. Dans chaque cas où un fil doit être attaché à une cosse de borne, effectuez les étapes suivantes.

Remarque : Au Canada, la cuisinière est expédiée de l'usine avec le cordon de la cuisinière déjà installé. Continuez à installer la cuisinière dans les armoires. Pour les installations autres que celles au Canada, connectez le conduit flexible au bornier.

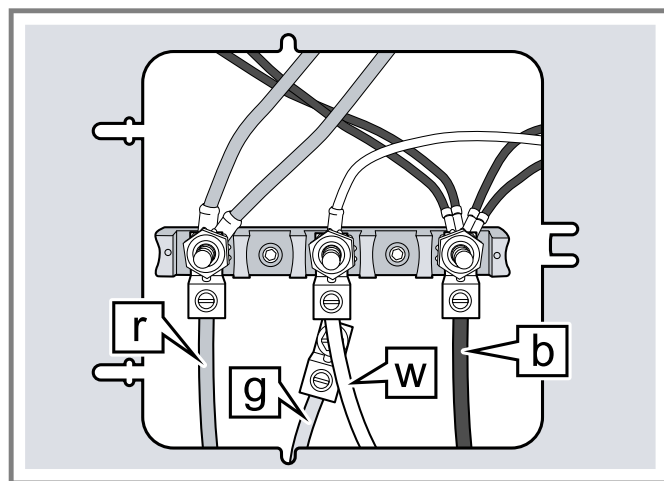
1. Dénudez 3/8 po (9,5 mm) d'isolant à l'extrémité du fil.
2. Insérez l'extrémité dénudée du fil dans la cosse de borne [a]. Puis serrez chaque vis de serrage [b] avec le couple approprié. Consulter le tableau.



Calibre du fil	Couple (po/lb)	Couple (Nm)
6	35	3,95
8	25	2,82

Installation d'une connexion de conduit flexible à quatre fils

1. Suivez les instructions pour installer une connexion à quatre fils. → Page 30



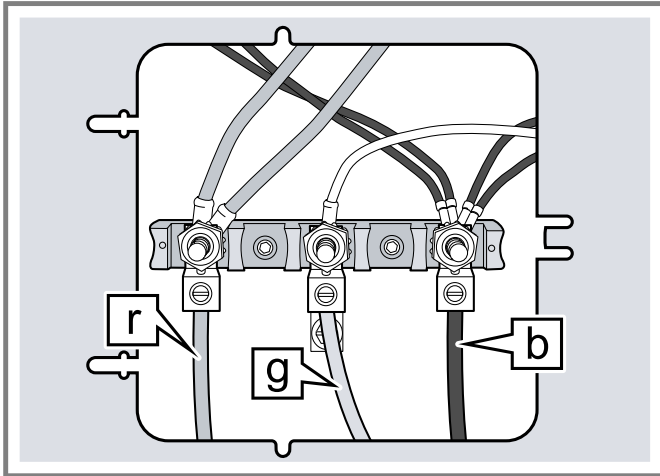
r	Rouge
w	Blanc
g	Vert
b	Noir

- Fixez correctement le conduit flexible au niveau du débouchement sur l'angle et au niveau de la boîte de jonction côté alimentation. Le câblage est maintenant terminé.

Remarque : NE connectez PAS d'alimentation électrique à la cuisinière à ce moment.

Installation d'une connexion de conduit flexible à trois fils

- Suivez les instructions pour installer une connexion à trois fils. → Page 30



r Rouge

g Vert

b Noir

- Fixez correctement le conduit flexible au niveau du débouchement sur l'angle et au niveau de la boîte de jonction côté alimentation. Le câblage est maintenant terminé.

Remarque : NE connectez PAS d'alimentation électrique à la cuisinière à ce moment.

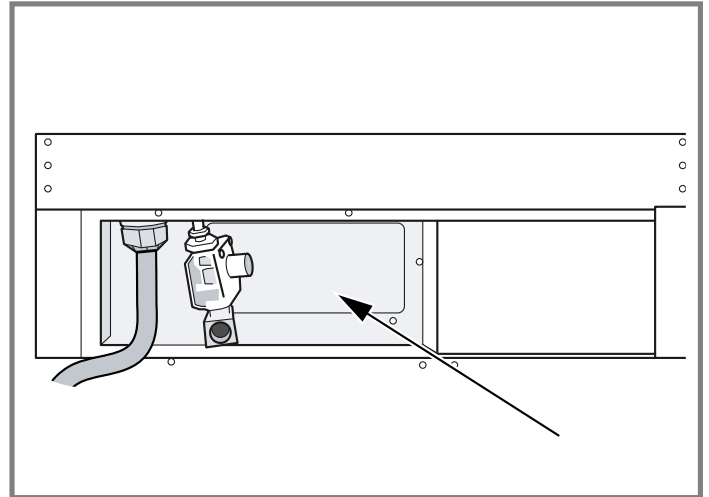
7 Raccordement de d'alimentation en gaz

Assurez-vous que les conditions suivantes sont remplies avant d'essayer de connecter l'appareil à l'alimentation en gaz :

- L'électroménager est livré de l'usine prêt à utiliser avec du gaz naturel. Si vous souhaitez utiliser du gaz propane, il doit être converti. Un technicien ou un installateur qualifié doit procéder à la conversion.
- Avant de connecter l'appareil, veuillez vérifier si les conditions de connexion locales telles que le type de gaz et la pression de gaz correspondent aux réglages de l'appareil.
- Assurez-vous que l'alimentation en gaz est fermée au niveau du robinet d'arrêt manuel avant de déconnecter une ancienne cuisinière et laissez-la fermée jusqu'à ce que le nouveau branchement soit terminé. N'oubliez pas de rallumer la veilleuse sur les autres appareils à gaz lorsque vous rétablissez l'alimentation en gaz.
- Pour couper l'alimentation en gaz, il faut installer un robinet d'arrêt manuel externe à l'appareil électroménager, à un endroit accessible de l'avant. La conduite d'alimentation en gaz ne doit pas nuire à l'arrière de l'appareil.

- La cuisinière peut être installée à l'aide d'un tuyau rigide ou d'une conduite de gaz flexible métallique certifiée CSA International.
- Appliquez un composé de joint de tuyau ou un ruban de téflon approprié pour une utilisation avec du gaz propane et du gaz naturel autour de tous les filetages mâles des tuyaux pour éviter les fuites.

Le raccordement au gaz est situé sous le panneau arrière de la cuisinière. Il est accessible par le panneau d'accès aux tiroirs ou par l'arrière de la cuisinière. Pour atteindre le panneau d'accès, retirez le tiroir réchaud. → Page 35

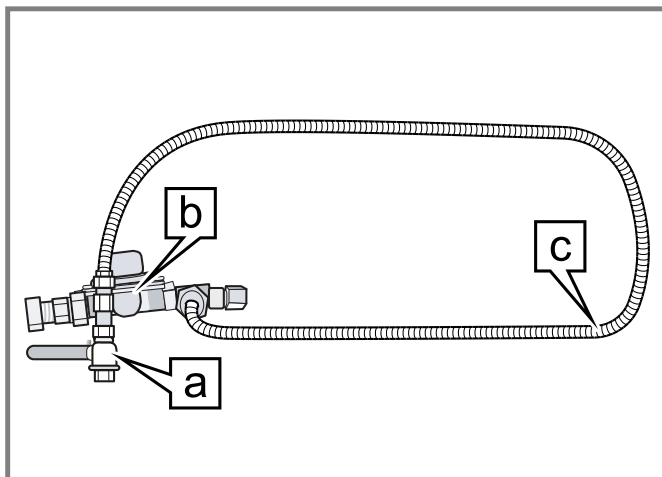


7.1 Installation d'une conduite de gaz flexible en métal

Remarques

- La conduite de gaz flexible métallique ne doit pas entrer en contact avec les pièces mobiles de l'unité montée (par ex. Tiroirs) ou être posée dans des zones où elle pourrait être coincée ou endommagée.
 - La conduite de gaz métallique flexible ne doit pas entrer en contact avec une table de cuisson, un four, un lave-vaisselle, un réfrigérateur, une machine à laver, une conduite d'eau chaude, un radiateur ou tout autre appareil installé à proximité de la cuisinière.
 - La conduite de gaz flexible métallique ne doit pas être soumise à des frottements, des vibrations, des vrilles ou tout autre type de déformation. Il doit être vérifié sur toute sa longueur avec la cuisinière en position installée.
 - Installez toujours une nouvelle conduite de gaz flexible en métal.
1. Installez l'adaptateur évasé mâle 1/2 po au filetage interne 1/2 po NPT de l'entrée de la cuisinière. Utilisez une clé de secours sur le raccord coudé pour éviter tout dommage.
 2. Installez l'adaptateur de raccord évasé mâle 1/2 po ou 3/4 po sur le filetage interne de la vanne d'arrêt manuelle.

3. Branchez le connecteur métallique flexible de l'appareil.



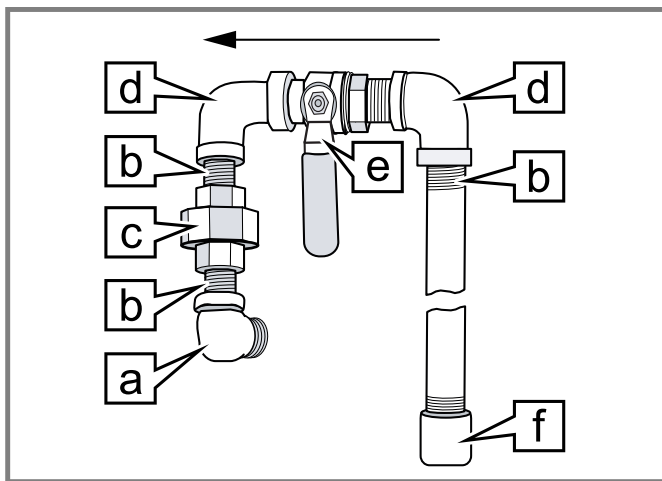
- | | |
|---|-----------------------------------|
| a | Vanne d'arrêt de gaz |
| b | Régulateur |
| c | Conduite de gaz flexible en métal |

4. Connectez la conduite de gaz flexible métallique à la cuisinière au niveau du raccord. Accédez à la connexion via le panneau d'accès derrière le tiroir.
5. Vérifiez les fuites de gaz avant de procéder à l'installation.

7.2 Installation d'un raccordement de tuyau rigide

La configuration du raccordement de tuyau rigide dépend de l'emplacement du tronçon de tuyau de gaz.

1. Configurez le raccordement du tuyau selon les exigences du lieu d'installation.



- | | |
|---|---|
| a | Coude, connectez-vous au régulateur ici |
| b | Tuyau de raccord |
| c | Raccord |
| d | Coude |
| e | Vanne d'arrêt de gaz |
| f | Tuyau de gaz de 1/2 po à 3/4 po |

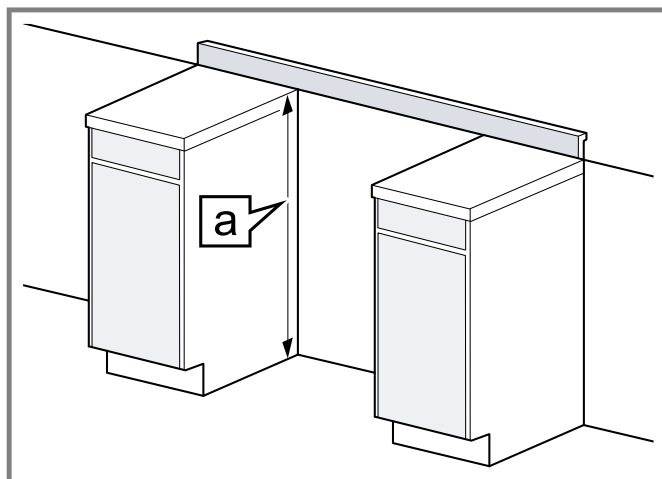
La flèche indique la direction du flux de gaz vers la cuisinière.

2. Connectez le tuyau de gaz à la cuisinière au niveau du raccord. Accédez à la connexion via le panneau d'accès derrière le tiroir.
3. Vérifiez les fuites de gaz avant de procéder à l'installation.

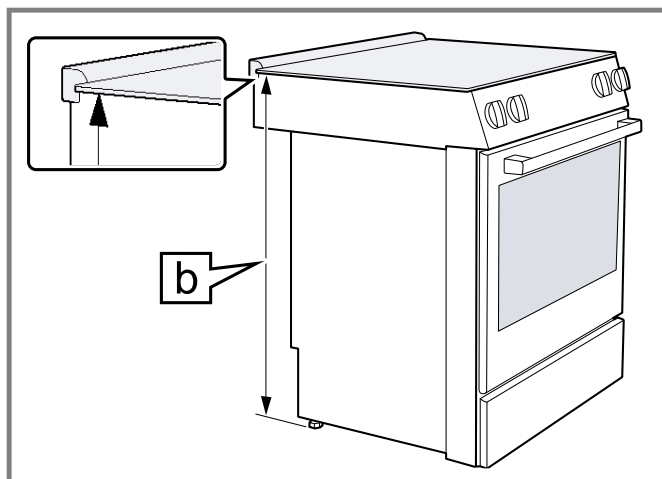
8 Installer la cuisinière dans les armoires

8.1 Réglage des pieds de nivellement

1. Alignez la cuisinière devant l'ouverture.
2. Mesurer la hauteur de [a] dans le coin arrière gauche de l'ouverture du haut du comptoir au sol.

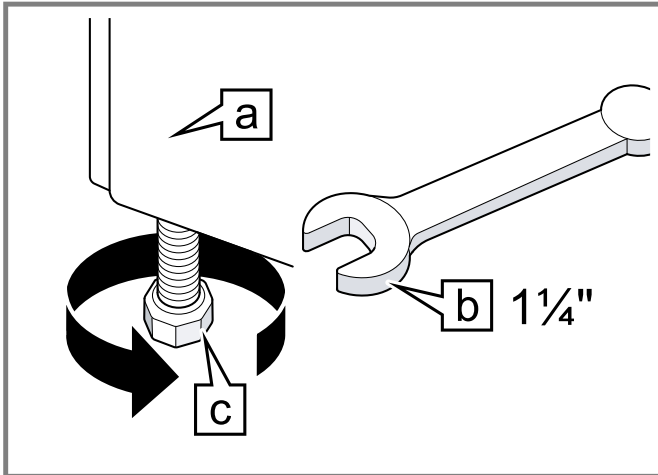


3. Mesurer la hauteur de [b] dans le coin arrière gauche de la cuisinière, du dessous de la table de cuisson au bas de la cuisinière.



4. Ajustez les pieds de nivellement jusqu'aux dimensions [a] et [b] sont identiques.
5. Répétez dans le coin arrière droit.

6. Utilisez une clé de 1 ¼ po pour régler les pieds de mise à niveau avant de sorte que la hauteur du dessous de la table de cuisson au sol corresponde à la hauteur de la surface de comptoir correspondante.



- | | |
|---|--------------------------------|
| a | Tiroir-réchaud |
| b | Clé |
| c | Pieds de nivellement réglables |

8.2 Glisser la cuisinière dans l'ouverture

⚠ MISE EN GARDE

Le bloc est lourd et nécessite au moins deux personnes ou bien un équipement approprié pour le déplacement. Il est recommandé de porter des vêtements de protection pendant le processus de levage.

- ▶ Portez des gants et des manches longues pour protéger les mains et les avant-bras de l'abrasion et des rayures potentielles.
- ▶ Enlevez montres et bijoux.
- ▶ Portez des chaussures de travail pour protéger vos pieds.

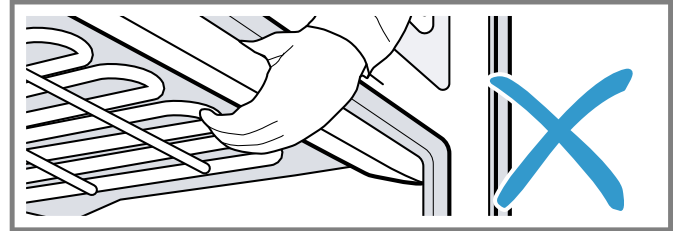
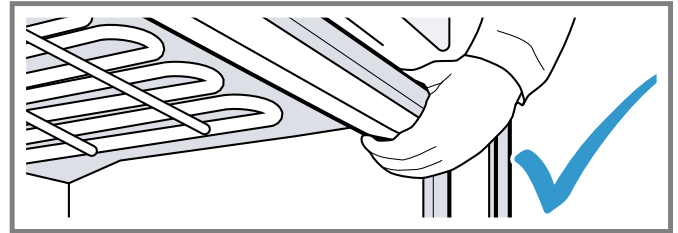
AVIS :

Pour éviter tout risque d'endommagement de la porte du four, ne soulevez, ne poussez ou ne tirez pas la cuisinière en la tenant par la poignée de la porte.

Exigence : Vous avez retiré la porte du four.

1. ⚠ **MISE EN GARDE NE PAS** essayer de soulever l'appareil en tenant l'élément chauffant supérieur du four.

Soulevez la cuisinière hors de la base de l'emballage. Accédez à l'intérieur du haut de la cavité du four pour localiser une zone striée près de l'avant du four.



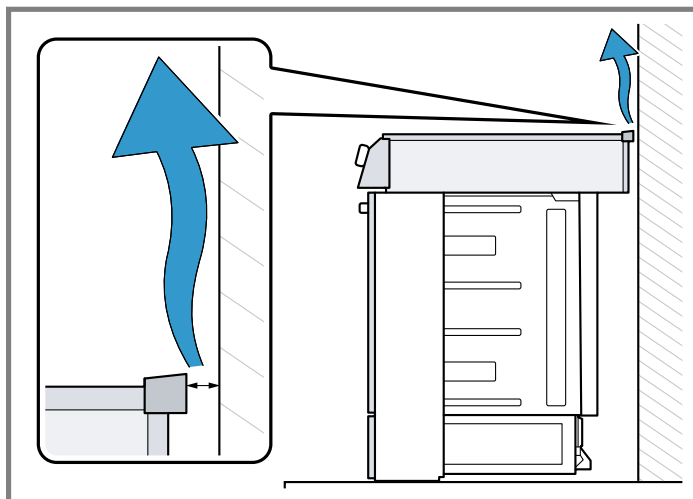
2. Assurez-vous que le disjoncteur est désactivé, puis branchez le cordon de la cuisinière dans la prise électrique.
3. Humidifiez le comptoir et le sol au bas de l'ouverture avec de l'eau savonneuse.
4. Faites glisser la cuisinière dans l'ouverture. Veillez à ne pas endommager les comptoirs, les planchers ou la façade du tiroir réchaud. N'appliquez pas de pression sur la table de cuisson lorsque vous faites glisser la cuisinière en position. Veillez à ne pas pincer le connecteur électrique flexible.
5. Installez la porte du four. → *Page 35*
6. Vérifiez l'installation correcte.
 - La table de cuisson doit reposer légèrement sur le comptoir.
 - Il ne doit y avoir aucun espace entre le comptoir et la table de cuisson; cependant, le poids de la cuisinière ne doit pas reposer sur le comptoir.
 - Regardez sous la cuisinière pour vérifier que les deux pattes arrière reposent solidement sur le sol.
 - Vérifiez également que le pied gauche de la cuisinière est retenu par le support anti-bascule.

8.3 Évitez d'obstruer le flux d'air

⚠ AVERTISSEMENT

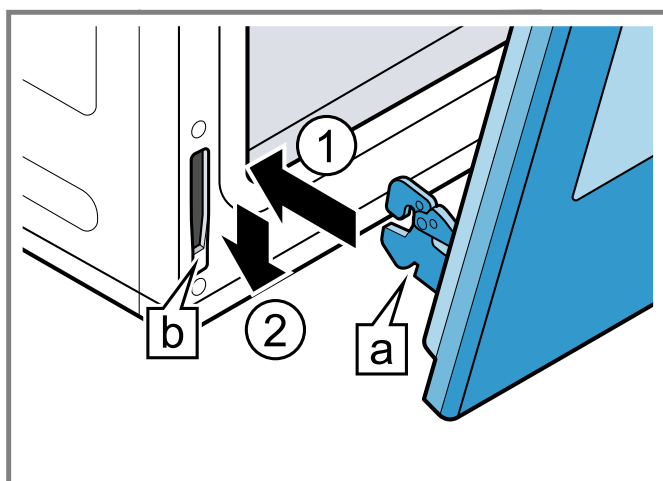
Pour éviter tout risque d'incendie, n'obstruez pas l'espace de ventilation à l'arrière de la cuisinière. Ne pas calfeutrer ou sceller autrement cette ouverture.

Un espacement correct des événements pour les cuisinières à double combustible ou à gaz est automatiquement obtenu lorsque l'arrière de la cuisinière est contre le mur. Si l'espace qui en résulte est obstrué, même temporairement, la cuisinière et / ou les armoires environnantes pourraient surchauffer, créant un risque d'incendie.



8.4 Réinstallation de la porte du four

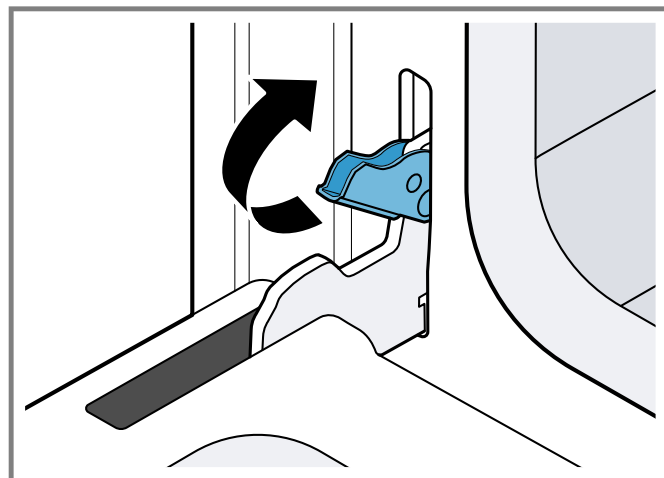
1. Maintenir fermement la porte des deux mains. Saisissez-le de chaque côté, pas par la poignée.
2. Inclinez légèrement la porte vers vous à un angle qui ouvrirait la porte d'environ 7 po (18 cm) en haut.
3. Faites glisser les charnières **a** dans les fentes **b** aussi loin que possible **1** et abaissez la porte vers le bas **2**.



L'angle de la porte peut nécessiter un léger ajustement pour permettre d'engager les charnières convenablement et d'abaisser la porte en place. La porte devrait s'abaisser d'environ 3/4 po (2 cm) et s'arrêter. Si ce n'est pas le cas, les charnières ne se sont pas engagées correctement et la porte pourrait tomber si elle était libérée.

4. Une fois les deux charnières complètement engagées, ouvrez doucement la porte jusqu'à ce qu'elle soit complètement ouverte.

5. Poussez les loquets à levier sur les deux charnières vers le haut et l'avant, jusqu'à ce qu'ils s'enclenchent dans logements, affleurant à l'avant du four.



6. Fermer et ouvrir la porte lentement pour s'assurer qu'elle est correctement et solidement installée.

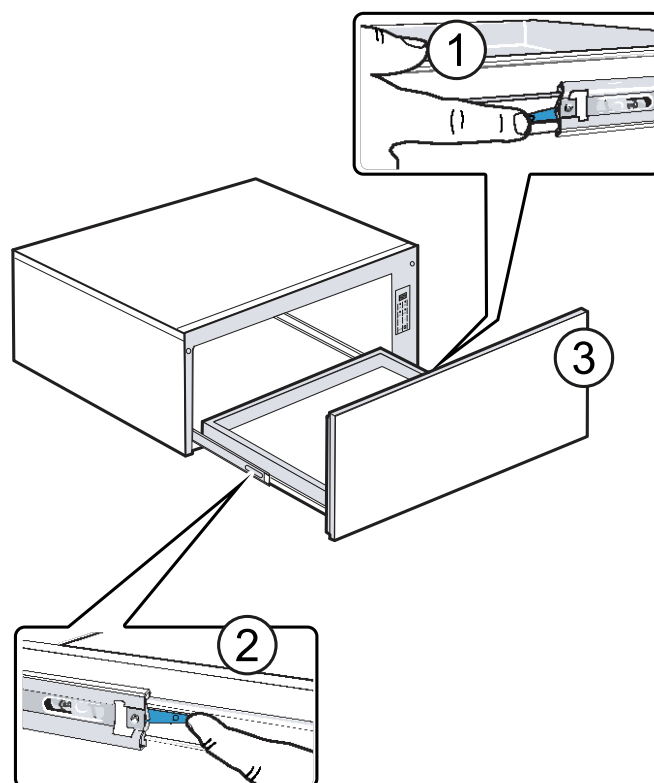
8.5 Retrait du tiroir chauffe-plat du boîtier du tiroir

⚠ AVERTISSEMENT

Pour éviter les brûlures, ne pas retirer le tiroir quand il est chaud.

► S'assurer que le tiroir est vide avant de le retirer.

1. Le tiroir chauffe-plat est doté d'un mécanisme de poussée pour ouvrir (PDF). Appuyez au centre du panneau avant du tiroir chauffant pour l'ouvrir.
2. Tirez le tiroir-réchaud en position complètement ouverte.



3. Appuyez sur le levier de dégagement du tiroir droit **1**.

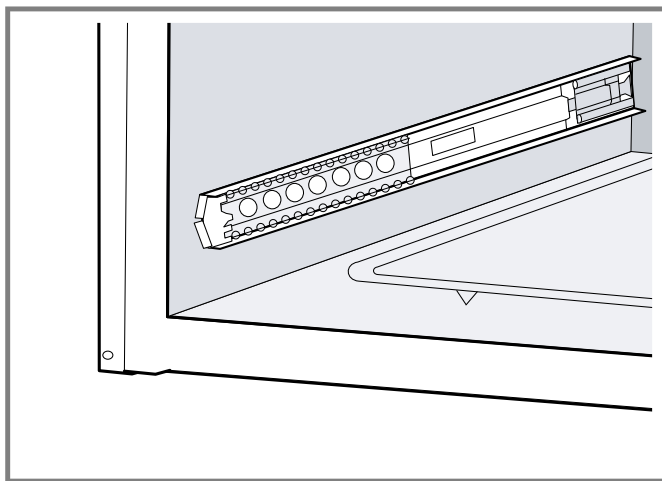
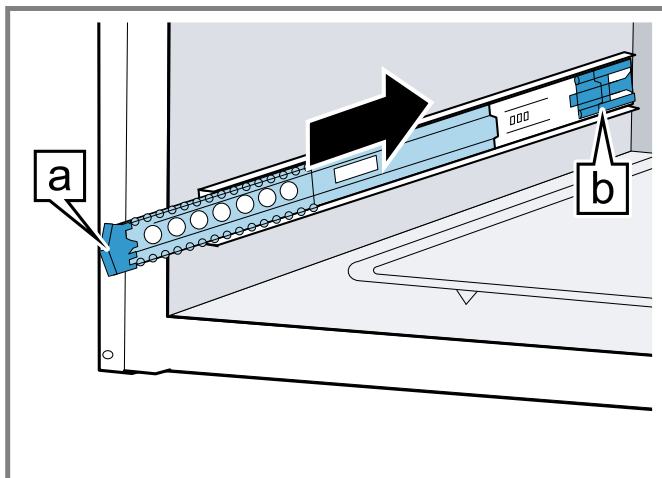
4. Soulevez le levier de dégagement du tiroir gauche ②.
5. Tirez droit et fermement sur le tiroir ③.
6. Rentrer les glissières de l'armoire une fois le tiroir retiré.
7. Saisissez les deux côtés du tiroir et retirez soigneusement le boîtier du tiroir, en tirant droit et de niveau.

Cette étape pourrait nécessiter une force légère à modérée pour retirer complètement le tiroir.

8.6 Réinstallation du tiroir chauffant dans le boîtier du tiroir

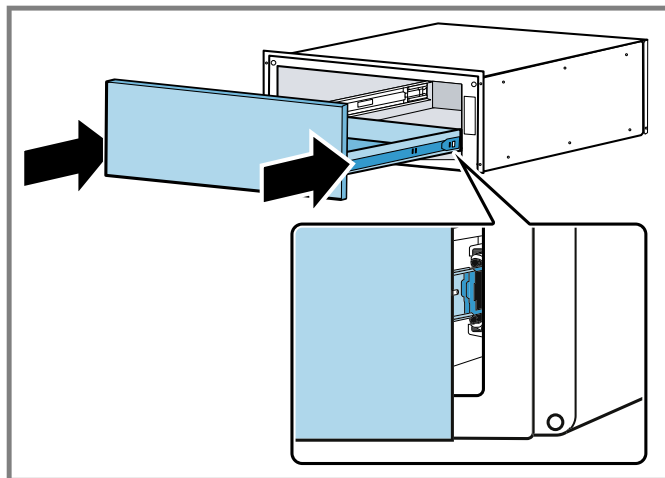
Exigence : Les glissières fixées sur chaque côté du compartiment possèdent deux pièces mobiles : un rail intérieur et un porteur à roulement à billes qui doivent être placés de façon appropriée pour une installation et un alignement adéquats. Un mécanisme de verrouillage visible se trouve également à l'arrière de chaque glissière.

1. Faites glisser le rail intérieur en position verrouillée en le poussant vers l'arrière du boîtier jusqu'à ce qu'il se verrouille en place.

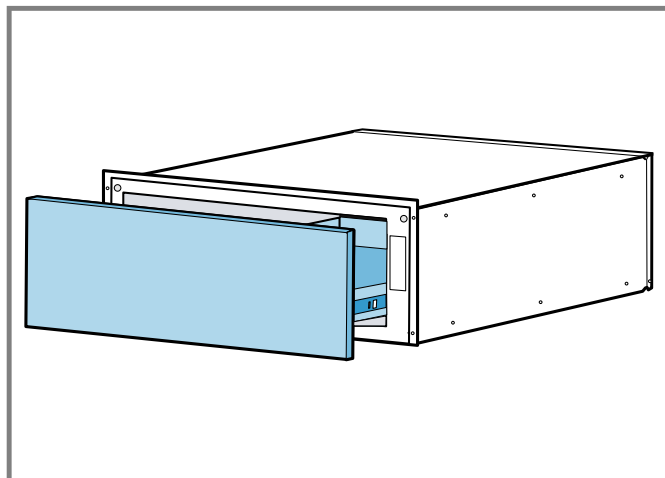


Remarque : Une force modérée poussant sur le mécanisme de verrouillage du porte-bille en plastique noir est nécessaire pour activer le verrou. Lorsque le tiroir est installé, le mécanisme de verrouillage empêche le tiroir de revenir en position ouverte.

2. Placez le tiroir chauffe-plat devant le boîtier du tiroir. Alignez le rail avec la pointe en plastique du rail sur la glissière du porte-billes.



3. Maintenez l'assemblage du tiroir de niveau et d'équerre au boîtier et insérez doucement le tiroir dans le boîtier, jusqu'à ce qu'une légère augmentation de la résistance se fasse sentir à la position approximative indiquée ci-dessous.



Remarques

- Pour assurer un alignement adéquat des roulements à billes, une légère secousse de gauche à droite du tiroir pourrait être nécessaire.
 - Si une force supérieure à une force modérée est requise pour insérer le tiroir, retirez le tiroir et répétez la procédure d'installation.
4. Poussez le tiroir à fond. Vous devriez entendre un déclic lorsque le tiroir est fermé de façon appropriée, ce qui signifiera que le tiroir est également verrouillé en position fermée.

9 Opération d'essai



Vérifiez si votre appareil fonctionne correctement après avoir terminé les étapes d'installation.


1. Mettez sous tension au disjoncteur.
2. Pour tester le four, sélectionnez le mode **Bake**. Reportez-vous au manuel d'utilisation pour obtenir des instructions d'utilisation détaillées.
3. Vérifiez que l'éclairage du four s'allume et que le four se met à préchauffer.

4. Pour tester le verrouillage de la porte, sélectionnez le mode **Self Clean**. Confirmez que la porte se verrouille lorsque l'icône de verrouillage s'affiche à l'écran.

9.1 Test des brûleurs de cuisinière

Chaque brûleur doit être testé pour un éclairage approprié et des caractéristiques de flamme appropriées au niveau de puissance le plus bas et le plus élevé.

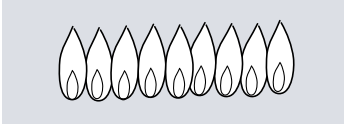
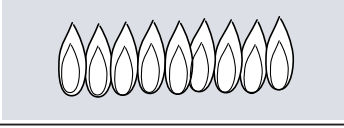
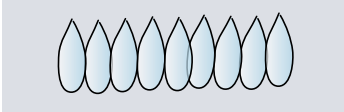
1. Testez tous les brûleurs de la cuisinière pour un allumage correct.
 - Appuyez sur le bouton et tournez-le dans le sens inverse des aiguilles d'une montre jusqu'au symbole d'allumage .
 - Vérifiez que l'allumeur / module d'étincelle clique.
 - Une fois que l'air a été purgé des conduites d'alimentation, vérifiez que le brûleur s'allume dans les quatre (4) secondes. Lorsque le brûleur s'allume, remettez le bouton en position d'arrêt.
 - Si l'un des brûleurs ne s'allume pas, ne poursuivez pas le test. Communiquez avec le Service après-vente.
2. Testez tous les brûleurs de la cuisinière pour les caractéristiques de la flamme sur le réglage le plus bas.
 - Appuyez sur le bouton et tournez-le dans le sens inverse des aiguilles d'une montre jusqu'au symbole d'allumage . Maintenez-le enfoncé jusqu'à ce que le brûleur s'allume.

- Tournez rapidement le bouton sur le réglage le plus bas.
 - Vérifiez que la flamme a une hauteur minimale d'environ 1/4 po (6 mm).
 - Vérifiez que la flamme est stable. La flamme ne doit pas s'éteindre, se soulever ou se détacher du brûleur. Il doit se propager ou entourer tout le brûleur.
 - Vérifiez que la flamme est de la bonne couleur.
 - "Caractéristiques de la flamme", Page 37
 - Si la flamme s'éteint, ne se propage pas correctement ou est trop grande, contactez le service client.
3. Testez tous les brûleurs de cuisinière pour les caractéristiques de la flamme sur le réglage le plus élevé.
 - Appuyez sur le bouton et tournez-le dans le sens inverse des aiguilles d'une montre jusqu'au symbole d'allumage . Maintenez-le enfoncé jusqu'à ce que le brûleur s'allume.
 - Tournez le bouton sur le réglage le plus élevé.
 - Vérifiez que la flamme est stable. La flamme ne doit pas s'éteindre, se soulever ou se détacher du brûleur. Il doit se propager ou entourer tout le brûleur.
 - Vérifiez que la flamme est de la bonne couleur.
 - "Caractéristiques de la flamme", Page 37
 - Si la flamme brûle en jaune ou ne se propage pas correctement, contactez le service à la clientèle.

9.2 Caractéristiques de la flamme

La couleur de la flamme vous indique si l'alimentation en gaz est correctement réglée.

Remarque : Laisser l'appareil fonctionner pendant 4 à 5 minutes avant d'évaluer la flamme. Des stries jaunes sont normales lors de la première mise en service.

Flamme	Image	Mesure
Complètement ou principalement jaune		Vérifiez que le régulateur est réglé pour le bon carburant. Recommencez le test après le réglage.
Pointes jaunes sur les cônes extérieurs :		Normales pour un gaz de pétrole liquéfié
Bleu doux		Normales pour le gaz naturel

10 Service à la clientèle

Nous nous efforçons de trouver une solution qui vous convient en espérant ainsi vous épargner les visites inutiles par un technicien.

Lors de toute réparation réalisée dans le cadre de la garantie, nous nous assurons que votre appareil est réparé avec des pièces de rechange d'origine par un technicien dûment formé et agréé. Nous utilisons exclusivement des pièces de rechange d'origine lors des réparations.

Pour plus d'informations sur la durée et les conditions de la garantie dans votre pays, consultez nos modalités de garantie auprès de votre détaillant ou sur notre site Web.

Si vous contactez le service à la clientèle, indiquez le numéro de modèle (E-Nr.) et le numéro de fabrication (FD) de l'appareil.

USA:

1-800-944-2904

www.bosch-home.com/us/owner-support/get-support

www.bosch-home.com/us/shop

CA:

1-800-944-2904

www.bosch-home.ca/en/service/get-support

www.bosch-home.ca/en/service/cleaners-and-accessories

10.1 Numéro de modèle (E-Nr.) et numéro de fabrication (FD)

Le numéro de modèle (E-Nr.) et le numéro de fabrication (FD) sont indiqués sur la plaque signalétique de l'appareil. Pour retrouver rapidement les données de votre appareil et le numéro de téléphone du service à la clientèle, n'hésitez pas à les recopier ailleurs.

10.2 Emplacement de la plaque signalétique

Référez-vous à cette section pour voir où se trouve la plaque signalétique de votre appareil.

- à l'arrière de la façade du tiroir. Ouvrir le tiroir pour la repérer.

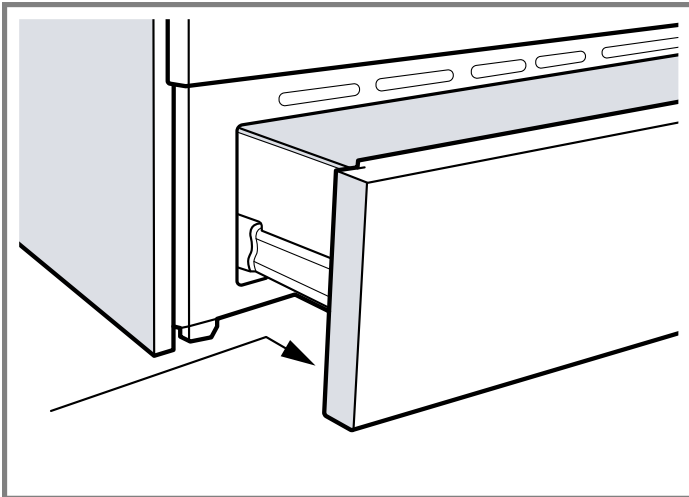


Tabla de contenidos

1 INSTRUCCIONES DE SEGURIDAD	
 IMPORTANTES.....	40
1.1 Definiciones de seguridad	41
1.2 Indicaciones generales	41
1.3 Instrucciones generales de seguridad.....	41
1.4 Seguridad de manejo del aparato	42
1.5 Lugar de instalación	42
1.6 Códigos y normas de seguridad.....	42
1.7 Seguridad eléctrica	42
1.8 Seguridad de los aparatos de gas.....	43
1.9 Instalación con gas propano	43
1.10 Conversión a gas licuado del petróleo	44
1.11 Recomendaciones de ventilación.....	44
1.12 Instalación a gran altitud	44
1.13 Advertencias en virtud de la Proposición 65 del estado de California	44
1.14 Transporte	44
2 Antes de empezar	45
2.1 Partes incluidas.....	45
2.2 Herramientas y partes necesarias.....	45
2.3 Requisitos de potencia y de conexión a tierra	45
2.4 Requisitos de gas	45
3 Retirar el embalaje	45
4 Requisitos de instalación	46
4.1 Medidas del aparato.....	46
5 Antes de la instalación	46
5.1 Instalar la placa de fijación antivuelco	46
5.2 Retirar la puerta del horno.....	47
6 Conexión eléctrica	48
6.1 Requisitos eléctricos	48
6.2 Conexión eléctrica para modelos de gas.....	48
6.3 Conexión eléctrica para modelos de doble combustible.....	48
7 Conectar el suministro de gas	51
7.1 Instalación de un conducto metálico flexible de gas.....	52
7.2 Instalación de una conexión de conducto rígido.....	52
8 Instalación del electrodoméstico en los gabinets	53
8.1 Ajustar las patas de nivelación.....	53
8.2 Deslizar el electrodoméstico hacia la apertura	53
8.3 Evitar la obstrucción del flujo de aire.....	54
8.4 Reinstalación de la puerta del horno	54
8.5 Retirada del cajón calentaplatos de la carcasa del cajón	55
8.6 Reinstalación del cajón calentaplatos en la carcasa del cajón	55
9 Comprobación del funcionamiento	56
9.1 Comprobación de los quemadores del aparato	56
9.2 Características de la llama	57
10 Servicio de atención al cliente.....	57
10.1 Número de modelo (E-Nr.) y número de fabricación (FD)	57
10.2 Ubicación de la placa de características del aparato	57



INSTRUCCIONES DE SEGURIDAD IMPORTANTES

LEA Y CONSERVE ESTAS INSTRUCCIONES

Leer atentamente todas las instrucciones antes de proceder con el uso. Si se toman estas precauciones, se reducirán los riesgos de descargas eléctricas, incendios y lesiones personales. Al utilizar aparatos de cocina, se deben tomar precauciones de seguridad básicas, incluidas las que se detallan en las páginas siguientes.

⚠ ADVERTENCIA: Si la información en estas instrucciones no se sigue con precisión, se puede producir un incendio o una explosión ocasionando daños a la propiedad, lesiones a las personas o incluso la muerte.

- No almacene ni use gasolina u otros vapores y líquidos inflamables en la proximidad de este aparato o cualquier otro.
- **QUÉ HACER SI DETECTA OLOR A GAS**
 - No trate de encender ningún aparato.
 - No toque ningún interruptor eléctrico.
 - No utilice ningún teléfono en su edificio.
 - Llame inmediatamente a su proveedor de gas desde un teléfono vecino. Siga las instrucciones del proveedor de gas.
 - Si no puede contactar a su proveedor de gas, comuníquese con el departamento de bomberos.
- La instalación y el servicio deben ser llevados a cabo por un instalador calificado, agencia de servicio o el proveedor de gas.

⚠ ADVERTENCIA:

No operar nunca la zona de cocción de la superficie de este electrodoméstico sin supervisión.

- Si no se observa esta advertencia, se podría producir una explosión o un riesgo de quemaduras que podría dar lugar a daños materiales, personales o incluso la muerte.
- Si ocurriera un incendio, mantenerse alejado del aparato y ponerse en contacto de inmediato con los bomberos.

**NO INTENTAR EXTINGUIR CON AGUA
UN INCENDIO CAUSADO POR ACEITE/GRASA**



INSTRUCCIONES DE SEGURIDAD IMPORTANTES

LEA Y CONSERVE ESTAS INSTRUCCIONES

1.1 Definiciones de seguridad

Aquí puede encontrar explicaciones de las palabras de señal de seguridad utilizadas en este manual.

⚠ ADVERTENCIA

Esto indica que pueden producirse la muerte o heridas graves si no se cumple con esta advertencia.

⚠ PRECAUCIÓN

Esto indica que pueden producirse heridas leves o moderadas si no se cumple con esta advertencia.

AVISO:

Esto indica que pueden producirse daños en el aparato o en los bienes si no se cumple con este aviso.

Nota: Esto alerta sobre información o sugerencias importantes.

1.2 Indicaciones generales

- Lea atentamente estas instrucciones.
- Guarde las instrucciones y la información del producto para consultas posteriores o para el próximo propietario.
- El aparato no debe conectarse en caso de haber sufrido daños durante el transporte.

1.3 Instrucciones generales de seguridad

IMPORTANTE: CONSERVAR ESTAS INSTRUCCIONES PARA QUE PUEDA USARLAS EL INSPECTOR DE ELECTRICIDAD LOCAL.

INSTALADOR: DEJAR ESTAS INSTRUCCIONES DE INSTALACIÓN JUNTO A LA UNIDAD, PARA EL PROPIETARIO.

PROPIETARIO: CONSERVAR ESTAS INSTRUCCIONES PARA FUTURAS REFERENCIAS.

ADVERTENCIA

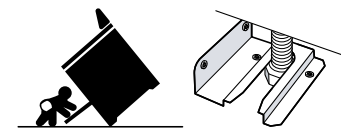
Si no se sigue con exactitud la información de este manual, se puede producir un incendio o una descarga eléctrica que podrían causar daños materiales o lesiones personales.

No reparar, reemplazar ni retirar ninguna parte del aparato a menos que se recomiende específicamente en los manuales. La instalación, el servicio técnico o el mantenimiento incorrectos pueden causar lesiones o daños materiales.

- ▶ Consultar este manual como guía.
- ▶ Cualquier otra labor de mantenimiento debe de ser efectuada por un proveedor de servicios de mantenimiento autorizado.

ADVERTENCIA

¡PELIGRO DE VUELCO! Un adulto o un niño puede hacer que la estufa vuelque y estar así en peligro de muerte.



- ▶ Comprobar que la placa de fijación antivuelco esté firmemente instalada. Asegurarse de que la placa de fijación antivuelco esté conectada cada vez que la estufa se cambie de ubicación.
- ▶ No manejar el electrodoméstico sin la placa de fijación antivuelco colocada. Si no se siguen las instrucciones de este manual pueden producirse muertes o graves quemaduras en niños y adultos.
- ▶ Comprobar que la instalación sea la adecuada y que se use la placa de fijación antivuelco. Inclinar con cuidado el electrodoméstico jalando hacia delante desde la parte de atrás para garantizar que la placa de fijación antivuelco sujete las patas del electrodoméstico evitando así que vuelque. El electrodoméstico no debería moverse más de 2.5 cm (1").
- ▶ Es responsabilidad del propietario de la vivienda asegurarse de que la placa de fijación antivuelco esté instalada.

ADVERTENCIA

Desconectar el suministro eléctrico y el gas antes de proceder al mantenimiento.

No modificar ni alterar la construcción del aparato.

- ▶ Por ejemplo, no retirar las patas de nivelación, los paneles, las cubiertas para cables ni los tornillos o soportes antivuelco.



INSTRUCCIONES DE SEGURIDAD IMPORTANTES

LEA Y CONSERVE ESTAS INSTRUCCIONES

ADVERTENCIA

Retirar toda la cinta y el embalaje antes de usar el electrodoméstico.

- ▶ Desechar el embalaje de manera respetuosa con el medio ambiente.
- ▶ No dejar nunca que los niños jueguen con el material de embalaje.

1.4 Seguridad de manejo del aparato

ADVERTENCIA



La unidad pesa mucho y se requieren al menos dos personas o un equipo adecuado para trasladarla.

- ▶ No levantar el aparato agarrándolo del asa de la puerta.
- ▶ Para un manejo y una instalación más cómodos, extraer la puerta. Véanse las instrucciones a tal efecto en el presente manual.

ADVERTENCIA



Las superficies ocultas pueden tener bordes afilados.

- ▶ Proceder con cuidado al intentar sujetar el aparato por la parte trasera o desde abajo.
- ▶ Usar guantes para evitar cortes en los dedos por los bordes afilados durante la instalación.

1.5 Lugar de instalación

Para eliminar el riesgo de sufrir quemaduras o que se produzca un incendio al alcanzar las unidades cuya superficie esté caliente, se deberá evitar colocar gabinetes de almacenamiento encima de las unidades de la superficie. Si va a haber gabinetes de almacenamiento, el riesgo puede reducirse colocando una campana que se proyecte horizontalmente como mínimo 12.7 cm (5") más allá de la base del gabinete.

Verificar que los gabinetes que se encuentren encima del electrodoméstico tengan, como máximo, 330 mm (13") de profundidad.

1.6 Códigos y normas de seguridad

Este aparato cumple con la última versión de una o varias de las siguientes normas:

- CAN/CSA-C22.2 n.º 61: electrodomésticos de cocción

- UL 858: estufas eléctricas de uso doméstico
- ANSI Z21.1/CSA 1.1: Electrodomésticos de cocción con gas
- La instalación debe realizarse cumpliendo las normas locales o, en ausencia de estas, conforme al Código Nacional de Combustibles Gaseosos (ANSI Z223.1/ NFPA 54) o, si se lleva a cabo en Canadá, al Código de Instalación de Gas Natural y Propano (CSA B149.1).

Es responsabilidad del propietario y del instalador determinar si son aplicables otros requisitos y/o normas en instalaciones específicas.

1.7 Seguridad eléctrica

- **Instalador:** es preciso mostrar al propietario la ubicación del breaker del circuito o del fusible. Marcarla para recordarla más fácilmente.
- Si el Código Nacional Eléctrico (o el Código Eléctrico Canadiense) así lo exige, este aparato debe instalarse con un circuito derivado dedicado por separado.
- Las normativas locales varían. El instalador es responsable de asegurarse de que la instalación, las conexiones y la toma de tierra cumplan con todas las normativas aplicables. El fabricante no se hace responsable de los problemas asociados a un montaje incorrecto de este producto.
- Asegurar que este aparato sea instalado y conectado a tierra debidamente por un técnico calificado de acuerdo con la última edición del Código Nacional Eléctrico establecido por la norma 70 del Instituto Nacional de Normalización Estadounidense (American National Standards Institute, ANSI)/Asociación Nacional de Protección contra Incendios (National Fire Protection Association, NFPA).
- Utilizar únicamente kits de cables de alimentación eléctrica aptos para este aparato y marcado «For use with ranges» (para uso con electrodomésticos) en la etiqueta.
- Para obtener más información, consultar la placa de características.
→ "Ubicación de la placa de características del aparato", Página 57



INSTRUCCIONES DE SEGURIDAD IMPORTANTES

LEA Y CONSERVE ESTAS INSTRUCCIONES

ADVERTENCIA

Antes de conectar o encender la fuente de alimentación eléctrica, asegurarse de que todos los controles se encuentren en la posición OFF (Apagado).

Para los aparatos provistos de cable y enchufe, no cortar ni retirar la terminal de conexión a tierra;

- ▶ se requiere para enchufarla en un receptáculo adecuado con conexión a tierra para evitar descargas eléctricas.
- ▶ Si se tienen dudas acerca de si el enchufe de la pared tiene una conexión a tierra adecuada, el cliente debería pedirle a un electricista calificado que lo compruebe.



PELIGRO DE DESCARGA ELÉCTRICA

- ▶ Desconectar la alimentación eléctrica antes de proceder a la instalación o al mantenimiento. Antes de encender la alimentación, es preciso asegurarse de que todos los controles estén en la posición OFF (apagado).
- ▶ NO quitar las conexiones.
- ▶ NO usar un cable de extensión.
- ▶ Una puesta a tierra incorrecta puede causar una descarga eléctrica.
- ▶ No seguir estas instrucciones puede producir la muerte, provocar un incendio o una descarga eléctrica.

Antes de enchufar un cable eléctrico, asegurarse de que todos los controles se encuentren en la posición OFF (apagado).

Antes de realizar la instalación, desconectar la alimentación eléctrica en el panel de servicio.

- ▶ Bloquear el panel de servicio para impedir que se conecte accidentalmente la alimentación eléctrica.

INSTRUCCIONES PARA LA CONEXIÓN A TIERRA

- ▶ Este aparato debe estar conectado a tierra.
- ▶ La conexión a tierra reduce el riesgo de descargas eléctricas, ya que proporciona una vía de escape de la corriente eléctrica en caso de cortocircuito.
- ▶ Asegurarse de que el aparato esté correctamente instalado y conectado a tierra por un técnico calificado.
- ▶ La instalación, las conexiones eléctricas y la conexión a tierra deben cumplir con todas las normas aplicables.

1.8 Seguridad de los aparatos de gas

Requisitos para el suministro de gas:

- Instalar una llave de cierre de gas cerca del aparato. Tiene que de ser de fácil acceso a ella en caso de emergencia.
- El instalador debe realizar una prueba de fugas conforme a las instrucciones de este manual.
- El aparato y su llave de cierre individual deben estar desconectados del sistema de tuberías de suministro de gas durante cualquier prueba de presión con presiones superiores a ½ psi (3.5 kPa).
- Se debe usar un conducto flexible metálico o una tubería de metal fija para conectar el gas al aparato. Si no se puede utilizar tubería de metal para el gas, se debe consultar a un electricista certificado local o los códigos eléctricos locales para realizar una conexión a tierra correcta.
- La instalación de aparatos diseñados para ser instalados en casas prefabricadas (móviles) deben cumplir con la Norma de Seguridad y Construcción de Casas Prefabricadas, Título 24 CFR, Parte 3280 [antigua Norma Federal de Seguridad y Construcción de Casas Móviles, Título 24, HUD {Parte 280}] o con los códigos locales donde corresponda.
- La instalación de aparatos diseñados para ser instalados en casas prefabricadas (móviles) deben cumplir con la Norma de Seguridad y Construcción de Casas Prefabricadas, Título 24 CFR, Parte 3280 [antigua Norma Federal de Seguridad y Construcción de Casas Móviles, Título 24, HUD {Parte 280}] o con los códigos locales donde corresponda.

ADVERTENCIA DE SEGURIDAD IMPORTANTE: La combustión del gas combustible para cocinar genera algunos subproductos que figuran en la lista de sustancias catalogadas en el estado de California como cancerígenas o que causan daños reproductivos. Para minimizar la exposición a dichas sustancias, utilizar siempre este aparato de acuerdo con las instrucciones que contiene este folleto y procurar una buena ventilación.

1.9 Instalación con gas propano

- El tanque de gas propano debe estar equipado con su propio regulador de alta presión. Además, también se debe utilizar el regulador suministrado con esta unidad.



INSTRUCCIONES DE SEGURIDAD IMPORTANTES

LEA Y CONSERVE ESTAS INSTRUCCIONES

- El aparato se envía de fábrica para usarlo con gas natural. Tiene que adaptarse para poder utilizarse con gas propano. Esta conversión tiene que realizarla un técnico calificado o un instalador certificado.
- Para su uso con gas propano, el aparato deberá convertirse de acuerdo con las instrucciones de conversión de LP.

Para instalaciones en Massachusetts

- La instalación debe hacerla un contratista, plomero o instalador de gas calificado o con licencia del estado, provincia o región donde se vaya a instalar este aparato.
- La llave de cierre tiene que ser una llave de gas en T.
- El conector de gas flexible debe tener una longitud no superior a 36 pulgadas.

Instalador: mostrar al propietario dónde está situada la llave para cerrar el gas.

1.10 Conversión a gas licuado del petróleo

ADVERTENCIA

Si la instalación de la estufa no es realizada por un instalador o electricista calificado, pueden producirse lesiones personales o incluso la muerte por descarga eléctrica. Toda incorporación, modificación o conversión que pueda ser necesaria para que el aparato cumpla satisfactoriamente con las necesidades de uso deberá ser llevada a cabo por un técnico calificado.

Este modelo de estufa de gas está diseñado para permitir la conversión a LP por parte de un técnico de servicio cualificado.

- Antes de instalar el kit, asegurarse de seguir cuidadosamente las instrucciones de montaje de LP.

1.11 Recomendaciones de ventilación

Recomendamos encarecidamente instalar una campana extractora de ventilación encima de este aparato. La campana extractora debe instalarse de acuerdo con las instrucciones suministradas con ella.

ADVERTENCIA

El aparato no debe instalarse con un sistema de ventilación que expulse aire hacia abajo, en dirección a los quemadores. Este tipo de ventilación podría causar

problemas de ignición y combustión en el aparato de cocción de gas, con lo que se podrían producir lesiones u operación indeseada.

1.12 Instalación a gran altitud

Ponerse en contacto con el Servicio de Asistencia Técnica para usarlo en altitudes superiores a 5,000 ft (1524 m) sobre el nivel del mar.

1.13 Advertencias en virtud de la Proposición 65 del estado de California

Este producto puede contener un químico que el Estado de California reconoce como potencialmente cancerígeno o causante de daños reproductivos. Por tanto, su producto debe llevar en su embalaje la siguiente etiqueta de conformidad con la legislación de California:

ADVERTENCIA EN VIRTUD DE LA PROPOSICIÓN 65 DEL ESTADO DE CALIFORNIA:

⚠ ADVERTENCIA

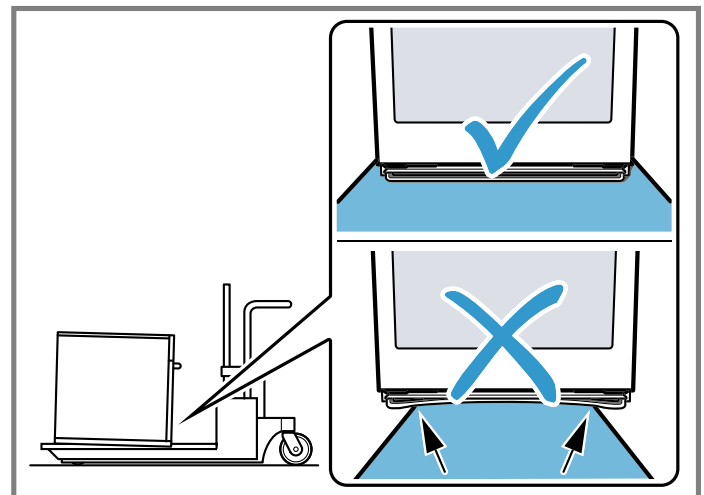
Cáncer y daño reproductivo - www.P65Warnings.ca.gov

1.14 Transporte

Tomar las siguientes precauciones al transportar el aparato.

AVISO:

Para evitar dañar el aparato, emplear el método de transporte que se muestra en la imagen siguiente.



2 Antes de empezar

Leer estas instrucciones antes de comenzar la instalación del aparato.

2.1 Partes incluidas

Después de desembalar el aparato, verifique que todas las piezas no presenten daños ocasionados durante el transporte, así como que el volumen de suministro esté completo.

- Placa de fijación antivuelco
- 2 tornillos para madera
- 2 tornillos para concreto sin taquetes o anclaje
- Conectores para terminales para uso en instalaciones conectadas directamente a la red (no obligatorios para instalaciones en Canadá)

2.2 Herramientas y partes necesarias

Preparar los siguientes accesorios y herramientas antes de comenzar la instalación del aparato.

Herramientas

- Lápiz
- Cinta métrica
- Nivel
- Desarmador Torx T-20
- Desarmador Phillips
- Guantes de seguridad
- Gafas de seguridad
- Llave inglesa de 1¼"
- Agua jabonosa
- Una tela o cartón para proteger el suelo
- Taladro y broca de albañilería de 3/16" para tornillos para concreto
- Llave de tubo
- Cinta de teflón (clasificada para gas)
- Solución para pruebas de fugas de gas
- Conducto de suministro de gas (mín. ½" NPT)
- Llave de cierre de gas

Partes

- Solo modelos de doble combustible: kit de cable de alimentación eléctrica de 40 o 50 A con protección para cables, en función de los códigos locales (no obligatorio para instalaciones en Canadá; el cable viene preinstalado de fábrica)
- 2 tornillos y 2 anclajes para placa de fijación antivuelco
- El estilo variará según la superficie de sujeción

Piezas adicionales requeridas para instalaciones conectadas directamente a la red (solo modelos de doble combustible)

- Conducto flexible
- Llave de torque

2.3 Requisitos de potencia y de conexión a tierra

El contacto para el enchufe debe incorporar una conexión a tierra adecuada de conformidad con todas las normas aplicables.

2.4 Requisitos de gas

ADVERTENCIA

Asegurarse de que la llave de cierre y todos los controles del quemador estén en posición **OFF** antes de comenzar con la instalación.

3 Retirar el embalaje

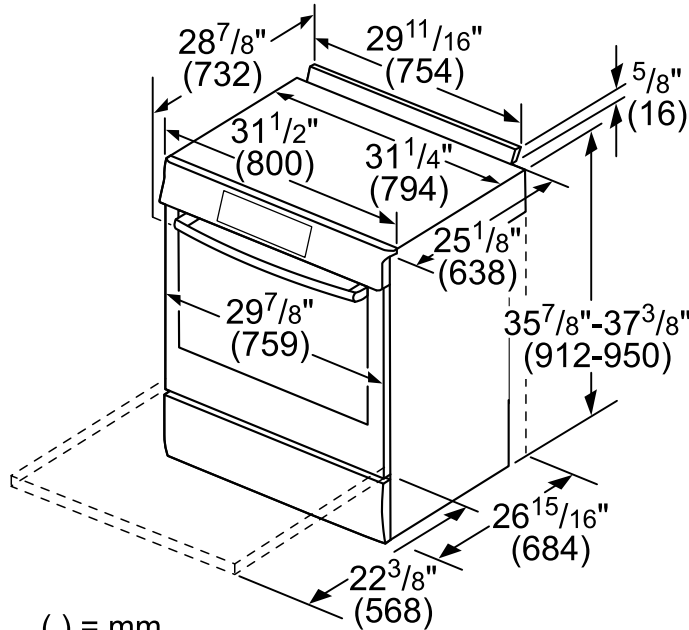
1. Cortar los flejes de la caja.
2. Abrir la parte superior del embalaje de cartón y retirar el marco de madera de la parte superior.
3. Colocar la unidad delante del gabinete en el que se vaya a instalar. La unidad debe estar alineada con el hueco del gabinete.
La unidad debe permanecer en la base de embalaje hasta que esté preparada para colocarse en el hueco del gabinete.
4. Retirar la caja de cartón; para ello, levantarla y extraerla de la unidad.
Alternativamente, es posible cortar con cuidado por la línea de corte del lateral trasero de la caja de cartón con una cuchilla de longitud inferior a 20 mm (3/4").
5. Retirar todos los embalajes de protección internos, rejillas, accesorios y manuales de instrucciones del interior de la cavidad del horno.

4 Requisitos de instalación

Leer las presentes instrucciones para preparar el espacio de instalación del aparato.

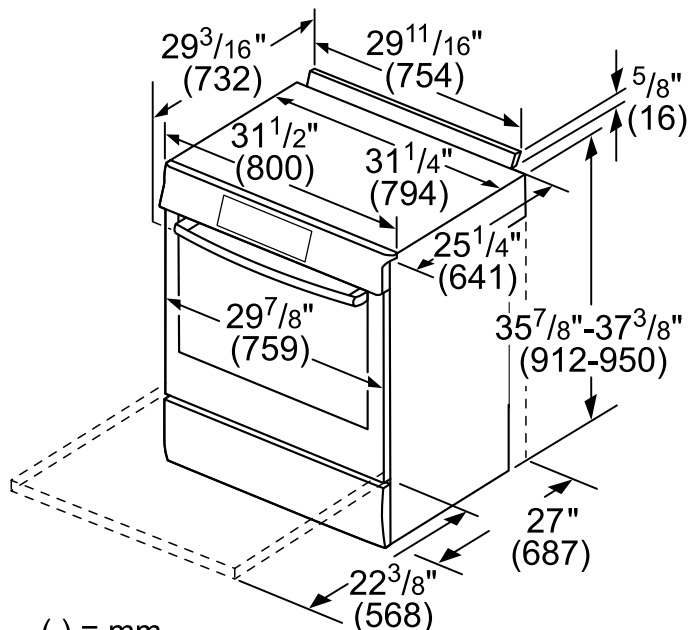
4.1 Medidas del aparato

Aparatos de doble combustible para empotrar



() = mm

Aparatos de gas para empotrar



() = mm

5 Antes de la instalación

Llevar a cabo los siguientes pasos para preparar el aparato para su instalación.

5.1 Instalar la placa de fijación antivuelco

El electrodoméstico puede inclinarse hacia adelante, cosa que podría causar lesiones y daños, si la placa de fijación antivuelco no está bien instalada. No manejar el electrodoméstico sin la placa de fijación antivuelco colocada.

⚠ ADVERTENCIA

Un adulto o un niño puede hacer que la estufa vuelque y causar así peligro de muerte.

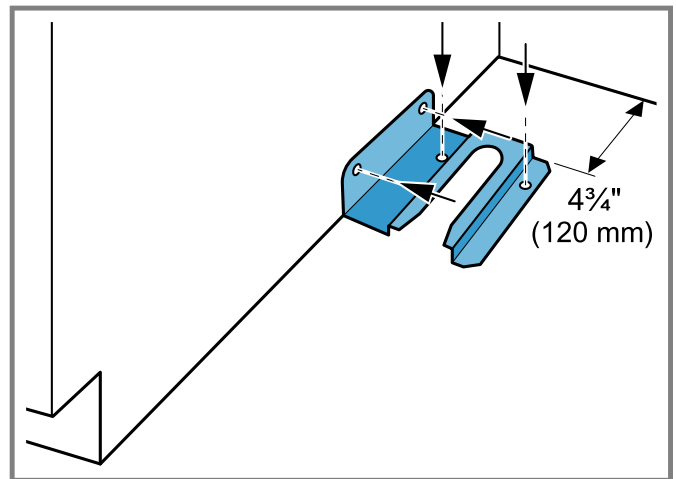
- ▶ Comprobar que la placa de fijación antivuelco esté firmemente instalada. Asegurarse de que la placa de fijación antivuelco esté conectada al mover la cocina.

⚠ ADVERTENCIA

PELIGRO DE DESCARGA ELÉCTRICA

- ▶ Extremar las precauciones a la hora de taladrar agujeros en la pared o en el piso, ya que podría haber cables eléctricos ocultos.
- ▶ Identificar los circuitos eléctricos que pudieran resultar afectados por la instalación de la placa de fijación antivuelco y, a continuación, desconectar la corriente que va a estos circuitos.
- ▶ No seguir estas instrucciones puede producir una descarga eléctrica u otras lesiones personales.

1. Colocar la placa de fijación, como se muestra, en la esquina posterior izquierda de la abertura de instalación, entre la pared trasera y la pared izquierda del gabinete.



Nota: La superficie de sujeción debe estar asegurada. Cuando se monte en la pared del gabinete, comprobar que los tornillos entren en contacto con el marco del gabinete. No utilizar un bloque o separador para rellenar el espacio entre la placa de fijación antivuelco y la pared del gabinete. No intentar anclarlo en paredes de yeso.

2. Asegurar la placa con dos tornillos al piso o a la base de la pared del gabinete. Dependiendo del piso o el material del gabinete, utilizar tornillos para madera o concreto sin anclaje (incluidos). Los tornillos para concreto requieren el uso de una broca de concreto de $3/16$ ".

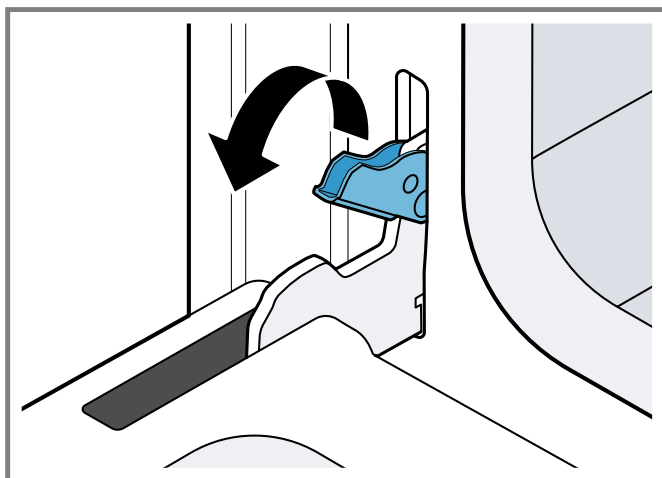
5.2 Retirar la puerta del horno

⚠ **ADVERTENCIA**

Si no se siguen las presentes instrucciones para retirar la puerta del horno, existe un riesgo de sufrir lesiones personales o dañar el producto.

- ▶ Asegurarse de que el horno esté frío y de que se haya desconectado el aparato de la corriente eléctrica antes de retirar la puerta. De no hacerlo, se puede producir una descarga eléctrica o quemaduras.
- ▶ La puerta del horno es pesada y algunas de sus partes son frágiles. Usar las dos manos para extraer la puerta del horno.
- ▶ La puerta frontal es de cristal. Es preciso manejarla con cuidado para evitar que se rompa.
- ▶ Agarrar solo el lateral de la puerta del horno. No se debe agarrar por el asa; podría resbalar en la mano y causar daños o lesiones. Si no se agarra la puerta del horno con firmeza y adecuadamente, podrían producirse lesiones personales o daños en el producto.
- ▶ Para evitar lesiones al cerrarse bruscamente la placa de fijación de la bisagra, asegurarse de que las dos palancas estén firmemente colocadas antes de quitar la puerta.
- ▶ No forzar la apertura ni el cierre de la puerta; se podría deteriorar la bisagra y se correría el riesgo de sufrir daños o lesiones.
- ▶ No dejar la puerta extraída sobre objetos afilados o puntiagudos, ya que se podría romper el cristal. Colocarla sobre una superficie plana y suave para que no se caiga.

1. Abrir la puerta del horno hasta una posición completamente abierta.
2. Voltear las palancas de las bisagras hacia sí mismo.

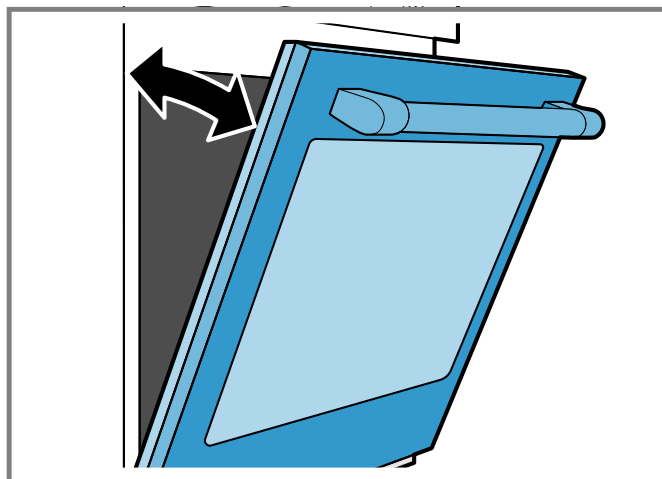


En caso necesario, utilizar una herramienta, como un desarmador, para separar con cuidado la parte superior de la palanca fuera de la carcasa. Tener cuidado de evitar rayar la carcasa.

3. Poner ambas bisagras móviles de la puerta en su posición más baja posible. Las bisagras izquierda y derecha de la puerta difieren ligeramente, pero funcionan de la misma forma.

4. **⚠ PRECAUCIÓN** Seguir las instrucciones siguientes para evitar que el pestillo se cierre de repente; si esto ocurriese, existe el riesgo de pellizcarse o sufrir cortes en la mano.

Cerrar la puerta del horno hasta que se enganche en las palancas de tope de la bisagra, lo que bloquea las bisagras en el ángulo adecuado para extraer la puerta.

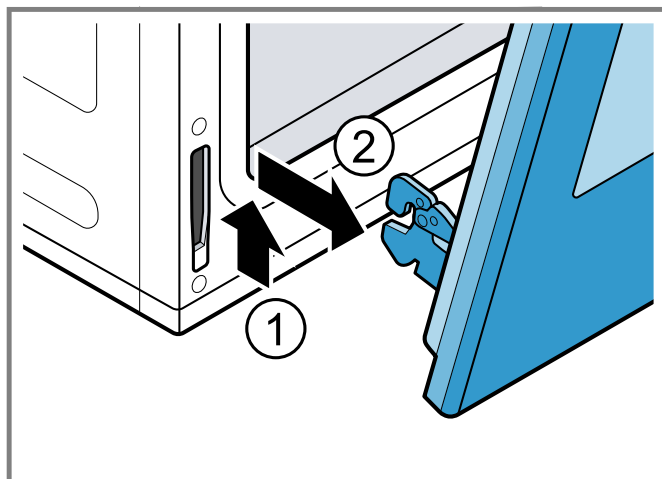


- ✓ La puerta quedará abierta unas 7 pulgadas (18 cm) en la parte superior.

5. **⚠ PRECAUCIÓN** La puerta pesa mucho.

- ▶ No sujetar la puerta por el asa.
- ▶ Usar ambas manos para sujetarla con firmeza por ambos lados.

Mantener el ángulo de la puerta, elevar la puerta recta aprox. 3/4 pulgadas (2 cm) para sacar las bisagras de las ranuras y después jalarla hacia uno hasta que las bisagras hayan salido de la caja del horno.



6. Colocar la puerta en una ubicación adecuada y estable. No colocar la puerta recostada por el lado de su asa; esto podría provocar arañazos o abolladuras.

6 Conexión eléctrica

Leer las presentes instrucciones para conectar con seguridad el aparato al suministro eléctrico.

6.1 Requisitos eléctricos

Es preciso asegurarse de que la instalación eléctrica sea compatible con los siguientes requisitos.

Modelos de gas

Se requieren 120 V, 15 A mín., 60 Hz. El cable de alimentación de 120 V viene instalado de fábrica.

Modelos de doble combustible

El aparato debe recibir un voltaje y frecuencia adecuados, y debe estar conectado a un circuito dedicado independiente y con su correcta conexión a tierra, protegido por un breaker o un fusible con el amperaje indicado en la placa de características. Consultar la placa de características para más información. → *Página 57*
Consultar con el prestador de servicios local para conocer los códigos de electricidad aplicables en su área. Si el electrodoméstico no es cableado de acuerdo con los códigos en vigor, podría provocar una situación peligrosa. Si no hay códigos locales, el electrodoméstico debe tener el cableado y los fusibles según indique la última edición del Código Nacional Eléctrico establecido por la norma 70 del Instituto Nacional de Normalización Estadounidense

ADVERTENCIA

No usar un cable de extensión. Si el cable de suministro de alimentación es demasiado corto, se deberá solicitar a un electricista calificado que instale una toma de corriente cerca del aparato.
Este producto debe estar conectado correctamente a tierra.

(American National Standards Institute, ANSI)/Asociación Nacional de Protección contra Incendios (National Fire Protection Association, NFPA).

El electrodoméstico requiere un circuito de tres cables como mínimo, de 120/240 V o 120/208 V, 25-30 A y 60 Hz CA. Consultar los códigos locales para ver los rangos de amperaje adecuados. Es preferible una conexión de cuatro cables. La mayoría de reglamentos y códigos de construcción locales requieren que el tendido del cableado eléctrico sea realizado por electricistas certificados. Es preciso asegurarse de instalar el electrodoméstico de acuerdo a los códigos eléctricos de su región.

Capacidad nominal de kW

Los electrodomésticos cuentan con la clasificación dual para usarse en 120/240 V CA o 120/208 V CA. Comprobar la placa de características para ver la capacidad de kW. Consultar la potencia en kW en la siguiente tabla para determinar los requisitos de amperaje.

Voltios de A/C	Hz	Capacidad de kW	Breaker interruptor del circuito
120/240	60	6.4	30 A
120/208	60	4.8	25 A

Varía según el lugar. Consultar las normativas locales

6.2 Conexión eléctrica para modelos de gas

Seguir las presentes instrucciones si se dispone de un aparato empotrable de gas con una placa de cocción de gas y un horno de gas.

El aparato empotrable de gas incorpora un cable de alimentación eléctrica de 120 V y se enchufa en una toma estándar de pared de 120 V.

El cable de alimentación de 120 V viene instalado de fábrica en el aparato empotrable de gas.

6.3 Conexión eléctrica para modelos de doble combustible

Seguir las presentes instrucciones si se dispone de un aparato de doble combustible con una placa de cocción de gas y un horno eléctrico.

ADVERTENCIA

A fin de evitar descargas eléctricas, no se debe cortar ni extraer el conector de tierra del cable de la estufa bajo ninguna circunstancia.

- ▶ Debe estar conectado a un receptáculo adecuado de conexión a tierra y a un circuito de 240 V correctamente polarizado.

- ▶ Si se tienen dudas acerca de si el enchufe de la pared tiene una conexión a tierra adecuada, solicitar su comprobación a un electricista calificado.

- El electrodoméstico se puede conectar con un cable eléctrico o por medio de una conexión eléctrica flexible.
- Utilizar únicamente kits de cables de 125/250 voltios de tensión nominal y 40 amperios (mínimo), y en los que se indique «For use with ranges» (para uso con electrodomésticos) en la etiqueta.
- Se recomienda que las posibles adiciones de cables de alimentación o de conexiones eléctricas al aparato sean llevadas a cabo únicamente por personas calificadas.

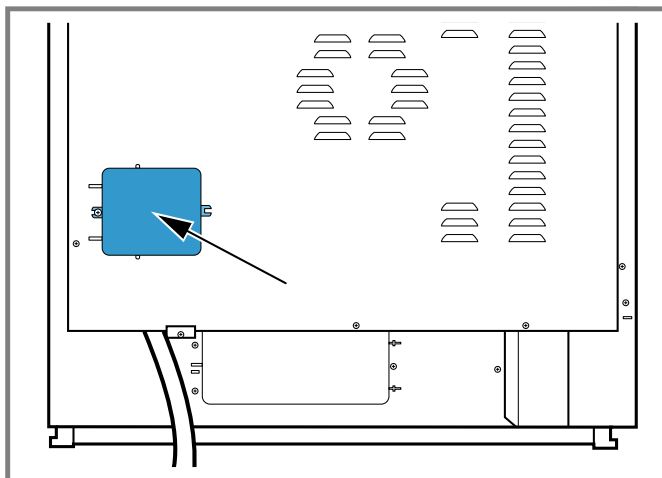
Nota: En los modelos canadienses, el electrodoméstico se entrega de fábrica con su cable ya instalado. Continuar instalando el electrodoméstico en los gabinetes.

Enrutado del cable eléctrico

ADVERTENCIA

La protección para cables debe estar correctamente instalada. Las protecciones para cables varían. Leer detenidamente y seguir todas las instrucciones incluidas con la protección para cables.

1. Retirar la cubierta en la esquina inferior izquierda del panel posterior del electrodoméstico.



2. Bajo el bloque de terminales, retire el prepunzonado que se ajusta a la protección para cables que viene con el cable del electrodoméstico.
3. Introducir el cable del electrodoméstico a través del agujero y la protección para cables hacia el bloque de terminales.
4. Montar la protección para cables siguiendo las instrucciones incluidas con esta.

Nota: El panel de prepunzonado bajo el bloque de terminales puede retirarse del electrodoméstico para instalar la protección para cables. Extraer el panel del electrodoméstico, instalar el prepunzonado en el panel y volver a montarlo. **NO** retirar por completo el panel posterior del electrodoméstico.

Preparación para la conexión a la alimentación

⚠ ADVERTENCIA

Riesgo de incendio o descarga eléctrica. Se prohíbe realizar conexiones a tierra a través del conductor neutro en instalaciones nuevas de circuitos de derivación (1996 NEC), casas rodantes y vehículos recreativos, y también en áreas cuyas normativas locales prohíban poner a tierra a través del conductor neutro.

Cuando se prohíba la conexión a tierra a través del conductor neutro:

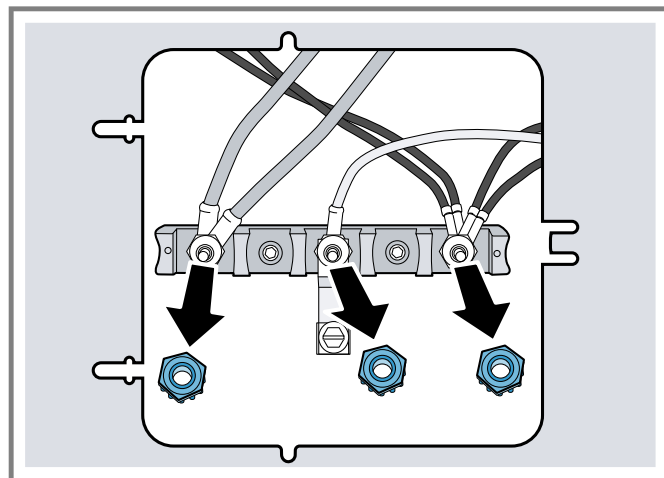
- Desconectar el enlace del conductor neutro.
- Utilice una terminal de conexión a tierra o un cable para poner la unidad a tierra.
- Conectar la terminal neutra al al cable neutro del circuito de derivación de la manera habitual. Si es preciso conectar el aparato por medio de un kit de cables, utilizar un cable de 4 conductores para este fin.

Instalación de una conexión de cuatro cables

Método recomendado.

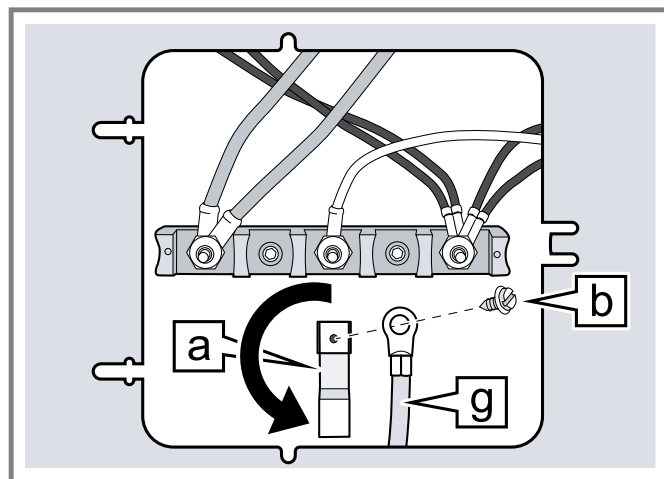
1. Desconectar la energía eléctrica en la caja de breakers (centro de carga).
2. Retirar la cubierta del bloque de terminales para dejarlo a la vista.

3. Retirar la tuerca superior (lleva unida una rondana de bloqueo) de cada poste.

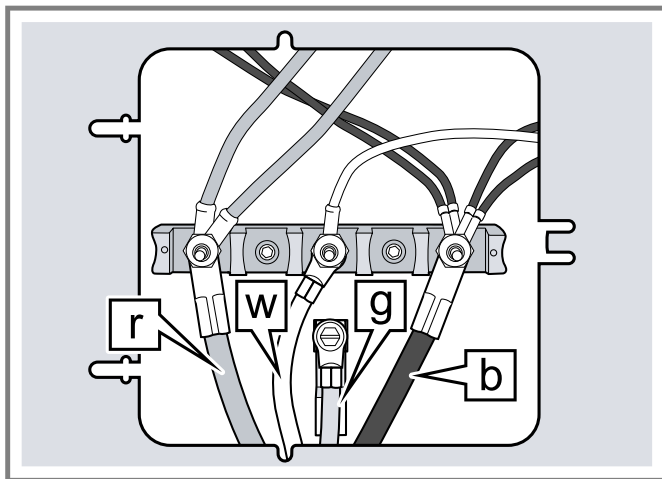


Nota: **NO** retirar la segunda tuerca o rondana de cada poste; estas deben permanecer en su lugar para mantener el anclaje del cableado interno unido al bloque de terminales.

4. Extraer el tornillo de conexión a tierra verde **[b]** del extremo inferior de la tira de conexión a tierra.
5. Extraer la tira de conexión a tierra del poste central en el bloque de terminales.
6. Hacer girar la tira de conexión a tierra **[a]** para que el extremo ancho quede orientado hacia arriba y alinear el agujero con el agujero de conexión a tierra que está debajo del bloque de terminales.
7. Usar el tornillo de conexión a tierra verde **[b]** para unir el cable verde **[g]** por encima de la tira de conexión a tierra.
8. Apretar el tornillo de conexión a tierra con firmeza, pero sin sobrepasarse.



9. Acoplar el cable rojo a la terminal izquierda con una de las tuercas o rondanas extraídas anteriormente.



r	Rojo
w	Blanco
g	Verde
b	Negro

10. Acoplar el cable blanco a la terminal central del bloque de terminales con una de las tuercas o rondanas.
11. Acoplar el cable negro al empalme derecho del bloque de terminales con una de las tuercas o rondanas.
12. Apretar todas las conexiones de forma segura y volver a colocar la cubierta del bloque de terminales.
13. Asegurar adecuadamente el protector de cable.
→ "Enrutado del cable eléctrico", Página 48

Nota: NO conectar todavía la estufa.

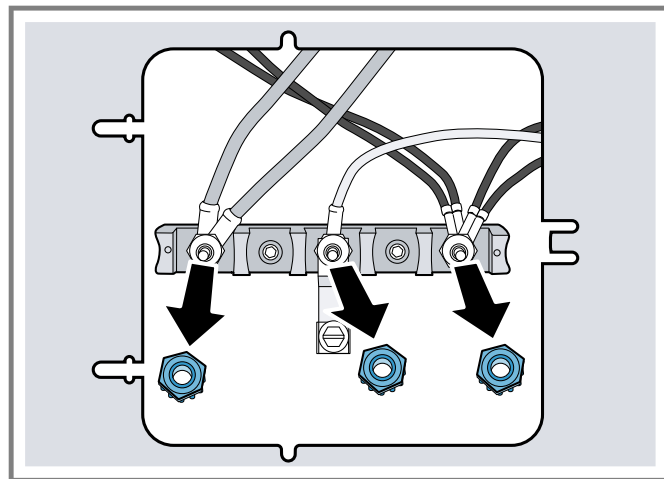
Instalación de una conexión de tres cables

Método alternativo

Nota: Es preferible una conexión de cuatro hilos (véase arriba); no obstante, en aquellos emplazamientos en los que las normativas y ordenanzas locales permitan la conexión a tierra a través de un contacto neutro y en las que la conversión a un sistema de cuatro hilos no resulte práctica, es posible conectar la unidad a la alimentación eléctrica por medio de una conexión de tres hilos.

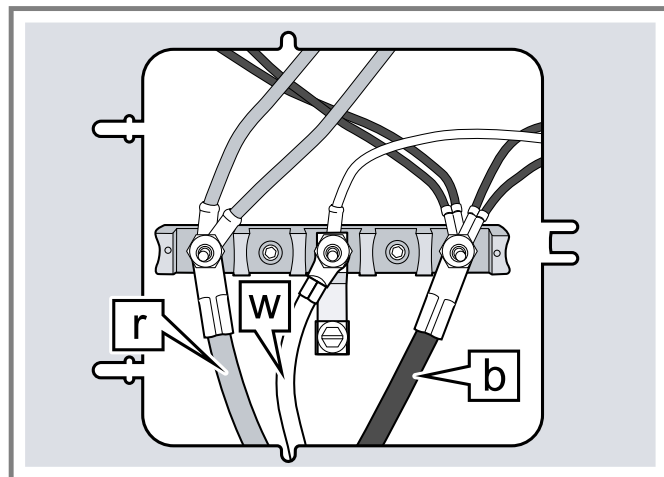
1. Interrumpir la alimentación eléctrica en la caja del breaker.
2. Retirar la cubierta del bloque de terminales para dejarlo a la vista.

3. Retirar la tuerca superior (lleva unida una rondana de bloqueo) de cada puesto.



Nota: NO retire la segunda tuerca o rondana de cada puesto. Estas deben permanecer en su lugar para mantener el anclaje del cableado interno unido al bloque de terminales.

4. Acoplar el cable blanco a la terminal central del bloque de terminales con una de las tuercas o rondanas.
5. Acoplar el cable rojo a la terminal izquierda del bloque de terminales con una de las tuercas o rondanas extraídas anteriormente.
6. Acoplar el cable negro a la terminal derecha con una de las tuercas o rondanas.



r	Rojo
w	Blanco
b	Negro

7. Apretar todas las conexiones de forma segura y volver a colocar la cubierta del bloque de terminales.
8. Asegurar adecuadamente el protector de cable.
→ "Enrutado del cable eléctrico", Página 48

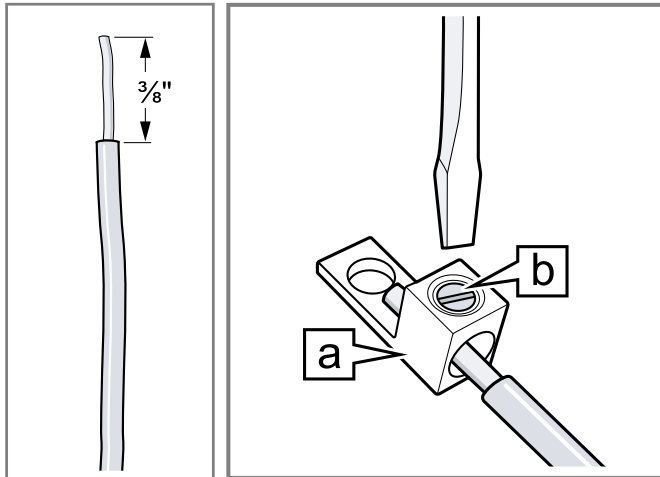
Nota: NO conectar todavía al electrodoméstico.

Conexión de una conexión eléctrica flexible

El electrodoméstico también puede conectarse mediante una conexión eléctrica flexible. Si utiliza este método, utilice siempre las lengüetas suministradas. En cada caso en el que se deba conectar un cable a una terminal, realice los siguientes pasos.

Nota: En Canadá, el electrodoméstico se entrega de fábrica con su cable ya instalado. Continuar instalando el electrodoméstico en los gabinetes. Para instalaciones en lugares distintos de Canadá, conectar la conexión flexible al bloque de terminales.

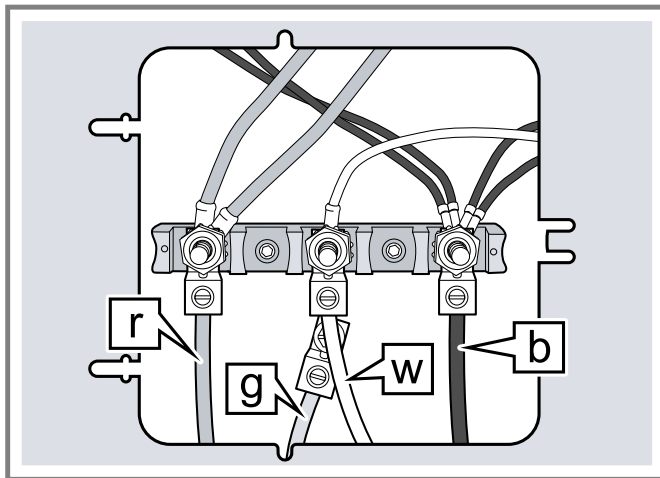
1. Quitar 9.5 mm (3/8") del forro al extremo del cable.
2. Insertar el extremo sin aislamiento del cable en la lengüeta de la terminal **a**. Luego, apretar cada tornillo de sujeción **b** con el torque adecuado. Ver la tabla.



Calibre del cable	Torque (pulgadas/lbs)	Torque (Nm)
6	35	3.95
8	25	2.82

Instalación de una conexión eléctrica flexible de cuatro cables

1. Siga las instrucciones de instalación de una conexión de cuatro cables. → *Página 49*



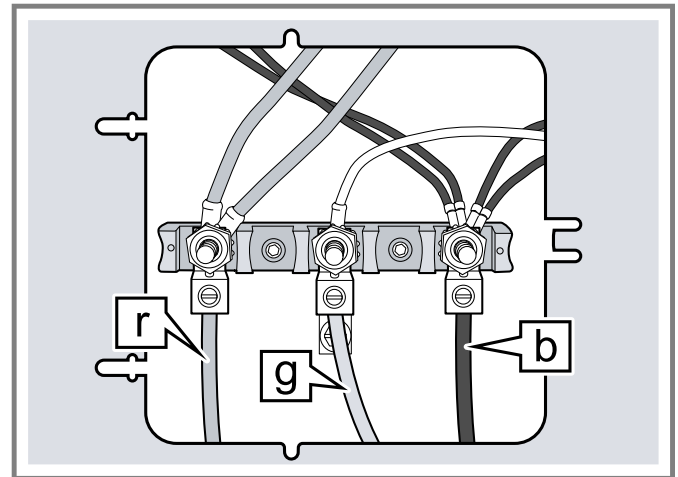
r	Rojo
w	Blanco
g	Verde
b	Negro

2. Asegure correctamente la conexión eléctrica flexible en el prepunzonado y en la caja de conexiones lateral del suministro. Ahora el cableado está completo.

Nota: NO conectar todavía la alimentación eléctrica del electrodoméstico.

Instalación de una conexión eléctrica flexible de tres cables

1. Seguir las instrucciones de instalación de una conexión de tres cables. → *Página 50*



r	Rojo
g	Verde
b	Negro

2. Asegurar correctamente la conexión eléctrica flexible en el prepunzonado y en la caja de conexiones lateral del suministro. Ahora el cableado está completo.

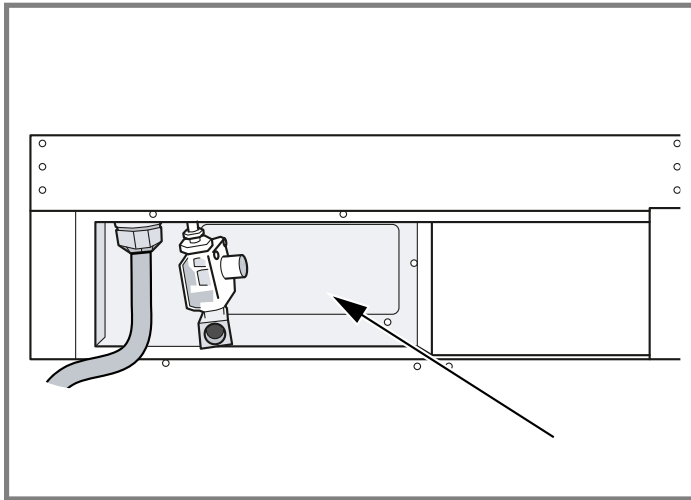
Nota: NO conectar todavía la alimentación eléctrica del electrodoméstico.

7 Conectar el suministro de gas

Asegurarse de que se cumplen los siguientes requisitos antes de intentar conectar el aparato al suministro de gas:

- El aparato se envía de fábrica para usarlo con gas natural. Si se desea utilizar con gas propano, es preciso adaptarlo previamente. Dicha conversión debe ser realizada por un técnico o instalador calificado.
- Antes de conectar el aparato, comprobar si las condiciones de conexión del lugar, como el tipo y la presión del gas, coinciden con la configuración del equipo.
- Antes de desconectar un aparato antiguo, asegurarse de que esté desconectado el suministro de gas en la llave de cierre manual y dejarlo desconectado hasta que se complete la conexión del nuevo aparato. Es preciso acordarse de volver a encender el piloto de los demás aparatos de gas al encender de nuevo el suministro de gas.
- Se debe instalar una llave de cierre manual del gas en la parte externa del aparato en un lugar accesible desde la parte frontal con el fin de cortar el suministro de gas. La línea de suministro no debe interferir con la parte trasera de la unidad.
- El aparato puede instalarse utilizando un tubo rígido o un conducto metálico flexible de gas con certificación de CSA International.
- Aplicar compuesto para juntas de tuberías o cinta de teflón apropiada para su uso con gas LP y gas natural a todas las roscas macho de las tuberías a fin de evitar fugas.

La conexión de gas se encuentra bajo el panel posterior del aparato. Se accede a ella por el panel de acceso en el cajón o desde la parte posterior del aparato. Para manipular el panel de acceso, es preciso retirar el cajón calentaplatos. → *Página 55*

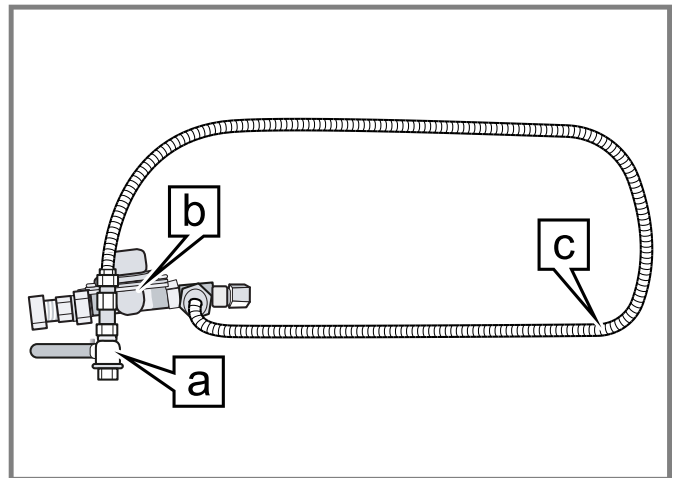


7.1 Instalación de un conducto metálico flexible de gas

Notas

- El conducto metálico flexible de gas no debe entrar en contacto con partes móviles del mueble donde está instalado el aparato (por ejemplo, un cajón) o colocarse en un lugar donde podría quedar aplastado o deteriorarse.
 - El conducto metálico flexible de gas no debe entrar en contacto con la parrilla, un horno, un lavavajillas, un refrigerador, una lavadora, las tuberías del agua caliente, un radiador o cualquier otro electrodoméstico instalado cerca del aparato.
 - El conducto metálico flexible de gas no debe estar expuesto a abrasiones, vibraciones, dobleces o deformaciones de cualquier otro tipo. Debe comprobarse en toda su longitud, con la estufa instalada en su lugar.
 - Instalar siempre un conducto metálico flexible de gas nuevo.
1. Instalar un adaptador de ensanche de 1/2" en la rosca interna NPT de 1/2" de la entrada del aparato. Utilizar una llave auxiliar en el racor acodado para evitar daños.
 2. Instalar un macho adaptador de unión de ensanche de 1/2" o 3/4" en la rosca interna de la llave de cierre manual.

3. Conectar el conector metálico flexible del aparato.



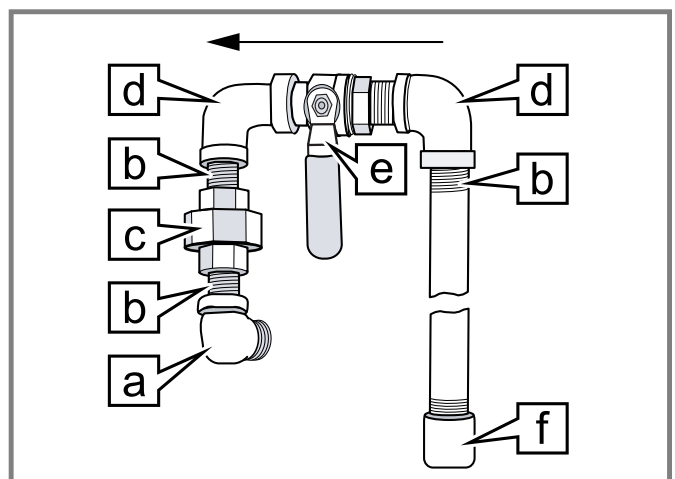
- | | |
|---|-----------------------------------|
| a | Llave de cierre de gas |
| b | Regulador |
| c | Conducto metálico flexible de gas |

4. Conectar el conducto metálico flexible de gas con el aparato, en el punto de unión. Se accede a la conexión a través del panel de acceso que se encuentra detrás del cajón.
5. Comprobar que no haya fugas de gas antes de continuar con la instalación.

7.2 Instalación de una conexión de conducto rígido

La configuración de la conexión de conducto rígido depende de la ubicación por donde correrá el tubo de gas.

1. La conexión del conducto debe configurarse de conformidad con los requisitos de la ubicación de instalación.



- | | |
|---|---|
| a | Racor en codo; conectar con el regulador aquí |
| b | Boquilla del conducto |
| c | Unión |
| d | Racor en codo |
| e | Llave de cierre de gas |
| f | Conducto de gas, 1/2" a 3/4" |

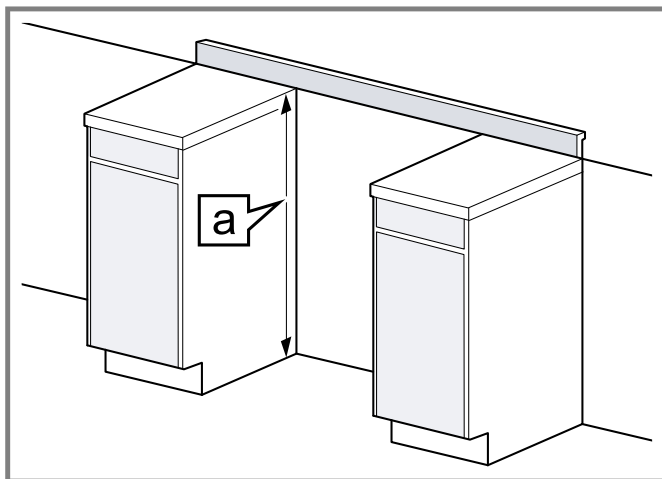
La flecha indica la dirección del flujo de gas hacia el aparato.

2. Conectar el conducto de gas con el aparato, en el punto de unión. Se accede a la conexión a través del panel de acceso que se encuentra detrás del cajón.
3. Comprobar que no haya fugas de gas antes de continuar con la instalación.

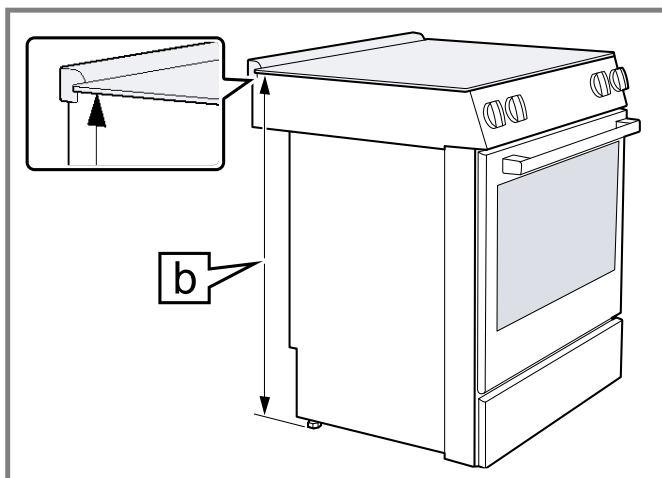
8 Instalación del electrodoméstico en los gabinetes

8.1 Ajustar las patas de nivelación

1. Alinear el electrodoméstico con la apertura.
2. Medir la altura [a] en la esquina trasera izquierda de la abertura desde la parte superior de la cubierta hasta el suelo.

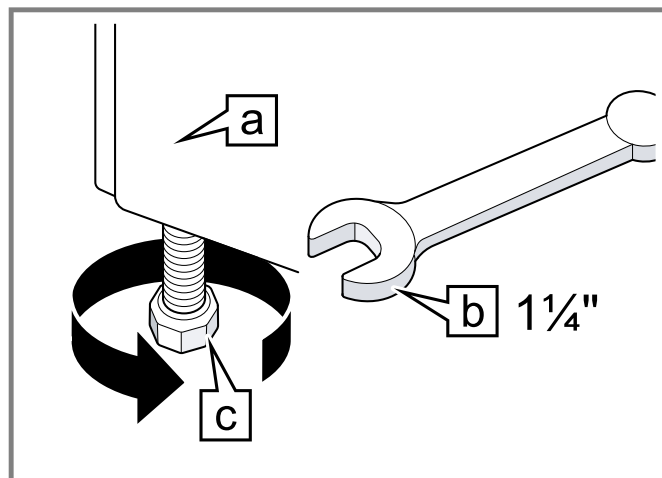


3. Medir la altura [b] en la esquina posterior izquierda de la abertura desde la parte inferior de la placa de cocción hasta la parte inferior del electrodoméstico.



4. Ajustar las patas de nivelación hasta que las dimensiones [a] y [b] sean las mismas.
5. Repetir la operación en la esquina posterior derecha.

6. Utilizar una llave de 1¼ " para ajustar las patas de nivelación delanteras de manera que la altura desde la parte inferior de la placa de cocción hasta el suelo coincida con la altura de la superficie de la cubierta correspondiente.



- | | |
|-----|----------------------------------|
| [a] | Cajón calentaplatos |
| [b] | Llave inglesa |
| [c] | Patatas de nivelación ajustables |

8.2 Deslizar el electrodoméstico hacia la apertura

⚠ PRECAUCIÓN

La unidad es pesada y se requieren al menos dos personas o un equipo adecuado para trasladarla. Se recomienda llevar ropa protectora durante el proceso de elevación.

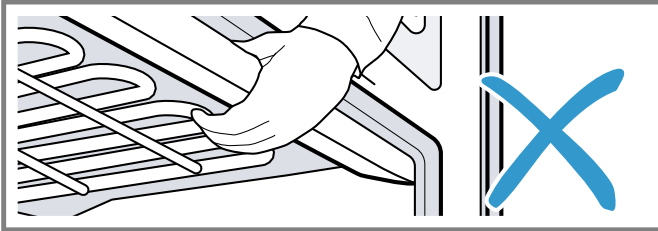
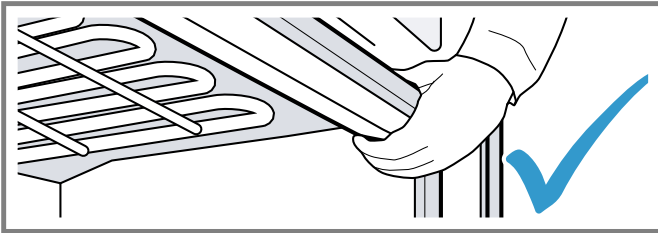
- ▶ Se recomienda llevar guantes y ropa de manga larga para proteger las manos y los antebrazos contra la abrasión y posibles arañazos.
- ▶ Es preferible no llevar relojes ni joyas.
- ▶ Se aconseja llevar zapatos de trabajo para proteger los pies.

AVISO:

Para evitar riesgo de daños en la puerta del horno del electrodoméstico, no levantar, jalar ni empujar el electrodoméstico tomándolo de la manija de la puerta.

Requisito: Debe haberse extraído la puerta del horno.

1. **⚠ PRECAUCIÓN** NO intentar levantar la unidad sosteniendo el elemento calefactor superior del horno. Sacar el electrodoméstico de la base de embalaje. Buscar en la parte superior de la cavidad del horno para localizar un área estriada cerca de la parte delantera del horno.



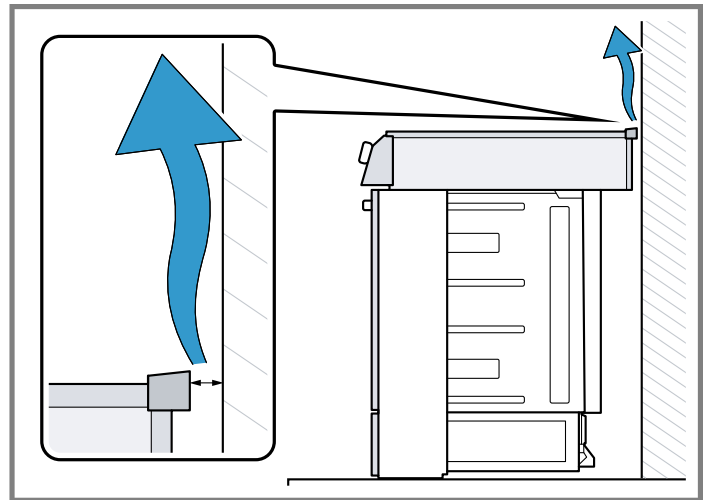
2. Asegurarse de que el breaker del circuito esté apagado y luego enchufar el cable del electrodoméstico en la toma de corriente eléctrica.
3. Humedecer la cubierta y el piso en la parte inferior de la abertura con agua jabonosa.
4. Deslizar el electrodoméstico hacia la apertura. Tener cuidado de no dañar las cubiertas, los pisos o el frente del cajón calentaplatos. No hacer presión sobre la cubierta al deslizar el electrodoméstico hacia su lugar. Tener cuidado de no torcer el conector eléctrico flexible.
5. Instalar la puerta del horno. → *Página 54*
6. Comprobar que la instalación esté correcta.
 - La placa de cocción debería descansar ligeramente sobre la cubierta.
 - No debe haber ningún hueco entre la cubierta y la placa de cocción; sin embargo, el peso del electrodoméstico no debe descansar sobre la cubierta.
 - Mirar debajo del electrodoméstico para verificar que ambas patas traseras estén apoyadas sólidamente en el suelo.
 - Comprobar también que la pata izquierda del electrodoméstico esté retenida por la placa de fijación antivuelco.

8.3 Evitar la obstrucción del flujo de aire

⚠ ADVERTENCIA

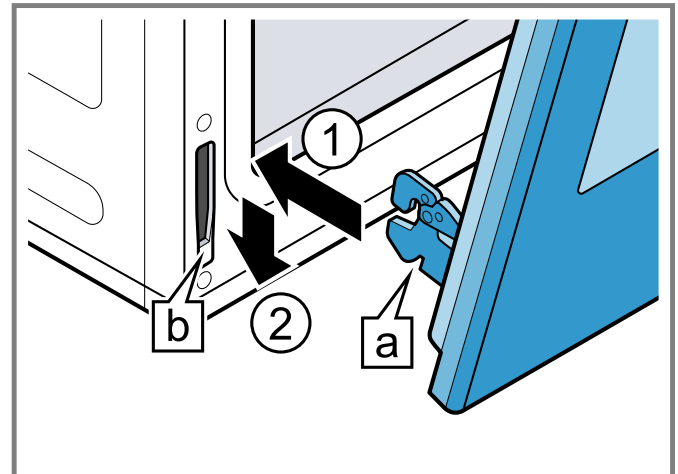
Para evitar el riesgo de incendios, no se debe obstruir el espacio de ventilación de la parte posterior principal de la estufa. No se debe colocar ninguna substancia ni sellar esta abertura de ninguna otra forma.

El espacio necesario de ventilación para los aparatos de gas o de doble combustible se logra automáticamente cuando la parte posterior del aparato está apoyada contra la pared. Si se obstruye la separación que queda, incluso de forma temporal, se podrían recalentar el aparato y/o los muebles adyacentes, lo que genera un riesgo de incendio.



8.4 Reinstalación de la puerta del horno

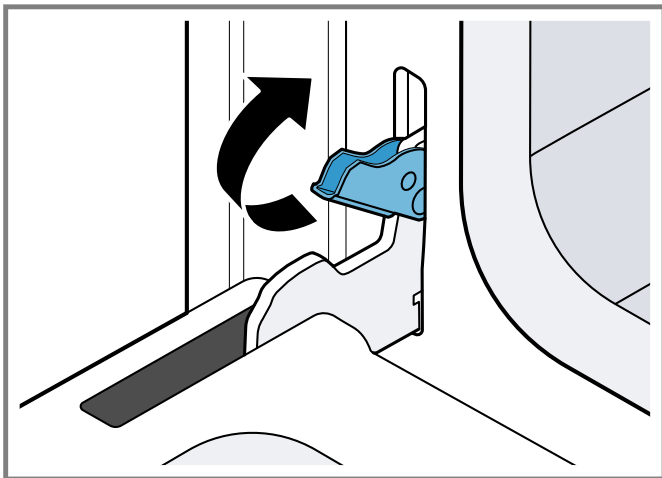
1. Sujetar la puerta firmemente con ambas manos. Agarrarla por cada lado, no por el asa.
2. Inclinar ligeramente la puerta hacia sí mismo en un ángulo tal que la puerta se abra unos 18 cm (7") por la parte superior.
3. Deslizar las bisagras **a** en las ranuras **b** hasta el fondo **1** y después bajar la puerta hacia abajo, en dirección recta **2**.



Puede ser necesario ajustar el ángulo de la puerta ligeramente para permitir que las bisagras encajen adecuadamente y la puerta baje hasta su lugar. La puerta debe bajar aproximadamente 2 cm (3/4") y detenerse; de no ser así, las bisagras no se han enganchado correctamente y la puerta podría caerse al soltarla.

4. Una vez que ambas bisagras estén totalmente encajadas, abrir con cuidado la puerta hasta que esté completamente abierta.

5. Presionar las palancas de ambas bisagras hacia arriba y adelante hasta que queden bloqueadas en la ranura y alineadas con el frente del cuerpo del horno.



6. Cerrar y abrir la puerta lentamente para asegurarse de que esté bien colocada y de forma segura.

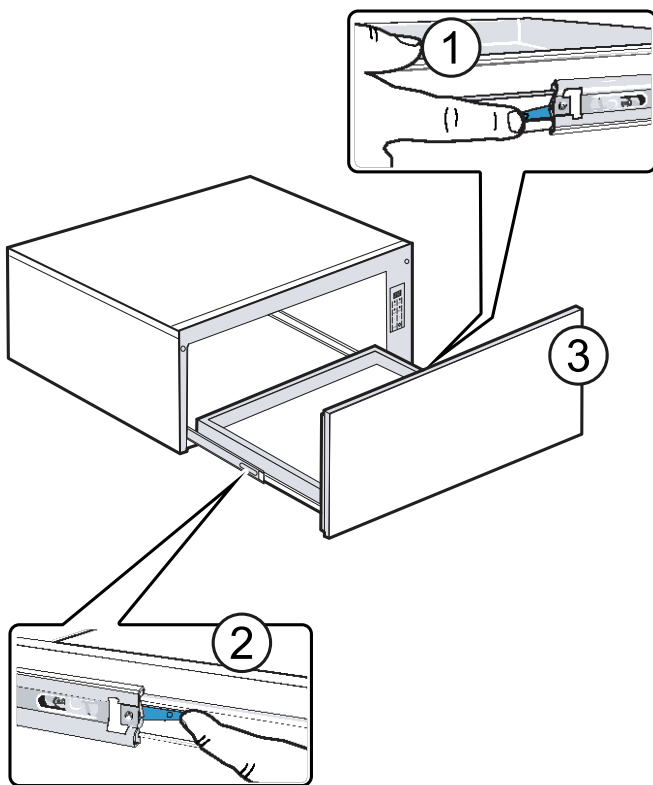
8.5 Retirada del cajón calentaplatos de la carcasa del cajón

⚠ ADVERTENCIA

Para evitar quemaduras, no retirar el cajón mientras está caliente.

- ▶ Asegurarse de que el cajón está vacío antes de retirarlo.

1. El cajón calentaplatos cuenta con un mecanismo de empujar para abrir (PTO). Presionar el centro del panel frontal del cajón calentaplatos para abrirlo.
2. Jalar hacia fuera el cajón calentaplatos para abrirlo completamente.



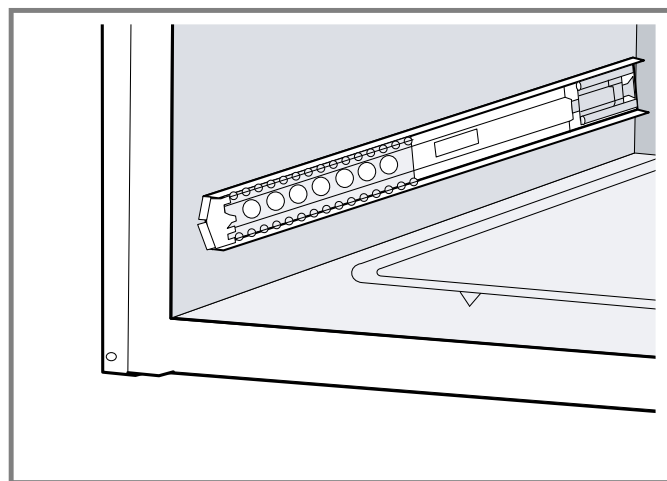
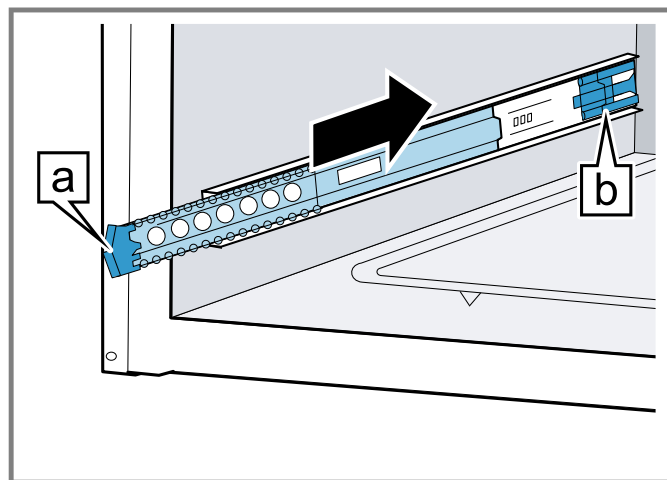
3. Empujar hacia abajo la palanca derecha de desbloqueo del cajón ①.
4. Levantar la palanca izquierda de desbloqueo del cajón ②.
5. Empujar con firmeza el cajón hacia fuera, manteniéndolo recto ③.
6. Replegar los rieles del gabinete mientras el cajón está fuera.
7. Agarrar ambos lados del cajón y retirar con cuidado la carcasa del cajón, tirando de él manteniéndolo recto y nivelado.

Este paso puede exigir aplicar una fuerza ligera o moderada para retirar por completo el cajón.

8.6 Reinstalación del cajón calentaplatos en la carcasa del cajón

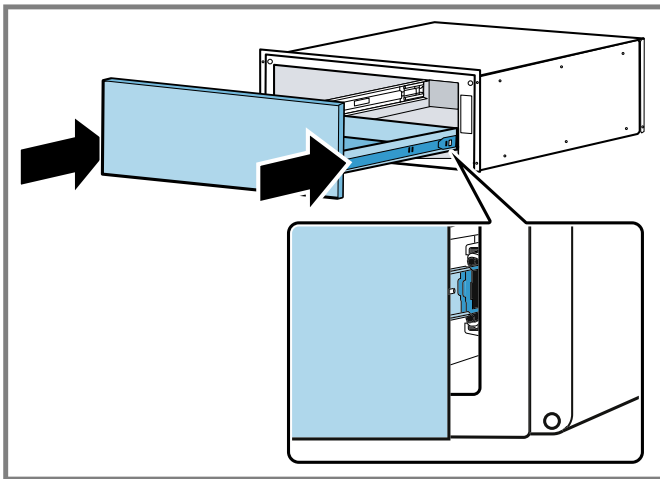
Requisito: Las guías montadas en cada lado de la pared de la carcasa cuentan con dos elementos móviles, un riel interior y un soporte de rodamiento de bolas, que necesitan tener una orientación determinada para conseguir una instalación y alineación precisas. También hay un mecanismo de bloqueo visible en la parte posterior de cada guía.

1. Deslizar el raíl interior, empujándolo hacia la parte trasera de la carcasa hasta que quede bloqueado.

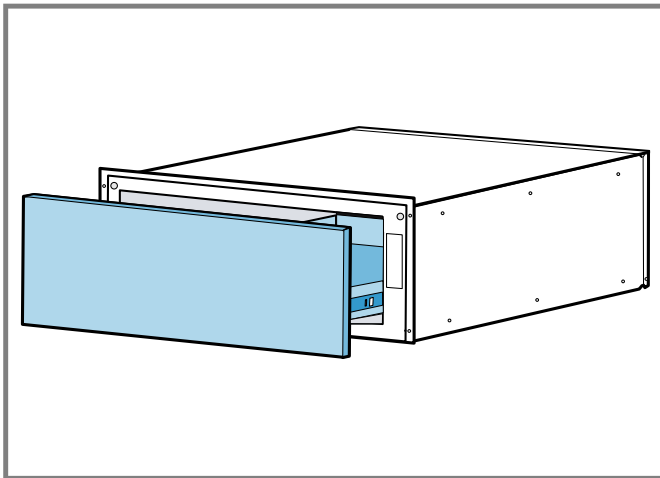


Nota: Se necesita aplicar una fuerza moderada en el mecanismo de bloqueo del soporte de bolas de plástico negro para activar el bloqueo. Cuando el cajón está instalado, el mecanismo de bloqueo evita que el cajón salte de nuevo y se abra.

2. Colocar el cajón calentaplatos frente a la carcasa del cajón. Alinear el riel con el extremo del riel de plástico hacia el soporte de bolas de la guía.



3. Mantener el conjunto del cajón nivelado y centrado respecto a la carcasa, introducir con cuidado el cajón en el conjunto de la carcasa hasta que se perciba un ligero aumento de la resistencia en la posición aproximada que se muestra a continuación.



Notas

- Puede ser necesario hacer un ligero balanceo de lado a lado para conseguir que los rodamientos de bolas se alineen de forma exacta.
 - Si se necesita aplicar más que una fuerza moderada para introducir el cajón, retirarlo y repetir el procedimiento de instalación.
4. Empujar el cajón hacia dentro por completo. Se debería oír un «clic» cuando el cajón está correctamente cerrado, haciendo que este quede en posición de bloqueo.

9 Comprobación del funcionamiento

Una vez completados los pasos de instalación, comprobar si la unidad funciona correctamente.

1. Encender la energía eléctrica en el breaker.

2. Para comprobar el funcionamiento del horno, seleccionar el modo **Bake**. Véase el manual de usuario para consultar las instrucciones de funcionamiento detalladas.
3. Comprobar que se enciende la luz del horno y que el horno comienza a precalentar.
4. Para comprobar el funcionamiento del cierre de la puerta, seleccionar el modo **Self Clean**. Confirmar que la puerta se bloquea cuando aparece el símbolo de bloqueo en el display.

9.1 Comprobación de los quemadores del aparato

Es preciso comprobar que todos los quemadores se encienden correctamente y presentan las características de llama apropiadas en los niveles de potencia más bajo y más alto.


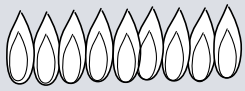
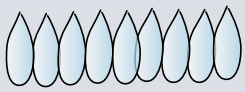
1. Comprobar que todos los quemadores del aparato se encienden correctamente.
 - Presionar la perilla y girarla en sentido contrario a las agujas del reloj hasta el símbolo de encendido ⚡.
 - Comprobar que hace clic el dispositivo de ignición / módulo de chispas.
 - Una vez purgado el aire de los conductos de alimentación, comprobar que el quemador se enciende en menos de cuatro (4) segundos. Cuando se encienda el quemador, volver a poner la perilla en la posición de apagado.
 - Si no se enciende ninguno de los quemadores, interrumpir la comprobación. Llamar al Servicio de atención al cliente.
2. Comprobar si todos los quemadores del aparato presentan características de llama apropiadas en su ajuste más bajo.
 - Presionar la perilla y girarla en sentido contrario a las agujas del reloj hasta el símbolo de encendido ⚡. Mantenerla presionada hasta que se encienda el quemador.
 - Girar rápidamente la perilla a su ajuste más bajo.
 - Comprobar si la llama presenta una altura aproximada de unos 6 mm (1/4").
 - Verificar que la llama sea firme. La llama no debe apagarse, elevarse o extinguirse del quemador. Debe distribuirse homogéneamente o rodear todo el quemador.
 - Verificar que la llama sea del color apropiado. → "Características de la llama", Página 57
 - Si la llama se apaga, no se distribuye adecuadamente o es demasiado grande, contactar con el Servicio de atención al cliente.
3. Comprobar si todos los quemadores del aparato presentan características de llama apropiadas en su ajuste más alto.
 - Presionar la perilla y girarla en sentido contrario a las agujas del reloj hasta el símbolo de encendido ⚡. Mantenerla presionada hasta que se encienda el quemador.
 - Girar rápidamente la perilla a su ajuste más alto.
 - Verificar que la llama sea firme. La llama no debe apagarse, elevarse o extinguirse del quemador. Debe distribuirse homogéneamente o rodear todo el quemador.
 - Verificar que la llama sea del color apropiado. → "Características de la llama", Página 57

- Si la llama se torna amarilla o no se distribuye adecuadamente, contactar con el servicio de atención al cliente.

9.2 Características de la llama

El color de la llama indica si el suministro de gas está ajustado correctamente.

Nota: Dejar que el aparato funcione durante 4 o 5 minutos antes de evaluar la llama. Es normal que haya algunas vetas amarillas al inicio.

Llama	Imagen	Medida
Completamente amarilla o casi		Comprobar que el regulador esté configurado para el combustible correcto. Volver a comprobar tras el ajuste.
Puntas amarillas en la parte exterior		Normal en gas LP
Azul claro		Normal en gas natural

10 Servicio de atención al cliente

Nos esforzamos por encontrar una solución adecuada para usted y, de esta manera, evitar visitas innecesarias de un proveedor de servicios.

En cada reparación cubierta por la garantía, nos aseguramos de que su aparato sea reparado con repuestos originales por un proveedor de servicio capacitado y autorizado. Solo utilizamos repuestos originales para todos los tipos de reparaciones. Las informaciones detalladas sobre el periodo de validez de la garantía y las condiciones de garantía las podrá encontrar en nuestras condiciones de garantía, con su distribuido o en nuestra página web.

Cuando se ponga en contacto con el servicio de atención al cliente, no olvide indicar el número de modelo (E-Nr.) y el número de fabricación (FD) de su aparato.

USA:

1-800-944-2904

www.bosch-home.com/us/owner-support/get-support

www.bosch-home.com/us/shop

CA:

1-800-944-2904

www.bosch-home.ca/en/service/get-support

www.bosch-home.ca/en/service/cleaners-and-accessories

10.1 Número de modelo (E-Nr.) y número de fabricación (FD)

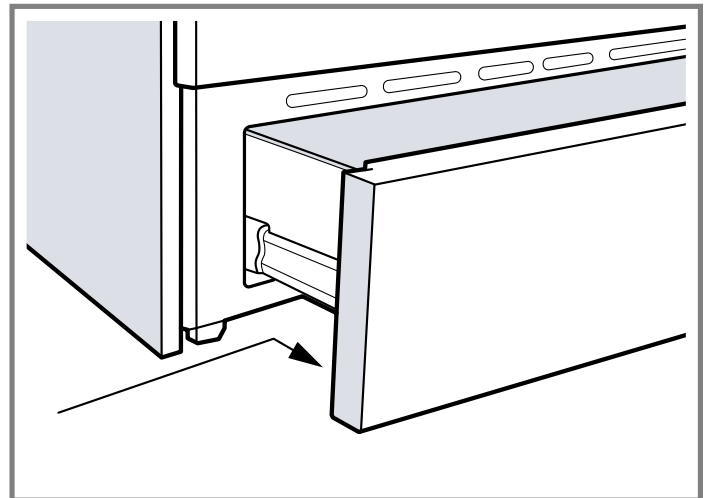
El número de modelo (E-Nr.) y el número de fabricación (FD) se encuentran en la placa de características del aparato.

Para volver a encontrar rápidamente los datos del aparato o el número de teléfono del servicio de atención al cliente, puede anotar dichos datos.

10.2 Ubicación de la placa de características del aparato

Consultar esta sección para descubrir dónde se sitúa la placa de características del aparato.

- en la parte trasera del frontal del cajón. Abrir el cajón para verlo.





A series of horizontal lines for writing, starting from the top right of the pencil icon and extending across the width of the page. There are 28 lines in total, providing a template for text entry.



A series of horizontal lines spanning the width of the page, creating a ruled area for writing. The lines are evenly spaced and extend from the left margin to the right edge of the page.



Thank you for buying a Bosch Home Appliance!

Register your new device on MyBosch now and profit directly from:

- **Expert tips & tricks for your appliance**
- **Warranty extension options**
- **Discounts for accessories & spare-parts**
- **Digital manual and all appliance data at hand**
- **Easy access to Bosch Home Appliances Service**

Free and easy registration – also on mobile phones:
www.bosch-home.com/welcome

BOSCH
HOME APPLIANCES
SERVICE

Looking for help? You'll find it here.

Expert advice for your Bosch home appliances, help with problems or a repair from Bosch experts.

Find out everything about the many ways Bosch can support you:

www.bosch-home.com/service

Contact data of all countries are listed in the attached service directory.

BSH Home Appliances Corporation

1901 Main Street, Suite 600

Irvine, CA 92614

USA

www.bosch-home.com

© 2022 BSH Home Appliances Corporation



8001269127

en-us, fr-ca, es-mx