

Use & Care Guide  
Manual de Uso y Cuidado  
Manuel d'entretien et d'utilisation

**Kenmore**®/MD



# Bagless Upright Vacuum Cleaner

# Aspiradora vertical sin bolsa Aspirateur Vertical Sans Sac

Model/Modelo/Modèle: DU2015

Vacuum Cleaner Help Line:

1-877-531-7321 (US) / 1-844-608-3081 (CA)

8:00am-5:00pm EST, M-F

[www.kenmorefloorcare.com](http://www.kenmorefloorcare.com)

Kenmore and the Kenmore logo are registered  
trademarks of KCD IP, LLC and/or Transform SR  
Brands LLC and are used under license.



## TABLE OF CONTENTS

|  |            |
|--|------------|
| Before Using Your New Vacuum Cleaner ..... | 2          |
| Packing List .....                         | 2          |
| Important Safety Instructions.....         | 3-4        |
| Kenmore Vacuum Cleaner Warranty .....      | 5          |
| Parts and Features.....                    | 6          |
| Assembly Instructions .....                | 7-8        |
| Operating Instructions .....               | 9-13       |
| Performance/Safety Features .....          | 14         |
| Vacuum Maintenance and Care.....           | 15-22      |
| Troubleshooting .....                      | 23-24      |
| Requesting Assistance or Service.....      | Back Cover |

## BEFORE USING YOUR NEW VACUUM CLEANER

Read this Use & Care Guide. It will help you assemble and operate your new Kenmore vacuum cleaner in the safest and most effective way.

For more information about vacuum cleaner care and operation, call the Vacuum Cleaner Help Line at 1-877-531-7321 (US) / 1-844-608-3081 (CA). You will need the complete model and serial numbers when requesting information.

Your vacuum cleaner's model and serial numbers are located on the Model and Serial Number Plate. Use the space below to record the model number and serial number of your new Kenmore vacuum cleaner.

Model No. \_\_\_\_\_

Serial No. \_\_\_\_\_

Date of Purchase \_\_\_\_\_

Keep this book and your sales check (receipt) in a safe place for future reference.

## PACKING LIST

Your KENMORE VACUUM CLEANER is packaged with the following parts and components assembled separately in the carton:

- |                          |                    |
|--------------------------|--------------------|
| 1 Upright Vacuum Cleaner | 1 Extension Wand   |
| 1 Combination Tool       | 1 Flexible Hose    |
| 1 Upholstery Tool        | 1 Handle           |
| 1 Pet HandiMate®         | 1 Screw Bolt       |
| 1 Rotating Brush Tool    | 1 Use & Care Guide |

## IMPORTANT SAFETY INSTRUCTIONS

Read all instructions in this guide before assembling or using your vacuum cleaner.

### **WARNING!**

Your safety is important to us. To reduce the risk of fire, electrical shock, injury to persons or damage when using your vacuum cleaner, follow basic safety precautions including the following:

- Use your vacuum cleaner only as described in this Use & Care Guide. Use only manufacturer's recommended attachments.
- Disconnect electrical supply before servicing or cleaning out the brush area. Failure to do so could result in the brush unexpectedly starting, causing personal injury from moving parts.
- Do not leave vacuum cleaner when plugged in. Unplug from outlet when not in use and before performing maintenance.
- To reduce the risk of electrical shock - Do not use outdoors or on wet surfaces.
- Do not allow to be used as a toy. Close attention is necessary when used by or near children.
- Do not use with a damaged cord or plug. If vacuum cleaner is not working as it should, has been dropped, damaged, left outdoors, or dropped in water, immediately discontinue use and call 1-877-531-7321 (US) / 1-844-608-3081 (CA) for assistance.
- Do not pull or carry by cord, use cord as a handle, close a door on cord, or pull cord around sharp edges or corners. Do not run vacuum cleaner over cord. Keep cord away from heated surfaces.
- Do not unplug by pulling on cord. To unplug, grasp the plug, not the cord.
- Do not handle plug or vacuum cleaner with wet hands.
- Do not put any objects into openings.
- Do not use with any opening blocked; keep free of dust, lint, hair, and anything that may reduce air flow.
- Keep hair, loose clothing, fingers, and all parts of body away from openings and moving parts.
- Turn off all controls before unplugging.
- Use extra care when cleaning on stairs.
- Do not put on chairs, tables, etc. Keep on floor.
- Do not use vacuum cleaner to pick up flammable or combustible liquids (gasoline, cleaning fluid, perfumes, etc.), or use in areas where they may be present. The fumes from these substances can create a fire hazard or explosion.
- Do not pick up anything that is burning or smoking, such as cigarettes, matches, or hot ashes.
- Do not use vacuum cleaner without dust cup and/or filters in place.
- Always clean the dust cup after vacuuming carpet cleaners or freshener, powders, and fine dust. These products clog the filters, reduce airflow and can cause damage to the vacuum cleaner. Failure to clean the dust cup could cause permanent damage to the vacuum cleaner.
- Do not use the vacuum cleaner to pick up sharp hard objects, small toys, pins, paper clips, etc. They may damage the vacuum cleaner or dust cup.
- You are responsible for making sure that your vacuum cleaner is not used by anyone unable to operate it properly.

## IMPORTANT SAFETY INSTRUCTIONS

# SAVE THESE INSTRUCTIONS

Proper assembly and safe use of your vacuum cleaner are your responsibilities. Your vacuum cleaner is intended for **Household Use**. Read this Use & Care Guide carefully for important use and safety information. This guide contains safety statements under warning and caution symbols.

**AllergenSeal™ Certification lets you know that this vacuum traps 99.97% of dust and particles inside your vacuum, keeping them out of the air you breathe.**

## **KENMORE VACUUM CLEANER WARRANTY**

### **KENMORE LIMITED WARRANTY**

FOR ONE YEAR from the date of sale this product is warranted against defects in material or workmanship.

WITH PROOF OF SALE a defective product will be replaced free of charge.

The Kenmore brand is used under license. Direct all claims for warranty service to: Cleva North America, Inc., 1-877-531-7321 (US) / 1-844-608-3081 (CA).

This warranty does not cover filters or belts, which are expendable parts that can wear out from normal use within the warranty period.

This warranty is void if this product is ever used for other than private household purposes. This warranty gives you specific legal rights, and you may also have other rights which vary from state to state.

Cleva North America, Inc., Greenville SC 29607

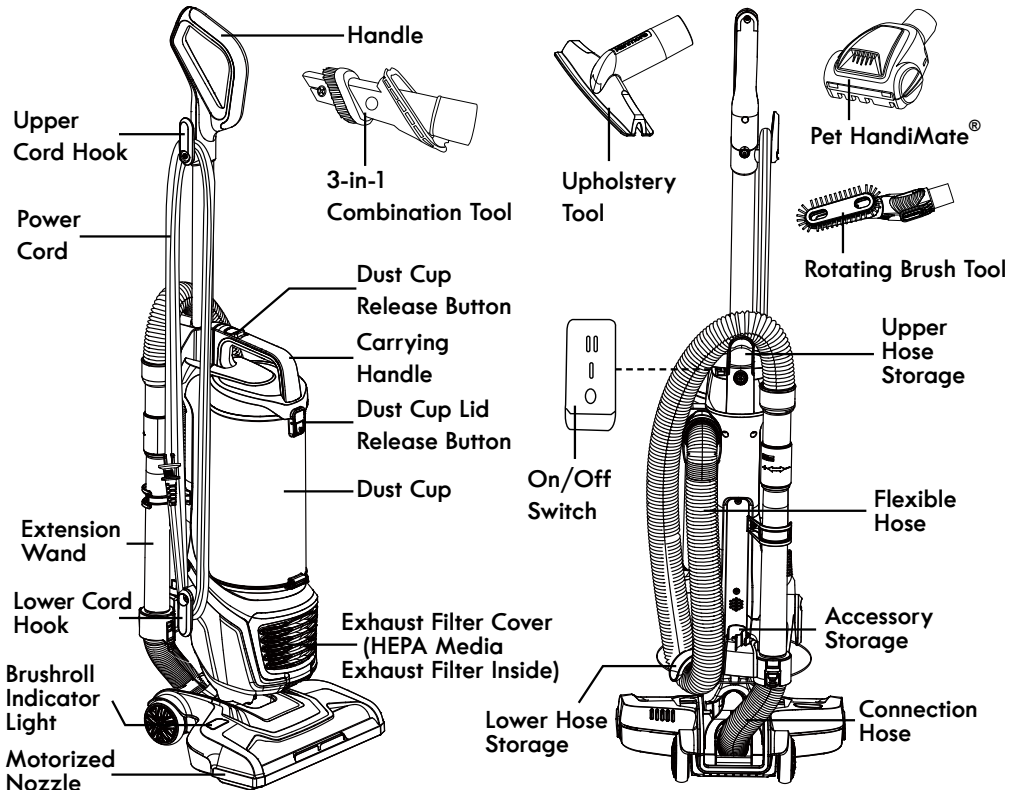
# PARTS AND FEATURES

It is important to know your vacuum cleaner's parts and features to assure its proper and safe use. Review these before using your vacuum cleaner.

## REPLACEMENT PARTS

| Item                      | Part No.(US) | Part No.(CA) |
|---------------------------|--------------|--------------|
| Foam Filter               | 561055105    | 561055105    |
| Felt Filter               | 561055106    | 561055106    |
| HEPA Media Exhaust Filter | 561055118    | 561055118    |
| Belt                      | KC28SEDCZ000 | KC28SEDCZ000 |
| 3-in-1 Combination Tool   | 561055134    | 561055134    |
| Upholstery Tool           | 561055176    | 561055176    |
| Rotating Brush Tool       | 561060176    | 561060176    |
| Pet HandiMate®            | 561014106    | 561014106    |
| Extension Wand            | 561055128    | 561055128    |
| Flexible Hose             | 561055129    | 561055129    |
| Screw Bolt                | 561055131    | 561055131    |

To order a replacement part, call 1-877-531-7321 (US) / 1-844-608-3081 (CA).





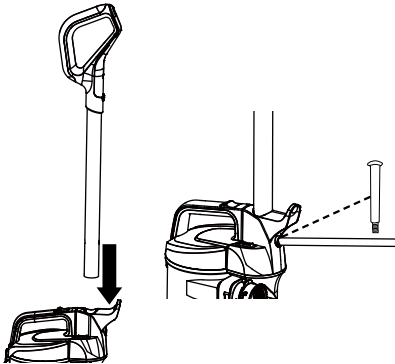
Please pay special attention to these hazard alert boxes, and follow any instructions given. **WARNING** statements alert you to such hazards as fire, electric shock, burns and personal injury. **CAUTION** statements alert you to such hazards as personal injury and/or property damage.

## ASSEMBLY INSTRUCTIONS

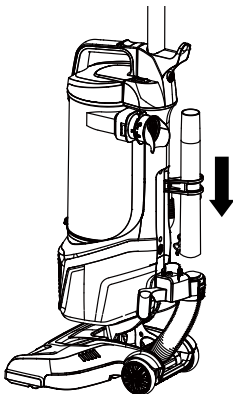
Before assembling the vacuum cleaner, check the **PACKING LIST** (page 2). Use this list to verify that you have received all the components of your new Kenmore Bagless Upright Vacuum Cleaner.

1. Insert the handle into the main body and secure with one screw bolt provided.

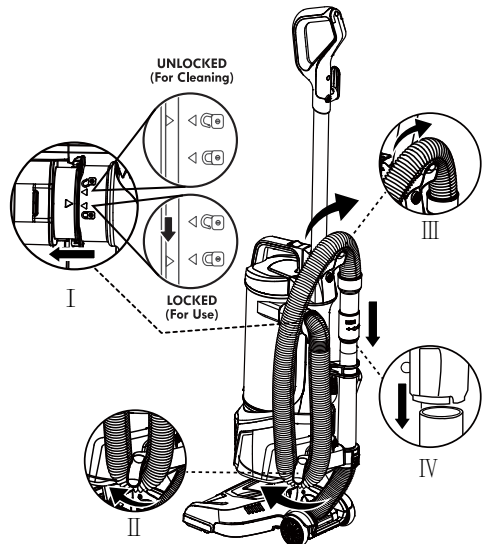
**NOTE:** Tighten the screw bolt with a screwdriver or a coin. Ensure that the screw bolt is secured.



2. Insert the larger end of the extension wand into the top of the connection hose through the bracket until the wand is fully seated on the post.

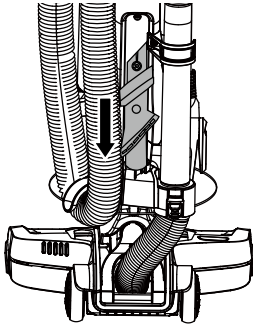


3. Insert the end of the flexible hose into the main body by aligning marks as shown in UNLOCKED (for cleaning). Rotate the hose until marks align as shown in LOCKED (for use). Then run the flexible hose over the lower hose storage and the upper hose storage. Insert the other end onto the top of the extension wand.



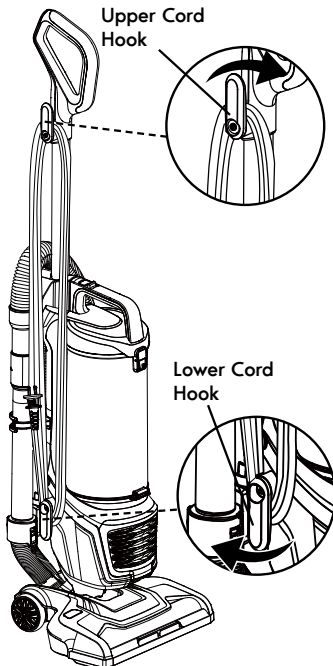
## ASSEMBLY INSTRUCTIONS

4. Insert the combination tool onto the accessory storage post located on the back of the main body.

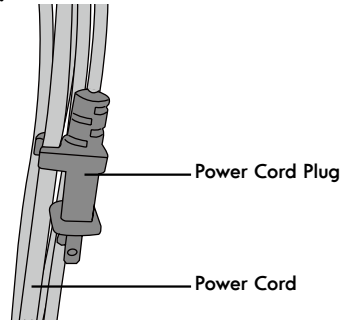


5. Make sure the upper and lower cord hooks are in the proper position as shown. Wrap the power cord loosely around the upper and lower cord hooks.

**NOTE:** Make sure to wrap the power cord around the upper cord hook first, and then around the lower cord hook to avoid damaging the power cord.



6. Lock power cord plug onto the power cord.



### WARNING

Electrical Shock and Personal Injury Hazard.

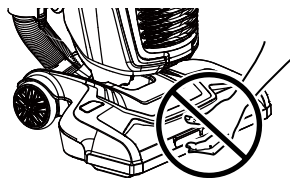
Wrapping the cord too tightly with excessive stress on the cord may cause cord damage. A damaged cord is an electrical shock hazard and could cause personal injury or damage.



## OPERATING INSTRUCTIONS

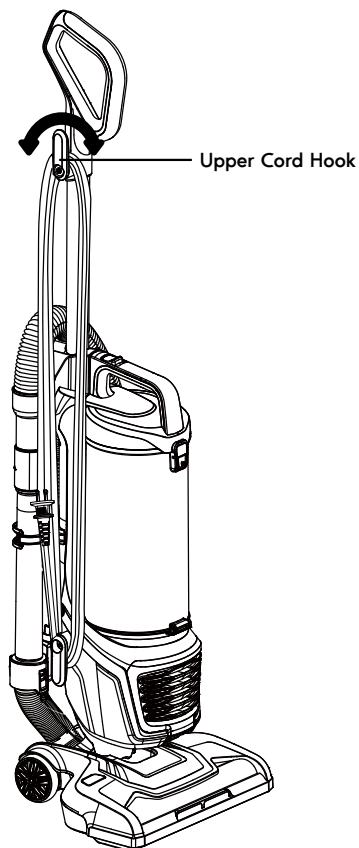
### CAUTION

Moving parts! To reduce the risk of personal injury, DO NOT touch the brushroll when vacuum is on. Contacting the brushroll while it is rotating can cut, bruise or cause other injuries. Always turn off before servicing. Use caution when operating near children or pets.



## POWER CORD - RELEASE & USE

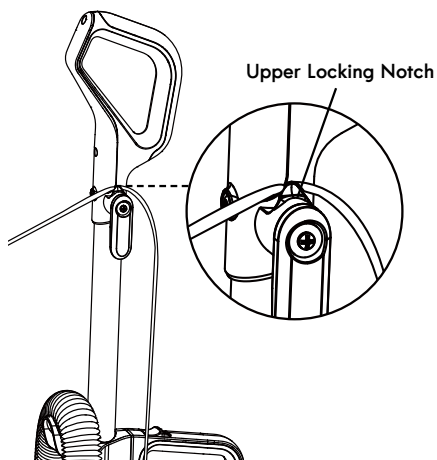
1. Turn the upper cord hook to either side to release the power cord.



### WARNING

To reduce the risk of electric shock, this appliance has a polarized plug (one blade is wider than the other). This plug will fit in a polarized outlet only one way. If the plug does not fit fully in the outlet, reverse the plug. If it still does not fit, contact a qualified electrician to install the proper outlet. Do not change the plug in any way.

2. Detach the power cord plug from the power cord.
3. Be sure the power cord is locked into the upper locking notch as shown. This will help manage the power cord when operating the vacuum cleaner.



## POWER CORD - RELEASE & USE

4. Plug the power cord plug into an outlet located near the floor.



### WARNING

Personal Injury and Product Damage Hazard

- When any abnormality/failure occurs, stop using the product immediately and disconnect the power plug.
- **DO NOT** use outlets above counters. Damage from cord to items in surrounding area could occur.

5. Press the On/Off switch to turn the vacuum cleaner on.
6. Once you have completed vacuuming, press the On/Off switch; unplug the power cord plug from the outlet.

7. To restore power cord after use, turn the upper cord hook to the upright position. Then wrap cord loosely around cord hooks.



### WARNING

Electrical Shock and Personal Injury Hazard

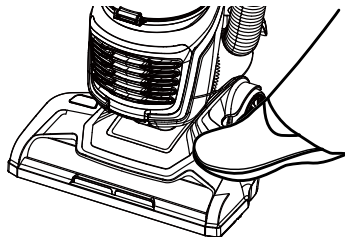
Wrapping the cord too tightly puts stress on the cord and can cause cord damage. A damaged cord is an electrical shock hazard and could cause personal injury or damage

## OPERATION MODES

### UPRIGHT MODE

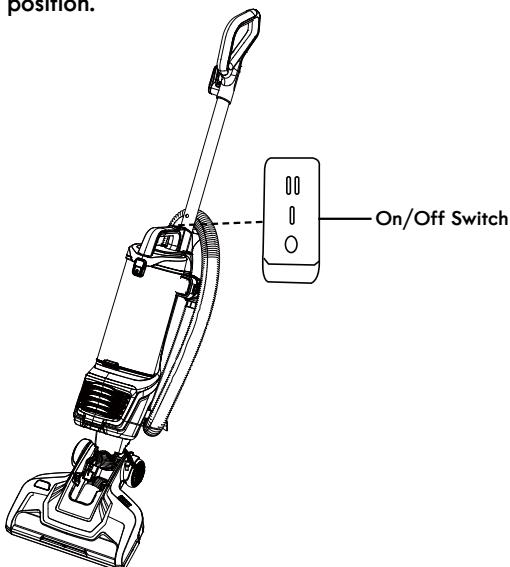
**NOTE:** Make sure the vacuum cleaner is completely assembled and the dust cup is empty before using. Do not operate vacuum cleaner without filters in place.

1. Release the handle by placing foot on the nozzle and pull back to change handle position.



2. Turn on the vacuum cleaner by pressing the On/Off switch to the "I" position for cleaning bare floors and small area rugs.

**NOTE:** The brushroll does not rotate when the vacuum cleaner is in the "I" position.



## OPERATION MODES

3. Press the switch to the “II” position for cleaning carpets or rugs.

**NOTE:** The brushroll rotates when the vacuum cleaner is in the “II” position.



### CAUTION

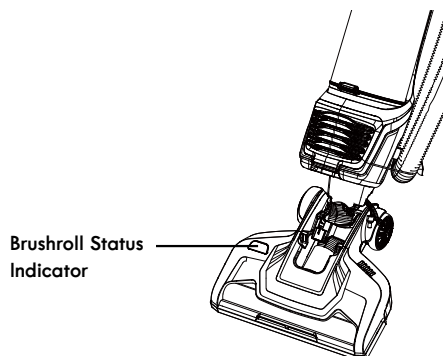
Do not allow the vacuum cleaner to remain in one spot for any length of time when the brushroll is turning. Damage to carpet may occur.

4. Once you have completed vacuuming, switch to the “O” position and unplug the power cord from the power outlet.

**NOTE:** Select the right mode when using this vacuum cleaner. Do not press the switch to the “II” position when cleaning the bare floor, otherwise it will damage the floor.

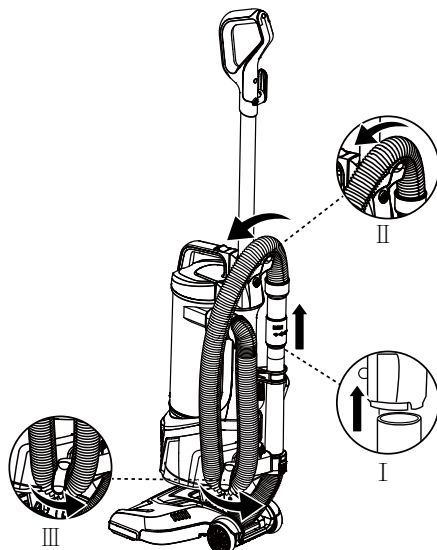
### BRUSHROLL INDICATOR LIGHT

| Light Color       | Status  |
|-------------------|---|
| Green, Continuous | The brushroll is spinning and working as it should.   |
| Red, Continuous   | There is a jam in the brushroll area. Turn off and unplug the vacuum, and remove any blockages in the nozzle. |
| No Light          | The brushroll is off.   |

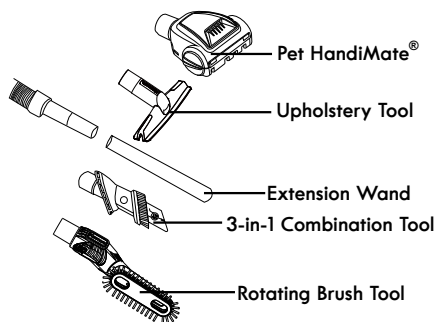


### ABOVE FLOOR MODE

- Place the vacuum cleaner in the upright locked position.
- Pull up to release the flexible hose for above floor cleaning.



- Choose the desired extension wand/ attachments and insert it into the flexible hose.



- Turn on the vacuum cleaner by pressing the switch to the “I” position.
- Once you have completed vacuuming, switch to the “O” position and unplug the power cord from the power outlet.

## OPERATION MODES



### CAUTION

When using attachments, be careful not to over extend the flexible hose when reaching. Trying to reach beyond the hose stretch capability could cause the vacuum cleaner to tip over.



### CAUTION

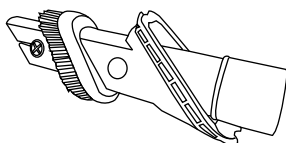
**DO NOT** pull the vacuum cleaner around the room by the hose. Property damage or personal injury could result.

## ATTACHMENTS

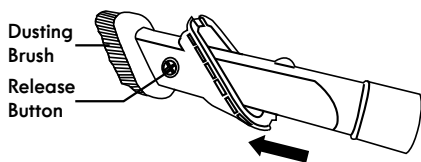
### 3-IN-1 COMBINATION TOOL

The 3-in-1 combination tool can be attached to the end of the flexible hose and the extension wand. Slide the collar of the tool over the open end of the hose or wand.

Use the 3-in-1 combination tool in crevice tool mode for cleaning in tight spaces such as furniture, between cushions, and stairs. See ATTACHMENT USE TABLE (page 13).

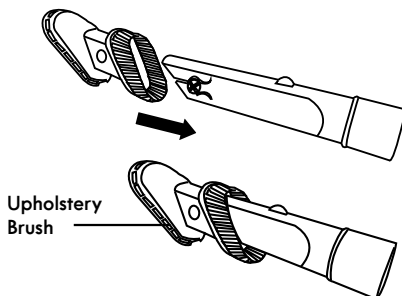


Set the combination tool in dusting brush mode by pressing the release button and sliding the dusting brush side of the brush tool to the end of the combination tool. Use in dusting brush mode for cleaning loose surfaces such as drapes. See ATTACHMENT USE TABLE (page 13).



Press the release button to remove the brush tool. Set the combination tool in upholstery brush mode as shown. Use in upholstery brush mode for cleaning fabric surfaces such as fabric sofa. See

ATTACHMENT USE TABLE (page 13).

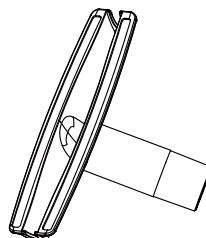


To return the combination tool to crevice tool mode, press the release button and slide the brush tool down the combination tool.

### UPHOLSTERY TOOL

The upholstery tool can be attached to the end of the flexible hose and the extension wand. Slide the collar of the tool over the open end of the hose or wand.

Use the upholstery tool for cleaning fabric surfaces such as fabric sofa and bedsheets. See ATTACHMENT USE TABLE (page 13)



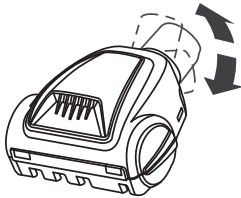
## ATTACHMENTS

### PET HANDIMATE®

The Pet HandiMate® can be attached to the end of the handle or the wand.

Pet HandiMate® pivots for convenient cleaning.

Use Pet HandiMate® for cleaning fabric surfaces such as furniture and carpet. See ATTACHMENT USE TABLE (page 13).

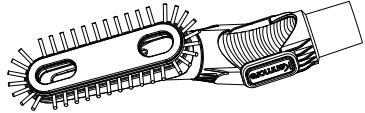


### WARNING

**NEVER** use the Pet HandiMate® directly on pets, as it can cause injury.

### ROTATING BRUSH TOOL







Rotating brush tool can be attached to the handle or wand for overhead cleaning of furniture such as cabinets and shelves. See ATTACHMENT USE TABLE (page 13).



### CAUTION

Use attachments when the vacuum cleaner is upright.

## ATTACHMENT USE TABLE

| ATTACHMENT  | CLEANING AREA |                   |         |        |      |            | ✓ = Applicable |
|---|---------------|-------------------|---------|--------|------|------------|----------------|
|   | Furniture*    | Between Cushions* | Drapes* | Stairs |      | Baseboards |                |
|   |               |                   |         | Carpet | Bare |            |                |
| CREVICE TOOL         | ✓             | ✓                 |         | ✓      | ✓    | ✓          |                |
| DUSTING BRUSH        | ✓             |                   | ✓       | ✓      | ✓    | ✓          |                |
| UPHOLSTERY BRUSH     | ✓             |                   | ✓       |        |      |            |                |
| UPHOLSTERY TOOL      | ✓             |                   | ✓       |        |      |            |                |
| PET HANDIMATE®       | ✓             |                   |         | ✓      |      |            |                |
| ROTATING BRUSH TOOL  | ✓             |                   |         |        |      |            |                |

\*Always clean attachments before using on fabrics.

## PERFORMANCE/SAFETY FEATURES

### THERMAL PROTECTOR

This vacuum cleaner has a thermal protector which automatically trips to protect the vacuum cleaner suction motor. If a clog prevents the normal flow of air to the motor, the thermal protector turns the motor off automatically. This allows the motor to cool in order to prevent possible damage to the vacuum cleaner.

**To reset thermal protector:** Turn the vacuum cleaner off and unplug the power cord from the outlet to allow the vacuum cleaner to cool and the thermal protectors to reset.



### CAUTION

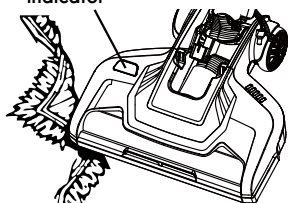
Always return the vacuum cleaner to the upright position before using the hose and attachments. Failure to do so may result in overheating of the brushroll motor and can cause the thermal protectors to trip.

Check for and remove clogs, and empty dust cup if necessary. Also check and replace any clogged filters. Wait approximately 50 minutes before restarting vacuum cleaner.

### BRUSHROLL RESET

The brushroll has built-in protection against motor damage should the brushroll jam. If the brushroll slows down or stops, the brushroll overload protector shuts off the brushroll motor and the brushroll status indicator emits red light. The vacuum cleaner suction motor will continue to run.

Brushroll Status Indicator



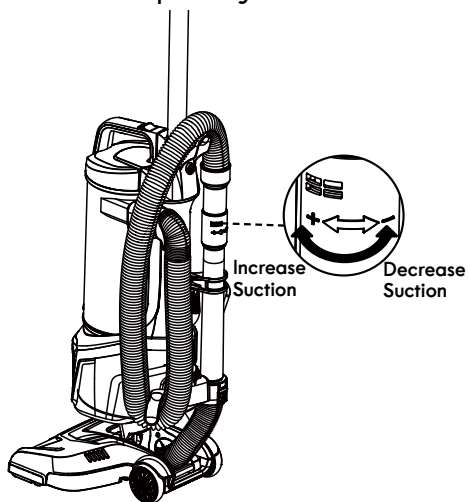
**To correct problem:** Turn off and unplug the vacuum cleaner, remove obstruction, then turn on the vacuum cleaner.

**NOTE:** Once the brushroll motor shuts down, clear jam from the brushroll before resetting.

If the problem persists, contact the vacuum cleaner help line for assistance.

### SUCTION CONTROL

The suction control allows you to change the vacuum cleaner suction for different fabric and carpet weight.



- Rotate to “+” to increase suction on bare floors.
- Rotate to “-” to reduce suction and increase maneuverability on carpets.

## VACUUM MAINTENANCE AND CARE

Always follow all safety precautions when performing maintenance to the vacuum cleaner.



### WARNING

#### Electrical Shock and Personal Injury Hazard

Disconnect electrical supply before servicing or cleaning the vacuum cleaner. Failure to do so could result in electrical shock or personal injury from vacuum cleaner suddenly starting.

## CLEANING EXTERIOR AND ATTACHMENTS

1. Turn off and unplug vacuum cleaner. DO NOT drip water on vacuum cleaner.
2. To clean exterior, or to reduce static electricity and dust build-up, wipe outer surface with a clean, soft cloth that has been dipped in a solution of mild liquid detergent and water, then wrung dry. Wipe dry after cleaning.

**NOTE:** Wash attachments in warm soapy water, rinse and air dry. Do not clean in dishwasher.



### CAUTION

Do not use attachments if they are wet. Attachments used in dirty areas, such as under a refrigerator, should not be used on other surfaces until they are washed. They could leave marks.

## VACUUM CLEANER STORAGE



### WARNING

#### Electrical Shock and Personal Injury Hazard

Wrapping the cord too tightly puts stress on the cord and can cause cord damage. A damaged cord is an electrical shock hazard and could cause personal injury or damage.

1. Replace flexible hose and attachments in storage position if necessary (see page 7 & 8).
2. Gather the cord and wrap it loosely around the upper and lower cord hooks. Lock plug retainer onto the power cord.
3. Store the vacuum cleaner in a dry, indoor area, on the floor with the handle locked in the upright position.

## EMPTYING DUST CUP

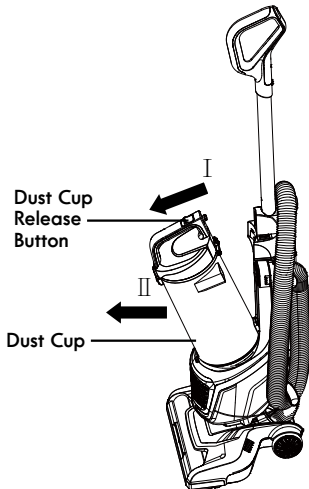


### WARNING

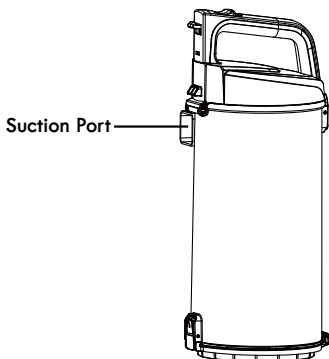
Always unplug power cord from electrical outlet before performing any service on vacuum cleaner.

**NOTE:** For best performance, empty dust cup after every use. Never operate vacuum cleaner without dust cup and filters in place.

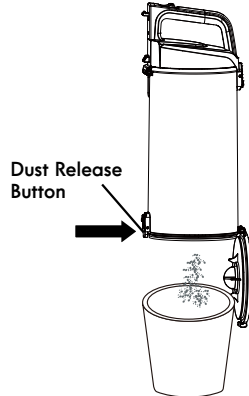
1. Slide the dust cup release button to remove the dust cup from the main body.



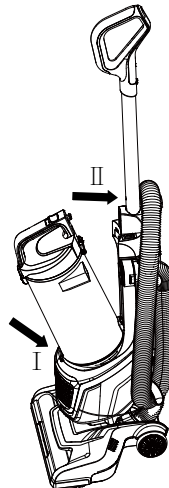
2. Remove any clogs that might be located in the suction port.



3. Position dust cup area of vacuum over a waste receptacle. Press down on the dust release button to open dust cup lid and allow contents to drop into waste receptacle.



4. Shake the dust cup to release any debris that might hang in the pre-filter.
5. Reinstall and insert the dust cup into the slots on the bottom of the main body, then press the dust cup into locked slot and click into place.





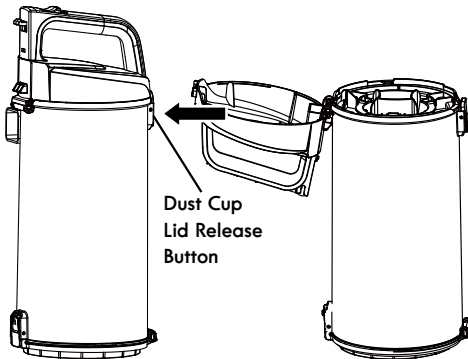
## PRE-FILTER CLEANING

The pre-filter is located inside the dust cup. Clean the pre-filter as needed to optimize suction power. If suction remains weak after tapping the pre-filter clean, it will be necessary to wash it to clean off accumulated dust or hair. It is also recommended to wash the pre-filter every three months. See wash instructions in the NOTE to step 4.

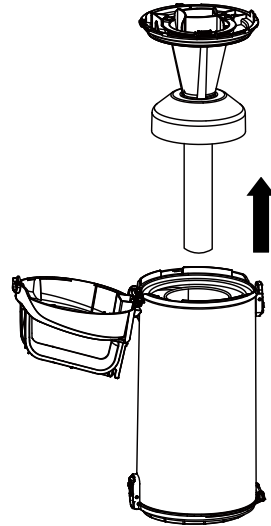
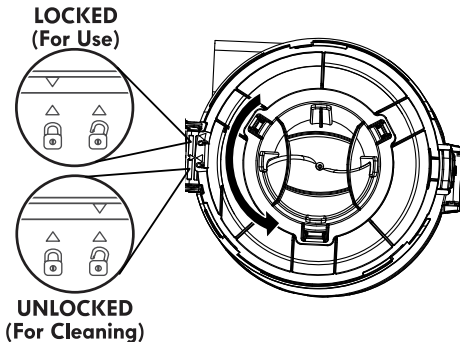
1. Remove the dust cup as outlined in the **EMPTYING DUST CUP** (page 16).

**NOTE:** Make sure dust cup is free of debris before opening.

2. Press the dust cup lid release button, and open the lid.



3. Grasp pre-filter and rotate counterclockwise as shown to remove.



4. Clean pre-filter by gently tapping over a trash container. Tap on several sides to ensure best cleaning.

**NOTE:** If necessary, rinse with cold water only, DO NOT use detergent or soap. Allow parts to dry 24 hours before putting back into vacuum cleaner.

DO NOT wash in the dishwasher.

DO NOT install damp.

5. Place the pre-filter back into the dust cup. Grasp pre-filter and rotate clockwise to lock into place.
6. Reinstall the dust cup into the main body. See installation instructions in the **EMPTYING DUST CUP** (page 16).

## FOAM AND FELT FILTERS CLEANING

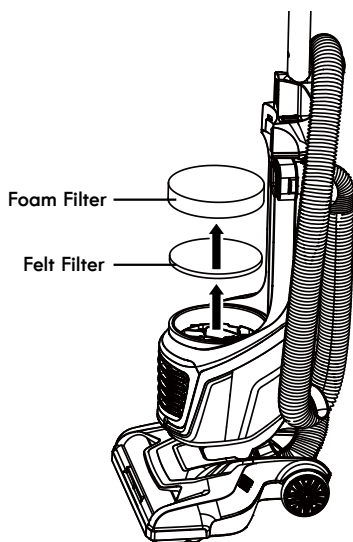
It is recommended to clean the foam and felt filters with cold water every three months.

**NOTE:** When the cleaning of filters no longer restores vacuum cleaner suction to full power, or the filters are worn or broken, replace the filters. To purchase filters, call 1-877-531-7321 (US) / 1-844-608-3081 (CA).

Regularly clean and replace the filters to keep the vacuum's suction power optimal.

1. Remove the dust cup as outlined in the **EMPTYING DUST CUP** (page 16).

2. Remove the foam and felt filters



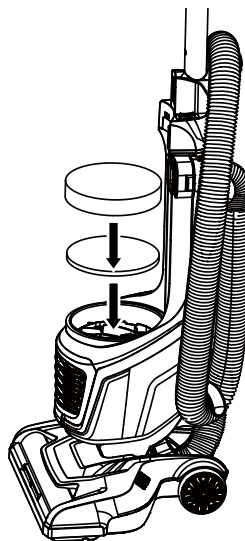
3. Wash with cold water only, **DO NOT** use detergent or soap. Squeeze by hand and allow to air dry. Allow all filters to dry 24 hours before putting back into vacuum cleaner.

**NOTE:** **DO NOT** operate without foam and felt filters installed.

**DO NOT** wash in the dishwasher.

**DO NOT** install foam and felt filters if damp.

4. Replace foam and felt filters into the vacuum cleaner.



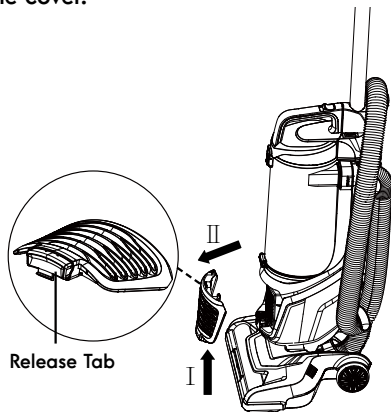
5. Reinstall the dust cup. See **EMPTYING DUST CUP** (page 16).

## HEPA MEDIA EXHAUST FILTER CLEANING

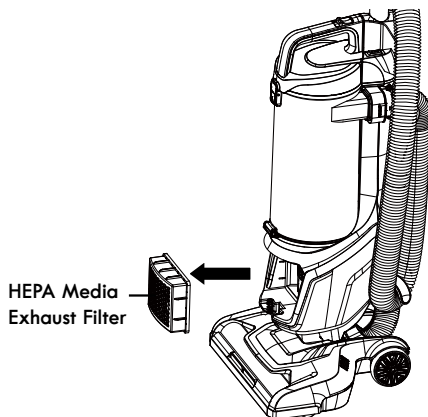
It is recommended to clean the HEPA media exhaust filter with cold water every year.

**NOTE:** When the cleaning of the filter no longer restores vacuum cleaner suction to full power, or the filter is worn or broken, replace the exhaust filter. To purchase the exhaust filter, call 1-877-531-7321 (US) / 1-844-608-3081 (CA).

1. Remove the exhaust filter cover by pressing the release tab at the bottom of the cover.



2. Remove the HEPA media exhaust filter from vacuum cleaner.



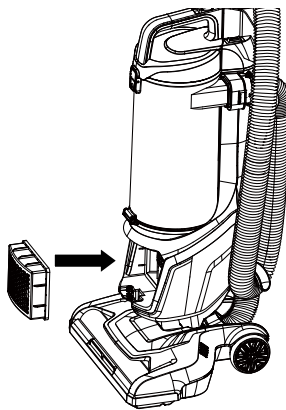
3. Wash with cold water only, DO NOT use detergent or soap. Allow to air dry. Allow parts to dry 24 hours before putting back into vacuum cleaner.

**NOTE:** DO NOT operate without exhaust filter installed.

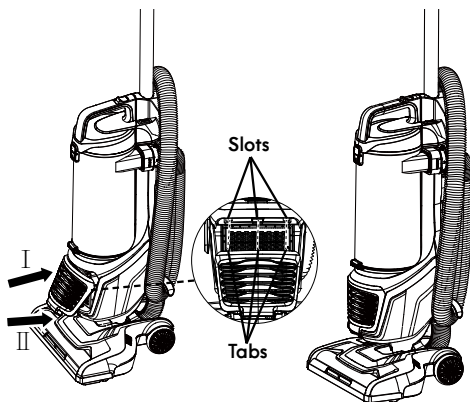
DO NOT wash in the dishwasher.

DO NOT install the filter if damp.

4. Replace the HEPA media exhaust filter into the vacuum cleaner.



5. Insert the exhaust filter cover tabs into the upper slots and lock the filter cover into place by pressing the lower part of the cover until a click is heard.



## BELT CHANGING



### WARNING

Always unplug power cord from electrical outlet before performing maintenance to the vacuum cleaner.

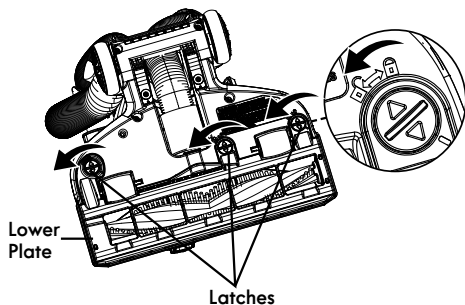
Replace belt whenever a burning rubber smell caused by excessive slippage occurs.

1. Lay the vacuum cleaner on floor with the bottom up and motorized nozzle flat.
2. Use a coin to release the lower plate by rotating the three lower plate latches counterclockwise to the UNLOCK position. Lift off the lower plate.

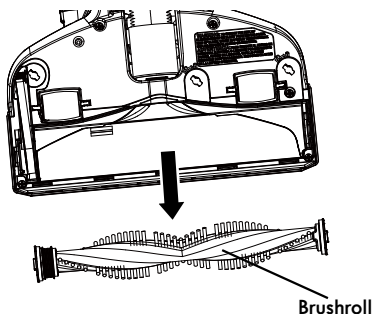


### CAUTION

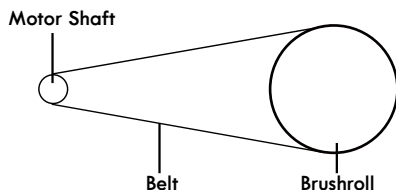
Motor shaft may be hot.



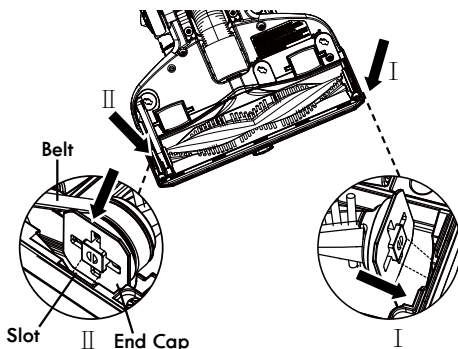
3. Remove the brushroll by carefully lifting it out.



4. Remove the worn or broken belt.
5. Use scissors to remove any entangled hair around the brushroll. Clean any debris from the motorized nozzle.
6. Loop new belt around the motor shaft and brushroll.

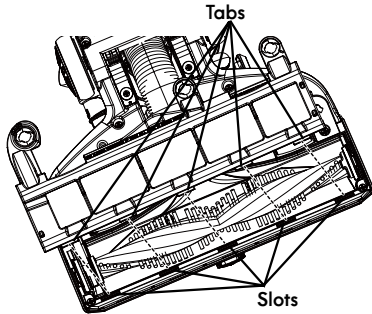


7. Reinstall the brushroll back into nozzle by placing end caps into slots. First align the end cap of non-belt side of the brushroll with the slot and insert it into place. Then press down the end cap of the belt side firmly into the slot until a click is heard. Check the brushroll to ensure it rotates smoothly.

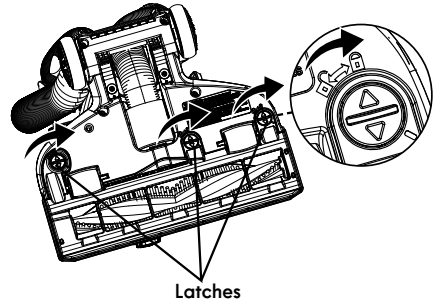


## BELT CHANGING

8. Reinstall the lower plate by aligning tabs on front edge of lower plate with slots in the nozzle, inserting the tabs into place, and then rotating the lower plate to installed position.



9. Press the lower plate onto nozzle until a click is heard and secure by rotating the lower plate latches clockwise to the LOCK position.

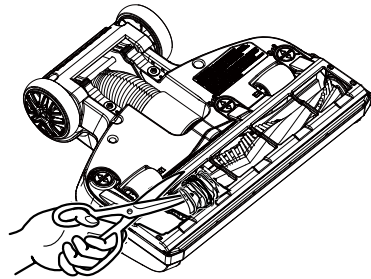


## BRUSHROLL CLEANING

### WARNING

Always unplug the power cord from an electrical outlet before performing maintenance to the vacuum cleaner.

To maintain efficient cleaning, the brushroll must be kept free of carpet fiber, string, or hair build-up. After every 7 to 10 uses or when the brushroll is jammed, unplug and turn vacuum cleaner over and check brushroll for fiber and hair build-up. Use scissors to remove any build-up entangled around the brushroll.



## PET HANDIMATE® CLEANING

### WARNING

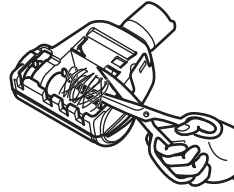
Always unplug the power cord from an electrical outlet before performing maintenance to the vacuum cleaner.

### CAUTION

To reduce the risk of injury from moving parts, remove Pet HandiMate® from vacuum hose or wand before servicing.

# PET HANDIMATE® CLEANING

Cut off any carpet pile and lint entangled around brushroll with a pair of scissors.



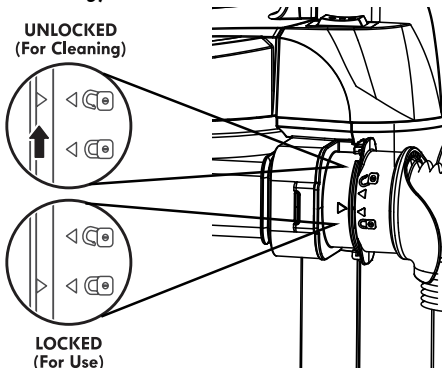
## REMOVING CLOGS

### CHECKING FLEXIBLE HOSE FOR CLOGS

If there is noticeable abnormal noise when using the vacuum or the suction power suddenly drops, it is necessary to check the flexible hose for clogs.

Frequently check air path to make sure it is free of obstructions.

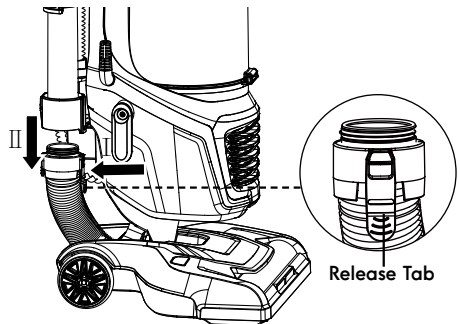
1. Remove attachments from the wand end of flexible hose.
2. Remove the flexible hose end from the main body by rotating the hose until marks align as shown in UNLOCKED (for cleaning).



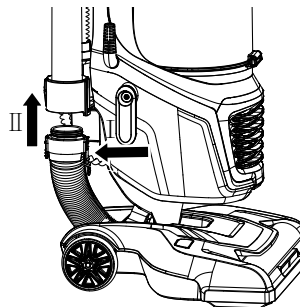
3. Remove hose end, check and remove any clogs in the flexible hose.
4. Reinstall the flexible hose to the vacuum cleaner. See ASSEMBLY INSTRUCTIONS (page 7 & 8).

### CHECKING CONNECTION HOSE FOR CLOGS

1. Press the release tab on hose cuff, and pull the connection hose away from the main body.



2. Check and remove any clogs in the hose.
3. Press the release tab, and reinsert the connection hose to the vacuum cleaner until a click is heard.



## TROUBLESHOOTING

Review this table to find do-it-yourself solutions for minor performance problems. Any service needed, other than maintenance described in this Use & Care Guide, should be performed by a qualified service agent.



### **WARNING**

**Disconnect electrical supply before performing maintenance to the vacuum cleaner. Failure to do so could result in electrical shock or personal injury.**

| <b>PROBLEM</b>               | <b>POSSIBLE CAUSE</b>  | <b>SOLUTION</b>  |
|------------------------------|--|--|
| Vacuum cleaner will not run. | Unplugged at wall outlet.  | Plug in firmly, press the On/Off switch to "I" or "II" position.   |
|                              | The On/Off switch is not pressed to start the vacuum cleaner.                  | Press the On/Off switch to "I" or "II" position.   |
|                              | The vacuum body is overheated.   | Unplug the power cord and let the vacuum cool down for 50 minutes.   |
|                              | The motor is damaged.  | Call 1-877-531-7321 (US) / 1-844-608-3081 (CA) for assistance.   |
|                              | Defective wall outlet.   | Check with a good appliance or lamp. Be sure the power cord plug is fully plugged into a good wall outlet. |
| Poor job of dirt pick-up.    | Full or clogged dust cup.  | Empty the dust cup (page 16).  |
|                              | Filters need cleaning.   | Follow filter cleaning instructions on page 17-19.   |
|                              | The brushroll or belt is worn or broken.                                       | Replace the brushroll or belt. To purchase parts, call 1-877-531-7321 (US) / 1-844-608-3081 (CA).          |
|                              | The flexible hose is worn.   | Replace the hose. To purchase parts, call 1-877-531-7321 (US) / 1-844-608-3081 (CA).                       |
|                              | The connection hose is worn.   | Call 1-877-531-7321 (US) / 1-844-608-3081 (CA) for assistance.   |
|                              | The foam and felt filters are dirty or worn.                                   | Clean the foam and felt filters. Replace if they are worn or broken. Follow instructions on page 18.       |
|                              | There is a clog in the flexible hose or connection hose of the vacuum cleaner. | Check and remove all clogs. Follow instructions on page 22.  |
|                              | Dust cup is not installed well.  | Check dust cup for correct installation and ensure it is snapped firmly in place.                          |
|                              | The hose or attachments are not installed well.                                | Check the hose and attachments for correct installation and ensure they are snapped firmly in place.       |

## TROUBLESHOOTING

|  |  |   |
|--|--|---|
|  | Suction control is in open position.                                 | Adjust the suction control to increase suction. Follow instructions on page 14.   |
| Dust escapes from the vacuum.                              | HEPA media exhaust filter is damaged and needs to be replaced.       | Replace the exhaust filter. To purchase parts, call 1-877-531-7321 (US) / 1-844-608-3081 (CA).  |
|  | Dust cup is installed incorrectly.                                   | Position dust cup correctly and snap firmly in place.   |
|  | HEPA media exhaust filter is installed incorrectly.                  | Check exhaust filter for correct installation. Follow instructions on page 19.  |
| Brushroll does not turn.                                   | Brushroll is jammed.   | Remove obstruction. Follow instructions on page 20.   |
|  | Brushroll is not installed well.                                     | Remove brushroll and reinstall following instructions on page 20.   |
|  | The belt is worn or broken.  | Replace the belt. To purchase parts, call 1-877-531-7321 (US) / 1-844-608-3081 (CA).  |
|  | The belt is not routed correctly.                                    | Check the belt routing on page 20.  |
|  | Fault in the brushroll motor or PCB section of the motorized nozzle. | Call 1-877-531-7321 (US) / 1-844-608-3081 (CA) for assistance.  |
| Airflow restricted with attachments in use; sound changes. | Attachments use restricts air flow.                                  | Check attachments for fuzz, lint, pet hair or other debris.   |
|  | New carpet fuzz clogged air path.                                    | Check for and remove any clogs and clean the hose.  |
|  | HEPA media exhaust filter is installed incorrectly.                  | Check exhaust filter and the exhaust filter cover for correct installation. Ensure the filter cover is snapped firmly in place.         |
| Vacuum turns off on its own.                               | Thermal protector is activated.                                      | Turn the vacuum cleaner off and unplug it. Allow the vacuum cleaner to cool for a minimum of 50 minutes. Plug in vacuum and turn it on. |
|  | The power cord plug is loose from the outlet when using the vacuum.  | Reinsert the power cord plug fully into the outlet. Avoid pulling or dragging the power cord when using the vacuum.                     |
|  | The motor is damaged.  | Call 1-877-531-7321 (US) / 1-844-608-3081 (CA) for assistance.  |
| Brushroll status indicator light emits red.                | There is a jam in the brushroll area.                                | Turn off and unplug the vacuum, and remove any blockages in the nozzle. See page 14.  |
|  | Fault in the brushroll motor or PCB section of the motorized nozzle. | Call 1-877-531-7321 (US) / 1-844-608-3081 (CA) for assistance.  |



## TABLA DE CONTENIDOS

|   |                    |
|---|--------------------|
| Antes de usar su nueva aspiradora.....        | 1                  |
| Lista de piezas incluidas .....               | 1                  |
| Instrucciones de seguridad importantes.....   | 2-3                |
| Garantía de la aspiradora Kenmore .....       | 4                  |
| Piezas y características .....                | 5                  |
| Instrucciones de ensamblaje.....              | 6-7                |
| Instrucciones de uso .....                    | 8-13               |
| Desempeño/características de seguridad.....   | 14                 |
| Mantenimiento y cuidado de la aspiradora..... | 15-23              |
| Resolución de problemas.....                  | 24-26              |
| Información de asistencia o servicio .....    | Posterior Cubierta |

## ANTES DE USAR SU NUEVA ASPIRADORA

Lea esta guía de uso y cuidado. Lo ayudará a ensamblar y operar su nueva aspiradora Kenmore de la manera más segura y efectiva posible.

Para mas información acerca del cuidado y operación de esta aspiradora, llame a la Línea de Ayuda de Aspiradoras al 1-877-531-7321 (US) / 1-844-608-3081 (CA). Cuando pregunte por información usted necesitará el número completo de serie y modelo de la aspiradora que está localizado en la placa de los números de modelo y serie.

El modelo de su aspiradora y los números de serie se ubican en la placa de modelo y número de serie. Use el siguiente espacio para registrar el número de modelo y el número de serie de su nueva aspiradora Kenmore.

N° de modelo \_\_\_\_\_

N° de serie \_\_\_\_\_

Fecha de compra \_\_\_\_\_

Guarde este libro y su boleta (recibo) de venta en un lugar seguro para usarlos como referencia a futuro.

## LISTA DE PIEZAS INCLUIDAS

Su ASPIRADORA KENMORE posee las siguientes piezas y componentes ensamblados por separado en la caja:

- |                                 |                         |
|---------------------------------|-------------------------|
| 1 Aspiradora vertical sin bolsa | 1 Vara de extensión     |
| 1 Herramienta combinada         | 1 Manguera flexible     |
| 1 Herramienta para tapizado     | 1 Empuñadura            |
| 1 Pet HandiMate®                | 1 Perno de tornillo     |
| 1 Ventilador giratorio          | 1 Guía de uso y cuidado |

## INSTRUCCIONES DE SEGURIDAD IMPORTANTES

Lea todas las instrucciones de esta guía antes de ensamblar o usar su aspiradora.

### **ADVERTENCIA:**

Su seguridad es importante para nosotros. Para reducir el riesgo de incendio, descarga eléctrica, lesiones a personas o daños al utilizar su aspiradora, siga las precauciones de seguridad básicas, incluidas las siguientes:

- Utilice solo su aspiradora solo como se indica en esta guía de uso y cuidado. Utilice solo los aditamentos recomendados por del fabricante.
- Desconecte el suministro de alimentación antes de reparar o limpiar la zona de cepillado. No hacerlo podría provocar que el cepillo se encienda inesperadamente, provocando lesiones personales mediante las piezas móviles.
- No deje la aspiradora sin supervisión en caso de que esté conectada. Desconéctela del tomacorriente cuando no esté en uso y antes de realizarle mantenimiento.
- Para reducir el riesgo de descarga eléctrica, no utilice el producto en exteriores ni sobre superficies mojadas.
- No permita que se utilice como un juguete. Se debe prestar estricta atención cuando el aparato lo usen niños o cuando se use cerca de ellos.
- No utilice si el enchufe o cable están dañados. Si la aspiradora no funciona como debiera o si se ha caído, dañado, dejado en exteriores o sumergido bajo el agua, discontinuar inmediatamente use y llame al 1-877-531-7321 (US.) / 1-844-608-3081 (CA) para obtener ayuda.
- No tire o transporte el aparato utilizando el cable como a modo de asa, no apriete el cable al cerrar puertas ni pase el cable cerca de bordes afilados o esquinas. No use la aspiradora sobre su cable. Mantenga el cable alejado de superficies calientes.
- No desconecte tirando del cable. Para desconectarlo tire de la clavija, no del cable.
- No manipule el enchufe o la aspiradora con las manos mojadas.
- No ponga objetos sobre las aberturas.
- No lo utilice si las aberturas están bloqueadas; tenga cuidado que no haya polvo, cabellos, pelusas en las aberturas o cualquier cosa que pueda reducir el flujo de aire.
- Mantenga su cabello, ropas holgadas, dedos y partes de su cuerpo lejos de las aberturas y piezas móviles del producto.
- Apague todos los controles antes de desconectar el dispositivo.
- Tenga precaución adicional al limpiar en escaleras.
- No la ponga sobre sillas, mesas, etc. Manténgala sobre el piso.
- No utilice la aspiradora para aspirar líquidos inflamables o combustibles (gasolina, líquidos de limpieza, perfumes, etc.) ni tampoco la utilice en lugares donde tales líquidos puedan estar presentes. Los gases de esas sustancias pueden crear un peligro de incendio o explosión.
- No aspire elementos que estén en llamas o humeando, tales como cigarrillos, fósforos o cenizas calientes.
- No use la aspiradora sin el contenedor de polvo ni filtros instalados.
- Limpie siempre el contenedor de polvo

## IMPORTANT SAFETY INSTRUCTIONS

después de aspirar limpiadores o aromatizantes de alfombras, polvo y polvillo fino. Estos productos se pegan a los filtros, reducen el caudal de aire y pueden provocar daños a la aspiradora. No limpiar el contenedor de polvo podría causar daños permanentes a la aspiradora.

- No use la aspiradora para aspirar objetos afilados, juguetes pequeños, sujetapapeles, etc., ya que podría dañar la aspiradora o el contenedor de polvo.
- Usted es responsable de asegurarse de que nadie capacitado para usar su aspiradora la utilice.

## GUARDE ESTAS INSTRUCCIONES

El correcto ensamblaje y el uso seguro de su aspiradora son su responsabilidad. Su aspiradora está hecha sólo para uso doméstico. Lea esta guía de uso y cuidado para obtener información importante sobre uso y seguridad. Esta guía contiene afirmaciones de seguridad bajo símbolos de advertencia y precaución.

**La certificación AllergenSeal™ le permite estar seguro de que esta aspiradora atrapa al 99.97% de todo el polvo y partículas dentro de su aspiradora, manteniéndolas fuera del aire que respira.**

## **GARANTÍA DE LA ASPIRADORA KENMORE**

### **GARANTÍA LIMITADA KENMORE**

DURANTE UN AÑO a contar de la fecha de venta, este producto está garantizado contra defectos en sus materiales o fabricación.

Un producto defectuoso recibirá una reparación gratuita con la única condición de presentar una PRUEBA DE VENTA. Si el producto no puede repararse, se reemplazará por otro sin costo.

La marca Kenmore se utiliza bajo licencia. Dirija sus reclamaciones de garantía a: Cleva North America, Inc., 1-877-531-7321 (US) / 1-844-608-3081 (CA).

Esta garantía no cubre los filtros ni las correas, ya que son piezas desechables que pueden desgastarse con el uso normal dentro del periodo de la garantía.

Esta garantía queda nula si el producto llega a usarse para algún propósito que no sea el uso privado doméstico.

Esta garantía le entrega derechos legales específicos que pueden variar según su estado, ya que podría tener otros derechos adicionales.

Cleva North America, Inc., Greenville SC 29607

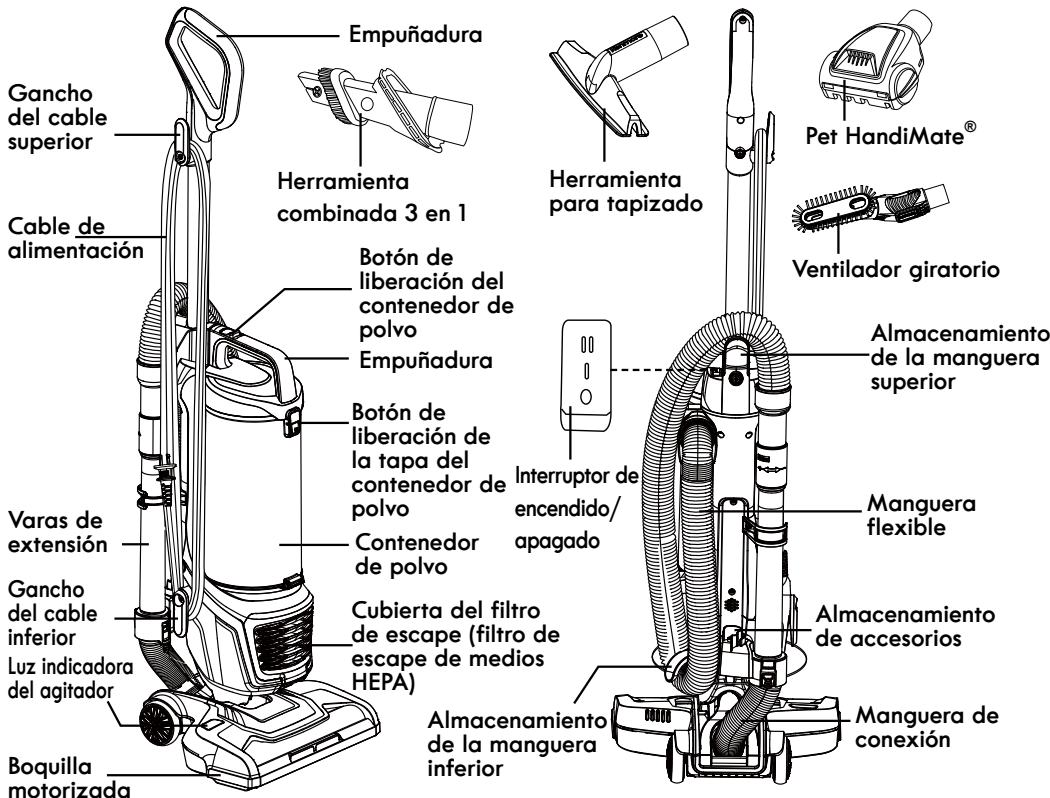
# PIEZAS Y CARACTERÍSTICAS

Es importante conocer las partes y características de su aspiradora para garantizar su uso adecuado y seguro. Revise estas indicaciones antes de usar su aspiradora.

## PIEZAS DE REPUESTO

| Pieza                           | Pieza No. (US) | Pieza No. (CA) |
|---------------------------------|----------------|----------------|
| Filtro de espuma                | 561055105      | 561055105      |
| Filtro de fieltro               | 561055106      | 561055106      |
| Filtro de escape de medios HEPA | 561055118      | 561055118      |
| Correa                          | KC28SEDCZ000   | KC28SEDCZ000   |
| Herramienta combinada 3 en 1    | 561055134      | 561055134      |
| Herramienta para tapizado       | 561055176      | 561055176      |
| Ventilador giratorio            | 561060176      | 561060176      |
| Pet HandiMate®                  | 561014106      | 561014106      |
| Varas de extensión              | 561055128      | 561055128      |
| Manguera flexible               | 561055129      | 561055129      |
| Perno de tornillo               | 561055131      | 561055131      |

Para ordenar filtros de reemplazo llamando al 1-877-531-7321 (US) / 1-844-608-3081 (CA).





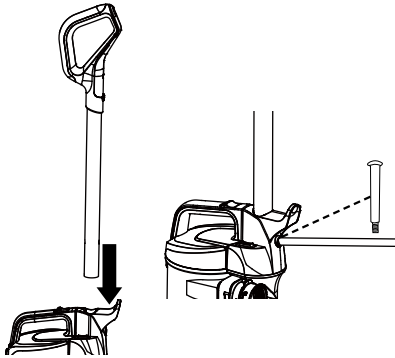
Preste especial atención a estos cuadros de alerta de peligro y siga todas las instrucciones indicadas. Las declaraciones de **ADVERTENCIA** lo alertan sobre riesgos tales como incendio, descarga eléctrica, quemaduras y lesiones personales. Las declaraciones de **PRECAUCIÓN** lo alertan sobre riesgos tales como lesiones personales o daño a la propiedad.

## INSTRUCCIONES DE ENSAMBLAJE

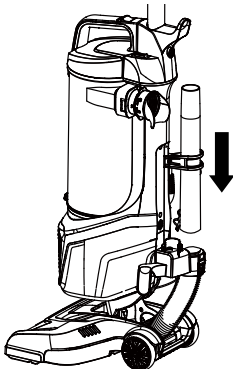
Antes de armar la aspiradora, revise la LISTA DE PIEZAS INCLUIDAS (página 1). Utilice esta lista para comprobar que ha recibido todos los componentes de su nueva aspiradora vertical sin bolsa Kenmore.

1. Inserte la manilla en la unidad principal y fíjela usando uno de los pernos de tornillo incluidos.

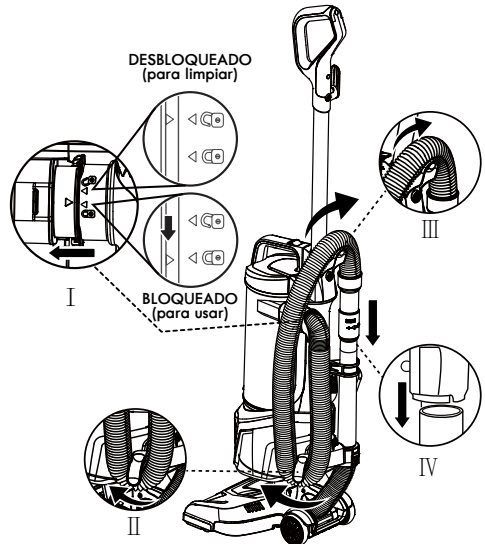
**NOTA:** apriete el perno de tornillo con un destornillador o moneda. Asegúrese de que el perno de tornillo esté asegurado.



2. Inserte el extremo más grande de la vara de extensión en la parte superior de la manguera de conexión mediante la abrazadera hasta que la vara quede totalmente asentada en el poste.

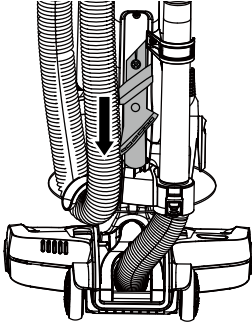


3. Inserte el extremo de la manguera flexible en la unidad principal alineando las marcas de DESBLOQUEADO (para limpiar). Gire la manguera hasta que las marcas BLOQUEADO (para usar) se alineen. Luego, pase la manguera flexible sobre el almacenamiento de la manguera inferior y superior. Inserte el otro extremo en la parte superior de la vara de extensión.



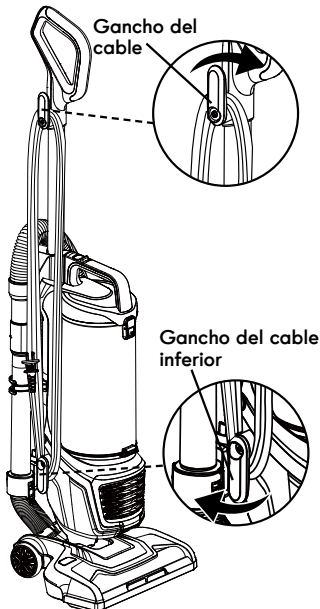
## INSTRUCCIONES DE ENSAMBLAJE

4. Inserte la herramienta combinada en el poste de almacenamiento de accesorios de la parte posterior de la unidad principal.

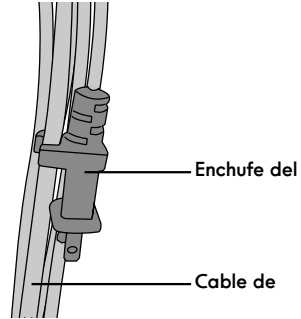


5. Asegúrese de que los ganchos superior e inferior del cable estén en la posición correcta como se indica. Envuelva el cable de alimentación sin apretar alrededor de los ganchos del cable superior e inferior.

**NOTA:** asegúrese de enrollar el cable de alimentación en el gancho superior primero y, luego, alrededor del gancho inferior para así evitar dañar el cable.



6. Fije el enchufe correspondiente al cable de alimentación.



### ADVERTENCIA

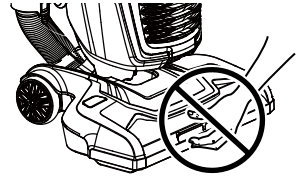
riesgo de descarga eléctrica y lesiones personales.

Enrollar el cable demasiado firme y con tensión excesiva puede provocar daños. Un cable dañado representa un peligro de descarga eléctrica y podría causar lesiones a las personas o daños.

## INSTRUCCIONES DE USO

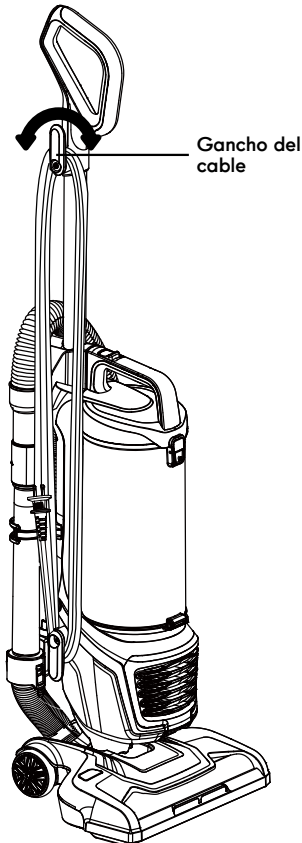
### PRECAUCIÓN

¡Piezas móviles! Para reducir el riesgo de lesiones personales, **NO** toque el agitador mientras la aspiradora esté encendida. Tocar el agitador mientras está girando puede cortar, golpear o provocar otras lesiones. Apague siempre el producto antes de repararlo. Tenga cuidado al usarlo cerca de niños o mascotas.



## CABLE DE ALIMENTACIÓN: LIBERACIÓN Y USO

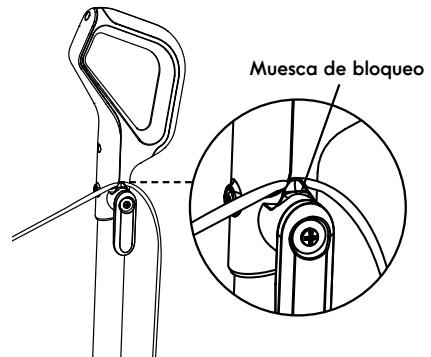
1. Gire el gancho del cable superior hacia ambos lados para liberar el cable de alimentación.



### ADVERTENCIA

Para reducir el riesgo de descarga eléctrica, este electrodoméstico posee un enchufe polarizado (una punta es más ancha que la otra). Este enchufe calzará en el tomacorriente de pared polarizado solo en una posición. Si el enchufe no entra completamente en el tomacorriente, póngalo al revés. Si aún no calza, contacte a un técnico electricista calificado que pueda ayudarle a instalar el tomacorriente indicado. No modifique el enchufe de ningún modo.

2. Separe el enchufe del cable de alimentación.
3. Asegúrese de que el cable de alimentación esté bloqueado en la muesca de bloqueo superior como se indica. Esto ayudará a controlar el cable de alimentación mientras se está usando la aspiradora.





## CABLE DE ALIMENTACIÓN: LIBERACIÓN Y USO

4. Enchufe el cable de alimentación a un tomacorriente que se encuentre cerca del piso.



### ADVERTENCIA

riesgo de daños al producto y lesiones personales

• Cuando ocurra una anomalía/falla, deje de usar el producto inmediatamente y desconecte el enchufe.

• **NO** utilice tomacorrientes que estén sobre mesones o mesas. El cable podría dañar algunos artículos o al área circundante.

5. Presione el interruptor de encendido/apagado para encender la aspiradora.
6. Cuando haya terminado de aspirar, presione el interruptor de encendido/apagado y desconecte la clavija del

cable de alimentación de la toma de corriente.

7. Para restablecer el cable de alimentación después de usar, coloque el gancho superior en posición recta. Luego, enrolle el cable con holgura en los ganchos.



### ADVERTENCIA

riesgo de descarga eléctrica y lesiones personales

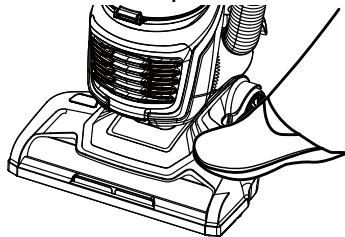
Enrollar el cable demasiado firme aplica tensión sobre el mismo y puede provocar daños. Un cable dañado es un peligro de descarga eléctrica y podría provocar lesiones personales o daños

## MODOS DE FUNCIONAMIENTO

### MODO RECTO

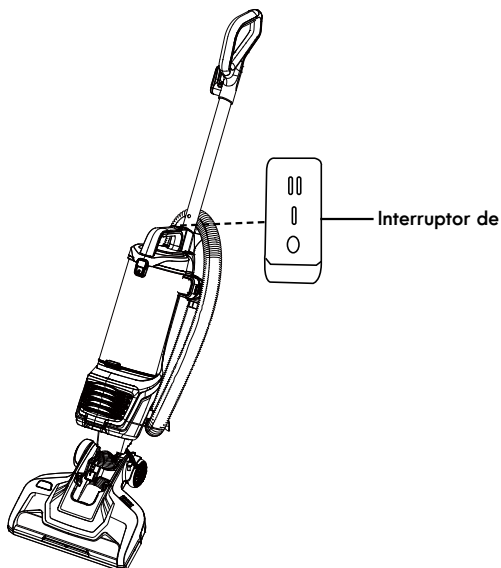
**NOTA:** asegúrese de que la aspiradora esté completamente ensamblada y que el contenedor de polvo esté vacío antes de usar la aspiradora. No use la aspiradora sin los filtros instalados.

1. Suelte la empuñadura colocando el pie sobre la boquilla y tire para cambiar la posición de la empuñadura.



2. Encienda la aspiradora colocando el interruptor de encendido/apagado en la posición "I" para limpiar pisos lisos y pequeños cubrepisos.

**NOTA:** el agitador no gira cuando la aspiradora está en posición "I".



## MODOS DE FUNCIONAMIENTO

3. Coloque el interruptor en la posición "II" para limpiar aspiradoras o cubrepisos.

**NOTA:** el agitador gira cuando la aspiradora está en posición "II".



### PRECAUCIÓN

No deje la aspiradora en un solo lugar por ninguna cantidad de tiempo mientras el agitador esté encendido. Podría dañar la alfombra.

4. Tras haber terminado de aspirar, mueva el interruptor a la posición "O" y desconecte el cable de alimentación de la toma de corriente.

**NOTA:** seleccione el modo recto al usar esta aspiradora. No coloque el interruptor en la posición "II" al limpiar pisos lisos ya que, de lo contrario, dañará el piso.

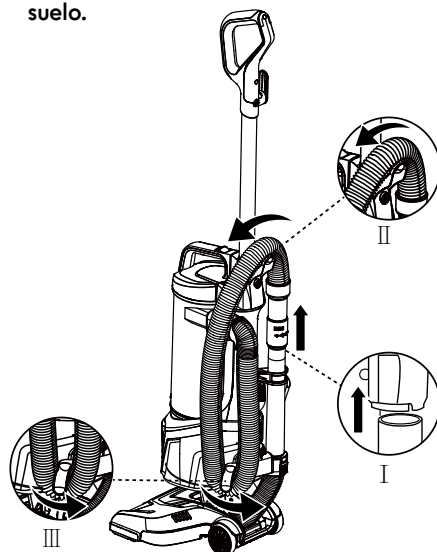
### LUZ INDICADORA DEL AGITADOR

| Color de la luz | Estado  |
|-----------------|---|
| Verde, continuo | El agitador está girando y funcionando como debería.                            |
| Rojo, continuo  | Hay un atascamiento en el área del agitador. Apague y desenchufe la aspiradora. |
| No hay luz      | El agitador está apagado.   |

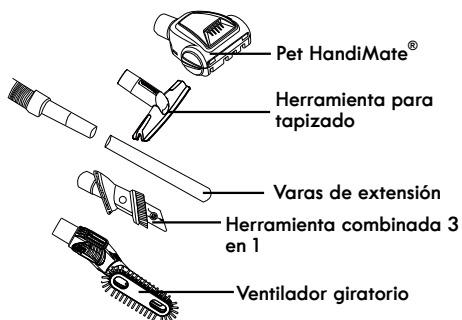


### MODO SOBRE EL SUELO

- Coloque la aspiradora en posición de bloqueo recta.
- Tire hacia arriba para liberar la manguera flexible y así limpiar sobre el suelo.



- Elija la vara de extensión o accesorio deseado e insértelo en la manguera flexible.



- Encienda el motor moviendo el interruptor de encendido a la posición "I".
- Tras haber terminado de aspirar, mueva el interruptor a la posición "O" y desconecte el cable de alimentación de la toma de corriente.

## MODOS DE FUNCIONAMIENTO



### PRECAUCIÓN

Al usar accesorios, tenga cuidado de no estirar la manguera flexible más de la cuenta. Estirar la manguera más allá de su capacidad podría provocar que la aspiradora se vuelque.



### PRECAUCIÓN

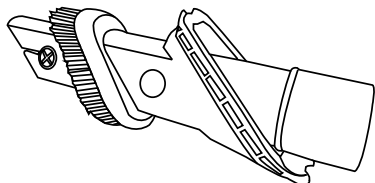
NO tire de la manguera para mover la aspiradora dentro de la habitación. Podrían producirse daños a la propiedad o lesiones personales.

## ACCESORIOS

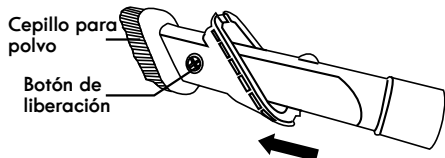
### HERRAMIENTA COMBINADA 3 EN 1

La herramienta combinada 3 en 1 se puede fijar al extremo de la manguera flexible y de las varas de extensión. Deslice el collar de la herramienta sobre el extremo abierto de la manguera o vara.

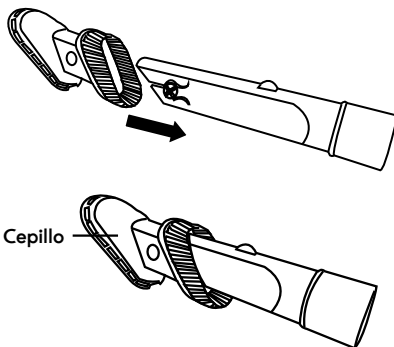
Utilice la herramienta combinada 3 en 1 en modo herramienta para hendiduras para limpiar espacios angostos en muebles, entre cojines y en escaleras. Consulte la TABLA DE USO DE ACCESORIOS (página 12).



Configure la herramienta combinada en modo cepillo para limpiar polvo presionando el botón de liberación y deslizando el costado con cepillo de la herramienta hacia el extremo de la herramienta combinada. Use en modo cepillo para limpiar polvo para limpiar superficies holgadas, como cortinas. Consulte la TABLA DE USO DE ACCESORIOS (página 12).



Presione el botón de liberación para sacar el cepillo para limpiar polvo. Configure la cepillo combinada en modo tapizado como se indica. Use en modo tapizado para limpiar superficies de tela como sofás, etc. Consulte la TABLA DE USO DE ACCESORIOS (página 12).



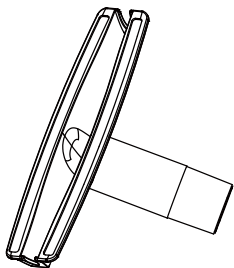
Para devolver la herramienta combinada a modo hendiduras, presione el botón de liberación y deslice el cepillo por la herramienta combinada.

### HERRAMIENTA PARA TAPIZADO

La HERRAMIENTA PARA TAPIZADO se puede fijar al extremo de la manguera flexible y de las varas de extensión. Deslice el collar de la herramienta sobre el extremo abierto de la manguera o vara.

## ACCESORIOS

Utilice la herramienta de tapicería para limpiar superficies de tela como sofás de tela y sábanas. Consulte la TABLA DE USO DE ACCESORIOS (página 13).

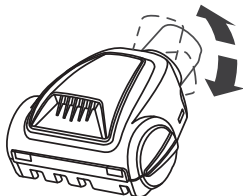


### PET HANDIMATE®

El Pet HandiMate® se puede fijar al extremo de la empuñadura o vara.

El Pet HandiMate® actúa con movimiento de pivote para ofrecer una limpieza práctica.

Use el Pet HandiMate® para limpiar superficies de tela, como muebles y alfombras. Consulte la TABLA DE USO DE ACCESORIOS (página 13).

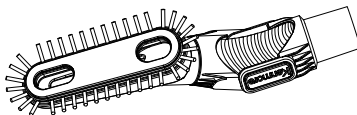


### ADVERTENCIA

**NUNCA** use el Pet HandiMate directo sobre mascotas ya que puede causar lesiones.

### VENTILADOR GIRATORIO


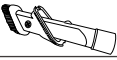




El ventilador giratorio se puede fijar a la empuñadura o vara para limpiar sobre el nivel de la cabeza en muebles tales como gabinetes y estantes. Consulte la TABLA DE USO DE ACCESORIOS (página 13).



### PRECAUCIÓN:

use los accesorios cuando la aspiradora esté derecha.

## TABLA DE USO DE ACCESORIOS

| ÁREA DE LIMPIEZA ✓ = Aplicable  |         |                   |           |           |      |       |  |
|---|---------|-------------------|-----------|-----------|------|-------|--|
| ACCESORIO   | Mueble* | Entre<br>cojines* | Cortinas* | Escaleras |      | Pisos |  |
|   |         |                   |           | Alfombra  | Liso |       |  |
| HERRAMIENTA PARA HENDIDURAS  | ✓       | ✓                 |           | ✓         | ✓    | ✓     |  |
| CEPILLO PARA POLVO           | ✓       |                   | ✓         | ✓         | ✓    | ✓     |  |
| CEPILLO PARA TAPIZADO        | ✓       |                   | ✓         |           |      |       |  |
| HERRAMIENTA PARA TAPIZADO    | ✓       |                   | ✓         |           |      |       |  |
| PET HANDIMATE®               | ✓       |                   |           | ✓         |      |       |  |
| VENTILADOR GIRATORIO         | ✓       |                   |           |           |      |       |  |

\*Limpie siempre los accesorios antes de usarlos en telas.

## DESEMPEÑO/CARACTERÍSTICAS DE SEGURIDAD

### PROTECTOR TÉRMICO

Esta aspiradora tiene un protector térmico que se activa automáticamente para proteger al motor de succión de la aspiradora. Si un tapón evita el flujo normal de aire hacia el motor, el protector térmico apaga el motor automáticamente. Esto deja enfriar el motor a fin de evitar posibles daños a la aspiradora.

Para restablecer el protector térmico: Apague la aspiradora y desconecte el cable de alimentación desde la toma de corriente para dejar enfriar la aspiradora y que el protector térmico se restablezca.



### PRECAUCIÓN

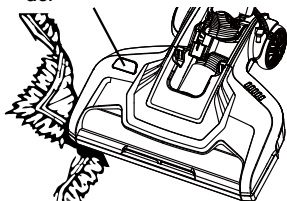
Vuelva a colocar siempre la aspiradora en posición recta antes de usar la manguera y los accesorios. No hacerlo puede provocar sobrecalentamiento del motor agitador y la activación del protector térmico.

Revise y saque los tapones, vacíe el contenedor de polvo si fuese necesario. Además, compruebe y reemplace los filtros tapados. Espere aproximadamente 50 minutos antes de reencender la aspiradora.

### RESTABLECIMIENTO DEL AGITADOR

El agitador tiene protección integrada ante daños al motor en caso de un atascamiento del agitador. Si el agitador se ralentiza o se detiene, el protector de sobrecarga del agitador apaga el motor y la luz de estado del agitador se vuelve roja. El motor de succión de la aspiradora sigue funcionando.

Indicador de estado del



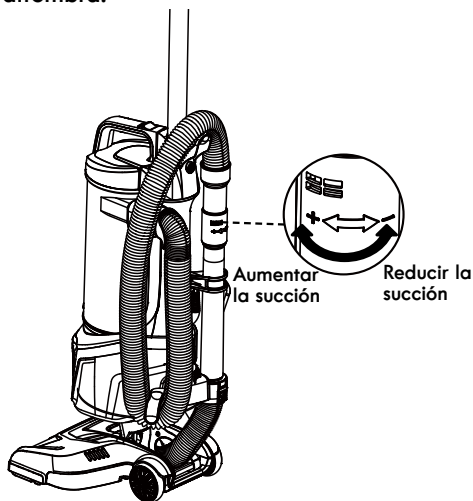
Para corregir el problema: apague y desconecte la aspiradora, quite la obstrucción y encienda la aspiradora.

**NOTA:** cuando el agitador se apague, quite el atasco antes de volver a encenderlo.

Si el problema continúa, contacte a la línea de ayuda para obtener asistencia.

### CONTROL DE SUCCIÓN

El control de succión le permite cambiar la succión de la aspiradora en función de los distintos tipos de tela y peso de la alfombra.



Aumentar la succión

Reducir la succión

- Gire hacia “+” para aumentar la succión sobre pisos lisos.
- Gire hacia “-” para reducir la succión y aumentar la maniobrabilidad sobre alfombras.

## MANTENIMIENTO Y CUIDADO DE LA ASPIRADORA

Siga siempre todas las precauciones de seguridad al realizar mantenimiento a la aspiradora.



### ADVERTENCIA

riesgo de descarga eléctrica y lesiones personales

Desconecte la aspiradora de la toma de corriente antes de repararla o limpiarla. No hacer esto podría provocar descargas eléctricas o lesiones personales provocadas por un encendido súbito de la aspiradora.

## LIMPIEZA DEL EXTERIOR Y DE LOS ACCESORIOS

1. Apague y desconecte la aspiradora. NO deje caer agua sobre la aspiradora.
2. Para limpiar el exterior o para reducir la electricidad estática y la acumulación de polvo, limpie la superficie exterior con un paño limpio y suave que se haya empapado con una solución de detergente líquido suave y agua para luego haberse estrujado. Seque después de limpiar.

**NOTA:** lave los accesorios en agua tibia jabonosa, enjuague y seque al aire. No limpiar en lavavajillas.



### PRECAUCIÓN

No use accesorios si están mojados. Los accesorios usados en zonas sucias, tales como bajo un refrigerador, no deben usarse en otras superficies sino hasta haberlas lavado. Podrían dejar marcas.

## ALMACENAMIENTO DE LA ASPIRADORA



### ADVERTENCIA

riesgo de descarga eléctrica y lesiones personales

Enrollar el cable demasiado firme aplica tensión sobre el mismo y puede provocar daños. Un cable dañado representa un peligro de descarga eléctrica y podría causar lesiones a las personas o daños.

1. Vuelva a colocar los accesorios y mangueras flexibles en posición de almacenamiento si es necesario (consulte la página 6 & 7).
2. Reúna el cable y enróllelo con holgura alrededor de los ganchos superior e inferior. Bloquee el retén de la clavija en el cable de alimentación.
3. Guarde la aspiradora en un área seca en interior, en el piso con el empuñadura trabada en posición vertical.

## VACIADO DEL CONTENEDOR DE POLVO

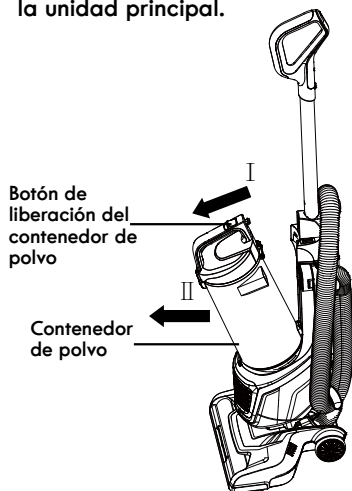


### ADVERTENCIA

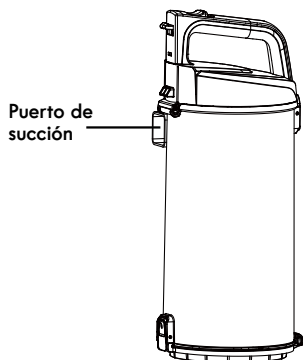
Desconecte siempre el cable de alimentación de la toma de corriente antes de realizar cualquier reparación o limpieza en la aspiradora.

**NOTA:** para obtener el máximo rendimiento, vacíe el contenedor de polvo después de cada uso. Jamás use la aspiradora sin el contenedor de polvo y filtros instalados.

1. Deslice el botón de liberación del contenedor de polvo para sacarlo desde la unidad principal.



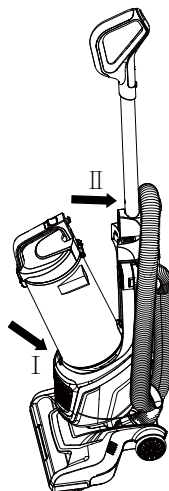
2. Saque cualquier tapón que pueda haber en el puerto de succión.



3. Coloque el contenedor de polvo sobre un receptáculo de desechos. Presione el botón de liberación de polvo para abrir la tapa del contenedor de polvo y dejar caer su contenido sobre un receptáculo de desechos.



4. Agite el contenedor de polvo para soltar cualquier sedimento que pueda estar colgando en el prefiltro.
5. Reinstale y reinserte el contenedor de polvo en las ranuras de la parte inferior de la unidad principal; luego, presione el contenedor de polvo hacia la ranura bloqueada hasta que haga clic.





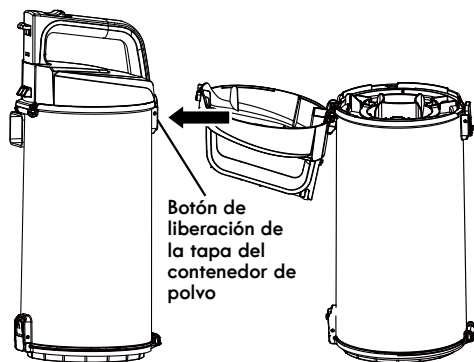
## LIMPIEZA DEL PREFILTRO

El prefiltro se encuentra al interior del contenedor de polvo. Limpie el prefiltro según sea necesario para optimizar la potencia de succión. Se debe lavar el prefiltro para limpiar acumulaciones en caso de si la fuerza de succión es débil. Se recomienda limpiar el prefiltro cada tres meses. Consulte la instrucciones de lavado en la NOTA del paso 4.

1. Saque el contenedor de polvo como se indica en la sección VACIADO DEL CONTENEDOR DE POLVO (página 15)

**NOTA:** asegúrese de que el contenedor de polvo esté libre de sedimentos antes de abrirlo.

2. Presione el botón de liberación de la tapa del contenedor de polvo y ábrala.

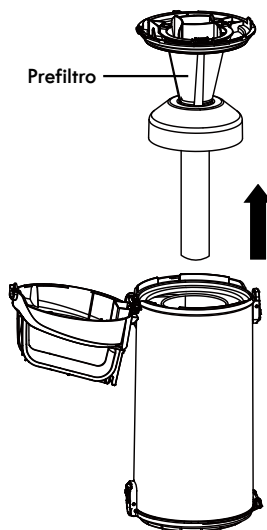
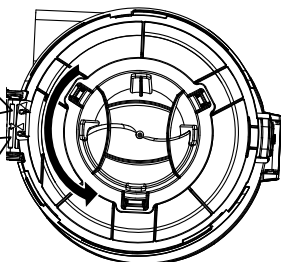


3. Para sacarlo, sostenga el prefiltro y gírelo hacia la izquierda como se indica.

BLOQUEADO  
(para usar)



DESbloQUEADO  
(para limpiar)



4. Limpie el prefiltro golpeándolo suavemente sobre un basurero. Para garantizar la mejor limpieza posible, golpéelo desde varios ángulos.

**NOTA:** De ser necesario, enjuague usando solo agua fría, NO use detergentes o jabón. Deje secar las piezas durante 24 horas antes de volver a colocarlas en la aspiradora.

NO lavar en lavavajillas.

NO instalar mojado.

5. Coloque el prefiltro de vuelta en el contenedor de polvo. Sostenga el prefiltro y gírelo hacia la derecha para fijarlo en posición.
6. Reinstale el contenedor de polvo en la unidad principal. Consulte las instrucciones de instalación de la sección VACIADO DEL CONTENEDOR DE POLVO (página 15).

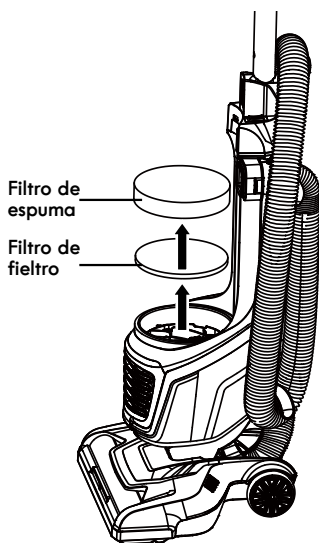
## LIMPIEZA DE FILTROS DE FIELTRO Y ESPUMA

Se recomienda limpiar los filtros de fieltro y espuma con agua fría cada tres meses.

**NOTA:** Cuando limpiar los filtros ya no restaure la potencia de succión de la aspiradora, o cuando los filtros se hayan gastado o dañado, cámbielos. Para comprar filtros, llame al 1-877-531-7321 (US) / 1-844-608-3081 (CA).

Limpie y reemplace regularmente los filtros para mantener la potencia de succión de las aspiradora a un nivel óptimo.

1. Saque el contenedor de polvo como se indica en la sección VACIADO DEL CONTENEDOR DE POLVO (página 15).
2. Saque los filtros de fieltro y espuma.



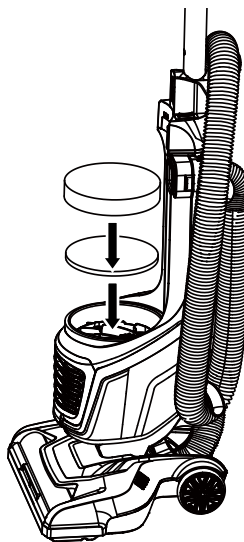
3. Lave usando solo agua fría, NO use detergentes o jabón. Estruje a mano y deje secar al aire. Deje secar todos los filtros durante 24 horas antes de volver a colocarlos en la aspiradora.

**NOTA:** NO usar sin los filtros de espuma y fieltro instalados.

NO lavar en lavavajillas.

NO instale los filtros de espuma y de fieltro si están mojados.

4. Reinstale los filtros de espuma y fieltro en la aspiradora.



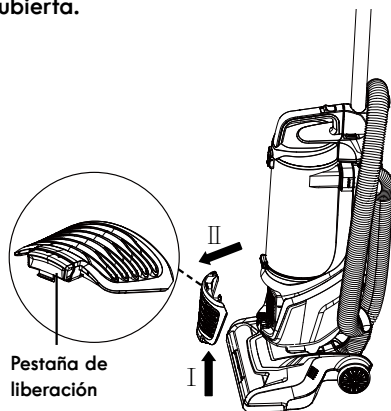
5. Reinstale el contenedor de polvo. Consulte VACIADO DEL CONTENEDOR DE POLVO (página 16).

## LIMPIEZA DEL FILTRO DE ESCAPE DE MEDIOS HEPA

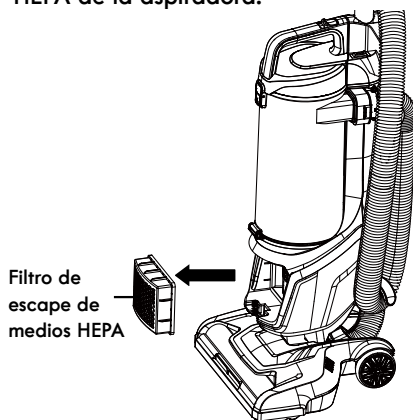
Se recomienda limpiar el filtro de escape de medios HEPA con agua fría todos los años.

**NOTA:** cuando limpiar el filtro ya no restaure la potencia de succión de la aspiradora, o cuando el filtro se haya gastado o dañado, cámbielo. Para comprar el filtro de escape, llame al 1-877-531-7321 (US) / 1-844-608-3081 (CA).

1. Saque la cubierta del filtro de escape manteniendo presionada la pestaña de liberación de la parte inferior de la cubierta.



2. Saque el filtro de escape de medios HEPA de la aspiradora.



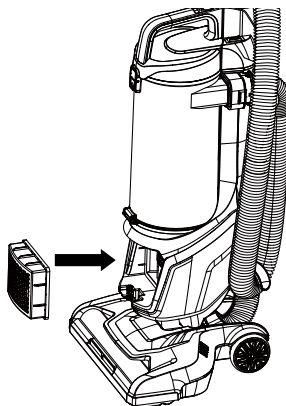
3. Lave usando solo agua fría, NO use detergentes o jabón. Deje secar al aire. Deje secar las piezas durante 24 horas antes de volver a colocarlas en la aspiradora.

**NOTA:** NO usar sin el filtro de escape instalado.

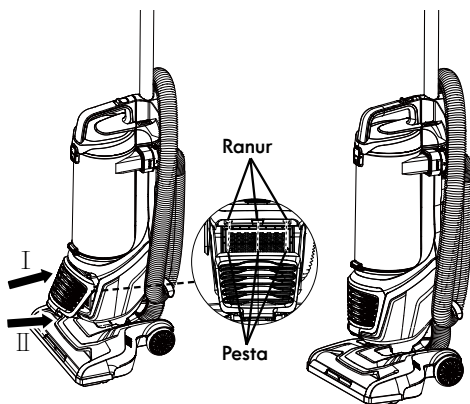
NO lavar en lavavajillas.

NO instale el filtro si está mojado.

4. Reinstale el filtro de escape de medios HEPA en la aspiradora.



5. Inserte las pestañas de la cubierta del filtro de escape en las pestañas superiores y fije la cubierta en posición presionando la parte inferior de ella hasta escuchar un clic.



## CAMBIO DE LA CORREA



### ADVERTENCIA

Desconecte siempre el cable de alimentación de la toma de corriente antes de realizar mantenimiento a la aspiradora.

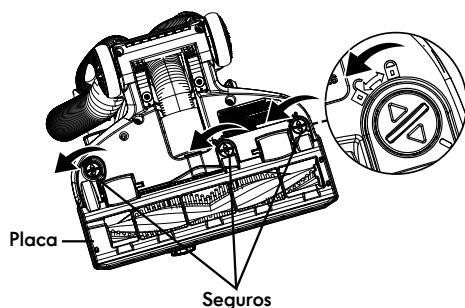
Cambie la correa cuando sienta un olor a goma quemada provocado por un resbalamiento excesivo.

1. Coloque la aspiradora boca abajo sobre el piso, con la boquilla motorizada recostada.
2. Use una moneda para soltar la placa inferior girando los tres seguros inferiores hacia la izquierda, hacia la posición de desbloqueo. Levante la placa inferior.

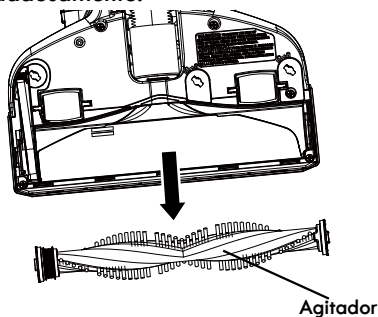


### PRECAUCIÓN

el eje del motor podría estar caliente.

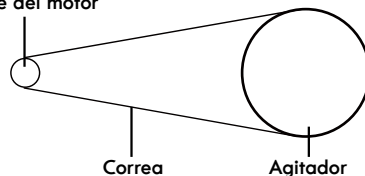


3. Saque el agitador levantándolo cuidadosamente.

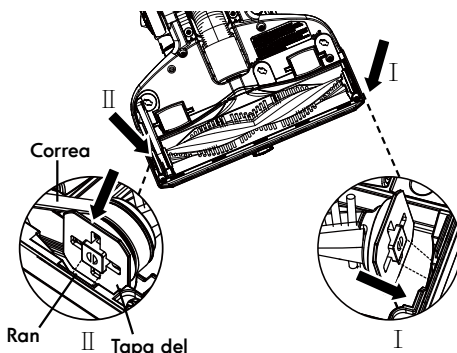


4. Quite la correa gastada o rota.
5. Use unas tijeras para sacar cualquier cabello enredado en el agitador. Limpie los sedimentos de la boquilla motorizada.
6. Enrolle la correa nueva en el eje del motor y agitador.

Eje del motor

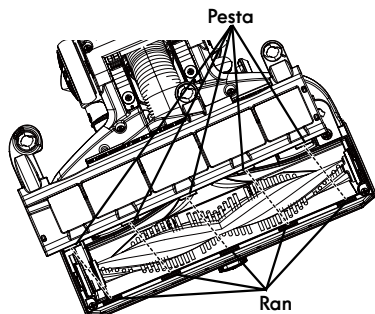


7. Reinstale el agitador en la boquilla colocando las tapas del extremo en las ranuras. Primero, alinee la tapa del extremo del costado del agitador que no tiene la correa con la ranura e inserte en posición. Luego, presione la tapa del extremo que tiene la correa con firmeza hacia la ranura hasta escuchar un clic. Revise el agitador para asegurarse de que gira sin problemas.

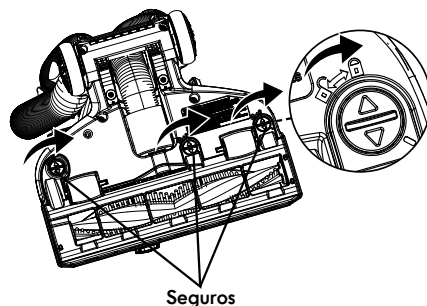


## CAMBIO DE LA CORREA

8. Reinstale la placa inferior alineando las pestañas del borde frontal de la placa inferior con las ranuras de la boquilla, insertando las pestañas en posición, y luego girando la placa inferior hacia la posición de instalación.



9. Presione la placa inferior hacia la boquilla hasta escuchar un clic y asegúrela girando los seguros hacia la derecha hacia la posición de bloqueo.



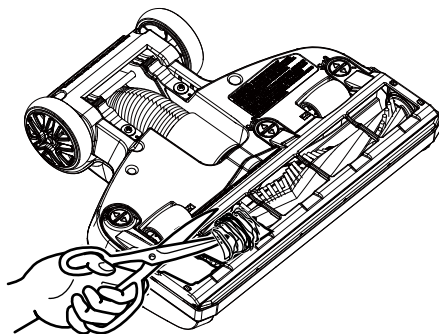
## LIMPIEZA DEL AGITADOR



### ADVERTENCIA

Desenchufe siempre el cable de alimentación de la toma de corriente antes de realizar tareas de mantenimiento en la aspiradora.

Para mantener una limpieza eficiente, el agitador debe estar libre de fibra de alfombras, hebras o acumulaciones de cabello. Tras cada 7 a 10 usos, o cuando el acumulador esté atascado, desconecte y voltee la aspiradora para revisar que el agitador no tenga acumulaciones de fibra ni cabellos. Use unas tijeras para sacar cualquier objeto enredado en el agitador.



## LIMPIEZA CON EL PET HANDIMATE®



### ADVERTENCIA

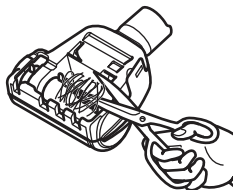
Desenchufe siempre el cable de alimentación de la toma de corriente antes de realizar tareas de mantenimiento en la aspiradora.



### PRECAUCIÓN

Para reducir el riesgo de lesiones provocadas por piezas móviles, saque el Pet HandiMate® de la manguera o vara de la aspiradora antes de realizar reparaciones.

Corte cualquier resto de alfombra y pelusa enredado en el cepillo de rodillo usando un par de tijeras.



## ELIMINACIÓN DE TAPONES

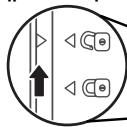
### COMPROBACIÓN DE ACUMULACIONES EN LA MANGUERA FLEXIBLE

En caso de haber un ruido anormal al usar la aspiradora, o si la potencia de succión cae súbitamente, es necesario revisar que la manguera flexible no tenga tapones.

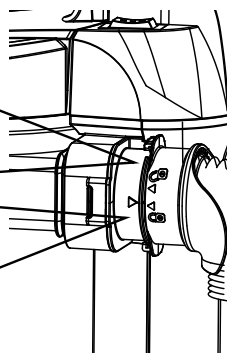
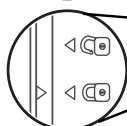
Revise frecuentemente la vía de aire para asegurarse de que no tenga obstrucciones.

1. Saque los accesorios del extremo de la manguera flexible que tiene la vara.
2. Saque el extremo de la manguera flexible de la unidad principal girando la manguera hasta que las marcas se alineen en desbloqueado (para limpiar).

DESBLOQUEADO  
(para limpiar)



BLOQUEADO  
(para usar)

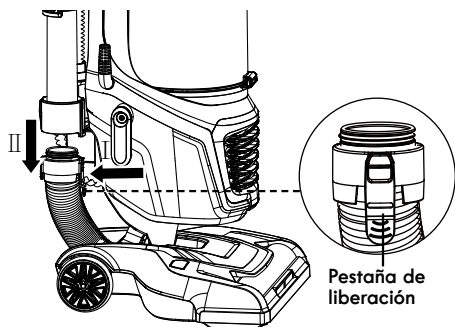


3. Retire el extremo de la manguera , Revise y saque cualquier tapón de la manguera flexible.
4. Reinstale la manguera flexible en la aspiradora. Consulte las INSTRUCCIONES DE ENSAMBLAJE (página 6 & 7).

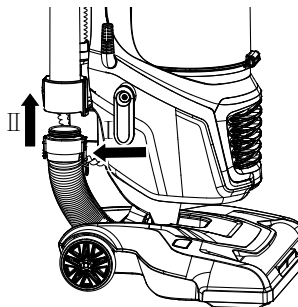
## ELIMINACIÓN DE TAPONES

### COMPROBACIÓN DE ACUMULACIONES EN LA MANGUERA DE CONEXIÓN

1. Presione la pestaña de liberación de la punta de conexión de la manguera, y saque la manguera de conexión de la unidad principal.



2. Revise y quite cualquier obstrucción de la manguera.
3. Presione la pestaña de liberación y reinserte la manguera de conexión en la aspiradora hasta escuchar un clic.



## RESOLUCIÓN DE PROBLEMAS

Revise esta tabla para encontrar soluciones que pueda aplicar usted mismo a problemas de rendimiento menores. Cualquier reparación necesario que no sean los procedimientos de mantenimiento indicados en esta guía de uso y cuidado se deben realizar mediante un agente de servicio calificado.



### ADVERTENCIA

**Desconecte el suministro eléctrico antes de realizar cualquier trabajo de mantenimiento en la aspiradora. El no seguir estas indicaciones puede provocar lesiones personales o descargas eléctricas.**

| PROBLEMA                             | CAUSA PROBABLE   | SOLUCIÓN   |
|--------------------------------------|--|--|
| La aspiradora no funciona.           | Está desenchufada del tomacorriente.   | Enchufe con firmeza, mueva el interruptor de encendido/apagado hacia la posición "I" o "II".   |
|                                      | No está presionado el interruptor de encendido/apagado para encender en la aspiradora. | Mueva el interruptor de encendido/apagado hacia la posición "I" o "II".  |
|                                      | El cuerpo de la aspiradora está sobrecalentado.  | Desenchufe el cable de alimentación y deje enfriar la aspiradora durante 50 minutos.   |
|                                      | El motor está dañado.  | Para obtener ayuda, llame al 1-877-531-7321 (US) / 1-844-608-3081 (CA).  |
|                                      | Toma de corriente defectuosa.  | Pruebe usando una lámpara o electrodoméstico que funcione correctamente. Asegúrese de que el cable de alimentación esté conectado completamente en una toma de corriente que esté funcionando. |
| Recolección de suciedad ineficiente. | Contenedor de polvo lleno o tapado.  | Vacíe el contenedor de polvo (página 16).  |
|                                      | Se deben limpiar los filtros.  | Siga las instrucciones de limpieza del filtro de la página 17 o 19.  |
|                                      | El agitador o correa están gastados o rotos.   | Cambie el agitador o correa. Para comprar piezas, llame al 1-877-531-7321 (US) / 1-844-608-3081 (CA).  |
|                                      | La manguera flexible está gastada.   | Cambie la manguera. Para comprar piezas, llame al 1-877-531-7321 (US) / 1-844-608-3081 (CA).   |
|                                      | La manguera de conexión está gastada.  | Para obtener ayuda, llame al 1-877-531-7321 (US) / 1-844-608-3081 (CA).  |
|                                      | Los filtros de espuma y fieltro están sucios o gastados.                               | Limpie los filtros de espuma y fieltro. Reemplácelos si están gastados o rotos. Siga las instrucciones de la página 18.  |



## TROUBLESHOOTING

|   |   |   |
|---|---|---|
|   | Hay un tapón en la manguera flexible o manguera de conexión de la aspiradora. | Revise y saque cualquier tapón. Siga las instrucciones de la página 23.   |
|   | El contenedor de polvo no está bien instalado.                                | Revise que el contenedor de polvo esté bien instalado y asegúrese de que se conecte firmemente.   |
|   | La manguera o accesorios no están bien instalados.                            | Revise que la manguera y accesorios estén bien instalados y asegúrese de que se conecten firmemente.  |
|   | El control de succión está en posición abierta.                               | Ajuste el control de succión para aumentar la potencia. Siga las instrucciones de la página 14.   |
| Sale polvo de la aspiradora.  | El filtro de escape de medios HEPA está dañado y se debe cambiar.             | Cambie el filtro de escape. Para comprar piezas, llame al 1-877-531-7321 (US) / 1-844-608-3081 (CA).  |
|   | El contenedor de polvo está instalado incorrectamente.                        | Coloque correctamente el contenedor de polvo y hágalo calzar con firmeza en posición.   |
|   | El filtro de escape de medios HEPA está mal instalado.                        | Revise que el filtro de escape esté bien instalado. Siga las instrucciones de la página 19.   |
| El agitador no gira.  | Agitador atascado.  | Quite la obstrucción. Siga las instrucciones de la página 20.   |
|   | El agitador no está bien instalado.   | Saque el agitador y reinstálelo siguiendo las instrucciones de la página 20.  |
|   | La correa está gastada o rota.  | Cambie la correa. Para comprar piezas, llame al 1-877-531-7321 (US) / 1-844-608-3081 (CA).  |
|   | La correa no está bien colocada.  | Revise cómo se debe colocar la correa en la página 20.  |
|   | Falla en el motor del agitador o sección PCB de la boquilla motorizada.       | Para obtener ayuda, llame al 1-877-531-7321 (US) / 1-844-608-3081 (CA).   |
| El flujo de aire se restringe al usar accesorios; el sonido cambia. | Usar accesorios restringe el flujo de aire.                                   | Revise que los accesorios no tengan pelusas, pelo de mascotas u otros sedimentos.   |
|   | Vía de movimiento de aire tapada con pelusa de alfombra nueva.                | Revise y quite cualquier obstrucción de la manguera.  |
|   | El filtro de escape de medios HEPA está mal instalado.                        | Revise que el filtro de escape y la cubierta del filtro de escape estén bien instalados. Asegúrese de que la cubierta del filtro esté colocada con firmeza. |

## TROUBLESHOOTING

|  |   |  |
|--|---|--|
| La aspiradora se apaga sola.                                 | Protector térmico activado.   | Apague la aspiradora y desconéctela. Deje enfriar la aspiradora durante un mínimo de 50 minutos. Conecte la aspiradora y enciéndala.               |
|  | La clavija del cable de alimentación se suelta de la toma de corriente al usar la aspiradora. | Reinserte la clavija del cable de alimentación en la toma de corriente. Evite tirar del cable de alimentación o arrastrarlo al usar la aspiradora. |
|  | El motor está dañado.   | Para obtener ayuda, llame al 1-877-531-7321 (US) / 1-844-608-3081 (CA).  |
| La luz indicadora de estado del agitador está de color rojo. | Hay un atascamiento en el área del agitador.  | Apague la aspiradora y desconecte el vacío, y quite cualquier bloqueo de la boquilla. Consulte la página 13.                                       |
|  | Falla en el motor del agitador o sección PCB de la boquilla motorizada.                       | Para obtener ayuda, llame al 1-877-531-7321 (US) / 1-844-608-3081 (CA).  |

## TABLE DES MATIÈRES

|  |            |
|--|------------|
| Avant Utilisation De Votre Nouvel Aspirateur ..... | 1          |
| Liste Du Contenu.....                              | 1          |
| Consignes Importantes De Sécurité.....             | 2-3        |
| Garantie De L'aspirateur Kenmore.....              | 5          |
| Instructions De Montage .....                      | 6-7        |
| Instructions D'utilisation .....                   | 8-13       |
| Caractéristiques De Performance/Sécurité .....     | 14         |
| Entretien Et Soins De L'aspirateur .....           | 15-22      |
| Dépannage.....                                     | 23-24      |
| Demande D'assistance Ou De Service.....            | Back Cover |

## AVANT UTILISATION DE VOTRE NOUVEL ASPIRATEUR

Nous vous prions de lire ce guide. Il vous aidera à assembler et à vous servir de votre nouvel aspirateur Kenmore de la manière la plus sûre et efficace.

Pour plus d'informations sur l'entretien et le fonctionnement de l'aspirateur, appelez l'aspirateur Ligne d'aide au 1-877-531-7321 (US) / 1-844-608-3081 (CA). Vous aurez besoin de vos numéros complets de modèle et de série pour demander des renseignements. Le modèle et les numéros de série de votre aspirateur sont indiqués sur l'étiquette signalétique située sur le boîtier.

Servez-vous de l'espace ci-dessous pour inscrire les numéros de modèle et de série de votre nouvel aspirateur Kenmore.

Modèle N° \_\_\_\_\_

N° de série \_\_\_\_\_

Date d'achat \_\_\_\_\_

Gardez ce livre et votre reçu dans un lieu sûr en cas de nécessité future.

## LISTE DU CONTENU

Votre ASPIRATEUR KENMORE est emballé avec les pièces et composants suivants montés séparément dans le carton:

- |                            |                                      |
|----------------------------|--------------------------------------|
| 1 Aspirateur balai         | 1 Tube de rallonge                   |
| 1 Outil à usages multiples | 1 Tuyau flexible                     |
| 1 Outil de rembourrage     | 1 Manche                             |
| 1 Pet PowerMate®           | 1 Boulon à vis                       |
| 1 Outil à brosse rotative  | 1 Guide d'utilisation et d'entretien |

# CONSIGNES DE SÉCURITÉ IMPORTANTES

Lisez l'intégralité des consignes du présent manuel avant de monter ou d'utiliser votre aspirateur.



## AVERTISSEMENT:

Votre sécurité est importante pour nous. Pour réduire tous risques d'incendie, d'électrocution, de blessures corporelles ou de dommages matériels lors de l'utilisation de votre aspirateur, suivez les précautions de sécurité de base suivantes:

- Utilisez votre aspirateur uniquement comme décrit dans le présent manuel. Utilisez votre aspirateur uniquement avec les accessoires recommandés par Kenmore.
- Coupez l'alimentation électrique avant de réparer ou de nettoyer la zone de la brosse.
- Le non-respect de cette consigne peut déclencher un démarrage inattendu de la brosse qui peut entraîner des blessures corporelles causées par des pièces mobiles.
- Ne pas laisser l'aspirateur lorsqu'il est branché.
- Débranchez celui-ci de la prise de courant lorsque vous ne l'utilisez et avant de procéder à son entretien.
- Pour réduire tous risques d'électrocution: ne pas utiliser le produit à l'extérieur ou sur des surfaces mouillées.
- Ne pas permettre que l'appareil soit utilisé comme un jouet. Soyez très attentif s'il est utilisé par des enfants ou si des enfants se trouvent à proximité.
- Ne pas utiliser avec un cordon ou une fiche endommagé(e). Si l'aspirateur ne fonctionne pas comme il se doit, s'il est tombé, endommagé, laissé à l'extérieur ou jeté dans de l'eau, cessez immédiatement l'utilisation et appelez le 1-877-531-7321 (US) / 1-844-608-3081 (CA) pour organiser le service de réparation.
- Ne tirez ou ne portez pas l'appareil en utilisant le cordon. N'utilisez pas celui-ci comme poignée ou pour fermer une porte et ne l'enroulez pas autour de bords coupants ou d'arêtes vives. Ne pas faire fonctionner l'aspirateur par dessus le cordon. Maintenez le cordon à l'écart de toutes surfaces chaudes.
- Ne débranchez pas l'appareil en tirant sur le cordon. Pour débrancher, saisissez la fiche, pas le cordon.
- Ne pas manipuler la fiche ou l'aspirateur avec les mains mouillées.
- N'introduire aucun objet dans les orifices de l'appareil.
- Ne pas utiliser l'appareil si un orifice est bouché.
- Faites en sorte que les orifices ne soient pas encombrés de poussières, peluches, cheveux ou de toute autre objet qui pourrait réduire le flux d'air.
- Maintenez vos cheveux, vêtements amples, doigts et toutes parties du corps à l'écart des orifices et des pièces mobiles.
- Coupez toutes les commandes de l'appareil avant de le débrancher.
- Redoublez de précautions lorsque vous nettoyez des escaliers.
- Ne pas poser le produit sur des chaises, des tables, etc. Maintenez-le sur le plancher.
- Ne pas utiliser l'aspirateur pour aspirer des liquides inflammables ou combustibles (essence, liquide de nettoyage, parfums, etc.) ou l'utiliser dans des endroits où ces substances peuvent être présentes. Les vapeurs de ces substances peuvent créer un risque d'incendie ou d'explosion.
- Ne pas aspirer de matières en combustion ou qui dégagent de la fumée, telles que des cigarettes, des allumettes ou des cendres chaudes.
- Ne pas utiliser d'aspirateur sans le sac à poussière et/ou des filtres en place.
- Toujours remplacer le sac à poussière après avoir aspiré les nettoyants ou désodorisants pour tapis, des poudres et de la poussière fine.

## IMPORTANT SAFETY INSTRUCTIONS

- Ces produits obstruent le sac, réduisent le flux d'air et peuvent causer l'éclatement du sac. Le non-remplacement du sac risque d'endommager définitivement l'aspirateur.
- Ne pas utiliser l'aspirateur pour récupérer des objets durs, de petits jouets, des épingles, des trombones, etc. Ceux-ci peuvent endommager l'aspirateur.
- Ne pas utiliser l'aspirateur sans le filtre d'échappement ou la trappe du filtre en place.
- Le flexible renferme des fils électriques.
- Ne pas l'utiliser lorsqu'il est endommagé, coupé ou percé. Remplacez-le s'il est coupé ou usé.
- Ne pas récupérer des objets tranchants.
- Toujours mettre hors tension et débrancher l'aspirateur avant de raccorder ou d'enlever le flexible, la tige, le PowerMate™ pour animaux de compagnie ou le PowerMate®.
- Tenez la fiche lors du rembobinage sur la bobine de cordon.
- Ne pas laisser la fiche s'agiter comme un fouet lors du rembobinage.
- Il vous incombe de vous assurer que votre aspirateur n'est utilisé par aucune personne incapable de le faire fonctionner correctement.

## CONSERVEZ CES CONSIGNES

Un bon montage et une utilisation en toute sécurité de votre aspirateur relèvent de votre responsabilité. Votre aspirateur est destiné à un usage domestique. Lisez attentivement le présent manuel d'utilisation et d'entretien pour connaître les consignes de sécurité et d'utilisation importantes qu'il contient. Le présent manuel contient des consignes de sécurité sous des symboles d'avertissement et de mise en garde.

**La certification AllergenSeal™ vous permet de savoir que cet aspirateur retient en son sein 99,97% des poussières et particules et les empêche de pénétrer dans l'air que vous respirez.**

## **GARANTIE DE L'ASPIRATEUR KENMORE**

### **GARANTIE LIMITÉE KENMORE**

À compter de la date de vente, ce produit est garanti contre tout défaut de fabrication et de matériaux lorsqu'il est assemblé, exploité et entretenu conformément à toutes les instructions fournies. PENDANT UN AN.

MUNI D'UNE PREUVE DE VENTE, renvoyez tout produit défectueux au revendeur auprès de qui il a été acheté aux fins de remplacement gratuit. Cette garantie ne couvre pas les filtres ou les courroies, qui sont des pièces consommables qui peuvent s'user hors d'une utilisation normale pendant la période de garantie.

La marque Kenmore est utilisée sous licence. Envoyez toutes les réclamations pour le service de garantie à: Cleva North America, Inc., 1-877-531-7321 (US) / 1-844-608-3081 (CA).

La présente garantie vous accorde des droits spécifiques légaux, mais vous pouvez également avoir d'autres droits qui varient selon les États.

Cleva North America, Inc., Greenville SC 29607

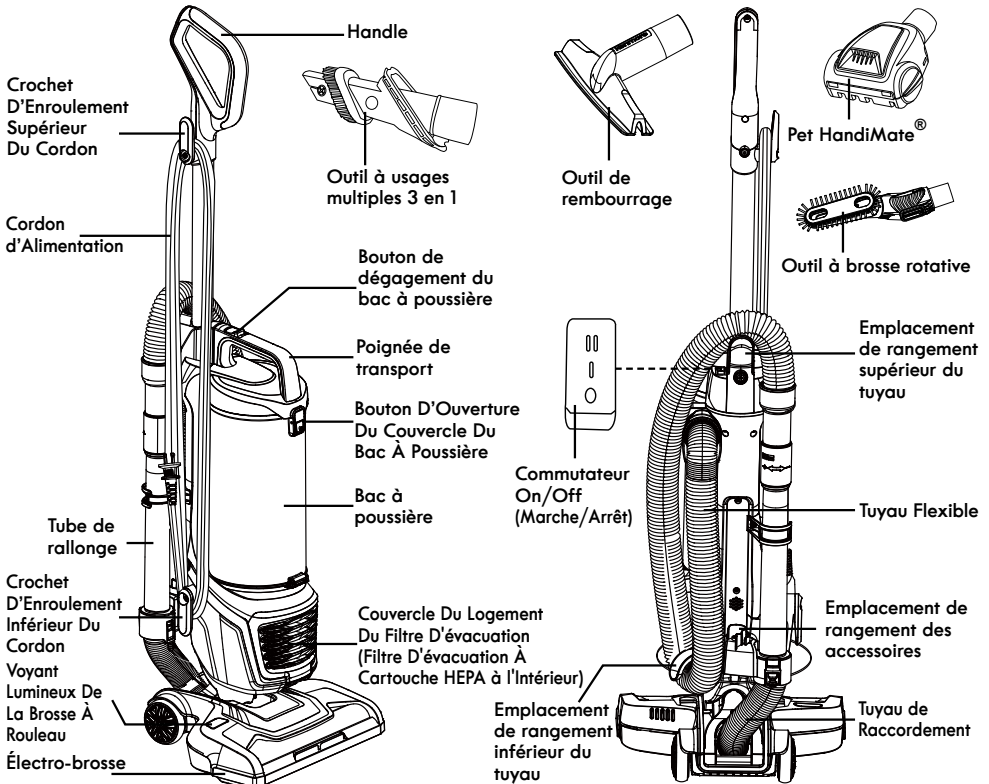
# PIÈCES ET FONCTIONNALITÉS

Il est important de connaître les pièces ainsi que les fonctionnalités de votre aspirateur afin d'en assurer une utilisation correcte et en toute sécurité. Examinez-les avant d'utiliser votre aspirateur.

## PIÈCES DE RECHANGE

| Pièce                                | N° au (US)   | N° au (CA)   |
|--------------------------------------|--------------|--------------|
| Filtre en mousse                     | 561055105    | 561055105    |
| Filtre en Feutre                     | 561055106    | 561055106    |
| Filtre d'évacuation à cartouche HEPA | 561055118    | 561055118    |
| Courroie                             | KC28SEDCZ000 | KC28SEDCZ000 |
| Outil à usages multiples 3 en 1      | 561055134    | 561055134    |
| Outil de rembourrage                 | 561055176    | 561055176    |
| Outil à brosse rotative              | 561060176    | 561060176    |
| Pet HandiMate®                       | 561014106    | 561014106    |
| Tube de rallonge                     | 561055128    | 561055128    |
| Tuyau flexible                       | 561055129    | 561055129    |
| Boulon à vis                         | 561055131    | 561055131    |

Pour les pièces de rechange, appelez le 1-877-531-7321 (US) / 1-844-608-3081 (CA).





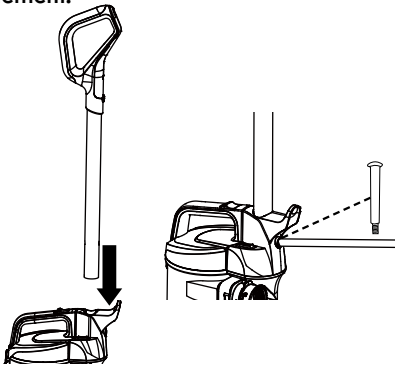
Veillez porter une attention particulière à ces boîtes d'alerte et suivre les instructions données. Les **AVERTISSEMENTS** vous alertent sur les dangers tels que les risques d'incendie, d'électrocution, de brûlures et de blessures corporelles. Les **MISES EN GARDE** vous alertent sur des risques tels que blessures corporelles et/ou dommages matériels.

## INSTRUCTIONS DE MONTAGE

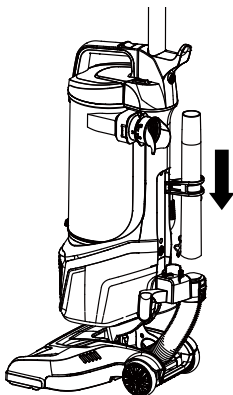
Avant de monter l'aspirateur, consultez la **LISTE DU CONTENU** (page 1). Utilisez ladite liste afin de vous assurer de la réception de tous les composants de votre nouvel Aspirateur Balai Sans Sac Kenmore.

1. Insérez le manche dans le corps principal, puis fixez-le à l'aide d'un boulon à vis fourni.

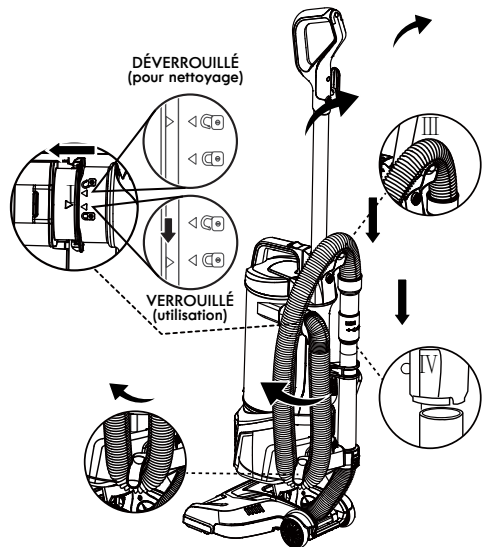
**REMARQUE:** Serrez le boulon à vis à l'aide d'un tournevis ou d'une pièce de monnaie. Assurez-vous que le boulon à vis est serré solidement.



2. Insérez l'extrémité la plus large du tube de rallonge dans la partie supérieure du tuyau de raccordement à travers le support jusqu'à ce que le tube repose complètement contre le poteau.



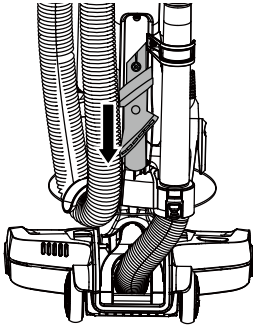
3. Insérez l'extrémité du tuyau flexible dans le corps principal en alignant les indications ainsi qu'illustré dans la section UNLOCKED (Déverrouillé) (pour nettoyage). Tournez le tuyau jusqu'à ce que les indications s'alignent ainsi qu'illustré dans la section LOCKED (Verrouillé) (utilisation). Faites ensuite passer le tuyau flexible par dessus l'emplacement de rangement inférieur et l'emplacement de rangement supérieur. Insérez l'autre extrémité sur la partie supérieure du tube de rallonge.





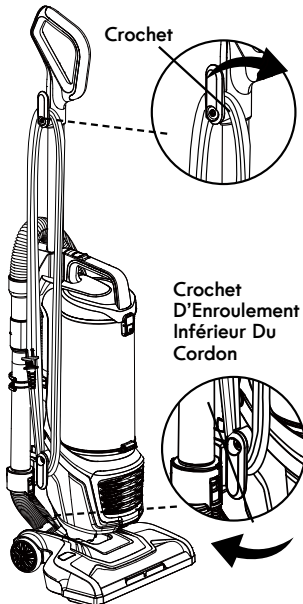
## INSTRUCTIONS DE MONTAGE

4. Insérez l'outil à usages multiples sur le poteau de l'emplacement de rangement des accessoires situé au dos du corps principal.

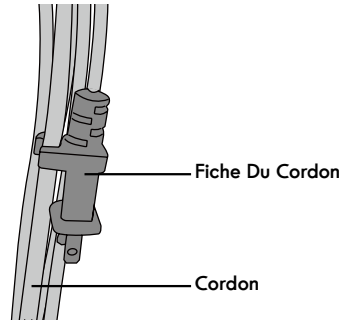


5. Assurez-vous que les crochets d'enroulement supérieur et inférieur du cordon sont correctement positionnés, ainsi qu'illustré. Enroulez le cordon d'alimentation sans le serrer autour des crochets d'enroulement supérieur et inférieur du cordon.

**REMARQUE:** Veillez à enrouler le cordon d'alimentation autour du crochet d'enroulement supérieur en premier, puis autour du crochet d'enroulement inférieur afin d'éviter d'endommager le cordon d'alimentation.



6. Verrouillez la fiche du cordon d'alimentation sur le cordon d'alimentation.



### AVERTISSEMENT

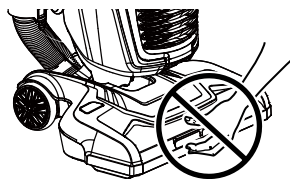
Risques D'Électrocution et De Blessures Corporelles.

L'enroulement trop serré du cordon soumis à un stress excessif risque d'endommager celui-ci. Un cordon endommagé présente des risques d'électrocution et peut entraîner des blessures corporelles ou des dommages.

## INSTRUCTIONS D'UTILISATION

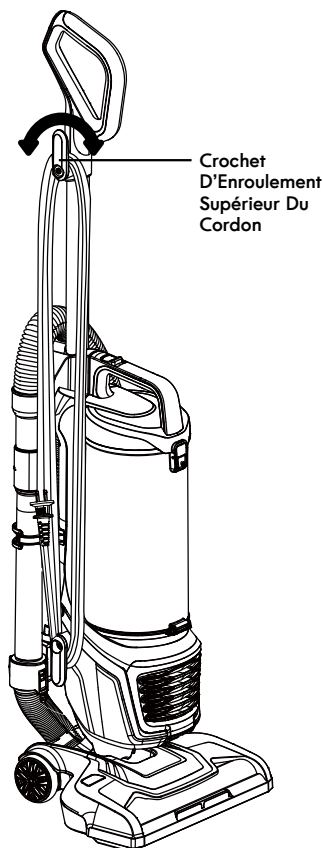
### ATTENTION

Pièces mobiles! Afin de réduire tout risque de blessures, NE PAS toucher la brosse à rouleau lorsque l'aspirateur est en marche. Tout contact avec la brosse à rouleau en rotation peut provoquer coupures, ecchymoses ou toutes autres blessures. Mettez toujours l'appareil hors tension avant de procéder à des réparations. Faites preuve de prudence lorsque vous utilisez l'aspirateur en présence d'enfants ou d'animaux familiers.



## CORDON D'ALIMENTATION : DÉGAGEMENT ET UTILISATION

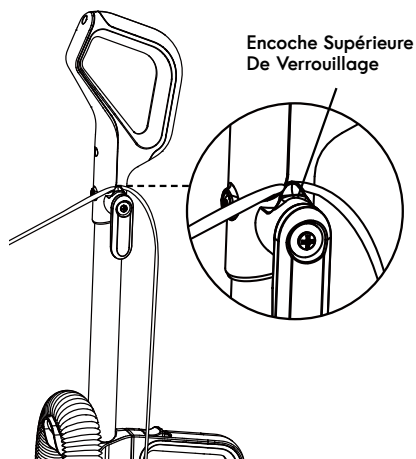
1. Tournez le crochet d'enroulement supérieur du cordon vers un côté ou l'autre pour dégager le cordon d'alimentation.



### AVERTISSEMENT

Afin de réduire tout risque d'électrocution, cet appareil comporte une prise polarisée (une lame est plus large que l'autre). Il n'y a qu'une façon d'insérer la fiche dans une prise polarisée. Si la fiche ne s'insère pas entièrement dans la prise, inversez la fiche. Si elle ne s'insère toujours pas correctement, contactez un électricien qualifié afin qu'il installe une prise adaptée. Ne modifiez en aucun cas la fiche.

2. Détachez la fiche du cordon d'alimentation du cordon d'alimentation.
3. Assurez-vous que le cordon d'alimentation est verrouillé dans l'encoche de verrouillage supérieure, ainsi qu'illustré. Cela permet de mieux gérer le cordon d'alimentation lors de l'utilisation de l'aspirateur.



## CORDON D'ALIMENTATION : DÉGAGEMENT ET UTILISATION

4. Branchez la fiche du cordon d'alimentation à une prise de courant située près du plancher.



### AVERTISSEMENT

Risques de blessures corporelles et de dommages matériels.

• En cas d'anomalie/de panne, cessez immédiatement d'utiliser le produit, puis débranchez la fiche d'alimentation.

• **NE PAS** utiliser de prises de courant situées au-dessus des comptoirs. Le cordon risque d'endommager des objets dans la zone environnante.

5. Appuyez sur le commutateur On/Off (Marche/Arrêt) pour mettre l'aspirateur en marche.
6. Une fois que vous avez terminé de passer l'aspirateur, appuyez sur le commutateur

On/Off (Marche/Arrêt); débranchez la fiche du cordon d'alimentation de la prise de courant.

7. Pour rétablir le cordon d'alimentation après utilisation, positionnez à la verticale le crochet d'enroulement supérieur du cordon. Enroulez ensuite le cordon sans le serrer autour des crochets d'enroulement du cordon.



### AVERTISSEMENT

Risques D'Électrocution et De Blessures Corporelles

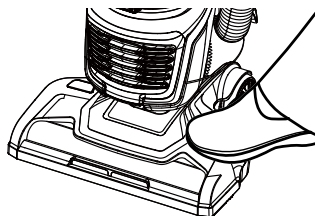
L'enroulement trop serré du cordon ajoute du stress à celui-ci et risque de l'endommager. Un cordon endommagé présente des risques d'électrocution et peut entraîner des blessures corporelles ou des dommages.

## MODES D'UTILISATION

### MODE VERTICAL

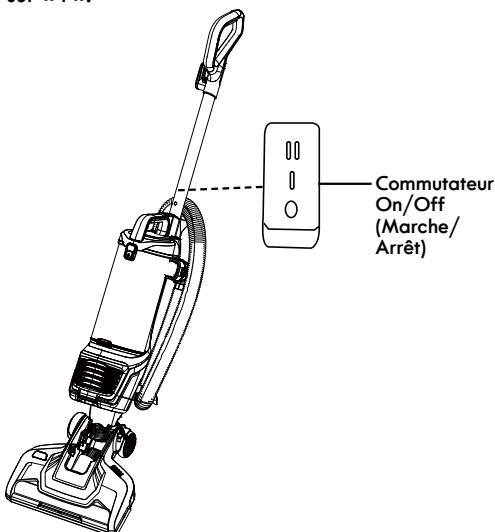
**REMARQUE:** Assurez-vous que l'aspirateur est entièrement monté et que le bac à poussière est vide avant de l'utiliser. Ne pas utiliser l'aspirateur sans filtres en place.

1. Dégagez le manche en plaçant un pied sur la buse et en le tirant vers l'arrière afin de changer la position du manche.



2. Mettez sous tension l'aspirateur en appuyant sur le commutateur On/Off (Marche/Arrêt) pour le positionner sur « I » pour nettoyer les planchers nus et les tapis de petite surface.

**REMARQUE:** La brosse à rouleau ne tourne pas lorsque le commutateur On/Off (Marche/Arrêt) de l'aspirateur est positionné sur « I ».



## MODES D'UTILISATION

3. Appuyez sur le commutateur On/Off (Marche/Arrêt) pour le positionner sur « II » pour nettoyer moquettes ou tapis.

**REMARQUE:** La brosse à rouleau tourne lorsque le commutateur On/Off (Marche/Arrêt) de l'aspirateur est positionné sur « II ».



### ATTENTION

Ne pas laisser l'aspirateur rester au même endroit pour quelque durée que ce soit lorsque la brosse à rouleau est en rotation. La moquette risque d'être endommagée.

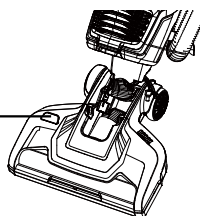
4. Une fois que vous avez terminé de passer l'aspirateur, positionnez le commutateur On/Off (Marche/Arrêt) sur « O », puis débranchez le cordon d'alimentation de la prise de courant.

**REMARQUE:** Sélectionnez le mode approprié lorsque vous utilisez cet aspirateur. Ne pas appuyer sur le commutateur On/Off (Marche/Arrêt) pour le positionner sur « II » lorsque vous nettoyez le plancher nu. Dans le cas contraire, vous risquez d'endommager le plancher.

### VOYANT LUMINEUX DE LA BROSSÉ À ROULEAU

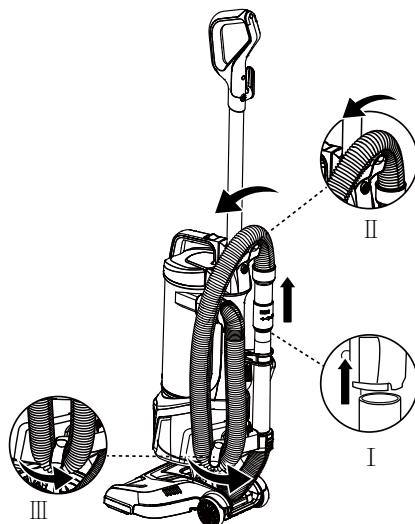
| Couleur des voyants | État   |
|---------------------|--|
| Vert, fixe          | La brosse à rouleau tourne et fonctionne comme il se doit.   |
| Rouge, fixe         | Présence de bourrage dans la zone de la brosse à rouleau. Mettez hors tension et débranchez l'aspirateur, puis éliminez les obstructions présentes dans la buse. |
| Absence d'allumage  | La brosse à rouleau est arrêtée.   |

Voyant D'État De La Brosse À Rouleau

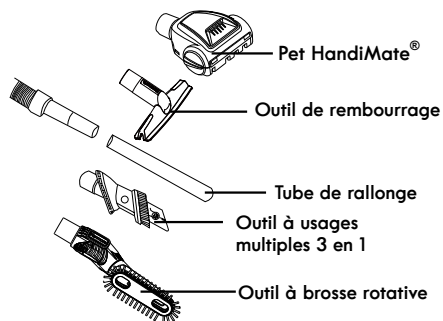


### MODE AU-DESSUS DU PLANCHER

1. Positionnez l'aspirateur verrouillé à la verticale.
2. Tirez vers le haut pour dégager le tuyau flexible pour effectuer le nettoyage au-dessus du plancher.



3. Choisissez le tube de rallonge/les accessoires souhaités, puis insérez-le ou les dans le tuyau flexible.



4. Mettez sous tension l'aspirateur en appuyant sur le commutateur On/Off (Marche/Arrêt) pour le positionner sur « I ».
5. Une fois que vous avez terminé de passer l'aspirateur, positionnez le commutateur On/Off (Marche/Arrêt) sur « O », puis débranchez le cordon d'alimentation de la prise de courant.

## MODES D'UTILISATION



### ATTENTION

Lorsque vous utilisez des accessoires, veillez à ne pas étendre à l'excès le tuyau flexible lorsque vous vous penchez pour atteindre certains endroits. Toute tentative visant à dépasser la capacité d'extension du tuyau risque d'entraîner le renversement de l'aspirateur.



### ATTENTION

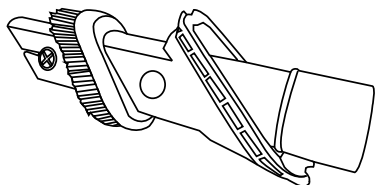
NE PAS tirer l'aspirateur par le tuyau dans la pièce. Cela risque d'entraîner des dommages matériels ou blessures corporelles.

## ACCESSOIRES

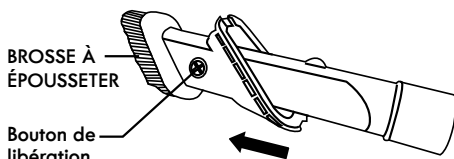
### OUTIL À USAGES MULTIPLES 3 EN 1

L'outil à usages multiples 3 en 1 peut être fixé à l'extrémité du tube et du manche. Faites coulisser le collier de l'outil par dessus l'extrémité ouverte du tube ou du manche.

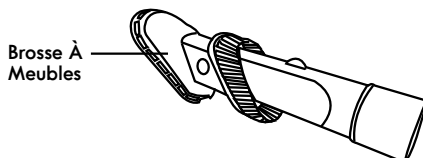
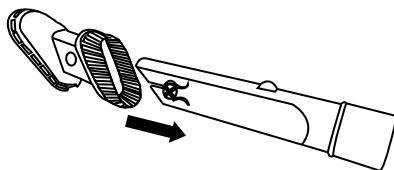
Utilisez l'outil à usages multiples 3 en 1 en mode Suceur pour effectuer le nettoyage dans les espaces restreints tels que les meubles, entre les coussins et dans les escaliers. Voir le **TABLEAU D'UTILISATION DES ACCESSOIRES** (page 12).



Mettez l'outil à usages multiples en mode Brosse à épousseter en appuyant sur le bouton de dégagement et en faisant coulisser le côté brosse à épousseter de la brosse jusqu'à l'extrémité de l'outil à usages multiples. Utilisez le mode Brosse à épousseter pour nettoyer les surfaces instables, notamment les rideaux. Voir le **TABLEAU D'UTILISATION DES ACCESSOIRES** (page 12).



Appuyez sur le bouton de dégagement pour retirer la brosse à épousseter. Réglez l'outil à usages multiples en mode Brosse à meubles, ainsi qu'illustré. Utilisez le mode Brosse à meubles pour nettoyer les surfaces en tissu, notamment les canapés en tissu. Voir le **TABLEAU D'UTILISATION DES ACCESSOIRES** (page 13).



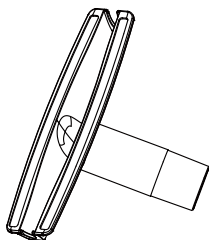
Pour remettre l'outil à usages multiples en mode Suceur, appuyez sur le bouton de dégagement, puis faites coulisser la brosse vers la partie inférieure de l'outil à usages multiples.

## ACCESSOIRES

### OUTIL DE REMBOURRAGE

La brosse à meubles peut être fixée à l'extrémité du tuyau flexible et du tube de rallonge. Faites glisser le collier de la brosse sur l'extrémité ouverte du tuyau ou du tube.

Utilisez la brosse à meubles pour nettoyer les surfaces en tissu, notamment les canapés et les draps de lit en tissu. Veuillez consulter le TABLEAU D'UTILISATION DES ACCESSOIRES (page 13).

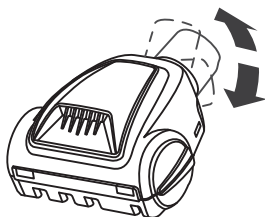


### Accessoire PET HANDIMATE

L'accessoire Pet HandiMate® peut être fixé à l'extrémité du manche ou du tube.

L'accessoire Pet HandiMate® pivote pour permettre d'effectuer un nettoyage plus pratique.

Utilisez l'accessoire Pet HandiMate® pour nettoyer les surfaces textiles, notamment meubles et moquettes. Voir le TABLEAU D'UTILISATION DES ACCESSOIRES (page 13)

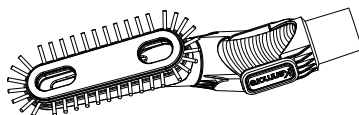


### AVERTISSEMENT

**NE JAMAIS** utiliser l'accessoire Pet HandiMate directement sur les animaux domestiques, cela pourrait causer des blessures.

### OUTIL À BROSSER ROTATIVE







L'outil à brosse rotative peut être fixé sur le manche ou sur le tube pour le nettoyage en hauteur de meubles tels que armoires et étagères. Veuillez consulter le TABLEAU D'UTILISATION DES ACCESSOIRES (page 13).



### ATTENTION

Utilisez les accessoires lorsque l'aspirateur est positionné à la verticale.

## TABLEAU D'UTILISATION DES ACCESSOIRES

| <b>ZONE DE NETTOYAGE</b> ✓ = Applicable   |          |                        |          |           |    |          |  |
|---|----------|------------------------|----------|-----------|----|----------|--|
| <b>ACCESSOIRE</b>   | Meubles* | Entre les<br>coussins* | Rideaux* | Escaliers |    | Plinthes |  |
|   |          |                        |          | Moquette  | Nu |          |  |
| SUCEUR                   | ✓        | ✓                      |          | ✓         | ✓  | ✓        |  |
| BROSSE À ÉPOUSSETER      | ✓        |                        | ✓        | ✓         | ✓  | ✓        |  |
| BROSSE À MEUBLES         | ✓        |                        | ✓        |           |    |          |  |
| OUTIL DE REMBOURRAGE     | ✓        |                        | ✓        | ✓         |    |          |  |
| PET HANDIMATE®           | ✓        |                        |          |           |    |          |  |
| OUTIL À BROSSE ROTATIVE  | ✓        |                        |          |           |    |          |  |

\*Toujours nettoyer les accessoires avant de les utiliser sur des tissus.

# CARACTÉRISTIQUES DE PERFORMANCE/SÉCURITÉ

## DISPOSITIF DE PROTECTION THERMIQUE

Cet aspirateur est doté d'un protecteur thermique qui se déclenche automatiquement pour protéger le moteur d'aspiration de l'aspirateur. En cas de congestion empêchant l'écoulement normal d'air vers le moteur, le dispositif de protection thermique éteint automatiquement le moteur. Cela permet au moteur de refroidir afin d'éviter d'endommager éventuellement l'aspirateur.

**Pour réinitialiser le protecteur thermique:** Mettez hors tension l'aspirateur, puis débranchez le cordon d'alimentation de la prise de courant pour permettre à l'aspirateur de refroidir et aux protecteurs thermiques de se réinitialiser.



## ATTENTION

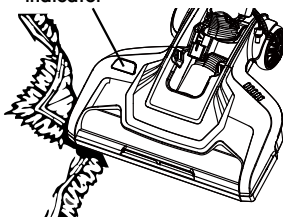
Remettez toujours l'aspirateur à la verticale avant d'utiliser le tuyau et les accessoires. Le non-respect de cette consigne peut entraîner une surchauffe du moteur de la brosse à rouleau et provoquer le déclenchement des protecteurs thermiques.

Vérifiez la présence de congestions, puis éliminez celles-ci. Ensuite, videz le bac de poussières, au besoin. Vérifiez également l'état des filtres et remplacez tout filtre obstrué. Patientez environ 50 minutes avant de redémarrer l'aspirateur.

## RÉINITIALISATION DE LA BROSSÉ À ROULEAU

La brosse à rouleau est dotée d'un dispositif de protection intégré contre tout endommagement du moteur en cas de blocage de la brosse à rouleau. En cas de ralentissement ou d'arrêt de la brosse à rouleau, le dispositif de protection contre toute surcharge de la brosse à rouleau coupe le moteur de la brosse à rouleau et le voyant d'état de la brosse à rouleau s'allume en rouge. Le moteur d'aspiration de l'aspirateur continue de tourner.

Brushroll Status Indicator



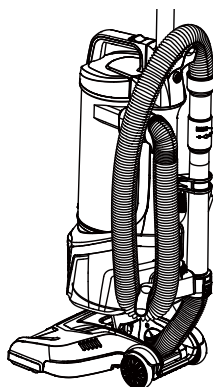
**Pour résoudre ce problème:** Mettez hors tension l'aspirateur, puis débranchez-le. Ensuite, éliminez toutes les obstructions, puis remettez en marche l'aspirateur.

**REMARQUE:** Une fois que le moteur de la brosse à rouleau s'arrête, éliminez le boudage de la brosse à rouleau avant de la réinitialiser.

Si le problème persiste, contactez le service d'assistance téléphonique en charge du suivi de l'aspirateur afin d'obtenir de l'aide.

## RÉGULATION D'ASPIRATION

La régulation d'aspiration vous permet de modifier l'aspiration de l'aspirateur en fonction du poids des divers tissus et moquettes.



Increase Suction Augmenter la puissance d'aspiration

Réduire la puissance d'aspiration

- Tournez le bouton pour le positionner sur « + » afin d'augmenter l'aspiration sur les planchers nus.
- Tournez le bouton pour le positionner sur « - » pour réduire l'aspiration et augmenter la maniabilité sur les moquettes.



## ENTRETIEN ET SOIN DE L'ASPIRATEUR

Respectez toujours toutes les mesures de sécurité lorsque vous effectuez l'entretien de l'aspirateur.



### AVERTISSEMENT

Risques D'Électrocution et De Blessures Corporelles

Coupez l'alimentation électrique avant de procéder à l'entretien, à la réparation ou au nettoyage de l'aspirateur. Le non-respect de cette consigne pourrait entraîner un risque d'électrocution ou des blessures corporelles causées par le démarrage subit de l'aspirateur.

## NETTOYAGE DE L'EXTÉRIEUR ET DES ACCESSOIRES

1. Mettez hors tension l'aspirateur, puis débranchez-le. NE PAS laisser de l'eau s'égoutter sur l'aspirateur.
2. Pour nettoyer l'extérieur ou pour réduire l'électricité statique et l'accumulation de poussière, essuyez la surface extérieure à l'aide d'un chiffon propre et doux qui a été plongé dans une solution de détergent liquide doux et d'eau, puis essoré. Bien essuyer après nettoyage.

**REMARQUE:** Lavez les accessoires

à l'eau tiède savonneuse, rincez-les, puis laissez-les sécher à l'air libre. Ne pas nettoyer au lave-vaisselle.



### ATTENTION

Ne pas utiliser les accessoires s'ils sont mouillés. Les accessoires utilisés dans des endroits sales, comme sous un réfrigérateur, ne doivent pas être utilisés sur d'autres surfaces jusqu'à ce qu'ils soient lavés. Ceux-ci risquent de laisser des marques.

## RANGEMENT DE L'ASPIRATEUR



### AVERTISSEMENT

Risques D'Électrocution et De Blessures Corporelles.

L'enroulement trop serré du cordon ajoute du stress à celui-ci et risque de l'endommager. Un cordon endommagé présente des risques d'électrocution et peut entraîner des blessures corporelles ou des dommages.

1. Placez le tuyau flexible et les accessoires en position de rangement, au besoin (voir la page 7 & 8).
2. Rassemblez le cordon, puis enroulez-le sans le serrer autour des crochets d'enroulement supérieur et inférieur du cordon. Verrouillez le dispositif de retenue de la fiche sur le cordon d'alimentation.
3. Rangez l'aspirateur dans un endroit sec, à l'intérieur, sur le plancher, avec le manche verrouillé à la verticale.

## VIDANGE DU BAC À POUSSIÈRE

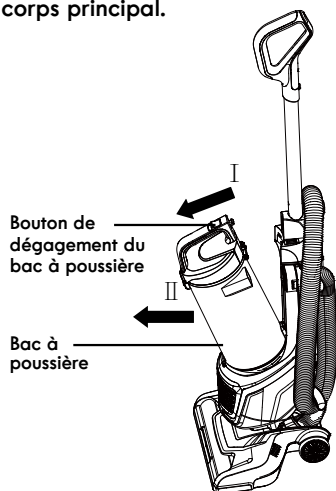


### AVERTISSEMENT

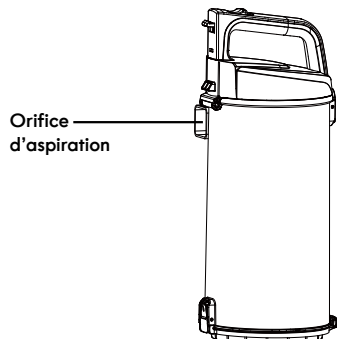
Débranchez toujours le cordon d'alimentation de la prise électrique avant d'effectuer tous travaux d'entretien ou de réparation sur l'aspirateur.

**REMARQUE:** Pour obtenir des performances optimales, videz le bac à poussière après chaque utilisation. Ne jamais utiliser l'aspirateur sans que le bac à poussière et les filtres soient en place.

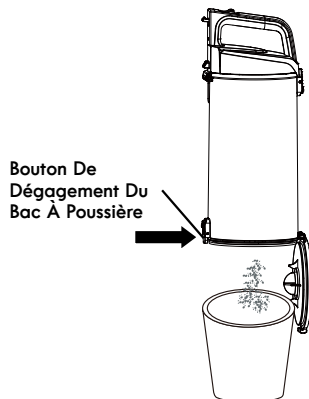
1. Faites glisser le bouton de déverrouillage du bac à poussière afin de le retirer du corps principal.



2. Éliminez toutes les obstructions qui pourraient se trouver dans l'orifice d'aspiration.

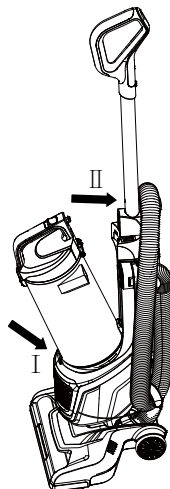


3. Placez la zone du bac à poussière de l'aspirateur au-dessus d'une poubelle. Appuyez sur le bouton de déverrouillage du bac à poussière pour ouvrir le couvercle du bac à poussière, puis renversez le contenu du bac dans la poubelle.



4. Secouez le bac de poussière pour dégager tous les débris susceptibles de s'accrocher au pré-filtre.

5. Réinstallez et insérez le bac à poussière dans les fentes situées dans la partie inférieure du corps principal, puis appuyez sur le bac à poussière pour le loger dans la fente verrouillée et pour l'enclencher en place.



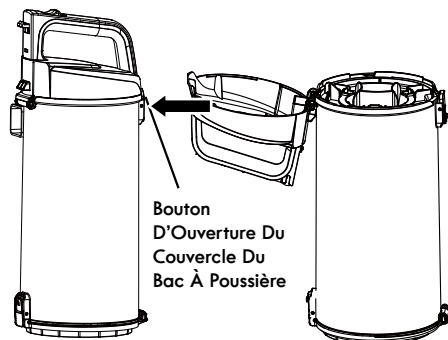
## NETTOYAGE DU PRÉ-FILTRE

Le pré-filtre se trouve à l'intérieur du bac à poussière. Nettoyez le pré-filtre au besoin afin d'optimiser la puissance d'aspiration. Si l'aspiration reste faible après avoir tapoté sur le pré-filtre, il sera nécessaire de le laver pour éliminer toute accumulation de poussières ou de cheveux ou poils. Nous vous recommandons également de laver le pré-filtre tous les trois mois. Voir les instructions de lavage dans la REMARQUE de l'étape 4.

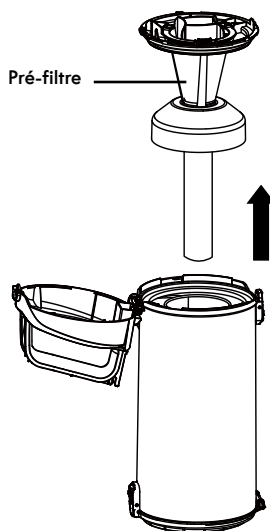
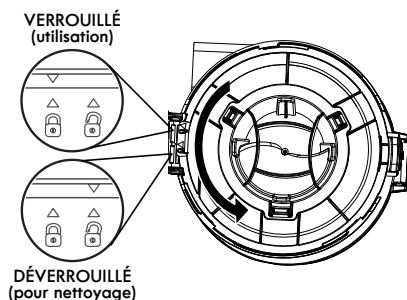
1. Retirez le bac à poussière ainsi qu'indiqué dans la section VIDANGE DU BAC À POUSSIÈRE (page 16).

**REMARQUE:** Assurez-vous que le bac à poussière est exempt de débris avant de l'ouvrir.

2. Appuyez sur le bouton de déverrouillage du couvercle du bac à poussière, puis ouvrez le couvercle.



3. Saisissez le pré-filtre, puis faites-le tourner dans le sens inverse des aiguilles d'une montre ainsi qu'illustré pour le retirer.



4. Nettoyez le pré-filtre en le tapotant délicatement au-dessus d'une poubelle. Tapotez sur plusieurs côtés afin de garantir un nettoyage optimal.

**REMARQUE:** Au besoin, rincez-le à l'eau froide uniquement. NE PAS utiliser de détergents ou du savon. Laissez les pièces sécher 24 heures avant de les remettre dans l'aspirateur.

NE PAS laver le filtre au lave-vaisselle.

NE PAS l'installer humide.

5. Remettez le pré-filtre dans le bac à poussière. Saisissez le pré-filtre et faites-le tourner dans le sens des aiguilles d'une montre pour le verrouiller en place.
6. Réinstallez le bac à poussière dans le corps principal. Voir les instructions d'installation données dans la section VIDANGE DU BAC À POUSSIÈRE (page 16).

## NETTOYAGE DES FILTRES EN MOUSSE ET EN FEUTRE

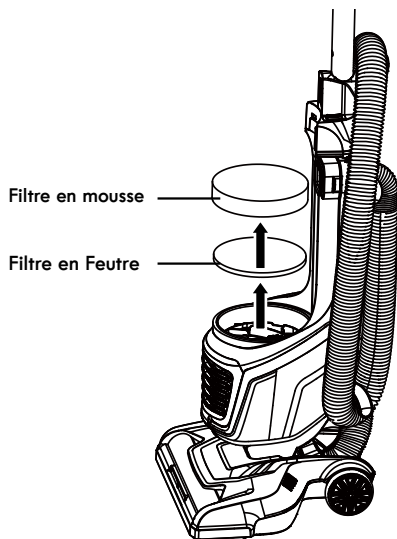
Nous vous recommandons de nettoyer à l'eau froide tous les trois mois les filtres en mousse et en feutre.

**REMARQUE:** Lorsque le nettoyage des filtres ne rétablit plus la pleine puissance d'aspiration de l'aspirateur, ou lorsque les filtres sont usés ou brisés, remplacez ceux-ci. Pour acheter des filtres, veuillez composer le numéro : 1-877-531-7321 (US) / 1-844-608-3081 (CA).

Nettoyez et remplacez régulièrement les filtres afin de maintenir la puissance d'aspiration de l'aspirateur à un niveau optimal.

1. Retirez le bac à poussière ainsi qu'indiqué dans la section VIDANGE DU BAC À POUSSIÈRE (page 16).

2. Retirez les filtres en mousse et en feutre



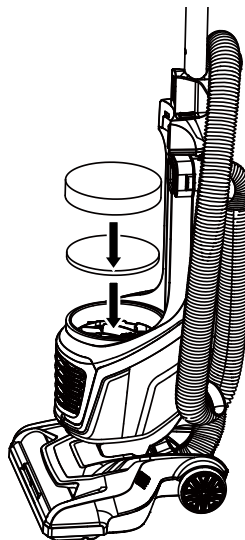
3. Lavez-le à l'eau froide uniquement. NE PAS utiliser de détergents ou du savon. Pressez-le à la main, puis laissez-le sécher à l'air libre. Laissez les filtres sécher 24 heures avant de les remettre dans l'aspirateur.

**REMARQUE:** NE PAS utiliser l'aspirateur sans filtres en mousse et en feutre installés.

NE PAS laver le filtre au lave-vaisselle.

NE PAS installer de filtres en mousse et en feutre s'ils sont humides.

4. Remplacez les filtres en mousse et en feutre dans l'aspirateur.



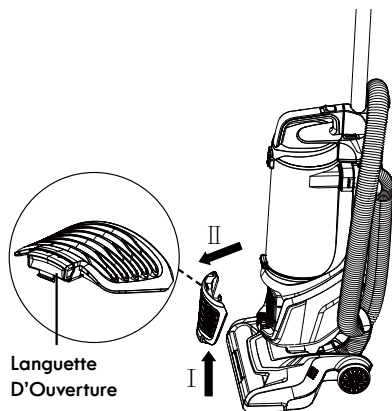
5. Réinstallez le bac à poussière. VIDANGE DU BAC À POUSSIÈRE (page 16).

## NETTOYAGE DU FILTRE D'ÉVACUATION À CARTOUCHE HEPA

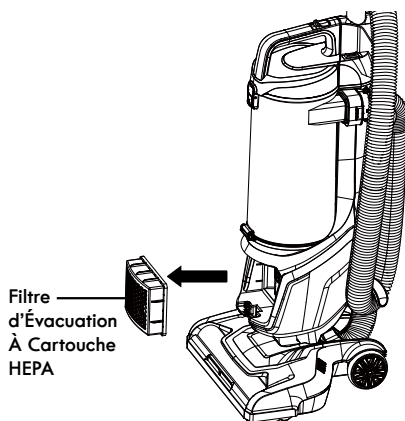
Nous vous recommandons de nettoyer à l'eau froide chaque année le filtre d'évacuation à cartouche HEPA.

**REMARQUE:** Lorsque le nettoyage du filtre ne rétablit plus la pleine puissance d'aspiration de l'aspirateur, ou lorsque le filtre est usé ou brisé, remplacez le filtre d'évacuation. Pour acheter le filtre d'évacuation, veuillez composer le numéro: 1-877-531-7321 (US) / 1-844-608-3081 (CA).

1. Retirez le couvercle du logement du filtre d'évacuation en appuyant sur la languette d'ouverture située au fond du couvercle.



2. Retirez le filtre d'évacuation à cartouche HEPA de l'aspirateur.



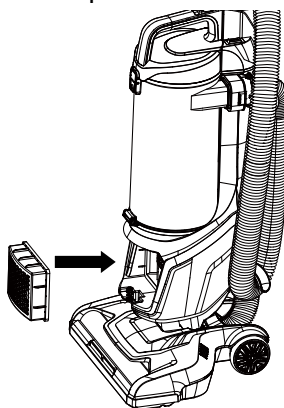
3. Lavez-le à l'eau froide uniquement. NE PAS utiliser de détergents ou du savon. Laissez-le sécher à l'air libre. Laissez les pièces sécher 24 heures avant de les remettre dans l'aspirateur.

**REMARQUE:** NE PAS utiliser sans le filtre d'évacuation installé.

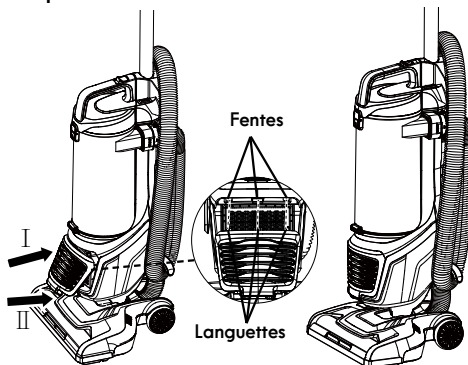
NE PAS laver le filtre au lave-vaisselle.

NE PAS installer le filtre s'il est humide.

4. Réinstallez le filtre d'évacuation à cartouche HEPA dans l'aspirateur.



5. Insérez les languettes du couvercle du logement du filtre d'évacuation dans les fentes supérieures, puis verrouillez en place le couvercle en appuyant sur la partie inférieure du couvercle jusqu'à ce qu'un déclic se fasse entendre.



# REPLACEMENT DE LA COURROIE



## AVERTISSEMENT

Débranchez toujours le cordon d'alimentation de la prise électrique avant d'effectuer tous travaux d'entretien sur l'aspirateur.

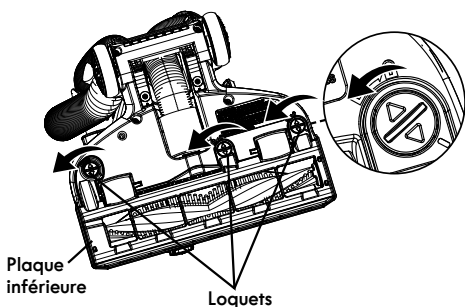
Remplacez la courroie chaque fois qu'une odeur de caoutchouc brûlé causée par un glissement excessif se fait sentir.

1. Posez l'aspirateur sur le plancher, la partie inférieure orientée vers le haut et l'électro-brosse à plat.
2. Utilisez une pièce de monnaie pour dégager la plaque inférieure en faisant tourner les trois loquets de la plaque inférieure dans le sens inverse des aiguilles d'une montre jusqu'à les positionner sur UNLOCK (Déverrouillage). Soulevez la plaque inférieure.

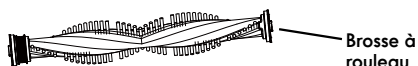
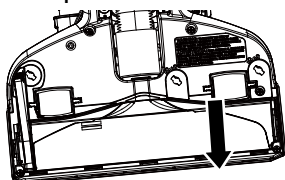


## ATTENTION

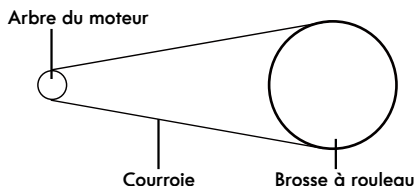
L'arbre du moteur peut être chaud.



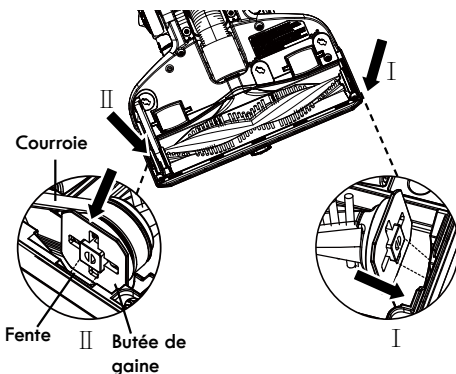
3. Retirez la brosse à rouleau en la soulevant avec précaution.



4. Retirez la courroie usée ou cassée.
5. Utilisez des ciseaux pour éliminer tous les poils ou cheveux emmêlés autour de la brosse à rouleau. Nettoyez les éventuels débris de l'électro-brosse.
6. Enroulez la courroie neuve autour de l'arbre du moteur et de la brosse à rouleau.

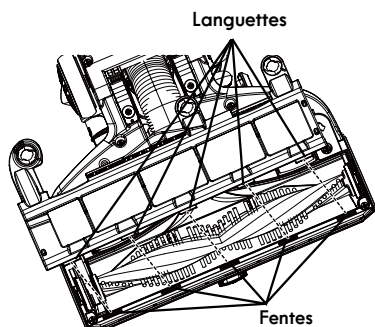


7. Réinstallez la brosse à rouleau dans la buse en plaçant les embouts dans les fentes. Alignez en premier lieu l'embout sur la fente située du côté de la brosse à rouleau où ne se trouve pas la courroie, puis insérez-le en place. Ensuite, appuyez fermement sur l'embout pour l'insérer dans la fente située du côté de la brosse à rouleau où se trouve la courroie jusqu'à ce qu'un déclic se fasse entendre. Assurez-vous que la brosse à rouleau tourne librement.

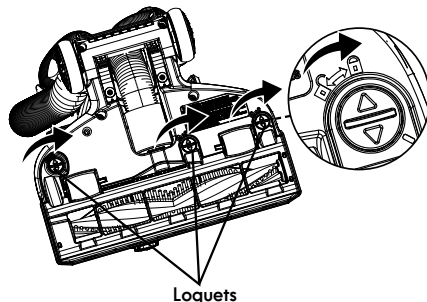


8. Réinstallez la plaque inférieure en alignant sur les fentes de la buse les languettes situées sur le bord avant de la plaque inférieure, en insérant les languettes en place, puis en tournant la plaque inférieure en position installée.

## REPLACEMENT DE LA COURROIE



9. Appuyez sur la plaque inférieure sur la buse jusqu'à ce qu'un déclic se fasse entendre, puis fixez-la en tournant les loquets de la plaque inférieure dans le sens des aiguilles d'une montre jusqu'à les positionner sur LOCK (Verrouillage).



## NETTOYAGE DE LA BROSSE À ROULEAU

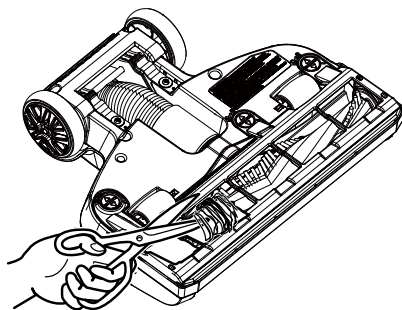


### AVERTISSEMENT

Débranchez toujours le cordon d'alimentation de la prise électrique avant d'effectuer tous travaux d'entretien sur l'aspirateur.

Pour que le nettoyage soit efficace, la brosse à rouleau doit être exempte d'accumulation de fibres de moquettes, de ficelles ou de poils ou cheveux. Au bout de 7 à 10 utilisations ou en cas de blocage de la brosse à rouleau, débranchez et retournez l'aspirateur, puis vérifiez la présence d'accumulation de fibres et de poils ou cheveux sur la brosse à rouleau.

Utilisez des ciseaux pour éliminer toute accumulation de fibres, de poils ou cheveux empêtrés autour de la brosse.



## PET HANDIMATE® CLEANING

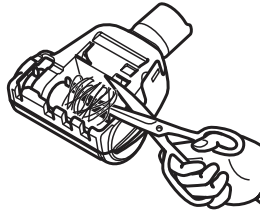


### ATTENTION

Pour réduire tout risque de blessures dues à des pièces mobiles, retirez l'accessoire Pet HandiMate® du tuyau ou du tube de l'aspirateur avant de procéder à tous travaux d'entretien ou de réparation.

# PET HANDIMATE® CLEANING

Coupez les poils de tapis et les peluches enchevêtrées autour de la brosse avec une paire de ciseaux.



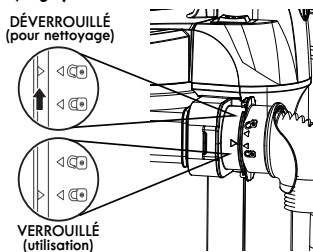
## ÉLIMINATION DES OBSTRUCTIONS

### VÉRIFICATION DE LA PRÉSENCE D'OBSTRUCTIONS DANS LE TUYAU FLEXIBLE

S'il y a un bruit anormal perceptible lors de l'utilisation de l'aspirateur ou si la puissance d'aspiration chute soudainement, il est nécessaire de vérifier la présence d'obstructions dans le tuyau flexible.

Vérifiez fréquemment l'état du conduit d'air afin de vous assurer de l'absence de toutes obstructions.

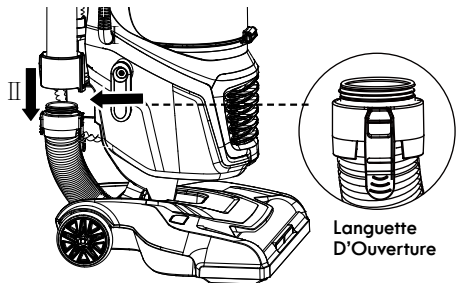
1. Retirez les accessoires de l'extrémité du tube du tuyau flexible.
2. Retirez l'extrémité du tuyau flexible du corps principal en tournant le tuyau jusqu'à ce que les indications s'alignent ainsi qu'illustré dans la section UNLOCKED (Déverrouillé) (pour nettoyage).



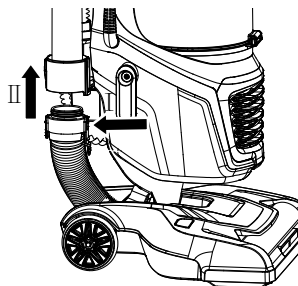
3. Retirez l'extrémité du tuyau, vérifiez la présence d'éventuelles obstructions, puis éliminez-les du tuyau flexible.
4. Réinstallez le tuyau flexible sur l'aspirateur. Voir la section INSTRUCTIONS DE MONTAGE (page 7 & 8).

### VÉRIFICATION DE LA PRÉSENCE D'OBSTRUCTIONS DANS LE TUYAU DE RACCORDEMENT

1. Appuyez sur la languette de dégagement de l'embrasse du tuyau, puis tirez le tuyau de raccordement pour le dégager du corps principal.



2. Vérifiez la présence d'obstructions éventuelles dans le tuyau, puis éliminez-en celles-ci, le cas échéant.
3. Appuyez sur la languette d'ouverture, puis réinsérez le tuyau de raccordement dans l'aspirateur jusqu'à ce qu'un déclic se fasse entendre.





## DÉPANNAGE

Consultez ce tableau pour trouver des solutions de bricolage pour tous problèmes mineurs de performances. Tous travaux d'entretien ou de réparation nécessaires, autre que l'entretien décrit dans le présent Guide D'Utilisation Et D'Entretien, tout autre service requis, composez le 1-844-608-3081 pour organiser le service de réparation.



### AVERTISSEMENT

**Coupez l'alimentation électrique avant d'effectuer l'entretien de l'aspirateur. Le non-respect de cette disposition vous expose à des risques d'électrocution ou de blessures corporelles.**

| PROBLÈME                           | CAUSE POSSIBLE  | SOLUTION  |
|------------------------------------|---|---|
| L'aspirateur ne fonctionne pas.    | Débranché de la prise de courant.   | Branchez fermement, puis appuyez sur le bouton On/Off (Marche/Arrêt).   |
|                                    | Le bouton On/Off (Marche/Arrêt) n'est pas enfoncé pour démarrer l'aspirateur. | Appuyez sur le bouton On/Off (Marche/Arrêt) pour démarrer l'aspirateur.   |
|                                    | Le corps de l'aspirateur est surchauffé.                                      | Débranchez le cordon d'alimentation, puis laissez refroidir l'aspirateur pendant 50 minutes.  |
|                                    | Le moteur est endommagé.  | Veillez composer le numéro : 1-877-531-7321 (US) / 1-844-608-3081 (CA) pour obtenir de l'aide.  |
|                                    | Prise de courant défectueuse.   | Vérifiez l'état de la prise à l'aide d'un bon appareil ou d'une bonne lampe. Faites réparer correctement la prise de courant.   |
| Mauvaise récupération des saletés. | Bac à poussière plein ou obstrué.   | Videz le bac à poussière (page 17).   |
|                                    | Les filtres doivent être nettoyés.  | Suivez les instructions de nettoyage des filtres données en page 18 ou 20.  |
|                                    | La brosse à rouleau ou la courroie est usée ou brisée.                        | Remplacez la brosse à rouleau ou la courroie. Pour acheter des pièces, veuillez composer le numéro : 1-877-531-7321 (US) / 1-844-608-3081 (CA).                       |
|                                    | Le tuyau flexible est usé.  | Remplacez le tuyau. Pour acheter des pièces, veuillez composer le numéro : 1-877-531-7321 (US) / 1-844-608-3081 (CA).   |
|                                    | Le tuyau de raccordement est usé.   | Veillez composer le numéro : 1-877-531-7321 (US) / 1-844-608-3081 (CA) pour obtenir de l'aide.  |
|                                    | Les filtres en mousse et en feutre sont sales ou usés.                        | Nettoyez les filtres en mousse et en feutre. Remplacez-les s'ils sont usés ou brisés. Suivez les instructions données en page 19.                                     |
|                                    | Le tuyau flexible ou le tuyau de raccordement de l'aspirateur est bouché.     | Vérifiez la présence d'obstructions éventuelles dans le conduit d'air, puis éliminez-en toutes celles-ci, le cas échéant. Suivez les instructions données en page 23. |
|                                    | Installation incorrecte du bac à poussière.                                   | Vérifiez l'état du bac à poussière afin de vous assurer qu'il est correctement installé et fermement enclenché.   |

# DÉPANNAGE

|  |  |  |
|--|--|--|
|  | Le tuyau et les accessoires ne sont pas installés correctement.  | Vérifiez l'état du tuyau et des accessoires afin de vous assurer qu'ils sont correctement installés et fermement enclenchés.   |
|  | La régulation d'aspiration est ouverte.  | Réglez la régulation d'aspiration pour augmenter l'aspiration. Suivez les instructions données en page 15.   |
| De la poussière s'échappe de l'aspirateur.                             | Le filtre d'évacuation à cartouche HEPA est endommagé et doit être remplacé.                                   | Remplacez le filtre d'évacuation. Pour acheter des pièces, veuillez composer le numéro : 1-877-531-7321 (US) / 1-844-608-3081 (CA).  |
|  | Le bac de poussière est mal installé.  | Positionnez correctement le bac à poussière, puis enclenchez-le fermement en place.  |
|  | Le filtre d'évacuation à cartouche HEPA est mal installé.  | Vérifiez l'état du filtre d'évacuation afin de vous assurer qu'il est correctement installé. Suivez les instructions données en page 20.   |
| La brosse à rouleau ne tourne pas.                                     | La brosse à rouleau est bloquée.   | Éliminez-en toute obstruction. Suivez les instructions données en page 21.   |
|  | La brosse à rouleau n'est pas installée correctement.  | Retirez la brosse à rouleau, puis réinstallez-la en suivant les instructions données en page 21.   |
|  | La courroie est usée ou brisée.  | Remplacez la courroie. Pour acheter des pièces, veuillez composer le numéro : 1-877-531-7321 (US) / 1-844-608-3081 (CA).   |
|  | La courroie n'est pas acheminée correctement.  | Vérifiez le positionnement de la courroie en consultant la page 21.  |
|  | Défaillance dans le moteur de la brosse à rouleau ou dans la section du circuit imprimé de l'électro-brosse.   | Veuillez composer le numéro : 1-877-531-7321 (US) / 1-844-608-3081 (CA) pour obtenir de l'aide.  |
| Réduction du débit d'air avec les accessoires utilisés; le son change. | L'utilisation des accessoires réduit le débit d'air.   | Vérifiez l'état des accessoires afin de détecter la présence de duvets, de peluches, de poils d'animaux familiers ou de tous autres débris.  |
|  | Des peluches provenant de la moquette neuve obstruent le conduit d'air.  | Vérifiez la présence d'obstructions éventuelles dans le tuyau, puis éliminez-en celles-ci et nettoyez le tuyau.  |
|  | Le filtre d'évacuation à cartouche HEPA est mal installé.  | Assurez-vous que le filtre d'évacuation et le couvercle du logement du filtre d'évacuation sont correctement installés. Assurez-vous que le couvercle du logement du filtre est fermement enclenché. |
| L'aspirateur se met hors tension tout seul.                            | Le protecteur thermique est activé.  | Mettez hors tension l'aspirateur, puis débranchez-le. Laissez refroidir l'aspirateur pendant au moins 50 minutes. Branchez l'aspirateur, puis mettez-le sous tension.                                |
|  | La fiche du cordon d'alimentation s'est détachée de la prise de courant lors de l'utilisation de l'aspirateur. | Réinsérez la fiche du cordon d'alimentation à fond dans la prise de courant. Évitez de tirer ou de traîner le cordon d'alimentation lorsque vous utilisez l'aspirateur.                              |
|  | Le moteur est endommagé.   | Veuillez composer le numéro : 1-877-531-7321 (US) / 1-844-608-3081 (CA) pour obtenir de l'aide.  |
| Le voyant d'état de la brosse à rouleau s'allume en rouge.             | Présence de bourrage dans la zone de la brosse à rouleau.  | Mettez hors tension et débranchez l'aspirateur, puis éliminez les obstructions présentes dans la buse. Voir la page 15.  |
|  | Défaillance dans le moteur de la brosse à rouleau ou dans la section du circuit imprimé de l'électro-brosse.   | Veuillez composer le numéro : 1-877-531-7321 (US) / 1-844-608-3081 (CA) pour obtenir de l'aide.  |

# Kenmore<sup>®/MD</sup>

**Vacuum Cleaner Help Line**

**Assistance téléphonique  
pour les aspirateurs**

**US: 1-877-531-7321**

**CA: 1-844-608-3081**

**8:00 am – 5:00 pm ET M-F**

**De 8 h à 17 h HE lun à ven**

