

MODEL OD-22014

WARNING

WARNING — THE INSTALLATION MUST BE CARRIED OUT BY A QUALIFIED ELECTRICIAN.



1. Ducted fans **MUST** always be vented to the outdoors
2. Rangehood fans can only be installed by qualified technicians
3. Clean ventilation fans frequently. **DO NOT** allow grease to accumulate on the fan or the filter
4. Turn **OFF** power at the service panel before servicing, cleaning or replacing to a new rangehood fan

Application Notice

1. NEVER pick a flaming pan as you may be injured.
2. Always turn the hood **ON** when cooking at high heat or when cooking flaming foods
3. Use proper sized pans that correspond to the size of the stove and the amount of food being cooked
4. **DO NOT** use water, including wet dish clothes or towels, to put out a fire. A violent steam explosion may result
5. To avoid damage to motor or other components, keep drywall spray, construction dust, etc. off the power unit
6. Smother flames with a close-fitting lid, metal tray or cookie sheet. Then turn **OFF** the burner.
Be careful to avoid burns! If the flames are not put out immediately, evacuate and call the fire department for help
7. For general ventilation use only. **DO NOT** use this appliance to exhaust hazardous or explosive materials and vapours
8. Before servicing or cleaning the unit, lock the service panel to prevent power from being switched on accidentally
9. When cutting or drilling into wall or ceiling, be careful not to damage existing electrical wiring and other hidden utilities.
When the service disconnecting cannot be locked, securely fasten a prominent warning device, such as a tag, to the service panel
10. Sufficient air is needed for proper exhausting of gases of fuel burning equipment through the flue (chimney) to prevent back drafting
11. To reduce the risk of fire, use only metal ductwork. Please read specification label on product for further information and requirements
12. **DO NOT** use any accessories not recommended by the manufacturer. This unit **MUST** be grounded and used only for its intended purpose
13. Heat oils slowly on low or medium settings. Never leave cooking unattended at high settings. Boil-overs cause smoking and greasy spillovers that may ignite
14. **DO NOT** use this appliance for commercial uses or with any solid-state speed control device. Installation work and electrical wiring **MUST** be done by qualified technicians in accordance with all applicable codes and standards, including fire-rated construction
15. Use an extinguisher only if: a) The fire department is being called b) You can fight the fire with your back to an exit
c) The fire is small and contained in the area where it started d) You know that you have a Class ABC extinguisher and you already know how to use it

CAUTION

PLEASE READ INSTRUCTION BEFORE COMMENCING INSTALLATION AND RETAIN FOR FUTURE REFERENCES.

Electrical products can cause death or injury, or damage to property.

If in any doubt about the installation or use of this product, consult competent technicians.

INSTALLATION GUIDE

Tools needed for installation

- Drill
- Pliers
- Duct tape
- Electrical tape
- Connector clamp
- Flat-head screwdriver
- Phillips head screwdriver
- 1/8" drill bit for drilling pilot holes
- 1-1/4" wood bit for drilling electrical wiring access hole
- Hand saw or jig saw for cutting the wall or cabinet openings

General Preparation

Installation procedure will require 2 people for easier installation. Ensure to turn power **OFF** before beginning the installation:

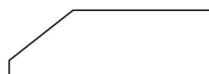
1. Remove the rangehood from the carton
2. Lay the rangehood upside down on a table covered with either cardboard or paper to prevent scratching the hood or table
3. Unscrew the lamp cover with a Phillips head screwdriver
4. Remove the lamp cover and install one 40W light bulb
Replace the lamp cover and the screws

Selecting the Venting Direction

The rangehood can be used for either horizontal, vertical or ductless air discharge. For the best performance, use the shortest possible ducting path and the least amount of elbows when discharging horizontally or vertically



Vertical Discharge Diagram



Vertical Discharge

Vertical discharge is the most common method of hood installation. If your kitchen has an attic space above, the ducting may be run through the cupboard and the attic to a roof cap. Use a 7" round duct (not included). Another option, if your kitchen has a soffit above the cabinet, is to run the duct up into the soffit and then discharge the air horizontally through the outside wall to a wall cap

MODEL OD-22014

INSTALLATION GUIDE

Horizontal Discharge

If the range is located against an outside wall, then horizontal discharging is ideal, provided there are no obstructions such as wall joists or places where openings are difficult to make.

If a wall cap is used directly off the back of the hood, special care must be taken to ensure that the damper in the damper/duct connector on the hood and the damper in the wall cap do not interfere with each other when the rangehood is operating. This could result in either inadequate air delivery or back drafts. If this condition exists, remove the hood damper flap. Sometimes when using a wall cap, it is easier to duct vertically and then to use an elbow.



Cabinet Preparation for Hood Support

Mount the hood so that the bottom of the hood is between 24"-30" above the stove top. **WHEN CUTTING OR DRILLING INTO WALL OR CABINET, BE CAREFUL NOT TO CUT EXISTING ELECTRICAL WIRING.**

1. If the bottom of the cabinet is recessed above the bottom of the cabinet door, then it is necessary to install wood strips on each side of the recessed area on the bottom of the cabinet where the rangehood will be mounted. The wood strips should line up with the 4 keyhole slots on the top of the rangehood. Fasten the wood strips with wood screws about 3" in from each end. * The thickness of the wood strips should be slightly more than the recessed dimension. The length should be cut to size.
2. Measure and mark the electrical wiring opening in the wall or the cabinet. If the hood is to be vented, also mark and measure the duct opening in the wall or cabinet.

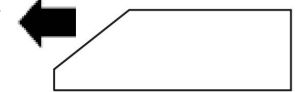
Preparation for Duct Connection

1. Remove the appropriate ducting knockout by inserting a screw driver under one end and prying it up. Then snip or break the attachment points (see Fig.1 on the right)
2. Install the damper assembly to the rangehood with the 2 screws supplied
3. If discharge is vertical through a rectangular duct, remove the knockout sections D, B and E only (see Fig.2)
4. If the vertical discharge is through a 7" round duct, remove knockout sections A, B and C only. Section D and E remain with the hood (see Fig.2 on the right)
5. Mount the round collar (E22A-not supplied) over the opening on the hood by using 3 shorter screws. Allow the bottom edge of the 7" duct to be inserted into the collar

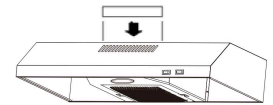
Ductless

In ductless installation, air is vented back into the kitchen through the opening in the rangehood grille. If you do not anticipate heavy cooking, this method may be preferable. Ductless installation requires the use of charcoal filters (included) to remove odours, which should be replaced at regular intervals depending on use. Check with your local retailer or dealer for replacements.

* This filter is not dishwasher safe!



For model OD-22014, you must remove the vent cover from the slots on the front of the rangehood. Save the vent cover for possible future use.



Preparation of Electrical Connections

If replacing an existing hood, the electrical cable may need to be rerouted to the desired position.

1. Determine the location of the electrical cable to connect to the rangehood
2. Remove the electrical knockout on the back or top of the rangehood and install a standard electrical cable clamp
3. Transfer the location of the rangehood electrical knockout to either the bottom of the cabinet or the wall. Drill or cut a hole in the adjoining surface to make room for the electrical cable clamp

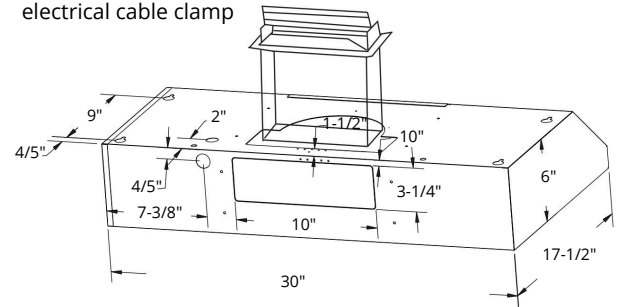
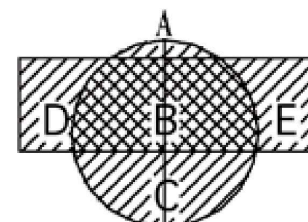


Fig.1

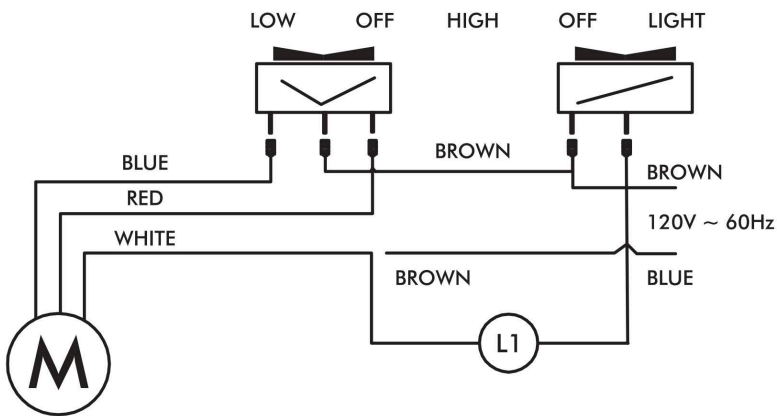


Fig.2



INSTALLATION GUIDE

Wiring Diagram



Installing Ductwork

Your new rangehood will operate at the highest efficiency if the number of elbows and the length of the duct are kept to a minimum. The back draft damper flap attached to the damper frame assembly, which is supplied with the hood, does not impede airflow significantly. You may leave this in place even if you install a wall or roof cap with another back draft damper.

CAUTION

All wiring installation must comply with local and national electrical code regulations.

Hood Installation

1. Lift the hood into position and guide the electrical cable through the electrical cable clamp on the hood
2. Insert the 4 wood screws from the bottom and securely fasten
3. Secure the electrical cable in the cable clamp while allowing sufficient length in the hood to connect the field wires to the hood wires
4. Make the electrical connections using screw-on wire connectors. Attach the BLACK wires together and then the WHITE wires together and after that, the GREEN or bare wire to the GREEN GROUNDING screw in the hood. Replace the wiring compartment cover
5. Attach ductwork and use duct tape to seal all joints
6. After turning all rangehood switches to the OFF position, turn the power ON and test your installation

MAINTENANCE & OPERATION

Aluminum Filter

For highest efficiency, this filter should be removed and cleaned periodically. Soak the filter in hot water and mild soap or detergent. Rinse thoroughly and repeat if necessary. The aluminum filter may be cleaned in the dishwasher. Heavy grease buildup may not be cleaned easily, thus the filter may need to be replaced.

Light Bulb

DO NOT use light bulbs that are brighter than 40W

Charcoal Filter

Inspect this filter periodically. This filter cannot be cleaned and must be replaced when it becomes saturated. Check with your local retailer or dealer to purchase.

Exterior Surface

Wipe the rangehood exterior with a soft cloth and a mild detergent suitable for painted surfaces. DO NOT use abrasive materials such as steel wool pads or scouring powders.

Repair or Replacement Parts

WARNING Disconnect rangehood from the electrical power supply before servicing

All parts may be obtained from service centers authorized by ORTECH, or may be ordered directly from ORTECH.

When ordering parts, please specify the rangehood model number on the rating label, which is located on the inside of the rangehood.

MODEL OD-22014

TROUBLESHOOTING

Fan does not turn on (but light turns on):

This is probably due to either a defective fan switch or a burnt out fan motor. Both can be replaced without removing the rangehood from the wall or cabinet. Use an ohm meter to determine which component is not working. If the ohm meter reads that the fan switch has 0 ohms of resistance, then it is the motor that needs to be replaced. If it reads anything other than zero, then the switch must be replaced.

Fan circulates air, but does not vent outside:

If air is blowing through the front vent openings, then your rangehood has been installed for ductless operation. In order to convert the system to vent outside, a technician must install metal ductwork from the rangehood through either an outside wall or the roof.

If air is not blowing from the front vent openings, check inside the cabinet above the rangehood. If you see a metal duct leading away from the vent hood, then you have a system that vents to the outdoors. If you do not see a duct, your unit may be venting through the back wall.

IMPORTANT REMINDER

All work must be performed by a qualified and licensed technician.

Fan only runs at one speed:

Please see instructions above for troubleshooting when your fan does not turn on (but light turns on).

Light does not turn on (but fan turns on):

This could be because the bulb has burnt out. Try replacing the light bulb. If the light still does not work, either the light switch or the lamp-holder socket is defective. Both can be replaced without removing the rangehood from the wall or cabinet.

Night light does turn on:

Please see the rest of the instructions for troubleshooting when the light that does not turn on (but fan turns on).

Rangehood does not turn on at all:

Check for a tripped circuit breaker or a blown fuse, since the rangehood is wired directly to your household electrical system.

ORTECH reserves the right to modify at any time, without notice, any or all of our product's features, designs, components and specifications to meet market changes.