



A TEREX BRAND

Parts Manual

Serial Number Range

Z-80/60

from SN Z8003-101 to
Z8016-5829

and from Z8016H-5830 to
Z8016H-6399

Part No. 88618

Rev H4

November 2018

Technical Publications

Genie has endeavored to deliver the highest degree of accuracy possible. However, continuous improvement of our products is a Genie policy. Therefore, product specifications are subject to change without notice.

Readers are encouraged to notify Genie of errors and send in suggestions for improvement. All communications will be carefully considered for future printings of this and all other manuals.

Contact Us:

Internet: www.genielift.com
e-mail: awp.techpub@terex.com

Find a Manual for this Model


Go to <http://www.genielift.com>

Use the links to locate Operator's, Parts, Maintenance, and Service and Repair Manuals.

Copyright © 2011 Terex Corporation

88618 Rev H
First Edition, Eighth Printing

Genie is a registered trademark of Terex South Dakota, Inc. in the USA and many other countries. "Z" is a trademark of Terex South Dakota, Inc.

 Printed on recycled paper

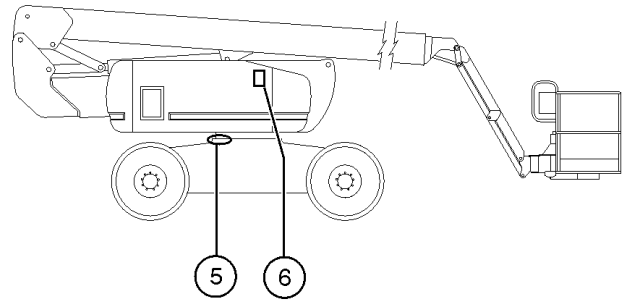
To August 31, 2016

Genie
A TEREX BRAND

Model:
 Serial number: Z8016H-12345
 Model year: 2016 Manufacture date: 01/01/16
 Electrical schematic number:
 Machine unladen weight:
 Rated work load (including occupants):
 Maximum number of platform occupants:
 Maximum allowable side force :
 Maximum allowable inclination of the chassis:

Z80 16 H - 12345

1 2 3 4



- 1 Model
- 2 Model year
- 3 Facility code

- 4 Sequence number
- 5 Serial number (stamped on chassis)
- 6 Serial label (located under cover)

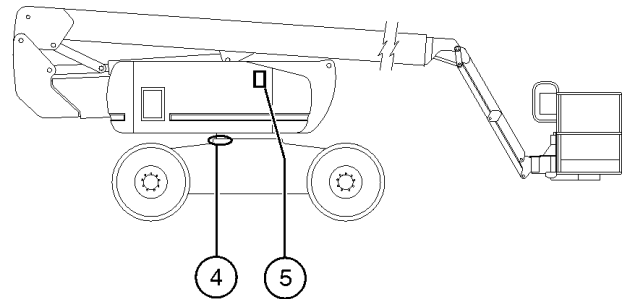
From September 1, 2016

Genie
A TEREX BRAND

Model:
 Serial number: Z80H-12345
 Year of manufacture: 2016
 Electrical schematic number:
 Machine unladen weight:
 Rated work load (including occupants):
 Maximum number of platform occupants:
 Maximum allowable side force:
 Maximum allowable inclination of the chassis:

Z80 H - 12345

1 2 3



- 1 Model
- 2 Facility code
- 3 Sequence number

- 4 Serial number (stamped on chassis)
- 5 Serial label (located under cover)

Table of Contents

This manual is updated frequently. If you have a printed manual, you can keep it up to date by downloading new figures from the Genie website at www.genielift.com. For the most up-to-date parts information, visit the Parts Lookup System on the Genie website at www.genielift.com.

| | |
|-------------------------------------|----|
| How to Read Your Serial Number..... | 3 |
| Parts Stocking List..... | 9 |
| How to Order Parts..... | 10 |
| Service Parts Fax Order Form..... | 11 |

Electronic Version

Click on any page number to view the figure.

001 Parts Stocking List

| | |
|--------------------------------|----|
| 001.1 Parts Stocking List..... | 12 |
|--------------------------------|----|

100 Decals

| | |
|---|----|
| 101.1 Decals with Word, Hydraulic Tank Side / Non-Steer End..... | 16 |
| 102.1 Decals with Word, Engine Side / Steer End..... | 20 |
| 103.1 Decals with Word, Booms..... | 22 |
| 104.1 Decals with Word, Platform..... | 24 |
| 105.1 Decals with Symbols, Hydraulic Tank Side / Non-Steer End..... | 26 |
| 106.1 Decals with Symbols, Engine Side / Steer End..... | 28 |
| 107.1 Decals with Symbols, Booms..... | 30 |
| 108.1 Decals with Symbols, Platform..... | 32 |

200 Drive Chassis Components

| | |
|--|----|
| 201.1 2WD Steer Axle Linkage..... | 34 |
| 202.1 4WD Steer Axle Linkage (to SN 3225)..... | 36 |
| 202.2 4WD Steer Axle Linkage (from SN 3226)..... | 40 |
| 203.1 Front Steer Axle (to SN 3225)..... | 42 |
| 203.2 Front Steer Axle (from SN 3226)..... | 44 |
| 204.1 Axle Installation..... | 46 |
| 205.1 Drive Chassis and Axle Counterweights..... | 50 |
| 206.1 Drive Hub Assembly with Brake - Type 1 (from SN 3226)..... | 52 |
| 207.1 Drive Hub Assembly with Brake - Type 2 (from SN 3156)..... | 54 |

300 Turntable Components

| | |
|---|----|
| 301.1 Hydraulic and Fuel Tanks..... | 56 |
| 301.2 Hydraulic and Fuel Tanks - Gasoline/LPG Models (from SN 966 to 3200)..... | 60 |

| | |
|---|----|
| 301.3 Hydraulic and Fuel Tanks - Gasoline/LPG Models (from SN 3201)..... | 64 |
| 302.1 Turntable Rotator and Hydraulic Rotary Coupler Installation..... | 68 |
| 303.1 Ground Control Box - View 1..... | 74 |
| 303.2 Ground Control Box - View 2..... | 78 |
| 304.1 Ground Controls Box (Perkins 404F-22T and Deutz TD 2.9L4) - View 1..... | 80 |
| 304.2 Ground Controls Box (Perkins 404F-22T and Deutz TD 2.9L4) - View 2..... | 82 |
| 305.1 Turntable Covers..... | 84 |
| 306.1 Turntable Components, Engine Side..... | 86 |
| 307.1 Turntable Components - Relay Panel (to SN 338)..... | 88 |
| 307.2 Turntable Components - Relay Panel (from SN 339)..... | 90 |

400 Engine Components

| | |
|--|-----|
| 401.1 Perkins 704-30 Engine - View 1 (to SN 328)..... | 92 |
| 402.1 Perkins 704-30 Engine - View 2 (to SN 328)..... | 94 |
| 403.1 Perkins 704-30 Engine - View 3 (to SN 328)..... | 96 |
| 404.1 Perkins 704-30 Engine - View 4 (to SN 328)..... | 98 |
| 405.1 Perkins 804D-33 Engine - View 1 (from SN 329)..... | 100 |
| 406.1 Perkins 804D-33 Engine - View 2 (from SN 329)..... | 102 |
| 407.1 Perkins 804D-33 Engine - View 3 (from SN 329)..... | 104 |
| 408.1 Perkins 404F-22T Engine - View 1..... | 106 |
| 409.1 Perkins 404F-22T Engine - View 2..... | 110 |
| 410.1 Perkins 404F-22T Engine - View 3..... | 112 |
| 411.1 Perkins 404F-22T Engine - View 4..... | 114 |
| 412.1 Deutz F4L-913 Engine - View 1 (to SN 338)..... | 116 |
| 413.1 Deutz F4L-913 Engine - View 2 (to SN 338)..... | 118 |
| 414.1 Deutz F4L-913 Engine - View 3 (to SN 338)..... | 120 |
| 415.1 Deutz F4L-913 Engine - View 4 (to SN 338)..... | 122 |
| 416.1 Deutz BF4L-2011 / TD2011-L04i Engine - View 1 (from SN 339)..... | 124 |
| 417.1 Deutz BF4L-2011 / TD2011-L04i Engine - View 2 (from SN 339)..... | 128 |
| 418.1 Deutz TD 2.9L4 Engine - View 1..... | 130 |
| 419.1 Deutz TD 2.9L4 Engine - View 2..... | 132 |
| 420.1 Deutz TD 2.9L4 Engine - View 3..... | 134 |
| 421.1 Deutz TD 2.9L4 Engine - View 4..... | 136 |
| 422.1 GM 3.0L EFI Engine - View 1 (to SN 995)..... | 138 |
| 423.1 GM 3.0L EFI Engine - View 2 (to SN 995)..... | 140 |
| 424.1 Ford LRG-425 EFI Engine - View 1..... | 142 |
| 425.1 Ford LRG-425 EFI Engine - View 2..... | 144 |
| 426.1 Ford LRG-425 EFI Engine - View 3..... | 146 |
| 427.1 Ford LRG-425 EFI Engine - View 4..... | 148 |
| 428.1 Continental TME-27 Engine - View 1..... | 150 |
| 429.1 Continental TME-27 Engine - View 2..... | 152 |

| | | | |
|---|-----|---|-----|
| 430.1 Continental TME-27 Engine - View 3..... | 154 | 713.3 Hydraulic Hoses and Fittings - Drive System, 4WD Models (from 958)..... | 242 |
| 431.1 Engine Tray and Battery..... | 158 | 714.1 Hydraulic Hoses and Fittings - Turntable Components..... | 244 |
| 432.1 GM 3.0L Engine - View 1 (from SN 6086)..... | 160 | 715.1 Hydraulic Hoses and Fittings - Boom Components.. | 246 |
| 433.1 GM 3.0L Engine - View 2 (from SN 6086)..... | 162 | | |
| 434.1 GM 3.0L Engine - View 3 (from SN 6086)..... | 164 | | |
| 435.1 GM 3.0L Engine - View 4 (from SN 6086)..... | 166 | | |
| 500 Boom Components | | 800 Accessories | |
| 501.1 Primary and Secondary Lift Cylinders and Linkage. | 170 | 801.1 Alarm and Beacon Package, Driving Lights..... | 248 |
| 502.1 Primary Boom and Cable Track - View 1..... | 172 | 802.1 Platform Accessories (to SN 6075)..... | 250 |
| 503.1 Primary Boom and Cable Track - View 2..... | 174 | 802.2 Platform Accessories (from SN 6076)..... | 254 |
| 504.1 Secondary Boom..... | 176 | 803.1 Ground and Platform Control Box Covers..... | 256 |
| 505.1 Jib Boom and Platform Rotator..... | 178 | 804.1 Hostile Environment Package - Primary and Secondary Boom Wipers..... | 258 |
| 506.1 Riser Hose Bulkhead Mount..... | 180 | 805.1 Hostile Environment Package - Turntable..... | 260 |
| | | 806.1 Hostile Environment Package - Cylinder Bellows..... | 262 |
| 600 Platform Components | | 807.1 Hostile Environment Package - Engine Air Cleaners. | 264 |
| 601.1 Platform Installation (to SN 6075)..... | 182 | 807.2 Engine Air Cleaners (Perkins 404F-22T and Deutz TD 2.9L4)..... | 266 |
| 601.2 Platform Installation (from SN 6076)..... | 186 | 808.1 Panel Cradle Option..... | 268 |
| 602.1 Platform Controls - View 1 (to SN 4591)..... | 188 | 809.1 Platform Overload - European Models..... | 270 |
| 603.1 Platform Controls - View 2 (to SN 4591)..... | 190 | 810.1 Belt Driven Generator Option - View 1 (to SN 3139). | 272 |
| 604.1 Toggle Switch Lid Option (to SN 4591)..... | 192 | 811.1 Belt Driven Generator Option - View 2 (to SN 3139). | 274 |
| 605.1 Platform Controls (from SN 4592)..... | 194 | 812.1 Air Line to Platform..... | 276 |
| 605.2 Platform Controls, Perkins 404F-22T and Deutz TD2.9L4..... | 198 | 813.1 Welder Option - Hydraulic Generator, Chassis Components..... | 278 |
| 606.1 Joysticks (to SN 1166)..... | 200 | 814.1 Welder Option, Hoses and Fittings..... | 280 |
| 606.2 Joysticks (from SN 1167)..... | 202 | 815.1 Welder Option, Platform Components..... | 282 |
| | | 816.1 Hydraulic Generator Option, Continental TME-27 Engine (to SN 3139)..... | 284 |
| 700 Hydraulic Components | | 817.1 Hydraulic Generator Option, Continental TME-27 Engine, Hoses and Fittings (to SN 3139)..... | 286 |
| 701.1 2WD Traction Manifold..... | 204 | 818.1 Hydraulic Generator Option (MTE) (from SN 3140). | 288 |
| 702.1 2WD Steer/Oscillate Manifold (to SN 989)..... | 206 | 819.1 Hydraulic Generator Option (MTE), Hoses and Fittings (from SN 3140)..... | 290 |
| 702.2 2WD Steer/Oscillate Manifold (from SN 990)..... | 208 | 820.1 Cold Start Package (to SN 4370)..... | 292 |
| 703.1 4WD Traction Manifold..... | 210 | 820.2 Cold Start Package (from SN 4371)..... | 294 |
| 704.1 4WD Steer/Oscillate Manifold (to SN 989)..... | 212 | 821.1 Half-Mesh and Pipe Cradle Options..... | 296 |
| 704.2 4WD Steer/Oscillate Manifold (from SN 990)..... | 216 | 822.1 Spare LPG Tank Carrier Option..... | 298 |
| 705.1 Function Manifold - View 1..... | 220 | 823.1 Operators Protection Alarm (to January 2017)..... | 300 |
| 706.1 Function Manifold - View 2..... | 222 | 823.2 Lift Guard Contact Alarm Option (from January 2017)..... | 302 |
| 707.1 Platform Manifold (to SN 3025)..... | 224 | 824.1 Aircraft Protection Package, Standard (from SN 2463 to 4800)..... | 304 |
| 707.2 Platform Manifold (from SN 3026)..... | 226 | 825.1 Aircraft Protection Package, Deluxe (from SN 2463 to 4800)..... | 306 |
| 708.1 Platform Rotate Manifold..... | 228 | 825.2 Aircraft Protection Package (from SN 4801)..... | 308 |
| 709.1 Remote Pilot Manifold (to SN 2674)..... | 230 | 826.1 Operator Protection Structure (from SN 142)..... | 310 |
| 710.1 Pumps..... | 232 | 827.1 Fall Arrest Bar..... | 312 |
| 711.1 Hydraulic Hoses and Fittings - Steer System..... | 234 | | |
| 712.1 Hydraulic Hoses and Fittings - Drive System, 2WD Models..... | 236 | | |
| 713.1 Hydraulic Hoses and Fittings - Drive System, 4WD Models (to SN 538)..... | 238 | | |
| 713.2 Hydraulic Hoses and Fittings - Drive System, 4WD Models (from SN 539 to 957)..... | 240 | | |

Indices

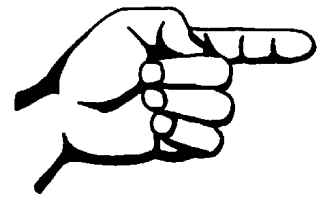
Table of Contents (continued)

Part Number Index.....314
Part Description Index.....325

Cross References
Fittings Cross Reference.....342

This Page Intentionally Left Blank

Please refer to section 001 for the Recommended
Spare Parts List.



This page intentionally left blank.

How To Order Parts

How to Order Parts

Please be prepared with the following information when ordering replacement parts for your Terex or Genie product.

- Machine model number
- Machine serial number
- Part number
- Part description and quantity
- Purchase order number
- "Ship to" address
- Desired method of shipment
- Name and telephone number of the authorized distributor in your area.

Use the Service Parts Fax Order Form on the next page and fax your order to our Parts Department.

If you don't know the name of your authorized distributor, or if your area is not currently serviced by an authorized distributor, please call Terex or Genie Industries.

Machine Information

Model

Serial Number

Date of Purchase

Authorized Genie Distributor

Phone Number

North America

Telephone (425)881-1800
Toll Free (800)536-1800 in US and Canada
Fax (425)556-8659
Toll Free fax (888)274-6192
Email AWP.PartsSalesPO@terex.com
<http://genielift.com/en>

EMEAR (Europe, Middle East, Africa and Russia)

Telephone (31)(165)519 313
Fax (31)(165)511 148
<http://genielift.co.uk>

Asia Pacific (Genie Singapore)

Telephone +65 6692 7777
Fax +65 6261 8893
<http://genielift.com.sg/>

Australia

Telephone (61)(7)3456 4444
Fax (61)(7)3456 4466
<http://genielift.com.au>

South America

Telephone (55)(11)4082 5600
Fax (55)(11)4082 5630



Service Parts Fax Order Form

Fax to: (425) 556-8659 or Toll Free: 888-274-6192
International: +1-425-556-8659

Please fill out completely

Date _____ Account Number _____

Your Name _____ Your Fax Number _____

_____ Your Phone Number _____

Bill To _____ Ship To _____

Purchase Order Number _____ Ship Via _____

Model(s) _____ Serial No.(s) _____

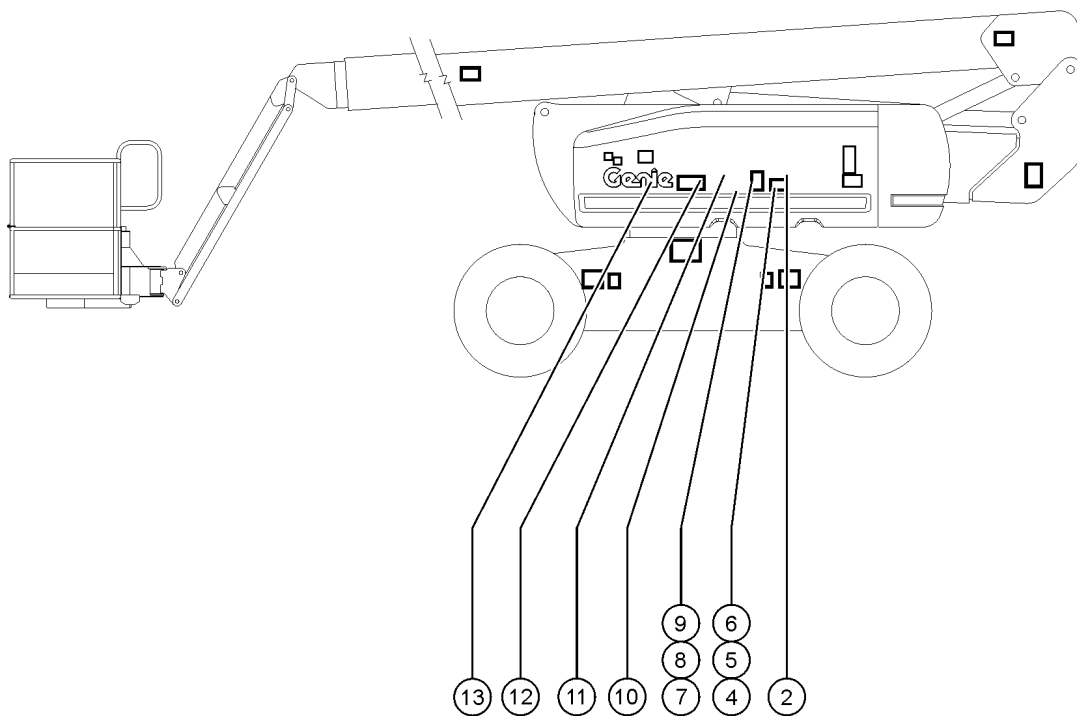
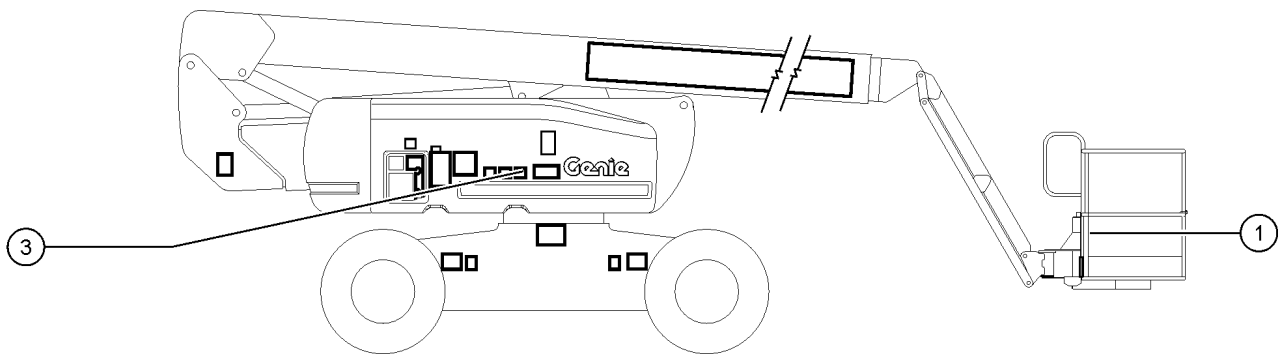
Optional Equipment _____

| Part Number | Description | Quantity | Price |
|-------------|-------------|----------|-------|
| | | | |
| | | | |
| | | | |
| | | | |
| | | | |
| | | | |
| | | | |
| | | | |
| | | | |
| | | | |
| | | | |
| | | | |
| | | | |
| | | | |
| | | | |
| | | | |
| | | | |
| | | | |
| | | | |
| | | | |
| | | | |
| | | | |
| | | | |
| | | | |
| | | | |

All back-ordered parts will be shipped when available via the same ship method as the original order unless Noted below:

- Ship complete order only - No back orders
- Ship all available parts and contact customer on disposition of back-ordered parts
- Other (please specify)

001.1 Parts Stocking List



001.1 Parts Stocking List

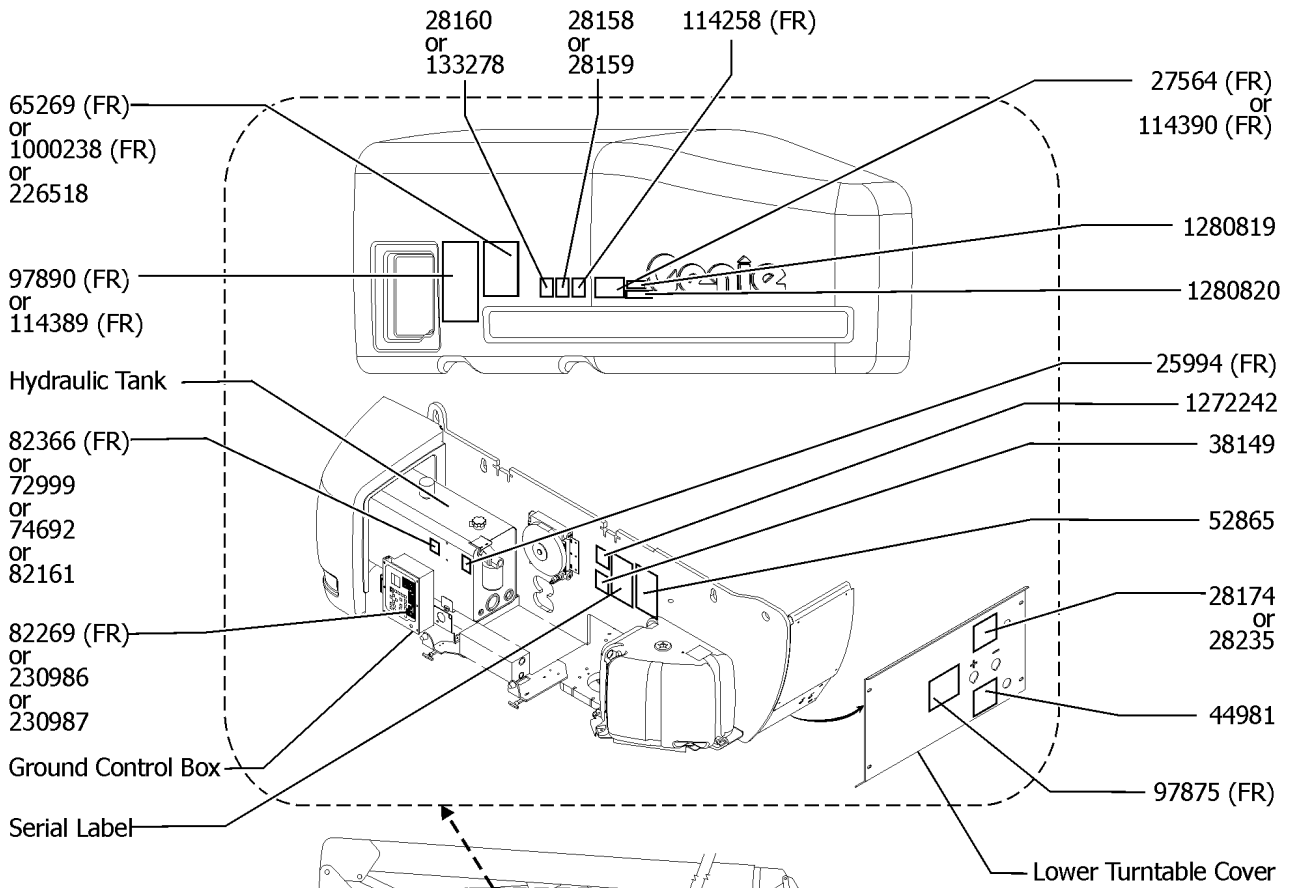
| Item | Part No. | Description | Qty. | Item | Part No. | Description | Qty. |
|------|-----------|---|------|------|-----------|---|------|
| A | | —INSPECTION SERVICE KITS— | | 5 | | —Perkins 804D-33 Models— | |
| -- | 1278714GT | KIT,ENGINE SERVICE,250 HOUR,DEUTZ TD2.9,S80/Z80 | | -- | 101613GT | ELEMENT,OIL FILTER,PERKINS*** from SN 329 | |
| -- | 1285419GT | KIT,ANNUAL INSPECTION,Z80 from SN Z8014-4987 | | -- | 101614GT | ELEMENT,FUEL/WATER SEPARATOR from SN 329 | |
| B | | —GENERAL SERVICE PARTS— | | -- | 102534GT | V-BELT, PERKINS 804C-33 from SN 329 (for alternator) | |
| -- | 1257733GT | PAINT,WET,TRAFFIC BLACK (1 GL)** 1-gallon | | -- | 62420GT | FILTER,AIR*** from SN 329 | |
| -- | 1258567GT | PAINT, AEROSOL, TRAFFIC BLACK 12-ounce spray paint | | 6 | | —Perkins 404F-22T Models— | |
| -- | 1268GT | PAINT,AEROSOL,GENIE GRAY*** 12-ounce spray paint | | -- | 1262487GT | BELT,AIR PUMP,PERKINS 404F-22T | |
| -- | 1283776GT | SEAL MARKER,CROSS CHECK,BLUE,TUBE | | -- | 62420GT | FILTER,AIR*** | |
| -- | 1484GT | PAINT,AEROSOL,BRIGHT BLUE*** 12-ounce spray paint | | -- | 62421GT | FILTER,FUEL,PERKINS | |
| -- | 28750GT | O-RING KIT,FIELD SVC,ALL PROD* O-ring kit, SAE | | -- | 62433GT | FILTER,ELEMENT,30 MIC,75020 | |
| -- | 32150GT | PAINT,WET,GENIE BLUE (1 GL)** 1-gallon | | -- | 89765GT | BELT, V (PERKINS 404) | |
| -- | 32151GT | PAINT,WET,GENIE GRAY (1 GL)** 1-gallon | | -- | 94762GT | OIL FILTER - PERKINS | |
| -- | 33994GT | PLUG AND CAP KIT-SERVICE,37 ** Plug and cap kit, SAE | | 7 | | —Deutz F3L-913 Models— | |
| -- | 49612GT | O-RING KIT (ORFS FITTINGS) O-ring kit, Parker | | -- | 62425GT | FILTER,AIR CLEANER,SUPERBOOM to SN 338 | |
| -- | 60536GT | FUSE,20 AMP,MAXI (refer to figure 307.1) | | -- | 62430GT | FILTER,OIL, DEUTZ F4L913 to SN 338 | |
| -- | 66399GT | GREASE,DIELECTRIC 4 OZ** | | -- | 62431GT | BELT,V, BLOWER, DEUTZ F4L913 to SN 338 | |
| -- | 93500GT | PARKER DIGITAL PRESSURE GAUGE | | -- | 75484GT | FILTER,FUEL/WATER SEPARATOR to SN 338 | |
| -- | 94327GT | FUSE,30 AMP (refer to figure 307.1) | | 8 | | —Deutz BF4L-2011 /TD2011-L04i Models— | |
| 1 | | —MANUALS— | | -- | 102589GT | V-BELT, DEUTZ F4L2011 from SN 339 | |
| -- | 27581GT | MANUAL,AEM SAFETY | | -- | 29560GT | FILTER,FUEL/WTR SEP, DTZ 1008 from SN 339 | |
| -- | 31779GT | MANUAL,RESPON,A92.5 BOOM | | -- | 49924GT | FILTER,OIL,DEUTZ F4L1011F from SN 339 | |
| 2 | | —HYDRAULIC FILTERS— | | -- | 62425GT | FILTER,AIR CLEANER,SUPERBOOM from SN 339 | |
| -- | 60857GT | FILTER,ELEMENT,BETA(5)=1000 All Models | | 9 | | —Deutz TD 2.9L4 Models— | |
| 3 | 61326GT | FILTER ELEMENT,10 MICRON,60508 All Models | | -- | 1262487GT | BELT,AIR PUMP,PERKINS 404F-22T | |
| 4 | | —Perkins 704-30 Models— | | -- | 1262866GT | FAN BELT, ALTERNATOR | |
| -- | 62420GT | FILTER,AIR*** to SN 328 | | -- | 214228GT | FILTER, DEUTZ 2.9, FUEL | |
| -- | 62421GT | FILTER,FUEL,PERKINS to SN 328 | | -- | 236260GT | PRE-FILTER,FUEL,DEUTZ TCD3.6 | |
| -- | 62422GT | FILTER,OIL,PERKINS 704-30 (BB) to SN 328 | | -- | 49924GT | FILTER,OIL,DEUTZ F4L1011F | |
| -- | 62423GT | BELT,V KIT, PERKINS 704-30 to SN 328 | | -- | 62425GT | FILTER,AIR CLEANER,SUPERBOOM | |
| | | | | 10 | | —GM 3.0L EFI Models— | |
| | | | | -- | 62420GT | FILTER,AIR*** | |
| | | | | -- | 65620GT | PCV VALVE-GM 3.0L ENGINE | |
| | | | | -- | 65621GT | BELT-FAN, GM 3.0L ENGINE | |
| | | | | -- | 65622GT | SPARK PLUG-GM 3.0L ENGINE | |

001.1 Parts Stocking List
(continued)

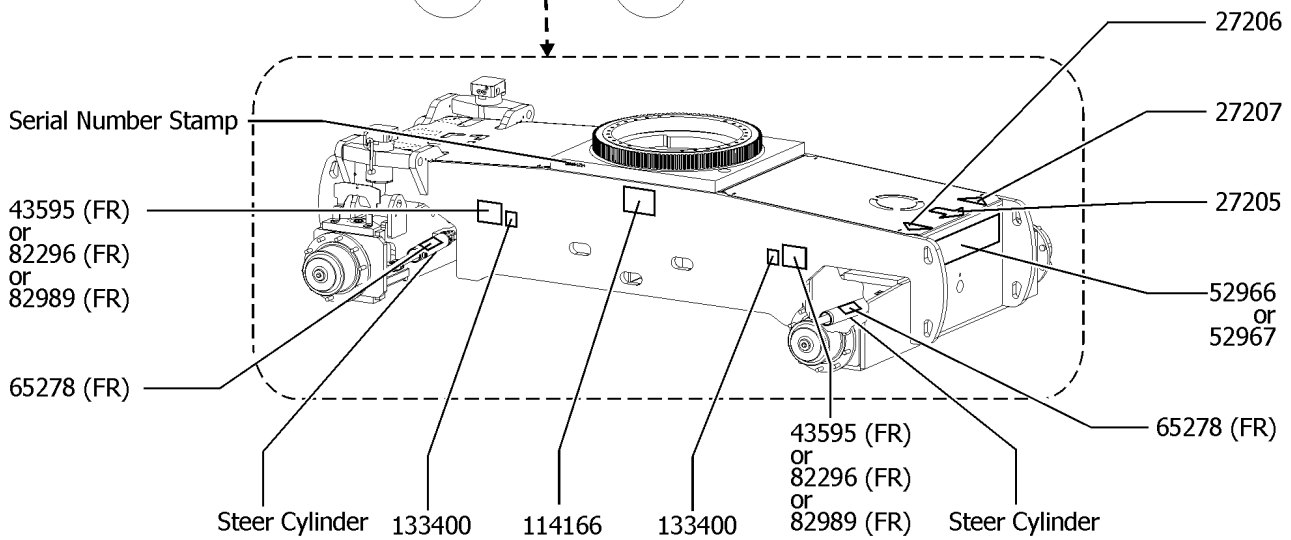
| Item | Part No. | Description | Qty. |
|------|----------|------------------------------------|------|
| -- | 65623GT | FILTER-OIL,GM 3.0L ENGINE | |
| -- | 65626GT | FILTER-FUEL, GM 3.0L ENGINE | |
| -- | 65627GT | FILTER-LPG, GM 3.0L ENGINE | |
| 11 | | —Ford LRG-425 Models— | |
| -- | 106490GT | SPARK PLUG, FORD LRG425 | |
| -- | 28656GT | FILTER,OIL,FORD | |
| -- | 33957GT | VALVE,PCV-FORD LRG*** | |
| -- | 52179GT | FILTER, FUEL LRG 425/423 EFI | |
| -- | 52580GT | BELT,SERPENTINE,LRG425 EFI*** | |
| -- | 58967GT | FUEL PRESSURE REG,425EFI*** | |
| -- | 77295GT | FILTER ELEMENT,AIR,NOLFF LPG | |
| 12 | | —Continental TME-27 Models— | |
| -- | 111797GT | FILTER, GAS, SAE J2044 FITTING | |
| -- | 111914GT | REGULATOR,FUEL PRESS. TME27 | |
| -- | 111917GT | OIL FILTER,TME 2.7L ENGINE | |
| -- | 62420GT | FILTER,AIR*** | |

This Page Intentionally Left Blank

101.1 Decals with Word, Hydraulic Tank Side / Non-Steer End



NOTE:
Part numbers with "(FR)"
indicates French translation
is available



101.1 Decals with Word, Hydraulic Tank Side / Non-Steer End

| Item | Part No. | Description | Qty. | Item | Part No. | Description | Qty. |
|------|-----------|---|------|------|-----------|--|------|
| A | | Decal Kits are model, option or configuration specific. Refer to the kit instructions for proper configuration. | | 14 | 52865GT | DECAL,ANNUAL INSP***.....1 (US Only) | |
| B | 1256328GT | DECAL KIT,Z80,COMP,WRD,ANSI ANSI Word from SN 801 to 2448 | | 15 | 52966GT | DECAL,COSMETIC,4 X 2.....1 Option, drive | |
| -- | 1256332GT | INSTRUCTIONS,INSTALL,COMP,WORD | | 16 | 52967GT | DECAL,COSMETIC,4 X 4.....1 Option, drive | |
| C | 824283GT | DECAL KIT,Z80 COMP,WORD,ANSI ANSI Word from SN 2449 to 3910 | | 17A | 65269GT | DECAL,NOTICE,OPERATING INST.....1 ANSI to SN 800 | |
| -- | 824317GT | INSTRUCTIONS, INSTALL (824283) | | 17B | 1000238GT | DECAL,NOTICE,OPERATING INST.....1 ANSI from 801 | |
| D | 1256330GT | DECAL KIT,Z80,COMP,WRD,AUS AUS models from SN 801 to 2448 | | 18 | 65278GT | DECAL,CAUTION,NO STEP.....2 | |
| -- | 1256332GT | INSTRUCTIONS,INSTALL,COMP,WORD | | 19 | 72999GT | DECAL,LABEL,PETRO CANADA***.....1 Option, hydraulic oil | |
| E | 824285GT | DECAL KIT,Z80 COMP,WORD,AUS AUS models from SN 2449 to 3157 | | 20 | 74692GT | HYD.FLUID,FIRE RES.QUINTOLUB**....1 Option, hydraulic oil | |
| -- | 824319GT | INSTRUCTIONS, INSTALL (824285) | | 21 | 82161GT | DECAL,LABEL,UCON HYDROLUBE.....1 Option, hydraulic oil | |
| F | 824288GT | DECAL KIT,Z80 COMP,WORD,AU AUS models from SN 3158 to 3910 | | 22A | 82269GT | DECAL,GROUND CONTROL PANEL,Z80.....1 to SN 3910 | |
| -- | 824321GT | INSTRUCTIONS, INSTALL (824288) | | 22B | 230986GT | DECAL, GROUND CONTROL Z80.....1 from SN 3911 | |
| G | 824293GT | DECAL KIT,Z80 COMP,WORD,AUS AUS models from SN 3911 to 4092 | | 22C | 230987GT | DECAL, SERVICE RECOVERY SWITCH.....1 from SN 3911 | |
| -- | 824325GT | INSTRUCTIONS, INSTALL (824293) | | 23 | 82296GT | DECAL, NOTICE TIRE SPECS.....2 (foam filled) | |
| H | 824304GT | DECAL KIT,Z80 COMP,WORD,AUS AUS models from SN 4093 | | 24 | 82366GT | DECAL,CHEVRON RANDO HD.....1 Option, hydraulic oil | |
| -- | 824308GT | INSTRUCTIONS, INSTALL (824304) | | 25 | 82989GT | DECAL,DANGER/NOTICE,TIRES,HIF....2 (hi-floatation) | |
| 1 | 25994GT | DECAL,NOTICE,SHUTOFF VALVES.....1 | | 26 | 97875GT | DECAL,WARN.WELD LINE INST.WORD.....1 Option, weld cable line | |
| 2 | 27205GT | DECAL,ARROW YELLOW LRG 9".....1 | | 27A | 97890GT | DECAL,DANGER,GEN SAFETY RULES.....1 from SN 101 to 2448 | |
| 3 | 27206GT | DECAL,TRIANGLE,BLUE.....1 | | 27B | 114389GT | DECAL,DANGER,GENERAL SAFETY....1 from SN 2449 | |
| 4 | 27207GT | DECAL,TRIANGLE,YELLOW.....1 | | 28 | 114166GT | DECAL,LABEL,TRANSPORT DIAGRAM.....1 | |
| 5A | 27564GT | DECAL,DANGER,ELEC.HAZ.STAY CLR.....1 to SN 2448 | | 29 | 114258GT | DECAL,DANGER,NO SMOKING.....1 | |
| 5B | 114390GT | DECAL,DANGER,ELECT HAZARD***....1 from SN 2449 | | 30 | 133278GT | DECAL,LOW/ULTRA LOW SULFR FUEL.....1 (Deutz - from SN 2178) (perkins - from SN 2025) | |
| 6 | 28158GT | DECAL,LABEL,UNLEADED GAS ONLY.....1 Option, fuel | | 31 | 133400GT | DECAL,LABEL,WHEEL LOAD Z80***....2 | |
| 7 | 28159GT | DECAL,DIESEL.....1 Option, fuel | | 32 | 226518GT | DECAL,INST,OPER INST,Z80,AUS.....1 AUS | |
| 8 | 28160GT | DECAL,LABEL,LIQUID PROPANE.....1 Option, LPG tank | | 33 | 1280819GT | DECAL,WARNING,CANCER AND REPRODUCTIVE HARM, PROP 65.....1 (US Only) | |
| 9 | 28174GT | DECAL, POWER TO PLATFORM 230V**.....1 | | | | | |
| 10 | 28235GT | DECAL,POWER TO PLATFORM 115V...1 | | | | | |
| 11 | 38149GT | DECAL,LABEL,PATENTS.....1 (US Only) | | | | | |
| 12 | 43595GT | DECAL,DANGER,TIP-OVER,TIRES***...2 (foam filled) | | | | | |
| 13 | 44981GT | DECAL,LABEL, AIR LINE 110 PSI.....1 Option, airline to platform | | | | | |

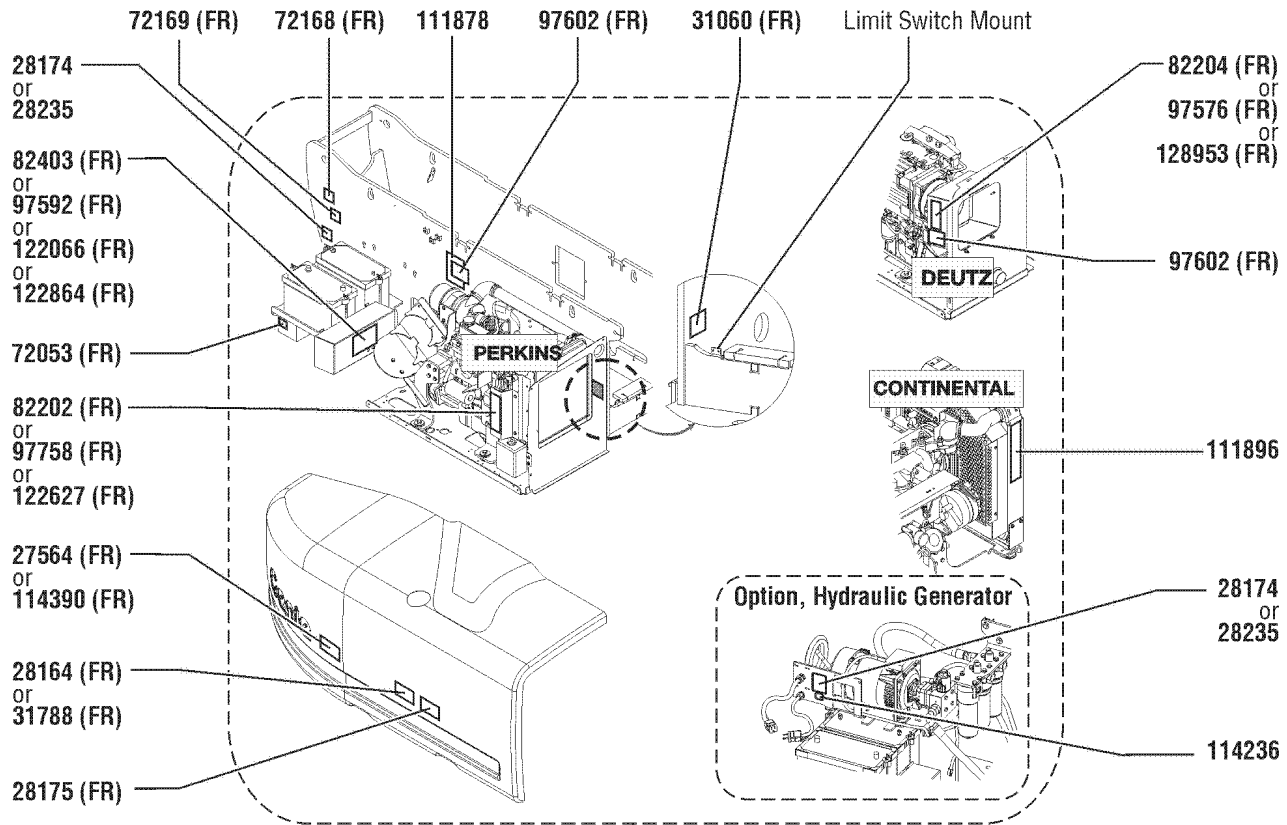
101.1 Decals with Word, Hydraulic Tank Side / Non-Steer End
(continued)

| Item | Part No. | Description | Qty. |
|------|-----------|--|------|
| 34 | 1280820GT | DECAL,FUEL,DIESEL EXHAUST, PROP 65.....1 <i>(diesel and US Only)</i> | |
| 35 | 1272242GT | DECAL,MACHINE REGISTRATION/OWNER TRANSFER....1 | |

101.1 Decals with Word, Hydraulic Tank Side / Non-Steer End
(continued)

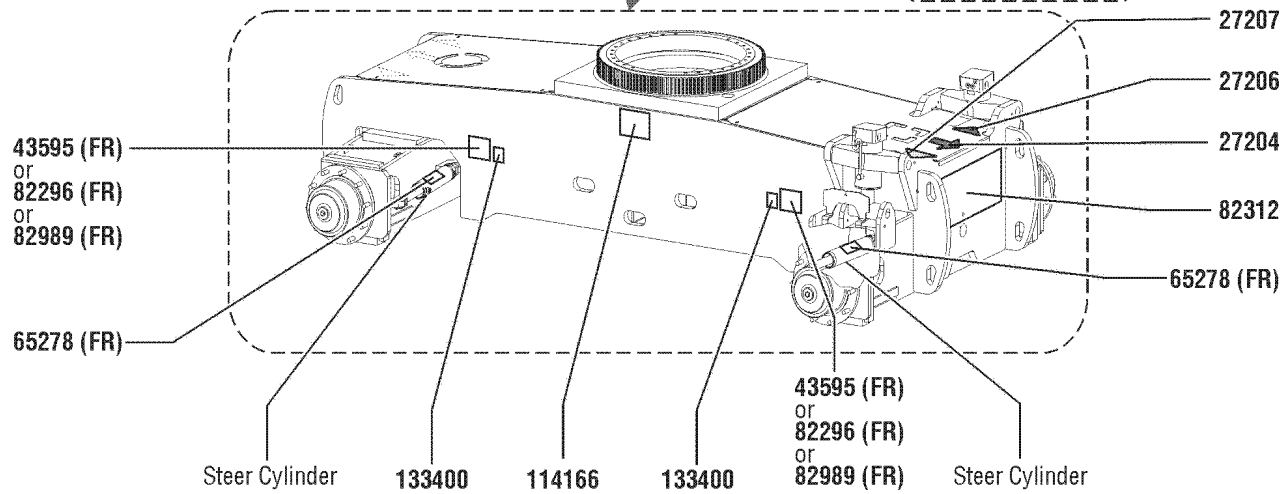
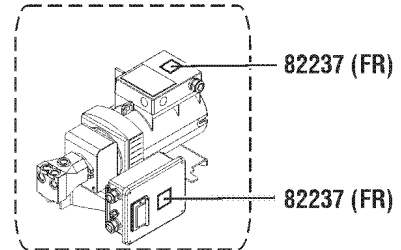
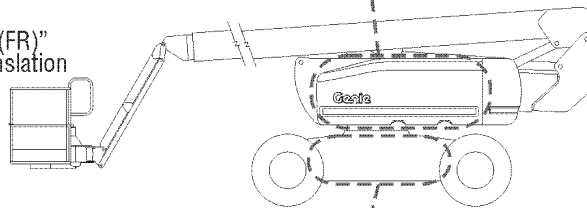
This Page Intentionally Left Blank

102.1 Decals with Word, Engine Side / Steer End



NOTE:
Part numbers with "(FR)"
indicates French translation
is available

■ Shading indicates
decal is hidden
from view.

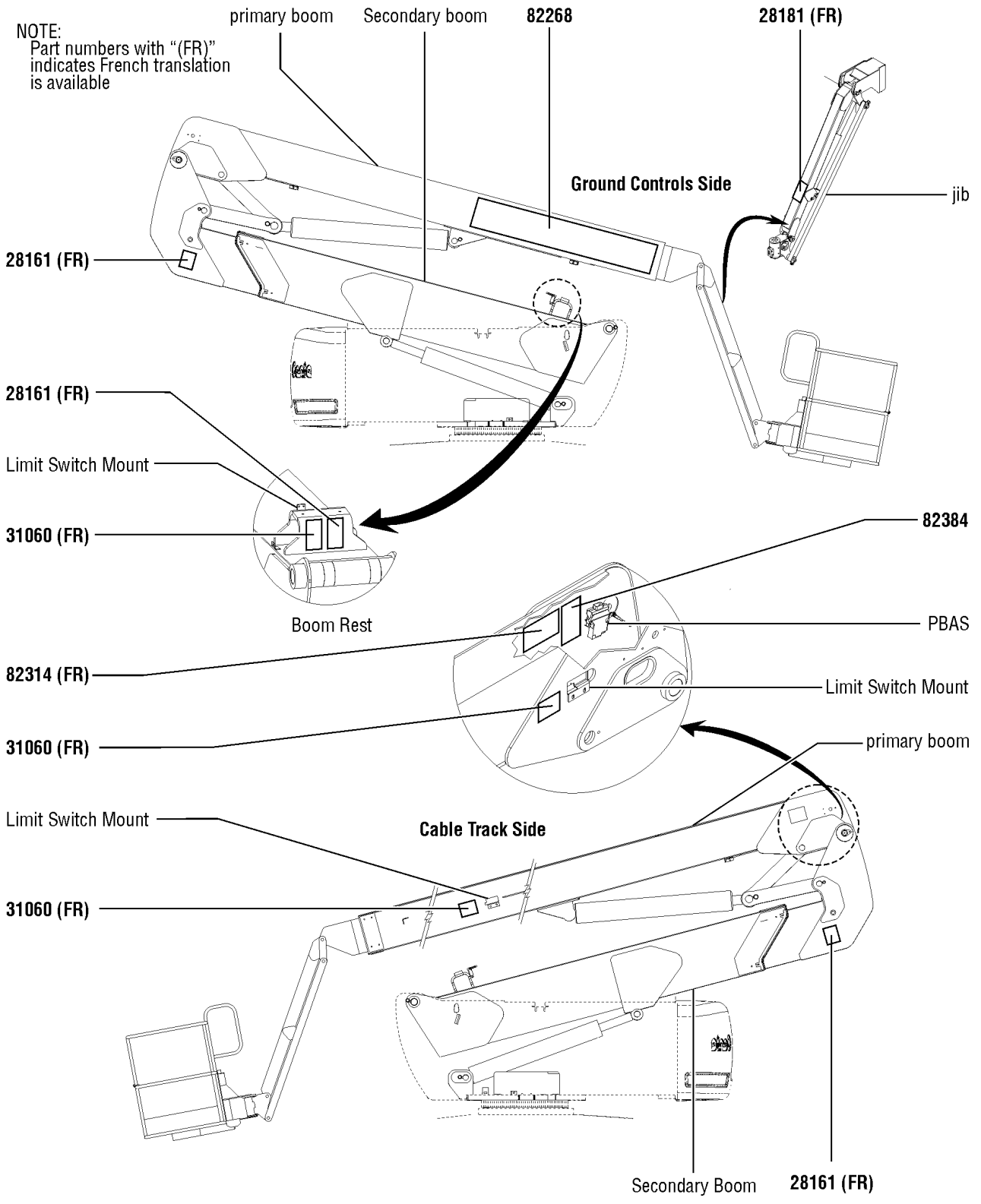


102.1 Decals with Word, Engine Side / Steer End

| Item | Part No. | Description | Qty. | Item | Part No. | Description | Qty. |
|------|----------|---|------|------|----------|---------------------------------------|------|
| 1 | 27204GT | DECAL,ARROW BLUE..... | 1 | 20A | 82403GT | DECAL, RELAY & FUSE PANELS..... | 1 |
| 2 | 27206GT | DECAL,TRIANGLE,BLUE..... | 1 | | | <i>to SN 328</i> | |
| 3 | 27207GT | DECAL,TRIANGLE,YELLOW..... | 1 | 20B | 97592GT | DECAL, LABEL,FUSE RELAY PANEL.... | 1 |
| 4A | 27564GT | DECAL,DANGER,ELEC.HAZ.STAY CLR..... | 1 | | | <i>from SN 329 to SN 995</i> | |
| | | <i>to SN 2448</i> | | 20C | 122066GT | DECAL, RELAY & FUSE PANELS..... | 1 |
| 4B | 114390GT | DECAL,DANGER,ELECT HAZARD***.... | 1 | | | <i>from SN 996 to 2439</i> | |
| | | <i>from SN 2449</i> | | 20D | 122864GT | DECAL,RELAY & FUSE PANELS..... | 1 |
| 5A | 28164GT | DECAL,NOTICE,HAZARDOUS MAT'LS*..... | 1 | | | <i>from SN 2440</i> | |
| | | <i>to SN 2448</i> | | 21 | 82989GT | DECAL,DANGER/NOTICE,TIRES,HIF.... | 2 |
| 5B | 31788GT | DECAL,DANGER,BATTERY SAFETY***..... | 1 | | | <i>(hi-floatation)</i> | |
| | | <i>from SN 2449</i> | | 22 | 97602GT | DECAL,EXPLOSION HAZARD..... | 1 |
| 6 | 28174GT | DECAL, POWER TO PLATFORM 230V**..... | 1 | 23 | 111878GT | DECAL,FUSE AND RELAY TME27..... | 1 |
| | | <i>Option</i> | | | | <i>continental engines only</i> | |
| 7 | 28175GT | DECAL,WARNING-COMPART ACCESS..... | 1 | 24 | 111896GT | DECAL,ENG.SPECS,CONTINENTAL..... | 1 |
| 8 | 28235GT | DECAL,POWER TO PLATFORM 115V...1 | 1 | | | <i>continental engines only</i> | |
| | | <i>Option</i> | | 25 | 114166GT | DECAL,LABEL,TRANSPORT DIAGRAM..... | 1 |
| 9 | 31060GT | DECAL,DANGER DO NOT ALTER SWTC..... | 1 | 26 | 114236GT | DECAL,LABEL,CB SYMBOL..... | 1 |
| 10 | 43595GT | DECAL,DANGER,TIP-OVER,TIRES***...2 | 2 | | | <i>Option, circuit breaker</i> | |
| | | <i>(foam filled)</i> | | 27 | 133400GT | DECAL,LABEL,WHEEL LOAD Z80***.... | 2 |
| 11 | 65278GT | DECAL,CAUTION,NO STEP..... | 2 | | | | |
| 12 | 72053GT | DECAL,LABEL,30A CB..... | 1 | | | | |
| | | <i>Option, generator</i> | | | | | |
| 13 | 72168GT | DECAL,LABEL,STARTER BATTERY..... | 1 | | | | |
| | | <i>Option, battery</i> | | | | | |
| 14 | 72169GT | DECAL,LABEL,CONTROLS BATTERY...1 | 1 | | | | |
| | | <i>Option, battery</i> | | | | | |
| 15A | 82202GT | DECAL,NOTICE,DEUTZ ENG SPEC..... | 1 | | | | |
| | | <i>to SN 328</i> | | | | | |
| 15B | 97758GT | DECAL,WARN.WELD LINE INST.WORD..... | 1 | | | | |
| | | <i>from SN 329 to 2024</i> | | | | | |
| 15C | 122627GT | DECAL,T3 ENGINE SPEC.PERKINS.... | 1 | | | | |
| | | <i>from SN 2025</i> | | | | | |
| 16A | 82204GT | DECAL,DANGER,HIGH VOLTAGE..... | 1 | | | | |
| | | <i>to SN 328</i> | | | | | |
| 16B | 97576GT | DECAL,EXPLOSION HAZARD..... | 1 | | | | |
| | | <i>from SN 329 to 2177</i> | | | | | |
| 16C | 128953GT | DECAL,ENGINE SPEC,DEUTZ,TD2011..... | 1 | | | | |
| | | <i>from SN 2178</i> | | | | | |
| 17 | 82237GT | DECAL,DANGER,HIGH VOLTAGE..... | 2 | | | | |
| | | <i>Option, welder generator</i> | | | | | |
| 18 | 82296GT | DECAL, NOTICE TIRE SPECS..... | 2 | | | | |
| | | <i>(foam filled)</i> | | | | | |
| 19 | 82312GT | DECAL,COSMETIC,Z80..... | 1 | | | | |

103.1 Decals with Word, Booms

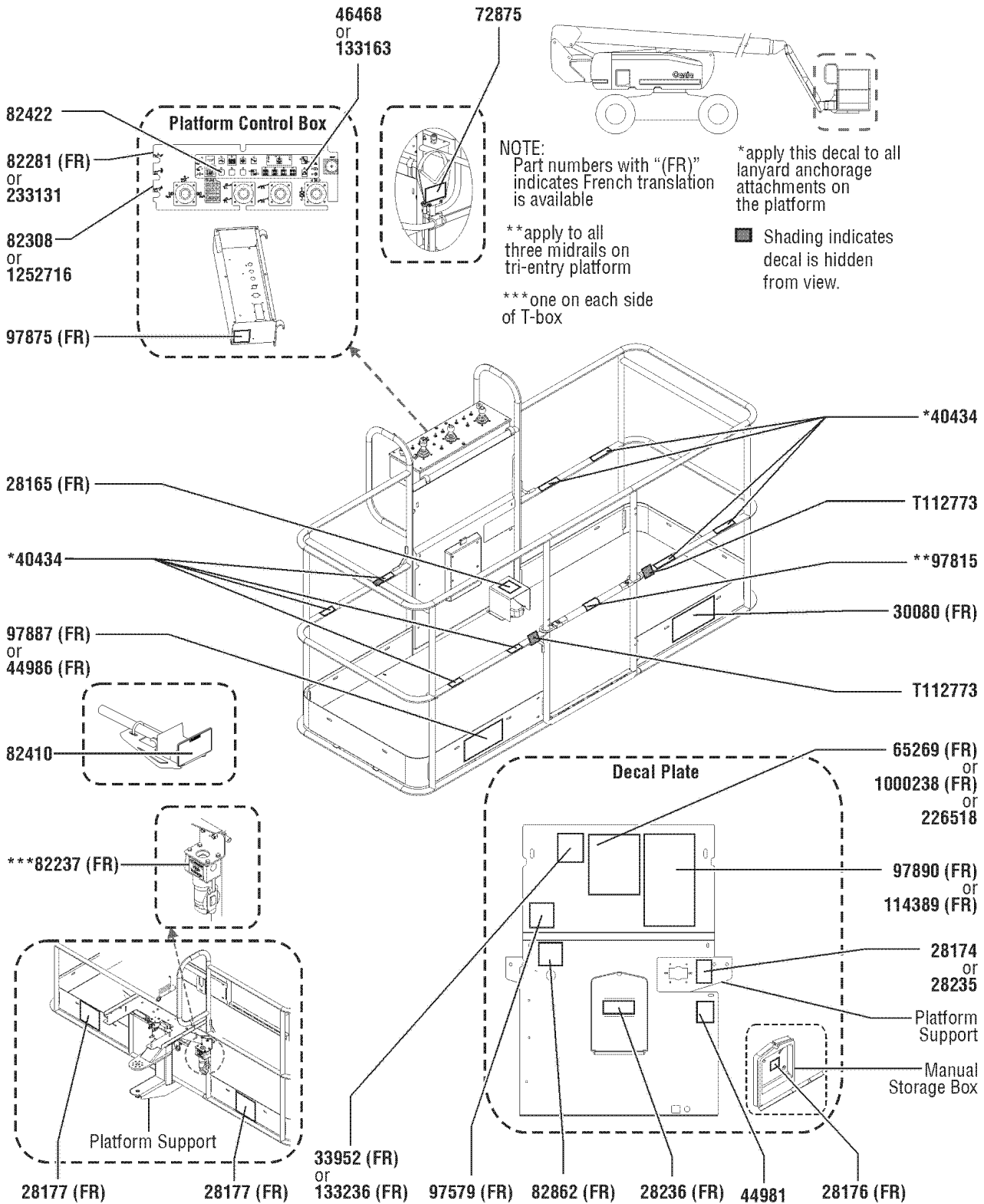
NOTE:
Part numbers with "(FR)"
indicates French translation
is available



103.1 Decals with Word, Booms

| Item | Part No. | Description | Qty. |
|------|----------|--|------|
| 1 | 28161GT | DECAL,WARN,CRUSH HAZARD HAND..... | 3 |
| 2 | 28181GT | DECAL,WARN,FALL HAZARD..... | 1 |
| 3 | 31060GT | DECAL,DANGER DO NOT ALTER SWTC..... | 3 |
| 4 | 82268GT | DECAL,COSMETIC,GENIE Z-80/60..... | 1 |
| 5 | 82314GT | DECAL,DANGER,TIP-OVER..... | 1 |
| 6 | 82384GT | DECAL, LABEL, PBAS VOLTAGE..... | 1 |

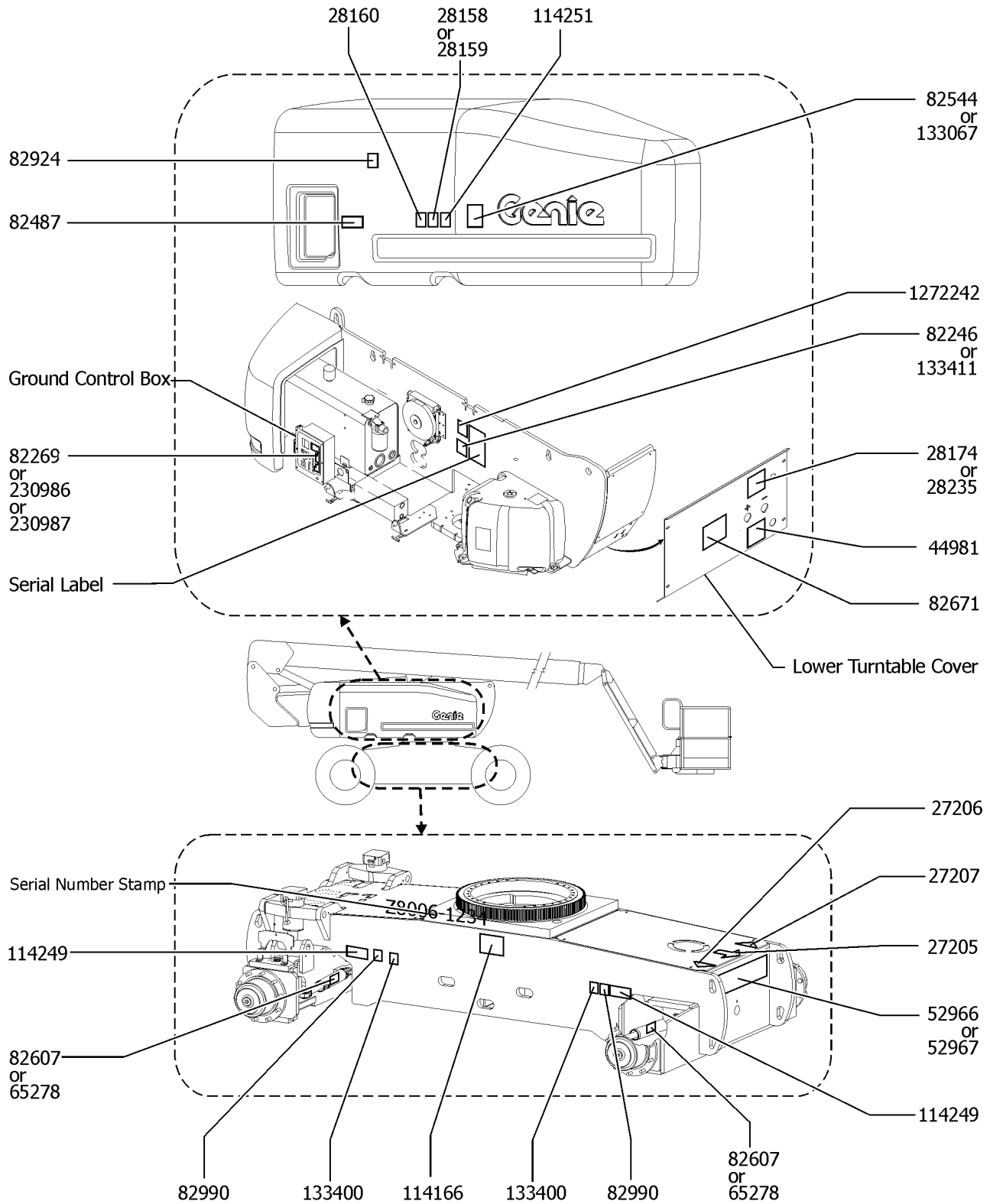
104.1 Decals with Word, Platform



104.1 Decals with Word, Platform

| Item | Part No. | Description | Qty. | Item | Part No. | Description | Qty. |
|------|-----------|---|------|------|-----------|---|------|
| A | | Decal Kits are model, option or configuration specific. Refer to the kit instructions for proper configuration. | | 16B | 233131GT | DECAL, PLATFORM CONTROL PANEL.....1 <i>from SN 4592</i> | 1 |
| B | 1279467GT | DECAL KIT,Z80,PLAT,WORD,ANSI/AUS ANSI / AUS models to 800 | | 17A | 82308GT | DECAL,CONTROL PANEL PROT 82281.....1 <i>to SN 4591 (top clear protection for the platform box decal)</i> | 1 |
| -- | 1256331GT | INSTRUCTIONS,INSTALL,PLAT,WORD | | 17B | 1252716GT | DECAL, PROTECTIVE CONVER, Z80....1 <i>from SN 4592</i> | 1 |
| C | 1256327GT | DECAL KIT,Z80,PLAT,WORD,ANSI/AUS ANSI / AUS from 801 to 2448 | | 18 | 82410GT | DECAL,WARNING,PANEL CRADLE.....2 <i>Option, panel cradle</i> | 2 |
| -- | 1256331GT | INSTRUCTIONS,INSTALL,PLAT,WORD | | 19 | 82422GT | DECAL,PATCH,DRIVING LIGHT.....1 <i>Option, Worklights</i> | 1 |
| D | 824301GT | DECAL KIT,Z80 PLAT,WORD,ANSI/AUS ANSI AUS models from 2449 | | 20 | 82862GT | DECAL,FIRE EXTINGUISHER.....1 <i>Option, welder</i> | 1 |
| -- | 824305GT | INSTRUCTIONS, INSTALL,PLAT,WORD | | 21 | 97579GT | DECAL,DANGER,TIP-OVER,WELDER**..1 <i>Option, welder</i> | 1 |
| 1 | 28165GT | DECAL,INSTRUCT,FOOTSWITCH OPER.....1 | 1 | 22 | 97815GT | DECAL,LABEL,LOWER MIDRAIL.....1 | 1 |
| 2 | 28174GT | DECAL, POWER TO PLATFORM 230V**.....1 | 1 | 23 | 97875GT | DECAL,WARN.WELD LINE INST.WORD.....1 <i>Option, weld cable line</i> | 1 |
| 3 | 28176GT | DECAL,LABEL,MANUAL NOT HERE.....1 | 1 | 24 | 97887GT | DECAL,INSTR,MAX SIDE FRC,ANSI....1 <i>(ANSI/CSA)</i> | 1 |
| 4 | 28177GT | DECAL,WARN,CRUSH HAZARD PLAT.....2 | 2 | 25A | 97890GT | DECAL,DANGER,GEN SAFETY RULES.....1 <i>from SN 101 to 2448</i> | 1 |
| 5 | 28235GT | DECAL,POWER TO PLATFORM 115V...1 | 1 | 25B | 114389GT | DECAL,DANGER,GENERAL SAFETY....1 <i>from SN 2449</i> | 1 |
| 6 | 28236GT | DECAL,WARN,IMPROPER OPERATION.....1 | 1 | 26 | 226518GT | DECAL,INST,OPER INST,Z80,AUS.....1 AUS | 1 |
| 7 | 30080GT | DECAL,NOTICE,MAX LOAD 500 LBS....1 | 1 | 27 | T112773GT | TAPE, PROTECTIVE MASK.....2 <i>from SN 2992</i> | 2 |
| 8A | 33952GT | DECAL,DANGER,TILT ALARM.....1 <i>to SN 2448</i> | 1 | | | | |
| 8B | 133236GT | DECAL,DANGER,TIPOVER,TILT 135*....1 <i>from SN 2449</i> | 1 | | | | |
| 9 | 40434GT | DECAL,LANYARD ANCHORAGE POINT.....8 | 8 | | | | |
| 10 | 44981GT | DECAL,LABEL, AIR LINE 110 PSI.....1 <i>Option, airline to platform</i> | 1 | | | | |
| 11 | 44986GT | DECAL,INSTR,SIDE FRC/WIND,AUS....1 <i>(AUS)</i> | 1 | | | | |
| 12A | 46468GT | DECAL,FUNCTION OVERRIDE.....1 <i>Option, aircraft protection from SN 2463 to SN 5513</i> | 1 | | | | |
| 12B | 133163GT | DECAL,FUNCTION OVERRIDE.....1 <i>Option, aircraft protection from SN 551</i> | 1 | | | | |
| 13A | 65269GT | DECAL,NOTICE,OPERATING INST.....1 <i>ANSI to SN 800</i> | 1 | | | | |
| 13B | 1000238GT | DECAL,NOTICE,OPERATING INST.....1 <i>ANSI from SN 801</i> | 1 | | | | |
| 14 | 72875GT | DECAL,WARNING,PIPE CRADLE,BOOM.....2 <i>Option, pipe cradle</i> | 2 | | | | |
| 15 | 82237GT | DECAL,DANGER,HIGH VOLTAGE.....2 <i>Option, welder</i> | 2 | | | | |
| 16A | 82281GT | DECAL,PLAT CONTROL PANEL,Z80....1 <i>to SN 4591</i> | 1 | | | | |

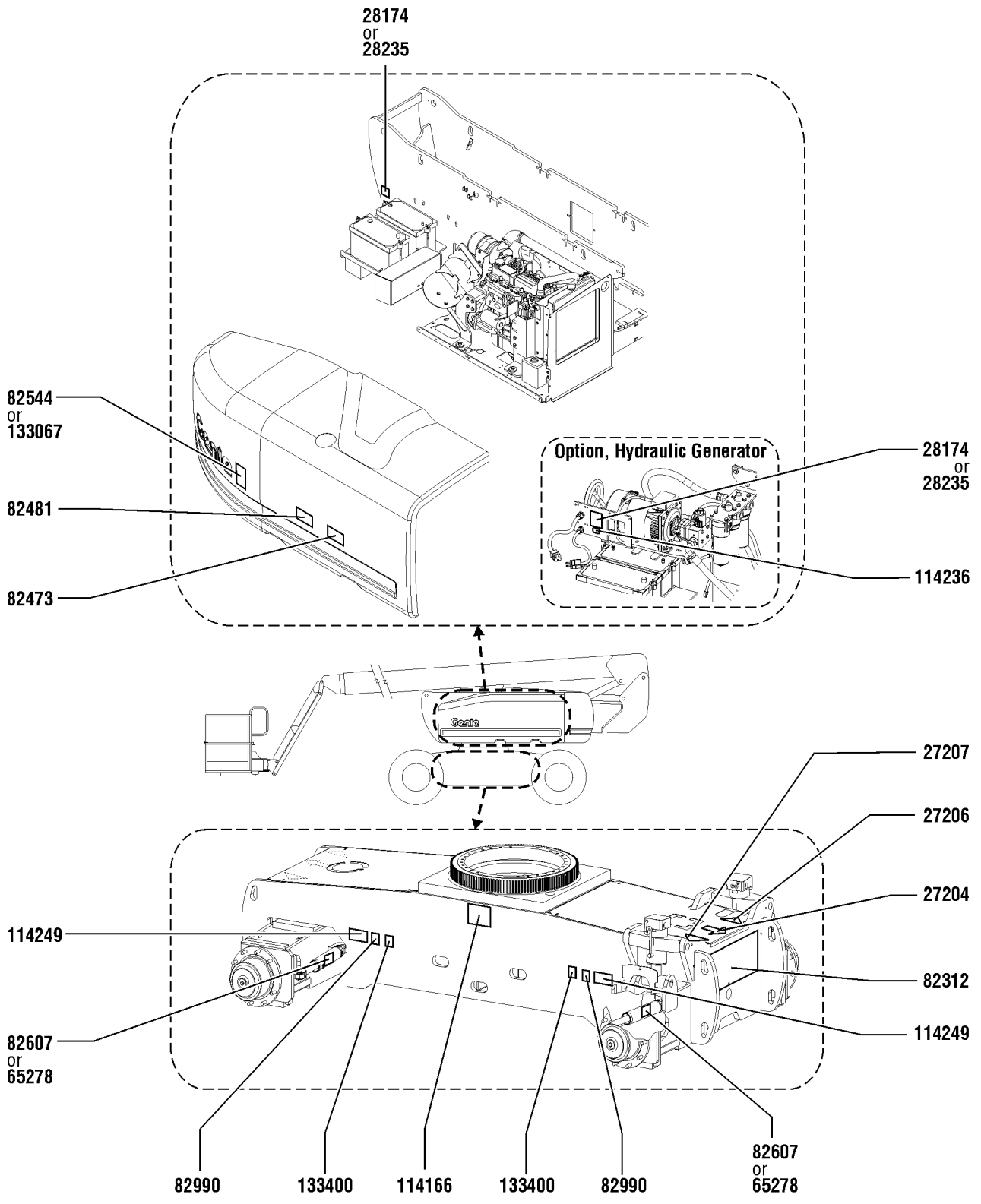
105.1 Decals with Symbols, Hydraulic Tank Side / Non-Steer End



105.1 Decals with Symbols, Hydraulic Tank Side / Non-Steer End

| Item | Part No. | Description | Qty. | Item | Part No. | Description | Qty. |
|------|-----------|---|------|------|-----------|---|------|
| A | | Decal Kits are model, option or configuration specific. Refer to the kit instructions for proper configuration. | | 13A | 82269GT | DECAL,GROUND CONTROL PANEL,Z80.....1 <i>to SN 3910</i> | 1 |
| B | 1256337GT | DECAL KIT,Z80,COMP,SYM,ANSI <i>ANSI models from 801 to 2448</i> | | 13B | 230986GT | DECAL, GROUND CONTROL Z80.....1 <i>from SN 3911</i> | 1 |
| -- | 1256341GT | INSTRUCTIONS,INSTALL,COMP,SYM | | 13C | 230987GT | DECAL, SERVICE RECOVERY SWITCH.....1 <i>from SN 3911</i> | 1 |
| C | 824373GT | DECAL KIT,Z80 COMP,SYM,ANSI <i>ANSI models from SN 2449 to 3910</i> | | 14A | 82544GT | DECAL,DANGER,ELEC.HAZ.STAY CLR.....1 <i>to SN 2448</i> | 1 |
| -- | 824386GT | INSTRUCTIONS, INSTALL (824373) | | 14B | 133067GT | DECAL,DANGER,ELEC.HAZ.STAY CLR.....1 <i>from SN 2449</i> | 1 |
| D | 824378GT | DECAL KIT,Z80 COMP,SYM,ANSI <i>ANSI models from SN 3911 to 4092</i> | | 15A | 82607GT | DECAL,CAUTION,NO STEP***.....2 <i>to SN 2448</i> | 2 |
| -- | 824390GT | INSTRUCTIONS, INSTALL (824378) | | 15B | 65278GT | DECAL,CAUTION,NO STEP.....2 <i>from SN 2449</i> | 2 |
| E | 824382GT | DECAL KIT,Z80 COMP,SYM,ANSI <i>ANSI models from SN 4093</i> | | 16 | 82487GT | DECAL, SYMBOL - READ THE MANUAL.....1 | 1 |
| -- | 824394GT | INSTRUCTIONS, INSTALL (824382) | | 17 | 82671GT | DECAL,LABEL,WELD LINE INST,SYM...1 <i>Option, weld cable</i> | 1 |
| F | 1256339GT | DECAL KIT,Z80,COMP,SYM,CE <i>CE models from 801 to 2448</i> | | 18 | 82924GT | DECAL,CAUTION,SHUTOFF VALVES**.....1 <i>to SN 2448</i> | 1 |
| -- | 1256341GT | INSTRUCTIONS,INSTALL,COMP,SYM | | 19 | 82990GT | DECAL,LABEL,TIRE PRESS,HIFLOAT...2 <i>(hi-floatation)</i> | 2 |
| G | 824375GT | DECAL KIT,Z80 COMP,SYM,CE <i>CE models from 2449 to 3910</i> | | 20 | 114166GT | DECAL,LABEL,TRANSPORT DIAGRAM.....1 | 1 |
| -- | 824338GT | INSTRUCTIONS, INSTALL (824375) | | 21 | 114249GT | DECAL,LABEL,TIPOVER,TIRES,SYMB.2 <i>from SN 2449</i> | 2 |
| H | 824380GT | DECAL KIT,Z80 COMP,SYM,CE <i>CE models from SN 3911 to 4092</i> | | 22 | 114251GT | DECAL,LABEL,NO SMOKING,SYMB.....1 | 1 |
| -- | 824392GT | INSTRUCTIONS, INSTALL (824380) | | 23 | 133400GT | DECAL,LABEL,WHEEL LOAD Z80***.....2 | 2 |
| K | 824384GT | DECAL KIT,Z80 COMP,SYM,CE <i>CE models from SN 4093</i> | | 24 | 1272242GT | DECAL,MACHINE REGISTRATION/OWNER TRANSFER....1 | 1 |
| -- | 824396GT | INSTRUCTIONS, INSTALL (824384) | | | | | |
| 1 | 27205GT | DECAL,ARROW YELLOW LRG 9".....1 | 1 | | | | |
| 2 | 27206GT | DECAL,TRIANGLE,BLUE.....1 | 1 | | | | |
| 3 | 27207GT | DECAL,TRIANGLE,YELLOW.....1 | 1 | | | | |
| 4 | 28158GT | DECAL,LABEL,UNLEADED GAS ONLY.....1 <i>Option, fuel</i> | 1 | | | | |
| 5 | 28159GT | DECAL,DIESEL.....1 <i>Option, fuel</i> | 1 | | | | |
| 6 | 28160GT | DECAL,LABEL,LIQUID PROPANE.....1 <i>Option, LPG Tank</i> | 1 | | | | |
| 7 | 28174GT | DECAL, POWER TO PLATFORM 230V**.....1 | 1 | | | | |
| 8 | 28235GT | DECAL,POWER TO PLATFORM 115V...1 | 1 | | | | |
| 9 | 44981GT | DECAL,LABEL, AIR LINE 110 PSI.....1 <i>Option, airline to platform</i> | 1 | | | | |
| 10 | 52966GT | DECAL,COSMETIC,4 X 2.....1 <i>Option, drive</i> | 1 | | | | |
| 11 | 52967GT | DECAL,COSMETIC,4 X 4.....1 <i>Option, drive</i> | 1 | | | | |
| 12A | 82246GT | DECAL,LABEL,113 DB***.....1 <i>(CE Only) to SN 2510</i> | 1 | | | | |
| 12B | 133411GT | DECAL,LABEL,106 DB***.....1 <i>(CE Only) from SN 2511</i> | 1 | | | | |

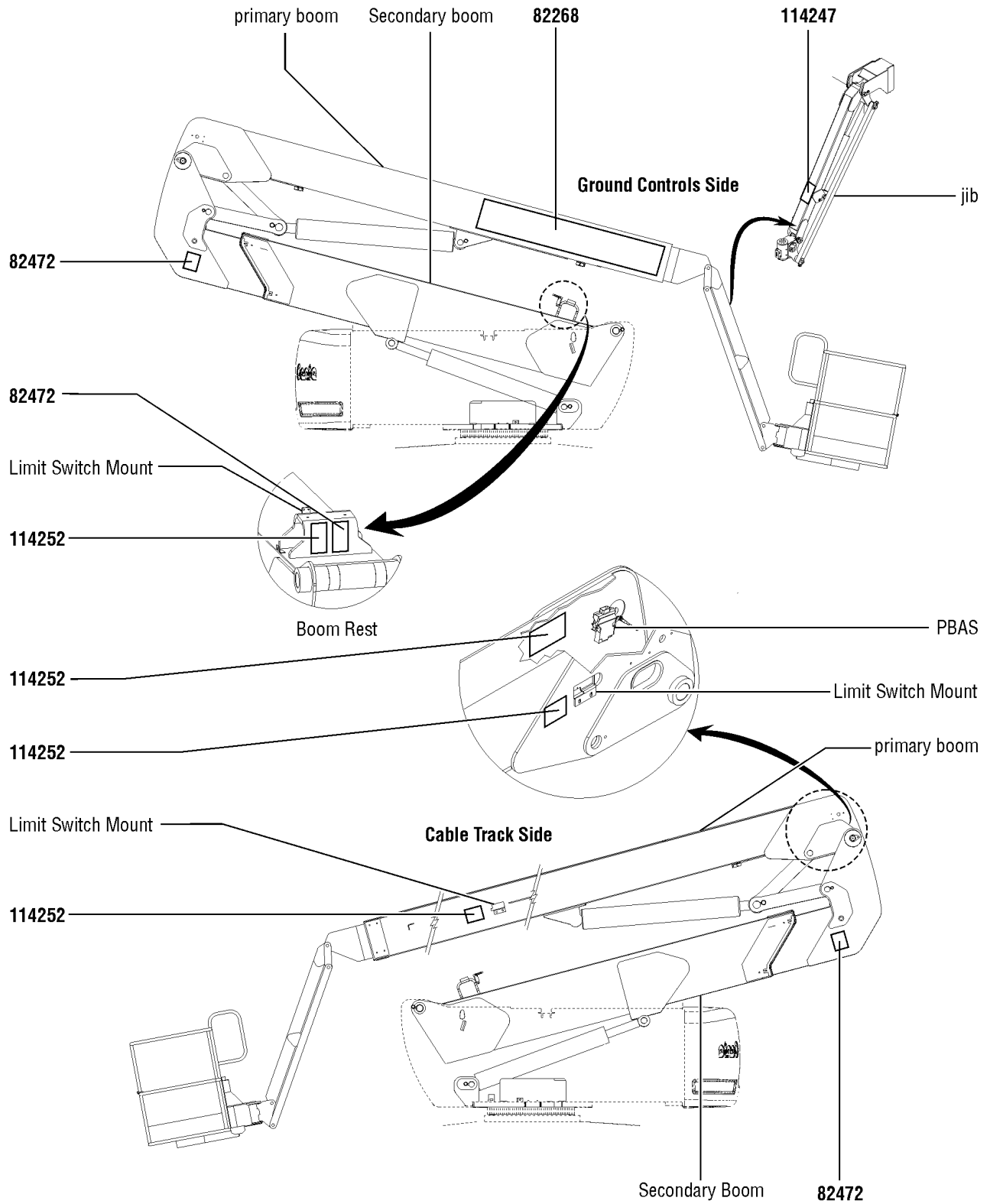
106.1 Decals with Symbols, Engine Side / Steer End



106.1 Decals with Symbols, Engine Side / Steer End

| Item | Part No. | Description | Qty. |
|------|----------|--|-------------------|
| 1 | 27204GT | DECAL,ARROW BLUE..... | 1 |
| 2 | 27206GT | DECAL,TRIANGLE,BLUE..... | 1 |
| 3 | 27207GT | DECAL,TRIANGLE,YELLOW..... | 1 |
| 4 | 28174GT | DECAL, POWER TO PLATFORM 230V**..... | 1 Option |
| 5 | 28235GT | DECAL,POWER TO PLATFORM 115V... Option | 1 |
| 6 | 82312GT | DECAL,COSMETIC,Z80..... | 1 |
| 7 | 82473GT | DECAL,SYMBOL-COMP ACCESS..... | 1 |
| 8 | 82481GT | DECAL,SYMBOL-BATTERY SAFETY..... from SN 2449 | 1 |
| 9A | 82544GT | DECAL,DANGER,ELEC.HAZ.STAY CLR..... | 1 to SN 2448 |
| 9B | 133067GT | DECAL,DANGER,ELEC.HAZ.STAY CLR..... | 1 from SN 2449 |
| 10A | 82607GT | DECAL,CAUTION,NO STEP***..... | 2 to SN 2448 |
| 10B | 65278GT | DECAL,CAUTION,NO STEP..... | 2 from SN 2449 |
| 11 | 82990GT | DECAL,LABEL,TIRE PRESS,HIFLOAT... (hi-floatation) | 2 |
| 12 | 114166GT | DECAL,LABEL,TRANSPORT DIAGRAM..... | 1 |
| 13 | 114236GT | DECAL,LABEL,CB SYMBOL..... (MTE generator option) | 1 |
| 14 | 114249GT | DECAL,LABEL,TIPOVER,TIRES,SYMB.2 from SN 2449 | 2 |
| 15 | 133400GT | DECAL,LABEL,WHEEL LOAD Z80*** | 2 |

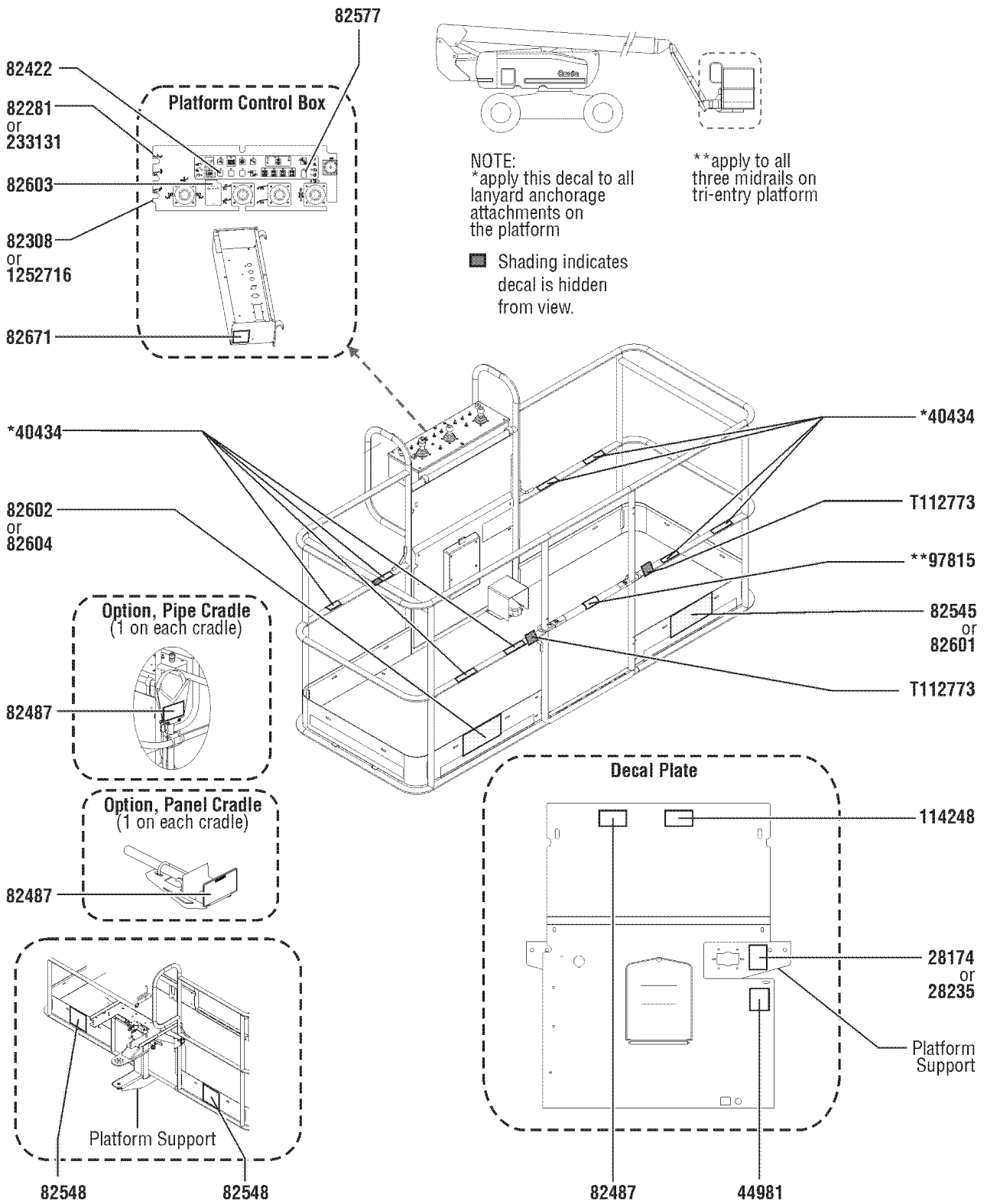
107.1 Decals with Symbols, Booms



107.1 Decals with Symbols, Booms

| Item | Part No. | Description | Qty. |
|------|----------|--|------|
| 1 | 82268GT | DECAL,COSMETIC,GENIE Z-80/60..... | 1 |
| 2 | 82472GT | DECAL,WARNING,CRUSHING HAZARD..... | 3 |
| 3 | 114247GT | DECAL,LABEL,FALL HAZARD***..... | 1 |
| 4 | 114252GT | DECAL,LABEL,TIP OVER LMT SWTCH..... | 4 |

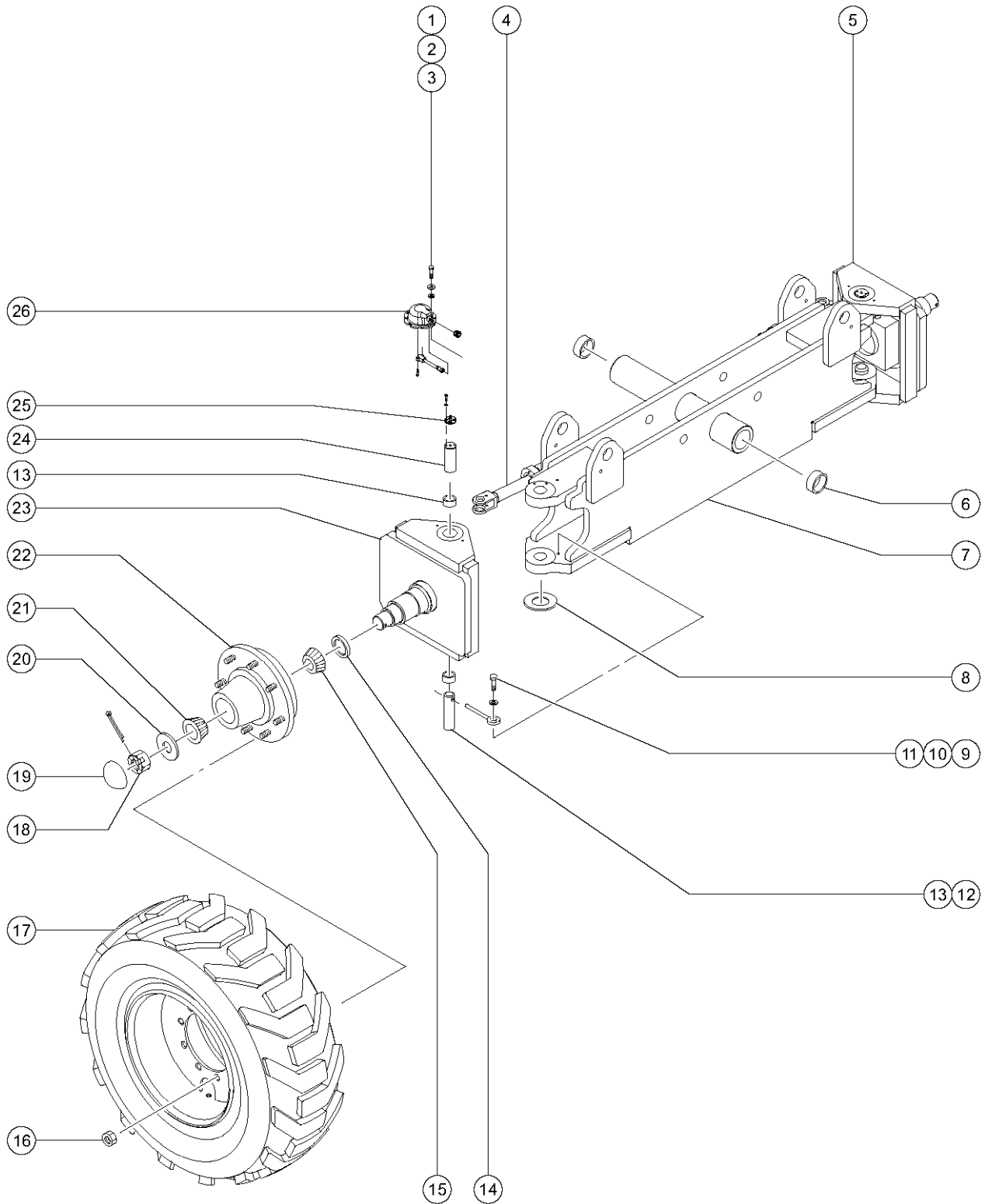
108.1 Decals with Symbols, Platform



108.1 Decals with Symbols, Platform

| Item | Part No. | Description | Qty. | Item | Part No. | Description | Qty. |
|------|-----------|---|------|------|-----------|---|------|
| A | | Decal Kits are model, option or configuration specific. Refer to the kit instructions for proper configuration. | | 11 | 82577GT | DECAL,PLATFORM OVERLOAD PATCH.....1 <i>(CE) option</i> | 1 |
| B | 1256336GT | DECAL KIT,Z80,PLAT,SYM,ANSI/CE <i>ANSI / CE models from 101 to 2448</i> | | 12 | 82602GT | DECAL,DANGER,MAX SIDE FRC,667N.....1 <i>ANSI</i> | 1 |
| -- | 1256340GT | INSTRUCTIONS,INSTALL,PLAT,SYM | | 13 | 82603GT | DECAL,DRIVE ENABLE PATCH***.....1 | 1 |
| C | 824372GT | DECAL KIT,Z80 PLAT,SYM,ANSI <i>ANSI models from SN 2449 to 3910</i> | | 14 | 82604GT | DECAL,DANGER,SIDE FRC 400N.....1 <i>CE</i> | 1 |
| -- | 824385GT | INSTRUCTIONS, INSTALL (824372) | | 15 | 82671GT | DECAL,LABEL,WELD LINE INST,SYM...1 <i>Option, weld cable</i> | 1 |
| D | 824377GT | DECAL KIT,Z80 PLAT,SYM,ANSI <i>ANSI models from SN 3911 to 4092</i> | | 16 | 97815GT | DECAL,LABEL,LOWER MIDRAIL.....1 | 1 |
| -- | 824389GT | INSTRUCTIONS, INSTALL (824389) | | 17 | 114248GT | DECAL,LABEL,TIPOVER,TILT AL SY.....1 <i>from SN 2449</i> | 1 |
| E | 824374GT | DECAL KIT,Z80 PLAT,SYM,CE <i>CE models from 2449 to 3910</i> | | 18 | T112773GT | TAPE, PROTECTIVE MASK.....2 <i>from SN 2992</i> | 2 |
| -- | 824387GT | INSTRUCTIONS, INSTALL (824374) | | | | | |
| F | 824379GT | DECAL KIT,Z80 PLAT,SYM,CE <i>CE models from SN 3911 to 4092</i> | | | | | |
| -- | 824391GT | INSTRUCTIONS, INSTALL (824379) | | | | | |
| G | 824381GT | DECAL KIT,Z80 PLAT,SYMBOL,ANSI/CE <i>ANSI / CE models from 4093</i> | | | | | |
| -- | 824393GT | INSTRUCTIONS, INSTALL,PLAT,SYM | | | | | |
| 1 | 28174GT | DECAL, POWER TO PLATFORM 230V**.....1 | 1 | | | | |
| 2 | 28235GT | DECAL,POWER TO PLATFORM 115V...1 | 1 | | | | |
| 3 | 40434GT | DECAL,LANYARD ANCHORAGE POINT.....8 | 8 | | | | |
| 4 | 44981GT | DECAL,LABEL, AIR LINE 110 PSI.....1 <i>Option, airline to platform</i> | 1 | | | | |
| 5A | 82281GT | DECAL,PLAT CONTROL PANEL,Z80.....1 <i>to SN 4591</i> | 1 | | | | |
| 5B | 233131GT | DECAL, PLATFORM CONTROL PANEL.....1 <i>from SN 4592</i> | 1 | | | | |
| 6A | 82308GT | DECAL,CONTROL PANEL PROT 82281.....1 <i>top clear protection for the platform box decal, to SN 4591</i> | 1 | | | | |
| 6B | 1252716GT | DECAL, PROTECTIVE CONVER, Z80...1 <i>from SN 4592</i> | 1 | | | | |
| 7 | 82422GT | DECAL,PATCH,DRIVING LIGHT.....1 <i>Option, worklights</i> | 1 | | | | |
| 8 | 82487GT | DECAL, SYMBOL - READ THE MANUAL.....1 | 1 | | | | |
| 9A | 82545GT | DECAL,DANGER,MAX LOAD 227 KG**.....1 <i>to SN 2448</i> | 1 | | | | |
| 9B | 82601GT | DECAL,LABEL,MAX CAPACITY***.....1 <i>from SN 2449</i> | 1 | | | | |
| 10 | 82548GT | DECAL,WARN,CRUSH HAZARD PLAT.....2 | 2 | | | | |

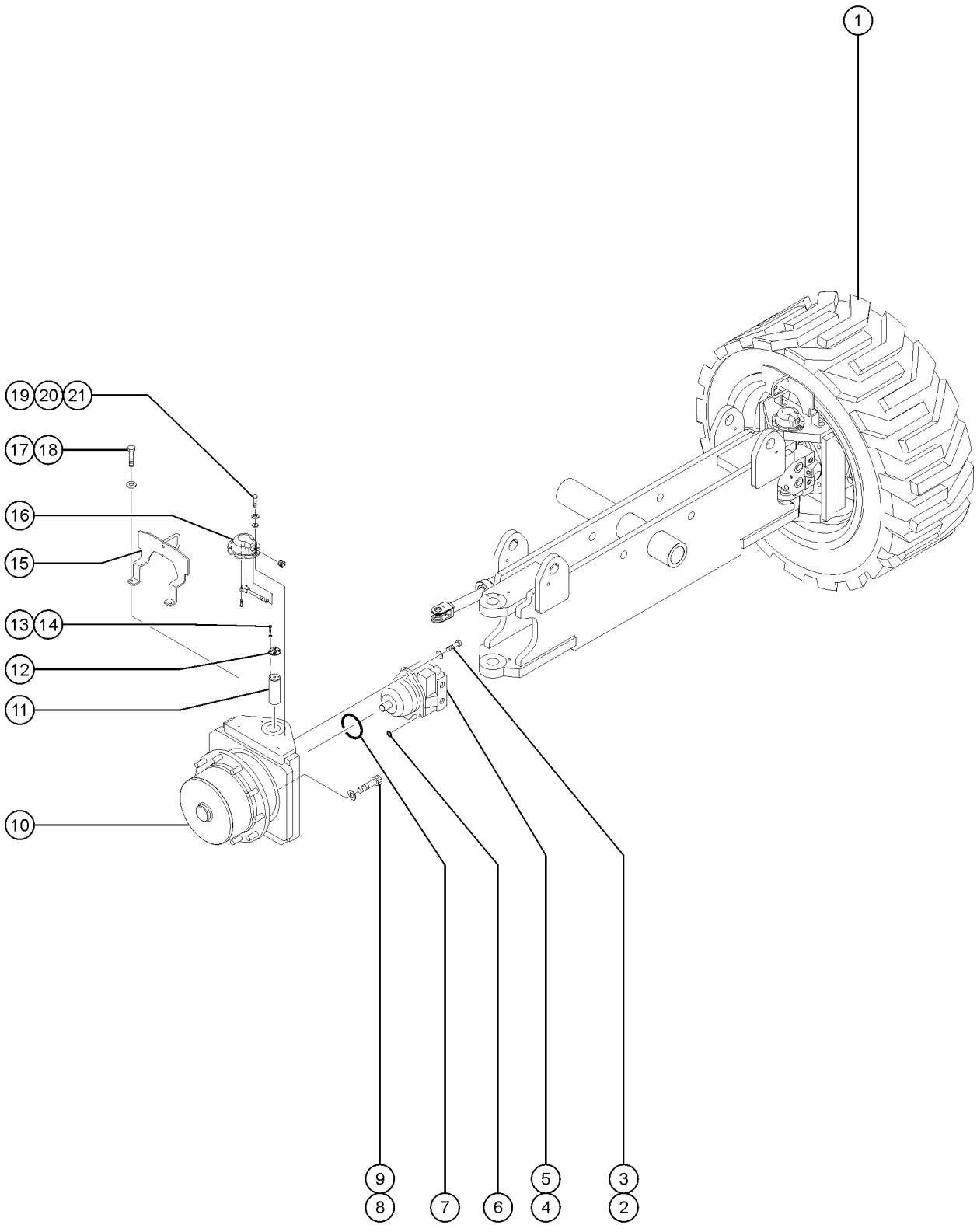
201.1 2WD Steer Axle Linkage



201.1 2WD Steer Axle Linkage

| Item | Part No. | Description | Qty. | Item | Part No. | Description | Qty. |
|------|-----------|---|------|------|--------------|--------------------------------|------|
| 1 | 824078GT | SCREW,HHF,1/4-20X.75,8,ZAG..... | 4 | -- | 49817GT | SCREW,PHILLIPS,PHM,10-32 X1.25 | |
| 2 | 6356GT | WASHER,LOCK,.25..... | 4 | -- | 60440GT | CONN,RECEP 3 WAY, 14-18GA | |
| 3 | 824113GT | WASHER,FLAT,USS,1/4,ZAG..... | 4 | -- | 60441GT | LOCK,RECEP 3 WAY,14-18GA | |
| 4 | 59370GT | CYLINDER,STEER..... | 2 | -- | 60609GT | COVER,STEERING SENSOR | |
| -- | 88349GT | SEAL KIT,STEER CYL*** | | -- | 60746GT | BUSHING, STRAIN RELIEF, 1" | |
| 5 | 88226GT | SPINDLE,STEER YOKE LH,2WD..... | 1 | -- | 73713GT | TERM,NI PIN,S&F,16-18GA,REEL | |
| -- | 25817GT | BEARING,1.00IDX1.25ODX1.00L | | -- | 75631-3700GT | HOSE,AIR 3/8 | |
| 6 | 27698GT | BEARING,2.50IDX2.75ODX2.00L..... | 2 | -- | 75632-300GT | TUBING,HEAT SHRINK THICK .75 | |
| 7 | 82908GT | FRONT STEER AXLE ASSY. Z80..... | 1 | | | | |
| -- | 119620GT | BEARING,1.75IDX2.00ODX1.50L | | | | | |
| 8 | 60555GT | WASHER,THRUST 5 X 1.81 BRONZE | | | | | |
| 9 | 1256857GT | SCREW,HHF,3/8-16X.625,8,ZAG | | | | | |
| 10 | 6021GT | WASHER,LOCK,.375 | | | | | |
| 11 | 825019GT | ROD END,.375X3.69,ZAG..... | 2 | | | | |
| 12 | 30199GT | PIN,1.75 DIA X 4.50LG,THREADED..... | 2 | | | | |
| 13 | 119620GT | BEARING,1.75IDX2.00ODX1.50L..... | 4 | | | | |
| 14 | 94794GT | SEAL,GREASE..... | 2 | | | | |
| 15 | 94793GT | BEARING,INNER CONE..... | 2 | | | | |
| 16 | 1259931GT | NUT,LUG,3/4-16 X 7/8 RADIUS,ZA..... | 44 | | | | |
| 17 | | Ref. Wheel and Tire Assembly (refer to 202.1) | | | | | |
| 18 | 34627GT | NUT,SPINDLE,2.00-12..... | 1 | | | | |
| -- | 34628GT | PIN,COTTER,.375 X 3.5 | | | | | |
| 19 | 94795GT | CAP,DUST..... | 2 | | | | |
| 20 | 34626GT | WASHER,FLAT,2.0 X 4.5 X .25 | | | | | |
| 21 | 94796GT | BEARING,OUTER CONE..... | 2 | | | | |
| 22 | 94789GT | HUB ASSY W/RACES..... | 2 | | | | |
| -- | 1269593GT | SCREW,SHC,M16-2.0X55,DIN912,12.9,ZAB.48 | | | | | |
| -- | 73076GT | HUB RACE,INNER | | | | | |
| -- | 94791GT | HUB RACE,OUTER | | | | | |
| -- | 94792GT | STUD,WHEEL,3/4-16 | | | | | |
| 23 | 88225GT | SPINDLE,STEER YOKE RH,2WD..... | 1 | | | | |
| | | <i>bearings included</i> | | | | | |
| -- | 25817GT | BEARING,1.00IDX1.25ODX1.00L | | | | | |
| 24 | 88066GT | PIN,1.75" OD X 4.25..... | 2 | | | | |
| | | <i>to SN 3225</i> | | | | | |
| -- | 229398GT | PIN,1.75DIA X 4.0LG <i>from SN 3226</i> | | | | | |
| 25 | 60618GT | ACTIVATOR,STEER SENSOR..... | 2 | | | | |
| -- | 60747GT | SHIM,STEER SENSOR ACTIVATOR | | | | | |
| 26 | 107864GT | KIT,SERVICE,STEER SENSOR,Z80..... | 1 | | | | |
| | | <i>complete, (calibration required after replacement)</i> | | | | | |
| -- | 107862GT | KIT,SERVICE,STEER SENSOR <i>(calibration required after replacement)</i> | | | | | |

202.1 4WD Steer Axle Linkage (to SN 3225)



202.1 4WD Steer Axle Linkage (to SN 3225)

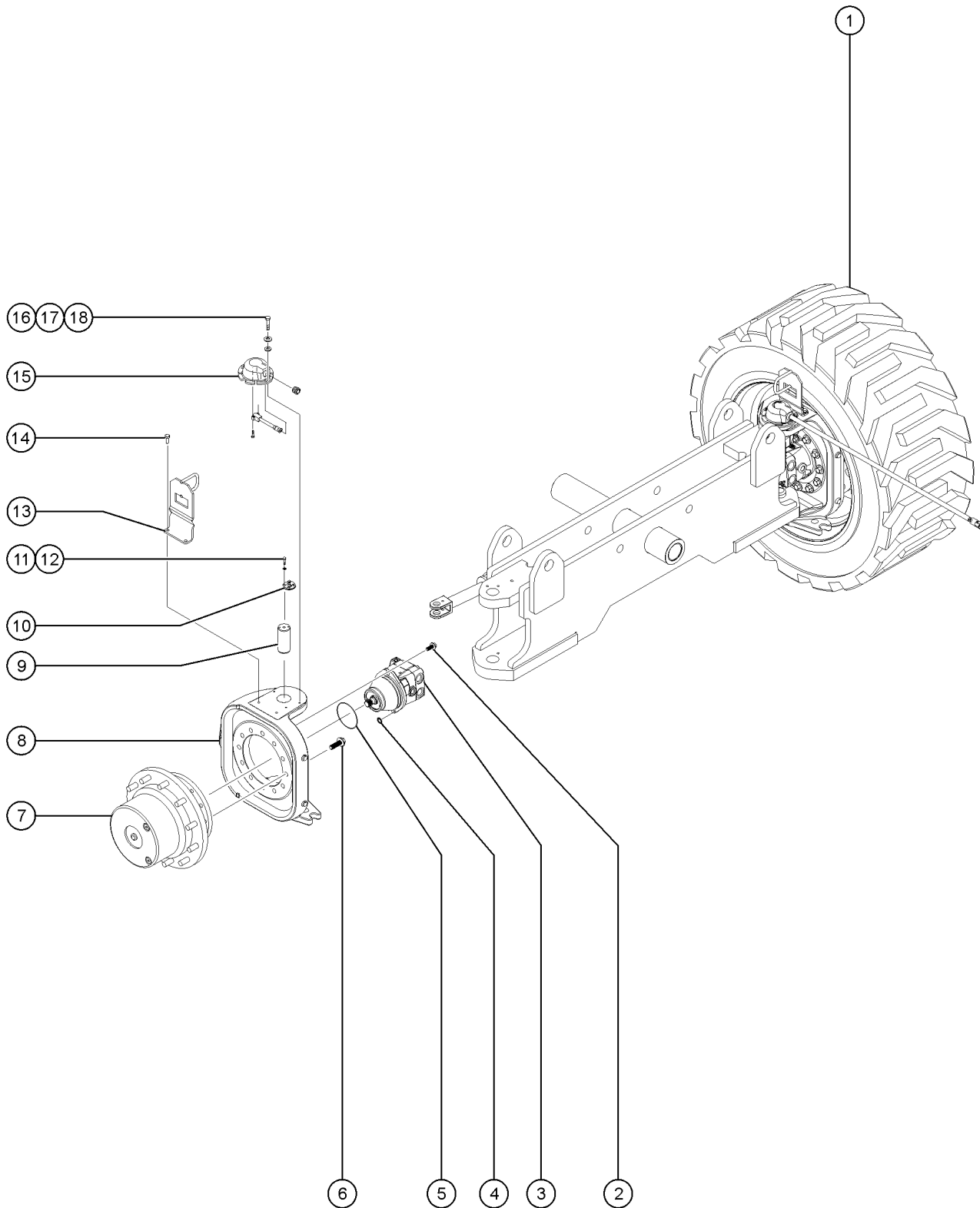
| Item | Part No. | Description | Qty. | Item | Part No. | Description | Qty. |
|------|----------|---|------|------|-----------|---|------|
| 1A | 88258GT | TIRE & WHEEL ASSY,FOAM RH, Z80....2 <i>RT, Foam-filled, right</i> | | 4B | 101070GT | MOTOR,PISTON,2 SPEED,45CC.....2 <i>from SN 958</i> | |
| -- | 88259GT | TIRE & WHEEL,ASSY,FOAM LH, Z80 <i>RT, Foam-filled, left</i> | | -- | 106098GT | SEAL KIT,MOTOR,LC/KC*** <i>from SN 958</i> | |
| 1B | 101945GT | TIRE & WHEEL ASSY,FOAM N-M RH <i>RT, Foam-filled, Non-marking, right</i> | | -- | 121668GT | MOTOR,PISTON,2 SPEED,45CC/18CC <i>(high flotation option); from SN 3156</i> | |
| -- | 101944GT | TIRE & WHEEL ASSY,FOAM N-M LH <i>RT, Foam-filled, Non-marking, left</i> | | 5 | 77527GT | O-RING, MOTOR,GREEN(81382).....2 <i>to SN 538</i> | |
| 1C | 227806GT | TIRE & WHEEL ASSY,FOAM RH,Z80 <i>RT, Foam-filled RNU, right</i> | | 6 | 102157GT | O-RING,.070 X .239,VITON 75D <i>from SN 539 to SN 957</i> | |
| -- | 227807GT | TIRE & WHEEL,ASSY,FOAM LH, Z80 <i>RT, Foam-filled RNU, left</i> | | -- | 106117GT | O-RING,2-010,VITON <i>from SN 958</i> | |
| 1D | 228800GT | TIRE & WHEEL ASSY,FOAM N-M LH <i>RT, Foam-filled RNU, Non-marking, left</i> | | 7 | 102555GT | O-RING,.103 X 3.737,VITON,75D <i>from SN 539 to SN 957</i> | |
| -- | 228801GT | TIRE & WHEEL ASSY,FOAM N-M RH <i>RT, Foam-filled RNU, Non-marking, right</i> | | -- | 106118GT | O-RING,2-157,VITON*** <i>from SN 958</i> | |
| 1E | 101769GT | ASSEMBLY,TIRE,445D50/710,RH <i>RT, Air-filled, Flotation, right; to SN 3155</i> | | 8 | 73455GT | SCREW,HHC,5/8-11 X 2.25 GR8.....16 <i>to SN 538</i> | |
| -- | 101011GT | WHEEL,28.00X15.00 <i>for 101769 and 101770 (10 holes wheel)</i> | | -- | 102790GT | SCREW,HHC,5/8-11 X 3.25 GRD 8 <i>from SN 539 to SN 957</i> | |
| -- | 101234GT | TIRE,445D50/710,18PR <i>for 101769 and 101770</i> | | -- | 111155GT | SCREW,FLANGE,HHC,5/8-11X2,GR8 <i>(high flotation option); from SN 3156</i> | |
| -- | 101770GT | ASSEMBLY,TIRE,445D50/710,LH <i>RT, Air-filled, Flotation, left; to SN 3155</i> | | -- | 81110GT | SCREW,HHC,5/8-11 X 2 GRD.8 <i>from SN 958</i> | |
| 1F | 227772GT | Z80 HF WHEEL ASSEMBLY,RH <i>RT, Air-filled, Flotation, right; from SN 3156 to 3225</i> | | 9 | 1256182GT | WASHER,FLAT,5/8,F436,HRD,ZAG.....16 <i>(machines from SN 101 to 270 are required to use two washers p/n 13064 per screw p/n 73455)</i> | |
| -- | 101234GT | TIRE,445D50/710,18PR <i>for 227772 and 227773</i> | | 10 | 81381GT | WHEEL DRIVE W/BRAKE,60.2:1.....2 <i>to SN 538</i> | |
| -- | 226562GT | Z80 HF WHEEL,28.00 X 15.00 <i>for 227772 and 227773 (11 holes wheel)</i> | | -- | 101284GT | WHEEL STUD, 3/4-16 X 60MM <i>to SN 538</i> | |
| -- | 227773GT | Z80 HF WHEEL ASSEMBLY,LH <i>RT, Air-filled, Flotation, left; from SN 3156 to 3225</i> | | -- | 102169GT | O-RING & SHAFT(81381) <i>to SN 538</i> | |
| 2 | 75101GT | SCREW,SHC,1/2-13 X 1.25,A574.....4 | | -- | 102170GT | O-RING, COVER (81381) <i>to SN 538</i> | |
| -- | 123164GT | SCREW,FLANGE,1/2-13X1.25,GR 8 <i>(high flotation option); from SN 3156</i> | | -- | 102491GT | O-RING, DISCONNECT ROD <i>to SN 538</i> | |
| 3 | 13066GT | WASHER,FLAT,5 HARDENED.....4 | | -- | 102492GT | O-RING, GEAR RING (81381) <i>to SN 538</i> | |
| 4 | 81382GT | MOTOR,PISTON,2 SPEED,45CC.....2 <i>to SN 538</i> | | -- | 102493GT | SEAL,SHAFT (81381) <i>to SN 538</i> | |
| -- | 77806GT | SEAL KIT,DRIVE MOTOR*** <i>to SN 538</i> | | -- | 102494GT | SPRING,DOWEL SLEEVE (81381) <i>to SN 538</i> | |
| 4A | 102777GT | MOTOR,PISTON,2SPD,45CC.....2 <i>from SN 539 to SN 957</i> | | -- | 58280GT | BOLT,SCREW,WHEEL DRIVE CAP <i>to SN 538</i> | |
| -- | 102155GT | BEARING,BALL DRIVE SHAFT <i>from SN 539 to SN 957</i> | | -- | 74439GT | COVER,DISCONNECT ROD* <i>to SN 538</i> | |
| -- | 102160GT | RING, RETAINING <i>from SN 539 to SN 957</i> | | -- | 77525GT | BRAKE DISC, KIT (81381) <i>to SN 538</i> | |
| -- | 27067GT | SEAL,SHAFT-SUNDSTRAND*** <i>from SN 539 to SN 957</i> | | -- | 77526GT | SEAL KIT, BRAKE (81381) <i>to SN 538</i> | |
| -- | 72883GT | SHAFT - OUTPUT (64290) <i>from SN 539 to SN 957</i> | | | | | |

202.1 4WD Steer Axle Linkage (to SN 3225)
(continued)

| Item | Part No. | Description | Qty. | Item | Part No. | Description | Qty. |
|------|----------|---|------|------|-----------|---|------|
| 10A | 102778GT | WHEEL DRIVE W/BRAKE,59.28:1.....2 <i>from SN 539 to SN 957</i> | | -- | 1111407GT | Brake Piston and Spring Kit <i>(2WD or high flotation option); from SN 869 to 3155</i> | |
| -- | 102535GT | KIT,BRAKE DISC (102778) <i>from SN 539 to SN 957</i> | | -- | 111158GT | KIT,CLOSING CAP <i>(2WD or high flotation option); from SN 869 to 3155</i> | |
| -- | 102536GT | KIT,O-RING (102778) <i>from SN 539 to SN 957</i> | | -- | 111403GT | KIT,CLOSING COVER (102719) <i>(2WD or high flotation option); from SN 869 to 3155</i> | |
| -- | 102557GT | SEAL KIT,WHEEL HUB (102778) <i>from SN 539 to SN 957</i> | | -- | 111404GT | KIT,PIN (102719) <i>(2WD or high flotation option); from SN 869 to 3155</i> | |
| -- | 102558GT | BEARING KIT,WHEEL HUB (102778) <i>from SN 539 to SN 957</i> | | -- | 111405GT | KIT,DISC BRAKE (102719) <i>(2WD or high flotation option); from SN 869 to 3155</i> | |
| -- | 22811GT | O-RING,MOTOR TO BRAKE*** <i>from SN 539 to SN 957</i> | | -- | 220254GT | STUD (102711) <i>(2WD or high flotation option); from SN 869 to 3155</i> | |
| -- | 33441GT | STUD,WHEEL,3/4-16, (34115) <i>from SN 539 to SN 957</i> | | 10E | 121291GT | WHEEL DRIVE,86.74:1*** <i>high flotation option (refer to 207.1); from SN 3156</i> | |
| -- | 58284GT | COVER PLATE,WHEEL DRIVE,HW3*** <i>from SN 539 to SN 957</i> | | 11 | 88066GT | PIN,1.75" OD X 4.25.....2 | |
| 10B | 111090GT | WHEEL DRIVE W/BRAKE,57.49:1.....2 <i>from SN 958</i> | | 12 | 60618GT | ACTIVATOR,STEER SENSOR.....2 | |
| -- | 106122GT | CAP,DISENGAGE,4HP/4HB*** <i>from SN 958</i> | | -- | 60747GT | SHIM,STEER SENSOR ACTIVATOR | |
| -- | 111361GT | SEAL KIT (111090) <i>from SN 958</i> | | 13 | 49819GT | SCREW,PHILLIPS,PHM,10-32 X .5 | |
| -- | 111362GT | BOLT,WHEEL DRIVE CAP(106122) <i>from SN 958</i> | | 14 | 6607GT | WASHER,LOCK,#10 PLTD | |
| -- | 111363GT | O-RING,DISCONNECT ROD (111060) <i>from SN 958</i> | | 15 | 146437GT | WELDMENT, GUIDE BRACKET.....2 | |
| -- | 146494GT | BEARING KIT <i>from SN 958</i> | | 16 | | Ref. Steer Sensor Assembly <i>(refer to 201.1)</i> | |
| -- | 146495GT | O-RING <i>from SN 958</i> | | 17 | 1256857GT | SCREW,HHF,3/8-16X.625,8,ZAG | |
| -- | 226213GT | END COVER,WHEEL DRIVE *** <i>includes O-ring part 226215; from SN 958</i> | | 18 | 6021GT | WASHER,LOCK,.375 | |
| -- | 226215GT | END COVER O-RING,WHEEL DRIVE <i>from SN 958</i> | | 19 | 824078GT | SCREW,HHF,1/4-20X.75,8,ZAG.....4 | |
| -- | 235153GT | PIPE PLUG, MAGN <i>for 226213</i> | | 20 | 6356GT | WASHER,LOCK,.25.....4 | |
| -- | 235155GT | RETAINING RING, OD 8.250 <i>LARGE SNAP RING FOR COVER</i> | | 21 | 824113GT | WASHER,FLAT,USS,1/4,ZAG.....4 | |
| -- | 237228GT | KIT,BRAKE PIST & SPRI (111090) | | | | | |
| -- | 33441GT | STUD,WHEEL,3/4-16, (34115) <i>from SN 958</i> | | | | | |
| 10C | 81383GT | WHEEL DRIVE,2WD 92.5:1.....2 <i>(2WD or high flotation option); to SN 868</i> | | | | | |
| -- | 101533GT | SEAL KIT (81383) <i>(2WD or high flotation option); to SN 868</i> | | | | | |
| -- | 101534GT | BRAKE DISC KIT (81383) <i>(2WD or high flotation option); to SN 868</i> | | | | | |
| 10D | 102719GT | WHEEL DRIVE W/BRAKE,91.97:1.....2 <i>(2WD or high flotation option); from SN 869 to 3155</i> | | | | | |

This Page Intentionally Left Blank

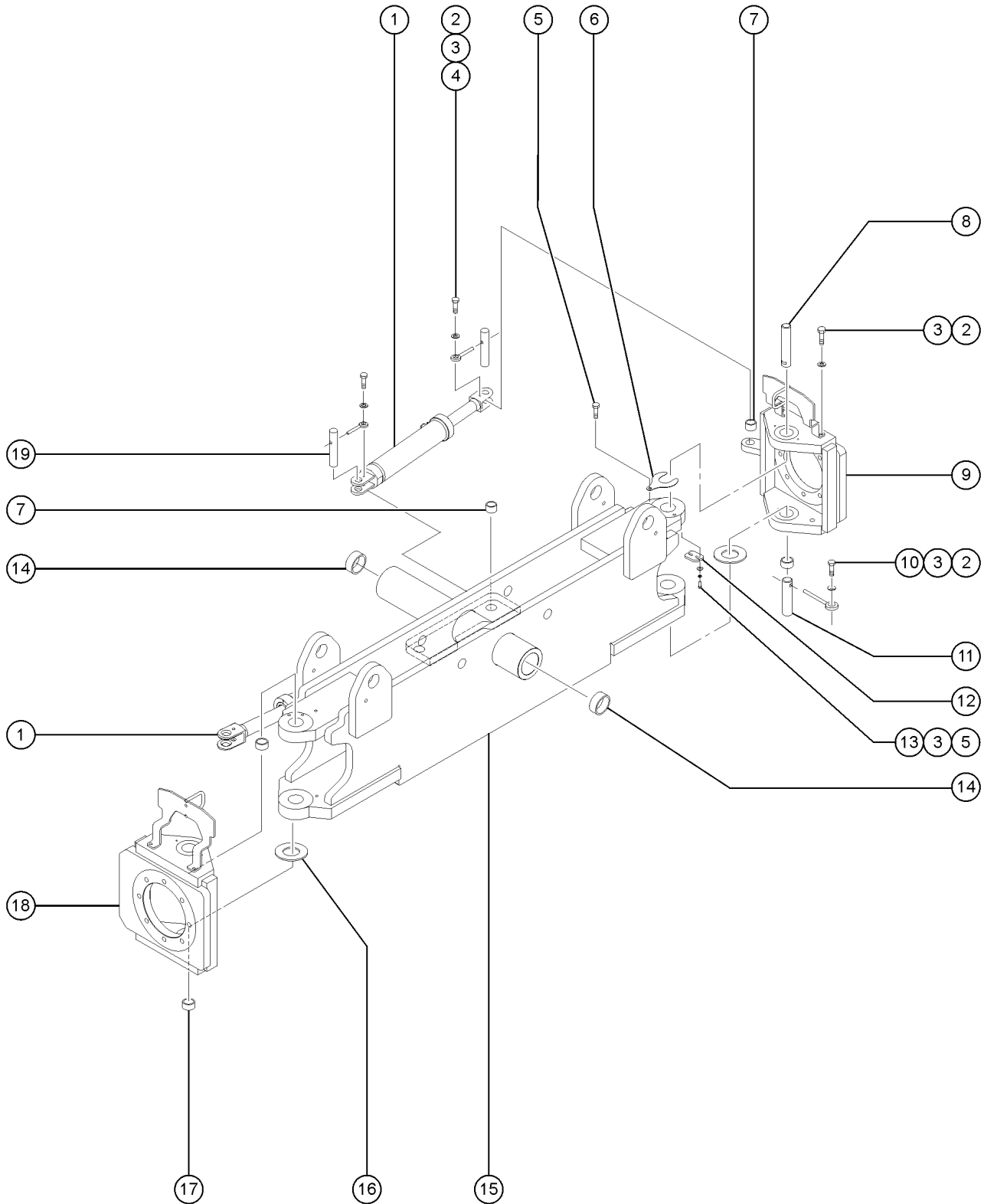
202.2 4WD Steer Axle Linkage (from SN 3226)



202.2 4WD Steer Axle Linkage (from SN 3226)

| Item | Part No. | Description | Qty. | Item | Part No. | Description | Qty. |
|------|-----------|---|------|------|-----------|--|------|
| 1A | 121286GT | TIRE & WHEEL ASSY,RT LP FOAM,L <i>RT, Foam-filled, left (11 holes)</i> | | -- | 1278064GT | KIT, BRAKE REPLACEMENT, OMNI VB11 <i>for 1278063 (includes brake pack, o-rings, 2 back up seals and snap ring)</i> | |
| -- | 121287GT | TIRE & WHEEL ASSY,RT LP FOAM,R <i>RT, Foam-filled, right (11 holes)</i> | | -- | 1278065GT | KIT, BEARING REPLACEMENT, OMNI VB11 <i>for 1278063 (includes both tapered roller bearings and bearing shims)</i> | |
| 1B | 121271GT | TIRE & WHEEL ASSY,FOAM NM,LH <i>RT, Foam-filled, Non-marking, left</i> | | -- | 1278066GT | KIT, OIL SEAL REPLACEMENT, OMNI VB11 <i>for 1278063 (includes cap seal, ring gear seal and dynamic ring to spindle oil seal)</i> | |
| -- | 121272GT | TIRE & WHEEL ASSY,FOAM NM,RH <i>RT, Foam-filled, Non-marking, right</i> | | -- | 1278067GT | KIT, WHEEL STUD REPLACEMENT, OMNI VB11 <i>for 1278063 (includes qty. 11 wheel studs)</i> | |
| 1C | 227804GT | TIRE & WHEEL ASSY,RT LP FOAM,L <i>RT, Low Profile, Foam-filled RNU, left</i> | | -- | 1278068GT | WHEEL STUD, OMNI VB11 <i>for 1278063 (single wheel stud)</i> | |
| -- | 227805GT | TIRE & WHEEL ASSY,RT LP FOAM,R <i>RT, Low Profile, Foam-filled RNU, right</i> | | 7C | 227776GT | WHEEL DRIVE W/BRAKE 86.74:1 <i>high flotation option (refer to 207.1)</i> | |
| 1D | 227985GT | TIRE & WHEEL ASSY,FOAM, NM,LH <i>RT, Foam-filled, Non-marking, RNU, left</i> | | -- | T111507GT | SEAL KIT (121291)*** <i>for 227776</i> | |
| -- | 228805GT | TIRE & WHEEL ASSY,FOAM NM,RH <i>RT, Foam-filled, Non-marking, RNU, right</i> | | 8 | | Ref. YOKE ASSEMBLY <i>(refer to 203.1)</i> | |
| 1E | 227772GT | Z80 HF WHEEL ASSEMBLY,RH <i>RT, Air-filled, Flotation, right</i> | | 9 | 229398GT | PIN,1.75DIA X 4.0LG | |
| -- | 101234GT | TIRE,445D50/710,18PR <i>for 227772, 227773</i> | | 10 | 60618GT | ACTIVATOR,STEER SENSOR.....2 | |
| -- | 226562GT | Z80 HF WHEEL,28.00 X 15.00 <i>for 227772, 227773</i> | | -- | 60747GT | SHIM,STEER SENSOR ACTIVATOR | |
| -- | 227773GT | Z80 HF WHEEL ASSEMBLY,LH <i>RT, Air-filled, Flotation, left</i> | | 11 | 49819GT | SCREW,PHILLIPS,PHM,10-32 X .5 | |
| 1F | 139828GT | TIRE WHEEL ASSY,LEFT,SOLID <i>RT, solid rubber, left</i> | | 12 | 6607GT | WASHER,LOCK,#10 PLTD | |
| -- | 139829GT | TIRE WHEEL ASSY,RIGHT,SOLID <i>RT, solid rubber, right</i> | | 13 | 121307GT | WELDMENT,GUIDE BRACKET,YOKE | |
| 2 | 824134GT | SCREW,HHF,M12-1.75X30,DIN6921,10.9,ZAB.4 | | 14 | 824089GT | SCREW,HHF,3/8-16X.75,8,ZAG.....6 | |
| -- | 106098GT | SEAL KIT,MOTOR,LC/KC*** <i>use with motor 101070</i> | | 15 | | Ref. Steer Sensor Assembly <i>(refer to 201.1)</i> | |
| 3A | 101070GT | MOTOR,PISTON,2 SPEED,45CC.....2 | | 16 | 824082GT | SCREW,HHF,1/4-20X1.75,8,ZAG.....4 | |
| 3B | 121668GT | MOTOR,PISTON,2 SPEED,45CC/18CC <i>(high flotation option)</i> | | 17 | 6356GT | WASHER,LOCK,.25.....4 | |
| 4 | 106117GT | O-RING,2-010,VITON | | 18 | 824113GT | WASHER,FLAT,USS,1/4,ZAG.....4 | |
| 5 | 106118GT | O-RING,2-157,VITON*** | | | | | |
| 6 | 227779GT | SCREW,HHF,M16-2.0X50 10.9.....24 | | | | | |
| 7A | 227775GT | WHEEL DRIVE,W/BRAKE 57.49:1.....4 <i>to SN 6528 (refer to 206.1)</i> | | | | | |
| -- | 1286604GT | SEAL KIT,WHEEL DRIVE W/BRAKE (227775) <i>for 227775</i> | | | | | |
| -- | 1286605GT | BEARING KIT,WHEEL DRIVE W/BRAKE (227775) <i>for 227775</i> | | | | | |
| -- | 215623GT | SEAL KIT (227775) <i>for 227775 (inventory limited to stock on hand as component is no longer available)</i> | | | | | |
| 7B | 1278063GT | WHEEL DRIVE,W/BRAKE, OMNI, 57.49:1.....4 <i>from SN 6529</i> | | | | | |

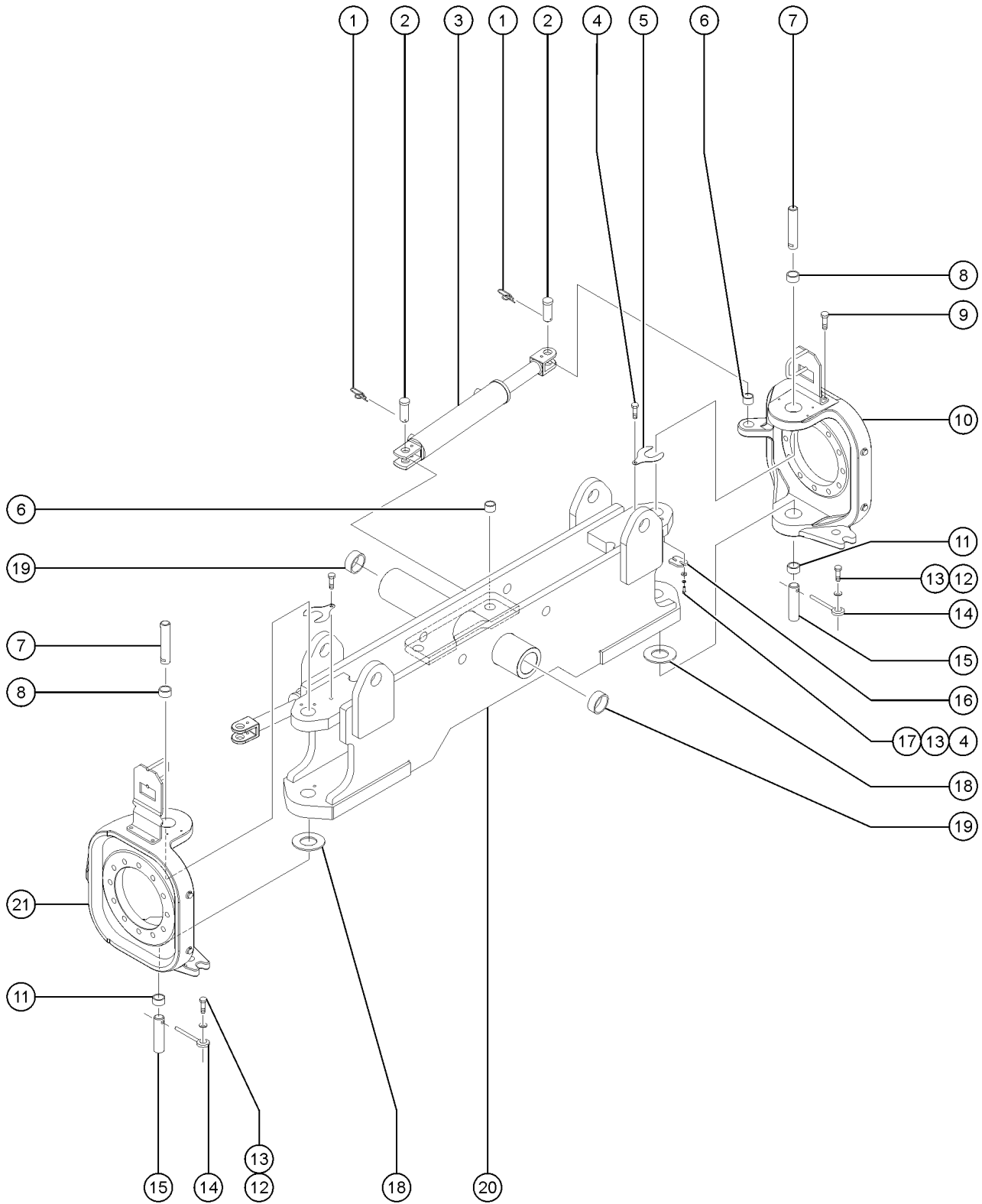
203.1 Front Steer Axle (to SN 3225)



203.1 Front Steer Axle (to SN 3225)

| Item | Part No. | Description | Qty. |
|------|-----------|--|------|
| 1 | 59370GT | CYLINDER,STEER..... | 2 |
| -- | 88349GT | SEAL KIT,STEER CYL*** | |
| 2 | 1256857GT | SCREW,HHF,3/8-16X.625,8,ZAG | |
| 3 | 6021GT | WASHER,LOCK, .375 | |
| 4 | 1255452GT | ROD END, .375 X 2.25,ZAG..... | 4 |
| 5 | 824090GT | SCREW,HHF,3/8-16X1,8,ZAG..... | 6 |
| 6 | 88241GT | SHIM,GALVANIZED STEER YOKE | |
| 7 | 25817GT | BEARING,1.00IDX1.25ODX1.00L..... | 4 |
| 8 | 88066GT | PIN,1.75" OD X 4.25..... | 2 |
| 9A | 81985-SGT | STEER YOKE,4WD,LF/RR,ASSEMBLY..... | 1 |
| | | <i>includes items 7 and 17, to SN 2508</i> | |
| -- | 146411GT | Z80 STEER YOKE, LF/RR ASSY. <i>includes items 7 and 17, from SN 2509</i> | |
| -- | 233112GT | Z80 STEER YOKE, LF/RR ASSY. <i>Hi-Flotation option, includes items 7 and 17, from SN 3156</i> | |
| 10 | 825019GT | ROD END, .375X3.69,ZAG..... | 2 |
| 11 | 30199GT | PIN,1.75 DIA X 4.50LG,THREADED..... | 2 |
| 12 | 88069GT | PLATE,KING PIN RETAINER *..... | 2 |
| 13 | 6097GT | WASHER,FLAT,USS,3/8",Y | |
| 14 | 27698GT | BEARING,2.50IDX2.75ODX2.00L..... | 2 |
| 15 | 82908GT | FRONT STEER AXLE ASSY. Z80..... | 1 |
| | | <i>includes items 14, to SN 2508</i> | |
| -- | 146262GT | FRONT STEER AXLE ASSY. Z80 <i>includes items 14, from SN 2509</i> | |
| 16 | 60555GT | WASHER,THRUST 5 X 1.81 BRONZE | |
| 17 | 119620GT | BEARING,1.75IDX2.00ODX1.50L..... | 4 |
| 18A | 81983-SGT | STEER YOKE,4WD,RF/LR,ASSEMBLY..... | 1 |
| | | <i>includes items 7 and 17, to SN 2508</i> | |
| -- | 146410GT | Z80 STEER YOKE, RF/LR ASSY. <i>includes items 7 and 17, from SN 2509</i> | |
| -- | 233111GT | Z80 STEER YOKE, RF/LR ASSY. <i>Hi-Flotation option, includes items 7 and 17, from SN 3156</i> | |
| 19 | 30734GT | PIN,1.00DIA X 2.88LG,1HOLE..... | 4 |

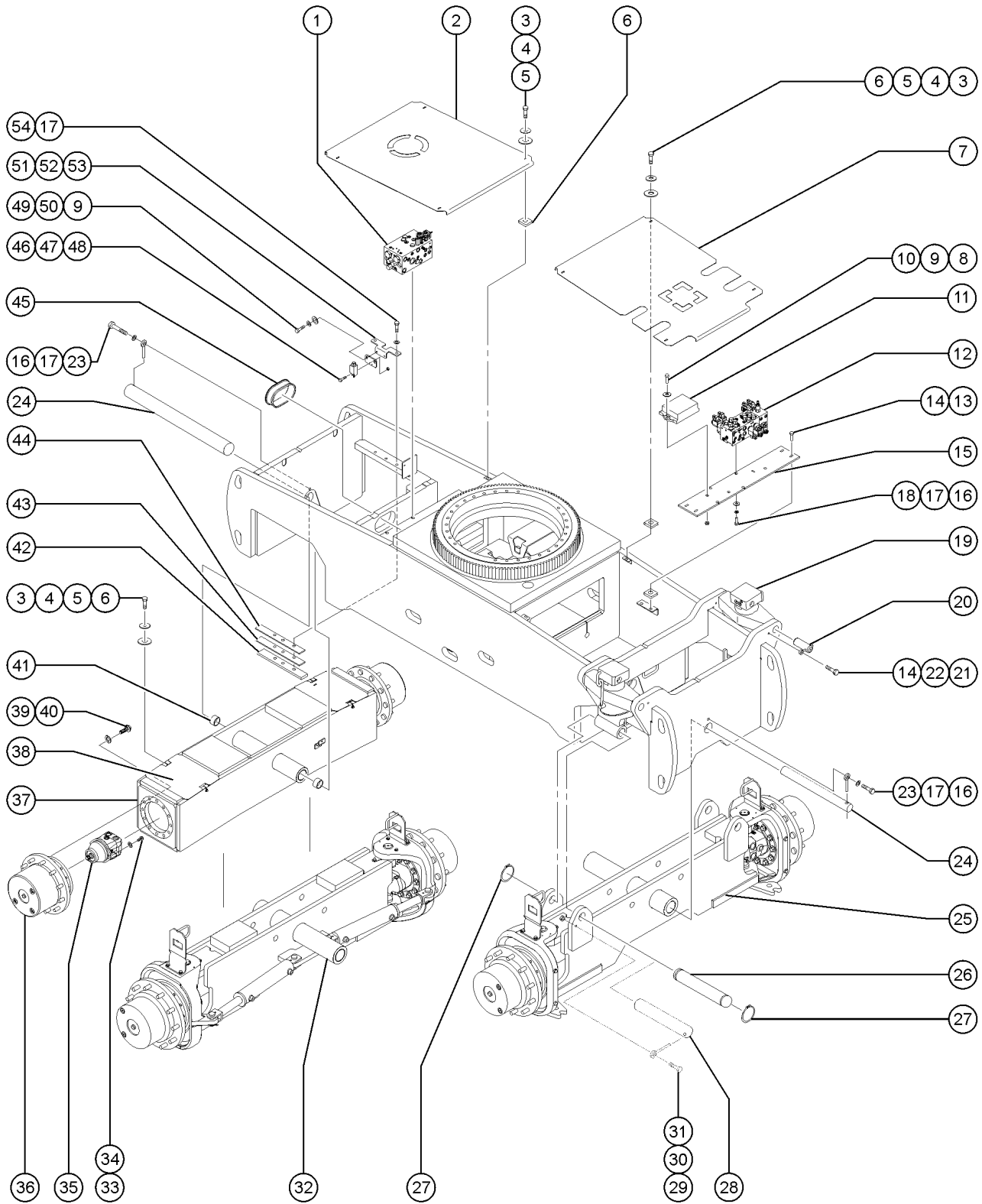
203.2 Front Steer Axle (from SN 3226)



203.2 Front Steer Axle (from SN 3226)

| Item | Part No. | Description | Qty. |
|------|-----------|---|------|
| 1 | 824129GT | RUE RING,1.0,ZAG..... | 4 |
| 2 | 824127GT | PIN,CLEVIS,1.0X2.41,SAE,ZAG..... | 4 |
| 3 | 59370GT | CYLINDER,STEER..... | 2 |
| -- | 88349GT | SEAL KIT,STEER CYL*** | |
| 4 | 824090GT | SCREW,HHF,3/8-16X1,8,ZAG..... | 6 |
| 5 | 88241GT | SHIM,GALVANIZED STEER YOKE | |
| 6 | 25817GT | BEARING,1.00IDX1.25ODX1.00L..... | 4 |
| 7 | 229398GT | PIN,1.75DIA X 4.0LG..... | 2 |
| 8 | 51144GT | BEARING,1.75IDX2.00ODX1.25L..... | 2 |
| 9 | 824089GT | SCREW,HHF,3/8-16X.75,8,ZAG..... | 6 |
| 10 | 230981GT | ASSY,Z80 YOKE, W/BEARINGS,L..... <i>(includes items 6, 8 and 11) LF / RR ASSEMBLY</i> | 1 |
| 11 | 119620GT | BEARING,1.75IDX2.00ODX1.50L..... | 2 |
| 12 | 1256857GT | SCREW,HHF,3/8-16X.625,8,ZAG | |
| 13 | 6021GT | WASHER,LOCK,.375 | |
| 14 | 825019GT | ROD END,.375X3.69,ZAG..... | 2 |
| 15 | 30199GT | PIN,1.75 DIA X4.50LG,THREADED..... | 2 |
| 16 | 88069GT | PLATE,KING PIN RETAINER *..... | 2 |
| 17 | 6097GT | WASHER,FLAT,USS,3/8",Y | |
| 18 | 60555GT | WASHER,THRUST 5 X 1.81 BRONZE | |
| 19 | 27698GT | BEARING,2.50IDX2.75ODX2.00L..... | 2 |
| 20 | 230980GT | ASSY,STEER AXLE, W/BEARINGS..... <i>(includes items 6 and 19)</i> | 1 |
| 21 | 230982GT | ASSY,Z80 YOKE, W/BEARINGS,RT..... <i>(includes items 6, 8 and 11) RF / LR ASSEMBLY</i> | 1 |

204.1 Axle Installation



204.1 Axle Installation

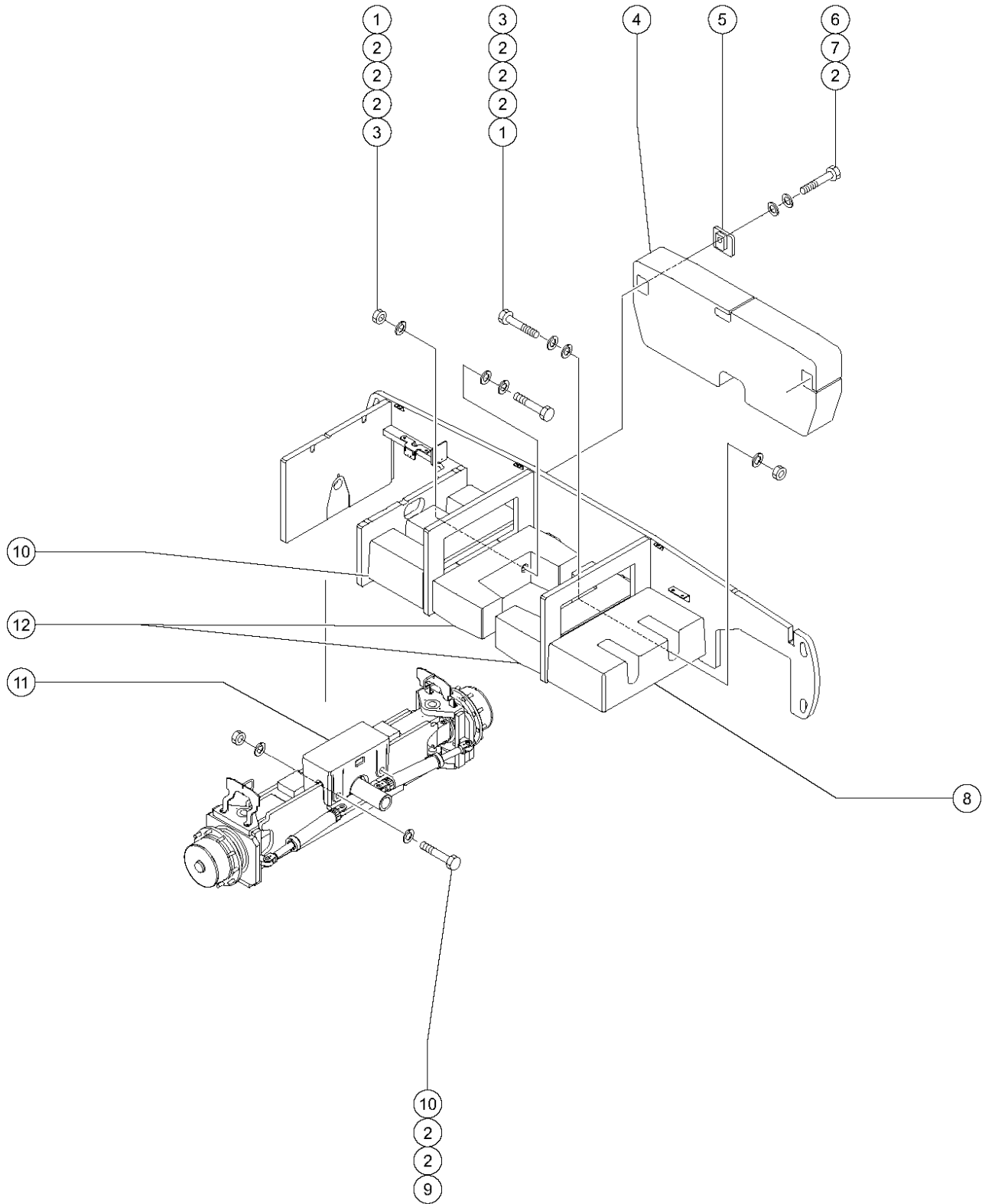
| Item | Part No. | Description | Qty. | Item | Part No. | Description | Qty. |
|------|-----------|--|--------------------------|------|-----------|---|------|
| -- | 88147GT | HARNES,DRIVE CHASSIS 2WS <i>2 Wheel Steer</i> | | 20 | 81498GT | PIN,1.75DIA X 4.50LG,THREADED..... | 4 |
| -- | 88139GT | HARN, DRIVE CHASSIS, 4WS <i>4 Wheel Steer</i> | | 21 | 1256856GT | SCREW,HHF,3/8-16X2.5,8,ZAG..... | 4 |
| -- | 61283GT | SLEAVING,PARKER TEK,2.00" | | 22 | 825019GT | ROD END,.375X3.69,ZAG..... | 6 |
| 1 | | Ref. Traction Manifold <i>(refer to 701.1 or 703.1)</i> | | 23 | 1256267GT | ROD END,.5 X 3.75,ZAG..... | 2 |
| -- | 237830GT | SCREW,HHF,1/2-13X1.8,ZAG..... | 2 | 24 | 81378GT | PIN,2.50DIA X 27.63LG,1HOLE..... | 2 |
| -- | 6033GT | WASHER,LOCK,0.5" | | 25 | | Ref. FRONT STEER AXLE ASSY <i>(refer to 203.1 and 203.2)</i> | |
| -- | 6095GT | WASHER,FLAT,USS,1/2",Y | | 26 | 121371GT | PIN,1.75DIA X 10.50LG,2 RING..... | 2 |
| 2 | 101529GT | COVER,DRIVE CHASSIS,REAR ASSY..... | 1 <i>(circle end)</i> | 27 | 825759GT | SNAP RING,EXTERNAL,1.75,ZAG..... | 4 |
| 3 | 824078GT | SCREW,HHF,1/4-20X.75,8,ZAG..... | 4 | 28 | 81598GT | PIN,1.75DIA X 10.75LG,1HOLE..... | 2 |
| 4 | 6356GT | WASHER,LOCK,.25..... | 4 | 29 | 5224GT | SCREW,HHC,3/8-16 X 2 <i>to SN 2508</i> | |
| 5 | 824113GT | WASHER,FLAT,USS,1/4,ZAG..... | 4 | 30 | 825019GT | ROD END,.375X3.69,ZAG <i>to SN 2508</i> | |
| 6 | 56912GT | SPRING CLIP,1/4-20,.025-.15X.54,ZAG..... | 8 | 31 | 824029GT | NUT,TL FLG,3/8-16,G,ZAG <i>to SN 2508</i> | |
| 7 | 101530GT | COVER,DRIVE CHASSIS,FRONT ASSY..... | 1 <i>(square end)</i> | 32 | 102941GT | Z80 REAR AXLE ASSY,STEER(SERV)..... | 1 |
| 8 | 1255763GT | SCREW,HHF,5/16-18X1.5,8,ZAG..... | 2 | -- | 146263GT | REAR STEER AXLE ASSY. Z80 <i>4 Wheel Steer; from SN 2509 to 3225</i> | |
| 9 | 5397GT | WASHER,FLAT,USS,5/16",Y | | -- | 230992GT | ASSY,STEER AXLE NON OSC,W/BEAR <i>4 Wheel Steer; from SN 3226</i> | |
| 10 | 824028GT | NUT,TL FLG,5/16-18,G,ZAG..... | 2 | 33 | 75101GT | SCREW,SHC,1/2-13 X 1.25,A574..... | 2 |
| 11 | 50154GT | CONTROL BOX ASSY,DRIVECHASSIS..... | 1 <i>(DCON)</i> | -- | 824134GT | SCREW,HHF,M12-1.75X30,DIN6921,10.9,ZAB.8 <i>from SN 3226</i> | |
| 12 | | Ref. 2WS or 4WS Oscillate Manifold <i>(refer to 702.1, 702.2, 704.1 or 704.2)</i> | | 34 | 1256182GT | WASHER,FLAT,5/8,F436,HRD,ZAG..... | 2 |
| 13 | 6019GT | SCREW,HHC,3/8-16 X 1.25 GRD 5 <i>to SN 2490</i> | | 35 | 88351GT | MOTOR,PISTON,2 SPEED,45CC 2WD..... | 2 |
| -- | 824091GT | SCREW,HHF,3/8-16X1.25,8,ZAG..... | 8 <i>from SN 2491</i> | -- | | Ref. Hydraulic Drive Motor, 4WD <i>(4WD refer to 202.1 and 202.2)</i> | |
| 14 | 824029GT | NUT,TL FLG,3/8-16,G,ZAG..... | 1 <i>to SN 2490</i> | -- | 102717GT | MOTOR,PISTON,HYD,45CC/19.5CC..... | 2 |
| -- | 29868GT | SPRING CLIP,3/8-16,.05-.20X.73,ZAG <i>from SN 2491</i> | | -- | 106098GT | SEAL KIT,MOTOR,LC/KC*** <i>(2WD) used with drive motor 102717; from SN 869</i> | |
| 15 | 88103GT | PLATE,STEER MANIFOLD MOUNT <i>to SN 2490</i> | | -- | 77806GT | SEAL KIT,DRIVE MOTOR*** <i>(2WD) use with drive motor 88351; to SN 868</i> | |
| -- | 146340GT | PLATE, MANIFOLD MOUNT <i>from SN 2491</i> | | 36 | | Ref. Drive Hub with Brake <i>2WD or 4WD; (refer to 202.1 and 202.2)</i> | |
| 16 | 1253498GT | SCREW,HHF,1/2-13X1.5,8,ZAG..... | 2 | 37 | 101531GT | REAR AXLE ASSEMBLY Z80 NON STR..... | 1 |
| 17 | 6033GT | WASHER,LOCK,0.5" | | -- | 230989GT | ASSY,NON-STEER AXLE W/BEARINGS <i>from SN 3226</i> | |
| 18 | 6095GT | WASHER,FLAT,USS,1/2",Y | | | | | |
| 19 | 81330GT | CYLINDER,OSCILLATE***..... | 2 | | | | |
| -- | 33428GT | VALVE,COUNTERBALANCE | | | | | |
| -- | 43018GT | SEAL KIT (39345) | | | | | |
| -- | 77519GT | SEAL KIT,OSC CYLINDER (81330)* | | | | | |

204.1 Axle Installation (continued)

| Item | Part No. | Description | Qty. |
|------|---------------------------|---|------|
| -- | 233110GT | REAR AXLE ASSEMBLY Z80 NON STR <i>from SN 3156 to 3225</i> | |
| 38 | 88210PGT | PLATE,AXLE COVER PAINTED.....2 <i>to SN 3225</i> | |
| -- | 121349GT | FORMING,COVER,REAR AXLE <i>from SN 3226</i> | |
| 39 | 73455GT | SCREW,HHC,5/8-11 X 2.25 GR8.....16 <i>to SN 3225</i> | |
| -- | 227779GT | SCREW,HHF,M16-2.0X50 10.9 <i>from SN 3226</i> | |
| 40 | 13064GT | WASHER,FLAT,.625 HARDENED.....16 <i>to SN 3225</i> | |
| 41 | 27698GT | BEARING,2.50IDX2.75ODX2.00L.....2 | |
| 42 | 88092PGT | BAR,AXLE ROTATION STOP PAINT.....2 | |
| 43 | 81610GT | SHIM,AXLE ROTATION STOP,16G | |
| 44 | 81609GT | SHIM,AXLE ROTATION STOP,22G | |
| 45 | 53387GT | GUARD, HOSE PROTECTOR.....1 | |
| 46 | 49819GT | SCREW,PHILLIPS,PHM,10-32 X .5 | |
| 47 | 6607GT | WASHER,LOCK,#10 PLTD | |
| 48 | 6178GT | NUT,NYLOCK,10-32 | |
| 49 | 1256857GT | SCREW,HHF,3/8-16X.625,8,ZAG.....4 | |
| 50 | 6021GT | WASHER,LOCK,.375 | |
| 51 | 88082PGT | FORMING,SWITCH MOUNT.....2 | |
| 52 | 88083PGT | PLATE,SWITCH MOUNT.....2 | |
| 53 | 88383GT | HARNESS,LS,OP,OSCILLATE,LH.....1 <i>(shown)</i> | |
| -- | 88382GT | HARNESS,LS,OP,OSCILLATE,RH.....1 | |
| -- | 88356-175R7 GT | SWITCH,LIMIT,TAB,BLUE,PLASTIC <i>part of LS harness item 88383 and 88382</i> | |
| -- | 110771-175R7GT | SWITCH,LIMIT,TAB,BLUE,METAL <i>can be used in place of LS item 88356-175R7</i> | |
| 54 | 1255802GT | SCREW,HHF,1/2-13X2.5,8,ZAG.....6 | |

This Page Intentionally Left Blank

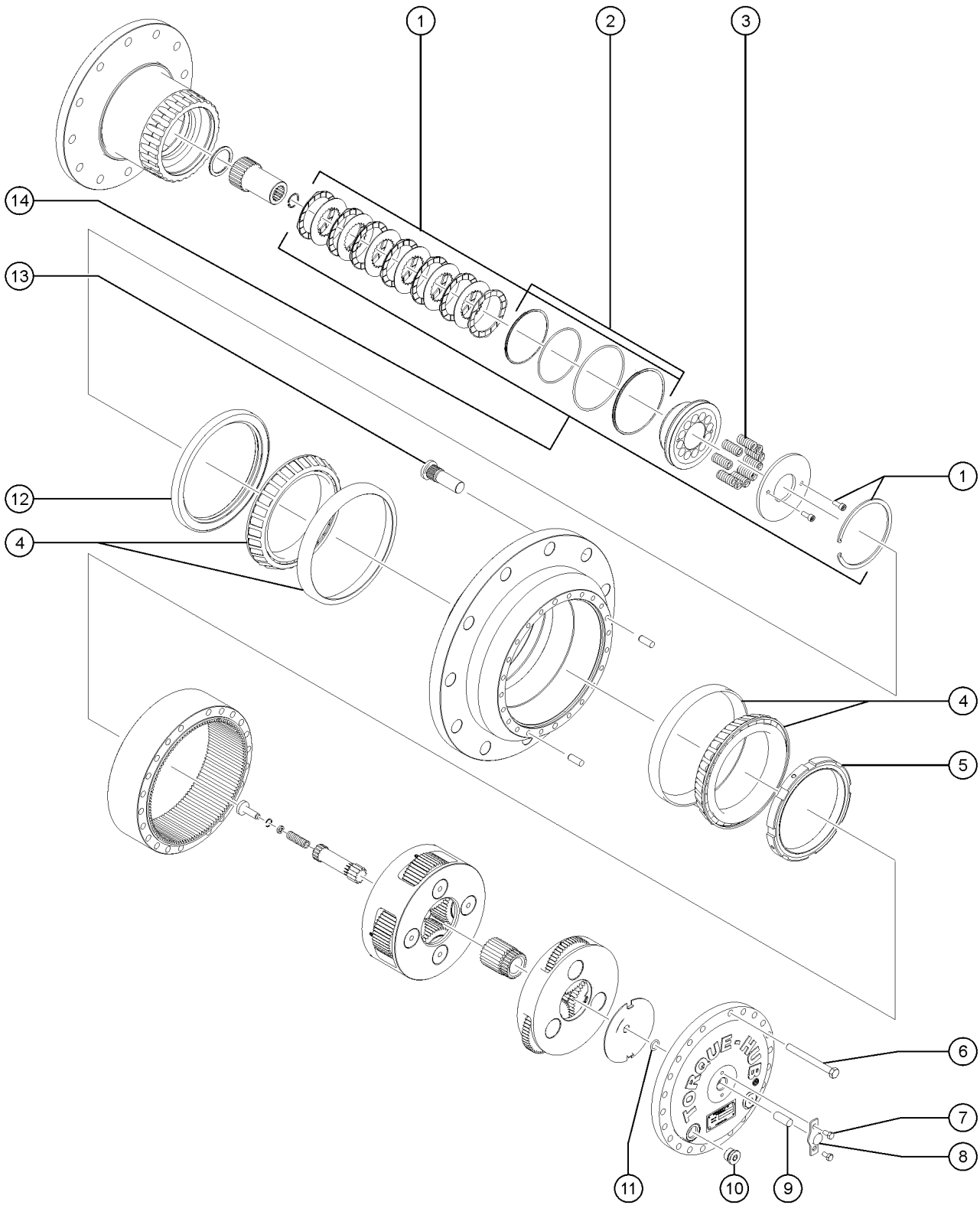
205.1 Drive Chassis and Axle Counterweights



205.1 Drive Chassis and Axle Counterweights

| Item | Part No. | Description | Qty. |
|------|-----------|----------------------------------|------|
| 1 | 826794GT | NUT,TL,1-8,C,ZAG..... | 4 |
| 2 | 1256469GT | WASHER,FLAT,1.0,USS,ZAG..... | 12 |
| 3 | 1268832GT | SCREW,HHC,1-8X19.5,2,ZAG..... | 4 |
| 4 | 94723GT | PLATE,CW,HI-FLO,SAND OPT,RH..... | 1 |
| -- | 111533GT | PLATE,CW,HI-FLO,SAND,OPT,LH | |
| 5 | 94726GT | WELDMENT,COUNTERWEIGHT,PLUG.4 | |
| 6 | 1268833GT | SCREW,HHC,1-8X4.5,5,ZAG..... | 4 |
| 7 | 29605GT | WASHER,LOCK,1" | |
| 8 | 88482GT | CASTING,CHASSIS WEIGHT..... | 2 |
| 9 | 1255389GT | SCREW,HHC,1-8X12,5,ZAG..... | 4 |
| 10 | 824031GT | NUT,TL FLG,1-8,G,ZAG..... | 4 |
| 11 | 88483GT | CASTING,AXLE COUNTERWEIGHT..... | 1 |
| 12 | 34767GT | CASTING,DRV.CHAS.COUNTERWEIGHT.2 | |

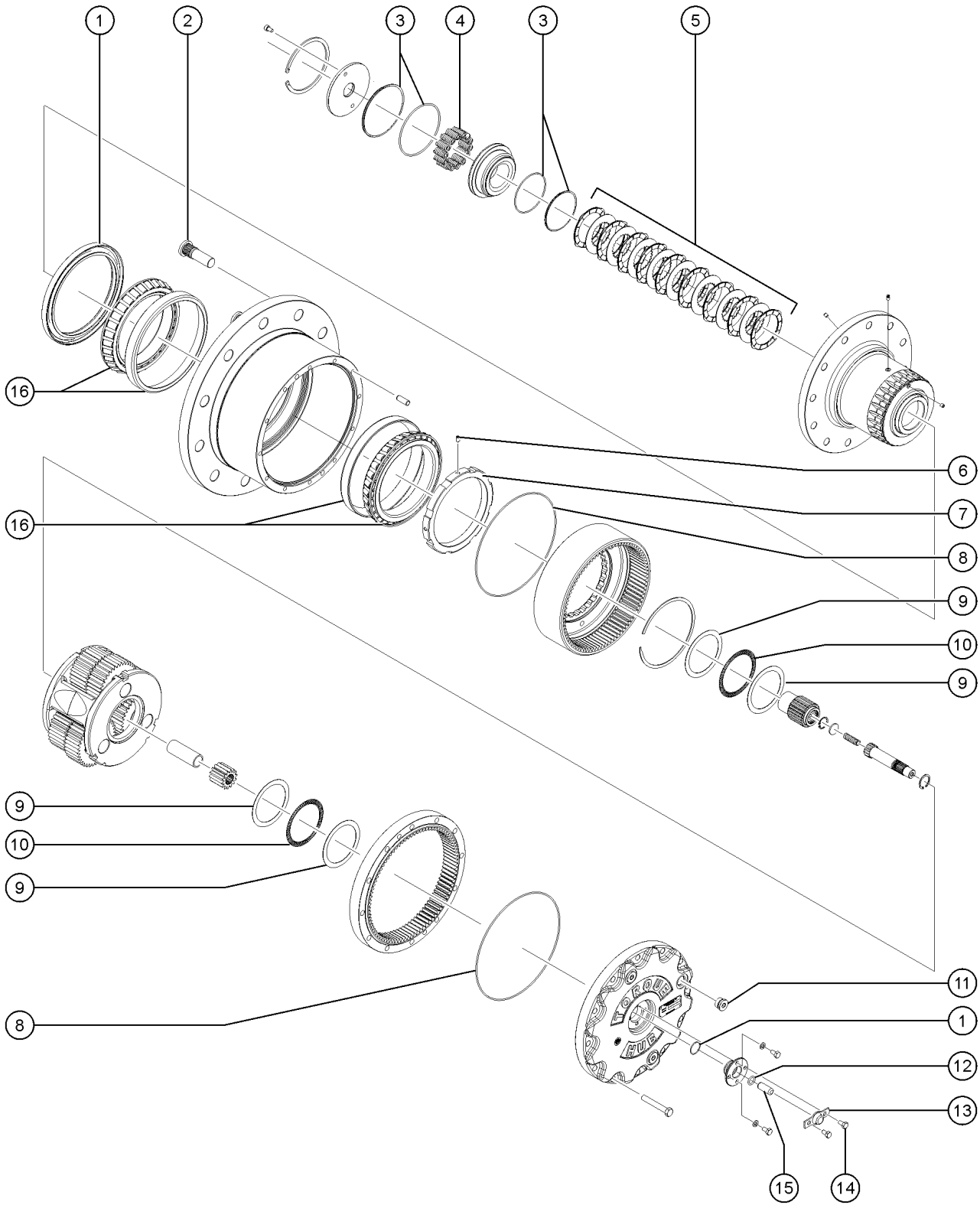
206.1 Drive Hub Assembly with Brake - Type 1 (from SN 3226)



206.1 Drive Hub Assembly with Brake - Type 1 (from SN 3226)

| Item | Part No. | Description | Qty. |
|------|-----------|---|------|
| -- | 1286604GT | SEAL KIT,WHEEL DRIVE W/BRAKE (227775) <i>for 227775</i> | |
| -- | 1286605GT | BEARING KIT,WHEEL DRIVE W/BRAKE (227775) <i>for 227775</i> | |
| -- | 215623GT | SEAL KIT (227775) <i>for 227775 (inventory limited to stock on hand as component is no longer available)</i> | |
| -- | 227775GT | WHEEL DRIVE,W/BRAKE 57.49:1 <i>shown</i> | |
| 1 | 235133GT | Brake Lining Kit..... | 1 |
| 2 | 235139GT | Brake Seal Kit..... | 1 |
| 3 | 235140GT | Spring Kit..... | 1 |
| 4 | 235137GT | BEARING, TAPERED - ASSY..... | 2 |
| 5 | 146051GT | BEARING NUT*** | 1 |
| 6 | 235151GT | BOLT,HEX-UNC(.375-16)..... | 22 |
| 7 | 111362GT | BOLT,WHEEL DRIVE CAP(106122)..... | 2 |
| 8 | 106122GT | CAP,DISENGAGE,4HP/4HB***..... | 1 |
| 9 | 235152GT | DISENGAGE, ROD..... | 1 |
| 10 | 235153GT | PIPE PLUG, MAGN..... | 2 |
| 11 | 111363GT | O-RING,DISCONNECT ROD (111060)... | 1 |
| 12 | 215623GT | SEAL KIT (227775)..... <i>includes 2 O-rings (not shown) and bearing nut part 146051</i> | 1 |
| 13 | 33441GT | STUD,WHEEL,3/4-16, (34115)..... | 11 |
| 14 | 235150GT | Brake Replacement Kit..... | 1 |

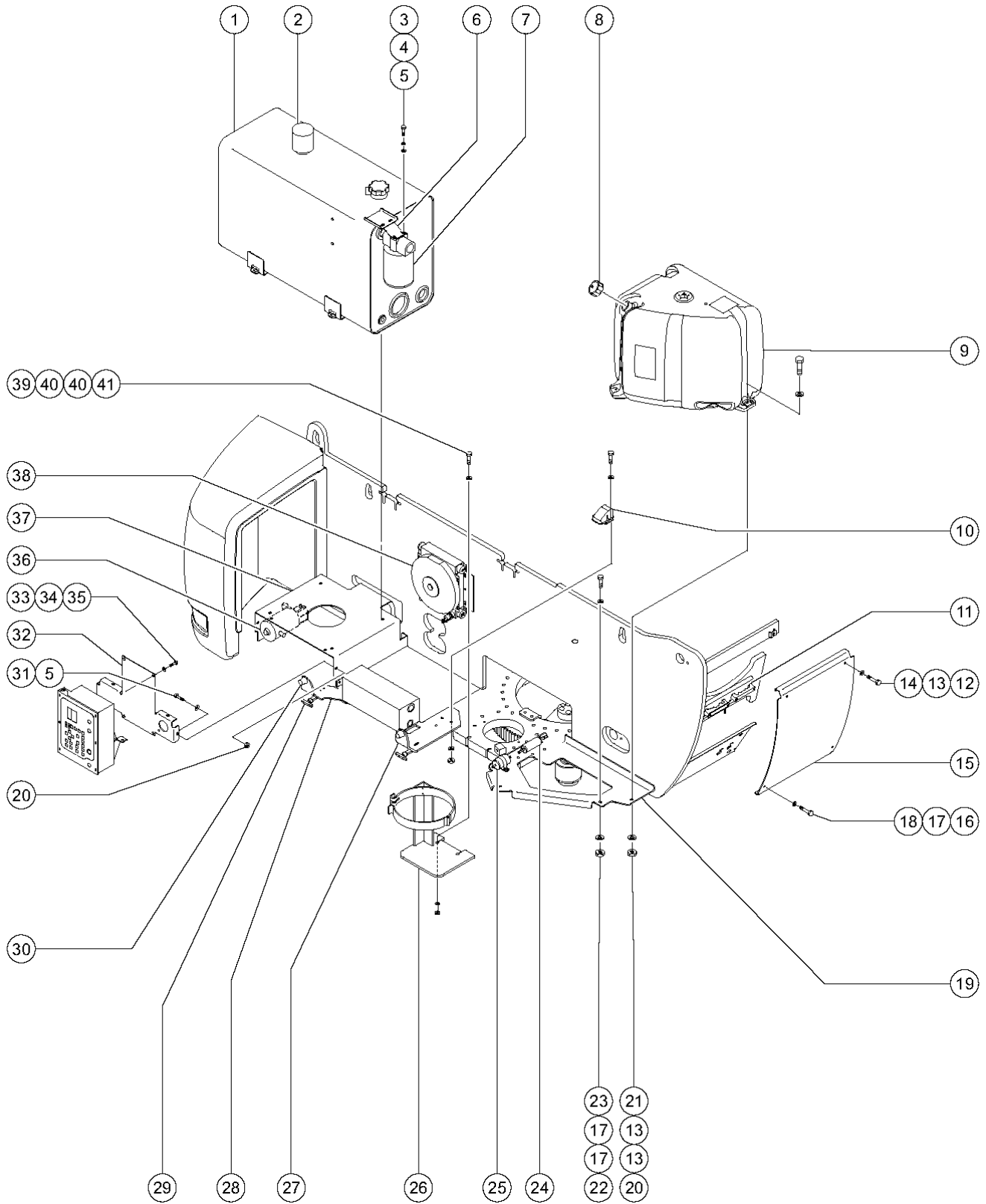
207.1 Drive Hub Assembly with Brake - Type 2 (from SN 3156)



207.1 Drive Hub Assembly with Brake - Type 2 (from SN 3156)

| Item | Part No. | Description | Qty. |
|------|-----------|--|------|
| -- | 121291GT | WHEEL DRIVE,86.74:1*** <i>from SN 3156</i> | |
| -- | 227776GT | WHEEL DRIVE W/BRAKE 86.74:1 <i>shown (from SN 3226)</i> | |
| 1 | T111507GT | SEAL KIT (121291)***1 <i>includes items 8 and 12</i> | |
| 2 | 33441GT | STUD,WHEEL,3/4-16, (34115).....11 | |
| 3 | 122878GT | BRAKE LINING KIT (121291).....1 | |
| 4 | 122879GT | SPRING KIT (121291).....1 | |
| 5 | 106125GT | SEAL KIT, BRAKE, 4HP <i>for 101584 (inventory limited to stock on hand as component is no longer available)</i> | |
| 5 | 1286602GT | SEAL KIT,WHEEL DRIVE W/BRAKE (101584/101585) <i>for 101584</i> | |
| 6 | 146052GT | SET SCREW***1 | |
| 7 | 146051GT | BEARING NUT***1 | |
| 8 | 33990GT | O-RING, TORQUE HUB COVER.....2 <i>part of seal kit T111507</i> | |
| 9 | 58999GT | WASHER, THRUST,(33434)**4 | |
| 10 | 65846GT | BEARING, THRUST WASHER***2 | |
| 11 | 58237GT | PLUG, TORQUE HUB, DRAIN***3 | |
| 12 | 111363GT | O-RING, DISCONNECT ROD (111060)...1 <i>part of seal kit T111507</i> | |
| 13 | 106122GT | CAP, DISENGAGE, 4HP/4HB***1 | |
| 14 | 235154GT | BOLT, HEX-UNC(.250-20, .500G).....4 | |
| 15 | 235152GT | DISENGAGE, ROD.....1 | |
| 16 | 235137GT | BEARING, TAPERED - ASSY.....2 | |

301.1 Hydraulic and Fuel Tanks



301.1 Hydraulic and Fuel Tanks

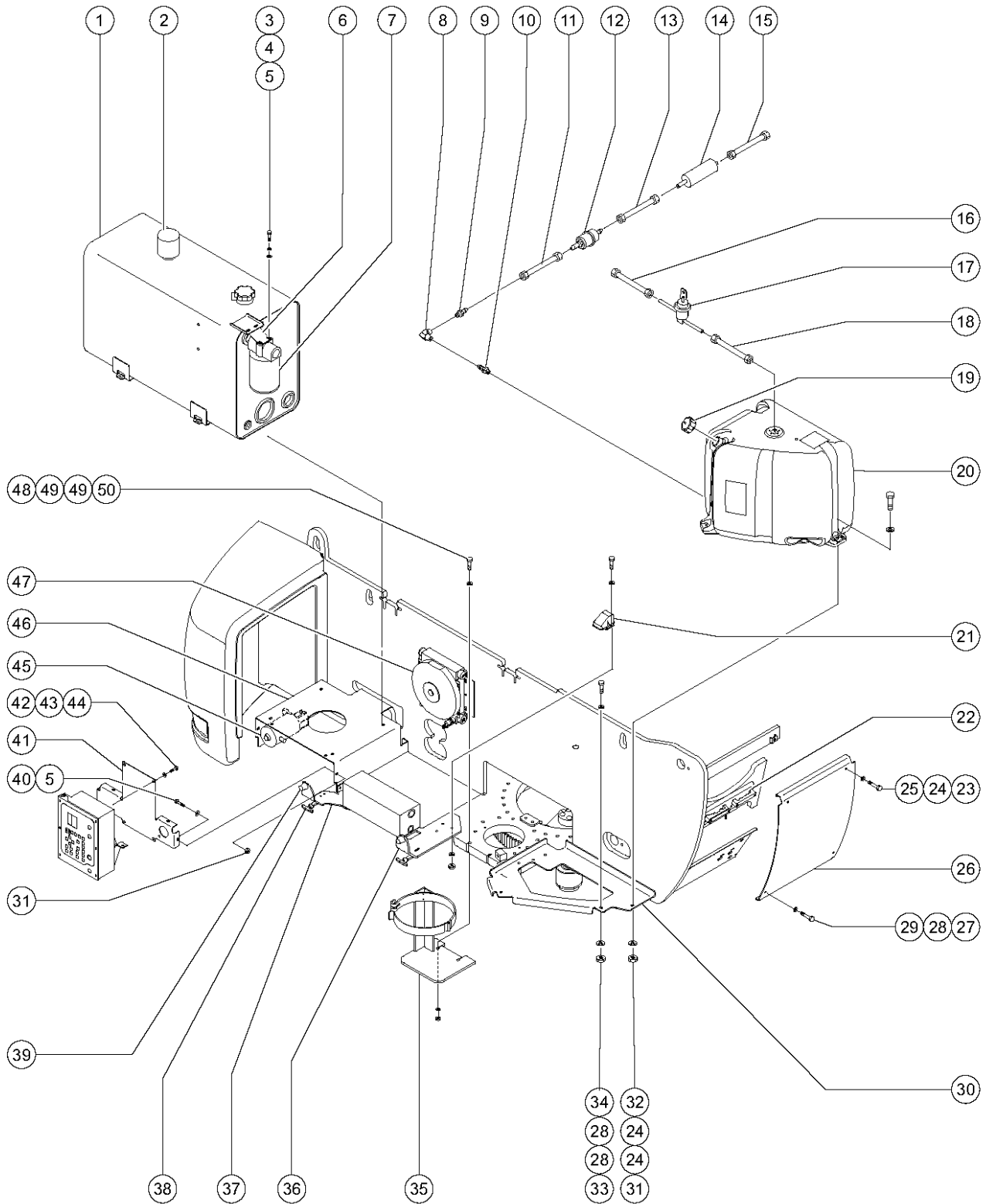
| Item | Part No. | Description | Qty. | Item | Part No. | Description | Qty. |
|------|----------|---|------|------|----------|---|------|
| -- | 88154GT | HARNES,BATT TO APU SOLENOID | | 20 | 4828GT | NUT,NYLOCK,3/8-16 | |
| -- | 88155GT | HARNES,APU TO ENGINE BLOCK | | 21 | 5224GT | SCREW,HHC,3/8-16 X 2 | |
| 1 | 61413GT | TANK,HYDRAULIC,45 GALLON.....1 | | 22 | 8914GT | SCREW,HHC,1/4-20 X .625 | |
| -- | 21141GT | GAUGE-SIGHT,LHA-LGTB*** | | 23 | 6091GT | NUT,NYLOCK,1/4-20 | |
| -- | 75113GT | FILLER NECK/CAP ASSY.HYD TANK* | | 24 | 77536GT | PUMP,FUEL GM 3.0 ENG. C282-238.....1 <i>gasoline/LPG models; to SN 362</i> | |
| -- | 75253GT | STRAINER ASSY,#16 O-RING | | -- | 77219GT | PUMP, FUEL, LRG425, WALBRO <i>gasoline/LPG models; from SN 996</i> | |
| -- | 75257GT | STRAINER ASSY,#24 O-RING | | 25 | 65626GT | FILTER-FUEL, GM 3.0L ENGINE.....1 <i>gasoline/LPG models; to SN 362</i> | |
| 2 | 60559GT | BREATHER,RESERVOIR 3 MICRON***1 | | -- | 52179GT | FILTER, FUEL LRG 425/423 EFI <i>gasoline/LPG models; from SN 363 to SN 995</i> | |
| 3 | 13002GT | SCREW,HHC,5/16-18 X 1 GR5 | | 26 | 88270GT | WELDMENT,LP BOTTLE MOUNT.....1 | |
| 4 | 6886GT | WASHER,LOCK,.313 | | -- | 49000GT | L.P.TANK LATCH | |
| 5 | 5397GT | WASHER,FLAT,USS,5/16",Y | | 27 | 88045PGT | FORMING,MANIFOLD SUPPORT.....1 | |
| 6 | 60936PGT | BRACKET,RETURN FILTER.....1 | | 28 | 88046PGT | FORMING,MANIFOLD SUPPORT.....1 | |
| 7 | 60508GT | FILTER,RETURN,ASSY 10 MICRON.....1 | | 29 | 45363GT | LATCH,FLEXIBLE DRAW W/O KEEPER.....2 | |
| -- | 228823GT | FILTER ELEMENT,BETA(10)=1000 <i>use with hydraulic fluid fire resistant option</i> | | -- | 6146GT | WASHER,FLAT,MS,#10,Y | |
| -- | 52768GT | GAUGE,MED.PRESSUR FILTER,50530 | | -- | 6178GT | NUT,NYLOCK,10-32 | |
| -- | 61326GT | FILTER ELEMENT,10 MICRON,60508 | | -- | 75041GT | SCREW,PHILLIPS,PHM,10-32 X 1 | |
| 8 | 101726GT | CAP,FUEL,DIESEL,1/8"VENT(GRN).....1 <i>diesel models</i> | | 30 | 30973GT | BUMPER,RUBBER-1 X 1.25.....2 | |
| -- | 101727GT | CAP,FUEL,GAS,1/8"VENT(RED) <i>gasoline/LPG models</i> | | -- | 5397GT | WASHER,FLAT,USS,5/16",Y | |
| 9A | 77675GT | ASSY,FUEL TANK Z80.....1 | | -- | 6782GT | NUT,NYLOCK,5/16-18 | |
| -- | 60890GT | SENDER,LOW FUEL INDICATOR | | 31 | 6019GT | SCREW,HHC,3/8-16 X 1.25 GRD 5 | |
| -- | 61234GT | FUEL RETURN,DAPCO 18.75 <i>Deutz models</i> | | 32 | 88105PGT | FORMING,CONTROL BOX MOUNT.....1 | |
| -- | 61240GT | BUSHING,FUEL TANK FITTING (SM) | | 33 | 8914GT | SCREW,HHC,1/4-20 X .625 | |
| -- | 88091GT | FUEL RETURN,DAPCO 1/4" <i>Perkins models</i> | | 34 | 6356GT | WASHER,LOCK,.25 | |
| 9B | | Gasoline/LPG fuel tanks <i>from SN 966 (refer to 301.2)</i> | | 35 | 6638GT | WASHER,FLAT,USS,1/4"Y | |
| -- | 88090GT | FUEL RETURN,DAPCO 5/16" <i>Gasoline/LPG models; to SN 995</i> | | 36 | 102710GT | PUMP,AUXILIARY,DUAL,12V.....1 | |
| 10 | 50161GT | SENSOR,TILT TURNTABLE(PLSTC).....1 | | -- | 102659GT | PUMP,(102710 APU) | |
| 11 | 88227PGT | FORMING,HOSE CHAFE PROTECTOR.....1 | | -- | 147290GT | SHAFT SEAL, APU | |
| -- | 88107GT | CLAMP RISER CABLETRACK-LEFT | | -- | 37187GT | SEAL KIT, 37185 PUMP | |
| 12 | 6175GT | SCREW,HHC,3/8-16 X 1 | | -- | 37191GT | GASKET, PUMP / MOTOR (36179) | |
| 13 | 6097GT | WASHER,FLAT,USS,3/8",Y | | -- | 62412GT | SOLENOID,MOTOR START,60511,APU | |
| 14 | 29868GT | SPRING CLIP,3/8-16,.05-.20X.73,ZAG....2 | | -- | 62413GT | MOTOR, 60511, APU, 12VDC | |
| 15 | 88121PGT | FORMING,TRNTBLE UPPER CNTR CVR.....1 | | -- | 62414GT | SEAL, SHAFT, 60511 APU | |
| 16 | 6888GT | SCREW,HHC,1/4-20 X 1 | | 37 | 88044PGT | FORMING,TANK SUPPORT.....1 | |
| 17 | 6638GT | WASHER,FLAT,USS,1/4"Y | | 38 | 71259GT | OIL COOLER W/FAN, 12VDC.....1 | |
| 18 | 56912GT | SPRING CLIP,1/4-20,.025-.15X.54,ZAG.....2 | | -- | 13918GT | SCREW,HHC,3/8-16 X 1.75,GRD.8.....4 | |
| 19 | 81829PGT | FORMING,FUEL TANK TRAY.....1 | | -- | 4828GT | NUT,NYLOCK,3/8-16 | |
| | | | | -- | 6097GT | WASHER,FLAT,USS,3/8",Y | |
| | | | | -- | 75854GT | FAN - VENTED | |
| | | | | -- | 75855GT | THERMOSTAT -OIL COOLER (71259) | |

301.1 Hydraulic and Fuel Tanks
(continued)

| Item | Part No. | Description | Qty. |
|------|----------|------------------------|------|
| 39 | 8357GT | SCREW,HHC,1/2-13 X 3.5 | |
| 40 | 6095GT | WASHER,FLAT,USS,1/2",Y | |
| 41 | 6198GT | NUT,NYLOCK,1/2-13 | |

This Page Intentionally Left Blank

301.2 Hydraulic and Fuel Tanks - Gasoline/LPG Models (from SN 966 to 3200)



301.2 Hydraulic and Fuel Tanks - Gasoline/LPG Models (from SN 966 to 3200)

| Item | Part No. | Description | Qty. | Item | Part No. | Description | Qty. |
|------|----------------|--|------|------|----------|---|------|
| -- | 88154GT | HARNES, BATT TO APU SOLENOID | | -- | 61240GT | BUSHING, FUEL TANK FITTING (SM) <i>from SN 996 to 1913</i> | |
| -- | 88155GT | HARNES, APU TO ENGINE BLOCK | | 20B | | TANK ASSY, GAS, 30 GAL, Z80 <i>Previous tank part 122324 is no longer available. For first time replacement order fuel tank kit 229424 (refer to 301.3); from 1914 to 3200</i> | |
| 1 | 61413GT | TANK, HYDRAULIC, 45 GALLON.....1 | | -- | 119983GT | FUEL PICKUP, 3/8X1/4NPT X 2200 <i>Use with previous tank 122324; from 1914</i> | |
| -- | 21141GT | GAUGE-SIGHT, LHA-LGTB*** | | -- | 128081GT | ELBOW, 90D, 1/4FPTX3/8MPT <i>from SN 1914</i> | |
| -- | 75253GT | STRAINER ASSY, #16 O-RING | | -- | 229424GT | Z80 STEEL FUEL TANK SRVC KIT <i>Replacement kit for previous tank 122324 (refer to 301.3); from 1914 to 3200</i> | |
| -- | 75257GT | STRAINER ASSY, #24 O-RING | | -- | 60890GT | SENDER, LOW FUEL INDICATOR | |
| 2 | 60559GT | BREATH, RESERVOIR 3 MICRON***.....1 | | 21 | 50161GT | SENSOR, TILT TURNTABLE (PLSTC).....1 | |
| 3 | 13002GT | SCREW, HHC, 5/16-18 X 1 GR5 | | 22 | 88227PGT | FORMING, HOSE CHAFE PROTECTOR.....1 | |
| 4 | 6886GT | WASHER, LOCK, .313 | | -- | 102309GT | CLAMP, CABLE TRACK RISER, R.S. | |
| 5 | 5397GT | WASHER, FLAT, USS, 5/16", Y | | -- | 88107GT | CLAMP RISER CABLETRACK-LEFT | |
| 6 | 60936PGT | BRACKET, RETURN FILTER.....1 | | 23 | 6175GT | SCREW, HHC, 3/8-16 X 1 | |
| 7 | 60508GT | FILTER, RETURN, ASSY 10 MICRON.....1 | | 24 | 6097GT | WASHER, FLAT, USS, 3/8", Y | |
| -- | 228823GT | FILTER ELEMENT, BETA(10)=1000 <i>use with hydraulic fluid fire resistant option</i> | | 25 | 29868GT | SPRING CLIP, 3/8-16, .05-.20X.73, ZAG....2 | |
| -- | 52768GT | GAUGE, MED. PRESSUR FILTER, 50530 | | 26 | 88121PGT | FORMING, TRNTBLE UPPER CNTR CVR.....1 | |
| -- | 61326GT | FILTER ELEMENT, 10 MICRON, 60508 | | 27 | 6888GT | SCREW, HHC, 1/4-20 X 1 | |
| 8 | 19363GT | ELBOW, 130239-4-4.....1 <i>from SN 996 to 1913</i> | | 28 | 6638GT | WASHER, FLAT, USS, 1/4"Y | |
| 9 | 111818GT | FITTING, 1/4 NPT X SAE J2044.....1 | | 29 | 56912GT | SPRING CLIP, 1/4-20, .025-.15X.54, ZAG.....2 | |
| 10 | 106033GT | ADAPTER, NPT 6-4.....2 <i>from SN 996 to 1913</i> | | 30 | 81829PGT | FORMING, FUEL TANK TRAY.....1 | |
| 11 | 111817-1700GT | HOSE ASSY, SAE J2260/J2044, 2END....1 <i>from SN 996 to 1913</i> | | 31 | 4828GT | NUT, NYLOCK, 3/8-16 | |
| -- | 111817-3425GT | HOSE ASSY, SAE J2260/J2044, 2END <i>from SN 1914</i> | | 32 | 5224GT | SCREW, HHC, 3/8-16 X 2 | |
| 12 | 111797GT | FILTER, GAS, SAE J2044 FITTING.....1 | | 33 | 8914GT | SCREW, HHC, 1/4-20 X .625 | |
| 13 | 111817-0400GT | HOSE ASSY, SAE J2260/J2044, 2END....1 <i>from SN 996 to 1913</i> | | 34 | 6091GT | NUT, NYLOCK, 1/4-20 | |
| -- | 111817-0725GT | HOSE ASSY, SAE J2260/J2044, 2END <i>from SN 1914</i> | | 35 | 88270GT | WELDMENT, LP BOTTLE MOUNT.....1 | |
| 14 | 111915GT | FUEL PUMP, TME 2.7L ENGINE.....1 | | -- | 49000GT | L.P. TANK LATCH | |
| 15 | 111817-9200GT | HOSE ASSY, SAE J2260/J2044, 2END....1 <i>from SN 996 to 1913</i> | | 36 | 88045PGT | FORMING, MANIFOLD SUPPORT.....1 | |
| -- | 111817-5225GT | HOSE ASSY, SAE J2260/J2044, 2END <i>from SN 1914</i> | | 37 | 88046PGT | FORMING, MANIFOLD SUPPORT.....1 | |
| 16 | 111817-1700GT | HOSE ASSY, SAE J2260/J2044, 2END....1 | | 38 | 45363GT | LATCH, FLEXIBLE DRAW W/O KEEPER.....2 | |
| 17 | | Ref Fuel Pressure Regulator (refer to 422.1) | | -- | 6146GT | WASHER, FLAT, MS, #10, Y | |
| 18 | 111820-12300GT | HOSE ASSY, SAE J2260/J2044, 1END....1 <i>from SN 996 to 1913</i> | | -- | 6178GT | NUT, NYLOCK, 10-32 | |
| -- | 111817-8825GT | HOSE ASSY, SAE J2260/J2044, 2END <i>from SN 1914</i> | | -- | 75041GT | SCREW, PHILLIPS, PHM, 10-32 X 1 | |
| 19 | 101727GT | CAP, FUEL, GAS, 1/8" VENT (RED) <i>from SN 996 to 1913</i> | | 39 | 30973GT | BUMPER, RUBBER-1 X 1.25.....2 | |
| -- | 119918GT | CAP, FUEL, GASOLINE 3.5PSI <i>from SN 1914</i> | | 39 | 6782GT | NUT, NYLOCK, 5/16-18 | |
| 20A | 77675GT | ASSY, FUEL TANK Z80.....1 <i>from SN 996 to 1913</i> | | -- | 5397GT | WASHER, FLAT, USS, 5/16", Y | |
| | | | | 40 | 6019GT | SCREW, HHC, 3/8-16 X 1.25 GRD 5 | |

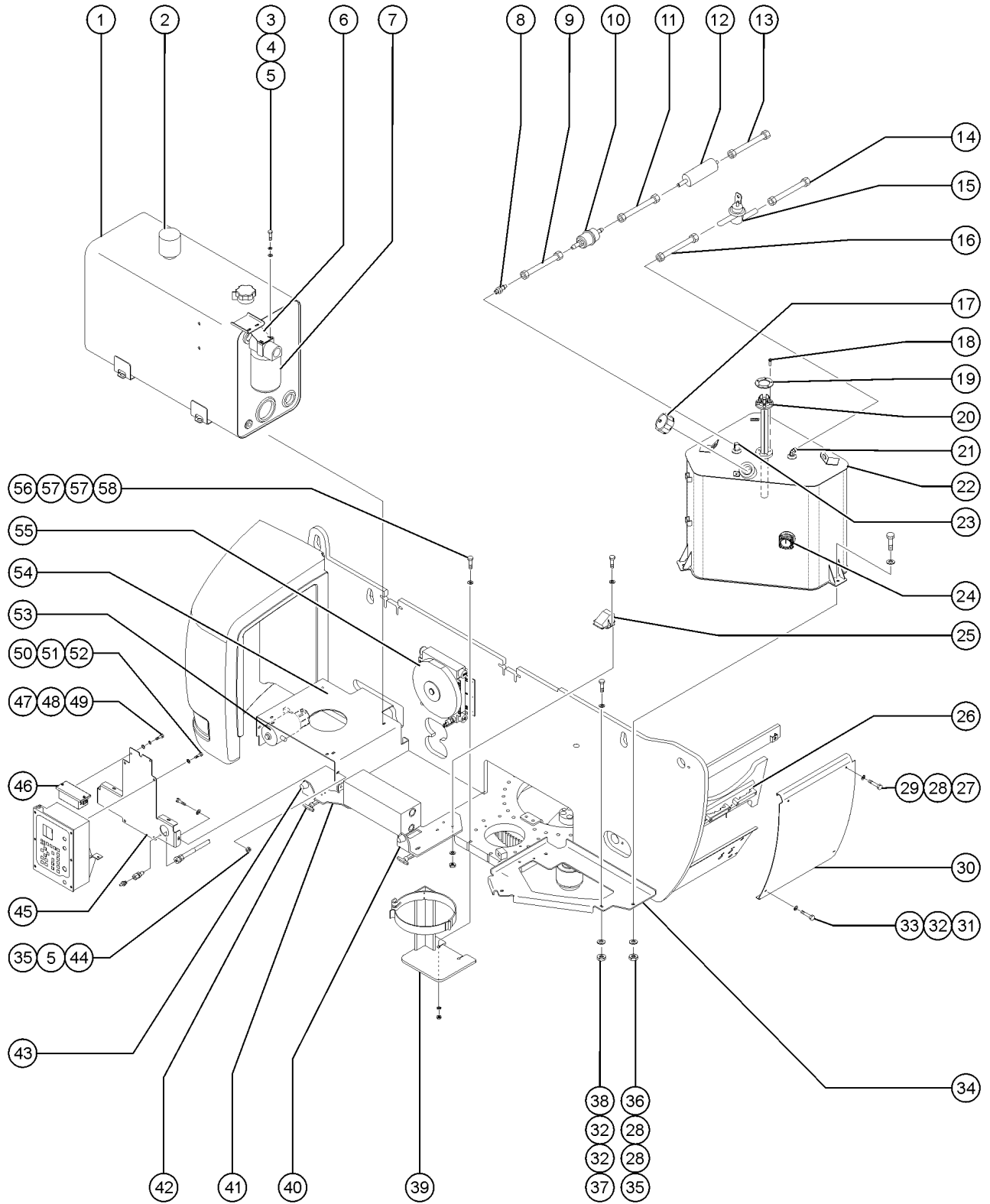
301.2 Hydraulic and Fuel Tanks - Gasoline/LPG Models (from SN 966 to 3200) (continued)

| Item | Part No. | Description | Qty. |
|------|----------|---|------|
| 41 | 88105PGT | FORMING,CONTROL BOX MOUNT.....1 | |
| 42 | 8914GT | SCREW,HHC,1/4-20 X .625 | |
| 43 | 6356GT | WASHER,LOCK,,.25 | |
| 44 | 6638GT | WASHER,FLAT,USS,1/4"Y | |
| 45 | | PUMP,AUXILIARY,DUAL,12V.....1 (refer to 301.1) | |
| 46 | 88044PGT | FORMING,TANK SUPPORT.....1 | |
| 47 | 71259GT | OIL COOLER W/FAN, 12VDC.....1 | |
| -- | 13918GT | SCREW,HHC,3/8-16 X 1.75,GRD.8.....4 | |
| -- | 6097GT | WASHER,FLAT,USS,3/8",Y | |
| -- | 75854GT | FAN - VENTED | |
| -- | 75855GT | THERMOSTAT -OIL COOLER (71259) | |
| 48 | 8357GT | SCREW,HHC,1/2-13 X 3.5 | |
| 49 | 6095GT | WASHER,FLAT,USS,1/2",Y | |
| 50 | 6198GT | NUT,NYLOCK,1/2-13 | |

301.2 Hydraulic and Fuel Tanks - Gasoline/LPG Models (from SN 966 to 3200)
(continued)

This Page Intentionally Left Blank

301.3 Hydraulic and Fuel Tanks - Gasoline/LPG Models (from SN 3201)



301.3 Hydraulic and Fuel Tanks - Gasoline/LPG Models (from SN 3201)

| Item | Part No. | Description | Qty. | Item | Part No. | Description | Qty. |
|------|---------------|---|------|------|-----------|---|------|
| -- | 88154GT | HARNES,BATT TO APU SOLENOID | | 30 | 88121PGT | FORMING,TRNTBLE UPPER CNTR CVR..... | 1 |
| -- | 88155GT | HARNES,APU TO ENGINE BLOCK | | 31 | 6888GT | SCREW,HHC,1/4-20 X 1 | |
| 1 | 61413GT | TANK,HYDRAULIC,45 GALLON..... | 1 | 32 | 6638GT | WASHER,FLAT,USS,1/4"Y | |
| -- | 21141GT | GAUGE-SIGHT,LHA-LGTB*** | | 33 | 56912GT | SPRING CLIP,1/4-20,.025-.15X.54,ZAG..... | 2 |
| -- | 75253GT | STRAINER ASSY,#16 O-RING | | 34 | 81829PGT | FORMING,FUEL TANK TRAY..... | 1 |
| -- | 75257GT | STRAINER ASSY,#24 O-RING | | 35 | 4828GT | NUT,NYLOCK,3/8-16 | |
| 2 | 60559GT | BREATHER,RESERVOIR 3 MICRON***..... | 1 | 36 | 8516GT | SCREW, HCC, 3/8-16 X 1.50 | |
| 3 | 13002GT | SCREW,HHC,5/16-18 X 1 GR5 | | 37 | 8914GT | SCREW,HHC,1/4-20 X .625 | |
| 4 | 6886GT | WASHER,LOCK,.313 | | 38 | 6091GT | NUT,NYLOCK,1/4-20 | |
| 5 | 5397GT | WASHER,FLAT,USS,5/16",Y | | 39 | 88270GT | WELDMNT,LP BOTTLE MOUNT..... | 1 |
| 6 | 60936PGT | BRACKET,RETURN FILTER..... | 1 | -- | 49000GT | L.P.TANK LATCH | |
| 7 | 60508GT | FILTER,RETURN,ASSY 10 MICRON..... | 1 | 40 | 88045PGT | FORMING,MANIFOLD SUPPORT..... | 1 |
| -- | 228823GT | FILTER ELEMENT,BETA(10)=1000 <i>use with hydraulic fluid fire resistant option</i> | | 41 | 88046PGT | FORMING,MANIFOLD SUPPORT..... | 1 |
| -- | 52768GT | GAUGE,MED.PRESSUR FILTER,50530 | | 42 | 45363GT | LATCH,FLEXIBLE DRAW W/O KEEPER..... | 2 |
| -- | 61326GT | FILTER ELEMENT,10 MICRON,60508 | | -- | 6146GT | WASHER,FLAT,MS,#10,Y | |
| 8 | 111818GT | FITTING,1/4 NPT X SAE J2044..... | 1 | -- | 6178GT | NUT,NYLOCK,10-32 | |
| 9 | 111817-9375GT | ASSY,FUEL HOSE | | -- | 75041GT | SCREW,PHILLIPS,PHM,10-32 X 1 | |
| 10 | 111797GT | FILTER, GAS, SAE J2044 FITTING..... | 1 | 43 | 30973GT | BUMPER,RUBBER-1 X 1.25..... | 2 |
| 11 | 111817-0725GT | HOSE ASSY,SAE J2260/J2044,2END | | -- | 5397GT | WASHER,FLAT,USS,5/16",Y | |
| 12 | 111915GT | FUEL PUMP,TME 2.7L ENGINE..... | 1 | -- | 6782GT | NUT,NYLOCK,5/16-18 | |
| 13 | 111817-5225GT | HOSE ASSY,SAE J2260/J2044,2END | | 44 | 6019GT | SCREW,HHC,3/8-16 X 1.25 GRD 5 | |
| 14 | 111817-1700GT | HOSE ASSY,SAE J2260/J2044,2END.... | 1 | 45 | 88105PGT | FORMING,CONTROL BOX MOUNT..... | 1 |
| 15 | | Ref Fuel Pressure Regulator (refer to 422.1) | | 46 | 1253314GT | ASSY,TELEMATICS CONN. BOX <i>from SN 4765</i> | |
| 16 | 111817-3825GT | ASSY,FUEL HOSE | | -- | 34052GT | RELAY,SPDT,12V(AUTO) PLUG IN** <i>from SN 4765</i> | |
| 17 | 119918GT | CAP,FUEL,GASOLINE 3.5PSI | | -- | 34053GT | ASSY,RELAY SOCKET, AUTO <i>from SN 4765</i> | |
| 18 | 49826GT | SCREW,PHILLIPS,PHM,10-32 X.625 | | 47 | 824059GT | SCREW,HHC,1/4-20X.75,8,ZAG <i>from SN 4765</i> | |
| 19 | 146551GT | GASKET, FUEL LEVEL SENDER, Z80 | | 48 | 824109GT | WASHER,LOCK,1/4,ZAG <i>from SN 4765</i> | |
| 20 | 60890GT | SENDER,LOW FUEL INDICATOR | | 49 | 824113GT | WASHER,FLAT,USS,1/4,ZAG <i>from SN 4765</i> | |
| 21 | 128081GT | ELBOW,90D,1/4FPTX3/8MPT | | 50 | 8914GT | SCREW,HHC,1/4-20 X .625 | |
| 22 | 146415GT | TANK ASSY, GAS, 30 GAL. <i>includes items 18, 19, 21, 23 and 24</i> | | 51 | 6356GT | WASHER,LOCK,.25 | |
| 23 | 146417GT | ASSY, FUEL PICKUP TUBE | | 52 | 6638GT | WASHER,FLAT,USS,1/4"Y | |
| 24 | 146413GT | GAUGE, FUEL LEVEL, 20/30 GAL | | 53 | | PUMP,AUXILIARY,DUAL,12V..... | 1 |
| 25 | 50161GT | SENSOR,TILT TURNTABLE(PLSTC)..... | 1 | | | <i>(refer to 301.1)</i> | |
| 26 | 88227PGT | FORMING,HOSE CHAFE PROTECTOR..... | 1 | 54 | 88044PGT | FORMING,TANK SUPPORT..... | 1 |
| -- | 102309GT | CLAMP,CABLE TRACK RISER,R.S. | | 55 | 71259GT | OIL COOLER W/FAN, 12VDC..... | 1 |
| -- | 88107GT | CLAMP RISER CABLETRACK-LEFT | | -- | 13918GT | SCREW,HHC,3/8-16 X 1.75,GRD.8..... | 4 |
| 27 | 6175GT | SCREW,HHC,3/8-16 X 1 | | -- | 6097GT | WASHER,FLAT,USS,3/8",Y | |
| 28 | 6097GT | WASHER,FLAT,USS,3/8",Y | | | | | |
| 29 | 29868GT | SPRING CLIP,3/8-16,.05-.20X.73,ZAG.... | 2 | | | | |

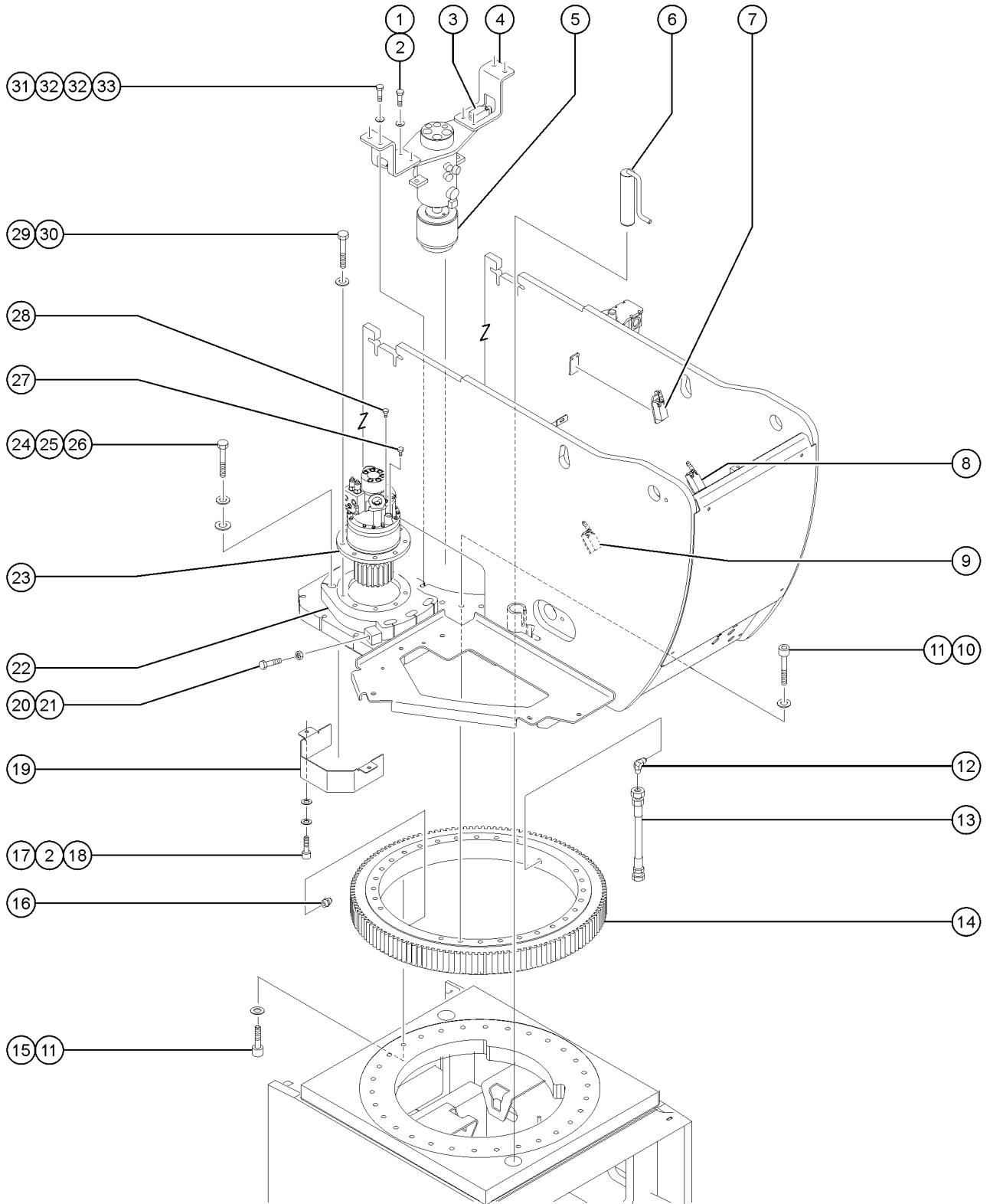
301.3 Hydraulic and Fuel Tanks - Gasoline/LPG Models (from SN 3201)
(continued)

| Item | Part No. | Description | Qty. |
|------|----------|--------------------------------|------|
| -- | 75854GT | FAN - VENTED | |
| -- | 75855GT | THERMOSTAT -OIL COOLER (71259) | |
| 56 | 8357GT | SCREW,HHC,1/2-13 X 3.5 | |
| 57 | 6095GT | WASHER,FLAT,USS,1/2",Y | |
| 58 | 6198GT | NUT,NYLOCK,1/2-13 | |

301.3 Hydraulic and Fuel Tanks - Gasoline/LPG Models (from SN 3201)
(continued)

This Page Intentionally Left Blank

302.1 Turntable Rotator and Hydraulic Rotary Coupler Installation



302.1 Turntable Rotator and Hydraulic Rotary Coupler Installation

| Item | Part No. | Description | Qty. | Item | Part No. | Description | Qty. |
|------|---------------|--|------|------|----------------|---|------|
| 1 | 6175GT | SCREW,HHC,3/8-16 X 1 | | 6 | 81834GT | WELDMENT,TRANSPORT LOCK | |
| 2 | 6021GT | WASHER,LOCK,.375 | | 7A | 1268595GT | HARNNESS,LS,OP,SEC.ANGLE.....1 <i>(from SN 2511 to 5817)</i> | 1 |
| 3 | 88368GT | HARNNESS,LS,OP,DRIVE ENABLE.....1 | | -- | 110771-41163GT | SWITCH,LIMIT,W/RLLR,NO/NC GOLD <i>for use with harness 88365; to SN 5817</i> | |
| -- | 88356-43103GT | SWITCH,LIMIT,W/RLLR ARM,NO/NC | | -- | 97128GT | ROLLER ARM,LIMIT SWITCH*** <i>for use with limit switch 110771-41163; to SN 5817</i> | |
| -- | 97128GT | ROLLER ARM,LIMIT SWITCH*** | | 7B | 1268595GT | HARNNESS,LS,OP,SEC.ANGLE <i>Replacement for previous harness part 88365 or from SN 5818</i> | |
| 4 | 60575PGT | BRACKET,HYD.ROTATOR MOUNT MNT.....2 | 2 | -- | 110771-41B63GT | SWITCH,LIMIT,W/RLLR,NO/NC,GOLD <i>for use with harness 1268595 or from SN 5818</i> | |
| 5 | 1253811GT | ASSY, HYD/ELEC 6 PORT/6 CONT.....1 <i>(from SN 4834) (complete; also replaces previous swivel assemblies 70238 and 122916) (verify swivel on machine before ordering replacement parts)</i> | 1 | -- | 128636GT | ROLLER,ARM,LIMIT SWITCH,ZCY500 <i>for use with limit switch 110771-41B63 or from SN 5818</i> | |
| -- | 10107GT | SCREW,HHC,5/16-18 X .75 <i>for use with 1253811</i> | | 8 | 88156GT | HARNNESS,LS,OP,SEC.35DEG ANGLE.....1 | 1 |
| -- | 1253697GT | MACHINED, SWIVEL MOUNTING <i>for use with 1253811</i> | | -- | 110771-41163GT | SWITCH,LIMIT,W/RLLR,NO/NC GOLD | |
| -- | 1253792GT | MACHINED, SWIVEL ANTI-ROTATION <i>for use with 1253811</i> | | -- | 97128GT | ROLLER ARM,LIMIT SWITCH*** | |
| -- | 1253808GT | SCREW,SHC,5/16-18X.75,A574,YZ <i>for use with 1253811</i> | | 9A | 88364GT | HARNNESS,LS,SAFETY,SEC.ANGLE.....1 <i>to SN 2510</i> | 1 |
| -- | 1253809GT | ASSY, ELECTRIC SWIVEL, 6 CONTA <i>for use with 1253811</i> | | -- | 110771-21163GT | SWITCH,LIMIT,W/ROLLER,NC/NC <i>to SN 2510</i> | |
| -- | 1253810GT | ASSY, HYDRAULIC SWIVEL, 6 PORT <i>for use with 1253811</i> | | -- | 97128GT | ROLLER ARM,LIMIT SWITCH*** <i>to SN 2510</i> | |
| -- | | Ref. SWIVEL,ELECTRIC 6 CONTACT*** <i>Previous electrical 6 contact part 122917 that was used on swivel part 122916 is no longer available, order replacement kit 1261987.</i> | | -- | 97231GT | CONTACTOR,LIMIT SWITCH** <i>use with 88356-21163; to SN 2510</i> | |
| -- | 1261987GT | KIT,ELECTRIC SWIVEL,6 CONTACT <i>Replacement for previous electrical 6 contact part 122917</i> | | 9B | | Ref. HARN LS SAFETY SEC ANGL LSS2AS <i>Previous harness part 146430 is no longer available, for replacement order part 1268602; from SN 2511 to SN 5817</i> | |
| -- | 1262044GT | BOOT,POWER,RECEP,2 WAY <i>Included with parts kit 1261987</i> | | -- | 110771-71168GT | LIMIT SWITCH ROLLER NC/NC/NO <i>for use with harness 1268602; from SN 2511 to 5817</i> | |
| -- | 88291GT | SWIVEL,HYDRAULIC,Z80 (70238) <i>for use with swivel assemblies 70238 and 122916</i> | | -- | 97128GT | ROLLER ARM,LIMIT SWITCH*** <i>for use with limit switch 110771-71168; from SN 2511 to SN 5817</i> | |
| -- | 88293GT | SEAL KIT,SWIVEL (88291) <i>for use with swivel assemblies 70238 and 122916</i> | | 9C | 1268602GT | HARN LS SAFETY SEC ANGL LSS2AS <i>Replacement for previous harness part 146430 or from SN 5818</i> | |
| -- | T106954GT | SEAL, O-RING LIP <i>for use with swivel assemblies 70238 and 122916</i> | | -- | 110771-71B68GT | LIMIT SWITCH ROLLER NC/NC/NO <i>for use with harness 1268602 or from SN 5818</i> | |
| -- | T106955GT | SEAL, POLY, CHAMFER <i>for use with swivel assemblies 70238 and 122916</i> | | -- | 128636GT | ROLLER,ARM,LIMIT SWITCH,ZCY500 <i>for use with limit switch 110771-71B68 or from SN 5818</i> | |
| -- | T106956GT | SEAL,O-RING,SQUARE <i>for use with swivel assemblies 70238 and 122916</i> | | 10 | 45495GT | SCREW,SHC,5/8-11 X 3.00,A574.....30 | 30 |
| -- | T106957GT | SEAL, CAP, NOTCHED <i>for use with swivel assemblies 70238 and 122916</i> | | 11 | 13064GT | WASHER,FLAT,.625 HARDENED.....48 <i>to SN 3391</i> | 48 |

302.1 Turntable Rotator and Hydraulic Rotary Coupler Installation

(continued)

| Item | Part No. | Description | Qty. | Item | Part No. | Description | Qty. |
|------|-----------|--|------|------|----------|--|------|
| -- | 13064GT | WASHER,FLAT,.625 HARDENED.....60 <i>from SN 3392</i> | | -- | 41489GT | SCREW,SHC,5/16-18 X 2,PLATED <i>manifold to motor,</i> | |
| 12 | 28646GT | ZERK,GREASE,1/8 NPT | | -- | 58304GT | SHAFT,OUTPUT <i>(Used on swing drive 1255768); from SN 5615</i> | |
| 13 | | Ref. Hose Assembly <i>(refer to 301.1)</i> | | -- | 6886GT | WASHER,LOCK,.313 <i>manifold to motor</i> | |
| 14 | 30895GT | BEARING,TURNTABLE.....1 <i>to SN 3391</i> | | 23B | | Ref. SWING DRIVE ASSEMBLY <i>Previous SWING DRIVE ASSEMBLY 139189 is no longer available, order complete assembly 1255768 for first time replacement; from SN 2493 to SN 5614</i> | |
| -- | 227785GT | BEARING TURNTABLE SEAL*** | | -- | 139308GT | SWING MOTOR COMPLETE*** <i>(Used on swing drive 139189); from SN 2493 to SN 5614</i> | |
| -- | 50035GT | BEARING,TURNTABLE <i>from SN 3392</i> | | -- | 139309GT | CBV ASSEMBLY*** <i>(Used on swing drive 139189); from SN 2493 to SN 5614</i> | |
| 15 | 20654GT | SCREW,SHC,5/8-11 X 3.50,A574.....18 <i>to SN 3391</i> | | -- | 139310GT | BRAKE TUBING*** <i>(Used on swing drive 139189); from SN 2493 to SN 5614</i> | |
| -- | 1268596GT | SCREW,SHC,5/8-11X3.5,A574,ZAG.....30 <i>from SN 3392</i> | | -- | 139311GT | KIT,FRICITION DISC*** <i>(Used on swing drive 139189); from SN 2493 to SN 5614</i> | |
| 16 | 48887GT | ELBOW,90D, 070202-4 | | -- | 139312GT | KIT,BRAKE SPRING*** <i>(Used on swing drive 139189); from SN 2493 to SN 5614</i> | |
| 17 | 8255GT | SCREW,HHC,3/8-16 X .75 | | -- | 139313GT | SEAL KIT,SWING BRAKE*** <i>(Used on swing drive 139189); from SN 2493 to SN 5614</i> | |
| 18 | 6638GT | WASHER,FLAT,USS,1/4"Y | | -- | 139314GT | KIT,SWING BRAKE REBUILD*** <i>(Used on swing drive 139189); from SN 2493 to SN 5614</i> | |
| 19 | 88314PGT | FORMING,PINION GUARD PAINTED.....1 | | -- | 139315GT | O-RING,MOTOR/BRAKE*** <i>(Used on swing drive 139189); from SN 2493 to SN 5614</i> | |
| 20 | 61128GT | SCREW,HHC,3/4-10 X 4 FULL THRD | | -- | 139323GT | VALVE,COUNTERBAL,CBCA-LIN*** <i>(Used on swing drive 139189); from SN 2493 to SN 5614</i> | |
| 21 | 6126GT | NUT,HEX,JAM,3/4-10.....1 | | -- | 21148GT | WASHER,THRUST,TORQUE HUB <i>(Used on swing drive 139189); from SN 2493 to SN 5614</i> | |
| 22 | 81516GT | PLATE,BACKLASH ADJ.MACHINED.....1 | | -- | 29290GT | SEAL KIT,FAIRFIELD (S1A2)*** <i>does not include thrust washer part 21148 (used on swing drive 139189); from SN 2493 to SN 5614</i> | |
| 23A | 1255768GT | SWING DRIVE ASSEMBLY <i>(Complete) swing drive 1255768 can be installed as a direct replacement of previous swing drives 139189, 88921, and 81367; from SN 5615</i> | | -- | 41489GT | SCREW,SHC,5/16-18 X 2,PLATED <i>manifold to motor,</i> | |
| -- | 1255769GT | SEAL KIT, SWING BRAKE <i>(Used on swing drive 1255768); from SN 5615</i> | | -- | 58304GT | SHAFT,OUTPUT <i>(Used on swing drive 139189); from SN 2493 to SN 5614</i> | |
| -- | 1255770GT | KIT, FRICTION DISC <i>(Used on swing drive 1255768); from SN 5615</i> | | -- | 58596GT | BEARING KIT,OUTER (88921) <i>(Used on swing drive 139189); from SN 2493 to SN 5614</i> | |
| -- | 1255771GT | KIT, BRAKE SPRING <i>(Used on swing drive 1255768); from SN 5615</i> | | | | | |
| -- | 1255772GT | KIT, SWING BRAKE REBUILD <i>(Used on swing drive 1255768); from SN 5615</i> | | | | | |
| -- | 1255773GT | BRAKE TUBING <i>(Used on swing drive 1255768); from SN 5615</i> | | | | | |
| -- | 139308GT | SWING MOTOR COMPLETE*** <i>(Used on swing drive 1255768); from SN 5615</i> | | | | | |
| -- | 139309GT | CBV ASSEMBLY*** <i>(Used on swing drive 1255768); from SN 5615</i> | | | | | |
| -- | 139315GT | O-RING,MOTOR/BRAKE*** <i>(Used on swing drive 1255768); from SN 5615</i> | | | | | |
| -- | 139323GT | VALVE,COUNTERBAL,CBCA-LIN*** <i>(Used on swing drive 1255768); from SN 5615</i> | | | | | |

302.1 Turntable Rotator and Hydraulic Rotary Coupler Installation

| Item | Part No. | Description | Qty. | Item | Part No. | Description | Qty. |
|------|----------|--|------|------|----------|---|------|
| -- | 58597GT | BEARING KIT,INNER (88921) <i>(Used on swing drive 139189); from SN 2493 to SN 5614</i> | | -- | 94623GT | KIT, FRICTION DISC <i>use with swing drive 88921; from SN 237 to 2492</i> | |
| -- | 6886GT | WASHER, LOCK, .313 <i>manifold to motor</i> | | -- | 94624GT | KIT, BRAKE SPRING <i>use with swing drive 88921; from SN 237 to 2492</i> | |
| -- | 83124GT | DRAIN PLUG <i>(Used on swing drive 139189); from SN 2493 to SN 5614</i> | | -- | 94625GT | SEAL KIT, SWING BRAKE <i>use with swing drive 88921; from SN 237 to 2492</i> | |
| -- | 94620GT | SEAL KIT, SWING TORQ HUB*** <i>(Used on swing drive 139189); from SN 2493 to SN 5614</i> | | -- | 94626GT | KIT, SWING BRAKE REBUILD <i>use with swing drive 88921; from SN 237 to 2492</i> | |
| 23C | | Ref. SWING DRIVE ASSEMBLY <i>Previous SWING DRIVE ASSEMBLY 88921 is no longer available, order complete assembly 1255768 for first time replacement; from SN 237 to SN 2492</i> | | 23D | | Ref. SWING DRIVE ASSEMBLY <i>Previous SWING DRIVE ASSEMBLY 81367 is no longer available, order complete assembly 1255768 for first time replacement; to SN 236</i> | |
| -- | 21148GT | WASHER, THRUST, TORQUE HUB <i>use with swing drive 88921; from SN 237 to 2492</i> | | -- | 21148GT | WASHER, THRUST, TORQUE HUB <i>use with swing drive part 81367; to SN 236</i> | |
| -- | 29290GT | SEAL KIT, FAIRFIELD (S1A2)*** <i>does not include thrust washer part 21148 (used with swing drive 88921); from SN 237 to 2492</i> | | -- | 29290GT | SEAL KIT, FAIRFIELD (S1A2)*** <i>does not include thrust washer part 21148 (used with swing drive part 81367); to SN 236</i> | |
| -- | 41489GT | SCREW, SHC, 5/16-18 X 2, PLATED <i>manifold to motor,</i> | | -- | 41489GT | SCREW, SHC, 5/16-18 X 2, PLATED <i>manifold to motor</i> | |
| -- | 45483GT | VALVE, SHUTTLE*** <i>use with swing drive 88921; from SN 237 to 2492</i> | | -- | 45483GT | VALVE, SHUTTLE*** <i>use with swing drive part 81367; to SN 236</i> | |
| -- | 58387GT | O-RING, MOTOR/BRAKE (88921)*** <i>use with swing drive 88921; from SN 237 to 2492</i> | | -- | 53999GT | MOTOR, TURNTABLE ROTATE** <i>use with swing drive part 81367; to SN 236</i> | |
| -- | 58596GT | BEARING KIT, OUTER (88921) <i>use with swing drive 88921; from SN 237 to 2492</i> | | -- | 65616GT | SEAL KIT PWR WHL MOTOR <i>use with swing motor 53999 on swing drive 81367; to SN 236</i> | |
| -- | 58597GT | BEARING KIT, INNER (88921) <i>use with swing drive 88921; from SN 237 to 2492</i> | | -- | 65618GT | SEAL KIT, BRAKE*** <i>use with swing drive part 81367; to SN 236</i> | |
| -- | 65616GT | SEAL KIT PWR WHL MOTOR <i>use with swing motor 94621 on swing drive 88921; from SN 237 to 2492</i> | | -- | 6886GT | WASHER, LOCK, .313 <i>manifold to motor</i> | |
| -- | 6886GT | WASHER, LOCK, .313 <i>manifold to motor</i> | | -- | 81331GT | BRAKE, 900 IN*LB <i>use with swing drive part 81367; to SN 236</i> | |
| -- | 81366GT | MANIFOLD, SWING CB & BRAKE <i>use with swing drive 88921; from SN 237 to 2492</i> | | -- | 81366GT | MANIFOLD, SWING CB & BRAKE <i>use with swing drive part 81367; to SN 236</i> | |
| -- | 83009GT | VALVE, COUNTERBALANCE(81366)*** <i>use with swing drive 88921; from SN 237 to 2492</i> | | -- | 83009GT | VALVE, COUNTERBALANCE(81366)*** <i>use with swing drive part 81367; to SN 236</i> | |
| -- | 94621GT | SWING MOTOR, COMPLETE*** <i>use with swing drive 88921; from SN 237 to 2492</i> | | 24 | 88212GT | SCREW, SHC, 3/4-10 X 3.00, A574.....6 | |
| -- | 94622GT | BRAKE PORT HARDLINE <i>use with swing drive 88921; from SN 237 to 2492</i> | | 25 | 34550GT | WASHER, LOCK, .75 PLTD | |
| | | | | 26 | 33278GT | WASHER, FLAT, .75 HARDENED.....6 | |
| | | | | 27 | 109802GT | PLUG, ORB #6 <i>use with swing drive</i> | |
| | | | | 28 | 39882GT | PLUG, HEX SOCKET, 090109B-4 <i>use with swing drive (top plug)</i> | |
| | | | | 29 | 94747GT | SCREW, HHC, 1/2-13 X 1.75 GRD 8.....6 | |
| | | | | 30 | 13066GT | WASHER, FLAT, .5 HARDENED.....6 | |
| | | | | 31 | 6605GT | SCREW, HHC, 3/8-16 X 3.5, GR5 | |

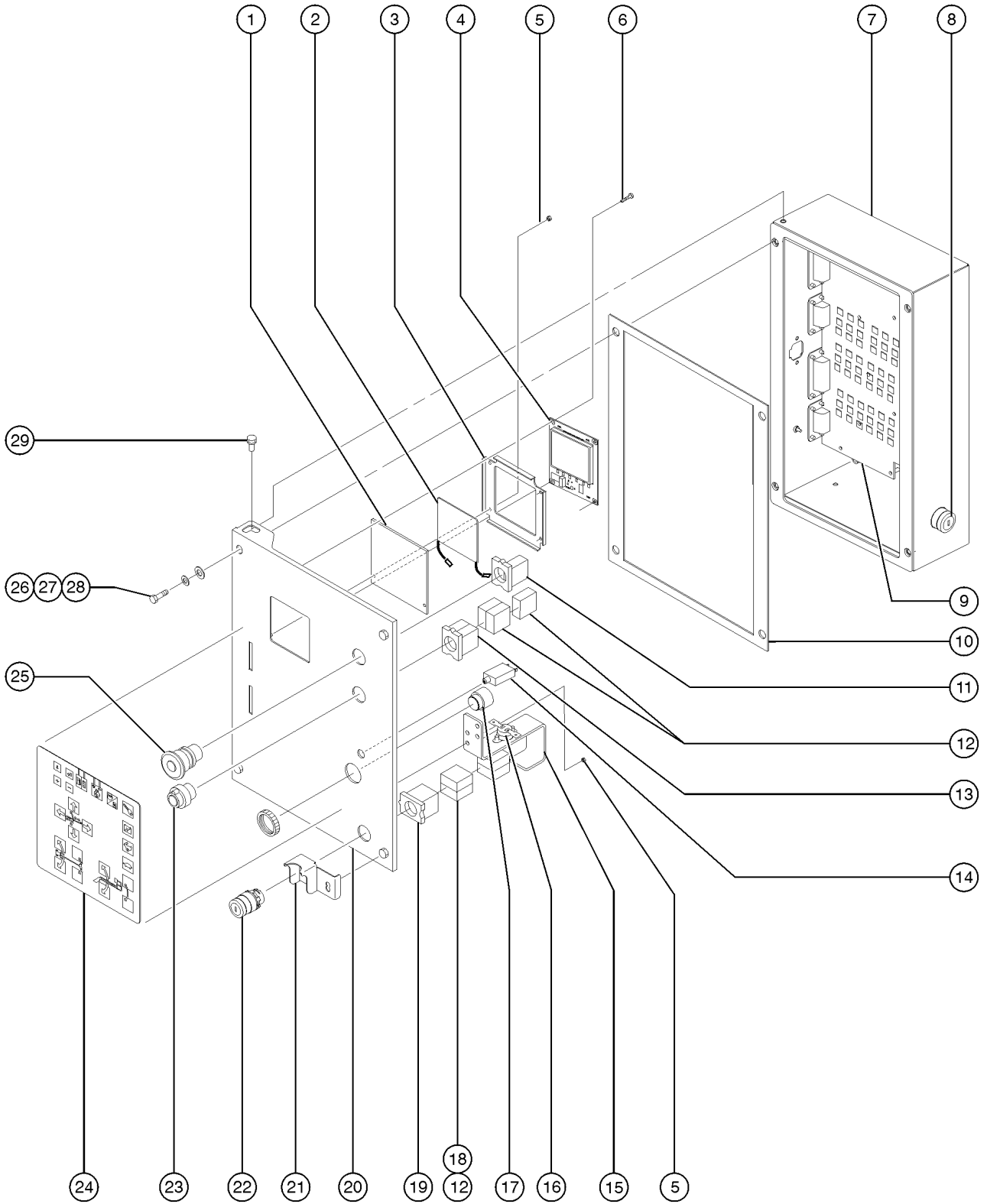
302.1 Turntable Rotator and Hydraulic Rotary Coupler Installation
(continued)

| Item | Part No. | Description | Qty. |
|------|----------|------------------------|------|
| 32 | 6095GT | WASHER,FLAT,USS,1/2",Y | |
| 33 | 4828GT | NUT,NYLOCK,3/8-16 | |

302.1 Turntable Rotator and Hydraulic Rotary Coupler Installation
(continued)

This Page Intentionally Left Blank

303.1 Ground Control Box - View 1



303.1 Ground Control Box - View 1

| Item | Part No. | Description | Qty. | Item | Part No. | Description | Qty. |
|------|-----------|---|------|------|-----------|--|------|
| -- | 77510GT | GRND BOX,COMPLETE ASSY Z80 <i>Complete to SN 257, to order provide model, serial number and software revision</i> | | 9D | 146360GT | PCB ASSY,ECM,Z80 TCON,V105 <i>from SN 2501 to 2510, to order provide model, serial number, and software revision</i> | |
| -- | 94628GT | GRND BOX,COMPLETE Z80 REV 102 <i>Complete from SN 258 to 453, to order provide model, serial number, and software revision</i> | | 9E | 146392GT | PCB ASSY,ECM,Z80 TCON,V2.00 <i>from SN 2511 to 4088, to order provide model, serial number, and software revision</i> | |
| -- | 102487GT | GRND BOX,COMPLETE Z80 REV 103 <i>Complete from SN 454 to 927, to order provide model, serial number, and software revision</i> | | 9F | 219419GT | PCB ASSY,ECM,Z80 TCON,V2.03 <i>from SN 4089, to order provide model, serial number, and software revision</i> | |
| -- | 230999GT | CONTROL BOX ASSY,TCON,Z80 <i>Complete from SN 928, to order provide model, serial number, and software revision</i> | | 10 | 88177GT | GASKET,GROUND CONTROL BOX.....1 | |
| -- | 88141GT | HARNESS,GROUND PANEL <i>to SN 3910</i> | | 11 | 66821GT | BASE,WITHOUT CONTACTS.....1 | |
| -- | 230996GT | HARNESS,GROUND CONTROL,Z80 <i>from SN 3911</i> | | -- | 66818GT | CONTACT, N.C. | |
| 1 | 62374GT | LENS,LCD,GRND.CONTROL.....1 | | -- | 66821GT | BASE,WITHOUT CONTACTS | |
| 2 | 122406GT | ASSEMBLY,LCD HEATER ALC1000 <i>LCD heater option (transparent heater)</i> | | 12 | 66816GT | CONTACT,N.O.***5 | |
| -- | 122258GT | FIELD KIT,LCD HEATER <i>LCD heater option; to SN 3910</i> | | -- | 66821GT | BASE,WITHOUT CONTACTS.....1 | |
| -- | 231023GT | FIELD KIT,LCD HEATER,Z80 Z135 <i>from SN 3911</i> | | 13 | 66818GT | CONTACT, N.C. | |
| 3 | 62375GT | CLIP,LCD,GRND.CONTROL.....1 | | -- | 122367GT | KEYSWITCH,DUMMY BLOCK | |
| 4 | 88056GT | PCB.ASSY,LCD,GROUND.....1 | | 14 | 147095GT | ASSY, CIRCUIT BREAKER 20A.....1 <i>includes mounting nut</i> | |
| 5 | 12344GT | NUT,NYLOCK,6-32 | | 15 | 94524PGT | BRACKET,CONTACT CLAMP***1 <i>use if the LCD heater option is not installed</i> | |
| 6 | 81551GT | SCREW,PHIL,PHM,6-32 X 1/4 SS | | -- | 122792GT | ASSY,BRACKET,KS CONTACT BLOCK <i>part of LCD heater option (includes thermostat switch item 122793); to SN 3910</i> | |
| 7 | 77509GT | GROUND CONTROL BOX,ASS (Z80)....1 <i>includes items 10 and 20; to SN 995</i> | | -- | 231020GT | ASSY,BRACKET,CONTACT BLOCK <i>part of LCD heater option (includes thermostat switch item 122793); from SN 3911</i> | |
| -- | 122128PGT | GROUND CONTROL BOX,PTD <i>(box only); from SN 996 to SN 3910</i> | | 16 | 122793GT | SWITCH,THERMOSTAT 60F OPEN.....1 <i>LCD heater option</i> | |
| -- | 230997GT | BOX,GROUND CONTROL,Z80 <i>(box only); from SN 3911</i> | | -- | 6272GT | RIVET,STL,STL,P,.125 X .25 <i>LCD heater option</i> | |
| -- | 88098PGT | BOX,GROUND CONTROL,PAINT <i>(box only); to SN 995</i> | | 17 | 62379GT | ALARM,AUDIO,SUPERBOOM***1 | |
| 8 | 88150GT | KEYSWITCH,3 POS.MOM.DR,W/KEY** <i>from SN 3911 (recovery switch)</i> | | -- | 72326GT | NUT - PLASTIC,RING FOR ALARMS | |
| -- | 88317GT | BASE,W/3 N.C.& 3 N.O. <i>from SN 3911</i> | | 18 | 122366GT | KEYSWITCH,CONTACTS LOCK.....2 | |
| 9 | 88055-SGT | PCB,ASSY,ECM,GROUND VER 1.01.....1 <i>to SN 257</i> | | 19 | 66818GT | CONTACT, N.C.....1 | |
| 9A | 122784GT | PCB ASSY,ECM,Z80,TCON,V102 <i>from SN 258 to 453, to order provide model, serial number and software revision</i> | | 20 | 88097PGT | LID,GROUND CONTROL BOX,PAINT.....1 <i>to SN 995</i> | |
| 9B | 122785GT | PCB ASSY,ECM,Z80 TCON,V103 <i>from SN 454 to 927, to order provide model, serial number and software revision</i> | | -- | 122127PGT | LID,GROUND CONTROL BOX <i>from SN 996 to SN 3910</i> | |
| 9C | 122786GT | PCB ASSY,ECM,Z80 TCON,V104 <i>from SN 928 to 2500, to order provide model, serial number, and software revision</i> | | -- | 230998GT | LID,GROUND CONTROL,Z80 <i>from SN 3911</i> | |
| | | | | 21 | 215590GT | WELDMENT,KEYSWITCH COVER.....1 | |
| | | | | 22 | 122516GT | KIT,RECOVERY SVC LARGE BOOMS...1 <i>to SN 213</i> | |
| | | | | -- | 21982GT | KEY,SINGLE*** <i>to SN 213</i> | |
| | | | | -- | 88150GT | KEYSWITCH,3 POS.MOM.DR,W/KEY** <i>from SN 214 to 3910 (refer to item 8 for new location)</i> | |

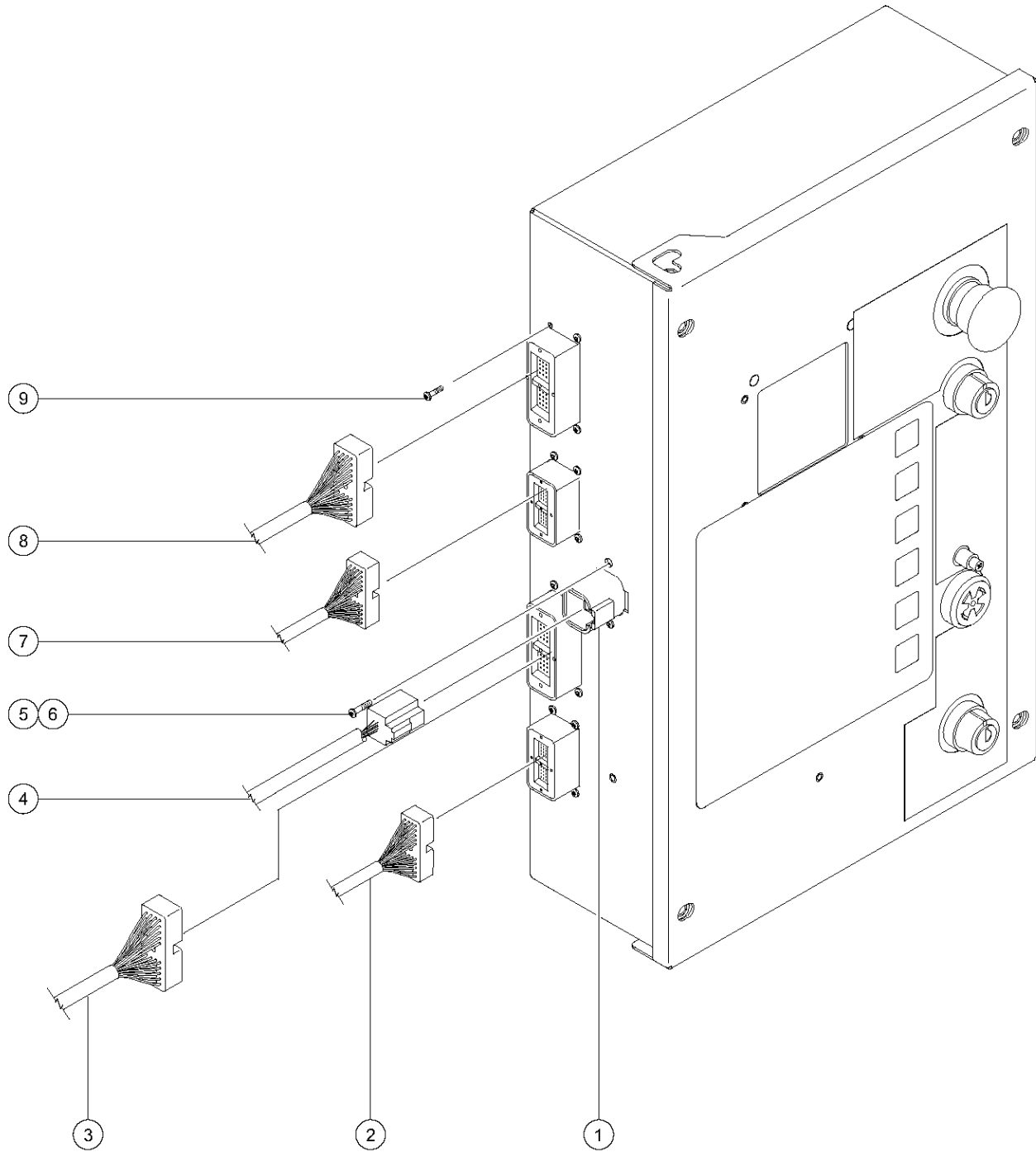


303.1 Ground Control Box - View 1
(continued)

| Item | Part No. | Description | Qty. |
|------|----------|--|------|
| -- | 88317GT | BASE,W/3 N.C.& 3 N.O. <i>from SN 214 to 3910 (refer to item 8 for new location)</i> | |
| 23 | 122515GT | KIT,KEYSWITCH SVC LARGE BOOM....1 | |
| -- | 122366GT | KEYSWITCH,CONTACTS LOCK | |
| -- | 66811GT | KEYSWITCH,3POS.MNTND.DR WKEY** <i>includes keyswitch and two keys, not included: base and contacts.</i> | |
| -- | 218169GT | OPT, KEY SWITCH, RETAINED <i>option; includes keyswitch 218155</i> | |
| -- | 218155GT | KEYSWITCH, LOCKING, 3 POS, W/KEY <i>part of option 218169</i> | |
| 24 | 88057GT | SWITCH,MEMBRANE,GROUND CONTROL.....1 | |
| 25 | 122519GT | KIT,ESTOP SVC LARGE BOOM.....1 | |
| -- | 146478GT | BOOT(BELLOWS),E-STOP,BLACK | |
| -- | 66812GT | BUTTON,PUSH,RED MUSHROOM HEAD | |
| 26 | 7339GT | SCREW,HHC,1/4-20 X .5 | |
| 27 | 6356GT | WASHER,LOCK,.25 | |
| 28 | 6638GT | WASHER,FLAT,USS,1/4"Y | |
| 29 | 8914GT | SCREW,HHC,1/4-20 X .625 | |

This Page Intentionally Left Blank

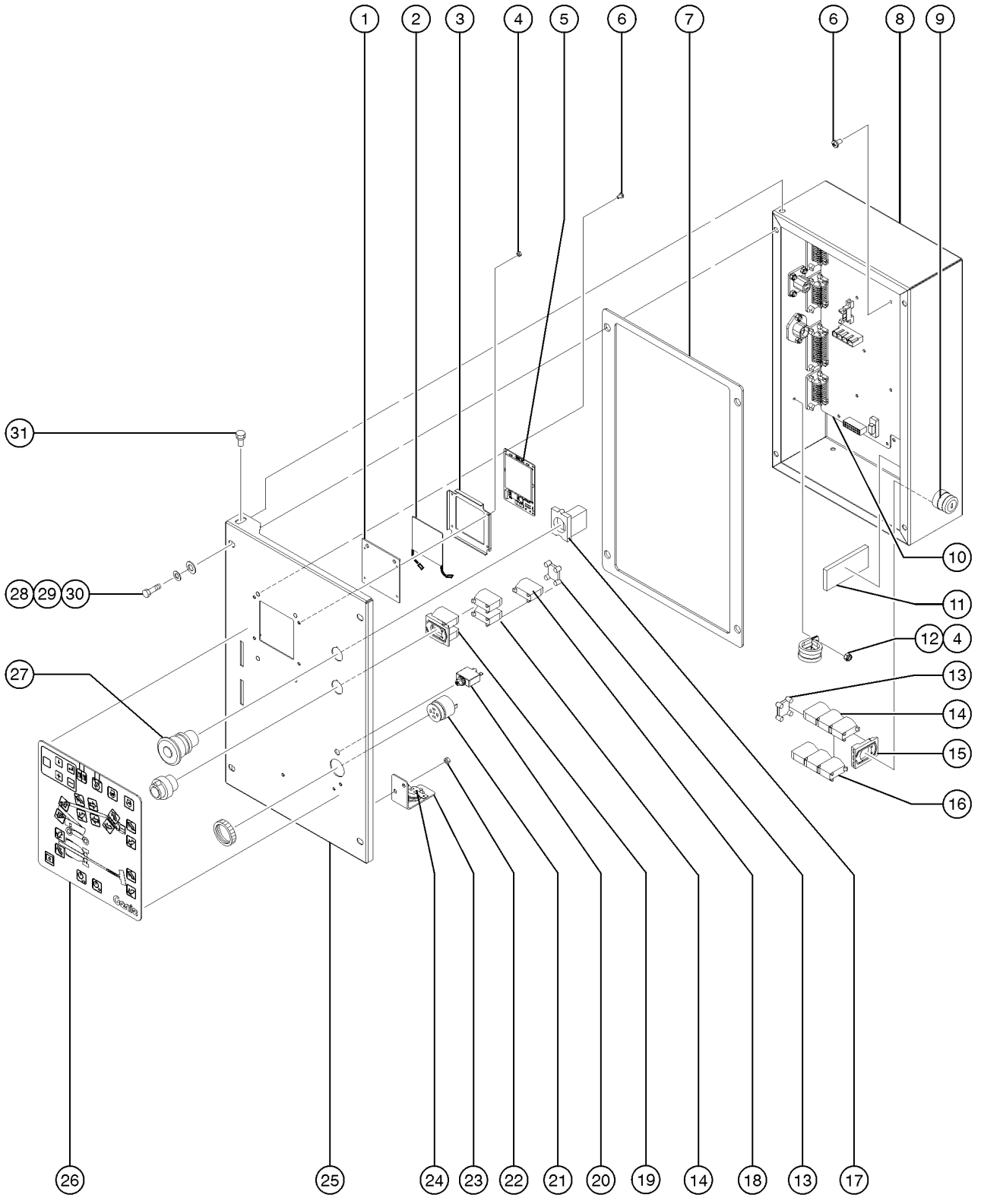
303.2 Ground Control Box - View 2



303.2 Ground Control Box - View 2

| Item | Part No. | Description | Qty. |
|------|-----------|--|------|
| A | 1274637GT | HARNESS, JUMPER, CAN, TIER 3 <i>from SN 6188 (telematics)</i> | |
| 1 | 73717GT | CONN,RECEP 4 WAY,12-14GA FL***.....1 | |
| -- | 88141GT | HARNESS,GROUND PANEL | |
| 2 | 88132GT | HARNESS,SECONDARY,BOOM CABLE.....1 <i>Secondary half of boom cable, connects to 88131GT, (refer to 602.1); to SN 2510</i> | |
| -- | 1253170GT | HARNESS, SEC BOOM SAE 11C, Z80 <i>from SN 4765</i> | |
| -- | 146426GT | HARNESS SEC BOOM SAE 11C 2010 <i>from SN 2511 to 4764</i> | |
| 3A | 88133GT | HARNESS,LOWER SWITCH.....1 <i>to SN 2510</i> | |
| 3B | 146428GT | HARNESS TCON LIMIT SW Z80 2010 <i>from SN 2511 to 6187</i> | |
| 3C | 1264458GT | HARNESS, SWITCH, LIMIT, TCON <i>from SN 6188</i> | |
| 4 | 88137GT | HARNESS,POWER Z-80.....1 | |
| -- | 60527GT | CONN,PLUG 4 WAY,12-14GA | |
| 5 | 49820GT | SCREW,PHILLIPS,PHM,6-32 X .5 | |
| 6 | 12344GT | NUT,NYLOCK,6-32 | |
| 7 | 88134GT | HARNESS,DEUTZ ENGINE,F4L913.....1 <i>Deutz models; to SN 338</i> | |
| -- | 101848GT | HARNESS,DEUTZ ENGINE,BF4L2011 <i>Deutz models; from SN 339</i> | |
| -- | 101891GT | HARNESS,PERKINS ENGINE,804 <i>Perkins models; from SN 329 to 4781</i> | |
| -- | 101892GT | HARNESS,FORD ENGINE,Z80 <i>Ford models</i> | |
| -- | 111839GT | HARNESS,CONTINENTAL ENG,TME27 <i>Continental models</i> | |
| -- | 1253172GT | HARNESS,ENG,PERKINS, 804, Z80 <i>Perkins models; from SN 4782</i> | |
| -- | 1253210GT | CIRCUIT BRKR THERM AUTORESET 6 <i>Perkins models; from SN 4782</i> | |
| -- | 60513GT | CONN,PLUG 23 WAY,16-20 GA WHT | |
| -- | 88135GT | HARNESS,PERKINS ENGINE,704-30 <i>Perkins models; to SN 328</i> | |
| -- | 88136GT | HARNESS,GM ENGINE Z-80 <i>GM models</i> | |
| 8 | 88138GT | HARNESS,TCON J4 MANIFOLD.....1 <i>to SN 2510</i> | |
| -- | 146427GT | HARNESS TCON MANIFOLD Z80 2010 <i>from SN 2511</i> | |
| 9 | 122351GT | SCREW,#4X1/4,HI-LO,PH PHIL,TAP | |

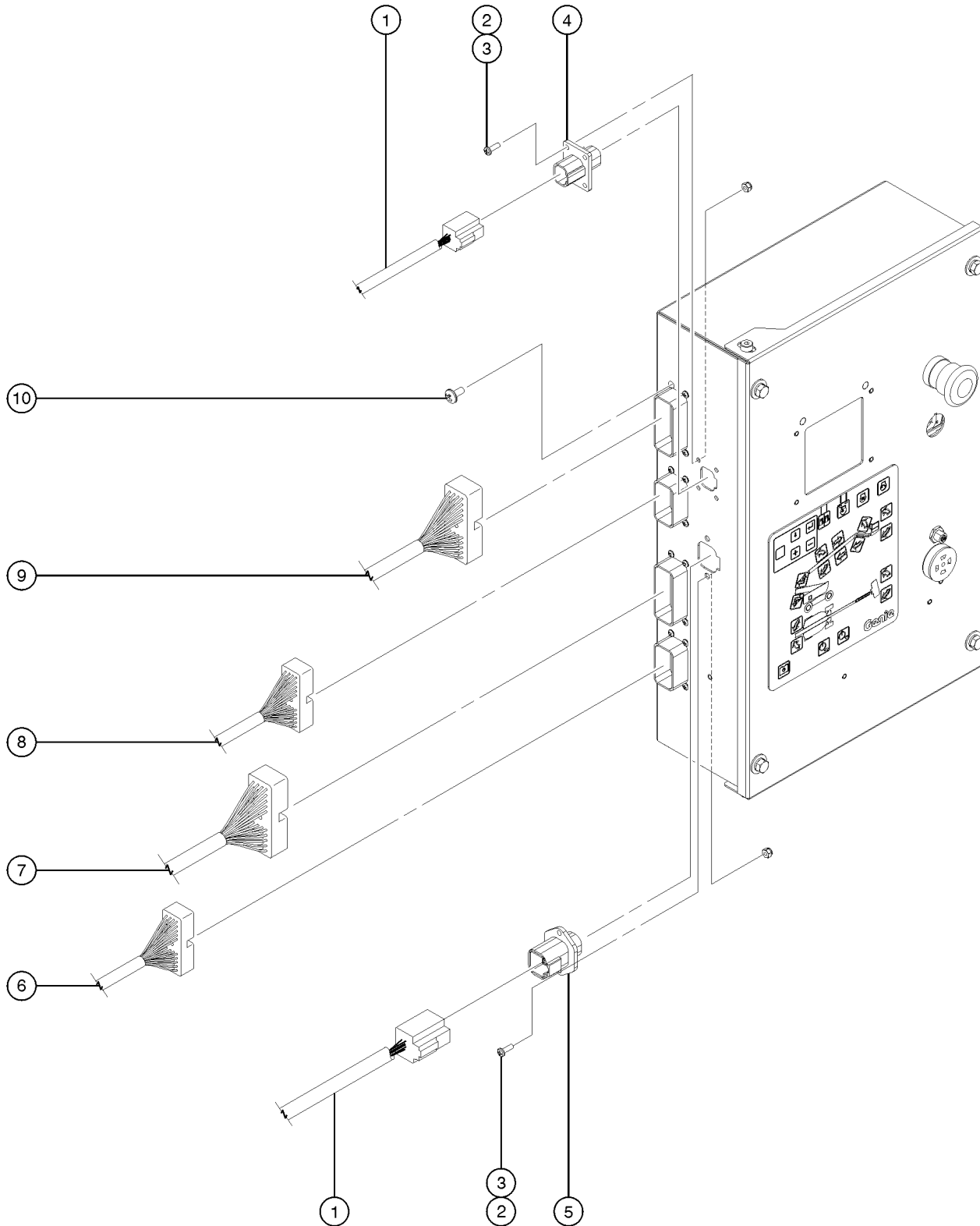
304.1 Ground Controls Box (Perkins 404F-22T and Deutz TD 2.9L4) - View 1



304.1 Ground Controls Box (Perkins 404F-22T and Deutz TD 2.9L4) - View 1

| Item | Part No. | Description | Qty. |
|------|-----------|---|------|
| 1 | 62374GT | LENS,LCD,GRND.CONTROL.....1 | 1 |
| 2 | 122406GT | ASSEMBLY,LCD HEATER ALC1000.....1 | 1 |
| -- | 231023GT | FIELD KIT,LCD HEATER,Z80 Z135 | |
| 3 | 62375GT | CLIP,LCD,GRND.CONTROL.....1 | 1 |
| 4 | 18605GT | NUT,NYLOCK,8-32.....6 | 6 |
| 5 | 823804GT | PCB, ECM, ASSY, CAN GATEWAY, Z.....1 | 1 |
| 6 | 81551GT | SCREW,PHIL,PHM,6-32 X 1/4 SS.....16 | 16 |
| 7 | 88177GT | GASKET,GROUND CONTROL BOX.....1 | 1 |
| 8 | 1251701GT | BOX, GROUND CONTROL.....1 | 1 |
| 9 | 88150GT | KEYSWITCH,3 POS.MOM.DR,W/KEY**.....1 | 1 |
| 10 | 219420GT | PCB,ASSY,ECM,GROUND,V2.06.....1 | 1 |
| 11 | 30997GT | CORROSION INHIBITOR,FOAM.....1 | 1 |
| 12 | 13268GT | CLAMP,0.75,#12 X 1/4,RUB CUSH.....2 | 2 |
| 13 | 122366GT | KEYSWITCH,CONTACTS LOCK.....2 | 2 |
| 14 | 66818GT | CONTACT, N.C.....6 | 6 |
| 15 | 66821GT | BASE,WITHOUT CONTACTS.....1 | 1 |
| 16 | 66816GT | CONTACT,N.O.***.....3 | 3 |
| 17 | 66817GT | BASE WITH 1 NC CONTACT, E-STOP...1 | 1 |
| 18 | 122367GT | KEYSWITCH,DUMMY BLOCK.....1 | 1 |
| 19 | 73805GT | BASE,W/2 NC CONTACTS***.....1 | 1 |
| 20 | 147095GT | ASSY, CIRCUIT BREAKER 20A.....1 | 1 |
| -- | 122994GT | NICKEL PLATED JAM NUT | |
| -- | 147090GT | CIRCUIT BREAKER, 15A | |
| -- | 6700GT | WASHER,STAR,EXTERNAL,,375 | |
| 21 | 62379GT | ALARM,AUDIO,SUPERBOOM***.....1 | 1 |
| -- | 45383GT | ALARM,WARBLE TONE 5-30 VDC*** | |
| -- | 72326GT | NUT - PLASTIC,RING FOR ALARMS | |
| 22 | 12344GT | NUT,NYLOCK,6-32 | |
| 23 | 231020GT | ASSY,BRACKET,CONTACT BLOCK.....1 <i>part of LCD heater option (includes thermostat switch item 122793)</i> | 1 |
| 24 | 122793GT | SWITCH,THERMOSTAT 60F OPEN | |
| -- | 6272GT | RIVET,STL,STL,P,.125 X .25 | |
| 25 | 1253304GT | LID,GROUND CONTROL,Z135.....1 | 1 |
| 26 | 88057GT | SWITCH,MEMBRANE,GROUND CONTROL.....1 | 1 |
| 27 | 66812GT | BUTTON,PUSH,RED MUSHROOM HEAD.....1 | 1 |
| -- | 58627GT | NUT | |
| 28 | 6888GT | SCREW,HHC,1/4-20 X 1.....4 | 4 |
| 29 | 6356GT | WASHER,LOCK,.25.....4 | 4 |
| 30 | 6638GT | WASHER,FLAT,USS,1/4"Y.....4 | 4 |
| 31 | 88315GT | SCREW,SHS,1/4-20 X .25 ZINC.....2 | 2 |

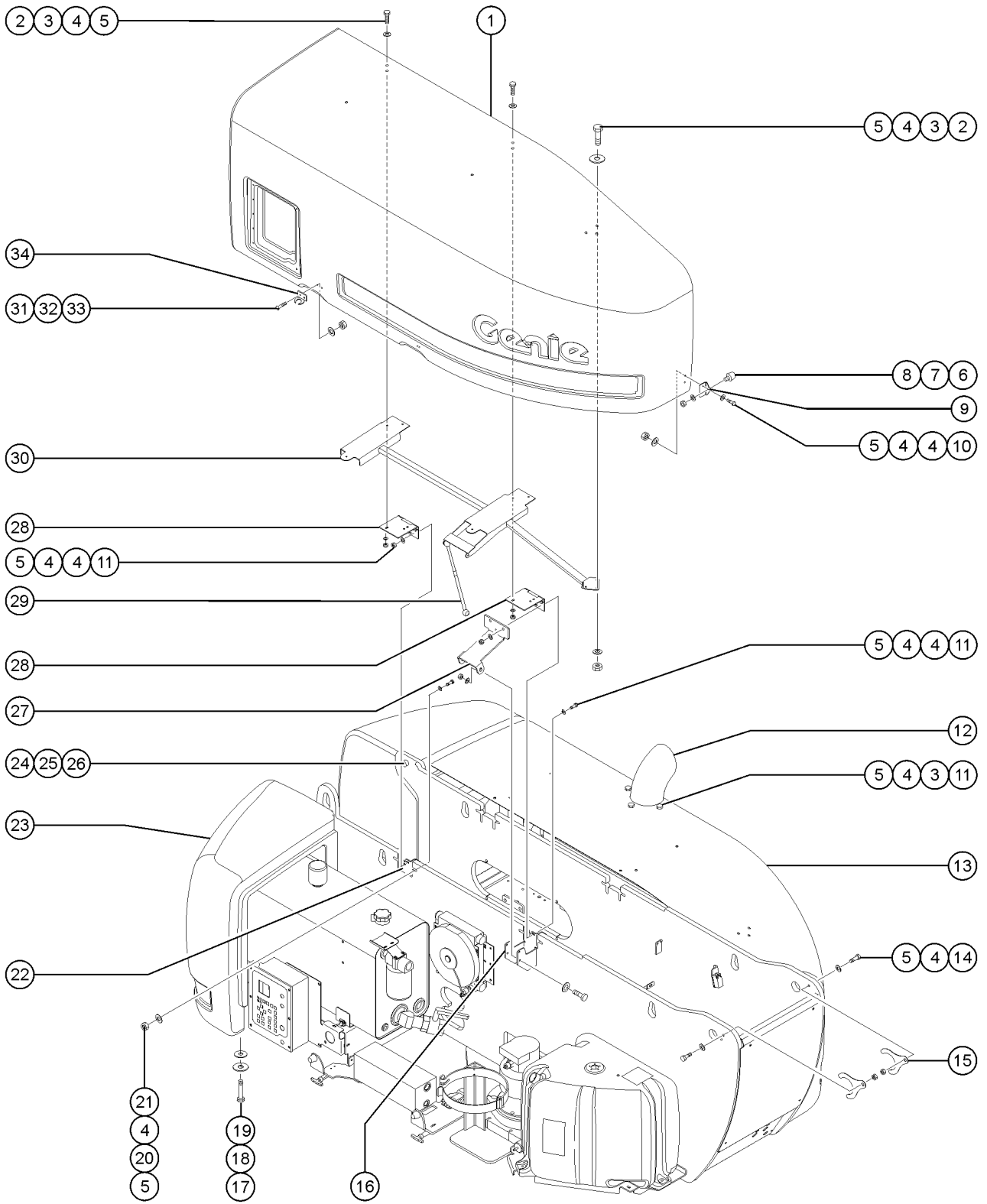
304.2 Ground Controls Box (Perkins 404F-22T and Deutz TD 2.9L4) - View 2



304.2 Ground Controls Box (Perkins 404F-22T and Deutz TD 2.9L4) - View 2

| Item | Part No. | Description | Qty. |
|------|-----------|--|------|
| 1 | 826635GT | HARNESS, GROUND BOX, TIER IV,.....2 | |
| -- | 60526GT | LOCK,RECEP 4 WAY,12-14GA | |
| 2 | 55906GT | SCREW,PHILLIPS,PHM,8-32 X .5.....6 | |
| 3 | 18605GT | NUT,NYLOCK,8-32.....6 | |
| 4 | 73723GT | CONN RECEP,FLANGED.....1 | |
| 5 | 73717GT | CONN,RECEP 4 WAY,12-14GA FL***1 | |
| 6 | 1253170GT | HARNESS, SEC BOOM SAE 11C, Z80..1 | |
| 7A | 146428GT | HARNESS TCON LIMIT SW Z80 2010...1 <i>to SN 6187</i> | |
| 7B | 1264458GT | HARNESS, SWITCH, LIMIT, TCON <i>from SN 6188</i> | |
| 8A | 826636GT | HARNESS, DEUTZ 2.9, Z80.....1 <i>For Deutz TD 2.9L4</i> | |
| -- | 119762GT | CONN PLUG 4 WAY EXTEND DT | |
| 8B | 826637GT | HARNESS,PERKINS,TIER4,Z80.....1 <i>For Perkins 404F-22T</i> | |
| -- | 119762GT | CONN PLUG 4 WAY EXTEND DT | |
| 9 | 146427GT | HARNESS TCON MANIFOLD Z80 2010.....1 | |
| 10 | 122351GT | SCREW,#4X1/4,HI-LO,PH PHIL,TAP....16 | |

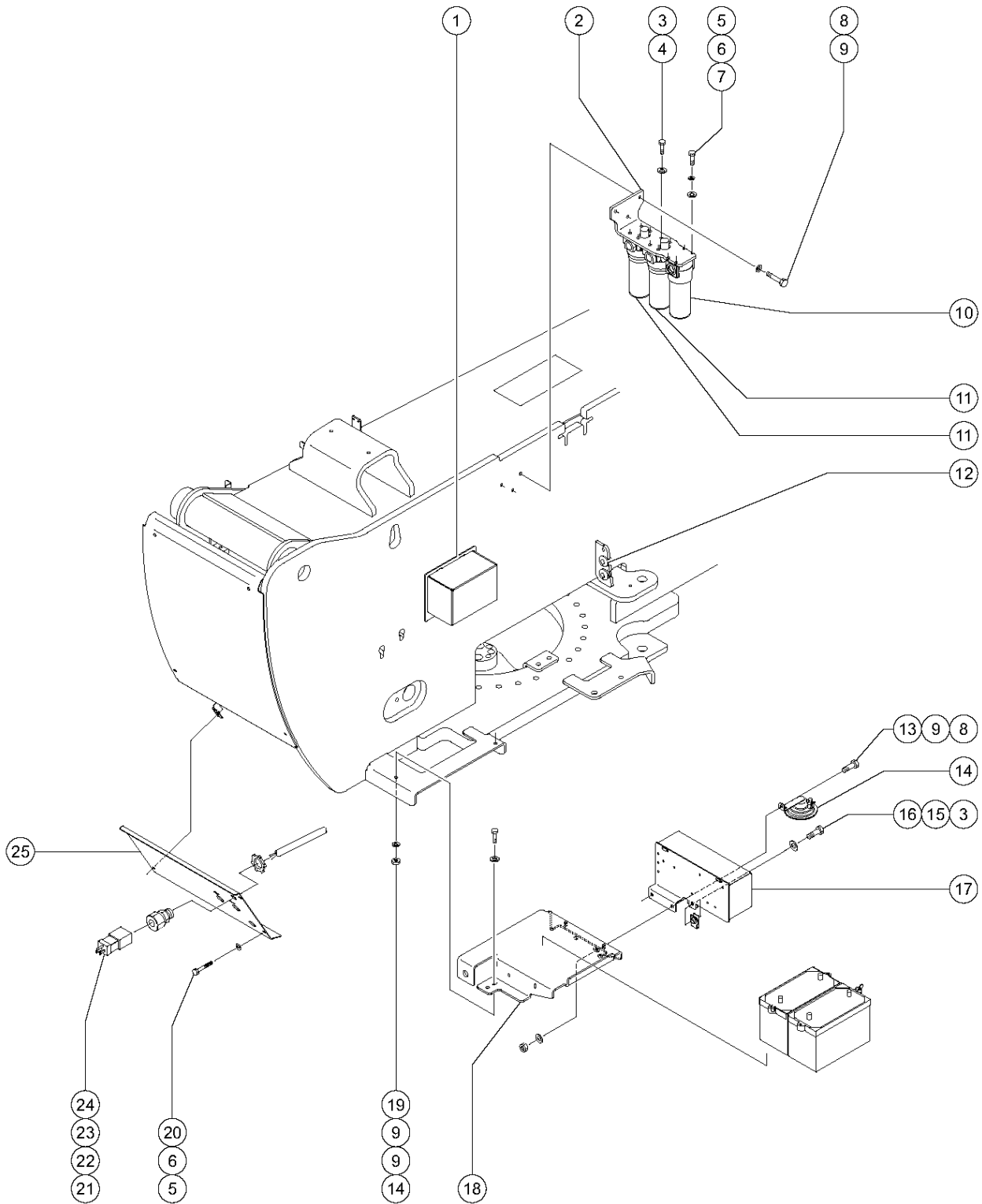
305.1 Turntable Covers



305.1 Turntable Covers

| Item | Part No. | Description | Qty. | Item | Part No. | Description | Qty. |
|------|-----------|--|------|------|----------|---------------------------------|------|
| 1 | 101535GT | COVER ASSY.WORD DECALS LH Z80.....1 <i>to SN 800</i> | | -- | 33555GT | BALL STUD** | |
| -- | 101405GT | COVER ASSY W/ SYMBOL DECALS LH | | -- | 6002GT | NUT,LP NYLOCK,5/16-18 | |
| -- | 111353GT | Z80 LH COVER ASSY W/WRD DECALS <i>from SN 801</i> | | 30 | 81874GT | WELDMENT,LEFT COVER SUPPORT...1 | |
| -- | 139648GT | PLUG,5/16 X .490",BLK | | -- | 81876GT | WELDMENT,RIGHT COVER SUPPORT | |
| -- | 54723GT | PLUG,1/4 X .400",BLK | | 31 | 49816GT | SCREW,PHILLIPS,PHM,10-32 X .75 | |
| -- | 75076GT | KEEPER,LATCH (45363) | | 32 | 25926GT | WASHER,FLAT,M6 PLTD. | |
| -- | 81197GT | PLUG,ENGINE COVER | | 33 | 6178GT | NUT,NYLOCK,10-32 | |
| -- | 81329GT | PLUG,ALARM BEACON HOLE | | 34 | 75076GT | KEEPER,LATCH (45363) | |
| 2 | 8915GT | SCREW,HHC,1/4-20 X 1.25 | | 35 | 6021GT | WASHER,LOCK, .375 | |
| 3 | 12906GT | WASHER,FENDER, .25 X 1.25 X.062 | | | | | |
| 4 | 6638GT | WASHER,FLAT,USS,1/4"Y | | | | | |
| 5 | 6091GT | NUT,NYLOCK,1/4-20 | | | | | |
| 6 | 30973GT | BUMPER,RUBBER-1 X 1.25.....2 | | | | | |
| 7 | 5397GT | WASHER,FLAT,USS,5/16",Y | | | | | |
| 8 | 6782GT | NUT,NYLOCK,5/16-18 | | | | | |
| 9 | 88106PGT | FORMING,COVER STOP,PAINT.....2 | | | | | |
| 10 | 6090GT | SCREW,HHC,1/4-20 X .75 | | | | | |
| 11 | 6888GT | SCREW,HHC,1/4-20 X 1 | | | | | |
| 12 | 101964GT | WELDMENT,EXHAUST TUBE.....1 | | | | | |
| 13 | 102969GT | COVER ASSY,W/WRD DECALS-RH Z80.....1 | | | | | |
| -- | 102970GT | COVER ASSY,W/SYM DECALS-RH Z80 | | | | | |
| -- | 81197GT | PLUG,ENGINE COVER | | | | | |
| -- | 81329GT | PLUG,ALARM BEACON HOLE | | | | | |
| 14 | 5224GT | SCREW,HHC,3/8-16 X 2 | | | | | |
| 15 | T110762GT | SHIM,2.27 X .06 | | | | | |
| 16 | 81869PGT | FORMING,HINGE MOUNT.....2 | | | | | |
| 17 | 42229GT | SCREW,HHC,1-8 X 3.5 | | | | | |
| 18 | 29605GT | WASHER,LOCK,1" | | | | | |
| 19 | 122489GT | WASHER,FLAT,HRD,1.063X2X.134.....3 | | | | | |
| 20 | 6356GT | WASHER,LOCK, .25 | | | | | |
| 21 | 6637GT | SCREW,HHC,1/4-20 X 1.75 | | | | | |
| 22 | 81868PGT | FORMING,HINGE MOUNT.....2 | | | | | |
| 23 | 61415GT | COUNTERWEIGHT,Z80 7250LBS.....1 | | | | | |
| 24 | 51428GT | SCREW,HHC,3/4-10 X 2.75 | | | | | |
| 25 | 13635-4GT | WASHER,SPINDLE, 500 LB BOOM.....2 | | | | | |
| 26 | 34550GT | WASHER,LOCK, .75 PLTD | | | | | |
| 27 | 88240GT | FORMING,STRUT SUPPORT | | | | | |
| 28 | 75073GT | HINGE, .375X.120THK.,SLOTTED.....2 | | | | | |
| 29 | 28301GT | GAS STRUT,250 LBS FORCE***4 | | | | | |
| -- | 27377GT | RETAINER,GAS SPRING*** | | | | | |

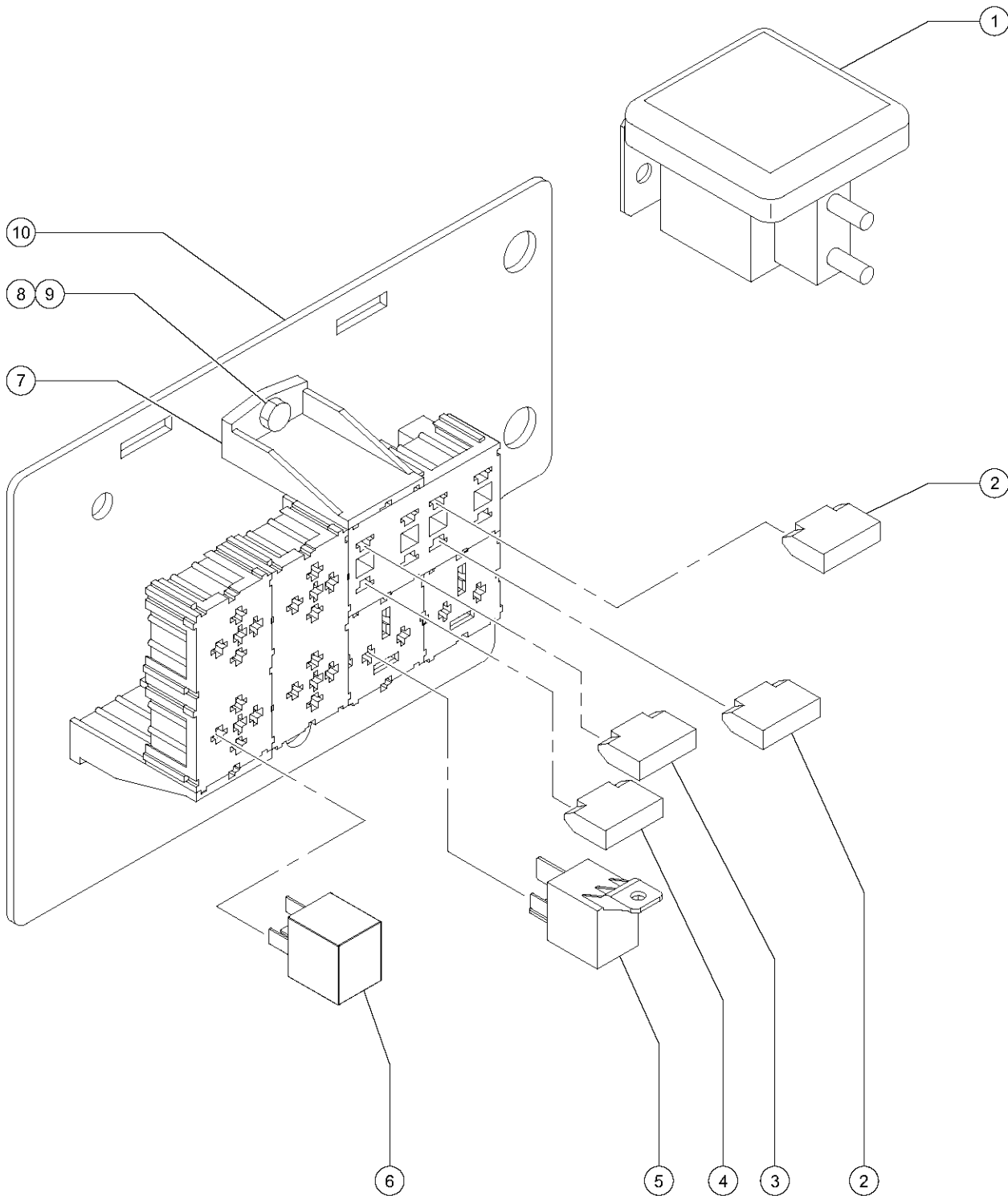
306.1 Turntable Components, Engine Side



306.1 Turntable Components, Engine Side

| Item | Part No. | Description | Qty. | Item | Part No. | Description | Qty. |
|------|-----------|---|------|------|-----------|---|------|
| 1 | 102951GT | Z80 RELAY COVER W/WORD DECAL...1 <i>to SN 328</i> | | 18 | | Ref. Battery Tray Mount (refer to 431.1) | |
| -- | 102952GT | RELAY COVER ASSY W/DECAL <i>from SN 329 to SN 776</i> | | 19 | 8516GT | SCREW, HCC, 3/8-16 X 1.50 | |
| -- | 229567GT | PLUG,SANTOPRENE .5 BLACK DOME | | 20 | 56912GT | SPRING CLIP,1/4-20,.025-.15X.54,ZAG.....4 | |
| -- | 88265PGT | PLATE,RELAY MOUNT | | 21 | 6595GT | PLUG,ELECTRICAL,DOMESTIC.....1 | |
| -- | 88266PGT | COVER,RELAY | | -- | | FUSE,13 AMP,220V PLUG <i>(component no longer available) refer to BS1362 BUSS TDC180-13A</i> | |
| 2 | 88085PGT | FORMING,FILTER BRACKET,P.....1 | | -- | 119404GT | CONN,RECEP 120AC/15A DOMESTIC | |
| 3 | 6175GT | SCREW,HHC,3/8-16 X 1 | | -- | 1280665GT | PLUG, TYPE F, 230A, 50HZ, 16A, IP44 | |
| 4 | 6021GT | WASHER,LOCK,.375 | | -- | 144161GT | PLUG,PWR,UK,16AMP,3PIN,BLK | |
| 5 | 6888GT | SCREW,HHC,1/4-20 X 1 | | -- | 25388GT | PLUG,FUSED,250V,13AMP,U.K.** | |
| 6 | 6356GT | WASHER,LOCK,.25 | | 22 | 7056GT | CONN,SQUEEZE,1/2NPT .38-.50,SM....1 | |
| 7 | 6638GT | WASHER,FLAT,USS,1/4"Y | | 23 | 6935GT | LOCKNUT,ELEC,1/2".....1 | |
| 8 | 6019GT | SCREW,HHC,3/8-16 X 1.25 GRD 5 | | 24 | 30794GT | WIRE,12/3 SJEOW,BK-WH-GR/YL.....799-inches <i>primary boom</i> | |
| 9 | 6097GT | WASHER,FLAT,USS,3/8",Y | | -- | 30794GT | WIRE,12/3 SJEOW,BK-WH-GR/YL.....155-inches <i>jib boom</i> | |
| 10 | | FILTER ASY,M PRESS,SAE8,WOIND* (77139).....1 <i>component no longer available</i> | | -- | 88398GT | HARNESS,POWER TO PLAT,UPPER | |
| -- | 1267807GT | ASSY, MED. PRESS. FILTER, SAE8 <i>for 77139</i> | | -- | 88399GT | HARNESS,POWER TO PLAT,LOWER | |
| -- | 58222GT | O-RING,FILTER ASSY (60334)*** <i>for 77139</i> | | 25 | 88120PGT | FORMING,TRNTBL LOWER CNTR CVR.....1 | |
| -- | 58223GT | SEAL,FILTER ASSY (60334)*** <i>for 77139</i> | | | | | |
| -- | 60857GT | FILTER,ELEMENT,BETA(5)=1000 <i>for 77139</i> | | | | | |
| 10A | 1267807GT | ASSY, MED. PRESS. FILTER, SAE8 | | | | | |
| -- | 1268229GT | ELEMENT-5 MIC, PAPER, W/ BYPASS <i>for 1267807</i> | | | | | |
| 11 | 60334GT | FILTER ASSY,HIGH PRESS SAE-12*2 | | | | | |
| -- | 58222GT | O-RING,FILTER ASSY (60334)*** | | | | | |
| -- | 58223GT | SEAL,FILTER ASSY (60334)*** | | | | | |
| -- | 60857GT | FILTER,ELEMENT,BETA(5)=1000 | | | | | |
| 12 | 61189GT | GROMMET,RUBBER .75 X .38 X1.13.....2 | | | | | |
| 13 | 4828GT | NUT,NYLOCK,3/8-16 | | | | | |
| 14 | 81578GT | HORN,12VDC,SPADE TERMINALS***1 | | | | | |
| 15 | 5397GT | WASHER,FLAT,USS,5/16",Y | | | | | |
| 16 | 29868GT | SPRING CLIP,3/8-16,.05-.20X.73,ZAG | | | | | |
| 17 | 102953GT | RELAY COVER ASSY W/DECAL.....1 <i>from SN 777 to SN 995</i> | | | | | |
| -- | 102354PGT | RELAY COVER,Z80,PAINTED <i>(only relay cover, no decal)</i> | | | | | |
| -- | 102954GT | RELAY COVER ASSY W/DECAL <i>from SN 996 to 5163</i> | | | | | |
| -- | 122867GT | RELAY COVER ASSY W/DECAL <i>from SN 5164</i> | | | | | |
| -- | 229567GT | PLUG,SANTOPRENE .5 BLACK DOME | | | | | |

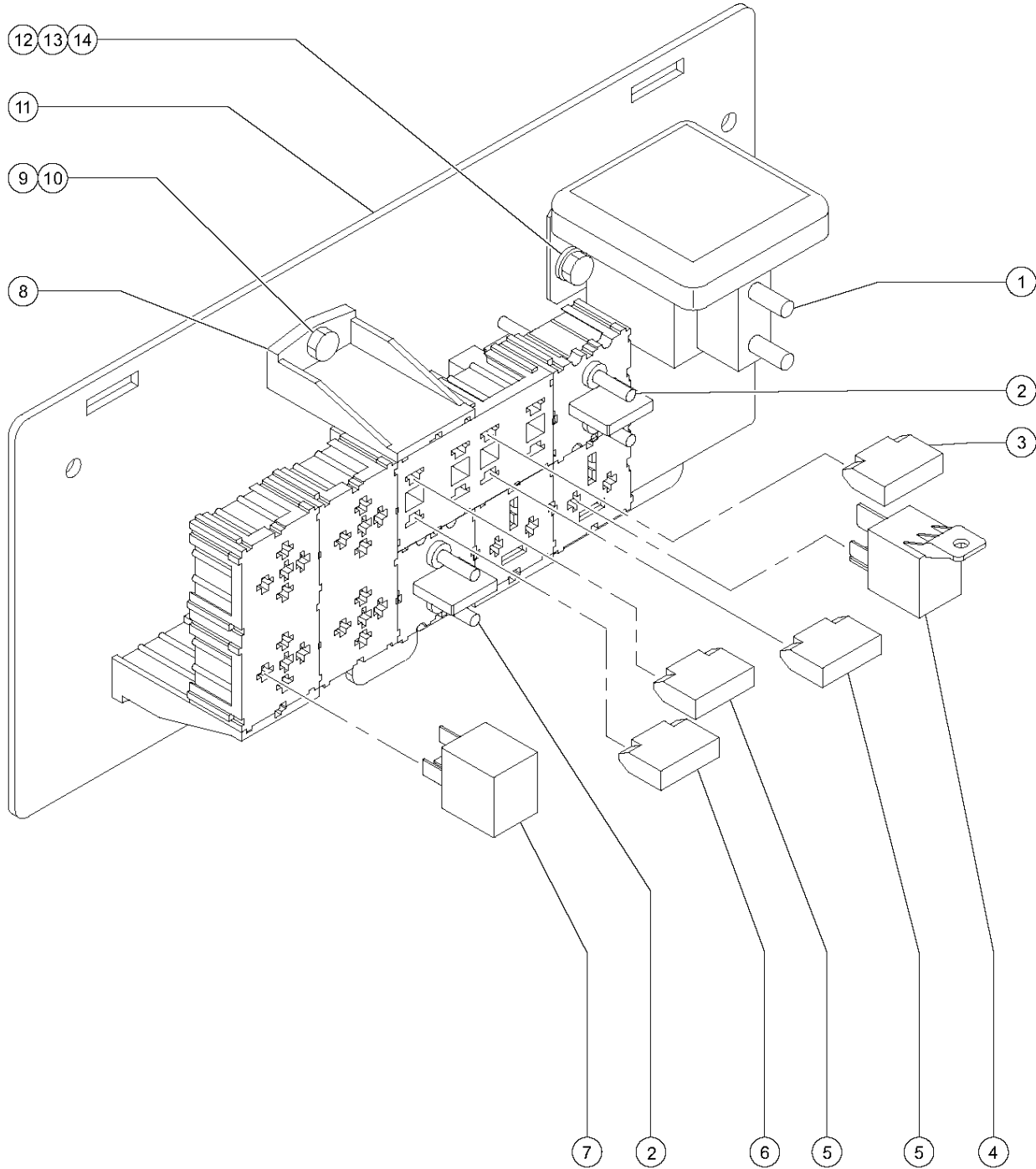
307.1 Turntable Components - Relay Panel (to SN 338)



307.1 Turntable Components - Relay Panel (to SN 338)

| Item | Part No. | Description | Qty. |
|------|----------|--|------|
| -- | 88159GT | LOCK,WEDGE,RLY 9.5MM | |
| 1 | 237068GT | SEPARATOR,DUAL BATTERY,100A.....1 | |
| -- | 214393GT | KIT, BATT SEPARATOR, ANSI/CSA <i>includes part 237068</i> | |
| -- | 215209GT | KIT, BATT SEPARATOR, CE <i>includes part 237068</i> | |
| -- | 215210GT | KIT, BATT SEPARATOR, AS <i>includes part 237068</i> | |
| 2 | 60536GT | FUSE,20 AMP,MAXI.....2 <i>Deutz models</i> | |
| -- | 60536GT | FUSE,20 AMP,MAXI.....3 <i>Perkins models</i> | |
| -- | 88164GT | CONN MAXI FUSE MODULE,4POS | |
| 3 | 88164GT | CONN MAXI FUSE MODULE,4POS | |
| 3 | 94327GT | FUSE,30 AMP.....1 <i>diesel models</i> | |
| 4 | 101340GT | FUSE,60 AMP,MAXI.....1 <i>Deutz models</i> | |
| -- | 88164GT | CONN MAXI FUSE MODULE,4POS | |
| 5 | 61225GT | RELAY,12VDC,70AMP,SEALED.....2 <i>diesel models</i> | |
| -- | 34052GT | RELAY,SPDT,12V(AUTO) PLUG IN**.....2 <i>GM models</i> | |
| -- | 88162GT | CONN,POWER RLY MODULE,4POS <i>diesel models</i> | |
| -- | 88167GT | CONN,DUAL RLY MODULE,10 POS <i>GM models</i> | |
| 6 | 34052GT | RELAY,SPDT,12V(AUTO) PLUG IN**.....3 <i>diesel models</i> | |
| -- | 34052GT | RELAY,SPDT,12V(AUTO) PLUG IN**.....2 <i>GM models</i> | |
| -- | 88167GT | CONN,DUAL RLY MODULE,10 POS | |
| 7 | 88160GT | BRACKET,LEG,RLY BLOCK.....3 | |
| 8 | 49816GT | SCREW,PHILLIPS,PHM,10-32 X .75 | |
| 9 | 6178GT | NUT,NYLOCK,10-32 | |
| 10 | 88265PGT | PLATE,RELAY MOUNT.....1 | |

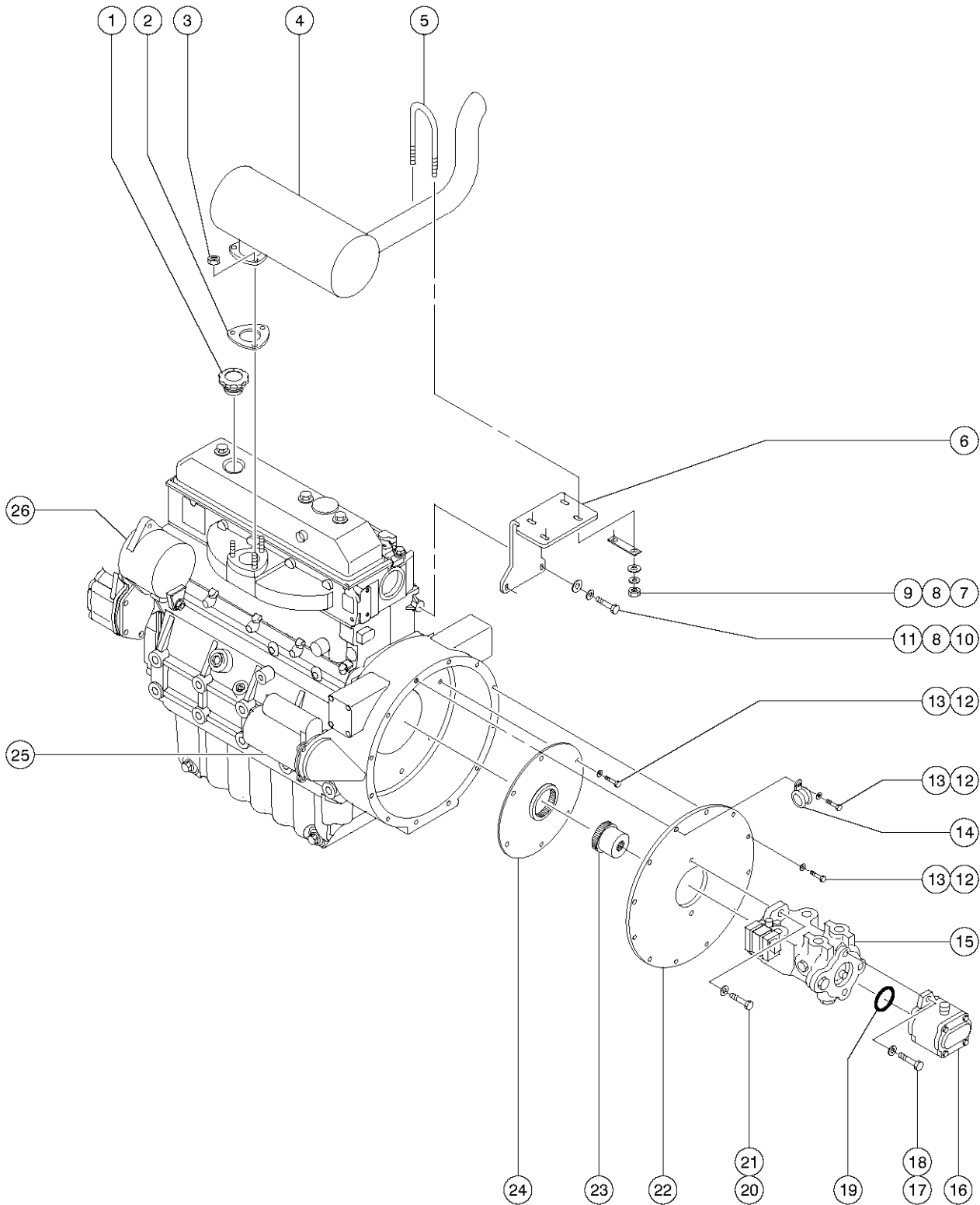
307.2 Turntable Components - Relay Panel (from SN 339)



307.2 Turntable Components - Relay Panel (from SN 339)

| Item | Part No. | Description | Qty. |
|------|-----------|--|------|
| -- | 88159GT | LOCK,WEDGE,RLY 9.5MM <i>from SN 339</i> | |
| 1 | 237068GT | SEPARATOR,DUAL BATTERY,100A.....1 <i>from SN 339</i> | |
| -- | 214393GT | KIT, BATT SEPARATOR, ANSI/CSA <i>includes part 237068</i> | |
| -- | 215209GT | KIT, BATT SEPARATOR, CE <i>includes part 237068</i> | |
| -- | 215210GT | KIT, BATT SEPARATOR, AS <i>includes part 237068</i> | |
| 2 | 106051GT | CONN,FEED THRU STUD.....2 <i>from SN 339</i> | |
| 3 | 94327GT | FUSE,30 AMP.....1 <i>diesel models; from SN 339</i> | |
| -- | 88164GT | CONN MAXI FUSE MODULE,4POS <i>from SN 339</i> | |
| 4 | 61225GT | RELAY,12VDC,70AMP,SEALED.....2 <i>diesel models; from SN 339</i> | |
| -- | 61225GT | RELAY,12VDC,70AMP,SEALED.....1 <i>gasoline/LPG models; from SN 339</i> | |
| 5 | 60536GT | FUSE,20 AMP,MAXI.....2 <i>diesel and Ford models; from SN 339</i> | |
| -- | 88164GT | CONN MAXI FUSE MODULE,4POS <i>from SN 339</i> | |
| -- | 94327GT | FUSE,30 AMP.....2 <i>Continental models; from SN 339</i> | |
| 6 | 101340GT | FUSE,60 AMP,MAXI.....1 <i>from SN 339</i> | |
| -- | 88164GT | CONN MAXI FUSE MODULE,4POS <i>from SN 339</i> | |
| 7 | 34052GT | RELAY,SPDT,12V(AUTO) PLUG IN**.....3 <i>Deutz models; from SN 339</i> | |
| -- | 34052GT | RELAY,SPDT,12V(AUTO) PLUG IN**.....5 <i>Perkins models; from SN 339</i> | |
| -- | 88167GT | CONN,DUAL RLY MODULE,10 POS <i>from SN 339</i> | |
| 8 | 88160GT | BRACKET,LEG,RLY BLOCK.....3 <i>from SN 339</i> | |
| 9 | 49816GT | SCREW,PHILLIPS,PHM,10-32 X .75 <i>from SN 339</i> | |
| 10 | 6178GT | NUT,NYLOCK,10-32 <i>from SN 339</i> | |
| 11 | 88265PGT | PLATE,RELAY MOUNT.....1 <i>from SN 339 to SN 776</i> | |
| -- | 102353PGT | FUSE PANEL,FORMING,Z80,PAINTED <i>shown; from SN 777</i> | |
| 12 | 6090GT | SCREW,HHC,1/4-20 X .75 <i>from SN 339</i> | |
| 13 | 5397GT | WASHER,FLAT,USS,5/16",Y <i>from SN 339</i> | |
| 14 | 6091GT | NUT,NYLOCK,1/4-20 <i>from SN 339</i> | |

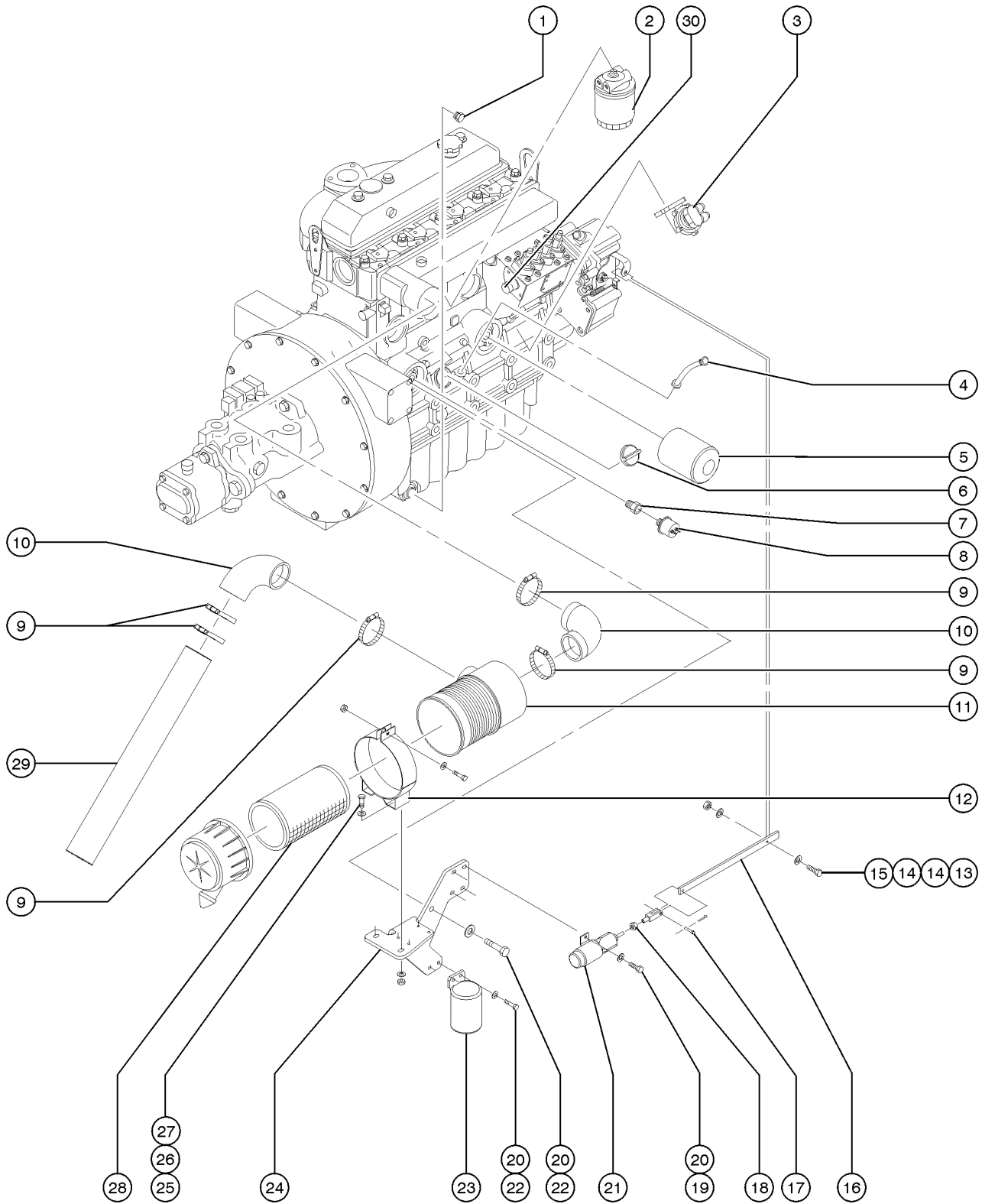
401.1 Perkins 704-30 Engine - View 1 (to SN 328)



401.1 Perkins 704-30 Engine - View 1 (to SN 328)

| Item | Part No. | Description | Qty. |
|------|----------|---|------|
| -- | 88135GT | HARNES,PERKINS ENGINE,704-30 | |
| -- | 73993GT | HARNES,RPM SOLENOID RELAY*** | |
| 1 | 65499GT | CAP, SIDE OIL FILL, PERKINS.....1 | 1 |
| 2 | 65503GT | GASKET,MUFFLER PERKINS(53883)....1 | 1 |
| 3 | 65504GT | NUT,MUFFLER PERKINS 10MM.....3 | 3 |
| 4 | 63313GT | MUFFLER, PERKINS.....1 | 1 |
| 5 | 16584GT | U-BOLT, KIT 5/16-18 X 2.5 ***2 | 2 |
| 6 | 63326PGT | MUFFLER BRACKET, PAINTED.....1 | 1 |
| 7 | 6782GT | NUT,NYLOCK,5/16-18 | |
| 8 | 44064GT | SCREW,HHC,M10 X 30MM, | |
| 9 | 22700GT | WASHER,LOCK,M10 | |
| 10 | 6886GT | WASHER,LOCK,.313 | |
| 11 | 5397GT | WASHER,FLAT,USS,5/16",Y | |
| 12 | 23057GT | SCREW,HHC,M8 X 20MM | |
| 13 | 6638GT | WASHER,FLAT,USS,1/4"Y | |
| 14 | 45454GT | CLAMP,RUB CUSH,0.75,#12 X 3/8*.....1 | 1 |
| 15 | | Ref. Drive Pump (refer to 710.1) | |
| 16 | | Ref. Function Pump (refer to 710.1) | |
| 17 | 6175GT | SCREW,HHC,3/8-16 X 1 | |
| 18 | 6097GT | WASHER,FLAT,USS,3/8",Y | |
| 19 | 29436GT | O-RING***.....1 | 1 |
| 20 | 8177GT | SCREW,HHC,1/2-13 X 1.5 | |
| 21 | 13066GT | WASHER,FLAT,.5 HARDENED.....2 | 2 |
| 22 | 63464PGT | PLATE, PUMP MOUNT, PAINTED***.....1 | 1 |
| 23 | 37002GT | COUPLER,HUB,15 TOOTH 7/16BOLT*.....1 | 1 |
| 24 | 33024GT | FLYWHEEL FLANGE,GREEN PLASTIC.....1 | 1 |
| 25 | 65495GT | STARTER MOTOR, PERKINS (53883)...1 | 1 |
| 26 | 65487GT | ALTERNATOR, PERKINS (53883).....1 | 1 |

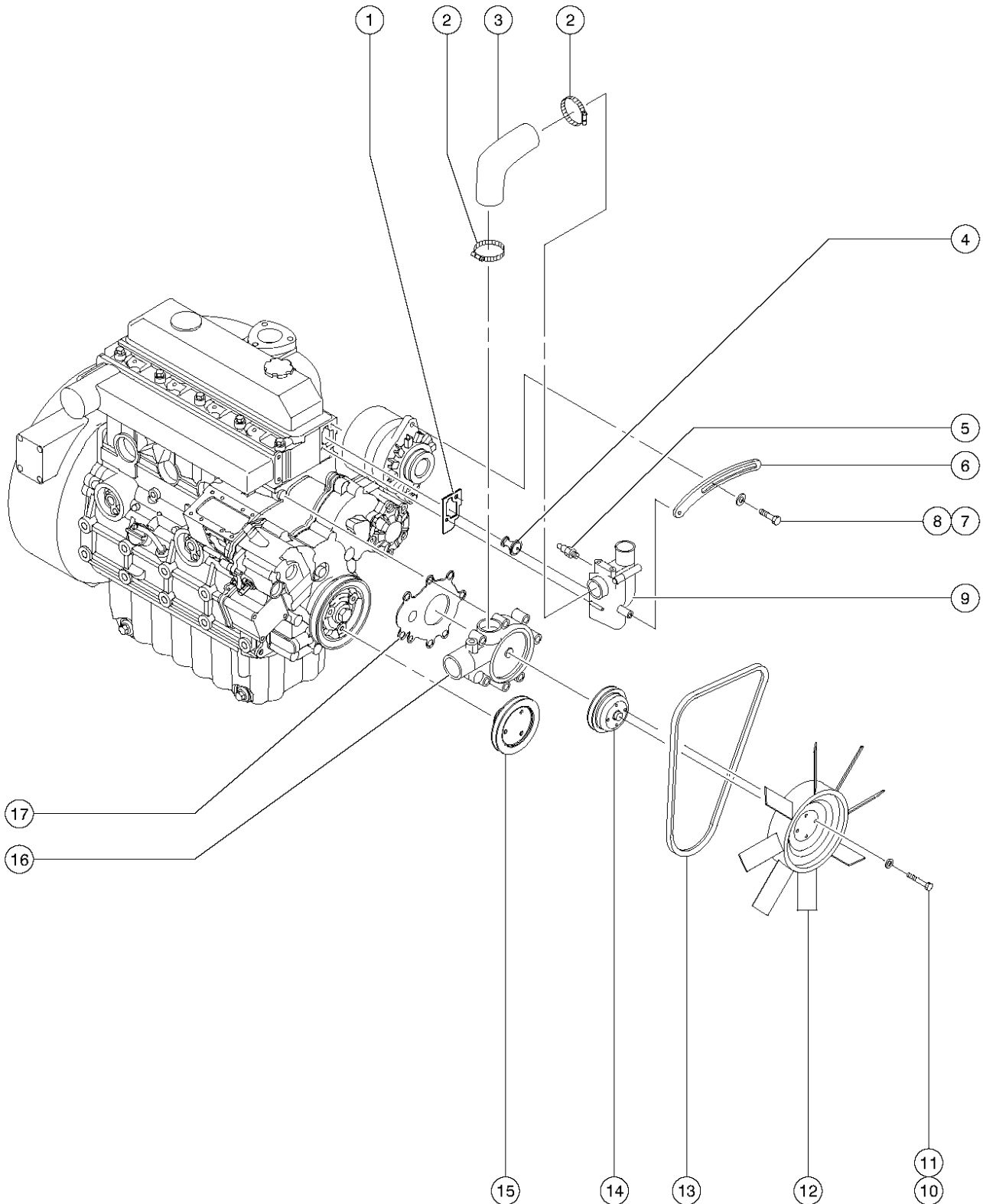
402.1 Perkins 704-30 Engine - View 2 (to SN 328)



402.1 Perkins 704-30 Engine - View 2 (to SN 328)

| Item | Part No. | Description | Qty. |
|------|--------------|---|------|
| 1 | 109802GT | PLUG,ORB #6..... | 1 |
| 2 | 62421GT | FILTER,FUEL,PERKINS..... | 1 |
| 3 | 65500GT | PUMP, LIFT INLET PORT (53883)..... | 1 |
| -- | 53948GT | ADPTR,STR FEM INV 45D 1/4X1/4 | |
| -- | 65501GT | FITTINGS, LIFT PUMP INLET PORT | |
| 4 | 65497GT | DIPSTICK (53883)..... | 1 |
| 5 | 62422GT | FILTER,OIL,PERKINS 704-30 (BB)..... | 1 |
| 6 | 65498GT | CAP,OIL FILLER, PERKINS..... | 1 |
| 7 | 53951GT | ADPTR,ST. THR 3/4-16 FEM PIPE..... | 1 |
| 8 | 30810GT | SENDING UNIT,OIL PRESSURE*** <i>dual-terminal sender</i> | 1 |
| 9 | 53945GT | CLAMP,HOSE 2 5/16-3 1/4..... | 5 |
| 10 | 34164GT | ELBOW,90 DEGR,RUBBER,2.5" I.D.*..... | 2 |
| 11 | 63463GT | AIR CLEANER,NELSON***..... <i>plastic housing (includes items 12 and 28)</i> | 1 |
| -- | 52866GT | EVACUATOR VALVE-AIR CLEANER | |
| -- | 58415GT | CLIP,AIR CLEANER END CAP*** <i>end cap not available separately</i> | |
| -- | 65810GT | BAFFLE, AIR CLEANER (27915)** | |
| 12 | 53952GT | BRKT,AIR CLEANER ORIENTATION** <i>includes mounting fasteners</i> | 1 |
| 13 | 81128GT | SCREW,SHSH,M5XM16,ZINC | |
| 14 | 56660GT | WASHER,RIVETING | |
| 15 | 27082GT | NUT,NYLOCK,M5X.80 | |
| 16 | 88512GT | THROTTLE LINK,DSL***..... | 1 |
| 17 | 21130GT | CLEVIS YOKE-1/4-28,PLTD W/PIN..... | 1 |
| 18 | 21496GT | NUT,HEX,1/4-28 | |
| 19 | 6888GT | SCREW,HHC,1/4-20 X 1 | |
| 20 | 6638GT | WASHER,FLAT,USS,1/4"Y | |
| 21 | 77402GT | SOLENOID,THROTTLE ACTUATOR DSL..... | 1 |
| -- | 88486GT | SOL SPRING,SYNCHRO START 1751 | |
| 22 | 6090GT | SCREW,HHC,1/4-20 X .75 | |
| 23 | 81199GT | SEPARATOR/FILTER,FUEL-D,30MIC..... | 1 |
| -- | 65853GT | FILTER,FUEL/WATER SEPARATOR*** | |
| 24 | 63399PGT | AIR CLEANER BRACKET, PAINTED..... | 1 |
| 25 | 13002GT | SCREW,HHC,5/16-18 X 1 GR5 | |
| 26 | 5397GT | WASHER,FLAT,USS,5/16",Y | |
| 27 | 6782GT | NUT,NYLOCK,5/16-18 | |
| 28 | 62420GT | FILTER,AIR***..... | 1 |
| 29 | 34162-2300GT | HOSE,AIR INTAKE 2.50" I.D..... | 1 |
| 30 | 72265GT | SOLENOID,SHUTDOWN,PERKINS **** | |

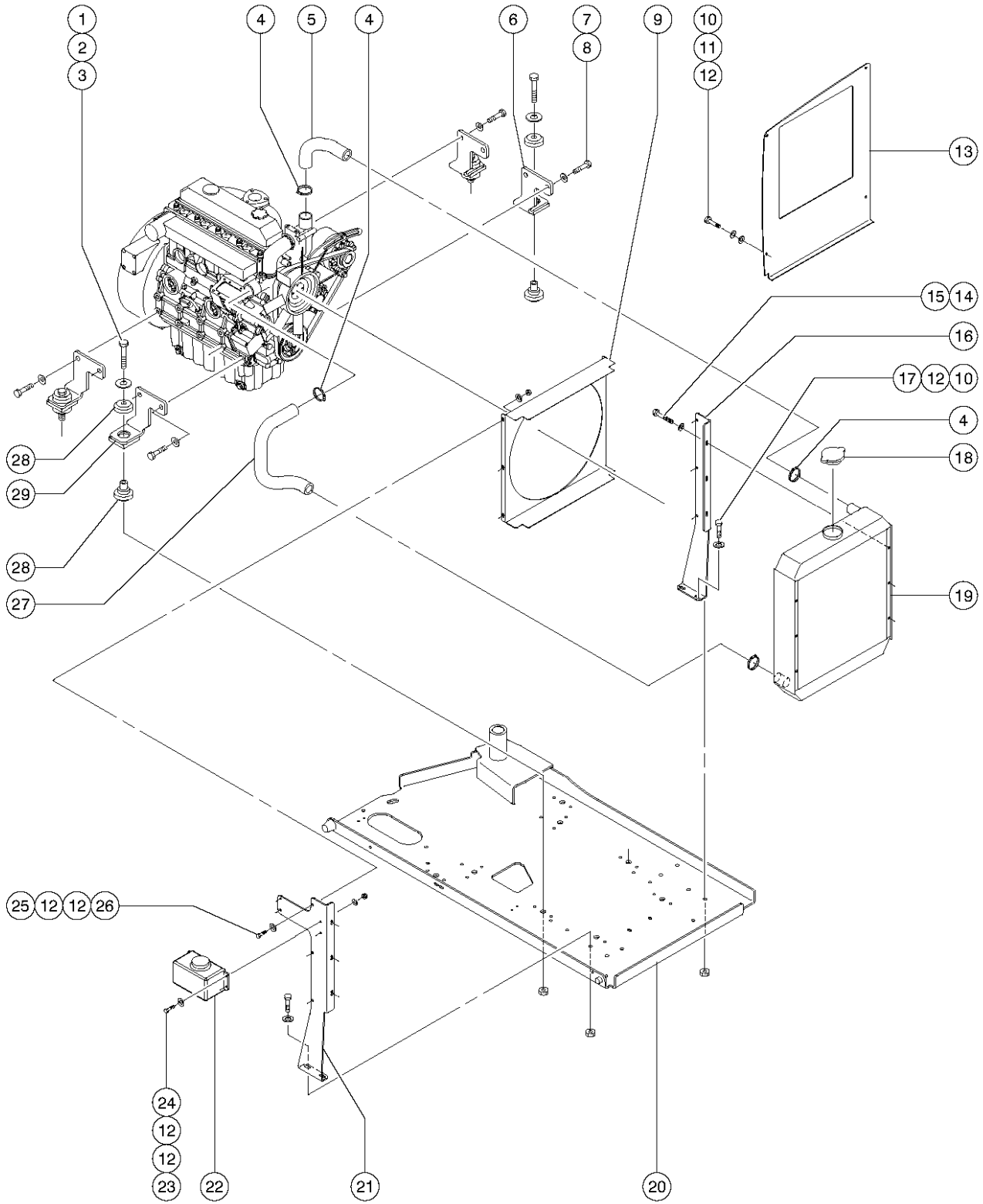
403.1 Perkins 704-30 Engine - View 3 (to SN 328)



403.1 Perkins 704-30 Engine - View 3 (to SN 328)

| Item | Part No. | Description | Qty. |
|------|----------|--|------|
| 1 | 65505GT | GASKET, THERMOSTAT (53883)..... | 1 |
| 2 | 65506GT | CLAMP, HOSE (53883)..... | 2 |
| 3 | 65507GT | HOSE, WATER PUMP (53383)..... | 1 |
| 4 | 65493GT | THERMOSTAT, PERKINS (53883)..... | 1 |
| 5 | 34058GT | SENDING UNIT,TMP,FRD,GM,PRK704..... | 1 |
| 6 | 65488GT | LEVER ALTERNATOR, (53883)..... | 1 |
| 7 | 49381GT | SCREW,HHC,M12 X 30 | |
| 8 | 65355GT | WASHER,LOCK,M12 | |
| 9 | 65494GT | HOUSING,THERMOSTAT (53883)..... | 1 |
| 10 | 67349GT | SCREW,HHC,M8 X 50 | |
| 11 | 49408GT | WASHER,LOCK,M8 | |
| 12 | 65490GT | FAN, PERKINS (53883)..... | 1 |
| 13 | 62423GT | BELT,V KIT, PERKINS 704-30..... | 1 |
| 14 | 102683GT | PULLEY, WATER PUMP (704-30)..... | 1 |
| 15 | 65496GT | PULLEY,CRANKSHAFT (53883)..... | 1 |
| 16 | 65491GT | WATER PUMP, PERKINS (53883)..... | 1 |
| 17 | 65492GT | GASKET,TIMMING CASE COVER..... | 1 |

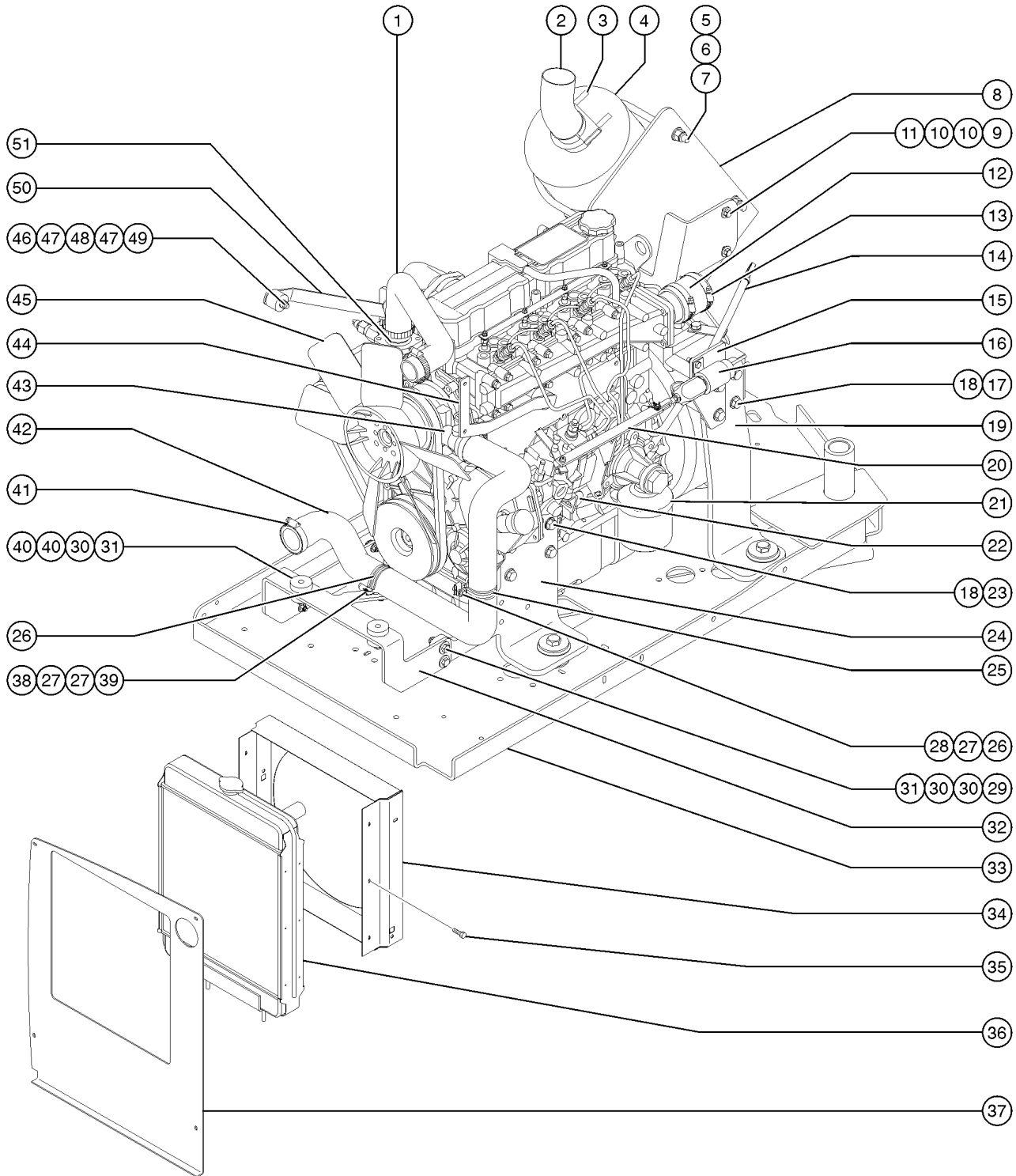
404.1 Perkins 704-30 Engine - View 4 (to SN 328)



404.1 Perkins 704-30 Engine - View 4 (to SN 328)

| Item | Part No. | Description | Qty. |
|------|-----------|---|------|
| 1 | 53909GT | SCREW,HHC,5/8-11 X 4.0 GR8..... | 4 |
| 2 | 33418GT | WASHER,FLAT,.625 X 2.25 X.15 | |
| 3 | 6024GT | NUT,NYLOCK,5/8-11 | |
| 4 | 13014GT | CLAMP,HOSE,2.25" DIA..... | 4 |
| 5 | 63413GT | RADIATOR HOSE, UPPER..... | 1 |
| 6 | 63418GT | WELDMENT,ENGINE MOUNT,INBOARD..... | 2 |
| 7 | 49384GT | SCREW,HHC,M14 X 30 | |
| 8 | 37505GT | WASHER,LOCK,M14 | |
| 9 | 63364PGT | FAN SHROUD, PAINTED..... | 1 |
| 10 | 6175GT | SCREW,HHC,3/8-16 X 1 | |
| 11 | 6356GT | WASHER,LOCK,.25 | |
| 12 | 6638GT | WASHER,FLAT,USS,1/4"Y | |
| 13 | 8819PGT | Intake Baffle..... | 1 |
| 14 | 13002GT | SCREW,HHC,5/16-18 X 1 GR5 | |
| 15 | 5397GT | WASHER,FLAT,USS,5/16",Y | |
| 16 | 63362PGT | RADIATOR MOUNT, LH, PAINTED..... | 1 |
| 17 | 7713GT | NUT, LP NYLOCK, 3/8-16 | |
| 18 | 65473GT | CAP,RADIATOR,PERKINS/FORD..... | 1 |
| 19 | 63462GT | RADIATOR,PERKINS,GM..... <i>includes item 18</i> | 1 |
| 20 | | Ref. Engine Tray (refer to 424.1) | |
| 21 | 101971GT | MOTOR, TRACTIOM 24/48V,9"..... | 1 |
| 22 | 1279268GT | BOTTLE, COOLANT RECOVERY, 2QT..... | 1 |
| -- | 72327GT | CAP, COOLANT RET SYS(54071) | |
| 23 | 6090GT | SCREW,HHC,1/4-20 X .75 | |
| 24 | 6889GT | NUT,LP NYLOCK,1/4-20 | |
| 25 | 6888GT | SCREW,HHC,1/4-20 X 1 | |
| 26 | 6091GT | NUT,NYLOCK,1/4-20 | |
| 27 | 63414GT | RADIATOR HOSE, LOWER..... | 1 |
| 28 | 28076GT | ISOLATOR,VIBRATION,LG,RD&WH***...4 | |
| 29 | 63419GT | WELDMENT,ENGINE MOUNT,OUTBOARD..... | 2 |

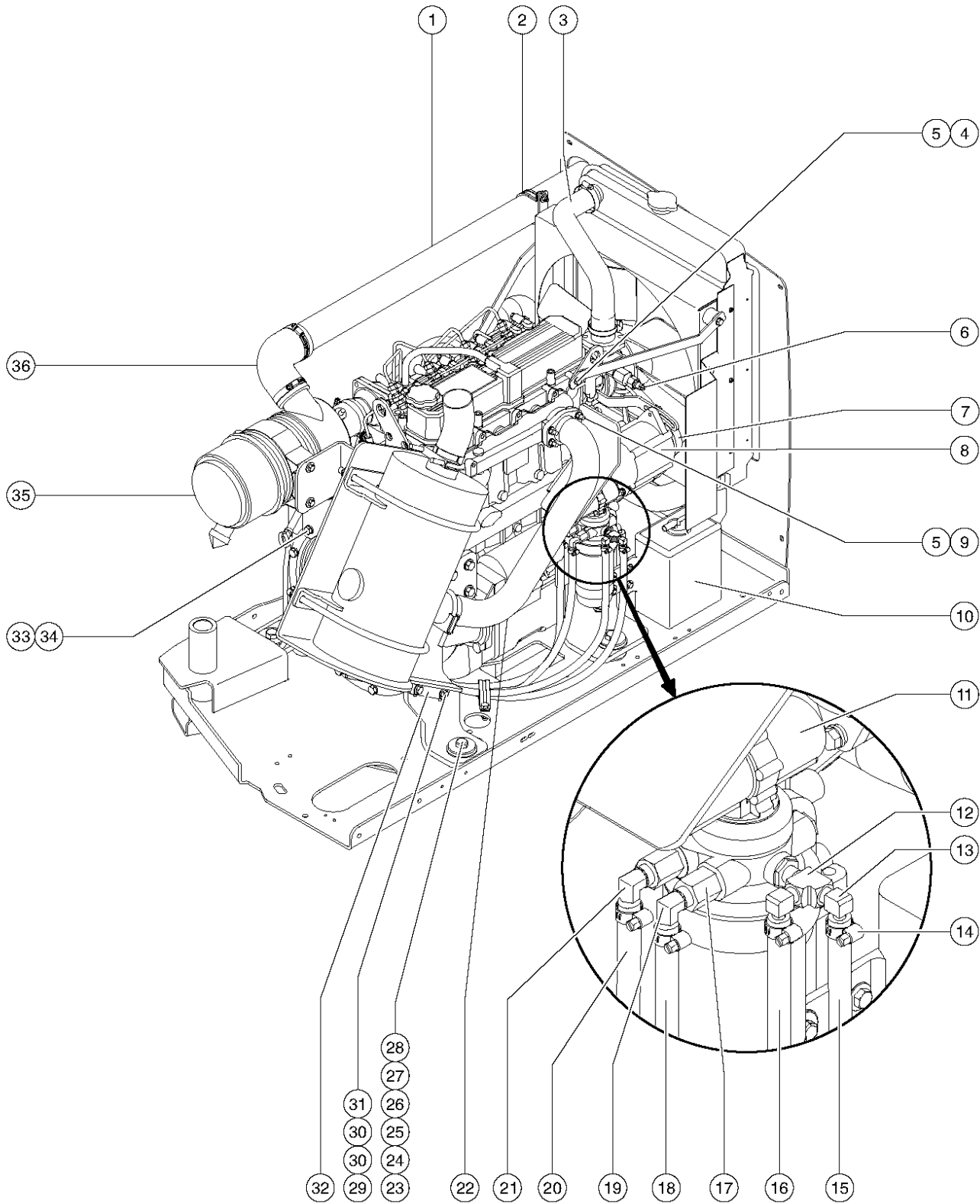
405.1 Perkins 804D-33 Engine - View 1 (from SN 329)



405.1 Perkins 804D-33 Engine - View 1 (from SN 329)

| Item | Part No. | Description | Qty. | Item | Part No. | Description | Qty. |
|------|-------------|--|------|------|-----------|--|------|
| -- | 101891GT | HARNES,PERKINS ENGINE,804 to SN 4781 | | 30 | 6097GT | WASHER,FLAT,USS,3/8",Y | |
| -- | 1253172GT | HARNES,ENG,PERKINS, 804, Z80 from SN 4782 | | 31 | 4828GT | NUT,NYLOCK,3/8-16 | |
| -- | 1253210GT | CIRCUIT BRKR THERM AUTORESET 6 from SN 4782 | | 32 | 101606PGT | BRACKET,RADIATOR SUPPORT PNTD.....1 | |
| -- | 101638GT | OPTION, SPARK ARREST | | 33 | | Ref. Engine Tray (refer to 420.1) | |
| 1 | 101601GT | HOSE,RADIATOR,UPPER,PERKINS.....1 | | 34 | 101603PGT | SHROUD,FAN,PERKINS PAINTED.....1 | |
| -- | 35434GT | CLAMP,HOSE,2.00*** | | 35 | 21019GT | SCREW,PHIL,PHM,10-24 X.5,SEMS | |
| 2 | 101619GT | PIPE, TAIL.....1 | | 36 | 110304GT | RADIATOR,FORD/PERKINS***.....1 | |
| 3 | 71911GT | CLAMP,MUFFLER, 2.50 INCH | | -- | 65473GT | CAP,RADIATOR,PERKINS/FORD | |
| 4 | 70444GT | MUFFLER,2.5"INLET/OUTLET.....1 | | 37 | 101622GT | BAFFLE,INTAKE,Z80 PERKINS.....1 | |
| -- | 101633GT | MUFFLER,SPARK ARREST,2.5 I/O | | 38 | 6888GT | SCREW,HHC,1/4-20 X 1 | |
| -- | 101634GT | MUFFLER,CATALYTIC,2.5 I/O | | 39 | 6091GT | NUT,NYLOCK,1/4-20 | |
| 5 | 70449GT | U-BOLT,1/2-13 X 8.5.....2 | | 40 | 24038GT | SHOCK MOUNT,SMALL.....4 | |
| 6 | 13066GT | WASHER,FLAT,.5 HARDENED.....4 | | 41 | 35434GT | CLAMP,HOSE,2.00***.....1 | |
| 7 | 66777GT | NUT, TOP LOCK, 1/2-13 | | 42 | 101602GT | HOSE,RADIATOR,LOWER,PERKINS.....1 | |
| 8 | 101611GT | BRACKET,AIR CLEANER,MUFFLER.....1 | | 43 | 226060GT | PUMP,WATER,PERKINS 804D-33T | |
| 9 | 13002GT | SCREW,HHC,5/16-18 X 1 GR5 | | -- | 226061GT | GASKET-PUMP WATE,PERK 804D-33T | |
| 10 | 5397GT | WASHER,FLAT,USS,5/16",Y | | 44 | 101605PGT | BRACKET,FAN SHROUD,LH PAINTED | |
| 11 | 6782GT | NUT,NYLOCK,5/16-18 | | 45 | 107545GT | FAN, PERKINS 804C-33 | |
| 12 | 34162-300GT | HOSE,AIR INTAKE 2.50" ID.....1 | | 46 | 23057GT | SCREW,HHC,M8 X 20MM | |
| 13 | 30971GT | CLAMP,HOSE,3.00" | | 47 | 33277GT | WASHER,FLAT,M8,YELLOW ZINC | |
| 14 | 101625GT | DIP STICK TUBE ASSY.....1 | | 48 | 60585GT | ISOLATOR,VIBRATION,M8 MALE/FEM | |
| 15 | 101620PGT | BRACKET,SOLENOID PAINTED.....1 | | 49 | 25368GT | NUT,NYLOCK,M8X1.25 | |
| 16 | 77402GT | SOLENOID,THROTTLE ACTUATOR DSL.....1 | | 50 | 101604PGT | BRACKET,FAN SHROUD,RH,PAINTED | |
| -- | 21130GT | CLEVIS YOKE-1/4-28,PLTD W/PIN | | 51 | 226127GT | THERMOSTAT, 180 DEG.F | |
| 17 | 27584GT | SCREW,HHC,M12 X 35MM | | -- | 226128GT | GASKET, (226127) | |
| 18 | 49410GT | WASHER,FLAT,M12 | | | | | |
| 19 | 101610PGT | ENGINE MOUNT,LR PAINTED.....1 | | | | | |
| 20 | 121814GT | THROTTLE LINKAGE,DIESEL.....1 | | | | | |
| -- | 27082GT | NUT,NYLOCK,M5X.80 | | | | | |
| -- | 81128GT | SCREW,SHSH,M5XM16,ZINC | | | | | |
| 21 | 101613GT | ELEMENT,OIL FILTER,PERKINS***.....1 | | | | | |
| 22 | 102348GT | SENDING UNIT,OIL PRESS PERKINS...1 | | | | | |
| -- | 101627GT | ADAPTER 3/8 FNPT X M16 | | | | | |
| 23 | 49381GT | SCREW,HHC,M12 X 30 | | | | | |
| 24 | 101608PGT | ENGINE MOUNT,LF PAINTED.....1 | | | | | |
| 25 | 6653GT | CLAMP,1.88,#30 X 1/4,RUB CUSH.....2 | | | | | |
| 26 | 6090GT | SCREW,HHC,1/4-20 X .75 | | | | | |
| 27 | 6638GT | WASHER,FLAT,USS,1/4"Y | | | | | |
| 28 | 56912GT | SPRING CLIP,1/4-20,.025-.15X.54,ZAG | | | | | |
| 29 | 8516GT | SCREW, HCC, 3/8-16 X 1.50 | | | | | |

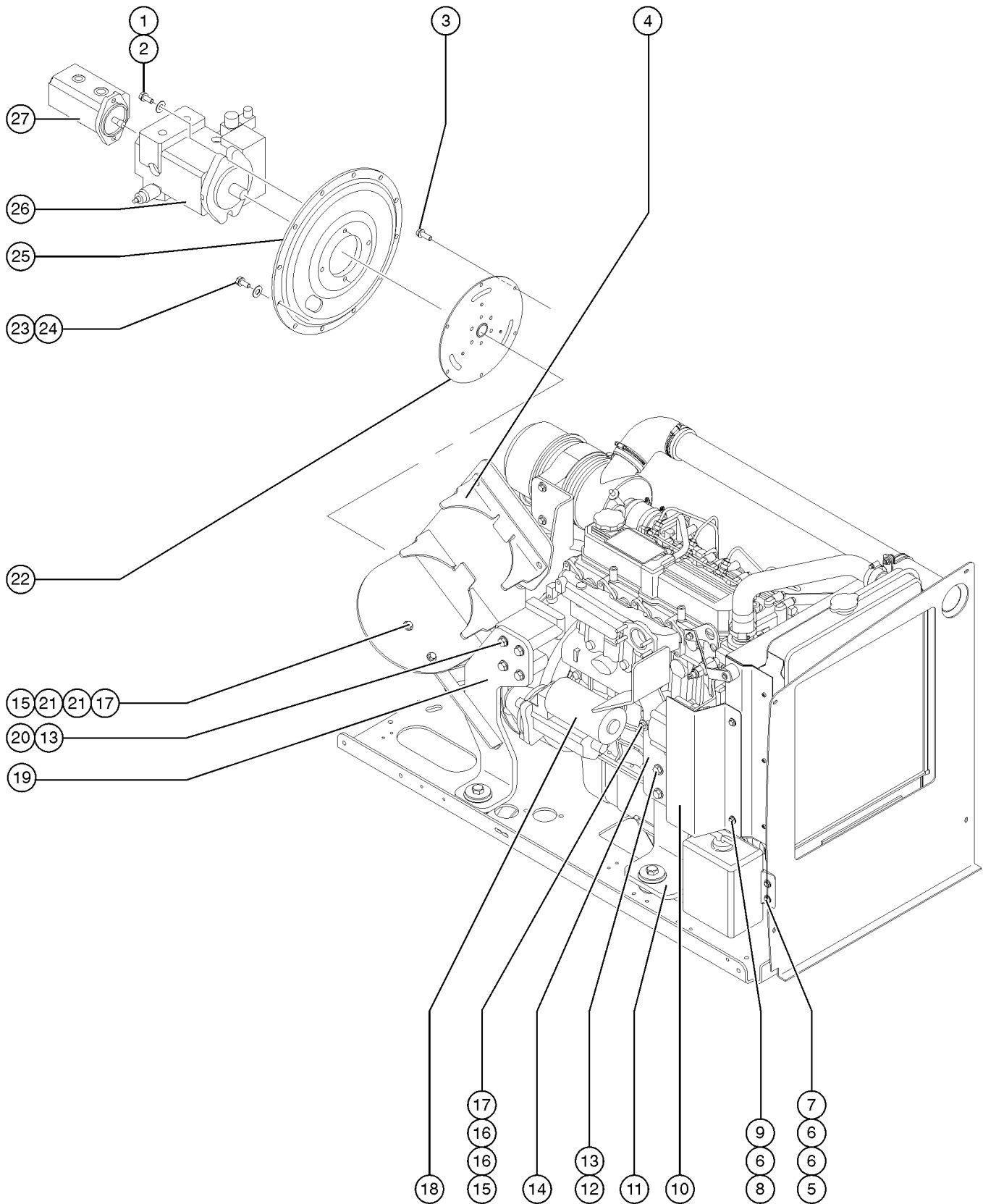
406.1 Perkins 804D-33 Engine - View 2 (from SN 329)



406.1 Perkins 804D-33 Engine - View 2 (from SN 329)

| Item | Part No. | Description | Qty. | Item | Part No. | Description | Qty. |
|------|--------------|---|------|------|-----------|--|------|
| 1 | 94324-3450GT | TUBE,RD,STL,ALUMIZD,2.5 X .065.....1 | 1 | 30 | 5397GT | WASHER,FLAT,USS,5/16",Y | |
| 2 | 101626GT | CLAMP,2.5,#40 X 1/4,RUB CUSH.....1 | 1 | 31 | 4828GT | NUT,NYLOCK,3/8-16 | |
| 3 | 101601GT | HOSE,RADIATOR,UPPER,PERKINS.....1 | 1 | 32 | 101641PGT | BRACKET,MUFFLER SUPPORT PAINTD.....1 | 1 |
| -- | 35434GT | CLAMP,HOSE,2.00*** | | 33 | 44064GT | SCREW,HHC,M10 X 30MM, | |
| 4 | 23057GT | SCREW,HHC,M8 X 20MM | | 34 | 22699GT | WASHER,FLAT,M10,ZINC PLTD. | |
| 5 | 33277GT | WASHER,FLAT,M8,YELLOW ZINC | | 35 | 63463GT | AIR CLEANER,NELSON***.....1 <i>plastic housing</i> | 1 |
| 6 | 34058GT | SENDING UNIT,TMP,FRD,GM,PRK704.....1 | 1 | -- | 52866GT | EVACUATOR VALVE-AIR CLEANER | |
| -- | 28607GT | ADAPTER,140139-8-6 | | -- | 53952GT | BRKT,AIR CLEANER ORIENTATION** | |
| 7 | 102534GT | V-BELT, PERKINS 804C-33.....1 | 1 | -- | 58415GT | CLIP,AIR CLEANER END CAP*** <i>end cap not available separately</i> | |
| 8 | 58250GT | ALTERNATOR,PERKINS 800 SERIES....1 | 1 | -- | 62420GT | FILTER,AIR*** | |
| -- | 106023GT | CONN,ALT,3WAY,PERKINS 804 | | -- | 65810GT | BAFFLE, AIR CLEANER (27915)** | |
| -- | 106024GT | TERM,ALT.PERKINS 804,16/14 GA | | 36 | 34164GT | ELBOW,90 DEGR,RUBBER,2.5" I.D.*.....1 | 1 |
| -- | 56689GT | SEAL,CONNECT,AMP SINGLE WIRE | | -- | 30971GT | CLAMP,HOSE,3.00" | |
| 9 | 22571GT | NUT,HEX,M8 X 1.25 | | | | | |
| 10 | 70367GT | BOTTLE,COOLANT RECOVERY,3.7***.....1 | 1 | | | | |
| -- | 115431GT | CAP ASSY, COOLANT BOTTLE | | | | | |
| 11 | 101644GT | FUEL LIFT PUMP/FILTER ASSY.....1 | 1 | | | | |
| -- | 101614GT | ELEMENT,FUEL/WATER SEPARATOR | | | | | |
| 12 | 41468GT | TEE,BRASS STREET,.12 NPT.....1 | 1 | | | | |
| 13 | 38922GT | ELBOW,90DEG.1/8MPT-5/16 BARB.....2 | 2 | | | | |
| 14 | 21465GT | CLAMP,HOSE,.25" - .63" X .3125.....8 | 8 | | | | |
| 15 | 27089GT | HOSE,5/16 FUEL,SAE 30R7 | | | | | |
| -- | 75640GT | WIRE LOOM,3/4 DIA. | | | | | |
| 16 | 27089GT | HOSE,5/16 FUEL,SAE 30R7 | | | | | |
| -- | 75640GT | WIRE LOOM,3/4 DIA. | | | | | |
| 17 | 101628GT | ADAPTER,1/4 FNPT X 1/2-20 UNF.....2 | 2 | | | | |
| 18 | 42941GT | HOSE,3/8",FUEL,30R7 | | | | | |
| -- | 75640GT | WIRE LOOM,3/4 DIA.....72-inches | | | | | |
| 19 | 31817GT | ELBOW,90DEG.1/4MPT-3/8 BARB.....1 | 1 | | | | |
| 20 | 27089GT | HOSE,5/16 FUEL,SAE 30R7 | | | | | |
| -- | 54205GT | HOSE END,BARB,1/4 MNPTX5/16,90 | | | | | |
| 21 | 54205GT | HOSE END,BARB,1/4 MNPTX5/16,90....1 | 1 | | | | |
| 22 | 101618GT | PIPE,EXHAUST WELDMENT.....1 | 1 | | | | |
| -- | 101645GT | GASKET,EXHAUST MANIFOLD,PERKIN <i>gasket between exhaust pipe and manifold</i> | | | | | |
| 23 | 13003GT | SCREW,HHC,5/8-11 X 3.5 GRD.8.....4 | 4 | | | | |
| 24 | 33418GT | WASHER,FLAT,.625 X 2.25 X .15 | | | | | |
| 25 | 102045GT | ISOLATOR,ENGINE VIBRATION.....4 | 4 | | | | |
| 26 | 18596GT | WASHER,FLAT,1.56 X 2.5 X .061 | | | | | |
| 27 | 6035GT | WASHER,FLAT,USS,5/8",Y | | | | | |
| 28 | 6024GT | NUT,NYLOCK,5/8-11 | | | | | |
| 29 | 8516GT | SCREW, HCC, 3/8-16 X 1.50 | | | | | |

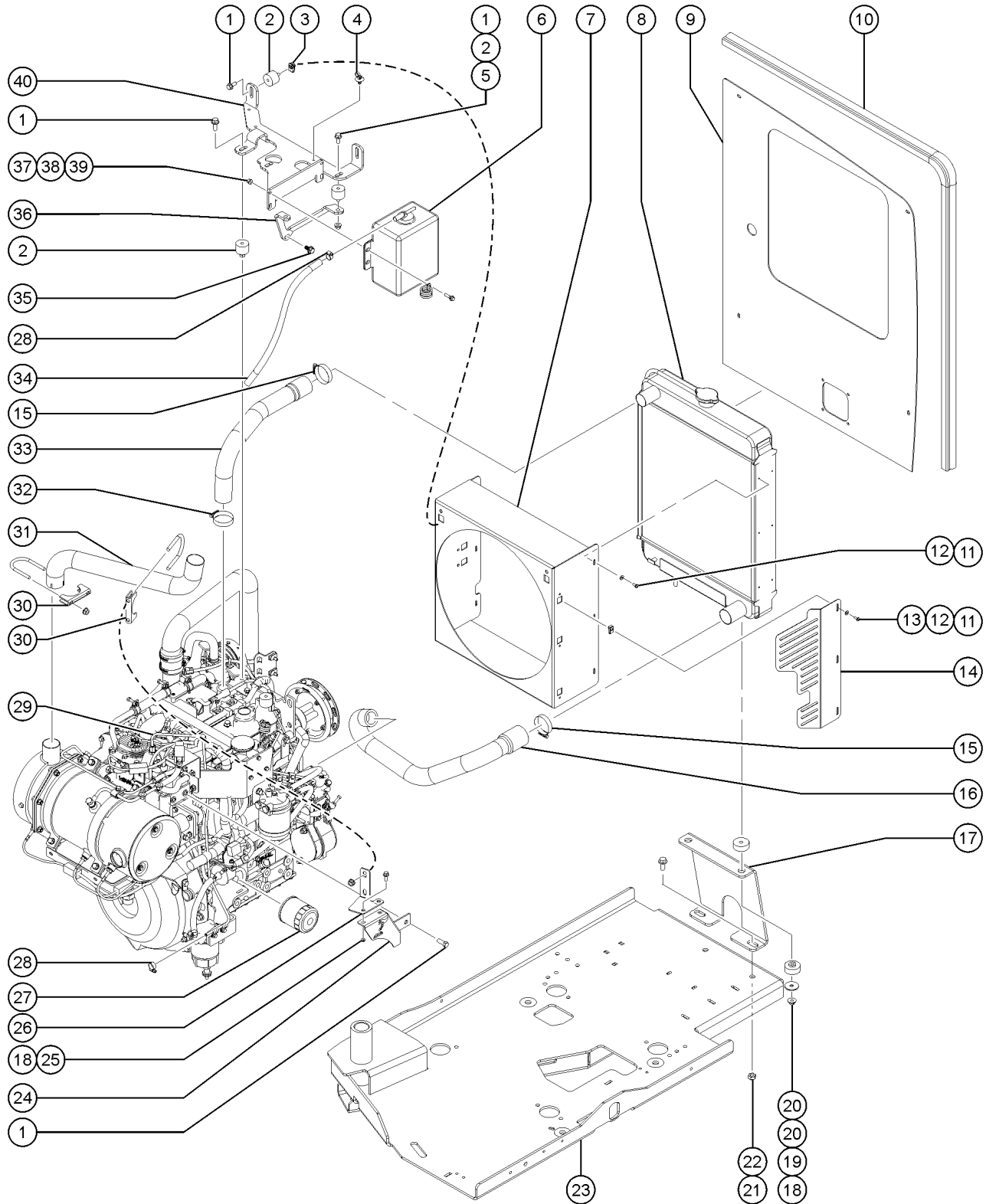
407.1 Perkins 804D-33 Engine - View 3 (from SN 329)



407.1 Perkins 804D-33 Engine - View 3 (from SN 329)

| Item | Part No. | Description | Qty. |
|------|-----------|--|------|
| 1 | 8177GT | SCREW,HHC,1/2-13 X 1.5 | |
| 2 | 13066GT | WASHER,FLAT,.5 HARDENED | |
| 3 | 44064GT | SCREW,HHC,M10 X 30MM, | |
| -- | 22699GT | WASHER,FLAT,M10,ZINC PLTD. <i>(use for part number 33024)</i> | |
| -- | 49388GT | SCREW,HHC,M10 X 1.5 X 16 <i>(use for part number 128004)</i> | |
| 4 | 70483GT | FORMING,8.5' MUFLER MOUNT.....2 | |
| 5 | 6888GT | SCREW,HHC,1/4-20 X 1 | |
| 6 | 6638GT | WASHER,FLAT,USS,1/4"Y | |
| 7 | 6091GT | NUT,NYLOCK,1/4-20 | |
| 8 | 6090GT | SCREW,HHC,1/4-20 X .75 | |
| 9 | 56912GT | SPRING CLIP,1/4-20,.025-.15X.54,ZAG | |
| 10 | 102972GT | BELT GUARD W/DECAL PERKINS | |
| -- | 101624PGT | FORMING,BELT GUARD PAINTED | |
| 11 | 101607PGT | ENGINE MOUNT,RF PAINTED.....1 | |
| 12 | 27584GT | SCREW,HHC,M12 X 35MM | |
| 13 | 49410GT | WASHER,FLAT,M12 | |
| 14 | 101615PGT | BRACKET,FUEL PUMP PAINTED.....1 | |
| 15 | 8516GT | SCREW, HCC, 3/8-16 X 1.50 | |
| 16 | 6097GT | WASHER,FLAT,USS,3/8",Y | |
| 17 | 4828GT | NUT,NYLOCK,3/8-16 | |
| 18 | 107546GT | STARTER MOTOR,PERKINS(804C-33).....1 | |
| 19 | 101609GT | ENGINE MOUNT,RR.....1 | |
| 20 | 27584GT | SCREW,HHC,M12 X 35MM | |
| 21 | 5397GT | WASHER,FLAT,USS,5/16",Y | |
| 22 | 37003GT | COUPLER,HUB,15 TOOTH 7/16BOLT*.....1 <i>from SN 329 to SN 1485</i> | |
| -- | 128004GT | COUPLER,15 TOOTH,FBA,SAE8*** <i>from SN 1486</i> | |
| -- | 128023GT | KIT,FBA STYLE COUPLER,SAE8 <i>(replaces the flex plate and coupler), from SN 329 to SN 1485</i> | |
| -- | 33024GT | FLYWHEEL FLANGE,GREEN PLASTIC.....1 <i>from SN 329 to SN 1485</i> | |
| 23 | 27034GT | SCREW,HHC,M10 X 25MM,GR 8.8 | |
| 24 | 22699GT | WASHER,FLAT,M10,ZINC PLTD. | |
| 25 | 61781GT | CASTING,SAE 4 PUMP MOUNT,MACHI.....1 | |
| 26 | | Ref. Drive Pump (refer to 710.1) <i>(refer to 710.1)</i> | |
| 27 | | Ref. Function Pump (refer to 710.1) <i>(refer to 710.1)</i> | |

408.1 Perkins 404F-22T Engine - View 1



408.1 Perkins 404F-22T Engine - View 1

| Item | Part No. | Description | Qty. | Item | Part No. | Description | Qty. |
|------|-----------|---|------|------|-----------|---|------|
| -- | | Due to Tier 4 regulations, many engine replacement parts require engine serial number at time of order placement. When ordering engine parts please have both machine and engine serial numbers available. For internal engine parts, contact engine dealer | | -- | 1262597GT | EXHAUST VALVE,PERKINS 404F | |
| -- | 1261962GT | BREATHER, PERKINS 404F-22T | | -- | 1262599GT | DIESEL PARTICULATE FILTER,PERKINS 404F | |
| -- | 1261979GT | LIFT PUMP,PERKINS 404F-22T | | -- | 1262607GT | DIESEL OXIDATION CATALYST,PERKINS 404F | |
| -- | 1261981GT | FUEL INJECTION PUMP,PERKINS 404F-22T | | -- | 1262608GT | VALVE SPRING,PERKINS 404D/F | |
| -- | 1262015GT | SPEED SENSOR CAM,PERKINS 404F-22T | | -- | 214336GT | ENGINE KIT, PERKINS 404F-22T | |
| -- | 1262018GT | ATOMISER (FUEL INJECTOR),PERKINS 404F-22T | | -- | 826637GT | HARNESS,PERKINS,TIER4,Z80 | |
| -- | 1262019GT | SEAL-INJECTOR,PERKINS 404D/F-22T | | -- | 826710GT | HARNESS, EXTENSION, 404F-22 to SN Z8016H-6110 | |
| -- | 1262021GT | TURBOCHARGER,PERKINS 404F-22T | | -- | 1272074GT | ASSEMBLY, JUNCTION, 404F-EXT, Z80 from SN Z8016H-6111 | |
| -- | 1262023GT | GASKET-TURBOCHARGER,PERKINS 404D/F-22T | | 1 | 824132GT | SCREW,HHF,M8-1.25X20,DIN6921,10.9,ZAB.5 | |
| -- | 1262024GT | GASKET(TURBOCHGR EXH),PERKINS 404D/F-22T | | 2 | 60585GT | ISOLATOR,VIBRATION,M8 MALE/FEM.....3 | |
| -- | 1262026GT | IGNITION UNIT,PERKINS 404F-22T | | 3 | 230820GT | SPRING CLIP, M8-1.25, 0.8-4.0 X 13, ZAB.....2 | |
| -- | 1262027GT | PRESSURE PUMP,PERKINS 404F-22T | | 4 | 110149GT | CABLE TIE,DFT MOUNT,BLK,6.5".....2 | |
| -- | 1262028GT | GASKET(CLEAN EMISN MOD),PERKINS 404F-22T | | 5 | 237832GT | NUT,TL FLG,M8-1.25,DIN6927,10,ZAB.....1 | |
| -- | 1262050GT | WATER PUMP PULLEY,PERKINS 404D | | 6 | 70367GT | BOTTLE,COOLANT RECOVERY,3.7***.....1 | |
| -- | 1262470GT | OIL PRESSURE SWITCH,PERKINS 404F-22T | | 7 | 1253192GT | FAN SHROUD,PERKINS 404F-22T.....1 | |
| -- | 1262475GT | SPEED SENSOR,CRANK SHAFT,PERKINS 404F-22T | | 8 | 110304GT | RADIATOR,FORD/PERKINS***.....1 | |
| -- | 1262476GT | AIR PRESSURE SENSOR,PERKINS 404F-22T | | -- | 65473GT | CAP,RADIATOR,PERKINS/FORD | |
| -- | 1262479GT | OIL FILLER CAP,TIMING CASE,PERKINS 404D/F-22T | | 9 | 1254282GT | SHROUD,CNTRWT,Z80 404D-22T.....1 | |
| -- | 1262482GT | OIL COOLER,PERKINS 404D/F-22T | | 10 | 119218GT | TRIM,EDGE,1/8X3/4 SIDE BULB.....81-inches | |
| -- | 1262485GT | SUMP DRAIN PLUG,PERKINS 404D/F-22T | | 11 | 824220GT | SCREW, PHPM SEMS ET, 10-24 X .5, ZAG.....6 | |
| -- | 1262487GT | BELT,AIR PUMP,PERKINS 404F-22T | | 12 | 1253185GT | WASHER,FLAT,#10,USS,ZAG.....6 | |
| -- | 1262492GT | GASKET,CYL HEAD COVER,404F-22T | | 13 | 73575GT | SPRING CLIP,10-24,.025-.125X.468,ZAG.....3 | |
| -- | 1262493GT | STARTING RING,PERKINS 404D/F-22T | | 14 | 1254471GT | GUARD,FAN,PERKINS 404F-22T.....1 | |
| -- | 1262495GT | CRANKSHAFT PULLEY,PERKINS 404F-22T | | 15 | 35434GT | CLAMP,HOSE,2.00***.....2 | |
| -- | 1262499GT | GASKET,LIFT PUMP,PERKINS 404F-22T | | 16 | 1252473GT | HOSE,LOWER RADIATOR,PERK.....1 | |
| -- | 1262501GT | GASKET,EXHAUST MANIFOLD,PERKINS 404F-22T | | 17 | 1253193GT | BRACKET,LOWER RADIATOR.....1 | |
| -- | 1262502GT | OIL SUCTION STRAINER,PERKINS 404D/F-22T | | 18 | 824029GT | NUT,TL FLG,3/8-16,G,ZAG.....4 | |
| -- | 1262594GT | CYLINDER HEAD COVER,PERKINS 404F | | 19 | 824120GT | WASHER,FLAT,.375X1.50X.125,ZAG.....2 | |
| -- | 1262596GT | INTAKE VALVE,PERKINS 404D/F | | 20 | 24038GT | SHOCK MOUNT,SMALL.....4 | |
| | | | | 21 | 1253319GT | NUT,TL,FLG,5/8-11,G,ZAG.....2 | |
| | | | | 22 | 1253208GT | SCREW,HHF,5/8-11X1.5,8,ZAG.....2 | |
| | | | | 23 | | Ref. Engine Tray refer to 431.1 | |
| | | | | 24 | 825907GT | WELDMENT, EXHAUST SUPPORT.....1 | |
| | | | | 25 | 824090GT | SCREW,HHF,3/8-16X1,8,ZAG.....2 | |

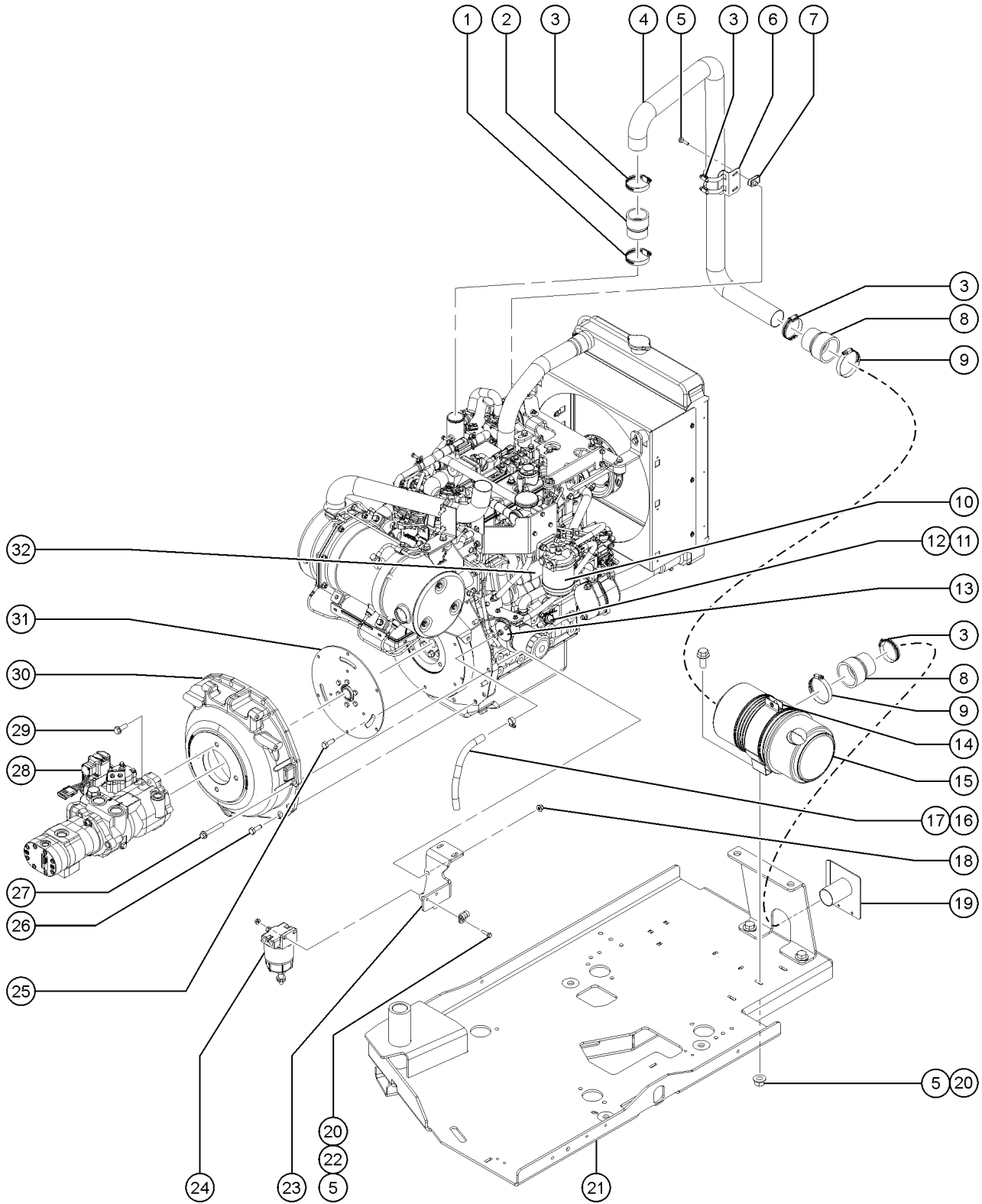


408.1 Perkins 404F-22T Engine - View 1
(continued)

| Item | Part No. | Description | Qty. |
|------|-----------|---|------|
| 26 | 1254281GT | FORMING, EXHAUST SUPPORT, PER..... | 1 |
| 27 | 94762GT | OIL FILTER - PERKINS..... | 1 |
| 28 | 21465GT | CLAMP,HOSE,.25" - .63" X .3125..... | 2 |
| 29 | 826765GT | TUBE, STEEL, FUEL RETURN, 404F..... | 1 |
| 30 | 70385GT | CLAMP,EXHAUST,2.00 PLATED..... | 2 |
| 31 | 1251864GT | TAILPIPE, Z80 404F-22..... | 1 |
| 32 | 22672GT | CLAMP,HOSE,1.75..... | 1 |
| 33 | 1252979GT | HOSE,UPPER RADIATOR,PERK..... | 1 |
| 34 | 106226GT | TUBING,VINYL,1/2" CLEAR..... | 1 |
| 35 | 1251983GT | SCREW,HHF,M8-1.25X16,DIN6921,10.9,ZAB.1 | 1 |
| 36 | 1253194GT | BRACE,UPPER RADIATOR SUPPORT,..... | 1 |
| 37 | 824027GT | NUT,TL FLG,1/4-20,G,ZAG..... | 2 |
| 38 | 13268GT | CLAMP,0.75,#12 X 1/4,RUB CUSH..... | 2 |
| 39 | 824079GT | SCREW,HHF,1/4-20X1,8,ZAG..... | 2 |
| 40 | 1253191GT | BRACKET,UPPER RADIATOR..... | 1 |

This Page Intentionally Left Blank

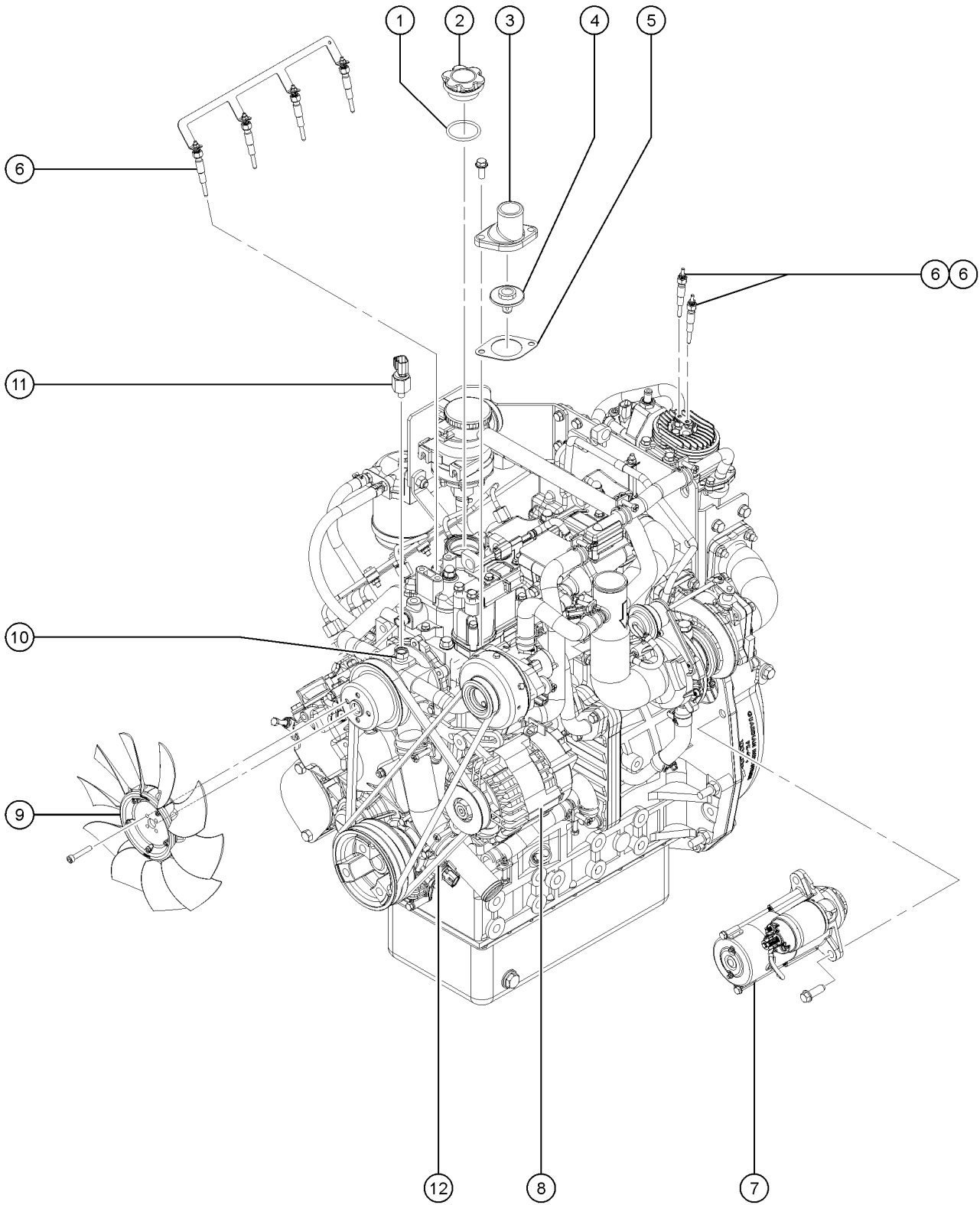
409.1 Perkins 404F-22T Engine - View 2



409.1 Perkins 404F-22T Engine - View 2

| Item | Part No. | Description | Qty. | Item | Part No. | Description | Qty. |
|------|-----------|--|------|------|----------|--|------|
| -- | | <i>Due to Tier 4 regulations, many engine replacement parts require the engine serial number at time of order placement. When ordering engine parts please have both machine and engine serial numbers available. For internal engine parts, contact engine dealer</i> | | 27 | 27034GT | SCREW,HHC,M10 X 25MM,GR 8.8.....8 | |
| | | | | 28 | | Ref. DRIVE PUMP AND FUNCTION PUMP (refer to 710.1) | |
| | | | | 29 | 123167GT | FLGHCS,1/2-13X1.50,GR8,BLK PH.....2 | |
| | | | | 30 | 824507GT | PUMP MOUNT,PERKINS 404F-22.....1 | |
| | | | | 31 | 128003GT | COUPLER,15 TOOTH,FBA,PERKINS**1 <i>includes grease</i> | |
| | | | | 32 | 106663GT | SOLENOID,SHUT DOWN PERKIN40422.....1 | |
| | | | | -- | 85124GT | GASKET,SOLENOID,PERKINS 72350 | |
| 1 | 35434GT | CLAMP,HOSE,2.00***.....1 | | | | | |
| 2 | 1253487GT | ADAPTER, 2" TO 1.8", PERK 404F.....1 | | | | | |
| 3 | 45435GT | CLAMP,HOSE,2.50***.....4 | | | | | |
| 4 | 1254161GT | TUBE,INTAKE,PERKINS 404F-22T.....1 | | | | | |
| 5 | 824079GT | SCREW,HHF,1/4-20X1,8,ZAG.....6 | | | | | |
| 6 | 823751GT | BRACKET,INTAKE PIPE,MOUNT,DEUT.....1 | | | | | |
| 7 | 56912GT | SPRING CLIP,1/4-20,.025-.15X.54,ZAG.....2 | | | | | |
| 8 | 216150GT | ADAPTER,AIR HOSE,PERK 404F.....2 | | | | | |
| 9 | 30971GT | CLAMP,HOSE,3.00".....2 | | | | | |
| 10 | 94889GT | FUEL FILTER ASSEMBLY.....1 | | | | | |
| -- | 62421GT | FILTER,FUEL,PERKINS | | | | | |
| 11 | 89759GT | DIPSTICK, OIL (PERKINS 404).....1 | | | | | |
| 12 | 97461GT | DIPSTICK TUBE,PERKINS(403C-11).....1 | | | | | |
| 13 | 1252944GT | PUMP,FUEL LIFT,PERKINS 404F.....1 | | | | | |
| 14 | 53952GT | BRKT,AIR CLEANER ORIENTATION**1 <i>Includes mounting fasteners</i> | | | | | |
| 15 | 63463GT | AIR CLEANER,NELSON***1 <i>plastic housing (includes item 14)</i> | | | | | |
| -- | 52866GT | EVACUATOR VALVE-AIR CLEANER | | | | | |
| -- | 58415GT | CLIP,AIR CLEANER END CAP*** <i>end cap not available separately</i> | | | | | |
| -- | 62420GT | FILTER,AIR*** | | | | | |
| -- | 65810GT | BAFFLE, AIR CLEANER (27915)** | | | | | |
| 16 | 826060GT | HOSE,.375",SAE 30R7,10" LG.....10-inches | | | | | |
| 17 | 21465GT | CLAMP,HOSE,.25" - .63" X .3125.....1 | | | | | |
| 18 | 231529GT | NUT,TL FLG,M10-1.5,DIN6927,10,ZAB | | | | | |
| 19 | 1253431GT | WELDMENT,INTAKE,PERKINS 404F-....1 | | | | | |
| 20 | 824027GT | NUT,TL FLG,1/4-20,G,ZAG.....4 | | | | | |
| 21 | | Ref. Engine tray <i>(refer to 431.1)</i> | | | | | |
| 22 | 45470GT | CLAMP,0.31,#5 X 1/4,RUB CUSH.....2 | | | | | |
| 23 | 128588GT | FORMING,SOLENOID MOUNT.....1 | | | | | |
| 24 | 75020GT | SEPRTR/FLTR,FUEL DSL,15GPH,.30....1 | | | | | |
| -- | 62433GT | FILTER,ELEMENT,30 MIC,75020 | | | | | |
| 25 | 128024GT | SCREW, HHC, M8 X 1.25 X 12.....6 | | | | | |
| 26 | 75052GT | SCREW,SER/FLNG 10M-1.5X20MM BK.....8 | | | | | |

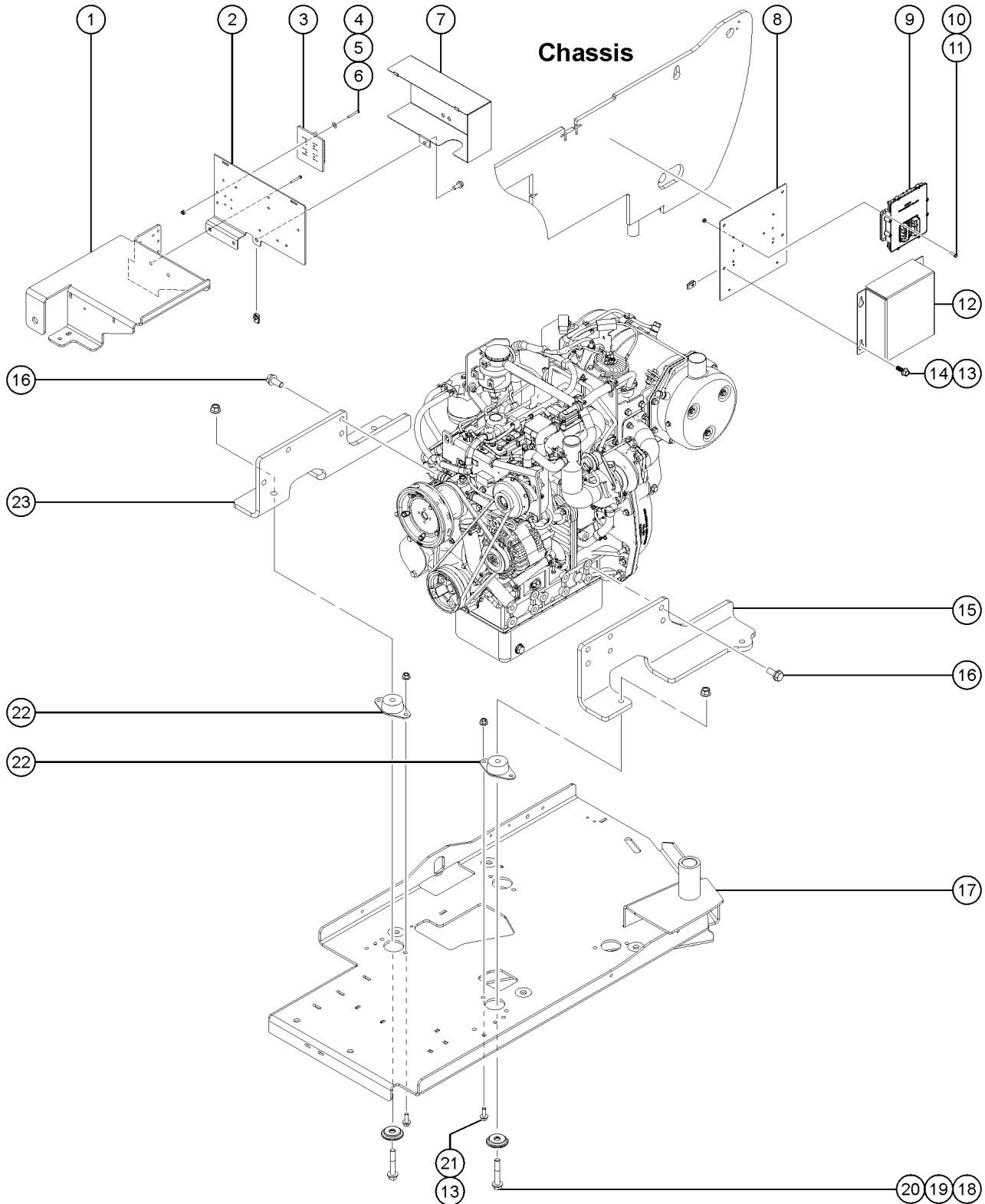
410.1 Perkins 404F-22T Engine - View 3



410.1 Perkins 404F-22T Engine - View 3

| Item | Part No. | Description | Qty. |
|------|-----------|--|------|
| -- | | <i>Due to Tier 4 regulations, many engine replacement parts require the engine serial number at time of order placement. When ordering engine parts please have both machine and engine serial numbers available. For internal engine parts, contact engine dealer</i> | |
| -- | 97473GT | SENSOR,WATER TEMPERATURE | |
| -- | 1251819GT | GASKET,EXHAUST MANIFOLD,PERK | |
| 1 | 65638GT | SEAL, OIL FILLER CAP..... | 1 |
| 2 | 65636GT | CAP, OIL FILLER..... | 1 |
| 3 | 128986GT | WATER OUTLET, VERTICAL..... | 1 |
| 4 | 128991GT | THERMOSTAT..... | 1 |
| 5 | 147355GT | GASKET-THERMOSTAT HSG..... <i>for 128991</i> | 1 |
| 6 | 77736GT | GLOW PLUG (PERKINS 404-22)..... | 6 |
| 7 | 1252940GT | STARTER,PERKINS 404F..... <i>no componets available from supplier</i> | 1 |
| 8 | 1251814GT | ALTERNATOR - 85 AMP, INT REGULATED..... | 1 |
| 9 | 1252686GT | FAN,10 BLADE,17",PERKINS 404F-..... | 1 |
| 10 | 128987GT | WATER PUMP..... | 1 |
| 11 | 101321GT | SWITCH,OIL PRESSURE..... | 1 |
| 12 | 89765GT | BELT, V (PERKINS 404)..... | 1 |

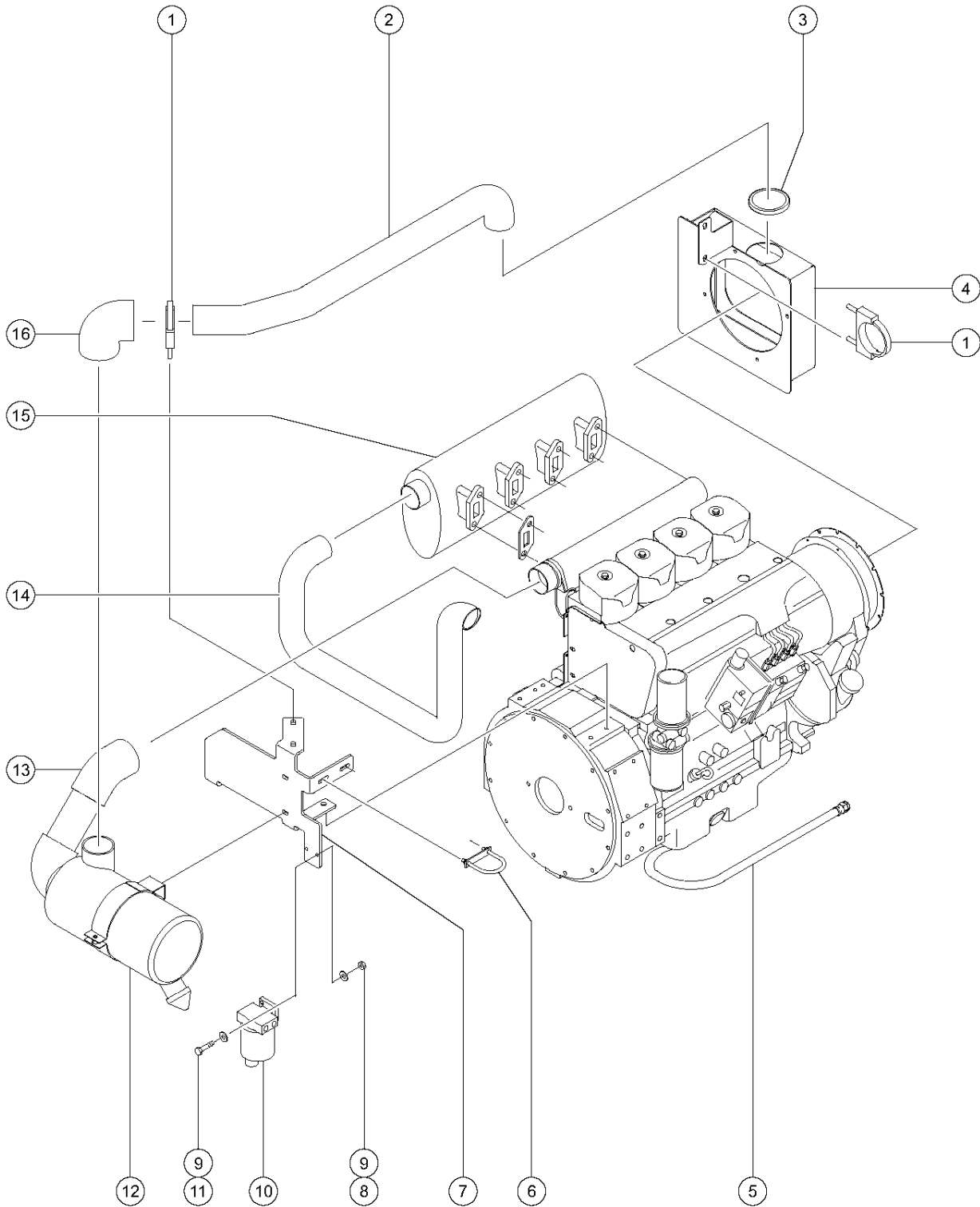
411.1 Perkins 404F-22T Engine - View 4



411.1 Perkins 404F-22T Engine - View 4

| Item | Part No. | Description | Qty. |
|------|-----------|--|------|
| -- | | <i>Due to Tier 4 regulations, many engine replacement parts require the engine serial number at time of order placement. When ordering engine parts please have both machine and engine serial numbers available. For internal engine parts, contact engine dealer</i> | |
| 1 | 81615GT | TRAY,BATTERY..... | 1 |
| 2 | 1254354GT | FORMING, FUSE PANEL, Z80..... | 1 |
| 3 | 1254689GT | FORMING, FUSE PANEL, Z80..... (Includes items 2 and 5) | 1 |
| -- | 1254690GT | FUSE HOLDER, ATC, 8POS 2BUSS | |
| -- | 62822GT | FUSE,15A SWITCH (62823) | |
| 4 | 49821GT | SCREW,PHILLIPS,PHM,8-32 X 1.25..... | 4 |
| 5 | 56306GT | WASHER,FLAT NYLON #10..... | 4 |
| 6 | 6178GT | NUT,NYLOCK,10-32..... | 4 |
| 7 | 1254355GT | FORMING, COVER, FUSE PANEL..... | 1 |
| 8 | 826212GT | PLATE, ECM MOUNT, Z80..... | 1 |
| 9 | 216065GT | ECM, PERKINS 404F-22..... | 1 |
| 10 | 824079GT | SCREW,HHF,1/4-20X1,8,ZAG..... | 4 |
| 11 | 824027GT | NUT,TL FLG,1/4-20,G,ZAG..... | 4 |
| 12 | 826211GT | FORMING, ECM COVER, Z80..... | 1 |
| 13 | 824090GT | SCREW,HHF,3/8-16X1,8,ZAG..... | 8 |
| 14 | 29868GT | SPRING CLIP,3/8-16,.05-.20X.73,ZAG.... | 4 |
| 15 | 1253574GT | FORMING, ENGINE MOUNT, LH..... | 1 |
| 16 | 1251899GT | SCREW,HHF,M14-2.0X40,DIN6921,10.9,ZAB.11 | |
| 17 | | Ref. WLDMT, ENGINE TRAY, Z80 T4 DEU..... (refer to 431.1) | 1 |
| 18 | 1251994GT | SCREW,HHF,1/2-13X3,8,ZAG..... | 4 |
| 19 | 102066GT | CASTING,WASHER,REBOUND..... | 4 |
| 20 | 1251997GT | NUT,TL FLG,1/2-13,G,ZAG..... | 4 |
| 21 | 824029GT | NUT,TL FLG,3/8-16,G,ZAG..... | 4 |
| 22 | 70452GT | ISOLATOR,ENGINE VIBRATION*** | 2 |
| 23 | 1253573GT | FORMING, ENGINE MOUNT, RH..... | 1 |

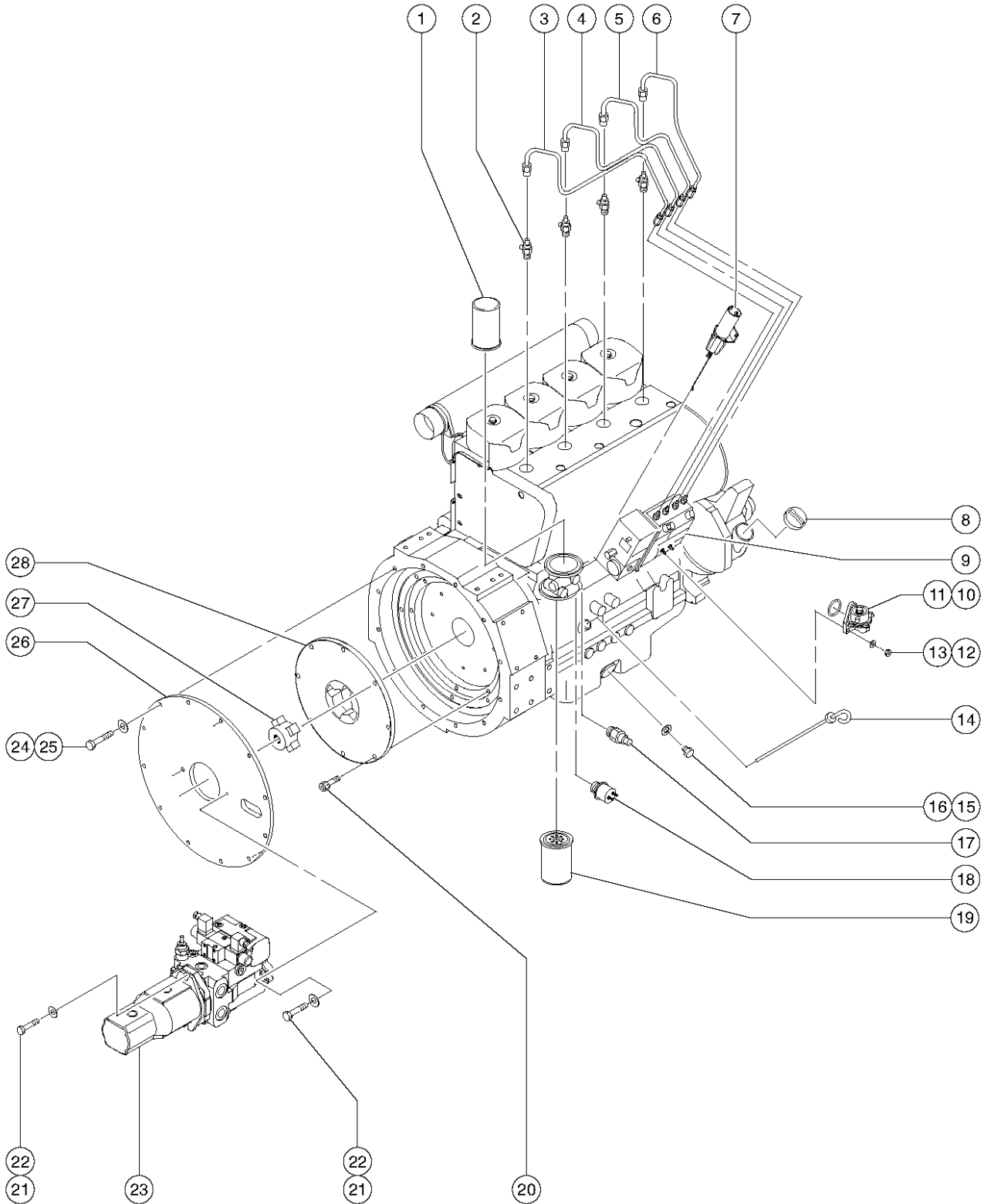
412.1 Deutz F4L-913 Engine - View 1 (to SN 338)



412.1 Deutz F4L-913 Engine - View 1 (to SN 338)

| Item | Part No. | Description | Qty. |
|------|-------------|---|------|
| -- | 88134GT | HARNES,DEUTZ ENGINE,F4L913 | |
| -- | 88173PGT | FORMING,DUETZ INTAKE BAFFLE | |
| 1 | 61273GT | CLAMP-HEAVY DUTY.....2 | |
| 2 | 81469GT | TUBE,INLET,DEUTZ.....1 | |
| 3 | 44669GT | GROMMET,RUBBER 3 X .13 X 3.25.....1 | |
| 4 | 102973GT | INTAKE BOX W/DECAL DEUTZ T1.....1 | |
| 5 | 81782GT | HOSE ASSY,DEUTZ OIL DRAIN 1/2".....1 | |
| -- | 49213GT | HOSE END,BARBED,SWIVEL,JIC,8-8 | |
| -- | 63426GT | PLUG,070109-8 | |
| -- | 81781GT | ADAPTER,DEUTZ OIL DRAIN | |
| 6 | 16584GT | U-BOLT, KIT 5/16-18 X 2.5 ***1 | |
| 7 | 81471PGT | BRACKET,AIR CLEANER/EXHAUST PT.....1 | |
| 8 | 6091GT | NUT,NYLOCK,1/4-20 | |
| 9 | 6638GT | WASHER,FLAT,USS,1/4"Y | |
| 10 | 81199GT | SEPARATOR/FILTER,FUEL-D,30MIC.....1 | |
| -- | 65853GT | FILTER,FUEL/WATER SEPARATOR*** | |
| 11 | 8915GT | SCREW,HHC,1/4-20 X 1.25 | |
| 12 | 81467GT | AIR CLEANER,NELSON.....1 | |
| -- | 62425GT | FILTER,AIR CLEANER,SUPERBOOM | |
| -- | 81468GT | MOUNTING BAND,AIR CLEANER | |
| 13 | 61270GT | ELBOW,45 DEG,INLET.....1 | |
| -- | 60561GT | ELBOW,INLET,CUMMINS | |
| -- | 81906-700GT | TUBE,RD,ALUM 3 X .188 | |
| 14 | 81470GT | TAILPIPE,DEUTZ 913 S80.....1 | |
| 15 | 75359GT | MUFFLER,DEUTZ,F4L913.....1 | |
| -- | 75000GT | MUFFLER,CATALYTIC,DEUTZ*F4L913 | |
| -- | 75360GT | GASKET,EXAUST,DEUTZ F4L913 | |
| 16 | 60561GT | ELBOW,INLET,CUMMINS.....1 | |

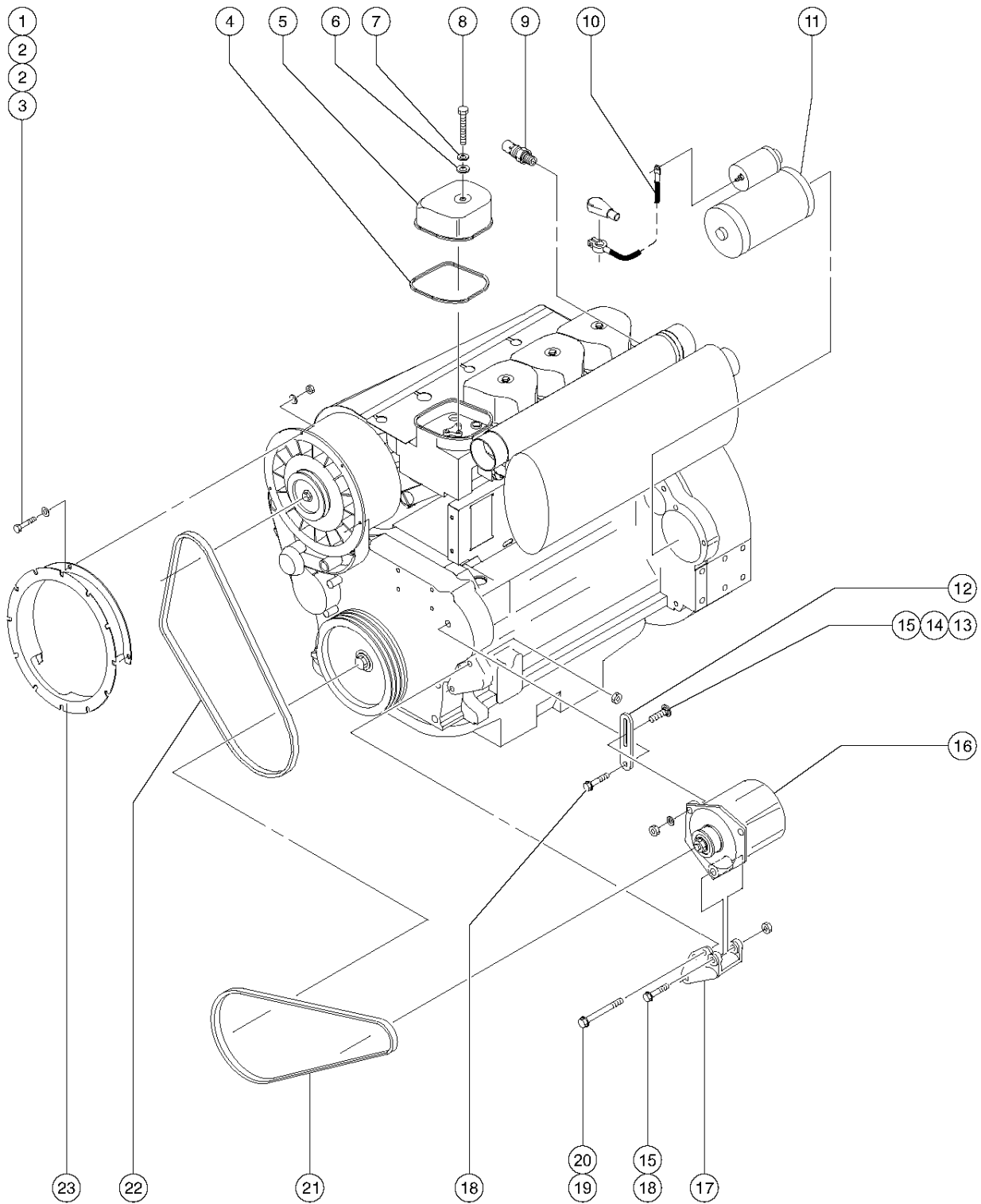
413.1 Deutz F4L-913 Engine - View 2 (to SN 338)



413.1 Deutz F4L-913 Engine - View 2 (to SN 338)

| Item | Part No. | Description | Qty. |
|------|----------|---|------|
| 1 | 108543GT | FILTER / FUEL / SPIN-ON..... | 1 |
| -- | 58566GT | FILTER HEAD (29560) <i>plastic</i> | |
| 2 | 75361GT | INJECTOR,FUEL,DEUTZ F4L913..... | 4 |
| -- | 75378GT | SEAL,INJECTOR,DEUTZ F4L913 | |
| 3 | 75362GT | FUEL LINE,INJECT.1DEUTZ F4L913..... | 1 |
| 4 | 75363GT | FUEL LINE,INJECT.2DEUTZ F4L913..... | 1 |
| 5 | 75364GT | FUEL LINE,INJECT.3DEUTZ F4L913..... | 1 |
| 6 | 75365GT | FUEL LINE,INJECT.4DEUTZ F4L913..... | 1 |
| 7 | 75366GT | SOLENOID,SHUTDOWN DEUTZ F4L913..... | 1 |
| 8 | 75369GT | CAP,OIL FILLER, DEUTZ F4L913..... | 1 |
| -- | 75377GT | O-RING,OIL FILLER (75369) <i>includes sealing ring</i> | |
| 9 | 75370GT | PUMP,FUEL INJECTN.DEUTZ F4L913..... | 1 |
| -- | 75371GT | O-RING,FUEL INJ.PUMP (75370) <i>includes items 10-13</i> | |
| 10 | 75367GT | PUMP,FUEL LIFT DEUTZ F4L913..... | 1 |
| 11 | 72243GT | MOUNTING O-RING (75367)..... | 1 |
| 12 | 75379GT | NUT,M6,FUEL PUMP,DEUTZ F4L913 | |
| 13 | 75380GT | WASHER,LOCK,M6,DEUTZ F4L913 | |
| 14 | 75372GT | DIPSTICK,DEUTZ F4L913..... | 1 |
| -- | 75373GT | O-RING,DIPSTICK DEUTZ (75372) | |
| 15 | 75374GT | PLUG,ENGINE OIL, DEUTZ F4L913..... | 3 |
| 16 | 75375GT | WASHER,OIL DRAIN DEUTZ F4L913.... | 3 |
| 17 | 72355GT | OIL TEMP SENSOR(60323)..... | 1 |
| 18 | 75473GT | SENSOR,OIL PRS KIT,VDO0360-040.... | 1 |
| 19 | 62430GT | FILTER,OIL, DEUTZ F4L913..... | 1 |
| 20 | 61110GT | SCREW,SHC,M10X1.5X30 GR 12.9 | |
| 21 | 8177GT | SCREW,HHC,1/2-13 X 1.5 | |
| 22 | 13066GT | WASHER,FLAT,.5 HARDENED | |
| 23 | | Ref. Drive Pump Assembly (refer to 710.1) | |
| 24 | 44064GT | SCREW,HHC,M10 X 30MM, | |
| 25 | 22699GT | WASHER,FLAT,M10,ZINC PLTD. | |
| 26 | 63464PGT | PLATE, PUMP MOUNT, PAINTED***..... | 1 |
| 27 | 81473GT | COUPLER,HUB,15 TOOTH DEUTZ 913..... | 1 |
| 28 | 61078GT | FLYWHEEL DRIVE PLATE,SAE 10..... | 1 |

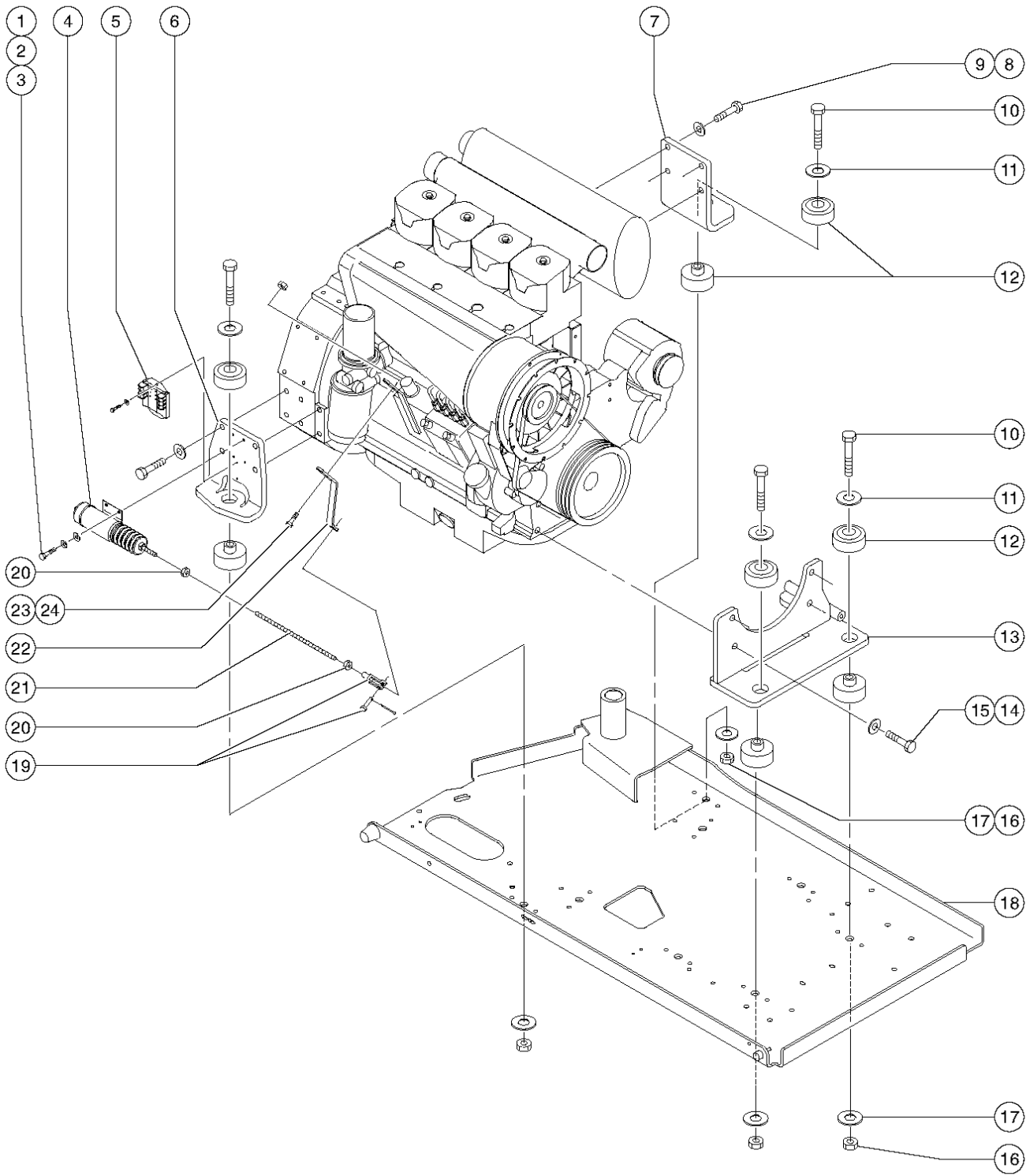
414.1 Deutz F4L-913 Engine - View 3 (to SN 338)



414.1 Deutz F4L-913 Engine - View 3 (to SN 338)

| Item | Part No. | Description | Qty. |
|------|-----------|--|------|
| -- | T107605GT | SWITCH,FAN BELT | |
| -- | T107606GT | HARNESS, FAN BELT SWITCH | |
| 1 | 75381GT | SCREW,HHC,M6 X 1 X 20 | |
| 2 | 75382GT | WASHER,FLAT,M6,DEUTZ F4L913 | |
| 3 | 75383GT | NUT,M6,BLOWER,DEUTZ F4L913 | |
| 4 | 75384GT | GASKET,CYL.COVR.DEUTZ F4L913.....4 | |
| 5 | 75385GT | CYLINDER HEAD CVR.DEUTZ F4L913.....4 | |
| 6 | 75388GT | SEAL,CYL.HED.CVR.DEUTZ,F4L913.....4 | |
| 7 | 75387GT | WASHER,CYL.HED CVR.DEUTZF4L913.....4 | |
| 8 | 75386GT | SCREW,HHC,M8 X 1.25 X 30 | |
| 9 | 75389GT | GLOW PLUG,DEUTZ F4L913.....1 | |
| -- | 75390GT | SOLENOID,GLOW PLUG,DEUTZF4L913 | |
| 10 | | Ref. Starter Battery Cable Assembly (refer to 423.1) | |
| 11 | 75391GT | STARTER, DEUTZ F4L913.....1 | |
| -- | 75392GT | SOLENOID,STARTER,DEUTZ F4L913 | |
| 12 | 75394GT | ALTERNATOR STAY,DEUTZ F4L913.....1 | |
| 13 | 75416GT | BOLT,CARRIAGE,M8X1.25X25,DEUTZ | |
| 14 | 75417GT | WASHER,FLAT,M8 DEUTZ, F4L913 | |
| 15 | 75418GT | NUT,M8,ALTERNATOR,DEUTZ F4L913 | |
| 16 | 75393GT | ALTERNATOR, DEUTZ (55AMP) ***.....1 | |
| 16B | 1274614GT | ALTERNATOR PULLEY | |
| 17 | 75419GT | ALTERNATOR,STAY,DEUTZ,F4L913.....1 | |
| 18 | 75420GT | SCREW,HHC,M8 X 1.25 X 120 | |
| 19 | 75421GT | SCREW,HHC,M10 X 1.5 X 140 | |
| 20 | 75422GT | NUT,HEX,M10,ALTER.DEUTZ F4L913 | |
| 21 | 62432GT | BELT,V, ALTERNATR.DEUTZ F4L913.....1 | |
| 22 | 62431GT | BELT,V, BLOWER, DEUTZ F4L913.....1 | |
| 22 | T107605GT | SWITCH,FAN BELT.....1 | |
| 22 | T107606GT | HARNESS, FAN BELT SWITCH.....1 | |
| 23 | 75423GT | SHROUD,DEUTZ,AIR INTAKE.....1 | |

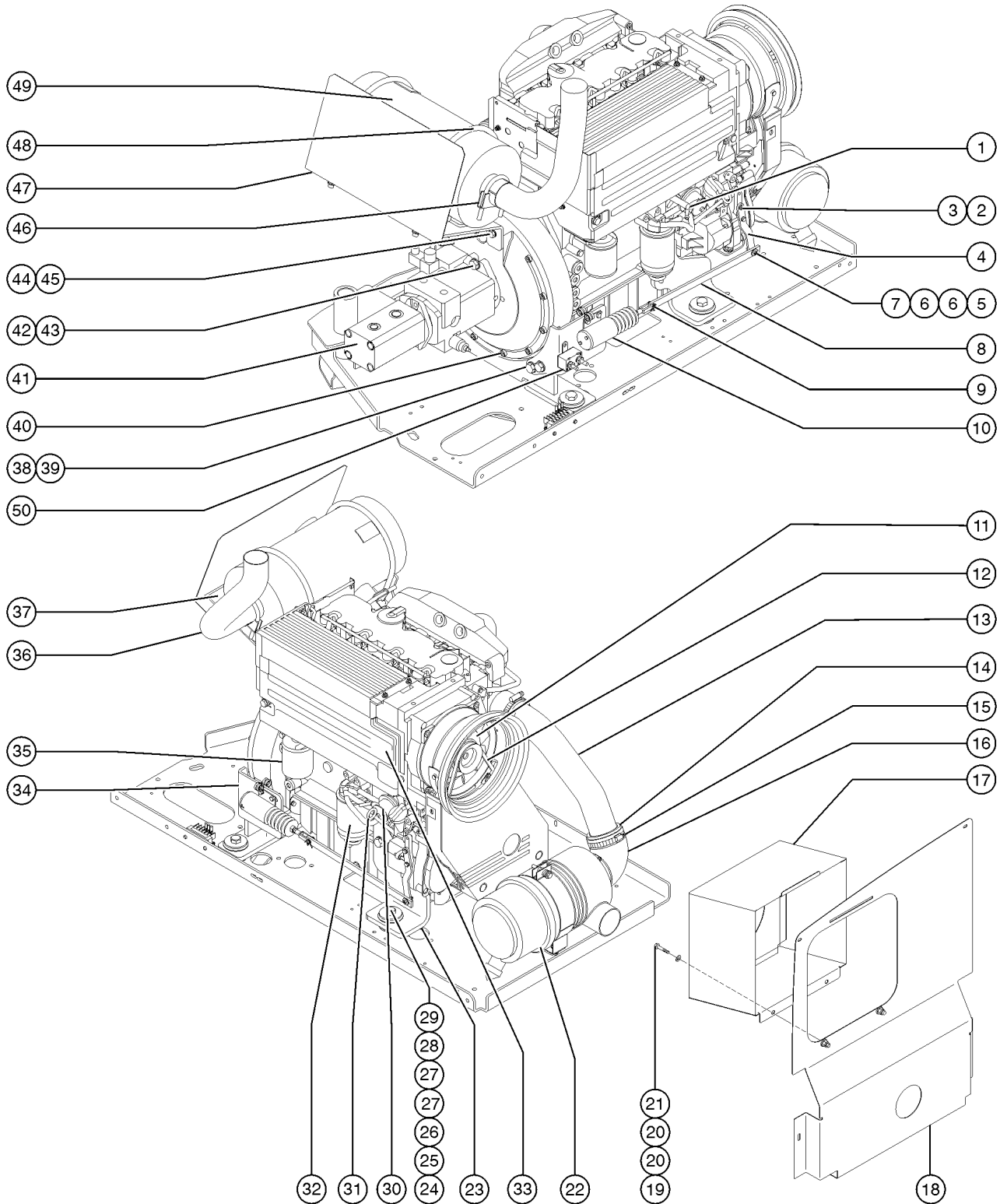
415.1 Deutz F4L-913 Engine - View 4 (to SN 338)



415.1 Deutz F4L-913 Engine - View 4 (to SN 338)

| Item | Part No. | Description | Qty. |
|------|--------------|--|------|
| 1 | 7339GT | SCREW,HHC,1/4-20 X .5 | |
| 2 | 6356GT | WASHER,LOCK,.25 | |
| 3 | 6638GT | WASHER,FLAT,USS,1/4"Y | |
| 4 | 89998GT | KIT,SERVICE,SOLENOID MODULE.....1 | |
| -- | 52537GT | BOOT,SOLENOID,29073 | |
| 5 | 89997GT | RELAY MODULE(89996,89998).....1 | |
| 6 | 81463PGT | ENGINE MOUNT,RR,DEUTZ 913 PNT...1 | |
| 7 | 81462PGT | ENGINE MOUNT,LR,DEUTZ 913 PNT....1 | |
| 8 | 60868GT | SCREW,HHC,M12 X 45 | |
| 9 | 49410GT | WASHER,FLAT,M12 | |
| 10 | 59746GT | SCREW,HHC,5/8-11 X 4.0***.....4 <i>for use with two-piece isolator</i> | |
| 10A | 13003GT | SCREW,HHC,5/8-11 X 3.5 GRD.8.....4 <i>for use with one-piece isolator 102045</i> | |
| 11 | 33418GT | WASHER,FLAT,625 X 2.25 X.15.....4 | |
| 12 | | ISOLATOR,TWO-PIECE <i>component no longer available</i> | |
| 12A | 102045GT | ISOLATOR,ENGINE VIBRATION.....4 | |
| 12A | 18596GT | WASHER,FLAT,1.56 X 2.5 X .061.....8 <i>for use with one-piece isolator 102045</i> | |
| 13 | 81464PGT | ENGINE MOUNT,FRONT,DEUTZ PAINT.....1 | |
| 14 | 75398GT | SCREW,HHC,M14 X 2 X 100 | |
| 15 | 75399GT | WASHER,FLAT,M14,DEUTZ F4L913 | |
| 16 | 6024GT | NUT,NYLOCK,5/8-11 | |
| 17 | 6035GT | WASHER,FLAT,USS,5/8",Y | |
| 18 | | Ref. Engine Tray (refer to 424.1) | |
| 19 | 21130GT | CLEVIS YOKE-1/4-28,PLTD W/PIN.....1 <i>includes clevis pin and cotter pin</i> | |
| 20 | 21496GT | NUT,HEX,1/4-28 | |
| 21 | 30785-1000GT | THREADED ROD,1/4-28 X 10 IN***.....1 | |
| 22 | 75082PGT | FORMING,THROTTLE ARM DEUTZ.PTD.....1 | |
| 23 | 6090GT | SCREW,HHC,1/4-20 X .75 | |
| 24 | 6889GT | NUT,LP NYLOCK,1/4-20 | |

416.1 Deutz BF4L-2011 / TD2011-L04i Engine - View 1 (from SN 339)



416.1 Deutz BF4L-2011 / TD2011-L04i Engine - View 1 (from SN 339)

| Item | Part No. | Description | Qty. | Item | Part No. | Description | Qty. |
|------|-----------|---|------|------|-----------|--|------|
| -- | 102581GT | PUMP,FUEL INJ,DEUTZ BF4L20 <i>class A injection pump; provide SN of engine to service to get correct injection pump (A, B, C, D)</i> | | -- | 50787-SGT | LEVER, GOVERNOR ACTUATOR <i>from SN 2326</i> | |
| -- | T108732GT | PUMP,FUEL INJ,DEUTZ BF4L20 <i>class B injection pump; provide SN of engine to service to get correct injection pump (A, B, C, D)</i> | | 5 | 6584GT | SCREW,SHS,10-24 X .625 | |
| -- | T108733GT | PUMP,FUEL INJ,DEUTZ BF4L20 <i>class C injection pump; provide SN of engine to service to get correct injection pump (A, B, C, D)</i> | | 6 | 6638GT | WASHER,FLAT,USS,1/4"Y | |
| -- | T108734GT | PUMP,FUEL INJ,DEUTZ BF4L20 <i>class D injection pump; provide SN of engine to service to get correct injection pump (A, B, C, D)</i> | | 7 | 5365GT | NUT,NYLOCK,10-24.....1 | |
| -- | 101848GT | HARNESS,DEUTZ ENGINE,BF4L2011 <i>from SN 339 to 1143</i> | | 8 | 88512GT | THROTTLE LINK,DSL***1 <i>from SN 339 to 2325</i> | |
| -- | 122052GT | HARNESS,DEUTZ ENGINE,BF4L2011 <i>from SN 1144 to 4764</i> | | -- | 139322GT | THROTTLE LINKAGE, DSL <i>from SN 2326</i> | |
| -- | 1253173GT | HARNESS,ENG,DEUTZ,BF4L2011,Z80 <i>from SN 4765</i> | | 9 | 21130GT | CLEVIS YOKE-1/4-28,PLTD W/PIN.....1 <i>includes clevis pin and cotter pin</i> | |
| -- | 125326GT | CIRCUIT BREAKER, AUTO RESET,6A <i>from SN 4765</i> | | 10 | 121615GT | THROTTLE SOLENOID ASSY, TROMB.....1 <i>from SN 2040</i> | |
| -- | 139983GT | EXHAUST PIPE GASKET <i>from SN 2178</i> | | -- | 128829GT | CIRCUIT BRKR 15A TYPE 2 METAL | |
| -- | 101638GT | OPTION, SPARK ARREST <i>from SN 339</i> | | -- | 89997GT | RELAY MODULE(89996,89998) <i>from SN 339 to 2039</i> | |
| K | 139612GT | KIT CB 15A T2 RPM SOLENOID 3W <i>includes item 128829; to SN 2439</i> | | -- | 89998GT | KIT,SERVICE,SOLENOID MODULE | |
| -- | 139624GT | SWITCH, OIL PRESSURE 1.5 BAR.....1 <i>(replaced 65765)</i> | | 11 | 58249GT | ALTERNATOR, DEUTZ,BF4L2011***.....1 | |
| -- | 139666GT | KIT,OP SWITCH,DEUTZ <i>(includes 139624 and instructions)</i> | | -- | 1280590GT | PULLEY,ALTERNATOR,DEUTZ BF4L2011 <i>for 58249</i> | |
| 1 | 111668GT | PUMP,FUEL 2011 DEUTZ ***1 <i>includes hand priming pump</i> | | -- | 1280591GT | SPACER,ALT PULLEY,DEUTZ BF4L2011 <i>for 58249</i> | |
| -- | 111402GT | O-RING, FUEL LIFT PUMP | | 12 | 102589GT | V-BELT, DEUTZ F4L2011.....1 <i>from SN 339 to 2177</i> | |
| -- | 27089GT | HOSE,5/16 FUEL,SAE 30R7 <i>from SN 339 to SN 998</i> | | -- | 58630GT | V-BELT, DEUTZ TD2011LOAI <i>from SN 2178</i> | |
| -- | 30490GT | HOSE,1/4 FUEL LINE,SAE 30R7 | | 13 | 102227GT | TUBE,AIR INTAKE.....1 | |
| 1A | T114678GT | SHUTDOWN SOLENOID,12V, DEUTZ....1 <i>(must order cable assembly, 58256, if replacing 32752) (includes o-ring)</i> | | 14 | 88064GT | REDUCER,3" TO 2.75".....1 | |
| -- | 45782GT | DIODE,6 AMP,200 PIV,BULK | | 15 | 30489GT | CLAMP,HOSE,3.50.....4 | |
| -- | 58256GT | SOLENOID CABLE ASSY*** | | 16 | 60561GT | ELBOW,INLET,CUMMINS.....1 | |
| -- | 72255GT | CONNECTOR, DEUTZ FUEL SHUTOFF* <i>(does not include diode, 45782)</i> | | 17 | 102974GT | INTAKE BOX W/DECAL DEUTZ TII.....1 <i>Airbox with word decals; to SN 2177</i> | |
| 2 | 22578GT | SCREW,HHC,M6 X 20MM,GR8.8 | | -- | 102239PGT | WELDMNT,AIR BOX PAINTED <i>Airbox with no decals; to SN 2177</i> | |
| 3 | 49407GT | WASHER,LOCK,M6 | | -- | 121410GT | WELDMNT,COOLING AIRBOX <i>Airbox with no decals; from SN 2178</i> | |
| 4 | 70479PGT | FORMING,THROTTLE ARM PAINTED...1 <i>from SN 339 to 2325</i> | | -- | 122388GT | DEUTZ,AIRBOX WITH WORD DECALS <i>Airbox with word decals; from SN 2178</i> | |
| | | | | 18 | 102228PGT | FORMING,INTAKE BAFFLE,DEUTZ.....1 <i>from SN 339 to 2177</i> | |
| | | | | -- | 122588GT | FORMING,INTAKE BAFFLE,Z80 <i>from SN 2178</i> | |
| | | | | 19 | 6175GT | SCREW,HHC,3/8-16 X 1 | |
| | | | | 20 | 5397GT | WASHER,FLAT,USS,5/16",Y | |
| | | | | 21 | 4828GT | NUT,NYLOCK,3/8-16 | |
| | | | | 22 | 81467GT | AIR CLEANER,NELSON.....1 | |
| | | | | -- | 62425GT | FILTER,AIR CLEANER,SUPERBOOM | |

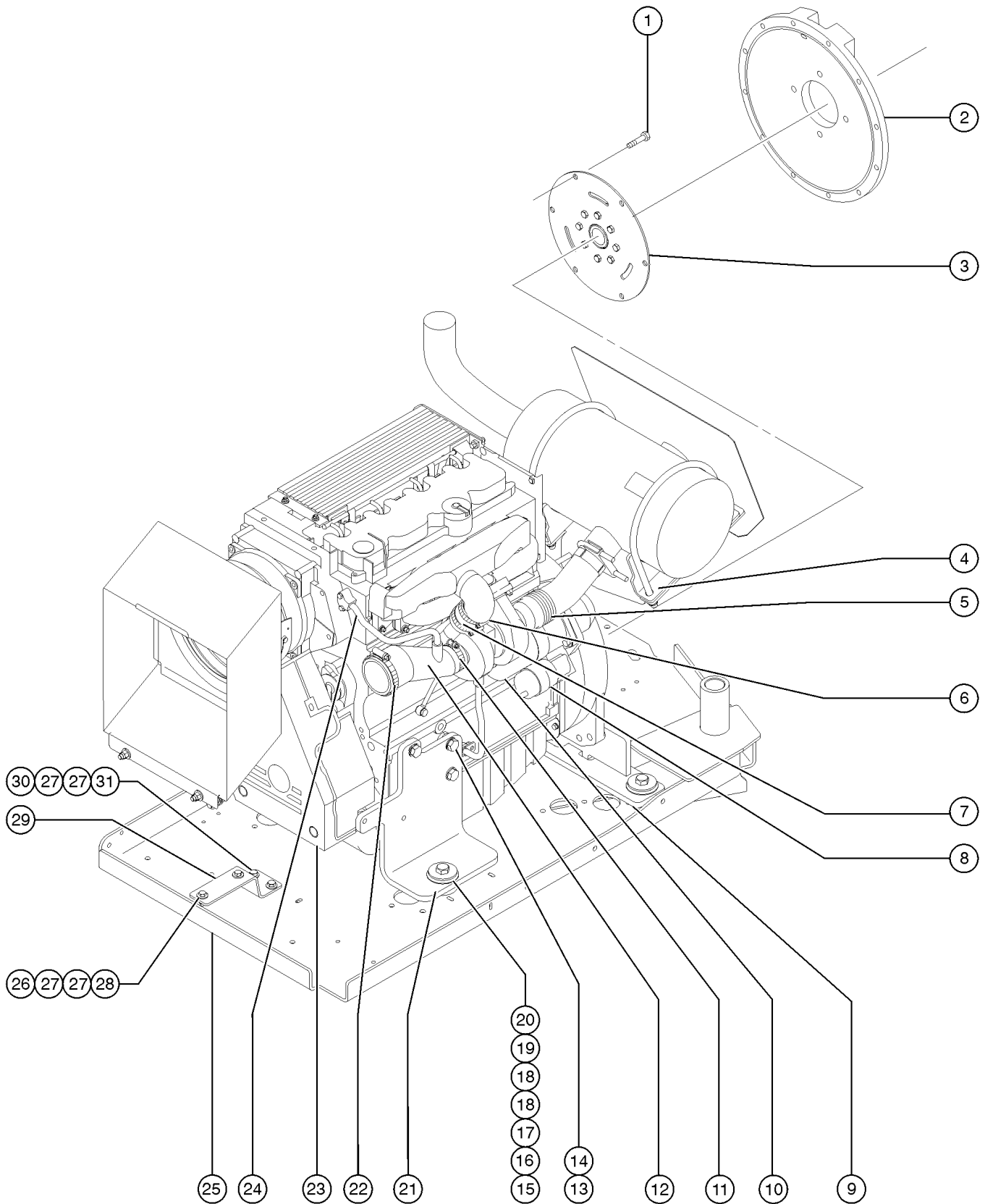
416.1 Deutz BF4L-2011 / TD2011-L04i Engine - View 1 (from SN 339) (continued)

| Item | Part No. | Description | Qty. | Item | Part No. | Description | Qty. |
|------|-----------|--|------|------|----------|--|------|
| -- | 81468GT | MOUNTING BAND,AIR CLEANER | | -- | 101633GT | MUFFLER,SPARK ARREST,2.5 I/O | |
| 23 | 70455PGT | FORMING,ENGINE MOUNT PAINTED...1 | | -- | 101634GT | MUFFLER,CATALYTIC,2.5 I/O | |
| 24 | 13003GT | SCREW,HHC,5/8-11 X 3.5 GRD.8.....6 | | 50 | 128829GT | CIRCUIT BRKR 15A TYPE 2 METAL <i>from SN 2440</i> | |
| 25 | 33418GT | WASHER,FLAT,.625 X 2.25 X .15 | | | | | |
| 26 | 102045GT | ISOLATOR,ENGINE VIBRATION.....6 | | | | | |
| 27 | 18596GT | WASHER,FLAT,1.56 X 2.5 X .061 | | | | | |
| 28 | 13064GT | WASHER,FLAT,.625 HARDENED.....4 | | | | | |
| 29 | 6024GT | NUT,NYLOCK,5/8-11 | | | | | |
| 30 | 58299GT | SENDING UNIT,OIL PRESS.,DEUTZ*....1 | | | | | |
| 31 | 49922GT | DIPSTICK - DEUTZ F4L1011F.....1 <i>to SN 2015</i> | | | | | |
| -- | 102585GT | O-RING,DIPSTICK,DEUTZ F4L2011 <i>use with item 49922; to SN 2015</i> | | | | | |
| -- | 52352GT | DIPSTICK-F3L1011F (DEUTZ) <i>from SN 2016</i> | | | | | |
| 32 | 29560GT | FILTER,FUEL/WTR SEP, DTZ 1008.....1 <i>Genie Genuine Part. See PN 1254826 for compatible aftermarket replacement.</i> | | | | | |
| -- | 1254826GT | FUEL FILTER W/SEP,DEUTZ,1008.....1 <i>Genie Aftermarket Part. Filter for Deutz F3L 1011F Engine.</i> | | | | | |
| 33 | 111445GT | SENDING UNIT,OIL TEMP SWCH,DTZ.....1 | | | | | |
| 34 | 70478PGT | FORMING,SOLENOID MOUNT PAINTED.....1 <i>from SN 339 to 2325</i> | | | | | |
| -- | 139321GT | FORMING, SOLENOID MOUNT*** <i>from SN 2326</i> | | | | | |
| 35 | 49924GT | FILTER,OIL,DEUTZ F4L1011F.....1 <i>Genie Genuine Part. See PN 1255653 for compatible aftermarket replacement.</i> | | | | | |
| -- | 1255653GT | FILTER,OIL,DEUTZ,REPLACEMENT.....1 <i>Genie Aftermarket Part. Compatible with Genie Genuine Part 49924.</i> | | | | | |
| 36 | 70465GT | TAILPIPE,DEUTZ BF4L2011.....1 | | | | | |
| 37 | 70448PGT | FORMING,MUFFLER MOUNT.....1 | | | | | |
| 38 | 22558GT | SCREW,HHC,M14 X 40MM,GR 8.8 | | | | | |
| 39 | 49411GT | WASHER,FLAT,M14 | | | | | |
| 40 | 61110GT | SCREW,SHC,M10X1.5X30 GR 12.9 | | | | | |
| 41 | | Ref. Drive Pump Assembly (refer to 710.1) | | | | | |
| 42 | 8177GT | SCREW,HHC,1/2-13 X 1.5 | | | | | |
| 43 | 13066GT | WASHER,FLAT,.5 HARDENED | | | | | |
| 44 | 85053GT | SCREW,HHC,M10 X 1.5 X70,GR 8.8 | | | | | |
| 45 | 22699GT | WASHER,FLAT,M10,ZINC PLTD. | | | | | |
| 46 | 71911GT | CLAMP,MUFFLER, 2.50 INCH.....2 | | | | | |
| 47 | 102237PGT | FORMING,HEAT SHIELD,MUFFLER.....1 | | | | | |
| 48 | 70449GT | U-BOLT,1/2-13 X 8.5.....2 | | | | | |
| 49 | 70444GT | MUFFLER,2.5"INLET/OUTLET.....1 | | | | | |

416.1 Deutz BF4L-2011 / TD2011-L04i Engine - View 1 (from SN 339)
(continued)

This Page Intentionally Left Blank

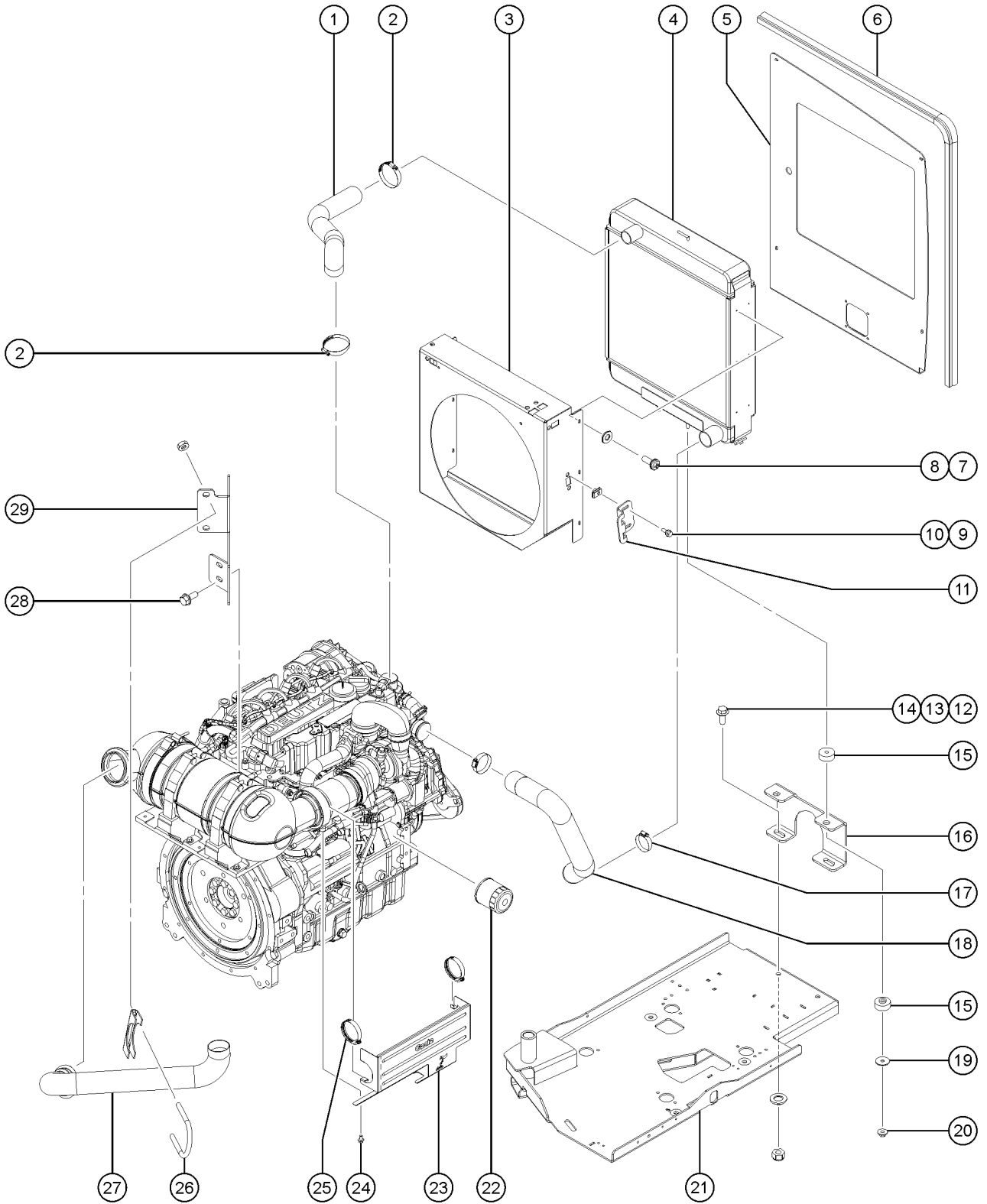
417.1 Deutz BF4L-2011 / TD2011-L04i Engine - View 2 (from SN 339)



417.1 Deutz BF4L-2011 / TD2011-L04i Engine - View 2 (from SN 339)

| Item | Part No. | Description | Qty. | Item | Part No. | Description | Qty. |
|------|----------|--|------|------|-----------|---|------|
| 1 | 44064GT | SCREW,HHC,M10 X 30MM, (use for part number 33024) | | 27 | 5397GT | WASHER,FLAT,USS,5/16",Y | |
| -- | 22699GT | WASHER,FLAT,M10,ZINC PLTD. (use for part number 33024) | | 28 | 6782GT | NUT,NYLOCK,5/16-18 | |
| -- | 62476GT | SCREW,SHC,M10X1.5X20MM (75090) (use for part number 128004) | | 29 | 102209PGT | FORMING,AIR CLEANER MOUNT PNTD.....1 | 1 |
| 2 | 70381GT | COVER,FLYWHEEL CASTING.....1 | | 30 | 6019GT | SCREW,HHC,3/8-16 X 1.25 GRD 5 | |
| 3 | 37003GT | COUPLER,HUB,15 TOOTH 7/16BOLT*.....1 from SN 339 to SN 1473 | 1 | 31 | 4828GT | NUT,NYLOCK,3/8-16 | |
| -- | 128004GT | COUPLER,15 TOOTH,FBA,SAE8*** from SN 1474 | | | | | |
| -- | 128023GT | KIT,FBA STYLE COUPLER,SAE8 (replaces the flex plate and coupler), from SN 339 to SN 1473 | | | | | |
| -- | 33024GT | FLYWHEEL FLANGE,GREEN PLASTIC.....1 from SN 339 to SN 1473 | 1 | | | | |
| 4 | 70483GT | FORMING,8.5' MUFFLER MOUNT.....1 | 1 | | | | |
| 5 | 70445GT | FLEX PIPE,EXHAUST,2.5" DIA.....1 | 1 | | | | |
| 5B | 139983GT | EXHAUST PIPE GASKET | | | | | |
| 5B | 71911GT | CLAMP,MUFFLER, 2.50 INCH | | | | | |
| 6 | 102593GT | CLAMP, 3 INCH.....2 | 2 | | | | |
| 7 | 226106GT | RUBBER SLEEVES, TD 2011L041.....1 | 1 | | | | |
| 8 | 49915GT | SOLENOID-STARTR DEUTZF4L1011F*.....1 | 1 | | | | |
| 9 | 70456GT | WELDMENT,REAR ENGINE MOUNT.....1 | 1 | | | | |
| 10 | 139709GT | STARTER, 12V.....1 | 1 | | | | |
| -- | 139621GT | KIT, HEAT GUARD, DEUTZ STARTER | | | | | |
| 11 | 30971GT | CLAMP,HOSE,3.00" | | | | | |
| 12 | 226103GT | INLET REDUCER,TD 2011L04I | | | | | |
| 13 | 22558GT | SCREW,HHC,M14 X 40MM,GR 8.8 | | | | | |
| 14 | 49411GT | WASHER,FLAT,M14 | | | | | |
| 15 | 13003GT | SCREW,HHC,5/8-11 X 3.5 GRD.8.....4 | 4 | | | | |
| 16 | 33418GT | WASHER,FLAT,.625 X 2.25 X .15 | | | | | |
| 17 | 102045GT | ISOLATOR,ENGINE VIBRATION.....4 | 4 | | | | |
| 18 | 18596GT | WASHER,FLAT,1.56 X 2.5 X .061 | | | | | |
| 19 | 13064GT | WASHER,FLAT,.625 HARDENED.....4 | 4 | | | | |
| 20 | 6024GT | NUT,NYLOCK,5/8-11 | | | | | |
| 21 | 70454PGT | FORMING,ENGINE MOUNT PAINTED...1 | 1 | | | | |
| 22 | 30489GT | CLAMP,HOSE,3.50 | | | | | |
| 23 | 146061GT | V-BELT GUARD, DEUTZ 2011.....1 | 1 | | | | |
| 24 | 226104GT | BREATHER PIPE, TD 2011L04I.....1 | 1 | | | | |
| -- | 226105GT | GASKET,BREATHER PIPE (226104) | | | | | |
| 25 | | Ref. Engine Tray (refer to 420.1) | | | | | |
| 26 | 13002GT | SCREW,HHC,5/16-18 X 1 GR5 | | | | | |

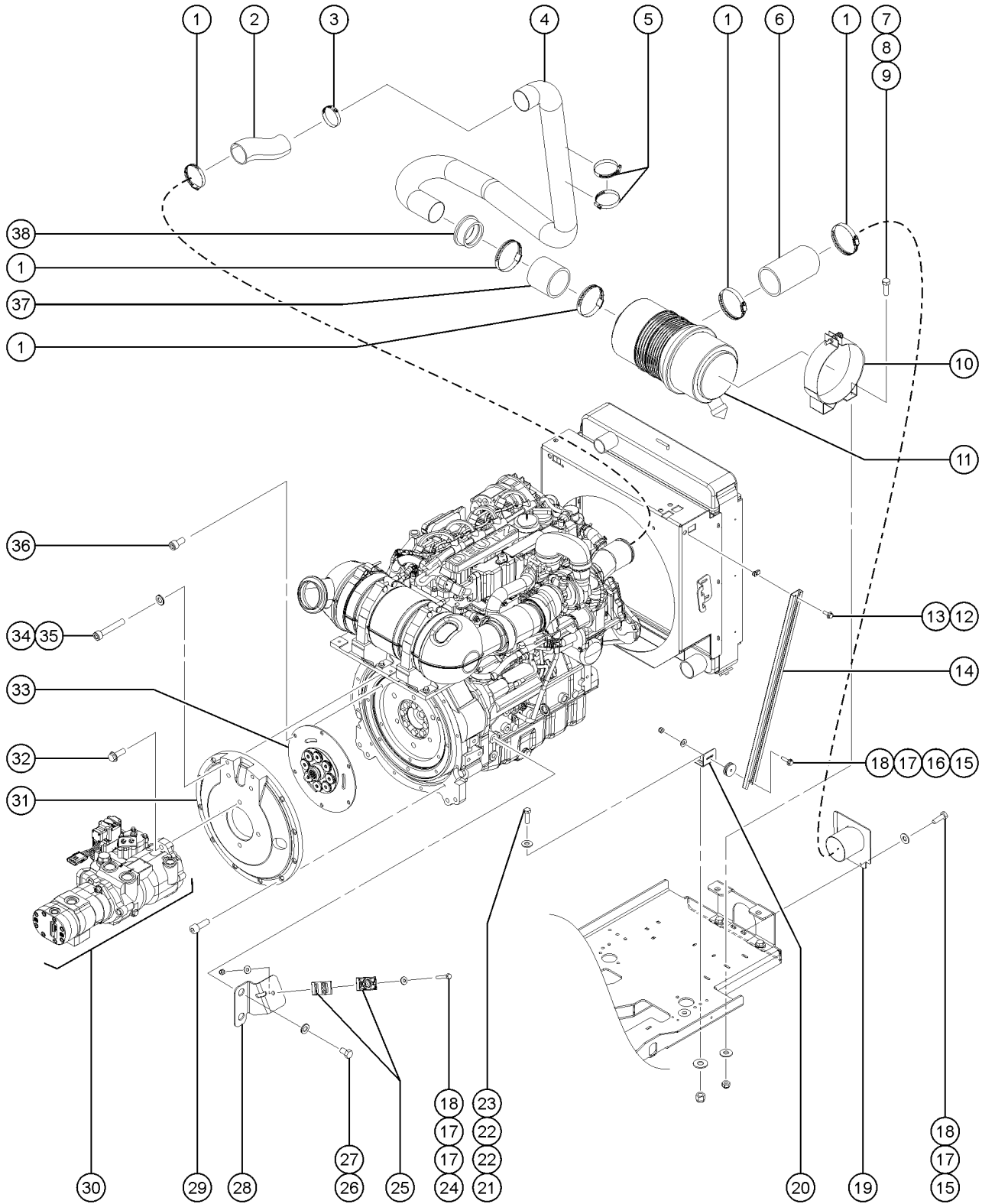
418.1 Deutz TD 2.9L4 Engine - View 1



418.1 Deutz TD 2.9L4 Engine - View 1

| Item | Part No. | Description | Qty. | Item | Part No. | Description | Qty. |
|------|-----------|--|------|------|----------|--------------------------------------|------|
| -- | | <i>Due to Tier 4 regulations, many engine replacement parts require the engine serial number at time of order placement. When ordering engine parts please have both machine and engine serial numbers available. For internal engine parts, contact engine dealer</i> | | 27 | 826822GT | EXHAUST PIPE, TIER IV DEUTZ, Z.....1 | |
| | | | | 28 | 237821GT | SCREW,HHF,M8X20,DIN6921,8.8,YZ.....2 | |
| | | | | 29 | 826874GT | FORMING, TAIL PIPE SUPPORT, Z8.....1 | |
| -- | 237730GT | ENGINE KIT, DEUTZ TD 2.9 | | | | | |
| -- | 826636GT | HARNES, DEUTZ 2.9, Z80 | | | | | |
| -- | 1272624GT | KIT,WATER PUMP 2.9 L4 | | | | | |
| -- | 1277974GT | PINS,CONNECTOR,INJ HARNES,D2.9 | | | | | |
| -- | 1254594GT | STARTER,3.2KW,DEUTZ D2.9 | | | | | |
| -- | 1262868GT | BOLT, DEUTZ STARTER <i>not included sold seperately</i> | | | | | |
| 1 | 162283GT | HOSE, UPPER RADIATOR, DEUTZ D....1 | | | | | |
| 2 | 22672GT | CLAMP,HOSE,1.75.....2 | | | | | |
| 3 | 826859GT | SHROUD,17" FAN,6-CORE RADIATOR.....1 | | | | | |
| 4 | 826795GT | RADIATOR,6-CORE,19.375W X 18.1.....1 | | | | | |
| 5 | 825239GT | FORMING, INTAKE BAFFLE, Z80 DE.....1 | | | | | |
| 6 | 119218GT | TRIM,EDGE,1/8X3/4 SIDE BULB.....81-inches | | | | | |
| 7 | 21019GT | SCREW,PHIL,PHM,10-24 X.5,SEMS.....6 | | | | | |
| 8 | 6146GT | WASHER,FLAT,MS,#10,Y.....6 | | | | | |
| 9 | 121419GT | SCREW,HHF,1/4-20 X .75.....2 | | | | | |
| 10 | 25969GT | CLIP,SPRING,1/4-20 BLACK.....2 | | | | | |
| 11 | 823751GT | BRACKET,INTAKE PIPE,MOUNT,DEUT.....1 | | | | | |
| 12 | 128912GT | BOLT,FLANGE,5/8-11X1.5"GR8 PLT.....2 | | | | | |
| 13 | 13064GT | WASHER,FLAT,.625 HARDENED.....2 | | | | | |
| 14 | 6024GT | NUT,NYLOCK,5/8-11.....2 | | | | | |
| 15 | 24038GT | SHOCK MOUNT,SMALL.....4 | | | | | |
| 16 | 826835GT | FORMING,6-CORE RADIATOR MOUNT,.....1 | | | | | |
| 17 | 35434GT | CLAMP,HOSE,2.00***.....2 | | | | | |
| 18 | 162284GT | HOSE,LOWER RADIATOR, 2.9L DEUT.....1 | | | | | |
| 19 | 15086GT | WASHER,FLAT,.375 X 1.5 X .125.....2 | | | | | |
| 20 | 48425GT | NUT,FLG-LRG,3/8-16,YZ.....2 | | | | | |
| 21 | | Ref. Engine Tray <i>(refer to 431.1)</i> | | | | | |
| 22 | 49924GT | FILTER,OIL,DEUTZ F4L1011F.....1 | | | | | |
| -- | 1255653GT | FILTER,OIL,DEUTZ,REPLACEMENT | | | | | |
| 23 | 1254949GT | HEAT SHIELD,DEUTZ TD2.9L.....1 | | | | | |
| 24 | 1251983GT | SCREW,HHF,M8-1.25X16,DIN6921,10.9,ZAB.4 | | | | | |
| 25 | 45435GT | CLAMP,HOSE,2.50"***.....2 | | | | | |
| 26 | 71911GT | CLAMP,MUFFLER, 2.50 INCH.....1 | | | | | |

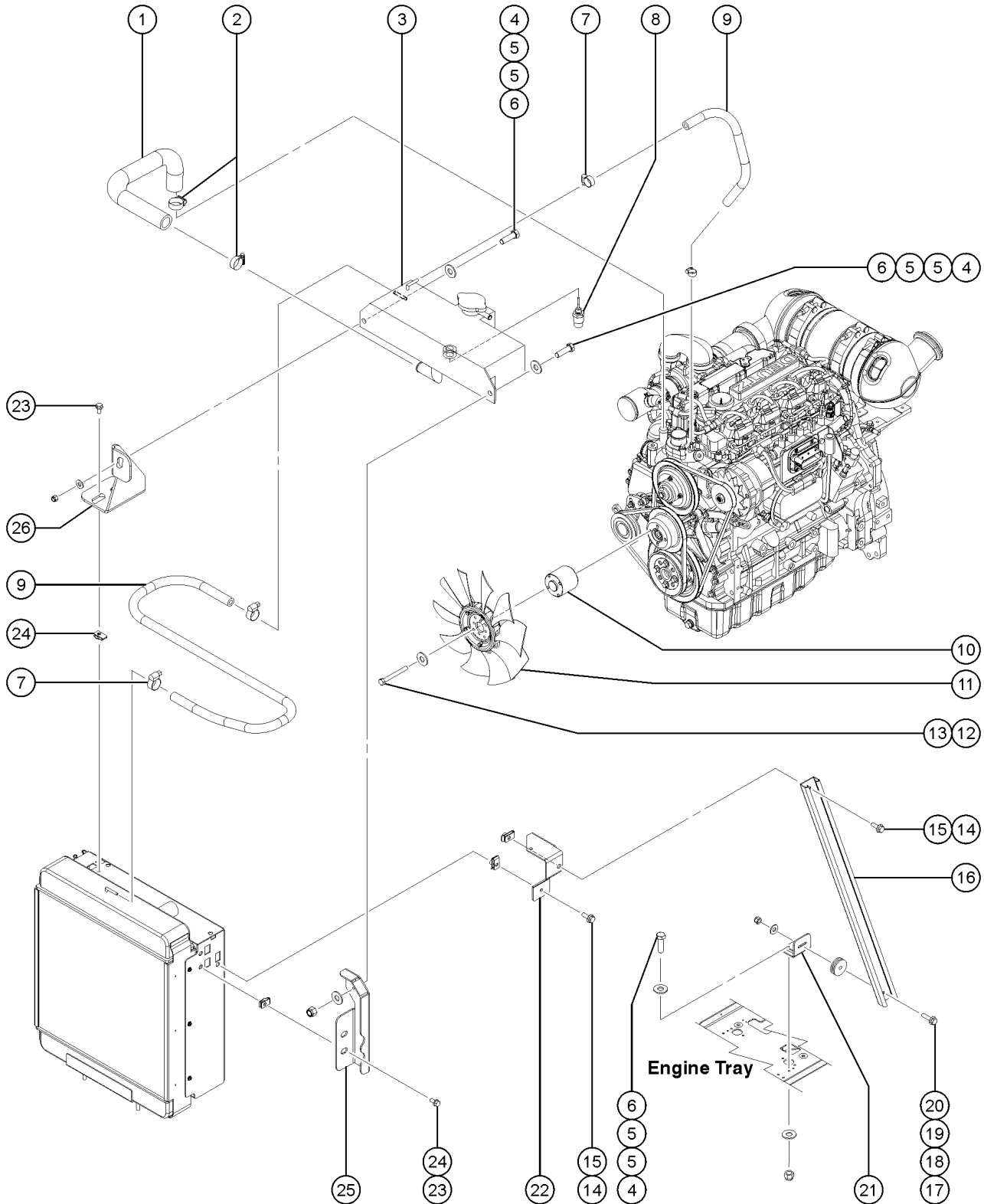
419.1 Deutz TD 2.9L4 Engine - View 2



419.1 Deutz TD 2.9L4 Engine - View 2

| Item | Part No. | Description | Qty. | Item | Part No. | Description | Qty. |
|------|--------------|--|------|------|--------------|--|------|
| -- | | <i>Due to Tier 4 regulations, many engine replacement parts require the engine serial number at time of order placement. When ordering engine parts please have both machine and engine serial numbers available. For internal engine parts, contact engine dealer</i> | | 34 | 111748GT | SCREW,SHC,M10X1.5 X 60 GR8.8..... | 2 |
| | | | | 35 | 22699GT | WASHER,FLAT,M10,ZINC PLTD..... | 2 |
| | | | | 36 | 62476GT | SCREW,SHC,M10X1.5X20MM (75090)..... | 6 |
| | | | | 37 | 106211-300GT | HOSE,RUBBER 3"ID X .25 BLACK..... | 1 |
| | | | | 38 | 101640GT | REDUCER,RUBBER 3.0 - 2.5..... | 1 |
| 1 | 30489GT | CLAMP,HOSE,3.50..... | 5 | | | | |
| 2 | 823703GT | HOSE,REDUCER,OFFSET,TURBO INLE..... | 1 | | | | |
| 3 | 30971GT | CLAMP,HOSE,3.00"..... | 1 | | | | |
| 4 | 823239GT | TUBE,INTAKE,DEUTZ 2.9L..... | 1 | | | | |
| 5 | 35434GT | CLAMP,HOSE,2.00***..... | 2 | | | | |
| 6 | 106211-600GT | HOSE,RUBBER 3"ID X .25 BLACK X 6.00 LG..... | 1 | | | | |
| 7 | 13002GT | SCREW,HHC,5/16-18 X 1 GR5..... | 2 | | | | |
| 8 | 5397GT | WASHER,FLAT,USS,5/16",Y..... | 2 | | | | |
| 9 | 6782GT | NUT,NYLOCK,5/16-18..... | 2 | | | | |
| 10 | 81468GT | MOUNTING BAND,AIR CLEANER..... | 1 | | | | |
| 11 | 81467GT | AIR CLEANER,NELSON..... | 1 | | | | |
| -- | 62425GT | FILTER,AIR CLEANER,SUPERBOOM | | | | | |
| 12 | 121419GT | SCREW,HHF,1/4-20 X .75..... | 1 | | | | |
| 13 | 25969GT | CLIP,SPRING,1/4-20 BLACK..... | 1 | | | | |
| 14 | 823144GT | UNISTRUT,FAN SHROUD BRACE,R,DE..... | 1 | | | | |
| 15 | 121420GT | SCREW,HHF,1/4-20 X 1.00..... | 1 | | | | |
| 16 | 229986GT | GROMMET RUBBER .375X1.00X.1875..... | 1 | | | | |
| 17 | 6638GT | WASHER,FLAT,USS,1/4"Y..... | 3 | | | | |
| 18 | 6091GT | NUT,NYLOCK,1/4-20..... | 2 | | | | |
| 19 | 1251928GT | WLDT, INTAKE, T4 DEUTZ, Z80/S80..... | 1 | | | | |
| 20 | 823147GT | FORMING,FAN SHROUD STRUT MOUNT..... | 1 | | | | |
| 21 | 6019GT | SCREW,HHC,3/8-16 X 1.25 GRD 5..... | 2 | | | | |
| 22 | 6097GT | WASHER,FLAT,USS,3/8",Y..... | 4 | | | | |
| 23 | 4828GT | NUT,NYLOCK,3/8-16..... | 2 | | | | |
| 24 | 6637GT | SCREW,HHC,1/4-20 X 1.75..... | 1 | | | | |
| 25 | 78736GT | CLAMP,2 HOSE,PLASTIC,5/8..... | 2 | | | | |
| 26 | 27585GT | SCREW,HHC,M12 X 20MM | | | | | |
| 27 | 49410GT | WASHER,FLAT,M12..... | 2 | | | | |
| 28 | 825939GT | FORMING, CLAMP, BATTERY CABLE... | 1 | | | | |
| 29 | 61110GT | SCREW,SHC,M10X1.5X30 GR 12.9..... | 10 | | | | |
| 30 | | Ref. DRIVE PUMP AND FUNCTION PUMP (refer to 710.1) | | | | | |
| 31 | 70381GT | COVER,FLYWHEEL CASTING..... | 1 | | | | |
| 32 | 123167GT | FLGHCS,1/2-13X1.50,GR8,BLK PH..... | 2 | | | | |
| 33 | 128004GT | COUPLER,15 TOOTH,FBA,SAE8***..... | 1 | | | | |

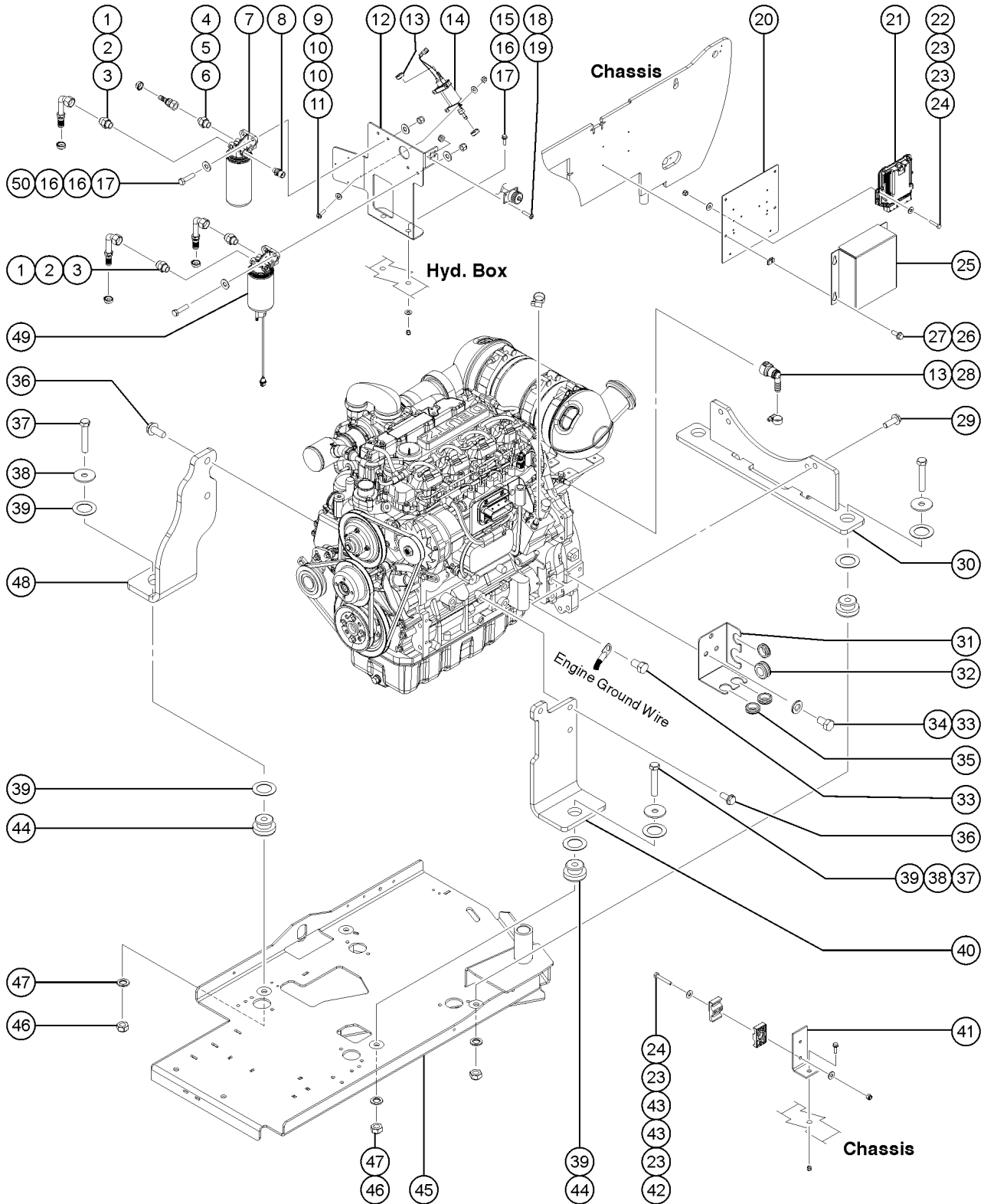
420.1 Deutz TD 2.9L4 Engine - View 3



420.1 Deutz TD 2.9L4 Engine - View 3

| Item | Part No. | Description | Qty. | Item | Part No. | Description | Qty. |
|------|-----------|--|------|------|----------|-------------------------------------|------|
| -- | | <i>Due to Tier 4 regulations, many engine replacement parts require the engine serial number at time of order placement. When ordering engine parts please have both machine and engine serial numbers available. For internal engine parts, contact engine dealer</i> | | 25 | 826825GT | BRACKET,EXPANSION TANK, LEFT M..... | 1 |
| | | | | 26 | 825218GT | BRACKET,EXPANSION TANK,DEUTZ 2..... | 1 |
| 1 | 823229GT | HOSE,EXPANSION TANK,COMPENSATION..... | 1 | | | | |
| 2 | 36208GT | CLAMP,HOSE,1.25*** | 2 | | | | |
| 3 | 161938GT | EXPANSION TANK,METAL,D2.9..... | 1 | | | | |
| 3B | 1274900GT | SIGHT GLASS <i>for 161938</i> | | | | | |
| 3C | 1254823GT | CAP,RADIATOR,PERKINS(94232) <i>for 161938</i> | | | | | |
| 4 | 6019GT | SCREW,HHC,3/8-16 X 1.25 GRD 5..... | 4 | | | | |
| 5 | 6097GT | WASHER,FLAT,USS,3/8",Y..... | 8 | | | | |
| 6 | 4828GT | NUT,NYLOCK,3/8-16..... | 4 | | | | |
| 7 | 21465GT | CLAMP,HOSE,.25" - .63" X .3125..... | 4 | | | | |
| 8 | 218715GT | SENSOR,COOLANT LEVEL, DEUTZ..... | 1 | | | | |
| -- | 826152GT | WASHER,CRUSH,COOLANT SENSOR | | | | | |
| 9 | 1283995GT | HEATER HOSE,1/4" | | | | | |
| 10 | 1251498GT | FAN SPACER,3",DEUTZ 2.9L..... <i>to SN 5440</i> | 1 | | | | |
| -- | 1258641GT | SPACER, FAN, DEUTZ, 38MM LNG <i>from SN 5441</i> | | | | | |
| 11 | 1251496GT | FAN,10 BLADE,17",DEUTZ 2.9L..... | 1 | | | | |
| 12 | 49401GT | SCREW,HHC,M8 X 100..... <i>for fan spacer part 1251498; to SN 5440</i> | 4 | | | | |
| -- | 1258771GT | SCREW,HHF,M8-1.25X60,DIN6921,10.9,ZAB <i>for fan part 1258641; from SN 5441</i> | | | | | |
| 13 | 33277GT | WASHER,FLAT,M8,YELLOW ZINC..... <i>No longer used if replacing fan spacer 1258461GT</i> | 4 | | | | |
| 14 | 121419GT | SCREW,HHF,1/4-20 X .75..... | 4 | | | | |
| 15 | 25969GT | CLIP,SPRING,1/4-20 BLACK..... | 4 | | | | |
| 16 | 823143GT | UNISTRUT,FAN SHROUD BRACE,L,DE..... | 1 | | | | |
| 17 | 121420GT | SCREW,HHF,1/4-20 X 1.00..... | 1 | | | | |
| 18 | 229986GT | GROMMET RUBBER .375X1.00X.1875..... | 1 | | | | |
| 19 | 6638GT | WASHER,FLAT,USS,1/4"Y..... | 1 | | | | |
| 20 | 6091GT | NUT,NYLOCK,1/4-20..... | 1 | | | | |
| 21 | 823147GT | FORMING,FAN SHROUD STRUT MOUNT..... | 1 | | | | |
| 22 | 1252687GT | BRACKET, STRUT BRACE..... | 1 | | | | |
| 23 | 75051GT | SCREW,SER FLNG3/8UNCX3/4ZNYEL..... | 4 | | | | |
| 24 | 29868GT | SPRING CLIP,3/8-16,.05-.20X.73,ZAG.... | 4 | | | | |

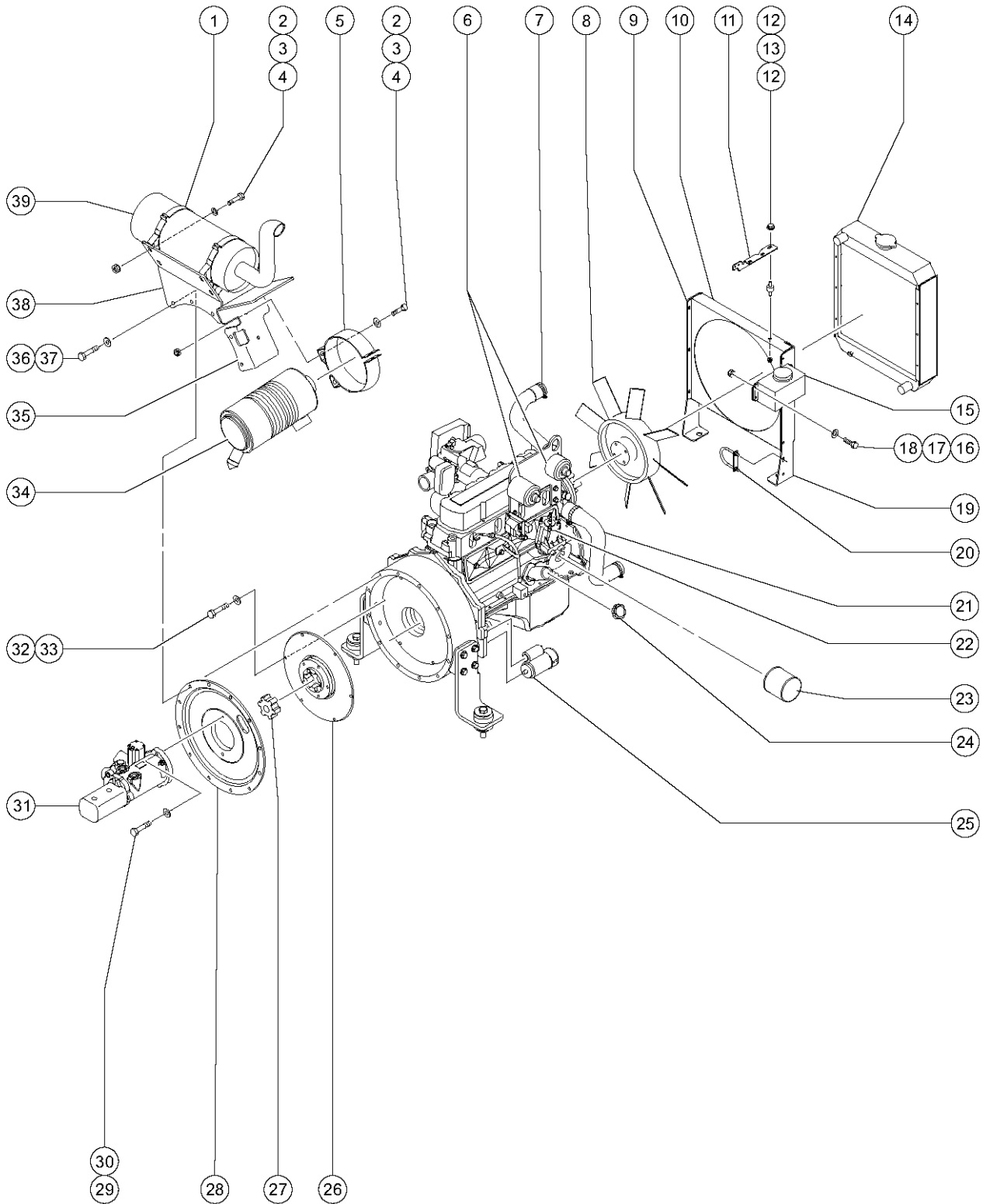
421.1 Deutz TD 2.9L4 Engine - View 4



421.1 Deutz TD 2.9L4 Engine - View 4

| Item | Part No. | Description | Qty. | Item | Part No. | Description | Qty. |
|------|----------|---|------|------|----------|--------------------------------------|------|
| -- | | Verify Engine Make and Model Before Ordering | | 37 | 13003GT | SCREW,HHC,5/8-11 X 3.5 GRD.8.....4 | 4 |
| -- | | For internal engine parts, contact engine dealer | | 38 | 33418GT | WASHER,FLAT,.625 X 2.25 X.15.....4 | 4 |
| 1 | 162209GT | FITTING,CONN,16MM-8MJ.....3 | 3 | 39 | 18596GT | WASHER,FLAT,1.56 X 2.5 X .061.....8 | 8 |
| 2 | 162207GT | FITTING,ELBOW,8GS-8FJX90S.....3 | 3 | 40 | 823012GT | MOUNT,ENGINE,LEFT SIDE.....1 | 1 |
| 3 | 822087GT | CLAMP,HOSE,1EAR,25/32.....3 | 3 | 41 | 70535GT | BRACKET,BATTERY CABLE.....1 | 1 |
| 4 | 162208GT | FITTING,CONN,16MM-6MJ.....1 | 1 | 42 | 6637GT | SCREW,HHC,1/4-20 X 1.75.....1 | 1 |
| 5 | 824351GT | FITTING,STR,3/8 HS X 9/16-18,J.....1 | 1 | 43 | 78736GT | CLAMP,2 HOSE,PLASTIC,5/8.....2 | 2 |
| 6 | 96770GT | CLAMP, HOSE, 1 EAR, 11/16.....1 | 1 | 44 | 102045GT | ISOLATOR,ENGINE VIBRATION.....4 | 4 |
| 7 | 214228GT | FILTER, DEUTZ 2.9, FUEL.....1 | 1 | 45 | | Ref. Engine Tray (refer to 431.1) | |
| 8 | 824673GT | SENSOR,LOW PRESSURE,DEUTZ 2.9L.....1 | 1 | 46 | 6024GT | NUT,NYLOCK,5/8-11.....4 | 4 |
| 9 | 49816GT | SCREW,PHILLIPS,PHM,10-32 X .75.....4 | 4 | 47 | 13064GT | WASHER,FLAT,.625 HARDENED.....4 | 4 |
| 10 | 6146GT | WASHER,FLAT,MS,#10,Y.....8 | 8 | 48 | 823013GT | MOUNT,ENGINE,RIGHT SIDE.....1 | 1 |
| 11 | 6178GT | NUT,NYLOCK,10-32.....4 | 4 | 49 | 236260GT | PRE-FILTER,FUEL,DEUTZ TCD3.6.....1 | 1 |
| 12 | 826871GT | WLDMT, FUEL CIRCUIT, Z80.....1 | 1 | 50 | 8516GT | SCREW, HCC, 3/8-16 X 1.50.....4 | 4 |
| 13 | 46131GT | CLAMP,HOSE,.63" - 1.0" X .5".....4 | 4 | | | | |
| 14 | 236259GT | LIFT PUMP,FUEL,DEUTZ.....1 | 1 | | | | |
| 15 | 122202GT | SCREW,FLANGE,HHC,3/8-16X1.25.....2 | 2 | | | | |
| 16 | 6097GT | WASHER,FLAT,USS,3/8",Y.....10 | 10 | | | | |
| 17 | 4828GT | NUT,NYLOCK,3/8-16.....6 | 6 | | | | |
| 18 | 55306GT | SCREW,PHILLIPS,PHM,4-40 X .50.....4 | 4 | | | | |
| 19 | 40766GT | NUT,NYLOCK,4-40.....4 | 4 | | | | |
| 20 | 826212GT | PLATE, ECM MOUNT, Z80.....1 | 1 | | | | |
| 21 | | Ref. ECU <i>Models with Deutz D2.9 engines (This part is serialized, contact Genie Parts Sales with full model and SN of both the unit and engine)</i> | | | | | |
| 22 | 8915GT | SCREW,HHC,1/4-20 X 1.25.....4 | 4 | | | | |
| 23 | 6638GT | WASHER,FLAT,USS,1/4"Y.....10 | 10 | | | | |
| 24 | 6091GT | NUT,NYLOCK,1/4-20.....5 | 5 | | | | |
| 25 | 826211GT | FORMING, ECM COVER, Z80.....1 | 1 | | | | |
| 26 | 121066GT | SCREW,HHC,FLG,3/8-16 X 1 GR8.....4 | 4 | | | | |
| 27 | 29868GT | SPRING CLIP,3/8-16,.05-.20X.73,ZAG...4 | 4 | | | | |
| 28 | 826000GT | CONNECTOR, SAE10, QUICK CONN....1 | 1 | | | | |
| 29 | 121433GT | SCREW,HHF, M14 X 40MM.....4 | 4 | | | | |
| 30 | 823135GT | WELDMENT, REAR MOUNT,ENGINE....1 | 1 | | | | |
| 31 | 826873GT | FORMING, ENGINE HARNESS SUPPOR.....1 | 1 | | | | |
| 32 | 106923GT | GROMMET,RUBBER .38X1.38X1.0.....1 | 1 | | | | |
| 33 | 27585GT | SCREW,HHC,M12 X 20MM | | | | | |
| 34 | 49410GT | WASHER,FLAT,M12.....3 | 3 | | | | |
| 35 | 124962GT | GROMMET,RUBBER,1.0 X 1.25X1.5.....3 | 3 | | | | |
| 36 | 121688GT | SCREW,HHC,FLG,M14 X 35.....5 | 5 | | | | |

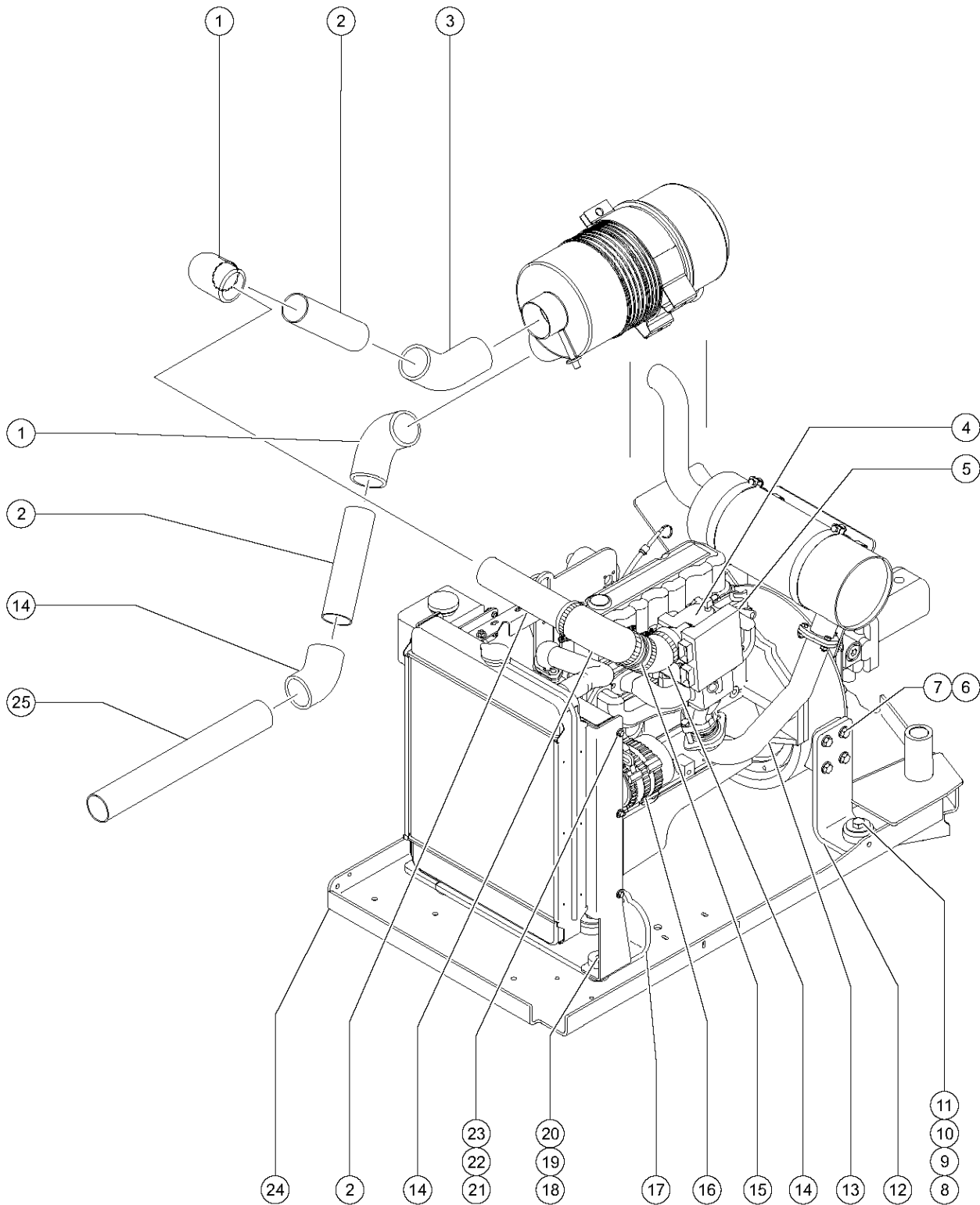
422.1 GM 3.0L EFI Engine - View 1 (to SN 995)



422.1 GM 3.0L EFI Engine - View 1 (to SN 995)

| Item | Part No. | Description | Qty. | Item | Part No. | Description | Qty. |
|------|-----------|--|------|------|----------|--|------|
| -- | | <i>Models from SN 6086 with GM 3.0L refer to 432.1 - 435.1</i> | | 16 | 6090GT | SCREW,HHC,1/4-20 X .75 | |
| -- | 88136GT | HARNESS,GM ENGINE Z-80 | | 17 | 6638GT | WASHER,FLAT,USS,1/4"Y | |
| -- | 65620GT | PCV VALVE-GM 3.0L ENGINE | | 18 | 6091GT | NUT,NYLOCK,1/4-20 | |
| -- | 65622GT | SPARK PLUG-GM 3.0L ENGINE | | 19 | 102975GT | ENGINE MOUNT W/DECAL GM ENG T1.....1 | |
| -- | 58412GT | SPARK PLUG WIRE SET,GM 3.0 | | -- | 88199PGT | RADIATOR MOUNT,OUTBOARD,PAINTE | |
| -- | 77551GT | COIL-IGNITION/GM 3.0L ENGINE | | 20 | 16584GT | U-BOLT, KIT 5/16-18 X 2.5 ***.....1 | |
| -- | 54813GT | PLATE,ENG. TRAY WEB, NON-PVT END | | 21 | 81425GT | RADIATOR HOSE, LOWER-GM.....1 | |
| -- | 65626GT | FILTER-FUEL, GM 3.0L ENGINE | | -- | 13014GT | CLAMP,HOSE,2.25" DIA. | |
| -- | 65627GT | FILTER-LPG, GM 3.0L ENGINE | | 22 | 77550GT | DISTRIBUTOR/GM 3.0L ENGINE.....1 | |
| -- | 77536GT | PUMP,FUEL GM 3.0 ENG. C282-238 | | -- | 65624GT | CAP-DISTRIBUTOR, GM 3.0L | |
| -- | 81837GT | FREEZE PLUG HEATER,GM 3.0L | | -- | 65625GT | ROTOR-DISTRIBUTOR, GM 3.0L | |
| -- | 30810GT | SENDING UNIT,OIL PRESSURE*** | | 23 | 65623GT | FILTER-OIL,GM 3.0L ENGINE.....1 | |
| -- | 58370GT | MAGNETIC SPEED SENSOR,GM 3.0 | | -- | 88100GT | ADAPTER,OIL DRAIN,GM 3.0L | |
| -- | 88175PGT | FORMING,GM INTAKE BAFFLE | | 24 | 77540GT | CAP,OIL FILLER.....1 | |
| 1 | 53952GT | BRKT,AIR CLEANER ORIENTATION**.....2 | | 25 | 83048GT | STARTER,GM 3.0L.....1 | |
| 2 | 13000GT | SCREW,HHC,5/16-18 X 1.25 | | 26 | 81426GT | FLYWHEEL FLANGE,AUTO STYLE GM.....1 | |
| 3 | 5397GT | WASHER,FLAT,USS,5/16",Y | | 27 | 81427GT | COUPLER,HUB,6 TOOTH GM 3.0L.....1 | |
| 4 | 6782GT | NUT,NYLOCK,5/16-18 | | 28 | 61781GT | CASTING,SAE 4 PUMP MOUNT,MACHI.....1 | |
| 5 | 53952GT | BRKT,AIR CLEANER ORIENTATION**.....1 | | 29 | 8177GT | SCREW,HHC,1/2-13 X 1.5 | |
| 6 | 77847GT | THROTTLE BODY.....1 | | 30 | 13066GT | WASHER,FLAT,5 HARDENED | |
| -- | 146057GT | LPG REGULATOR (GM 3.0L) | | 31 | | Ref. Drive Pump Assembly (refer to 710.1) | |
| -- | 83135GT | VAPORIZER REGULATOR PRIM 16.5 | | 32 | 6175GT | SCREW,HHC,3/8-16 X 1 | |
| 7 | 81424GT | RADIATOR HOSE,UPPER-GM.....1 | | 33 | 6021GT | WASHER,LOCK,.375 | |
| -- | 13014GT | CLAMP,HOSE,2.25" DIA. | | 34 | 63463GT | AIR CLEANER,NELSON***.....1 <i>plastic housing</i> | |
| 8 | 77821GT | FAN KIT ,GM 3.0 ENGINE.....1 | | -- | 52866GT | EVACUATOR VALVE-AIR CLEANER | |
| -- | 65621GT | BELT-FAN, GM 3.0L ENGINE | | -- | 58415GT | CLIP,AIR CLEANER END CAP*** <i>end cap not available separately</i> | |
| 9 | 81731PGT | RADIATOR MOUNT,INBOARD,PAINTED.....1 | | -- | 62420GT | FILTER,AIR*** | |
| 10 | 81877PGT | SHROUD,RADIATOR,GM,PAINTED.....1 | | -- | 65810GT | BAFFLE, AIR CLEANER (27915)** | |
| 11 | 81861PGT | BRACKET,RADIATOR SUPPORT PAINT.....1 | | 35 | 81703PGT | BRACKET,AIR CLEANER,PAINTED.....1 | |
| 12 | 18503GT | NUT,LOCKING-LG.FLANGE,5/16-18 | | 36 | 44064GT | SCREW,HHC,M10 X 30MM, | |
| 13 | 219437GT | ISOLATOR, VIBRATION.....1 | | 37 | 22700GT | WASHER,LOCK,M10 | |
| 14 | 63462GT | RADIATOR,PERKINS,GM.....1 | | 38 | 81421PGT | BRACKET,MUFFLER MOUNT,PAINTED.....1 | |
| -- | 65473GT | CAP,RADIATOR,PERKINS/FORD | | 39 | 81420GT | MUFFLER,SPARK ARRESTING,GM.....1 | |
| -- | 75154GT | SENSOR,COOLANT TEMP.VDO323-419 | | -- | 77543GT | GASKET, EXHAUST MANFLD/GM 3.0L | |
| -- | 77541GT | THERMOSTAT-ENG TEMP/GM3.0L | | -- | 77544GT | MANIFOLD-EXHAUST/GM 3.0L ENGIN | |
| -- | 77542GT | GASKET,WATER OUTLET/GM 3.0L | | | | | |
| -- | 77545GT | GASKET-THERMOSTAT/GM 3.0L ENGI | | | | | |
| 15 | 1279268GT | BOTTLE, COOLANT RECOVERY, 2QT.....1 | | | | | |
| -- | 72327GT | CAP, COOLANT RET SYS(54071) | | | | | |

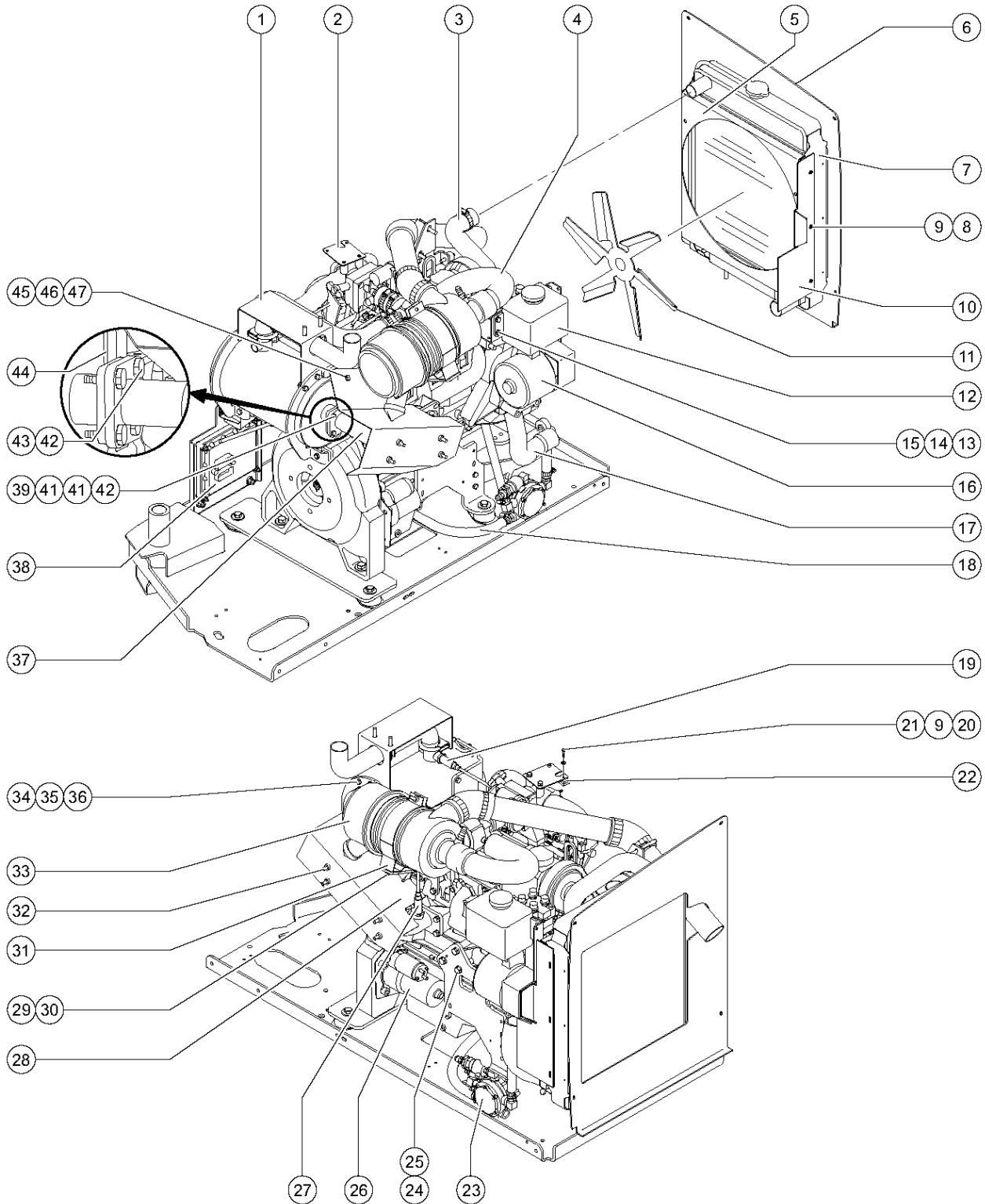
423.1 GM 3.0L EFI Engine - View 2 (to SN 995)



423.1 GM 3.0L EFI Engine - View 2 (to SN 995)

| Item | Part No. | Description | Qty. |
|------|--------------|--|------|
| -- | | <i>Models from SN 6086 with GM 3.0L refer to 432.1 - 435.1</i> | |
| 1 | 34164GT | ELBOW,90 DEGR,RUBBER,2.5" I.D.*..... | 2 |
| -- | 30971GT | CLAMP,HOSE,3.00" | |
| 2 | 35067-950GT | TUBE,RD,ALUM 2.5 X .083..... | 3 |
| 3 | 60036GT | HOSE,AIR INTAKE,FORD EFI***..... | 1 |
| -- | 30971GT | CLAMP,HOSE,3.00" | |
| 4 | 77847GT | THROTTLE BODY..... | 1 |
| -- | 77848GT | INJECTOR,FUEL W/ORINGS GM3.0L | |
| -- | 77849GT | INJECTOR,LPG W/ORINGS GM3.0L | |
| 5 | 62278GT | ELEC. CONTROL MODULE, GM BB..... | 1 |
| 6 | 49381GT | SCREW,HHC,M12 X 30 | |
| 7 | 49410GT | WASHER,FLAT,M12 | |
| 8 | 53909GT | SCREW,HHC,5/8-11 X 4.0 GR8..... | 4 |
| 9 | 33418GT | WASHER,FLAT,.625 X 2.25 X.15 | |
| 10 | 102045GT | ISOLATOR,ENGINE VIBRATION..... | 4 |
| 11 | 6024GT | NUT,NYLOCK,5/8-11 | |
| 12 | 81417PGT | ENGINE MOUNT,LR,GM 3.0 PAINTED..... | 1 |
| -- | 81418PGT | ENGINE MOUNT,RR,GM 3.0 PAINTED | |
| 13 | 81481GT | WELDMENT,HEAD PIPE,GM..... | 1 |
| -- | 65503GT | GASKET,MUFFLER PERKINS(53883) | |
| 14 | 33361GT | ELBOW,45 DEGR,RUBBER,2.5" I.D..... | 3 |
| -- | 30971GT | CLAMP,HOSE,3.00" | |
| 15 | 35067-200GT | TUBE, RD, ALUM, 2.5 X .083 X 2.00..... | 1 |
| 16 | 77822GT | ALTERNATOR, GM3.0L ENGINE..... | 1 |
| -- | 65621GT | BELT-FAN, GM 3.0L ENGINE | |
| 17 | 88190PGT | FORMING,FRONT ENGINE MOUNT | |
| 18 | 8516GT | SCREW, HCC, 3/8-16 X 1.50 | |
| 19 | 6097GT | WASHER,FLAT,USS,3/8",Y | |
| 20 | 4828GT | NUT,NYLOCK,3/8-16 | |
| 21 | 6888GT | SCREW,HHC,1/4-20 X 1 | |
| 22 | 6638GT | WASHER,FLAT,USS,1/4"Y | |
| 23 | 6091GT | NUT,NYLOCK,1/4-20 | |
| 24 | | Ref. Engine Tray (refer to 420.1) | |
| 25 | 35067-1900GT | TUBE,RD,ALUM 2.5 X .083..... | 1 |

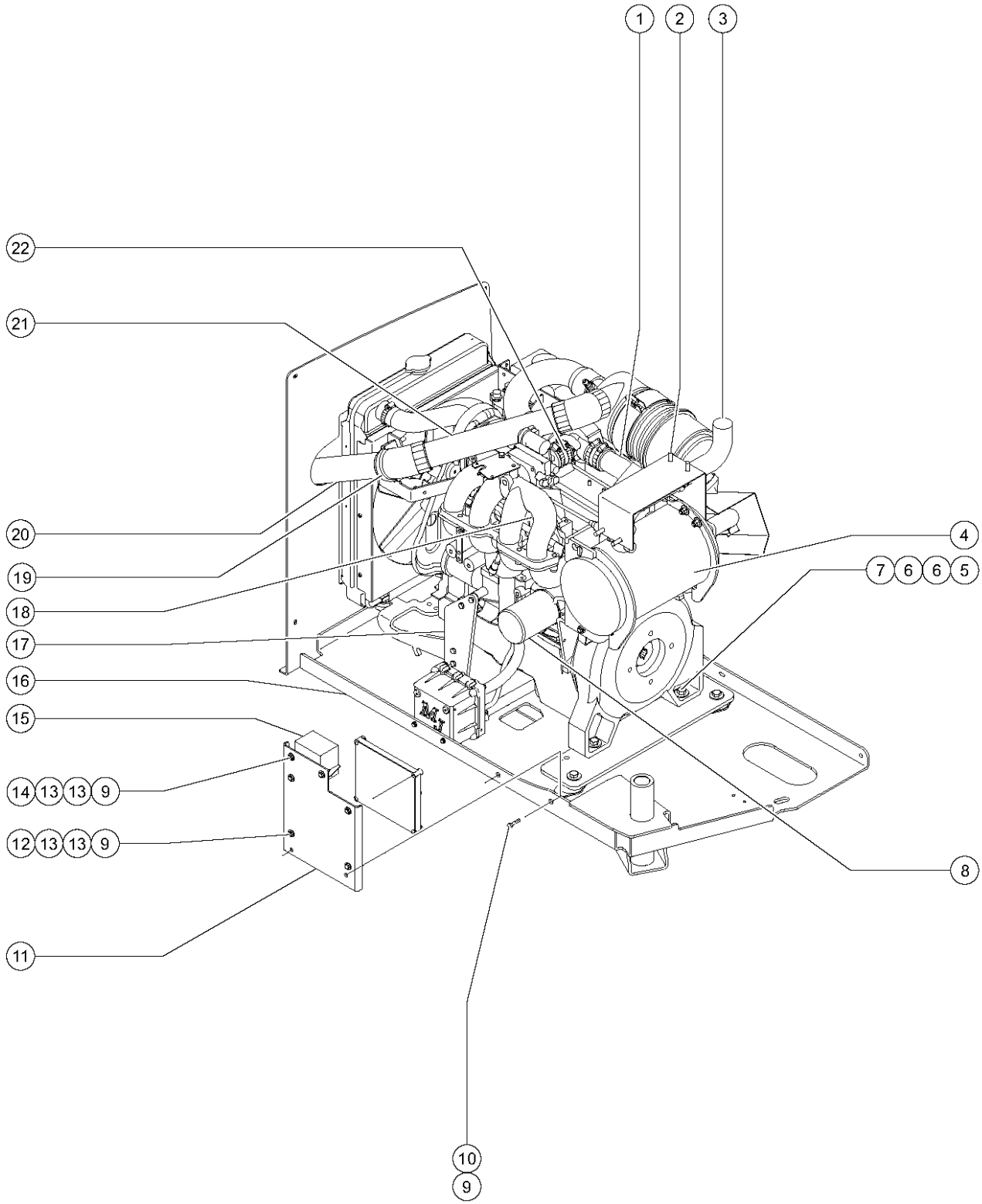
424.1 Ford LRG-425 EFI Engine - View 1



424.1 Ford LRG-425 EFI Engine - View 1

| Item | Part No. | Description | Qty. | Item | Part No. | Description | Qty. |
|------|-----------|--|------|------|-----------|---|------|
| -- | 102339GT | HARNES,FORD ENGINE,EFI,2004 | | -- | 65627GT | FILTER-LPG, GM 3.0L ENGINE | |
| -- | 106605GT | HARNES,ENGINE W/RELAY BOX T2 | | -- | 88757GT | VALVE,LP LOCKOUT W/CONN*** | |
| -- | 77219GT | PUMP, FUEL, LRG425, WALBRO | | 24 | 44064GT | SCREW,HHC,M10 X 30MM, | |
| -- | 65770GT | BELT,TIMING,FORD LRG423/425EFI | | 25 | 22700GT | WASHER,LOCK,M10 | |
| 1 | 102307GT | FORMING,HEAT SHIELD.....1 | 1 | 26 | 29606GT | RING GEAR,FORD***1 | 1 |
| 2 | 53821PGT | BRACKET,MAP SENSOR,PAINTED.....1 | 1 | 26 | 29616GT | STARTER,ENGINE,FORD LSG/LRG***1 | 1 |
| 3 | 22672GT | CLAMP,HOSE,1.75 | | 27 | 88450GT | SENSOR,OXYGEN LRG425EFI.....1 | 1 |
| 3 | 54862GT | HOSE,UPPER RADIATOR,Z45.....1 | 1 | 28 | 102118GT | FORMING,HEAT SHIELD,FORD.....1 | 1 |
| 4 | 88847GT | HOSE,AIR CLEANER TO INTAKE.....1 | 1 | 29 | 10107GT | SCREW,HHC,5/16-18 X .75 | |
| -- | 35434GT | CLAMP,HOSE,2.00*** | | 30 | 6782GT | NUT,NYLOCK,5/16-18 | |
| -- | 45435GT | CLAMP,HOSE,2.50**** | | 31 | 53952GT | BRKT,AIR CLEANER ORIENTATION**1 | 1 |
| 5 | 54598PGT | SHROUD,RADIATOR,FORD LGR425,PA.....1 | 1 | 32 | 32064GT | CLAMP,MUFFLER,1.75 INCH.....2 | 2 |
| 6 | 70492PGT | PLATE,INTAKE BAFFLE Z80 FORD P....1 | 1 | 33 | 111634GT | AIR CLEANER,FORD,T3.....1 | 1 |
| 7 | 110304GT | RADIATOR,FORD/PERKINS***1 | 1 | 33 | 38922GT | ELBOW,90DEG.1/8MPT-5/16 BARB | |
| -- | 15086GT | WASHER,FLAT,.375 X 1.5 X .125 | | -- | 102977GT | HOSE FITITNG,BRASS,AIR CLEANER | |
| -- | 24038GT | SHOCK MOUNT,SMALL | | -- | 1277991GT | CLIP,AIR CLEANER COVER (58247) for 58247 | |
| -- | 4828GT | NUT,NYLOCK,3/8-16 | | -- | 227988GT | VACUATOR VALVE | |
| 8 | 21019GT | SCREW,PHIL,PHM,10-24 X.5,SEMS | | -- | 58247GT | AIR CLEANER CAP/ FORD/NOLFF*** | |
| 9 | 6146GT | WASHER,FLAT,MS,#10,Y | | -- | 77295GT | FILTER ELEMENT,AIR,NOLFF LPG | |
| 10 | 102010PGT | FORMING,FAN GUARD,FORD,PAINTED.....1 | 1 | 34 | 6175GT | SCREW,HHC,3/8-16 X 1 | |
| 11 | 52076GT | FAN, LSG423/LRG425.....1 | 1 | 35 | 6097GT | WASHER,FLAT,USS,3/8",Y | |
| -- | 49408GT | WASHER,LOCK,M8 | | 36 | 4828GT | NUT,NYLOCK,3/8-16 | |
| -- | 70489GT | SPACER,FAN TO WATERPUMP LRG425 | | 37 | 89973GT | EXHAUST PIPE ASSEMBLY, FORD.....1 | 1 |
| -- | 75185GT | SCREW,HHC,M8X1.25X 70MM,GR8.8 | | -- | 102134GT | GASKET,EXHAUST FORD TIER II | |
| 12 | 70367GT | BOTTLE,COOLANT RECOVERY,3.7***1 | 1 | 38 | 106487GT | ENGINE PERFORMANCE MODULE T2**1 | 1 |
| -- | 115431GT | CAP ASSY, COOLANT BOTTLE | | 39 | 13002GT | SCREW,HHC,5/16-18 X 1 GR5 | |
| 13 | 6090GT | SCREW,HHC,1/4-20 X .75 | | 40 | 5397GT | WASHER,FLAT,USS,5/16",Y | |
| 14 | 6638GT | WASHER,FLAT,USS,1/4"Y | | 41 | 72343GT | GASKET,EXH FLANGE-FORD/PERKINS.....1 | 1 |
| 15 | 6091GT | NUT,NYLOCK,1/4-20 | | 42 | 18503GT | NUT,LOCKING-LG.FLANGE,5/16-18 | |
| 16 | 33960GT | ALTERNATOR,LRG-423 RE-BUILT*.....1 | 1 | 43 | 61741GT | SCREW,HHC,5/16-18 X 1.50 | |
| 17 | 77170GT | HOSE,LOWER RADIATOR,Z45.....1 | 1 | 44 | 102779PGT | FORMING,HEAT SHLD SUPPORT,PTD.....1 | 1 |
| -- | 22672GT | CLAMP,HOSE,1.75 | | 45 | 8255GT | SCREW,HHC,3/8-16 X .75 | |
| 18 | 50948GT | HOSE ASSEMBLY,LP GAS,106"LG.....1 | 1 | 46 | 6021GT | WASHER,LOCK,.375 | |
| 19 | 106486GT | SENSOR,AIR,CAT MONITOR***1 | 1 | 47 | 4828GT | NUT,NYLOCK,3/8-16 | |
| 20 | 49817GT | SCREW,PHILLIPS,PHM,10-32 X1.25 | | | | | |
| 21 | 6178GT | NUT,NYLOCK,10-32 | | | | | |
| 22 | 49898GT | MAP SENSOR, EFI.....1 | 1 | | | | |
| 23 | 70525GT | REGULATOR,LPG.....1 | 1 | | | | |
| -- | 102073GT | ELBOW,90 DEG,3/8NPT X 1/2 FNPT | | | | | |
| -- | 102074GT | ELBOW,90DEG, .63 HS X.375 MPT | | | | | |
| -- | 19363GT | ELBOW,130239-4-4 | | | | | |

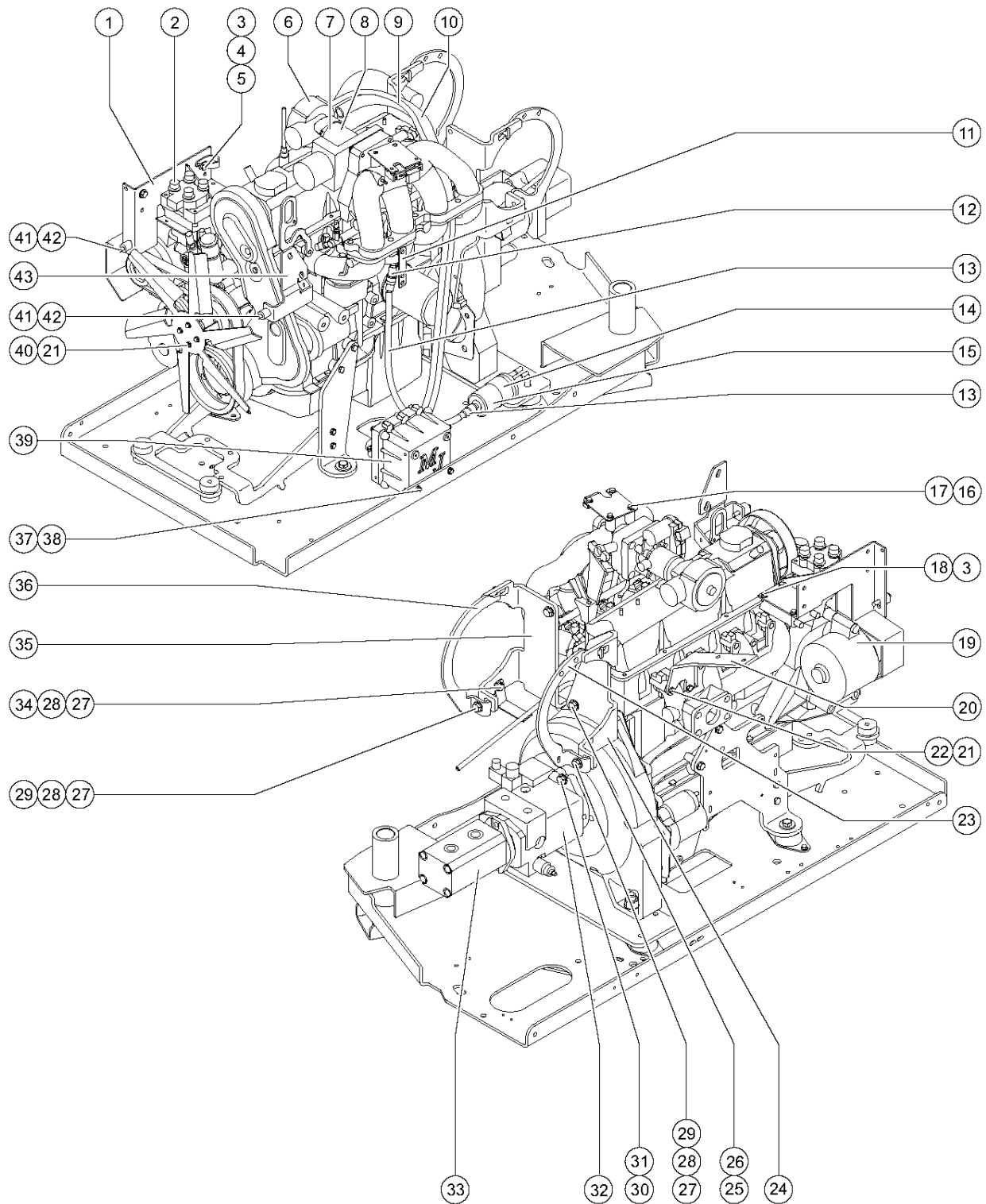
425.1 Ford LRG-425 EFI Engine - View 2



425.1 Ford LRG-425 EFI Engine - View 2

| Item | Part No. | Description | Qty. |
|------|-------------|--|------|
| 1 | 34162-400GT | Air Intake Hose..... | 1 |
| 2 | 102121GT | CLAMP,MUFFLER,1-7/8 IN..... | 2 |
| 3 | 70420GT | TAILPIPE,FORD LRG 425..... | 1 |
| 4 | 106178GT | WELDMENT,MUFFLER,FORD TIER2..... | 1 |
| 5 | 22788GT | SCREW,HHC,1/2-13 X 1.75 | |
| 6 | 6095GT | WASHER,FLAT,USS,1/2",Y | |
| 7 | 6198GT | NUT,NYLOCK,1/2-13 | |
| 8 | 28656GT | FILTER,OIL,FORD..... <i>Genie genuine part</i> | 1 |
| -- | 1259054GT | FILTER, OIL, FORD <i>Genie aftermarket part</i> | |
| 9 | 6175GT | SCREW,HHC,3/8-16 X 1 | |
| 10 | 6097GT | WASHER,FLAT,USS,3/8",Y | |
| 11 | 70425PGT | FORMING,ECM MOUNT PAINTED..... | 1 |
| 12 | 6637GT | SCREW,HHC,1/4-20 X 1.75 | |
| 13 | 6638GT | WASHER,FLAT,USS,1/4"Y | |
| 14 | 6090GT | SCREW,HHC,1/4-20 X .75 | |
| 15 | 106605GT | HARNES,ENGINE W/RELAY BOX T2..... | 1 |
| 16 | | Ref. Engine Tray <i>(refer to 420.1)</i> | |
| 17 | 101118PGT | ENGINE MOUNT FOOT,LH PNTD..... | 1 |
| 18 | 30810GT | SENDING UNIT,OIL PRESSURE***..... <i>dual-terminal sender</i> | 1 |
| 19 | 71911GT | CLAMP,MUFFLER, 2.50 INCH..... | 1 |
| 20 | 102103GT | TUBE,INTAKE,2.50 OD X 13"..... | 1 |
| -- | 33361GT | ELBOW,45 DEGR,RUBBER,2.5"I.D. | |
| -- | 45435GT | CLAMP,HOSE,2.50"*** | |
| 21 | 102104GT | TUBE,INTAKE,2.50 OD X 15.63"..... | 1 |
| -- | 33361GT | ELBOW,45 DEGR,RUBBER,2.5"I.D. | |
| -- | 45435GT | CLAMP,HOSE,2.50"*** | |
| 22 | 102117GT | HOSE,2.0 ID X 2.0" LG..... | 1 |

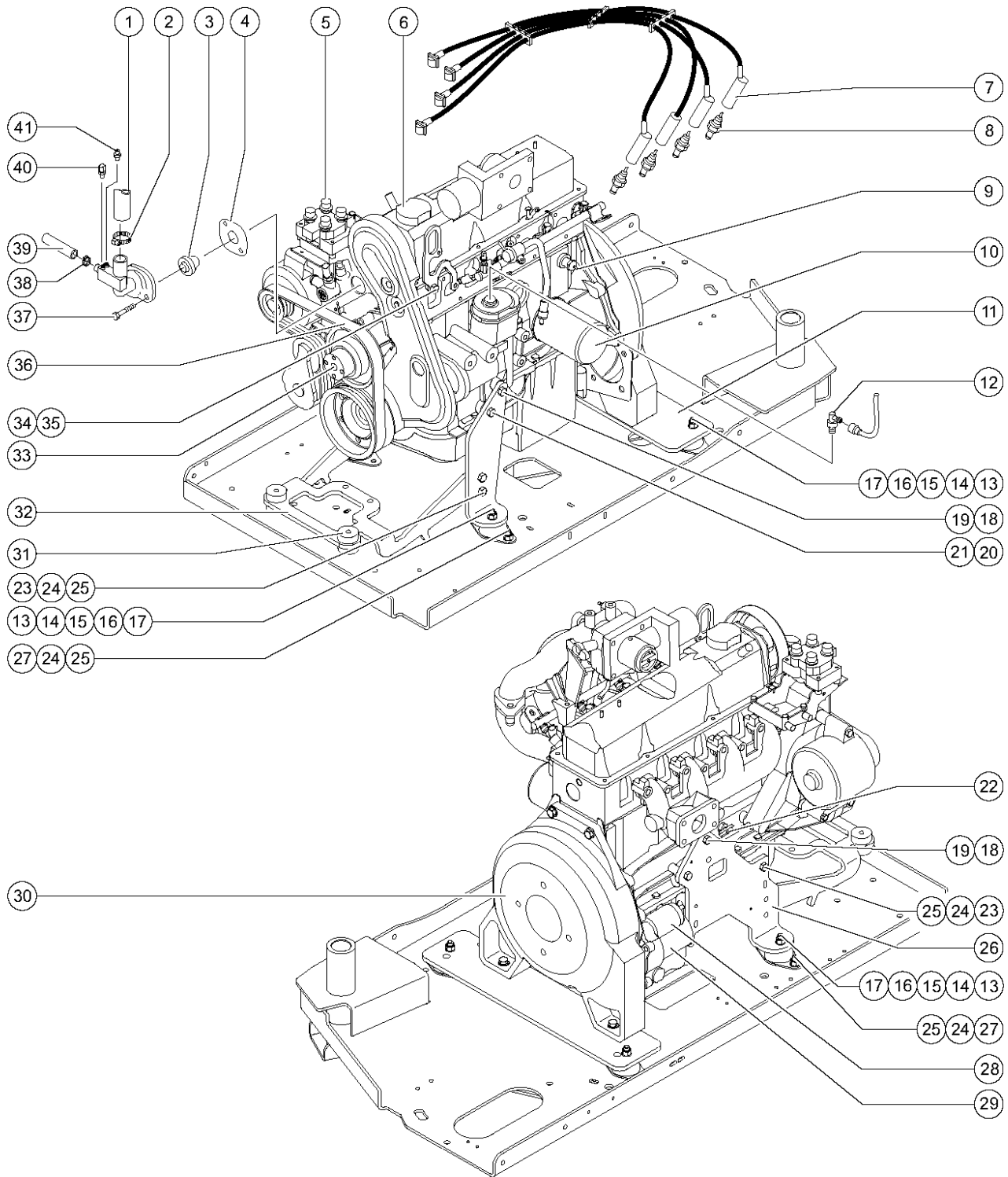
426.1 Ford LRG-425 EFI Engine - View 3



426.1 Ford LRG-425 EFI Engine - View 3

| Item | Part No. | Description | Qty. | Item | Part No. | Description | Qty. |
|------|-----------|--|------|------|-----------|-------------------------------------|------|
| 1 | 102976GT | COOLANT MOUNT W/DECAL FORD.....1 | | 37 | 22578GT | SCREW,HHC,M6 X 20MM,GR8.8 | |
| 2 | 33970GT | COIL, ELECTRONIC IGN., FORD.....1 | | 38 | 25926GT | WASHER,FLAT,M6 PLTD. | |
| 3 | 67537GT | SCREW,HHC,M5 X 12MM | | 39 | 70527GT | MEGAJECTOR,FUEL KIT.....1 | |
| 4 | 6091GT | NUT,NYLOCK,1/4-20 | | -- | 106491GT | HARNES, JUMPER,MEGAJECTOR | |
| 5 | 6833GT | CLAMP,0.50,#8 X 1/4,RUB CUSH.....1 | | 40 | 75185GT | SCREW,HHC,M8X1.25X 70MM,GR8.8 | |
| 6 | 106485GT | MIXER,AIR VALVE,TIER II FORD**1 | | 41 | 219437GT | ISOLATOR, VIBRATION.....2 | |
| 7 | 35434GT | CLAMP,HOSE,2.00***2 | | 42 | 18503GT | NUT,LOCKING-LG.FLANGE,5/16-18.....9 | |
| 8 | 102117GT | HOSE,2.0 ID X 2.0" LG.....1 | | 43 | 102013PGT | FORMING,RADIATOR SUPPORT,LH.....1 | |
| 9 | 102120GT | HOSE,1/4 VACUUM.....1 | | -- | 102794GT | SCREW,HHC,M8 X1.25X40,GRD10.9 | |
| 10 | 102119GT | HOSE,3/4,LP8-inches from regulator to mixer | | -- | 33277GT | WASHER,FLAT,M8,YELLOW ZINC | |
| 11 | 102065PGT | BAR,HARNES CONNECTOR MOUNT.....1 | | | | | |
| 12 | 65892GT | CONN. ASSY,7.9 TUBE X6.35 HOSE.....1 | | | | | |
| 13 | 71909GT | HOSE,FUEL,5/16 HIGH PRESSURE** | | | | | |
| 14 | 65453GT | BRACKET-FUEL FILTER (52567).....1 | | | | | |
| -- | 6091GT | NUT,NYLOCK,1/4-20 | | | | | |
| -- | 6638GT | WASHER,FLAT,USS,1/4"Y | | | | | |
| -- | 6888GT | SCREW,HHC,1/4-20 X 1 | | | | | |
| 15 | 58967GT | FUEL PRESSURE REG,425EFI***1 | | | | | |
| 16 | 23057GT | SCREW,HHC,M8 X 20MM | | | | | |
| -- | 32339GT | CLAMP,1.75,#28 X 3/8,RUB CUSH* | | | | | |
| 17 | 49408GT | WASHER,LOCK,M8 | | | | | |
| 18 | 49407GT | WASHER,LOCK,M6 | | | | | |
| 19 | 33960GT | ALTERNATOR,LRG-423 RE-BUILT*.....1 | | | | | |
| 20 | 89917PGT | PLATE,AIR FILTER MOUNT,FORD.....1 | | | | | |
| 21 | 10107GT | SCREW,HHC,5/16-18 X .75 | | | | | |
| 22 | 6782GT | NUT,NYLOCK,5/16-18 | | | | | |
| 23 | 106271PGT | CLAMP,FORD MUFFLER,PAINTED.....1 | | | | | |
| 24 | 101126PGT | FORMING,RH MUFFLER SUP PAINTED.....1 | | | | | |
| 25 | 25548GT | SCREW,HHC,M10 X 40MM,GRD8 | | | | | |
| 26 | 22700GT | WASHER,LOCK,M10 | | | | | |
| 27 | 14033GT | SCREW,HHC,3/8-16 X 2.75 | | | | | |
| 28 | 6097GT | WASHER,FLAT,USS,3/8",Y | | | | | |
| 29 | 4828GT | NUT,NYLOCK,3/8-16 | | | | | |
| 30 | 8177GT | SCREW,HHC,1/2-13 X 1.5 | | | | | |
| 31 | 13066GT | WASHER,FLAT,.5 HARDENED.....2 | | | | | |
| 32 | | Ref. Drive Pump (refer to 710.1) | | | | | |
| 33 | | Ref. Function Pump (refer to 710.1) | | | | | |
| 34 | 6019GT | SCREW,HHC,3/8-16 X 1.25 GRD 5 | | | | | |
| 35 | 101127PGT | FORMING,LH MUFFLER SUPPORT PNT.....1 | | | | | |
| 36 | 101128PGT | FORMING,MUFFLER CLAMP, PAINTED.....1 | | | | | |

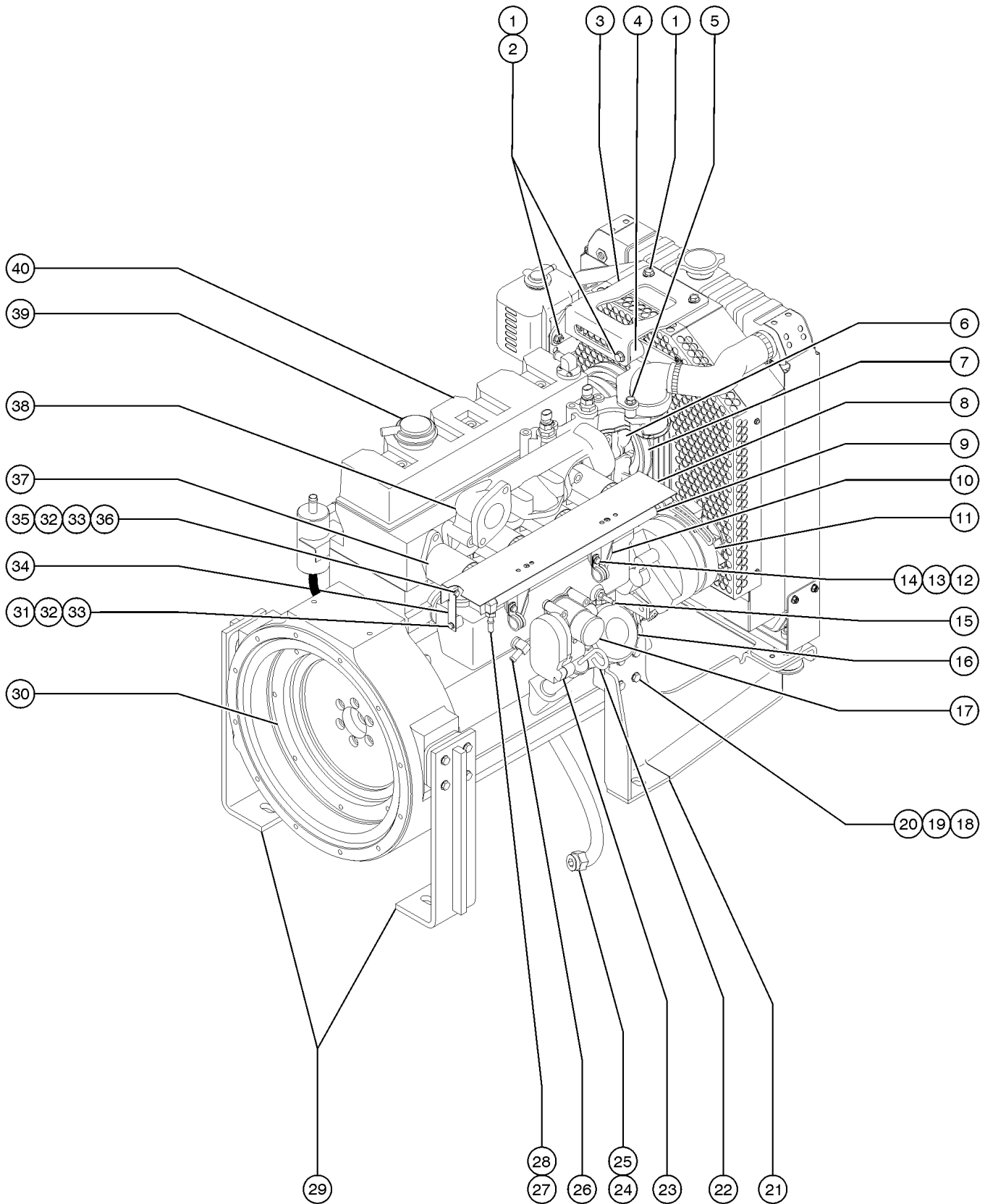
427.1 Ford LRG-425 EFI Engine - View 4



427.1 Ford LRG-425 EFI Engine - View 4

| Item | Part No. | Description | Qty. | Item | Part No. | Description | Qty. |
|------|-----------|--|------|------|-----------|-------------------------------------|------|
| 1 | | Ref. HOSE,UPPER RADIATOR,Z45.....1 <i>refer to 416.1</i> | 1 | -- | 4828GT | NUT,NYLOCK,3/8-16 | |
| 2 | 22672GT | CLAMP,HOSE,1.75.....1 | 1 | 32 | 101121PGT | FORMING,RADIATOR SUP PNTD.....1 | 1 |
| 3 | 33966GT | THERMOSTAT, FORD LRG.....1 | 1 | 33 | 33963GT | PUMP, WATER, WITH GASKET.....1 | 1 |
| 4 | 52575GT | GASKET,THERM.HSNG O-RING.....1 | 1 | -- | 33964GT | GASKET, WATER PUMP | |
| 5 | 33970GT | COIL, ELECTRONIC IGN., FORD.....1 | 1 | -- | 52078GT | PULLEY,FORD ENGINE,LRG-423*** | |
| 6 | 49881GT | OIL FILLER CAP FOR LRG ENGINE.....1 | 1 | 34 | 102794GT | SCREW,HHC,M8 X1.25X40,GRD10.9 | |
| 7 | 52570GT | SPARK PLUG WIRE SET, LRG425EFI....1 | 1 | 35 | 33277GT | WASHER,FLAT,M8,YELLOW ZINC | |
| 8 | 106490GT | SPARK PLUG, FORD LRG425.....4 | 4 | 36 | 52580GT | BELT,SERPENTINE,LRG425 EFI***.....1 | 1 |
| 9 | 89812GT | SWITCH,OIL PRESSURE ASSY.....1 | 1 | -- | 65770GT | BELT,TIMING,FORD LRG423/425EFI | |
| 10 | 28656GT | FILTER,OIL,FORD.....1 <i>Genie genuine part</i> | 1 | 37 | 65454GT | BOLT-FLANGE,M6 X 22MM(52573) | |
| -- | 1259054GT | FILTER, OIL, FORD <i>Genie aftermarket</i> | | 38 | 13014GT | CLAMP,HOSE,2.25" DIA.....1 | 1 |
| 11 | 70423PGT | REAR ENGINE MOUNT,PAINTED.....1 | 1 | 39 | 72358GT | WATER INLET TUBE, FORD.....1 | 1 |
| 12 | 33957GT | VALVE,PCV-FORD LRG***.....1 | 1 | 40 | 33972GT | SENSOR,COOLANT TEMP*.....1 | 1 |
| 13 | 6198GT | NUT,NYLOCK,1/2-13 | | 41 | 65456GT | SENDING UNIT-H20TMP LRG425EFI*...1 | 1 |
| 14 | 39479GT | SCREW,HHC,1/2-13 X 2.75 | | | | | |
| 15 | 70452GT | ISOLATOR,ENGINE VIBRATION***.....4 | 4 | | | | |
| 16 | 6095GT | WASHER,FLAT,USS,1/2",Y | | | | | |
| 17 | 102066PGT | CASTING,WASHER,REBOUND,PAINTED.4 | 4 | | | | |
| 18 | 44064GT | SCREW,HHC,M10 X 30MM, | | | | | |
| 19 | 22700GT | WASHER,LOCK,M10 | | | | | |
| 20 | 25929GT | SCREW,HHC,M8 X 30MM,GRD 8.8 | | | | | |
| 21 | 49408GT | WASHER,LOCK,M8 | | | | | |
| 22 | 28717GT | VALVE,DRAIN,FORD,BLOCK,RAD.....1 | 1 | | | | |
| 23 | 8516GT | SCREW, HCC, 3/8-16 X 1.50 | | | | | |
| 24 | 6097GT | WASHER,FLAT,USS,3/8",Y | | | | | |
| 25 | 4828GT | NUT,NYLOCK,3/8-16 | | | | | |
| 26 | 101119PGT | ENGINE MOUNT FOOT,RH PNTD.....1 | 1 | | | | |
| 27 | 6175GT | SCREW,HHC,3/8-16 X 1 | | | | | |
| 28 | 27920GT | RELAY, STARTER, Z45GP91.....1 | 1 | | | | |
| 29 | 29606GT | RING GEAR,FORD***.....1 | 1 | | | | |
| 29 | 29616GT | STARTER,ENGINE,FORD LSG/LRG***.....1 | 1 | | | | |
| 30 | 64079GT | BELL HOUSING KIT, FORD 425EFI.....1 <i>kit includes: 89811 Pump Mount Housing, 89813 Flex Plate, 37003 15 tooth Hub Coupler, and 102136 Screws 7/16-14 X 1.25</i> | 1 | | | | |
| -- | 102136GT | SCREW,SHC,7/16-14 X 1.25 | | | | | |
| -- | 37003GT | COUPLER,HUB,15 TOOTH 7/16BOLT* | | | | | |
| -- | 89811GT | HOUSING,PUMP MOUNT (64079) | | | | | |
| -- | 89813GT | FLEX PLATE,COUPLER (64079) | | | | | |
| 31 | 24038GT | SHOCK MOUNT,SMALL.....4 | 4 | | | | |
| -- | 15086GT | WASHER,FLAT,.375 X 1.5 X .125 | | | | | |

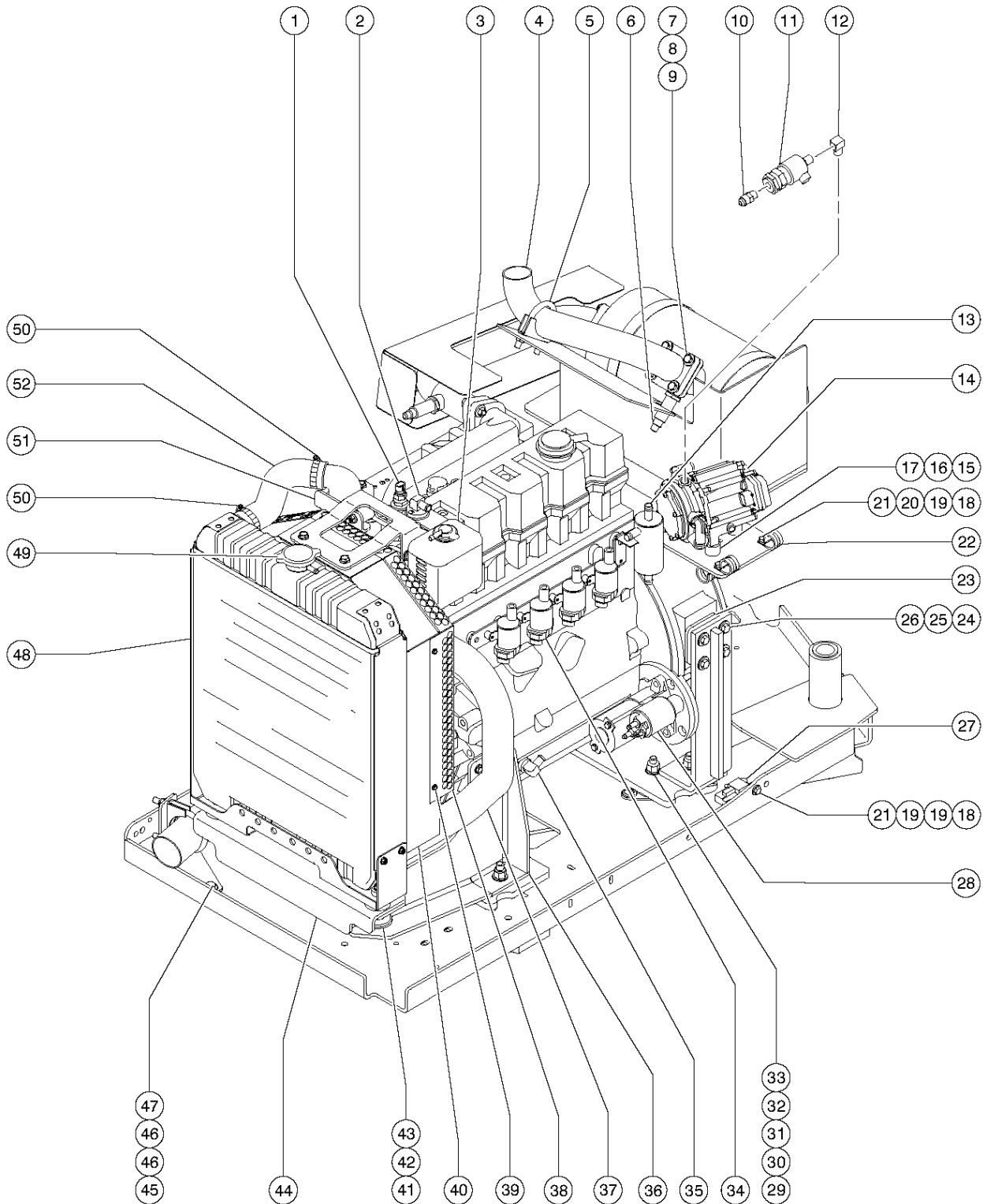
428.1 Continental TME-27 Engine - View 1



428.1 Continental TME-27 Engine - View 1

| Item | Part No. | Description | Qty. | Item | Part No. | Description | Qty. |
|------|----------|--|------|------|-----------|---|------|
| -- | 111839GT | HARNESS,CONTINENTAL ENG,TME27 to SN 1913 | | 15 | 111838GT | FITTING,STR,1/8NPT X 3/16 HB.....1 | |
| -- | 111840GT | HARNESS,TME27 STARTER RELAY to SN 1913 | | 16 | 111917GT | OIL FILTER,TME 2.7L ENGINE.....1 | |
| -- | 122865GT | HARNESS-B,TME27 ENGINE,EPA2007 from SN 1914 | | 17 | 111919GT | ADAPTER,MIXER, TME27.....1 | |
| -- | 111890GT | SPARK PLUG, NGK BPR5ES | | 18 | 22558GT | SCREW,HHC,M14 X 40MM,GR 8.8 | |
| -- | 111890GT | SPARK PLUG, NGK BPR5ES | | 19 | 37505GT | WASHER,LOCK,M14 | |
| -- | 111836GT | SPARK PLUG WIRE,TME27 | | 20 | 67723GT | WASHER,FLAT,M14 HARDENED | |
| -- | 30810GT | SENDING UNIT,OIL PRESSURE*** dual-terminal sender | | 21 | 111847GT | ENGINE MOUNT,RIGHT FRONT,TME27.....1 | |
| -- | 28607GT | ADAPTER,140139-8-6 | | 22 | 111845GT | DIPSTICK,CONTINENTAL, TME27.....1 | |
| -- | 111923GT | FAN, TME2.7L ENGINE to SN 1913 | | 23 | 111922GT | THROTTLE,ELECTRIC, TME2.7L ENG...1 | |
| -- | 122325GT | FAN,6 BLADE,17IN.PUSH from SN 1914 | | 24 | 111859GT | FITTING PLUG,#8.....1 | |
| -- | 111894GT | FAN SPACER,29.7MM | | 25 | 111860GT | HOSE ASSY,OIL DRAIN,TME27 | |
| -- | 111903GT | SWITCH, LOW OIL PRESS, TME27 from SN 1914 | | 26 | 31817GT | ELBOW,90DEG.1/4MPT-3/8 BARB.....1 | |
| -- | 121594GT | HOSE ASSY,LP GAS,120"LG high pressure propane hose from tank to regulator) | | 27 | 111818GT | FITTING,1/4 NPT X SAE J2044.....1 | |
| -- | 111905GT | SENSOR,MAP, TME2.7L ENGINE | | 28 | 19363GT | ELBOW,130239-4-4.....1 | |
| -- | | | | 29 | 111857GT | ENGINE MOUNT,REAR,TME27.....1 | |
| 1 | 80358GT | SCREW,FHS,M8 X 1.25 X 16 | | 30 | 111885GT | FLYWHEEL CONTINENTAL TME27.....1 | |
| 2 | 59579GT | NUT, HEX FLANGE M 8 X 1.25 | | 30B | 1279764GT | CAM/CRANK SENSOR,TME-27.....1 | |
| 3 | 111854GT | BRACKET,RADIATOR SUP,TME27.....1 | | 31 | 49376GT | SCREW,HHC,M6 X 25 | |
| 4 | 111853GT | ISOLATOR,VIB, 32 X 32 M8-1.25.....1 | | 32 | 49407GT | WASHER,LOCK,M6 | |
| 5 | 49398GT | SCREW,FHS,M8 X 1.25 X 30 | | 33 | 25926GT | WASHER,FLAT,M6 PLTD. | |
| 6 | 111884GT | WATER PUMP, CONTINENTAL TME27.....1 | | 34 | 111827GT | BRACKET,HEAT SHIELD REAR, TME27.....1 shown | |
| -- | 111883GT | WATER PUMP GASKET | | -- | 111826GT | BRACKET,HEAT SHIELD,FRNT,TME27 | |
| 7 | 111918GT | BELT,FEAD, TME 2.7L ENGINE.....1 | | 35 | 49375GT | SCREW,HHC,M6 X 16 | |
| -- | 111841GT | PULLEY,CRANKSHAFT,TME27 | | 36 | 55017GT | NUT,HEX, M6 | |
| -- | 111842GT | WASHER,CRANKSHAFT,TME27 | | 37 | 111829GT | HEAT SHIELD INJECTOR,TME27.....4 | |
| -- | 111843GT | BOLT,CRANKSHAFT,TME27 | | -- | 111807GT | INJECTOR,FUEL,CONT,TME2.7L | |
| -- | 111867GT | WHEEL, CRANK POSITION | | 38 | 111888GT | MANIFOLD,EXHAUST,TME27.....1 | |
| -- | 22700GT | WASHER,LOCK,M10 | | -- | 111895GT | GASKET,EXHAUST 2INCH,2BOLT | |
| -- | 27034GT | SCREW,HHC,M10 X 25MM,GR 8.8 | | 39 | 111837GT | CAP,OIL FILL,TME27.....1 | |
| 8 | 111824GT | HEAT SHIELD,FUEL RAIL, TME27.....1 | | -- | 42280GT | CLAMP,HOSE,.50 | |
| 9 | 111822GT | FUEL RAIL, TME27.....1 | | 40 | 236449GT | VALVE COVER, TME27 | |
| 10 | 111825GT | SPACER,HEAT SHIELD,TME27.....2 | | -- | 236450GT | GASKET,CYL HEAD COVER,TME27 | |
| 11 | 111924GT | ALTERNATOR,TME2.7L ENGINE.....1 | | | | | |
| 12 | 49375GT | SCREW,HHC,M6 X 16 | | | | | |
| 13 | 49407GT | WASHER,LOCK,M6 | | | | | |
| 14 | 18666GT | CLAMP,1.00,#16 X 1/4,RUB CUSH.....2 | | | | | |

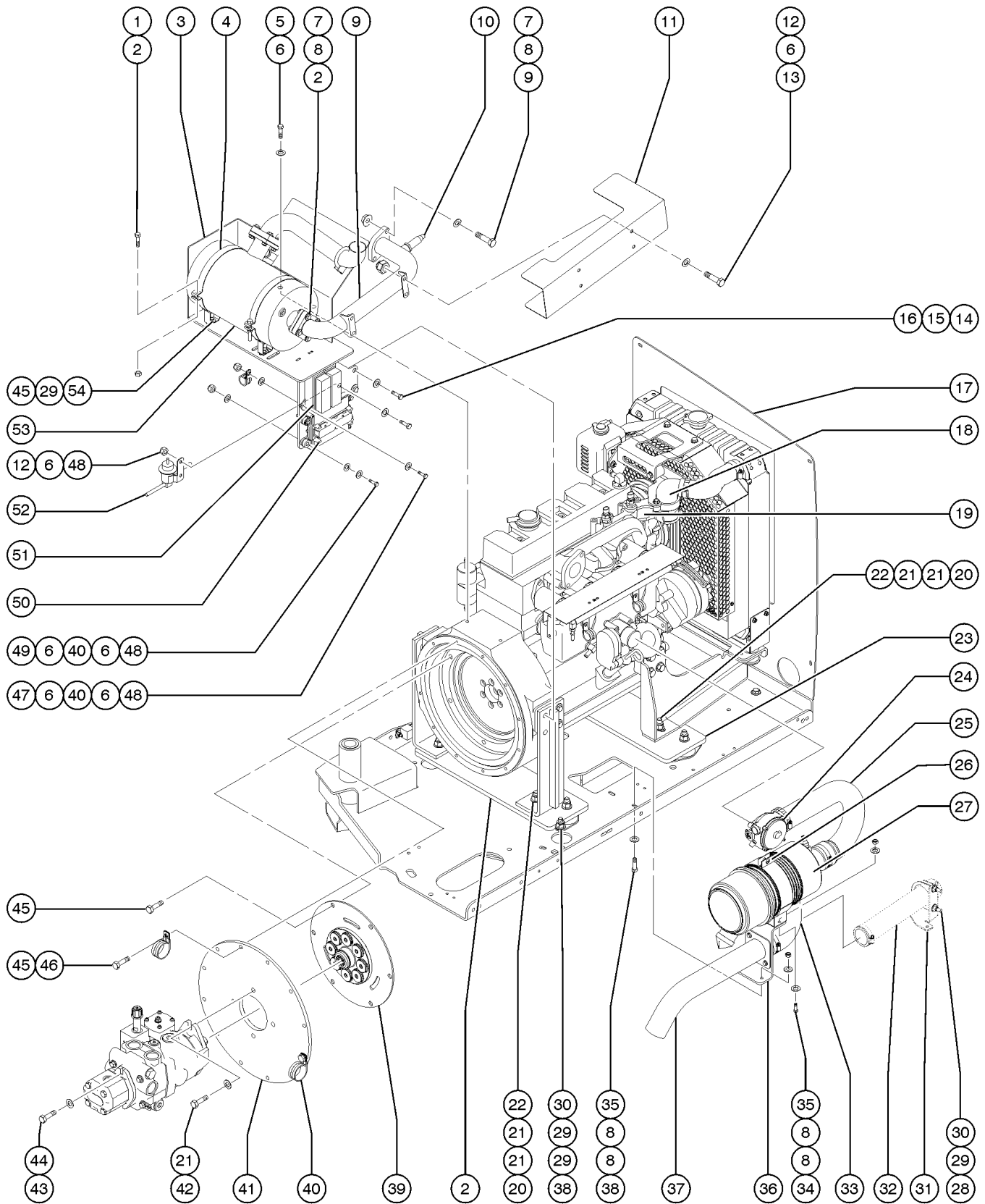
429.1 Continental TME-27 Engine - View 2



429.1 Continental TME-27 Engine - View 2

| Item | Part No. | Description | Qty. | Item | Part No. | Description | Qty. |
|------|----------|---|------|------|-----------|---|------|
| -- | 111898GT | FITTING KIT, EPR VALVE <i>from SN 1914</i> | | 28 | 111916GT | STARTER,TME 2.7L ENGINE.....1 | |
| -- | 122255GT | KIT,EPR FITTING,TME27,EPA2007 <i>from SN 1914</i> | | 29 | 10598GT | SCREW,HHC,1/2-13 X 3 | |
| 1 | 111882GT | SENSOR,ENGINE TEMP,TME27.....1 | | 30 | 102066PGT | CASTING,WASHER,REBOUND,PAINTED.2 | |
| 2 | 236451GT | ELBOW,1/2"H X 3/8"P,TME27.....1 | | 31 | 70452GT | ISOLATOR,ENGINE VIBRATION***4 | |
| -- | 236452GT | FITTING,PCV TO VLV COVER,TME27 | | 32 | 13066GT | WASHER,FLAT,.5 HARDENED.....4 | |
| -- | 236453GT | GASKET,PCV FITTING,TME27 | | 33 | 6198GT | NUT,NYLOCK,1/2-13 | |
| -- | 236454GT | SCREW,#10-32 X 5/8"L | | 34 | 111830GT | COIL ASSY,IGNITION,TME27.....1 | |
| -- | 236455GT | WASHER,#10,LOCK | | -- | 111831GT | COIL IGNITION,TME27 | |
| 3 | 111856GT | ASST,OVERFLOW BOTTLE,TME27.....1 | | -- | 111832GT | BRACKET,IGNITION COIL,TME27 | |
| 4 | 111808GT | WELDMENT,EXHAUST PIPE.....1 | | -- | 111833GT | NUT,CLINCH,10-32 X 1 | |
| 5 | 102121GT | CLAMP,MUFFLER,1-7/8 IN.....2 | | -- | 111834GT | SPACER,.20 ID X .50 OD X .4 LG | |
| 6 | 111910GT | SENSOR,O2,EXH.COLL., PIPE.....1 <i>to SN 1913</i> | | -- | 111835GT | SCREW,SHC,10-32 X 1 | |
| -- | 122243GT | SENSOR,O2, TME27 EPA2007 <i>from SN 1914</i> | | -- | 6607GT | WASHER,LOCK,#10 PLTD | |
| 7 | 61741GT | SCREW,HHC,5/16-18 X 1.50 | | 35 | 111844GT | FITTING,OIL PAN BREATHER,TME27...1 | |
| 8 | 5397GT | WASHER,FLAT,USS,5/16",Y | | 36 | 111848GT | ENGINE MOUNT,LEFT FRONT,TME27.....1 | |
| 9 | 18503GT | NUT,LOCKING-LG.FLANGE,5/16-18 | | 37 | 111880GT | HOSE,LOWER RADIATOR, TME27.....1 | |
| 10 | 19358GT | CONNECTOR,010102-6-4.....1 | | 38 | 111358GT | CONT FAN GUARD FT W/WORD DECAL.....1 | |
| 11 | 119232GT | LOCKOFF,LP,FORD DSG/MSG.....1 | | -- | 111871GT | GUARD,FAN,FRONT,TME27 | |
| 12 | 119824GT | ELBOW,90DEG,5502-04-04-B.....1 | | 39 | 111872GT | SCREW,FRONT FAN GUARD,TME27...4 | |
| 13 | 111869GT | OIL SEPARATOR.....1 | | 40 | 111873GT | GUARD,FAN REAR,TME27.....1 | |
| -- | 111868GT | VALVE,PVC,TMEW7 | | -- | 111874GT | SCREW,REAR FAN GUARD,TME27 | |
| -- | 111870GT | VALVE,CHCEK,TME27 | | 41 | 39479GT | SCREW,HHC,1/2-13 X 2.75 | |
| -- | 42280GT | CLAMP,HOSE,.50 | | 42 | 111850GT | WASHER,ISOLATOR,TME27.....2 | |
| 14 | 111913GT | REGULATOR,LPG(EPR),TME27.....1 <i>to SN 1913</i> | | 43 | 111851GT | ISOLATOR,RADIATOR,TME27.....2 | |
| -- | 122245GT | REGULATOR,LPG (EPR),TME27 2007 <i>from SN 1914</i> | | 44 | 111849GT | BRACKET,LOWER RAD,TME27.....1 | |
| 15 | 110919GT | ISOLATOR,VIBRATION,M8 M/M.....4 | | 45 | 6019GT | SCREW,HHC,3/8-16 X 1.25 GRD 5 | |
| 16 | 33277GT | WASHER,FLAT,M8,YELLOW ZINC | | 46 | 6097GT | WASHER,FLAT,USS,3/8",Y | |
| 17 | 25368GT | NUT,NYLOCK,M8X1.25 | | 47 | 4828GT | NUT,NYLOCK,3/8-16 | |
| 18 | 6888GT | SCREW,HHC,1/4-20 X 1 | | 48 | 111359GT | CONT RADR ASSY W/WORD DECAL...1 | |
| 19 | 6638GT | WASHER,FLAT,USS,1/4"Y | | -- | 111855GT | RADIATOR,CONTINTNTAL | |
| 20 | 16073GT | CLAMP,0.63,#10 X 1/4,RUB CUSH.....2 | | -- | 111864GT | PETCOCK,RADIATOR,1,4NPT | |
| 21 | 6091GT | NUT,NYLOCK,1/4-20 | | 49 | 111865GT | CAP,RADIATOR,TME27.....1 | |
| 22 | 13268GT | CLAMP,0.75,#12 X 1/4,RUB CUSH.....2 | | 50 | 45435GT | CLAMP,HOSE,2.50"***4 | |
| 23 | 111858GT | SPACER,ENGINE MOUNT,TME27.....2 | | 51 | 111852GT | BRACKET,UPPER SUPPORT,TME27.....1 | |
| 24 | 5224GT | SCREW,HHC,3/8-16 X 2 | | 52 | 111881GT | HOSE,UPPER RADIATOR, TME27.....1 | |
| 25 | 6021GT | WASHER,LOCK,.375 | | | | | |
| 26 | 19934GT | WASHER,3/8 HARD.STEEL-FLAT,USS.....8 | | | | | |
| 27 | 61225GT | RELAY,12VDC,70AMP,SEALED.....1 | | | | | |

430.1 Continental TME-27 Engine - View 3



430.1 Continental TME-27 Engine - View 3

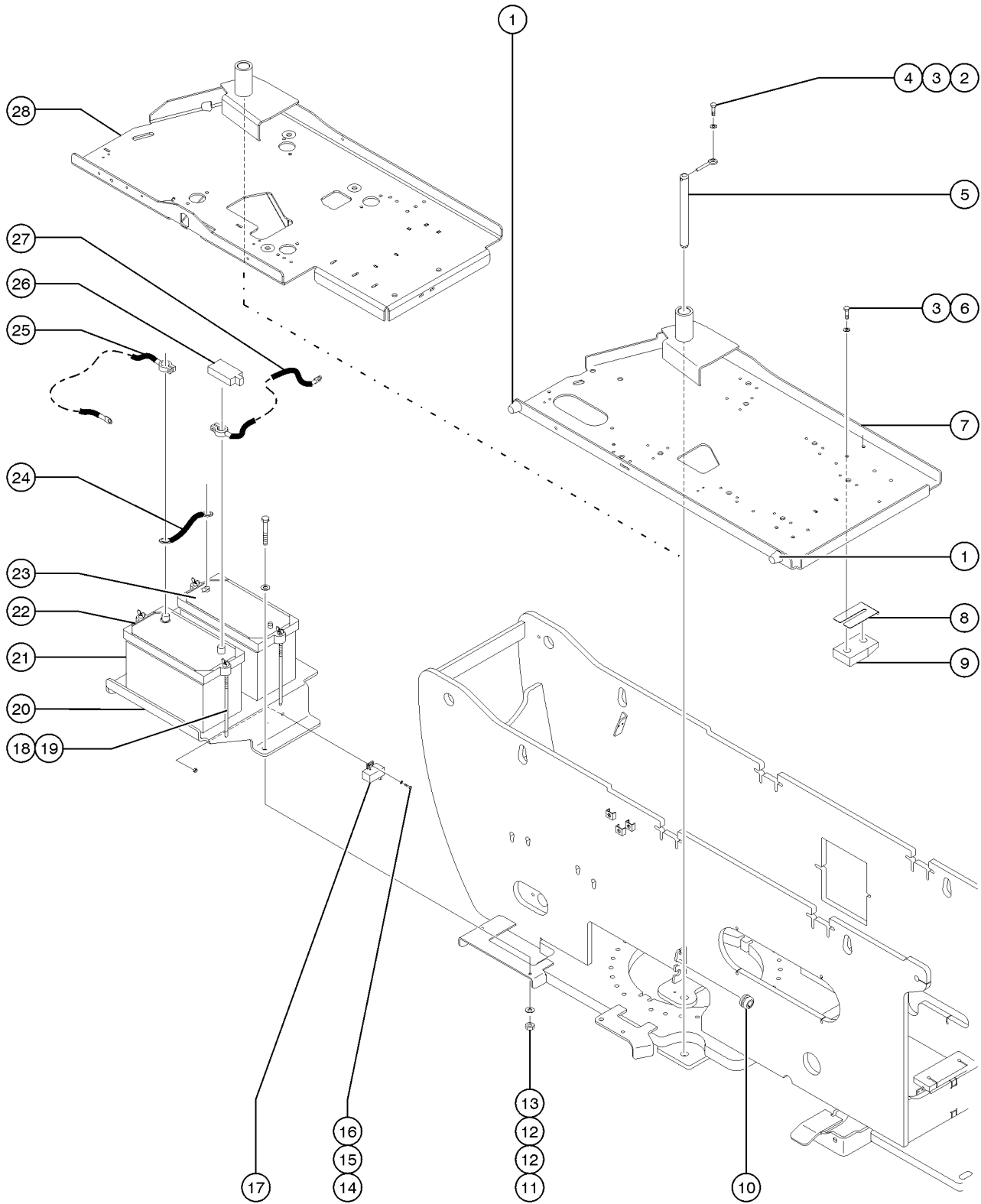
| Item | Part No. | Description | Qty. | Item | Part No. | Description | Qty. |
|------|-----------|---|------|------|-----------|---|------|
| 1 | 8178GT | SCREW,HHC,3/8-16 X 2.5 | | -- | 65810GT | BAFFLE, AIR CLEANER (27915)** | |
| 2 | 18503GT | NUT,LOCKING-LG.FLANGE,5/16-18 | | 28 | 71911GT | CLAMP,MUFFLER, 2.50 INCH.....1 to SN 1913 | |
| 3 | 111799PGT | WELDMENT,MUFFLER MOUNT,PTD.....1 | | 29 | 6097GT | WASHER,FLAT,USS,3/8",Y | |
| 4 | 119051GT | MOUNTING BAND,MUFFLER,8.0".....2 | | 30 | 4828GT | NUT,NYLOCK,3/8-16 to SN 1913 | |
| 5 | 10107GT | SCREW,HHC,5/16-18 X .75 | | 31 | 111800PGT | FORMING,INTAKE TUBE BRCKT,PTD.....1 to SN 1913 | |
| 6 | 6638GT | WASHER,FLAT,USS,1/4"Y | | 32 | 111803GT | TUBE,INTAKE,AIR CLEANER.....1 to SN 1913 | |
| 7 | 61741GT | SCREW,HHC,5/16-18 X 1.50 | | 33 | 34164GT | ELBOW,90 DEGR,RUBBER,2.5" I.D.*.....1 | |
| 8 | 5397GT | WASHER,FLAT,USS,5/16",Y | | -- | 35434GT | CLAMP,HOSE,2.00*** | |
| 9 | 111794GT | WELDMENT,EXHAUST COLL.PIPE.....1 | | -- | 45435GT | CLAMP,HOSE,2.50**** | |
| 10 | 111911GT | SENSOR,O2,CAT MUFFLER,DISCH.....1 to SN 1913 | | 34 | 13002GT | SCREW,HHC,5/16-18 X 1 GR5 | |
| 11 | 111810GT | FORMING,HEAT SHIELD,EXH PIPE.....1 | | 35 | 6782GT | NUT,NYLOCK,5/16-18 | |
| 12 | 6090GT | SCREW,HHC,1/4-20 X .75 | | 36 | 111804PGT | FORMING,AIR CLEANER MOUNT,PTD.....1 | |
| 13 | 111805GT | NUT,LOCK,HEX,M10 | | 37 | 122327GT | WELDMENT,TUBE,AIR INTAKE.....1 from SN 1914 | |
| 14 | 5224GT | SCREW,HHC,3/8-16 X 2 | | 38 | 6019GT | SCREW,HHC,3/8-16 X 1.25 GRD 5 | |
| 15 | 6021GT | WASHER,LOCK, .375 | | 39 | 128004GT | COUPLER,15 TOOTH,FBA,SAE8***.....1 | |
| 16 | 19934GT | WASHER,3/8 HARD,STEEL-FLAT,USS.....2 | | -- | 111862GT | COUPLER,HUM,15T X 50T.....1 (used with 33024) | |
| 17 | 111802PGT | FORMING,RADIATOR BAFFLE,PTD.....1 to SN 1913 | | -- | 128023GT | KIT,FBA STYLE COUPLER,SAE8 upgrade kit; replaces 33024 and 111862 with 128004 | |
| -- | 122562PGT | FORMING,RADIATOR BAFFLE,PTD from SN 1914 | | -- | 33024GT | FLYWHEEL FLANGE,GREEN PLASTIC.....1 (used with 111862) | |
| 18 | 122260GT | THERMOSTAT,CONTINENTAL TME27.....1 | | 40 | 60838GT | CLAMP,1.00,#16 X 7/16,RUB CUSH.....1 | |
| -- | 122261GT | GASKET,THERMOSTAT,TME27 | | 41 | 111861GT | PLATE,PUMP MOUNT,SAE 4.....1 | |
| 19 | 111887GT | MANIFOLD,COOLANT, TME27.....1 | | 42 | 8177GT | SCREW,HHC,1/2-13 X 1.5 | |
| -- | 111886GT | GASKET,MANIFOLD,COOLANT,TME27 | | 43 | 10597GT | SCREW,HHC,1/2-13 X 1.25 GR5 | |
| 20 | 6096GT | SCREW,HHC,1/2-13 X 2 GR5 | | 44 | 22699GT | WASHER,FLAT,M10,ZINC PLTD. | |
| 21 | 13066GT | WASHER,FLAT,5 HARDENED | | 45 | 6175GT | SCREW,HHC,3/8-16 X 1 | |
| 22 | 6198GT | NUT,NYLOCK,1/2-13 | | 46 | 77181GT | CLAMP,1.63,#26 X 3/8,RUB CUSH.....2 | |
| 23 | 111801PGT | PLATE,ENGINE MOUNT,PTD.....1 | | 47 | 6888GT | SCREW,HHC,1/4-20 X 1 | |
| 24 | 111920GT | MIXER,TME 2.7L,ENGINE.....1 | | 48 | 6091GT | NUT,NYLOCK,1/4-20 | |
| 25 | 111815GT | HOSE,AIR CLEANER TO MIXER.....1 | | 49 | 6637GT | SCREW,HHC,1/4-20 X 1.75 | |
| 26 | 53952GT | BRKT,AIR CLEANER ORIENTATION**.....1 | | 50 | 122011GT | HARN,ENG,CONT,TME27,Z80.....1 to SN 4804 | |
| 27 | 63463GT | AIR CLEANER,NELSON***.....1 plastic housing | | -- | 111806GT | HARNESS,STARTER RELAY TME27 | |
| -- | 1277991GT | CLIP,AIR CLEANER COVER (58247) for 58247 | | -- | 111907GT | HARNESS, TME27 ENGINE,EPA2006 | |
| -- | 227988GT | VACUATOR VALVE | | -- | 1253171GT | HARNESS,ENG,CONT, TME27, Z80 from SN 4805 | |
| -- | 38922GT | ELBOW,90DEG.1/8MPT-5/16 BARB | | -- | 1253210GT | CIRCUIT BRKR THERM AUTORESET 6 from SN 4805 | |
| -- | 52866GT | EVACUATOR VALVE-AIR CLEANER | | | | | |
| -- | 58247GT | AIR CLEANER CAP/ FORD/NOLFF*** | | | | | |
| -- | 58415GT | CLIP,AIR CLEANER END CAP*** end cap not available separately | | | | | |
| -- | 62420GT | FILTER,AIR*** | | | | | |

430.1 Continental TME-27 Engine - View 3
(continued)

| Item | Part No. | Description | Qty. |
|------|----------|--|------|
| 51 | 111912GT | CONTROL MODULE,(GCP),TME27.....1 <i>to SN 1913</i> | |
| -- | 122244GT | CONTROL MODULE, TME27 2007 <i>from SN 1914</i> | |
| 52 | 111914GT | REGULATOR,FUEL PRESS. TME27.....1 <i>to SN 1913</i> | |
| -- | 122246GT | REGULATOR,FUEL PRESS,TME27'07 <i>from SN 1914</i> | |
| 53 | 111710GT | MUFFLER,CATALYTIC,CONTINENTAL...1 | |
| -- | 72343GT | GASKET,EXH FLANGE-FORD/PERKINS | |
| 54 | 48425GT | NUT,FLG-LRG,3/8-16,YZ | |

This Page Intentionally Left Blank

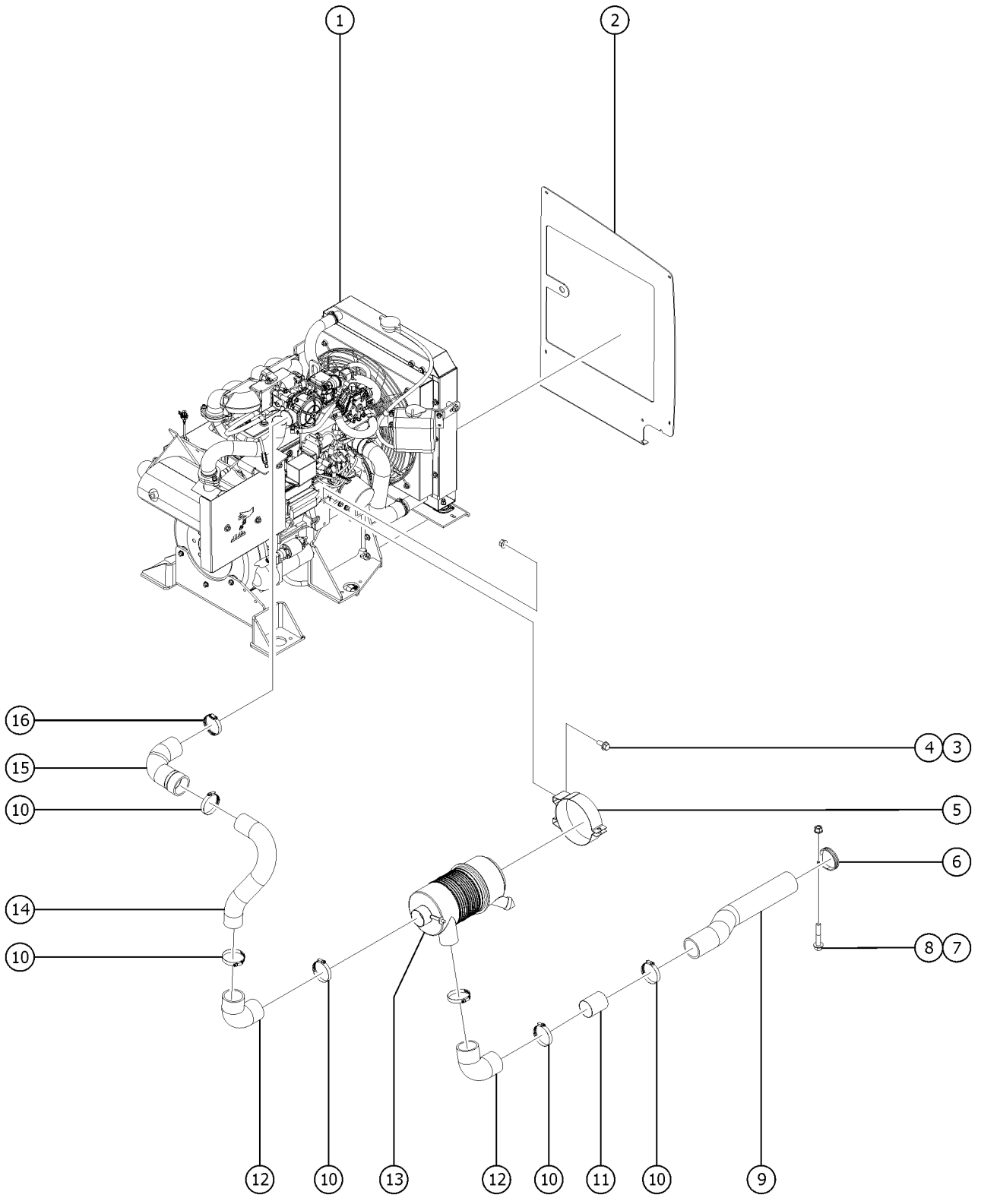
431.1 Engine Tray and Battery



431.1 Engine Tray and Battery

| Item | Part No. | Description | Qty. | Item | Part No. | Description | Qty. |
|------|-----------|--|------|------|----------|---|------|
| -- | 237068GT | SEPARATOR,DUAL BATTERY,100A | | 26 | 18189GT | BOOT,BATTERY TERMINAL,RED.....1 | |
| -- | 214393GT | KIT, BATT SEPARATOR, ANSI/CSA <i>includes part 237068</i> | | 27 | 88158GT | BATT.CABLE,00,POS.,RED,76".....1 <i>Deutz, Perkins, Continental models</i> | |
| -- | 215209GT | KIT, BATT SEPARATOR, CE <i>includes part 237068</i> | | -- | 60930GT | CABLE,BATTERY POSITIVE <i>Ford models</i> | |
| -- | 215210GT | KIT, BATT SEPARATOR, AS <i>includes part 237068</i> | | 28 | 825240GT | WLDMT, ENGINE TRAY, Z80 T4 DEUTZ <i>(Models with Deutz 2.9L or Perkins 404F-22T)</i> | |
| -- | 81878GT | HARNESS,#8AWG BATT TO SEPERATR | | | | | |
| -- | 88154GT | HARNESS,BATT TO APU SOLENOID | | | | | |
| 1 | 30973GT | BUMPER,RUBBER-1 X 1.25.....2 | | | | | |
| 2 | 6175GT | SCREW,HHC,3/8-16 X 1 | | | | | |
| 3 | 6021GT | WASHER,LOCK,.375 | | | | | |
| 4 | 825019GT | ROD END,.375X3.69,ZAG.....1 | | | | | |
| 5 | 81724GT | PIN,1.25 X 13.25 IN,CHAMFER.....1 | | | | | |
| 6 | 6019GT | SCREW,HHC,3/8-16 X 1.25 GRD 5 | | | | | |
| 7 | 77825GT | ENGINE TRAY PIVOT ASSEMBLY <i>Perkins Models; to SN 328</i> | | | | | |
| -- | 101540GT | ENGINE TRAY ASSY W/BEARINGS <i>Perkins Models; from SN 329</i> | | | | | |
| -- | 35675GT | BEARING,FL,1.25IDX1.5ODX1.25L | | | | | |
| -- | 77825GT | ENGINE TRAY PIVOT ASSEMBLY <i>Deutz Models; to SN 338</i> | | | | | |
| 8 | 34344GT | SHIM,SIDE PAD 16GA. 3 X 5.....2 | | | | | |
| 9 | 81522GT | WEAR PAD,ENGINE TRAY.....1 | | | | | |
| 10 | 61189GT | GROMMET,RUBBER .75 X .38 X1.13....2 | | | | | |
| 11 | 4828GT | NUT,NYLOCK,3/8-16 | | | | | |
| 12 | 5397GT | WASHER,FLAT,USS,5/16",Y | | | | | |
| 13 | 6019GT | SCREW,HHC,3/8-16 X 1.25 GRD 5 | | | | | |
| 14 | 6888GT | SCREW,HHC,1/4-20 X 1 | | | | | |
| 15 | 6638GT | WASHER,FLAT,USS,1/4"Y | | | | | |
| 16 | 6091GT | NUT,NYLOCK,1/4-20 | | | | | |
| 17 | | CONTROLLER,GLOW PLUG (53883)...1 <i>Perkins models; to SN 328 (component no longer available)</i> | | | | | |
| 18 | 45708GT | HOOK,BATT HOLD DOWN,10".....4 | | | | | |
| 19 | 8170GT | NUT,WING,1/4-20.....4 | | | | | |
| 20 | 81615PGT | TRAY,BATTERY.....1 <i>to SN 776</i> | | | | | |
| -- | 102343PGT | BATTERY TRAY,FORMING,PAINTED <i>from SN 777</i> | | | | | |
| 21 | 30143GT | BATTERY,12V,1000 CCA GRP 31.....1 | | | | | |
| 22 | 30144GT | BATTERY HOLD DOWN,GROUP 31.....2 | | | | | |
| 23 | 77694GT | BATTERY,12V DEEP CYC 5/16"STUD....1 | | | | | |
| 24 | 81562GT | HARNESS,GND,BATT 1 TO BATT 2.....1 | | | | | |
| 25 | 88157GT | BATTERY CABLE,2/0,BLACK,64".....1 <i>Deutz, Perkins, Continental models</i> | | | | | |
| -- | 75719GT | CABLE,GROUND,79" W/PIGTAIL <i>Ford models</i> | | | | | |

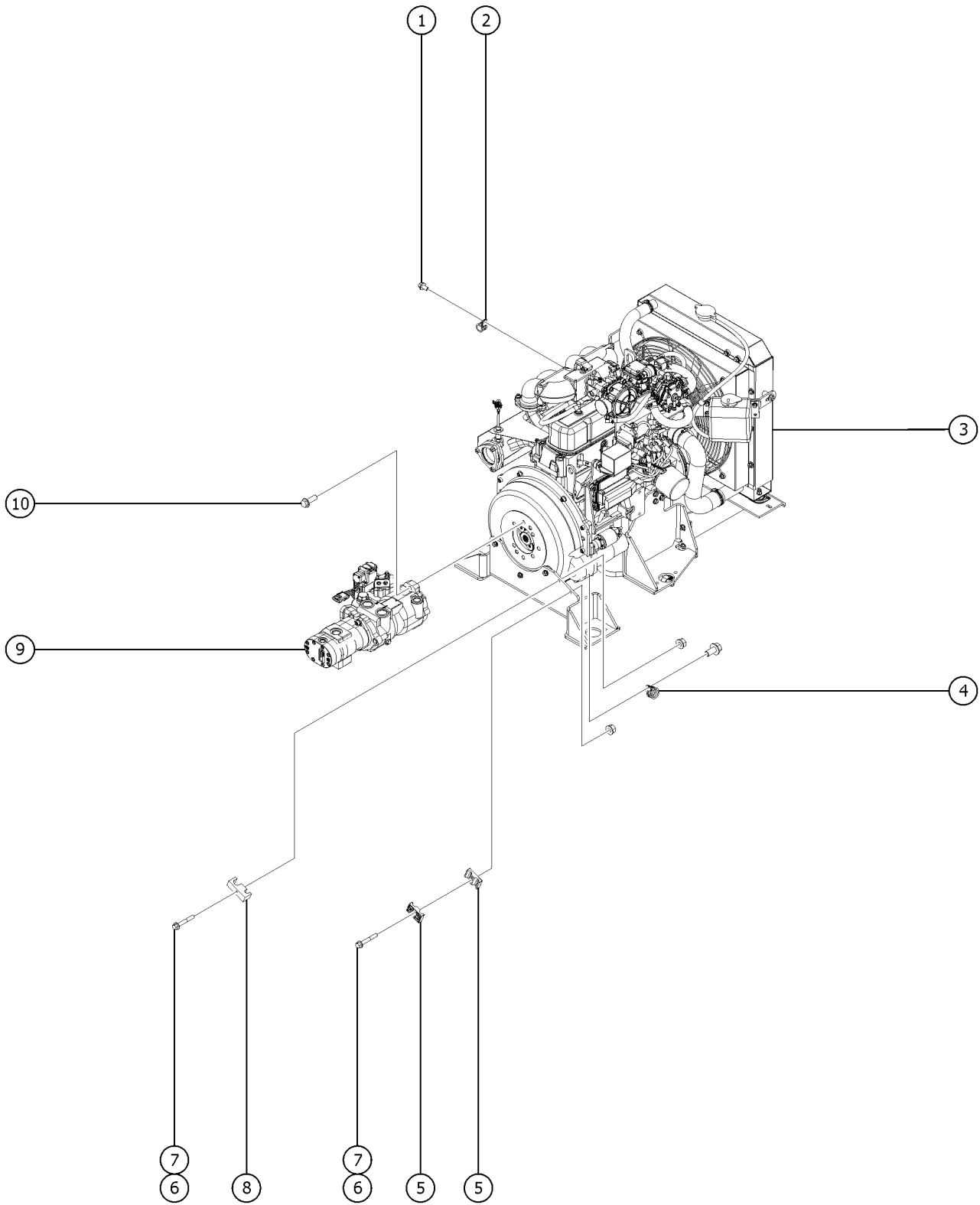
432.1 GM 3.0L Engine - View 1 (from SN 6086)



432.1 GM 3.0L Engine - View 1 (from SN 6086)

| Item | Part No. | Description | Qty. |
|------|-------------|--|------|
| 1 | | Ref. KIT,ENGINE,GM3.0L,PSI,S80/Z80 (refer to 435.1) | |
| 2 | 1269604GT | FORMING,BAFFLE,Z80,GM3.0L.....1 | 1 |
| 3 | 824085GT | SCREW,HHF,5/16-18X.75,8,ZAG.....2 | 2 |
| 4 | 824028GT | NUT,TL FLG,5/16-18,G,ZAG.....2 | 2 |
| 5 | 53952GT | BRKT,AIR CLEANER ORIENTATION**.....1 | 1 |
| 6 | 70257GT | CLAMP,3.0,#48 X 1/4,RUB CUSH.....1 | 1 |
| 7 | 824081GT | SCREW,HHF,1/4-20X1.5,8,ZAG.....1 | 1 |
| 8 | 824027GT | NUT,TL FLG,1/4-20,G,ZAG.....1 | 1 |
| 9 | 88846GT | HOSE,AIR INLET.....1 | 1 |
| 10 | 30971GT | CLAMP,HOSE,3.00".....6 | 6 |
| 11 | 94324-300GT | TUBE,RD,STL,ALM,2.50X.065X3.00.....1 | 1 |
| 12 | 34164GT | ELBOW,90 DEGR,RUBBER,2.5" I.D.*.....2 | 2 |
| 13 | 63463GT | AIR CLEANER,NELSON***.....1 <i>plastic housing</i> | 1 |
| -- | 52866GT | EVACUATOR VALVE-AIR CLEANER | |
| -- | 58415GT | CLIP,AIR CLEANER END CAP*** <i>end cap not available separately</i> | |
| -- | 62420GT | FILTER,AIR*** | |
| -- | 65810GT | BAFFLE, AIR CLEANER (27915)** | |
| 14 | 70465GT | TAILPIPE,DEUTZ BF4L2011.....1 | 1 |
| 15 | 1269549GT | HOSE,CLEANAIR,90DEG,2.25X2.5.....1 | 1 |
| 16 | 45435GT | CLAMP,HOSE,2.50"***.....1 | 1 |

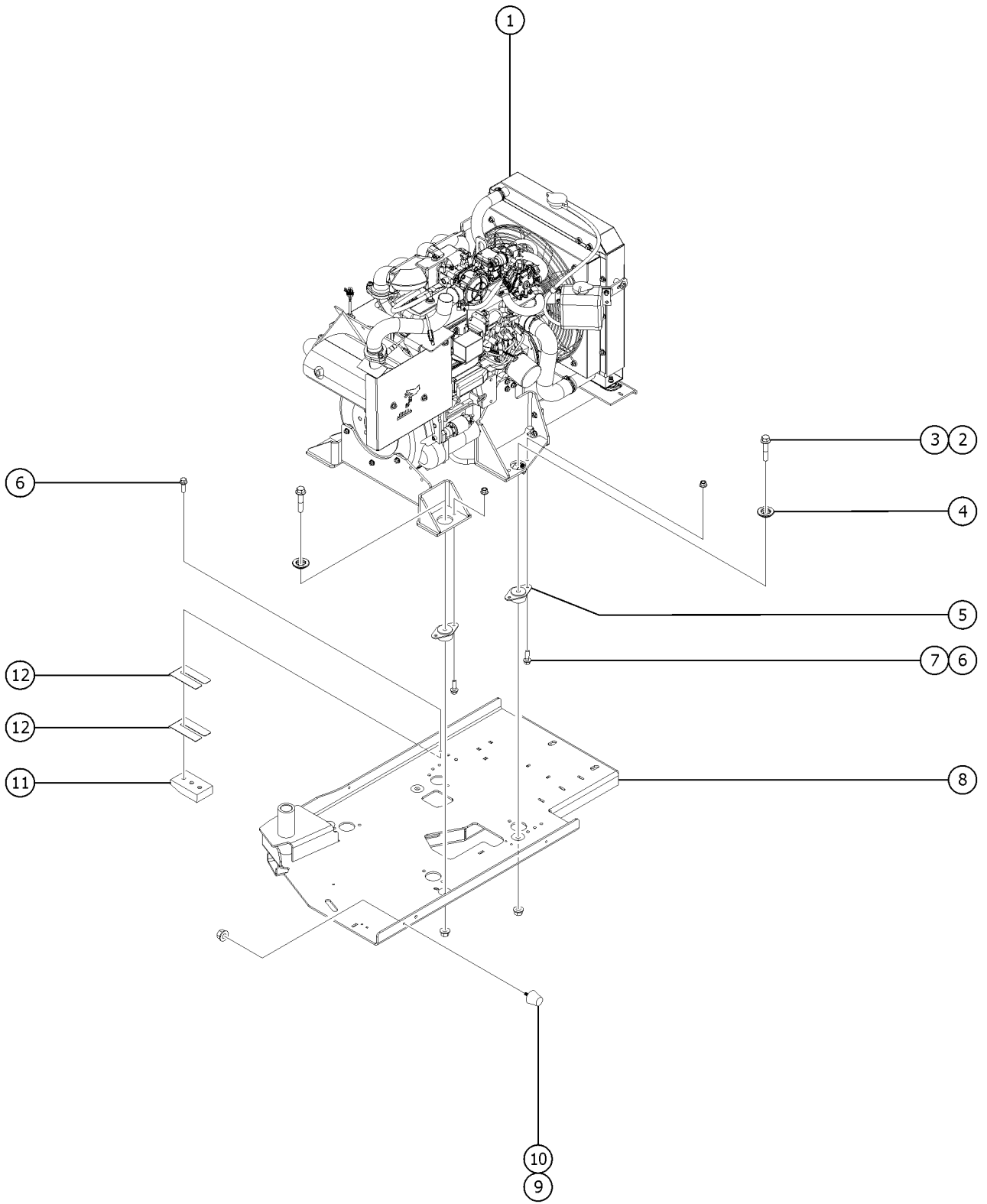
433.1 GM 3.0L Engine - View 2 (from SN 6086)



433.1 GM 3.0L Engine - View 2 (from SN 6086)

| Item | Part No. | Description | Qty. |
|------|----------|--|------|
| 1 | 824089GT | SCREW,HHF,3/8-16X.75,8,ZAG.....1 | 1 |
| 2 | 45454GT | CLAMP,RUB CUSH,0.75,#12 X 3/8*.....1 | 1 |
| 3 | | Ref. KIT,ENGINE,GM3.0L,PSI,S80/Z80 (refer to 435.1) | |
| 4 | 13268GT | CLAMP,0.75,#12 X 1/4,RUB CUSH.....2 | 2 |
| 5 | 78736GT | CLAMP,2 HOSE,PLASTIC,5/8.....2 | 2 |
| 6 | 824082GT | SCREW,HHF,1/4-20X1.75,8,ZAG.....2 | 2 |
| 7 | 824027GT | NUT,TL FLG,1/4-20,G,ZAG.....2 | 2 |
| 8 | 121860GT | CLAMP, HOSE/CABLE.....1 | 1 |
| 9 | | Ref. PUMP ASSY,DRIVE & FUNCTION.....1 (refer to 710.1) | 1 |
| 10 | 123167GT | FLGHCS,1/2-13X1.50,GR8,BLK PH.....2 | 2 |

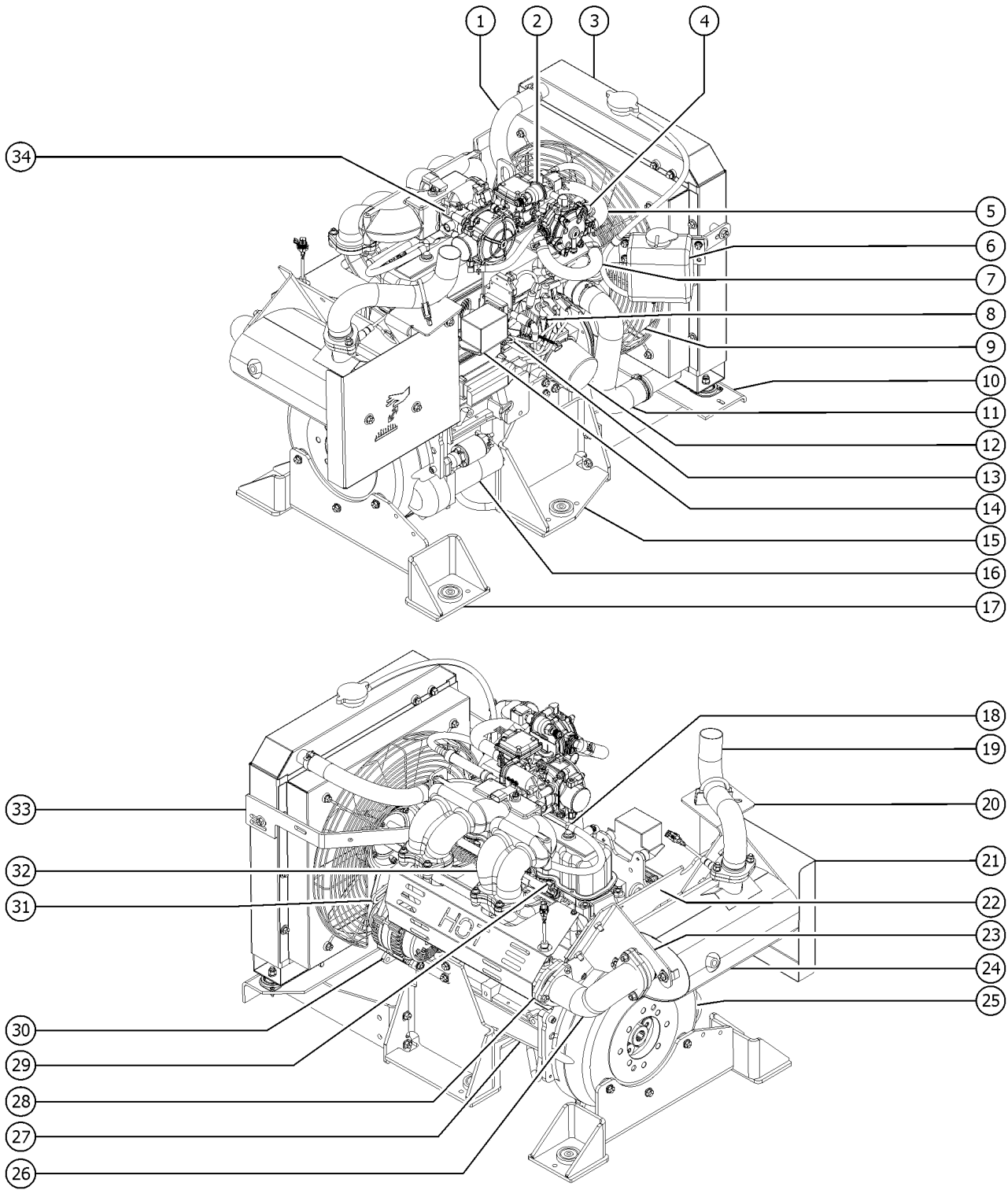
434.1 GM 3.0L Engine - View 3 (from SN 6086)



434.1 GM 3.0L Engine - View 3 (from SN 6086)

| Item | Part No. | Description | Qty. |
|------|-----------|--|------|
| 1 | | Ref. KIT,ENGINE,GM3.0L,PSI,S80/Z80 (refer to 435.1) | |
| 2 | 1255802GT | SCREW,HHF,1/2-13X2.5,8,ZAG..... | 4 |
| 3 | 1251997GT | NUT,TL FLG,1/2-13,G,ZAG..... | 4 |
| 4 | 1274069GT | CASTING, WASHER, ENGINE ISOLAT..... | 4 |
| 5 | 70452GT | ISOLATOR,ENGINE VIBRATION*** | 4 |
| 6 | 824091GT | SCREW,HHF,3/8-16X1.25,8,ZAG..... | 11 |
| 7 | 824029GT | NUT,TL FLG,3/8-16,G,ZAG..... | 8 |
| 8 | 825240GT | WLDMT, ENGINE TRAY, Z80 T4 DEUTZ..... | 1 |
| 9 | 30973GT | BUMPER,RUBBER-1 X 1.25..... | 2 |
| 10 | 824028GT | NUT,TL FLG,5/16-18,G,ZAG..... | 2 |
| 11 | 81522GT | WEAR PAD,ENGINE TRAY..... | 1 |
| -- | 48425GT | NUT,FLG-LRG,3/8-16,YZ | |
| 12 | 34344GT | SHIM,SIDE PAD 16GA. 3 X 5..... | 2 |

435.1 GM 3.0L Engine - View 4 (from SN 6086)



435.1 GM 3.0L Engine - View 4 (from SN 6086)

| Item | Part No. | Description | Qty. | Item | Part No. | Description | Qty. |
|------|-----------|--|------|------|-----------|---|------|
| B | 1273154GT | MANUAL, OPERATORS, GM 3.0L | | 12 | 65623GT | FILTER-OIL,GM 3.0L ENGINE.....1 | |
| C | 1273165GT | MANUAL, SVC AND REPAIR, GM 3.0L | | -- | 1272065GT | SENDER, OIL PRESSURE, GM3.0L ENG.....1 | |
| D | 1272068GT | SENSOR, MAP, GM3.0L ENG.....1 | | 13A | 1272026GT | DIPSTICK, GM3.0L ENG.....1 | |
| E | 1271825GT | ECM, SSI .79L / .97L | | 13B | 1284621GT | TUBE,DIPSTICK,GM 3.0L ENG.....1 | |
| 1A | 81424GT | RADIATOR HOSE,UPPER-GM.....1 | | 14 | 1272050GT | ISOLATOR, RUBBER, GM3.0L ENG.....2 | |
| 1B | 1284622GT | OUTLET,T/STAT,GM 3.0L ENG.....1 | | 15A | 1284667GT | MOUNT,ENG,GM 3.0L ENG.....1 | |
| 1C | 1272070GT | THERMOSTAT, GM3.0L ENG.....1 | | 15B | 1284618GT | SENSOR/BRKT KIT,GM 3.0L ENG.....1 <i>located behind engine support at distributor side of engine</i> | |
| 1D | 1284623GT | GASKET,T/STAT COVER,GM 3.0L ENG.....1 | | 15C | 1272038GT | GASKET, VALVE COVER, GM3.0L ENG <i>engine side cover gasket; located behind engine support at distributor side of engine</i> | |
| 1E | 1284624GT | HOUSING,THERMOSTAT,GM 3.0L ENG.....1 | | 16 | 1272069GT | STARTER, GM3.0L ENG.....1 | |
| 1F | 1284626GT | GASKET,T/S HSG,GM 3.0L ENG.....1 | | 17 | 1284666GT | BRACKET,REAR MOUNT,ALT,GM3.0L ENG.....2 <i>secure to bellhousing</i> | |
| 1G | 1284625GT | SENSOR,AS,GM 3.0L ENG.....1 | | 18A | 1272038GT | GASKET, VALVE COVER, GM3.0L ENG.....1 | |
| 2A | 58386GT | GM 3.0, LP REGULATOR | | -- | 1272024GT | BOLT, CYLINDER HEAD, GM3.0L ENG | |
| -- | 1272028GT | FITTING, GM3.0L ENG <i>Vaporizer hot water supply</i> | | -- | 1272030GT | GASKET, CYL HEAD, GM3.0L ENG | |
| -- | 1272071GT | VALVE, LOCK OFF, GM3.0L ENG.....1 | | 18B | 65620GT | PCV VALVE-GM 3.0L ENGINE.....1 <i>(rear) (hose routed to intake manifold)</i> | |
| 2B | 64066GT | HOSE ASSEMBLY,LP GAS 174" LONG.....1 | | -- | 1272042GT | GROMMET,PCV.....1 <i>(rear)</i> | |
| 3 | 1272060GT | RADIATOR, GM3.0L ENG.....1 | | 18C | 77540GT | CAP,OIL FILLER.....1 <i>(front) (hose routed to throttle body)</i> | |
| -- | 1284786GT | CAP,RADIATOR,GM 3.0L ENG.....1 | | -- | 1272043GT | GROMMET, PCV TUBE, GM3.0L ENG <i>(front)</i> | |
| 4 | 1272044GT | HOSE, FUEL, GM3.0L ENG <i>Vaporizer hot water return to engine (cut to size)</i> | | -- | 1272047GT | HOSE, VAPOR, GM3.0L ENG.....1 <i>(front) (adapter hose)</i> | |
| 5 | 1272045GT | HOSE, VAPORIZER.....1 <i>Vaporizer to Throttle Body</i> | | -- | 1284620GT | ELBOW.....1 <i>(front)</i> | |
| 6A | 1272025GT | BOTTLE, OVERFLOW, GM3.0L ENG.....1 | | 19A | 1284643GT | TAILPIPE,EXHAUST,GM 3.0L ENG.....1 | |
| 6B | 1284630GT | HOSE, OVERFLOW.....1 | | 19B | 1284639GT | SEAL,EXHAUST,GM 3.0L ENG.....1 | |
| 7 | 1272044GT | HOSE, FUEL, GM3.0L ENG.....1 | | 19C | 1272066GT | SENSOR, O2, GM3.0L ENG.....1 | |
| 8A | 77550GT | DISTRIBUTOR/GM 3.0L ENGINE.....1 | | 20 | 1284644GT | BRACKET,CATALYST,GM3.0L ENG.....1 | |
| -- | 1284627GT | SENSOR,CAMSHAFT,GM 3.0L ENG | | 21 | 1284645GT | SHIELD,HEAT,GM 3.0L ENG.....1 | |
| -- | 65624GT | CAP-DISTRIBUTOR, GM 3.0L | | 22 | 1284637GT | BRACKET,MUFFLER,GM3.0L ENG.....1 | |
| -- | 65625GT | ROTOR-DISTRIBUTOR, GM 3.0L | | 23 | 1284642GT | BRACKET,CATALYST,GM3.0L ENG.....1 | |
| 8B | 58412GT | SPARK PLUG WIRE SET,GM 3.0.....1 <i>set of 4 plug wires; order 1284619 coil wire separately</i> | | 24A | 1284638GT | MUFFLER,CATALYST,GM3.0L ENG.....1 | |
| -- | 1284619GT | WIRE,COIL,HVS,GM 3.0L ENG.....1 | | 24B | 1284636GT | FLANGE,EXHAUST,GM3.0L ENG | |
| 8C | 65622GT | SPARK PLUG-GM 3.0L ENGINE.....4 | | 24C | 1272066GT | SENSOR, O2, GM3.0L ENG.....1 | |
| 8D | 77551GT | COIL-IGNITION/GM 3.0L ENGINE.....1 | | 25A | 1272041GT | RING GEAR, GM3.0L ENG.....1 | |
| 9A | 1272057GT | FAN, PULLER 18", GM3.0L ENG.....1 | | 25B | 1284617GT | SENSOR,C/SHAFT,GM 3.0L ENG.....1 | |
| 9B | 1272059GT | PUMP, WATER, GM3.0L ENG.....1 | | 25C | 1272062GT | SEAL, CRANKSHAFT, GM3.0L ENG.....1 <i>round</i> | |
| -- | 1284785GT | GASKET,WATER PUMP | | -- | 1272037GT | GASKET, OIL SEAL, GM3.0L ENG | |
| 9C | 1272039GT | GASKET, TIMING CHAIN, GM3.0L | | | | | |
| 10A | 1284633GT | SUPPORT,RADIATOR,GM 3.0L ENG.....1 | | | | | |
| 10B | 1272049GT | ISOLATOR, GM3.0L ENG.....2 | | | | | |
| 11 | 1272046GT | HOSE, RAD, LOWER, GM3.0L ENG.....1 | | | | | |

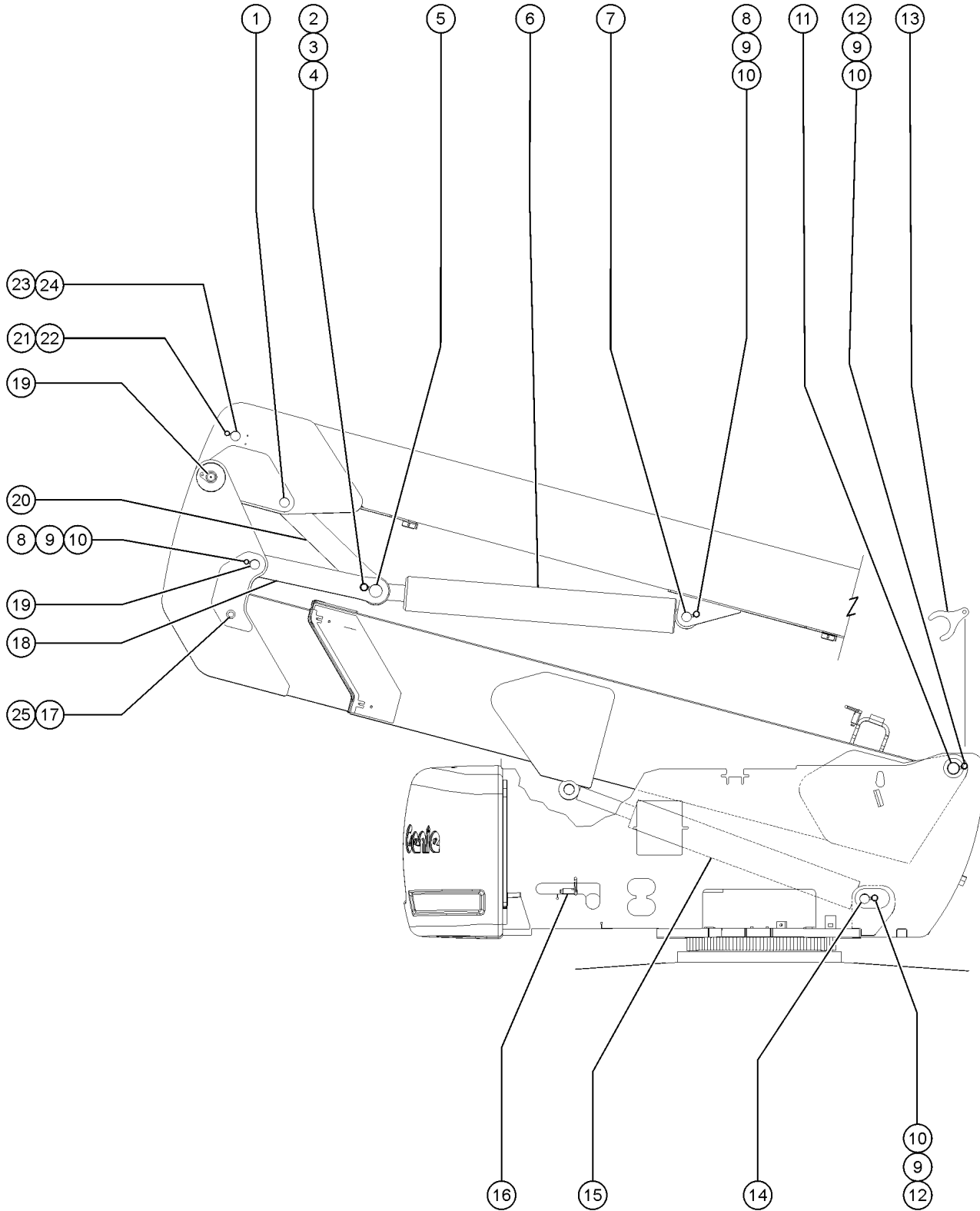
435.1 GM 3.0L Engine - View 4 (from SN 6086) (continued)

| Item | Part No. | Description | Qty. | Item | Part No. | Description | Qty. |
|------|-----------|---|------|------|-----------|--|------|
| 25D | 1284628GT | PLATE,HOUSING,GM 3.0L ENG <i>lower inspection cover</i> | | 31B | 1284656GT | BOLT,ALTERNATOR,GM 3.0L ENG.....1 <i>for belt tension</i> | |
| 25E | 1284629GT | DRIVE PLATE,GM 3.0L ENG <i>attached to crankshaft</i> | | -- | 1284657GT | WASHER,ALT,GM3.0L ENG <i>for 1284656</i> | |
| 26A | 1284641GT | PIPE,EXHAUST,GM3.0L ENG.....1 | | 32A | 1284648GT | MANIFOLD,INTAKE,GM 3.0L ENG.....1 <i>upper intake manifold</i> | |
| 26B | 1272064GT | SEAL, EXHAUST, H/T, GM3.0L ENG.....1 <i>(at muffler)</i> | | -- | 1272033GT | GASKET, INTAKE, GM3.0L ENG.....2 <i>upper intake to lower intake</i> | |
| 26C | 1272031GT | GASKET, DOUNUT, GM3.0L ENG.....1 <i>(at exhaust manifold)</i> | | -- | 1284650GT | MANIFOLD,INTAKE,GM 3.0L ENG.....1 <i>lower intake manifold</i> | |
| 26D | 1284635GT | FLANGE,EXHAUST,GM3.0L ENG.....1 | | 32B | | REF., GASKET.....1 <i>(refer to item 28B)</i> | |
| 27A | 1272035GT | GASKET, OIL PAN, GM3.0L ENG.....1 | | 33A | 1284631GT | BRKT,RADIATOR TOP LH,GM3.0L ENG.....1 <i>exhaust side</i> | |
| -- | 1272058GT | PUMP, OIL, GM3.0L ENG | | 33B | 1284632GT | BRKT,RADIATOR TOP RH,GM3.0L ENG.....1 <i>distributor side</i> | |
| 27B | 1272055GT | PLUG, OIL DRAIN, GM3.0L ENG | | 34 | 1271837GT | THROTTLE BODY, 40MM.....1 | |
| -- | 1272036GT | GASKET, OIL PLUG, GM3.0L ENG.....1 | | -- | 1272027GT | EPR, GM3.0L ENG | |
| 28A | 1284649GT | MANIFOLD,EXHAUST,GM3.0L ENG.....1 | | -- | 1272029GT | GASKET, GM3.0L ENG <i>throttle body to intake manifold</i> | |
| 28B | 1272032GT | GASKET, INT/EXH, GM3.0L ENG.....1 <i>cylinder head to manifolds gasket</i> | | -- | 1272048GT | INLET TO EPR, GM3.0L ENG <i>EPR inlet</i> | |
| 28C | 1284646GT | SHIELD,HEAT,GM 3.0L ENG.....1 | | -- | 1272053GT | MIXER, GM3.0L ENG | |
| 28D | 1272066GT | SENSOR, O2, GM3.0L ENG.....1 | | -- | 1272054GT | ORING, MIXER ADAPTER, GM3.0L ENG <i>mixer outlet</i> | |
| 28E | 1284647GT | EXHAUST FLANGE,GM 3.0L ENG | | -- | 1284634GT | FITTING,THROTTLE BODY,GM3.0L ENG <i>90 degree hose fitting on mixer</i> | |
| 28F | 1272031GT | GASKET, DOUNUT, GM3.0L ENG | | 35 | 1272052GT | MANIFOLD, FUEL, GM3.0L ENG.....1 <i>not shown</i> | |
| 29 | 1272061GT | RAIL, FUEL, W/INJ, GM3.0L ENG.....1 | | -- | 1284670GT | FITTING,GM 3.0L ENG.....2 <i>for 1272052</i> | |
| 30A | 77822GT | ALTERNATOR, GM3.0L ENGINE.....1 | | -- | 1284671GT | FITTING,GM 3.0L ENG.....1 <i>for 1272052</i> | |
| -- | 1284655GT | NUT,ALTERNATOR,GM 3.0L ENG.....2 <i>for 77822</i> | | 36 | 1271652GT | FILTER, FUEL, GM3.0L.....1 <i>not shown</i> | |
| 30B | 1284654GT | BRACKET,ALTERNATOR,GM3.0L ENG.....1 <i>alternator mount bracket</i> | | -- | 1271653GT | PUMP, FUEL, HIGH PRESSURE, GM3.0L.....1 <i>not shown</i> | |
| -- | 1284653GT | SPACER,ALT,GM 3.0L ENG.....1 <i>for 1284663</i> | | -- | 1271654GT | FITTING, FUEL PUMP, GM3.0L.....1 <i>for 1271653</i> | |
| -- | 1284660GT | WASHER,LCK,ALT,GM3.0L ENG.....1 <i>for 1284663</i> | | -- | 1284669GT | CLAMP,RUBBER,GM3.0L ENG.....1 <i>for 1271652, 1271653</i> | |
| -- | 1284661GT | WASHER,ALT,GM3.0L ENG.....2 <i>for 1284663</i> | | | | | |
| -- | 1284662GT | NUT,ALT MNTG,GM3.0L ENG.....1 <i>for 1284663</i> | | | | | |
| -- | 1284663GT | BOLT,ALT MNTG,GM3.0LENG.....1 <i>alternator pivot bolt</i> | | | | | |
| -- | 1284664GT | WASHER,FLAT,GM3.0L ENG.....2 <i>for 1284663</i> | | | | | |
| -- | 1284665GT | BOLT,GM 3.0L ENG.....2 <i>to install 1284654</i> | | | | | |
| 30C | 1284651GT | BELT,ALTERNATOR,GM 3.0L ENG.....1 | | | | | |
| 31A | 1284652GT | STRAP,ALT,GM3.0L ENG <i>alternator belt tension bracket</i> | | | | | |
| -- | 1284658GT | WASHER,LCK,ALT,GM3.0L ENG <i>for 1284659</i> | | | | | |
| -- | 1284659GT | BOLT,ALTERNATOR,GM 3.0L ENG <i>belt bracket pivot bolt</i> | | | | | |

435.1 GM 3.0L Engine - View 4 (from SN 6086)
(continued)

This Page Intentionally Left Blank

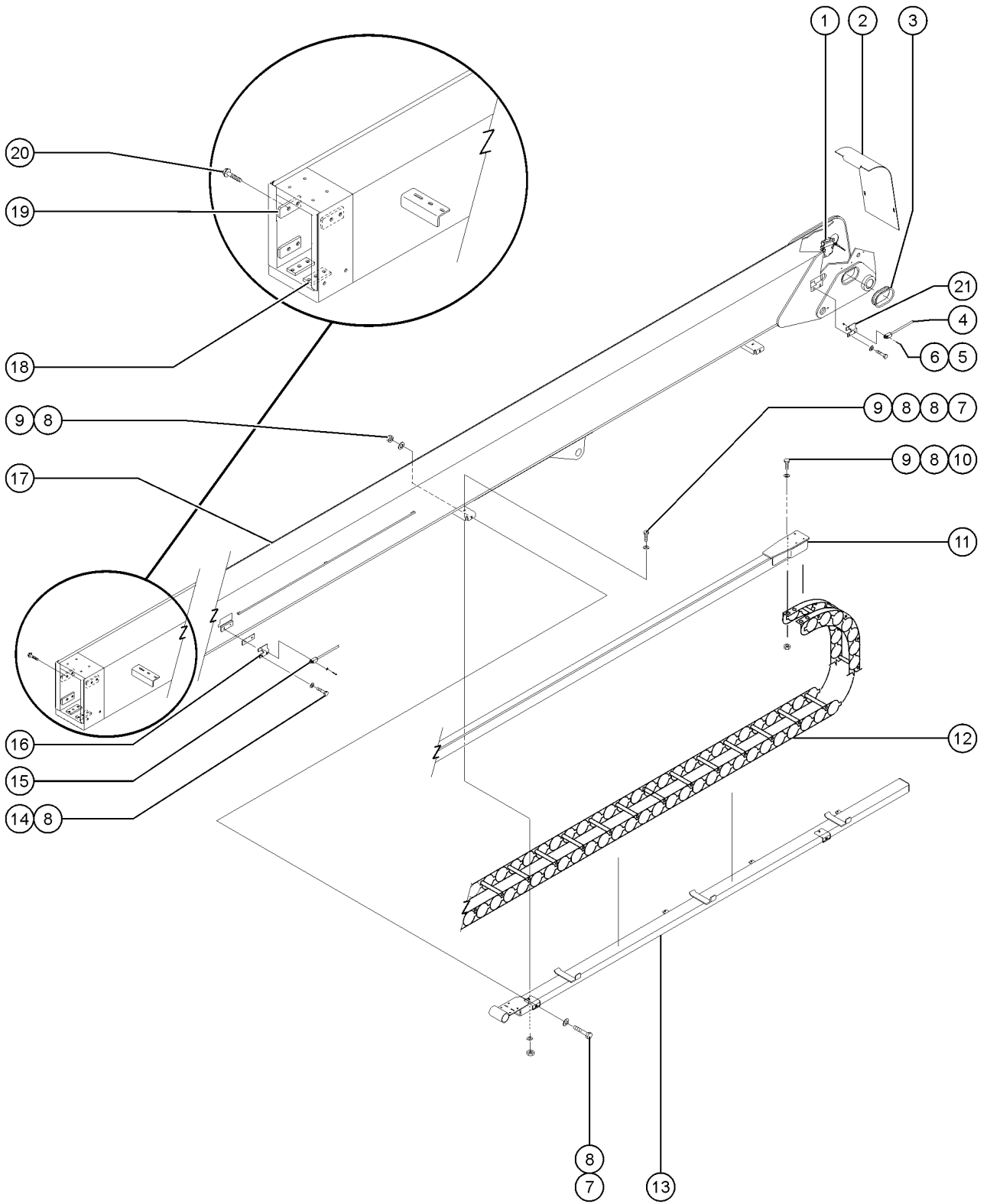
501.1 Primary and Secondary Lift Cylinders and Linkage



501.1 Primary and Secondary Lift Cylinders and Linkage

| Item | Part No. | Description | Qty. | Item | Part No. | Description | Qty. |
|------|------------|--|------|------|----------|---|------|
| 1 | 88078GT | PIN,2.25 X 13.38 LG..... | 1 | 19 | 88077GT | PIN,2.25 X 18.50 LG..... | 1 |
| -- | 102399GT | BEARING,FL,2.25IDX2.50ODX1.33L | | -- | 88065GT | BEARING,2.25IDX2.75ODX2.00L | |
| 2 | 34346GT | SCREW,HHC,3/4-10 X 1.75 | | 20 | 106754GT | LINK LINKAGE ASSEMBLY..... | 1 |
| 3 | 34550GT | WASHER,LOCK,.75 PLTD | | -- | 102399GT | BEARING,FL,2.25IDX2.50ODX1.33L | |
| 4 | 61341GT | ROD END,.75 X 5.00..... | 1 | -- | 88278GT | BEARING,3.00IDX3.25ODX1.25L (primary lift cylinder side) | |
| 5 | 88274GT | PIN,3.00 DIA X 15.0 LG..... | 1 | 21 | 6175GT | SCREW,HHC,3/8-16 X 1 | |
| 6 | 61428GT | CYLINDER,PRIMARY BOOM LIFT*** | 1 | 22 | 6021GT | WASHER,LOCK,.375 | |
| -- | 54065GT | VALVE,COUNTERBALANCE,3500*** | | 23 | 825019GT | ROD END,.375X3.69,ZAG..... | 2 |
| -- | 77515GT | SEAL KIT,PRIM LIFT CYL (61428) | | | | to SN 6549 | |
| -- | 88279GT | BEARING,3.00IDX3.50ODX1.50L | | -- | 825019GT | ROD END,.375X3.69,ZAG from SN 6550 | |
| 7 | 88079GT | PIN,2.25 X 10.63 LG..... | 1 | 24 | 47376GT | PIN,1.25DIA X 2.75LG,1HOLE..... | 2 |
| 8 | 10597GT | SCREW,HHC,1/2-13 X 1.25 GR5 | | 25 | 824164GT | SNAP RING,EXTERNAL,1.25,ZAG..... | 2 |
| 9 | 6033GT | WASHER,LOCK,0.5" | | | | | |
| 10 | 1256267GT | ROD END,.5 X 3.75,ZAG..... | 4 | | | | |
| | | to SN 6549 | | | | | |
| -- | 1256267GT | ROD END,.5 X 3.75,ZAG from SN 6550 | | | | | |
| 11 | 88074GT | PIN,2.25 X 25.63 LG..... | 1 | | | | |
| -- | 18731GT | WASHER,FLAT,2.27 X 3.5 X .06 | | | | | |
| -- | 88065GT | BEARING,2.25IDX2.75ODX2.00L | | | | | |
| 12 | 8177GT | SCREW,HHC,1/2-13 X 1.5 | | | | | |
| 13 | | Ref. SHIM (refer to 305.1) from SN 2849 | | | | | |
| 14 | 88075GT | PIN,2.25 X 23.50 LG..... | 1 | | | | |
| 15 | 122575GT | CYLINDER,RISER LIFT..... | 1 | | | | |
| | | from SN 2675 | | | | | |
| -- | 122576GT | VALVE,CB CWCA-LHN@3800 PSI (extend) cylinder 122575 | | | | | |
| -- | 218697GT | SERV KIT,SEC LIFT REPL..... | 1 | | | | |
| | | to SN 2674; required to use service kit 218697 when replacing cylinder 61426 for first time (includes cylinder 122575), refer to 705.1, 709.1 and 715.1 | | | | | |
| -- | 33428GT | VALVE,COUNTERBALANCE (retract) cylinder 61426 | | | | | |
| -- | 36207GT | VALVE,COUNTERBAL.CWCA-LHN@2000 (extend) cylinder 61426 | | | | | |
| -- | 77014GT | VALVE,COUNTERBALANCE,3800 PSI (retract) cylinder 122575 | | | | | |
| -- | 77513GT | SEAL KIT,SEC LIFT CYL (61426)* use with cylinder 61426 and 122575 | | | | | |
| 16 | 88359GT | HARNES,LS,OP,SEC.,ANGLE..... | 1 | | | | |
| -- | 883644P3GT | SWITCH,LIMIT,W/RLLR ARM,NO/NC* | | | | | |
| 17 | 30186GT | PIN,1.25DIA X 6.67LG,2RING..... | 1 | | | | |
| 18 | 106755GT | LEVER LINKAGE ASSEMBLY..... | 1 | | | | |
| -- | 18722GT | BEARING,2.25IDX2.50ODX1.50L*** | | | | | |
| -- | 88278GT | BEARING,3.00IDX3.25ODX1.25L | | | | | |

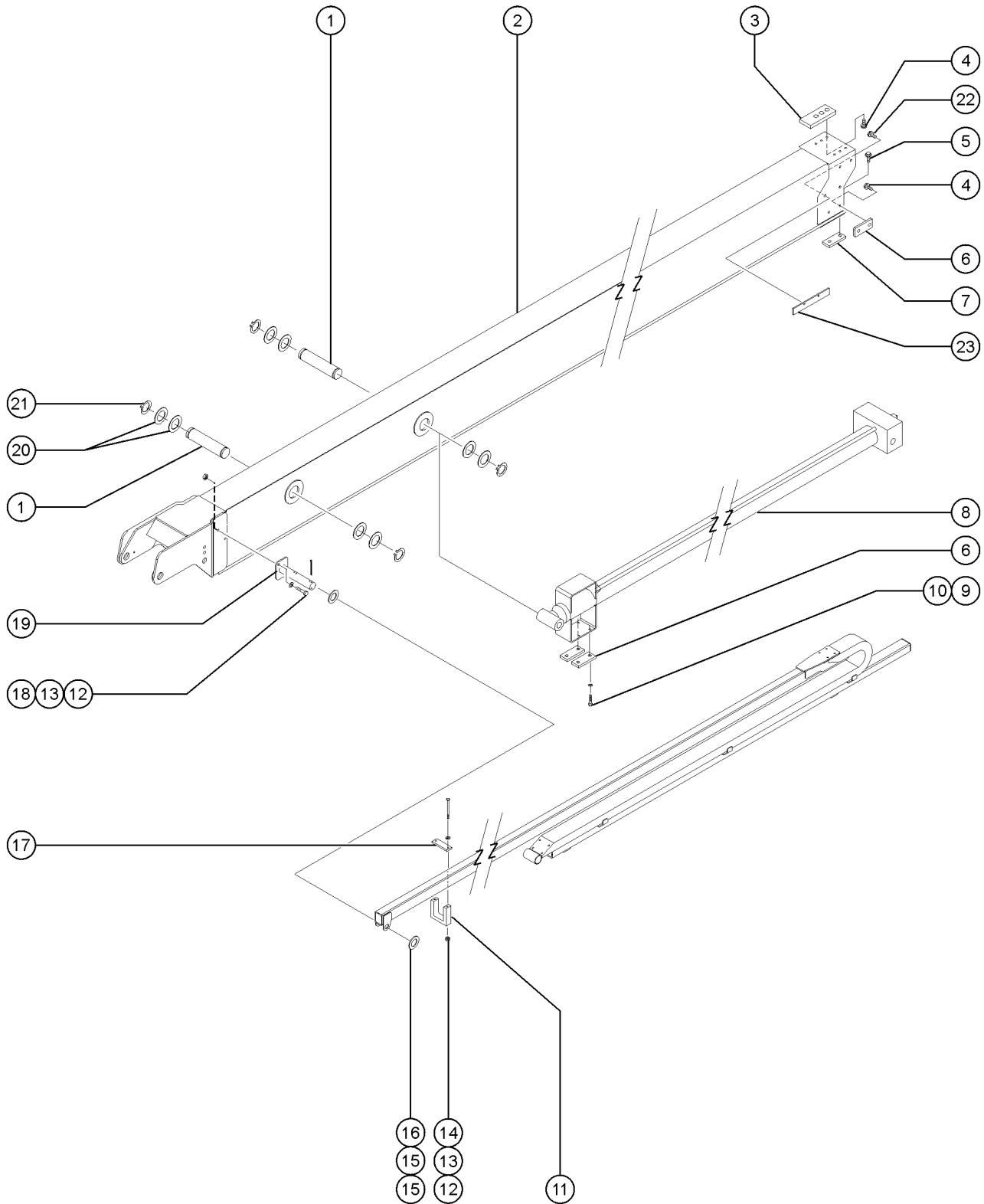
502.1 Primary Boom and Cable Track - View 1



502.1 Primary Boom and Cable Track - View 1

| Item | Part No. | Description | Qty. | Item | Part No. | Description | Qty. |
|------|----------------|--------------------------------|------|------|----------|------------------------------|------|
| 1 | 88149GT | SENSOR,ANGLE,PRIMARY BOOM | | -- | 38620GT | SHIM,WEAR PAD,5 X 1.5,14GA | |
| -- | 21130GT | CLEVIS YOKE-1/4-28,PLTD W/PIN | | 20 | 122200GT | SCREW,FLANGE,HHC,3/8-16X 7/8 | |
| -- | 30785-450GT | THREADED ROD,1/4-28 X 4.5 | | 21 | 122941GT | FORMING,LIMIT SWITCH MOUNT | |
| -- | 88153GT | HARNESS,UPPER LIMIT SWITCH/PBA | | | | | |
| -- | 88788PGT | BRACKET,PBAS MOUNT PAINTED | | | | | |
| -- | 88794GT | NUT,WING,1/4-28 | | | | | |
| 2 | 61563PGT | COVER,PRIMARY BOOM,PAINTED | | | | | |
| -- | 146610GT | COVER,PRI BM ASSY,REAR W/WORD | | | | | |
| 3 | 53386GT | GUARD, HOSE PROTECTOR | | | | | |
| 4 | 88360GT | HARNESS,LS,OP,PRI.,RETRACT | | | | | |
| -- | 110771-44163GT | SWITCH LIMIT W/RLLR NO/NC GOLD | | | | | |
| -- | 43960GT | WIRE CABLE,16/4 CON.TPE JKT | | | | | |
| -- | 97128GT | ROLLER ARM,LIMIT SWITCH*** | | | | | |
| 5 | 49817GT | SCREW,PHILLIPS,PHM,10-32 X1.25 | | | | | |
| 6 | 6178GT | NUT,NYLOCK,10-32 | | | | | |
| 7 | 8255GT | SCREW,HHC,3/8-16 X .75 | | | | | |
| 8 | 6097GT | WASHER,FLAT,USS,3/8",Y | | | | | |
| 9 | 4828GT | NUT,NYLOCK,3/8-16 | | | | | |
| 10 | 8516GT | SCREW, HCC, 3/8-16 X 1.50 | | | | | |
| 11 | 61541GT | WELDMENT,LONG GUIDE TUBE | | | | | |
| 12 | 122299GT | CABLE TRACK,STEEL 38 LINKS | | | | | |
| -- | 106154GT | KIT,PIN & RING*** | | | | | |
| -- | 106357GT | BRACKET,CABLE TRACK,MOVING END | | | | | |
| -- | 122037GT | BOT.CLAMP,ARCTIC HOSE CBLTRK | | | | | |
| -- | 122038GT | TOP CLAMP,ARCTIC HOSE CBLTRK | | | | | |
| -- | 122176GT | OPT.CLAMP,HOSE,CABLETRACK | | | | | |
| -- | 77896GT | ASSY,FOUR LINK CABLE TRACK*** | | | | | |
| -- | 77951GT | MOVING END BRACKET | | | | | |
| -- | 77952GT | FIXED END BRACKET | | | | | |
| 13 | 81752GT | WELDMENT,CABLE TRACK TRAY Z80 | | | | | |
| 14 | 33681GT | SCREW,HHC,3/8-16 X .625 | | | | | |
| 15 | 88362GT | HARNESS,LS,OP,PRI.EXT. | | | | | |
| -- | 43960GT | WIRE CABLE,16/4 CON.TPE JKT | | | | | |
| -- | 88356-44163GT | SWITCH,LIMIT,W/RLLR ARM,NO/NC | | | | | |
| -- | 97128GT | ROLLER ARM,LIMIT SWITCH*** | | | | | |
| 16 | 122941GT | FORMING,LIMIT SWITCH MOUNT | | | | | |
| 16 | 77615GT | SHIM,PRIM.BOOM,LIMIT SWITCH | | | | | |
| 17 | 101539GT | BOOM,PRIMARY ASSY W/WORD,Z80 | | | | | |
| -- | 146063GT | BOOM,PRIMARY ASSY W/SYMB,Z80 | | | | | |
| -- | 88065GT | BEARING,2.25IDX2.75ODX2.00L | | | | | |
| 18 | 50245GT | WEAR PAD,7 X 3 X.75 W/NUTS | | | | | |
| -- | 60304GT | SHIM,WEAR PAD,7 X 3,12GA | | | | | |
| 19 | 34125GT | WEAR PAD,5 X 1.5 X .75 W/NUTS | | | | | |

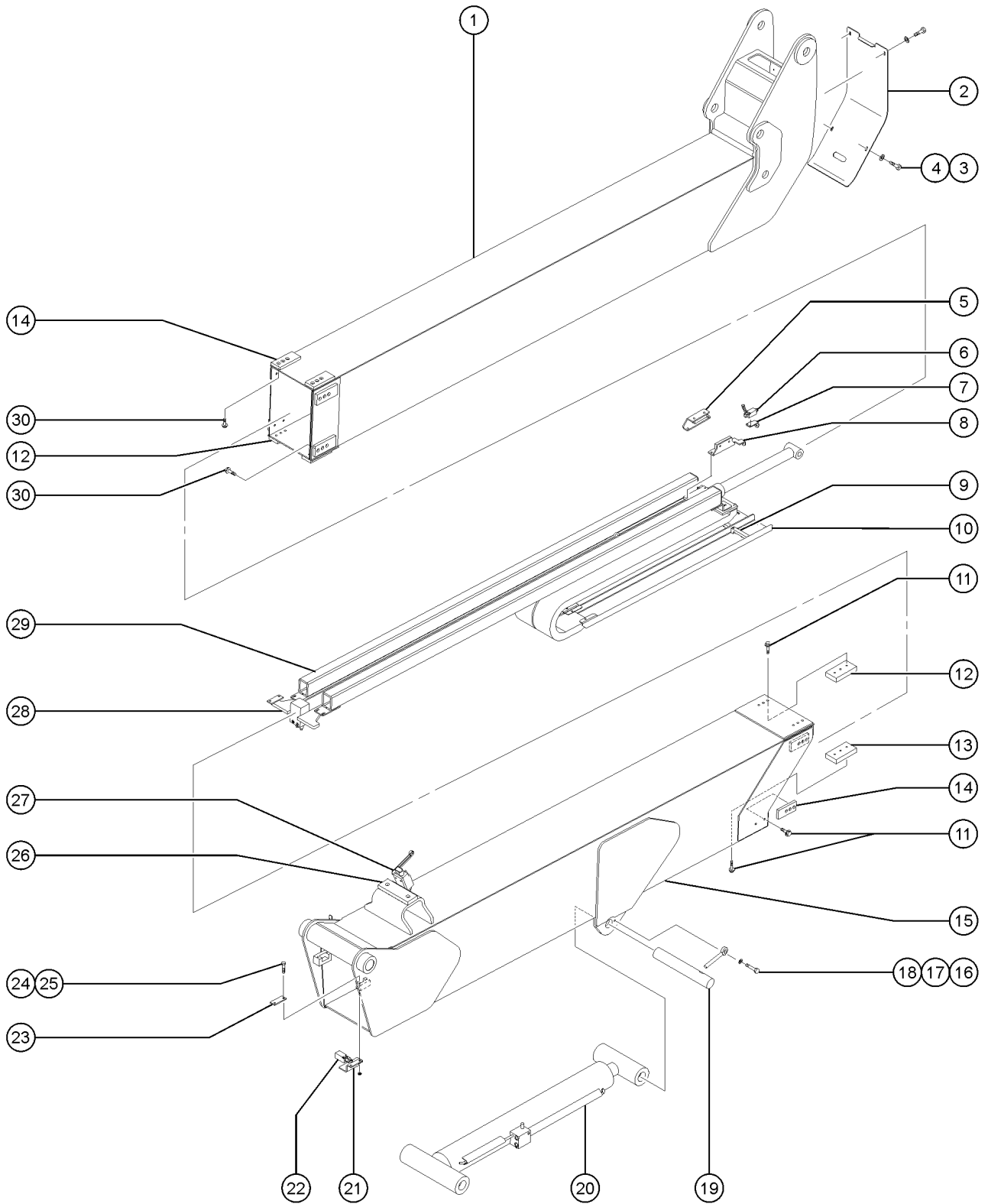
503.1 Primary Boom and Cable Track - View 2



503.1 Primary Boom and Cable Track - View 2

| Item | Part No. | Description | Qty. |
|------|-----------|--|------|
| 1 | 88345GT | PIN,1.25DIA X 8.26LG,2RING..... | 2 |
| 2 | 146121GT | WELDMENT, PRIMARY EXT. BOOM..... | 1 |
| 3 | 50245GT | WEAR PAD,7 X 3 X .75 W/NUTS..... | 2 |
| -- | 38620GT | SHIM,WEAR PAD,5 X 1.5,14GA | |
| 4 | 122200GT | SCREW,FLANGE,HHC,3/8-16X 7/8 | |
| 5 | 122198GT | SCREW,FLANGE,HHC,3/8-16X 5/8 | |
| 6 | 60239GT | WEAR PAD,7 X 3 X .625 W/INSERT..... | 6 |
| 7 | 30138GT | WEAR PAD,5 X 1.5 X .625 W/NUTS..... | 2 |
| 8 | 61429GT | CYLINDER,PRIMARY BOOM EXTEND..... | 1 |
| -- | 102685GT | SEAL KIT,SUN T-2A CP VALVE | |
| -- | 62449GT | SEAL KIT,SUN "CWCA" CB VALVES* | |
| -- | 77516GT | SEAL KIT,PRIM EXT CYL,61429 | |
| -- | 81385GT | VALVE,COUNTERBAL.CWCA-LHN@3000 | |
| -- | 88027GT | VALVE,COUNTERBALANCE @1000*** | |
| 9 | 8255GT | SCREW,HHC,3/8-16 X .75 | |
| 10 | 6021GT | WASHER,LOCK,.375 | |
| 11 | 81341GT | WEAR PAD,CABLE TRACK PULL TUBE..... | 1 |
| -- | 38620GT | SHIM,WEAR PAD,5 X 1.5,14GA | |
| 12 | 4828GT | NUT,NYLOCK,3/8-16 | |
| 13 | 6097GT | WASHER,FLAT,USS,3/8",Y | |
| 14 | 81777GT | SCREW,HHC,3/8-16 X 7 | |
| 15 | 18596GT | WASHER,FLAT,1.56 X 2.5 X .061 | |
| 16 | 42079GT | PIN,COTTER,.156 X 2.5..... | 2 |
| 17 | 81342GT | WEAR PAD,5.5 X 1.75 X .5..... | 1 |
| -- | 38620GT | SHIM,WEAR PAD,5 X 1.5,14GA | |
| 18 | 6019GT | SCREW,HHC,3/8-16 X 1.25 GRD 5 | |
| 19 | 81347GT | WELDMENT,TRACK PULL TUBE PIVOT..... | 1 |
| 20 | 30255GT | WASHER,SHIM,1.27 X 2.13 X .062 | |
| 21 | 824164GT | SNAP RING,EXTERNAL,1.25,ZAG..... | 4 |
| 22 | 1256109GT | SCREW,HHC,3/8-16X.75,8,ZAG | |
| 23 | 88350GT | MOUNT,LIMIT SWITCH ACTIVATION..... | 1 |

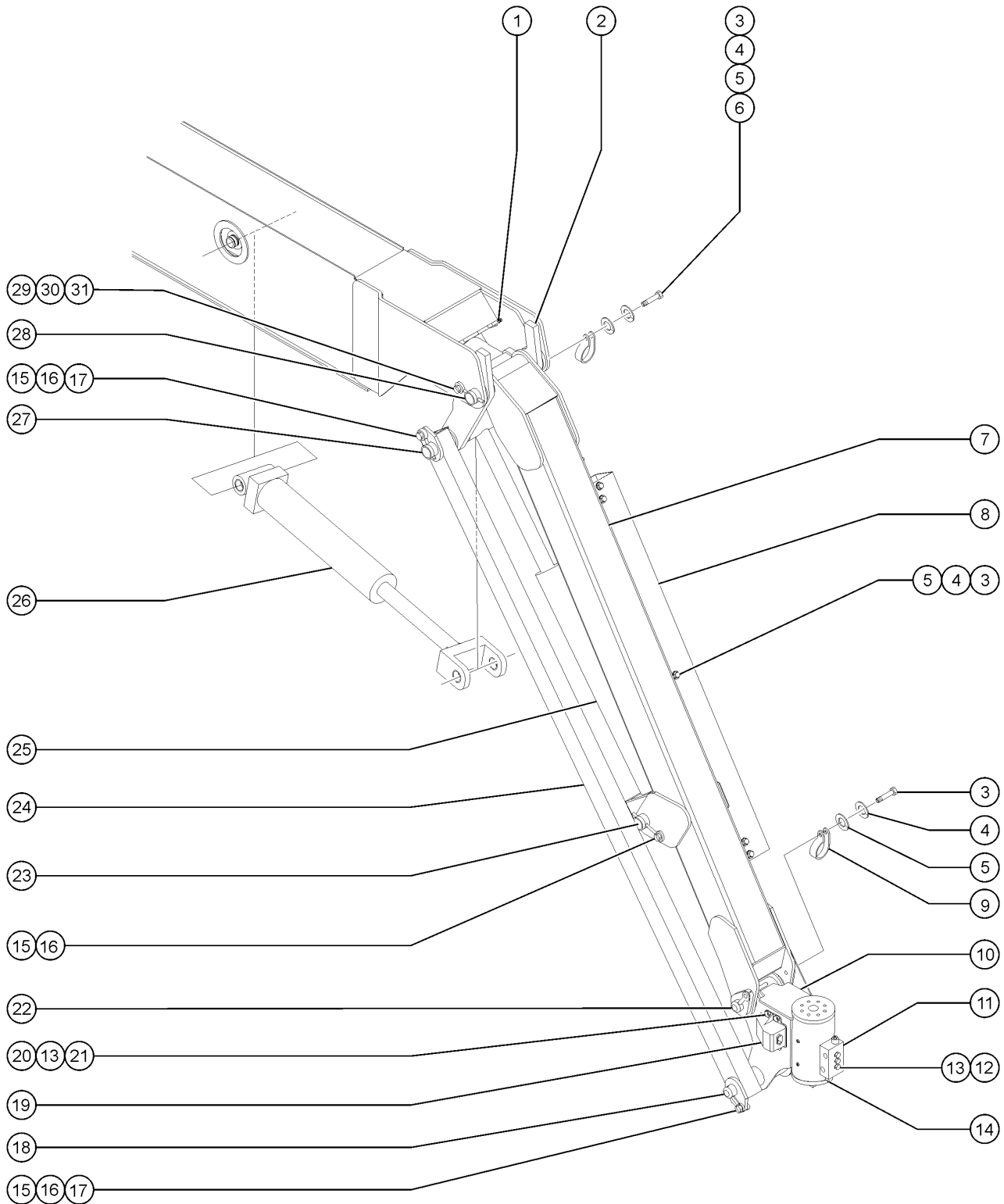
504.1 Secondary Boom



504.1 Secondary Boom

| Item | Part No. | Description | Qty. | Item | Part No. | Description | Qty. |
|------|----------------|---|------|------|----------------|--|------|
| 1 | 101537GT | SECONDARY EXT BOOM W/DECALS...1 <i>word</i> | | 15B | 227504GT | ASSY,Z80 LOWR PRIM BOOM W/SYM | |
| -- | 101538GT | SECONDARY EXT BOOM W/DECALS <i>symbol</i> | | 16 | 8177GT | SCREW,HHC,1/2-13 X 1.5 | |
| 2 | 88016PGT | COVER,RISER EXT.CYL. PAINTED.....1 | | 17 | 6033GT | WASHER,LOCK,0.5" | |
| 3 | 6175GT | SCREW,HHC,3/8-16 X 1 | | 18 | 1256267GT | ROD END,.5 X 3.75,ZAG.....1 | |
| 4 | 6097GT | WASHER,FLAT,USS,3/8",Y | | 19 | 88077GT | PIN,2.25 X 18.50 LG.....1 | |
| 5 | 81931PGT | FORMING,RISER EXT.CYL.PAINTED....1 | | 20 | | Ref. Secondary Boom Lift Cylinder <i>(refer to 501.1)</i> | |
| -- | 30138GT | WEAR PAD,5 X 1.5 X .625 W/NUTS | | 21 | 88096PGT | FORMING,RETRACT LIMIT SWITCH....2 | |
| 6A | 88367GT | HARNNESS,LS,SAFETY,SEC.RETRACT..1 <i>to SN 2510</i> | | 22 | 88366GT | HARNNESS,LS,OP,SEC.RETRACT.....2 | |
| -- | 110771-214G3GT | SWITCH,LIMIT,W/RLLR ARM,NC/NC <i>to SN 2510</i> | | -- | 110771-61103GT | SWITCH,LIMIT W/RLLR NO/NO GOLD | |
| -- | 119120GT | CONN,SQZ,PG 11,,34-.47,W/O-RNG <i>to SN 2510</i> | | -- | 150129GT | CONTACTOR,LIMIT SWITCH | |
| -- | 97128GT | ROLLER ARM,LIMIT SWITCH*** <i>use with 88356-214G3; to SN 2510</i> | | -- | 43960GT | WIRE CABLE,16/4 CON.TPE JKT.....53-inches | |
| -- | 97231GT | CONTACTOR,LIMIT SWITCH** <i>use with 88356-214G3, to SN 2510</i> | | -- | 97128GT | ROLLER ARM,LIMIT SWITCH*** | |
| 6B | 146429GT | HARN LS SAFETY SEC RET LSS1RS <i>from SN 2511</i> | | 23 | 88021PGT | PLATE,RISER EXT.CYL.RETAINER.....2 | |
| -- | 110771-714G3GT | LIMIT SWITCH ROLLER NC/NC/NO <i>from SN 2511</i> | | 24 | 30469GT | SCREW,FHM,10-32 X 1.5 | |
| -- | 146325GT | CONN.SQZ,PG 11,,34-.47,W/ORING <i>from SN 2511</i> | | 25 | 6178GT | NUT,NYLOCK,10-32 | |
| 7 | 88343PGT | FORMING,SWITCH BRACKET PAINTED.....1 | | 26 | 88032GT | REST PAD,PRIMARY BOOM.....1 | |
| 8 | 81932PGT | FORMING,RISER EXT.CYL.PAINTED....1 | | 27 | 88361GT | HARNNESS,LS,OP,PRI.,ANGLE.....1 <i>(primary boom angle)</i> | |
| -- | 30138GT | WEAR PAD,5 X 1.5 X .625 W/NUTS | | -- | 43960GT | WIRE CABLE,16/4 CON.TPE JKT.....118-inches | |
| 9 | 88107GT | CLAMP RISER CABLETRACK-LEFT.....1 <i>(shown)</i> | | -- | 88356-444P3GT | SWITCH,LIMIT,W/RLLR ARM,NO/NC* | |
| -- | 102309GT | CLAMP,CABLE TRACK RISER,R.S. | | 28 | 146011GT | CYLINDER,SECONDARY EXTEND.....1 | |
| 10 | 81934GT | FORMING,RISER CABLE TRACK PULL.....1 | | -- | 36648GT | VALVE,COUNTERBALANCE 2500 PSI* | |
| -- | 81923GT | CABLETRACK,30 LINK,GRTRCU2-110 | | -- | 77514GT | SEAL KIT,SEC EXT CYL(61427)*** <i>use for previous cylinder 61427 (no longer available)</i> | |
| 11 | 122201GT | SCREW,FLANGE,HHC,3/8-16X1.00 | | 29 | 81928GT | WELDMENT,RISER CABLE TUBE.....2 | |
| 12 | 88648GT | WEAR PAD,7X3X.625 W/NUTS.....4 | | 30 | 122200GT | SCREW,FLANGE,HHC,3/8-16X 7/8 | |
| -- | 60304GT | SHIM,WEAR PAD,7 X 3,12GA | | | | | |
| -- | 60840GT | SHIM,WEAR PAD,7 X 3,16GA | | | | | |
| 13 | 88022GT | WEAR PAD,7 X 3 X 1 W/NUTS.....2 <i>to SN 4950</i> | | | | | |
| -- | 50245GT | WEAR PAD,7 X 3 X .75 W/NUTS <i>from SN 4951</i> | | | | | |
| 14 | 50245GT | WEAR PAD,7 X 3 X .75 W/NUTS.....6 | | | | | |
| -- | 60304GT | SHIM,WEAR PAD,7 X 3,12GA | | | | | |
| -- | 60840GT | SHIM,WEAR PAD,7 X 3,16GA | | | | | |
| 15A | 227503GT | ASSY,Z80 LOWR PRIM BOOM W/WORD.....1 | | | | | |

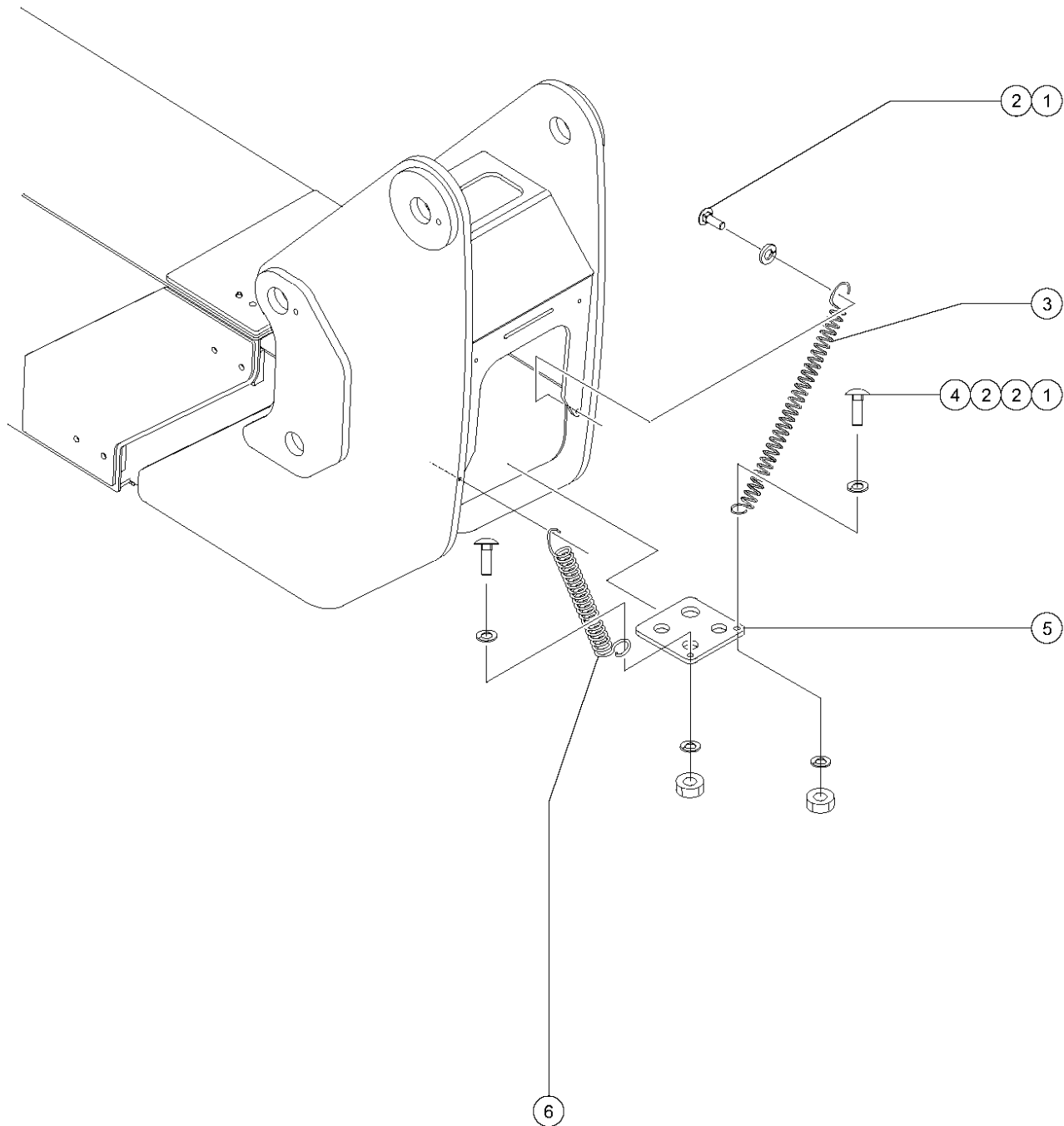
505.1 Jib Boom and Platform Rotator



505.1 Jib Boom and Platform Rotator

| Item | Part No. | Description | Qty. | Item | Part No. | Description | Qty. |
|------|--------------------------|--|------|------|-----------|---|------|
| -- | 75289GT | CLAMP,HOSE,1/2" DOUBLE.....1 <i>Hose clamp on Job Boom, before the rotator (not shown)</i> | 1 | -- | 75395GT | BEARING KIT,PLAT ROTATOR,SUPER <i>(use with rotator item 60505); to SN 228</i> | |
| -- | 824078GT | SCREW,HHF,1/4-20X.75,8,ZAG <i>Bolts clamp 75289GT to Jib Boom (not shown)</i> | | -- | 88516GT | SCREW,BLEEDER,M5X0.8 <i>(use with rotator item 94397)</i> | |
| 1 | 88363GT | HARNESS,LS,OP,JIB.....1 | 1 | 11 | | Ref. Platform Rotate Manifold (refer to 708.1) | |
| -- | 43960GT | WIRE CABLE,16/4 CON.TPE JKT.....121-inches | | 12 | 6145GT | SCREW,HHC,1/4-20 X 1.5 | |
| -- | 88356 42133GT | SWITCH,LIMIT,W/ROLLER,NO/NC | | 13 | 6356GT | WASHER,LOCK,.25 | |
| -- | 97128GT | ROLLER ARM,LIMIT SWITCH*** | | 14 | | Ref. Counterbalance Valve (refer to 708.1) | |
| 2 | 61774-SGT | WELDMENT,BELLCRANK ASSY,SRV....1 | 1 | 15 | 8516GT | SCREW, HCC, 3/8-16 X 1.50 | |
| -- | 88280GT | BEARING,1.5IDX1.75ODX0.75L.....4 | 4 | 16 | 825019GT | ROD END,.375X3.69,ZAG.....4 | 4 |
| 3 | 6175GT | SCREW,HHC,3/8-16 X 1 | | -- | 825019GT | ROD END,.375X3.69,ZAG <i>from SN 6550</i> | |
| 4 | 6021GT | WASHER,LOCK,.375 | | 17 | 4828GT | NUT,NYLOCK,3/8-16 | |
| 5 | 5397GT | WASHER,FLAT,USS,5/16",Y | | 18 | 61776GT | PIN,1.25DIA X 15.00LG,2HOLE.....2 | 2 |
| 6 | 101626GT | CLAMP,2.5,#40 X 1/4,RUB CUSH.....2 | 2 | 19 | 50813GT | SENSOR,TILT,P CON (PLASTIC)****.....1 | 1 |
| 7 | 111331GT | JIB BOOM ASSY.W/BEARINGS <i>use after SN 2510 or if retrofit kit part 146278 was installed</i> | | 20 | 6090GT | SCREW,HHC,1/4-20 X .75 | |
| 7 | 146278GT | RETROFIT KIT, JIB BOOM, 6FT.....1 <i>(retrofit kit) must install if replacing jib before SN 2511, includes a revised jib part 111331 and a new hose cover part 146028</i> | 1 | 21 | 6638GT | WASHER,FLAT,USS,1/4"Y | |
| -- | 146264GT | BEARING,1.5IDX1.75ODX2.00L <i>use after SN 2510 or if retrofit kit part 146278 was installed</i> | | 22 | 88283GT | PIN,1.25 DIA X 7.88" LG.....1 | 1 |
| -- | 88280GT | BEARING,1.5IDX1.75ODX0.75L <i>to SN 2510</i> | | 23 | T107884GT | PIN,1.25DIA X 7.00LG,1HOLE.....2 | 2 |
| 8 | 88290GT | FORMING,HOSE COVER,JIB.....1 <i>to SN 2510</i> | 1 | 24 | 61771GT | COMPRESSION LINK,MACHINED.....2 | 2 |
| -- | 146028GT | FORMING, HOSE COVER <i>use after SN 2510 or if retrofit kit part 146278 was installed</i> | | 25 | 61430GT | CYLINDER,JIB BOOM.....1 | 1 |
| 9 | 228881GT | CLAMP,3.0,#48 X 3/8,RUB CUSH.....1 <i>welder cable option</i> | 1 | -- | 18396GT | BEARING,1.5IDX1.75ODX1.0L | |
| 10 | 94397GT | ROTATOR,PLAT JIB,160 DEG***.....1 <i>replaces rotator item 60505</i> | 1 | -- | 33428GT | VALVE,COUNTERBALANCE | |
| -- | 106421GT | SEAL KIT,ARCTIC,ROTATOR 8.2K** <i>(use with rotator item 60505); to SN 228</i> | | -- | 43018GT | SEAL KIT (39345) <i>used for valve 33428</i> | |
| -- | 122944GT | SEAL KIT,8K ROTATOR*** <i>(use with rotator item 94397)</i> | | -- | 47377GT | BEARING,1.25 ID X 1.5 OD X .75 | |
| -- | 13852GT | VALVE ASSY,BLEED*** <i>(use with rotator item 60505); to SN 228</i> | | -- | 77517GT | SEAL KIT,JIB CYLINDER (61430) | |
| -- | 30222GT | BEARING,FL,1.25IDX1.41ODX1.50L <i>from SN 2492</i> | | 26 | 61431GT | CYLINDER,PLATFORM LEVELING.....1 | 1 |
| -- | 30370GT | BEARING,1.25IDX1.5ODX1.00L <i>(use with rotator item 94397): to SN 2491</i> | | -- | 47377GT | BEARING,1.25 ID X 1.5 OD X .75 | |
| -- | 62417GT | SEAL KIT,PLAT ROTATE*** <i>(use with rotator item 60505); to SN 228</i> | | -- | 61602GT | VALVE,COUNTERBAL.CBBB-LHN@3500 | |
| | | | | -- | 75061GT | VALVE,COUNTERBAL.CBBB-LHN@2000 | |
| | | | | -- | 77518GT | SEAL KIT PLAT.LEVEL CYL, 61431 | |
| | | | | -- | 88280GT | BEARING,1.5IDX1.75ODX0.75L | |
| | | | | 27 | 88273GT | PIN,1.50DIA X 15.00LG,2HOLE.....1 | 1 |
| | | | | 28 | 88906GT | PIN,1.5 DIA X 11 LG.....1 | 1 |
| | | | | 29 | 73928GT | SCREW,HHC,1-8 X 11,GRD 5*** | |
| | | | | 30 | 6033GT | WASHER,LOCK,0.5" | |
| | | | | 31 | 1256267GT | ROD END,.5 X 3.75,ZAG.....1 <i>to SN 6549</i> | 1 |
| | | | | -- | 1256267GT | ROD END,.5 X 3.75,ZAG <i>from SN 6550</i> | |

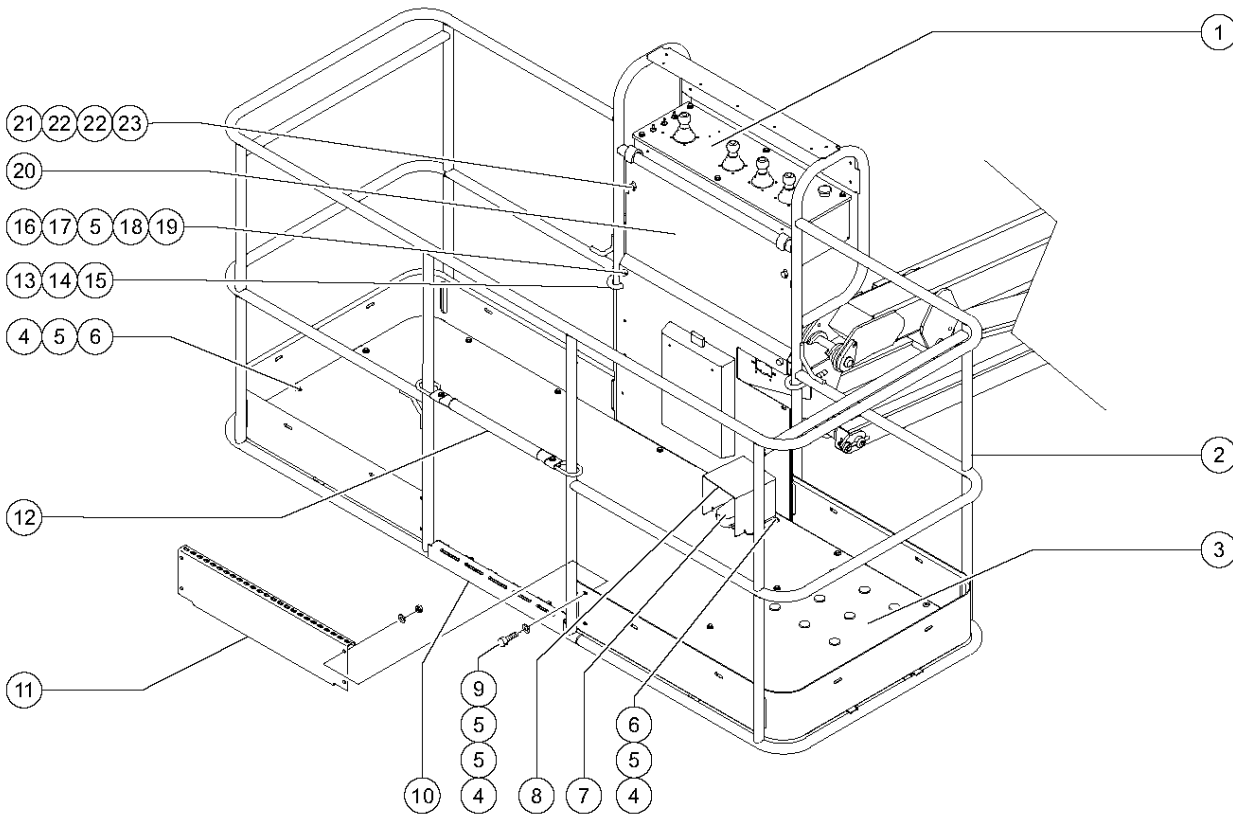
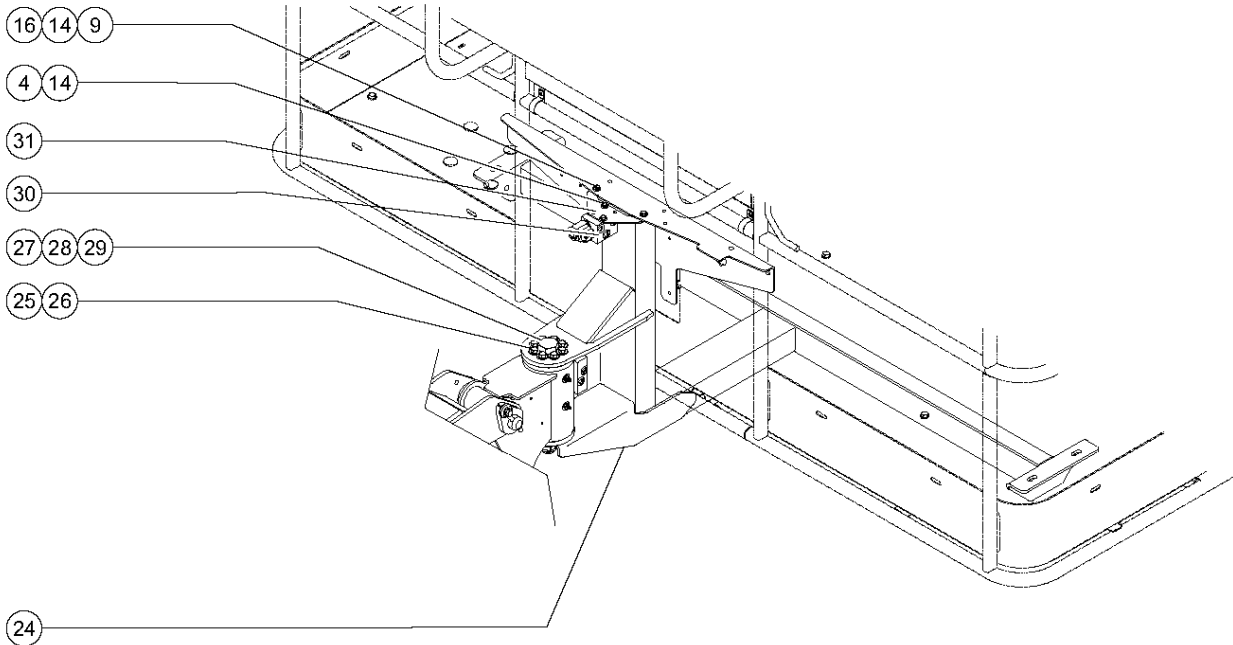
506.1 Riser Hose Bulkhead Mount



506.1 Riser Hose Bulkhead Mount

| Item | Part No. | Description | Qty. |
|------|----------|----------------------------------|------|
| -- | 111545GT | KIT,RISER HOSE BLKHD,SPRINGS | |
| 1 | 6878GT | BOLT,CARRIAGE,1/4-20 X .75,G2 | |
| 2 | 6356GT | WASHER,LOCK,.25 | |
| 3 | 88508GT | SPRING,EXTENSION .44 X 6.0.....1 | |
| 4 | 6091GT | NUT,NYLOCK,1/4-20 | |
| 5 | 88119GT | PLATE,RISER HOSE BULKHEAD.....1 | |
| 6 | 88507GT | SPRING,EXTENSION .38 X 3.0.....1 | |

601.1 Platform Installation (to SN 6075)



601.1 Platform Installation (to SN 6075)

| Item | Part No. | Description | Qty. | Item | Part No. | Description | Qty. |
|------|----------|--|------|------|-----------|---|------|
| -- | 101747GT | PLAT.ASSY,4 FT,SERV,Z80 ANSI <i>Platform Assemblies with Word Decals - USA and Canadian models; to SN 800</i> | | -- | 101391GT | PLAT ASSY, COMP, 6', CE/UK/UK <i>Assemblies with Symbol Decals - European models</i> | |
| -- | 101749GT | PLAT.ASSY,5 FT,SERV,Z80 ANSI <i>Platform Assemblies with Word Decals - USA and Canadian models; to SN 800</i> | | -- | 101394GT | PLAT ASSY, COMP, 8', CE/UK/UK <i>Assemblies with Symbol Decals - European models</i> | |
| -- | 101751GT | PLAT.ASSY,6 FT,SERV,Z80 ANSI <i>Platform Assemblies with Word Decals - USA and Canadian models; to SN 800</i> | | -- | 101387GT | PLAT ASSY,COMP,4',ASIA/SO. AM. <i>Assemblies with Symbol Decals - Asia and South American models</i> | |
| -- | 101753GT | PLAT.ASSY,8 FT,SERV,Z80 ANSI <i>Platform Assemblies with Word Decals - USA and Canadian models; to SN 800</i> | | -- | 101390GT | PLAT ASSY,COMP,5',ASIA/SO. AM. <i>Assemblies with Symbol Decals - Asia and South American models</i> | |
| -- | 101748GT | PLAT ASSY, 4', AUSTRALIA Z80 <i>Platform Assemblies with Word Decals - Australian models; to SN 800</i> | | -- | 101393GT | PLAT ASSY,COMP,6',ASIA/SO. AM. <i>Assemblies with Symbol Decals - Asia and South American models</i> | |
| -- | 101750GT | PLAT ASSY, 5', AUSTRALIA Z80 <i>Platform Assemblies with Word Decals - Australian models; to SN 800</i> | | -- | 101396GT | PLAT ASSY,COMP,8',ASIA/SO. AM. <i>Assemblies with Symbol Decals - Asia and South American models</i> | |
| -- | 101752GT | PLAT ASSY, 6', AUSTRALIA Z80 <i>Platform Assemblies with Word Decals - Australian models; to SN 800</i> | | 1 | | Ref. Platform Controls (refer to 602.1, 603.1, 604.1 and 605.1) | |
| -- | 101754GT | PLAT ASSY,8', AUSTRALIA Z80 <i>Platform Assemblies with Word Decals - Australian models; to SN 800</i> | | 2 | 73900GT | WELDMNT,6 FT PLATFORM <i>USA and Canadian models; to SN 800; no decals</i> | |
| -- | 111218GT | PLAT.ASSY,4 FT,SERV,Z80 ANSI <i>Platform Assemblies with Word Decals - USA and Canadian models; from SN 801</i> | | 2 | 73976GT | PLATFORM RAIL ASSY, 8FT, ANSI <i>USA and Canadian models; to SN 800</i> | |
| -- | 111219GT | PLAT.ASSY,5 FT,SERV,Z80 ANSI <i>Platform Assemblies with Word Decals - USA and Canadian models; from SN 801</i> | | 2 | 77840GT | WELDMENT W/DECALS,5FT,500LB AN <i>USA and Canadian models; to SN 800</i> | |
| -- | 111220GT | PLAT.ASSY,6 FT,SERV,Z80 ANSI <i>Platform Assemblies with Word Decals - USA and Canadian models; from SN 801</i> | | 2A | 111250GT | PLAT RAILW/DECALS,4FT,500LB AN.....1 <i>USA and Canadian models; from SN 801</i> | |
| -- | 111221GT | PLAT.ASSY,8 FT,SERV,Z80 ANSI <i>Platform Assemblies with Word Decals - USA and Canadian models; from SN 801</i> | | -- | 111251GT | PLAT RAILW/DECALS,5FT,500LB AN <i>USA and Canadian models; from SN 801</i> | |
| -- | 111222GT | PLAT ASSY, 4', AUSTRALIA Z80 <i>Platform Assemblies with Word Decals - Australian models; from SN 801</i> | | -- | 111252GT | PLAT RAILW/DECALS 6FT 500LB AN <i>USA and Canadian models; from SN 801</i> | |
| -- | 111223GT | PLAT ASSY, 5', AUSTRALIA Z80 <i>Platform Assemblies with Word Decals - Australian models; from SN 801</i> | | -- | 111253GT | PLAT RAILW/DECALS 8FT 500 ANSI <i>USA and Canadian models; from SN 801</i> | |
| -- | 111224GT | PLAT ASSY, 6', AUSTRALIA Z80 <i>Platform Assemblies with Word Decals - Australian models; from SN 801</i> | | 2B | 60042-SGT | PLATFORM WELDMENT,4 FT.....1 <i>Australian models</i> | |
| -- | 111225GT | PLAT ASSY,8', AUSTRALIA Z80 <i>Platform Assemblies with Word Decals - Australian models; from SN 801</i> | | -- | 101377GT | PLAT ASSEMBLY,5FT,AUSTRALIA*** <i>Australian models</i> | |
| -- | 101385GT | PLAT ASSY, COMP, 4', CE/UK/UK <i>Assemblies with Symbol Decals - European models</i> | | -- | 101383GT | PLAT RAIL ASSY,8FT,AUSTRALIA** <i>Australian models</i> | |
| -- | 101388GT | PLAT ASSY, COMP, 5', CE/UK/UK <i>Assemblies with Symbol Decals - European models</i> | | -- | 73900GT | WELDMNT,6 FT PLATFORM <i>Australian models; no decals</i> | |
| | | | | 2C | 101373GT | PLATFORM ASSEMBLY,4FT,CE/UK.....1 <i>European models</i> | |
| | | | | -- | 101376GT | PLATFORM ASSEMBLY,5FT,CE/UK <i>European models</i> | |
| | | | | -- | 101379GT | PLATFORM RAIL ASSY,6FT,CE/UK <i>European models</i> | |
| | | | | -- | 101382GT | PLATFORM RAIL ASSY,8FT,CE/UK <i>European models</i> | |
| | | | | 2D | 101375GT | PLAT ASSEMBLY,4FT,ASIA/S AM.....1 <i>Asia and South American models</i> | |

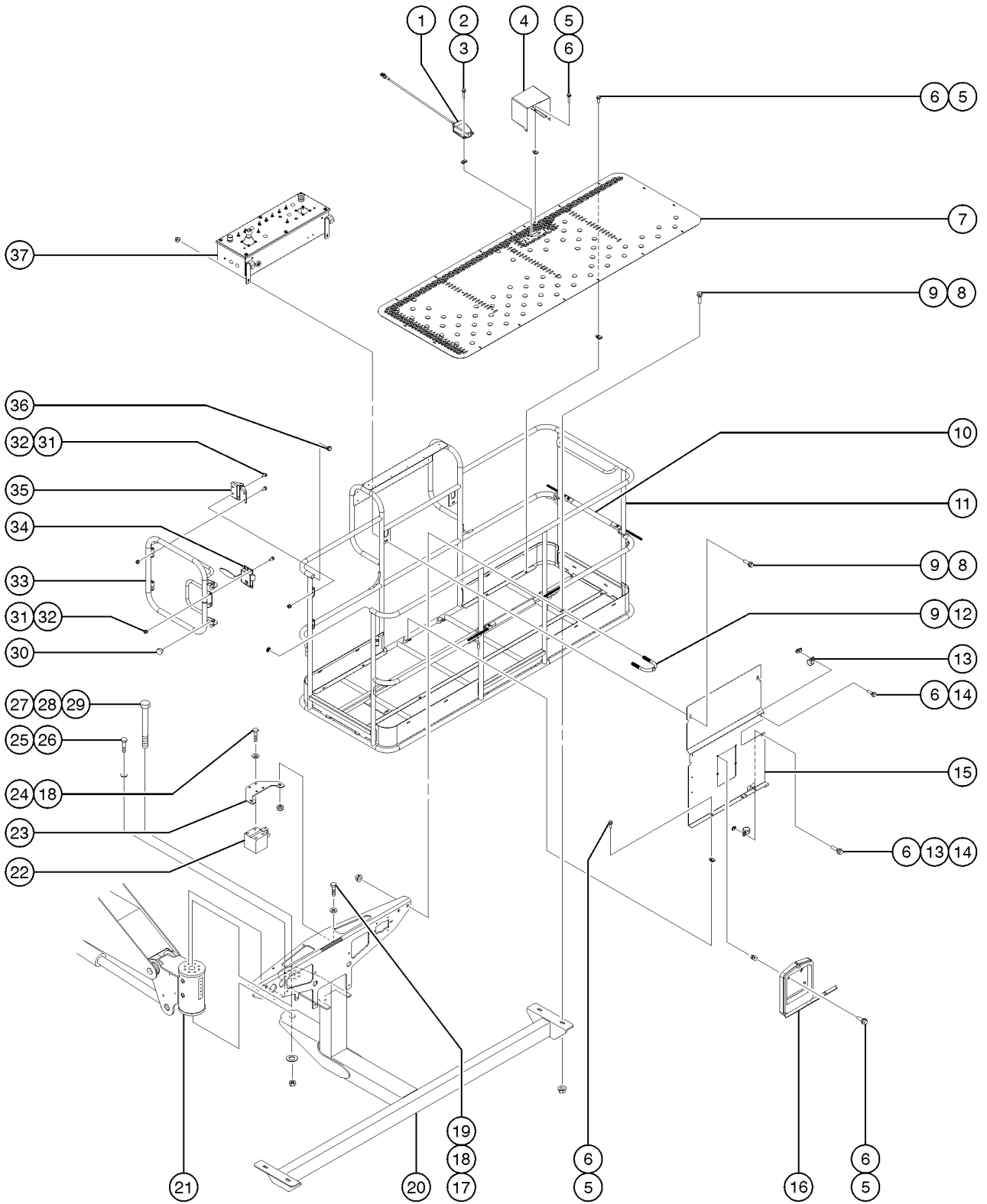
601.1 Platform Installation (to SN 6075)
(continued)

| Item | Part No. | Description | Qty. | Item | Part No. | Description | Qty. |
|------|-----------|---|------|------|-----------|--|------|
| -- | 101378GT | PLAT ASSEMBLY,5FT,ASIA/S AM <i>Asia and South American models</i> | | 15 | 4828GT | NUT,NYLOCK,3/8-16 | |
| -- | 101381GT | PLAT ASSEMBLY,6FT,ASIA/S AM <i>Asia and South American models</i> | | 16 | 6888GT | SCREW,HHC,1/4-20 X 1 | |
| -- | 101384GT | PLAT ASSEMBLY,8FT,ASIA/S AM <i>Asia and South American models</i> | | 17 | 6356GT | WASHER,LOCK,.25 | |
| 3 | 60160PGT | FLOORING, 4 FT PLATFORM,PAINTED.....1 | | 18 | 56424GT | CLAMP,1.25X.5 RUBBER-CUSHION | |
| -- | 54247-SGT | PLAT. FLOOR, 5FT, PAINTED | | 19 | 56912GT | SPRING CLIP,1/4-20,.025-.15X.54,ZAG | |
| -- | 73477PGT | FLOORING, 6'FT PLATFORM | | 20A | 77844GT | DECAL PLATE W/DECALS,S80/85 2K....1 <i>to SN 257</i> | |
| -- | 73478PGT | FLOORING,8 FT PLATFORM** | | 20B | 102537GT | DECAL PLATE W/WRD DECAL S80Z80 <i>from SN 257 to SN 800</i> | |
| 4 | 6090GT | SCREW,HHC,1/4-20 X .75 | | 20C | 111276GT | DECAL PLATE ASSY W/WORD DECALS <i>from SN 801</i> | |
| 5 | 6638GT | WASHER,FLAT,USS,1/4"Y | | 20D | 102538GT | DECAL PLATE W/SYM DECAL S80Z80 <i>from SN 258</i> | |
| 6 | 56912GT | SPRING CLIP,1/4-20,.025-.15X.54,ZAG | | 20E | 44743GT | MANUAL BOX W/DECALS***.....1 <i>USA/Canada/Australia</i> | |
| 7 | 228467GT | KIT, FOOTSWITCH, Z80.....1 <i>Pervious foot switch is no longer available. Order kit 228467 for first time replacement (kit includes foot switch 227618); to SN 3141</i> | | 20F | 24514GT | BOX,INSTRUCTION STORAGE <i>Europe/Asia/South America (decal required; refer to Section 100)</i> | |
| -- | 227618GT | ASSEMBLY,FOOT SWITCH <i>from SN 3142</i> | | 21 | 7713GT | NUT, LP NYLOCK, 3/8-16 | |
| -- | 33576GT | CONN,SQZ,BLK,1/2NPT,.38-.50,SM | | 22 | 5397GT | WASHER,FLAT,USS,5/16",Y | |
| -- | 73575GT | SPRING CLIP,10-24,.025-.125X.468,ZAG | | 23 | 6019GT | SCREW,HHC,3/8-16 X 1.25 GRD 5 | |
| -- | 73587GT | SCREW,PHIL,10-24 X .75 | | -- | | Ref. WELDMENT,PLATFORM SUPPORT,CE <i>CE models (refer to 809.1)</i> | |
| 8 | 73931GT | GUARD,FOOTSWITCH,W/DECAL ALUM.....1 <i>USA/Canada/Australia, to SN 2522</i> | | 24A | 94390-SGT | OPTION,PLAT SUPPORT,STD,LRG BM.....1 <i>ANSI models</i> | |
| -- | 147221GT | GUARD,FOOTSWITCH,W/DECAL ALUM <i>USA/Canada/Australia; from SN 2523</i> | | 24B | 94326-SGT | WELDMENT,4/5FT PLATFORM SUPPOR | |
| -- | 63766GT | COVER,FOOT SWITCH <i>Europe/Asia/South America, to SN 2522</i> | | 25 | 77692GT | SCREW,HHC,3/8-16 X 1 GRD 8.....8 <i>to SN 1258</i> | |
| -- | 147121GT | COVER, FOOT SWITCH, LARGE <i>Europe/Asia/South America; from SN 2523</i> | | -- | 49857GT | SCREW,HHC,3/8-16 X .88,GRD 8 <i>from SN 1259 to 5629</i> | |
| 9 | 6091GT | NUT,NYLOCK,1/4-20 | | -- | 826791GT | SCREW,HHC,3/8-16X.875,8,ZAG <i>from SN 5630</i> | |
| 10 | 73610PGT | STEP PLATFORM ENTRY PAINTED***.....1 | | 26 | 57201GT | WASHER,FLAT,313, HARDENED.....8 <i>to SN 5629</i> | |
| 11 | 94745PGT | TOEBOARD,ENTRY EUROPEAN PNTD**.....1 | | -- | 826793GT | WASHER,FLAT,3/8,SAE,HRD,ZAG <i>from SN 5630</i> | |
| 12 | 102992GT | SLIDING MIDRAIL KIT,PTD.....1 | | 27 | 73928GT | SCREW,HHC,1-8 X 11,GRD 5*** <i>to SN 5629</i> | |
| -- | 12443GT | MIDRAIL GUIDE (HOOK) | | -- | 826792GT | SCREW,HHC,1-8X11,5,ZAG <i>from SN 5630</i> | |
| -- | 139451GT | TUBE,SLIDING MIDRAIL,PAINTED | | 28 | 122079GT | WASHER,FLAT,1.000,HARDENED.....1 <i>to SN 5629</i> | |
| -- | 20973GT | WIRE LOOM,3/8 POLY SLIT | | -- | 824116GT | WASHER, FLAT, F436, 1.0, ZAG <i>from SN 5630</i> | |
| -- | 21121GT | CABLE TIE,4" BLK,HEAT RESISTNT | | 29 | 29764GT | NUT,NYLOCK,1-8 <i>to SN 5629</i> | |
| -- | 6091GT | NUT,NYLOCK,1/4-20 | | -- | 826794GT | NUT,TL,1-8,C,ZAG <i>from SN 5630</i> | |
| -- | 6638GT | WASHER,FLAT,USS,1/4"Y | | | | | |
| -- | 6888GT | SCREW,HHC,1/4-20 X 1 | | | | | |
| -- | 97815GT | DECAL,LABEL,LOWER MIDRAIL | | | | | |
| 13 | 122755GT | UBOLT,FLATTENED,1.5DIAX3/8 UNC....2 | | | | | |
| 14 | 5397GT | WASHER,FLAT,USS,5/16",Y | | | | | |

601.1 Platform Installation (to SN 6075)
(continued)

| Item | Part No. | Description | Qty. |
|------|----------|--|------|
| 30 | | Ref. Platform Rotate Manifold (refer to 708.1) | |
| 31 | 77968PGT | PLATE,JIB,ROTATE MANIFOLD..... | 1 |

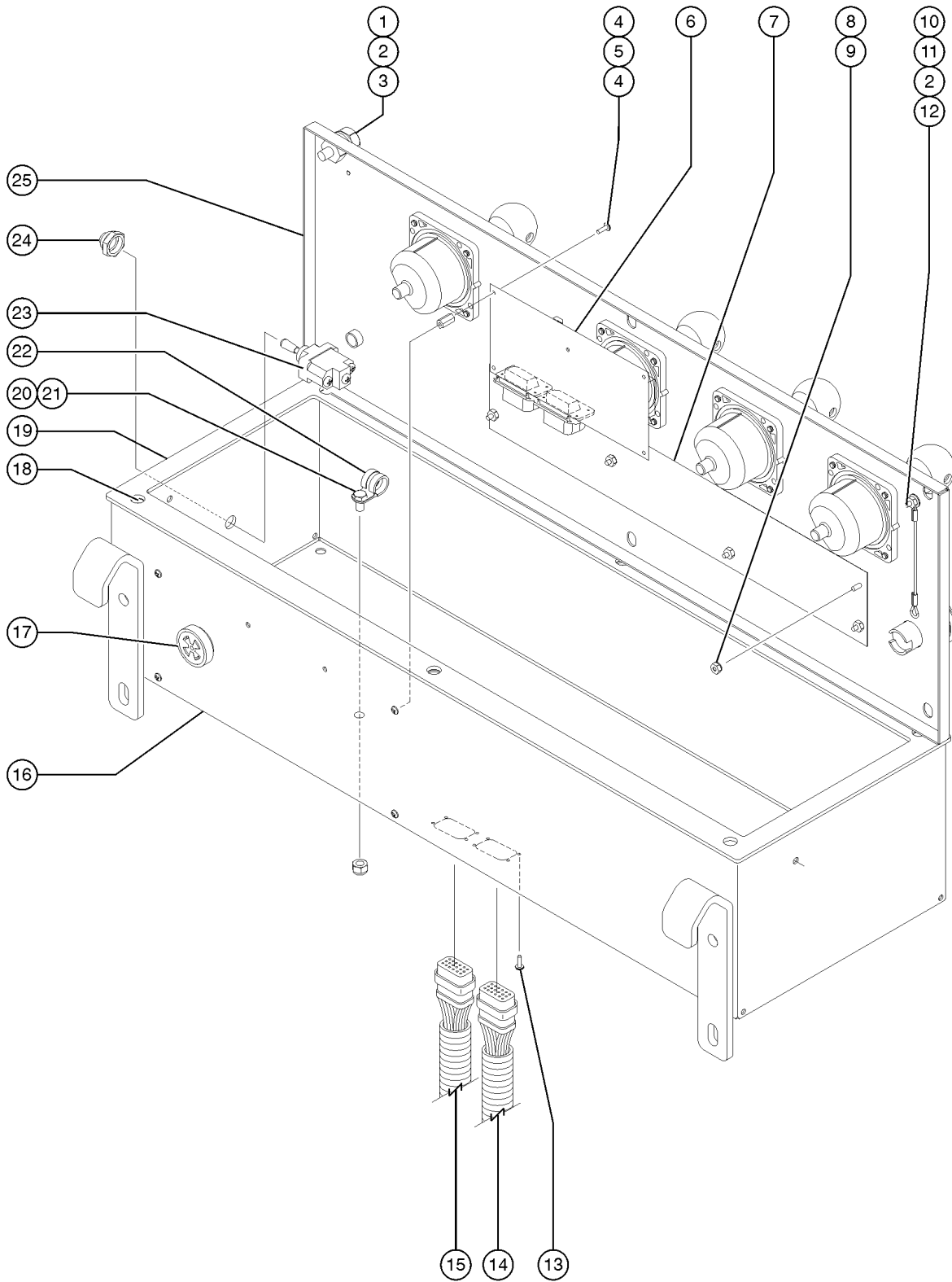
601.2 Platform Installation (from SN 6076)



601.2 Platform Installation (from SN 6076)

| Item | Part No. | Description | Qty. | Item | Part No. | Description | Qty. |
|------|-----------|--|------|------|-----------|---|------|
| A | 1272304GT | ASSY,8FT PLAT TRI LG,BLANK W/SIDE SWING GATE <i>Complete 8' platform assembly</i> | | 24 | 6090GT | SCREW,HHC,1/4-20 X .75 | |
| B | 1272303GT | ASSY,6FT PLAT DUAL LG,BLANK W/SIDE SWING GATE <i>Complete 6' platform assembly</i> | | 25 | 826791GT | SCREW,HHC,3/8-16X.875,8,ZAG.....8 | |
| 1 | 227618GT | ASSEMBLY,FOOT SWITCH.....1 | | 26 | 826793GT | WASHER,FLAT,3/8,SAE,HRD,ZAG.....8 | |
| 2 | 1269641GT | SCREW,HHF-S,10-24X1,5,ZAG.....2 | | 27 | 826792GT | SCREW,HHC,1-8X11,5,ZAG.....1 | |
| 3 | 73575GT | SPRING CLIP,10-24,.025-.125X.468,ZAG.....2 | | 28 | 824116GT | WASHER, FLAT, F436, 1.0, ZAG.....1 | |
| 4 | 147121GT | COVER, FOOT SWITCH, LARGE.....1 | | 29 | 826794GT | NUT,TL,1-8,C,ZAG.....1 | |
| 5 | 824078GT | SCREW,HHF,1/4-20X.75,8,ZAG.....27 | | 30 | 43392GT | BUMPER,BATTERY BOX & RAILS.....2 | |
| 6 | 56912GT | SPRING CLIP,1/4-20,.025-.15X.54,ZAG.....30 | | 31 | 824027GT | NUT,TL FLG,1/4-20,G,ZAG.....12 | |
| 7A | 73478PGT | FLOORING,8 FT PLATFORM**1 <i>for 8' platform</i> | | 32 | 1256855GT | SCREW,HHF,1/4-20X.625,8,ZAG.....12 | |
| 7B | 1267746GT | FLOORING, 6FT PLAT,SIDE.....1 <i>for 6' platform</i> | | 33 | 1272307GT | ASSY,SIDE SWING GATE <i>Complete side swing gate assembly (includes items 30-35)</i> | |
| 8 | 824091GT | SCREW,HHF,3/8-16X1.25,8,ZAG.....6 | | -- | 1265397GT | WELDMENT, SWING GATE.....1 | |
| 9 | 824029GT | NUT,TL FLG,3/8-16,G,ZAG.....10 | | 34 | 1267747GT | LATCH, SWING GATE.....1 | |
| 10A | 102992GT | SLIDING MIDRAIL KIT,PTD.....2 <i>for 8' platform</i> | | 35 | 104804GT | HINGE, SPRING, LONG LEG.....1 | |
| 10B | 102992GT | SLIDING MIDRAIL KIT,PTD.....1 <i>for 6' platform</i> | | 36 | 55753GT | BUMPER, PLASTIC, 1.25 O.D.....2 | |
| 11A | 1274859GT | ASSY,8' PLAT WELDMENT W/SIDE GATE <i>for 8' platform (includes item 10A) (order floor separately)</i> | | 37 | | REF. PLATFORM CONTROL BOX ASSEMBLY <i>(refer to 605.1)</i> | |
| 11B | 1274858GT | ASSY,6' PLAT WELDMENT W/SIDE GATE <i>for 6' platform (includes item 10B)</i> | | | | | |
| 12 | 1251600GT | U-BOLT, FLATTENED, 1.5 X 3/8 UNC,ZAG.....2 | | | | | |
| 13 | 56424GT | CLAMP,1.25X.5 RUBBER-CUSHION....3 | | | | | |
| 14 | 824079GT | SCREW,HHF,1/4-20X1,8,ZAG.....3 | | | | | |
| 15 | 89377GT | PLATE,DOCUMENT BOX MOUNT.....1 | | | | | |
| 16 | 24514GT | BOX,INSTRUCTION STORAGE.....1 | | | | | |
| 17 | 6888GT | SCREW,HHC,1/4-20 X 1 | | | | | |
| 18 | 5397GT | WASHER,FLAT,USS,5/16",Y | | | | | |
| 19 | 6091GT | NUT,NYLOCK,1/4-20 | | | | | |
| 20A | 94390-SGT | OPTION,PLAT SUPPORT,STD,LRG BM.....1 <i>ANSI models</i> | | | | | |
| 20B | | Ref.WELDMENT,PLATFORM SUPPORT,CE <i>CE models (refer to 809.1)</i> | | | | | |
| 21 | | REF. PLATFORM ROTATOR <i>(refer to 505.1)</i> | | | | | |
| 22 | | REF. PLATFORM ROTATE MANIFOLD <i>(refer to 708.1)</i> | | | | | |
| 23 | 77968PGT | PLATE,JIB,ROTATE MANIFOLD | | | | | |

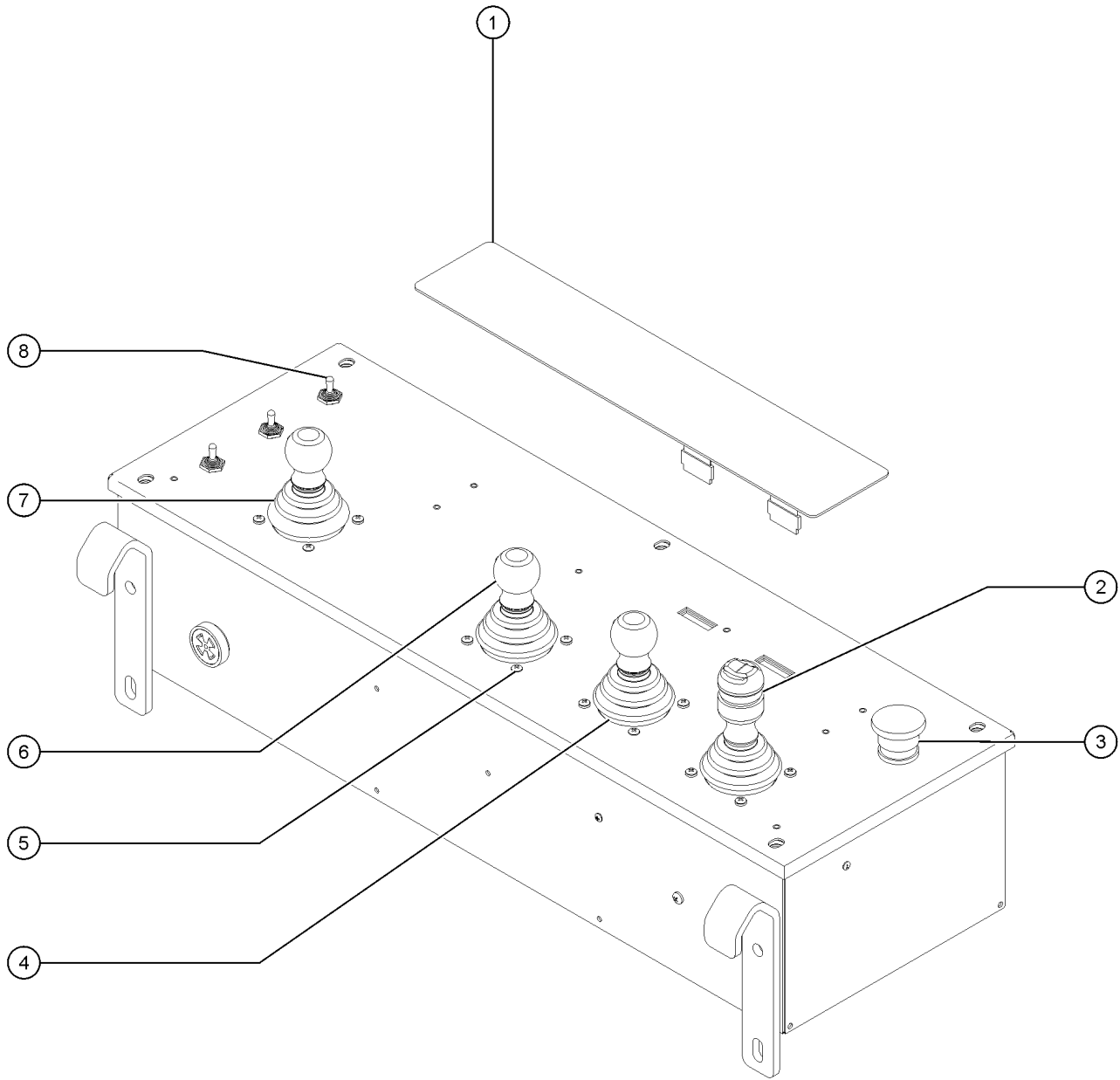
602.1 Platform Controls - View 1 (to SN 4591)



602.1 Platform Controls - View 1 (to SN 4591)

| Item | Part No. | Description | Qty. | Item | Part No. | Description | Qty. |
|------|----------|---|------|------|----------|--|------|
| -- | | <i>For models with toggle switch controls, refer to 604.1</i> | | -- | 146040GT | WIRE HARNESS,PLAT MANFLD Z80 used with manifold part 122961 (refer to 707.2); or from SN 3026 | |
| -- | 94627GT | PLAT BOX,COMPLETE,Z80 REV 102 to SN 1166, to order provide model, serial number, and software revision | | -- | 60513GT | CONN,PLUG 23 WAY,16-20 GA WHT | |
| -- | 111629GT | PLAT BOX,COMPLETE,Z80 REV 104 from SN 1167 to SN 2510, to order provide model, serial number, and software revision | | 15 | 88131GT | HARNESS,PRIMARY BOOM SAE CABLE.....1 <i>Primary half of boom cable, connects to 88132GT, (refer to 303.2); to SN 3025</i> | |
| -- | 146506GT | Z80 PLAT BOX ASSY from SN 2511, to order provide model, serial number, and software revision | | -- | 146425GT | HARNESS PRIM BOOM SAE 11C 2010 from SN 2511 | |
| -- | 77662GT | HARNESS,GND,PCON | | -- | 60512GT | CONN,PLUG 23 WAY,16-20 GA BLK | |
| -- | 88142GT | HARNESS,PCON SWITCH PANEL | | 16 | 77511GT | PLAT CONTROL BOX, ASSY (Z80).....1 <i>includes items 1, 8, 12, 19 and 23</i> | |
| -- | 88140GT | HARNESS,PBOX JOYSTICKS to SN 1166 | | 17 | 62379GT | ALARM,AUDIO,SUPERBOOM***.....1 | |
| -- | 122023GT | HARNESS,PBOX,JOYSTICKS,Z80 from SN 1167 | | -- | 72326GT | NUT - PLASTIC,RING FOR ALARMS | |
| 1 | 8914GT | SCREW,HHC,1/4-20 X .625 | | 18 | 23404GT | NUTSERT,1/4-20,STEEL CAD PLTD | |
| 2 | 6638GT | WASHER,FLAT,USS,1/4"Y | | 19 | 81488GT | GASKET,PLATFORM CONTROL BOX....1 | |
| 3 | 6356GT | WASHER,LOCK,.25 | | 20 | 54365GT | SCREW,PHIL,PHM,10-32 X .5,SSTL | |
| 4 | 81551GT | SCREW,PHIL,PHM,6-32 X 1/4 SS | | 21 | 6178GT | NUT,NYLOCK,10-32 | |
| 5 | 88287GT | STANDOFF,6-32 X 1/2L X 1/4 HEX.....4 | | 22 | 13268GT | CLAMP,0.75,#12 X 1/4,RUB CUSH | |
| 6 | 94947GT | PCB,ASSY,ECM,PLATFORM,102 to SN 927, to order provide model, and serial number | | 23 | 122362GT | FIELD KIT,PL LVL REC,ALC1000.....1 <i>platform level recovery option</i> | |
| -- | 111628GT | PCB,ASSY,ECM,PLATFORM,104 from SN 928 to SN 2500, to order provide model, and serial number | | -- | 122343GT | DECAL,PLAT LVL.RECOVERY | |
| -- | 146358GT | PCB,ASSY,ECM,PLATFORM,105 from SN 2501 to SN 2510, to order provide model, and serial number | | -- | 122461GT | HARNESS,PLAT LEVEL RECOVERY | |
| -- | 146394GT | PCB,ASSY,ECM,PLATFORM,V2.00 from SN 2511 to SN 4088, to order provide model, and serial number | | -- | 128203GT | SWITCH TOGGLE ASSY SPDT 2P MOM | |
| -- | 219422GT | PCB,ASSY,ECM,PLATFORM,V2.04 from SN 4085, to order provide model, and serial number | | 24 | 27246GT | BOOT,TOGGLE SWITCH,SHORT* <i>included in field kit part 122362</i> | |
| 7 | 62399GT | PCB,MEMBRANE/LED,SB/Z80.....1 <i>For models with toggle switch controls, refer to 604.1</i> | | -- | 229567GT | PLUG,SANTOPRENE .5 BLACK DOME <i>use if field kit part 122362 is not installed</i> | |
| 8 | 12344GT | NUT,NYLOCK,6-32 | | 25 | 88061PGT | LID,4 JOYSTICK PLATFORM CNTRL | |
| 9 | 56306GT | WASHER,FLAT NYLON #10 | | | | | |
| 10 | 49820GT | SCREW,PHILLIPS,PHM,6-32 X .5 | | | | | |
| 11 | 35461GT | WASHER,FLAT,MS,#8,Y | | | | | |
| 12 | 77351GT | LANYARD,PLATFORM CONTROL BOX.....2 | | | | | |
| 13 | 88288GT | SCREW,#4X3/8,HI-LO,PH PHIL, TAP | | | | | |
| 14 | 88130GT | HARNESS,PCON J2 MANIFOLD Z-80...1 to SN 3025 (platform controls to platform manifold) | | | | | |

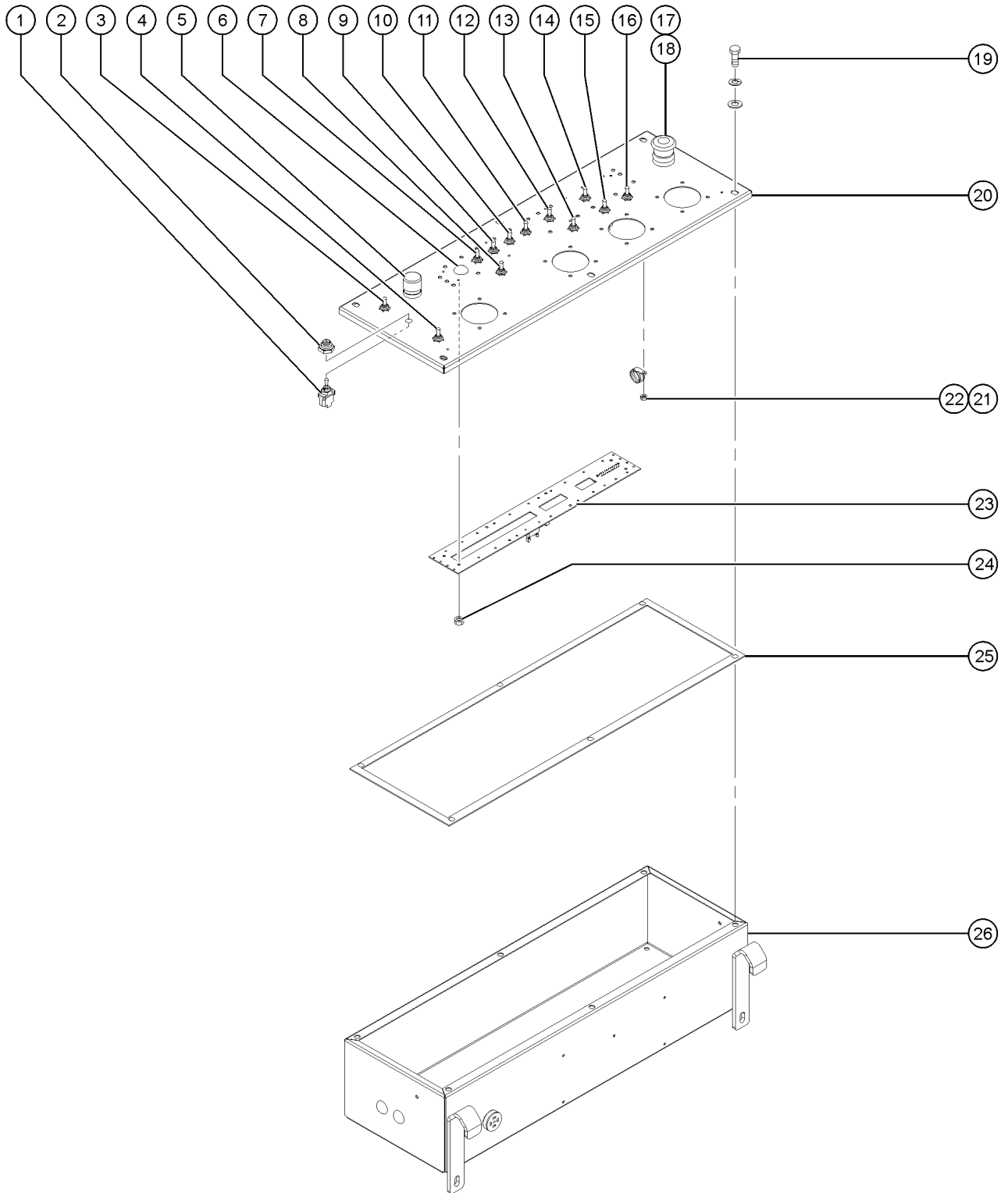
603.1 Platform Controls - View 2 (to SN 4591)



603.1 Platform Controls - View 2 (to SN 4591)

| Item | Part No. | Description | Qty. |
|------|----------|--|------|
| -- | | <i>For models with toggle switch controls, refer to 604.1</i> | |
| -- | 111414GT | JOYSTICK CONNECTOR ASSEM,AMP to SN 1166 | |
| -- | 111413GT | JOYSTICK CONNECTOR ASSEM,DEUT from SN 1167 | |
| 1 | 88054GT | SWITCH,MEMBRANE,PLATFORM.....1 | |
| 2 | | Ref. JOYSTICK,2 AXIS,DEUTSCH.....1 <i>Multi-axis or Single-axis with Steer Rocker Switch (drive/steer functions), calibration required after replacement; refer to 606.1 or 606.2</i> | |
| 3 | 122519GT | KIT,ESTOP SVC LARGE BOOM.....1 | |
| -- | 146478GT | BOOT(BELLOWS),E-STOP,BLACK | |
| -- | 66812GT | BUTTON,PUSH,RED MUSHROOM HEAD | |
| -- | 66818GT | CONTACT, N.C. | |
| -- | 66821GT | BASE,WITHOUT CONTACTS | |
| 4 | | Ref. JOYSTICK.....1 <i>Single-axis (secondary boom up/extend and down/retract function), calibration required after replacement; refer to 606.1 or 606.2</i> | |
| 5 | 77048GT | SCREW,PHM,10-32X3/4,ST TYPE F to SN 2407 | |
| -- | 139338GT | SCREW PH M5-0.8X20 DIN 7500CE from SN 2408 | |
| 6 | | Ref. JOYSTICK.....1 <i>Single-axis (primary boom extend/retract function), calibration required after replacement; refer to 606.1 or 606.2</i> | |
| 7 | | Ref. JOYSTICK.....1 <i>Multi-axis (primary boom up/down and turntable rotate left/right functions), calibration required after replacement; refer to 606.1 or 606.2</i> | |
| 8 | 128200GT | SWITCH TOGGLE ASSY SPDT 3P MOM.....3 | |

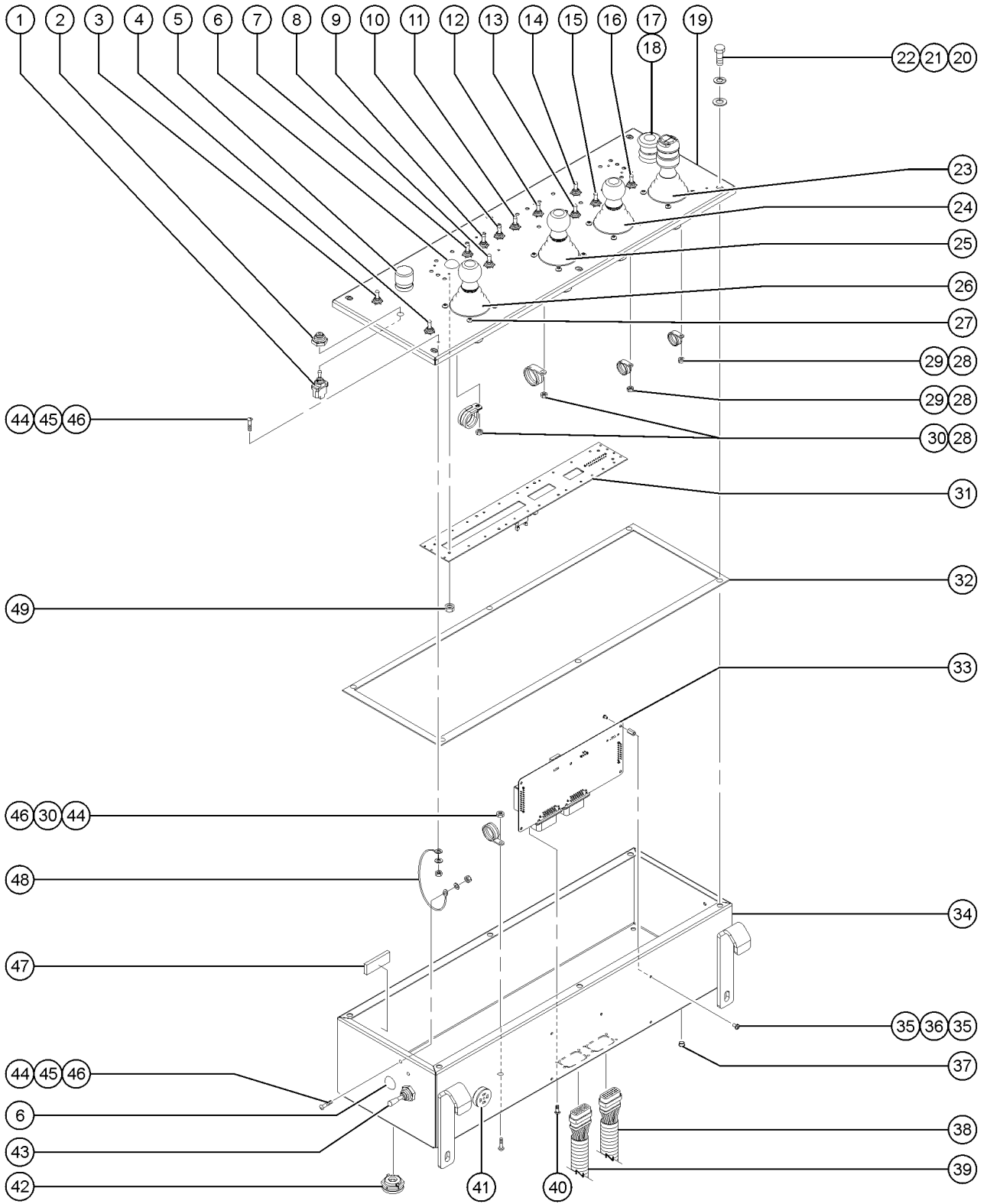
604.1 Toggle Switch Lid Option (to SN 4591)



604.1 Toggle Switch Lid Option (to SN 4591)

| Item | Part No. | Description | Qty. | Item | Part No. | Description | Qty. |
|------|----------|--|------|------|----------|--|------|
| -- | | <i>For models with push buttons controls, refer to 602.1 and 603.1</i> | | 15 | 128200GT | SWITCH TOGGLE ASSY SPDT 3P MOM.....1 <i>Steer Mode Toggle Switch</i> | 1 |
| -- | 822949GT | KIT, TOGL SW LID, Z80, ANSI <i>(includes harness 235346 and items 1 - 25)</i> | | 16 | 128200GT | SWITCH TOGGLE ASSY SPDT 3P MOM.....1 <i>Steer Mode Toggle Switch</i> | 1 |
| -- | 822950GT | KIT, TOGL SW LID, Z80, CE <i>(includes harness 235346 and items 1 - 25)</i> | | 17 | 66812GT | BUTTON,PUSH,RED MUSHROOM HEAD.....1 | 1 |
| -- | 822951GT | KIT, TOGL SW LID, Z80, AUS <i>(includes harness 235346 and items 1 - 25)</i> | | -- | 66817GT | BASE WITH 1 NC CONTACT, E-STOP | |
| -- | 235346GT | HARNES, PCON, TOG SW, ALC1000 | | 18 | 146478GT | BOOT(BELLOWS),E-STOP,BLACK.....1 | 1 |
| 1 | 128200GT | SWITCH TOGGLE ASSY SPDT 3P MOM.....1 <i>Platform Level Toggle Switch</i> | 1 | 19 | | Ref. SCREW,HHC,1/4-20 X .75 <i>(Refer to 602.1)</i> | |
| 2 | 27246GT | BOOT,TOGGLE SWITCH,SHORT*.....1 <i>Part of toggle switch 128200</i> | 1 | 20 | 229387GT | LID, PCON, TOG SW, Z80.....1 | 1 |
| 3 | 128200GT | SWITCH TOGGLE ASSY SPDT 3P MOM.....1 <i>Platform Rotate Toggle Switch</i> | 1 | 21 | 104030GT | NUT HEX M5-0.8 CLASS 8 ZINC | |
| 4 | 128200GT | SWITCH TOGGLE ASSY SPDT 3P MOM.....1 <i>Jib Boom Up/Down Toggle Switch</i> | 1 | 22 | 13268GT | CLAMP,0.75,#12 X 1/4,RUB CUSH.....1 | 1 |
| 5 | 66813GT | BUTTON,PUSH,BLACK W/SEAL***.....1 <i>Horn Button</i> | 1 | 23 | 232975GT | PCB, LED/TOGGLE SWITCH, ALC100...1 <i>For models with push buttons controls, refer to 602.1 and 603.1</i> | 1 |
| 6 | 229567GT | PLUG,SANTOPRENE .5 BLACK DOME.....1 <i>Optional Equipment</i> | 1 | 24 | 12344GT | NUT,NYLOCK,6-32 | |
| 7 | 128200GT | SWITCH TOGGLE ASSY SPDT 3P MOM.....1 <i>Generator ON/OFF Toggle Switch</i> | 1 | 25 | 81488GT | GASKET,PLATFORM CONTROL BOX....1 | 1 |
| 8 | 128200GT | SWITCH TOGGLE ASSY SPDT 3P MOM.....1 <i>Drive Enable Toggle Switch</i> | 1 | 26 | | Ref. WELDMENT, PLATFORM CONTROL BOX <i>(Refer to 602.1)</i> | |
| 9 | 128200GT | SWITCH TOGGLE ASSY SPDT 3P MOM.....1 <i>Emergency Power Switch</i> | 1 | | | | |
| 10 | 128200GT | SWITCH TOGGLE ASSY SPDT 3P MOM.....1 <i>Glow Plug Switch</i> | 1 | | | | |
| 11 | 128200GT | SWITCH TOGGLE ASSY SPDT 3P MOM.....1 <i>Engine Start Toggle Switch</i> | 1 | | | | |
| 12 | 128200GT | SWITCH TOGGLE ASSY SPDT 3P MOM.....1 <i>Engine Idle Control Toggle Switch</i> | 1 | | | | |
| 13 | 128200GT | SWITCH TOGGLE ASSY SPDT 3P MOM.....1 <i>Drive Control Toggle Switch</i> | 1 | | | | |
| 14 | 128200GT | SWITCH TOGGLE ASSY SPDT 3P MOM.....1 <i>Fuel Select Control Toggle Switch</i> | 1 | | | | |

605.1 Platform Controls (from SN 4592)



605.1 Platform Controls (from SN 4592)

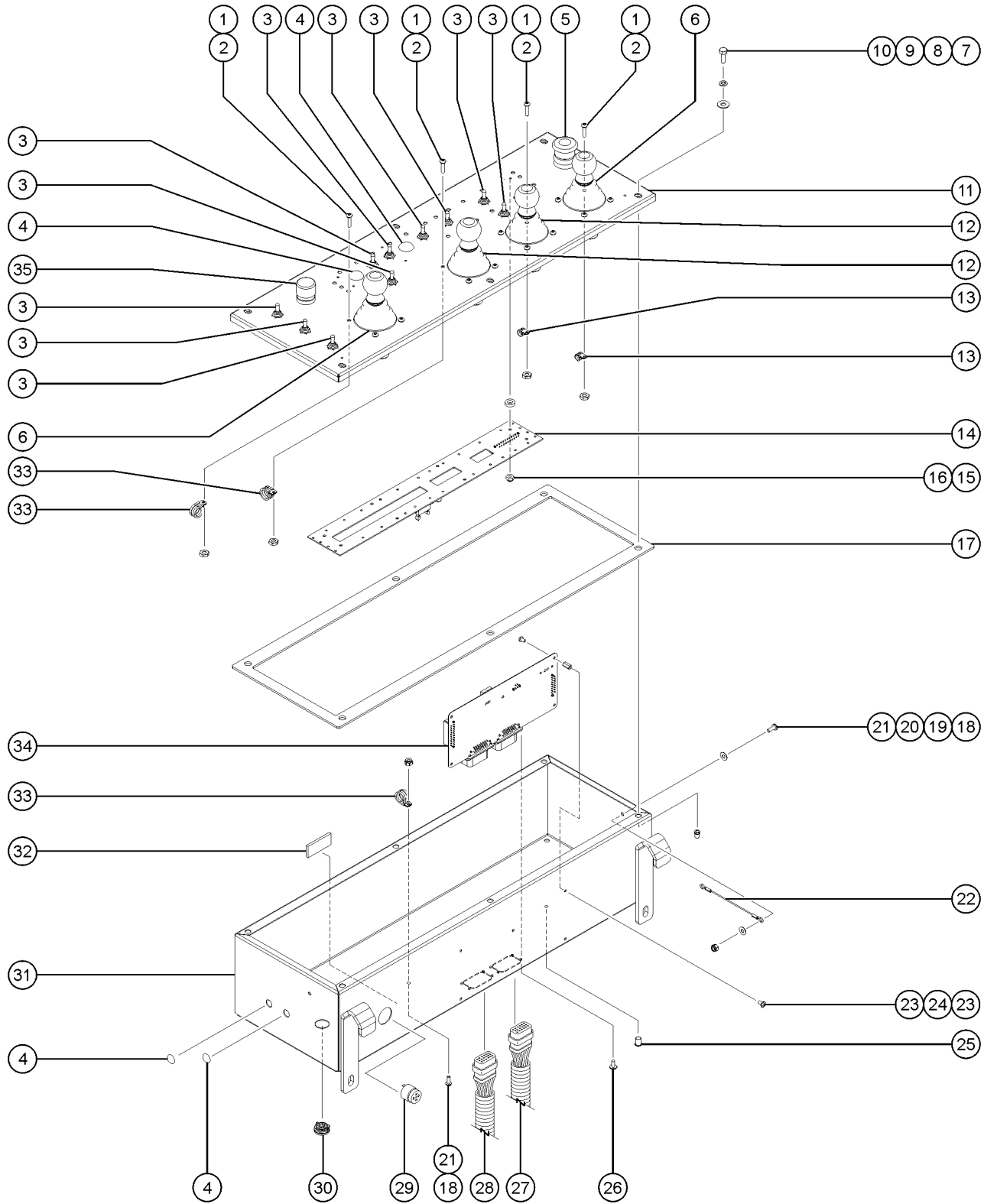
| Item | Part No. | Description | Qty. | Item | Part No. | Description | Qty. |
|------|----------|---|------|------|----------|--|------|
| -- | 822613GT | ASSY, CONTROL BOX, PCON, Z80 (complete, includes items 1 - 37 and 40 - 49) | | -- | 122519GT | KIT,ESTOP SVC LARGE BOOM.....1 | |
| -- | 88142GT | HARNESS,PCON SWITCH PANEL | | -- | 66817GT | BASE WITH 1 NC CONTACT, E-STOP | |
| -- | 122023GT | HARNESS,PBOX,JOYSTICKS,Z80 | | 18 | 146478GT | BOOT(BELLOWS),E-STOP,BLACK.....1 | |
| -- | 235346GT | HARNESS, PCON, TOG SW, ALC1000 | | 19 | 229387GT | LID, PCON, TOG SW, Z80.....1 | |
| 1 | 128200GT | SWITCH TOGGLE ASSY SPDT 3P MOM.....1 <i>Platform Level Toggle Switch</i> | | 20 | 6090GT | SCREW,HHC,1/4-20 X .75 | |
| 2 | 27246GT | BOOT,TOGGLE SWITCH,SHORT*.....1 <i>Part of toggle switch 128200</i> | | 21 | 6356GT | WASHER,LOCK,,25 | |
| 3 | 128200GT | SWITCH TOGGLE ASSY SPDT 3P MOM.....1 <i>Platform Rotate Toggle Switch</i> | | 22 | 6638GT | WASHER,FLAT,USS,1/4"Y | |
| 4 | 128200GT | SWITCH TOGGLE ASSY SPDT 3P MOM.....1 <i>Jib Boom Up/Down Toggle Switch</i> | | 23 | | Ref. JOYSTICK,2 AXIS,DEUTSCH.....1 <i>Multi-axis or Single-axis with Steer Rocker Switch (drive/steer functions), calibration required after replacement; refer to 606.1 or 606.2</i> | |
| 5 | 66813GT | BUTTON,PUSH,BLACK W/SEAL***.....1 <i>Horn Button</i> | | 24 | | Ref. JOYSTICK.....1 <i>Single-axis (secondary boom up/extend and down/retract function), calibration required after replacement; refer to 606.1 or 606.2</i> | |
| 6 | 229567GT | PLUG,SANTOPRENE .5 BLACK DOME.....2 <i>Optional Equipment</i> | | 25 | | Ref. JOYSTICK.....1 <i>Single-axis (primary boom extend/retract function), calibration required after replacement; refer to 606.1 or 606.2</i> | |
| 7 | 128200GT | SWITCH TOGGLE ASSY SPDT 3P MOM.....1 <i>Generator ON/OFF Toggle Switch</i> | | 26 | | Ref. JOYSTICK.....1 <i>Multi-axis (primary boom up/down and turntable rotate left/right functions)), calibration required after replacement; refer to 606.1 or 606.2</i> | |
| 8 | 128200GT | SWITCH TOGGLE ASSY SPDT 3P MOM.....1 <i>Drive Enable Toggle Switch</i> | | 27 | 139338GT | SCREW PH M5-0.8X20 DIN 7500CE | |
| 9 | 128200GT | SWITCH TOGGLE ASSY SPDT 3P MOM.....1 <i>Emergency Power Switch</i> | | 28 | 104030GT | NUT HEX M5-0.8 CLASS 8 ZINC | |
| 10 | 128200GT | SWITCH TOGGLE ASSY SPDT 3P MOM.....1 <i>Glow Plug Switch</i> | | 29 | 6833GT | CLAMP,0.50,#8 X 1/4,RUB CUSH.....2 | |
| 11 | 128200GT | SWITCH TOGGLE ASSY SPDT 3P MOM.....1 <i>Engine Start Toggle Switch</i> | | 30 | 13268GT | CLAMP,0.75,#12 X 1/4,RUB CUSH.....3 | |
| 12 | 128200GT | SWITCH TOGGLE ASSY SPDT 3P MOM.....1 <i>Engine Idle Control Toggle Switch</i> | | 31 | 232975GT | PCB, LED/TOGGLE SWITCH, ALC100...1 | |
| 13 | 128200GT | SWITCH TOGGLE ASSY SPDT 3P MOM.....1 <i>Drive Control Toggle Switch</i> | | 32 | 81488GT | GASKET,PLATFORM CONTROL BOX...1 | |
| 14 | 128200GT | SWITCH TOGGLE ASSY SPDT 3P MOM.....1 <i>Fuel Select Control Toggle Switch</i> | | 33 | 219422GT | PCB,ASSY,ECM,PLATFORM,V2.04.....1 | |
| 15 | 128200GT | SWITCH TOGGLE ASSY SPDT 3P MOM.....1 <i>Steer Mode Toggle Switch</i> | | 34 | 88063PGT | PLATFORM CONTROL BOX,WELDMENT.....1 | |
| 16 | 128200GT | SWITCH TOGGLE ASSY SPDT 3P MOM.....1 <i>Steer Mode Toggle Switch</i> | | 35 | 81551GT | SCREW,PHIL,PHM,6-32 X 1/4 SS | |
| 17 | 66812GT | BUTTON,PUSH,RED MUSHROOM HEAD | | 36 | 88287GT | STANDOFF,6-32 X 1/2L X 1/4 HEX.....5 | |
| | | | | 37 | 42288GT | PLUG,NYLON .188 BLACK DOMED.....2 | |
| | | | | 38 | 146040GT | WIRE HARNESS,PLAT MANFLD Z80.....1 | |
| | | | | -- | 60513GT | CONN,PLUG 23 WAY,16-20 GA WHT | |
| | | | | 39 | 146425GT | HARNESS PRIM BOOM SAE 11C 2010.....1 | |
| | | | | -- | 60512GT | CONN,PLUG 23 WAY,16-20 GA BLK | |
| | | | | 40 | 122351GT | SCREW,#4X1/4,HI-LO,PH PHIL,TAP | |
| | | | | 41 | 62379GT | ALARM,AUDIO,SUPERBOOM*** | |
| | | | | -- | 72326GT | NUT - PLASTIC,RING FOR ALARMS | |
| | | | | 42 | 106495GT | PLUG,1/2" HUBBLE.....1 | |
| | | | | 43 | 128200GT | SWITCH TOGGLE ASSY SPDT 3P MOM.....1 <i>Platform level recovery option</i> | |

605.1 Platform Controls (from SN 4592)
(continued)

| Item | Part No. | Description | Qty. |
|------|-----------|---|------|
| -- | 122343GT | DECAL,PLAT LVL.RECOVERY | |
| -- | 122362GT | FIELD KIT,PL LVL REC,ALC1000 | |
| -- | 122461GT | HARNESS,PLAT LEVEL RECOVERY | |
| -- | 128203GT | SWITCH TOGGLE ASSY SPDT 2P MOM | |
| -- | 229567GT | PLUG,SANTOPRENE .5 BLACK DOME <i>Used if toggle switch not installed</i> | |
| 44 | 54365GT | SCREW,PHIL,PHM,10-32 X .5,SSTL | |
| 45 | 6146GT | WASHER,FLAT,MS,#10,Y | |
| 46 | 6178GT | NUT,NYLOCK,10-32 | |
| 47 | 30997GT | CORROSION INHIBITOR,FOAM.....1 | |
| 48 | 1258952GT | LANYARD, BOX, CONTROL, PLATFORM.....2 | |
| 49 | 12344GT | NUT,NYLOCK,6-32 | |

This Page Intentionally Left Blank

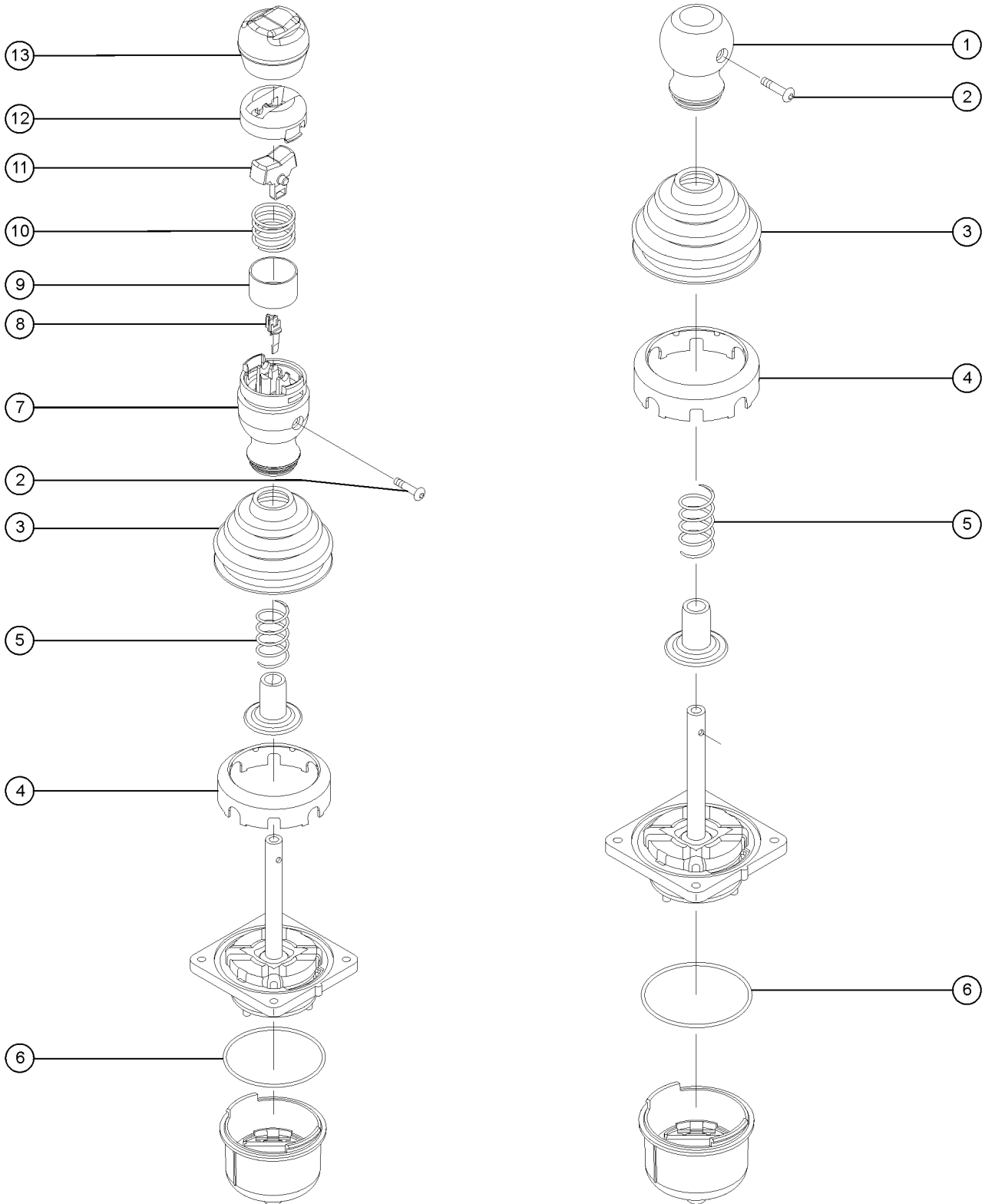
605.2 Platform Controls, Perkins 404F-22T and Deutz TD2.9L4



605.2 Platform Controls, Perkins 404F-22T and Deutz TD2.9L4

| Item | Part No. | Description | Qty. | Item | Part No. | Description | Qty. |
|------|-----------|---|------|------|----------|---------------------------------------|------|
| -- | | HARNES, PBOX, JOYSTICKS, Z80..... | 1 | 31 | 825532GT | PLATFORM CONTROL BOX, WELDMENT..... | 1 |
| -- | 235346GT | HARNES, PCON, TOG SW, ALC1000..... | 1 | 32 | 30997GT | CORROSION INHIBITOR, FOAM..... | 1 |
| -- | 88142GT | HARNES, PCON SWITCH PANEL..... | 1 | 33 | 13268GT | CLAMP, 0.75, #12 X 1/4, RUB CUSH..... | 3 |
| 1 | 139338GT | SCREW PH M5-0.8X20 DIN 7500CE..... | 16 | 34 | 219422GT | PCB, ASSY, ECM, PLATFORM, V2.04..... | 1 |
| 2 | 104030GT | NUT HEX M5-0.8 CLASS 8 ZINC..... | 4 | 35 | 66813GT | BUTTON, PUSH, BLACK W/SEAL***..... | 1 |
| 3 | 128200GT | SWITCH TOGGLE ASSY SPDT 3P MOM..... | 12 | -- | 66815GT | BASE, W/1 N.O. CONTACTS***..... | 1 |
| 4 | 229567GT | PLUG, SANTOPRENE .5 BLACK DOME..... | 4 | | | | |
| 5 | 66812GT | BUTTON, PUSH, RED MUSHROOM HEAD..... | 1 | | | | |
| -- | 146478GT | BOOT(BELLOWS), E-STOP, BLACK..... | 1 | | | | |
| -- | 66817GT | BASE WITH 1 NC CONTACT, E-STOP...1 | | | | | |
| 6 | | Ref. JOYSTICK, 2 AXIS, DEUTSCH..... | 2 | | | | |
| | | <i>Refer to 606.2</i> | | | | | |
| 7 | 6090GT | SCREW, HHC, 1/4-20 X .75..... | 6 | | | | |
| 8 | 6356GT | WASHER, LOCK, .25..... | 6 | | | | |
| 9 | 6638GT | WASHER, FLAT, USS, 1/4"Y..... | 6 | | | | |
| 10 | 23404GT | NUTSERT, 1/4-20, STEEL CAD PLTD..... | 6 | | | | |
| 11 | 229387GT | LID, PCON, TOG SW, Z80..... | 1 | | | | |
| 12 | | Ref. JOYSTICK, 1 AXIS, DEUTSCH..... | 2 | | | | |
| | | <i>Refer to 606.2</i> | | | | | |
| 13 | 6833GT | CLAMP, 0.50, #8 X 1/4, RUB CUSH..... | 2 | | | | |
| 14 | 232975GT | PCB, LED/TOGGLE SWITCH, ALC100...1 | | | | | |
| 15 | 12344GT | NUT, NYLOCK, 6-32 | | | | | |
| 16 | 822224GT | WASHER, NYLON #10, 0.093..... | 8 | | | | |
| 17 | 81488GT | GASKET, PLATFORM CONTROL BOX...1 | | | | | |
| 18 | 54365GT | SCREW, PHIL, PHM, 10-32 X .5, SSTL..... | 3 | | | | |
| 19 | 35461GT | WASHER, FLAT, MS, #8, Y | | | | | |
| 20 | 6146GT | WASHER, FLAT, MS, #10, Y..... | 2 | | | | |
| 21 | 6178GT | NUT, NYLOCK, 10-32..... | 3 | | | | |
| 22 | 1258952GT | LANYARD, BOX, CONTROL, PLATFORM..... | 2 | | | | |
| 23 | 81551GT | SCREW, PHIL, PHM, 6-32 X 1/4 SS..... | 10 | | | | |
| 24 | 88287GT | STANDOFF, 6-32 X 1/2L X 1/4 HEX..... | 5 | | | | |
| 25 | 42288GT | PLUG, NYLON .188 BLACK DOMED..... | 2 | | | | |
| 26 | 122351GT | SCREW, #4X1/4, HI-LO, PH PHIL, TAP.... | 8 | | | | |
| 27 | 146040GT | WIRE HARNES, PLAT MANFLD Z80..... | 1 | | | | |
| -- | 60513GT | CONN, PLUG 23 WAY, 16-20 GA WHT | | | | | |
| 28 | 146425GT | HARNES PRIM BOOM SAE 11C 2010..... | 1 | | | | |
| -- | 60512GT | CONN, PLUG 23 WAY, 16-20 GA BLK | | | | | |
| 29 | 62379GT | ALARM, AUDIO, SUPERBOOM***..... | 1 | | | | |
| -- | 72326GT | NUT - PLASTIC, RING FOR ALARMS | | | | | |
| 30 | 106495GT | PLUG, 1/2" HUBBLE..... | 1 | | | | |

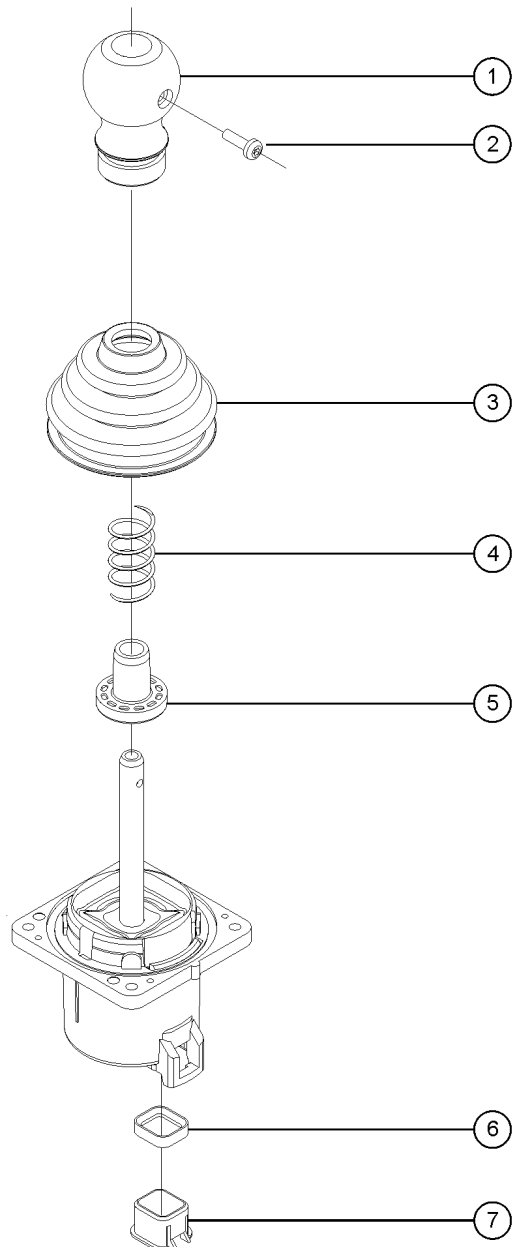
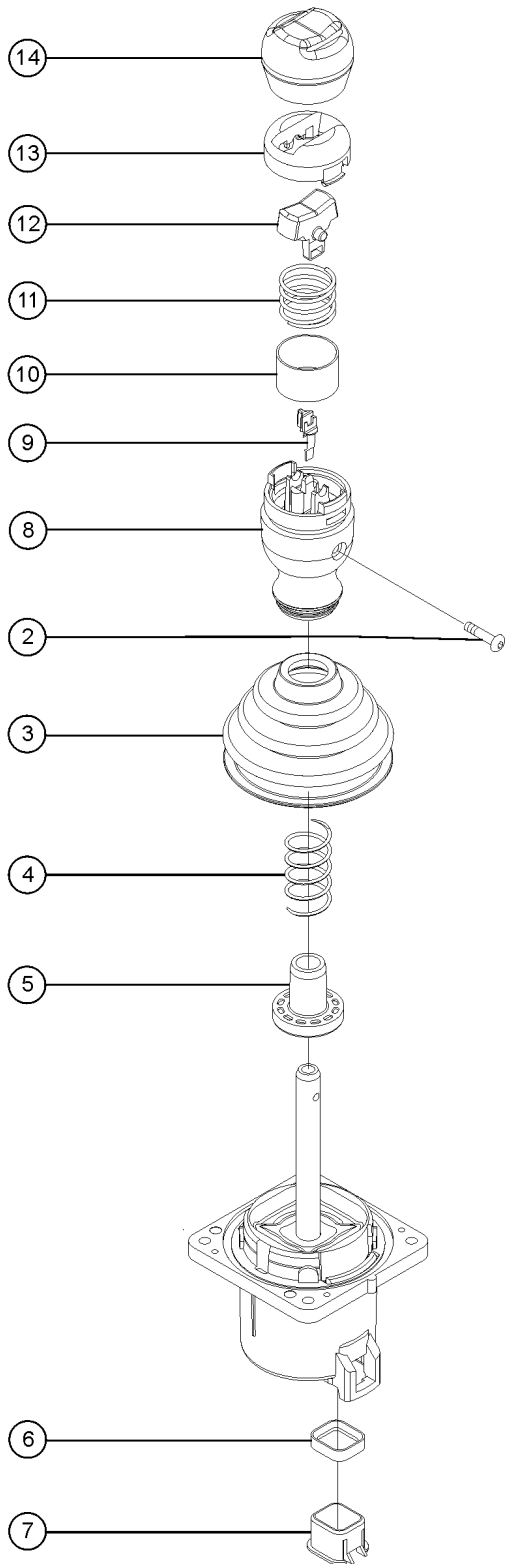
606.1 Joysticks (to SN 1166)



606.1 Joysticks (to SN 1166)

| Item | Part No. | Description | Qty. |
|------|-----------|--|------|
| -- | 111417GT | JOYSTICK W/HARN ADPTR, 2 AXIS <i>this kit converts joystick to Deutsch style connection (OEM joystick); after first time replacement, refer to section 604.2</i> | |
| -- | 111415GT | JOYSTICK W/HARN ADPTR, 1 AXIS <i>this kit converts joystick to Deutsch style connection (OEM joystick); after first time replacement, refer to section 604.2</i> | |
| -- | 111416GT | JOYSTICK W/HARN ADPTR KIT RCKR <i>this kit converts joystick to Deutsch style connection (OEM joystick); after first time replacement, refer to section 604.2</i> | |
| -- | 83098GT | TERM,AMP MTE,SOC,22-26 GA BULK | |
| -- | 119613GT | HARN JOYSTICK ADAPTOR JS100 <i>for first time replacement only</i> | |
| Z | 1269502GT | KIT, ISOLATION, 4 JOYSTICK | |
| 1 | 62392GT | KNOB,JOYSTICK, 62390/62391.....1 | |
| 2 | T112626GT | SCREW, PHM, #6-32 X .625 ZINC.....1 | |
| 3 | 139598GT | BOOT,JOYSTICK.....1 | |
| 4 | 75143GT | BOOT GUARD, JOYSTICK 62390/91.....1 | |
| 5 | | SPRING,JOYSTK CENTR,62390/91.....1 <i>no longer available from supplier</i> | |
| 6 | | O-RING,JOYSTICK, 62390/62391.....1 <i>no longer available from supplier</i> | |
| 7 | 75449GT | KNOB,ROCKER JOYSTICK 75565.....1 | |
| 8 | 75448GT | SUPPORT,SENSOR,JOYSTICK.....1 | |
| 9 | 75447GT | SWITCH SHIELD,ROCK JOYSTK75565.....1 | |
| 10 | 75446GT | SPRING,SWITCH CENTERING,75565...1 | |
| 11 | 75445GT | ROCKER ASSY.,MAGNETIC 75565.....1 | |
| 12 | 75444GT | ROCKER,RETAINER, 75565.....1 | |
| 13 | 75443GT | BOOT, ROCKER JOYSTICK 75565.....1 | |

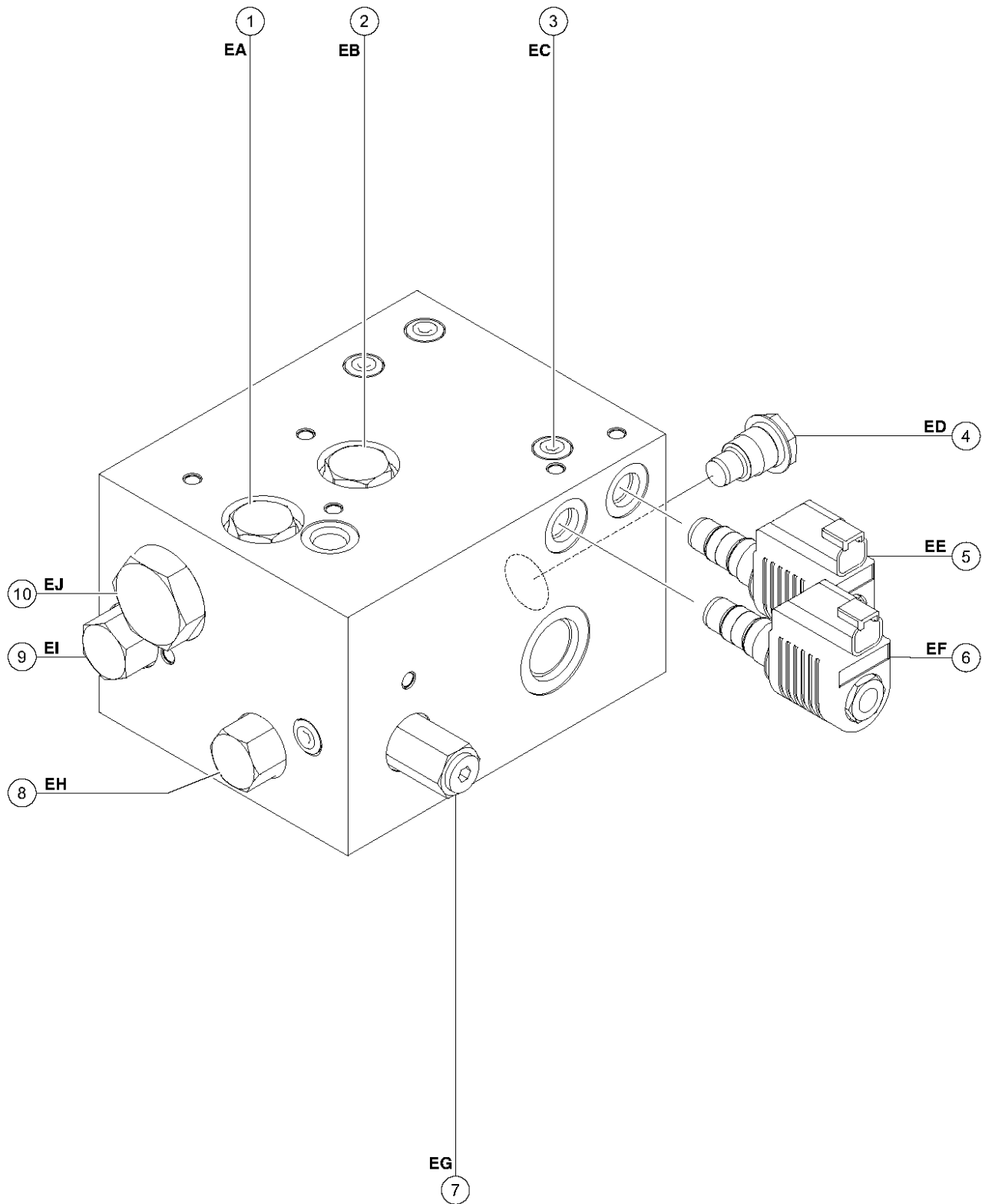
606.2 Joysticks (from SN 1167)



606.2 Joysticks (from SN 1167)

| Item | Part No. | Description | Qty. |
|------|-----------|--|------|
| -- | 101174GT | JOYSTICK,2 AXIS,DEUTSCH <i>OEM joystick (calibration required after replacement)</i> | |
| -- | 101174HGT | JOYSTICK,DUAL AXIS W/KNOB <i>aftermarket joystick (calibration required after replacement)</i> | |
| -- | 101175GT | JOYSTICK,1 AXIS,DEUTSCH <i>OEM joystick (calibration required after replacement)</i> | |
| -- | 101175HGT | JOYSTICK,SINGLE AXIS W/KNOB <i>aftermarket joystick (calibration required after replacement)</i> | |
| -- | 101005GT | JOYSTICK,1 AXIS ROCKER,DEUTSCH <i>OEM joystick (calibration required after replacement)</i> | |
| -- | 101005HGT | JOYSTICK,SINGLE AXIS W/STEER <i>aftermarket joystick (calibration required after replacement)</i> | |
| -- | 83098GT | TERM,AMP MTE,SOC,22-26 GA BULK | |
| -- | 119613GT | HARN JOYSTICK ADAPTOR JS100 <i>Used only on units prior to SN 1167</i> | |
| Z | 1269502GT | KIT, ISOLATION, 4 JOYSTICK | |
| 1 | 62392GT | KNOB,JOYSTICK, 62390/62391..... | 1 |
| 2 | T112626GT | SCREW, PHM, #6-32 X .625 ZINC..... | 1 |
| 3 | 139598GT | BOOT,JOYSTICK..... | 1 |
| 4 | | SPRING,JOYSTK CENTR,62390/91..... <i>no longer available from supplier</i> | 1 |
| 5 | 119915GT | COLLAR,JOYSTICK,CENTER..... | 1 |
| 6 | 128000GT | SEAL, CONNECTOR (DT JOYSTICKS)..... | 1 |
| 7 | 128001GT | SLEEVE,CONNECTOR,DT JOYSTICKS..... | 1 |
| 8 | 75449GT | KNOB,ROCKER JOYSTICK 75565..... | 1 |
| 9 | 75448GT | SUPPORT,SENSOR,JOYSTICK..... | 1 |
| 10 | 75447GT | SWITCH SHIELD,ROCK JOYSTK75565..... | 1 |
| 11 | 75446GT | SPRING,SWITCH CENTERING,75565... | 1 |
| 12 | 75445GT | ROCKER ASSY.,MAGNETIC 75565..... | 1 |
| 13 | 75444GT | ROCKER,RETAINER, 75565..... | 1 |
| 14 | 75443GT | BOOT, ROCKER JOYSTICK 75565..... | 1 |

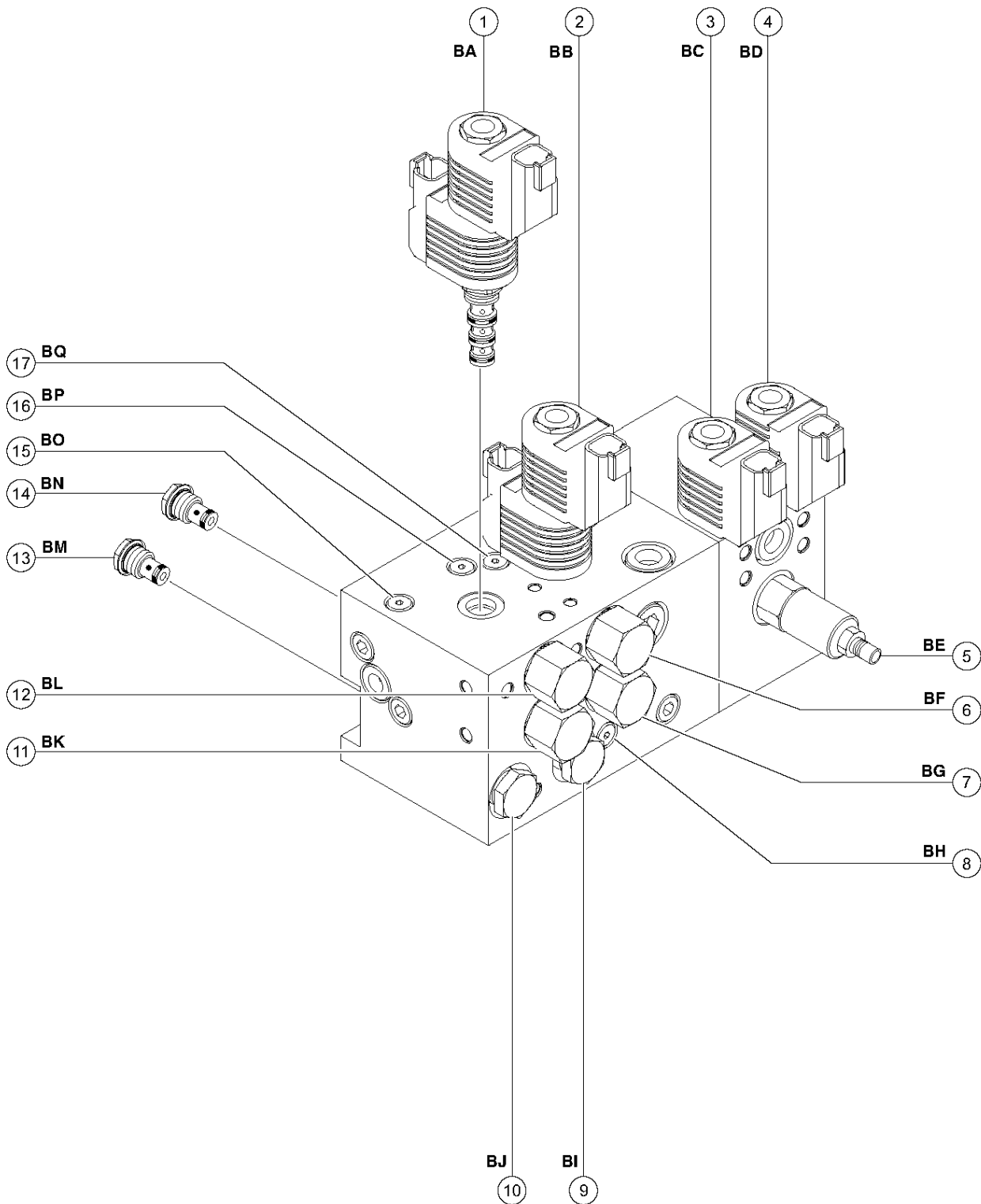
701.1 2WD Traction Manifold



701.1 2WD Traction Manifold

| Item | Part No. | Description | Qty. |
|------|----------|---|------|
| -- | 70247GT | MANIFOLD,TRACTION,2WD | |
| 1 | 27836GT | VALVE,CHECK,5 PSI <i>EA, Drive motor anti-cavitation</i> | |
| 2 | 27836GT | VALVE,CHECK,5 PSI <i>EB, Drive motor anti-cavitation</i> | |
| 3 | 89299GT | PLUG ORIFICE, .031 <i>EC, Brake and two-speed circuit</i> | |
| 4 | 69873GT | VALVE, CHECK <i>ED, Keeps brakes released in case of temporary loss of charge pressure</i> | |
| -- | 74902GT | SEAL KIT | |
| 5 | 62263GT | VALVE,SOLENOID, 2 POS, 3 WAY <i>EE, Brake release</i> | |
| -- | 52943GT | NUT,SOLENOID VALVE COIL | |
| -- | 62273GT | COIL,GREEN W/ 2 PIN CONNECTOR* | |
| -- | 72043GT | SEAL KIT,SOLENOID VALVE | |
| 6 | 62263GT | VALVE,SOLENOID, 2 POS, 3 WAY <i>EF, two-speed drive motor shift</i> | |
| -- | 52943GT | NUT,SOLENOID VALVE COIL | |
| -- | 62273GT | COIL,GREEN W/ 2 PIN CONNECTOR* | |
| -- | 72043GT | SEAL KIT,SOLENOID VALVE | |
| 7 | 77507GT | VALVE,RELIEF 250 PSI(70247) <i>EG, Charge pressure circuit</i> | |
| -- | 74902GT | SEAL KIT | |
| 8 | 43596GT | VALVE,SHUTTLE <i>EH, Charge pressure circuit that directs hot oil out of low pressure side of drive pump</i> | |
| -- | 84137GT | SEAL KIT, VALVE 84129 | |
| 9 | 77508GT | VALVE,BI-DIRECTIONAL FLOW <i>EI, Equalizes pressure on both sides of divider/combiner valve EJ</i> | |
| -- | 89310GT | SEAL KIT, SOLENOID VALVE | |
| 10 | 52726GT | VALVE,FLOW DIVIDER/COMBINER <i>EJ, Controls flow to drive motors in forward and reverse</i> | |
| -- | 84135GT | SEAL KIT, VALVE | |

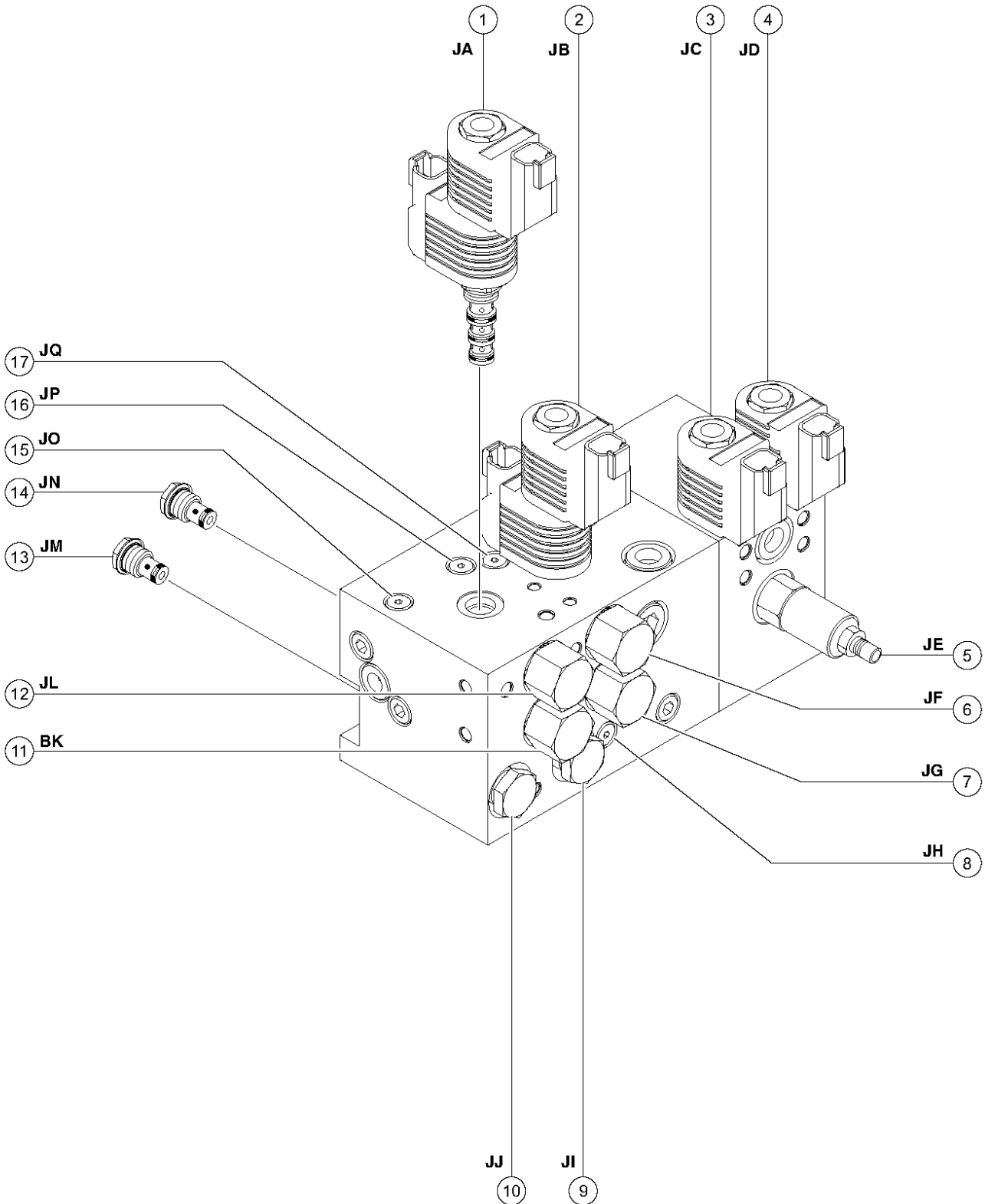
702.1 2WD Steer/Oscillate Manifold (to SN 989)



702.1 2WD Steer/Oscillate Manifold (to SN 989)

| Item | Part No. | Description | Qty. | Item | Part No. | Description | Qty. |
|------|----------|--|------|------|----------|--|------|
| -- | | for a complete replacement of manifold 70243 or 88115, please order part 122096 (refer to 702.2) | | 14 | 77490GT | VALVE,CHECK 65 PSI,(88115) <i>BN, Prevents steer cylinder from moving when not steering</i> | |
| -- | 88113GT | MANIFOLD,OSCILLATE <i>includes items 3-5</i> | | 15 | 27807GT | VALVE,CHECK*** <i>BO, Load sensing circuit, right-side steer cylinder retract</i> | |
| 1 | 77492GT | VALVE,SOLENOID 3 POS 4 WAY <i>BA, Steer left/right, right-side steer cylinder</i> | | -- | 110200GT | SEAL KIT, VALVE, #4 | |
| -- | 72047GT | SEAL KIT, SOLENOID VALVE | | 16 | 27807GT | VALVE,CHECK*** <i>BP, Load sensing circuit, right-side steer cylinder extend</i> | |
| 2 | 77492GT | VALVE,SOLENOID 3 POS 4 WAY <i>BB, Steer left/right, left-side steer cylinder</i> | | -- | 110200GT | SEAL KIT, VALVE, #4 | |
| -- | 72047GT | SEAL KIT, SOLENOID VALVE | | 17 | 27807GT | VALVE,CHECK*** <i>BQ, Load sensing circuit, left-side steer cylinder extend</i> | |
| 3 | 77493GT | VALVE,SOLENOID 2 POS.3 WAY <i>BC, Oscillate cylinder, left side</i> | | -- | 110200GT | SEAL KIT, VALVE, #4 | |
| -- | 52943GT | NUT,SOLENOID VALVE COIL | | | | | |
| -- | 72043GT | SEAL KIT,SOLENOID VALVE | | | | | |
| 4 | 77493GT | VALVE,SOLENOID 2 POS.3 WAY <i>BD, Oscillate cylinder, right side</i> | | | | | |
| -- | 52943GT | NUT,SOLENOID VALVE COIL | | | | | |
| -- | 72043GT | SEAL KIT,SOLENOID VALVE | | | | | |
| 5 | 77494GT | VALVE,RELIEF 750 PSI (88113) <i>BE, Oscillate circuit</i> | | | | | |
| 6 | 77491GT | VALVE,FLOW REGULATOR 2.3 GPM <i>BF, Left-side steer cylinder extend circuit</i> | | | | | |
| -- | 74902GT | SEAL KIT | | | | | |
| 7 | 52615GT | VALVE,FLOW REGULATOR 1.2 GPM <i>BG, Left-side steer cylinder retract circuit</i> | | | | | |
| -- | 74902GT | SEAL KIT | | | | | |
| 8 | 27807GT | VALVE,CHECK*** <i>BH, Load sensing circuit, left-side steer cylinder retract</i> | | | | | |
| -- | 110200GT | SEAL KIT, VALVE, #4 | | | | | |
| 9 | 77490GT | VALVE,CHECK 65 PSI,(88115) <i>BI, Prevents steer cylinder from moving when not steering</i> | | | | | |
| -- | 74902GT | SEAL KIT | | | | | |
| 10 | 77490GT | VALVE,CHECK 65 PSI,(88115) <i>BJ, Prevents steer cylinder from moving when not steering</i> | | | | | |
| -- | 74902GT | SEAL KIT | | | | | |
| 11 | 77491GT | VALVE,FLOW REGULATOR 2.3 GPM <i>BK, Right side steer cylinder extend circuit</i> | | | | | |
| -- | 74902GT | SEAL KIT | | | | | |
| 12 | 52615GT | VALVE,FLOW REGULATOR 1.2 GPM <i>BL, Right side steer cylinder retract circuit</i> | | | | | |
| -- | 74902GT | SEAL KIT | | | | | |
| 13 | 77490GT | VALVE,CHECK 65 PSI,(88115) <i>BM, Prevents steer cylinder from moving when not steering</i> | | | | | |

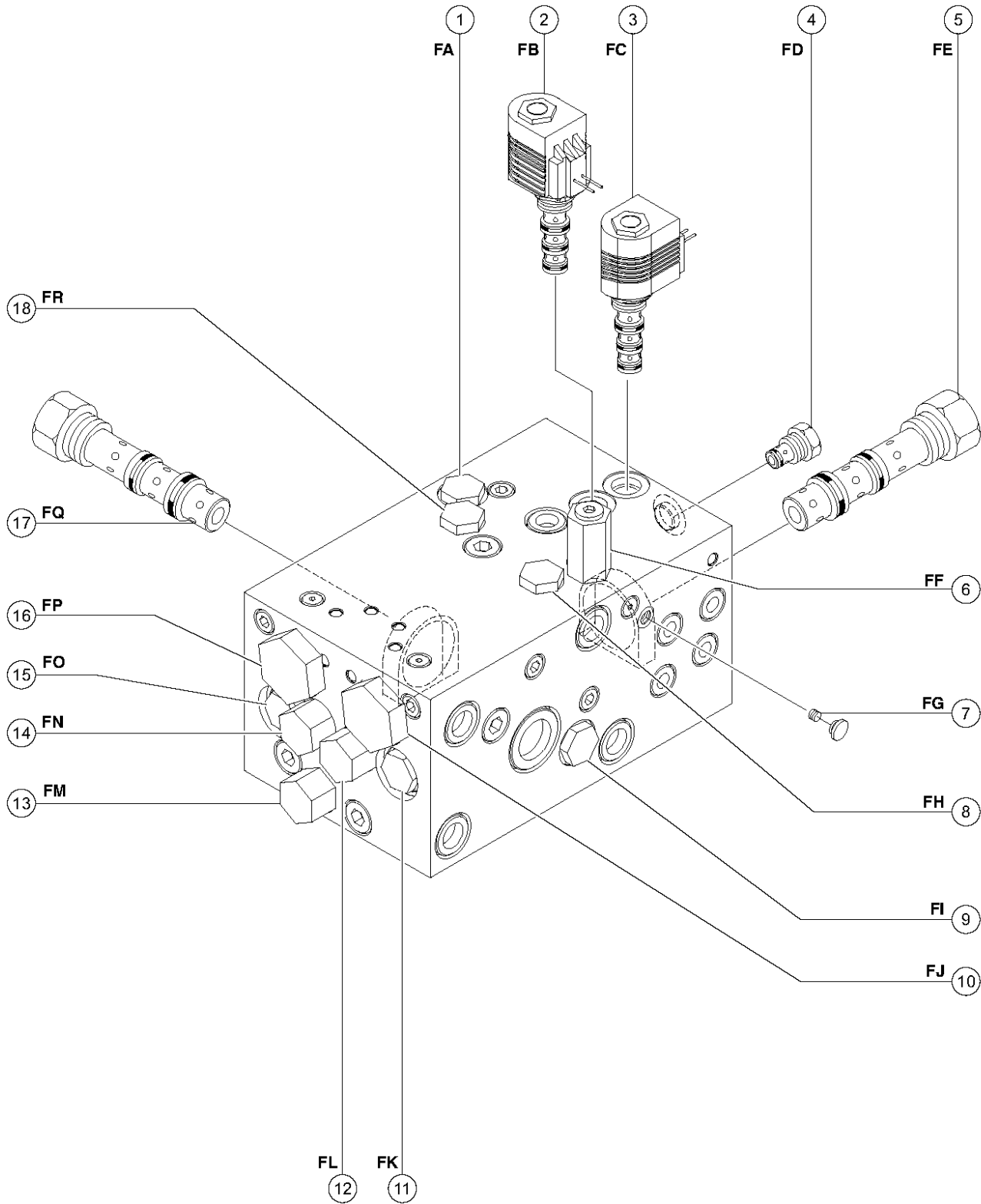
702.2 2WD Steer/Oscillate Manifold (from SN 990)



702.2 2WD Steer/Oscillate Manifold (from SN 990)

| Item | Part No. | Description | Qty. | Item | Part No. | Description | Qty. |
|------|----------|---|------|------|----------|--|------|
| -- | 122096GT | MANIFOLD,2 WHEEL STEER/OSC. <i>Complete</i> | | -- | 74902GT | SEAL KIT | |
| -- | 88113GT | MANIFOLD,OSCILLATE <i>includes items 3-5</i> | | 11 | 19470GT | VALVE,FLOW REGULATOR <i>JK, Right side steer cylinder extend circuit</i> | |
| -- | 122134GT | 2WS MANIFOLD W/O OSC. <i>includes items 1, 2, 6-17</i> | | -- | 74902GT | SEAL KIT | |
| 1 | 77492GT | VALVE,SOLENOID 3 POS 4 WAY <i>JA, Steer left/right, right-side steer cylinder; from 990 to SN 1290</i> | | 12 | 27051GT | VALVE,FLOW REGULATOR <i>JL, Right side steer cylinder retract circuit; from SN 1291</i> | |
| -- | 72047GT | SEAL KIT, SOLENOID VALVE <i>(use with part 77492); from 990 to SN 1290</i> | | -- | 19470GT | VALVE,FLOW REGULATOR <i>from SN 990 to 1290</i> | |
| -- | 52943GT | NUT,SOLENOID VALVE COIL <i>(use with part 77492); from 990 to SN 1290</i> | | -- | 74902GT | SEAL KIT | |
| -- | 122121GT | SOLENOID VALVE <i>from SN 1291</i> | | 13 | 77490GT | VALVE,CHECK 65 PSI,(88115) <i>JM, Prevents steer cylinder from moving when not steering</i> | |
| -- | 122120GT | SEAL KIT,SOLENOID VALVE <i>(use with part 122121); from SN 1291</i> | | 14 | 77490GT | VALVE,CHECK 65 PSI,(88115) <i>JN, Prevents steer cylinder from moving when not steering</i> | |
| -- | 122198GT | SCREW,FLANGE,HHC,3/8-16X 5/8 <i>(use with part 122121); from SN 1291</i> | | 15 | 27807GT | VALVE,CHECK*** <i>JO, Load sensing circuit, right-side steer cylinder retract</i> | |
| 2 | 122121GT | SOLENOID VALVE <i>JB, Steer left/right, left-side steer cylinder</i> | | -- | 110200GT | SEAL KIT, VALVE, #4 | |
| -- | 122120GT | SEAL KIT,SOLENOID VALVE | | 16 | 27807GT | VALVE,CHECK*** <i>JP, Load sensing circuit, right-side steer cylinder extend</i> | |
| -- | 122198GT | SCREW,FLANGE,HHC,3/8-16X 5/8 | | -- | 110200GT | SEAL KIT, VALVE, #4 | |
| 3 | 77493GT | VALVE,SOLENOID 2 POS.3 WAY <i>JC, Oscillate cylinder, left side</i> | | 17 | 27807GT | VALVE,CHECK*** <i>JQ, Load sensing circuit, left-side steer cylinder extend</i> | |
| -- | 72043GT | SEAL KIT,SOLENOID VALVE | | -- | 110200GT | SEAL KIT, VALVE, #4 | |
| 4 | 77493GT | VALVE,SOLENOID 2 POS.3 WAY <i>JD, Oscillate cylinder, right side</i> | | | | | |
| -- | 72043GT | SEAL KIT,SOLENOID VALVE | | | | | |
| 5 | 77494GT | VALVE,RELIEF 750 PSI (88113) <i>JE, Oscillate circuit</i> | | | | | |
| 6 | 19470GT | VALVE,FLOW REGULATOR <i>JF, Left-side steer cylinder extend circuit</i> | | | | | |
| -- | 74902GT | SEAL KIT | | | | | |
| 7 | 27051GT | VALVE,FLOW REGULATOR <i>JG, Left-side steer cylinder retract circuit; from SN 1291</i> | | | | | |
| -- | 19470GT | VALVE,FLOW REGULATOR <i>from SN 990 to 1290</i> | | | | | |
| -- | 74902GT | SEAL KIT | | | | | |
| 8 | 27807GT | VALVE,CHECK*** <i>JH, Load sensing circuit, left-side steer cylinder retract</i> | | | | | |
| -- | 110200GT | SEAL KIT, VALVE, #4 | | | | | |
| 9 | 77490GT | VALVE,CHECK 65 PSI,(88115) <i>JI, Prevents steer cylinder from moving when not steering</i> | | | | | |
| -- | 74902GT | SEAL KIT | | | | | |
| 10 | 77490GT | VALVE,CHECK 65 PSI,(88115) <i>JJ, Prevents steer cylinder from moving when not steering</i> | | | | | |

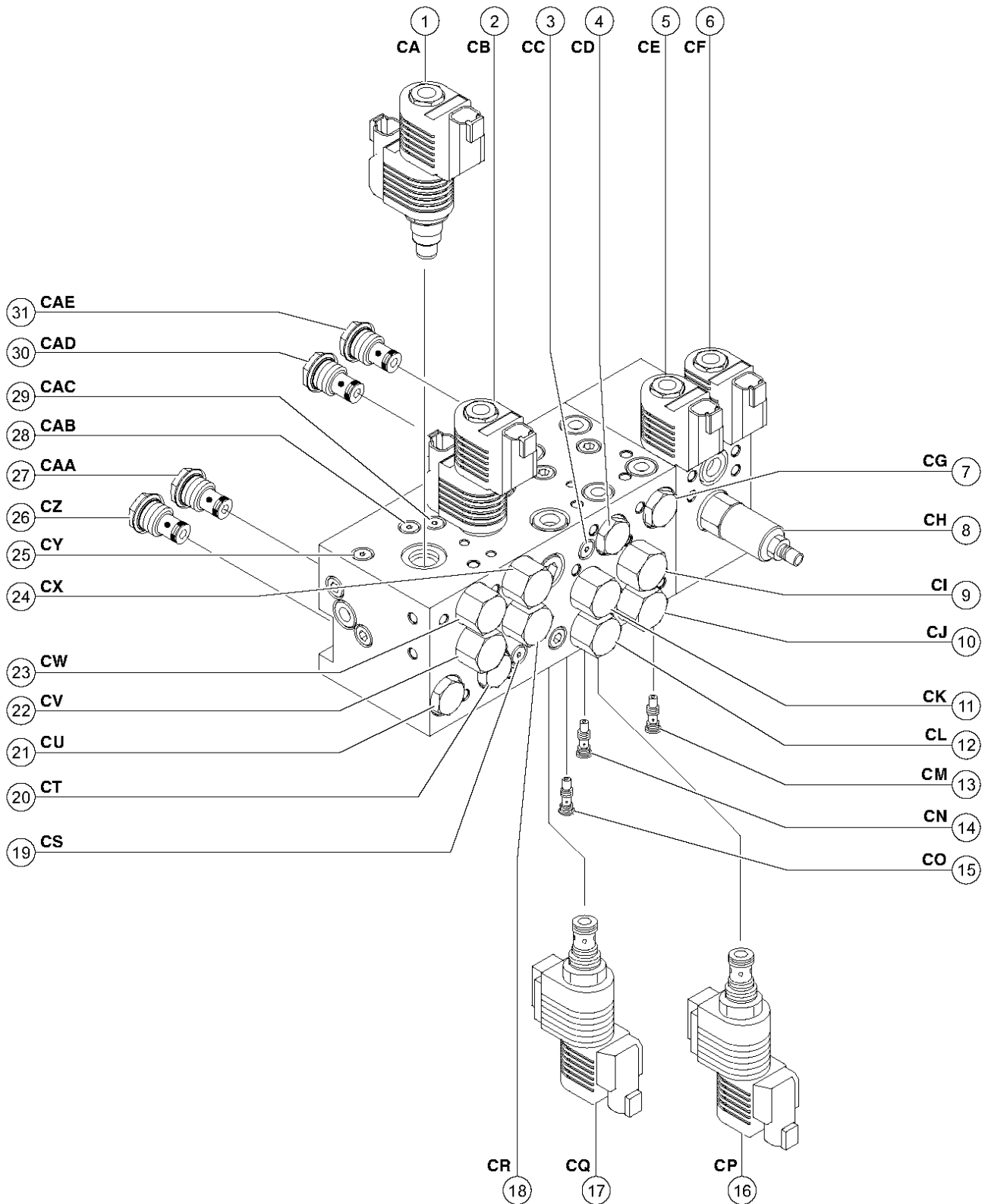
703.1 4WD Traction Manifold



703.1 4WD Traction Manifold

| Item | Part No. | Description | Qty. | Item | Part No. | Description | Qty. |
|------|----------|---|------|------|----------|--|------|
| -- | 70241GT | MANIFOLD,TRACTION,4WD | | 15 | 69873GT | VALVE, CHECK <i>FO, Drive motor anti-cavitation</i> | |
| 1 | 27836GT | VALVE,CHECK,5 PSI <i>FA, Drive motor anti-cavitation</i> | | -- | 74902GT | SEAL KIT | |
| 2 | 77489GT | VALVE,SOLENOID 2 POS.3 WAY <i>FB, Two-speed drive motor shift</i> | | 16 | 62252GT | VALVE, FLOW DIVIDER COMBINER <i>FP, Controls flow to circle end drive motors in forward and reverse</i> | |
| -- | 52943GT | NUT,SOLENOID VALVE COIL | | -- | 84135GT | SEAL KIT, VALVE | |
| -- | 72043GT | SEAL KIT,SOLENOID VALVE | | 17 | 52726GT | VALVE,FLOW DIVIDER/COMBINER <i>FQ, Controls flow to divider/combiner valves FJ and FP</i> | |
| -- | 77735GT | COIL, SOLENOID VALVE | | -- | 84135GT | SEAL KIT, VALVE | |
| 3 | 77489GT | VALVE,SOLENOID 2 POS.3 WAY <i>FC, Brake release</i> | | 18 | 69873GT | VALVE, CHECK <i>FR, Drive motor anti-cavitation</i> | |
| -- | 52943GT | NUT,SOLENOID VALVE COIL | | -- | 74902GT | SEAL KIT | |
| -- | 72043GT | SEAL KIT,SOLENOID VALVE | | | | | |
| -- | 77735GT | COIL, SOLENOID VALVE | | | | | |
| 4 | 69873GT | VALVE, CHECK <i>FD, Keeps brakes released in case of temporary loss of charge pressure</i> | | | | | |
| -- | 74902GT | SEAL KIT | | | | | |
| 5 | 27761GT | VALVE,SHUTTLE <i>FE, Charge pressure circuit that directs hot oil out of low pressure side of drive pump</i> | | | | | |
| -- | 84134GT | SEAL KIT, VALVE | | | | | |
| 6 | 62253GT | VALVE,RELIEF,250 PSI <i>FF, Charge pressure circuit</i> | | | | | |
| -- | 74902GT | SEAL KIT | | | | | |
| 7 | 102496GT | ORIFICE,PLUG 0.030 <i>FG, Brake and two-speed circuit</i> | | | | | |
| 8 | 69873GT | VALVE, CHECK <i>FH, Drive motor anti-cavitation</i> | | | | | |
| -- | 74902GT | SEAL KIT | | | | | |
| 9 | 27836GT | VALVE,CHECK,5 PSI <i>FI, Drive motor anti-cavitation</i> | | | | | |
| 10 | 62252GT | VALVE, FLOW DIVIDER COMBINER <i>FJ, Controls flow to square-end drive motors in forward and reverse</i> | | | | | |
| -- | 84135GT | SEAL KIT, VALVE | | | | | |
| 11 | 69873GT | VALVE, CHECK <i>FK, Drive motor anti-cavitation</i> | | | | | |
| 12 | 52723GT | VALVE-FLOW REGULATOR 2 GPM <i>FL, Equalizes pressure on both sides of divider/combiner valve FJ</i> | | | | | |
| -- | 89310GT | SEAL KIT, SOLENOID VALVE | | | | | |
| 13 | 52723GT | VALVE-FLOW REGULATOR 2 GPM <i>FM, Equalizes pressure on both sides of divider/combiner valve FQ</i> | | | | | |
| -- | 89310GT | SEAL KIT, SOLENOID VALVE | | | | | |
| 14 | 52723GT | VALVE-FLOW REGULATOR 2 GPM <i>FN, Equalizes pressure on both sides of divider/combiner valve FP</i> | | | | | |
| -- | 89310GT | SEAL KIT, SOLENOID VALVE | | | | | |

704.1 4WD Steer/Oscillate Manifold (to SN 989)



704.1 4WD Steer/Oscillate Manifold (to SN 989)

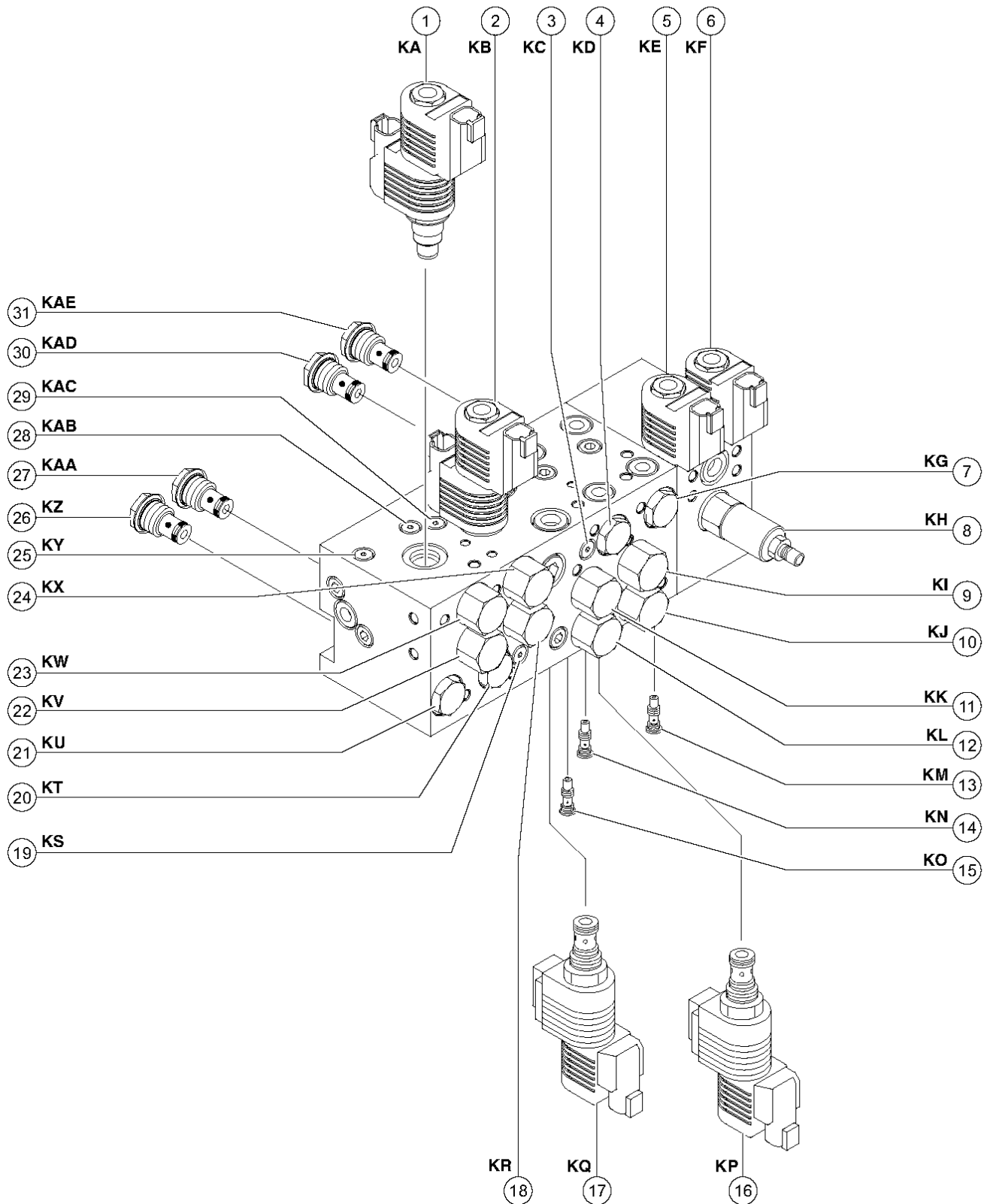
| Item | Part No. | Description | Qty. | Item | Part No. | Description | Qty. |
|------|----------|--|------|------|----------|--|------|
| -- | 88113GT | MANIFOLD,OSCILLATE <i>includes items 5, 6, and 8</i> | | 13 | 27807GT | VALVE,CHECK*** <i>CM, Load sensing circuit, circle end left side steer cylinder retract</i> | |
| -- | 88114GT | MANIFOLD,4 WHEEL STEER <i>includes items 1-4, 7, and 9-31</i> | | -- | 110200GT | SEAL KIT, VALVE, #4 | |
| 1 | 77492GT | VALVE,SOLENOID 3 POS 4 WAY <i>CA, Steer left/right, square end right side steer cylinder</i> | | 14 | 27807GT | VALVE,CHECK*** <i>CN, Load sensing circuit, circle end left side steer cylinder extend</i> | |
| -- | 52943GT | NUT,SOLENOID VALVE COIL | | -- | 110200GT | SEAL KIT, VALVE, #4 | |
| -- | 72047GT | SEAL KIT, SOLENOID VALVE | | 15 | 27807GT | VALVE,CHECK*** <i>CO, Load sensing circuit, circle end right-side steer cylinder extend</i> | |
| 2 | 77492GT | VALVE,SOLENOID 3 POS 4 WAY <i>CB, Steer left/right, square end left side steer cylinder</i> | | -- | 110200GT | SEAL KIT, VALVE, #4 | |
| -- | 52943GT | NUT,SOLENOID VALVE COIL | | 16 | 77492GT | VALVE,SOLENOID 3 POS 4 WAY <i>CP, Steer left/right, circle end left-side steer cylinder</i> | |
| -- | 72047GT | SEAL KIT, SOLENOID VALVE | | -- | 52943GT | NUT,SOLENOID VALVE COIL | |
| 3 | 27807GT | VALVE,CHECK*** <i>CC, Load sensing circuit, circle end right side steer cylinder retract</i> | | -- | 72047GT | SEAL KIT, SOLENOID VALVE | |
| -- | 110200GT | SEAL KIT, VALVE, #4 | | 17 | 77492GT | VALVE,SOLENOID 3 POS 4 WAY <i>CQ, Steer left/right, circle end right-side steer cylinder</i> | |
| 4 | 77490GT | VALVE,CHECK 65 PSI,(88115) <i>CD, Prevents steer cylinder from moving when not steering</i> | | -- | 52943GT | NUT,SOLENOID VALVE COIL | |
| 5 | 77493GT | VALVE,SOLENOID 2 POS.3 WAY <i>CE, Oscillate cylinder, left side</i> | | -- | 72047GT | SEAL KIT, SOLENOID VALVE | |
| -- | 52943GT | NUT,SOLENOID VALVE COIL | | 18 | 52615GT | VALVE,FLOW REGULATOR 1.2 GPM <i>CR, Square end, left-side steer cylinder retract circuit</i> | |
| -- | 72043GT | SEAL KIT,SOLENOID VALVE | | -- | 74902GT | SEAL KIT | |
| 6 | 77493GT | VALVE,SOLENOID 2 POS.3 WAY <i>CF, Oscillate cylinder, right side</i> | | 19 | 27807GT | VALVE,CHECK*** <i>CS, Load sensing circuit, square end left-side steer cylinder retract</i> | |
| -- | 52943GT | NUT,SOLENOID VALVE COIL | | -- | 110200GT | SEAL KIT, VALVE, #4 | |
| -- | 72043GT | SEAL KIT,SOLENOID VALVE | | 20 | 77490GT | VALVE,CHECK 65 PSI,(88115) <i>CT, Prevents steer cylinder from moving when not steering</i> | |
| 7 | 77490GT | VALVE,CHECK 65 PSI,(88115) <i>CG, Prevents steer cylinder from moving when not steering</i> | | 21 | 77490GT | VALVE,CHECK 65 PSI,(88115) <i>CU, Prevents steer cylinder from moving when not steering</i> | |
| 8 | 77494GT | VALVE,RELIEF 750 PSI (88113) <i>CH, Oscillate circuit</i> | | 22 | 77491GT | VALVE,FLOW REGULATOR 2.3 GPM <i>CV, Square end, right-side steer cylinder extend circuit</i> | |
| 9 | 77491GT | VALVE,FLOW REGULATOR 2.3 GPM <i>CI, Circle end, left-side steer cylinder extend circuit</i> | | -- | 74902GT | PLATE,CENTER BOTTOM SPRT ROT | |
| -- | 74902GT | SEAL KIT | | 23 | 52615GT | VALVE,FLOW REGULATOR 1.2 GPM <i>CW, Square end, right-side steer cylinder retract circuit</i> | |
| 10 | 52615GT | VALVE,FLOW REGULATOR 1.2 GPM <i>CJ, Circle end, left-side steer cylinder retract circuit</i> | | -- | 72043GT | SEAL KIT,SOLENOID VALVE | |
| -- | 74902GT | SEAL KIT | | 24 | 77491GT | VALVE,FLOW REGULATOR 2.3 GPM <i>CX, Square end, left-side steer cylinder extend circuit</i> | |
| 11 | 52615GT | VALVE,FLOW REGULATOR 1.2 GPM <i>CK, Circle end, right-side steer cylinder retract circuit</i> | | -- | 74902GT | PLATE,CENTER BOTTOM SPRT ROT | |
| -- | 74902GT | SEAL KIT | | 25 | 27807GT | VALVE,CHECK*** <i>CY, Load sensing circuit, square end right-side steer cylinder retract</i> | |
| 12 | 77491GT | VALVE,FLOW REGULATOR 2.3 GPM <i>CL, Circle end, right-side steer cylinder extend circuit</i> | | | | | |
| -- | 74902GT | SEAL KIT | | | | | |

704.1 4WD Steer/Oscillate Manifold (to SN 989)
(continued)

| Item | Part No. | Description | Qty. |
|------|----------|---|------|
| -- | 110200GT | SEAL KIT, VALVE, #4 | |
| 26 | 77490GT | VALVE,CHECK 65 PSI,(88115) <i>CZ, Prevents steer cylinder from moving when not steering</i> | |
| 27 | 77490GT | VALVE,CHECK 65 PSI,(88115) <i>CAA, Prevents steer cylinder from moving when not steering</i> | |
| 28 | 27807GT | VALVE,CHECK*** <i>CAB, Load sensing circuit, square end right-side steer cylinder extend</i> | |
| -- | 110200GT | SEAL KIT, VALVE, #4 | |
| 29 | 27807GT | VALVE,CHECK*** <i>CAC, Load sensing circuit, square end left-side steer cylinder extend</i> | |
| -- | 110200GT | SEAL KIT, VALVE, #4 | |
| 30 | 77490GT | VALVE,CHECK 65 PSI,(88115) <i>CAD, Prevents steer cylinder from moving when not steering</i> | |
| 31 | 77490GT | VALVE,CHECK 65 PSI,(88115) <i>CAE, Prevents steer cylinder from moving when not steering</i> | |

This Page Intentionally Left Blank

704.2 4WD Steer/Oscillate Manifold (from SN 990)



704.2 4WD Steer/Oscillate Manifold (from SN 990)

| Item | Part No. | Description | Qty. | Item | Part No. | Description | Qty. |
|------|----------|--|------|------|----------|--|------|
| -- | 122097GT | MANIFOLD,4 WHEEL STEER/OSC. <i>Complete</i> | | 10 | 27051GT | VALVE,FLOW REGULATOR <i>KJ, Circle end, left-side steer cylinder retract circuit; from SN 1301</i> | |
| -- | 88113GT | MANIFOLD,OSCILLATE <i>includes items 5, 6, and 8</i> | | -- | 19470GT | VALVE,FLOW REGULATOR <i>from 990 to SN 1300</i> | |
| -- | 122133GT | 4WS MANIFOLD W/O OSC. <i>includes items 1-4, 7, and 9-31</i> | | -- | 74902GT | SEAL KIT | |
| 1 | 77492GT | VALVE,SOLENOID 3 POS 4 WAY <i>KA, Steer left/right, square end right side steer cylinder; from SN 990 to 1300</i> | | 11 | 27051GT | VALVE,FLOW REGULATOR <i>KK, Circle end, right-side steer cylinder retract circuit; from SN 1301</i> | |
| -- | 72047GT | SEAL KIT, SOLENOID VALVE <i>(use with part 77492); from 990 to SN 1300</i> | | -- | 19470GT | VALVE,FLOW REGULATOR <i>from 990 to SN 1300</i> | |
| -- | 52943GT | NUT,SOLENOID VALVE COIL <i>(use with part 77492); from 990 to SN 1300</i> | | -- | 74902GT | SEAL KIT | |
| -- | 122121GT | SOLENOID VALVE <i>from SN 1301</i> | | 12 | 19470GT | VALVE,FLOW REGULATOR <i>KL, Circle end, right-side steer cylinder extend circuit</i> | |
| -- | 122120GT | SEAL KIT,SOLENOID VALVE <i>(use with part 122121); from SN 1301</i> | | -- | 74902GT | SEAL KIT | |
| -- | 122148GT | COIL,SOLENOID VALVE,20W <i>(use with part 122121); from SN 1301</i> | | 13 | 27807GT | VALVE,CHECK*** <i>KM, Load sensing circuit, circle end left side steer cylinder retract</i> | |
| 2 | 122121GT | SOLENOID VALVE <i>KB, Steer left/right, square end left side steer cylinder</i> | | -- | 110200GT | SEAL KIT, VALVE, #4 | |
| -- | 122120GT | SEAL KIT,SOLENOID VALVE | | 14 | 27807GT | VALVE,CHECK*** <i>KN, Load sensing circuit, circle end left side steer cylinder extend</i> | |
| -- | 122148GT | COIL,SOLENOID VALVE,20W | | -- | 110200GT | SEAL KIT, VALVE, #4 | |
| -- | 52943GT | NUT,SOLENOID VALVE COIL | | 15 | 27807GT | VALVE,CHECK*** <i>KO, Load sensing circuit, circle end right-side steer cylinder extend</i> | |
| 3 | 27807GT | VALVE,CHECK*** <i>KC, Load sensing circuit, circle end right side steer cylinder retract</i> | | -- | 110200GT | SEAL KIT, VALVE, #4 | |
| -- | 110200GT | SEAL KIT, VALVE, #4 | | 16 | 122121GT | SOLENOID VALVE <i>KP, Steer left/right, circle end left-side steer cylinder</i> | |
| 4 | 77490GT | VALVE,CHECK 65 PSI,(88115) <i>KD, Prevents steer cylinder from moving when not steering</i> | | -- | 122120GT | SEAL KIT,SOLENOID VALVE | |
| 5 | 77493GT | VALVE,SOLENOID 2 POS.3 WAY <i>KE, Oscillate cylinder, left side</i> | | -- | 122148GT | COIL,SOLENOID VALVE,20W | |
| -- | 52943GT | NUT,SOLENOID VALVE COIL | | -- | 52943GT | NUT,SOLENOID VALVE COIL | |
| -- | 72043GT | SEAL KIT,SOLENOID VALVE | | 17 | 122121GT | SOLENOID VALVE <i>KQ, Steer left/right, circle end right-side steer cylinder</i> | |
| 6 | 77493GT | VALVE,SOLENOID 2 POS.3 WAY <i>KF, Oscillate cylinder, right side</i> | | -- | 122120GT | SEAL KIT,SOLENOID VALVE | |
| -- | 52943GT | NUT,SOLENOID VALVE COIL | | -- | 122148GT | COIL,SOLENOID VALVE,20W | |
| -- | 72043GT | SEAL KIT,SOLENOID VALVE | | -- | 52943GT | NUT,SOLENOID VALVE COIL | |
| 7 | 77490GT | VALVE,CHECK 65 PSI,(88115) <i>KG, Prevents steer cylinder from moving when not steering</i> | | 18 | 27051GT | VALVE,FLOW REGULATOR <i>KR, Square end, left-side steer cylinder retract circuit; from SN 1301</i> | |
| 8 | 77494GT | VALVE,RELIEF 750 PSI (88113) <i>KH, Oscillate circuit</i> | | -- | 19470GT | VALVE,FLOW REGULATOR <i>from 990 to SN 1300</i> | |
| 9 | 19470GT | VALVE,FLOW REGULATOR <i>KI, Circle end, left-side steer cylinder extend circuit</i> | | -- | 74902GT | SEAL KIT | |
| -- | 74902GT | SEAL KIT | | 19 | 27807GT | VALVE,CHECK*** <i>KS, Load sensing circuit, square end left-side steer cylinder retract</i> | |
| | | | | -- | 110200GT | SEAL KIT, VALVE, #4 | |

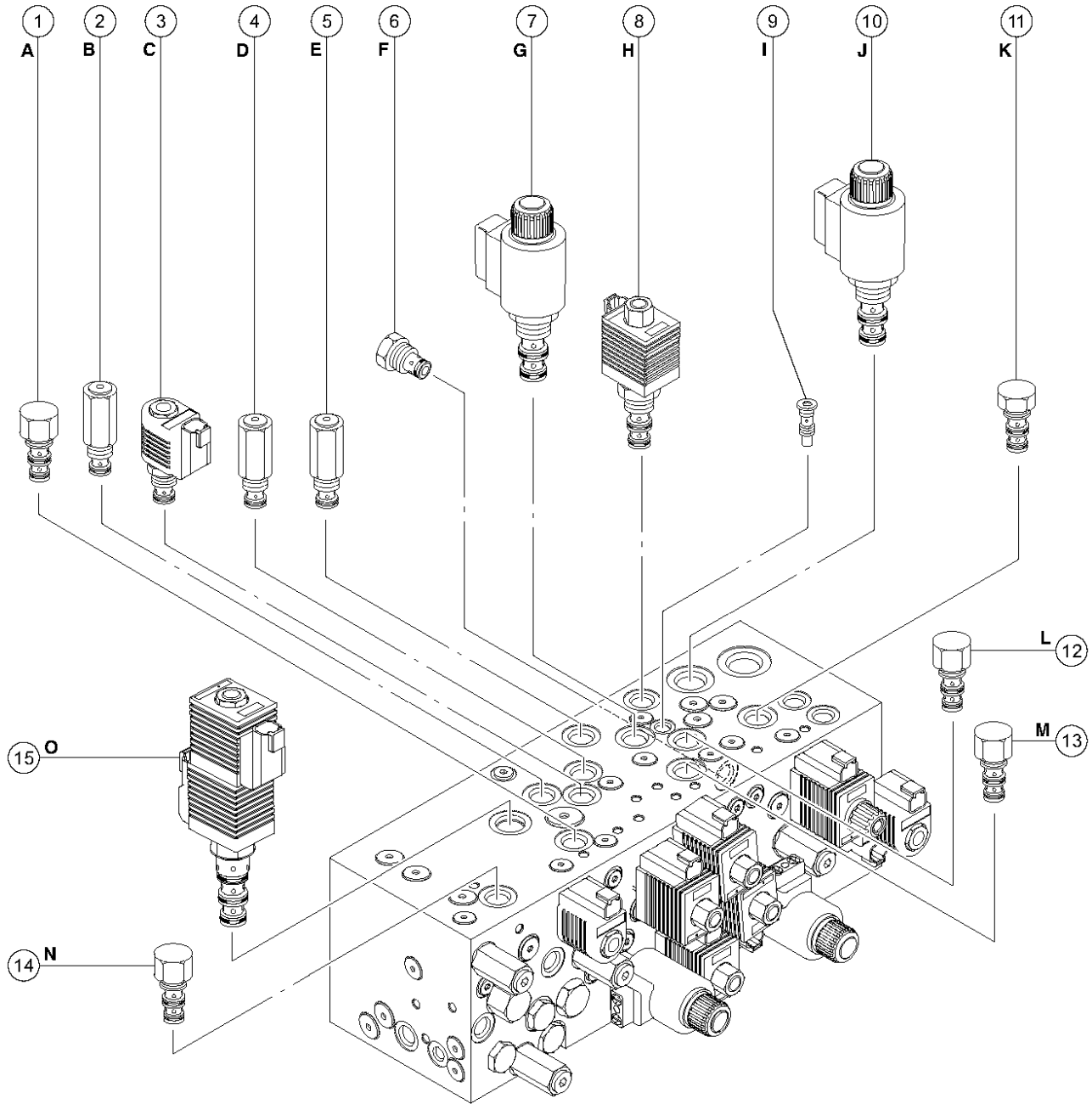
704.2 4WD Steer/Oscillate Manifold (from SN 990) (continued)

| Item | Part No. | Description | Qty. |
|------|----------|--|------|
| 20 | 77490GT | VALVE,CHECK 65 PSI,(88115) <i>KT, Prevents steer cylinder from moving when not steering</i> | |
| 21 | 77490GT | VALVE,CHECK 65 PSI,(88115) <i>KU, Prevents steer cylinder from moving when not steering</i> | |
| 22 | 19470GT | VALVE,FLOW REGULATOR <i>KV, Square end, right-side steer cylinder extend circuit</i> | |
| -- | 74092GT | PLATE,CENTER BOTTOM SPRT ROT | |
| 23 | 27051GT | VALVE,FLOW REGULATOR <i>KW, Square end, right-side steer cylinder retract circuit; from SN 1301</i> | |
| -- | 19470GT | VALVE,FLOW REGULATOR <i>from 990 to SN 1300</i> | |
| -- | 72043GT | SEAL KIT,SOLENOID VALVE | |
| 24 | 19470GT | VALVE,FLOW REGULATOR <i>KX, Square end, left-side steer cylinder extend circuit</i> | |
| -- | 74092GT | PLATE,CENTER BOTTOM SPRT ROT | |
| 25 | 27807GT | VALVE,CHECK*** <i>KY, Load sensing circuit, square end right-side steer cylinder retract</i> | |
| -- | 110200GT | SEAL KIT, VALVE, #4 | |
| 26 | 77490GT | VALVE,CHECK 65 PSI,(88115) <i>KZ, Prevents steer cylinder from moving when not steering</i> | |
| 27 | 77490GT | VALVE,CHECK 65 PSI,(88115) <i>KAA, Prevents steer cylinder from moving when not steering</i> | |
| 28 | 27807GT | VALVE,CHECK*** <i>KAB, Load sensing circuit, square end right-side steer cylinder extend</i> | |
| -- | 110200GT | SEAL KIT, VALVE, #4 | |
| 29 | 27807GT | VALVE,CHECK*** <i>KAC, Load sensing circuit, square end left-side steer cylinder extend</i> | |
| -- | 110200GT | SEAL KIT, VALVE, #4 | |
| 30 | 77490GT | VALVE,CHECK 65 PSI,(88115) <i>KAD, Prevents steer cylinder from moving when not steering</i> | |
| 31 | 77490GT | VALVE,CHECK 65 PSI,(88115) <i>KAE, Prevents steer cylinder from moving when not steering</i> | |

704.2 4WD Steer/Oscillate Manifold (from SN 990)
(continued)

This Page Intentionally Left Blank

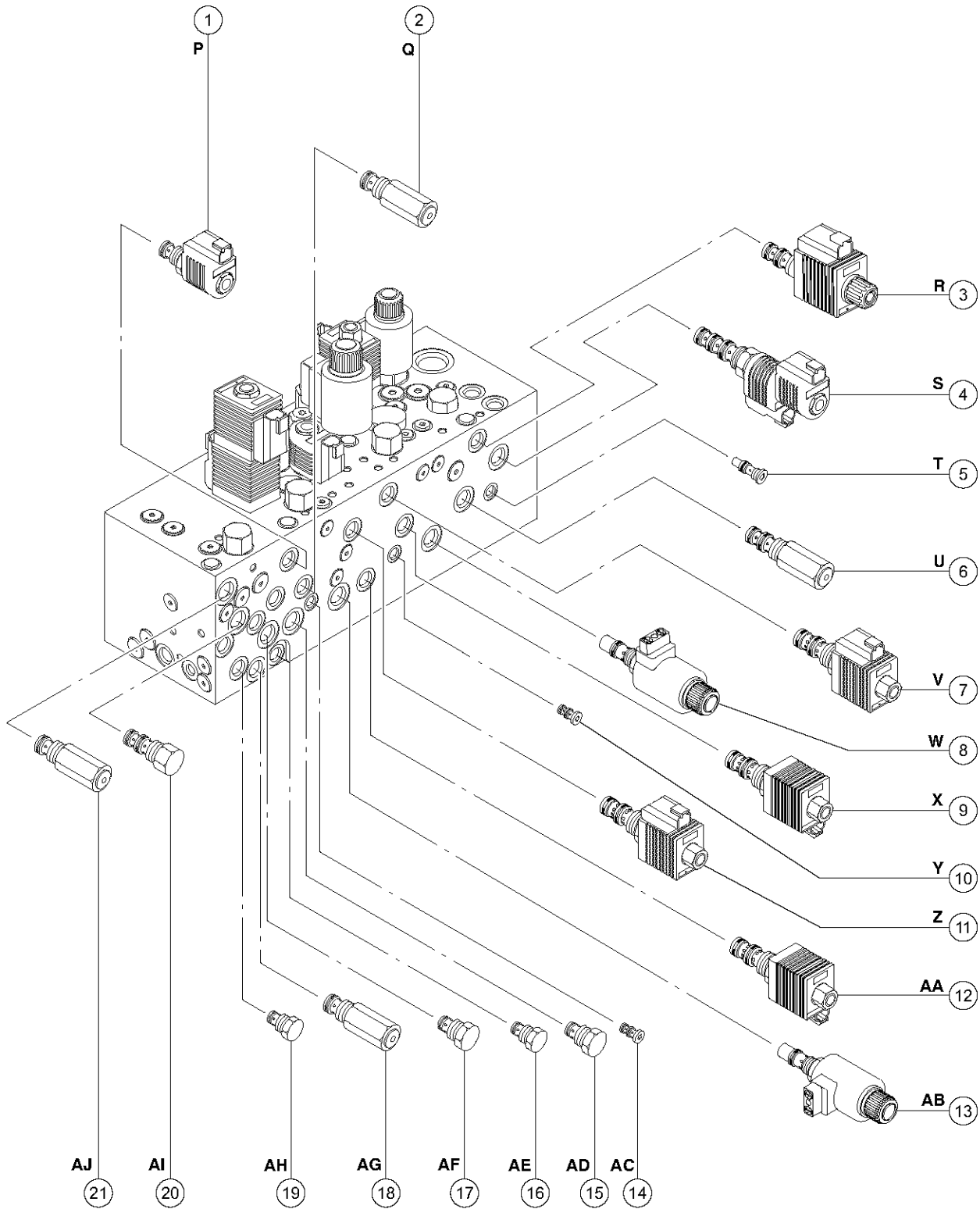
705.1 Function Manifold - View 1



705.1 Function Manifold - View 1

| Item | Part No. | Description | Qty. | Item | Part No. | Description | Qty. |
|------|----------|--|------|------|----------|---|------|
| -- | | <i>if replacing manifold 70242, order manifold 122506 and plug port PPR with part 39882</i> | | -- | 110197GT | SEAL KIT, VALVE, #10 | |
| -- | 39882GT | PLUG,HEX SOCKET,090109B-4 | | 14 | 31102GT | VALVE,FLOW REGULATOR <i>N, Controls flow to the oscillate and platform manifolds</i> | |
| -- | 122506GT | MANIFOLD,FUNCTION <i>complete</i> | | -- | 110202GT | SEAL KIT, VALVE, #10 | |
| 1 | 27802GT | VALVE,DIFFERENTIAL SENSING*** <i>A, Secondary boom up/extend and down/retract</i> | | 15 | 77498GT | VALVE,SOLENOID 3 POS 4 WAY <i>O, Secondary boom extend/retract</i> | |
| -- | 110197GT | SEAL KIT, VALVE, #10 | | -- | 110196GT | SEAL KIT, VALVE, #10 | |
| 2 | 48640GT | VALVE,RELIEF,2500 PSI <i>B, Secondary boom up</i> | | -- | 62275GT | COIL,10V | |
| -- | 74902GT | SEAL KIT | | | | | |
| 3 | 77502GT | VALVE,SOLENOID 2 POS 2 WAY <i>C, Secondary boom lift circuit</i> | | | | | |
| -- | 48883GT | PLUG,HEX,090109A-8*** <i>to SN 2674; part of service kit 218697, refer to 501.1</i> | | | | | |
| -- | 52943GT | NUT,SOLENOID VALVE COIL | | | | | |
| -- | 74902GT | SEAL KIT | | | | | |
| 4 | 48640GT | VALVE,RELIEF,2500 PSI <i>D, Secondary boom down</i> | | | | | |
| -- | 74902GT | SEAL KIT | | | | | |
| 5 | 77499GT | VALVE,RELIEF 1300 PSI (70242) <i>E, Primary boom down</i> | | | | | |
| -- | 74902GT | SEAL KIT | | | | | |
| 6 | 32975GT | VALVE,FLOW REGULATOR 0.1 GPM <i>F, Bleeds off check valves in differential sensing circuits to tank</i> | | | | | |
| -- | 74902GT | SEAL KIT | | | | | |
| 7 | 48641GT | VALVE,PROPORTIONAL, 12V ** <i>G, Primary boom up/down</i> | | | | | |
| -- | 21935GT | COIL, 12V, 19972/21623/29069 | | | | | |
| -- | 45914GT | O-RING, DO1 VALVE | | | | | |
| -- | 45921GT | RETAINER-N.C.PROPOR.SOLENOID | | | | | |
| 8 | 62254GT | VALVE,SOLENOID, 2 POS, 3 WAY <i>H, Primary boom retract</i> | | | | | |
| -- | 89310GT | SEAL KIT, SOLENOID VALVE | | | | | |
| 9 | 27807GT | VALVE,CHECK*** <i>I, Differential sensing circuit, primary boom extend/retract</i> | | | | | |
| -- | 110200GT | SEAL KIT, VALVE, #4 | | | | | |
| 10 | 77500GT | VALVE,SOLENOID 2 POS 3 WAY <i>J, Primary boom extend</i> | | | | | |
| 11 | 52714GT | VALVE,DIFFERENTIAL SENSING <i>K, Turntable rotate left/right</i> | | | | | |
| 12 | 27802GT | VALVE,DIFFERENTIAL SENSING*** <i>L, Primary boom extend/retract</i> | | | | | |
| -- | 110197GT | SEAL KIT, VALVE, #10 | | | | | |
| 13 | 27802GT | VALVE,DIFFERENTIAL SENSING*** <i>M, Primary boom up/down</i> | | | | | |

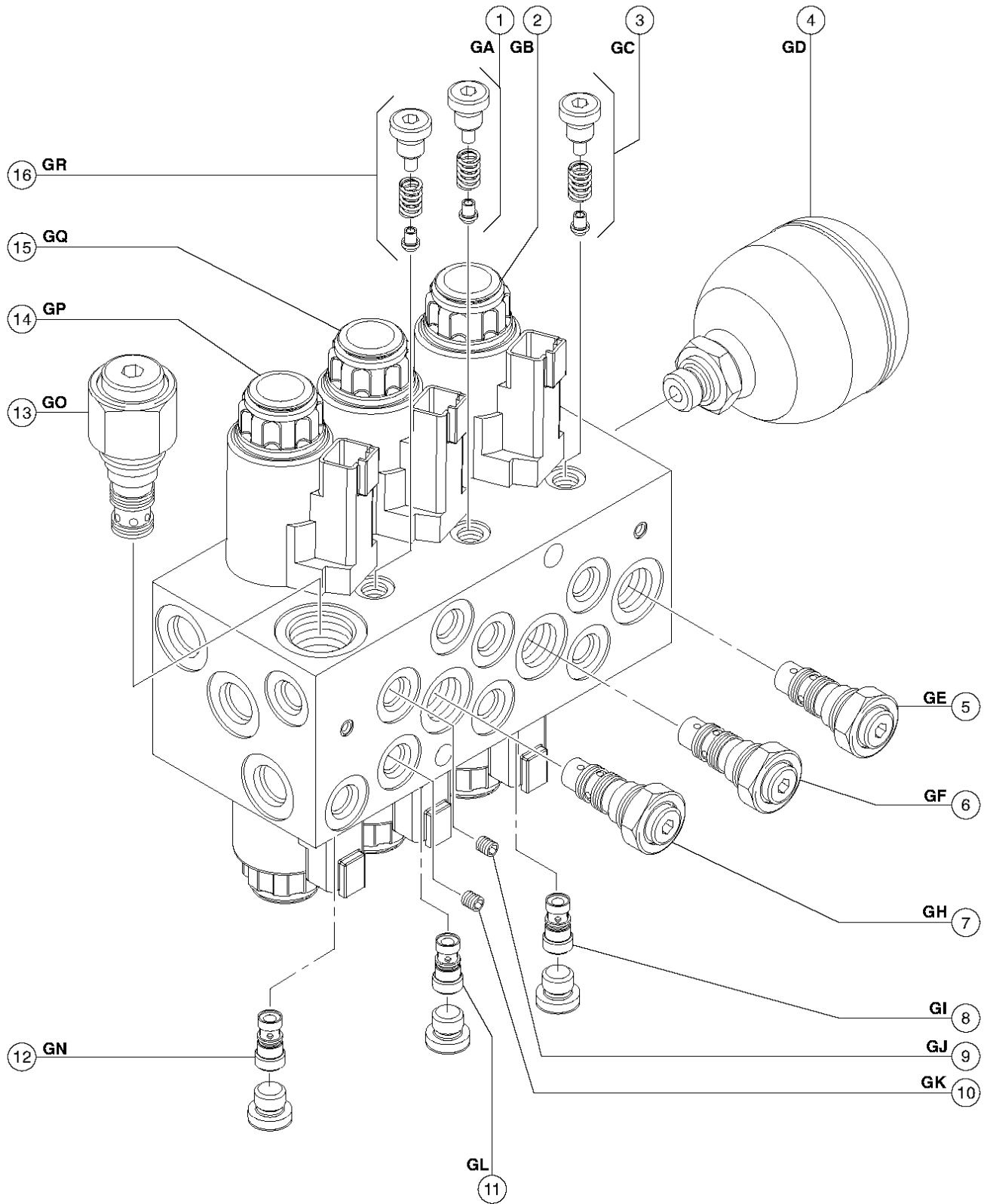
706.1 Function Manifold - View 2



706.1 Function Manifold - View 2

| Item | Part No. | Description | Qty. | Item | Part No. | Description | Qty. |
|------|----------|--|------|------|----------|--|------|
| 1 | 77502GT | VALVE,SOLENOID 2 POS 2 WAY <i>P, Secondary boom list circuit</i> | | -- | 89310GT | SEAL KIT, SOLENOID VALVE | |
| -- | 52943GT | NUT,SOLENOID VALVE COIL | | 12 | 62254GT | VALVE,SOLENOID, 2 POS, 3 WAY <i>AA, Secondary boom down</i> | |
| -- | 74902GT | SEAL KIT | | -- | 45912GT | NUT,SOLENOID VALVE 2P3W | |
| 2 | 77501GT | VALVE,RELIEF 2600 PSI (70242) <i>Q, Secondary boom extend</i> | | -- | 62275GT | COIL,10V | |
| -- | 74902GT | SEAL KIT | | -- | 89310GT | SEAL KIT, SOLENOID VALVE | |
| 3 | 62255GT | VALVE,PROPORTIONAL*** <i>R, Turntable rotate left/right</i> | | 13 | 48641GT | VALVE,PROPORTIONAL, 12V ** <i>AB, Secondary boom extend/retract</i> | |
| -- | 62274GT | COIL,12V | | -- | 21935GT | COIL, 12V, 19972/21623/29069 | |
| -- | 62276GT | NUT, SOLENOID VALVE COIL | | -- | 45914GT | O-RING, DO1 VALVE | |
| -- | 89312GT | SEAL KIT, SOLENOID VALVE | | -- | 45921GT | RETAINER-N.C.PROPOR.SOLENOID | |
| 4 | 89307GT | VALVE,SOLENOID 3POS 4WAY* <i>S, Turntable rotate left/right</i> | | 14 | 27807GT | VALVE,CHECK*** <i>AC, Differential sensing circuit, Secondary boom extend/retract</i> | |
| -- | 52943GT | NUT,SOLENOID VALVE COIL | | -- | 110200GT | SEAL KIT, VALVE, #4 | |
| -- | 62273GT | COIL,GREEN W/ 2 PIN CONNECTOR* | | 15 | 27836GT | VALVE,CHECK,5 PSI <i>AD, Blocks flow from auxiliary pump #1 to function pump #1</i> | |
| -- | 72047GT | SEAL KIT, SOLENOID VALVE | | -- | 110194GT | SEAL KIT, VALVE, #10 | |
| 5 | 27807GT | VALVE,CHECK*** <i>T, Differential sensing circuit, turntable rotate</i> | | 16 | 69873GT | VALVE, CHECK <i>AE, Blocks flow from function pump #1 to auxiliary pump #1</i> | |
| -- | 110200GT | SEAL KIT, VALVE, #4 | | -- | 74902GT | SEAL KIT | |
| 6 | 77495GT | VALVE,RELIEF 1300 PSI (70242) <i>U, Primary boom extend</i> | | 17 | 69873GT | VALVE, CHECK <i>AF, Blocks flow from auxiliary pump #2 to function pump #2</i> | |
| -- | 110194GT | SEAL KIT, VALVE, #10 | | -- | 74902GT | SEAL KIT | |
| 7 | 62254GT | VALVE,SOLENOID, 2 POS, 3 WAY <i>V, Primary boom up</i> | | 18 | 62372GT | VALVE,RELIEF,3000 PSI <i>AG, Oscillate and platform manifold system relief</i> | |
| -- | 45912GT | NUT,SOLENOID VALVE 2P3W | | -- | 74902GT | SEAL KIT | |
| -- | 62275GT | COIL,10V | | 19 | 69873GT | VALVE, CHECK <i>AH, Blocks flow from function pump #2 to auxiliary pump #2</i> | |
| -- | 89310GT | SEAL KIT, SOLENOID VALVE | | -- | 74902GT | SEAL KIT | |
| 8 | 48641GT | VALVE,PROPORTIONAL, 12V ** <i>W, Primary boom extend/retract</i> | | 20 | 27804GT | VALVE,DIFFERENTIAL SENSING*** <i>AI, Meters flow to functions</i> | |
| -- | 21935GT | COIL, 12V, 19972/21623/29069 | | -- | 110201GT | SEAL KIT, VALVE, #10 | |
| -- | 45914GT | O-RING, DO1 VALVE | | 21 | 77496GT | VALVE,RELIEF 3200 PSI (70542) <i>AJ, Boom functions system relief</i> | |
| -- | 45921GT | RETAINER-N.C.PROPOR.SOLENOID | | -- | 110194GT | SEAL KIT, VALVE, #10 | |
| 9 | 62254GT | VALVE,SOLENOID, 2 POS, 3 WAY <i>X, Primary boom down</i> | | | | | |
| -- | 45912GT | NUT,SOLENOID VALVE 2P3W | | | | | |
| -- | 62275GT | COIL,10V | | | | | |
| -- | 89310GT | SEAL KIT, SOLENOID VALVE | | | | | |
| 10 | 27807GT | VALVE,CHECK*** <i>Y, Differential sensing circuit, primary boom up/down</i> | | | | | |
| -- | 110200GT | SEAL KIT, VALVE, #4 | | | | | |
| 11 | 62254GT | VALVE,SOLENOID, 2 POS, 3 WAY <i>Z, Secondary boom up</i> | | | | | |
| -- | 45912GT | NUT,SOLENOID VALVE 2P3W | | | | | |
| -- | 62275GT | COIL,10V | | | | | |

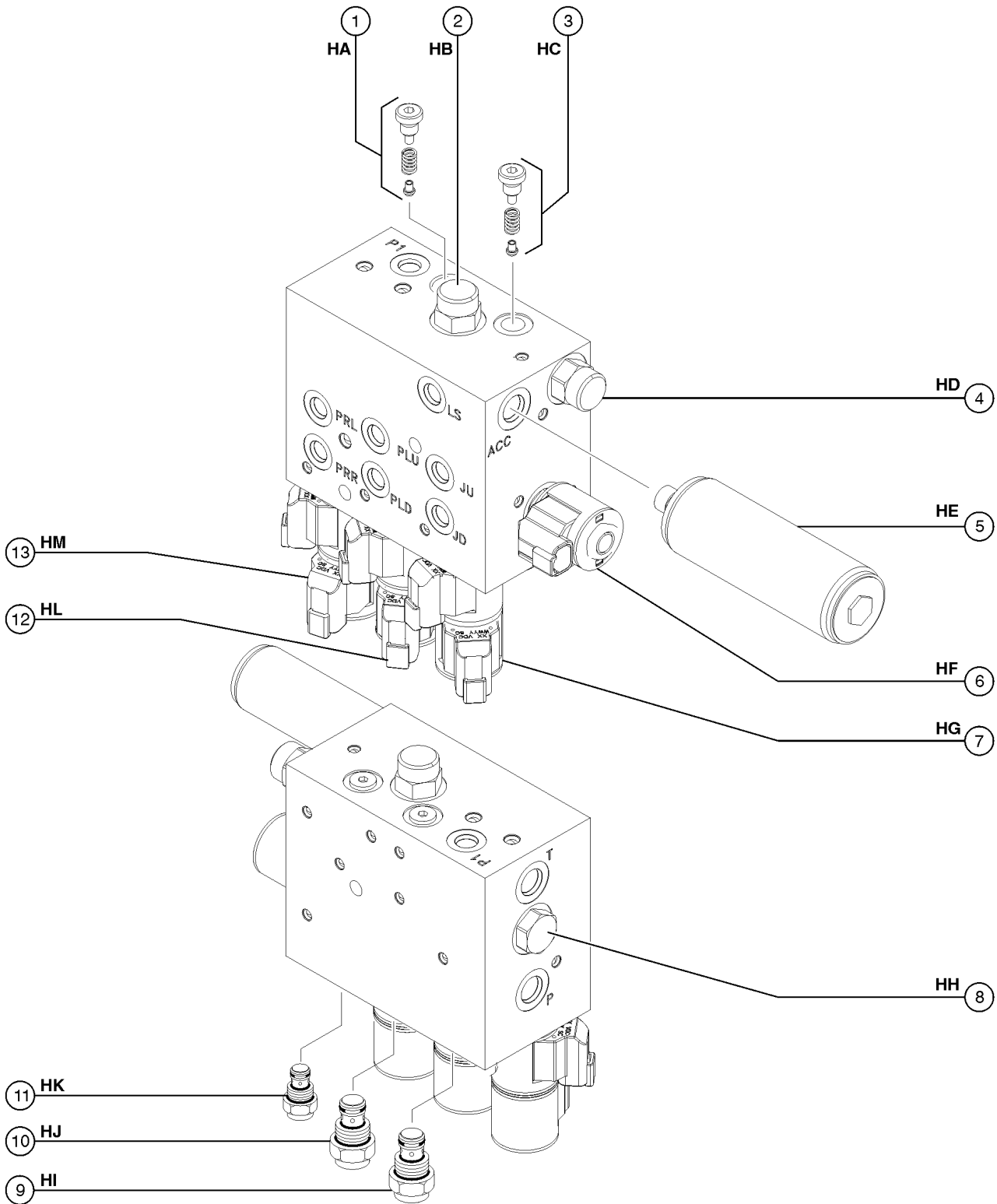
707.1 Platform Manifold (to SN 3025)



707.1 Platform Manifold (to SN 3025)

| Item | Part No. | Description | Qty. | Item | Part No. | Description | Qty. |
|------|----------|---|------|------|----------|--|------|
| -- | 230974GT | Z80 PLAT MANIFOLD SERV KIT <i>Shown manifold is no longer available. For a complete and first time replacement order service kit 230974 (includes manifold part 122961, accumulator part 122964 and harness part 146040, refer to 602.1 and 707.2)</i> | | -- | 77506GT | COIL,SOLENOID,HYDAC MANIFOLD | |
| -- | 49612GT | O-RING KIT (ORFS FITTINGS) | | 15 | 77504GT | VALVE,SOLENOID,3POS4WAY,HYDAC GQ, Platform level up/down | |
| -- | 49613GT | PLUG AND CAP KIT-SERVICE,ORFS* | | -- | 62354GT | NUT,SOLENOID VALVE,HYDAC | |
| 1 | 62442GT | VALVE,CHECK,PLAT.MANIFLD,HYDAC GA, Platform level circuit | | -- | 62355GT | O-RING,COIL NUT, HYDAC | |
| 2 | 77504GT | VALVE,SOLENOID,3POS4WAY,HYDAC GB, Jib boom up/down | | -- | 77506GT | COIL,SOLENOID,HYDAC MANIFOLD | |
| -- | 62355GT | O-RING,COIL NUT, HYDAC | | 16 | 62442GT | VALVE,CHECK,PLAT.MANIFLD,HYDAC GR, Platform rotate circuit | |
| -- | 77506GT | COIL,SOLENOID,HYDAC MANIFOLD | | | | | |
| 3 | 62442GT | VALVE,CHECK,PLAT.MANIFLD,HYDAC GC, Jib boom circuit | | | | | |
| 4 | 62364GT | ACCUMULATOR,500 PSI,HYDAC GD, Hydraulic dampening | | | | | |
| 5 | 62357GT | VALVE,DIFFERENTIAL SENSE,N.O. GE, Jib boom differential sensing circuit | | | | | |
| -- | 62361GT | SEAL KIT,VALVE 62357, HYDAC | | | | | |
| 6 | 62357GT | VALVE,DIFFERENTIAL SENSE,N.O. GF, Platform level differential sensing circuit | | | | | |
| -- | 62361GT | SEAL KIT,VALVE 62357, HYDAC | | | | | |
| 7 | 62357GT | VALVE,DIFFERENTIAL SENSE,N.O. GH, Platform rotate differential sensing circuit | | | | | |
| -- | 62361GT | SEAL KIT,VALVE 62357, HYDAC | | | | | |
| 8 | 62359GT | VALVE,SHUTTLE, HYDAC GI, Jib boom load sense circuit | | | | | |
| -- | 62362GT | SEAL KIT,VALVE 62359, HYDAC | | | | | |
| 9 | 62443GT | ORIFICE PLUG,.03,PLATF. HYDAC GJ, Platform rotate left circuit | | | | | |
| 10 | 62443GT | ORIFICE PLUG,.03,PLATF. HYDAC GK, Platform rotate right circuit | | | | | |
| 11 | 62359GT | VALVE,SHUTTLE, HYDAC GL, Platform level load sense circuit | | | | | |
| -- | 62362GT | SEAL KIT,VALVE 62359, HYDAC | | | | | |
| 12 | 62359GT | VALVE,SHUTTLE, HYDAC GN, Platform rotate load sense circuit | | | | | |
| -- | 62362GT | SEAL KIT,VALVE 62359, HYDAC | | | | | |
| 13 | 62356GT | VALVE,DIFFERENTIAL SENSE,N.C. GO, Directs flow to functions | | | | | |
| -- | 62360GT | SEAL KIT,VALVE 62356, HYDAC | | | | | |
| 14 | 77505GT | VALVE,SOLENOID,3POS4WAY,HYDAC GP, Platform rotate left/right | | | | | |
| -- | 62354GT | NUT,SOLENOID VALVE,HYDAC | | | | | |
| -- | 62355GT | O-RING,COIL NUT, HYDAC | | | | | |

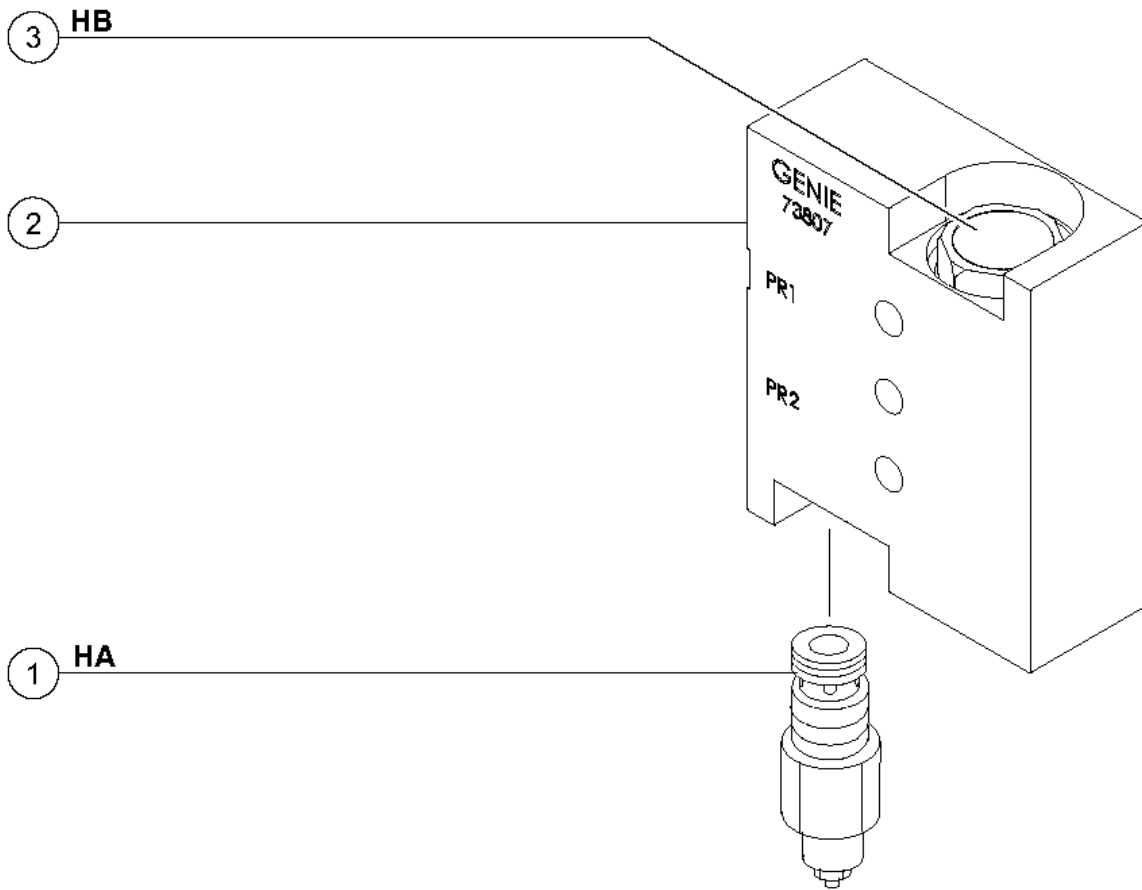
707.2 Platform Manifold (from SN 3026)



707.2 Platform Manifold (from SN 3026)

| Item | Part No. | Description | Qty. | Item | Part No. | Description | Qty. |
|------|-----------|---|------|------|----------|---|------|
| -- | 122961GT | MANIFOLD,PLATFORM W/JIB <i>Does not include accumulator part 122964</i> | | -- | 230983GT | VITON SEAL KIT, VALVE | |
| 1 | 52907GT | VALVE-CHECK, #4 SAE, 5 PSI* <i>Platform load sense circuit, platform level</i> | | -- | 44174GT | NUT-COIL SHORT | |
| -- | 62341GT | SEAL KIT,52907,SIZE 4, 2 WAY | | 13A | 229405GT | CHECK VALVE DISC.....1 <i>located below 229407</i> | |
| 2 | T107736GT | DIFFERENTIAL SENS VLV,8,150PSI <i>Directs flow to functions</i> | | | | | |
| -- | 52371GT | SEAL KIT, VALVE | | | | | |
| 3 | 52907GT | VALVE-CHECK, #4 SAE, 5 PSI* <i>Platform load sense circuit, jib up and down</i> | | | | | |
| -- | 62341GT | SEAL KIT,52907,SIZE 4, 2 WAY | | | | | |
| 4 | 62324GT | VALVE, FLOW CONTROL, 0.1GPM* <i>Bleeds off differential valve to tank</i> | | | | | |
| -- | 44228GT | SEAL KIT, VALVE | | | | | |
| 5 | 122964GT | ACCUMULATOR, 5CU IN 500 CHARGE <i>Hydraulic dampening</i> | | | | | |
| 6 | 228866GT | COIL,SOLENOID VALVE <i>Function enable valve</i> | | | | | |
| -- | 101934GT | VALVE,SOLENOID,2 POS 2 WAY | | | | | |
| -- | 44174GT | NUT-COIL SHORT | | | | | |
| -- | 44228GT | SEAL KIT, VALVE | | | | | |
| 7 | 229410GT | PRO.DIR.CNRL,VLV,5WY,3POS.....1 <i>LS Directional Proportional, Jib up and down</i> | | | | | |
| -- | 229411GT | VALVE COIL 10V.....2 | | | | | |
| -- | 230983GT | VITON SEAL KIT, VALVE | | | | | |
| -- | 44174GT | NUT-COIL SHORT | | | | | |
| 8 | 46216GT | VALVE,CHECK,IWP-S/CWP PWR ASSI | | | | | |
| -- | 44227GT | SEAL KIT, VALVE | | | | | |
| 9 | 110180GT | VALVE, COMPENSATOR, 80 PSI <i>Jib boom differential sensing circuit</i> | | | | | |
| -- | 44225GT | SEAL KIT, VALVE | | | | | |
| 10 | 110180GT | VALVE, COMPENSATOR, 80 PSI <i>Platform level differential sensing circuit</i> | | | | | |
| -- | 44225GT | SEAL KIT, VALVE | | | | | |
| 11 | 229406GT | REGULATOR,PRESS-COMP 0.30 GPM <i>Platform rotate differential sensing circuit</i> | | | | | |
| -- | 44228GT | SEAL KIT, VALVE | | | | | |
| 12 | 229407GT | PRO.DIR.CTRL,VLV,5WY,3POS <i>LS Directional Proportional, Platform level up and down</i> | | | | | |
| -- | 229411GT | VALVE COIL 10V.....2 | | | | | |
| -- | 230983GT | VITON SEAL KIT, VALVE | | | | | |
| -- | 44174GT | NUT-COIL SHORT | | | | | |
| 13 | 229407GT | PRO.DIR.CTRL,VLV,5WY,3POS <i>LS Directional Proportional, Platform rotate left and right</i> | | | | | |
| -- | 228866GT | COIL,SOLENOID VALVE.....2 | | | | | |

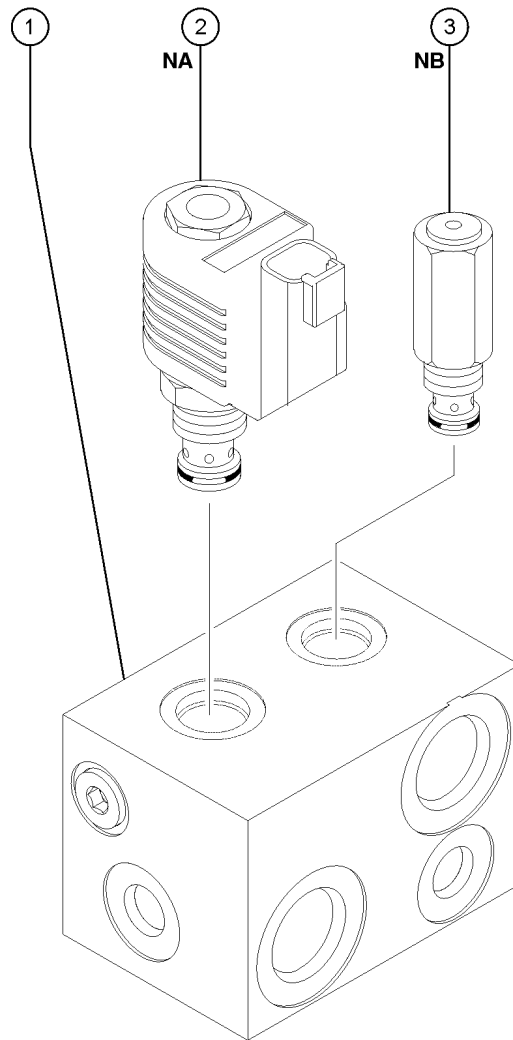
708.1 Platform Rotate Manifold



708.1 Platform Rotate Manifold

| Item | Part No. | Description | Qty. |
|------|----------|--|------|
| -- | 28750GT | O-RING KIT,FIELD SVC,ALL PROD* | |
| -- | 49612GT | O-RING KIT (ORFS FITTINGS) | |
| -- | 33994GT | PLUG AND CAP KIT-SERVICE,37 ** | |
| -- | 49613GT | PLUG AND CAP KIT-SERVICE,ORFS* | |
| 1 | 62506GT | VALVE - COUNTERBALANCE** <i>HA, Platform rotate right</i> | |
| 2 | 73807GT | MANIFOLD,ROTATOR,CB*** | |
| -- | 43018GT | SEAL KIT (39345) | |
| -- | 62507GT | O-RING, ROTATOR MANIFOLD | |
| 3 | 62506GT | VALVE - COUNTERBALANCE** <i>HB, Platform rotate left</i> | |

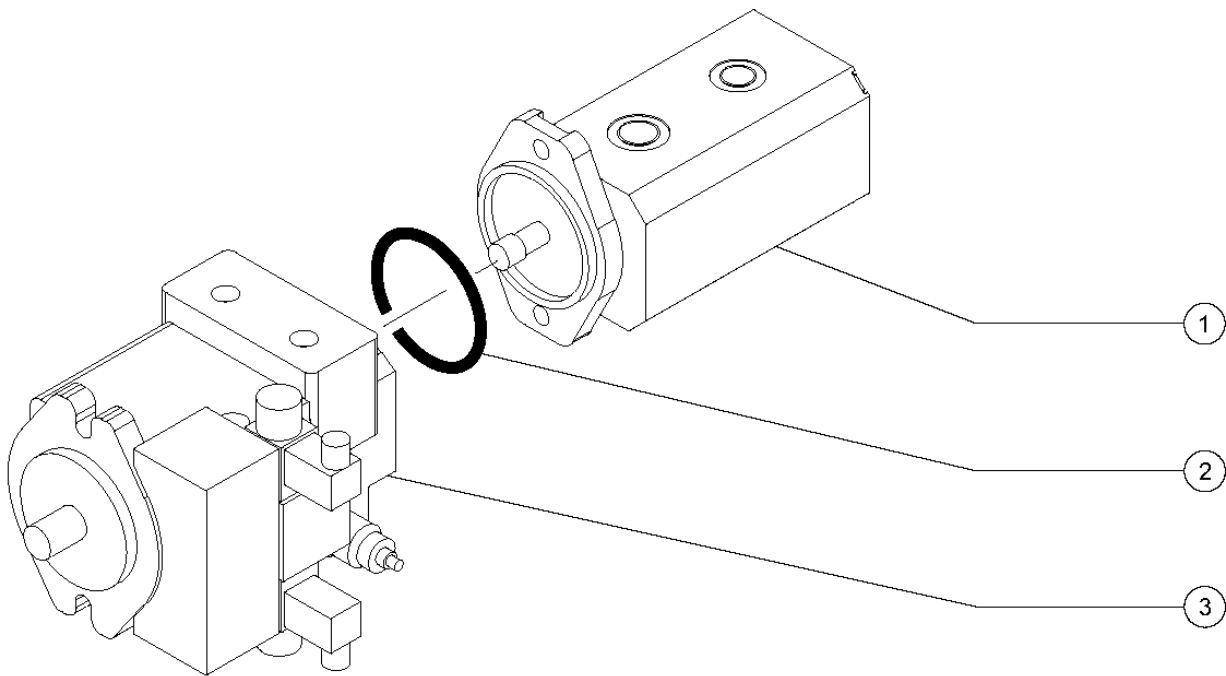
709.1 Remote Pilot Manifold (to SN 2674)



709.1 Remote Pilot Manifold (to SN 2674)

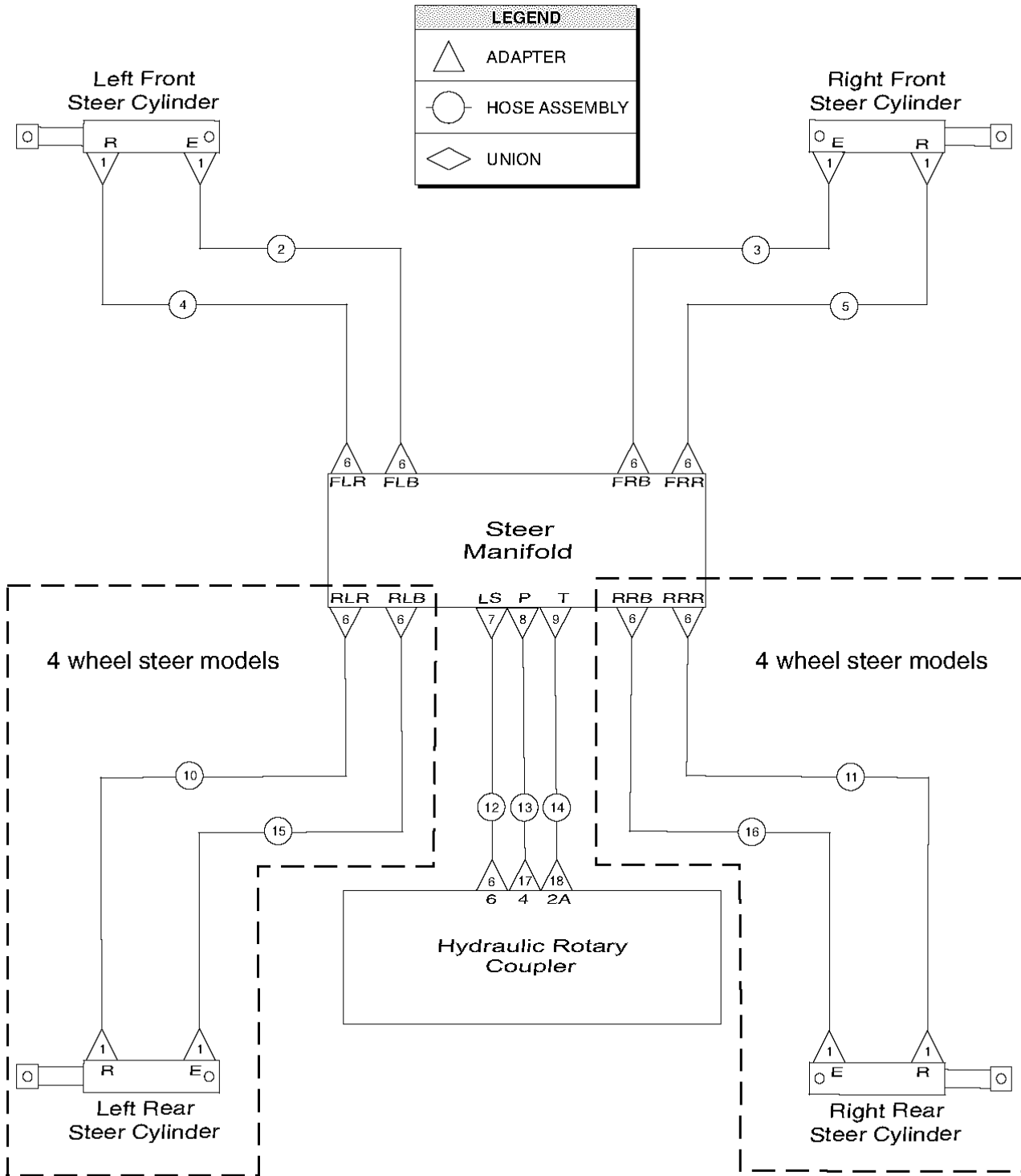
| Item | Part No. | Description | Qty. |
|------|----------|---|------|
| 1 | 122706GT | SERV MNFLD,SEC LIFT CYL PIL PR <i>to SN 2674; part of service kit 218697, refer to 501.1</i> | |
| 2 | 77502GT | VALVE,SOLENOID 2 POS 2 WAY.....1 <i>NA, Secondary boom lift circuit</i> | |
| -- | 52943GT | NUT,SOLENOID VALVE COIL | |
| -- | 74902GT | SEAL KIT | |
| 3 | 48640GT | VALVE,RELIEF,2500 PSI.....1 <i>NB, Secondary boom lift circuit extend/retrac</i> | |
| -- | 74902GT | SEAL KIT | |

710.1 Pumps



| Item | Part No. | Description | Qty. |
|------|----------|---|------|
| -- | 102780GT | PUMP ASSY,DRIVE & FUNCTION <i>includes items 1-3</i> | |
| 1 | 102781GT | PUMP, LIFT TANDEM Z80..... | 1 |
| -- | 102735GT | SEAL & WEAR PLATE KIT,LIFT/STR <i>from SN 603</i> | |
| -- | 83142GT | SEAL KIT (81387) <i>to SN 602</i> | |
| 2 | 83141GT | O-RING,.103X3.237,NBR/NTRL,90D..... | 1 |
| 3 | 70249GT | PUMP,PISTON,M46(Z80)..... | 1 |
| -- | 29739GT | SEAL KIT,SAUER-DANFOSS M46*** | |
| -- | 58290GT | VALVE,EDC,PILOT,SAUER,M46*** | |
| -- | 77819GT | EDC ASSY,SAUER M46*** | |

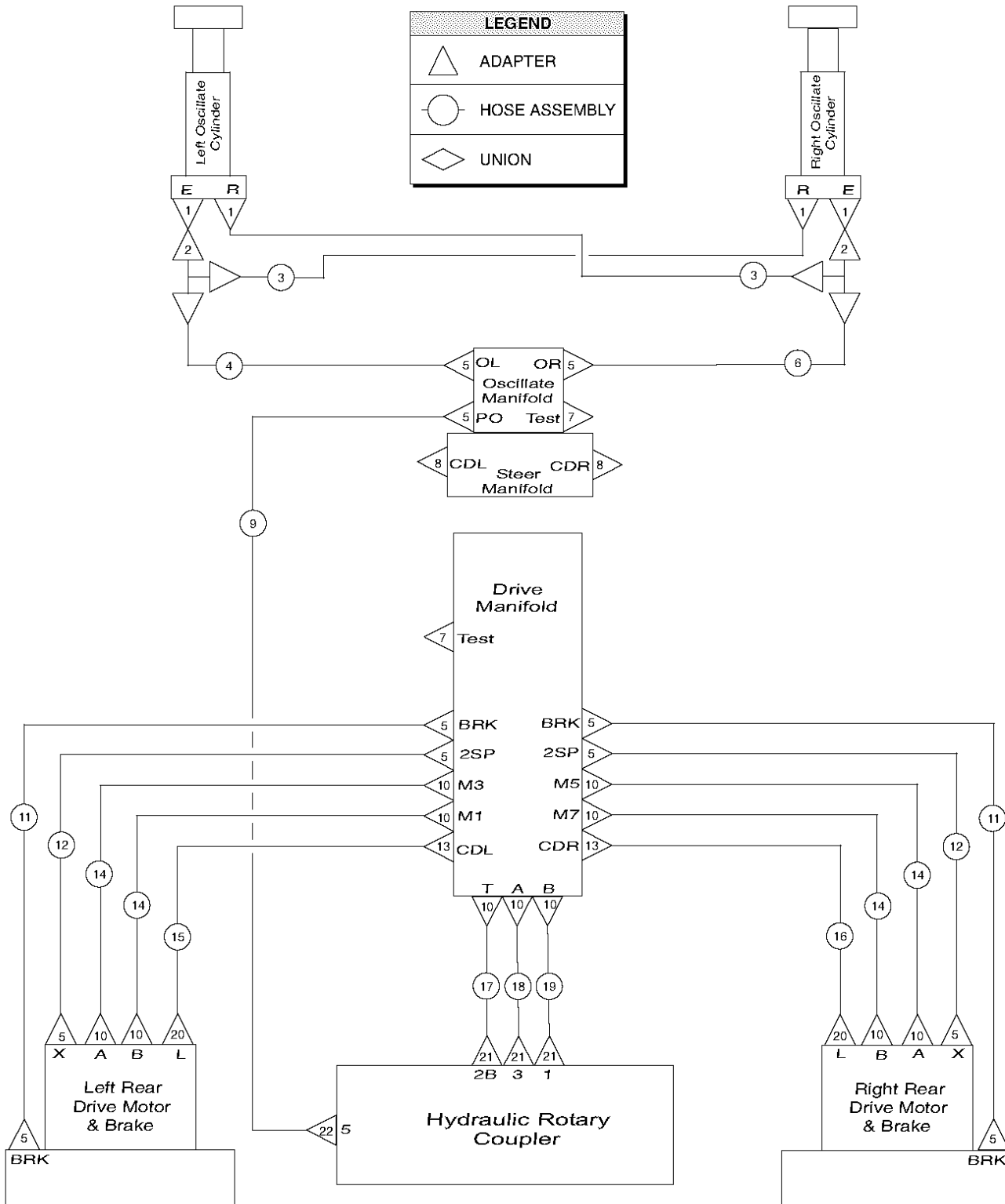
711.1 Hydraulic Hoses and Fittings - Steer System



711.1 Hydraulic Hoses and Fittings - Steer System

| Item | Part No. | Description | Qty. |
|------|---------------|-------------------------------------|------|
| -- | 49613GT | PLUG AND CAP KIT-SERVICE,ORFS* | |
| -- | 49612GT | O-RING KIT (ORFS FITTINGS) | |
| 1 | 48911GT | ELBOW,90D,520220-4-6*** | 6 |
| -- | 48911GT | ELBOW,90D,520220-4-6*** | 8 |
| 2 | 49119-2878GT | HOSE ASSY,1/4,STR FEM,STR FEM*.... | 1 |
| 3 | 49119-2678GT | HOSE ASSY,1/4,STR FEM,STR FEM..... | 1 |
| 4 | 49119-3878GT | HOSE ASSY,1/4,STR FEM,STR FEM..... | 1 |
| 5 | 49119-3378GT | HOSE ASSY,1/4,STR FEM,STR FEM..... | 1 |
| 6 | 48905GT | CONN,520120-4*** | 5 |
| -- | 48905GT | CONN,520120-4*** | 9 |
| 7 | 48904GT | ELBOW,90D,520220-4-4..... | 1 |
| 8 | 48916GT | CONN, 520120-6..... | 1 |
| 9 | 48963GT | FITTING,ELBOW,45D,520320-12***..... | 1 |
| 10 | 49119-10078GT | HOSE ASSY,1/4,STR FEM,STR FEM..... | 1 |
| 11 | 49119-9878GT | HOSE ASSY,1/4,STR FEM,STR FEM..... | 1 |
| 12 | 49119-2978SGT | HOSE ASSY 1/4,STR FEM,STR FEM..... | 1 |
| 13 | 49130-2582GT | HOSE ASSY 3/8, STR FEM,STR FEM.... | 1 |
| 14 | 49151-2248GT | HOSE ASSY,3/4,STR FEM,STR FEM..... | 1 |
| 15 | 139107GT | HOSE ASSY, 1/4", 89.00..... | 1 |
| 16 | 49119-9278GT | HOSE ASSY,1/4,STR FEM,STR FEM..... | 1 |
| 17 | 48930GT | CONN,520120-6-8..... | 1 |
| 18 | 48960GT | FITTING,CONN,520120-12*** | 1 |

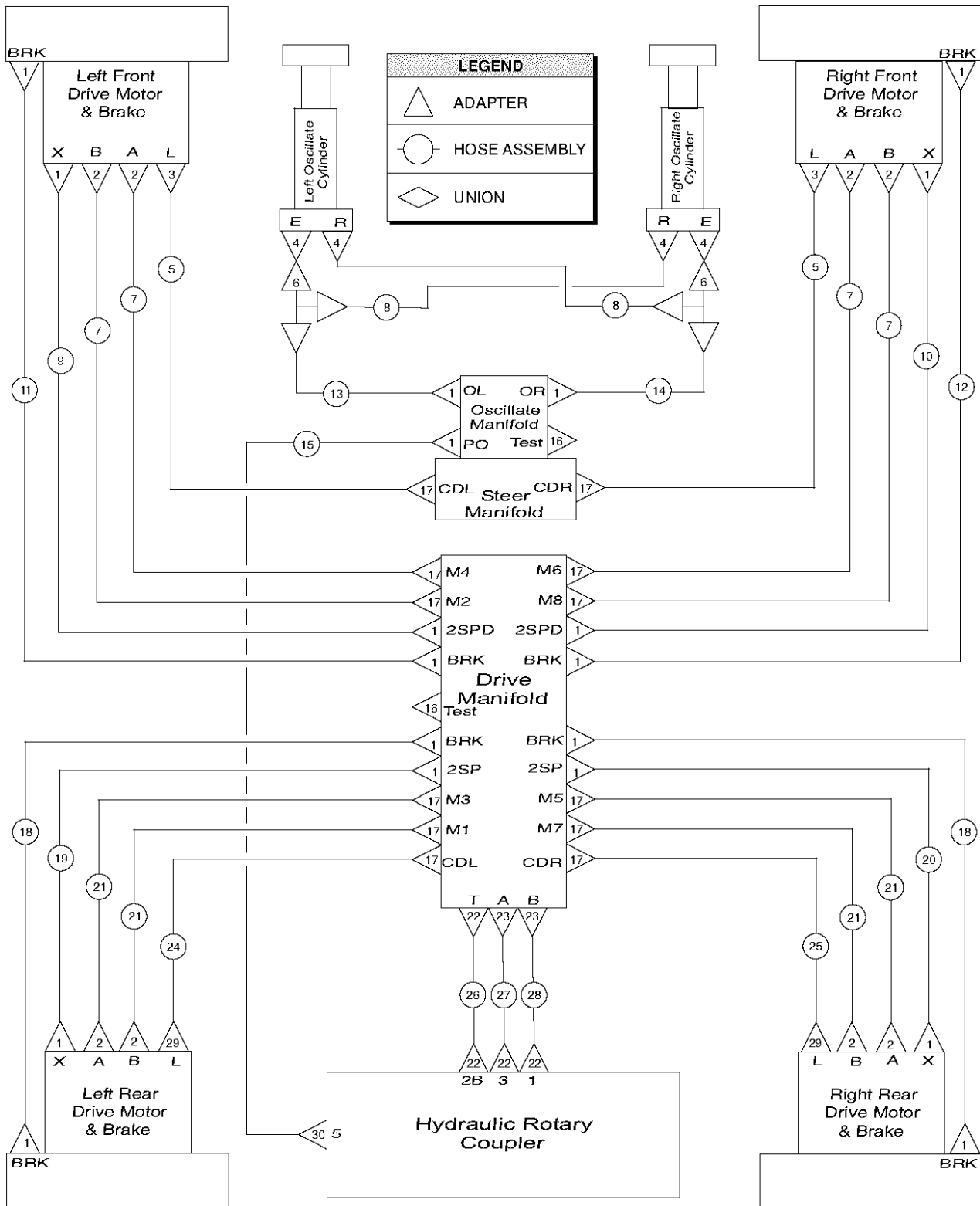
712.1 Hydraulic Hoses and Fittings - Drive System, 2WD Models



712.1 Hydraulic Hoses and Fittings - Drive System, 2WD Models

| Item | Part No. | Description | Qty. |
|------|--------------|--------------------------------------|------|
| -- | 49613GT | PLUG AND CAP KIT-SERVICE,ORFS* | |
| -- | 49612GT | O-RING KIT (ORFS FITTINGS) | |
| 1 | 49418GT | FITTING,ELBOW,45D,520320-4-6*.....4 | |
| 2 | 48908GT | FITTING,TEE,RUN,SWIVEL520432-4.....2 | |
| 3 | 49117-4491GT | HOSE ASSY,1/4,90 FEM,STR FEM.....2 | |
| 4 | 49119-4178GT | HOSE ASSY,1/4,STR FEM,STR FEM.....1 | |
| 5 | 48905GT | CONN,520120-4***.....11 | |
| 6 | 49119-4578GT | HOSE ASSY,1/4,STR FEM,STR FEM.....1 | |
| 7 | 48998GT | NIPPLE,DIAGNOSTIC,#6 PORT***.....2 | |
| -- | 20224GT | DIAGNOSTIC FEMALE Q-DSCNT | |
| -- | 48880GT | CAP,DIAGNOSTIC NIPPLE | |
| 8 | 53538GT | PLUG,520109-8,ORFS.....2 | |
| 9 | 49119-2678GT | HOSE ASSY,1/4,STR FEM,STR FEM.....1 | |
| 10 | 48960GT | FITTING,CONN,520120-12***.....11 | |
| 11 | 49117-5691GT | HOSE ASSY,1/4,90 FEM,STR FEM**.....2 | |
| -- | 49116-8637GT | HOSE ASSY,1/4,45 FEM,STR FEM | |
| 12 | 49119-5678GT | HOSE ASSY,1/4,STR FEM,STR FEM.....2 | |
| -- | 49117-9291GT | HOSE ASSY,1/4,90 FEM,STR FEM | |
| 13 | 48933GT | CONN,520120-8***.....2 | |
| 14 | 94374-5430GT | HOSE ASSY,3/4,90 FEM,STR FEM.....4 | |
| -- | 89871-8448GT | HOSE ASSY,3/4" STR-STR | |
| 15 | 49143-5429GT | HOSE ASSY,1/2,90 FEM,STR FEM.....1 | |
| -- | 49180-9316GT | HOSE ASSEMBLY,3/8" | |
| 16 | 49143-5429GT | HOSE ASSY,1/2,90 FEM,STR FEM.....1 | |
| -- | 49180-8616GT | HOSE ASSEMBLY,3/8" | |
| 17 | 49151-2248GT | HOSE ASSY,3/4,STR FEM,STR FEM.....1 | |
| 18 | 94374-2630GT | HOSE ASSY,3/4,90 FEM,STR FEM**.....1 | |
| 19 | 94374-2830GT | HOSE ASSY,3/4,90 FEM,STR FEM.....1 | |
| 20 | 48933GT | CONN,520120-8***.....2 | |
| 21 | 48963GT | FITTING,ELBOW,45D,520320-12***.....3 | |
| 22 | 48912GT | CONN,520120-4-6***.....1 | |

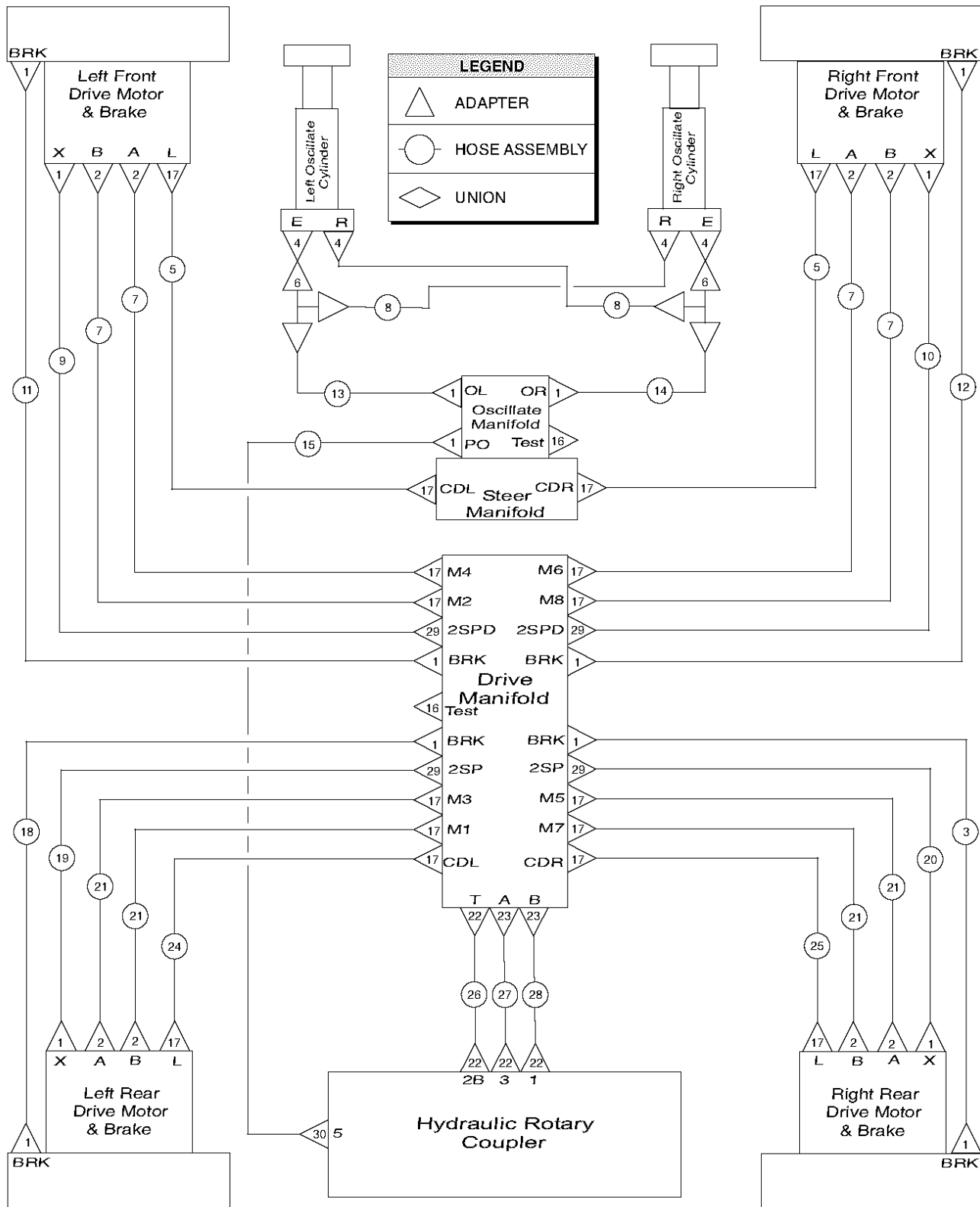
713.1 Hydraulic Hoses and Fittings - Drive System, 4WD Models (to SN 538)



713.1 Hydraulic Hoses and Fittings - Drive System, 4WD Models (to SN 538)

| Item | Part No. | Description | Qty. |
|------|--------------------------|-------------------------------------|------|
| -- | 49613GT | PLUG AND CAP KIT-SERVICE,ORFS* | |
| -- | 49612GT | O-RING KIT (ORFS FITTINGS) | |
| 1 | 48905GT | CONN,520120-4***..... | 19 |
| 2 | 48948GT | CONN,520120-8-12..... | 8 |
| 3 | 48930GT | CONN,520120-6-8..... | 2 |
| 4 | 49418GT | FITTING,ELBOW,45D,520320-4-6*..... | 4 |
| 5 | 49180-8016GT | HOSE ASSEMBLY,3/8"..... | 2 |
| 6 | 48908GT | FITTING,TEE,RUN,SWIVEL520432-4..... | 2 |
| 7 | 49110-14592GT | HOSE ASSEMBLY,1/2"..... | 4 |
| 8 | 49117-4491GT | HOSE ASSY,1/4,90 FEM,STR FEM..... | 2 |
| 9 | 49117-14191GT | HOSE ASSY,1/4,90 FEM,STR FEM..... | 1 |
| 10 | 49117-15191GT | HOSE ASSY,1/4,90 FEM,STR FEM..... | 1 |
| 11 | 49116-14237GT | HOSE ASSY,1/4,45 FEM,STR FEM..... | 1 |
| 12 | 49116-15237GT | HOSE ASSY,1/4,45 FEM,STR FEM..... | 1 |
| 13 | 49119-4778GT | HOSE ASSY,1/4,STR FEM,STR FEM..... | 1 |
| 14 | 49119-4578GT | HOSE ASSY,1/4,STR FEM,STR FEM..... | 1 |
| 15 | 49119-2678GT | HOSE ASSY,1/4,STR FEM,STR FEM..... | 1 |
| 16 | 48998GT | NIPPLE,DIAGNOSTIC,#6 PORT***..... | 2 |
| -- | 20224GT | DIAGNOSTIC FEMALE Q-DSCNT | |
| -- | 48880GT | CAP,DIAGNOSTIC NIPPLE | |
| 17 | 48933GT | CONN,520120-8***..... | 10 |
| 18 | 49117-5691GT | HOSE ASSY,1/4,90 FEM,STR FEM**..... | 2 |
| -- | 49116-8637GT | HOSE ASSY,1/4,45 FEM,STR FEM | |
| 19 | 49119-5678GT | HOSE ASSY,1/4,STR FEM,STR FEM..... | 1 |
| -- | 49117-9091GT | HOSE ASSY,1/4,90 FEM,STR FEM | |
| 20 | 49119-5678GT | HOSE ASSY,1/4,STR FEM,STR FEM..... | 1 |
| -- | 49117-9291GT | HOSE ASSY,1/4,90 FEM,STR FEM | |
| 21 | 49109-5229GT | HOSE ASSY,1/2,90 FEM,STR FEM..... | 4 |
| -- | 49110-8592GT | HOSE ASSEMBLY,1/2" | |
| 22 | 48963GT | FITTING,ELBOW,45D,520320-12***..... | 4 |
| 23 | 48960GT | FITTING,CONN,520120-12***..... | 2 |
| 24 | 49143-5429GT | HOSE ASSY,1/2,90 FEM,STR FEM..... | 1 |
| -- | 49180-9316GT | HOSE ASSEMBLY,3/8" | |
| 25 | 49143-5429GT | HOSE ASSY,1/2,90 FEM,STR FEM..... | 1 |
| -- | 49180-8616GT | HOSE ASSEMBLY,3/8" | |
| 26 | 49151-2248GT | HOSE ASSY,3/4,STR FEM,STR FEM..... | 1 |
| 27 | 10665-2929 GT | HOSE ASSY,3/4 90LG FEM,STR FEM..... | 1 |
| 28 | 94374-2930GT | HOSE ASSY,3/4,90 FEM,STR FEM..... | 1 |
| 29 | 48933GT | CONN,520120-8***..... | 2 |
| -- | 48930GT | CONN,520120-6-8 | |
| 30 | 48912GT | CONN,520120-4-6***..... | 1 |

713.2 Hydraulic Hoses and Fittings - Drive System, 4WD Models (from SN 539 to 957)



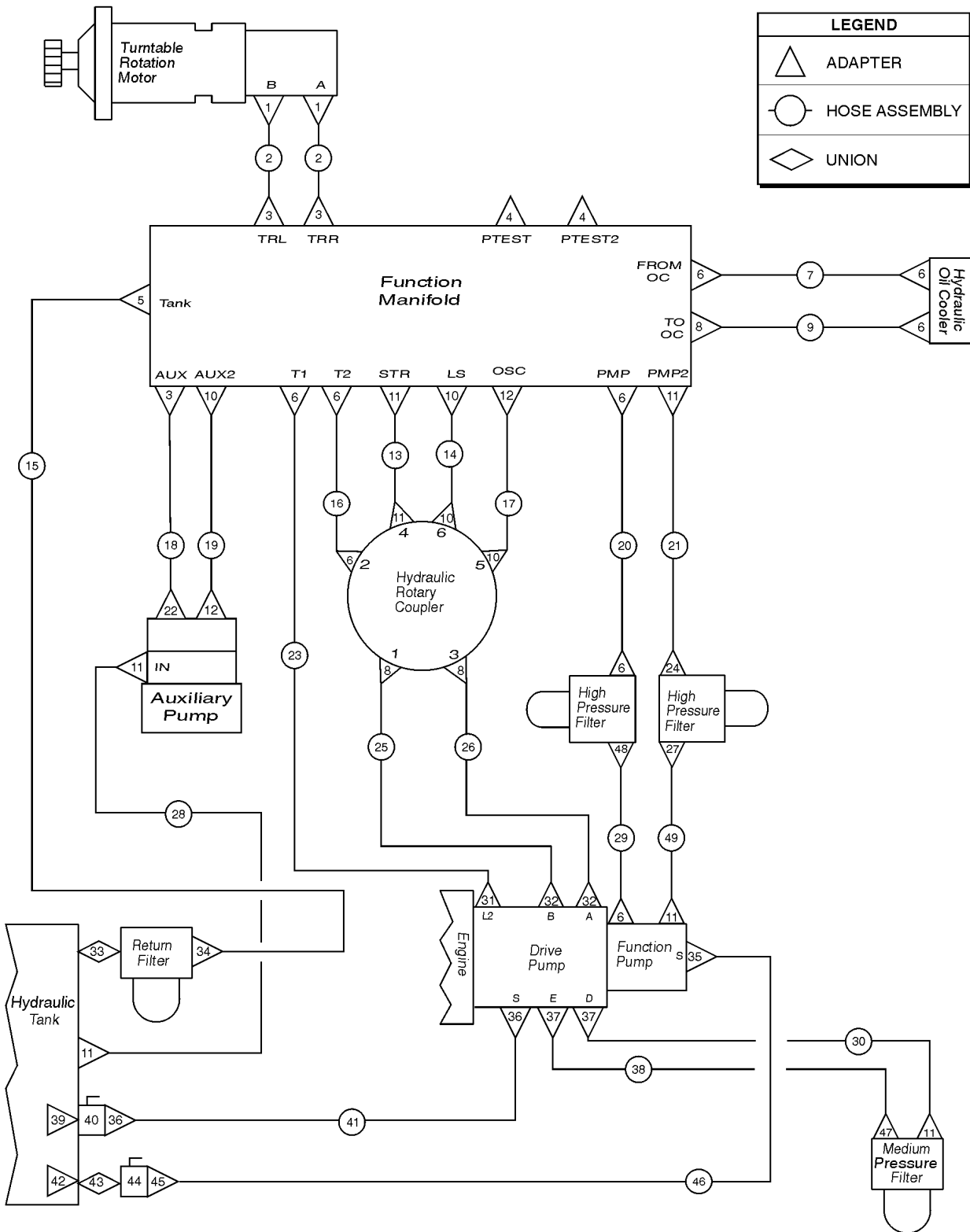
713.2 Hydraulic Hoses and Fittings - Drive System, 4WD Models (from SN 539 to 957)

| Item | Part No. | Description | Qty. | Item | Part No. | Description | Qty. |
|------|---------------|---|------|------|-------------------------|---|------|
| -- | 49613GT | PLUG AND CAP KIT-SERVICE,ORFS* | | -- | 49143-9429GT | HOSE ASSY,1/2,90 FEM,STR FEM (4WS) | |
| -- | 49612GT | O-RING KIT (ORFS FITTINGS) | | 25 | 49183-5629GT | HOSE ASSY,1/2,90 FEM,STR FEMM.....1 (2WS) | 1 |
| 1 | 48905GT | CONN,520120-4***..... | 15 | -- | 49143-8929GT | HOSE ASSY,1/2,90 FEM,STR FEM** (4WS) | |
| 2 | 48948GT | CONN,520120-8-12..... | 8 | 26 | 49151-2248GT | HOSE ASSY,3/4,STR FEM,STR FEM.....1 | |
| 3 | 49119-5978GT | HOSE ASSY,1/4,STR FEM,STR FEM.....1 (2WS) | | 27 | 10665-2929GT | HOSE ASSY,3/4 90LG FEM,STR FEM...1 | |
| -- | 49116-10337GT | HOSE ASSY,1/4,45 FEM,STR FEM (4WS) | | 28 | 94374-2930GT | HOSE ASSY,3/4,90 FEM,STR FEM.....1 from SN 539 to SN 791 | |
| 4 | 49418GT | FITTING,ELBOW,45D,520320-4-6**.....4 | | -- | 94374-2730GT | HOSE ASSY,3/4,90 FEM,STR FEM from SN 792 | |
| 5 | 49183-5092GT | HOSE ASSY,1/2,STR FEM,STR FEM*....2 (2WS) | | 29 | 48912GT | CONN,520120-4-6***..... | 4 |
| -- | 49143-9429GT | HOSE ASSY,1/2,90 FEM,STR FEM (4WS) | | | | | |
| 6 | 48908GT | FITTING,TEE,RUN,SWIVEL520432-4.....2 | | | | | |
| 7 | 49110-14592GT | HOSE ASSEMBLY,1/2"..... | 4 | | | | |
| 8 | 49117-4491GT | HOSE ASSY,1/4,90 FEM,STR FEM.....2 | | | | | |
| 9 | 49117-5691GT | HOSE ASSY,1/4,90 FEM,STR FEM**.....1 | | | | | |
| -- | 49119-14478GT | HOSE ASSY,1/4,STR FEM,STR FEM | | | | | |
| 10 | 49119-15178GT | HOSE ASSY,1/4,STR FEM,STR FEM.....1 | | | | | |
| 11 | 49116-15837GT | HOSE ASSY,1/4,45 FEM,STR FEM.....1 | | | | | |
| 12 | 49116-15837GT | HOSE ASSY,1/4,45 FEM,STR FEM.....1 | | | | | |
| 13 | 49119-4778GT | HOSE ASSY,1/4,STR FEM,STR FEM.....1 | | | | | |
| 14 | 49119-4578GT | HOSE ASSY,1/4,STR FEM,STR FEM.....1 | | | | | |
| 15 | 49119-2678GT | HOSE ASSY,1/4,STR FEM,STR FEM.....1 | | | | | |
| 16 | 48998GT | NIPPLE,DIAGNOSTIC,#6 PORT***.....2 | | | | | |
| -- | 20224GT | DIAGNOSTIC FEMALE Q-DSCNT | | | | | |
| -- | 48880GT | CAP,DIAGNOSTIC NIPPLE | | | | | |
| 17 | 48933GT | CONN,520120-8***..... | 16 | | | | |
| 18 | 49119-5678GT | HOSE ASSY,1/4,STR FEM,STR FEM.....1 (2WS) | | | | | |
| -- | 49116-9537GT | HOSE ASSY,1/4,45 FEM,STR FEM (4WS) | | | | | |
| 19 | 49119-5678GT | HOSE ASSY,1/4,STR FEM,STR FEM.....1 (2WS) | | | | | |
| -- | 139106GT | HOSE ASSY, 1/4", 87.00 (4WS) | | | | | |
| 20 | 49117-5691GT | HOSE ASSY,1/4,90 FEM,STR FEM**.....1 (2WS) | | | | | |
| -- | 49119-9178GT | HOSE ASSY,1/4,STR FEM,STR FEM* (4WS) | | | | | |
| 21 | 49109-5229GT | HOSE ASSY,1/2,90 FEM,STR FEM.....4 (2WS) | | | | | |
| -- | 49110-8592GT | HOSE ASSEMBLY,1/2" (4WS) | | | | | |
| 22 | 48963GT | FITTING,ELBOW,45D,520320-12***.....4 | | | | | |
| 23 | 48960GT | FITTING,CONN,520120-12***.....2 | | | | | |
| 24 | 49143-5629GT | HOSE ASSY,1/2,90 FEM,STR FEMM.....1 (2WS) | | | | | |

713.3 Hydraulic Hoses and Fittings - Drive System, 4WD Models (from 958)

| Item | Part No. | Description | Qty. | Item | Part No. | Description | Qty. |
|------|---------------|---|------|------|---------------|---|------|
| -- | 49613GT | PLUG AND CAP KIT-SERVICE,ORFS* | | 23 | 48963GT | FITTING,ELBOW,45D,520320-12***.....4 | |
| -- | 49612GT | O-RING KIT (ORFS FITTINGS) | | 24 | 48960GT | FITTING,CONN,520120-12***.....2 | |
| 1 | 48905GT | CONN,520120-4***.....15 | | 25 | 49143-5629GT | HOSE ASSY,1/2,90 FEM,STR FEMM.....1 (2WS) | |
| 2 | 48948GT | CONN,520120-8-12.....8 | | -- | 49141-8963GT | HOSE ASSY,1/2,45 FEM,STR FEM (4WS) | |
| 3 | 49119-5678GT | HOSE ASSY,1/4,STR FEM,STR FEM.....1 (2WS) | | 26 | 49143-5629GT | HOSE ASSY,1/2,90 FEM,STR FEMM.....1 (2WS) | |
| -- | 49117-9791GT | HOSE ASSY,1/4,90 FEM,STR FEM (4WS) | | -- | 49141-8963GT | HOSE ASSY,1/2,45 FEM,STR FEM (4WS) | |
| 4 | 49418GT | FITTING,ELBOW,45D,520320-4-6**.....4 | | 27 | 49151-2248GT | HOSE ASSY,3/4,STR FEM,STR FEM.....1 | |
| 5 | 49143-5629GT | HOSE ASSY,1/2,90 FEM,STR FEMM.....2 (2WS) | | 28 | 106665-2929GT | HOSE ASSY,3/4 90LG FEM,STR FEM...1 | |
| -- | 49141-9063GT | HOSE ASSY,1/2,45 FEM,STR FEM (4WS) | | 29 | 94374-2930GT | HOSE ASSY,3/4,90 FEM,STR FEM.....1 from SN 958 to SN 791 | |
| 6 | 49143-5629GT | HOSE ASSY,1/2,90 FEM,STR FEMM.....2 (2WS) | | -- | 94374-2730GT | HOSE ASSY,3/4,90 FEM,STR FEM from SN 792 | |
| -- | 49141-9463GT | HOSE ASSY,1/2,45 FEM,STR FEM (4WS) | | 30 | 48912GT | CONN,520120-4-6***.....4 | |
| 7 | 48908GT | FITTING,TEE,RUN,SWIVEL520432-4.....2 | | | | | |
| 8 | 49110-14592GT | HOSE ASSEMBLY,1/2".....4 | | | | | |
| 9 | 49117-4491GT | HOSE ASSY,1/4,90 FEM,STR FEM.....2 | | | | | |
| 10 | 49119-15178GT | HOSE ASSY,1/4,STR FEM,STR FEM.....1 | | | | | |
| 11 | 49119-15678GT | HOSE ASSY,1/4,STR FEM,STR FEM.....1 | | | | | |
| 12 | 49117-14391GT | HOSE ASSY,1/4,90 FEM,STR FEM.....1 | | | | | |
| 13 | 49117-15791GT | HOSE ASSY,1/4,90 FEM,STR FEM.....1 | | | | | |
| 14 | 49119-4778GT | HOSE ASSY,1/4,STR FEM,STR FEM.....1 | | | | | |
| 15 | 49119-4578GT | HOSE ASSY,1/4,STR FEM,STR FEM.....1 | | | | | |
| 16 | 49119-2678GT | HOSE ASSY,1/4,STR FEM,STR FEM.....1 | | | | | |
| 17 | 48998GT | NIPPLE,DIAGNOSTIC,#6 PORT***.....2 | | | | | |
| -- | 20224GT | DIAGNOSTIC FEMALE Q-DSCNT | | | | | |
| -- | 48880GT | CAP,DIAGNOSTIC NIPPLE | | | | | |
| 18 | 48933GT | CONN,520120-8***.....16 | | | | | |
| 19 | 49119-5378GT | HOSE ASSY,1/4,STR FEM,STR FEM.....1 (2WS) | | | | | |
| -- | 49117-9791GT | HOSE ASSY,1/4,90 FEM,STR FEM (4WS) | | | | | |
| 20 | 49117-5691GT | HOSE ASSY,1/4,90 FEM,STR FEM**.....1 (2WS) | | | | | |
| -- | 139107GT | HOSE ASSY, 1/4", 89.00 (4WS) | | | | | |
| 21 | 49117-5691GT | HOSE ASSY,1/4,90 FEM,STR FEM**.....1 (2WS) | | | | | |
| -- | 49119-9678GT | HOSE ASSY,1/4,STR FEM,STR FEM (4WS) | | | | | |
| 22 | 49109-5229GT | HOSE ASSY,1/2,90 FEM,STR FEM.....4 (2WS) | | | | | |
| -- | 49110-8592GT | HOSE ASSEMBLY,1/2" (4WS) | | | | | |

714.1 Hydraulic Hoses and Fittings - Turntable Components



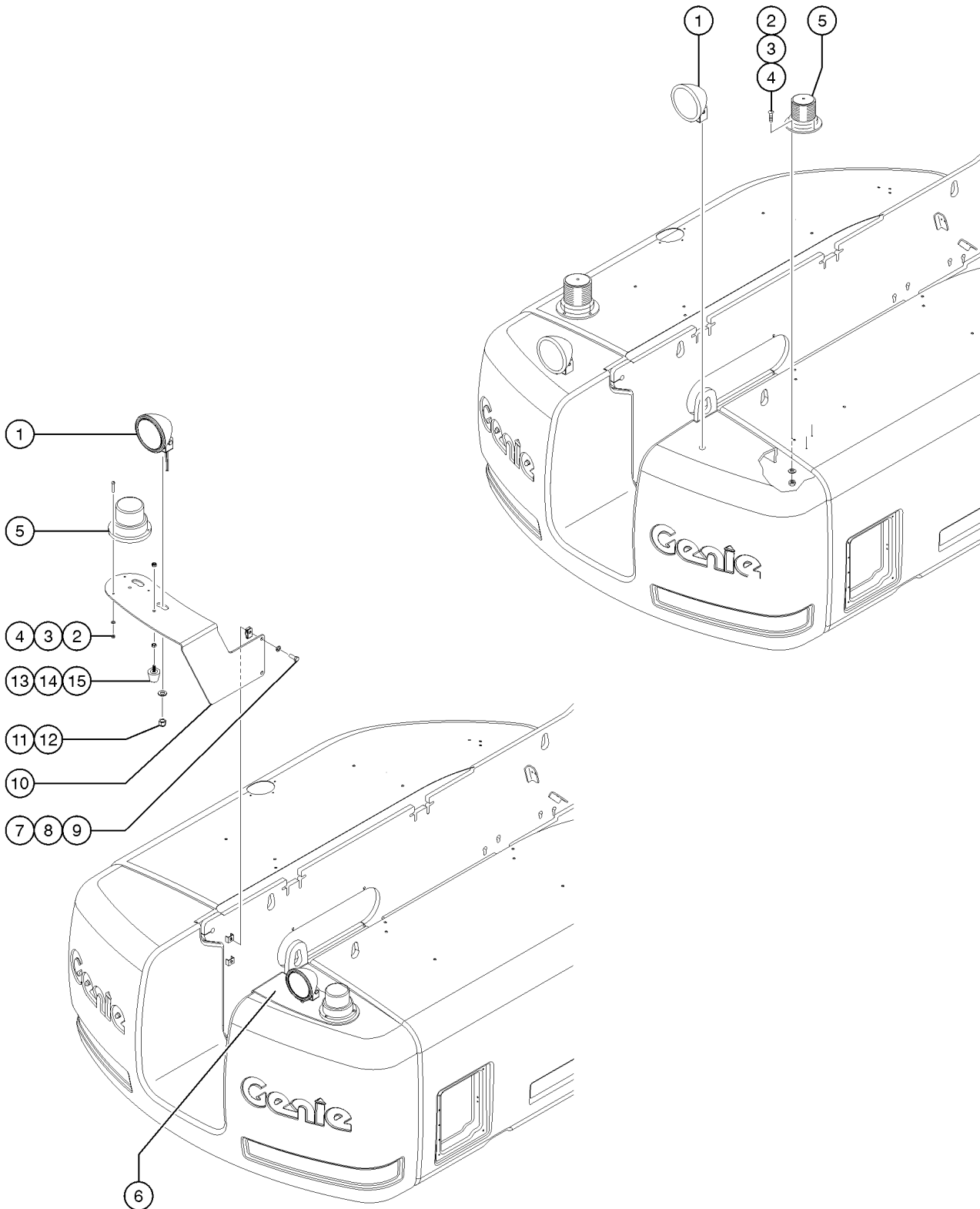
714.1 Hydraulic Hoses and Fittings - Turntable Components

| Item | Part No. | Description | Qty. | Item | Part No. | Description | Qty. |
|------|--------------|---|------|------|--------------|---|------|
| -- | 49613GT | PLUG AND CAP KIT-SERVICE,ORFS* | | 31 | 48959GT | FITTING,ELBOW,90D,520220-12.....1 | |
| -- | 49612GT | O-RING KIT (ORFS FITTINGS) | | 32 | 48978GT | ELBOW,45D,520320-12-16.....2 | |
| 1 | 48915GT | ELBOW,90D,520220-6.....2 | | 33 | 61263GT | UNION,STR.THREAD 20.....1 | |
| 2 | 49130-3882GT | HOSE ASSY 3/8, STR FEM,STR FEM....2 | | 34 | 88353GT | ELBOW,45D,520320-20.....1 | |
| 3 | 48920GT | ELBOW,45D,520320-6.....2 | | 35 | 61352GT | KIT,FLANGE CODE 61 -20.....1 | |
| 4 | 48998GT | NIPPLE,DIAGNOSTIC,#6 PORT***2 | | -- | 77503GT | O-RING,FLANGE KIT 61352 | |
| -- | 20224GT | DIAGNOSTIC FEMALE Q-DSCNT | | 36 | 48984GT | CONN,520120-16.....2 | |
| -- | 48880GT | CAP,DIAGNOSTIC NIPPLE | | 37 | 48946GT | CONN,520120-8-10.....2 | |
| 5 | 88353GT | ELBOW,45D,520320-20.....1 | | 38 | 49141-4463GT | HOSE ASSY,1/2,45 FEM,STR FEM.....1 | |
| 6 | 48960GT | FITTING,CONN,520120-12***10 | | 39 | 75253GT | STRAINER ASSY,#16 O-RING.....1 | |
| 7 | 49151-3548GT | HOSE ASSY,3/4,STR FEM,STR FEM.....1 | | 40 | 48996GT | VALVE,BALL,16 MSAE-16 FSAE***1 | |
| 8 | 48963GT | FITTING,ELBOW,45D,520320-12***1 | | 41 | 49159-5918GT | HOSE ASSEMBLY,1".....1 | |
| 9 | 49149-4126GT | HOSE ASSY,3/4,45 FEM,STR FEM.....1 | | 42 | 75257GT | STRAINER ASSY,#24 O-RING.....1 | |
| 10 | 48905GT | CONN,520120-4***4 | | 43 | 75254GT | UNION,STR.THREAD 24***1 | |
| 11 | 48933GT | CONN,520120-8***7 | | 44 | 75256GT | VALVE BALL,24 FSAE-24 FSAE***1 | |
| 12 | 48912GT | CONN,520120-4-6***2 | | 45 | 61083GT | CONN,520120-24.....1 | |
| 13 | 49141-5163GT | HOSE ASSY,1/2,45 FEM,STR FEM.....1 | | 46 | 88454-6604GT | HOSE ASSY,1 1/2" 90 FLG FEM.....1 | |
| 14 | 49116-5037GT | HOSE ASSY,1/4,45 FEM,STR FEM.....1 | | 47 | 48932GT | FITTING,ELBOW,90D,520220-8***1 | |
| 15 | 88441-3640GT | HOSE ASSY,1 1/4"STR FEM,STR FE.....1 | | 48 | 48959GT | FITTING,ELBOW,90D,520220-12.....1 to SN 1244 | |
| 16 | 49149-5026GT | HOSE ASSY,3/4,45 FEM,STR FEM.....1 | | -- | 48960GT | FITTING,CONN,520120-12*** from SN 1245 | |
| 17 | 49116-5437GT | HOSE ASSY,1/4,45 FEM,STR FEM.....1 | | 49 | 49141-1763GT | HOSE ASSY,1/2,45 FEM,STR FEM.....1 to SN 1244 | |
| 18 | 49128-5409GT | HOSE ASSEMBLY,3/8".....1 | | -- | 162269GT | KIT, HI PRESS HOSE, Z80 from SN 1245 to 3264 must order hose replacement kit part 162269 for first time replacement of hose 49141-1763 (item 49) or hose 49149-2026 (item 29). Kit includes 2 hoses and needed fittings to filters | |
| 19 | 49116-4837GT | HOSE ASSY,1/4,45 FEM,STR FEM.....1 | | -- | 49143-2629GT | HOSE ASSY,1/2,90 FEM,STR FEM from SN 1245 | |
| 20 | 61073-8930GT | HOSE ASSY 3/4" 90 DEG STR FEM.....1 | | | | | |
| 21 | 49183-8792GT | HOSE ASSY,1/2,STR FEM,STR FEM.....1 | | | | | |
| 22 | 48916GT | CONN, 520120-6.....1 | | | | | |
| 23 | 49150-8430GT | HOSE ASSY,3/4,90 FEM,STR FEM.....1 | | | | | |
| 24 | 48947GT | ELBOW,90D,520220-8-12.....1 | | | | | |
| 25 | 94374-3530GT | HOSE ASSY,3/4,90 FEM,STR FEM.....1 | | | | | |
| 26 | 94374-3730GT | HOSE ASSY 3/4, 90 FEM,STR FEM.....1 | | | | | |
| 27 | 48947GT | ELBOW,90D,520220-8-12.....1 to SN 1244 | | | | | |
| -- | 48948GT | CONN,520120-8-12 from SN 1245 | | | | | |
| 28 | 49143-4829GT | HOSE ASSY,1/2,90 FEM,STR FEM.....1 | | | | | |
| 29 | 49149-2026GT | HOSE ASSY,3/4,45 FEM,STR FEM.....1 to SN 1244 | | | | | |
| -- | 162269GT | KIT, HI PRESS HOSE, Z80 from SN 1245 to 3264 must order hose replacement kit part 162269 for first time replacement of hose 49141-1763 (item 49) or hose 49149-2026 (item 29). Kit includes 2 hoses and needed fittings to filters | | | | | |
| -- | 61073-3130GT | HOSE ASSY,3/4,90 FEM,STR FEM from SN 1245 | | | | | |
| 30 | 49141-1763GT | HOSE ASSY,1/2,45 FEM,STR FEM.....1 | | | | | |

715.1 Hydraulic Hoses and Fittings - Boom Components

| Item | Part No. | Description | Qty. | Item | Part No. | Description | Qty. |
|------|----------------|--|------|------|--------------|---|------|
| -- | 49613GT | PLUG AND CAP KIT-SERVICE,ORFS* | | 33 | 48904GT | ELBOW,90D,520220-4-4.....2 to SN 2674; part of service kit 218697, refer to 501.1 | |
| -- | 48912GT | CONN,520120-4-6*** | | 34 | 48933GT | CONN,520120-8***.....2 to SN 2674; part of service kit 218697, refer to 501.1 | |
| 1 | 48912GT | CONN,520120-4-6***.....3 | | 35 | 48905GT | CONN,520120-4***.....1 to SN 2674; part of service kit 218697, refer to 501.1 | |
| 2 | 49117-2891GT | HOSE ASSY,1/4,90 FEM,STR FEM.....2 | | 36 | 48908GT | FITTING,TEE,RUN,SWIVEL520432-4.....1 to SN 2674; part of service kit 218697, refer to 501.1 | |
| 3 | 48907GT | ELBOW,45D,520320-4.....2 | | 37 | 48930GT | CONN,520120-6-8 | |
| 4 | 49119-4278GT | HOSE ASSY,1/4,STR FEM,STR FEM*....2 | | -- | 48933GT | CONN,520120-8*** to SN 2674; part of service kit 218697, refer to 501.1 | |
| 5 | 61268GT | CONN,BULKHEAD,520801,-4.....2 | | 38 | 48916GT | CONN, 520120-6.....9 | |
| 6 | 49119-6678GT | HOSE ASSY,1/4,STR FEM,STR FEM.....2 | | 39 | 49128-1409GT | HOSE ASSY 3/8, 90 FEM, STR FEM.....2 use if welder option installed | |
| 7 | 49117-12791SGT | HOSE ASSY,1/4" (#111/112,S125).....2 | | 40 | 61321GT | ELBOW,90D,BLKHD,ORFS-6-6 W/NUT.....2 use if welder option installed | |
| 8 | 49130-41082GT | HOSE ASSY 3/8, STR FEM,STR FEM....2 | | 41 | 48907GT | ELBOW,45D,520320-4.....3 to SN 3025 | |
| 9 | 61080GT | FITTING,6-6BLKHEADUNION 520601...3 | | -- | 61259GT | ELBOW,90D,LONG,521520-4 from SN 3026 | |
| 10 | 49130-79482GT | HOSE ASSY 3/8, STR FEM,STR FEM....2 | | 42 | 48907GT | ELBOW,45D,520320-4.....3 to SN 3025 | |
| 11 | 48915GT | ELBOW,90D,520220-6.....1 | | -- | 48904GT | ELBOW,90D,520220-4-4 from SN 3026 | |
| -- | 48920GT | ELBOW,45D,520320-6.....1 use if welder option installed | | | | | |
| 12 | 48915GT | ELBOW,90D,520220-6.....1 | | | | | |
| -- | 48916GT | CONN, 520120-6.....1 use if welder option installed | | | | | |
| 13 | 48933GT | CONN,520120-8***.....9 | | | | | |
| 14 | 49183-44392GT | HOSE ASSY,1/2,STR FEM,STR FEM.....2 | | | | | |
| 15 | 49183-42892GT | HOSE ASSY,1/2,STR FEM,STR FEM.....1 | | | | | |
| 16 | 48905GT | CONN,520120-4***.....3 | | | | | |
| -- | 48904GT | ELBOW,90D,520220-4-4 to SN 2674; part of service kit 218697, refer to 501.1 | | | | | |
| 17 | 49119-42878GT | HOSE ASSY,1/4,STR FEM,STR FEM.....1 | | | | | |
| 18 | 49183-41892GT | HOSE ASSY,1/2,STR FEM,STR FEM.....1 | | | | | |
| 19 | 61080GT | FITTING,6-6BLKHEADUNION 520601...1 | | | | | |
| 20 | 49143-16529GT | HOSE ASSY,1/2,90 FEM,STR FEM.....1 | | | | | |
| 21 | 49128-16509GT | HOSE ASSEMBLY 3/8".....1 | | | | | |
| 22 | 49128-11209GT | HOSE ASSY,3/8,90 FEM,STR FEM.....2 | | | | | |
| 23 | 49119-9778GT | HOSE ASSY,1/4,STR FEM,STR FEM.....1 | | | | | |
| 24 | 48904GT | ELBOW,90D,520220-4-4.....1 | | | | | |
| 25 | 48930GT | CONN,520120-6-8.....1 | | | | | |
| 26 | 49130-9782GT | HOSE ASSY,3/8 STR FEM-STR FEM.....1 | | | | | |
| 27 | 48913GT | CONN, 520120-4-6 0.030 ORIFICE.....1 | | | | | |
| 28 | 49130-41882GT | HOSE ASSY 3/8, STR FEM,STR FEM....1 | | | | | |
| 29 | 49183-9792GT | HOSE ASSY,1/2,STR FEM,STR FEM.....1 | | | | | |
| 30 | 49119-10388GT | HOSE ASSY,1/4,STR FEM,STR FEM.....1 to SN 2674; part of service kit 218697, refer to 501.1 | | | | | |
| 31 | 49183-1988GT | HOSE ASSY,1/2,STR FEM,STR FEM.....1 to SN 2674; part of service kit 218697, refer to 501.1 | | | | | |
| 32 | 49117-1388GT | HOSE ASSY,14,90 FEM,STR FEM.....1 to SN 2674; part of service kit 218697, refer to 501.1 | | | | | |

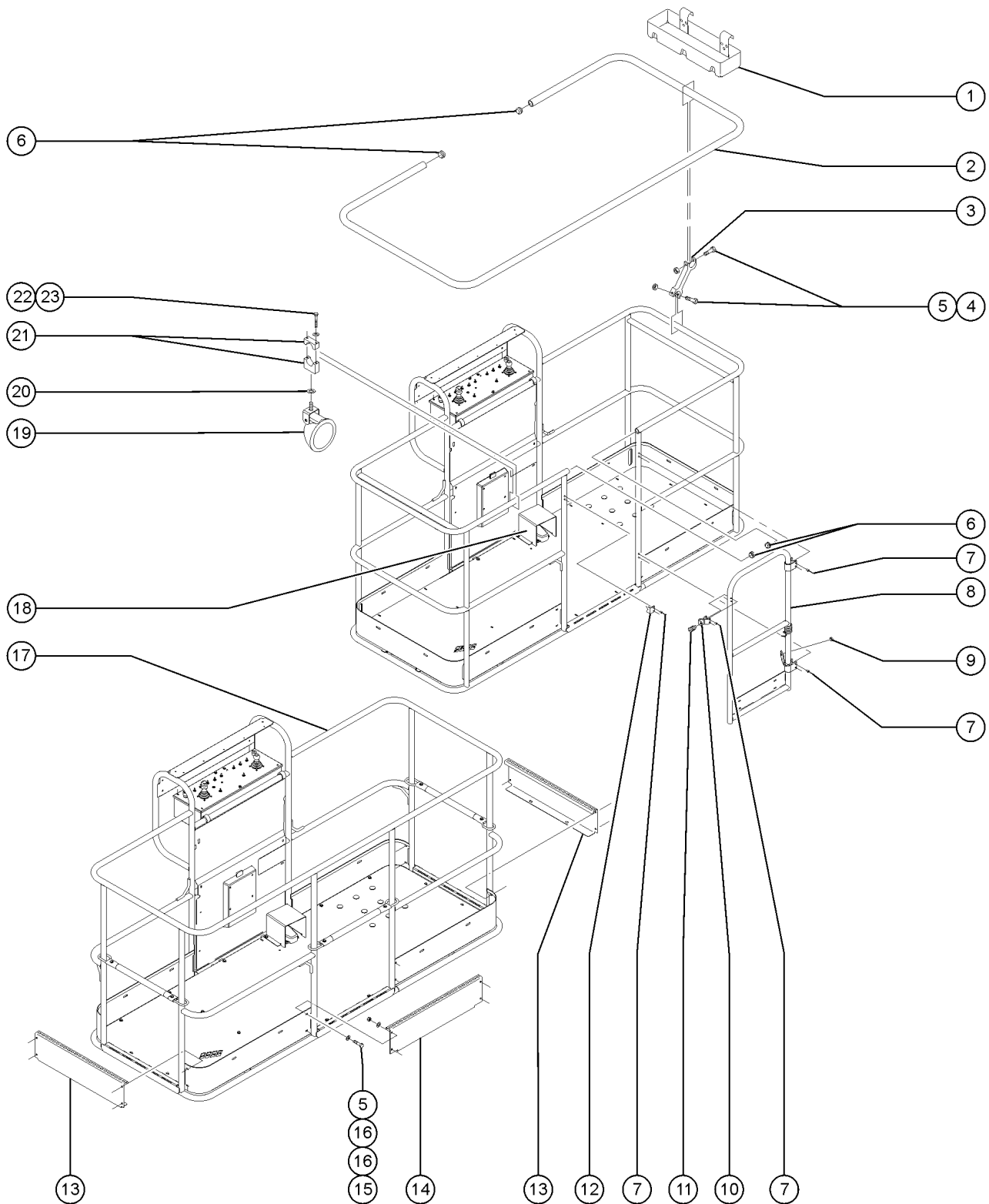
801.1 Alarm and Beacon Package, Driving Lights



801.1 Alarm and Beacon Package, Driving Lights

| Item | Part No. | Description | Qty. |
|------|-----------|---|------|
| -- | 70219GT | ALARM PKG,(BEACON,TRVL,DESCNT) | |
| -- | 88777-SGT | DRIVING LIGHTS,FRONT,Z80,SERV to SN 3584 | |
| -- | 75433GT | FUSE,20 AMP, AGC20 | |
| -- | 23083-SGT | FUSE HOLDER,WATERPROOF | |
| 1 | 107857GT | LIGHT, 12 VOLT.....2 to SN 6108 | |
| -- | 823520GT | ASSY, DRIVE LIGHT, 12V LED from SN 6109 | |
| -- | 35960GT | BULB,WORKLIGHT,12V 35W (part of 107857) | |
| -- | 88330GT | HARNES,DRIVE LIGHTS to SN 6108 | |
| -- | 1255094GT | HARNES, DRIVE LIGHTS, Z80 from SN 6109 | |
| 2 | 6147GT | SCREW,RHM,10-32 X 1 | |
| 3 | 6146GT | WASHER,FLAT,MS,#10,Y | |
| 4 | 6178GT | NUT,NYLOCK,10-32 | |
| 5 | 56704GT | STROBE,FIREBOLT,12-80VDC,AMB**...2 (replaced 20189) | |
| -- | 122019GT | FLASHTUBE,U SHAPED,360DEG,BULB | |
| -- | 226393GT | FLASHTUBE,STRAIGHT,360DEG,BULB | |
| -- | 72282GT | LENS,AMBER,STROBE,FIREBOLT | |
| -- | 88143GT | HARNES,FLASHING BEACON | |
| 6 | 229425GT | FORMING,DRIVE LIGHT LT,Z80.....1 from SN 3585 | |
| 7 | 6175GT | SCREW,HHC,3/8-16 X 1 from SN 3585 | |
| 8 | 6021GT | WASHER,LOCK,.375 from SN 3585 | |
| 9 | 29868GT | SPRING CLIP,3/8-16,.05-.20X.73,ZAG....4 from SN 3585 | |
| 10 | 229426GT | FORMING,DRIVE LIGHT,RT,Z80.....1 from SN 3585 | |
| 11 | 104328GT | NUT,HEX,1/2-13 GRD 8 from SN 3585 | |
| 12 | 13066GT | WASHER,FLAT,.5 HARDENED from SN 3585 | |
| 13 | 30973GT | BUMPER,RUBBER-1 X 1.25.....2 from SN 3585 | |
| 14 | 6037GT | NUT,HEX,5/16-18,GR5 from SN 3585 | |
| 15 | 6782GT | NUT,NYLOCK,5/16-18 from SN 3585 | |

802.1 Platform Accessories (to SN 6075)



802.1 Platform Accessories (to SN 6075)

| Item | Part No. | Description | Qty. | Item | Part No. | Description | Qty. |
|------|-----------|--|------|------|-----------|--|------|
| -- | 53808-SGT | AUX TOP RAIL,6'(1.25")SERVICE | | -- | 6889GT | NUT,LP NYLOCK,1/4-20 <i>from SN 1557</i> | |
| -- | 53807-SGT | AUX TOP RAIL,8'(1.25")SERVICE | | 6 | 55753GT | BUMPER, PLASTIC, 1.25 O.D..... | 4 |
| -- | 122278GT | AUX TOP RAIL,6',SWG GT, SRV | | 7 | 7265GT | RIVET,STEEL,P. .25 X .375..... | 14 |
| -- | 122279GT | AUX TOP RAIL,8',SWG GT, SRV | | 8 | 128368GT | KIT,SWING GATE W/SPRING..... | 1 |
| -- | 77851GT | FLOOR MOUNT D-RING KIT | | -- | 9596GT | HINGE CASTING | |
| -- | 27391GT | PROXIMITY SENSOR*** | | 8A | 119950GT | KIT,FIELD INSTALL,SWING GATE <i>includes 128368, 1487, 33674 and 1488</i> | |
| G | 1284764GT | WORKLIGHT,110V,250WATT,HALOGEN.2 | | -- | 9596GT | HINGE CASTING <i>Special welding requirements for installation of this component. Strongly suggest ordering 128368 OR contact Genie Service for welding requirements.</i> | |
| -- | 102721PGT | TOEBOARD,8'TRI ENTRY <i>includes items 5 and 13-16</i> | | 9 | 43392GT | BUMPER,BATTERY BOX & RAILS..... | 1 |
| -- | 102433GT | 6' TRI-ENT ASSY W/DECALS ANSI <i>USA and Canadian Models; to SN 800</i> | | 10 | 1487GT | GATE LATCH CASTING--DRILLED..... | 1 |
| -- | 235162GT | 8' TRI-ENT ASSY W/DECALS ANSI <i>USA and Canadian Models; to SN 800</i> | | 11 | 33674GT | PIN,LOCK,SHORT***..... | 1 |
| -- | 111294GT | 6' TRI-ENT ASSY W/DECALS ANSI <i>USA and Canadian Models; from SN 801</i> | | 12 | 1488GT | RAILING CATCH CASTING--DRILLED...1 | |
| -- | 111295GT | 8' TRI-ENT ASSY W/DECALS ANSI <i>USA and Canadian Models; from SN 801</i> | | 13 | 102721PGT | TOEBOARD,8'TRI ENTRY..... | 2 |
| -- | 102439GT | 8' TRI-ENT ASSY W/DECALS CE <i>European Models</i> | | -- | 139438GT | TOEBOARD, TRI ENTRY 6'; EURO | |
| -- | 102434GT | 6' TRI-ENT ASSY W/DECALS AUSTR <i>Australian Models; to SN 800</i> | | 14 | 94745PGT | TOEBOARD,ENTRY EUROPEAN PNTD**..... | 1 |
| -- | 102438GT | 8' TRI-ENT ASSY W/DECALS AUSTR <i>Australian Models; to SN 800</i> | | 15 | 6090GT | SCREW,HHC,1/4-20 X .75 | |
| -- | 111296GT | 6' TRI-ENT ASSY W/DECALS AUSTR <i>Australian Models; from SN 801</i> | | 16 | 6638GT | WASHER,FLAT,USS,1/4"Y | |
| -- | 111297GT | 8' TRI-ENT ASSY W/DECALS AUSTR <i>Australian Models; from SN 801</i> | | 17 | 107704GT | 6' TRI-ENT RAIL W/DECALS ANSI <i>USA and Canadian Models; to SN 800</i> | |
| -- | 102436GT | 6' TRI-ENT ASSY W/DECALS A/SOA <i>Asian and South American Models</i> | | -- | 107705GT | 8' TRI-ENT RAIL W/DECALS ANSI <i>USA and Canadian Models; to SN 800</i> | |
| -- | 102440GT | 8' TRI-ENT ASSY W/DECALS A/SOA <i>Asian and South American Models</i> | | -- | 107706GT | 8' TRI-ENT RAIL W/DECALS CE/UK <i>European Models</i> | |
| 1 | 9599-SGT | TOOL TRAY ACCESSORY***..... | 1 | -- | 107707GT | 6' TRI-ENT RAIL W/DECALS AUSTR <i>Australian Models</i> | |
| 2 | 1259704GT | PINCH GUARD RAIL,6' PLATFORM..... <i>includes 55753 bumpers</i> | 1 | -- | 107708GT | 8' TRI-ENT RAIL W/DECALS AUSTR <i>Australian Models</i> | |
| -- | 111485PGT | AUX TOP RAIL,6FT,PTD..... <i>or use with swing gate</i> | 2 | -- | 107709GT | 6' TRI-ENT RAIL W/DECALS A/SOA <i>Asian and South American Models</i> | |
| -- | 111486PGT | AUX TOP RAIL,8FT,PTD..... <i>or use with swing gate</i> | 2 | -- | 107710GT | 8' TRI-ENT RAIL W/DECALS A/SOA <i>Asian and South American Models</i> | |
| -- | 52661GT | PINCH GUARD RAIL,8' PLATFORM**.... | 1 | -- | 111319GT | 6' TRI-ENT RAIL W/DECALS ANSI <i>USA and Canadian Models; from SN 801</i> | |
| 3 | 139958GT | KIT, AUX TOP RAIL SUPPORT..... <i>to SN 1556</i> | 10 | -- | 111320GT | 8' TRI-ENT RAIL W/DECALS ANSI <i>USA and Canadian Models; from SN 801</i> | |
| -- | 122073GT | SUPPORT, RAILING..... <i>from SN 1557</i> | 20 | 18 | 128429GT | LARGE FOOT SWITCH COVER | |
| 4 | 4266GT | SCREW,HHC,1/4-20 X 2 <i>to SN 1556</i> | | 19 | 107858GT | WORKLIGHT,48 VOLT..... | 2 |
| -- | 122231GT | SCREW,BHSC,1/4-20 X 1 <i>from SN 1557</i> | | 19A | 35960GT | BULB,WORKLIGHT,12V 35W | |
| 5 | 6091GT | NUT,NYLOCK,1/4-20 <i>to SN 1556</i> | | 20 | 6036GT | WASHER,LOCK,.625 PLTD | |
| | | | | 21 | 35956GT | BRACKET,WORK LIGHT MOUNT 5/16"..... | 2 |
| | | | | 22 | 6145GT | SCREW,HHC,1/4-20 X 1.5 | |

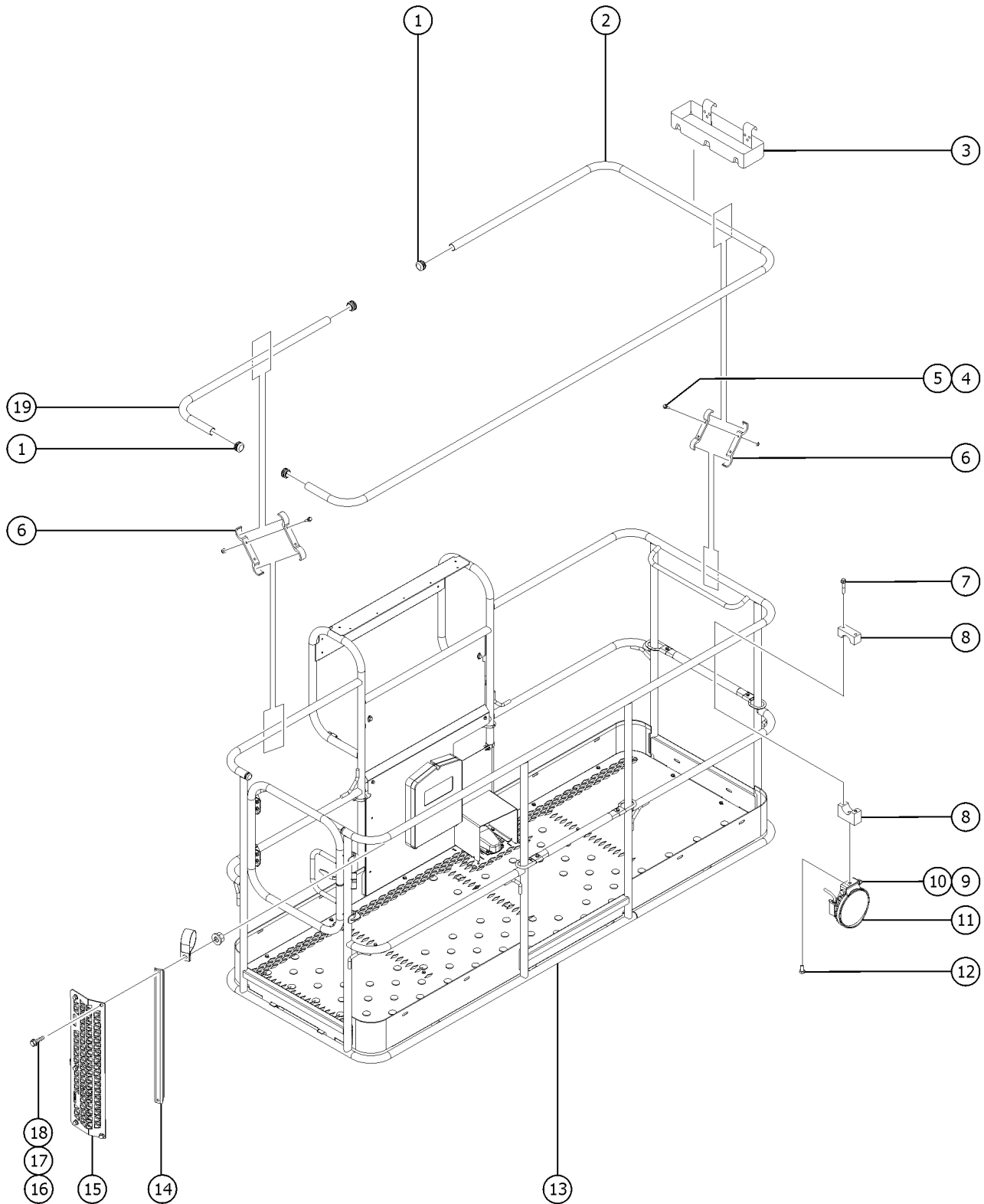


802.1 Platform Accessories (to SN 6075)
(continued)

| Item | Part No. | Description | Qty. |
|------|----------|-----------------|------|
| 23 | 6356GT | WASHER,LOCK,.25 | |

This Page Intentionally Left Blank

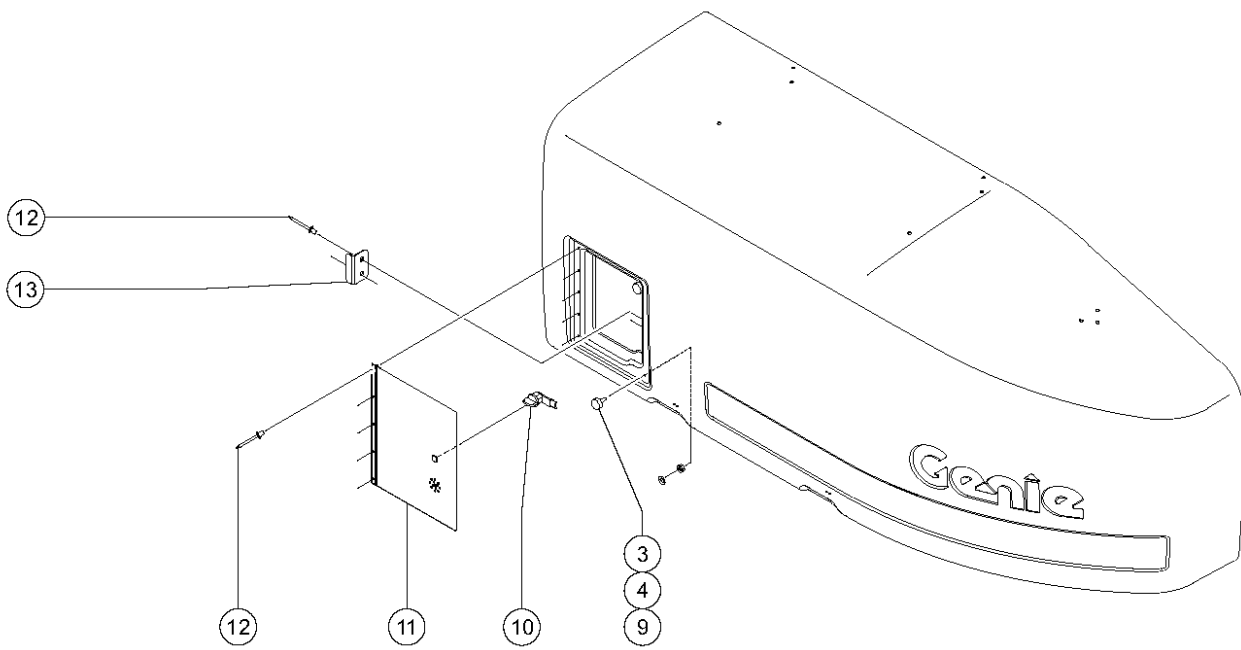
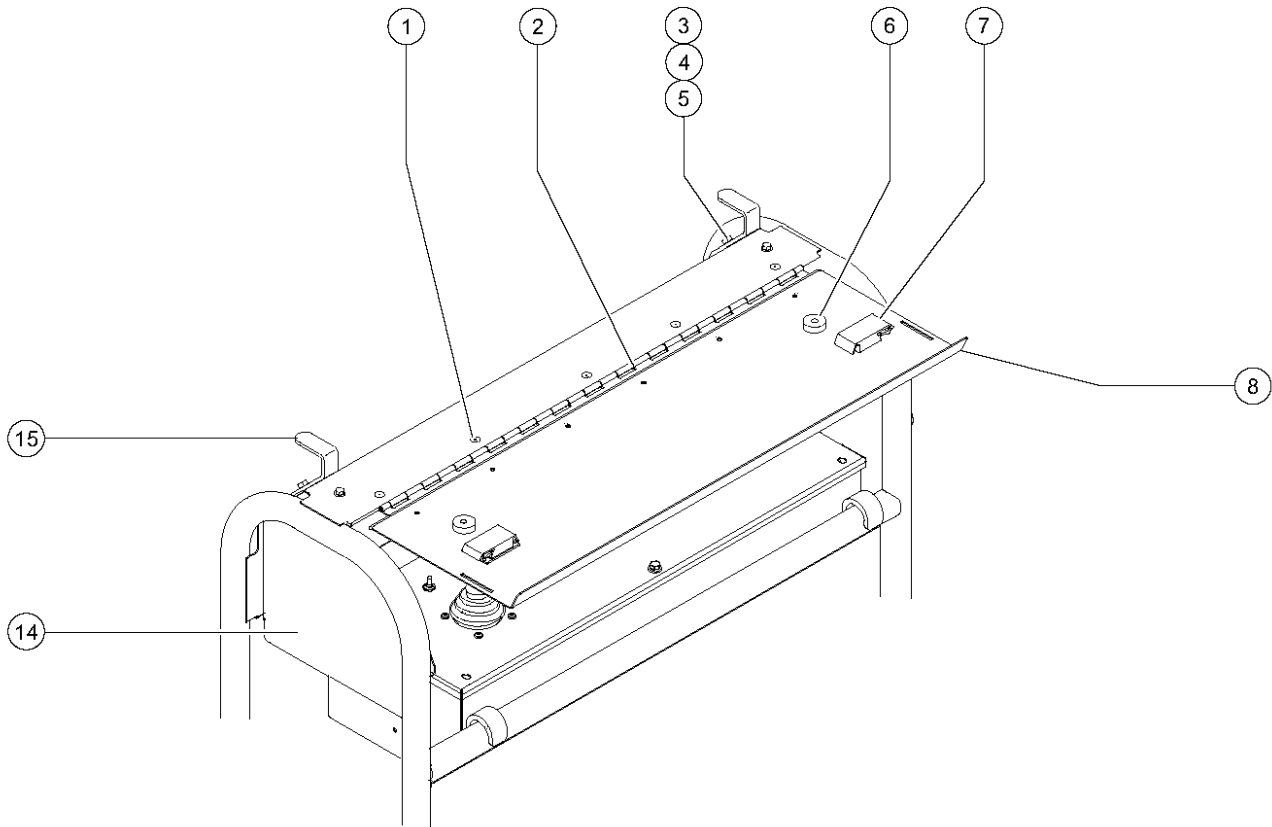
802.2 Platform Accessories (from SN 6076)



802.2 Platform Accessories (from SN 6076)

| Item | Part No. | Description | Qty. |
|------|-----------|---|------|
| A | 1255091GT | ASSY, WORK LIGHTS, Z80..... | 1 |
| B | 1255092GT | HARNES, WORK LIGHTS, Z80..... | 1 |
| C | 1279765GT | KIT,LATCH GUARD..... | 1 |
| 1 | 55753GT | BUMPER, PLASTIC, 1.25 O.D..... | 4 |
| 2A | 1271077GT | AUX RAIL, 8' PLAT, TRI-ENTRY..... (8 foot Platform) | 1 |
| 2B | 1270570GT | AUX RAIL, 6' PLAT, SIDE ENTRY..... (6 foot Platform) | 1 |
| 3 | 9599-SGT | TOOL TRAY ACCESSORY***..... | 1 |
| 4A | 824079GT | SCREW,HHF,1/4-20X1,8,ZAG..... (8 foot Platform) | 26 |
| 4B | 824079GT | SCREW,HHF,1/4-20X1,8,ZAG..... (6 foot Platform) | 22 |
| 5A | 824027GT | NUT,TL FLG,1/4-20,G,ZAG..... (8 foot Platform) | 26 |
| 5B | 824027GT | NUT,TL FLG,1/4-20,G,ZAG..... (6 foot Platform) | 22 |
| 6A | 122073GT | SUPPORT, RAILING..... (8 foot Platform) | 26 |
| 6B | 122073GT | SUPPORT, RAILING..... (6 foot Platform) | 22 |
| 7 | 824081GT | SCREW,HHF,1/4-20X1.5,8,ZAG..... | 4 |
| 8 | 35956GT | BRACKET,WORK LIGHT MOUNT 5/16"..... | 2 |
| 9 | 75185GT | SCREW,HHC,M8X1.25X 70MM,GR8.8...2 | 2 |
| 10 | 1260688GT | NUT,NYLOCK,M8-1.25,DIN985,A270....2 | 2 |
| 11 | 1282993GT | ASSY,WORK LIGHT,12V LED..... <i>includes item 9</i> | 2 |
| 12 | 824085GT | SCREW,HHF,5/16-18X.75,8,ZAG..... | 2 |
| 13 | | Ref.WELDMENT, PLATFORM..... (refer to 601.2) | 1 |
| 14 | 1277966GT | TUBE,SQ,STL, 1.00 x 1.00 x .120..... | 1 |
| 15 | 1277952GT | GUARD, SWING GATE..... | 1 |
| 16 | 824086GT | SCREW,HHF,5/16-18X1,8,ZAG..... | 5 |
| 17 | 56424GT | CLAMP,1.25X.5 RUBBER-CUSHION....5 | 5 |
| 18 | 824028GT | NUT,TL FLG,5/16-18,G,ZAG..... | 5 |
| 19A | 1271078GT | AUX RAIL, 8' PLAT, TRI-ENTRY..... (8 foot Platform) | 1 |
| 19B | 1270571GT | AUX RAIL, 6' PLAT, SIDE ENTRY..... (6 foot Platform) | 1 |

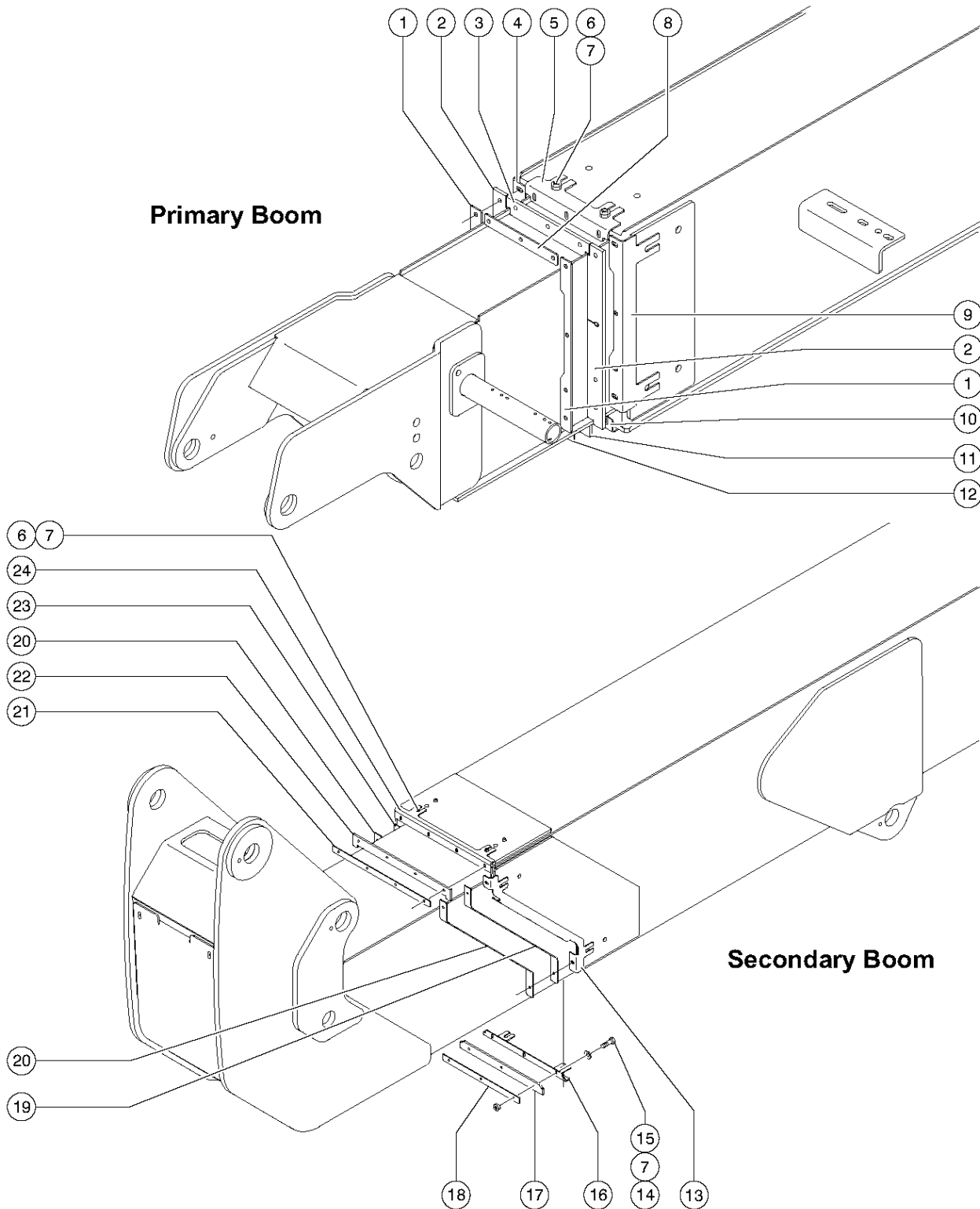
803.1 Ground and Platform Control Box Covers



803.1 Ground and Platform Control Box Covers

| Item | Part No. | Description | Qty. |
|------|-----------|--|------|
| -- | 119795GT | KIT,CONTROL BOX COVER to SN 141 | |
| -- | 88609-SGT | CONTROL BOX COVER ASSY*** from SN 142 to SN 599 | |
| -- | T109328GT | ACC,PLAT CONTROL COVER, SERV from SN 600 | |
| -- | 102855GT | BASE & PLAT CONTROL COVERS | |
| 1 | 54486GT | RIVET,ALUM,ALUM,3/16BUTTONHEAD.11 | |
| 2 | 111526GT | HINGE,PLAT CONTROL BOX COVER...1 | |
| 3 | 6889GT | NUT,LP NYLOCK,1/4-20 | |
| 4 | 6638GT | WASHER,FLAT,USS,1/4"Y | |
| 5 | 6888GT | SCREW,HHC,1/4-20 X 1 | |
| 6 | 43392GT | BUMPER,BATTERY BOX & RAILS.....2 | |
| 7 | 30468GT | LATCH,SLIDE, FLUSH MOUNT STYLE.....2 | |
| 8 | 102676GT | LID ASSY,CONTROL BOX COVER PLT.....1 includes items 1, 3- 8 and 15 | |
| -- | 102785PGT | CONTROL BOX COVER,LID,PTD | |
| 9 | 36388GT | BUMPER,RUBBER,.75 X .50H,STUD....2 | |
| 10 | 63773GT | LATCH,GRND.CTRL.BOX COVER.....1 | |
| 11 | 63771PGT | COVER,GRND.CTRL.BOX,PAINTED....1 | |
| 12 | 53189GT | RIVET,ALUM,ALUM,P,.25X.375.....7 | |
| 13 | 63772GT | CATCH,GRND.CTRL.BOX COVER.....1 | |
| 14 | 88607PGT | COVER,CONTROL BOX LEFT SIDE***.....1 | |
| -- | 88606PGT | COVER,CONTROL BOX RIGHT SIDE** shown | |
| 15 | 102786PGT | FORMING,LATCH,CTRL BOX LID PTD.....2 | |

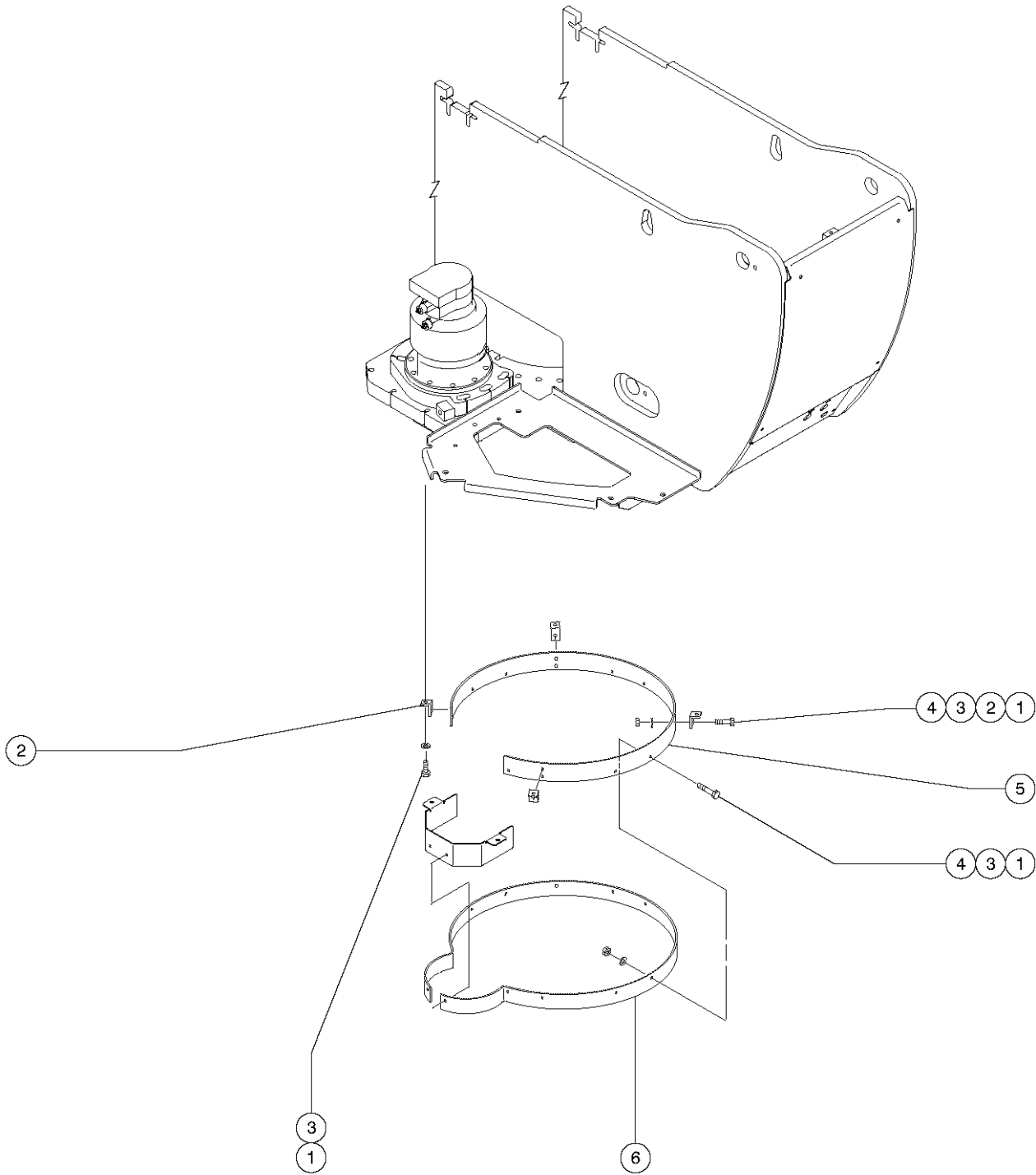
804.1 Hostile Environment Package - Primary and Secondary Boom Wipers



804.1 Hostile Environment Package - Primary and Secondary Boom Wipers

| Item | Part No. | Description | Qty. |
|------|----------|---|------|
| -- | 77783GT | OPTION,BASE CONTROL DOOR | |
| -- | 88263GT | COVER,CABLE 170.5" | |
| 1 | 88427PGT | BRACKET,PRIMARY SIDE WIPER.....2 | |
| 2 | 88428GT | WIPER,PRIMARY BOOM SIDE.....2 | |
| 3 | 88425GT | WIPER,PRIMARY BOOM,TOP.....1 | |
| 4 | 88429PGT | BRACKET,PRIMARY SIDE WIPER LH....1 | |
| 5 | 88423PGT | BRACKET,PRIMARY TOP WIPER.....1 | |
| 6 | 6090GT | SCREW,HHC,1/4-20 X .75 | |
| 7 | 6638GT | WASHER,FLAT,USS,1/4"Y | |
| 8 | 88424PGT | PLATE,PRIMARY TOP WIPER.....1 | |
| 9 | 88426PGT | BRACKET,PRIMARY SIDE WIPER.....1 | |
| 10 | 88430GT | BRACKET,PRIMARY BOTTOM WIPER.....1 | |
| 11 | 88432GT | WIPER,PRIMARY BOOM BOTTOM.....1 | |
| 12 | 88431PGT | PLATE,PRIMARY BOTTOM WIPER.....1 | |
| 13 | 88308PGT | BRACKET,WIPER,SIDE,RISER,LH.....1 | |
| 14 | 6878GT | BOLT,CARRIAGE,1/4-20 X .75,G2 | |
| 15 | 6889GT | NUT,LP NYLOCK,1/4-20 | |
| 16 | 88304PGT | BRACKET,RISER,BOTTOM PAINTED...1 | |
| 17 | 88305GT | WIPER,BOTTOM,RISER.....1 | |
| 18 | 88306PGT | BACKING PLATE,BOTTOM,RISER.....1 | |
| 19 | 88309GT | WIPER,SIDE.....2 | |
| 20 | 88310PGT | BRACKET,RISER SIDE WIPER.....2 | |
| 21 | 88303PGT | BACKING PLATE,TOP,RISER PAINTE.....1 | |
| 22 | 88302GT | WIPER,TOP,RISER.....1 | |
| 23 | 88307PGT | BRACKET,WIPER,SIDE,RISER,RH.....1 | |
| 24 | 88301PGT | BRACKET,WIPER,TOP,RISER PAINTE.....1 | |

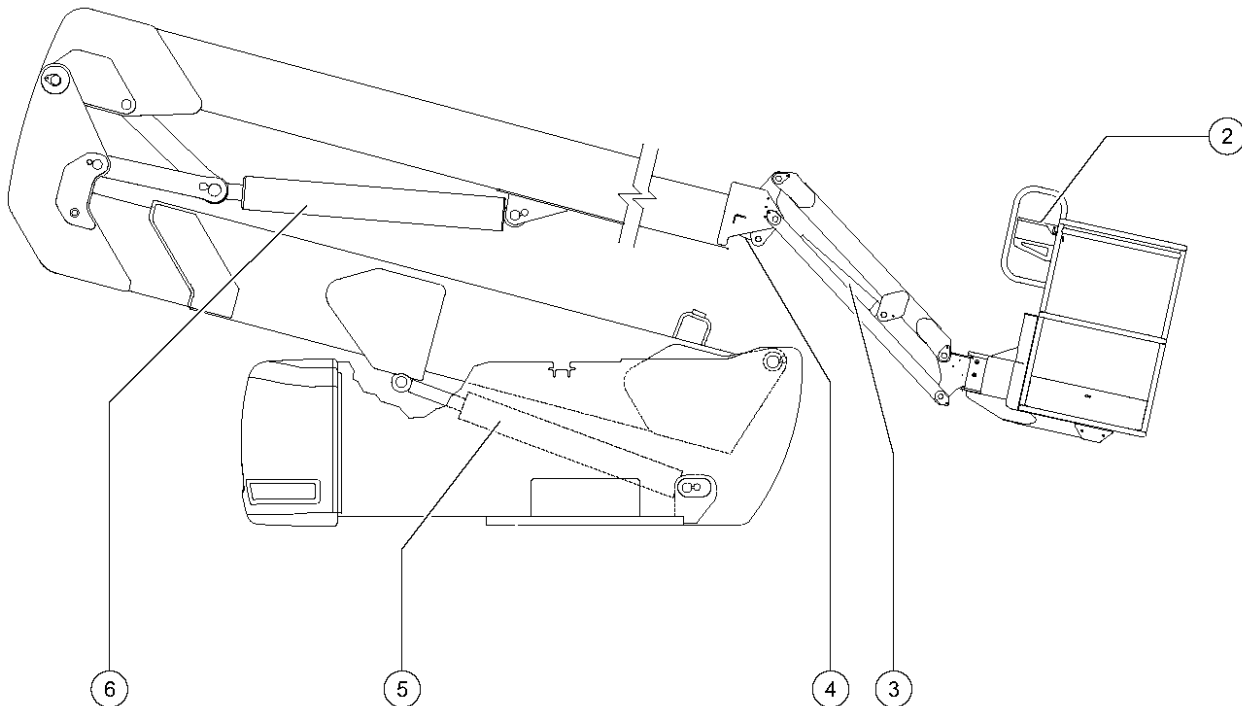
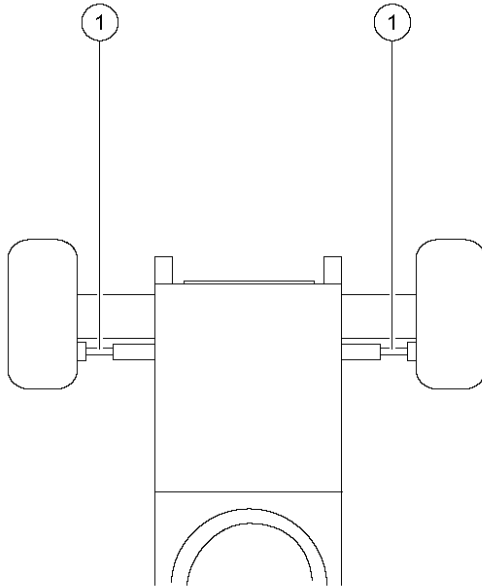
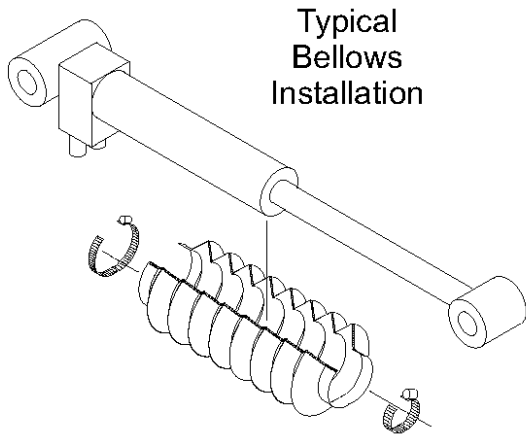
805.1 Hostile Environment Package - Turntable



805.1 Hostile Environment Package - Turntable

| Item | Part No. | Description | Qty. |
|------|-----------|---------------------------------|------|
| 1 | 6090GT | SCREW,HHC,1/4-20 X .75 | |
| 2 | 81062PGT | ANGLE,RING GUARD *PAINTED.....4 | |
| 3 | 6638GT | WASHER,FLAT,USS,1/4"Y | |
| 4 | 6889GT | NUT,LP NYLOCK,1/4-20 | |
| 5 | 102485PGT | BRACKET,RING GEAR.....1 | |
| 6 | 102486GT | WIPER,RING GEAR.....1 | |

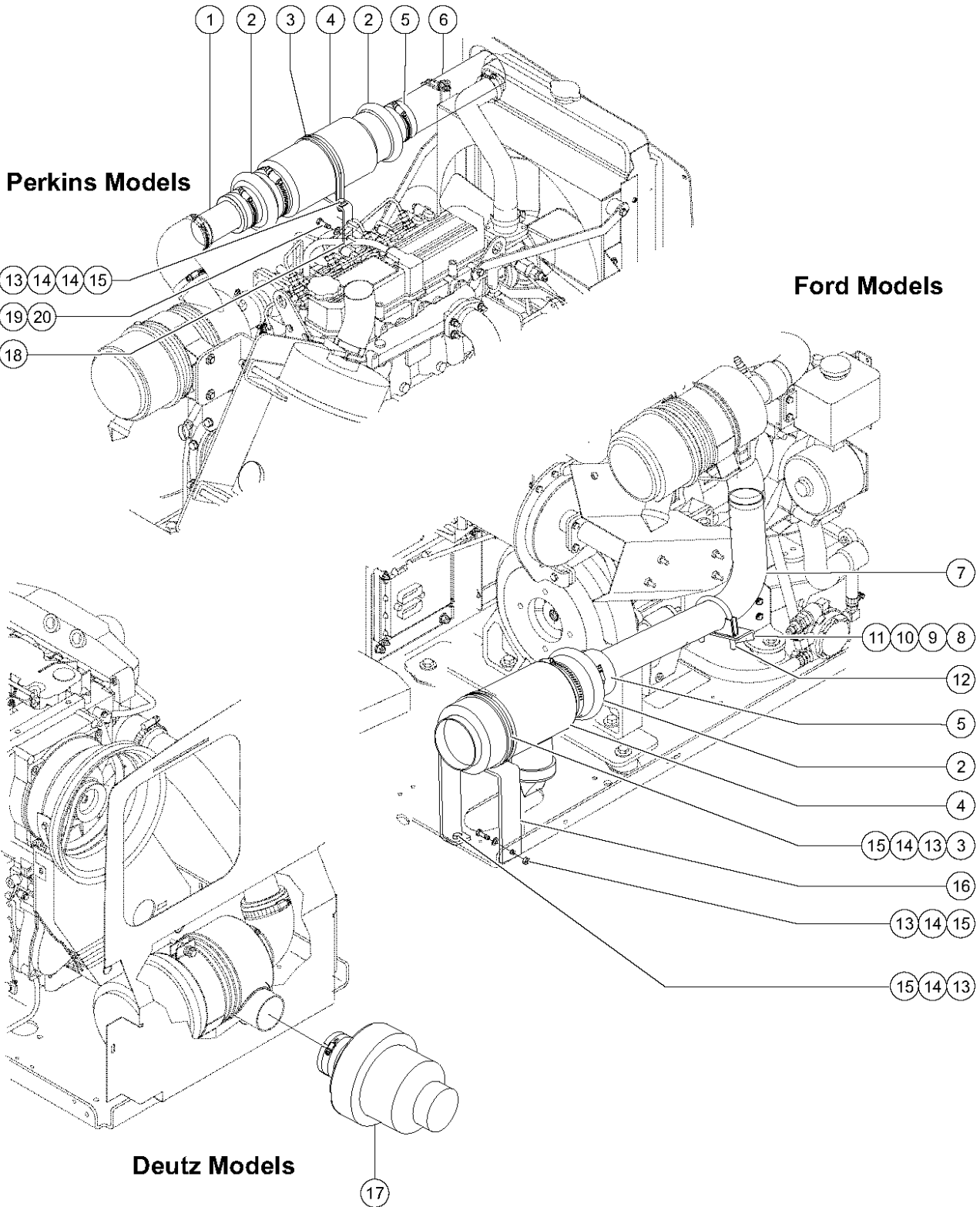
806.1 Hostile Environment Package - Cylinder Bellows



806.1 Hostile Environment Package - Cylinder Bellows

| Item | Part No. | Description | Qty. |
|------|----------|---|------|
| -- | 81700GT | COVER,PROTECTIVE,OSC.CYLINDER | |
| 1 | 34533GT | COVER,PROTECTIVE,STEER CYL.....2 | |
| -- | 30971GT | CLAMP,HOSE,3.00" | |
| -- | 36208GT | CLAMP,HOSE,1.25*** | |
| 2 | 82244GT | DECAL,PROTECTOR,CLEAR***.....1 | |
| 3 | 88215GT | COVER,PROTECTIVE,JIB BOOM CYL.....1 | |
| -- | 30489GT | CLAMP,HOSE,3.50 | |
| -- | 35434GT | CLAMP,HOSE,2.00*** | |
| 4 | 88216GT | COVER,PROTECTIVE,PLAT LEVL CYL.....1 | |
| -- | 30489GT | CLAMP,HOSE,3.50 | |
| -- | 45435GT | CLAMP,HOSE,2.50"*** | |
| 5 | 88214GT | COVER,PROTECTIVE,RISERLIFT CYL.....1 | |
| -- | 34955GT | CLAMP,HOSE,5.00 | |
| -- | 35432GT | CLAMP,HOSE,6.50 | |
| 6 | 88213GT | COVER,PROTECTIVE,PRI.LIFT CYL.....1 | |
| -- | 31523GT | CLAMP,HOSE,8.50 DIA*** | |
| -- | 34955GT | CLAMP,HOSE,5.00 | |

807.1 Hostile Environment Package - Engine Air Cleaners

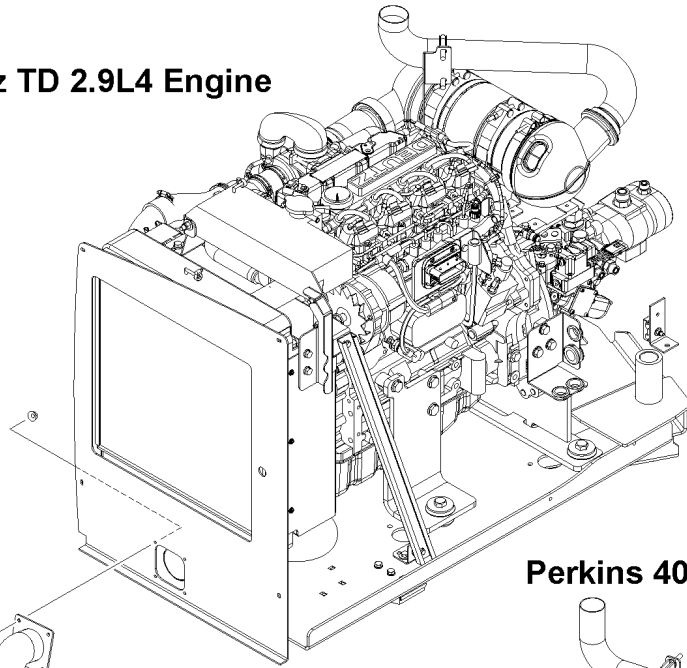


807.1 Hostile Environment Package - Engine Air Cleaners

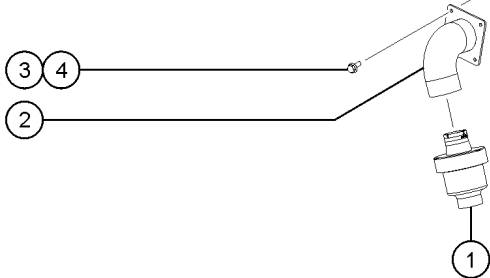
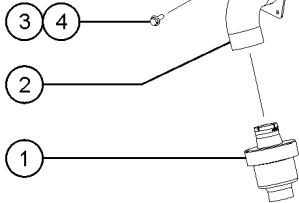
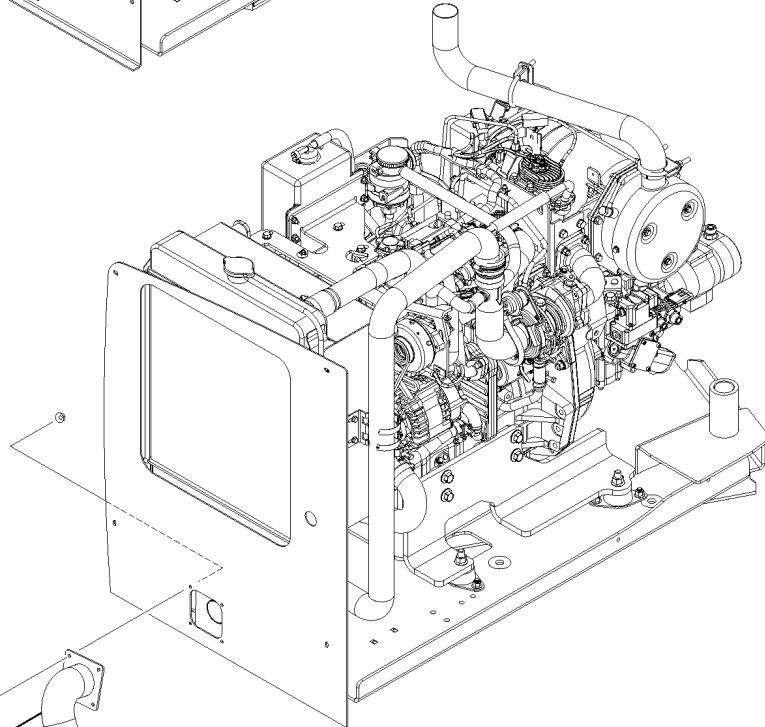
| Item | Part No. | Description | Qty. |
|------|--------------|--|------|
| -- | 70228GT | HOSTILE ENVIRONMENT,PERKINS to SN 328 | |
| -- | 101635GT | OPT,AIR PRECLEANER,PERKINS from SN 329 | |
| -- | 70510GT | ACC,AIR PRE-CLEANER,FORD T2 to SN 432 | |
| -- | | PRECLEANER OPTION,FORD,Z80 from SN 433, Part is no longer available | |
| -- | 102003PGT | FORMING,BAFFLE PLATE COVER | |
| -- | 70227GT | HOSTILE ENVIRONMENT,DEUTZ to SN 387 | |
| -- | 70514GT | OPT,AIR PRECLEANER,DEUTZ from SN 388 | |
| -- | 70353GT | HOSTILE ENVIRONMENT,GM | |
| 1 | 94324-500GT | TUBE,RD,STL,ALUMIZD,2.5 X .065.....1 | |
| 2 | 88492GT | HOSE,HUMP 3" TO 4".....2 | |
| -- | 30971GT | CLAMP,HOSE,3.00" | |
| -- | 34955GT | CLAMP,HOSE,5.00 | |
| 3 | 101639GT | CLAMP,5.38,#86 X 3/8,RUB CUSH.....1 | |
| 4 | 88493GT | PRECLEANER,AIR INTAKE.....1 | |
| 5 | 101640GT | REDUCER,RUBBER 3.0 - 2.5.....1 | |
| 6 | 94324-1400GT | TUBE,RD,STL,ALUMIZD,2.5 X .065.....1 | |
| 7 | 102713GT | TUBE,INTAKE,PRECLEANER.....1 | |
| 8 | 102373PGT | FORMING,INTAKE TUBE SUPPORT,PT.....1 | |
| 9 | 6888GT | SCREW,HHC,1/4-20 X 1 | |
| 10 | 6638GT | WASHER,FLAT,USS,1/4"Y | |
| 11 | 6091GT | NUT,NYLOCK,1/4-20 | |
| 12 | 71911GT | CLAMP,MUFFLER, 2.50 INCH.....1 | |
| 13 | 6019GT | SCREW,HHC,3/8-16 X 1.25 GRD 5 | |
| 14 | 5397GT | WASHER,FLAT,USS,5/16",Y | |
| 15 | 4828GT | NUT,NYLOCK,3/8-16 | |
| 16 | 102714PGT | FORMING,PRECLEANER SUPPORT,PNT.....1 | |
| 17 | 89959GT | PRECLEANER,INLINE 3".....1 | |
| -- | 30971GT | CLAMP,HOSE,3.00" | |
| 18 | 101612PGT | BRACKET,PRECLEANER PAINTED.....1 | |
| 19 | 49379GT | SCREW,HHC,M8 X 1.25 X 25 | |
| 20 | 33277GT | WASHER,FLAT,M8,YELLOW ZINC | |

807.2 Engine Air Cleaners (Perkins 404F-22T and Deutz TD 2.9L4)

Deutz TD 2.9L4 Engine



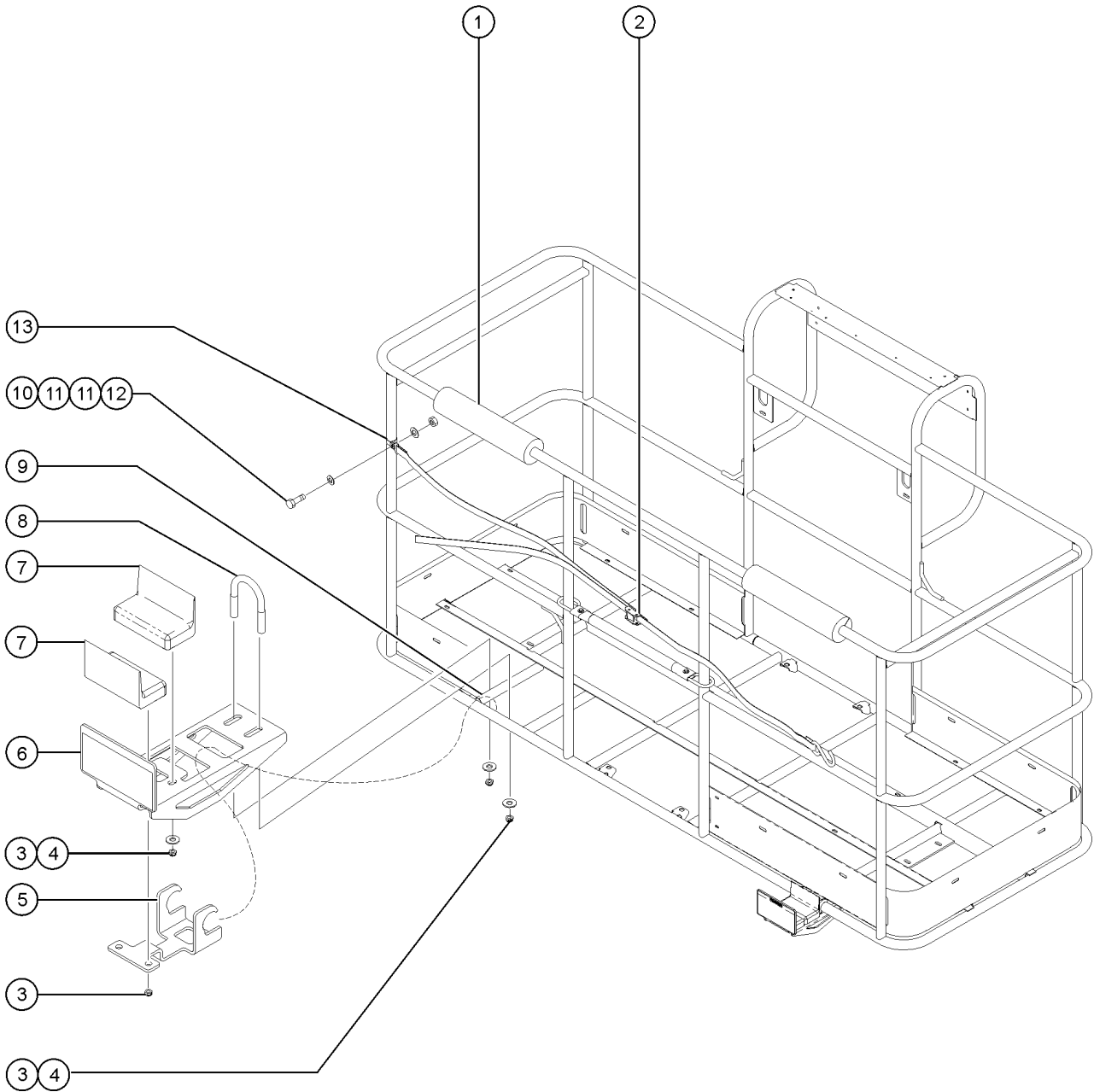
Perkins 404F-22T Engine



807.2 Engine Air Cleaners (Perkins 404F-22T and Deutz TD 2.9L4)

| Item | Part No. | Description | Qty. |
|------|----------|--|------|
| -- | 825947GT | OPT, PRECLEANER, DEUTZ/PERKINS | |
| 1 | 89959GT | PRECLEANER, INLINE 3"..... | 1 |
| -- | 30971GT | CLAMP, HOSE, 3.00" | |
| 2 | 825948GT | WELDMENT, PRECLEANER MT, DEUTZ/PERKINS..... | 1 |
| 3 | 121419GT | SCREW, HHF, 1/4-20 X .75..... | 4 |
| 4 | 121421GT | NUT, FLG, 1/4-20..... | 4 |

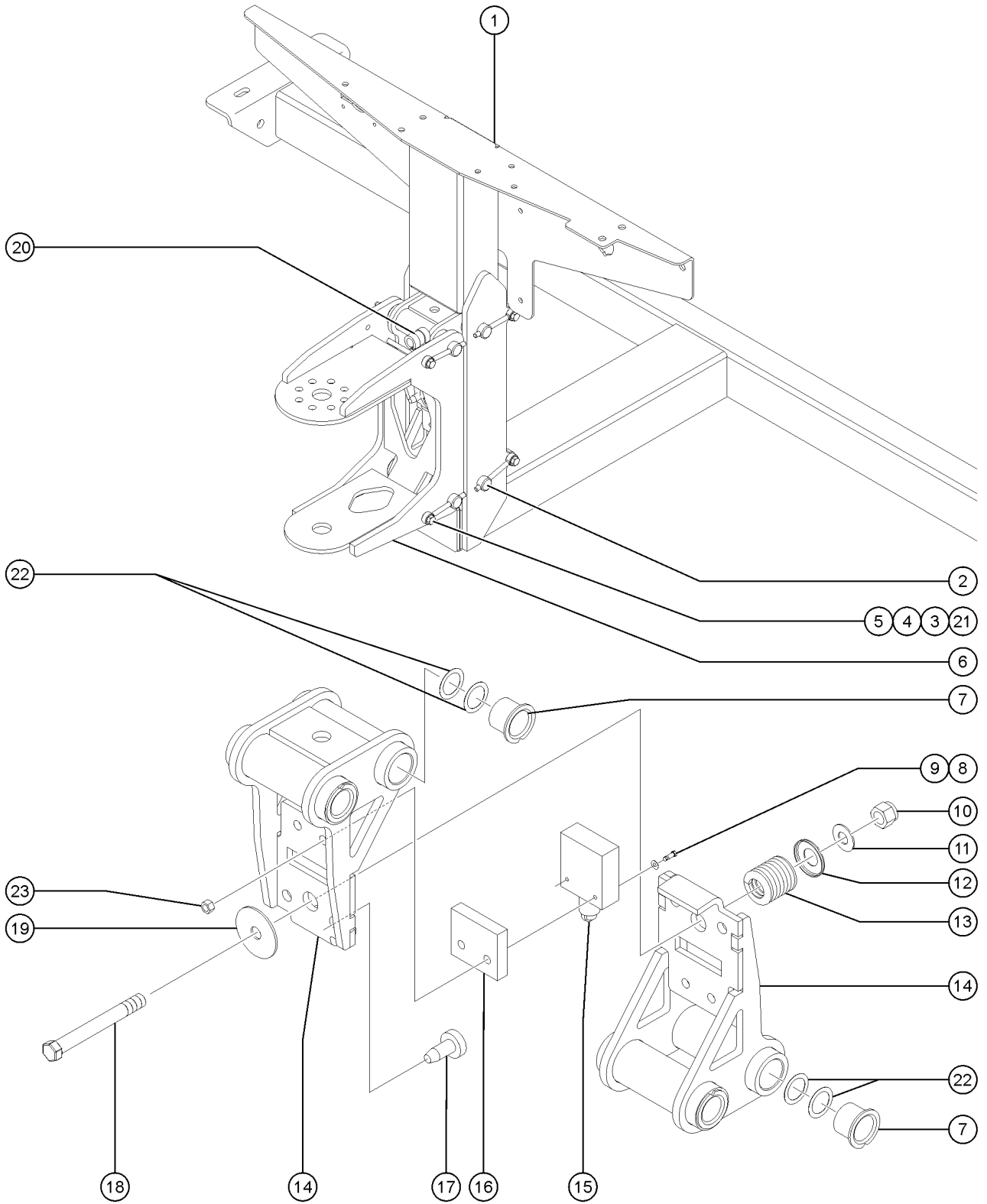
808.1 Panel Cradle Option



808.1 Panel Cradle Option

| Item | Part No. | Description | Qty. |
|------|--------------|---|------|
| -- | 77683GT | ACCESSORY,PANEL CRADLE,ANSI (ANSI/CSA models) | |
| -- | 94493-SGT | KIT,PANEL CRADLE,CE (CE models) Not allowed for AUS installation | |
| 1 | 88377-1400GT | FOAM PAD, 3" OD X 1.25" ID X 14 IN.....2 | |
| 2 | 77664GT | ADJUSTABLE STRAP ASSY.....1 | |
| 3 | 1274322GT | NUT,NYLOCK FLG,3/8-16,F,ZAG.....8 | |
| 4 | 5397GT | WASHER,FLAT,USS,5/16",Y for machines before 2010 | |
| 5 | 228849GT | FORMING,SECONDARY SUPPORT.....2 77576P is no longer available. For machines before 2010, must install Qty 2 service kit 233992 (ANSI) or 233993 (CE) for initial replacement. | |
| 6 | 228848GT | FORMING PANEL CRADLE.....2 89724 is no longer available. For machines before 2010, must install Qty 2 service kit 233992 (ANSI) or 233993 (CE) for initial replacement. | |
| -- | 233992GT | KIT,PANEL CRADLE BRACKET,WORD.....1 (ANSI models) (includes hook, panel support bracket and installation instructions) | |
| -- | 233993GT | KIT,PANEL CRADLE BRACKET,SYMBL.....1 (CE models) (includes hook, panel support bracket and installation instructions) | |
| 7 | 56934GT | PAD,REST,1"THICK,FLANGED.....4 | |
| 7A | 824038GT | NUT, TL JAM, 3/8-16, A, ZAG.....4 for 56934 | |
| 8 | 1251600GT | U-BOLT, FLATTENED, 1.5 X 3/8 UNC,ZAG.....2 | |
| 9 | 73463-1175GT | TUBE, RD, ALUM, 1.25 X .083 X 11.75...2 | |
| 10 | 1256855GT | SCREW,HHF,1/4-20X.625,8,ZAG.....1 | |
| 11 | 6638GT | WASHER,FLAT,USS,1/4"Y for machines before 2010 | |
| 12 | 1277924GT | NUT,NYLOCK FLG,1/4-20,F,ZAG.....1 | |
| 13 | 56424GT | CLAMP,1.25X.5 RUBBER-CUSHION.....1 | |

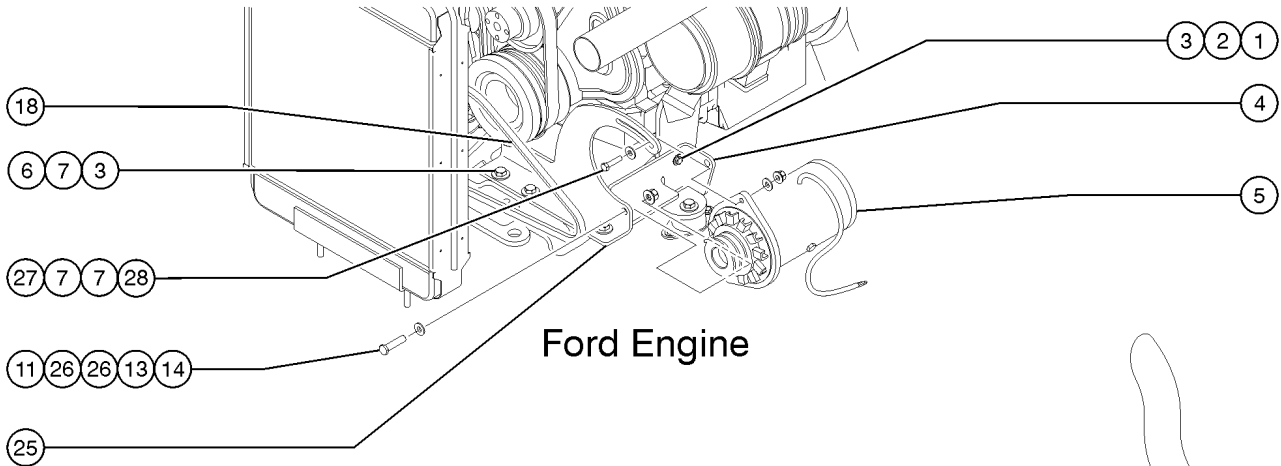
809.1 Platform Overload - European Models



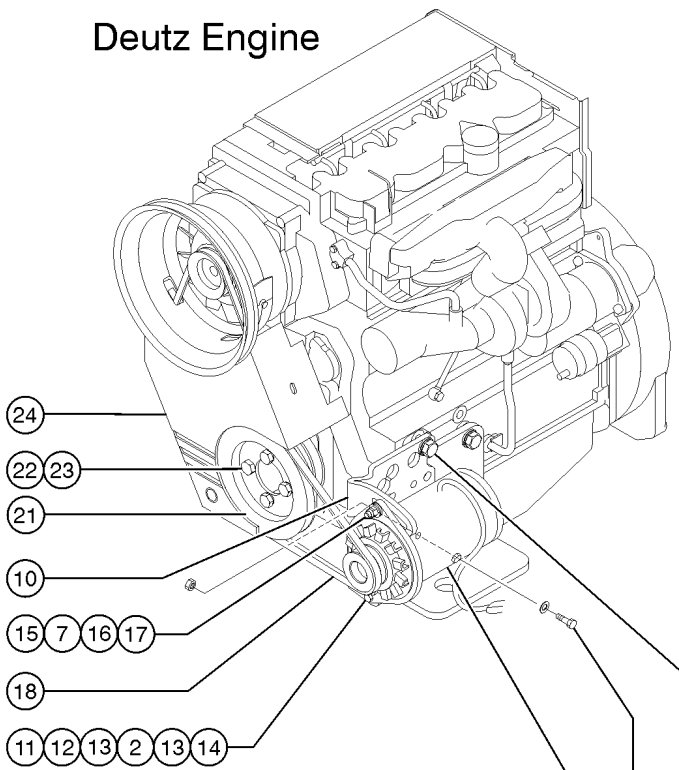
809.1 Platform Overload - European Models

| Item | Part No. | Description | Qty. | Item | Part No. | Description | Qty. |
|------|-----------|---|------|------|----------|--|------|
| -- | 94448GT | FIELD KIT,PLAT LOAD SENSE,Z80* to SN 229 | | -- | 824095GT | SCREW,HHF,3/8-16X3,8,ZAG from SN 5630 | |
| -- | 94460-SGT | KIT,LOAD SENSE MECHANICAL,LRG this kit doesn't include item 15; from SN 230 | | 19 | 80605GT | WASHER,FLAT,3/8X1.5X.06 to SN 5629 | |
| -- | 119672GT | CE FIELD SHIM KIT LOAD SENSE field shim kit, includes items 7 and 22 | | 20 | 45470GT | CLAMP,0.31,#5 X 1/4,RUB CUSH.....1 | |
| 1 | 61997GT | WELDMNT,PLATFORM SUPPORT,CE.....1 European Models | 1 | -- | 824027GT | NUT,TL FLG,1/4-20,G,ZAG | |
| 2 | 61726GT | PIN,0.75DIAX5.75LG,CHAMFER.....4 | 4 | -- | 824078GT | SCREW,HHF,1/4-20X.75,8,ZAG | |
| -- | 94643GT | ZERK,GREASE,5/16-24,STRAIT | | 21 | 6638GT | WASHER,FLAT,USS,1/4"Y to SN 5629 | |
| 3 | 8915GT | SCREW,HHC,1/4-20 X 1.25 to SN 5629 | | 22 | 110789GT | WASHER,SHIM .0151 THK.....16 | |
| -- | 824061GT | SCREW,HHC,1/4-20X1.25,8,ZAG from SN 5630 | | 23 | 5365GT | NUT,NYLOCK,10-24 to SN 5629 | |
| 4 | 45748GT | ROD END,.250 X 2.75 LG.....4 to SN 5629 | 4 | -- | 824032GT | NUT,TL FLG,10-32,F,ZAG from SN 5630 | |
| -- | 825020GT | ROD END, .25 X 2.75, ZAG from SN 5630 | | | | | |
| 5 | 6091GT | NUT,NYLOCK,1/4-20 to SN 5629 | | | | | |
| 5 | 824027GT | NUT,TL FLG,1/4-20,G,ZAG from SN 5630 | | | | | |
| 6 | 101845GT | ROTATOR MOUNT KIT.....1 | 1 | | | | |
| 7 | 25685GT | BEARING,GARLOCK,12FDU12.....8 | 8 | | | | |
| 8 | 51063GT | SCREW,PHILLIPS,RHM,10-32 X 1.5 to SN 5629 | | | | | |
| -- | 1257264GT | SCREW,BHC,10-32X1.5,F835,ZAG from SN 5630 | | | | | |
| 9 | 6146GT | WASHER,FLAT,MS,#10,Y to SN 5629 | | | | | |
| 10 | 4828GT | NUT,NYLOCK,3/8-16 to SN 5629 | | | | | |
| -- | 824029GT | NUT,TL FLG,3/8-16,G,ZAG from SN 5630 | | | | | |
| 11 | 6097GT | WASHER,FLAT,USS,3/8",Y to SN 5629 | | | | | |
| 12 | 61975GT | RETAINER,SPRING,1.21 X .375.....1 | 1 | | | | |
| 13 | 61974GT | SPRING,COMP,1" OD,232 LB/IN.....1 | 1 | | | | |
| 14 | 89755GT | LOAD SUPPORT W/BEARINGS.....2 includes item 7 and 22 | 2 | | | | |
| 15 | 94549GT | SWITCH,LOAD LIMIT.....1 to SN 2510 | 1 | | | | |
| -- | 146399GT | ASSY, LS, LOAD SENSE, ALC1000 from SN 2511 | | | | | |
| 16 | 61972GT | MOUNT,SWITCH.....1 | 1 | | | | |
| 17 | 34619GT | BUMPER,RUBBER***2 | 2 | | | | |
| 18 | 21604GT | SCREW,HHC,3/8-16 X 3.25 to SN 5629 | | | | | |

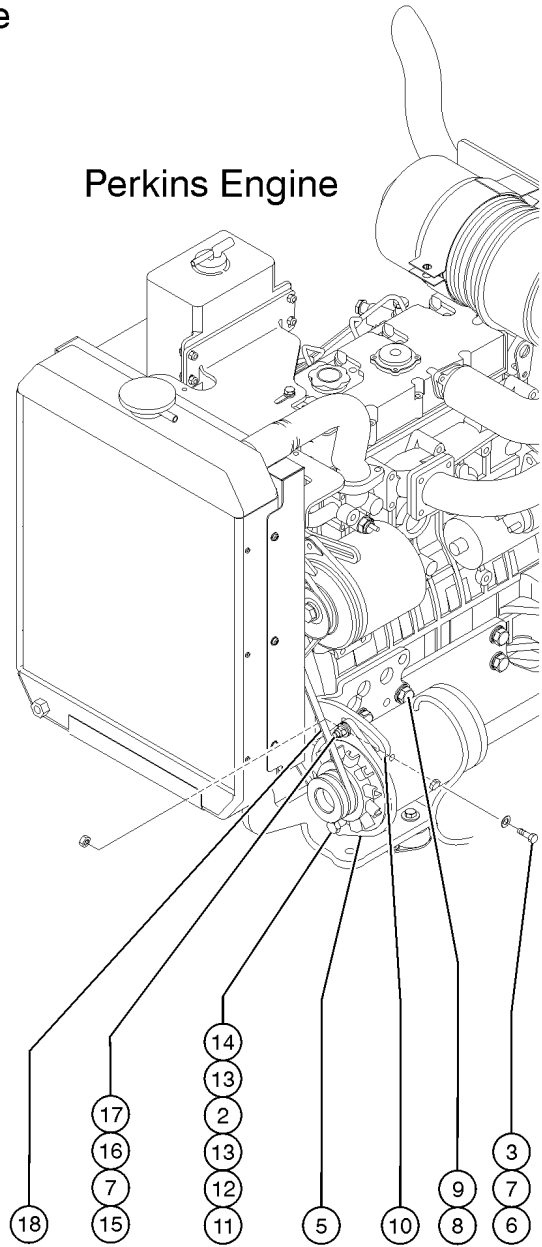
810.1 Belt Driven Generator Option - View 1 (to SN 3139)



Deutz Engine



Perkins Engine

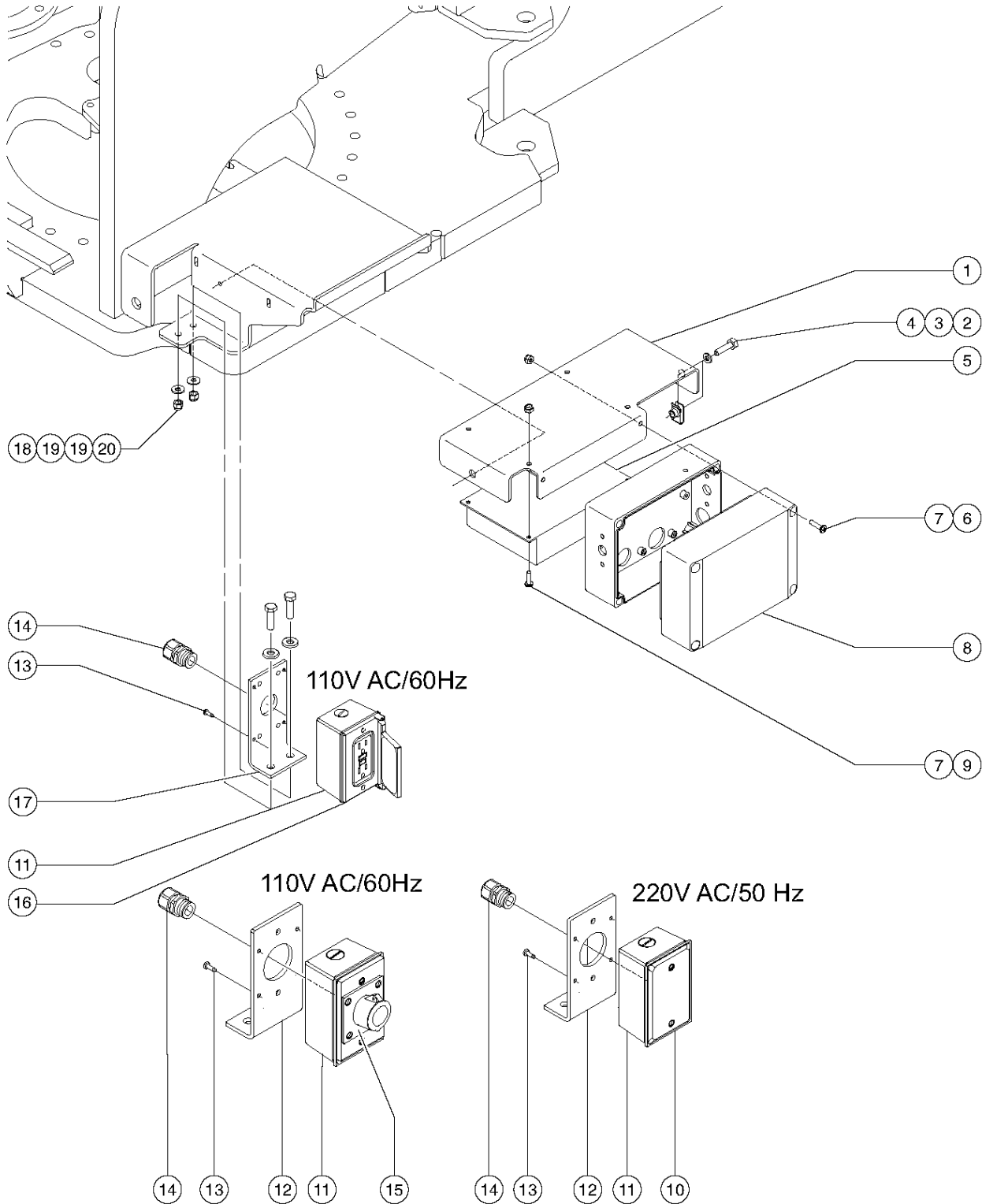


810.1 Belt Driven Generator Option - View 1 (to SN 3139)

| Item | Part No. | Description | Qty. | Item | Part No. | Description | Qty. |
|------|-----------|--|------|------|-----------|---|------|
| -- | 88374GT | PULLEY,PERKINS <i>Generator Option, 3000W, 220V/50Hz; Perkins models; to SN 413</i> | | -- | 89894PGT | BRACKET,GENERATOR-DEUTZ <i>Deutz models; to SN 387 to 3139</i> | |
| -- | 102346GT | PULLEY KIT,PERKINS 804 <i>Generator Option, 3000W, 220V/50Hz; Perkins models; from SN 414 to 3139</i> | | 11 | 81852GT | SCREW,HHC,7/16-14 X 1.75 | |
| -- | 70484GT | PULLEY,GENERATOR,FORD <i>Generator Option, 3000W, 220V/50Hz; Ford models</i> | | 12 | 45400GT | SPACER TUBE, .50 LG | |
| -- | 88352GT | PULLEY,GM <i>Generator Option, 3000W, 220V/50Hz; GM models</i> | | 13 | 20912GT | WASHER,LOCK, .437,PLTD. | |
| -- | 58312GT | BOLT,PULLEY,GM <i>Generator Option, 3000W, 220V/50Hz; GM models</i> | | 14 | 6083GT | NUT,HEX,7/16-14 | |
| -- | 88201PGT | FORMING,GENERATOR MOUNT <i>Generator Option, 3000W, 220V/50Hz; GM models</i> | | 15 | 60790GT | BOLT, CARRIAGE, 3/8-16 X 1.50, G5 | |
| -- | 88202PGT | TENSION ARM,GENERATOR <i>Generator Option, 3000W, 220V/50Hz; GM models</i> | | 16 | 6021GT | WASHER,LOCK, .375 | |
| -- | 88374GT | PULLEY,PERKINS <i>Generator Option, 3500W, 110V/60Hz; Perkins models; to SN 413</i> | | 17 | 6022GT | NUT,HEX,3/8-16 | |
| -- | 70221GT | GM GENERATOR,3500W 110/60-W/RG <i>Generator Option, 3500W, 110V/60Hz; GM models</i> | | 18 | 61113GT | BELT,AX35.....1 <i>Perkins models; to SN 328</i> | 1 |
| 1 | 13918GT | SCREW,HHC,3/8-16 X 1.75,GRD.8.....2 | 2 | -- | 106535GT | BELT,AX33*** <i>Deutz models; from SN 388 to 3139</i> | |
| 2 | 6097GT | WASHER,FLAT,USS,3/8",Y | | -- | 1251542GT | V BELT, COGGED, AX32 <i>GM models</i> | |
| 3 | 4828GT | NUT,NYLOCK,3/8-16 | | -- | 61114GT | BELT,AX36 <i>Perkins models; from SN 413 to 3139</i> | |
| 4 | 70398PGT | FORMING,GENERATOR MOUNT PAINTD.....1 <i>Ford models</i> | 1 | -- | 75053GT | BELT,AX38*** <i>Deutz models; to SN 387</i> | |
| 5 | 89908GT | GENERATOR,3000W,220V,50HZ***.....1 | 1 | -- | 94600GT | BELT, (NAPA 9360) <i>Ford models</i> | |
| -- | 102681GT | PULLY, GNRTR,220V,50HZ(89908) <i>for 89908 generator</i> | | 19 | 22558GT | SCREW,HHC,M14 X 40MM,GR 8.8 | |
| -- | 60707GT | GENERATOR,3500W,120V,60HZ** | | 20 | 49411GT | WASHER,FLAT,M14 | |
| -- | 146062GT | PULLY,GNRTR,120V,60HZ(60707) <i>for 60707 generator</i> | | 21 | 70389GT | PULLEY,DEUTZ.....1 <i>Deutz models</i> | 1 |
| 6 | 8516GT | SCREW, HCC, 3/8-16 X 1.50 | | -- | 81069GT | SPACER,PULLEY,DEUTZ GEN | |
| 7 | 5397GT | WASHER,FLAT,USS,5/16",Y | | 22 | 22697GT | SCREW,HHC,M10 X 65MM,GR8.8.....4 | 4 |
| 8 | 49381GT | SCREW,HHC,M12 X 30 | | 23 | 22700GT | WASHER,LOCK,M10 | |
| 9 | 49410GT | WASHER,FLAT,M12 | | 24 | 106740GT | COVER,REWORK,DEUTZ GENERATOR.....1 <i>Deutz models</i> | 1 |
| 10 | 88174PGT | FORMING,PERKIS GEN.BRKT.PAINT....1 <i>Perkins models; to SN 387</i> | 1 | 25 | 70399PGT | FORMING,GENERATOR MOUNT PAINTD.....1 <i>Ford models</i> | 1 |
| -- | 119533PGT | FORMING,GENERATOR MOUNT,PTD <i>Perkins models; from SN 388 to 3139</i> | | 26 | 11209GT | WASHER,FLAT,USS,7/16",Y | |
| -- | 119578GT | BELT GEN BRKT UPGRADE KIT <i>Deutz models; from SN 388 to SN 1127 to 3139</i> | | 27 | 14723GT | SCREW,HHC,5/16-18 X 1.75 | |
| -- | 81466GT | BRACKET,GENERATOR MOUNT <i>Deutz models; to SN 387</i> | | 28 | 6782GT | NUT,NYLOCK,5/16-18 | |



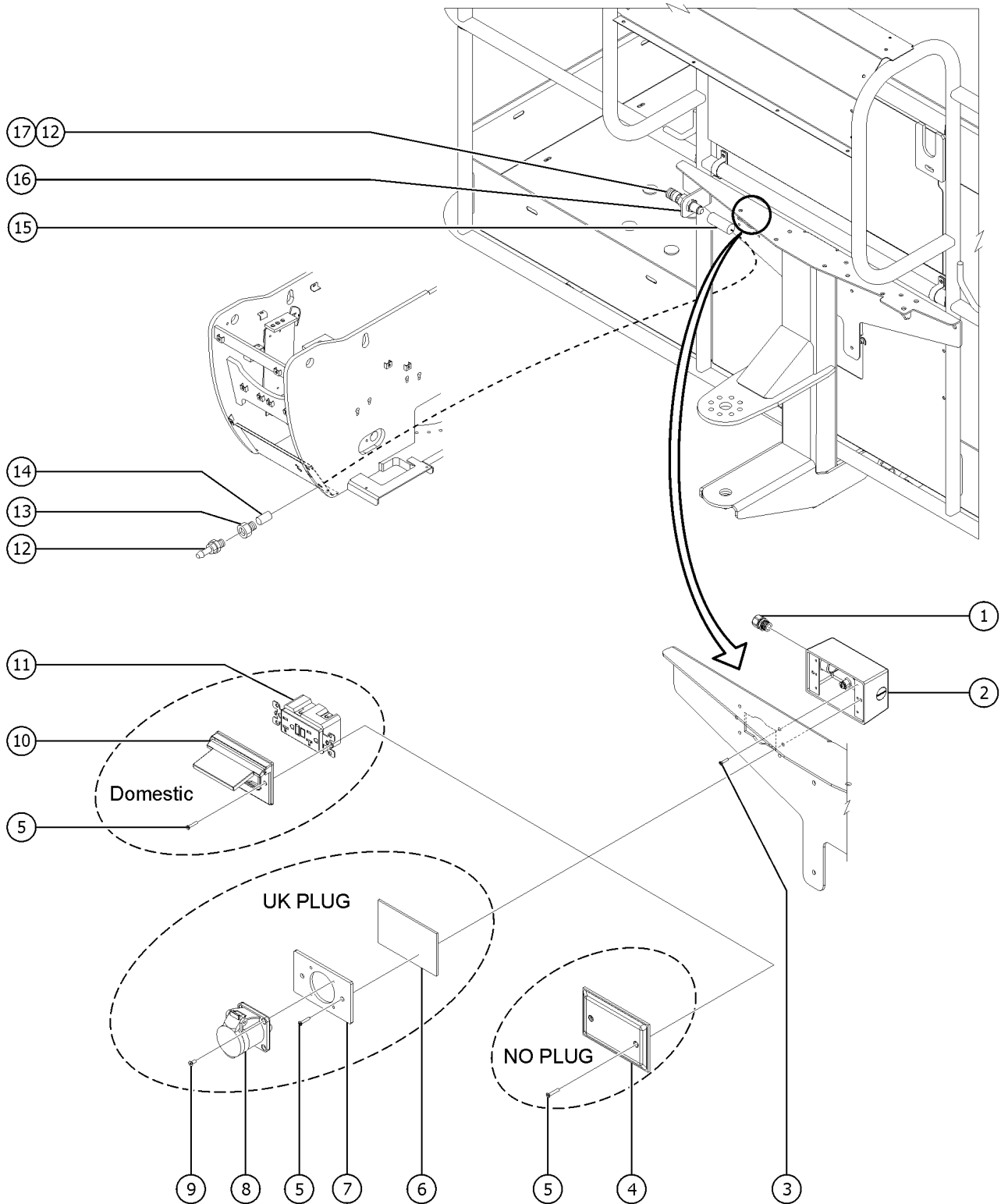
811.1 Belt Driven Generator Option - View 2 (to SN 3139)



811.1 Belt Driven Generator Option - View 2 (to SN 3139)

| Item | Part No. | Description | Qty. |
|------|-----------|--|------|
| 1 | 81850PGT | FORMING,REGULATOR MOUNT PAINTD..... | 1 |
| 2 | 6888GT | SCREW,HHC,1/4-20 X 1 | |
| 3 | 6356GT | WASHER,LOCK, .25 | |
| 4 | 56912GT | SPRING CLIP,1/4-20,.025-.15X.54,ZAG | |
| 5 | 60739GT | VOLTAGE REGULATOR,220V..... | 1 |
| -- | 60738GT | VOLTAGE REGULATOR,110V | |
| 6 | 49816GT | SCREW,PHILLIPS,PHM,10-32 X .75 | |
| 7 | 6178GT | NUT,NYLOCK,10-32 | |
| 8 | 81559GT | HARNES for GENERATOR W/REG.220V..... <i>(Harness only, for BD generator)</i> | 1 |
| -- | 60891GT | ENCLOSURE,GENERATOR BOX | |
| -- | 81558GT | HARNES for GENERATOR W/REGULATOR <i>(Harness only, for BD generator)</i> | |
| 9 | 49826GT | SCREW,PHILLIPS,PHM,10-32 X.625 | |
| 10 | 10777GT | COVER,BLANK..... | 1 |
| -- | 33724GT | KIT,GASKET,UK POWER TO PLAT. | |
| -- | 81458GT | GASKET, UK POWER TO PLAT | |
| 11 | 10775GT | T-BOX,2.75 X 4.5 X 2.0..... | 1 |
| 12 | 81570GT | BRACKET,POWER TO PLAT, UK..... | 1 |
| 13 | 57075GT | SCREW,PHIL,8-32X.50,SELF TAP | |
| 14 | 7056GT | CONN,SQUEEZE,1/2NPT .38-.50,SM.... | 2 |
| -- | 7935GT | Locknut, Electric, 1/2 inch | |
| 15 | T112563GT | SVC KIT,UK RECEPT.REPLACEMENT..... <i>European Models</i> | 1 |
| -- | 33724GT | KIT,GASKET,UK POWER TO PLAT. | |
| -- | 81458GT | GASKET, UK POWER TO PLAT | |
| -- | 96236GT | PLATE,AC ADAPTER,DIN/UK**** | |
| 16 | 74006GT | COVER,GFCI,HORIZONTAL,WEATHER.1 | |
| -- | | HOUSING,LIGHT FIXTURE(57449) <i>component no longer available</i> | |
| -- | 13585GT | OUTLET, 110V <i>USA/Canadian Models</i> | |
| 17 | 81096GT | BRACKET,POWER TO PLAT, DOM..... | 1 |
| 18 | 4828GT | NUT,NYLOCK,3/8-16 | |
| 19 | 6097GT | WASHER,FLAT,USS,3/8",Y | |
| 20 | 8516GT | SCREW, HCC, 3/8-16 X 1.50 | |

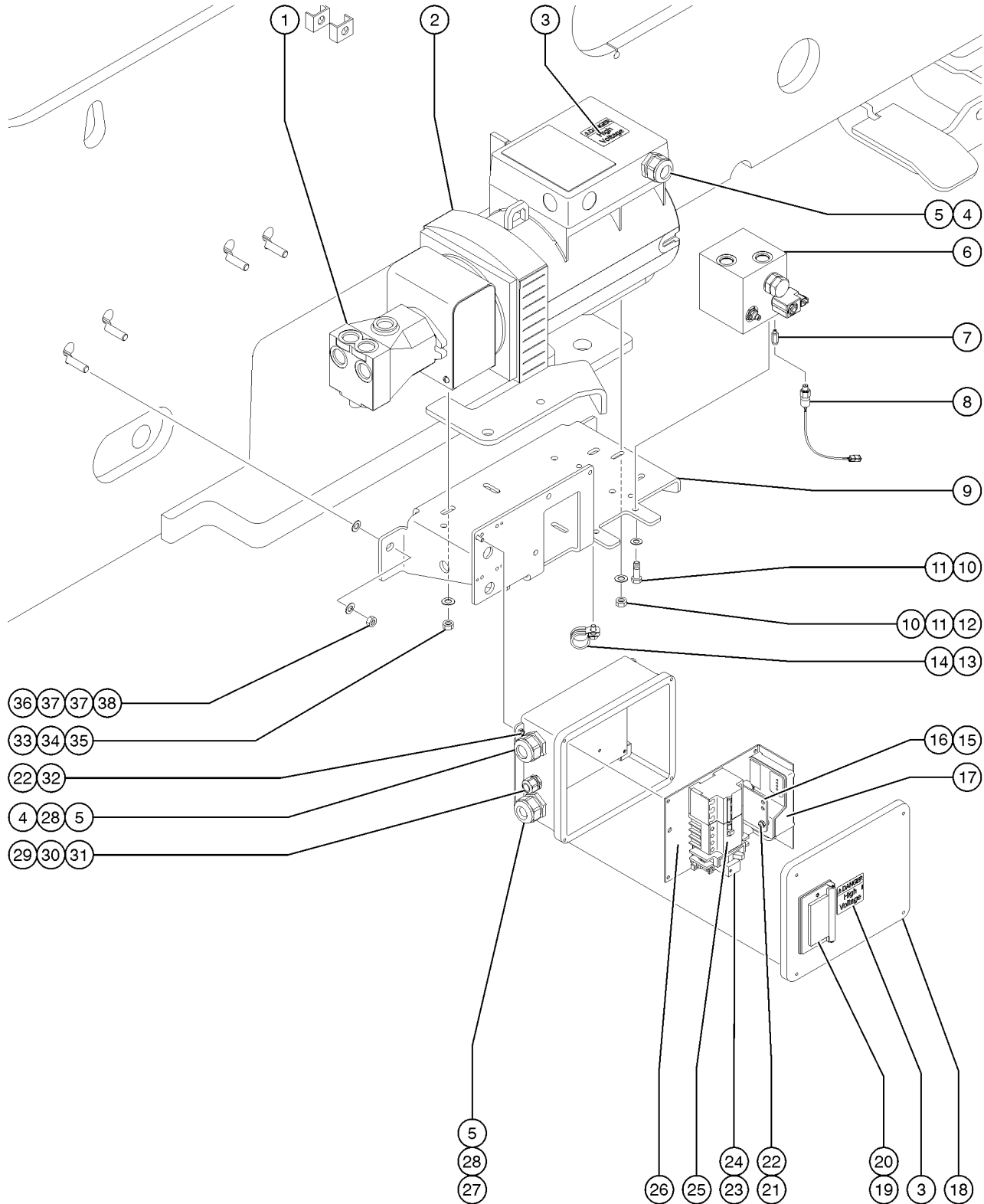
812.1 Air Line to Platform



812.1 Air Line to Platform

| Item | Part No. | Description | Qty. |
|------|---------------------------|---|------|
| A | 88295GT | Z80 AIRLINE TO PLATFORM,1/2"ID | |
| B | 44981GT | DECAL,LABEL, AIR LINE 110 PSI | |
| C | 45454GT | CLAMP,RUB CUSH,0.75,#12 X 3/8* | |
| D | 1269052GT | SHRINK TUBE, CAP, BLACK, 0.86".....1 (no plug) | |
| E | 144161GT | PLUG,PWR,UK,16AMP,3PIN,BLK.....1 (UK Plug) | |
| F | 6595GT | PLUG,ELECTRICAL,DOMESTIC.....1 (domestic) | |
| 1 | 7056GT | CONN,SQUEEZE,1/2NPT .38-.50,SM....1 | |
| 2 | 10775GT | T-BOX,2.75 X 4.5 X 2.0.....1 | |
| -- | 1284310GT | HARNES, JUMPER, GND, TBOX | |
| 3 | 63375GT | SCREW,FHM,6-32 X .75.....4 | |
| 4 | 10777GT | COVER,BLANK.....1 | |
| 5 | 1253489GT | SCREW,FHPM,6-32X.75,ZAG.....2 | |
| 6 | 74052GT | GASKET,COVER,GFCI,WEATHERPROOF.1 | |
| 7 | T112561GT | PLATE,UK,POWER TO PLAT.....1 | |
| 8 | T112560GT | RECEPTACLE,UK,110V.....1 | |
| 9 | 1255788GT | SCREW,FHPM,8-32X.375,ZAG.....4 | |
| 10 | 74006GT | COVER,GFCI,HORIZONTAL,WEATHER.1 | |
| 11 | 80543GT | RECEPTACLE, 120VAC, 20A, GFCI.....1 | |
| 12 | 49214GT | MALE PIPE THD,1/4" SER,3/8"X18 | |
| 13 | 49212GT | FEMALE BULKHEAD CONNECTOR-8 | |
| 14 | 88300-36900 GT | HOSE ASSY. 1/2" AIR LINE.....1 | |
| 15 | 88299-82400 GT | HOSE ASSY. 1/2" AIR LINE.....1 | |
| 16 | 60886PGT | BRACKET,AIRLINE TO PLATFORM.....1 | |
| 17 | 49215GT | MPT,CPLR,1/4"SER,3/8"X18.....1 | |

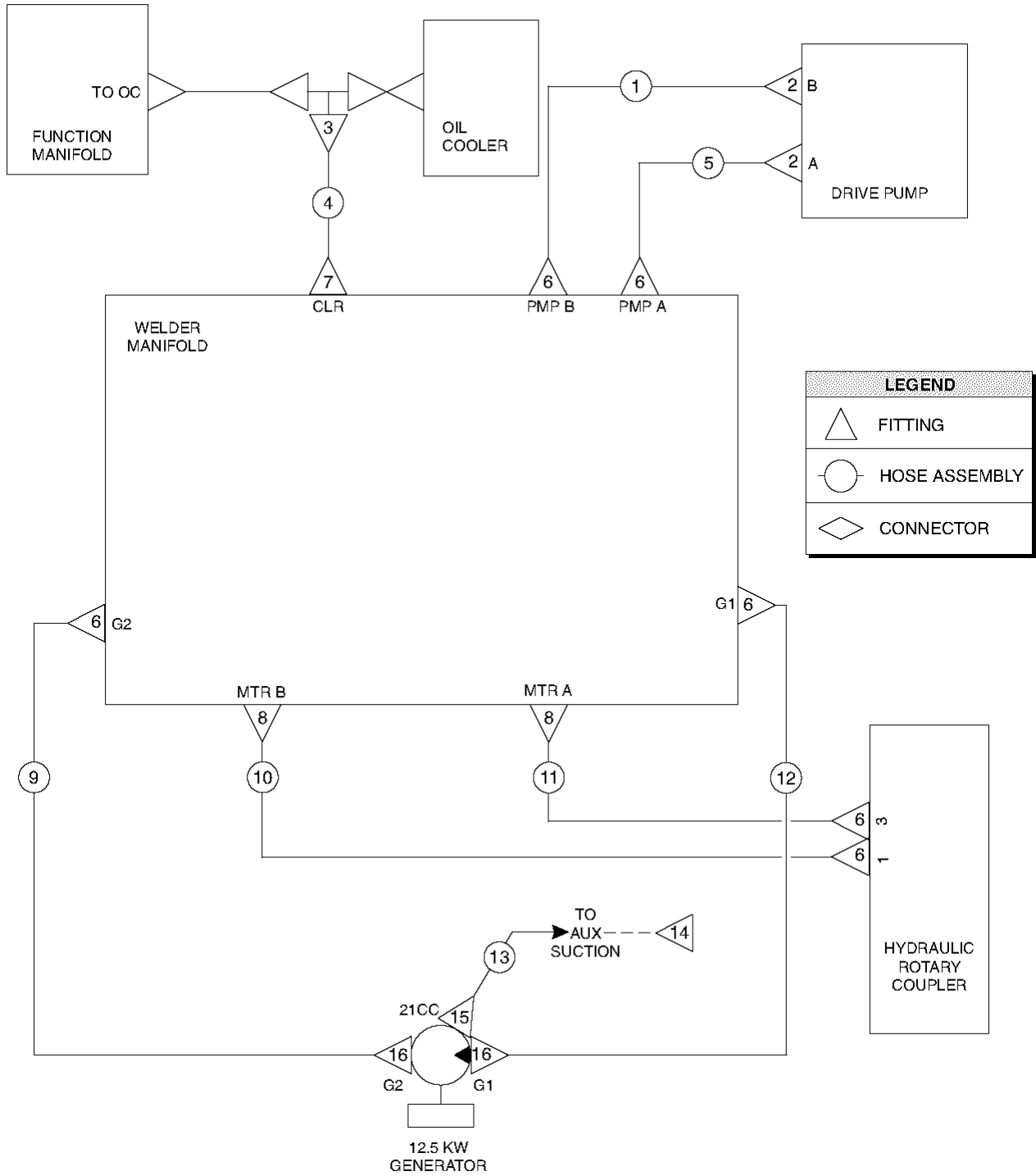
813.1 Welder Option - Hydraulic Generator, Chassis Components



813.1 Welder Option - Hydraulic Generator, Chassis Components

| Item | Part No. | Description | Qty. | Item | Part No. | Description | Qty. |
|------|-----------|--|------|------|-----------|--|------|
| -- | 228878GT | KIT BONDED WELD LEADS Z80 <i>(welder cable kit option only); from SN 3430</i> | | 12 | 6782GT | NUT,NYLOCK,5/16-18 | |
| -- | 228872GT | CABLE,2/0 WELD LEAD,TWIN Z80L <i>(part of kit option 228878); from SN 3430</i> | | 13 | 49863GT | CLAMP,1.13,#18 X 3/8,RUB CUSH*.....1 | |
| -- | 228873GT | CABLE,2/0 WELD LEAD,TWIN Z80U <i>(part of kit option 228878); from SN 3430</i> | | 14 | 10107GT | SCREW,HHC,5/16-18 X .75 | |
| -- | 226505GT | HARNESS,WELD GENERATOR,Z80 | | 15 | 106140PGT | BRACKET,1K OHM 10-TURN POT,PNT.....1 | |
| -- | 226503GT | HARNESS,WELD GEN ENCLOSURE | | 16 | 102357GT | POTENTIOMETER ASSY, WELDER.....1 | |
| -- | 13097GT | FUSE,10 AMP | | 17 | 106658GT | MODULE,SX CONTROLLER,LOW AMP.....1 | |
| -- | 106115GT | WIRE CABLE 8/4 CON.SO...840.0-inches <i>(welder ready option)</i> | | 18 | 229346GT | ASSY,ENCLOSURE,WELDER,GEN.....1 <i>includes items 15-31</i> | |
| 1 | 106184GT | MOTOR,HYD 12.5KW GEN,21CC***.....1 | | 19 | 74006GT | COVER,GFCI,HORIZONTAL,WEATHER.1 <i>includes mounting hardware</i> | |
| -- | 162006GT | SEAL KIT,HYD MOTOR(106184) <i>for motor 106184</i> | | 20 | 13585GT | OUTLET, 110V.....1 | |
| 2 | 106113GT | GENERATOR,HYDRO-12KEP-21-3.....1 <i>includes item 1</i> | | 21 | 36294GT | SCREW,HHC,1/4-20 X 2.75 | |
| -- | 106274GT | GENERATOR,12.5 KW,W/O MOTOR*** | | 22 | 6889GT | NUT,LP NYLOCK,1/4-20 | |
| -- | 122300GT | COVER,WELDER GENERATOR | | 23 | 33607GT | RELAY,OMRON,DPDT,12V.....1 | |
| -- | T111766GT | MOTOR MOUNT COUPLER (106274)....1 | | 24 | 33608GT | RELAY,SOCKET,OMRON.....1 | |
| -- | T113655GT | COUPLING, 28MM (106113) | | 25 | 106477GT | GFI/CIRCUIT BREAKER ASSEMBLY.....1 | |
| -- | T114022GT | SPIDER (106113) | | -- | 106375GT | GFCI,50A, 3PH | |
| -- | T114023GT | COUPLING (106113) | | -- | 227425GT | CIRCUIT BREAKER, 35A 3PH | |
| 3 | 82237GT | DECAL,DANGER,HIGH VOLTAGE.....2 | | 26 | 102314GT | PANEL, ENCLOSURE, LINCO WELDER.....1 | |
| 4 | 20776GT | CABLE SQUEEZE CONN.....1 | | 27 | 106077GT | CABLE SQUEEZE CONN .63-.75.....1 | |
| 5 | 18665GT | LOCKNUT,ELECTRIC,1" NPT.....3 | | 28 | 106104GT | O-RING,SEAL RING,1" NPT (PKG OF 10).....2 | |
| 6 | 101516GT | MANIFOLD,DRIVE OIL DIVERter.....1 | | 29 | 7057GT | CONN. SQZ,1/2NPT .39-.56 MED.....1 | |
| -- | 102746GT | VALVE,PILOT OPER DIRECTIONAL | | 30 | 56237GT | O-RING,ORFS,-12.....1 | |
| -- | 106394GT | ORIFICE DISC,.030,CONE | | 31 | 6935GT | LOCKNUT,ELEC,1/2".....1 | |
| -- | 122302GT | RELIEF,VALVE 270 PSI | | 32 | 6090GT | SCREW,HHC,1/4-20 X .75 | |
| -- | 128416GT | SEAL KIT <i>use with part 94757</i> | | 33 | 4828GT | NUT,NYLOCK,3/8-16 | |
| -- | 128419GT | SEAL KIT <i>use with part 94760</i> | | 34 | 6097GT | WASHER,FLAT,USS,3/8",Y | |
| -- | 94757GT | VALVE,CHECK,3 PSI*** | | 35 | 8516GT | SCREW, HCC, 3/8-16 X 1.50 | |
| -- | 94759GT | NUT,SOLENOID | | 36 | 6198GT | NUT,NYLOCK,1/2-13 | |
| -- | 94760GT | VALVE,SOLENOID,10V,W/OUT COIL* | | 37 | 13066GT | WASHER,FLAT,.5 HARDENED.....4 | |
| -- | 94765GT | COIL-10V DC*** | | 38 | 39479GT | SCREW,HHC,1/2-13 X 2.75 | |
| 7 | 146285GT | CONN, SAE#4-1/4" NPT.....1 | | | | | |
| 8A | 146284GT | SWITCH,PRESS,#4NPT,200PSIF.....1 <i>for first time replacement, order service kit 1273916GT.</i> | | | | | |
| 8B | 1273916GT | KIT, PRESSURE SWITCH, GENERATOR <i>includes pressure switch, hose, fittings and installation instructions</i> | | | | | |
| 9 | 102276PGT | BRACKET,GENERATOR 12KW,PTD.....1 | | | | | |
| 10 | 13002GT | SCREW,HHC,5/16-18 X 1 GR5 | | | | | |
| 11 | 5397GT | WASHER,FLAT,USS,5/16",Y | | | | | |

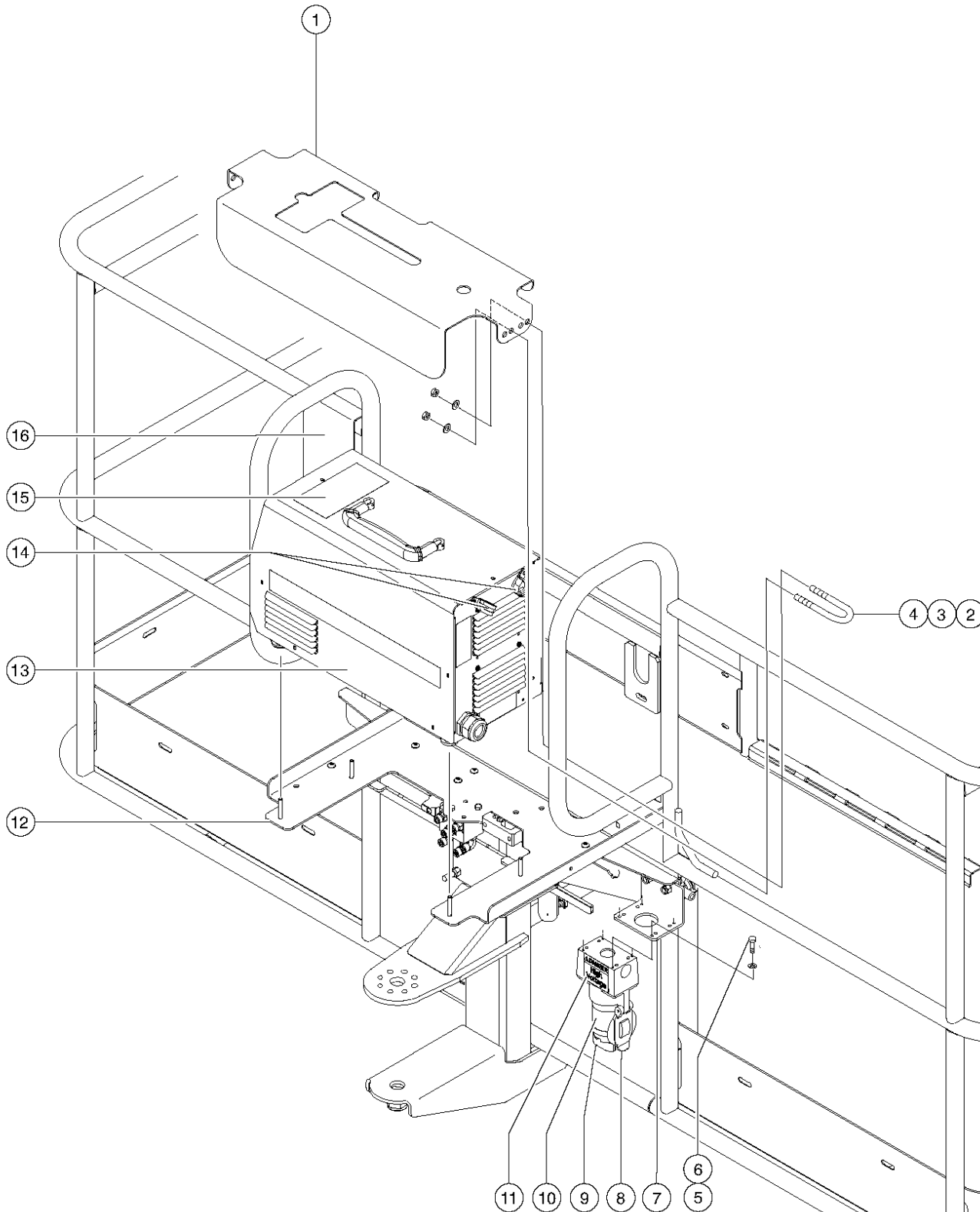
814.1 Welder Option, Hoses and Fittings



814.1 Welder Option, Hoses and Fittings

| Item | Part No. | Description | Qty. |
|------|---------------|--------------------------------------|------|
| 1 | 94374-3530GT | HOSE ASSY,3/4,90 FEM,STR FEM.....1 | |
| 2 | 48978GT | ELBOW,45D,520320-12-16.....2 | |
| 3 | 48964GT | FITTING,TEE,RUN,SWIVEL52043212....1 | |
| 4 | 49143-11229GT | HOSE ASSY 1/2, 90 FEM, STR FEM.....1 | |
| 5 | 94374-3730GT | HOSE ASSY 3/4, 90 FEM,STR FEM.....1 | |
| 6 | 48963GT | FITTING,ELBOW,45D,520320-12***.....6 | |
| 7 | 48933GT | CONN,520120-8***.....1 | |
| 8 | 48960GT | FITTING,CONN,520120-12***.....2 | |
| 9 | 102312-2088GT | HOSE ASSEMBLY,3/4",-10-12 90F,.....1 | |
| 10 | 94374-4030GT | HOSE ASSY 3/4, 90 FEM,STR FEM.....1 | |
| 11 | 94374-3730GT | HOSE ASSY 3/4, 90 FEM,STR FEM.....1 | |
| 12 | 102312-2388GT | HOSE ASSY,3/4",10-12 90 F,ST F.....1 | |
| 13 | 102355-6650GT | HOSE,ASSY,HYD,1/2".....1 | |
| 14 | 48935GT | TEE,RUN,520428-8.....1 | |
| 15 | 48958GT | CONN,520120-10-12.....2 | |

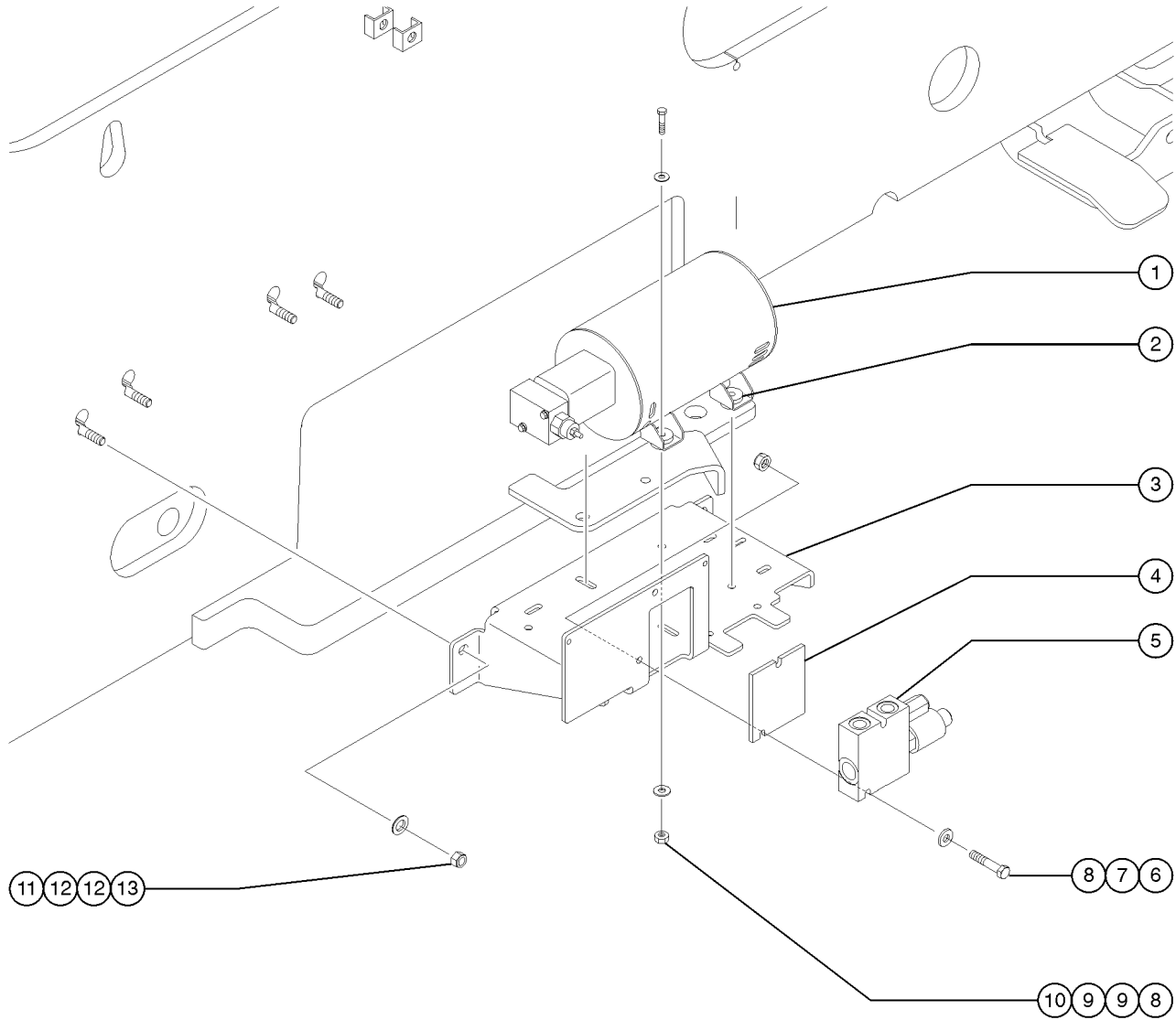
815.1 Welder Option, Platform Components



815.1 Welder Option, Platform Components

| Item | Part No. | Description | Qty. | Item | Part No. | Description | Qty. |
|------|---------------|--|------|------|-----------|-------------------------------------|------|
| -- | 88406GT | FIRE EXTINGUISHER | | -- | 106183GT | FUSE,.6AMP,250V,WELDER,V275S | |
| -- | 82862GT | DECAL,FIRE EXTINGUISHER | | 14 | 18666GT | CLAMP,1.00,#16 X 1/4,RUB CUSH.....2 | |
| -- | 97579GT | DECAL,DANGER,TIP-OVER,WELDER** | | 15 | 110220GT | DECAL,WARNING,WELDER SAFETY...1 | |
| -- | 110220GT | DECAL,WARNING,WELDER SAFETY | | 16 | 106204PGT | BRACKET,V275S WELD LEADS.....1 | |
| -- | 110277-3500GT | FIRE SLEEVE, 2.0" | | | | | |
| -- | 110276-2000GT | FIRE SLEEVE, 1.25" | | | | | |
| -- | 110276-4000GT | FIRE SLEEVE, 1.25" | | | | | |
| -- | 110276-3800GT | FIRE SLEEVE, 1.25" | | | | | |
| -- | 110276-1300GT | FIRE SLEEVE, 1.25" | | | | | |
| -- | 110276-2700GT | FIRE SLEEVE, 1.25" | | | | | |
| -- | 28443GT | CABLE TIE,11.5" BLACK | | | | | |
| -- | 229925GT | ADAPTER,WELDER,208-220 | | | | | |
| 1 | 101547PGT | BRACKET,WELDER SUPPORT,PNT | | | | | |
| 2 | 5397GT | WASHER,FLAT,USS,5/16",Y | | | | | |
| 3 | 4828GT | NUT,NYLOCK,3/8-16 | | | | | |
| 4 | 6550GT | U-BOLT,3/8 X 1 YZ.....2 | | | | | |
| 5 | 47363GT | SCREW,RHM,8-32 X .50 | | | | | |
| 6 | 35461GT | WASHER,FLAT,MS,#8,Y | | | | | |
| 7 | 101731PGT | BRACKET,POWER TO PLAT TBOX,PNT.....1 | | | | | |
| -- | 4828GT | NUT,NYLOCK,3/8-16 | | | | | |
| -- | 5397GT | WASHER,FLAT,USS,5/16",Y | | | | | |
| -- | 6550GT | U-BOLT,3/8 X 1 YZ | | | | | |
| 8 | 101732GT | COVER,WEATHERPROOF 3-PHASE | | | | | |
| 9 | 106112GT | PLUG,4-WIRE,3-PHASE,50A,MALE.....1 | | | | | |
| 10 | 106110GT | T-BOX,2.75X4.5X2.63,3PH.....1 | | | | | |
| -- | 106111GT | RECEPTCL,LOCK 3-PH,50A,4 WIRE | | | | | |
| 11 | 82237GT | DECAL,DANGER,HIGH VOLTAGE.....2 | | | | | |
| 12 | 102408PGT | BRACKET,LINCOLN WELDER,PNTD.....1 <i>to SN 2510</i> | | | | | |
| -- | 102409PGT | BRACKET,WELDER MNT SUPPORT,PNT <i>to SN 2510</i> | | | | | |
| -- | 106043GT | SCREW,SECURITY,5/16-18X1.00 | | | | | |
| -- | 106044GT | U-BOLT,3/8-16X4X4.63X3.00 | | | | | |
| -- | 238119GT | BRACKET,HYDRAULIC WELDER Z80 <i>from SN 2511</i> | | | | | |
| -- | 238120GT | BRACKET,HYDRAULIC WELDER Z80 <i>from SN 2511</i> | | | | | |
| -- | 4828GT | NUT,NYLOCK,3/8-16 | | | | | |
| -- | 5397GT | WASHER,FLAT,USS,5/16",Y | | | | | |
| -- | 6782GT | NUT,NYLOCK,5/16-18 | | | | | |
| 13 | 101525GT | WELDER,INVERTEC V275-S.....1 | | | | | |
| 13 | 106275GT | KIT,WELD LEADS ASSY,V275S <i>includes both cables</i> | | | | | |
| -- | 106141GT | SCREW,SECURITY,1/4-20 X 1.75LG | | | | | |

816.1 Hydraulic Generator Option, Continental TME-27 Engine (to SN 3139)

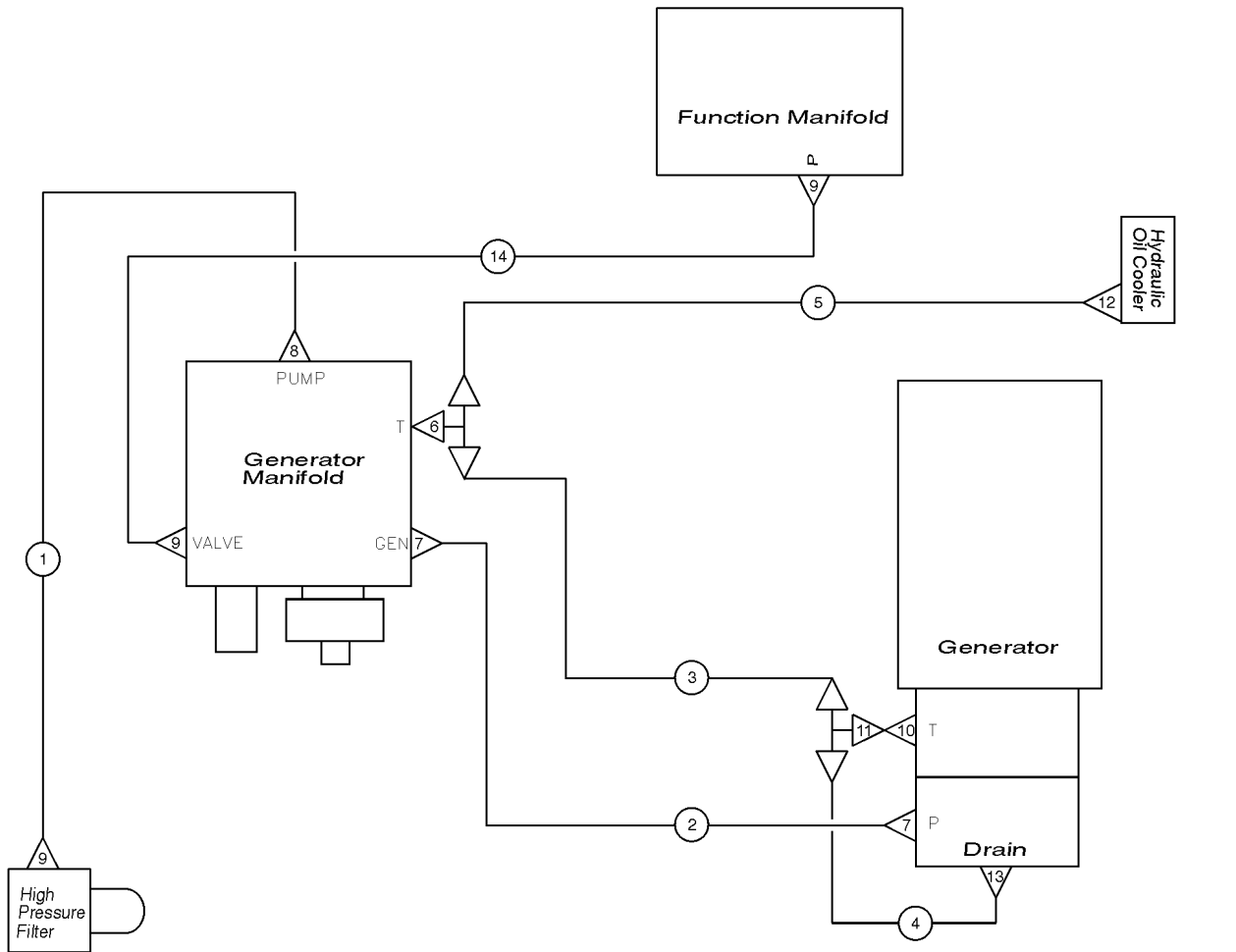


816.1 Hydraulic Generator Option, Continental TME-27 Engine (to SN 3139)

| Item | Part No. | Description | Qty. | Item | Part No. | Description | Qty. |
|------|-----------|---|------|------|-----------|--|------|
| -- | 226503GT | HARNES, WELD GEN ENCLOSURE | | -- | T111609GT | SEAL, SHAFT <i>for pump</i> | |
| -- | 112119GT | DECAL OPTION, NIKKEN, GS68 | | -- | T111610GT | SPACER <i>for pump</i> | |
| -- | 106637GT | MODULE, TIME DELAY ON BREAK 4S | | -- | T111611GT | BEARING, MOTOR <i>for pump</i> | |
| -- | 102746GT | VALVE, PILOT OPER DIRECTIONAL | | -- | T111612GT | RETAINING RING <i>for pump</i> | |
| 1A | 36928GT | GENERATOR, 2500W HYD. 220/50HZ | | -- | T111613GT | SHAFT, MOTOR <i>for pump</i> | |
| -- | 147836GT | SEAL, GASKET, .00075" *GOLD* <i>for pump</i> | | 2 | 84080GT | ISOLATR KIT, RUBBR, 2KW GENERATR..... | 4 |
| -- | 147837GT | SEAL, GASKET, .0005" *SILVER* <i>for pump</i> | | 3 | 102276PGT | BRACKET, GENERATOR 12KW, PTD..... | 1 |
| -- | 147838GT | SEAL, GASKET, .0010" <i>for pump</i> | | 4 | 122100GT | SPACER, HYD GEN MANIFOLD..... | 1 |
| -- | 32732GT | RECTIFIER ASSEMBLY | | 5 | 53976GT | MANIFOLD, GENERATOR..... | 1 |
| -- | 32735GT | VALVE, PRI. FLOW REG 4.3 <i>for 2000W & 2500W generators</i> | | -- | 110198GT | SEAL KIT, VALVE, #12 | |
| -- | 32736GT | MOTOR, HYDRAULIC GENERATOR | | -- | 19969GT | VALVE, SOLENOID (18660)*** | |
| -- | 52085GT | BRUSH HOLDER ASSY, 2500W GENER | | -- | 27535GT | COIL, 12V, DO1 VALVE | |
| -- | 58402GT | BRIDGE, 50A FULL WAVE** | | -- | 31529GT | VALVE, RELIEF 2400 PSI*** | |
| -- | 58944GT | BRUSH 3/8 X 1/4 X 15/16(36928) | | -- | 33568GT | NUT, CP521-1 VALVE | |
| -- | 58954GT | O-RING, SPACER #115*** <i>for pump</i> | | -- | 45782GT | DIODE, 6 AMP, 200 PIV, BULK | |
| -- | 89719GT | BRUSH ENDBELL ASSEMBLY (89719) | | -- | 45914GT | O-RING, DO1 VALVE | |
| -- | T111608GT | SEAL, RETAINING RING <i>for pump</i> | | 6 | 14033GT | SCREW, HHC, 3/8-16 X 2.75 | |
| -- | T111609GT | SEAL, SHAFT <i>for pump</i> | | 7 | 6097GT | WASHER, FLAT, USS, 3/8", Y | |
| -- | T111610GT | SPACER <i>for pump</i> | | 8 | 4828GT | NUT, NYLOCK, 3/8-16 | |
| -- | T111611GT | BEARING, MOTOR <i>for pump</i> | | 9 | 5397GT | WASHER, FLAT, USS, 5/16", Y | |
| -- | T111612GT | RETAINING RING <i>for pump</i> | | 10 | 13918GT | SCREW, HHC, 3/8-16 X 1.75, GRD. 8..... | 4 |
| -- | T111613GT | SHAFT, MOTOR <i>for pump</i> | | 11 | 6198GT | NUT, NYLOCK, 1/2-13 | |
| 1B | 111381GT | GEN, HYD, 3000W, 110V, 60HZ..... | 1 | 12 | 6095GT | WASHER, FLAT, USS, 1/2", Y | |
| -- | 111987GT | CONN, 8 POS PLUG 120 AC/15A <i>for pump</i> | | 13 | 39479GT | SCREW, HHC, 1/2-13 X 2.75 | |
| -- | 147836GT | SEAL, GASKET, .00075" *GOLD* <i>for pump</i> | | | | | |
| -- | 147837GT | SEAL, GASKET, .0005" *SILVER* <i>for pump</i> | | | | | |
| -- | 147838GT | SEAL, GASKET, .0010" <i>for pump</i> | | | | | |
| -- | 147839GT | ASSM, GEN. ONLY, 110V, 60HZ | | | | | |
| -- | 58944GT | BRUSH 3/8 X 1/4 X 15/16(36928) | | | | | |
| -- | 58954GT | O-RING, SPACER #115*** <i>for pump</i> | | | | | |
| -- | T111608GT | SEAL, RETAINING RING <i>for pump</i> | | | | | |



817.1 Hydraulic Generator Option, Continental TME-27 Engine, Hoses and Fittings (to SN 3139)

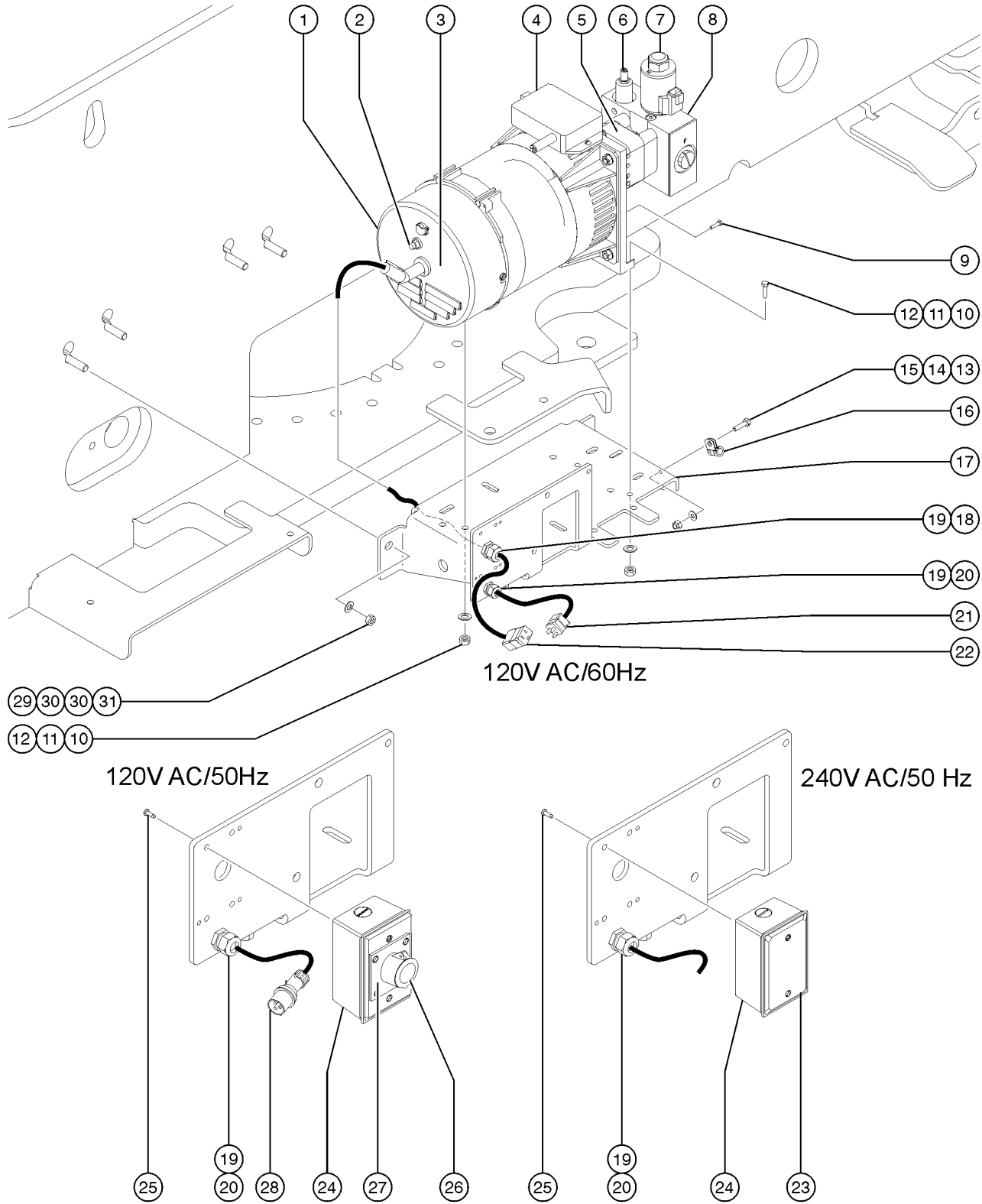


| LEGEND | |
|--------|---------------|
| | ADAPTER |
| | HOSE ASSEMBLY |
| | UNION |

817.1 Hydraulic Generator Option, Continental TME-27 Engine, Hoses and Fittings (to SN 3139)

| Item | Part No. | Description | Qty. |
|------|---------------|---|------|
| 1 | 102313-2826GT | HOSE ASSY,3/4" HYD,45F,STRF.....1 | 1 |
| 2 | 49143-2429GT | HOSE ASSY,1/2,90 FEM,STR FEM.....1 | 1 |
| 3 | 49183-2729GT | Hose Assembly - Components: Genie part numbers 48827, 48822 and 48756 @ 25 inches.....1 | 1 |
| 4 | 49164-1543GT | HOSE ASSY 1/4,90 DEG FEM,STR F....1 | 1 |
| 5 | 54085-9018GT | HOSE ASSY,1/2,90 FEM,STR FEM.....1 | 1 |
| 6 | 48936GT | TEE,BRANCH,520429-8.....1 | 1 |
| 7 | 48932GT | FITTING,ELBOW,90D,520220-8***.....2 | 2 |
| 8 | 48959GT | FITTING,ELBOW,90D,520220-12.....1 | 1 |
| 9 | 48960GT | FITTING,CONN,520120-12***.....3 | 3 |
| 10 | 48946GT | CONN,520120-8-10.....1 | 1 |
| 11 | 48939GT | TEE,BRANCH,520433-8.....1 | 1 |
| 12 | 48964GT | FITTING,TEE,RUN,SWIVEL52043212....1 | 1 |
| 13 | 48904GT | ELBOW,90D,520220-4-4.....1 | 1 |
| 14 | 61073-8930GT | HOSE ASSY 3/4" 90 DEG STR FEM.....1 | 1 |

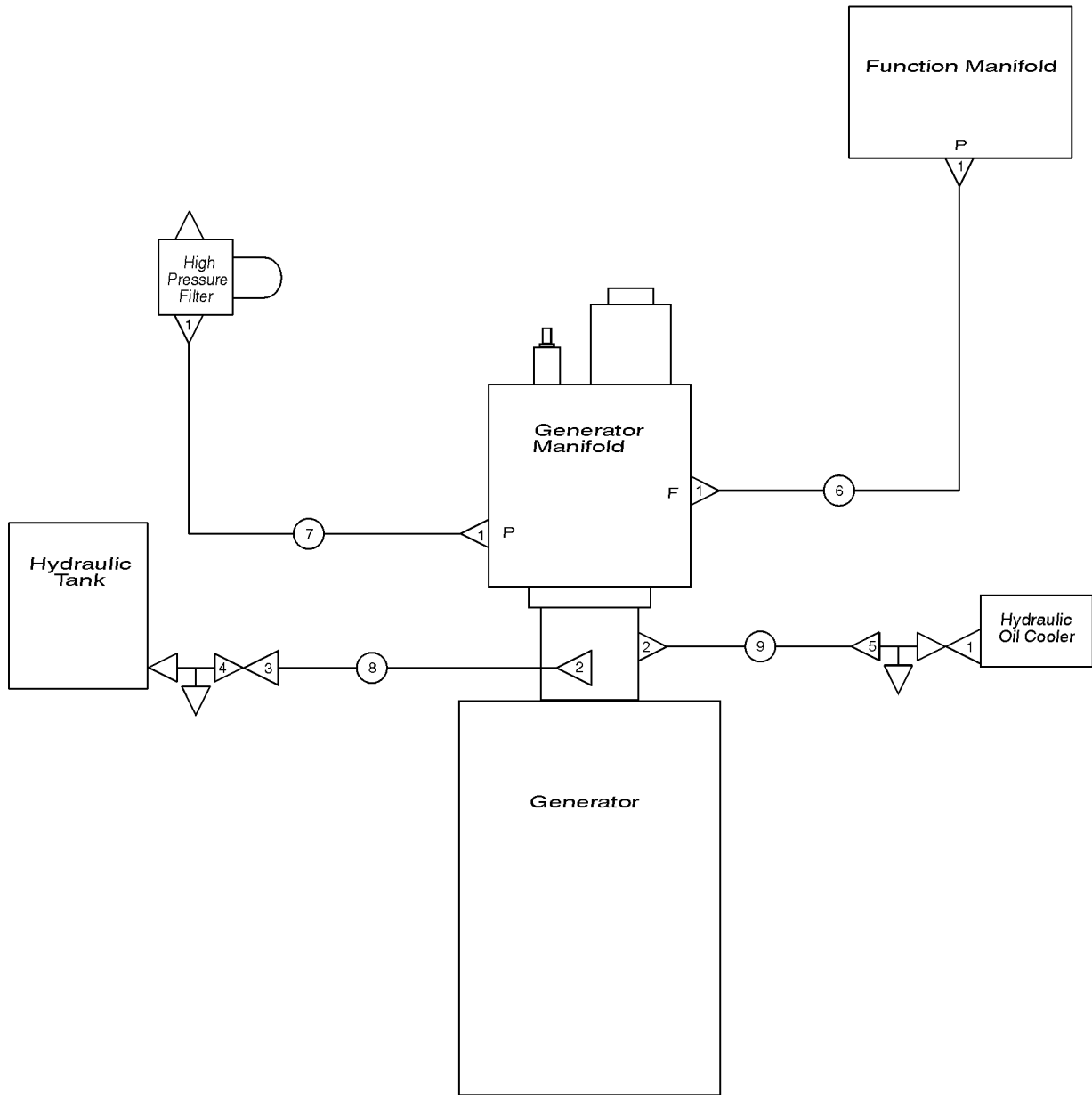
818.1 Hydraulic Generator Option (MTE) (from SN 3140)



818.1 Hydraulic Generator Option (MTE) (from SN 3140)

| Item | Part No. | Description | Qty. | Item | Part No. | Description | Qty. |
|------|-----------|---|------|------|-----------|---------------------------------------|------|
| -- | T112720GT | HARNES, JUMPER, MTE GEN, Z80 | | 25 | 57075GT | SCREW, PHIL, 8-32X.50, SELF TAP | |
| -- | 147240GT | CAPACITOR 16 F, GEN | | 26 | T112560GT | RECEPTACLE, UK, 110V.....1 | |
| 1A | 139952GT | GENERATOR, 3kW, 120V/50Hz.....1 <i>(complete) includes items 2-9</i> | | 27 | T112561GT | PLATE, UK, POWER TO PLAT.....1 | |
| 1B | 139953GT | GENERATOR, 3kW, 120V/60Hz <i>(complete) includes items 2-9</i> | | 28 | 144161GT | PLUG, PWR, UK, 16AMP, 3PIN, BLK.....1 | |
| -- | 147239GT | BREAKER, 25 AMP, GEN 60hz | | 29 | 6198GT | NUT, NYLOCK, 1/2-13 | |
| 1C | 139954GT | GENERATOR, 3kW, 240V/50Hz <i>(complete) includes items 2-9</i> | | 30 | 6095GT | WASHER, FLAT, USS, 1/2", Y | |
| -- | 147258GT | BREAKER, 15 AMP, GEN 50hz | | 31 | 39479GT | SCREW, HHC, 1/2-13 X 2.75 | |
| 2 | 147239GT | BREAKER, 25 AMP, GEN.....1 <i>part of generators 139952 and 139953</i> | | | | | |
| -- | 147258GT | BREAKER, 15 AMP, GEN <i>part of generator 139954</i> | | | | | |
| 3 | 147241GT | COVER, END, GEN, 120V.....1 <i>part of generators 139952 and 139953</i> | | | | | |
| -- | 147262GT | COVER, END, GENERATOR, 240V <i>part of generator 139954</i> | | | | | |
| 4 | 1269693GT | CONTROL BOX, 2KW, 120/240V, 50HZ.....1 <i>part of generators 139952 and 139954</i> | | | | | |
| -- | 147228GT | CONTROLLER BOX, 120/240V, 60H <i>part of generator 139953</i> | | | | | |
| 5 | 147230GT | 207 HYD MOTOR ASSY, GEN.....1 | | | | | |
| -- | 147231GT | SEAL KIT, HYD MOTOR, GEN | | | | | |
| 6 | 147233GT | VALVE, RELIEF, GEN, 3.0kW.....1 | | | | | |
| 7 | 147232GT | 12VDC PROPORTIONAL VALVE.....1 | | | | | |
| 8 | 147229GT | MANIFOLD ASSEMBLY, GEN.....1 <i>(complete) includes items 6 and 7</i> | | | | | |
| 9 | 147242GT | SCREW, GEN ROTOR.....4 | | | | | |
| 10 | 13000GT | SCREW, HHC, 5/16-18 X 1.25 | | | | | |
| 11 | 5397GT | WASHER, FLAT, USS, 5/16", Y | | | | | |
| 12 | 6782GT | NUT, NYLOCK, 5/16-18 | | | | | |
| 13 | 6888GT | SCREW, HHC, 1/4-20 X 1 | | | | | |
| 14 | 6638GT | WASHER, FLAT, USS, 1/4" Y | | | | | |
| 15 | 6091GT | NUT, NYLOCK, 1/4-20 | | | | | |
| 16 | 45470GT | CLAMP, 0.31, #5 X 1/4, RUB CUSH.....2 | | | | | |
| 17 | 102276GT | BRACKET, GENERATOR 12KW.....1 | | | | | |
| 18 | 7057GT | CONN. SQZ, 1/2NPT .39-.56 MED.....1 | | | | | |
| 19 | 6935GT | LOCKNUT, ELEC, 1/2".....2 | | | | | |
| 20 | 7056GT | CONN, SQUEEZE, 1/2NPT .38-.50, SM....1 | | | | | |
| 21 | 6595GT | PLUG, ELECTRICAL, DOMESTIC.....1 | | | | | |
| 22 | 19020GT | CONNECTOR, FEMALE, RECPTCLE, 110V.1 | | | | | |
| 23 | 10777GT | COVER, BLANK.....1 | | | | | |
| 24 | 10775GT | T-BOX, 2.75 X 4.5 X 2.0 | | | | | |
| -- | 74052GT | GASKET, COVER, GFCI, WEATHERPROOF | | | | | |

819.1 Hydraulic Generator Option (MTE), Hoses and Fittings (from SN 3140)

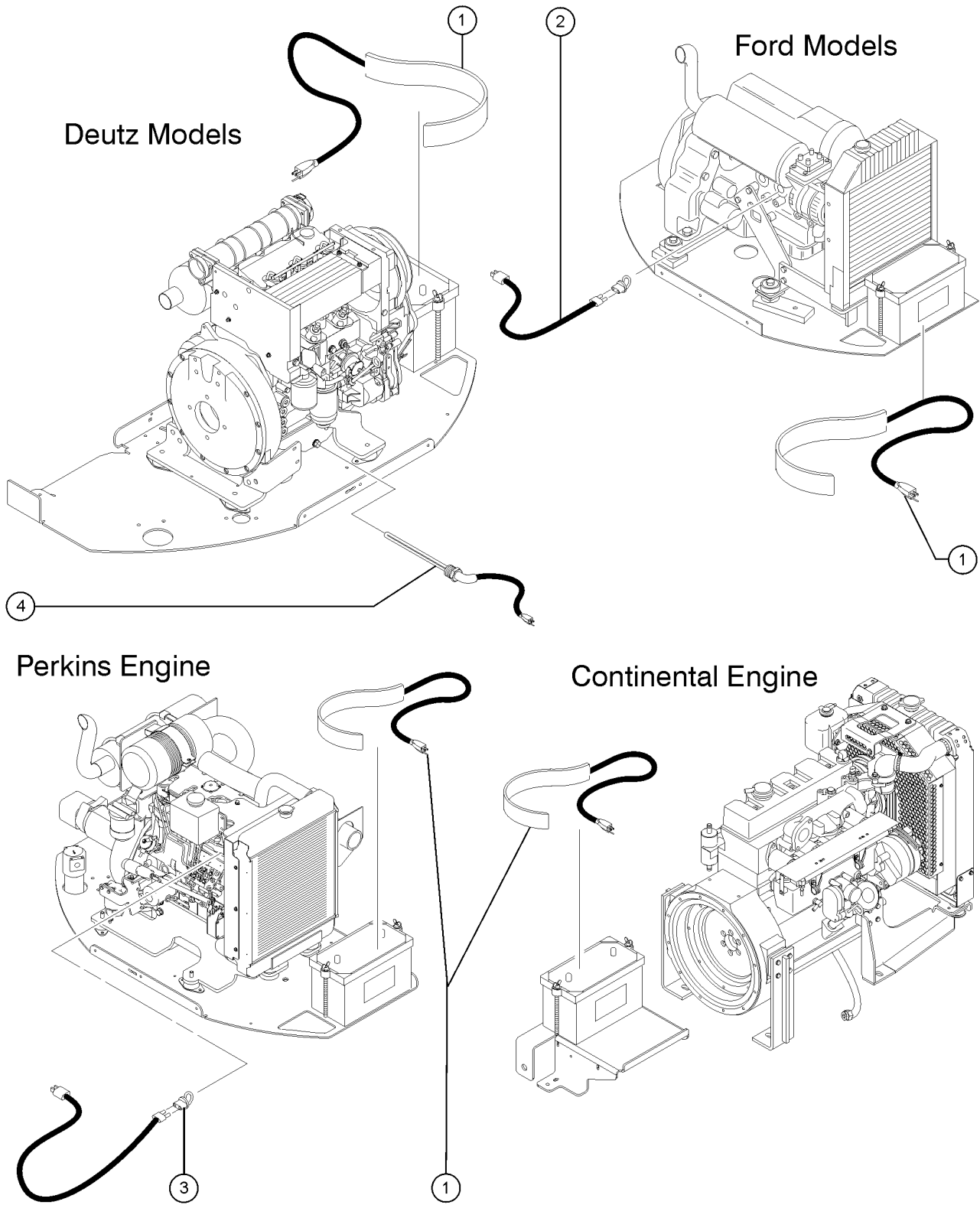


| LEGEND | |
|--------|---------------|
| | ADAPTER |
| | HOSE ASSEMBLY |
| | UNION |

819.1 Hydraulic Generator Option (MTE), Hoses and Fittings (from SN 3140)

| Item | Part No. | Description | Qty. |
|------|--------------|---|------|
| 1 | 48960GT | FITTING,CONN,520120-12***..... | 5 |
| 2 | 49861GT | CONN,LONG,520122-4..... | 2 |
| 3 | 48941GT | REDUCER,520123-8-4..... | 1 |
| 4 | 48935GT | TEE,RUN,520428-8..... | 1 |
| 5 | 48964GT | FITTING,TEE,RUN,SWIVEL52043212.... | 1 |
| 6 | 61073-8930GT | HOSE ASSY 3/4" 90 DEG STR FEM.....1 <i>components: 48841, 48846 and 48762 @ 86 inches</i> | 1 |
| 7 | 61073-3530GT | HOSE ASSY,3/4,90 FEM,STR FEM.....1 <i>components: 48841, 48846 and 48762 @ 32 inches</i> | 1 |
| 8 | 49117-9819GT | HOSE ASSY,1/4,90 FEM,STR FEM**.....1 <i>components: 48800, 48802 and 48751 @ 97 inches</i> | 1 |
| 9 | 61070-7450GT | HOSE ASSY,1/2",90 FEM,STR FEM.....1 <i>components: 48827, 48836 and 48756 @ 72 inches</i> | 1 |

820.1 Cold Start Package (to SN 4370)

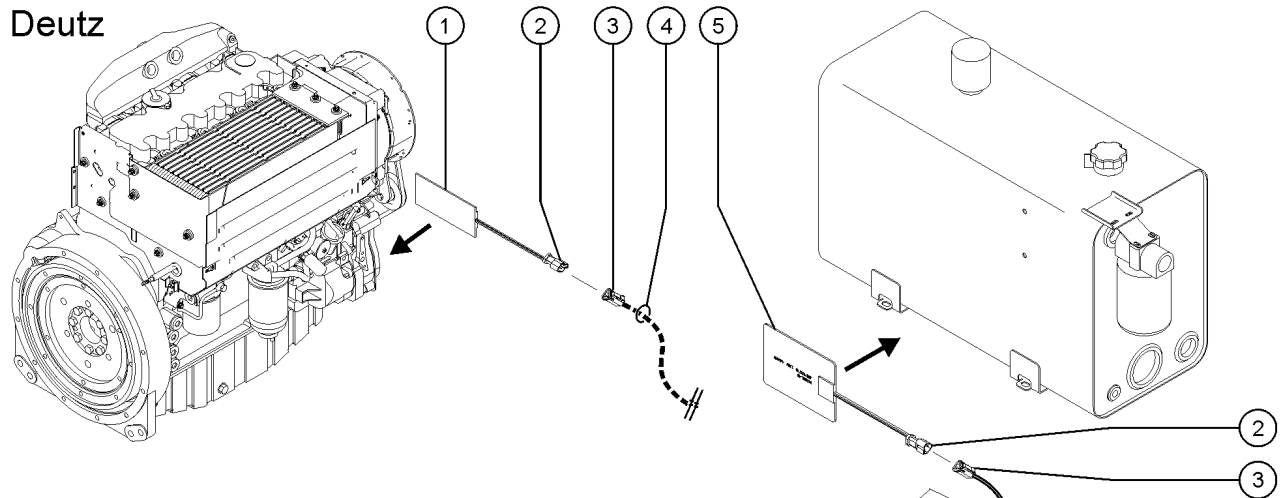


820.1 Cold Start Package (to SN 4370)

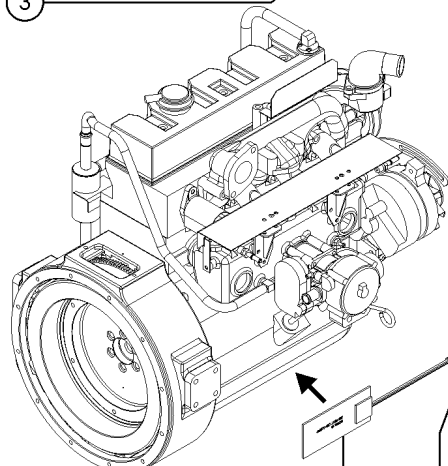
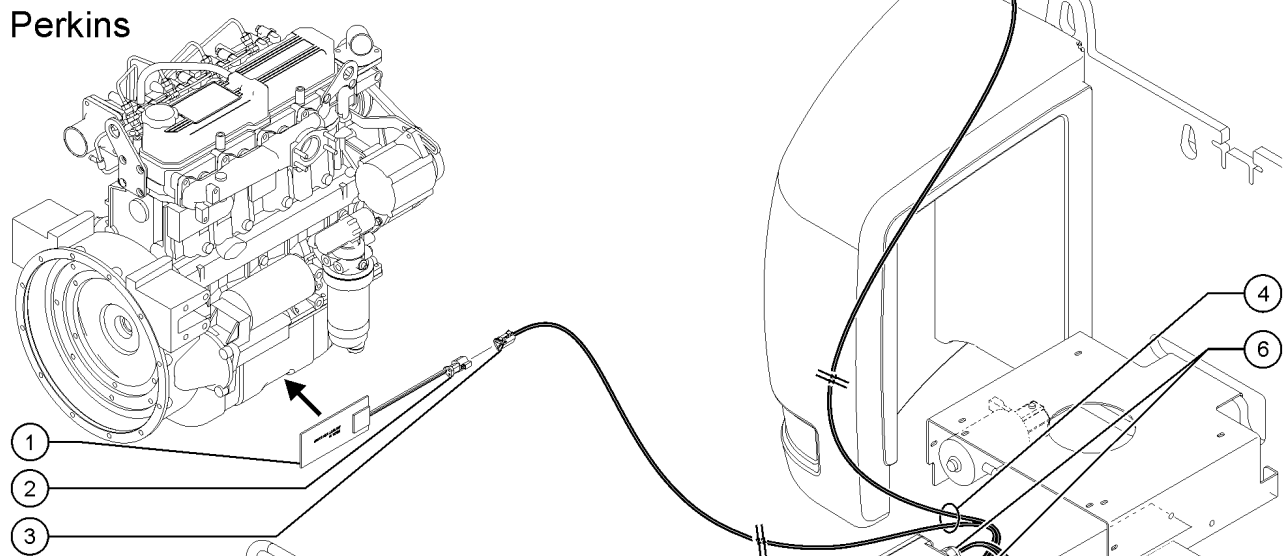
| Item | Part No. | Description | Qty. |
|------|----------|--|------|
| -- | 81784GT | COLD START,GM <i>GM models; includes item 1</i> | |
| -- | 53982GT | COLD START PKG,PERKINS,BB <i>Perkins models; includes items 2 and 3; to SN 328</i> | |
| -- | 81785GT | COLD START,DEUTZ 913 AND TURBO <i>Deutz models includes item 1; to SN 338</i> | |
| -- | 81837GT | FREEZE PLUG HEATER,GM 3.0L <i>GM Models</i> | |
| -- | | COLD START,CONTINENTAL,Z80 <i>Continental Models Includes item 1, Part is no longer available</i> | |
| 1 | 28853GT | BLANKET,BATTERY..... | 1 |
| 2 | 35610GT | HEATER,FREEZE PLUG,FORD LRG423..... | 1 |
| 3 | 101632GT | FREEZE PLUG HEATER,PERKINS 804 | |
| 4 | 128274GT | OIL PAN HEATER,DEUTZ,120V,150W.... | 1 |

820.2 Cold Start Package (from SN 4371)

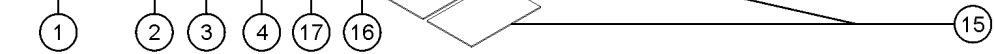
Deutz



Perkins



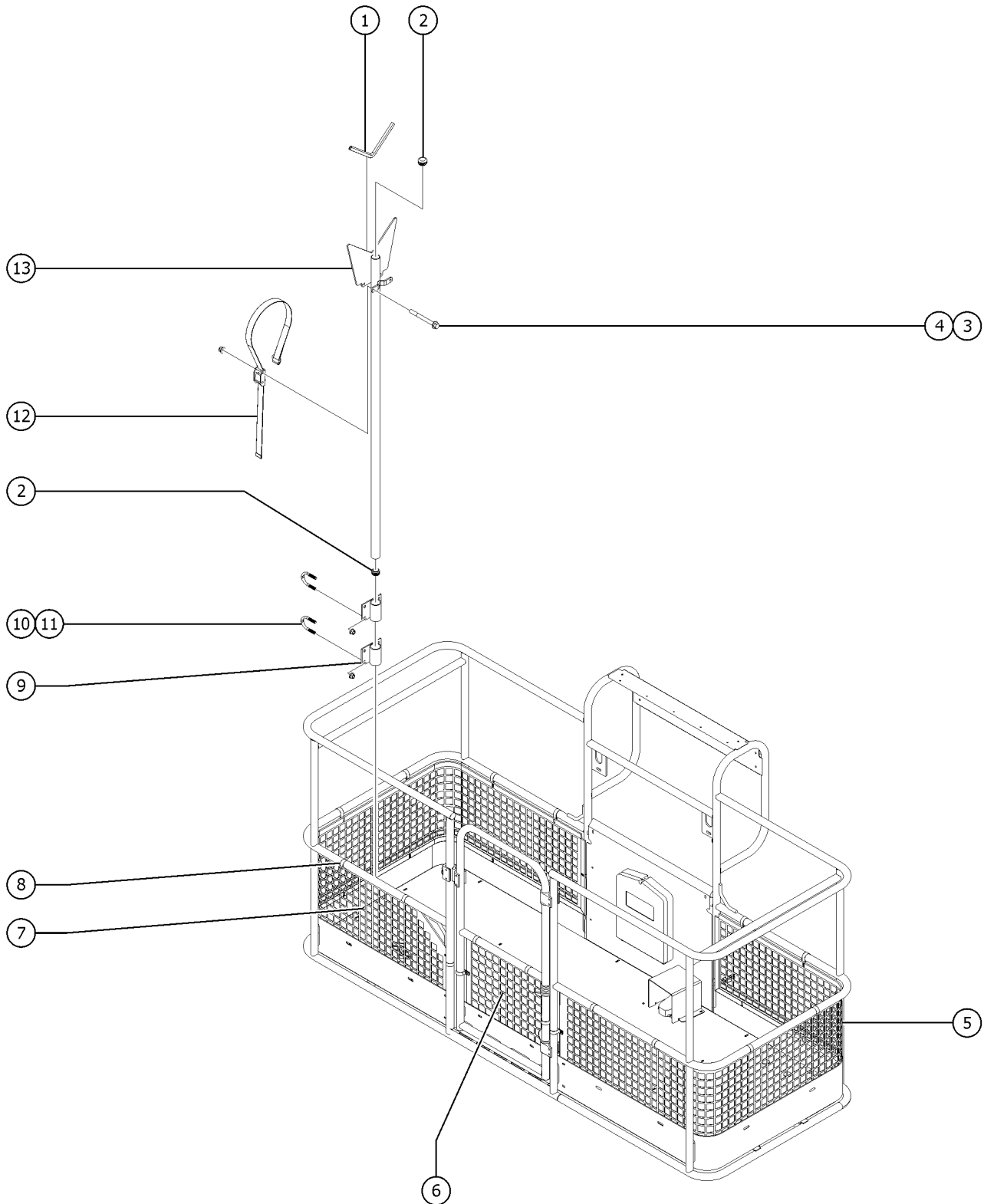
Continental



820.2 Cold Start Package (from SN 4371)

| Item | Part No. | Description | Qty. | Item | Part No. | Description | Qty. |
|------|-----------|---|------|------|----------|--|------|
| 1A | 216615GT | ASSY HEATER, MODEL 18, 120V.....1 (120V) | 1 | 17 | 119403GT | CONN,PLUG 120 AC/15A DOMESTIC <i>Part of wire harness</i> | |
| -- | 216616GT | ASSY HEATER,MODEL 18,240V (240V) | | | | | |
| -- | 1259661GT | ASSY,ENGINE HEATER,120V (120V) Deutz TD 2.9L4 models require two adhesive pads; use only one pad for other engines | | | | | |
| -- | 1259708GT | ASSY,ENGINE HEATER,240V (240V) Deutz TD 2.9L4 models require two adhesive pads; use only one pad for other engines | | | | | |
| 2 | 119066GT | CONN,RECEP 3 WAY ENDCAP DT <i>Part of heater assembly</i> | | | | | |
| 3 | 119057GT | CONN PLUG 3 WAY ENDCAP DT <i>Part of wire harness</i> | | | | | |
| 4 | 216662GT | HARNESS,ENG/HYD HEATER,120V.....1 (120V) | 1 | | | | |
| -- | 216683GT | HARNESS,ENG/HYD HEATER,240V (240V) | | | | | |
| 5 | 216612GT | ASSY,120V HEATER, HYD TANK.....1 (120V) | 1 | | | | |
| -- | 216611GT | ASSY,240V HEATER, HYD TANK (240V) | | | | | |
| 6 | 99778GT | SQUEEZE CONNECTOR, 4 WIRE.....2 <i>Part of wire harness</i> | 2 | | | | |
| -- | 238123GT | HUBBLE NUT, PG11 | | | | | |
| 7 | 216660GT | HARNESS, 120V BATT CABLE, 84".....1 (120V) | 1 | | | | |
| -- | 216681GT | HARNESS, 240V BATT CABLE, 84" (240V) | | | | | |
| 8 | 14392GT | NUT,LP NYLOCK,10-32 | | | | | |
| 9 | 6146GT | WASHER,FLAT,MS,#10,Y | | | | | |
| 10 | 75041GT | SCREW,PHILLIPS,PHM,10-32 X 1 | | | | | |
| 11 | 214249GT | COLD WEATHER 120V J BOX ASSY.....1 (120V) | 1 | | | | |
| -- | 237711GT | COLD WEATHER 240V J BOX ASSY (240V) | | | | | |
| 12 | 214536GT | SQUEEZE CONN W/NUT, 2WIRE, 4MM.....1 <i>Part of wire harness</i> | 1 | | | | |
| 13 | 119056GT | CONN,PLUG 2 WAY,14-18GA.....1 | 1 | | | | |
| 14 | 119065GT | CONN,RECEP 2 WAY ENDCAP DT.....1 | 1 | | | | |
| 15 | 216617GT | ASSY, BATTERY HEATER, 120V.....2 (120V) | 2 | | | | |
| 15 | 216618GT | ASSY BATTERY HEATER,240V (240V) | | | | | |
| 16 | 216645GT | HARNESS, 120V POWER CORD, 12"....1 (120V) includes items 12 and 17 | 1 | | | | |
| -- | 216646GT | HARNESS, 240V POWER CORD, 12" (240V) includes item 12 only | | | | | |

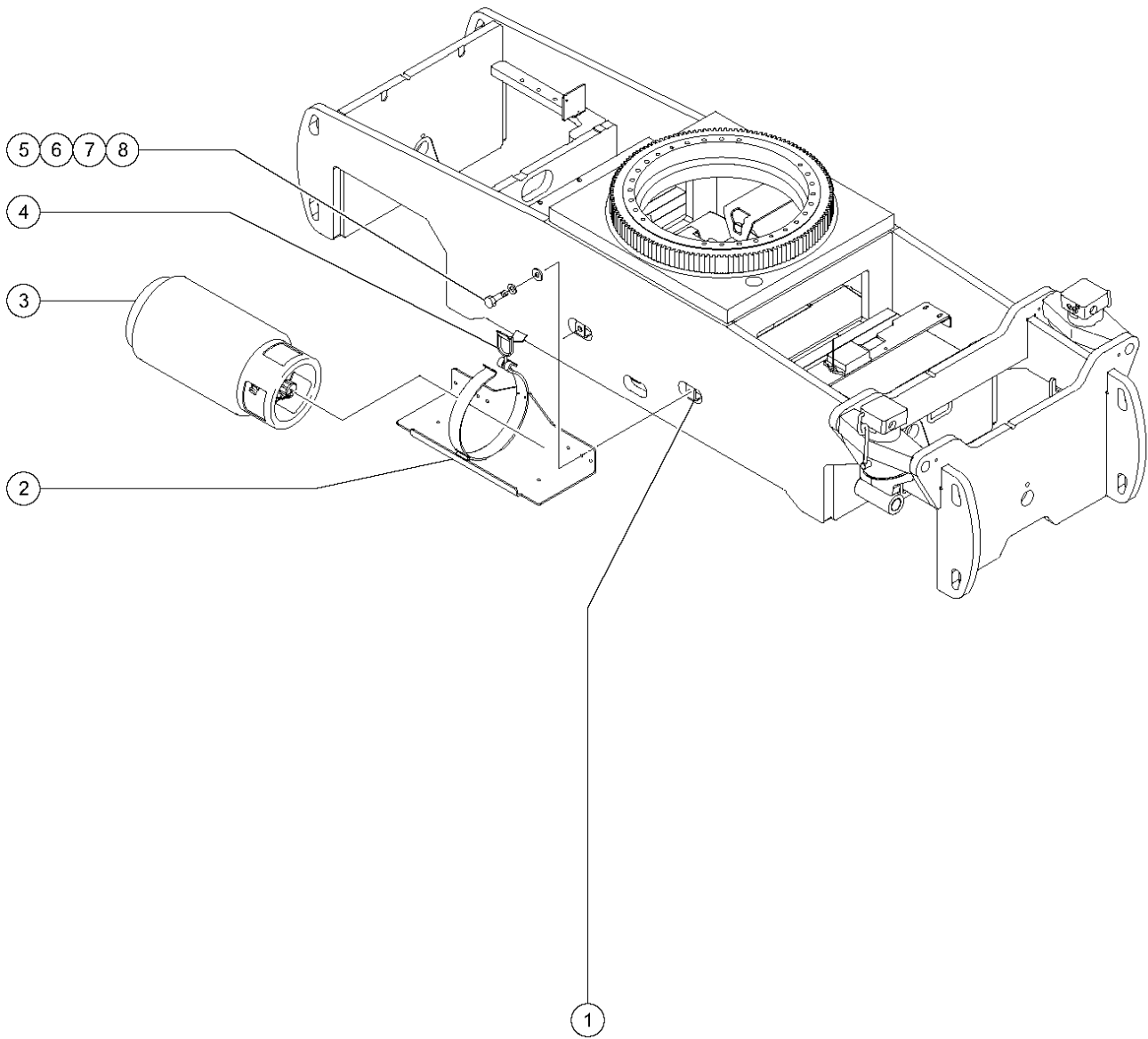
821.1 Half-Mesh and Pipe Cradle Options



821.1 Half-Mesh and Pipe Cradle Options

| Item | Part No. | Description | Qty. |
|------|--------------|---|------|
| A | 85300GT | PIPE CRADLE ASSY. SERV (ONE)** (ANSI & CE only) (This is a single assembly. Qty 2 of 85300GT required to complete a set) | |
| -- | 65630GT | INSTRUCTIONS-PIPE CRADLE,BOOMS | |
| B | 72875GT | DECAL,WARNING,PIPE CRADLE,BOOM | |
| C | 73958-S | OPTION,6' HALF MESH PLAT/GATE | |
| D | 73956-S | OPTION,8' HALF MESH PLAT/GATE* | |
| E | | Ref. Swing Gate Option, Complete (refer to 802.1) | |
| 1 | 19018-1100GT | TRIMLOCK,BLACK,5/32"..... | 2 |
| 2 | 55753GT | BUMPER, PLASTIC, 1.25 O.D..... | 4 |
| 3 | 824083GT | SCREW,HHF,1/4-20X2.5,8,ZAG..... | 4 |
| 4 | 1277924GT | NUT,NYLOCK FLG,1/4-20,F,ZAG..... | 4 |
| 5 | 73500GT | HALF MESH,8'PLATFORM,RH***..... | 1 |
| -- | 54465GT | MESH,HALF,RH,6'PLATFORM | |
| 6 | 54457GT | MESH,HALF,SWING GATE***..... | 1 |
| 7 | 73501GT | HALF MESH,8'PLATFORM,LH..... | 1 |
| -- | 54458GT | MESH,HALF,LH,6'PLATFORM | |
| 8 | 56424GT | CLAMP,1.25X.5 RUBBER-CUSHION | |
| -- | 6090GT | SCREW,HHC,1/4-20 X .75 | |
| -- | 6091GT | NUT,NYLOCK,1/4-20 | |
| -- | 6638GT | WASHER,FLAT,USS,1/4"Y | |
| 9 | 81368GT | WELDMENT,PIPE CRADLE MOUNT..... | 4 |
| 10 | 1251600GT | U-BOLT, FLATTENED, 1.5 X 3/8 UNC,ZAG..... | 8 |
| 11 | 1274322GT | NUT,NYLOCK FLG,3/8-16,F,ZAG..... | 16 |
| 12 | 56570GT | STRAP, CONDUIT HOLDER 60****..... | 2 |
| 13 | 56525GT | WELDMENT, PIPE CRADLE..... | 2 |

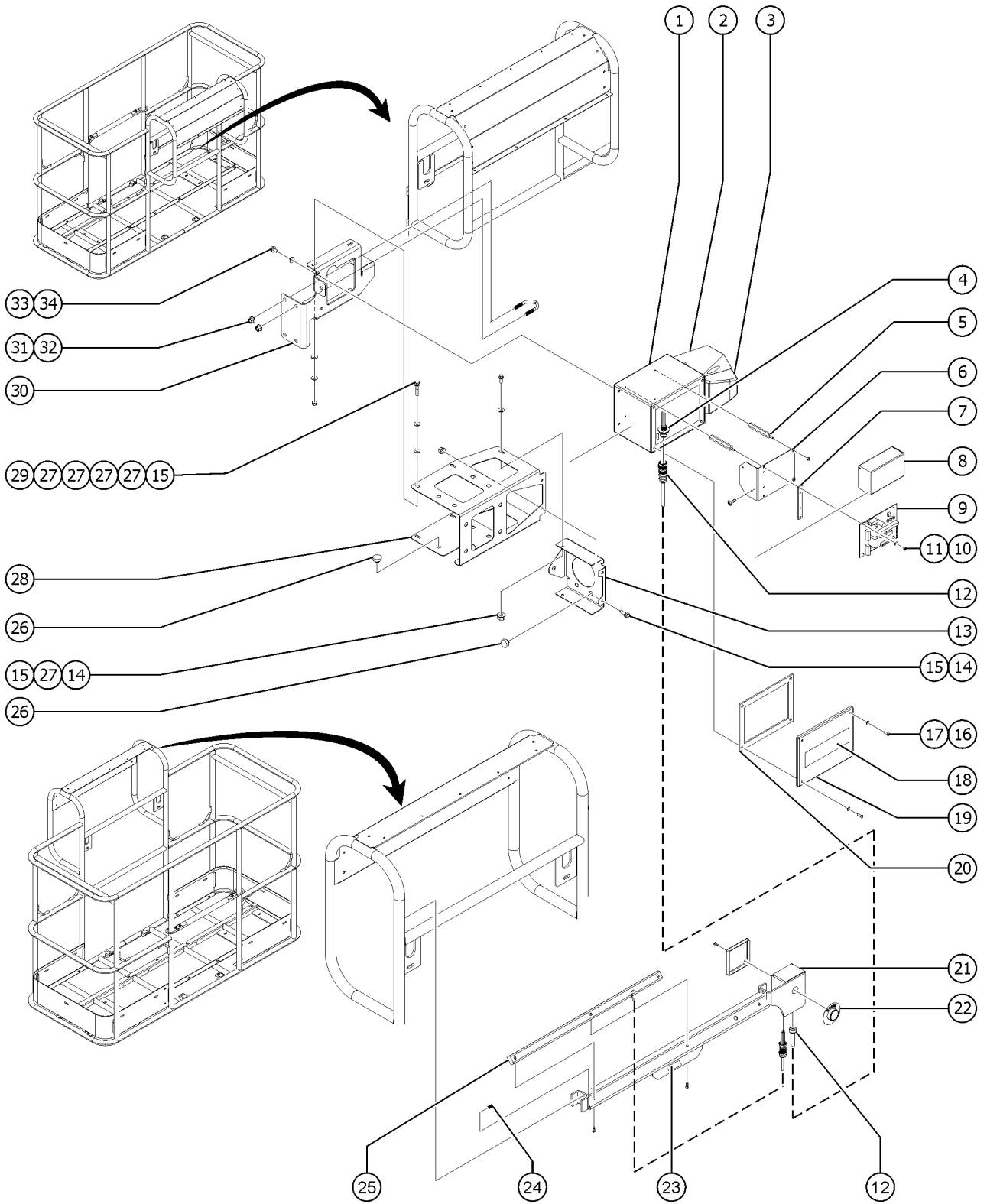
822.1 Spare LPG Tank Carrier Option



822.1 Spare LPG Tank Carrier Option

| Item | Part No. | Description | Qty. |
|------|-----------|------------------------------------|------|
| -- | 77853GT | OPTION,LP TANK 2ND | |
| 1 | 77785PGT | FORMING,LP BRACKET MOUNT.....2 | |
| 2 | 60143-SGT | WELD, LPG TANK MOUNT.....1 | |
| 3 | 53605GT | TANK, 7 GAL/33.5 POUND, LP.....1 | |
| 4 | 49000GT | L.P.TANK LATCH.....1 | |
| 5 | 8516GT | SCREW, HCC, 3/8-16 X 1.50 | |
| 6 | 6021GT | WASHER,LOCK,.375 | |
| 7 | 6097GT | WASHER,FLAT,USS,3/8",Y | |
| 8 | 29868GT | SPRING CLIP,3/8-16,.05-.20X.73,ZAG | |

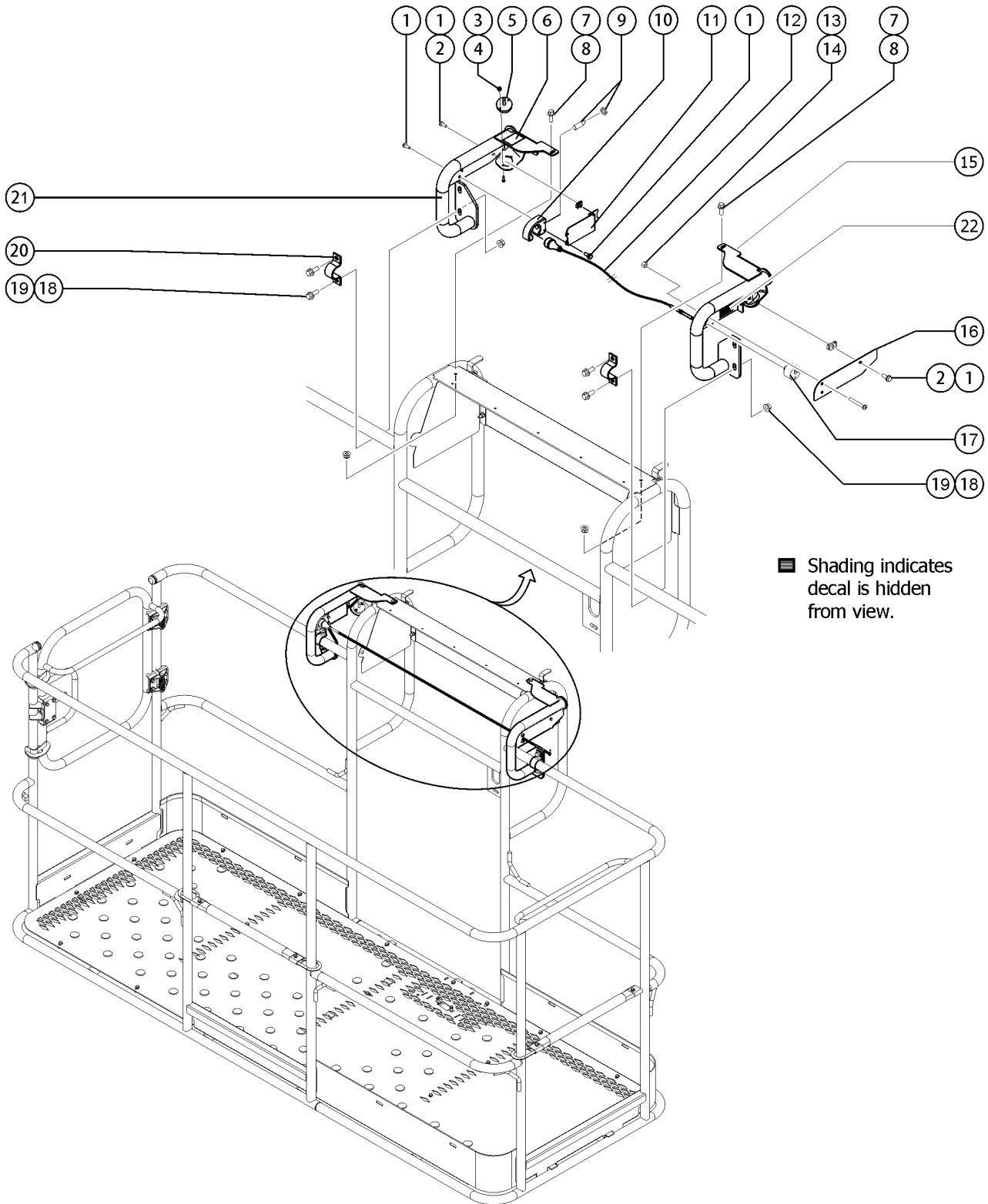
823.1 Operators Protection Alarm (to January 2017)



823.1 Operators Protection Alarm (to January 2017)

| Item | Part No. | Description | Qty. | Item | Part No. | Description | Qty. |
|------|-----------|---|------|------|-----------|---|------|
| B | 1275537GT | ASSEMBLY, OPA PROTECTION CAGE..... | 1 | 32 | 1251600GT | U-BOLT, FLATTENED, 1.5 X 3/8 UNC,ZAG..... | 2 |
| C | 1255556GT | HARN,PLATFORM,OPA,ALC1000..... | 1 | 33 | 237238GT | SCREW,HHF,M6-1.0X12,DIN6921,10..... | 2 |
| D | 1255030GT | PLUG,BLANKING..... | 1 | 34 | 1257389GT | WASHER, FLAT, M6X18X1.6,DIN9021,ZAB..... | 2 |
| 1 | 1255018GT | BASE ENCLOSURE,RED,OPA..... | 1 | | | | |
| 2 | 1255021GT | SOUNDER,MIDI,OPA..... | 1 | | | | |
| 3A | 1255037GT | SOUNDER LENS, OPA, BLUE..... <i>(standard lens fitted to OPA)</i> | 1 | | | | |
| 3B | 1270116GT | SOUNDER LENS, OPA, RED..... | 1 | | | | |
| 3C | 1270117GT | SOUNDER LENS, OPA, AMBER..... | 1 | | | | |
| 3D | 1270118GT | SOUNDER LENS, OPA, CLEAR..... | 1 | | | | |
| 4 | 1255033GT | HARN,PIGTAIL,TAPESWITCH,OPA..... | 1 | | | | |
| 5 | 1255028GT | STAND OFF,CONTROL UNIT..... | 4 | | | | |
| 6 | 1255024GT | BRACKET,CONTROL UNIT..... | 1 | | | | |
| 7 | 1255025GT | SPACER,HEAT SINK..... | 1 | | | | |
| 8 | 1255023GT | ASSY,MODULE,CONTROL UNIT,OPA.... | 1 | | | | |
| 9 | 1255022GT | MODULE,CONTROL UNIT,PCB,OPA.... | 1 | | | | |
| 10 | 1255067GT | NUT,M4 NYLOCK..... | 4 | | | | |
| 11 | 1255066GT | WASHER,M4 NYLON..... | 4 | | | | |
| 12 | 1255035GT | ASSEMBLY,CABLE,TAPESWITCH..... | 1 | | | | |
| 13 | 1275539GT | FORMING, OPA CAP..... | 1 | | | | |
| 14 | 824078GT | SCREW,HHF,1/4-20X.75,8,ZAG..... | 5 | | | | |
| 15 | 824027GT | NUT,TL FLG,1/4-20,G,ZAG..... | 9 | | | | |
| 16 | 1255038GT | SCREW,M5X16 BHD..... | 4 | | | | |
| 17 | 1255027GT | WASHER,M5 NYLON..... | 4 | | | | |
| 18 | 1255890GT | DECAL,COSMETIC,GENIE..... | 1 | | | | |
| 19 | 1255020GT | LID ENCLOSURE,RED,OPA..... | 1 | | | | |
| 20 | 1255019GT | GASKET,ENCLOSURE..... | 1 | | | | |
| 21 | 1255029GT | ASSEMBLY,TAPESWITCH..... <i>"(6'8' platforms) (includes j-box and fasteners)"</i> | 1 | | | | |
| 22 | 1255036GT | ASSEMBLY RESET SWITCH..... | 1 | | | | |
| 23 | 1255889GT | DECAL,SYMBOL-READ THE MANUAL..... | 1 | | | | |
| 24 | 1255068GT | SCREW,M6X8..... | 2 | | | | |
| 25 | 1255047GT | SENSOR,RUBBER EDGE..... <i>(6'8' platforms)</i> | 1 | | | | |
| 26 | 43392GT | BUMPER,BATTERY BOX & RAILS..... | 17 | | | | |
| 27 | 824113GT | WASHER,FLAT,USS,1/4,ZAG..... | 19 | | | | |
| 28 | 1275538GT | FORMING, OPA CAGE..... | 1 | | | | |
| 29 | 824080GT | SCREW,HHF,1/4-20X1.25,8,ZAG..... | 4 | | | | |
| 30 | 1275540GT | FORMING, OPA, BRACKET..... | 1 | | | | |
| -- | 1271945GT | KIT, OPA WELDER BRACKET <i>Complete assembly bracket with fasteners and U-Bolt 1251600; from SN 6009</i> | | | | | |
| 31 | 824029GT | NUT,TL FLG,3/8-16,G,ZAG..... | 4 | | | | |

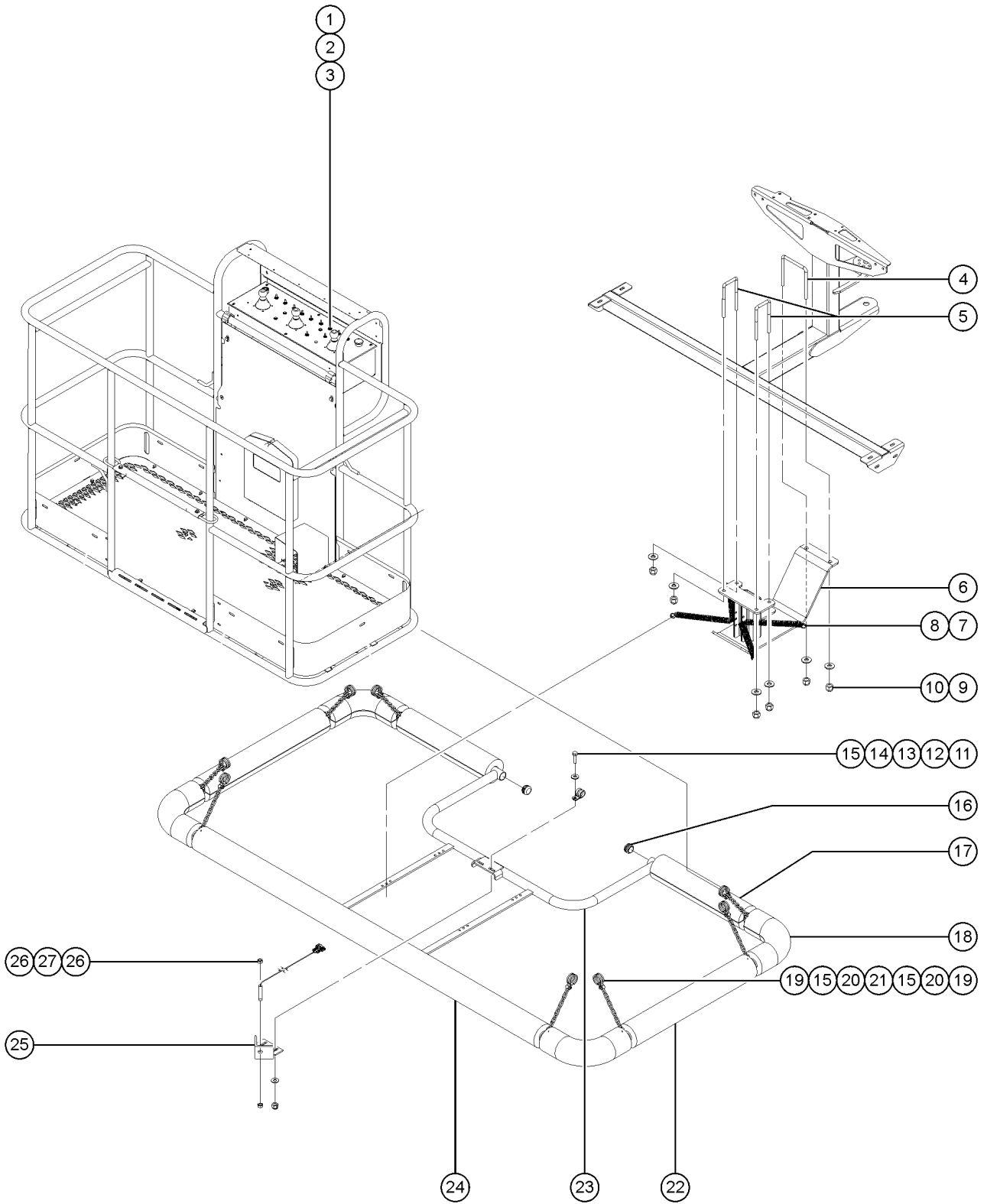
823.2 Lift Guard Contact Alarm Option (from January 2017)



823.2 Lift Guard Contact Alarm Option (from January 2017)

| Item | Part No. | Description | Qty. | Item | Part No. | Description | Qty. |
|------|-----------|---|------|------|-----------|---|------|
| -- | | <i>From January 2017, this option became a standard installation on all models unless the customer specifically request not to have it installed.</i> | | 22 | 1278982GT | DECAL, INSTRUCTION, ACTUATOR SWITCH SOCKET..... | 1 |
| -- | 1279134GT | KIT, LIFT GUARD CONTACT ALARM,6'-8' PLATFORM,ALC1000 | | | | | |
| -- | 1278117GT | HARNESS, CONTACT ALARM, ALC1000 | | | | | |
| -- | 19274GT | RELAY,SPDT,12V(AUTO)** | | | | | |
| -- | 1278121GT | MODULE, PLUS+1, CONTACT ALARM located inside the Platform Control Box | | | | | |
| 1 | 1264934GT | SCREW,HHF,10-24X.5 | | | | | |
| 2 | 73575GT | SPRING CLIP,10-24,.025-.125X.468,ZAG | | | | | |
| 3 | 12344GT | NUT,NYLOCK,6-32 | | | | | |
| 4 | 1256859GT | SCREW,PHPM,6-32X.875,ZAG | | | | | |
| 5 | 1278111GT | ASSEMBLY, LIGHT, CONTACT ALARM..... | 2 | | | | |
| 6 | 1278542GT | DECAL, INSTRUCTION, CONTACT ALARM | | | | | |
| 7 | 824078GT | SCREW,HHF,1/4-20X.75,8,ZAG | | | | | |
| 8 | 1277924GT | NUT,NYLOCK FLG,1/4-20,F,ZAG | | | | | |
| 9 | 1278119GT | ASSEMBLY, SENSOR, PROX, CONTACT ALARM..... | 1 | | | | |
| 10 | 1278433GT | ASSY, SENSOR W/HOUSING (Includes holder item 1277877 and sensor part 1278119) | | | | | |
| -- | 1277877GT | HOLDER, SENSOR..... | 1 | | | | |
| 11 | 1277873GT | FORMING, SENSOR HOLDER..... | 1 | | | | |
| 12 | 1278416GT | ASSEMBLY,CONTACT ALARM CABLE, LARGE..... | 1 | | | | |
| -- | 1261184GT | NUT,1/4-20,8,ZAG Part of assembly 1278416 | | | | | |
| -- | 1278124GT | MAGNET, 1/4-20, 15 LB. Part of assembly 1278416 | | | | | |
| -- | 1278368GT | GRIP, CABLE Part of assembly 1278416 | | | | | |
| -- | 1278458GT | CONTACT ALARM WIRE ASSY, LARGE Part of assembly 1278416 | | | | | |
| 13 | 1274168GT | NUT,NYLOCK,10-32,A,ZAG | | | | | |
| 14 | 824216GT | SCREW,PHPM,10-32X1.5,ZAG | | | | | |
| 15 | 1278138GT | WELDMENT, RIGHT CONTACT ALARM, LARGE..... | 1 | | | | |
| 16 | 1277875GT | PLATE, CABLE AND WIRE COVER..... | 1 | | | | |
| 17 | 1277876GT | GUIDE, CABLE..... | 1 | | | | |
| 18 | 1274322GT | NUT,NYLOCK FLG,3/8-16,F,ZAG | | | | | |
| 19 | 824090GT | SCREW,HHF,3/8-16X1.8,ZAG | | | | | |
| 20 | 1278363GT | CLAMP, 1.25 INCH TUBE..... | 2 | | | | |
| 21 | 1278144GT | WELDMENT, LEFT CONTACT ALARM, LARGE..... | 1 | | | | |

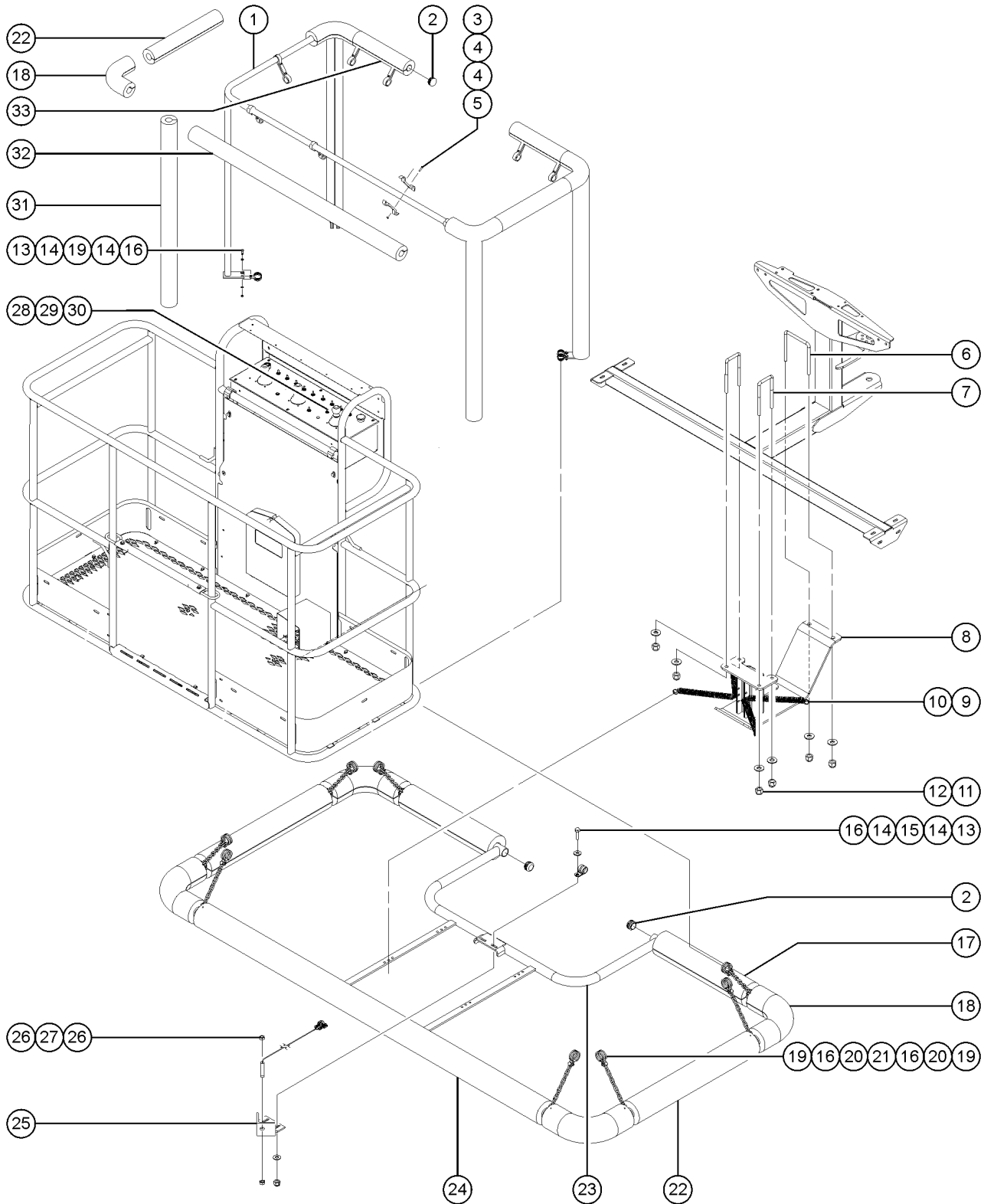
824.1 Aircraft Protection Package, Standard (from SN 2463 to 4800)



824.1 Aircraft Protection Package, Standard (from SN 2463 to 4800)

| Item | Part No. | Description | Qty. |
|------|--------------|---|------|
| 1 | 128203GT | SWITCH TOGGLE ASSY SPDT 2P MOM..... | 1 |
| -- | 139882GT | HARN, AC PROTECTION BYPASS..... | 1 |
| 2 | 27246GT | BOOT,TOGGLE SWITCH,SHORT*..... | 1 |
| 3 | | Ref. DECAL,FUNCTION OVERRIDE..... <i>(refer to 101.1)</i> | 1 |
| 4 | 106044GT | U-BOLT,3/8-16X4X4.63X3.00..... | 1 |
| 5 | 66472GT | U-BOLT, SQR, 3/8-16X2X5, PLTD..... | 2 |
| 6 | 139904GT | WELDMENT, SKIDPLATE**..... | 1 |
| 7 | 88384GT | SPRING, SS, 3/4-EO750-69-4500..... | 4 |
| 8 | 88385GT | SPRING, SS, 1/2-EO500-49-4500..... | 4 |
| 9 | 4828GT | NUT,NYLOCK,3/8-16 | |
| 10 | 5397GT | WASHER,FLAT,USS,5/16",Y | |
| 11 | 6888GT | SCREW,HHC,1/4-20 X 1 | |
| 12 | 6638GT | WASHER,FLAT,USS,1/4"Y | |
| 13 | 6833GT | CLAMP,0.50,#8 X 1/4,RUB CUSH..... | 1 |
| 14 | 6638GT | WASHER,FLAT,USS,1/4"Y | |
| 15 | 6091GT | NUT,NYLOCK,1/4-20 | |
| 16 | 55753GT | BUMPER, PLASTIC, 1.25 O.D..... | 2 |
| 17 | 75617-1675GT | PADDING,FOAM 3.5"OD X 1.50"ID..... | 2 |
| 18 | 75636GT | PADDING,FOAM,3.0"X1.50ID 90DEG..... | 4 |
| 19 | 21618GT | CLAMP,1.13,#18 X 1/4,RUB CUSH..... | 16 |
| 20 | 6090GT | SCREW,HHC,1/4-20 X .75 | |
| 21 | 56426-700GT | CHAIN,NO.2 (11 LINKS)..... | 8 |
| 22 | 75617-2275GT | PADDING,FOAM 3.5"OD X 1.50"ID..... | 2 |
| 23 | 139181GT | WELDMENT,AIRCRAFT SENSOR BUMPR..... | 1 |
| 24 | 75617-6475GT | PADDING,FOAM 3.5"OD X 1.50"ID..... | 1 |
| 25 | 77797GT | WELDMENT, SENSOR MOUNT..... | 1 |
| 26 | 88390GT | NUT,HEX,M8,PLASTIC | |
| 27 | 81532GT | HARNESS,PROX.KILL..... <i>includes 27391 proximity sensor</i> | 1 |
| -- | 1262767GT | HARNESS,PROX SENSOR,ACP <i>includes 27391 proximity sensor</i> | |
| -- | 27391GT | PROXIMITY SENSOR*** | |

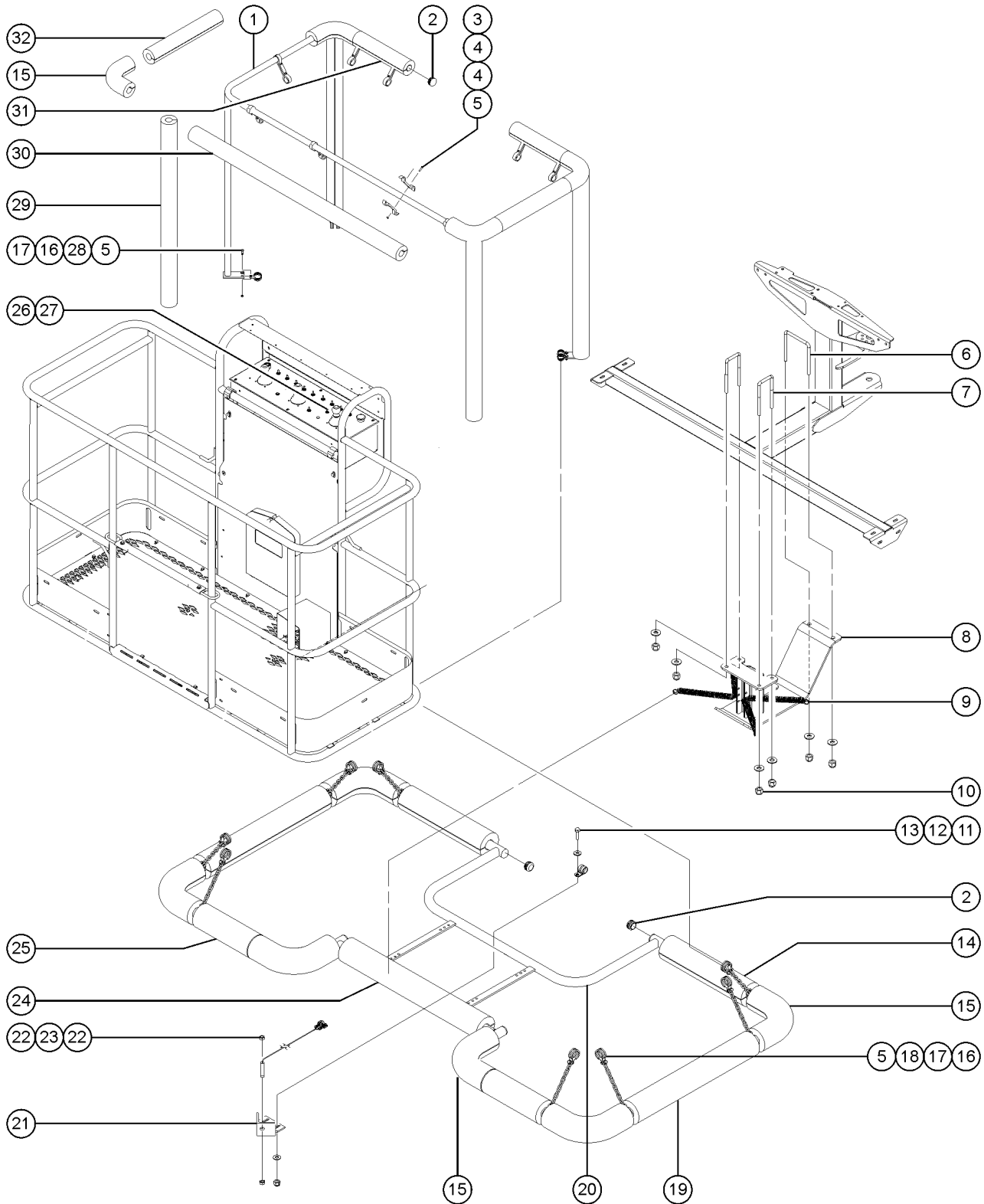
825.1 Aircraft Protection Package, Deluxe (from SN 2463 to 4800)



825.1 Aircraft Protection Package, Deluxe (from SN 2463 to 4800)

| Item | Part No. | Description | Qty. |
|------|--------------|--|------|
| 1 | 46188GT | WELDMENT, AIRCRAFT TOP BUMPER..... | 1 |
| 2 | 55753GT | BUMPER, PLASTIC, 1.25 O.D..... | 4 |
| 3 | 122231GT | SCREW,BHSC,1/4-20 X 1 | |
| 4 | 122073GT | SUPPORT, RAILING..... | 20 |
| 5 | 6889GT | NUT,LP NYLOCK,1/4-20 | |
| 6 | 106044GT | U-BOLT,3/8-16X4X4.63X3.00..... | 1 |
| 7 | 66472GT | U-BOLT, SQR, 3/8-16X2X5, PLTD..... | 2 |
| 8 | 139904GT | WELDMENT, SKIDPLATE**..... | 1 |
| 9 | 88384GT | SPRING, SS, 3/4-EO750-69-4500..... | 4 |
| 10 | 88385GT | SPRING, SS, 1/2-EO500-49-4500..... | 4 |
| 11 | 4828GT | NUT,NYLOCK,3/8-16 | |
| 12 | 5397GT | WASHER,FLAT,USS,5/16",Y | |
| 13 | 6888GT | SCREW,HHC,1/4-20 X 1 | |
| 14 | 6638GT | WASHER,FLAT,USS,1/4"Y | |
| 15 | 6833GT | CLAMP,0.50,#8 X 1/4,RUB CUSH..... | 1 |
| 16 | 6091GT | NUT,NYLOCK,1/4-20 | |
| 17 | 75617-1675GT | PADDING,FOAM 3.5"OD X 1.50"ID..... | 2 |
| 18 | 75636GT | PADDING,FOAM,3.0"X1.50ID 90DEG..... | 8 |
| 19 | 21618GT | CLAMP,1.13,#18 X 1/4,RUB CUSH..... | 16 |
| 20 | 6090GT | SCREW,HHC,1/4-20 X .75 | |
| 21 | 56426-700GT | CHAIN,NO.2 (11 LINKS)..... | 8 |
| 22 | 75617-2275GT | PADDING,FOAM 3.5"OD X 1.50"ID..... | 4 |
| 23 | 139181GT | WELDMENT,AIRCRAFT SENSOR BUMPR..... | 1 |
| 24 | 75617-6475GT | PADDING,FOAM 3.5"OD X 1.50"ID..... | 1 |
| 25 | 77797GT | WELDMENT, SENSOR MOUNT..... | 1 |
| 26 | 88390GT | NUT,HEX,M8,PLASTIC | |
| 27 | 81532GT | HARNES,PROX.KILL..... <i>includes 27391 proximity sensor</i> | 1 |
| -- | 1262767GT | HARNES,PROX SENSOR,ACP <i>includes 27391 proximity sensor</i> | |
| -- | 27391GT | PROXIMITY SENSOR*** | |
| 28 | 128203GT | SWITCH TOGGLE ASSY SPDT 2P MOM..... | 1 |
| -- | 139882GT | HARN, AC PROTECTION BYPASS..... | 1 |
| 29 | 27246GT | BOOT,TOGGLE SWITCH,SHORT*..... | 1 |
| 30 | | Ref. DECAL,FUNCTION OVERRIDE..... <i>(refer to 101.1)</i> | 1 |
| 31 | 75617-4788GT | PADDING,FOAM 3.5"OD X 1.50"ID..... | 4 |
| 32 | 75617-6275GT | PADDING,FOAM 3.5"OD X 1.50"ID..... | 1 |
| 33 | 75617-1538GT | PADDING,FOAM 3.5"OD X 1.50"ID..... | 2 |

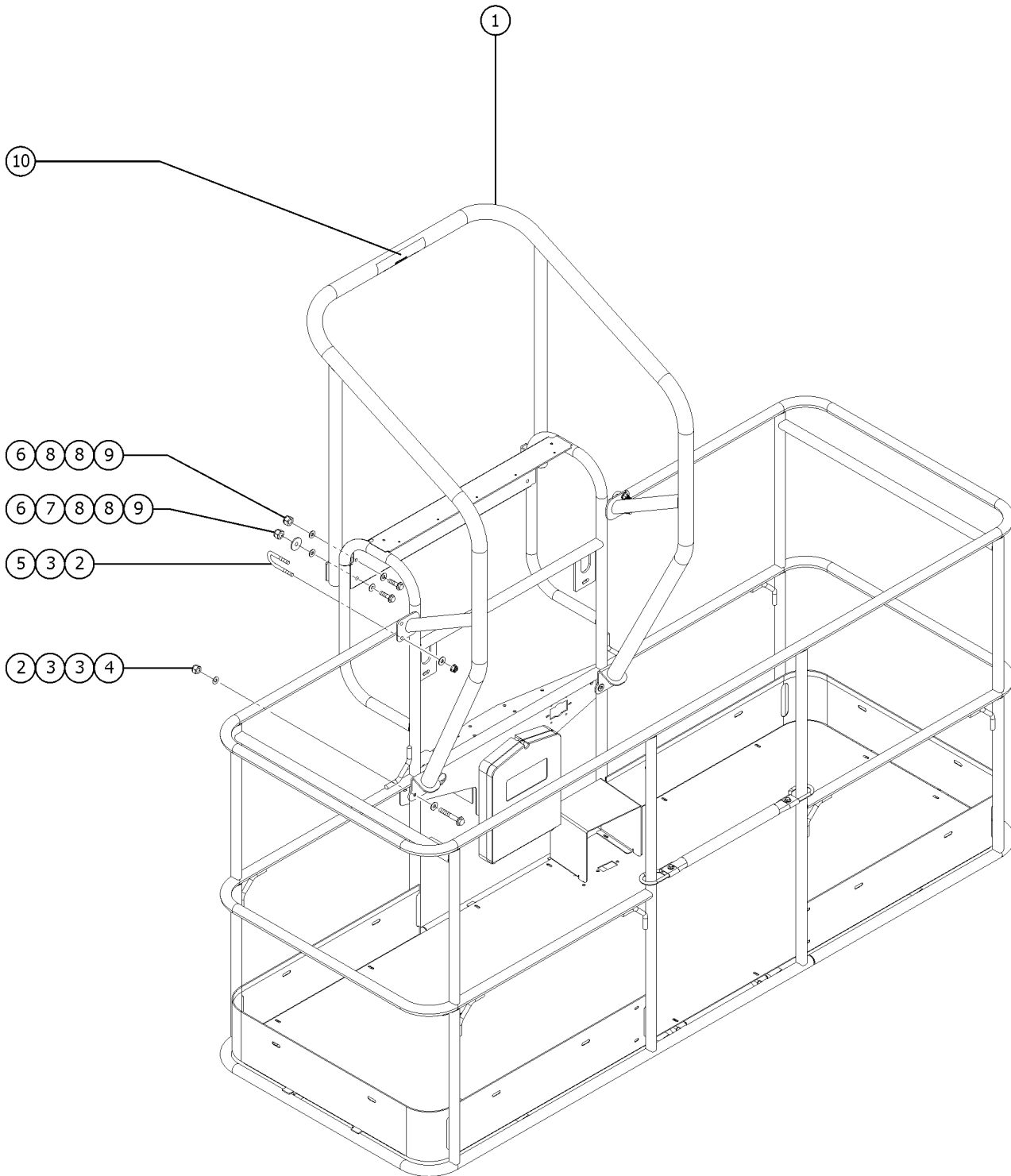
825.2 Aircraft Protection Package (from SN 4801)



825.2 Aircraft Protection Package (from SN 4801)

| Item | Part No. | Description | Qty. |
|------|--------------|---|------|
| 1 | 46188GT | WELDMENT, AIRCRAFT TOP BUMPER..... | 1 |
| 2 | 55753GT | BUMPER, PLASTIC, 1.25 O.D. | |
| 3 | 824227GT | SCREW, BHC, 1/4-20 X 1, ZAG | |
| 4 | 122073GT | SUPPORT, RAILING..... | 20 |
| 5 | 824027GT | NUT, TL FLG, 1/4-20, G, ZAG | |
| 6 | 106044GT | U-BOLT, 3/8-16X4X4.63X3.00..... | 1 |
| 7 | 66472GT | U-BOLT, SQR, 3/8-16X2X5, PLTD..... | 2 |
| 8 | 822764GT | WDMT, SKID PLATE..... | 1 |
| 9 | 822769GT | SPRING, EXTENSION, 1.92LB/IN..... | 4 |
| 10 | 824029GT | NUT, TL FLG, 3/8-16, G, ZAG | |
| 11 | 6888GT | SCREW, HHC, 1/4-20 X 1 | |
| 12 | 6833GT | CLAMP, 0.50, #8 X 1/4, RUB CUSH..... | 1 |
| 13 | 6091GT | NUT, NYLOCK, 1/4-20 | |
| 14 | 75617-1550GT | PADDING, FOAM 3.5"OD X 1.50"ID..... | 2 |
| 15 | 75636GT | PADDING, FOAM, 3.0"X1.50ID 90DEG..... | 10 |
| 16 | 21618GT | CLAMP, 1.13, #18 X 1/4, RUB CUSH..... | 24 |
| 17 | 824078GT | SCREW, HHF, 1/4-20X.75, 8, ZAG | |
| 18 | 56426-700GT | CHAIN, NO.2 (11 LINKS)..... | 8 |
| 19 | 75617-2275GT | PADDING, FOAM 3.5"OD X 1.50"ID..... | 2 |
| 20 | 822759GT | WDMT, AIRCRAFT SENSOR BUMPER...1 | |
| 21 | 77797GT | WELDMENT, SENSOR MOUNT..... | 1 |
| 22 | 88390GT | NUT, HEX, M8, PLASTIC | |
| 23 | 1261292GT | HARNES ASSY, PCON, PROX KILL..... <i>includes 27391 proximity sensor</i> | 1 |
| -- | 128580GT | SWITCH TOGGLE SPDT 3P MOM SHDR | |
| -- | 27391GT | PROXIMITY SENSOR***..... | 1 |
| 24 | 822768GT | FOAM, AIRCRAFT PROTECTION..... | 1 |
| 25 | 75617-1025GT | PADDING, FOAM 3.5"OD X 1.50"ID..... | 2 |
| 26 | 128203GT | SWITCH TOGGLE ASSY SPDT 2P MOM..... | 1 |
| 27 | 27246GT | BOOT, TOGGLE SWITCH, SHORT*..... | 1 |
| 28 | 81802GT | PLATE, AIRCRAFT PROTECTION OPT..... | 4 |
| 29 | 1259329GT | PADDING, FOAM, 46.5"..... | 4 |
| 30 | 75617-6275GT | PADDING, FOAM 3.5"OD X 1.50"ID..... | 1 |
| 31 | 1259328GT | PADDING, FOAM, 15.5"..... | 2 |
| 32 | 75617-2075GT | PADDING, FOAM 3.5"OD X 1.50"ID..... | 2 |

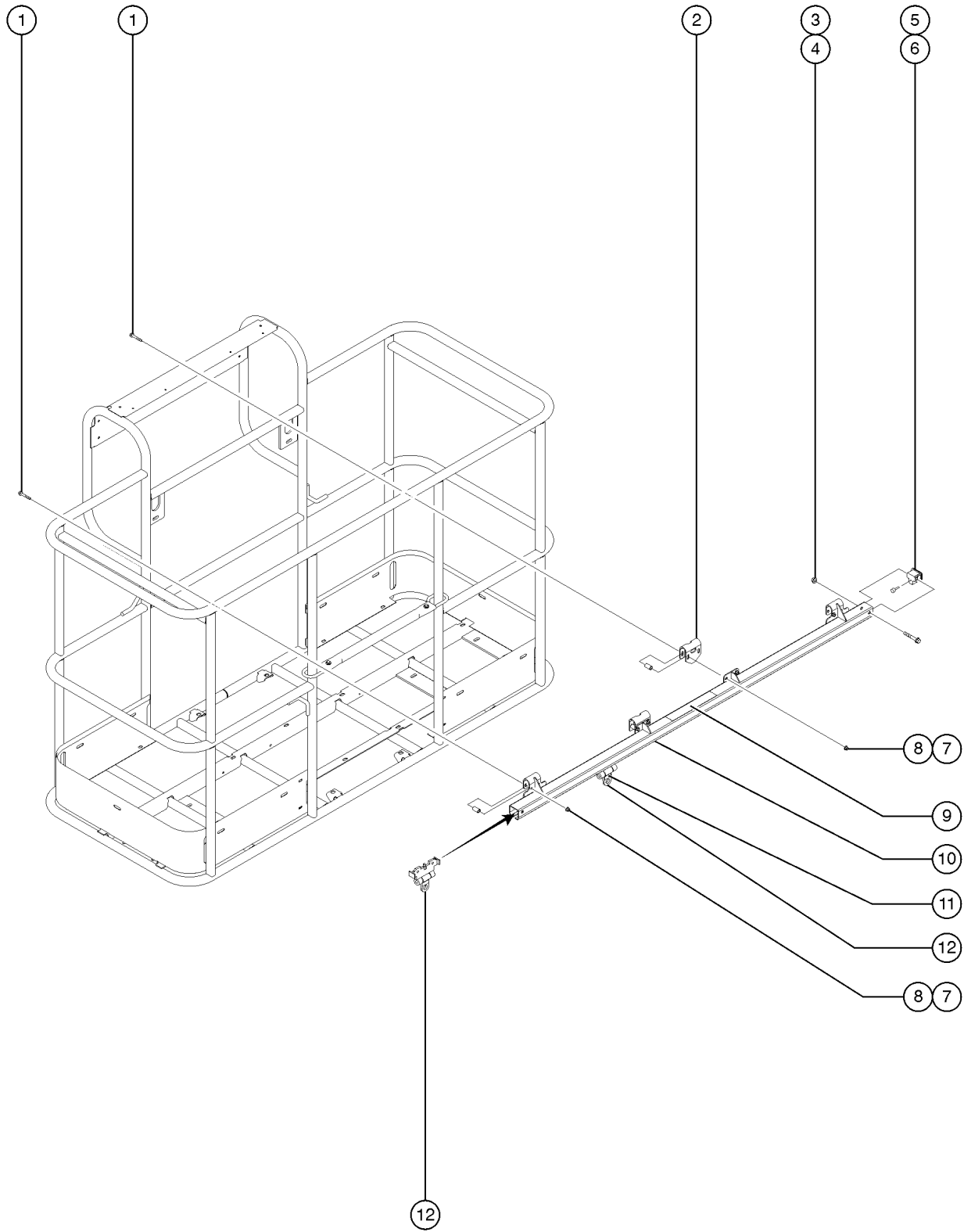
826.1 Operator Protection Structure (from SN 142)



826.1 Operator Protection Structure (from SN 142)

| Item | Part No. | Description | Qty. |
|------|-----------|---|------|
| -- | | <i>Fits all 6' and 8' Booms</i> | |
| 1 | 219158GT | ACCESSORY, OPERATOR PROT STRUCT.....1 <i>(Complete) includes all fasteners</i> | 1 |
| 2 | 1256468GT | NUT, 3/8-16, 8, ZAG.....8 | 8 |
| 3 | 1255758GT | WASHER, FLAT, 3/8, USS, ZAG.....12 | 12 |
| 4 | 824069GT | SCREW, HHC, 3/8-16X2.5, 8, ZAG.....4 | 4 |
| 5 | 1251600GT | U-BOLT, FLATTENED, 1.5 X 3/8 UNC, ZAG.....4 | 4 |
| 6 | 1261184GT | NUT, 1/4-20, 8, ZAG.....4 | 4 |
| 7 | 824120GT | WASHER, FLAT, .375X1.50X.125, ZAG.....2 <i>Use only with the platform control box cover option</i> | 2 |
| 8 | 824113GT | WASHER, FLAT, USS, 1/4, ZAG.....6 | 6 |
| 9 | 824060GT | SCREW, HHC, 1/4-20X1, 8, ZAG.....4 | 4 |
| 10 | | Ref. DECAL, INSTRUCTION, OPS.....1 <i>refer to Section 1</i> | 1 |

827.1 Fall Arrest Bar



827.1 Fall Arrest Bar

| Item | Part No. | Description | Qty. |
|------|-------------|--|------|
| 1 | 1256856GT | SCREW,HHF,3/8-16X2.5,8,ZAG..... | 4 |
| 2 | 1256389GT | FORMING,INNER HANGER..... | 2 |
| 3 | 1251997GT | NUT,TL FLG,1/2-13,G,ZAG..... | 2 |
| 4 | 1256851GT | SCREW,HHF,1/2-13X3.5,8,ZAG..... | 2 |
| 5 | 1260892GT | END STOP,TRACK,FALL ARREST BAR..... | 2 |
| 6 | 36388GT | BUMPER,RUBBER,.75 X .50H,STUD.... | 2 |
| 7 | 1274322GT | NUT,NYLOCK FLG,3/8-16,F,ZAG..... | 8 |
| 8 | 1256481GT | SPACER, HANGER BRACKET..... | 8 |
| 9A | 1256400GT | DECAL,TRACK,FALL ARREST BAR,WORD..... | 1 |
| 9B | 1260910GT | DECAL,TRACK,FALL ARREST BAR,SYMBOL..... | 1 |
| 9C | 1256400FRGT | DECAL,TRACK,FALL ARREST BAR,WORD FR..... | 1 |
| 10A | 1256377GT | ACC,FALL ARREST BAR,8FT WORD..... <i>includes instructions and decals</i> | 1 |
| -- | 1256379GT | ASSY,TRACK,FALL ARREST BAR,8FT WORD <i>includes decals</i> | |
| 10B | 1261022GT | ACC,FALL ARREST BAR,8FT SYM..... <i>includes instructions and decals</i> | 1 |
| -- | 1261024GT | ASSY,TRACK,FALL ARREST BAR,8FT SYM <i>includes decals</i> | |
| 10C | 1261018GT | ACC,FALL ARREST BAR,8FT FR..... <i>includes instructions and decals</i> | 1 |
| -- | 1261020GT | ASSY,TRACK,FALL ARREST BAR,8FT FR <i>includes decals</i> | |
| 10D | 1256378GT | ACC,FALL ARREST BAR,6FT WORD..... <i>includes instructions and decals</i> | 1 |
| -- | 1256380GT | ASSY,TRACK,FALL ARREST BAR,6FT WORD <i>includes decals</i> | |
| 10E | 1261023GT | ACC,FALL ARREST BAR,6FT SYM..... <i>includes instructions and decals</i> | 1 |
| -- | 1261025GT | ASSY,TRACK,FALL ARREST BAR,6FT SYM <i>includes decals</i> | |
| 10F | 1261019GT | ACC,FALL ARREST BAR,6FT FR..... <i>includes instructions and decals</i> | 1 |
| -- | 1261021GT | ASSY,TRACK,FALL ARREST BAR,6FT FR <i>includes decals</i> | |
| 11 | 40434GT | DECAL,LANYARD ANCHORAGE POINT..... | 1 |
| 12 | 1256439GT | TROLLEY, TRACK, FALL ARREST BAR..... | 1 |

Part Number Index

The Part Number Index is a numeric index of all part numbers included in this manual. The index shows what page(s) the part is used on.

| Part Number | Page | Part Number | Page | Part Number | Page | Part Number | Page |
|-------------|----------------------------------|---------------|---------------------------------|---------------|----------------------|---------------|-----------------------|
| 1000238GT | 17–18, 25 | 101627GT | 101 | 102346GT | 273 | 104328GT | 249 |
| 101005GT | 203 | 101628GT | 103 | 102348GT | 101 | 104804GT | 187 |
| 101005HGT | 203 | 101632GT | 293 | 102353PGT | 91 | 10597GT | 155–156, 171 |
| 101011GT | 37–38 | 101633GT | 101, 126 | 102354PGT | 87 | 10598GT | 153 |
| 101070GT | 37–38, 41 | 101634GT | 101, 126 | 102355-6650GT | 281 | 106023GT | 103 |
| 10107GT | 69–72, 143, 147, 155–156, 279 | 101635GT | 265 | 102357GT | 279 | 106024GT | 103 |
| 101118PGT | 145 | 101638GT | 101, 125–126 | 102373PGT | 265 | 106033GT | 61–62 |
| 101119PGT | 149 | 101639GT | 265 | 102399GT | 171 | 106043GT | 283 |
| 101121PGT | 149 | 101640GT | 133, 265 | 102408PGT | 283 | 106044GT | 283, 305, 307, 309 |
| 101126PGT | 147 | 101641PGT | 103 | 102409PGT | 283 | 106051GT | 91 |
| 101127PGT | 147 | 101644GT | 103 | 102433GT | 251–252 | 106077GT | 279 |
| 101128PGT | 147 | 101645GT | 103 | 102434GT | 251–252 | 106098GT | 37–38, 41, 47–48 |
| 101174GT | 203 | 101726GT | 57–58 | 102436GT | 251–252 | 106104GT | 279 |
| 101174HGT | 203 | 101727GT | 57–58, 61–62 | 102438GT | 251–252 | 106110GT | 283 |
| 101175GT | 203 | 101731PGT | 283 | 102439GT | 251–252 | 106111GT | 283 |
| 101175HGT | 203 | 101732GT | 283 | 102440GT | 251–252 | 106112GT | 283 |
| 101234GT | 37–38, 41 | 101747GT | 183–185 | 102485PGT | 261 | 106113GT | 279 |
| 101284GT | 37–38 | 101748GT | 183–185 | 102486GT | 261 | 106115GT | 279 |
| 101321GT | 113 | 101749GT | 183–185 | 102487GT | 75–76 | 106117GT | 37–38, 41 |
| 101340GT | 89, 91 | 101750GT | 183–185 | 102491GT | 37–38 | 106118GT | 37–38, 41 |
| 101373GT | 183–185 | 101751GT | 183–185 | 102492GT | 37–38 | 106122GT | 38, 53, 55 |
| 101375GT | 183–185 | 101752GT | 183–185 | 102493GT | 37–38 | 106125GT | 55 |
| 101376GT | 183–185 | 101753GT | 183–185 | 102494GT | 37–38 | 106140PGT | 279 |
| 101377GT | 183–185 | 101754GT | 183–185 | 102496GT | 211 | 106141GT | 283 |
| 101378GT | 184–185 | 101769GT | 37–38 | 102534GT | 13–14, 103 | 106154GT | 173 |
| 101379GT | 183–185 | 101770GT | 37–38 | 102535GT | 38 | 106178GT | 145 |
| 101381GT | 184–185 | 101845GT | 271 | 102536GT | 38 | 106183GT | 283 |
| 101382GT | 183–185 | 101848GT | 79, 125–126 | 102537GT | 184–185 | 106184GT | 279 |
| 101383GT | 183–185 | 101891GT | 79, 101 | 102538GT | 184–185 | 106204PGT | 283 |
| 101384GT | 184–185 | 101892GT | 79 | 102555GT | 37–38 | 106211-300GT | 133 |
| 101385GT | 183–185 | 101934GT | 227 | 102557GT | 38 | 106211-600GT | 133 |
| 101387GT | 183–185 | 101944GT | 37–38 | 102558GT | 38 | 106226GT | 108 |
| 101388GT | 183–185 | 101945GT | 37–38 | 102581GT | 125–126 | 106271PGT | 147 |
| 101390GT | 183–185 | 101964GT | 85 | 102585GT | 126 | 106274GT | 279 |
| 101391GT | 183–185 | 101971GT | 99 | 102589GT | 13–14, 125–126 | 106275GT | 283 |
| 101393GT | 183–185 | 102003PGT | 265 | 102593GT | 129 | 106357GT | 173 |
| 101394GT | 183–185 | 102010PGT | 143 | 102659GT | 57–58 | 106375GT | 279 |
| 101396GT | 183–185 | 102013PGT | 147 | 102676GT | 257 | 106394GT | 279 |
| 101405GT | 85 | 102045GT | 103, 123, 126, 129, 137, 141 | 102681GT | 273 | 106421GT | 179 |
| 101516GT | 279 | 102065PGT | 147 | 102683GT | 97 | 106477GT | 279 |
| 101525GT | 283 | 102066GT | 115 | 102685GT | 175 | 106485GT | 147 |
| 101529GT | 47–48 | 102066PGT | 149, 153 | 102710GT | 57–58 | 106486GT | 143 |
| 101530GT | 47–48 | 102073GT | 143 | 102713GT | 265 | 106487GT | 143 |
| 101531GT | 47–48 | 102074GT | 143 | 102714PGT | 265 | 106490GT | 14, 149 |
| 101533GT | 38 | 102074GT | 143 | 102717GT | 47–48 | 106491GT | 147 |
| 101534GT | 38 | 102103GT | 145 | 102719GT | 38 | 106495GT | 195–196, 199 |
| 101535GT | 85 | 102104GT | 145 | 102721PGT | 251–252 | 106535GT | 273 |
| 101537GT | 177 | 102117GT | 145, 147 | 102735GT | 233 | 106605GT | 143, 145 |
| 101538GT | 177 | 102118GT | 143 | 102746GT | 279, 285 | 106637GT | 285 |
| 101539GT | 173 | 102119GT | 147 | 102777GT | 37–38 | 106658GT | 279 |
| 101540GT | 159 | 102120GT | 147 | 102778GT | 38 | 106663GT | 111 |
| 101547PGT | 283 | 102121GT | 145, 153 | 102779PGT | 143 | 106665-2929GT | 239, 241, 243 |
| 101601GT | 101, 103 | 102134GT | 143 | 102780GT | 233 | 106740GT | 273 |
| 101602GT | 101 | 102136GT | 149 | 102781GT | 233 | 106754GT | 171 |
| 101603PGT | 101 | 102155GT | 37–38 | 102785PGT | 257 | 106755GT | 171 |
| 101604PGT | 101 | 102157GT | 37–38 | 102786PGT | 257 | 106923GT | 137 |
| 101605PGT | 101 | 102160GT | 37–38 | 102790GT | 37–38 | 107545GT | 101 |
| 101606PGT | 101 | 102169GT | 37–38 | 102794GT | 147, 149 | 107546GT | 105 |
| 101607PGT | 105 | 102170GT | 37–38 | 102855GT | 257 | 107704GT | 251–252 |
| 101608PGT | 101 | 102209PGT | 129 | 102941GT | 47–48 | 107705GT | 251–252 |
| 101609GT | 105 | 102227GT | 125–126 | 102951GT | 87 | 107706GT | 251–252 |
| 101610PGT | 101 | 102228PGT | 125–126 | 102952GT | 87 | 107707GT | 251–252 |
| 101611GT | 101 | 102237PGT | 126 | 102953GT | 87 | 107708GT | 251–252 |
| 101612PGT | 265 | 102239PGT | 125–126 | 102954GT | 87 | 107709GT | 251–252 |
| 101613GT | 13–14, 101 | 102276GT | 289 | 102969GT | 85 | 107710GT | 251–252 |
| 101614GT | 13–14, 103 | 102276PGT | 279, 285 | 102970GT | 85 | 10775GT | 275, 277, 289 |
| 101615PGT | 105 | 102307GT | 143 | 102972GT | 105 | 10777GT | 275, 277, 289 |
| 101618GT | 103 | 102309GT | 61–62, 65–66, 177 | 102973GT | 117 | 107857GT | 249 |
| 101619GT | 101 | 102312-2088GT | 281 | 102974GT | 125–126 | 107858GT | 251–252 |
| 101620PGT | 101 | 102312-2388GT | 281 | 102975GT | 139 | 107862GT | 35 |
| 101622GT | 101 | 102313-2826GT | 287 | 102976GT | 147 | 107864GT | 35 |
| 101624PGT | 105 | 102314GT | 279 | 102977GT | 143 | 108543GT | 119 |
| 101625GT | 101 | 102314GT | 279 | 102992GT | 184–185, 187 | 109802GT | 71–72, 95 |
| 101626GT | 103, 179 | 102339GT | 143 | 104030GT | 193, 195–196, 199 | 110149GT | 107–108 |
| | | 102343PGT | 159 | | | | |

Part Number Index (continued)

| Part Number | Page | Part Number | Page | Part Number | Page | Part Number | Page |
|----------------|---|----------------|----------------------|-------------|-------------------|-------------|---------------------------|
| 110180GT | 227 | 111545GT | 181 | 111870GT | 153 | 121286GT | 41 |
| 110194GT | 223 | 111628GT | 189 | 111871GT | 153 | 121287GT | 41 |
| 110196GT | 221 | 111629GT | 189 | 111872GT | 153 | 121291GT | 38, 55 |
| 110197GT | 221 | 111634GT | 143 | 111873GT | 153 | 121307GT | 41 |
| 110198GT | 285 | 111668GT | 125-126 | 111874GT | 153 | 121349GT | 48 |
| 110200GT | 207, 209, 213- 214, 217-218, 221, 223 | 111710GT | 156 | 111878GT | 21 | 121371GT | 47-48 |
| 110201GT | 223 | 111748GT | 133 | 111880GT | 153 | 121410GT | 125-126 |
| 110202GT | 221 | 111794GT | 155-156 | 111881GT | 153 | 121419GT | 131, 133, 135, 267 |
| 110220GT | 283 | 111797GT | 14, 61-62, 65-66 | 111882GT | 153 | 121420GT | 133, 135 |
| 110276-1300GT | 283 | 111799PGT | 155-156 | 111883GT | 151 | 121421GT | 267 |
| 110276-2000GT | 283 | 111800PGT | 155-156 | 111884GT | 151 | 121433GT | 137 |
| 110276-2700GT | 283 | 111801PGT | 155-156 | 111885GT | 151 | 121594GT | 151 |
| 110276-3800GT | 283 | 111802PGT | 155-156 | 111886GT | 155-156 | 121615GT | 125-126 |
| 110276-4000GT | 283 | 111803GT | 155-156 | 111887GT | 155-156 | 121688GT | 37-38, 41 |
| 110277-3500GT | 283 | 111804PGT | 155-156 | 111888GT | 151 | 121688GT | 137 |
| 110304GT | 101, 107-108, 143 | 111805GT | 155-156 | 111890GT | 151 | 121814GT | 101 |
| 110771-175R7GT | 48 | 111806GT | 155-156 | 111894GT | 151 | 121860GT | 163 |
| 110771-21163GT | 69-72 | 111807GT | 151 | 111895GT | 151 | 122011GT | 155-156 |
| 110771-214G3GT | 177 | 111808GT | 153 | 111896GT | 21 | 122019GT | 249 |
| 110771-41163GT | 69-72 | 111810GT | 155-156 | 111898GT | 153 | 122023GT | 189, 195-196 |
| 110771-41B63GT | 69-72 | 111815GT | 155-156 | 111903GT | 151 | 122037GT | 173 |
| 110771-44163GT | 173 | 111817-0400GT | 61-62 | 111905GT | 151 | 122038GT | 173 |
| 110771-61103GT | 177 | 111817-0725GT | 61-62, 65-66 | 111907GT | 155-156 | 122052GT | 125-126 |
| 110771-71168GT | 69-72 | 111817-1700GT | 61-62, 65-66 | 111910GT | 153 | 122066GT | 21 |
| 110771-714G8GT | 177 | 111817-3425GT | 61-62 | 111911GT | 155-156 | 122073GT | 251-252, 255, 307, 309 |
| 110771-71B68GT | 69-72 | 111817-3825GT | 65-66 | 111912GT | 156 | 122079GT | 184-185 |
| 110789GT | 271 | 111817-5225GT | 61-62, 65-66 | 111913GT | 153 | 122096GT | 209 |
| 110919GT | 153 | 111817-8825GT | 61-62 | 111914GT | 14, 156 | 122097GT | 217-218 |
| 111090GT | 38 | 111817-9200GT | 61-62 | 111915GT | 61-62, 65-66 | 122100GT | 285 |
| 1111407GT | 38 | 111817-9375GT | 65-66 | 111916GT | 153 | 122120GT | 209, 217-218 |
| 111155GT | 37-38 | 111818GT | 61-62, 65-66, 151 | 111917GT | 14, 151 | 122121GT | 209, 217-218 |
| 111158GT | 38 | 111820-12300GT | 61-62 | 111918GT | 151 | 122127PGT | 75-76 |
| 111218GT | 183-185 | 111822GT | 151 | 111919GT | 151 | 122128PGT | 75-76 |
| 111219GT | 183-185 | 111824GT | 151 | 111920GT | 155-156 | 122133GT | 217-218 |
| 111220GT | 183-185 | 111825GT | 151 | 111922GT | 151 | 122134GT | 209 |
| 111221GT | 183-185 | 111826GT | 151 | 111923GT | 151 | 122148GT | 217-218 |
| 111222GT | 183-185 | 111827GT | 151 | 111924GT | 151 | 122176GT | 173 |
| 111223GT | 183-185 | 111829GT | 151 | 111925GT | 151 | 122198GT | 175, 209 |
| 111224GT | 183-185 | 111830GT | 153 | 11209GT | 273 | 122200GT | 173, 175, 177 |
| 111225GT | 183-185 | 111831GT | 153 | 112119GT | 285 | 122201GT | 177 |
| 111250GT | 183-185 | 111832GT | 153 | 114166GT | 17-18, 21, 27, 29 | 122202GT | 137 |
| 111251GT | 183-185 | 111833GT | 153 | 114236GT | 21, 29 | 122231GT | 251-252, 307 |
| 111252GT | 183-185 | 111834GT | 153 | 114247GT | 31 | 122243GT | 153 |
| 111253GT | 183-185 | 111835GT | 153 | 114248GT | 33 | 122244GT | 156 |
| 111276GT | 184-185 | 111836GT | 151 | 114249GT | 27, 29 | 122245GT | 153 |
| 111294GT | 251-252 | 111837GT | 151 | 114251GT | 27 | 122246GT | 156 |
| 111295GT | 251-252 | 111838GT | 151 | 114252GT | 31 | 122255GT | 153 |
| 111296GT | 251-252 | 111839GT | 79, 151 | 114258GT | 17-18 | 122258GT | 75-76 |
| 111297GT | 251-252 | 111840GT | 151 | 114389GT | 17-18, 25 | 122260GT | 155-156 |
| 111319GT | 251-252 | 111841GT | 151 | 114390GT | 17-18, 21 | 122261GT | 155-156 |
| 111320GT | 251-252 | 111842GT | 151 | 115431GT | 103, 143 | 122278GT | 251-252 |
| 111331GT | 179 | 111843GT | 151 | 119051GT | 155-156 | 122279GT | 251-252 |
| 111353GT | 85 | 111844GT | 153 | 119056GT | 295 | 122299GT | 173 |
| 111358GT | 153 | 111845GT | 151 | 119057GT | 295 | 122300GT | 279 |
| 111359GT | 153 | 111847GT | 151 | 119065GT | 295 | 122302GT | 279 |
| 111361GT | 38 | 111848GT | 153 | 119066GT | 295 | 122325GT | 151 |
| 111362GT | 38, 53 | 111849GT | 153 | 119120GT | 177 | 122327GT | 155-156 |
| 111363GT | 38, 53, 55 | 111850GT | 153 | 119218GT | 107-108, 131 | 122343GT | 189, 196 |
| 111381GT | 285 | 111851GT | 153 | 119232GT | 153 | 122351GT | 79, 83, 195-196, 199 |
| 111402GT | 125-126 | 111852GT | 153 | 119403GT | 295 | 122362GT | 189, 196 |
| 111403GT | 38 | 111853GT | 151 | 119404GT | 87 | 122366GT | 75-76, 81 |
| 111404GT | 38 | 111854GT | 151 | 119533PGT | 273 | 122367GT | 75-76, 81 |
| 111405GT | 38 | 111855GT | 153 | 119578GT | 273 | 122388GT | 125-126 |
| 111413GT | 191 | 111856GT | 153 | 119613GT | 201, 203 | 122406GT | 75-76, 81 |
| 111414GT | 191 | 111857GT | 151 | 119620GT | 35, 43, 45 | 122461GT | 189, 196 |
| 111415GT | 201 | 111858GT | 153 | 119672GT | 271 | 122489GT | 85 |
| 111416GT | 201 | 111859GT | 151 | 119762GT | 83 | 122506GT | 221 |
| 111417GT | 201 | 111859GT | 151 | 119795GT | 257 | 122515GT | 76 |
| 111445GT | 126 | 111860GT | 151 | 119824GT | 153 | 122516GT | 75-76 |
| 111485PGT | 251-252 | 111861GT | 155-156 | 119915GT | 203 | 122519GT | 76, 191, 195-196 |
| 111486PGT | 251-252 | 111862GT | 155-156 | 119918GT | 61-62, 65-66 | 122526PGT | 155-156 |
| 111526GT | 257 | 111864GT | 153 | 119950GT | 251-252 | 122575GT | 171 |
| 111533GT | 51 | 111865GT | 153 | 119983GT | 61-62 | 122576GT | 171 |
| | | 111867GT | 151 | 121066GT | 137 | | |
| | | 111868GT | 153 | 121271GT | 41 | | |
| | | 111869GT | 153 | 121272GT | 41 | | |

Part Number Index (continued)

| Part Number | Page | Part Number | Page | Part Number | Page | Part Number | Page |
|-------------|--|-------------|----------------------|-------------|--------------------|-------------|----------|
| 122588GT | 125-126 | 1254282GT | 107-108 | 1256855GT | 187, 269 | 1268596GT | 70-72 |
| 122627GT | 21 | 1254354GT | 115 | 1256856GT | 47-48, 313 | 1268602GT | 69-72 |
| 122706GT | 231 | 1254355GT | 115 | 1256857GT | 35, 38, 43, 45, 48 | 1268832GT | 51 |
| 122755GT | 184-185 | 1254471GT | 107-108 | 1256859GT | 303 | 1268833GT | 51 |
| 122784GT | 75-76 | 1254594GT | 131 | 1257264GT | 271 | 1268GT | 13-14 |
| 122785GT | 75-76 | 1254689GT | 115 | 1257389GT | 301 | 1269052GT | 277 |
| 122786GT | 75-76 | 1254690GT | 115 | 1257733GT | 13-14 | 1269502GT | 201, 203 |
| 122792GT | 75-76 | 1254823GT | 135 | 1258567GT | 13-14 | 1269549GT | 161 |
| 122793GT | 75-76, 81 | 1254826GT | 126 | 1258641GT | 135 | 1269593GT | 35 |
| 122864GT | 21 | 1254949GT | 131 | 1258771GT | 135 | 1269604GT | 161 |
| 122865GT | 151 | 1255018GT | 301 | 1258952GT | 196, 199 | 1269641GT | 187 |
| 122867GT | 87 | 1255019GT | 301 | 1259054GT | 145, 149 | 1269693GT | 289 |
| 122878GT | 55 | 1255020GT | 301 | 1259328GT | 309 | 1270116GT | 301 |
| 122879GT | 55 | 1255021GT | 301 | 1259329GT | 309 | 1270117GT | 301 |
| 122941GT | 173 | 1255022GT | 301 | 1259661GT | 295 | 1270118GT | 301 |
| 122944GT | 179 | 1255023GT | 301 | 1259704GT | 251-252 | 1270570GT | 255 |
| 122961GT | 227 | 1255024GT | 301 | 1259708GT | 295 | 1270571GT | 255 |
| 122964GT | 227 | 1255025GT | 301 | 1259931GT | 35 | 1271077GT | 255 |
| 122994GT | 81 | 1255027GT | 301 | 1260688GT | 255 | 1271078GT | 255 |
| 123164GT | 37-38 | 1255028GT | 301 | 1260892GT | 313 | 1271652GT | 168 |
| 123167GT | 111, 133, 163 | 1255029GT | 301 | 1260910GT | 313 | 1271653GT | 168 |
| 12344GT | 75-76, 79, 81, 189, 193, 196, 199, 303 | 1255030GT | 301 | 1261018GT | 313 | 1271654GT | 168 |
| 12443GT | 184-185 | 1255033GT | 301 | 1261019GT | 313 | 1271825GT | 167-168 |
| 124962GT | 137 | 1255035GT | 301 | 1261020GT | 313 | 1271837GT | 168 |
| 1251496GT | 135 | 1255036GT | 301 | 1261021GT | 313 | 1271945GT | 301 |
| 1251498GT | 135 | 1255037GT | 301 | 1261022GT | 313 | 1272024GT | 167-168 |
| 1251498GT | 135 | 1255038GT | 301 | 1261023GT | 313 | 1272025GT | 167-168 |
| 1251542GT | 273 | 1255047GT | 301 | 1261024GT | 313 | 1272026GT | 167-168 |
| 1251600GT | 187, 269, 297, 301, 311 | 1255066GT | 301 | 1261025GT | 313 | 1272027GT | 168 |
| 1251701GT | 81 | 1255067GT | 301 | 1261184GT | 303, 311 | 1272028GT | 167-168 |
| 1251814GT | 113 | 1255068GT | 301 | 1261292GT | 309 | 1272029GT | 168 |
| 1251819GT | 113 | 1255091GT | 255 | 1261962GT | 107-108 | 1272030GT | 167-168 |
| 1251864GT | 108 | 1255092GT | 255 | 1261979GT | 107-108 | 1272031GT | 168 |
| 1251899GT | 115 | 1255094GT | 249 | 1261981GT | 107-108 | 1272032GT | 168 |
| 1251928GT | 133 | 1255389GT | 51 | 1261987GT | 69-72 | 1272033GT | 168 |
| 1251983GT | 108, 131 | 1255452GT | 43 | 1262015GT | 107-108 | 1272035GT | 168 |
| 1251994GT | 115 | 1255556GT | 301 | 1262018GT | 107-108 | 1272036GT | 168 |
| 1251997GT | 115, 165, 313 | 1255653GT | 126, 131 | 1262019GT | 107-108 | 1272037GT | 167-168 |
| 1252473GT | 107-108 | 1255758GT | 311 | 1262021GT | 107-108 | 1272038GT | 167-168 |
| 1252686GT | 113 | 1255763GT | 47-48 | 1262023GT | 107-108 | 1272039GT | 167-168 |
| 1252687GT | 135 | 1255768GT | 70-72 | 1262024GT | 107-108 | 1272041GT | 167-168 |
| 1252716GT | 25, 33 | 1255769GT | 70-72 | 1262026GT | 107-108 | 1272042GT | 167-168 |
| 1252940GT | 113 | 1255770GT | 70-72 | 1262027GT | 107-108 | 1272043GT | 167-168 |
| 1252944GT | 111 | 1255771GT | 70-72 | 1262028GT | 107-108 | 1272044GT | 167-168 |
| 1252979GT | 108 | 1255772GT | 70-72 | 1262044GT | 69-72 | 1272045GT | 167-168 |
| 1253170GT | 79, 83 | 1255773GT | 70-72 | 1262050GT | 107-108 | 1272046GT | 167-168 |
| 1253171GT | 155-156 | 1255788GT | 277 | 1262470GT | 107-108 | 1272047GT | 167-168 |
| 1253172GT | 79, 101 | 1255802GT | 48, 165 | 1262475GT | 107-108 | 1272048GT | 168 |
| 1253173GT | 125-126 | 1255889GT | 301 | 1262476GT | 107-108 | 1272049GT | 167-168 |
| 1253185GT | 107-108 | 1255890GT | 301 | 1262479GT | 107-108 | 1272050GT | 167-168 |
| 1253191GT | 108 | 1256109GT | 175 | 1262482GT | 107-108 | 1272052GT | 168 |
| 1253192GT | 107-108 | 1256182GT | 37-38, 47-48 | 1262485GT | 107-108 | 1272053GT | 168 |
| 1253193GT | 107-108 | 1256267GT | 47-48, 171, 177, 179 | 1262487GT | 13-14, 107-108 | 1272054GT | 168 |
| 1253194GT | 108 | | | 1262492GT | 107-108 | 1272055GT | 168 |
| 1253208GT | 107-108 | 1256327GT | 25 | 1262493GT | 107-108 | 1272057GT | 167-168 |
| 1253210GT | 79, 101, 155-156 | 1256328GT | 17-18 | 1262495GT | 107-108 | 1272058GT | 168 |
| 125326GT | 125-126 | 1256330GT | 17-18 | 1262499GT | 107-108 | 1272059GT | 167-168 |
| 1253304GT | 81 | 1256331GT | 25 | 1262501GT | 107-108 | 1272060GT | 167-168 |
| 1253314GT | 65-66 | 1256332GT | 17-18 | 1262502GT | 107-108 | 1272061GT | 168 |
| 1253319GT | 107-108 | 1256336GT | 33 | 1262509GT | 107-108 | 1272062GT | 167-168 |
| 1253431GT | 111 | 1256337GT | 27 | 1262596GT | 107-108 | 1272064GT | 168 |
| 1253487GT | 111 | 1256339GT | 27 | 1262597GT | 107-108 | 1272065GT | 167-168 |
| 1253489GT | 277 | 1256340GT | 33 | 1262599GT | 107-108 | 1272066GT | 167-168 |
| 1253498GT | 47-48 | 1256341GT | 27 | 1262607GT | 107-108 | 1272068GT | 167-168 |
| 1253573GT | 115 | 1256377GT | 313 | 1262608GT | 107-108 | 1272069GT | 167-168 |
| 1253574GT | 115 | 1256378GT | 313 | 1262767GT | 305, 307 | 1272070GT | 167-168 |
| 1253697GT | 69-72 | 1256379GT | 313 | 1262866GT | 13-14 | 1272071GT | 167-168 |
| 1253792GT | 69-72 | 1256380GT | 313 | 1262868GT | 131 | 1272074GT | 107-108 |
| 1253808GT | 69-72 | 1256389GT | 313 | 1264458GT | 79, 83 | 1272242GT | 18, 27 |
| 1253809GT | 69-72 | 1256400FRGT | 313 | 1264934GT | 303 | 1272303GT | 187 |
| 1253810GT | 69-72 | 1256400GT | 313 | 1265397GT | 187 | 1272304GT | 187 |
| 1253811GT | 69-72 | 1256439GT | 313 | 1267746GT | 187 | 1272307GT | 187 |
| 1254161GT | 111 | 1256468GT | 311 | 1267747GT | 187 | 1272624GT | 131 |
| 1254281GT | 108 | 1256469GT | 51 | 1267807GT | 87 | 1273154GT | 167-168 |
| | | 1256481GT | 313 | 1268229GT | 87 | 1273165GT | 167-168 |
| | | 1256851GT | 313 | 1268595GT | 69-72 | 1273916GT | 279 |

| Part Number | Page | Part Number | Page | Part Number | Page | Part Number | Page |
|-------------|-------------------------|-------------|---|-------------|--|-------------|------------------------------|
| 1274069GT | 165 | 1284618GT | 167-168 | 13003GT | 103, 123, 126, 129, 137 | 146278GT | 179 |
| 1274168GT | 303 | 1284619GT | 167-168 | | | 146284GT | 279 |
| 1274322GT | 269, 297, 303, 313 | 1284620GT | 167-168 | 13014GT | 99, 139, 149 | 146285GT | 279 |
| 1274614GT | 121 | 1284621GT | 167-168 | 13064GT | 48, 69-72, 126, 129, 131, 137 | 146325GT | 177 |
| 1274637GT | 79 | 1284622GT | 167-168 | | | 146340GT | 47-48 |
| 1274858GT | 187 | 1284623GT | 167-168 | 13066GT | 37-38, 71-72, 93, 101, 105, 119, 126, 139, 147, 153, 155-156, 249, 279 | 146358GT | 189 |
| 1274859GT | 187 | 1284624GT | 167-168 | | | 146360GT | 75-76 |
| 1274900GT | 135 | 1284625GT | 167-168 | | | 146392GT | 75-76 |
| 1275537GT | 301 | 1284626GT | 167-168 | 13097GT | 279 | 146394GT | 189 |
| 1275538GT | 301 | 1284627GT | 167-168 | 13268GT | 81, 108, 153, 163, 189, 193, 195-196, 199 | 146399GT | 271 |
| 1275539GT | 301 | 1284628GT | 168 | | | 146410GT | 43 |
| 1275540GT | 301 | 1284629GT | 168 | | | 146411GT | 43 |
| 1277873GT | 303 | 1284630GT | 167-168 | 133067GT | 27, 29 | 146413GT | 65-66 |
| 1277875GT | 303 | 1284631GT | 168 | 133163GT | 25 | 146415GT | 65-66 |
| 1277876GT | 303 | 1284632GT | 168 | 133236GT | 25 | 146417GT | 65-66 |
| 1277877GT | 303 | 1284633GT | 167-168 | 133278GT | 17-18 | 146425GT | 189, 195-196, 199 |
| 1277924GT | 269, 297, 303 | 1284634GT | 168 | 133400GT | 17-18, 21, 27, 29 | 146426GT | 79 |
| 1277952GT | 255 | 1284635GT | 168 | 133411GT | 27 | 146427GT | 79, 83 |
| 1277966GT | 255 | 1284636GT | 167-168 | 13585GT | 275, 279 | 146428GT | 79, 83 |
| 1277974GT | 131 | 1284637GT | 167-168 | 13635-4GT | 85 | 146429GT | 177 |
| 1277991GT | 143, 155-156 | 1284638GT | 167-168 | 13852GT | 179 | 146437GT | 38 |
| 1278063GT | 41 | 1284639GT | 167-168 | 139106GT | 241 | 146478GT | 76, 191, 193, 195-196, 199 |
| 1278064GT | 41 | 1284641GT | 168 | 139107GT | 235, 243 | 146494GT | 38 |
| 1278065GT | 41 | 1284642GT | 167-168 | 139181GT | 305, 307 | 146495GT | 38 |
| 1278066GT | 41 | 1284643GT | 167-168 | 13918GT | 57-58, 62, 65-66, 273, 285 | 146506GT | 189 |
| 1278067GT | 41 | 1284644GT | 167-168 | | | 146551GT | 65-66 |
| 1278068GT | 41 | 1284645GT | 167-168 | 139308GT | 70-72 | 146610GT | 173 |
| 1278111GT | 303 | 1284646GT | 168 | 139309GT | 70-72 | 147090GT | 81 |
| 1278117GT | 303 | 1284647GT | 168 | 139310GT | 70-72 | 147095GT | 75-76, 81 |
| 1278119GT | 303 | 1284648GT | 168 | 139311GT | 70-72 | 147121GT | 184-185, 187 |
| 1278121GT | 303 | 1284649GT | 168 | 139312GT | 70-72 | 147221GT | 184-185 |
| 1278124GT | 303 | 1284650GT | 168 | 139313GT | 70-72 | 147228GT | 289 |
| 1278138GT | 303 | 1284651GT | 168 | 139314GT | 70-72 | 147229GT | 289 |
| 1278144GT | 303 | 1284652GT | 168 | 139315GT | 70-72 | 147230GT | 289 |
| 1278363GT | 303 | 1284653GT | 168 | 139321GT | 126 | 147231GT | 289 |
| 1278368GT | 303 | 1284654GT | 168 | 139322GT | 125-126 | 147232GT | 289 |
| 1278416GT | 303 | 1284655GT | 168 | 139323GT | 70-72 | 147233GT | 289 |
| 1278433GT | 303 | 1284656GT | 168 | 139338GT | 191, 195-196, 199 | 147239GT | 289 |
| 1278458GT | 303 | 1284657GT | 168 | | | 14723GT | 273 |
| 1278542GT | 303 | 1284658GT | 168 | 139438GT | 251-252 | 147240GT | 289 |
| 1278714GT | 13-14 | 1284659GT | 168 | 139451GT | 184-185 | 147241GT | 289 |
| 1278982GT | 303 | 1284660GT | 168 | 139598GT | 201, 203 | 147242GT | 289 |
| 1279134GT | 303 | 1284661GT | 168 | 139612GT | 125-126 | 147258GT | 289 |
| 1279268GT | 99, 139 | 1284662GT | 168 | 139621GT | 129 | 147262GT | 289 |
| 1279467GT | 25 | 1284663GT | 168 | 139624GT | 125-126 | 147290GT | 57-58 |
| 1279764GT | 151 | 1284664GT | 168 | 139648GT | 85 | 147355GT | 113 |
| 1279765GT | 255 | 1284665GT | 168 | 139666GT | 125-126 | 147836GT | 285 |
| 128000GT | 203 | 1284666GT | 167-168 | 139709GT | 129 | 147837GT | 285 |
| 128001GT | 203 | 1284669GT | 168 | 139828GT | 41 | 147838GT | 285 |
| 128003GT | 111 | 1284670GT | 168 | 139829GT | 41 | 147839GT | 285 |
| 128004GT | 105, 129, 133, 155-156 | 1284671GT | 168 | 139882GT | 305, 307 | 1484GT | 13-14 |
| 128023GT | 105, 129, 155-156 | 1284764GT | 251-252 | 139904GT | 305, 307 | 1487GT | 251-252 |
| 128024GT | 111 | 1284785GT | 167-168 | 139952GT | 289 | 1488GT | 251-252 |
| 1280590GT | 125-126 | 1284786GT | 167-168 | 139953GT | 289 | 150129GT | 177 |
| 1280591GT | 125-126 | 1285419GT | 13-14 | 139954GT | 289 | 15086GT | 131, 143, 149 |
| 1280665GT | 87 | 128580GT | 309 | 139958GT | 251-252 | 16073GT | 153 |
| 1280819GT | 17-18 | 128588GT | 111 | 139983GT | 125-126, 129 | 161938GT | 135 |
| 128081GT | 61-62, 65-66 | 128636GT | 69-72 | 14033GT | 147, 285 | 162006GT | 279 |
| 1280820GT | 18 | 1286602GT | 55 | 14392GT | 295 | 162207GT | 137 |
| 128200GT | 191, 193, 195-196, 199 | 1286604GT | 41, 53 | 144161GT | 87, 277, 289 | 162208GT | 137 |
| 128203GT | 189, 196, 305, 307, 309 | 1286605GT | 41, 53 | 146011GT | 177 | 162209GT | 137 |
| 128274GT | 293 | 128829GT | 125-126 | 146028GT | 179 | 162269GT | 245 |
| 1282993GT | 255 | 128912GT | 131 | 146040GT | 189, 195-196, 199 | 162283GT | 131 |
| 128368GT | 251-252 | 128986GT | 113 | | | 162284GT | 131 |
| 1283776GT | 13-14 | 128987GT | 113 | 146051GT | 53, 55 | 16584GT | 93, 117, 139 |
| 1283995GT | 135 | 128991GT | 113 | 146052GT | 55 | 18189GT | 159 |
| 128416GT | 279 | 12906GT | 85 | 146057GT | 139 | 18396GT | 179 |
| 128419GT | 279 | 13000GT | 139, 289 | 146061GT | 129 | 18503GT | 139, 143, 147, 153, 155-156 |
| 128429GT | 251-252 | 13002GT | 57-58, 61-62, 65-66, 95, 99, 101, 129, 133, 143, 155-156, 279 | 146062GT | 273 | 18596GT | 103, 123, 126, 129, 137, 175 |
| 1284310GT | 277 | | | 146063GT | 173 | 18605GT | 81, 83 |
| 1284617GT | 167-168 | | | 146121GT | 175 | 18665GT | 279 |
| | | | | 146262GT | 43 | 18666GT | 151, 283 |
| | | | | 146263GT | 47-48 | | |
| | | | | 146264GT | 179 | | |

Part Number Index (continued)

| Part Number | Page | Part Number | Page | Part Number | Page | Part Number | Page |
|--------------|----------------------------|-------------|---------------------------------------|-------------|----------------------------------|--------------|---|
| 18722GT | 171 | 226213GT | 38 | 230997GT | 75-76 | 27564GT | 17-18, 21 |
| 18731GT | 171 | 226215GT | 38 | 230998GT | 75-76 | 27581GT | 13-14 |
| 19018-1100GT | 297 | 226393GT | 249 | 230999GT | 75-76 | 27584GT | 101, 105 |
| 19020GT | 289 | 226503GT | 279, 285 | 231020GT | 75-76, 81 | 27585GT | 133, 137 |
| 19274GT | 303 | 226505GT | 279 | 231023GT | 75-76, 81 | 27698GT | 35, 43, 45, 48 |
| 19358GT | 153 | 226518GT | 17-18, 25 | 231529GT | 111 | 27761GT | 211 |
| 19363GT | 61-62, 143, 151 | 226562GT | 37-38, 41 | 232975GT | 193, 195-196, 199 | 27802GT | 221 |
| 19470GT | 209, 217-218 | 22672GT | 108, 131, 143, 149 | 233110GT | 48 | 27804GT | 223 |
| 19934GT | 153, 155-156 | | | 233111GT | 43 | 27807GT | 207, 209, 213-221, 223 |
| 19969GT | 285 | 22697GT | 273 | 233112GT | 43 | | |
| 20224GT | 237, 239, 241, 243, 245 | 22699GT | 103, 105, 119, 126, 129, 133, 155-156 | 233131GT | 25, 33 | 27836GT | 205, 211, 223 |
| 20654GT | 70-72 | 22700GT | 93, 139, 143, 147, 149, 151, 273 | 233992GT | 269 | 27920GT | 149 |
| 20776GT | 279 | | | 233993GT | 269 | 28076GT | 99 |
| 20912GT | 273 | 227425GT | 279 | 23404GT | 189, 199 | 28158GT | 17-18, 27 |
| 20973GT | 184-185 | 227503GT | 177 | 235133GT | 53 | 28159GT | 17-18, 27 |
| 21019GT | 101, 131, 143 | 227504GT | 177 | 235137GT | 53, 55 | 28160GT | 17-18, 27 |
| 21121GT | 184-185 | 227618GT | 184-185, 187 | 235139GT | 53 | 28161GT | 23 |
| 21130GT | 95, 101, 123, 125-126, 173 | 227772GT | 37-38, 41 | 235140GT | 53 | 28164GT | 21 |
| 21141GT | 57-58, 61-62, 65-66 | 227773GT | 37-38, 41 | 235150GT | 53 | 28165GT | 25 |
| 21148GT | 70-72 | 227775GT | 41, 53 | 235151GT | 53 | 28174GT | 17-18, 21, 25, 27, 29, 33 |
| 214228GT | 13-14, 137 | 227776GT | 41, 55 | 235152GT | 53, 55 | 28175GT | 21 |
| 214249GT | 295 | 227779GT | 41, 48 | 235153GT | 53, 55 | 28176GT | 25 |
| 214336GT | 107-108 | 227785GT | 70-72 | 235154GT | 55 | 28177GT | 25 |
| 214393GT | 89, 91, 159 | 227804GT | 41 | 235155GT | 38 | 28181GT | 23 |
| 214536GT | 295 | 227805GT | 41 | 235162GT | 251-252 | 28235GT | 17-18, 21, 25, 27, 29, 33 |
| 21465GT | 103, 108, 111, 135 | 227806GT | 37-38 | 235346GT | 193, 195-196, 199 | | |
| 21496GT | 95, 123 | 227807GT | 37-38 | 236259GT | 137 | 28236GT | 25 |
| 215209GT | 89, 91, 159 | 22788GT | 145 | 236260GT | 13-14, 137 | 28301GT | 85 |
| 215210GT | 89, 91, 159 | 227985GT | 41 | 236449GT | 151 | 28443GT | 283 |
| 215590GT | 75-76 | 227988GT | 143, 155-156 | 236450GT | 151 | 28607GT | 103, 151 |
| 215623GT | 41, 53 | 22811GT | 38 | 236451GT | 153 | 28646GT | 70-72 |
| 21604GT | 271 | 228467GT | 184-185 | 236452GT | 153 | 28656GT | 14, 145, 149 |
| 216065GT | 115 | 228800GT | 37-38 | 236453GT | 153 | 28717GT | 149 |
| 216150GT | 111 | 228801GT | 37-38 | 236454GT | 153 | 28750GT | 13-14, 229 |
| 21618GT | 305, 307, 309 | 228805GT | 41 | 236455GT | 153 | 28853GT | 293 |
| 216611GT | 295 | 228823GT | 57-58, 61-62, 65-66 | 237068GT | 89, 91, 159 | 29290GT | 70-72 |
| 216612GT | 295 | 228848GT | 269 | 237228GT | 38 | 29436GT | 93 |
| 216615GT | 295 | 228849GT | 269 | 237238GT | 301 | 29560GT | 13-14, 126 |
| 216616GT | 295 | 228866GT | 227 | 237711GT | 295 | 29605GT | 51, 85 |
| 216617GT | 295 | 228872GT | 279 | 237730GT | 131 | 29606GT | 143, 149 |
| 216618GT | 295 | 228873GT | 279 | 237821GT | 131 | 29616GT | 143, 149 |
| 216645GT | 295 | 228878GT | 279 | 237830GT | 47-48 | 29739GT | 233 |
| 216646GT | 295 | 228881GT | 179 | 237832GT | 107-108 | 29764GT | 184-185 |
| 216660GT | 295 | 229346GT | 279 | 238119GT | 283 | 29868GT | 47-48, 57-58, 61-62, 65-66, 87, 115, 135, 137, 249, 299 |
| 216662GT | 295 | 229387GT | 193, 195-196, 199 | 238120GT | 283 | | |
| 216681GT | 295 | | | 238123GT | 295 | | |
| 216683GT | 295 | 229398GT | 35, 41, 45 | 24038GT | 101, 107-108, 131, 143, 149 | 30080GT | 25 |
| 218155GT | 76 | 229405GT | 227 | 24514GT | 184-185, 187 | 30138GT | 175, 177 |
| 218169GT | 76 | 229406GT | 227 | 25368GT | 101, 153 | 30143GT | 159 |
| 218697GT | 171 | 229407GT | 227 | 25388GT | 87 | 30144GT | 159 |
| 218715GT | 135 | 229410GT | 227 | 25548GT | 147 | 30186GT | 171 |
| 219158GT | 311 | 229411GT | 227 | 25685GT | 271 | 30199GT | 35, 43, 45 |
| 21935GT | 221, 223 | 229424GT | 61-62 | 25817GT | 35, 43, 45 | 30222GT | 179 |
| 219419GT | 75-76 | 229425GT | 249 | 25926GT | 85, 147, 151 | 30255GT | 175 |
| 219420GT | 81 | 229426GT | 249 | 25929GT | 149 | 30370GT | 179 |
| 219422GT | 189, 195-196, 199 | 229567GT | 87, 189, 193, 195-196, 199 | 25969GT | 131, 133, 135 | 30468GT | 257 |
| 219437GT | 139, 147 | 229925GT | 283 | 25994GT | 17-18 | 30469GT | 177 |
| 21982GT | 75-76 | 229986GT | 133, 135 | 27034GT | 105, 111, 151 | 30489GT | 125-126, 129, 133, 263 |
| 220254GT | 38 | 23057GT | 93, 101, 103, 147 | 27051GT | 209, 217-218 | 30490GT | 125-126 |
| 22558GT | 126, 129, 151, 273 | 230820GT | 107-108 | 27067GT | 37-38 | 30734GT | 43 |
| | | 23083-SGT | 249 | 27082GT | 95, 101 | 30785-1000GT | 123 |
| 22571GT | 103 | 230974GT | 225 | 27089GT | 103, 125-126 | 30785-450GT | 173 |
| 22578GT | 125-126, 147 | 230980GT | 45 | 27204GT | 21, 29 | 30794GT | 87 |
| 226060GT | 101 | 230981GT | 45 | 27205GT | 17-18, 27 | 30810GT | 95, 139, 145, 151 |
| 226061GT | 101 | 230982GT | 45 | 27206GT | 17-18, 21, 27, 29 | 30895GT | 70-72 |
| 226103GT | 129 | 230983GT | 227 | 27207GT | 17-18, 21, 27, 29 | 30971GT | 101, 103, 111, 129, 133, 141, 161, 263, 265, 267 |
| 226104GT | 129 | 230986GT | 17-18, 27 | 27246GT | 189, 193, 195-196, 305, 307, 309 | | |
| 226105GT | 129 | 230987GT | 17-18, 27 | | | 27377GT | 85 |
| 226106GT | 129 | 230989GT | 47-48 | 27391GT | 251-252, 305, 307, 309 | 30973GT | 57-58, 61-62, 65-66, 85, 159, 165, 249 |
| 226127GT | 101 | 230992GT | 47-48 | | | | |
| 226128GT | 101 | 230996GT | 75-76 | 27535GT | 285 | | |

Part Number Index (continued)

| Part Number | Page | Part Number | Page | Part Number | Page | Part Number | Page |
|--------------|-----------------|-------------|-----------------|-----------------|----------------|----------------|----------------|
| 30997GT | 81, 196, 199 | 35956GT | 251-252, 255 | | 133, 135, 137, | 49117-15791GT | 243 |
| 31060GT | 21, 23 | 35960GT | 249, 251-252 | | 141, 143, 147, | 49117-2891GT | 247 |
| 31102GT | 221 | 36207GT | 171 | | 149, 153, 155- | 49117-4491GT | 237, 239, 241, |
| 31523GT | 263 | 36208GT | 135, 263 | | 156, 159, 173, | | 243 |
| 31529GT | 285 | 36294GT | 279 | | 175, 179, 184- | 49117-5691GT | 237, 239, 241, |
| 31779GT | 13-14 | 36388GT | 257, 313 | | 185, 265, 271, | | 243 |
| 31788GT | 21 | 36648GT | 177 | | 273, 275, 279, | 49117-9091GT | 239 |
| 31817GT | 103, 151 | 36928GT | 285 | | 283, 285, 305, | 49117-9291GT | 237, 239 |
| 32064GT | 143 | 37002GT | 93 | | 307 | 49117-9791GT | 243 |
| 32150GT | 13-14 | 37003GT | 105, 129, 149 | 48425GT | 131, 156, 165 | 49117-9819GT | 291 |
| 32151GT | 13-14 | 37187GT | 57-58 | 48640GT | 221, 231 | 49119-10078GT | 235 |
| 32339GT | 147 | 37191GT | 57-58 | 48641GT | 221, 223 | 49119-10388GT | 247 |
| 32732GT | 285 | 37505GT | 99, 151 | 48880GT | 237, 239, 241, | 49119-14478GT | 241 |
| 32735GT | 285 | 38149GT | 17-18 | | 243, 245 | 49119-15178GT | 241, 243 |
| 32736GT | 285 | 38620GT | 173, 175 | 48883GT | 221 | 49119-15678GT | 243 |
| 32975GT | 221 | 38922GT | 103, 143, 155- | 48887GT | 70-72 | 49119-2678GT | 235, 237, 239, |
| 33024GT | 93, 105, 129, | | 156 | 48904GT | 235, 247, 287 | | 241, 243 |
| | 155-156 | 39479GT | 149, 153, 279, | 48905GT | 235, 237, 239, | 49119-2878GT | 235 |
| 33277GT | 101, 103, 135, | | 285, 289 | | 241, 243, 245, | 49119-2978-SGT | 235 |
| | 147, 149, 153, | 39882GT | 71-72, 221 | | 247 | 49119-3378GT | 235 |
| | 265 | 40434GT | 25, 33, 313 | 48907GT | 247 | 49119-3878GT | 235 |
| 33278GT | 71-72 | 40766GT | 137 | 48908GT | 237, 239, 241, | 49119-4178GT | 237 |
| 33361GT | 141, 145 | 41468GT | 103 | | 243, 247 | 49119-4278GT | 247 |
| 33418GT | 99, 103, 123, | 41489GT | 70-72 | 48911GT | 235 | 49119-42878GT | 247 |
| | 126, 129, 137, | 42079GT | 175 | 48912GT | 237, 239, 241, | 49119-4578GT | 237, 239, 241, |
| | 141 | 42229GT | 85 | | 243, 245, 247 | | 243 |
| 33428GT | 47-48, 171, 179 | 42280GT | 151, 153 | 48913GT | 247 | 49119-4778GT | 239, 241, 243 |
| 33441GT | 38, 53, 55 | 42288GT | 195-196, 199 | 48915GT | 245, 247 | 49119-5378GT | 243 |
| 33555GT | 85 | 4266GT | 251-252 | 48916GT | 235, 245, 247 | 49119-5678GT | 237, 239, 241, |
| 33568GT | 285 | 42941GT | 103 | 48920GT | 245, 247 | | 243 |
| 33576GT | 184-185 | 43018GT | 47-48, 179, 229 | 48930GT | 235, 239, 247 | 49119-5978GT | 241 |
| 33607GT | 279 | 43392GT | 187, 251-252, | 48932GT | 245, 287 | 49119-6678GT | 247 |
| 33608GT | 279 | | 257, 301 | 48933GT | 237, 239, 241, | 49119-9178GT | 241 |
| 33674GT | 251-252 | 43595GT | 17-18, 21 | | 243, 245, 247, | 49119-9278GT | 235 |
| 33681GT | 173 | 43596GT | 205 | | 281 | 49119-9678GT | 243 |
| 33724GT | 275 | 43960GT | 173, 177, 179 | 48935GT | 281, 291 | 49119-9778GT | 247 |
| 33952GT | 25 | 44064GT | 93, 103, 105, | 48936GT | 287 | 49119-9878GT | 235 |
| 33957GT | 14, 149 | | 119, 129, 139, | 48939GT | 287 | 49128-11209GT | 247 |
| 33960GT | 143, 147 | | 143, 149 | 48941GT | 291 | 49128-1409GT | 247 |
| 33963GT | 149 | 44174GT | 227 | 48946GT | 245, 287 | 49128-16509GT | 247 |
| 33964GT | 149 | 44225GT | 227 | 48947GT | 245 | 49128-5409GT | 245 |
| 33966GT | 149 | 44227GT | 227 | 48948GT | 239, 241, 243, | 49130-2582GT | 235 |
| 33970GT | 147, 149 | 44228GT | 227 | | 245 | 49130-3882GT | 245 |
| 33972GT | 149 | 44669GT | 117 | 48958GT | 281 | 49130-41082GT | 247 |
| 33990GT | 55 | 44743GT | 184-185 | 48959GT | 245, 287 | 49130-41882GT | 247 |
| 33994GT | 13-14, 229 | 44981GT | 17-18, 25, 27, | 48960GT | 235, 237, 239, | 49130-79482GT | 247 |
| 34052GT | 65-66, 89, 91 | | 33, 277 | | 241, 243, 245, | 49130-9782GT | 247 |
| 34053GT | 65-66 | 44986GT | 25 | | 281, 287, 291 | 49141-1763GT | 245 |
| 34058GT | 97, 103 | 45363GT | 57-58, 61-62, | 48963GT | 235, 237, 239, | 49141-4463GT | 245 |
| 34125GT | 173 | | 65-66 | | 241, 243, 245, | 49141-5163GT | 245 |
| 34162-2300GT | 95 | 45383GT | 81 | | 281 | 49141-8963GT | 243 |
| 34162-300GT | 101 | 45400GT | 273 | 48964GT | 281, 287, 291 | 49141-9063GT | 243 |
| 34162-400GT | 145 | 45435GT | 111, 131, 143, | 48978GT | 245, 281 | 49141-9463GT | 243 |
| 34164GT | 95, 103, 141, | | 145, 153, 155- | 48984GT | 245 | 49143-11229GT | 281 |
| | 155-156, 161 | | 156, 161, 263 | 48996GT | 245 | 49143-16529GT | 247 |
| 34344GT | 159, 165 | 45454GT | 93, 163, 277 | 48998GT | 237, 239, 241, | 49143-2429GT | 287 |
| 34346GT | 171 | 45470GT | 111, 271, 289 | | 243, 245 | 49143-2629GT | 245 |
| 34533GT | 263 | 45483GT | 71-72 | 49000GT | 57-58, 61-62, | 49143-4829GT | 245 |
| 34550GT | 71-72, 85, 171 | 45495GT | 69-72 | | 65-66, 299 | 49143-5429GT | 237, 239 |
| 34619GT | 271 | 45708GT | 159 | 49109-5229GT | 239, 241, 243 | 49143-5629GT | 241, 243 |
| 34626GT | 35 | 45748GT | 271 | 49110-14592GT | 239, 241, 243 | 49143-8929GT | 241 |
| 34627GT | 35 | 45782GT | 125-126, 285 | 49110-8592GT | 239, 241, 243 | 49143-9429GT | 241 |
| 34628GT | 35 | 45912GT | 223 | 49116-10337GT | 241 | 49149-2026GT | 245 |
| 34767GT | 51 | 45914GT | 221, 223, 285 | 49116-14237GT | 239 | 49149-4126GT | 245 |
| 34955GT | 263, 265 | 45921GT | 221, 223 | 49116-15237GT | 239 | 49149-5026GT | 245 |
| 35067-1900GT | 141 | 46131GT | 137 | 49116-15837GT | 241 | 49150-8430GT | 245 |
| 35067-200GT | 141 | 46188GT | 307, 309 | 49116-4837GT | 245 | 49151-2248GT | 235, 237, 239, |
| 35067-950GT | 141 | 46216GT | 227 | 49116-5037GT | 245 | | 241, 243 |
| 35432GT | 263 | 46468GT | 25 | 49116-5437GT | 245 | 49151-3548GT | 245 |
| 35434GT | 101, 103, 107- | 47363GT | 283 | 49116-8637GT | 237, 239 | 49159-5918GT | 245 |
| | 108, 111, 131, | 47376GT | 171 | 49116-9537GT | 241 | 49164-1543GT | 287 |
| | 133, 143, 147, | 47377GT | 179 | 49117-12791-SGT | 247 | 49180-8016GT | 239 |
| | 155-156, 263 | 4828GT | 57-58, 61-62, | 49117-1388GT | 247 | 49180-8616GT | 237, 239 |
| 35461GT | 189, 199, 283 | | 65-66, 72, 87, | 49117-14191GT | 239 | 49180-9316GT | 237, 239 |
| 35610GT | 293 | | 101, 103, 105, | 49117-14391GT | 243 | 49183-1988GT | 247 |
| 35675GT | 159 | | 125-126, 129, | 49117-15191GT | 239 | 49183-2729GT | 287 |

Part Number Index (continued)

| Part Number | Page | Part Number | Page | Part Number | Page | Part Number | Page |
|---------------|-------------------|--------------|-------------------|-------------|------------------|--------------|-------------------|
| 49183-41892GT | 247 | 52723GT | 211 | 56912GT | 47-48, 57-58, | 60512GT | 189, 195-196, |
| 49183-42892GT | 247 | 52726GT | 205, 211 | | 61-62, 65-66, | | 199 |
| 49183-44392GT | 247 | 52768GT | 57-58, 61-62, | | 87, 101, 105, | 60513GT | 79, 189, 195- |
| 49183-5092GT | 241 | | 65-66 | | 111, 184-185, | | 196, 199 |
| 49183-5629GT | 241 | 52865GT | 17-18 | | 187, 275 | 60526GT | 83 |
| 49183-8792GT | 245 | 52866GT | 95, 103, 111, | 56934GT | 269 | 60527GT | 79 |
| 49183-9792GT | 247 | | 139, 155-156, | 57075GT | 275, 289 | 60536GT | 13-14, 89, 91 |
| 49212GT | 277 | | 161 | 57201GT | 184-185 | 60555GT | 35, 43, 45 |
| 49213GT | 117 | 52907GT | 227 | 58222GT | 87 | 60559GT | 57-58, 61-62, |
| 49214GT | 277 | 52943GT | 205, 207, 209, | 58223GT | 87 | | 65-66 |
| 49215GT | 277 | | 211, 213-214, | 58237GT | 55 | 60561GT | 117, 125-126 |
| 49375GT | 151 | | 217-218, 221, | 58247GT | 143, 155-156 | 60575PGT | 69-72 |
| 49376GT | 151 | | 223, 231 | 58249GT | 125-126 | 60585GT | 101, 107-108 |
| 49379GT | 265 | 52966GT | 17-18, 27 | 58250GT | 103 | 60609GT | 35 |
| 49381GT | 97, 101, 141, 273 | 52967GT | 17-18, 27 | 58256GT | 125-126 | 60618GT | 35, 38, 41 |
| 49384GT | 99 | 53189GT | 257 | 58280GT | 37-38 | 60707GT | 273 |
| 49388GT | 105 | 53386GT | 173 | 58284GT | 38 | 60738GT | 275 |
| 49398GT | 151 | 53387GT | 48 | 58290GT | 233 | 60739GT | 275 |
| 49401GT | 135 | 53538GT | 237 | 58299GT | 126 | 60746GT | 35 |
| 49407GT | 125-126, 147, | 53605GT | 299 | 58304GT | 70-72 | 60747GT | 35, 38, 41 |
| | 151 | 5365GT | 125-126, 271 | 58312GT | 273 | 60790GT | 273 |
| 49408GT | 97, 143, 147, 149 | 53807-SGT | 251-252 | 58370GT | 139 | 60838GT | 155-156 |
| 49410GT | 101, 105, 123, | 53808-SGT | 251-252 | 58386GT | 167-168 | 6083GT | 273 |
| | 133, 137, 141, | 53821PGT | 143 | 58387GT | 71-72 | 60840GT | 177 |
| | 273 | 53909GT | 99, 141 | 58402GT | 285 | 60857GT | 13-14, 87 |
| 49411GT | 126, 129, 273 | 53945GT | 95 | 58412GT | 139, 167-168 | 60868GT | 123 |
| 49418GT | 237, 239, 241, | 53948GT | 95 | 58415GT | 95, 103, 111, | 60886PGT | 277 |
| | 243 | 53951GT | 95 | | 139, 155-156, | 60890GT | 57-58, 61-62, |
| 49612GT | 13-14, 225, 229, | 53952GT | 95, 103, 111, | | 161 | | 65-66 |
| | 235, 237, 239, | | 139, 143, 155- | 58566GT | 119 | 60891GT | 275 |
| | 241, 243, 245 | | 156, 161 | 58596GT | 70-72 | 6090GT | 85, 91, 95, 99, |
| 49613GT | 225, 229, 235, | 53976GT | 285 | 58597GT | 71-72 | | 101, 105, 123, |
| | 237, 239, 241, | 5397GT | 47-48, 57-58, | 58627GT | 81 | | 139, 143, 145, |
| | 243, 245, 247 | | 61-62, 65-66, | 58630GT | 125-126 | | 155-156, 179, |
| 49816GT | 85, 89, 91, 137, | | 85, 87, 91, 93, | 58944GT | 285 | | 184-185, 187, |
| | 275 | | 95, 99, 101, 103, | 58954GT | 285 | | 195-196, 199, |
| 49817GT | 35, 143, 173 | | 105, 125-126, | 58967GT | 14, 147 | | 251-252, 259, |
| 49819GT | 38, 41, 48 | | 129, 133, 139, | 58999GT | 55 | | 261, 279, 297, |
| 49820GT | 79, 189 | | 143, 153, 155- | 59370GT | 35, 43, 45 | | 305, 307 |
| 49821GT | 115 | | 156, 159, 179, | 59579GT | 151 | 6091GT | 57-58, 61-62, |
| 49826GT | 65-66, 275 | | 184-185, 187, | 59746GT | 123 | | 65-66, 85, 91, |
| 49857GT | 184-185 | | 265, 269, 273, | 6002GT | 85 | | 99, 101, 105, |
| 49861GT | 291 | | 279, 283, 285, | 60036GT | 141 | | 117, 133, 135, |
| 49863GT | 279 | | 289, 305, 307 | 60042-SGT | 183-185 | | 137, 139, 141, |
| 49881GT | 149 | 53982GT | 293 | 60143-SGT | 299 | | 143, 147, 153, |
| 49898GT | 143 | 53999GT | 71-72 | 60160PGT | 184-185 | | 155-156, 159, |
| 49915GT | 129 | 54065GT | 171 | 6019GT | 47-48, 57-58, | | 181, 184-185, |
| 49922GT | 126 | 54085-9018GT | 287 | | 61-62, 65-66, | | 187, 251-252, |
| 49924GT | 13-14, 126, 131 | 54205GT | 103 | | 87, 129, 133, | | 265, 271, 289, |
| 50035GT | 70-72 | 54247-SGT | 184-185 | | 135, 147, 153, | | 297, 305, 307, |
| 50154GT | 47-48 | 54365GT | 189, 196, 199 | | 155-156, 159, | | 309 |
| 50161GT | 57-58, 61-62, | 54457GT | 297 | | 175, 184-185, | 60930GT | 159 |
| | 65-66 | 54458GT | 297 | | 265 | 60936PGT | 57-58, 61-62, |
| 50245GT | 173, 175, 177 | 54465GT | 297 | 6021GT | 35, 38, 43, 45, | | 65-66 |
| 50787-SGT | 125-126 | 54486GT | 257 | | 48, 69-72, 85, | 6095GT | 47-48, 58, 62, |
| 50813GT | 179 | 54598PGT | 143 | | 87, 139, 143, | | 66, 72, 145, 149, |
| 50948GT | 143 | 54723GT | 85 | | 153, 155-156, | | 285, 289 |
| 51063GT | 271 | 54813GT | 139 | | 159, 171, 175, | 6096GT | 155-156 |
| 51144GT | 45 | 54862GT | 143 | | 179, 249, 273, | 6097GT | 43, 45, 57-58, |
| 51428GT | 85 | 55017GT | 151 | | 299 | | 61-62, 65-66, |
| 52076GT | 143 | 55306GT | 137 | 6022GT | 273 | | 87, 93, 101, 105, |
| 52078GT | 149 | 55753GT | 187, 251-252, | 60239GT | 175 | | 133, 135, 137, |
| 52085GT | 285 | | 255, 297, 305, | 6024GT | 99, 103, 123, | | 141, 143, 145, |
| 52179GT | 14, 57-58 | | 307, 309 | | 126, 129, 131, | | 147, 149, 153, |
| 5224GT | 47-48, 57-58, | 55906GT | 83 | | 137, 141 | | 155-156, 173, |
| | 61-62, 85, 153, | 56237GT | 279 | 60304GT | 173, 177 | | 175, 177, 271, |
| | 155-156 | 56306GT | 115, 189 | 60334GT | 87 | | 273, 275, 279, |
| 52352GT | 126 | 56424GT | 184-185, 187, | 6033GT | 47-48, 171, 177, | | 285, 299 |
| 52371GT | 227 | | 255, 269, 297 | | 179 | 61070-7450GT | 291 |
| 52537GT | 123 | 56426-700GT | 305, 307, 309 | 6035GT | 103, 123 | 61073-3130GT | 245 |
| 52570GT | 149 | 56525GT | 297 | 6036GT | 251-252 | 61073-3530GT | 291 |
| 52575GT | 149 | 56570GT | 297 | 6037GT | 249 | 61073-8930GT | 245, 287, 291 |
| 52580GT | 14, 149 | 56660GT | 95 | 60440GT | 35 | 61078GT | 119 |
| 52615GT | 207, 213-214 | 56689GT | 103 | 60441GT | 35 | 61080GT | 247 |
| 52661GT | 251-252 | 56704GT | 249 | 60508GT | 57-58, 61-62, | 61083GT | 245 |
| 52714GT | 221 | | | | 65-66 | 61110GT | 119, 126, 133 |

Part Number Index (continued)

| Part Number | Page | Part Number | Page | Part Number | Page | Part Number | Page |
|-------------|---|-------------|--|-------------|--|-------------|---|
| 61113GT | 273 | 62355GT | 225 | 65473GT | 99, 101, 107-108, 139 | 66816GT | 75-76, 81 |
| 61114GT | 273 | 62356GT | 225 | 65487GT | 93 | 66817GT | 81, 193, 195-196, 199 |
| 61128GT | 70-72 | 62357GT | 225 | 65488GT | 97 | 66818GT | 75-76, 81, 191 |
| 61189GT | 87, 159 | 62359GT | 225 | 65490GT | 97 | 66821GT | 75-76, 81, 191 |
| 61225GT | 89, 91, 153 | 62360GT | 225 | 65491GT | 97 | 6700GT | 81 |
| 61234GT | 57-58 | 62361GT | 225 | 65492GT | 97 | 67349GT | 97 |
| 61240GT | 57-58, 61-62 | 62362GT | 225 | 65493GT | 97 | 67537GT | 147 |
| 61259GT | 247 | 62364GT | 225 | 65494GT | 97 | 67723GT | 151 |
| 61263GT | 245 | 62372GT | 223 | 65495GT | 93 | 6782GT | 57-58, 61-62, 65-66, 85, 93, 95, 101, 129, 133, 139, 143, 147, 155-156, 249, 273, 279, 283, 289 |
| 61268GT | 247 | 62374GT | 75-76, 81 | 65496GT | 97 | 6833GT | 147, 195-196, 199, 305, 307, 309 |
| 6126GT | 70-72 | 62375GT | 75-76, 81 | 65497GT | 95 | 6878GT | 181, 259 |
| 61270GT | 117 | 62379GT | 75-76, 81, 189, 195-196, 199 | 65498GT | 95 | 6886GT | 57-58, 61-62, 65-66, 70-72, 93 |
| 61273GT | 117 | 62392GT | 201, 203 | 65499GT | 93 | 6888GT | 57-58, 61-62, 65-66, 81, 85, 87, 95, 99, 101, 105, 141, 147, 153, 155-156, 159, 184-185, 187, 257, 265, 275, 289, 305, 307, 309 |
| 61283GT | 47-48 | 62399GT | 189 | 65500GT | 95 | 6889GT | 99, 123, 251-252, 257, 259, 261, 279, 307 |
| 61321GT | 247 | 62412GT | 57-58 | 65501GT | 95 | 6935GT | 87, 279, 289 |
| 61326GT | 13-14, 57-58, 61-62, 65-66 | 62413GT | 57-58 | 65503GT | 93, 141 | 69873GT | 205, 211, 223 |
| 61341GT | 171 | 62414GT | 57-58 | 65504GT | 93 | 70219GT | 249 |
| 61352GT | 245 | 62417GT | 179 | 65505GT | 97 | 70221GT | 273 |
| 61413GT | 57-58, 61-62, 65-66 | 62420GT | 13-14, 95, 103, 111, 139, 155-156, 161 | 65506GT | 97 | 70227GT | 265 |
| 61415GT | 85 | 62421GT | 13-14, 95, 111 | 65507GT | 97 | 70228GT | 265 |
| 61428GT | 171 | 62422GT | 13-14, 95 | 6550GT | 283 | 70241GT | 211 |
| 61429GT | 175 | 62423GT | 13-14, 97 | 65516GT | 71-72 | 70247GT | 205 |
| 61430GT | 179 | 62425GT | 13-14, 117, 125-126, 133 | 65618GT | 71-72 | 70249GT | 233 |
| 61431GT | 179 | 62430GT | 13-14, 119 | 65620GT | 13-14, 139, 167-168 | 70257GT | 161 |
| 6145GT | 179, 251-252 | 62431GT | 13-14, 121 | 65621GT | 13-14, 139, 141 | 70353GT | 265 |
| 6146GT | 57-58, 61-62, 65-66, 131, 137, 143, 196, 199, 249, 271, 295 | 62432GT | 121 | 65622GT | 13-14, 139, 167-168 | 70367GT | 103, 107-108, 143 |
| 6147GT | 249 | 62433GT | 13-14, 111 | 65623GT | 14, 139, 167-168 | 70381GT | 129, 133 |
| 61541GT | 173 | 62442GT | 225 | 65624GT | 139, 167-168 | 70385GT | 108 |
| 61563PGT | 173 | 62443GT | 225 | 65625GT | 139, 167-168 | 70389GT | 273 |
| 61602GT | 179 | 62449GT | 175 | 65626GT | 14, 57-58, 139 | 70398PGT | 273 |
| 61726GT | 271 | 62476GT | 129, 133 | 65627GT | 14, 139, 143 | 70399PGT | 273 |
| 61741GT | 143, 153, 155-156 | 62506GT | 229 | 65630GT | 297 | 70420GT | 145 |
| 6175GT | 57-58, 61-62, 65-66, 69-72, 87, 93, 99, 125-126, 139, 143, 145, 149, 155-156, 159, 171, 177, 179, 249 | 62507GT | 229 | 65636GT | 113 | 70423PGT | 149 |
| 61771GT | 179 | 6272GT | 75-76, 81 | 65638GT | 113 | 70425PGT | 145 |
| 61774-SGT | 179 | 62822GT | 115 | 65770GT | 143, 149 | 70444GT | 101, 126 |
| 61776GT | 179 | 63313GT | 93 | 65810GT | 95, 103, 111, 139, 155-156, 161 | 70445GT | 129 |
| 61781GT | 105, 139 | 63326PGT | 93 | 65846GT | 55 | 70448PGT | 126 |
| 6178GT | 48, 57-58, 61-62, 65-66, 85, 89, 91, 115, 137, 143, 173, 177, 189, 196, 199, 249, 275 | 63362PGT | 99 | 6584GT | 125-126 | 70449GT | 101, 126 |
| 61972GT | 271 | 63364PGT | 99 | 65853GT | 95, 117 | 70452GT | 115, 149, 153, 165 |
| 61974GT | 271 | 63375GT | 277 | 65892GT | 147 | 70454PGT | 129 |
| 61975GT | 271 | 63399PGT | 95 | 6595GT | 87, 277, 289 | 70455PGT | 126 |
| 6198GT | 58, 62, 66, 145, 149, 153, 155-156, 279, 285, 289 | 63413GT | 99 | 6605GT | 71-72 | 70456GT | 129 |
| 61997GT | 271 | 63414GT | 99 | 6607GT | 38, 41, 48, 153 | 70465GT | 126, 161 |
| 62252GT | 211 | 63418GT | 99 | 6637GT | 85, 133, 137, 145, 155-156 | 70478PGT | 126 |
| 62253GT | 211 | 63419GT | 99 | 6638GT | 57-58, 61-62, 65-66, 70-72, 76, 81, 85, 87, 93, 95, 99, 101, 105, 117, 123, 125-126, 133, 135, 137, 139, 141, 143, 145, 147, 153, 155-156, 159, 179, 184-185, 189, 195-196, 199, 251-252, 257, 259, 261, 265, 269, 271, 289, 297, 305, 307 | 70479PGT | 125-126 |
| 62254GT | 221, 223 | 63426GT | 117 | 66811GT | 76 | 70483GT | 105, 129 |
| 62255GT | 223 | 63462GT | 99, 139 | 66812GT | 76, 81, 191, 193, 195-196, 199 | 70484GT | 273 |
| 62263GT | 205 | 63463GT | 95, 103, 111, 139, 155-156, 161 | 66813GT | 193, 195-196, 199 | 70489GT | 143 |
| 62273GT | 205, 223 | 63464PGT | 93, 119 | 66815GT | 199 | 70492PGT | 143 |
| 62274GT | 223 | 6356GT | 35, 38, 41, 47-48, 57-58, 62, 65-66, 76, 81, 85, 87, 99, 123, 179, 181, 184-185, 189, 195-196, 199, 252, 275 | | | 70510GT | 265 |
| 62275GT | 221, 223 | 63766GT | 184-185 | | | 70514GT | 265 |
| 62276GT | 223 | 63771PGT | 257 | | | 70525GT | 143 |
| 62278GT | 141 | 63772GT | 257 | | | 70527GT | 147 |
| 62324GT | 227 | 63773GT | 257 | | | 70535GT | 137 |
| 62341GT | 227 | 64066GT | 167-168 | | | | |
| 62354GT | 225 | 64079GT | 149 | | | | |
| | | 65269GT | 17-18, 25 | | | | |
| | | 65278GT | 17-18, 21, 27, 29 | | | | |
| | | 65355GT | 97 | | | | |
| | | 65453GT | 147 | | | | |
| | | 65454GT | 149 | | | | |
| | | 65456GT | 149 | | | | |

Part Number Index (continued)

| Part Number | Page | Part Number | Page | Part Number | Page | Part Number | Page |
|--------------|---|--------------|--------------------------|-------------|----------------------------|-------------|------------------------------|
| 7056GT | 87, 275, 277, 289 | 75143GT | 201 | 75636GT | 305, 307, 309 | 77840GT | 183-185 |
| 7057GT | 279, 289 | 75154GT | 139 | 75640GT | 103 | 77844GT | 184-185 |
| 71259GT | 57-58, 62, 65-66 | 75185GT | 143, 147, 255 | 75719GT | 159 | 77847GT | 139, 141 |
| 71909GT | 147 | 75253GT | 57-58, 61-62, 65-66, 245 | 75854GT | 57-58, 62, 66 | 77848GT | 141 |
| 71911GT | 101, 126, 129, 131, 145, 155-156, 265 | 75254GT | 245 | 75855GT | 57-58, 62, 66 | 77849GT | 141 |
| 72043GT | 205, 207, 209, 211, 213-214, 217-218 | 75256GT | 245 | 77014GT | 171 | 77851GT | 251-252 |
| 72047GT | 207, 209, 213-214, 217-218, 223 | 75257GT | 57-58, 61-62, 65-66, 245 | 77048GT | 191 | 77853GT | 299 |
| 72053GT | 21 | 75289GT | 179 | 7713GT | 99, 184-185 | 77896GT | 173 |
| 72168GT | 21 | 75359GT | 117 | 77170GT | 143 | 77951GT | 173 |
| 72169GT | 21 | 75360GT | 117 | 77181GT | 155-156 | 77952GT | 173 |
| 72243GT | 119 | 75361GT | 119 | 77219GT | 57-58, 143 | 77968PGT | 185, 187 |
| 72255GT | 125-126 | 75362GT | 119 | 77295GT | 14, 143 | 78736GT | 133, 137, 163 |
| 72265GT | 95 | 75363GT | 119 | 77351GT | 189 | 7935GT | 275 |
| 72282GT | 249 | 75364GT | 119 | 77402GT | 95, 101 | 80358GT | 151 |
| 72326GT | 75-76, 81, 189, 195-196, 199 | 75365GT | 119 | 77489GT | 211 | 80543GT | 277 |
| 72327GT | 99, 139 | 75366GT | 119 | 77490GT | 207, 209, 213-214, 217-218 | 80605GT | 271 |
| 72343GT | 143, 156 | 75367GT | 119 | 77491GT | 207, 213-214 | 81062PGT | 261 |
| 72355GT | 119 | 75369GT | 119 | 77492GT | 207, 209, 213-214, 217-218 | 81069GT | 273 |
| 72358GT | 149 | 75370GT | 119 | 77493GT | 207, 209, 213-214, 217-218 | 81096GT | 275 |
| 7265GT | 251-252 | 75371GT | 119 | 77494GT | 207, 209, 213-214, 217-218 | 81110GT | 37-38 |
| 72875GT | 25, 297 | 75372GT | 119 | 77495GT | 223 | 81128GT | 95, 101 |
| 72883GT | 37-38 | 75373GT | 119 | 77496GT | 223 | 81197GT | 85 |
| 72999GT | 17-18 | 75374GT | 119 | 77498GT | 221 | 81199GT | 95, 117 |
| 73076GT | 35 | 75375GT | 119 | 77499GT | 221 | 81329GT | 85 |
| 7339GT | 76, 123 | 75377GT | 119 | 77500GT | 221 | 81330GT | 47-48 |
| 73455GT | 37-38, 48 | 75378GT | 119 | 77501GT | 223 | 81331GT | 71-72 |
| 73463-1175GT | 269 | 75379GT | 119 | 77502GT | 221, 223, 231 | 81341GT | 175 |
| 73477PGT | 184-185 | 75380GT | 119 | 77503GT | 245 | 81342GT | 175 |
| 73478PGT | 184-185, 187 | 75381GT | 121 | 77504GT | 225 | 81347GT | 175 |
| 73500GT | 297 | 75382GT | 121 | 77505GT | 225 | 81366GT | 71-72 |
| 73501GT | 297 | 75383GT | 121 | 77506GT | 225 | 81368GT | 297 |
| 73575GT | 107-108, 184-185, 187, 303 | 75384GT | 121 | 77507GT | 205 | 81378GT | 47-48 |
| 73587GT | 184-185 | 75385GT | 121 | 77508GT | 205 | 81381GT | 37-38 |
| 73610PGT | 184-185 | 75386GT | 121 | 77509GT | 75-76 | 81382GT | 37-38 |
| 73713GT | 35 | 75387GT | 121 | 77510GT | 75-76 | 81383GT | 38 |
| 73717GT | 79, 83 | 75388GT | 121 | 77511GT | 189 | 81385GT | 175 |
| 73723GT | 83 | 75389GT | 121 | 77513GT | 171 | 81417PGT | 141 |
| 73805GT | 81 | 75390GT | 121 | 77514GT | 177 | 81418PGT | 141 |
| 73807GT | 229 | 75391GT | 121 | 77515GT | 171 | 81420GT | 139 |
| 73900GT | 183-185 | 75392GT | 121 | 77516GT | 175 | 81421PGT | 139 |
| 73928GT | 179, 184-185 | 75393GT | 121 | 77517GT | 179 | 81424GT | 139, 167-168 |
| 73931GT | 184-185 | 75394GT | 121 | 77518GT | 179 | 81425GT | 139 |
| 73956-S | 297 | 75395GT | 179 | 77519GT | 47-48 | 81426GT | 139 |
| 73958-S | 297 | 75398GT | 123 | 77525GT | 37-38 | 81427GT | 139 |
| 73976GT | 183-185 | 75399GT | 123 | 77526GT | 37-38 | 81458GT | 275 |
| 73993GT | 93 | 75416GT | 121 | 77527GT | 37-38 | 81462PGT | 123 |
| 74006GT | 275, 277, 279 | 75417GT | 121 | 77536GT | 57-58, 139 | 81463PGT | 123 |
| 74052GT | 277, 289 | 75418GT | 121 | 77540GT | 139, 167-168 | 81464PGT | 123 |
| 74092GT | 213-214, 218 | 75419GT | 121 | 77541GT | 139 | 81466GT | 273 |
| 74439GT | 37-38 | 75420GT | 121 | 77542GT | 139 | 81467GT | 117, 125-126, 133 |
| 74692GT | 17-18 | 75422GT | 121 | 77543GT | 139 | 81468GT | 117, 126, 133 |
| 74902GT | 205, 207, 209, 211, 213-214, 217-218, 221, 223, 231 | 75423GT | 121 | 77544GT | 139 | 81469GT | 117 |
| 75000GT | 117 | 75433GT | 249 | 77545GT | 139 | 81470GT | 117 |
| 75020GT | 111 | 75443GT | 201, 203 | 77550GT | 139, 167-168 | 81471PGT | 117 |
| 75041GT | 57-58, 61-62, 65-66, 295 | 75444GT | 201, 203 | 77551GT | 139, 167-168 | 81473GT | 119 |
| 75051GT | 135 | 75445GT | 201, 203 | 77615GT | 173 | 81481GT | 141 |
| 75052GT | 111 | 75446GT | 201, 203 | 77662GT | 189 | 81488GT | 189, 193, 195-196, 199 |
| 75053GT | 273 | 75447GT | 201, 203 | 77664GT | 269 | 81498GT | 47-48 |
| 75061GT | 179 | 75448GT | 201, 203 | 77675GT | 57-58, 61-62 | 81516GT | 70-72 |
| 75073GT | 85 | 75449GT | 201, 203 | 77683GT | 269 | 81522GT | 159, 165 |
| 75076GT | 85 | 75473GT | 119 | 77692GT | 184-185 | 81532GT | 305, 307 |
| 75082PGT | 123 | 75617-1025GT | 309 | 77694GT | 159 | 81551GT | 75-76, 81, 189, 195-196, 199 |
| 75101GT | 37-38, 47-48 | 75617-1538GT | 307 | 77735GT | 211 | 81558GT | 275 |
| 75113GT | 57-58 | 75617-1550GT | 309 | 77736GT | 113 | 81559GT | 275 |
| | | 75617-1675GT | 305, 307 | 77783GT | 259 | 81562GT | 159 |
| | | 75617-2075GT | 309 | 77785PGT | 299 | 81570GT | 275 |
| | | 75617-2275GT | 305, 307, 309 | 77797GT | 305, 307, 309 | 81578GT | 87 |
| | | 75617-4788GT | 307 | 77806GT | 37-38, 47-48 | 81598GT | 47-48 |
| | | 75617-6275GT | 307, 309 | 77819GT | 233 | 81609GT | 48 |
| | | 75617-6475GT | 305, 307 | 77821GT | 139 | 81610GT | 48 |
| | | 75631-3700GT | 35 | 77822GT | 141, 168 | 81615GT | 115 |
| | | 75632-300GT | 35 | 77825GT | 159 | 81615PGT | 159 |
| | | | | | | 81700GT | 263 |

Part Number Index (continued)

| Part Number | Page | Part Number | Page | Part Number | Page | Part Number | Page |
|-------------|------------------|-------------|------------------|-------------|-------------------|-------------|------------------|
| 81703PGT | 139 | 824027GT | 108, 111, 115, | 824387GT | 33 | 84137GT | 205 |
| 8170GT | 159 | | 161, 163, 187, | 824389GT | 33 | 85053GT | 126 |
| 81724GT | 159 | | 255, 271, 301, | 824390GT | 27 | 85124GT | 111 |
| 81731PGT | 139 | | 309 | 824391GT | 33 | 8516GT | 65-66, 87, 101, |
| 81752GT | 173 | 824028GT | 47-48, 161, 165, | 824392GT | 27 | | 103, 105, 137, |
| 81777GT | 175 | | 255 | 824393GT | 33 | | 141, 149, 173, |
| 8177GT | 93, 105, 119, | 824029GT | 47-48, 107-108, | 824394GT | 27 | | 179, 273, 275, |
| | 126, 139, 147, | | 115, 165, 187, | 824396GT | 27 | | 279, 299 |
| | 155-156, 171, | | 271, 301, 309 | 824507GT | 111 | 85300GT | 297 |
| | 177 | 824031GT | 51 | 824673GT | 137 | 88016PGT | 177 |
| 81781GT | 117 | 824032GT | 271 | 82472GT | 31 | 88021PGT | 177 |
| 81782GT | 117 | 824038GT | 269 | 82473GT | 29 | 88022GT | 177 |
| 81784GT | 293 | 82403GT | 21 | 82481GT | 29 | 88027GT | 175 |
| 81785GT | 293 | 824059GT | 65-66 | 82487GT | 27, 33 | 88032GT | 177 |
| 8178GT | 155-156 | 824060GT | 311 | 825019GT | 35, 43, 45, 47- | 88044PGT | 57-58, 62, 65-66 |
| 81802GT | 309 | 824061GT | 271 | | 48, 159, 171, 179 | 88045PGT | 57-58, 61-62, |
| 81829PGT | 57-58, 61-62, | 824069GT | 311 | 825020GT | 271 | | 65-66 |
| | 65-66 | 824078GT | 35, 38, 47-48, | 825218GT | 135 | 88046PGT | 57-58, 61-62, |
| | | | 179, 187, 271, | 825239GT | 131 | | 65-66 |
| 81834GT | 69-72 | | 301, 303, 309 | 825240GT | 159, 165 | 88054GT | 191 |
| 81837GT | 139, 293 | 824079GT | 108, 111, 115, | 82544GT | 27, 29 | 88055-SGT | 75-76 |
| 81850PGT | 275 | | 187, 255 | 82545GT | 33 | 88056GT | 75-76 |
| 81852GT | 273 | | | 82548GT | 33 | 88057GT | 76, 81 |
| 81861PGT | 139 | 824080GT | 301 | 825532GT | 199 | 88061PGT | 189 |
| 81868PGT | 85 | 824081GT | 161, 255 | 8255GT | 70-72, 143, 173, | 88063PGT | 195-196 |
| 81869PGT | 85 | 824082GT | 41, 163 | | 175 | 88064GT | 125-126 |
| 81874GT | 85 | 824083GT | 297 | 825759GT | 47-48 | 88065GT | 171, 173 |
| 81876GT | 85 | 824085GT | 161, 255 | 82577GT | 33 | 88066GT | 35, 38, 43 |
| 81877PGT | 139 | 824086GT | 255 | 825907GT | 107-108 | 88069GT | 43, 45 |
| 81878GT | 159 | 824089GT | 41, 45, 163 | 825939GT | 133 | 88074GT | 171 |
| 81906-700GT | 117 | 824090GT | 43, 45, 107-108, | 825947GT | 267 | 88075GT | 171 |
| | | | 115, 303 | 825948GT | 267 | 88077GT | 171, 177 |
| 81923GT | 177 | 824091GT | 47-48, 165, 187 | 826000GT | 137 | 88078GT | 171 |
| 81928GT | 177 | 824095GT | 271 | 82601GT | 33 | 88079GT | 171 |
| 81931PGT | 177 | 824109GT | 65-66 | 82602GT | 33 | 88082PGT | 48 |
| 81932PGT | 177 | 82410GT | 25 | 82603GT | 33 | 88083PGT | 48 |
| 81934GT | 177 | 824113GT | 35, 38, 41, 47- | 82604GT | 33 | 88085PGT | 87 |
| 81983-SGT | 43 | | 48, 65-66, 301, | 826060GT | 111 | 88090GT | 57-58 |
| 81985-SGT | 43 | | 311 | 82607GT | 27, 29 | 88091GT | 57-58 |
| 82161GT | 17-18 | 824116GT | 184-185, 187 | 826152GT | 135 | 88092PGT | 48 |
| 82202GT | 21 | 824120GT | 107-108, 311 | 826211GT | 115, 137 | 88096PGT | 177 |
| 82204GT | 21 | 824127GT | 45 | 826212GT | 115, 137 | 88097PGT | 75-76 |
| 822087GT | 137 | 824129GT | 45 | 826635GT | 83 | 88098PGT | 75-76 |
| 822224GT | 199 | 824132GT | 107-108 | 826636GT | 83, 131 | 88100GT | 139 |
| 82237GT | 21, 25, 279, 283 | 824134GT | 41, 47-48 | 826637GT | 83, 107-108 | 88103GT | 47-48 |
| 82244GT | 263 | 824164GT | 171, 175 | 826710GT | 107-108 | 88105PGT | 57-58, 62, 65-66 |
| 82246GT | 27 | 824216GT | 303 | 82671GT | 27, 33 | 88106PGT | 85 |
| 822613GT | 195-196 | 824220GT | 107-108 | 826765GT | 108 | 88107GT | 57-58, 61-62, |
| 82268GT | 23, 31 | 824227GT | 309 | | | | 65-66, 177 |
| 82269GT | 17-18, 27 | 82422GT | 25, 33 | 826791GT | 184-185, 187 | 88113GT | 207, 209, 213- |
| 822759GT | 309 | 824283GT | 17-18 | 826792GT | 184-185, 187 | | 214, 217-218 |
| 822764GT | 309 | 824285GT | 17-18 | 826793GT | 184-185, 187 | 88114GT | 213-214 |
| 822768GT | 309 | 824288GT | 17-18 | 826794GT | 51, 184-185, 187 | 88119GT | 181 |
| 822769GT | 309 | 824293GT | 17-18 | 826795GT | 131 | 88120PGT | 87 |
| 82281GT | 25, 33 | 824301GT | 25 | 826822GT | 131 | 88121PGT | 57-58, 61-62, |
| 822949GT | 193 | 824304GT | 17-18 | 826825GT | 135 | | 65-66 |
| 822950GT | 193 | 824305GT | 25 | 826835GT | 131 | 88130GT | 189 |
| 822951GT | 193 | 824308GT | 17-18 | 826859GT | 131 | 88131GT | 189 |
| 82296GT | 17-18, 21 | 824317GT | 17-18 | 826871GT | 137 | 88132GT | 79 |
| 823012GT | 137 | 824319GT | 17-18 | 826873GT | 137 | 88133GT | 79 |
| 823013GT | 137 | 824321GT | 17-18 | 826874GT | 131 | 88134GT | 79, 117 |
| 82308GT | 25, 33 | 824325GT | 17-18 | 82862GT | 25, 283 | 88135GT | 79, 93 |
| 82312GT | 21, 29 | 824338GT | 27 | 82908GT | 35, 43 | 88136GT | 79, 139 |
| 823135GT | 137 | 824351GT | 137 | 82924GT | 27 | 88137GT | 79 |
| 823143GT | 135 | 824372GT | 33 | 82989GT | 17-18, 21 | 88138GT | 79 |
| 823144GT | 133 | 824373GT | 27 | 82990GT | 27, 29 | 88139GT | 47-48 |
| 823147GT | 133, 135 | 824374GT | 33 | 83009GT | 71-72 | 88140GT | 189 |
| 82314GT | 23 | 824375GT | 27 | 83048GT | 139 | 88141GT | 75-76, 79 |
| 823229GT | 135 | 824377GT | 33 | 83098GT | 201, 203 | 88142GT | 189, 195-196, |
| 823239GT | 133 | 824378GT | 27 | 83124GT | 71-72 | | 199 |
| 823520GT | 249 | 824379GT | 33 | 83135GT | 139 | 88143GT | 249 |
| 82366GT | 17-18 | 824380GT | 27 | 83141GT | 233 | 88147GT | 47-48 |
| 823703GT | 133 | 824381GT | 33 | 83142GT | 233 | 88149GT | 173 |
| 823751GT | 111, 131 | 824382GT | 27 | 8357GT | 58, 62, 66 | 88150GT | 75-76, 81 |
| 823804GT | 81 | 824384GT | 27 | 84080GT | 285 | 88153GT | 173 |
| 82384GT | 23 | 824385GT | 33 | 84134GT | 211 | | |
| | | 824386GT | 27 | 84135GT | 205, 211 | | |

Part Number Index (continued)

| Part Number | Page | Part Number | Page | Part Number | Page | Part Number | Page |
|---------------|--------------------------|---------------|------------------------------|--------------|----------------------|-------------|----------|
| 88154GT | 57-58, 61-62, 65-66, 159 | 88353GT | 245 | 89908GT | 273 | 99778GT | 295 |
| 88155GT | 57-58, 61-62, 65-66 | 88356-175R7GT | 48 | 89917PGT | 147 | T106954GT | 69-72 |
| 88156GT | 69-72 | 88356-42133GT | 179 | 89959GT | 265, 267 | T106955GT | 69-72 |
| 88157GT | 159 | 88356-43103GT | 69-72 | 89973GT | 143 | T106956GT | 69-72 |
| 88158GT | 159 | 88356-44163GT | 173 | 89997GT | 123, 125-126 | T106957GT | 69-72 |
| 88159GT | 89, 91 | 88356-444P3GT | 171, 177 | 89998GT | 123, 125-126 | T107605GT | 121 |
| 88160GT | 89, 91 | 88359GT | 171 | 93500GT | 13-14 | T107606GT | 121 |
| 88162GT | 89 | 88360GT | 173 | 94324-1400GT | 265 | T107736GT | 227 |
| 88164GT | 89, 91 | 88361GT | 177 | 94324-300GT | 161 | T107884GT | 179 |
| 88167GT | 89, 91 | 88362GT | 173 | 94324-3450GT | 103 | T108732GT | 125-126 |
| 88173PGT | 117 | 88363GT | 179 | 94324-500GT | 265 | T108733GT | 125-126 |
| 88174PGT | 273 | 88364GT | 69-72 | 94326-SGT | 184-185 | T108734GT | 125-126 |
| 88175PGT | 139 | 88366GT | 177 | 94327GT | 13-14, 89, 91 | T109328GT | 257 |
| 88177GT | 75-76, 81 | 88367GT | 177 | 94374-2630GT | 237 | T110762GT | 85 |
| 88190PGT | 141 | 88368GT | 69-72 | 94374-2730GT | 241, 243 | T111507GT | 41, 55 |
| 88199PGT | 139 | 88374GT | 273 | 94374-2830GT | 237 | T111608GT | 285 |
| 8819PGT | 99 | 88377-1400GT | 269 | 94374-2930GT | 239, 241, 243 | T111609GT | 285 |
| 88201PGT | 273 | 88382GT | 48 | 94374-3530GT | 245, 281 | T111610GT | 285 |
| 88202PGT | 273 | 88383GT | 48 | 94374-3730GT | 245, 281 | T111611GT | 285 |
| 88210PGT | 48 | 88384GT | 305, 307 | 94374-4030GT | 281 | T111612GT | 285 |
| 88212GT | 71-72 | 88385GT | 305, 307 | 94374-5430GT | 237 | T111613GT | 285 |
| 88213GT | 263 | 88390GT | 305, 307, 309 | 94390-SGT | 184-185, 187 | T111766GT | 279 |
| 88214GT | 263 | 88398GT | 87 | 94397GT | 179 | T112560GT | 277, 289 |
| 88215GT | 263 | 88399GT | 87 | 94448GT | 271 | T112561GT | 277, 289 |
| 88216GT | 263 | 88406GT | 283 | 94460-SGT | 271 | T112563GT | 275 |
| 88225GT | 35 | 88423PGT | 259 | 94493-SGT | 269 | T112626GT | 201, 203 |
| 88226GT | 35 | 88424PGT | 259 | 94524PGT | 75-76 | T112720GT | 289 |
| 88227PGT | 57-58, 61-62, 65-66 | 88425GT | 259 | 94549GT | 271 | T112773GT | 25, 33 |
| 88240GT | 85 | 88426PGT | 259 | 94600GT | 273 | T113655GT | 279 |
| 88241GT | 43, 45 | 88427PGT | 259 | 94620GT | 71-72 | T114022GT | 279 |
| 88258GT | 37-38 | 88428GT | 259 | 94621GT | 71-72 | T114023GT | 279 |
| 88259GT | 37-38 | 88429PGT | 259 | 94622GT | 71-72 | T114678GT | 125-126 |
| 88263GT | 259 | 88430GT | 259 | 94623GT | 71-72 | | |
| 88265PGT | 87, 89, 91 | 88431PGT | 259 | 94624GT | 71-72 | | |
| 88266PGT | 87 | 88432GT | 259 | 94625GT | 71-72 | | |
| 88270GT | 57-58, 61-62, 65-66 | 88441-3640GT | 245 | 94626GT | 71-72 | | |
| 88273GT | 179 | 88450GT | 143 | 94627GT | 189 | | |
| 88274GT | 171 | 88454-6604GT | 245 | 94628GT | 75-76 | | |
| 88278GT | 171 | 88482GT | 51 | 94643GT | 271 | | |
| 88279GT | 171 | 88483GT | 51 | 94723GT | 51 | | |
| 88280GT | 179 | 88486GT | 95 | 94726GT | 51 | | |
| 88283GT | 179 | 88492GT | 265 | 94745PGT | 184-185, 251-252 | | |
| 88287GT | 189, 195-196, 199 | 88493GT | 265 | 94747GT | 71-72 | | |
| 88288GT | 189 | 88507GT | 181 | 94757GT | 279 | | |
| 88290GT | 179 | 88508GT | 181 | 94759GT | 279 | | |
| 88291GT | 69-72 | 88512GT | 95, 125-126 | 94760GT | 279 | | |
| 88293GT | 69-72 | 88516GT | 179 | 94762GT | 13-14, 108 | | |
| 88295GT | 277 | 88606PGT | 257 | 94765GT | 279 | | |
| 88299-82400GT | 277 | 88607PGT | 257 | 94789GT | 35 | | |
| 88300-36900GT | 277 | 88609-SGT | 257 | 94791GT | 35 | | |
| 88301PGT | 259 | 88648GT | 177 | 94792GT | 35 | | |
| 88302GT | 259 | 88757GT | 143 | 94793GT | 35 | | |
| 88303PGT | 259 | 88777-SGT | 249 | 94794GT | 35 | | |
| 88304PGT | 259 | 88788PGT | 173 | 94795GT | 35 | | |
| 88305GT | 259 | 88794GT | 173 | 94796GT | 35 | | |
| 88306PGT | 259 | 88846GT | 161 | 94796GT | 35 | | |
| 88307PGT | 259 | 88847GT | 143 | 94889GT | 111 | | |
| 88308PGT | 259 | 88847GT | 143 | 94947GT | 189 | | |
| 88309GT | 259 | 88906GT | 179 | 9596GT | 251-252 | | |
| 88310PGT | 259 | 8914GT | 57-58, 61-62, 65-66, 76, 189 | 9599-SGT | 251-252, 255 | | |
| 88314PGT | 70-72 | 8915GT | 85, 117, 137, 271 | 96236GT | 275 | | |
| 88315GT | 81 | 89299GT | 205 | 96770GT | 137 | | |
| 88317GT | 75-76 | 89307GT | 223 | 97128GT | 69-72, 173, 177, 179 | | |
| 88329GT | 251-252 | 89310GT | 205, 211, 221, 223 | 97231GT | 69-72, 177 | | |
| 88330GT | 249 | 89312GT | 223 | 97461GT | 111 | | |
| 88343PGT | 177 | 89377GT | 187 | 97473GT | 113 | | |
| 88345GT | 175 | 89719GT | 285 | 97576GT | 21 | | |
| 88349GT | 35, 43, 45 | 89755GT | 271 | 97579GT | 25, 283 | | |
| 88350GT | 175 | 89759GT | 111 | 97592GT | 21 | | |
| 88351GT | 47-48 | 89765GT | 13-14, 113 | 97602GT | 21 | | |
| 88352GT | 273 | 89811GT | 149 | 97758GT | 21 | | |
| | | 89812GT | 149 | 97815GT | 25, 33, 184-185 | | |
| | | 89813GT | 149 | 97875GT | 17-18, 25 | | |
| | | 89871-8448GT | 237 | 97887GT | 25 | | |
| | | 89894PGT | 273 | 97890GT | 17-18, 25 | | |

The Part Description Index is an alphabetical index of all part descriptions included in this manual. The index shows what page(s) the part is used on.

1
12VDC PROPORTIONAL VALVE.....289

2
207 HYD MOTOR ASSY, GEN.....289
2WS MANIFOLD W/O OSC.....209

4
4WS MANIFOLD W/O OSC.....217-218

6
6' TRI-ENT ASSY W/DECALS A/SOA.....251-252
6' TRI-ENT ASSY W/DECALS ANSI.....251-252
6' TRI-ENT ASSY W/DECALS AUSTR.....251-252
6' TRI-ENT RAIL W/DECALS A/SOA.....251-252
6' TRI-ENT RAIL W/DECALS ANSI.....251-252
6' TRI-ENT RAIL W/DECALS AUSTR.....251-252

8
8' TRI-ENT ASSY W/DECALS A/SOA.....251-252
8' TRI-ENT ASSY W/DECALS ANSI.....251-252
8' TRI-ENT ASSY W/DECALS AUSTR.....251-252
8' TRI-ENT ASSY W/DECALS CE.....251-252
8' TRI-ENT RAIL W/DECALS A/SOA.....251-252
8' TRI-ENT RAIL W/DECALS ANSI.....251-252
8' TRI-ENT RAIL W/DECALS AUSTR.....251-252
8' TRI-ENT RAIL W/DECALS CE/UK.....251-252

A
ACC,AIR PRE-CLEANER,FORD T2.....265
ACC,FALL ARREST BAR,6FT FR.....313
ACC,FALL ARREST BAR,6FT SYM.....313
ACC,FALL ARREST BAR,6FT WORD.....313
ACC,FALL ARREST BAR,8FT FR.....313
ACC,FALL ARREST BAR,8FT SYM.....313
ACC,FALL ARREST BAR,8FT WORD.....313
ACC,PLAT CONTROL COVER, SERV.....257
ACCESSORY,OPERATOR PROT STRUCT.....311
ACCESSORY,PANEL CRADLE,ANSI.....269
ACCUMULATOR, 5CU IN 500 CHARGE.....227
ACCUMULATOR,500 PSI,HYDAC.....225
ACTIVATOR,STEER SENSOR.....35, 38, 41
ADAPTER 3/8 FNPT X M16.....101
ADAPTER, 2" TO 1.8", PERK 404F.....111
ADAPTER,1/4 FNPT X 1/2-20 UNF.....103
ADAPTER,140139-8-6.....103, 151
ADAPTER,AIR HOSE,PERK 404F.....111
ADAPTER,DEUTZ OIL DRAIN.....117
ADAPTER,MIXER, TME27.....151
ADAPTER,NPT 6-4.....61-62
ADAPTER,OIL DRAIN,GM 3.0L.....139
ADAPTER,WELDER,208-220.....283
ADJUSTABLE STRAP ASSY.....269

ADPTR,ST. THR 3/4-16 FEM PIPE.....95
ADPTR,STR FEM INV 45D 1/4X1/4.....95
AIR CLEANER BRACKET, PAINTED.....95
AIR CLEANER CAP/ FORD/NOLFF***.....143, 155-156
AIR CLEANER,FORD,T3.....143
AIR CLEANER,NELSON.....117, 125-126, 133
AIR CLEANER,NELSON***.....95, 103, 111, 139, 155-156, 161
Air Intake Hose.....145
AIR PRESSURE SENSOR,PERKINS 404F-22T.....107-108
ALARM PKG,(BEACON,TRVL,DESCNT).....249
ALARM,AUDIO,SUPERBOOM***.....75-76, 81, 189, 195-196, 199
ALARM,WARBLE TONE 5-30 VDC***.....81
ALTERNATOR - 85 AMP, INT REGULATED.....113
ALTERNATOR PULLEY.....121
ALTERNATOR STAY,DEUTZ F4L913.....121
ALTERNATOR, DEUTZ (55AMP) ***.....121
ALTERNATOR, DEUTZ,BF4L2011***.....125-126
ALTERNATOR, GM3.0L ENGINE.....141, 168
ALTERNATOR, PERKINS (53883).....93
ALTERNATOR,LRG-423 RE-BUILT*.....143, 147
ALTERNATOR,PERKINS 800 SERIES.....103
ALTERNATOR,STAY,DEUTZ,F4L913.....121
ALTERNATOR,TME2.7L ENGINE.....151
ANGLE,RING GUARD *PAINTED.....261
ASSEMBLY RESET SWITCH.....301
ASSEMBLY, JUNCTION, 404F-EXT, Z80.....107-108
ASSEMBLY, LIGHT, CONTACT ALARM.....303
ASSEMBLY, OPA PROTECTION CAGE.....301
ASSEMBLY, SENSOR, PROX, CONTACT ALARM.....303
ASSEMBLY,CABLE,TAPESWITCH.....301
ASSEMBLY,CONTACT ALARM CABLE, LARGE.....303
ASSEMBLY,FOOT SWITCH.....184-185, 187
ASSEMBLY,LCD HEATER ALC1000.....75-76, 81
ASSEMBLY,TAPESWITCH.....301
ASSEMBLY,TIRE,445D50/710,LH.....37-38
ASSEMBLY,TIRE,445D50/710,RH.....37-38
ASSM, GEN. ONLY, 110V, 60HZ.....285
ASST,OVERFLOW BOTTLE,TME27.....153
ASSY BATTERY HEATER,240V.....295
ASSY HEATER, MODEL 18, 120V.....295
ASSY HEATER,MODEL 18,240V.....295
ASSY, BATTERY HEATER, 120V.....295
ASSY, CIRCUIT BREAKER 20A.....75-76, 81
ASSY, CONTROL BOX, PCON, Z80.....195-196
ASSY, DRIVE LIGHT, 12V LED.....249
ASSY, ELECTRIC SWIVEL, 6 CONTA.....69-72
ASSY, FUEL PICKUP TUBE.....65-66
ASSY, HYD/ELEC 6 PORT/6 CONT.....69-72
ASSY, HYDRAULIC SWIVEL, 6 PORT.....69-72
ASSY, LS, LOAD SENSE, ALC1000.....271
ASSY, MED. PRESS. FILTER, SAE8.....87
ASSY, SENSOR W/HOUSING.....303
ASSY, TELEMATICS CONN. BOX.....65-66

ASSY, WORK LIGHTS, Z80.....255
ASSY,120V HEATER, HYD TANK.....295
ASSY,240V HEATER, HYD TANK.....295
ASSY,6' PLAT WELDMENT W/SIDE GATE.....187
ASSY,6FT PLAT DUAL LG,BLANK W/SIDE SWING GATE.....187
ASSY,8' PLAT WELDMENT W/SIDE GATE.....187
ASSY,8FT PLAT TRI LG,BLANK W/SIDE SWING GATE.....187
ASSY,BRACKET,CONTACT BLOCK.....75-76, 81
ASSY,BRACKET,KS CONTACT BLOCK.....75-76
ASSY,ENCLOSURE,WELDER,GEN.....279
ASSY,ENGINE HEATER,120V.....295
ASSY,ENGINE HEATER,240V.....295
ASSY,FOUR LINK CABLE TRACK***.....173
ASSY,FUEL HOSE.....65-66
ASSY,FUEL TANK Z80.....57-58, 61-62
ASSY,MODULE,CONTROL UNIT,OPA.....301
ASSY,NON-STEER AXLE W/BEARINGS.....47-48
ASSY,RELAY SOCKET, AUTO.....65-66
ASSY,SIDE SWING GATE.....187
ASSY,STEER AXLE NON OSC,W/BEAR.....47-48
ASSY,STEER AXLE, W/BEARINGS.....45
ASSY,TRACK,FALL ARREST BAR,6FT FR.....313
ASSY,TRACK,FALL ARREST BAR,6FT SYM.....313
ASSY,TRACK,FALL ARREST BAR,6FT WORD.....313
ASSY,TRACK,FALL ARREST BAR,8FT FR.....313
ASSY,TRACK,FALL ARREST BAR,8FT SYM.....313
ASSY,TRACK,FALL ARREST BAR,8FT WORD.....313
ASSY,WORK LIGHT,12V LED.....255
ASSY,Z80 LOWR PRIM BOOM W/SYM.....177
ASSY,Z80 LOWR PRIM BOOM W/WORD.....177
ASSY,Z80 YOKE, W/BEARINGS,L.....45
ASSY,Z80 YOKE, W/BEARINGS,RT.....45
ATOMISER (FUEL INJECTOR),PERKINS 404F-22T.....107-108
AUX RAIL, 6' PLAT, SIDE ENTRY.....255
AUX RAIL, 8' PLAT, TRI-ENTRY.....255
AUX TOP RAIL,6'(1.25")SERVICE.....251-252
AUX TOP RAIL,6',SWG GT, SRV.....251-252
AUX TOP RAIL,6FT,PTD.....251-252
AUX TOP RAIL,8'(1.25")SERVICE.....251-252
AUX TOP RAIL,8',SWG GT, SRV.....251-252
AUX TOP RAIL,8FT,PTD.....251-252

B
BACKING PLATE,BOTTOM,RISER.....259
BACKING PLATE,TOP,RISER PAINTE.....259
BAFFLE, AIR CLEANER (27915)**.....95, 103, 111, 139, 155-156, 161
BAFFLE,INTAKE,Z80 PERKINS.....101
BALL STUD*.....85
BAR,AXLE ROTATION STOP PAINT.....48

Part Description Index (continued)

| | | |
|--|--|---|
| BAR,HARNES CONNECTOR MOUNT.....147 | BELT-FAN, GM 3.0L ENGINE.....13-14, 139, 141 | BRACKET,HEAT SHIELD REAR,TME27.....151 |
| BASE & PLAT CONTROL COVERS.....257 | BLANKET,BATTERY.....293 | BRACKET,HEAT SHIELD,FRNT,TME27.....151 |
| BASE ENCLOSURE,RED,OPA.....301 | BOLT, CARRIAGE, 3/8-16 X 1.50, G5.....273 | BRACKET,HYD.ROTATOR MOUNT MNT.....69-72 |
| BASE WITH 1 NC CONTACT, E-STOP.....81, 193, 195-196, 199 | BOLT, CYLINDER HEAD, GM3.0L ENG.....167-168 | BRACKET,HYDRAULIC WELDER Z80.....283 |
| BASE, W/1 N.O. CONTACTS***.....199 | BOLT, DEUTZ STARTER.....131 | BRACKET,IGNITION COIL,TME27.....153 |
| BASE,W/2 NC CONTACTS***.....81 | BOLT,ALT MNTG,GM3.0LENG.....168 | B R A C K E T , I N T A K E PIPE,MOUNT,DEUT.....111, 131 |
| BASE,W/3 N.C.& 3 N.O.....75-76 | BOLT,ALTERNATOR,GM 3.0L ENG.....168 | BRACKET,LEG,RLY BLOCK.....89, 91 |
| BASE,W/OUT CONTACTS.....75-76, 81, 191 | BOLT,CARRIAGE,1/4-20 X .75,G2.....181, 259 | BRACKET,LINCOLN WELDER,PNTD.....283 |
| BATT.CABLE,00,POS.,RED,76".....159 | BOLT,CARRIAGE,M8X1.25X25,DEUTZ.....121 | BRACKET,LOWER RAD,TME27.....153 |
| BATTERY CABLE,2/0,BLACK,64".....159 | BOLT,CRANKSHAFT,TME27.....151 | BRACKET,LOWER RADIATOR.....107-108 |
| BATTERY HOLD DOWN,GROUP 31.....159 | BOLT,FLANGE,5/8-11X1.5"GR8 PLT.....131 | BRACKET,MAP SENSOR,PAINTED.....143 |
| BATTERY TRAY,FORMING,PAINTED.....159 | BOLT,GM 3.0L ENG.....168 | BRACKET,MUFFLER MOUNT,PAINTED....139 |
| BATTERY,12V,1000 CCA GRP 31.....159 | BOLT,HEX-UNC(.250-20, .500G).....55 | BRACKET,MUFFLER SUPPORT PAINTD.....103 |
| BEARING KIT.....38 | BOLT,HEX-UNC(.375-16).....53 | BRACKET,MUFFLER,GM3.0L ENG....167-168 |
| BEARING KIT,INNER (88921).....71-72 | BOLT,PULLEY,GM.....273 | BRACKET,PBAS MOUNT PAINTED.....173 |
| BEARING KIT,OUTER (88921).....70-72 | BOLT,SCREW,WHEEL DRIVE CAP.....37-38 | BRACKET,POWER TO PLAT TBOX,PNT.....283 |
| BEARING KIT,PLAT ROTATOR,SUPER.....179 | BOLT,WHEEL DRIVE CAP(106122).....38, 53 | BRACKET,POWER TO PLAT, DOM.....275 |
| BEARING KIT,WHEEL DRIVE W/BRAKE (227775).....41, 53 | BOLT-FLANGE,M6 X 22MM(52573).....149 | BRACKET,POWER TO PLAT, UK.....275 |
| BEARING KIT,WHEEL HUB (102778).....38 | BOOM,PRIMARY ASSY W/SYMB,Z80.....173 | BRACKET,PRECLEANER PAINTED.....265 |
| BEARING NUT***.....53, 55 | BOOM,PRIMARY ASSY W/WORD,Z80.....173 | BRACKET,PRIMARY BOTTOM WIPER.....259 |
| BEARING TURNABLE SEAL***.....70-72 | BOOT GUARD, JOYSTICK 62390/91.....201 | BRACKET,PRIMARY SIDE WIPER.....259 |
| BEARING, 1.5IDX1.75ODX2.00L.....179 | BOOT(BELLOWS),E-STOP,BLACK.....76, 191, 193, 195-196, 199 | BRACKET,PRIMARY SIDE WIPER LH.....259 |
| BEARING, TAPERED - ASSY.....53, 55 | BOOT, ROCKER JOYSTICK 75565.....201, 203 | BRACKET,PRIMARY TOP WIPER.....259 |
| BEARING, 1.00IDX1.25ODX1.00L.....35, 43, 45 | BOOT,BATTERY TERMINAL,RED.....159 | BRACKET,RADIATOR SUP,TME27.....151 |
| BEARING, 1.25 ID X 1.5 OD X .75.....179 | BOOT,JOYSTICK.....201, 203 | BRACKET,RADIATOR SUPPORT PAINT....139 |
| BEARING, 1.25IDX1.5ODX1.00L.....179 | BOOT,POWER,RECEP,2 WAY.....69-72 | BRACKET,RADIATOR SUPPORT PNTD....101 |
| BEARING, 1.5IDX1.75ODX0.75L.....179 | BOOT,SOLENOID,29073.....123 | BRACKET,REAR MOUNT,ALT,GM3.0L ENG.....167-168 |
| BEARING, 1.5IDX1.75ODX1.0L.....179 | BOOT,TOGGLE SWITCH,SHORT*.....189, 193, 195-196, 305, 307, 309 | BRACKET,RETURN FILTER.....57-58, 61-62, 65-66 |
| BEARING, 1.75IDX2.00ODX1.25L.....45 | BOT.CLAMP,ARCTIC HOSE CBLTRK.....173 | BRACKET,RING GEAR.....261 |
| BEARING, 1.75IDX2.00ODX1.50L.....35, 43, 45 | BOTTLE, COOLANT RECOVERY, 2QT.....99, 139 | BRACKET,RISER SIDE WIPER.....259 |
| BEARING, 2.25IDX2.50ODX1.50L***.....171 | BOTTLE, OVERFLOW, GM3.0L ENG.....167-168 | BRACKET,RISER,BOTTOM PAINTED.....259 |
| BEARING, 2.25IDX2.75ODX2.00L.....171, 173 | BOTTLE,COOLANT RECOVERY,3.7***.....103, 107-108, 143 | BRACKET,SOLENOID PAINTED.....101 |
| BEARING, 2.50IDX2.75ODX2.00L.....35, 43, 45, 48 | BOX, GROUND CONTROL.....81 | BRACKET,UPPER RADIATOR.....108 |
| BEARING, 3.00IDX3.25ODX1.25L.....171 | BOX,GROUND CONTROL,PAINT.....75-76 | BRACKET,UPPER SUPPORT,TME27.....153 |
| BEARING, 3.00IDX3.50ODX1.50L.....171 | BOX,GROUND CONTROL,Z80.....75-76 | BRACKET,V275S WELD LEADS.....283 |
| BEARING,BALL DRIVE SHAFT.....37-38 | BOX,INSTRUCTION STORAGE.....184-185, 187 | B R A C K E T , W E L D E R M N T SUPPORT,PNT.....283 |
| BEARING,FL, 1.25IDX1.41ODX1.50L.....179 | BRACE,UPPER RADIATOR SUPPORT,.....108 | BRACKET,WELDER SUPPORT,PNT.....283 |
| BEARING,FL, 1.25IDX1.5ODX1.25L.....159 | BRACKET, STRUT BRACE.....135 | BRACKET,WIPER,SIDE,RISER,LH.....259 |
| BEARING,FL, 2.25IDX2.50ODX1.33L.....171 | BRACKET,1K OHM 10-TURN POT,PNT.....279 | BRACKET,WIPER,SIDE,RISER,RH.....259 |
| BEARING,GARLOCK,12FDU12.....271 | BRACKET,AIR CLEANER,MUFFLER.....101 | BRACKET,WIPER,TOP,RISER PAINTE.....259 |
| BEARING,INNER CONE.....35 | BRACKET,AIR CLEANER,PAINTED.....139 | BRACKET,WORK LIGHT MOUNT 5/16".....251-252, 255 |
| BEARING,MOTOR.....285 | BRACKET,AIR CLEANER/EXHAUST PT.....117 | BRACKET-FUEL FILTER (52567).....147 |
| BEARING,OUTER CONE.....35 | BRACKET,AIRLINE TO PLATFORM.....277 | BRAKE DISC KIT (81383).....38 |
| BEARING,THRUST WASHER***.....55 | BRACKET,ALTERNATOR,GM3.0L ENG.....168 | BRAKE DISC, KIT (81381).....37-38 |
| BEARING,TURNABLE.....70-72 | BRACKET,BATTERY CABLE.....137 | Brake Lining Kit.....53 |
| BELL HOUSING KIT, FORD 425EFI.....149 | BRACKET,CABLE TRACK,MOVING END.....173 | BRAKE LINING KIT (121291).....55 |
| BELT GEN BRKT UPGRADE KIT.....273 | BRACKET,CATALYST,GM3.0L ENG.....167-168 | Brake Piston and Spring Kit.....38 |
| BELT GUARD W/DECAL PERKINS.....105 | BRACKET,CONTACT CLAMP***.....75-76 | BRAKE PORT HARDLINE.....71-72 |
| BELT, (NAPA 9360).....273 | BRACKET,CONTROL UNIT.....301 | Brake Replacement Kit.....53 |
| BELT, V (PERKINS 404).....13-14, 113 | BRACKET,EXPANSION TANK, LEFT M.....135 | Brake Seal Kit.....53 |
| BELT,AIR PUMP,PERKINS 404F-22T.....13-14, 107-108 | BRACKET,EXPANSION TANK,DEUTZ 2.....135 | BRAKE TUBING.....70-72 |
| BELT,ALTERNATOR,GM 3.0L ENG.....168 | BRACKET,FAN SHROUD,LH PAINTED.....101 | BRAKE TUBING***.....70-72 |
| BELT,AX33***.....273 | BRACKET,FAN SHROUD,RH,PAINTED.....101 | BRAKE,900 IN*LB.....71-72 |
| BELT,AX35.....273 | BRACKET,FUEL PUMP PAINTED.....105 | BREAKER, 25 AMP, GEN.....289 |
| BELT,AX36.....273 | BRACKET,GENERATOR 12KW.....289 | BREAKER,15 AMP,GEN.....289 |
| BELT,AX38***.....273 | BRACKET,GENERATOR 12KW,PTD.....279, 285 | BREATHING PIPE, TD 2011L04I.....129 |
| BELT,FEAD, TME 2.7L ENGINE.....151 | BRACKET,GENERATOR MOUNT.....273 | BREATHING, PERKINS 404F-22T.....107-108 |
| BELT,SERPENTINE,LRG425 EFI***.....14, 149 | BRACKET,GENERATOR-DEUTZ.....273 | BREATHING,RESERVOIR 3 MICRON***.....57-58, 61-62, 65-66 |
| BELT,TIMING,FORD LRG423/425EFI.....143, 149 | | BRIDGE,50A FULL WAVE**.....285 |
| BELT,V KIT, PERKINS 704-30.....13-14, 97 | | BRKT,AIR CLEANER ORIENTATION**.....95, 103, 111, 139, 143, 155-156, 161 |
| BELT,V, ALTERNATR.DEUTZ F4L913.....121 | | |
| BELT,V, BLOWER, DEUTZ F4L913.....13-14, 121 | | |

| | | |
|---|---|---|
| BRKT,RADIATOR TOP LH,GM3.0L ENG....168 | CATCH,GRND.CTRL.BOX COVER.....257 | CLAMP,MUFFLER,1-7/8 IN.....145, 153 |
| BRKT,RADIATOR TOP RH,GM3.0L ENG....168 | CBV ASSEMBLY***70-72 | CLAMP,MUFFLER,1.75 INCH.....143 |
| BRUSH 3/8 X 1/4 X 15/16(36928).....285 | CE FIELD SHIM KIT LOAD SENSE.....271 | CLAMP,RUB CUSH,0.75,#12 X 3/8*.....93, 163, 277 |
| BRUSH ENDBELL ASSEMBLY (89719).....285 | CHAIN,NO.2 (11 LINKS).....305, 307, 309 | CLAMP,RUBBER,GM3.0L ENG.....168 |
| BRUSH HOLDER ASSY, 2500W GENER...285 | CHECK VALVE DISC.....227 | CLAMP-HEAVY DUTY.....117 |
| BULB,WORKLIGHT,12V 35W.....249, 251-252 | CIRCUIT BREAKER, 15A.....81 | CLEVIS YOKE-1/4-28,PLTD W/PIN.....95, 101, 123, 125-126, 173 |
| BUMPER, PLASTIC, 1.25 O.D.....187, 251-252, 255, 297, 305, 307, 309 | CIRCUIT BREAKER, 35A 3PH.....279 | CLIP,AIR CLEANER COVER (58247).....143, 155-156 |
| BUMPER,BATTERY BOX & RAILS...187, 251-252, 257, 301 | CIRCUIT BREAKER, AUTO RESET,6A.....125-126 | CLIP,AIR CLEANER END CAP***.....95, 103, 111, 139, 155-156, 161 |
| BUMPER,RUBBER***.....271 | CIRCUIT BRKR 15A TYPE 2 METAL.....125-126 | CLIP,LCD,GRND.CONTROL.....75-76, 81 |
| BUMPER,RUBBER,.75 X .50H,STUD.....257, 313 | CIRCUIT BRKR THERM AUTORESET 6.....79, 101, 155-156 | CLIP,SPRING,1/4-20 BLACK.....131, 133, 135 |
| BUMPER,RUBBER-1 X 1.25.....57-58, 61-62, 65-66, 85, 159, 165, 249 | CLAMP RISER CABLETRACK-LEFT.....57-58, 61-62, 65-66, 177 | COIL ASSY,IGNITION,TME27.....153 |
| BUSHING, STRAIN RELIEF, 1".....35 | CLAMP, 1.25 INCH TUBE.....303 | COIL IGNITION,TME27.....153 |
| BUSHING,FUEL TANK FITTING (SM).....57-58, 61-62 | CLAMP, 3 INCH.....129 | COIL, 12V, 19972/21623/29069.....221, 223 |
| BUTTON,PUSH,BLACK W/SEAL***.....193, 195-196, 199 | CLAMP, HOSE (53883).....97 | COIL, ELECTRONIC IGN., FORD.....147, 149 |
| BUTTON,PUSH,RED MUSHROOM HEAD.....76, 81, 191, 193, 195-196, 199 | CLAMP, HOSE, 1 EAR, 11/16.....137 | COIL, SOLENOID VALVE.....211 |
| | CLAMP, HOSE/CABLE.....163 | COIL,10V.....221, 223 |
| | CLAMP,0.31,#5 X 1/4,RUB CUSH.....111, 271, 289 | COIL,12V.....223 |
| | CLAMP,0.50,#8 X 1/4,RUB CUSH.....147, 195-196, 199, 305, 307, 309 | COIL,12V,DO1 VALVE.....285 |
| | CLAMP,0.63,#10 X 1/4,RUB CUSH.....153 | COIL,GREEN W/ 2 PIN CONNECTOR*.....205, 223 |
| | CLAMP,0.75,#12 X 1/4,RUB CUSH.....81, 108, 153, 163, 189, 193, 195-196, 199 | COIL,SOLENOID VALVE.....227 |
| | CLAMP,1.00,#16 X 1/4,RUB CUSH.....151, 283 | COIL,SOLENOID VALVE,20W.....217-218 |
| | CLAMP,1.00,#16 X 7/16,RUB CUSH.....155-156 | COIL,SOLENOID,HYDAC MANIFOLD.....225 |
| | CLAMP,1.13,#18 X 1/4,RUB CUSH...305, 307, 309 | COIL-10V DC***.....279 |
| | CLAMP,1.13,#18 X 3/8,RUB CUSH*.....279 | COIL-IGNITION/GM 3.0L ENGINE.....139, 167-168 |
| | CLAMP,1.25X.5 RUBBER-CUSHION.....184-185, 187, 255, 269, 297 | COLD START PKG,PERKINS,BB.....293 |
| | CLAMP,1.63,#26 X 3/8,RUB CUSH.....155-156 | COLD START,CONTINENTAL,Z80.....293 |
| | CLAMP,1.75,#28 X 3/8,RUB CUSH*.....147 | COLD START,DEUTZ 913 AND TURBO.....293 |
| | CLAMP,1.88,#30 X 1/4,RUB CUSH.....101 | COLD START,GM.....293 |
| | CLAMP,2 HOSE,PLASTIC,5/8.....133, 137, 163 | COLD WEATHER 120V J BOX ASSY.....295 |
| | CLAMP,2.5,#40 X 1/4,RUB CUSH.....103, 179 | COLD WEATHER 240V J BOX ASSY.....295 |
| | CLAMP,3.0,#48 X 1/4,RUB CUSH.....161 | COLLAR,JOYSTICK,CENTER.....203 |
| | CLAMP,3.0,#48 X 3/8,RUB CUSH.....179 | COMPRESSION LINK,MACHINED.....179 |
| | CLAMP,5.38,#86 X 3/8,RUB CUSH.....265 | CONN MAXI FUSE MODULE,4POS.....89, 91 |
| | CLAMP,CABLE TRACK RISER,R.S.....61-62, 65-66, 177 | CONN PLUG 3 WAY ENDCAP DT.....295 |
| | CLAMP,EXHAUST,2.00 PLATED.....108 | CONN PLUG 4 WAY EXTEND DT.....83 |
| | CLAMP,FORD MUFFLER,PAINTED.....147 | CONN RECEIPT,FLANGED.....83 |
| | CLAMP,HOSE 2 5/16-3 1/4.....95 | CONN, 520120-4-6 0.030 ORIFICE.....247 |
| | CLAMP,HOSE,.25" - .63" X .3125.....103, 108, 111, 135 | CONN, 520120-6.....235, 245, 247 |
| | CLAMP,HOSE,.50.....151, 153 | CONN, SAE#4-1/4" NPT.....279 |
| | CLAMP,HOSE,.63" - 1.0" X .5".....137 | CONN,520120-10-12.....281 |
| | CLAMP,HOSE,1.25***.....135, 263 | CONN,520120-16.....245 |
| | CLAMP,HOSE,1.75.....108, 131, 143, 149 | CONN,520120-24.....245 |
| | CLAMP,HOSE,1/2" DOUBLE.....179 | CONN,520120-4***.....235, 237, 239, 241, 243, 245, 247 |
| | CLAMP,HOSE,1EAR,25/32.....137 | CONN,520120-4-6***.....237, 239, 241, 243, 245, 247 |
| | CLAMP,HOSE,2.00***.....101, 103, 107-108, 111, 131, 133, 143, 147, 155-156, 263 | CONN,520120-6-8.....235, 239, 247 |
| | CLAMP,HOSE,2.25" DIA.....99, 139, 149 | CONN,520120-8***.....237, 239, 241, 243, 245, 247, 281 |
| | CLAMP,HOSE,2.50***.....111, 131, 143, 145, 153, 155-156, 161, 263 | CONN,520120-8-10.....245, 287 |
| | CLAMP,HOSE,3.00"...101, 103, 111, 129, 133, 141, 161, 263, 265, 267 | CONN,520120-8-12.....239, 241, 243, 245 |
| | CLAMP,HOSE,3.50.....125-126, 129, 133, 263 | CONN,8 POS PLUG 120 AC/15A.....285 |
| | CLAMP,HOSE,5.00.....263, 265 | CONN,ALT,3WAY,PERKINS 804.....103 |
| | CLAMP,HOSE,6.50.....263 | CONN,BULKHEAD,520801,-4.....247 |
| | CLAMP,HOSE,8.50 DIA***.....263 | CONN,DUAL RLY MODULE,10 POS.....89, 91 |
| | CLAMP,MUFFLER, 2.50 INCH.....101, 126, 129, 131, 145, 155-156, 265 | CONN,FEED THRU STUD.....91 |
| | | CONN,LONG,520122-4.....291 |
| | | CONN,PLUG 120 AC/15A DOMESTIC.....295 |
| | | CONN,PLUG 2 WAY,14-18GA.....295 |
| | | CONN,PLUG 23 WAY,16-20 GA BLK.....189, 195-196, 199 |
| | | CONN,PLUG 23 WAY,16-20 GA WHT.....79, 189, 195-196, 199 |

C

CABLE SQUEEZE CONN .63-.75.....279
 CABLE SQUEEZE CONN.....279
 CABLE TIE,11.5" BLACK.....283
 CABLE TIE,4" BLK,HEAT RESISTNT.....184-185
 CABLE TIE,DFT MOUNT,BLK,6.5".....107-108
 CABLE TRACK,STEEL 38 LINKS.....173
 CABLE,2/0 WELD LEAD,TWIN Z80L.....279
 CABLE,2/0 WELD LEAD,TWIN Z80U.....279
 CABLE,BATTERY POSITIVE.....159
 CABLE,GROUND,79" W/PIGTAIL.....159
 CABLETRACK,30 LINK,GRTRCU2-110.....177
 CAM/CRANK SENSOR,TME-27.....151
 CAP ASSY, COOLANT BOTTLE.....103, 143
 CAP, COOLANT RET SYS(54071).....99, 139
 CAP, OIL FILLER.....113
 CAP, SIDE OIL FILL, PERKINS.....93
 CAP,DIAGNOSTIC NIPPLE.....237, 239, 241, 243, 245
 CAP,DISENGAGE,4HP/4HB***38, 53, 55
 CAP,DUST.....35
 CAP,FUEL,DIESEL,1/8"VENT(GRN).....57-58
 CAP,FUEL,GAS,1/8"VENT(RED).....57-58, 61-62
 CAP,FUEL,GASOLINE 3.5PSI.....61-62, 65-66
 CAP,OIL FILL,TME27.....151
 CAP,OIL FILLER.....139, 167-168
 CAP,OIL FILLER, DEUTZ F4L913.....119
 CAP,OIL FILLER, PERKINS.....95
 CAP,RADIATOR,GM 3.0L ENG.....167-168
 CAP,RADIATOR,PERKINS(94232).....135
 CAP,RADIATOR,PERKINS/FORD.....99, 101, 107-108, 139
 CAP,RADIATOR,TME27.....153
 CAP-DISTRIBUTOR, GM 3.0L.....139, 167-168
 CAPACITOR 16 F, GEN.....289
 CASTING, WASHER, ENGINE ISOLAT.....165
 CASTING,AXLE COUNTERWEIGHT.....51
 CASTING,CHASSIS WEIGHT.....51
 CASTING,DRV.CHAS.COUNTERWEIGHT...51
 CASTING,SAE 4 PUMP MOUNT,MACHI.....105, 139
 CASTING,WASHER,REBOUND.....115
 CASTING,WASHER,REBOUND,PAINTED.149, 153

Part Description Index (continued)

| | | |
|---|--|---|
| CONN,PLUG 4 WAY,12-14GA.....79 | COVER,DRIVE CHASSIS,REAR ASSY.....47-48 | DECAL, INSTRUCTION, CONTACT ALARM.....303 |
| CONN,POWER RLY MODULE,4POS.....89 | COVER,FLYWHEEL CASTING.....129, 133 | DECAL, LABEL, PBAS VOLTAGE.....23 |
| CONN,RECEP 120AC/15A DOMESTIC.....87 | COVER,FOOT SWITCH.....184-185 | DECAL, LABEL,FUSE RELAY PANEL.....21 |
| CONN,RECEP 2 WAY ENDCAP DT.....295 | COVER,GFCI,HORIZONTAL,WEATHER..275, 277, 279 | DECAL, NOTICE TIRE SPECS.....17-18, 21 |
| CONN,RECEP 3 WAY ENDCAP DT.....295 | COVER,GRND.CTRL.BOX,PAINTED.....257 | DECAL, POWER TO PLATFORM 230V**.....17-18, 21, 25, 27, 29, 33 |
| CONN,RECEP 3 WAY, 14-18GA.....35 | COVER,PRI BM ASSY,REAR W/WORD.....173 | DECAL, PROTECTIVE CONVER, Z80.....25, 33 |
| CONN,RECEP 4 WAY,12-14GA FL***.....79, 83 | COVER,PRIMARY BOOM,PAINTED.....173 | DECAL, RELAY & FUSE PANELS.....21 |
| CONN,SQUEEZE,1/2NPT .38-.50,SM.....87, 275, 277, 289 | COVER,PROTECTIVE,JIB BOOM CYL.....263 | DECAL, SERVICE RECOVERY SWITCH...17-18, 27 |
| CONN,SQZ,BLK,1/2NPT,.38-.50,SM.....184-185 | COVER,PROTECTIVE,OSC.CYLINDER.....263 | DECAL, SYMBOL - READ THE MANUAL...27, 33 |
| CONN,SQZ,PG 11,.34-.47,W/O-RNG.....177 | COVER,PROTECTIVE,PLAT LEVL CYL.....263 | DECAL,ANNUAL INSP***.....17-18 |
| CONN. ASSY,7.9 TUBE X6.35 HOSE.....147 | COVER,PROTECTIVE,PRI.LIFT CYL.....263 | DECAL,ARROW BLUE.....21, 29 |
| CONN. SQZ,1/2NPT .39-.56 MED.....279, 289 | COVER,PROTECTIVE,RISERLIFT CYL.....263 | DECAL,ARROW YELLOW LRG 9".....17-18, 27 |
| CONN.SQZ,PG 11,.34-.47,W/ORING.....177 | COVER,PROTECTIVE,STEER CYL.....263 | DECAL,CAUTION,NO STEP.....17-18, 21, 27, 29 |
| CONNECTOR, DEUTZ FUEL SHUTOFF*.....125-126 | COVER,RELAY.....87 | DECAL,CAUTION,NO STEP***.....27, 29 |
| CONNECTOR, SAE10, QUICK CONN.....137 | COVER,REWORK,DEUTZ GENERATOR...273 | DECAL,CAUTION,SHUTOFF VALVES**.....27 |
| CONNECTOR,010102-6-4.....153 | COVER,RISER EXT.CYL. PAINTED.....177 | DECAL,CHEVRON RANDO HD.....17-18 |
| CONNECTOR,FEMALE,RECPTCLE,110V.289 | COVER,STEERING SENSOR.....35 | DECAL,CONTROL PANEL PROT 82281.....25, 33 |
| CONT FAN GUARD FT W/WORD DECAL.....153 | COVER,WEATHERPROOF 3-PHASE.....283 | DECAL,COSMETIC,4 X 2.....17-18, 27 |
| CONT RADR ASSY W/WORD DECAL.....153 | COVER,WELDER GENERATOR.....279 | DECAL,COSMETIC,4 X 4.....17-18, 27 |
| CONTACT ALARM WIRE ASSY, LARGE.....303 | CRANKSHAFT PULLEY,PERKINS 404F-22T.....107-108 | DECAL,COSMETIC,GENIE.....301 |
| CONTACT, N.C.....75-76, 81, 191 | CYLINDER HEAD COVER,PERKINS 404F.....107-108 | DECAL,COSMETIC,GENIE Z-80/60.....23, 31 |
| CONTACT,N.O.***.....75-76, 81 | CYLINDER HEAD CVR.DEUTZ F4L913.....121 | DECAL,COSMETIC,Z80.....21, 29 |
| CONTACTOR,LIMIT SWITCH.....177 | CYLINDER,JIB BOOM.....179 | DECAL,DANGER DO NOT ALTER SWTC.....21, 23 |
| CONTACTOR,LIMIT SWITCH**.....69-72, 177 | CYLINDER,OSCILLATE***.....47-48 | DECAL,DANGER,BATTERY SAFETY***.....21 |
| CONTROL BOX ASSY,DRIVECHASSIS.....47-48 | CYLINDER,PLATFORM LEVELING.....179 | DECAL,DANGER,ELEC.HAZ.STAY CLR....17-18, 21, 27, 29 |
| CONTROL BOX ASSY,TCON,Z80.....75-76 | CYLINDER,PRIMARY BOOM EXTEND.....175 | DECAL,DANGER,ELECT HAZARD***.....17-18, 21 |
| CONTROL BOX COVER ASSY***.....257 | CYLINDER,PRIMARY BOOM LIFT***.....171 | DECAL,DANGER,GEN SAFETY RULES....17-18, 25 |
| CONTROL BOX COVER,LID,PTD.....257 | CYLINDER,RISER LIFT.....171 | DECAL,DANGER,GENERAL SAFETY.....17-18, 25 |
| CONTROL BOX,2KW,120/240V,50HZ.....289 | CYLINDER,SECONDARY EXTEND.....177 | DECAL,DANGER,HIGH VOLTAGE.....21, 25, 279, 283 |
| CONTROL MODULE, TME27 2007.....156 | CYLINDER,STEER.....35, 43, 45 | DECAL,DANGER,MAX LOAD 227 KG**.....33 |
| CONTROL MODULE,(GCP),TME27.....156 | | DECAL,DANGER,MAX SIDE FRC,667N.....33 |
| CONTROLLER BOX, 120/240V, 60H.....289 | | DECAL,DANGER,NO SMOKING.....17-18 |
| CONTROLLER,GLOW PLUG (53883).....159 | | DECAL,DANGER,SIDE FRC 400N.....33 |
| COOLANT MOUNT W/DECAL FORD.....147 | | DECAL,DANGER,TILT ALARM.....25 |
| CORROSION INHIBITOR,FOAM.....81, 196, 199 | | DECAL,DANGER,TIP-OVER.....23 |
| COUNTERWEIGHT,Z80 7250LBS.....85 | | DECAL,DANGER,TIP-OVER,TIRES***.....17-18, 21 |
| COUPLER,15 TOOTH,FBA,PERKINS**.....111 | | DECAL,DANGER,TIP-OVER,WELDER**.....25, 283 |
| COUPLER,15 TOOTH,FBA,SAE8***.....105, 129, 133, 155-156 | | DECAL,DANGER,TIPOVER,TILT 135*.....25 |
| COUPLER,HUB,15 TOOTH 7/16BOLT*.....93, 105, 129, 149 | | DECAL,DANGER/NOTICE,TIRES,HIF.....17-18, 21 |
| COUPLER,HUB,15 TOOTH DEUTZ 913.....119 | | DECAL,DIESEL.....17-18, 27 |
| COUPLER,HUB,6 TOOTH GM 3.0L.....139 | | DECAL,DRIVE ENABLE PATCH***.....33 |
| COUPLER,HUM,15T X 50T.....155-156 | | DECAL,ENG.SPECS,CONTINENTAL.....21 |
| COUPLING (106113).....279 | | DECAL,ENGINE SPEC,DEUTZ,TD2011.....21 |
| COUPLING, 28MM (106113).....279 | | DECAL,EXPLOSION HAZARD.....21 |
| COVER ASSY W/ SYMBOL DECALS LH.....85 | | DECAL,FIRE EXTINGUISHER.....25, 283 |
| COVER ASSY,W/SYM DECALS-RH Z80.....85 | | DECAL,FUEL,DIESEL EXHAUST, PROP 65.....18 |
| COVER ASSY,W/WRD DECALS-RH Z80.....85 | | DECAL,FUNCTION OVERRIDE.....25 |
| COVER ASSY.WORD DECALS LH Z80.....85 | | DECAL,FUSE AND RELAY TME27.....21 |
| COVER PLATE,WHEEL DRIVE,HW3***.....38 | | DECAL,GROUND CONTROL PANEL,Z80.....17-18, 27 |
| COVER, END, GEN, 120V.....289 | | |
| COVER, END, GENERATOR, 240V.....289 | | |
| COVER, FOOT SWITCH, LARGE.....184-185, 187 | | |
| COVER,BLANK.....275, 277, 289 | | |
| COVER,CABLE 170.5".....259 | | |
| COVER,CONTROL BOX LEFT SIDE***.....257 | | |
| COVER,CONTROL BOX RIGHT SIDE**.....257 | | |
| COVER,DISCONNECT ROD*.....37-38 | | |
| COVER,DRIVE CHASSIS,FRONT ASSY.....47-48 | | |

D

DECAL KIT,Z80 COMP,SYM,ANSI.....27
 DECAL KIT,Z80 COMP,SYM,CE.....27
 DECAL KIT,Z80 COMP,WORD,ANSI.....17-18
 DECAL KIT,Z80 COMP,WORD,AU.....17-18
 DECAL KIT,Z80 COMP,WORD,AUS.....17-18
 DECAL KIT,Z80 PLAT,SYM,ANSI.....33
 DECAL KIT,Z80 PLAT,SYM,CE.....33
 DECAL KIT,Z80 PLAT,SYMBOL,ANSI/CE.....33
 DECAL KIT,Z80 PLAT,WORD,ANSI/AUS.....25
 DECAL KIT,Z80,COMP,SYM,ANSI.....27
 DECAL KIT,Z80,COMP,SYM,CE.....27
 DECAL KIT,Z80,COMP,WRD,ANSI.....17-18
 DECAL KIT,Z80,COMP,WRD,AUS.....17-18
 DECAL KIT,Z80,PLAT,SYM,ANSI/CE.....33
 DECAL KIT,Z80,PLAT,WORD,ANSI/AUS.....25
 Decal Kits are model, option or configuration specific. Refer to the kit instructions for proper configuration.....17-18, 25, 27, 33
 DECAL OPTION,NIKKEN,GS68.....285
 DECAL PLATE ASSY W/WORD DECALS.....184-185
 DECAL PLATE W/DECALS,S80/85 2K.....184-185
 DECAL PLATE W/SYM DECAL S80Z80...184-185
 DECAL PLATE W/WRD DECAL S80Z80..184-185
 DECAL, PLATFORM CONTROL PANEL.....25, 33
 DECAL, GROUND CONTROL Z80.....17-18, 27
 DECAL, INSTRUCTION, ACTUATOR SWITCH SOCKET.....303

- DECAL,INST,OPER INST,Z80,AUS.....17-18, 25
 DECAL,INSTR,MAX SIDE FRC,ANSI.....25
 DECAL,INSTR,SIDE FRC/WIND,AUS.....25
 DECAL,INSTRUCT,FOOTSWITCH OPER....25
 DECAL,LABEL, AIR LINE 110 PSI.....17-18, 25, 27, 33, 277
 DECAL,LABEL,106 DB***.....27
 DECAL,LABEL,113 DB***.....27
 DECAL,LABEL,30A CB.....21
 DECAL,LABEL,CB SYMBOL.....21, 29
 DECAL,LABEL,CONTROLS BATTERY.....21
 DECAL,LABEL,FALL HAZARD***.....31
 DECAL,LABEL,LIQUID PROPANE.....17-18, 27
 DECAL,LABEL,LOWER MIDRAIL.....25, 33, 184-185
 DECAL,LABEL,MANUAL NOT HERE.....25
 DECAL,LABEL,MAX CAPACITY***.....33
 DECAL,LABEL,NO SMOKING,SYMB.....27
 DECAL,LABEL,PATENTS.....17-18
 DECAL,LABEL,PETRO CANADA***.....17-18
 DECAL,LABEL,STARTER BATTERY.....21
 DECAL,LABEL,TIP OVER LMT SWTCH.....31
 DECAL,LABEL,TIPOVER,TILT AL SY.....33
 DECAL,LABEL,TIPOVER,TIRES,SYMB.....27, 29
 DECAL,LABEL,TIRE PRESS,HIFLOAT.....27, 29
 DECAL,LABEL,TRANSPORT DIAGRAM....17-18, 21, 27, 29
 DECAL,LABEL,UCON HYDROLUBE.....17-18
 DECAL,LABEL,UNLEADED GAS ONLY.....17-18, 27
 DECAL,LABEL,WELD LINE INST,SYM.....27, 33
 DECAL,LABEL,WHEEL LOAD Z80***...17-18, 21, 27, 29
 DECAL,LANYARD ANCHORAGE POINT...25, 33, 313
 DECAL,LOW/ULTRA LOW SULFR FUEL...17-18
 DECAL,MACHINE REGISTRATION/OWNER TRANSFER.....18, 27
 DECAL,NOTICE,DEUTZ ENG SPEC.....21
 DECAL,NOTICE,HAZARDOUS MAT'LS*.....21
 DECAL,NOTICE,MAX LOAD 500 LBS.....25
 DECAL,NOTICE,OPERATING INST.....17-18, 25
 DECAL,NOTICE,SHUTOFF VALVES.....17-18
 DECAL,PATCH,DRIVING LIGHT.....25, 33
 DECAL,PLAT CONTROL PANEL,Z80.....25, 33
 DECAL,PLAT LVL.RECOVERY.....189, 196
 DECAL,PLATFORM OVERLOAD PATCH.....33
 DECAL,POWER TO PLATFORM 115V.....17-18, 21, 25, 27, 29, 33
 DECAL,PROTECTOR,CLEAR***.....263
 DECAL,RELAY & FUSE PANELS.....21
 DECAL,SYMBOL-BATTERY SAFETY.....29
 DECAL,SYMBOL-COMP ACCESS.....29
 DECAL,SYMBOL-READ THE MANUAL.....301
 DECAL,T3 ENGINE SPEC.PERKINS.....21
 DECAL,TRACK,FALL ARREST BAR,SYMBOL.....313
 DECAL,TRACK,FALL ARREST BAR,WORD.....313
 DECAL,TRACK,FALL ARREST BAR,WORD FR.....313
 DECAL,TRIANGLE,BLUE.....17-18, 21, 27, 29
 DECAL,TRIANGLE,YELLOW....17-18, 21, 27, 29
 DECAL,WARN,CRUSH HAZARD HAND.....23
 DECAL,WARN,CRUSH HAZARD PLAT.....25, 33
 DECAL,WARN,FALL HAZARD.....23
 DECAL,WARN,IMPROPER OPERATION.....25
 DECAL,WARN.WELD LINE INST.WORD....17-18, 21, 25
 DECAL,WARNING,CANCER AND REPRODUCTIVE HARM, PROP 65.....17-18
 DECAL,WARNING,CRUSHING HAZARD.....31
 DECAL,WARNING,PANEL CRADLE.....25
 D E C A L , W A R N I N G , P I P E CRADLE,BOOM.....25, 297
 DECAL,WARNING,WELDER SAFETY.....283
 DECAL,WARNING-COMPART ACCESS.....21
 DEUTZ,AIRBOX WITH WORD DECALS...125-126
 DIAGNOSTIC FEMALE Q-DSCNT....237, 239, 241, 243, 245
 DIESEL OXIDATION CATALYST,PERKINS 404F.....107-108
 DIESEL PARTICULATE FILTER,PERKINS 404F.....107-108
 DIFFERENTIAL SENS VLV,8,150PSI.....227
 DIODE,6 AMP,200 PIV,BULK.....125-126, 285
 DIP STICK TUBE ASSY.....101
 DIPSTICK (53883).....95
 DIPSTICK - DEUTZ F4L1011F.....126
 DIPSTICK TUBE,PERKINS(403C-11).....111
 DIPSTICK, GM3.0L ENG.....167-168
 DIPSTICK, OIL (PERKINS 404).....111
 DIPSTICK,CONTINENTAL,TME27.....151
 DIPSTICK,DEUTZ F4L913.....119
 DIPSTICK-F3L1011F (DEUTZ).....126
 DISENGAGE, ROD.....53, 55
 DISTRIBUTOR/GM 3.0L ENGINE.....139, 167-168
 DRAIN PLUG.....71-72
 DRIVE PLATE,GM 3.0L ENG.....168
 DRIVING LIGHTS,FRONT,Z80,SERV.....249
 Due to Tier 4 regulations, many engine replacement parts require engine serial number at time of order placement. When ordering engine parts please have both machine and engine serial numbers available. For internal engine parts, contact engine deale....107-108
- ## E
- ECM, PERKINS 404F-22.....115
 ECM, SSI .79L / .97L.....167-168
 EDC ASSY,SAUER M46***.....233
 ELBOW.....167-168
 ELBOW,1/2"H X 3/8"P,TME27.....153
 ELBOW,130239-4-4.....61-62, 143, 151
 ELBOW,45 DEG,INLET.....117
 ELBOW,45 DEGR,RUBBER,2.5"i.D....141, 145
 ELBOW,45D,520320-12-16.....245, 281
 ELBOW,45D,520320-20.....245
 ELBOW,45D,520320-4.....247
 ELBOW,45D,520320-6.....245, 247
 ELBOW,90 DEG,3/8NPT X 1/2 FNPT.....143
 ELBOW,90 DEGR,RUBBER,2.5"i.D.*.....95, 103, 141, 155-156, 161
 ELBOW,90D, 070202-4.....70-72
 ELBOW,90D,1/4FPTX3/8MPT.....61-62, 65-66
 ELBOW,90D,520220-4-4.....235, 247, 287
 ELBOW,90D,520220-4-6***.....235
- ELBOW,90D,520220-6.....245, 247
 ELBOW,90D,520220-8-12.....245
 ELBOW,90D,BLKHD,ORFS-6-6 W/NUT.....247
 ELBOW,90D,LONG,521520-4.....247
 ELBOW,90DEG, .63 HS X.375 MPT.....143
 ELBOW,90DEG,5502-04-04-B.....153
 ELBOW,90DEG,1/4MPT-3/8 BARB.....103, 151
 ELBOW,90DEG,1/8MPT-5/16 BARB.....103, 143, 155-156
 ELBOW,INLET,CUMMINS.....117, 125-126
 ELEC. CONTROL MODULE, GM BB.....141
 ELEMENT,FUEL/WATER SEPARATOR.....13-14, 103
 ELEMENT,OIL FILTER,PERKINS***.....13-14, 101
 ELEMENT-5 MIC, PAPER, W/ BYPASS.....87
 ENCLOSURE,GENERATOR BOX.....275
 END COVER O-RING,WHEEL DRIVE.....38
 END COVER,WHEEL DRIVE ***.....38
 END STOP,TRACK,FALL ARREST BAR.....313
 ENGINE KIT, DEUTZ TD 2.9.....131
 ENGINE KIT, PERKINS 404F-22T.....107-108
 ENGINE MOUNT FOOT,LH PNTD.....145
 ENGINE MOUNT FOOT,RH PNTD.....149
 ENGINE MOUNT W/DECAL GM ENG T1...139
 ENGINE MOUNT,FRONT,DEUTZ PAINT....123
 ENGINE MOUNT,LEFT FRONT,TME27.....153
 ENGINE MOUNT,LF PAINTED.....101
 ENGINE MOUNT,LR PAINTED.....101
 ENGINE MOUNT,LR,DEUTZ 913 PNT.....123
 ENGINE MOUNT,LR,GM 3.0 PAINTED.....141
 ENGINE MOUNT,REAR,TME27.....151
 ENGINE MOUNT,RF PAINTED.....105
 ENGINE MOUNT,RIGHT FRONT,TME27.....151
 ENGINE MOUNT,RR.....105
 ENGINE MOUNT,RR,DEUTZ 913 PNT.....123
 ENGINE MOUNT,RR,GM 3.0 PAINTED.....141
 ENGINE PERFORMANCE MODULE T2*.....143
 ENGINE TRAY ASSY W/BEARINGS.....159
 ENGINE TRAY PIVOT ASSEMBLY.....159
 EPR, GM3.0L ENG.....168
 EVACUATOR VALVE-AIR CLEANER.....95, 103, 111, 139, 155-156, 161
 EXHAUST FLANGE,GM 3.0L ENG.....168
 EXHAUST PIPE ASSEMBLY, FORD.....143
 EXHAUST PIPE GASKET.....125-126, 129
 EXHAUST PIPE, TIER IV DEUTZ, Z.....131
 EXHAUST VALVE,PERKINS 404F.....107-108
 EXPANSION TANK,METAL,D2.9.....135
- ## f
- for a complete replacement of manifold 70243 or 88115, please order part 122096.....207
- ## F
- FAN - VENTED.....57-58, 62, 66
 FAN BELT, ALTERNATOR.....13-14
 FAN KIT ,GM 3.0 ENGINE.....139
 FAN SHROUD, PAINTED.....99
 FAN SHROUD,PERKINS 404F-22T....107-108
 FAN SPACER,29.7MM.....151
 FAN SPACER,3",DEUTZ 2.9L.....135
 FAN, LSG423/LRG425.....143
 FAN, PERKINS (53883).....97
 FAN, PERKINS 804C-33.....101
 FAN, PULLER 18", GM3.0L ENG.....167-168
 FAN, TME2.7L ENGINE.....151

Part Description Index (continued)

- FAN,10 BLADE,17",DEUTZ 2.9L.....135
 FAN,10 BLADE,17",PERKINS 404F.....113
 FAN,6 BLADE,17IN,PUSH.....151
 FEMALE BULKHEAD CONNECTOR-8.....277
 FIELD KIT,LCD HEATER.....75-76
 FIELD KIT,LCD HEATER,Z80 Z135.....75-76,
 81
 FIELD KIT,PL LVL REC,ALC1000.....189, 196
 FIELD KIT,PLAT LOAD SENSE,Z80*.....271
 FILLER NECK/CAP ASSY.HYD TANK*.....57-
 58
 FILTER / FUEL / SPIN-ON.....119
 FILTER ASSY,HIGH PRESS SAE-12*.....87
 FILTER ASY,M PRESS,SAE8,WOIND*
 (77139).....87
 FILTER ELEMENT,10 MICRON,60508.....13-
 14, 57-58, 61-62, 65-66
 FILTER ELEMENT,AIR,NOLFF LPG.....14, 143
 FILTER ELEMENT,BETA(10)=1000.....57-58,
 61-62, 65-66
 FILTER HEAD (29560).....119
 FILTER, DEUTZ 2.9, FUEL.....13-14, 137
 FILTER, FUEL LRG 425/423 EFL.....14, 57-58
 FILTER, FUEL, GM3.0L.....168
 FILTER, GAS, SAE J2044 FITTING.....14, 61-
 62, 65-66
 FILTER, OIL, FORD.....145, 149
 FILTER,AIR CLEANER,SUPERBOOM.....13-
 14, 117, 125-126, 133
 FILTER,AIR***.....13-14, 95, 103, 111, 139,
 155-156, 161
 FILTER,ELEMENT,30 MIC,75020.....13-14, 111
 FILTER,ELEMENT,BETA(5)=1000.....13-14, 87
 FILTER,FUEL,PERKINS.....13-14, 95, 111
 FILTER,FUEL/WATER SEPARATOR.....13-14
 FILTER,FUEL/WATER SEPARATOR***.....95,
 117
 FILTER,FUEL/WTR SEP, DTZ 1008.....13-14,
 126
 FILTER,OIL, DEUTZ F4L913.....13-14, 119
 FILTER,OIL,DEUTZ F4L1011F.....13-14, 126,
 131
 FILTER,OIL,DEUTZ,REPLACEMENT.....126,
 131
 FILTER,OIL,FORD.....14, 145, 149
 FILTER,OIL,PERKINS 704-30 (BB).....13-14,
 95
 FILTER,RETURN,ASSY 10 MICRON....57-58,
 61-62, 65-66
 FILTER-FUEL, GM 3.0L ENGINE.....14, 57-58,
 139
 FILTER-LPG, GM 3.0L ENGINE.....14, 139, 143
 FILTER-OIL,GM 3.0L ENGINE.....14, 139, 167-
 168
 FIRE EXTINGUISHER.....283
 FIRE SLEEVE, 1.25".....283
 FIRE SLEEVE, 2.0".....283
 FITTING KIT, EPR VALVE.....153
 FITTING PLUG,#8.....151
 FITTING, FUEL PUMP, GM3.0L.....168
 FITTING, GM3.0L ENG.....167-168
 FITTING,1/4 NPT X SAE J2044.....61-62, 65-
 66, 151
 FITTING,6-6BLKHEADUNION 520601.....247
 FITTING,CONN,16MM-6MJ.....137
 FITTING,CONN,16MM-8MJ.....137
 FITTING,CONN,520120-12***.....235, 237, 239,
 241, 243, 245, 281, 287, 291
 FITTING,ELBOW,45D,520320-12***.....235,
 237, 239, 241, 243, 245, 281
 FITTING,ELBOW,45D,520320-4-6**.....237,
 239, 241, 243
 FITTING,ELBOW,8GS-8FJX90S.....137
 FITTING,ELBOW,90D,520220-12.....245, 287
 FITTING,ELBOW,90D,520220-8***.....245, 287
 FITTING,GM 3.0L ENG.....168
 FITTING,OIL PAN BREATHER,TME27.....153
 FITTING,PCV TO VLV COVER,TME27.....153
 FITTING,STR,1/8NPT X 3/16 HB.....151
 FITTING,STR,3/8 HS X 9/16-18,J.....137
 FITTING,TEE,RUN,SWIVEL520432-4.....237,
 239, 241, 243, 247
 FITTING,TEE,RUN,SWIVEL52043212.....281,
 287, 291
 FITTING,THROTTLE BODY,GM3.0L
 ENG.....168
 FITTINGS, LIFT PUMP INLET PORT.....95
 FIXED END BRACKET.....173
 FLANGE,EXHAUST,GM3.0L ENG.....167-168
 FLASHTUBE,STRAIGHT,360DEG,BULB....249
 FLASHTUBE,U SHAPED,360DEG,BULB...249
 FLEX PIPE,EXHAUST,2.5" DIA.....129
 FLEX PLATE,COUPLER (64079).....149
 FLGHCS,1/2-13X1.50,GR8,BLK PH.....111,
 133, 163
 FLOOR MOUNT D-RING KIT.....251-252
 FLOORING, 6'FT PLATFORM.....184-185
 FLOORING, 6FT PLAT,SIDE.....187
 FLOORING,4 FT PLATFORM,PAINTED...184-
 185
 FLOORING,8 FT PLATFORM**.....184-185,
 187
 FLYWHEEL CONTINENTAL TME27.....151
 FLYWHEEL DRIVE PLATE,SAE 10.....119
 FLYWHEEL FLANGE,AUTO STYLE GM.....139
 FLYWHEEL FLANGE,GREEN PLASTIC.....93,
 105, 129, 155-156
 FOAM PAD, 3" OD X 1.25" ID X 14 IN.....269
 FOAM,AIRCRAFT PROTECTION.....309
 For internal engine parts, contact engine
 dealer.....137
 FORMING PANEL CRADLE.....269
 FORMING, CLAMP, BATTERY CABLE.....133
 FORMING, COVER, FUSE PANEL.....115
 FORMING, ECM COVER, Z80.....115, 137
 FORMING, ENGINE HARNESS
 SUPPOR.....137
 FORMING, ENGINE MOUNT, LH.....115
 FORMING, ENGINE MOUNT, RH.....115
 FORMING, EXHAUST SUPPORT, PER.....108
 FORMING, FUSE PANEL, Z80.....115
 FORMING, HOSE COVER.....179
 FORMING, INTAKE BAFFLE, Z80 DE.....131
 FORMING, OPA CAGE.....301
 FORMING, OPA CAP.....301
 FORMING, OPA, BRACKET.....301
 FORMING, SENSOR HOLDER.....303
 FORMING, SOLENOID MOUNT***.....126
 FORMING, TAIL PIPE SUPPORT, Z8.....131
 FORMING,6-CORE RADIATOR MOUNT,...131
 FORMING,8.5' MUFFLER MOUNT.....105, 129
 FORMING,AIR CLEANER MOUNT PNTD..129
 FORMING,AIR CLEANER MOUNT,PTD...155-
 156
 FORMING,BAFFLE PLATE COVER.....265
 FORMING,BAFFLE,Z80,GM3.0L.....161
 FORMING,BELT GUARD PAINTED.....105
 FORMING,CONTROL BOX MOUNT.....57-58,
 62, 65-66
 FORMING,COVER STOP,PAINT.....85
 FORMING,COVER,REAR AXLE.....48
 FORMING,DRIVE LIGHT LT,Z80.....249
 FORMING,DRIVE LIGHT,RT,Z80.....249
 FORMING,DUETZ INTAKE BAFFLE.....117
 FORMING,ECM MOUNT PAINTED.....145
 FORMING,ENGINE MOUNT PAINTED.....126,
 129
 FORMING,FAN GUARD,FORD,PAINTED...143
 FORMING,FAN SHROUD STRUT
 MOUNT.....133, 135
 FORMING,FILTER BRACKET,P.....87
 FORMING,FRONT ENGINE MOUNT.....141
 FORMING,FUEL TANK TRAY.....57-58, 61-
 62, 65-66
 FORMING,GENERATOR MOUNT.....273
 FORMING,GENERATOR MOUNT
 PAINTD.....273
 FORMING,GENERATOR MOUNT,PTD.....273
 FORMING,GM INTAKE BAFFLE.....139
 FORMING,HEAT SHIELD.....143
 FORMING,HEAT SHIELD,EXH PIPE.....155-
 156
 FORMING,HEAT SHIELD,FORD.....143
 FORMING,HEAT SHIELD,MUFFLER.....126
 FORMING,HEAT SHLD SUPPORT,PTD.....143
 FORMING,HINGE MOUNT.....85
 FORMING,HOSE CHAFE PROTECTOR...57-
 58, 61-62, 65-66
 FORMING,HOSE COVER,JIB.....179
 FORMING,INNER HANGER.....313
 FORMING,INTAKE BAFFLE,DEUTZ.....125-
 126
 FORMING,INTAKE BAFFLE,Z80.....125-126
 FORMING,INTAKE TUBE BRCKT,PTD.....155-
 156
 FORMING,INTAKE TUBE SUPPORT,PT...265
 FORMING,LATCH,CTRL BOX LID PTD.....257
 FORMING,LH MUFFLER SUPPORT
 PNT.....147
 FORMING,LIMIT SWITCH MOUNT.....173
 FORMING,LP BRACKET MOUNT.....299
 FORMING,MANIFOLD SUPPORT.....57-58,
 61-62, 65-66
 FORMING,MUFFLER CLAMP, PAINTED....147
 FORMING,MUFFLER MOUNT.....126
 FORMING,PERKIS GEN.BRKT.PAINT.....273
 FORMING,PINION GUARD PAINTED.....70-72
 F O R M I N G , P R E C L E A N E R
 SUPPORT,PNT.....265
 FORMING,RADIATOR BAFFLE,PTD.....155-
 156
 FORMING,RADIATOR SUP PNTD.....149
 FORMING,RADIATOR SUPPORT,LH.....147
 FORMING,REGULATOR MOUNT
 PAINTD.....275
 FORMING,RETRACT LIMIT SWITCH.....177
 FORMING,RH MUFFLER SUP PAINTED...147
 FORMING,RISER CABLE TRACK PULL....177
 FORMING,RISER EXT.CYL.PAINTED.....177
 FORMING,SECONDARY SUPPORT.....269
 FORMING,SOLENOID MOUNT.....111
 FORMING,SOLENOID MOUNT
 PAINTED.....126
 FORMING,STRUT SUPPORT.....85
 FORMING,SWITCH BRACKET PAINTED...177
 FORMING,SWITCH MOUNT.....48

| | | |
|---|--|--|
| FORMING, TANK SUPPORT.....57-58, 62, 65-66 | GASKET, CYL HEAD COVER, 404F-22T...107-108 | GROMMET RUBBER .375X1.00X.1875...133, 135 |
| FORMING, THROTTLE ARM DEUTZ.PTD.....123 | GASKET, CYL HEAD COVER, TME27.....151 | GROMMET, PCV TUBE, GM3.0L ENG.....167-168 |
| FORMING, THROTTLE ARM PAINTED.....125-126 | GASKET, CYL COVR. DEUTZ F4L913.....121 | GROMMET, PCV.....167-168 |
| FORMING, TRNTBL LOWER CNTR CVR.....87 | GASKET, ENCLASURE.....301 | GROMMET, RUBBER .38X1.38X1.0.....137 |
| FORMING, TRNTBLE UPPER CNTR CVR.....57-58, 61-62, 65-66 | GASKET, EXHAUST, DEUTZ F4L913.....117 | GROMMET, RUBBER .75 X .38 X 1.13.....87, 159 |
| FREEZE PLUG HEATER, GM 3.0L.....139, 293 | G A S K E T , E X H | GROMMET, RUBBER 3 X .13 X 3.25.....117 |
| FREEZE PLUG HEATER, PERKINS 804.....293 | FLANGE-FORD/PERKINS.....143, 156 | GROMMET, RUBBER, 1.0 X 1.25X1.5.....137 |
| FRONT STEER AXLE ASSY. Z80.....35, 43 | GASKET, EXHAUST 2INCH, 2BOLT.....151 | GROUND CONTROL BOX, ASS (Z80).....75-76 |
| FUEL FILTER ASSEMBLY.....111 | GASKET, EXHAUST FORD TIER II.....143 | GROUND CONTROL BOX, PTD.....75-76 |
| FUEL FILTER W/SEP, DEUTZ, 1008.....126 | GASKET, EXHAUST MANIFOLD, PERK.....113 | GUARD, HOSE PROTECTOR.....48, 173 |
| FUEL INJECTION PUMP, PERKINS 404F-22T.....107-108 | GASKET, EXHAUST MANIFOLD, PERKINS...103 | GUARD, SWING GATE.....255 |
| FUEL LIFT PUMP/FILTER ASSY.....103 | GASKET, EXHAUST MANIFOLD, PERKINS 404F-22T.....107-108 | GUARD, FAN REAR, TME27.....153 |
| FUEL LINE, INJECT.1 DEUTZ F4L913.....119 | GASKET, GROUND CONTROL BOX.....75-76, 81 | GUARD, FAN, FRONT, TME27.....153 |
| FUEL LINE, INJECT.2 DEUTZ F4L913.....119 | GASKET, LIFT PUMP, PERKINS 404F-22T.....107-108 | GUARD, FAN, PERKINS 404F-22T.....107-108 |
| FUEL LINE, INJECT.3 DEUTZ F4L913.....119 | GASKET, MANIFOLD, COOLANT, TME27...155-156 | G U A R D , F O O T S W I T C H , W / D E C A L |
| FUEL LINE, INJECT.4 DEUTZ F4L913.....119 | GASKET, MUFFLER PERKINS(53883).....93, 141 | ALUM.....184-185 |
| FUEL PICKUP, 3/8X1/4NPT X 2200.....61-62 | GASKET, PCV FITTING, TME27.....153 | GUIDE, CABLE.....303 |
| FUEL PRESSURE REG, 425EFI***.....14, 147 | GASKET, PLATFORM CONTROL BOX.....189, 193, 195-196, 199 | |
| FUEL PUMP, TME 2.7L ENGINE.....61-62, 65-66 | GASKET, SOLENOID, PERKINS 72350.....111 | H |
| FUEL RAIL, TME27.....151 | GASKET, T/S HSG, GM 3.0L ENG.....167-168 | HALF MESH, 8' PLATFORM, LH.....297 |
| FUEL RETURN, DAPCO 1/4".....57-58 | GASKET, T/STAT COVER, GM 3.0L ENG.....167-168 | HALF MESH, 8' PLATFORM, RH***.....297 |
| FUEL RETURN, DAPCO 18.75.....57-58 | GASKET, THERM. HSG O-RING.....149 | HARN JOYSTICK ADAPTOR JS100.....201, 203 |
| FUEL RETURN, DAPCO 5/16".....57-58 | GASKET, THERMOSTAT, TME27.....155-156 | HARN LS SAFETY SEC ANGL LSS2AS....69-72 |
| FUSE HOLDER, ATC, 8POS 2BUSS.....115 | GASKET, TIMMING CASE COVER.....97 | HARN LS SAFETY SEC RET LSS1RS.....177 |
| FUSE HOLDER, WATERPROOF.....249 | GASKET, WATER OUTLET/GM 3.0L.....139 | HARN, AC PROTECTION BYPASS....305, 307 |
| FUSE PANEL, FORMING, Z80, PAINTED.....91 | GASKET, WATER PUMP.....167-168 | HARN, DRIVE CHASSIS, 4WS.....47-48 |
| FUSE, .6AMP, 250V, WELDER, V275S.....283 | GASKET-PUMP WATE, PERK 804D-33T.....101 | HARN, ENG, CONT, TME27, Z80.....155-156 |
| FUSE, 10 AMP.....279 | GASKET-THERMOSTAT HSG.....113 | HARN, PIGTAIL, TAPESWITCH, OPA.....301 |
| FUSE, 13 AMP, 220V PLUG.....87 | GASKET-THERMOSTAT/GM 3.0L ENGI.....139 | HARN, PLATFORM, OPA, ALC1000.....301 |
| FUSE, 15A SWITCH (62823).....115 | GASKET-TURBOCHARGER, PERKINS 404D/F-22T.....107-108 | HARNASS ASSY, PCON, PROX KILL.....309 |
| FUSE, 20 AMP, AGC20.....249 | Gasoline/LPG fuel tanks.....57-58 | HARNASS for GENERATOR W/REG.220V.....275 |
| FUSE, 20 AMP, MAXI.....13-14, 89, 91 | GATE LATCH CASTING--DRILLED.....251-252 | HARNASS for GENERATOR W/REGULATOR.....275 |
| FUSE, 30 AMP.....13-14, 89, 91 | GAUGE, FUEL LEVEL, 20/30 GAL.....65-66 | HARNASS PRIM BOOM SAE 11C 2010...189, 195-196, 199 |
| FUSE, 60 AMP, MAXI.....89, 91 | GAUGE, MED.PRESSUR FILTER, 50530.....57-58, 61-62, 65-66 | HARNASS SEC BOOM SAE 11C 2010.....79 |
| | GAUGE-SIGHT, LHA-LGTB***...57-58, 61-62, 65-66 | HARNASS TCON LIMIT SW Z80 2010.....79, 83 |
| G | GEN, HYD, 3000W, 110V, 60HZ.....285 | HARNASS TCON MANIFOLD Z80 2010.....79, 83 |
| GAS STRUT, 250 LBS FORCE***.....85 | GENERATOR, 3kW, 120V/60Hz.....289 | HARNASS, 120V BATT CABLE, 84".....295 |
| GASKET (CLEAN EMISN MOD), PERKINS 404F-22T.....107-108 | GENERATOR, 12.5 KW, W/O MOTOR***.....279 | HARNASS, 120V POWER CORD, 12".....295 |
| GASKET (TURBOCHGR EXH), PERKINS 404D/F-22T.....107-108 | GENERATOR, 2500W HYD.220/50HZ.....285 | HARNASS, 240V BATT CABLE, 84".....295 |
| GASKET, (226127).....101 | GENERATOR, 3000W, 220V, 50HZ***.....273 | HARNASS, 240V POWER CORD, 12".....295 |
| GASKET, CYL HEAD, GM3.0L ENG...167-168 | GENERATOR, 3500W, 120V, 60HZ**.....273 | HARNASS, CONTACT ALARM, ALC1000.....303 |
| GASKET, DOUNUT, GM3.0L ENG.....168 | GENERATOR, 3kW, 120V/50Hz.....289 | HARNASS, DEUTZ 2.9, Z80.....83, 131 |
| GASKET, EXHAUST MANFLD/GM 3.0L.....139 | GENERATOR, 3kW, 240V/50Hz.....289 | HARNASS, DRIVE LIGHTS, Z80.....249 |
| GASKET, FUEL LEVEL SENDER, Z80.....65-66 | GENERATOR, HYDRO-12KEP-21-3.....279 | HARNASS, EXTENSION, 404F-22.....107-108 |
| GASKET, GM3.0L ENG.....168 | GFCI, 50A, 3PH.....279 | HARNASS, FAN BELT SWITCH.....121 |
| GASKET, INT/EXH, GM3.0L ENG.....168 | GFI/CIRCUIT BREAKER ASSEMBLY.....279 | HARNASS, GROUND BOX, TIER IV.....83 |
| GASKET, INTAKE, GM3.0L ENG.....168 | GLOW PLUG (PERKINS 404-22).....113 | HARNASS, JUMPER, CAN, TIER 3.....79 |
| GASKET, OIL PAN, GM3.0L ENG.....168 | GLOW PLUG, DEUTZ F4L913.....121 | HARNASS, JUMPER, GND, TBOX.....277 |
| GASKET, OIL PLUG, GM3.0L ENG.....168 | GM 3.0, LP REGULATOR.....167-168 | HARNASS, PCON, TOG SW, ALC1000.....193, 195-196, 199 |
| GASKET, OIL SEAL, GM3.0L ENG.....167-168 | GM GENERATOR, 3500W 110/60-W/RG.....273 | HARNASS, SEC BOOM SAE 11C, Z80.....79, 83 |
| GASKET, PUMP / MOTOR (36179).....57-58 | GREASE, DIELECTRIC 4 OZ**.....13-14 | HARNASS, SWITCH, LIMIT, TCON.....79, 83 |
| GASKET, THERMOSTAT (53883).....97 | GRIP, CABLE.....303 | HARNASS, TME27 ENGINE, EPA2006.....155-156 |
| GASKET, TIMING CHAIN, GM3.0L.....167-168 | GRND BOX, COMPLETE ASSY Z80.....75-76 | HARNASS, WORK LIGHTS, Z80.....255 |
| GASKET, UK POWER TO PLAT.....275 | GRND BOX, COMPLETE Z80 REV 102.....75-76 | HARNASS, #8AWG BATT TO SEPERATR.....159 |
| GASKET, VALVE COVER, GM3.0L ENG.....167-168 | GRND BOX, COMPLETE Z80 REV 103.....75-76 | |
| GASKET, WATER PUMP.....149 | | |
| GASKET, BREATHER PIPE (226104).....129 | | |
| GASKET, COVER, GFCI, WEATHERPROOF.277, 289 | | |

Part Description Index (continued)

| | | |
|---|---|---|
| HARNASS,APU TO ENGINE BLOCK...57-58, 61-62, 65-66 | HARNASS,TME27 STARTER RELAY.....151 | HOSE ASSY,3/4",10-12 90 F,ST F.....281 |
| HARNASS,BATT TO APU SOLENOID.....57- 58, 61-62, 65-66, 159 | HARNASS,UPPER LIMIT SWITCH/PBA.....173 | HOSE ASSY,3/4,45 FEM,STR FEM.....245 |
| HARNASS,CONTINENTAL ENG,TME27....79, 151 | HARNASS,WELD GEN ENCLOSURE.....279, 285 | HOSE ASSY,3/4,90 FEM,STR FEM.....237, 239, 241, 243, 245, 281, 291 |
| HARNASS,DEUTZ ENGINE,BF4L2011.....79, 125-126 | HARNASS,WELD GENERATOR,Z80.....279 | HOSE ASSY,3/4,90 FEM,STR FEM**.....237 |
| HARNASS,DEUTZ ENGINE,F4L913.....79, 117 | HARNASS,WORK LIGHTS.....251-252 | HOSE ASSY,3/4,STR FEM,STR FEM.....235, 237, 239, 241, 243, 245 |
| HARNASS,DRIVE CHASSIS 2WS.....47-48 | HARNASS-B,TME27 ENGINE,EPA2007.....151 | HOSE ASSY,3/8 STR FEM-STR FEM.....247 |
| HARNASS,DRIVE LIGHTS.....249 | HEAT SHIELD INJECTOR,TME27.....151 | HOSE ASSY,3/8,90 FEM,STR FEM.....247 |
| HARNASS,ENG,CONT, TME27, Z80.....155- 156 | HEAT SHIELD,DEUTZ TD2.9L.....131 | HOSE ASSY,DEUTZ OIL DRAIN 1/2".....117 |
| HARNASS,ENG,DEUTZ,BF4L2011,Z80...125- 126 | HEAT SHIELD,FUEL RAIL,TME27.....151 | HOSE ASSY,LP GAS,120"LG.....151 |
| HARNASS,ENG,PERKINS, 804, Z80....79, 101 | HEATER HOSE,1/4".....135 | HOSE ASSY,OIL DRAIN,TME27.....151 |
| HARNASS,ENG/HYD HEATER,120V.....295 | HEATER,FREEZE PLUG,FORD LRG423...293 | HOSE ASSY,SAE J2260/J2044,1END....61-62 |
| HARNASS,ENG/HYD HEATER,240V.....295 | HINGE CASTING.....251-252 | HOSE ASSY,SAE J2260/J2044,2END.....61- 62, 65-66 |
| HARNASS,ENGINE W/RELAY BOX T2.....143, 145 | HINGE, SPRING, LONG LEG.....187 | HOSE ASSY, 1/2" AIR LINE.....277 |
| HARNASS,FLASHING BEACON.....249 | HINGE, .375X.120THK.,SLOTTED.....85 | HOSE END,BARB,1/4 MNPTX5/16,90.....103 |
| HARNASS,FORD ENGINE,EFI,2004.....143 | HINGE,PLAT CONTROL BOX COVER.....257 | HOSE END,BARBED,SWIVEL,JIC,8-8.....117 |
| HARNASS,FORD ENGINE,Z80.....79 | HOLDER, SENSOR.....303 | HOSE FITITNG,BRASS,AIR CLEANER.....143 |
| HARNASS,GM ENGINE Z-80.....79, 139 | HOOK,BATT HOLD DOWN,10".....159 | HOSE, FUEL, GM3.0L ENG.....167-168 |
| HARNASS,GND,BATT 1 TO BATT 2.....159 | HORN,12VDC,SPADE TERMINALS***.....87 | HOSE, OVERFLOW.....167-168 |
| HARNASS,GND,PCON.....189 | Hose Assembly - Components: Genie part numbers 48827, 48822 and 48756 @ 25 inches.....287 | HOSE, RAD, LOWER, GM3.0L ENG.....167- 168 |
| HARNASS,GROUND CONTROL,Z80.....75-76 | HOSE ASSEMBLY 3/8".....247 | HOSE, UPPER RADIATOR, DEUTZ D.....131 |
| HARNASS,GROUND PANEL.....75-76, 79 | HOSE ASSEMBLY,1".....245 | HOSE, VAPOR, GM3.0L ENG.....167-168 |
| HARNASS,JUMPER,MEGAJECTOR.....147 | HOSE ASSEMBLY,1/2".....239, 241, 243 | HOSE, VAPORIZER.....167-168 |
| HARNASS,JUMPER,MTE GEN,Z80.....289 | HOSE ASSEMBLY,3/4",-10-12 90F.....281 | HOSE, WATER PUMP (53383).....97 |
| HARNASS,LOWER SWITCH.....79 | HOSE ASSEMBLY,3/8".....237, 239, 245 | HOSE, .375",SAE 30R7,10" LG.....111 |
| HARNASS,LS,OP,DRIVE ENABLE.....69-72 | HOSE ASSEMBLY,LP GAS 174" LONG....167- 168 | HOSE,1/4 FUEL LINE,SAE 30R7.....125-126 |
| HARNASS,LS,OP,JIB.....179 | HOSE ASSEMBLY,LP GAS,106"LG.....143 | HOSE,1/4 VACUUM.....147 |
| HARNASS,LS,OP,OSCILLATE,LH.....48 | HOSE ASSY 1/2, 90 FEM, STR FEM.....281 | HOSE,2.0 ID X 2.0" LG.....145, 147 |
| HARNASS,LS,OP,OSCILLATE,RH.....48 | HOSE ASSY 1/4,90 DEG FEM,STR F.....287 | HOSE,3/4,LP.....147 |
| HARNASS,LS,OP,PRI.,ANGLE.....177 | HOSE ASSY 1/4,STR FEM,STR FEM.....235 | HOSE,3/8",FUEL,30R7.....103 |
| HARNASS,LS,OP,PRI.,RETRACT.....173 | HOSE ASSY 3/4" 90 DEG STR FEM.....245, 287, 291 | HOSE,5/16 FUEL,SAE 30R7.....103, 125-126 |
| HARNASS,LS,OP,PRI.EXT.....173 | HOSE ASSY 3/4, 90 FEM,STR FEM...245, 281 | HOSE,AIR 3/8.....35 |
| HARNASS,LS,OP,SEC.,ANGLE.....171 | HOSE ASSY 3/8, 90 FEM, STR FEM.....247 | HOSE,AIR CLEANER TO INTAKE.....143 |
| HARNASS,LS,OP,SEC.35DEG ANGLE.....69- 72 | HOSE ASSY 3/8, STR FEM,STR FEM.....235, 245, 247 | HOSE,AIR CLEANER TO MIXER.....155-156 |
| HARNASS,LS,OP,SEC.ANGLE.....69-72 | HOSE ASSY, 1/4", 87.00.....241 | HOSE,AIR INLET.....161 |
| HARNASS,LS,OP,SEC.RETRACT.....177 | HOSE ASSY, 1/4", 89.00.....235, 243 | HOSE,AIR INTAKE 2.50" I.D.....95 |
| HARNASS,LS,SAFETY,SEC.ANGLE.....69-72 | HOSE ASSY,1 1/2" 90 FLG FEM.....245 | HOSE,AIR INTAKE 2.50" ID.....101 |
| HARNASS,LS,SAFETY,SEC.RETRACT.....177 | HOSE ASSY,1 1/4"STR FEM,STR FE.....245 | HOSE,AIR INTAKE,FORD EFI***.....141 |
| HARNASS,PBOX JOYSTICKS.....189 | HOSE ASSY,1/2",90 FEM,STR FEM.....291 | HOSE,ASSY,HYD,1/2".....281 |
| HARNASS,PBOX,JOYSTICKS,Z80...189, 195- 196, 199 | HOSE ASSY,1/2,45 FEM,STR FEM.....243, 245 | HOSE,CLEANAIR,90DEG,2.25X2.5.....161 |
| HARNASS,PCON J2 MANIFOLD Z-80.....189 | HOSE ASSY,1/2,90 FEM,STR FEM.....237, 239, 241, 243, 245, 247, 287 | H O S E , E X P A N S I O N TANK,COMPENSATION.....135 |
| HARNASS,PCON SWITCH PANEL...189, 195- 196, 199 | HOSE ASSY,1/2,90 FEM,STR FEM**.....241 | HOSE,FUEL,5/16 HIGH PRESSURE**.....147 |
| HARNASS,PERKINS ENGINE,704-30....79, 93 | HOSE ASSY,1/2,90 FEM,STR FEMM.....241, 243 | HOSE,HUMP 3" TO 4".....265 |
| HARNASS,PERKINS ENGINE,804.....79, 101 | HOSE ASSY,1/2,STR FEM,STR FEM.....245, 247 | HOSE,LOWER RADIATOR, 2.9L DEUT.....131 |
| HARNASS,PERKINS,TIER4,Z80.....83, 107- 108 | HOSE ASSY,1/2,STR FEM,STR FEM*.....241 | HOSE,LOWER RADIATOR, TME27.....153 |
| HARNASS,PLAT LEVEL RECOVERY.....189, 196 | HOSE ASSY,1/4"(#111/112,S125).....247 | HOSE,LOWER RADIATOR,PERK.....107-108 |
| HARNASS,POWER TO PLAT,LOWER.....87 | HOSE ASSY,1/4,45 FEM,STR FEM.....237, 239, 241, 245 | HOSE,LOWER RADIATOR,Z45.....143 |
| HARNASS,POWER TO PLAT,UPPER.....87 | HOSE ASSY,1/4,90 FEM,STR FEM.....237, 239, 241, 243, 247 | HOSE,RADIATOR,LOWER,PERKINS.....101 |
| HARNASS,POWER Z-80.....79 | HOSE ASSY,1/4,90 FEM,STR FEM**.....237, 239, 241, 243, 291 | HOSE,RADIATOR,UPPER,PERKINS.....101, 103 |
| HARNASS,PRIMARY BOOM SAE CABLE.....189 | HOSE ASSY,1/4,STR FEM,STR FEM.....235, 237, 239, 241, 243, 247 | HOSE,REDUCER,OFFSET,TURBO INLE...133 |
| HARNASS,PROX SENSOR,ACP.....305, 307 | HOSE ASSY,1/4,STR FEM,STR FEM*.....235, 241, 247 | HOSE,RUBBER 3"ID X .25 BLACK.....133 |
| HARNASS,PROX.KILL.....305, 307 | HOSE ASSY,14,90 FEM,STR FEM.....247 | HOSE,RUBBER 3"ID X .25 BLACK X 6.00 LG.....133 |
| HARNASS,RPM SOLENOID RELAY***.....93 | HOSE ASSY,3/4 90LG FEM,STR FEM.....239, 241, 243 | HOSE,UPPER RADIATOR, TME27.....153 |
| HARNASS,SECONDARY,BOOM CABLE.....79 | HOSE ASSY,3/4" HYD,45F,STRF.....287 | HOSE,UPPER RADIATOR,PERK.....108 |
| HARNASS,STARTER RELAY TME27.....155- 156 | HOSE ASSY,3/4" STR-STR.....237 | HOSE,UPPER RADIATOR,Z45.....143 |
| HARNASS,TCON J4 MANIFOLD.....79 | | HOSTILE ENVIRONMENT,DEUTZ.....265 |
| | | HOSTILE ENVIRONMENT,GM.....265 |
| | | HOSTILE ENVIRONMENT,PERKINS.....265 |
| | | HOUSING,LIGHT FIXTURE(57449).....275 |
| | | HOUSING,PUMP MOUNT (64079).....149 |
| | | HOUSING,THERMOSTAT (53883).....97 |
| | | HOUSING,THERMOSTAT,GM 3.0L ENG.....167-168 |

HUB ASSY W/RACES.....35
 HUB RACE,INNER.....35
 HUB RACE,OUTER.....35
 HUBBLE NUT, PG11.....295
 HYD.FLUID,FIRE RES.QUINTOLUB**.....17-18

I

IGNITION UNIT,PERKINS 404F-22T.....107-108
 INJECTOR,FUEL W/ORINGS GM3.0L.....141
 INJECTOR,FUEL,CONT,TME2.7L.....151
 INJECTOR,FUEL,DEUTZ F4L913.....119
 INJECTOR,LPG W/ORINGS GM3.0L.....141
 INLET REDUCER,TD 2011L041.....129
 INLET TO EPR, GM3.0L ENG.....168
 INSTRUCTIONS, INSTALL (824283).....17-18
 INSTRUCTIONS, INSTALL (824285).....17-18
 INSTRUCTIONS, INSTALL (824288).....17-18
 INSTRUCTIONS, INSTALL (824293).....17-18
 INSTRUCTIONS, INSTALL (824304).....17-18
 INSTRUCTIONS, INSTALL (824372).....33
 INSTRUCTIONS, INSTALL (824373).....27
 INSTRUCTIONS, INSTALL (824374).....33
 INSTRUCTIONS, INSTALL (824375).....27
 INSTRUCTIONS, INSTALL (824378).....27
 INSTRUCTIONS, INSTALL (824379).....33
 INSTRUCTIONS, INSTALL (824380).....27
 INSTRUCTIONS, INSTALL (824382).....27
 INSTRUCTIONS, INSTALL (824384).....27
 INSTRUCTIONS, INSTALL (824389).....33
 INSTRUCTIONS, INSTALL,PLAT,SYM.....33
 INSTRUCTIONS, INSTALL,PLAT,WORD.....25
 INSTRUCTIONS,INSTALL,COMP,SYM.....27
 INSTRUCTIONS,INSTALL,COMP,WORD...17-18
 INSTRUCTIONS,INSTALL,PLAT,SYM.....33
 INSTRUCTIONS,INSTALL,PLAT,WORD.....25
 INSTRUCTIONS-PIPE CRADLE,BOOMS...297
 Intake Baffle.....99
 INTAKE BOX W/DECAL DEUTZ T1.....117
 INTAKE BOX W/DECAL DEUTZ TII.....125-126
 INTAKE VALVE,PERKINS 404D/F.....107-108
 ISOLATOR, GM3.0L ENG.....167-168
 ISOLATOR, RUBBER, GM3.0L ENG.....167-168
 ISOLATOR, VIBRATION.....139, 147
 ISOLATOR,ENGINE VIBRATION.....103, 123, 126, 129, 137, 141
 ISOLATOR,ENGINE VIBRATION***.....115, 149, 153, 165
 ISOLATOR,RADIATOR,TME27.....153
 ISOLATOR,TWO-PIECE.....123
 ISOLATOR,VIB, 32 X 32 M8-1.25.....151
 ISOLATOR,VIBRATION,LG,RD&WH***.....99
 ISOLATOR,VIBRATION,M8 M/M.....153
 ISOLATOR,VIBRATION,M8 MALE/FEM.....101, 107-108
 ISOLATR KIT,RUBBR,2KW GENERATR.....285

J

JIB BOOM ASSY.W/BEARINGS.....179
 JOYSTICK CONNECTOR ASSEM,AMP.....191
 JOYSTICK CONNECTOR ASSEM,DEUT...191
 JOYSTICK W/HARN ADPTR KIT RCKR.....201
 JOYSTICK W/HARN ADPTR, 1 AXIS.....201
 JOYSTICK W/HARN ADPTR, 2 AXIS.....201
 JOYSTICK,1 AXIS ROCKER,DEUTSCH.....203

JOYSTICK,1 AXIS,DEUTSCH.....203
 JOYSTICK,2 AXIS,DEUTSCH.....203
 JOYSTICK,DUAL AXIS W/KNOB.....203
 JOYSTICK,SINGLE AXIS W/KNOB.....203
 JOYSTICK,SINGLE AXIS W/STEER.....203

K

KEEPER,LATCH (45363).....85
 KEY,SINGLE***.....75-76
 KEYSWITCH, LOCKING, 3 POS, W/KEY.....76
 KEYSWITCH,3 POS.MOM.DR,W/KEY**.....75-76, 81
 KEYSWITCH,3POS.MNTND.DRWKEY**.....76
 KEYSWITCH,CONTACTS LOCK.....75-76, 81
 KEYSWITCH,DUMMY BLOCK.....75-76, 81
 KIT CB 15A T2 RPM SOLENOID 3W.....125-126
 KIT BONDED WELD LEADS Z80.....279
 KIT, AUX TOP RAIL SUPPORT.....251-252
 KIT, BATT SEPARATOR, ANSI/CSA.....89, 91, 159
 KIT, BATT SEPARATOR, AS.....89, 91, 159
 KIT, BATT SEPARATOR, CE.....89, 91, 159
 KIT, BEARING REPLACEMENT, OMNI VB11.....41
 KIT, BRAKE REPLACEMENT, OMNI VB11...41
 KIT, BRAKE SPRING.....70-72
 KIT, FOOTSWITCH, Z80.....184-185
 KIT, FRICTION DISC.....70-72
 KIT, HEAT GUARD, DEUTZ STARTER.....129
 KIT, HI PRESS HOSE, Z80.....245
 KIT, ISOLATION, 4 JOYSTICK.....201, 203
 KIT, LIFT GUARD CONTACT ALARM,6'-8' PLATFORM,ALC1000.....303
 KIT, OIL SEAL REPLACEMENT, OMNI VB11.....41
 KIT, OPA WELDER BRACKET.....301
 KIT, PRESSURE SWITCH, GENERATOR.....279
 KIT, SWING BRAKE REBUILD.....70-72
 KIT, TOGL SW LID, Z80, ANSI.....193
 KIT, TOGL SW LID, Z80, AUS.....193
 KIT, TOGL SW LID, Z80, CE.....193
 KIT, WHEEL STUD REPLACEMENT, OMNI VB11.....41
 KIT,ANNUAL INSPECTION,Z80.....13-14
 KIT,BRAKE DISC (102778).....38
 KIT,BRAKE PIST & SPRI (111090).....38
 KIT,BRAKE SPRING.....71-72
 KIT,BRAKE SPRING***.....70-72
 KIT,CLOSING CAP.....38
 KIT,CLOSING COVER (102719).....38
 KIT,CONTROL BOX COVER.....257
 KIT,DISC BRAKE (102719).....38
 KIT,ELECTRIC SWIVEL,6 CONTACT.....69-72
 KIT,ENGINE SERVICE,250 HOUR,DEUTZ TD2.9,S80/Z80.....13-14
 KIT,EPR FITTING,TME27,EPA2007.....153
 KIT,ESTOP SVC LARGE BOOM.....76, 191, 195-196
 KIT,FBA STYLE COUPLER,SAE8.....105, 129, 155-156
 KIT,FIELD INSTALL,SWING GATE.....251-252
 KIT,FLANGE CODE 61 -20.....245
 KIT,FRICTION DISC.....71-72
 KIT,FRICTION DISC***.....70-72
 KIT,GASKET,UK POWER TO PLAT.....275
 KIT,KEYSWITCH SVC LARGE BOOM.....76
 KIT,LATCH GUARD.....255

KIT,LOAD SENSE MECHANICAL,LRG.....271
 KIT,O-RING (102778).....38
 KIT,OP SWITCH,DEUTZ.....125-126
 KIT,PANEL CRADLE BRACKET,SYMBL.....269
 KIT,PANEL CRADLE BRACKET,WORD.....269
 KIT,PANEL CRADLE,CE.....269
 KIT,PIN & RING***.....173
 KIT,PIN (102719).....38
 KIT,RECOVERY SVC LARGE BOOMS.....75-76
 KIT,RISER HOSE BLKHD,SPRINGS.....181
 KIT,SERVICE,SOLENOID MODULE.....123, 125-126
 KIT,SERVICE,STEER SENSOR.....35
 KIT,SERVICE,STEER SENSOR,Z80.....35
 KIT,SWING BRAKE REBUILD.....71-72
 KIT,SWING BRAKE REBUILD***.....70-72
 KIT,SWING GATE W/SPRING.....251-252
 KIT,WATER PUMP 2.9 L4.....131
 KIT,WELD LEADS ASSY,V275S.....283
 KNOB,JOYSTICK, 62390/62391.....201, 203
 KNOB,ROCKER JOYSTICK 75565.....201, 203

L

L.P.TANK LATCH.....57-58, 61-62, 65-66, 299
 LANYARD, BOX, CONTROL, PLATFORM.....196, 199
 LANYARD,PLATFORM CONTROL BOX.....189
 LARGE FOOT SWITCH COVER.....251-252
 LATCH, SWING GATE.....187
 LATCH,FLEXIBLE DRAW W/O KEEPER.....57-58, 61-62, 65-66
 LATCH,GRND.CTRL.BOX COVER.....257
 LATCH,SLIDE, FLUSH MOUNT STYLE.....257
 LENS,AMBER,STROBE,FIREBOLT.....249
 LENS,LCD,GRND.CONTROL.....75-76, 81
 LEVER ALTERNATOR, (53883).....97
 LEVER LINKAGE ASSEMBLY.....171
 LEVER, GOVERNOR ACTUATOR.....125-126
 LID ASSY,CONTROL BOX COVER PLT.....257
 LID ENCLOSURE,RED,OPA.....301
 LID, PCON, TOG SW, Z80.....193, 195-196, 199
 LID,4 JOYSTICK PLATFORM CNTRL.....189
 LID,GROUND CONTROL BOX.....75-76
 LID,GROUND CONTROL BOX,PAINT.....75-76
 LID,GROUND CONTROL,Z135.....81
 LID,GROUND CONTROL,Z80.....75-76
 LIFT PUMP,FUEL,DEUTZ.....137
 LIFT PUMP,PERKINS 404F-22T.....107-108
 LIGHT, 12 VOLT.....249
 LIMIT SWITCH ROLLER NC/NC/NO...69-72, 177
 LINK LINKAGE ASSEMBLY.....171
 LOAD SUPPORT W/BEARINGS.....271
 LOCK,RECEP 3 WAY,14-18GA.....35
 LOCK,RECEP 4 WAY,12-14GA.....83
 LOCK,WEDGE,RLY 9.5MM.....89, 91
 Locknut, Electric, 1/2 inch.....275
 LOCKNUT,ELEC,1/2".....87, 279, 289
 LOCKNUT,ELECTRIC,1" NPT.....279
 LOCKOFF,LP,FORD DSG/MSG.....153
 LPG REGULATOR (GM 3.0L).....139

M

MACHINED, SWIVEL ANTI-ROTATION.....69-72

Part Description Index (continued)

- MACHINED, SWIVEL MOUNTING.....69-72
MAGNET, 1/4-20, 15 LB.....303
MAGNETIC SPEED SENSOR,GM 3.0.....139
MALE PIPE THD,1/4" SER,3/8"X18.....277
MANIFOLD ASSEMBLY, GEN.....289
MANIFOLD, FUEL, GM3.0L ENG.....168
MANIFOLD,2 WHEEL STEER/OSC.....209
MANIFOLD,4 WHEEL STEER.....213-214
MANIFOLD,4 WHEEL STEER/OSC.....217-218
MANIFOLD,COOLANT, TME27.....155-156
MANIFOLD,DRIVE OIL DIVERTER.....279
MANIFOLD,EXHAUST,GM3.0L ENG.....168
MANIFOLD,EXHAUST,TME27.....151
MANIFOLD,FUNCTION.....221
MANIFOLD,GENERATOR.....285
MANIFOLD,INTAKE,GM 3.0L ENG.....168
MANIFOLD,OSCILLATE.....207, 209, 213-214, 217-218
MANIFOLD,PLATFORM W/JIB.....227
MANIFOLD,ROTATOR,CB***.....229
MANIFOLD,SWING CB & BRAKE.....71-72
MANIFOLD,TRACTION,2WD.....205
MANIFOLD,TRACTION,4WD.....211
MANIFOLD-EXHAUST/GM 3.0L ENGIN.....139
MANUAL BOX W/DECALS***.....184-185
MANUAL, OPERATORS, GM 3.0L.....167-168
MANUAL, SVC AND REPAIR, GM 3.0L.....167-168
MANUAL,AEM SAFETY.....13-14
MANUAL,RESPON,A92.5 BOOM.....13-14
MAP SENSOR, EFI.....143
MEGAJECTOR,FUEL KIT.....147
MESH,HALF,LH,6'PLATFORM.....297
MESH,HALF,RH,6'PLATFORM.....297
MESH,HALF,SWING GATE***.....297
MIDRAIL GUIDE (HOOK).....184-185
MIXER, GM3.0L ENG.....168
MIXER,AIR VALVE,TIER II FORD**.....147
MIXER,TME 2.7L,ENGINE.....155-156
MODULE, PLUS+1, CONTACT ALARM.....303
MODULE,CONTROL UNIT,PCB,OPA.....301
MODULE,SX CONTROLLER,LOW AMP.....279
MODULE,TIME DELAY ON BREAK 4S.....285
MOTOR MOUNT COUPLER (106274).....279
MOTOR, 60511, APU, 12VDC.....57-58
MOTOR,HYD 12.5KW GEN,21CC***.....279
MOTOR,HYDRAULIC GENERATOR.....285
MOTOR,PISTON,2 SPEED,45CC.....37-38, 41
MOTOR,PISTON,2 SPEED,45CC 2WD.....47-48
MOTOR,PISTON,2 SPEED,45CC/18CC.....37-38, 41
MOTOR,PISTON,2SPD,45CC.....37-38
MOTOR,PISTON,HYD,45CC/19.5CC.....47-48
MOTOR,TRACTION 24/48V,9".....99
MOTOR,TURNTABLE ROTATE**.....71-72
MOUNT,ENG,GM 3.0L ENG.....167-168
MOUNT,ENGINE,LEFT SIDE.....137
MOUNT,ENGINE,RIGHT SIDE.....137
MOUNT,LIMIT SWITCH ACTIVATION.....175
MOUNT,SWITCH.....271
MOUNTING BAND,AIR CLEANER.....117, 126, 133
MOUNTING BAND,MUFFLER,8.0".....155-156
MOUNTING O-RING (75367).....119
MOVING END BRACKET.....173
MPT,CPLR,1/4"SER,3/8"X18.....277
MUFFLER BRACKET, PAINTED.....93
MUFFLER, PERKINS.....93
MUFFLER,2.5"INLET/OUTLET.....101, 126
MUFFLER,CATALYST,GM3.0L ENG.....167-168
MUFFLER,CATALYTIC,2.5 I/O.....101, 126
MUFFLER,CATALYTIC,CONTINENTAL.....156
MUFFLER,CATALYTIC,DEUTZ*F4L913.....117
MUFFLER,DEUTZ,F4L913.....117
MUFFLER,SPARK ARREST,2.5 I/O.....101, 126
MUFFLER,SPARK ARRESTING,GM.....139
- ## N
- NICKEL PLATED JAM NUT.....81
NIPPLE,DIAGNOSTIC,#6 PORT***.....237, 239, 241, 243, 245
NUT.....81
NUT - PLASTIC,RING FOR ALARMS...75-76, 81, 189, 195-196, 199
NUT HEX M5-0.8 CLASS 8 ZINC.....193, 195-196, 199
NUT, CP521-1 VALVE.....285
NUT, HEX FLANGE M 8 X 1.25.....151
NUT, LP NYLOCK, 3/8-16.....99, 184-185
NUT, SOLENOID VALVE COIL.....223
NUT, TL JAM, 3/8-16, A, ZAG.....269
NUT,1/4-20,8,ZAG.....303, 311
NUT,3/8-16,8,ZAG.....311
NUT,ALT MNTG,GM3.0L ENG.....168
NUT,ALTERNATOR,GM 3.0L ENG.....168
NUT,CLINCH,10-32 X 1.....153
NUT,FLG,1/4-20.....267
NUT,FLG-LRG,3/8-16,YZ.....131, 156, 165
NUT,HEX, M6.....151
NUT,HEX,1/2-13 GRD 8.....249
NUT,HEX,1/4-28.....95, 123
NUT,HEX,3/8-16.....273
NUT,HEX,5/16-18,GR5.....249
NUT,HEX,7/16-14.....273
NUT,HEX,JAM,3/4-10.....70-72
NUT,HEX,M10,ALTER.DEUTZ F4L913.....121
NUT,HEX,M8 X 1.25.....103
NUT,HEX,M8,PLASTIC.....305, 307, 309
NUT,LOCK,HEX,M10.....155-156
NUT,LOCKING-LG.FLANGE,5/16-18.....139, 143, 147, 153, 155-156
NUT,LP NYLOCK,1/4-20.....99, 123, 251-252, 257, 259, 261, 279, 307
NUT,LP NYLOCK,10-32.....295
NUT,LP NYLOCK,5/16-18.....85
NUT,LUG,3/4-16 X 7/8 RADIUS,ZA.....35
NUT,M4 NYLOCK.....301
NUT,M6,BLOWER,DEUTZ F4L913.....121
NUT,M6,FUEL PUMP,DEUTZ F4L913.....119
NUT,M8,ALTERNATOR,DEUTZ F4L913.....121
NUT,MUFFLER PERKINS 10MM.....93
NUT,NYLOCK FLG,1/4-20,F,ZAG.....269, 297, 303
NUT,NYLOCK FLG,3/8-16,F,ZAG.....269, 297, 303, 313
NUT,NYLOCK,1-8.....184-185
NUT,NYLOCK,1/2-13.....58, 62, 66, 145, 149, 153, 155-156, 279, 285, 289
NUT,NYLOCK,1/4-20.....57-58, 61-62, 65-66, 85, 91, 99, 101, 105, 117, 133, 135, 137, 139, 141, 143, 147, 153, 155-156, 159, 181, 184-185, 187, 251-252, 265, 271, 289, 297, 305, 307, 309
NUT,NYLOCK,10-24.....125-126, 271
NUT,NYLOCK,10-32.....48, 57-58, 61-62, 65-66, 85, 89, 91, 115, 137, 143, 173, 177, 189, 196, 199, 249, 275
NUT,NYLOCK,10-32,A,ZAG.....303
NUT,NYLOCK,3/8-16.....57-58, 61-62, 65-66, 72, 87, 101, 103, 105, 125-126, 129, 133, 135, 137, 141, 143, 147, 149, 153, 155-156, 159, 173, 175, 179, 184-185, 265, 271, 273, 275, 279, 283, 285, 305, 307
NUT,NYLOCK,4-40.....137
NUT,NYLOCK,5/16-18.....57-58, 61-62, 65-66, 85, 93, 95, 101, 129, 133, 139, 143, 147, 155-156, 249, 273, 279, 283, 289
NUT,NYLOCK,5/8-11.....99, 103, 123, 126, 129, 131, 137, 141
NUT,NYLOCK,6-32.....75-76, 79, 81, 189, 193, 196, 199, 303
NUT,NYLOCK,8-32.....81, 83
NUT,NYLOCK,M5X.80.....95, 101
NUT,NYLOCK,M8-1.25,DIN985,A270.....255
NUT,NYLOCK,M8X1.25.....101, 153
NUT,SOLENOID.....279
NUT,SOLENOID VALVE 2P3W.....223
NUT,SOLENOID VALVE COIL.....205, 207, 209, 211, 213-214, 217-218, 221, 223, 231
NUT,SOLENOID VALVE,HYDAC.....225
NUT,SPINDLE,2.00-12.....35
NUT,TL FLG,1-8,G,ZAG.....51
NUT,TL FLG,1/2-13,G,ZAG.....115, 165, 313
NUT,TL FLG,1/4-20,G,ZAG.....108, 111, 115, 161, 163, 187, 255, 271, 301, 309
NUT,TL FLG,10-32,F,ZAG.....271
NUT,TL FLG,3/8-16,G,ZAG.....47-48, 107-108, 115, 165, 187, 271, 301, 309
NUT,TL FLG,5/16-18,G,ZAG.....47-48, 161, 165, 255
NUT,TL FLG,M10-1.5,DIN6927,10,ZAB.....111
NUT,TL FLG,M8-1.25,DIN6927,10,ZAB.....107-108
NUT,TL,1-8,C,ZAG.....51, 184-185, 187
NUT,TL,FLG,5/8-11,G,ZAG.....107-108
NUT,TOP LOCK,1/2-13.....101
NUT,WING,1/4-20.....159
NUT,WING,1/4-28.....173
NUT-COIL SHORT.....227
NUTSERT,1/4-20,STEEL CAD PLTD.....189, 199
- ## O
- O-RING.....38
O-RING & SHAFT(81381).....37-38
O-RING KIT (ORFS FITTINGS).....13-14, 225, 229, 235, 237, 239, 241, 243, 245
O-RING KIT,FIELD SVC,ALL PROD*.....13-14, 229
O-RING***.....93
O-RING, COVER (81381).....37-38
O-RING, DISCONNECT ROD.....37-38
O-RING, DO1 VALVE.....221, 223, 285
O-RING, FUEL LIFT PUMP.....125-126
O-RING, GEAR RING (81381).....37-38
O-RING, MOTOR,GREEN(81382).....37-38
O-RING, ROTATOR MANIFOLD.....229
O-RING, TORQUE HUB COVER.....55
O-RING,.070 X .239,VITON 75D.....37-38
O-RING,.103 X 3.737,VITON,75D.....37-38
O-RING,.103X3.237,NBR/NTRL,90D.....233
O-RING,2-010,VITON.....37-38, 41
O-RING,2-157,VITON***.....37-38, 41

| | | |
|---|---|--|
| O-RING, COIL NUT, HYDAC.....225 | PARKER DIGITAL PRESSURE GAUGE.....13-14 | PLAT ASSY, 4', AUSTRALIA Z80.....183-185 |
| O-RING, DIPSTICK DEUTZ (75372).....119 | PCB ASSY, ECM, Z80 TCON, V103.....75-76 | PLAT ASSY, 5', AUSTRALIA Z80.....183-185 |
| O-RING, DIPSTICK, DEUTZ F4L2011.....126 | PCB ASSY, ECM, Z80 TCON, V104.....75-76 | PLAT ASSY, 6', AUSTRALIA Z80.....183-185 |
| O-RING, DISCONNECT ROD (111060).....38, 53, 55 | PCB ASSY, ECM, Z80 TCON, V105.....75-76 | PLAT ASSY, COMP, 4', CE/UK/UK.....183-185 |
| O-RING, FILTER ASSY (60334)***.....87 | PCB ASSY, ECM, Z80 TCON, V2.00.....75-76 | PLAT ASSY, COMP, 5', CE/UK/UK.....183-185 |
| O-RING, FLANGE KIT 61352.....245 | PCB ASSY, ECM, Z80 TCON, V2.03.....75-76 | PLAT ASSY, COMP, 6', CE/UK/UK.....183-185 |
| O-RING, FUEL INJ. PUMP (75370).....119 | PCB ASSY, ECM, Z80 TCON, V102.....75-76 | PLAT ASSY, COMP, 8', CE/UK/UK.....183-185 |
| O-RING, JOYSTICK, 62390/62391.....201 | PCB, ECM, ASSY, CAN GATEWAY, Z.....81 | PLAT ASSY, COMP, 4', ASIA/SO. AM.....183-185 |
| O-RING, MOTOR TO BRAKE***.....38 | PCB, LED/TOGGLE SWITCH, ALC100.....193, 195-196, 199 | PLAT ASSY, COMP, 5', ASIA/SO. AM.....183-185 |
| O-RING, MOTOR/BRAKE (88921)***.....71-72 | PCB, ASSY, ECM, GROUND VER 1.01.....75-76 | PLAT ASSY, COMP, 6', ASIA/SO. AM.....183-185 |
| O-RING, MOTOR/BRAKE***.....70-72 | PCB, ASSY, ECM, GROUND, V2.06.....81 | PLAT ASSY, COMP, 8', ASIA/SO. AM.....183-185 |
| O-RING, OIL FILLER (75369).....119 | PCB, ASSY, ECM, PLATFORM, 102.....189 | PLAT BOX, COMPLETE, Z80 REV 102.....189 |
| O-RING, ORFS, -12.....279 | PCB, ASSY, ECM, PLATFORM, 104.....189 | PLAT BOX, COMPLETE, Z80 REV 104.....189 |
| O-RING, SEAL RING, 1" NPT (PKG OF 10).....279 | PCB, ASSY, ECM, PLATFORM, 105.....189 | PLAT CONTROL BOX, ASSY (Z80).....189 |
| O-RING, SPACER #115***.....285 | PCB, ASSY, ECM, PLATFORM, V2.00.....189 | PLAT RAIL ASSY, 8FT, AUSTRALIA**.....183-185 |
| OIL COOLER W/FAN, 12VDC...57-58, 62, 65-66 | PCB, ASSY, ECM, PLATFORM, V2.04.....189, 195-196, 199 | PLAT RAILW/DECALS 6FT 500LB AN.....183-185 |
| OIL COOLER, PERKINS 404D/F-22T.....107-108 | PCB, MEMBRANE/LED, SB/Z80.....189 | PLAT RAILW/DECALS 8FT 500 ANSI.....183-185 |
| OIL FILLER CAP FOR LRG ENGINE.....149 | PCB, ASSY, LCD, GROUND.....75-76 | PLAT RAILW/DECALS, 4FT, 500LB AN.....183-185 |
| OIL FILLER CAP, TIMING CASE, PERKINS 404D/F-22T.....107-108 | PCV VALVE-GM 3.0L ENGINE.....13-14, 139, 167-168 | PLAT RAILW/DECALS, 5FT, 500LB AN.....183-185 |
| OIL FILTER - PERKINS.....13-14, 108 | PETCOCK, RADIATOR, 1, 4NPT.....153 | PLAT FLOOR, 5FT, PAINTED.....184-185 |
| OIL FILTER, TME 2.7L ENGINE.....14, 151 | PIN, 0.75DIA X 5.75LG, CHAMFER.....271 | PLAT, ASSY, 4 FT, SERV, Z80 ANSI.....183-185 |
| OIL PAN HEATER, DEUTZ, 120V, 150W.....293 | PIN, 1.00DIA X 2.88LG, 1HOLE.....43 | PLAT, ASSY, 5 FT, SERV, Z80 ANSI.....183-185 |
| OIL PRESSURE SWITCH, PERKINS 404F-22T.....107-108 | PIN, 1.25 DIA X 7.88" LG.....179 | PLAT, ASSY, 6 FT, SERV, Z80 ANSI.....183-185 |
| OIL SEPARATOR.....153 | PIN, 1.25 X 13.25 IN, CHAMFER.....159 | PLAT, ASSY, 8 FT, SERV, Z80 ANSI.....183-185 |
| OIL SUCTION STRAINER, PERKINS 404D/F-22T.....107-108 | PIN, 1.25DIA X 15.00LG, 2HOLE.....179 | PLATE, AIRCRAFT PROTECTION OPT.....309 |
| OIL TEMP SENSOR(60323).....119 | PIN, 1.25DIA X 2.75LG, 1HOLE.....171 | PLATE, CABLE AND WIRE COVER.....303 |
| OPT, KEY SWITCH, RETAINED.....76 | PIN, 1.25DIA X 6.67LG, 2RING.....171 | PLATE, ECM MOUNT, Z80.....115, 137 |
| OPT, PRECLEANER, DEUTZ/PERKINS.....267 | PIN, 1.25DIA X 7.00LG, 1HOLE.....179 | PLATE, MANIFOLD MOUNT.....47-48 |
| OPT, AIR PRECLEANER, DEUTZ.....265 | PIN, 1.25DIA X 8.26LG, 2RING.....175 | PLATE, PUMP MOUNT, PAINTED***.....93, 119 |
| OPT, AIR PRECLEANER, PERKINS.....265 | PIN, 1.5 DIA X 11 LG.....179 | PLATE, AC ADAPTER, DIN/UK***.....275 |
| OPT, CLAMP, HOSE, CABLETRACK.....173 | PIN, 1.75 DIA X 4.25.....35, 38, 43 | PLATE, AIR FILTER MOUNT, FORD.....147 |
| OPTION, SPARK ARREST.....101, 125-126 | PIN, 1.75DIA X 10.50LG, 2RING.....47-48 | PLATE, AXLE COVER PAINTED.....48 |
| OPTION, 6' HALF MESH PLAT/GATE.....297 | PIN, 1.75DIA X 4.0LG.....35, 41, 45 | PLATE, BACKLASH ADJ. MACHINED.....70-72 |
| OPTION, 8' HALF MESH PLAT/GATE*.....297 | PIN, 1.75DIA X 10.75LG, 1HOLE.....47-48 | PLATE, CENTER BOTTOM SPRT ROT.....213-214, 218 |
| OPTION, BASE CONTROL DOOR.....259 | PIN, 1.75DIA X 4.50LG, THREADED.....47-48 | PLATE, CW, HI-FLO, SAND OPT, RH.....51 |
| OPTION, LP TANK 2ND.....299 | PIN, 2.25 X 10.63 LG.....171 | PLATE, CW, HI-FLO, SAND, OPT, LH.....51 |
| OPTION, PLAT SUPPORT, STD, LRG BM.....184-185, 187 | PIN, 2.25 X 13.38 LG.....171 | PLATE, DOCUMENT BOX MOUNT.....187 |
| ORIFICE DISC, .030, CONE.....279 | PIN, 2.25 X 18.50 LG.....177 | PLATE, ENG. TRAY WEB, NON-PVT END....139 |
| ORIFICE PLUG, .03, PLATF. HYDAC.....225 | PIN, 2.25 X 23.50 LG.....171 | PLATE, ENGINE MOUNT, PTD.....155-156 |
| ORIFICE, PLUG 0.030.....211 | PIN, 2.25 X 25.63 LG.....171 | PLATE, HOUSING, GM 3.0L ENG.....168 |
| ORING, MIXER ADAPTER, GM3.0L ENG..168 | PIN, 2.50DIA X 27.63LG, 1HOLE.....47-48 | PLATE, INTAKE BAFFLE Z80 FORD P.....143 |
| OUTLET, 110V.....275, 279 | PIN, 3.00 DIA X 15.0 LG.....171 | PLATE, JIB, ROTATE MANIFOLD.....185, 187 |
| OUTLET, T/STAT, GM 3.0L ENG.....167-168 | PIN, CLEVIS, 1.0X2.41, SAE, ZAG.....45 | PLATE, KING PIN RETAINER *.....43, 45 |
| | PIN, COTTER, .156 X 2.5.....175 | PLATE, PRIMARY BOTTOM WIPER.....259 |
| | PIN, COTTER, .375 X 3.5.....35 | PLATE, PRIMARY TOP WIPER.....259 |
| | PIN, LOCK, SHORT***.....251-252 | PLATE, PUMP MOUNT, SAE 4.....155-156 |
| | PINCH GUARD RAIL, 6' PLATFORM.....251-252 | PLATE, RELAY MOUNT.....87, 89, 91 |
| | PINCH GUARD RAIL, 8' PLATFORM*.....251-252 | PLATE, RISER EXT. CYL. RETAINER.....177 |
| | PINS, CONNECTOR, INJ HARNESS, D2.9...131 | PLATE, RISER HOSE BULKHEAD.....181 |
| | PIPE CRADLE ASSY, SERV (ONE)**.....297 | PLATE, STEER MANIFOLD MOUNT.....47-48 |
| | PIPE PLUG, MAGN.....38, 53 | PLATE, SWITCH MOUNT.....48 |
| | PIPE, EXHAUST WELDMENT.....103 | PLATE, UK, POWER TO PLAT.....277, 289 |
| | PIPE, EXHAUST, GM3.0L ENG.....168 | PLATFORM ASSEMBLY, 4FT, CE/UK.....183-185 |
| | PIPE, TAIL.....101 | PLATFORM ASSEMBLY, 5FT, ASIA/S AM.....184-185 |
| | PLAT ASSEMBLY, 4FT, ASIA/S AM.....183-185 | PLATFORM ASSEMBLY, 5FT, AUSTRALIA***.....183-185 |
| | PLAT ASSEMBLY, 5FT, ASIA/S AM.....184-185 | PLATFORM ASSEMBLY, 5FT, CE/UK.....183-185 |
| | PLAT ASSEMBLY, 5FT, AUSTRALIA***.....183-185 | PLATFORM ASSEMBLY, 5FT, CE/UK.....183-185 |
| | PLAT ASSEMBLY, 6FT, ASIA/S AM.....184-185 | PLATFORM ASSEMBLY, 5FT, CE/UK.....183-185 |
| | PLAT ASSEMBLY, 8FT, ASIA/S AM.....184-185 | PLAT F O R M C O N T R O L |
| | | BOX, WELDMENT.....195-196, 199 |

P

PAD, REST, 1" THICK, FLANGED.....269

PADDING, FOAM, 15.5".....309

PADDING, FOAM, 46.5".....309

PADDING, FOAM 3.5" OD X 1.50" ID...305, 307, 309

PADDING, FOAM, 3.0" X 1.50ID 90DEG.....305, 307, 309

PAINT, AEROSOL, TRAFFIC BLACK.....13-14

PAINT, AEROSOL, BRIGHT BLUE***.....13-14

PAINT, AEROSOL, GENIE GRAY***.....13-14

PAINT, WET, GENIE BLUE (1 GL)**.....13-14

PAINT, WET, GENIE GRAY (1 GL)**.....13-14

PAINT, WET, TRAFFIC BLACK (1 GL)**.....13-14

PANEL, ENCLOSURE, LINCO WELDER.....279

Part Description Index (continued)

- PLATFORM RAIL ASSY, 8FT, ANSI.....183-185
 PLATFORM RAIL ASSY,6FT,CE/UK.....183-185
 PLATFORM RAIL ASSY,8FT,CE/UK.....183-185
 PLATFORM WELDMENT,4 FT.....183-185
 PLUG AND CAP KIT-SERVICE,37 **.....13-14, 229
 PLUG AND CAP KIT-SERVICE,ORFS*.....225, 229, 235, 237, 239, 241, 243, 245, 247
 PLUG ORIFICE, .031.....205
 PLUG, OIL DRAIN, GM3.0L ENG.....168
 PLUG, TYPE F, 230A, 50HZ, 16A, IP44.....87
 PLUG,070109-8.....117
 PLUG,1/2" HUBBLE.....195-196, 199
 PLUG,1/4 X .400",BLK.....85
 PLUG,4-WIRE,3-PHASE,50A,MALE.....283
 PLUG,5/16 X .490",BLK.....85
 PLUG,520109-8,ORFS.....237
 PLUG,ALARM BEACON HOLE.....85
 PLUG,BLANKING.....301
 PLUG,ELECTRICAL,DOMESTIC.....87, 277, 289
 PLUG,ENGINE COVER.....85
 PLUG,ENGINE OIL, DEUTZ F4L913.....119
 PLUG,FUSED,250V,13AMP,U.K.**.....87
 PLUG,HEX SOCKET,090109B-4.....71-72, 221
 PLUG,HEX,090109A-8***.....221
 PLUG,NYLON .188 BLACK DOMED.....195-196, 199
 PLUG,ORB #6.....71-72, 95
 PLUG,PWR,UK,16AMP,3PIN,BLK.....87, 277, 289
 PLUG,SANTOPRENE .5 BLACK DOME.....87, 189, 193, 195-196, 199
 PLUG,TORQUE HUB,DRAIN***.....55
 POTENTIOMETER ASSY, WELDER.....279
 PRE-FILTER,FUEL,DEUTZ TCD3.6.....13-14, 137
 PRECLEANER OPTION,FORD,Z80.....265
 PRECLEANER,AIR INTAKE.....265
 PRECLEANER,INLINE 3".....265, 267
 PRESSURE PUMP,PERKINS 404F-22T...107-108
 PRO.DIR.CNRL,VLV,5WY,3POS.....227
 PRO.DIR.CTRL,VLV,5WY,3POS.....227
 PROXIMITY SENSOR***.....251-252, 305, 307, 309
 PULLEY KIT,PERKINS 804.....273
 PULLEY, WATER PUMP (704-30).....97
 P U L L E Y, A L T E R N A T O R, D E U T Z BF4L2011.....125-126
 PULLEY,CRANKSHAFT (53883).....97
 PULLEY,CRANKSHAFT,TME27.....151
 PULLEY,DEUTZ.....273
 PULLEY,FORD ENGINE,LRG-423***.....149
 PULLEY,GENERATOR,FORD.....273
 PULLEY,GM.....273
 PULLEY,PERKINS.....273
 PULLY, GNRTR,220V,50HZ(89908).....273
 PULLY,GNRTR,120V,60HZ(60707).....273
 PUMP ASSY,DRIVE & FUNCTION.....233
 PUMP MOUNT,PERKINS 404F-22.....111
 PUMP, FUEL, HIGH PRESSURE, GM3.0L.....168
 PUMP, FUEL, LRG425, WALBRO.....57-58, 143
 PUMP, LIFT INLET PORT (53883).....95
 PUMP, LIFT TANDEM Z80.....233
 PUMP, OIL, GM3.0L ENG.....168
 PUMP, WATER, GM3.0L ENG.....167-168
 PUMP, WATER, WITH GASKET.....149
 PUMP,(102710 APU).....57-58
 PUMP,AUXILIARY,DUAL,12V.....57-58, 62, 65-66
 PUMP,FUEL 2011 DEUTZ ***.....125-126
 PUMP,FUEL GM 3.0 ENG. C282-238.....57-58, 139
 PUMP,FUEL INJ,DEUTZ BF4L20.....125-126
 PUMP,FUEL INJECTN.DEUTZ F4L913.....119
 PUMP,FUEL LIFT DEUTZ F4L913.....119
 PUMP,FUEL LIFT,PERKINS 404F.....111
 PUMP,PISTON,M46(Z80).....233
 PUMP,WATER,PERKINS 804D-33T.....101
- ## R
- RADIATOR HOSE, LOWER.....99
 RADIATOR HOSE, UPPER.....99
 RADIATOR HOSE,LOWER-GM.....139
 RADIATOR HOSE,UPPER-GM...139, 167-168
 RADIATOR MOUNT, LH, PAINTED.....99
 RADIATOR MOUNT,INBOARD,PAINTED.....139
 R A D I A T O R MOUNT,OUTBOARD,PAINTE.....139
 RADIATOR, GM3.0L ENG.....167-168
 RADIATOR,6-CORE,19.375W X 18.1.....131
 RADIATOR,CONTINTNTAL.....153
 RADIATOR,FORD/PERKINS***.....101, 107-108, 143
 RADIATOR,PERKINS,GM.....99, 139
 RAIL, FUEL, WINJ, GM3.0L ENG.....168
 RAILING CATCH CASTING--DRILLED.....251-252
 REAR AXLE ASSEMBLY Z80 NON STR....47-48
 REAR ENGINE MOUNT,PAINTED.....149
 REAR STEER AXLE ASSY. Z80.....47-48
 RECEPACLE, 120VAC, 20A, GFCI.....277
 RECEPACLE,UK,110V.....277, 289
 RECEPACL,LOCK 3-PH,50A,4 WIRE.....283
 RECTIFIER ASSEMBLY.....285
 REDUCER,3" TO 2.75".....125-126
 REDUCER,520123-8-4.....291
 REDUCER,RUBBER 3.0 - 2.5.....133, 265
 Ref Fuel Pressure Regulator (refer to 422.1).....61-62, 65-66
 REF. PLATFORM CONTROL BOX ASSEMBLY.....187
 REF. PLATFORM ROTATE MANIFOLD.....187
 REF. PLATFORM ROTATOR.....187
 REF, GASKET.....168
 REGULATOR,FUEL PRESS,TME27'07.....156
 REGULATOR,FUEL PRESS. TME27.....14, 156
 REGULATOR,LPG.....143
 REGULATOR,LPG (EPR),TME27 2007.....153
 REGULATOR,LPG(EPR),TME27.....153
 REGULATOR,PRESS-COMP 0.30 GPM.....227
 RELAY COVER ASSY W/DECAL.....87
 RELAY COVER,Z80,PAINTED.....87
 RELAY MODULE(89996,89998).....123, 125-126
 RELAY, STARTER, Z45GP91.....149
 RELAY,12VDC,70AMP,SEALED.....89, 91, 153
 RELAY,OMRON,DPDT,12V.....279
 RELAY,SOCKET,OMRON.....279
 RELAY,SPDT,12V(AUTO) PLUG IN**.....65-66, 89, 91
 RELAY,SPDT,12V(AUTO)**.....303
 RELIEF,VALVE 270 PSI.....279
 REST PAD,PRIMARY BOOM.....177
 RETAINER,GAS SPRING***.....85
 RETAINER,SPRING,1.21 X .375.....271
 RETAINER-N.C.PROPOR.SOLENOID.....221, 223
 RETAINING RING.....285
 RETAINING RING, OD 8.250.....38
 RETROFIT KIT, JIB BOOM, 6FT.....179
 RING GEAR, GM3.0L ENG.....167-168
 RING GEAR,FORD***.....143, 149
 RING, RETAINING.....37-38
 RIVET,ALUM,ALUM,3/16BUTTONHEAD.....257
 RIVET,ALUM,ALUM,P,25X.375.....257
 RIVET,STEEL,P .25 X .375.....251-252
 RIVET,STL,STL,P,125 X .25.....75-76, 81
 ROCKER ASSY.,MAGNETIC 75565.....201, 203
 ROCKER,RETAINER, 75565.....201, 203
 ROD END, .25 X 2.75, ZAG.....271
 ROD END,.250 X 2.75 LG.....271
 ROD END,.375 X 2.25,ZAG.....43
 ROD END,.375X3.69,ZAG.....35, 43, 45, 47-48, 159, 171, 179
 ROD END,.5 X 3.75,ZAG.....47-48, 171, 177, 179
 ROD END,.75 X 5.00.....171
 ROLLER ARM,LIMIT SWITCH***.69-72, 173, 177, 179
 ROLLER,ARM,LIMIT SWITCH,ZCY500.....69-72
 ROTATOR MOUNT KIT.....271
 ROTATOR,PLAT JIB,160 DEG***.....179
 ROTOR-DISTRIBUTOR, GM 3.0L.....139, 167-168
 RUBBER SLEEVES, TD 2011L041.....129
 RUE RING,1.0,ZAG.....45
- ## S
- SCREW PH M5-0.8X20 DIN 7500CE.....191, 195-196, 199
 SCREW, BHC, 1/4-20 X 1, ZAG.....309
 SCREW, GEN ROTOR.....289
 SCREW, HCC, 3/8-16 X 1.50..65-66, 87, 101, 103, 105, 137, 141, 149, 173, 179, 273, 275, 279, 299
 SCREW, HHC, M8 X 1.25 X 12.....111
 SCREW, PHM, #6-32 X .625 ZINC.....201, 203
 SCREW, PHPM SEMS ET, 10-24 X .5, ZAG.....107-108
 SCREW,#10-32 X 5/8"L.....153
 SCREW,#4X1/4,HI-LO,PH PHIL,TAP....79, 83, 195-196, 199
 SCREW,#4X3/8,HI-LO,PH PHIL,TAP.....189
 SCREW,BHC,10-32X1.5,F835,ZAG.....271
 SCREW,BHSC,1/4-20 X 1.....251-252, 307
 SCREW,BLEEDER,M5X0.8.....179
 SCREW,FHM,10-32 X 1.5.....177
 SCREW,FHM,6-32 X .75.....277
 SCREW,FHPM,6-32X.75,ZAG.....277
 SCREW,FHPM,8-32X.375,ZAG.....277
 SCREW,FHS,M8 X 1.25 X 16.....151
 SCREW,FHS,M8 X 1.25 X 30.....151
 SCREW,FLANGE,1/2-13X1.25,GR 8.....37-38
 SCREW,FLANGE,HHC,3/8-16X 5/8.....175, 209
 SCREW,FLANGE,HHC,3/8-16X 7/8.....173, 175, 177
 SCREW,FLANGE,HHC,3/8-16X1.00.....177
 SCREW,FLANGE,HHC,3/8-16X1.25.....137

| | | |
|--|---|---|
| SCREW,FLANGE,HHC,5/8-11X2,GR8.....37-38 | SCREW,HHC,5/16-18 X .75..69-72, 143, 147, 155-156, 279 | SCREW,HHF,1/4-20X1.75,8,ZAG.....41, 163 |
| SCREW,FRONT FAN GUARD,TME27.....153 | SCREW,HHC,5/16-18 X 1 GR5.....57-58, 61-62, 65-66, 95, 99, 101, 129, 133, 143, 155-156, 279 | SCREW,HHF,1/4-20X2.5,8,ZAG.....297 |
| SCREW,HHC,1-8 X 11,GRD 5***.....179, 184-185 | SCREW,HHC,5/16-18 X 1.25.....139, 289 | SCREW,HHF,10-24X.5.....303 |
| SCREW,HHC,1-8 X 3.5.....85 | SCREW,HHC,5/16-18 X 1.50.....143, 153, 155-156 | SCREW,HHF,3/8-16X.625,8,ZAG....35, 38, 43, 45, 48 |
| SCREW,HHC,1-8X11.5,ZAG.....184-185, 187 | SCREW,HHC,5/16-18 X 1.75.....273 | SCREW,HHF,3/8-16X.75,8,ZAG.....41, 45, 163 |
| SCREW,HHC,1-8X12.5,ZAG.....51 | SCREW,HHC,5/8-11 X 2 GRD.8.....37-38 | SCREW,HHF,3/8-16X1.8,ZAG.....43, 45, 107-108, 115, 303 |
| SCREW,HHC,1-8X19.5,2,ZAG.....51 | SCREW,HHC,5/8-11 X 2.25 GR8.....37-38, 48 | SCREW,HHF,3/8-16X1.25,8,ZAG.....47-48, 165, 187 |
| SCREW,HHC,1-8X4.5,5,ZAG.....51 | SCREW,HHC,5/8-11 X 3.25 GRD 8.....37-38 | SCREW,HHF,3/8-16X2.5,8,ZAG.....47-48, 313 |
| SCREW,HHC,1/2-13 X 1.25 GR5.....155-156, 171 | SCREW,HHC,5/8-11 X 3.5 GRD.8.....103, 123, 126, 129, 137 | SCREW,HHF,3/8-16X3,8,ZAG.....271 |
| SCREW,HHC,1/2-13 X 1.5..93, 105, 119, 126, 139, 147, 155-156, 171, 177 | SCREW,HHC,5/8-11 X 4.0 GR8.....99, 141 | SCREW,HHF,5/16-18X.75,8,ZAG.....161, 255 |
| SCREW,HHC,1/2-13 X 1.75.....145 | SCREW,HHC,5/8-11 X 4.0***.....123 | SCREW,HHF,5/16-18X1.8,ZAG.....255 |
| SCREW,HHC,1/2-13 X 1.75 GRD 8.....71-72 | SCREW,HHC,7/16-14 X 1.75.....273 | SCREW,HHF,5/16-18X1.5,8,ZAG.....47-48 |
| SCREW,HHC,1/2-13 X 2 GR5.....155-156 | SCREW,HHC,FLG,3/8-16 X 1 GR8.....137 | SCREW,HHF,5/8-11X1.5,8,ZAG.....107-108 |
| SCREW,HHC,1/2-13 X 2.75.....149, 153, 279, 285, 289 | SCREW,HHC,FLG,M14 X 35.....137 | SCREW,HHFM12-1.75X30,DIN6921,10.9,ZAB.41, 47-48 |
| SCREW,HHC,1/2-13 X 3.....153 | SCREW,HHC,M10 X 1.5 X 140.....121 | SCREW,HHFM14-2.0X40,DIN6921,10.9,ZAB.115 |
| SCREW,HHC,1/2-13 X 3.5.....58, 62, 66 | SCREW,HHC,M10 X 1.5 X 16.....105 | SCREW,HHFM16-2.0X50 10.9.....41, 48 |
| SCREW,HHC,1/4-20 X .5.....76, 123 | SCREW,HHC,M10 X 1.5 X70,GR 8.8.....126 | SCREW,HHFM6-1.0X12,DIN6921,10.....301 |
| SCREW,HHC,1/4-20 X .625.....57-58, 61-62, 65-66, 76, 189 | SCREW,HHC,M10 X 25MM,GR 8.8..105, 111, 151 | SCREW,HHFM8-1.25X16,DIN6921,10.9,ZAB.108, 131 |
| SCREW,HHC,1/4-20 X .75.....85, 91, 95, 99, 101, 105, 123, 139, 143, 145, 155-156, 179, 184-185, 187, 195-196, 199, 251-252, 259, 261, 279, 297, 305, 307 | SCREW,HHC,M10 X 30MM,.....93, 103, 105, 119, 129, 139, 143, 149 | SCREW,HHFM8-1.25X20,DIN6921,10.9,ZAB.107-108 |
| SCREW,HHC,1/4-20 X 1.....57-58, 61-62, 65-66, 81, 85, 87, 95, 99, 101, 105, 141, 147, 153, 155-156, 159, 184-185, 187, 257, 265, 275, 289, 305, 307, 309 | SCREW,HHC,M10 X 40MM,GRD8.....147 | SCREW,HHFM8-1.25X60,DIN6921,10.9,ZAB.135 |
| SCREW,HHC,1/4-20 X 1.25.....85, 117, 137, 271 | SCREW,HHC,M10 X 65MM,GR8.8.....273 | SCREW,HHFM8X20,DIN6921,8.8,YZ.....131 |
| SCREW,HHC,1/4-20 X 1.5.....179, 251-252 | SCREW,HHC,M12 X 20MM.....133, 137 | SCREW,HHF-S,10-24X1.5,ZAG.....187 |
| SCREW,HHC,1/4-20 X 1.75.....85, 133, 137, 145, 155-156 | SCREW,HHC,M12 X 30.....97, 101, 141, 273 | SCREW,M5X16 BHD.....301 |
| SCREW,HHC,1/4-20 X 2.....251-252 | SCREW,HHC,M12 X 35MM.....101, 105 | SCREW,M6X8.....301 |
| SCREW,HHC,1/4-20 X 2.75.....279 | SCREW,HHC,M12 X 45.....123 | SCREW,PHIL,10-24 X .75.....184-185 |
| SCREW,HHC,1/4-20X.75,8,ZAG.....65-66 | SCREW,HHC,M14 X 2 X 100.....123 | SCREW,PHIL,8-32X.50,SELF TAP.....275, 289 |
| SCREW,HHC,1/4-20X1.8,ZAG.....311 | SCREW,HHC,M14 X 30.....99 | SCREW,PHIL,PHM,10-24 X.5,SEMS.....101, 131, 143 |
| SCREW,HHC,1/4-20X1.25,8,ZAG.....271 | SCREW,HHC,M14 X 40MM,GR 8.8..126, 129, 151, 273 | SCREW,PHIL,PHM,10-32 X .5,SSTL.....189, 196, 199 |
| SCREW,HHC,3/4-10 X 1.75.....171 | SCREW,HHC,M5 X 12MM.....147 | SCREW,PHIL,PHM,6-32 X 1/4 SS.....75-76, 81, 189, 195-196, 199 |
| SCREW,HHC,3/4-10 X 2.75.....85 | SCREW,HHC,M6 X 1 X 20.....121 | SCREW,PHIL,PHM,10-32 X .5.....38, 41, 48 |
| SCREW,HHC,3/4-10 X 4 FULL THRD.....70-72 | SCREW,HHC,M6 X 16.....151 | SCREW,PHILLIPS,PHM,10-32 X .75....85, 89, 91, 137, 275 |
| SCREW,HHC,3/8-16 X .625.....173 | SCREW,HHC,M6 X 20MM,GR8.8.....125-126, 147 | SCREW,PHILLIPS,PHM,10-32 X 1.....57-58, 61-62, 65-66, 295 |
| SCREW,HHC,3/8-16 X .75.....70-72, 143, 173, 175 | SCREW,HHC,M6 X 25.....151 | SCREW,PHILLIPS,PHM,10-32 X.625...65-66, 275 |
| SCREW,HHC,3/8-16 X .88,GRD 8.....184-185 | SCREW,HHC,M8 X 1.25 X 120.....121 | SCREW,PHILLIPS,PHM,10-32 X1.25.....35, 143, 173 |
| SCREW,HHC,3/8-16 X 1.....57-58, 61-62, 65-66, 69-72, 87, 93, 99, 125-126, 139, 143, 145, 149, 155-156, 159, 171, 177, 179, 249 | SCREW,HHC,M8 X 1.25 X 25.....265 | SCREW,PHILLIPS,PHM,4-40 X .50.....137 |
| SCREW,HHC,3/8-16 X 1 GRD 8.....184-185 | SCREW,HHC,M8 X 1.25 X 30.....121 | SCREW,PHILLIPS,PHM,6-32 X .5.....79, 189 |
| SCREW,HHC,3/8-16 X 1.25 GRD 5.....47-48, 57-58, 61-62, 65-66, 87, 129, 133, 135, 147, 153, 155-156, 159, 175, 184-185, 265 | SCREW,HHC,M8 X 100.....135 | SCREW,PHILLIPS,PHM,8-32 X .5.....83 |
| SCREW,HHC,3/8-16 X 1.75,GRD.8.....57-58, 62, 65-66, 273, 285 | SCREW,HHC,M8 X 20MM.....93, 101, 103, 147 | SCREW,PHILLIPS,PHM,8-32 X 1.25.....115 |
| SCREW,HHC,3/8-16 X 2.....47-48, 57-58, 61-62, 85, 153, 155-156 | SCREW,HHC,M8 X 30MM,GRD 8.8.....149 | SCREW,PHILLIPS,RHM,10-32 X 1.5.....271 |
| SCREW,HHC,3/8-16 X 2.5.....155-156 | SCREW,HHC,M8 X 50.....97 | SCREW,PHM,10-32X3/4,ST TYPE F.....191 |
| SCREW,HHC,3/8-16 X 2.75.....147, 285 | SCREW,HHC,M8 X1.25X40,GRD10.9.....147, 149 | SCREW,PHM,10-32X1.5,ZAG.....303 |
| SCREW,HHC,3/8-16 X 3.25.....271 | SCREW,HHC,M8X1.25X 70MM,GR8.8.....143, 147, 255 | SCREW,PHPM,6-32X.875,ZAG.....303 |
| SCREW,HHC,3/8-16 X 3.5,GR5.....71-72 | SCREW,HHF, M14 X 40MM.....137 | SCREW,REAR FAN GUARD,TME27.....153 |
| SCREW,HHC,3/8-16 X 7.....175 | SCREW,HHF,1/2-13X1.8,ZAG.....47-48 | SCREW,RHM,10-32 X 1.....249 |
| SCREW,HHC,3/8-16X.75,8,ZAG.....175 | SCREW,HHF,1/2-13X1.5,8,ZAG.....47-48 | SCREW,RHM,8-32 X .50.....283 |
| SCREW,HHC,3/8-16X.875,8,ZAG.....184-185, 187 | SCREW,HHF,1/2-13X2.5,8,ZAG.....48, 165 | SCREW,SECURITY,1/4-20 X 1.75LG.....283 |
| SCREW,HHC,3/8-16X2.5,8,ZAG.....311 | SCREW,HHF,1/2-13X3,8,ZAG.....115 | SCREW,SECURITY,5/16-18X1.00.....283 |
| | SCREW,HHF,1/2-13X3.5,8,ZAG.....313 | SCREW,SER FLNG3/8UNCX3/4ZNYEL.....135 |
| | SCREW,HHF,1/4-20 X .75.....131, 133, 135, 267 | SCREW,SER/FLNG 10M-1.5X20MM BK....111 |
| | SCREW,HHF,1/4-20 X 1.00.....133, 135 | SCREW,SHC,1/2-13 X 1.25,A574...37-38, 47-48 |
| | SCREW,HHF,1/4-20X.625,8,ZAG.....187, 269 | SCREW,SHC,10-32 X 1.....153 |
| | SCREW,HHF,1/4-20X.75,8,ZAG.....35, 38, 47-48, 179, 187, 271, 301, 303, 309 | SCREW,SHC,3/4-10 X 3.00,A574.....71-72 |
| | SCREW,HHF,1/4-20X1.8,ZAG...108, 111, 115, 187, 255 | SCREW,SHC,5/16-18 X 2,PLATED.....70-72 |
| | SCREW,HHF,1/4-20X1.25,8,ZAG.....301 | SCREW,SHC,5/16-18X.75,A574,YZ.....69-72 |
| | SCREW,HHF,1/4-20X1.5,8,ZAG.....161, 255 | |

Part Description Index (continued)

| | | |
|---|--|---|
| SCREW,SHC,5/8-11 X 3.00,A574.....69-72 | SEAL KIT,WHEEL DRIVE W/BRAKE (227775).....41, 53 | SEPARATOR,DUAL BATTERY,100A.....89, 91, 159 |
| SCREW,SHC,5/8-11 X 3.50,A574.....70-72 | SEAL KIT,WHEEL HUB (102778).....38 | SEPARATOR/FILTER,FUEL-D,30MIC.....95, 117 |
| SCREW,SHC,5/8-11X3.5,A574,ZAG.....70-72 | S E A L M A R K E R , C R O S S C H E C K , B L U E , T U B E13-14 | SEPRTR/FLTR,FUEL DSL,15GPH.,30.....111 |
| SCREW,SHC,7/16-14 X 1.25.....149 | SEAL, CAP, NOTCHED.....69-72 | SERV KIT,SEC LIFT REPL.....171 |
| SCREW,SHC,M10X1.5 X 60 GR8.8.....133 | SEAL, CONNECTOR (DT JOYSTICKS).....203 | SERV MNFLD,SEC LIFT CYL PIL PR.....231 |
| SCREW,SHC,M10X1.5X20MM (75090).....129, 133 | SEAL, CRANKSHAFT, GM3.0L ENG.....167-168 | SET SCREW***.....55 |
| SCREW,SHC,M10X1.5X30 GR 12.9.....119, 126, 133 | SEAL, EXHAUST, H/T, GM3.0L ENG.....168 | SHAFT - OUTPUT (64290).....37-38 |
| SCREW,SHC,M16-2.0X55,DIN912,12.9,ZAB.35 | SEAL, GASKET, .0005" *SILVER*.....285 | SHAFT SEAL, APU.....57-58 |
| SCREW,SHS,1/4-20 X .25 ZINC.....81 | SEAL, GASKET, .00075" *GOLD*.....285 | SHAFT,MOTOR.....285 |
| SCREW,SHS,10-24 X .625.....125-126 | SEAL, GASKET, .0010".....285 | SHAFT,OUTPUT.....70-72 |
| SCREW,SHSH,M5XM16,ZINC.....95, 101 | SEAL, O-RING LIP.....69-72 | SHIELD,HEAT,GM 3.0L ENG.....167-168 |
| SEAL & WEAR PLATE KIT,LIFT/STR.....233 | SEAL, OIL FILLER CAP.....113 | SHIM,2.27 X .06.....85 |
| SEAL KIT...205, 207, 209, 211, 213-214, 217-218, 221, 223, 231, 279 | SEAL, POLY, CHAMFER.....69-72 | SHIM,AXLE ROTATION STOP,16G.....48 |
| SEAL KIT (111090).....38 | SEAL, SHAFT, 60511 APU.....57-58 | SHIM,AXLE ROTATION STOP,22G.....48 |
| SEAL KIT (121291)***.....41, 55 | SEAL,CONNECT,AMP SINGLE WIRE.....103 | SHIM,GALVANIZED STEER YOKE.....43, 45 |
| SEAL KIT (227775).....41, 53 | SEAL,CYL.HED.CVR.DEUTZ,F4L913.....121 | SHIM,PRIM.Boom,LIMIT SWITCH.....173 |
| SEAL KIT (39345).....47-48, 179, 229 | SEAL,EXHAUST,GM 3.0L ENG.....167-168 | SHIM,SIDE PAD 16GA. 3 X 5.....159, 165 |
| SEAL KIT (81383).....38 | SEAL,FILTER ASSY (60334)***.....87 | SHIM,STEER SENSOR ACTIVATOR.....35, 38, 41 |
| SEAL KIT (81387).....233 | SEAL,GREASE.....35 | SHIM,WEAR PAD,5 X 1.5,14GA.....173, 175 |
| SEAL KIT PLAT.LEVEL CYL, 61431.....179 | SEAL,INJECTOR,DEUTZ F4L913.....119 | SHIM,WEAR PAD,7 X 3,12GA.....173, 177 |
| SEAL KIT PWR WHL MOTOR.....71-72 | SEAL,O-RING,SQUARE.....69-72 | SHIM,WEAR PAD,7 X 3,16GA.....177 |
| SEAL KIT, 37185 PUMP.....57-58 | SEAL,RETAINING RING.....285 | SHOCK MOUNT,SMALL...101, 107-108, 131, 143, 149 |
| SEAL KIT, BRAKE (81381).....37-38 | SEAL,SHAFT.....285 | SHRINK TUBE, CAP, BLACK, 0.86".....277 |
| SEAL KIT, BRAKE, 4HP.....55 | SEAL,SHAFT (81381).....37-38 | SHROUD,17" FAN,6-CORE RADIATOR.....131 |
| SEAL KIT, HYD MOTOR, GEN.....289 | SEAL,SHAFT-SUNDSTRAND***.....37-38 | SHROUD,CNTRWT,Z80 404D-22T.....107-108 |
| SEAL KIT, SOLENOID VALVE...205, 207, 209, 211, 213-214, 217-218, 221, 223 | S E A L - I N J E C T O R , P E R K I N S 404D/F-22T.....107-108 | SHROUD,DEUTZ,AIR INTAKE.....121 |
| SEAL KIT, SWING BRAKE.....70-72 | SECONDARY EXT BOOM W/DECALS.....177 | SHROUD,FAN,PERKINS PAINTED.....101 |
| SEAL KIT, VALVE.....205, 211, 227 | SENDER, OIL PRESSURE, GM3.0L ENG.....167-168 | SHROUD,RADIATOR,FORD LGR425,PA....143 |
| SEAL KIT, VALVE 84129.....205 | SENDER,LOW FUEL INDICATOR.....57-58, 61-62, 65-66 | SHROUD,RADIATOR,GM,PAINTED.....139 |
| SEAL KIT, VALVE, #10.....221, 223 | SENDING UNIT,OIL PRESS PERKINS.....101 | SHUTDOWN SOLENOID,12V, DEUTZ.....125-126 |
| SEAL KIT, VALVE, #12.....285 | SENDING UNIT,OIL PRESS.,DEUTZ*.....126 | SIGHT GLASS.....135 |
| SEAL KIT, VALVE, #4.....207, 209, 213-214, 217-218, 221, 223 | SENDING UNIT,OIL PRESSURE***.....95, 139, 145, 151 | SLEAVING,PARKER TEK,2.00".....47-48 |
| SEAL KIT,52907,SIZE 4, 2 WAY.....227 | SENDING UNIT,OIL TEMP SWCH,DTZ.....126 | SLEEVE,CONNECTOR,DT JOYSTICKS....203 |
| SEAL KIT,8K ROTATOR***.....179 | SENDING UNIT,TMP,FRD,GM,PRK704.....97, 103 | SLIDING MIDRAIL KIT,PTD.....184-185, 187 |
| SEAL KIT,ARCTIC,ROTATOR 8.2K**.....179 | SENDING UNIT,H20TMP LRG425EFI*.....149 | SNAP RING,EXTERNAL,1.25,ZAG.....171, 175 |
| SEAL KIT,BRAKE***.....71-72 | SENSOR, 02, GM3.0L ENG.....167-168 | SNAP RING,EXTERNAL,1.75,ZAG.....47-48 |
| SEAL KIT,DRIVE MOTOR***.....37-38, 47-48 | SENSOR, MAP, GM3.0L ENG.....167-168 | SOL SPRING,SYNCHRO START 1751.....95 |
| SEAL KIT,FAIRFIELD (S1A2)***.....70-72 | SENSOR,AIR,CAT MONITOR***.....143 | SOLENOID CABLE ASSY***.....125-126 |
| SEAL KIT,HYD MOTOR(106184).....279 | SENSOR,ANGLE,PRIMARY BOOM.....173 | SOLENOID VALVE.....209, 217-218 |
| SEAL KIT,JIB CYLINDER (61430).....179 | SENSOR,AS,GM 3.0L ENG.....167-168 | SOLENOID,GLOW PLUG,DEUTZF4L913...121 |
| SEAL KIT,MOTOR,LC/KC***.....37-38, 41, 47-48 | SENSOR,C/SHAFT,GM 3.0L ENG.....167-168 | SOLENOID,MOTOR START,60511,APU.....57-58 |
| SEAL KIT,OSC CYLINDER (81330)*.....47-48 | SENSOR,CAMSHAFT,GM 3.0L ENG.....167-168 | SOLENOID,SHUT DOWN PERKIN40422...111 |
| SEAL KIT,PLAT ROTATE***.....179 | SENSOR,COOLANT LEVEL, DEUTZ.....135 | SOLENOID,SHUTDOWN DEUTZ F4L913.119 |
| SEAL KIT,PRIM EXT CYL,61429.....175 | SENSOR,COOLANT TEMP*.....149 | SOLENOID,SHUTDOWN,PERKINS ****.....95 |
| SEAL KIT,PRIM LIFT CYL (61428).....171 | SENSOR,COOLANT TEMP,VDO323-419...139 | SOLENOID,STARTER,DEUTZ F4L913.....121 |
| SEAL KIT,SAUER-DANFOSS M46***.....233 | SENSOR,ENGINE TEMP,TME27.....153 | SOLENOID,THROTTLE ACTUATOR DSL.....95, 101 |
| SEAL KIT,SEC EXT CYL(61427)***.....177 | SENSOR,LOW PRESSURE,DEUTZ 2.9L...137 | SOLENOID-STARTR DEUTZF4L1011F*....129 |
| SEAL KIT,SEC LIFT CYL (61426)*.....171 | SENSOR,MAP, TME2.7L ENGINE.....151 | SOUNDER LENS, OPA, AMBER.....301 |
| SEAL KIT,SOLENOID VALVE.....205, 207, 209, 211, 213-214, 217-218 | SENSOR,O2, TME27 EPA2007.....153 | SOUNDER LENS, OPA, BLUE.....301 |
| SEAL KIT,STEER CYL***.....35, 43, 45 | SENSOR,O2,CAT MUFFLER,DISCH.....155-156 | SOUNDER LENS, OPA, CLEAR.....301 |
| SEAL KIT,SUN "CWCA" CB VALVES*.....175 | SENSOR,O2,EXH.COLL., PIPE.....153 | SOUNDER LENS, OPA, RED.....301 |
| SEAL KIT,SUN T-2A CP VALVE.....175 | SENSOR,OIL PRS KIT,VDO0360-040.....119 | SOUNDER,MIDI,OPA.....301 |
| SEAL KIT,SWING BRAKE.....71-72 | SENSOR,OXYGEN LRG425EFI.....143 | SPACER.....285 |
| SEAL KIT,SWING BRAKE***.....70-72 | SENSOR,RUBBER EDGE.....301 | SPACER TUBE,.50 LG.....273 |
| SEAL KIT,SWING TORQ HUB***.....71-72 | SENSOR,TILT TURNTABLE(PLSTC)....57-58, 61-62, 65-66 | SPACER, FAN, DEUTZ, 38MM LNG.....135 |
| SEAL KIT,SWIVEL (88291).....69-72 | SENSOR,TILT,PCON (PLASTIC)***.....179 | SPACER, HANGER BRACKET.....313 |
| SEAL KIT,VALVE 62356, HYDAC.....225 | SENSOR,WATER TEMPERATURE.....113 | SPACER,.20 ID X .50 OD X .4 LG.....153 |
| SEAL KIT,VALVE 62357, HYDAC.....225 | SENSOR/BRKT KIT,GM 3.0L ENG.....167-168 | SPACER,ALT PULLEY,DEUTZ BF4L2011.....125-126 |
| SEAL KIT,VALVE 62359, HYDAC.....225 | | SPACER,ALT,GM 3.0L ENG.....168 |
| SEAL KIT,WHEEL DRIVE W/BRAKE (101584/101585).....55 | | SPACER,ENGINE MOUNT,TME27.....153 |

| | | |
|--|--|---|
| SPACER,FAN TO WATERPUMP LRG425.....143 | STRAINER ASSY,#24 O-RING.....57-58, 61-62, 65-66, 245 | TEE,BRANCH,520429-8.....287 |
| SPACER,HEAT SHIELD,TME27.....151 | STRAP, CONDUIT HOLDER 60****.....297 | TEE,BRANCH,520433-8.....287 |
| SPACER,HEAT SINK.....301 | STRAP,ALT,GM3.0L ENG.....168 | TEE,BRASS STREET,12 NPT.....103 |
| SPACER,HYD GEN MANIFOLD.....285 | STROBE,FIREBOLT,12-80VDC,AMB**.....249 | TEE,RUN,520428-8.....281, 291 |
| SPACER,PULLEY,DEUTZ GEN.....273 | STUD (102711).....38 | TENSION ARM,GENERATOR.....273 |
| SPARK PLUG WIRE SET, LRG425EFI.....149 | STUD,WHEEL,3/4-16.....35 | TERM,ALT.PERKINS 804,16/14 GA.....103 |
| SPARK PLUG WIRE SET,GM 3.0.....139, 167-168 | STUD,WHEEL,3/4-16, (34115).....38, 53, 55 | TERM,AMP MTE,SOC,22-26 GA BULK.....201, 203 |
| SPARK PLUG WIRE,TME27.....151 | SUMP DRAIN PLUG,PERKINS 404D/F-22T.....107-108 | TERM,NI PIN,S&F,16-18GA,REEL.....35 |
| SPARK PLUG, FORD LRG425.....14, 149 | SUPPORT, RAILING.....251-252, 255, 307, 309 | THERMOSTAT.....113 |
| SPARK PLUG, NGK BPR5ES.....151 | SUPPORT,RADIATOR,GM 3.0L ENG.....167-168 | THERMOSTAT -OIL COOLER (71259).....57-58, 62, 66 |
| SPARK PLUG-GM 3.0L ENGINE..13-14, 139, 167-168 | SUPPORT,SENSOR,JOYSTICK.....201, 203 | THERMOSTAT, 180 DEG.F.....101 |
| SPEED SENSOR CAM,PERKINS 404F-22T.....107-108 | SVC KIT,UK RECEPT.REPLACEMENT.....275 | THERMOSTAT, FORD LRG.....149 |
| SPEED SENSOR,CRANK SHAFT,PERKINS 404F-22T.....107-108 | SWING DRIVE ASSEMBLY.....70-72 | THERMOSTAT, GM3.0L ENG.....167-168 |
| SPIDER (106113).....279 | SWING MOTOR COMPLETE***.....70-72 | THERMOSTAT, PERKINS (53883).....97 |
| SPINDLE,STEER YOKE LH,2WD.....35 | SWING MOTOR,COMPLETE***.....71-72 | THERMOSTAT,CONTINENTAL TME27.....155-156 |
| SPINDLE,STEER YOKE RH,2WD.....35 | SWITCH LIMIT W/RLLR NO/NC GOLD.....173 | THERMOSTAT-ENG TEMP/GM3.0L.....139 |
| SPRING CLIP, M8-1.25, 0.8-4.0 X 13, ZAB.....107-108 | SWITCH SHIELD,ROCK JOYSTK75565.....201, 203 | THREADED ROD,1/4-28 X 10 IN***.....123 |
| SPRING CLIP,1/4-20,.025-.15X.54,ZAG.....47-48, 57-58, 61-62, 65-66, 87, 101, 105, 111, 184-185, 187, 275 | SWITCH TOGGLE ASSY SPDT 2P MOM.....189, 196, 305, 307, 309 | THREADED ROD,1/4-28 X 4.5.....173 |
| S P R I N G | SWITCH TOGGLE ASSY SPDT 3P MOM.....191, 193, 195-196, 199 | THROTTLE BODY.....139, 141 |
| CLIP,10-24,.025-.125X.468,ZAG.....107-108, 184-185, 187, 303 | SWITCH TOGGLE SPDT 3P MOM SHDR.....309 | THROTTLE BODY, 40MM.....168 |
| SPRING CLIP,3/8-16,.05-.20X.73,ZAG.....47-48, 57-58, 61-62, 65-66, 87, 115, 135, 137, 249, 299 | SWITCH, LOW OIL PRESS, TME27.....151 | THROTTLE LINK,DSL***.....95, 125-126 |
| Spring Kit.....53 | SWITCH, OIL PRESSURE 1.5 BAR.....125-126 | THROTTLE LINKAGE, DSL.....125-126 |
| SPRING KIT (121291).....55 | SWITCH,FAN BELT.....121 | THROTTLE LINKAGE,DIESEL.....101 |
| SPRING, SS, 1/2-EO500-49-4500.....305, 307 | SWITCH,LIMIT W/RLLR NO/NO GOLD.....177 | THROTTLE SOLENOID ASSY, TROMB.....125-126 |
| SPRING, SS, 3/4-EO750-69-4500.....305, 307 | SWITCH,LIMIT,TAB,BLUE,METAL.....48 | THROTTLE,ELECTRIC,TME2.7L ENG.....151 |
| SPRING,COMP,1" OD,232 LB/IN.....271 | SWITCH,LIMIT,TAB,BLUE,PLASTIC.....48 | TIRE & WHEEL ASSY,FOAM N-M LH.....37-38 |
| SPRING,DOWEL SLEEVE (81381).....37-38 | SWITCH,LIMIT,W/RLLR ARM,NC/NC.....177 | TIRE & WHEEL ASSY,FOAM N-M RH.....37-38 |
| SPRING,EXTENSION .38 X 3.0.....181 | SWITCH,LIMIT,W/RLLR ARM,NO/NC.....69-72, 173 | TIRE & WHEEL ASSY,FOAM NM,LH.....41 |
| SPRING,EXTENSION .44 X 6.0.....181 | SWITCH,LIMIT,W/RLLR ARM,NO/NC*.....171, 177 | TIRE & WHEEL ASSY,FOAM NM,RH.....41 |
| SPRING,EXTENSION,1.92LB/IN.....309 | SWITCH,LIMIT,W/RLLR,NO/NC GOLD.....69-72 | TIRE & WHEEL ASSY,FOAM RH, Z80.....37-38 |
| SPRING,JOYSTK CENTR,62390/91...201, 203 | SWITCH,LIMIT,W/RLLR,NO/NC.....69-72 | TIRE & WHEEL ASSY,FOAM, NM,LH.....41 |
| SPRING,SWITCH CENTERING,75565.....201, 203 | SWITCH,LIMIT,W/ROLLER,NC/NC.....69-72 | TIRE & WHEEL ASSY,RT LP FOAM,L.....41 |
| SQUEEZE CONN W/NUT, 2WIRE, 4MM.....295 | SWITCH,LIMIT,W/ROLLER,NO/NC.....179 | TIRE & WHEEL ASSY,RT LP FOAM,R.....41 |
| SQUEEZE CONNECTOR, 4 WIRE.....295 | SWITCH,LOAD LIMIT.....271 | TIRE & WHEEL,ASSY,FOAM LH, Z80.....37-38 |
| STAND OFF,CONTROL UNIT.....301 | S W I T C H , M E M B R A N E , G R O U N D | TIRE WHEEL ASSY,LEFT,SOLID.....41 |
| STANDOFF,6-32 X 1/2L X 1/4 HEX...189, 195-196, 199 | CONTROL.....76, 81 | TIRE WHEEL ASSY,RIGHT,SOLID.....41 |
| STARTER MOTOR, PERKINS (53883).....93 | SWITCH,MEMBRANE,PLATFORM.....191 | TIRE,445D50/710,18PR.....37-38, 41 |
| STARTER MOTOR,PERKINS(804C-33).....105 | SWITCH,OIL PRESSURE.....113 | TOEBOARD, TRI ENTRY 6', EURO...251-252 |
| STARTER, 12V.....129 | SWITCH,OIL PRESSURE ASSY.....149 | TOEBOARD,8'TRI ENTRY.....251-252 |
| STARTER, DEUTZ F4L913.....121 | SWITCH,PRESS,#4NPT,200PSIF.....279 | TOEBOARD,ENTRY EUROPEAN PNTD**.....184-185, 251-252 |
| STARTER, GM3.0L ENG.....167-168 | SWITCH,THERMOSTAT 60F OPEN.....75-76, 81 | TOOL TRAY ACCESSORY***.....251-252, 255 |
| STARTER,3.2KW,DEUTZ D2.9.....131 | SWIVEL,HYDRAULIC,Z80 (70238).....69-72 | TOP CLAMP,ARCTIC HOSE CBLTRK.....173 |
| STARTER,ENGINE,FORD LSG/LRG***.....143, 149 | | TRAY,BATTERY.....115, 159 |
| STARTER,GM 3.0L.....139 | | TRIM,EDGE,1/8X3/4 SIDE BULB.....107-108, 131 |
| STARTER,PERKINS 404F.....113 | | TRIMLOCK,BLACK,5/32".....297 |
| STARTER,TME 2.7L ENGINE.....153 | | TROLLEY,TRACK, FALL ARREST BAR.....313 |
| STARTING RING, PERKINS 404D/F-22T.....107-108 | | TUBE, RD, ALUM, 1.25 X .083 X 11.75.....269 |
| STEER YOKE,4WD,LF/RR,ASSEMBLY.....43 | | TUBE, RD, ALUM, 2.5 X .083 X 2.00.....141 |
| STEER YOKE,4WD,RF/LR,ASSEMBLY.....43 | | TUBE, STEEL, FUEL RETURN, 404F.....108 |
| STEP PLATFORM ENTRY PAINTED***.....184-185 | | TUBE,AIR INTAKE.....125-126 |
| STRAINER ASSY,#16 O-RING.....57-58, 61-62, 65-66, 245 | | TUBE,DIPSTICK,GM 3.0L ENG.....167-168 |
| | | TUBE,INLET,DEUTZ.....117 |
| | | TUBE,INTAKE,2.50 OD X 13".....145 |
| | | TUBE,INTAKE,2.50 OD X 15.63".....145 |
| | | TUBE,INTAKE,AIR CLEANER.....155-156 |
| | | TUBE,INTAKE,DEUTZ 2.9L.....133 |
| | | TUBE,INTAKE,PERKINS 404F-22T.....111 |
| | | TUBE,INTAKE,PRECLEANER.....265 |
| | | TUBE,RD,ALUM 2.5 X .083.....141 |
| | | TUBE,RD,ALUM 3 X .188.....117 |

T

T-BOX,2.75 X 4.5 X 2.0.....275, 277, 289
T-BOX,2.75X4.5X2.63,3PH.....283
TAILPIPE, Z80 404F-22.....108
TAILPIPE,DEUTZ 913 S80.....117
TAILPIPE,DEUTZ BF4L2011.....126, 161
TAILPIPE,EXHAUST,GM 3.0L ENG.....167-168
TAILPIPE,FORD LRG 425.....145
TANK ASSY, GAS, 30 GAL.....65-66
TANK ASSY,GAS,30 GAL,Z80.....61-62
TANK, 7 GAL/33.5 POUND, LP.....299
TANK,HYDRAULIC,45 GALLON.....57-58, 61-62, 65-66
TAPE, PROTECTIVE MASK.....25, 33

Part Description Index (continued)

- TUBE,RD,STL,ALM,2.50X.065X3.00.....161
TUBE,RD,STL,ALUMIZD,2.5 X .065.....103, 265
TUBE,SLIDING MIDRAIL,PAINTED.....184-185
TUBE,SQ,STL, 1.00 x 1.00 x .120.....255
TUBING,HEAT SHRINK THICK .75.....35
TUBING,VINYL,1/2" CLEAR.....108
TURBOCHARGER,PERKINS 404F-22T...107-108
- U**
- U-BOLT, FLATTENED, 1.5 X 3/8 UNC,ZAG.....187, 269, 297, 301, 311
U-BOLT, KIT 5/16-18 X 2.5 ***.....93, 117, 139
U-BOLT, SQR, 3/8-16X2X5, PLTD.....305, 307, 309
U-BOLT,1/2-13 X 8.5.....101, 126
U-BOLT,3/8 X 1 YZ.....283
U-BOLT,3/8-16X4X4.63X3.00.....283, 305, 307, 309
UBOLT,FLATTENED,1.5DIA X 3/8 UNC.....184-185
UNION,STR.THREAD 20.....245
UNION,STR.THREAD 24***.....245
UNISTRUT,FAN SHROUD BRACE,L,DE.....135
UNISTRUT,FAN SHROUD BRACE,R,DE.....133
- V**
- V BELT, COGGED, AX32.....273
V-BELT GUARD, DEUTZ 2011.....129
V-BELT, DEUTZ F4L2011.....13-14, 125-126
V-BELT, DEUTZ TD2011LOAI.....125-126
V-BELT, PERKINS 804C-33.....13-14, 103
VACUATOR VALVE.....143, 155-156
VALVE - COUNTERBALANCE**.....229
VALVE ASSY,BLEED***.....179
VALVE BALL,24 FSAE-24 FSAE***.....245
VALVE COIL 10V.....227
VALVE COVER,TME27.....151
VALVE SPRING,PERKINS 404D/F.....107-108
VALVE, CHECK.....205, 211, 223
VALVE, COMPENSATOR, 80 PSI.....227
VALVE, FLOW DIVIDER COMBINER.....211
VALVE, LOCK OFF, GM3.0L ENG.....167-168
VALVE, RELIEF, GEN, 3.0kW.....289
VALVE,BALL, 16 MSAE-16 FSAE***.....245
VALVE,BI-DIRECTIONAL FLOW.....205
VALVE,CB CWCA-LHN@3800 PSI.....171
VALVE,CHCEK,TME27.....153
VALVE,CHECK 65 PSI,(88115).....207, 209, 213-214, 217-218
VALVE,CHECK***.....207, 209, 213-214, 217-218, 221, 223
VALVE,CHECK,3 PSI***.....279
VALVE,CHECK,5 PSI.....205, 211, 223
VALVE,CHECK,IWP-S/CWP PWR ASSI.....227
VALVE,CHECK,PLAT.MANIFLD,HYDAC.....225
VALVE,COUNTERBAL,CBCA-LIN***.....70-72
VALVE,COUNTERBAL,CBBB-LHN@2000..179
VALVE,COUNTERBAL,CBBB-LHN@3500..179
VALVE,COUNTERBAL,CWCA-LHN@2000.171
VALVE,COUNTERBAL,CWCA-LHN@3000.175
VALVE,COUNTERBALANCE.....47-48, 171, 179
VALVE,COUNTERBALANCE 2500 PSI*.....177
VALVE,COUNTERBALANCE @1000***.....175
VALVE,COUNTERBALANCE(81366)***.....71-72
VALVE,COUNTERBALANCE,3500***.....171
- VALVE,COUNTERBALANCE,3800 PSI.....171
VALVE,DIFFERENTIAL SENSE,N.0.....225
VALVE,DIFFERENTIAL SENSE,N.C.....225
VALVE,DIFFERENTIAL SENSING.....221
VALVE,DIFFERENTIAL SENSING***.....221, 223
VALVE,DRAIN,FORD,BLOCK,RAD.....149
VALVE,EDC,PILOT,SAUER,M46***.....233
VALVE,FLOW CONTROL, 0.1GPM*.....227
VALVE,FLOW DIVIDER/COMBINER.....205, 211
VALVE,FLOW REGULATOR.....209, 217-218, 221
VALVE,FLOW REGULATOR 0.1 GPM.....221
VALVE,FLOW REGULATOR 1.2 GPM.....207, 213-214
VALVE,FLOW REGULATOR 2.3 GPM.....207, 213-214
VALVE,LP LOCKOUT W/CONN***.....143
VALVE,PCV-FORD LRG***.....14, 149
VALVE,PILOT OPER DIRECTIONAL.....279, 285
VALVE,PRI. FLOW REG 4.3.....285
VALVE,PROPORTIONAL ***.....223
VALVE,PROPORTIONAL, 12V **.....221, 223
VALVE,PVC,TMEW7.....153
VALVE,RELIEF 1300 PSI (70242).....221, 223
VALVE,RELIEF 2400 PSI***.....285
VALVE,RELIEF 250 PSI(70247).....205
VALVE,RELIEF 2600 PSI (70242).....223
VALVE,RELIEF 3200 PSI (70542).....223
VALVE,RELIEF 750 PSI (88113).....207, 209, 213-214, 217-218
VALVE,RELIEF,250 PSI.....211
VALVE,RELIEF 2600 PSI.....221, 231
VALVE,RELIEF,3000 PSI.....223
VALVE,SHUTTLE.....205, 211
VALVE,SHUTTLE***.....71-72
VALVE,SHUTTLE, HYDAC.....225
VALVE,SOLENOID (18660)***.....285
VALVE,SOLENOID 2 POS 2 WAY.....221, 223, 231
VALVE,SOLENOID 2 POS 3 WAY.....221
VALVE,SOLENOID 2 POS.3 WAY.....207, 209, 211, 213-214, 217-218
VALVE,SOLENOID 3 POS 4 WAY.....207, 209, 213-214, 217-218, 221
VALVE,SOLENOID 3POS 4WAY*.....223
VALVE,SOLENOID, 2 POS, 3 WAY.....205, 221, 223
VALVE,SOLENOID,10V,W/OUT COIL*.....279
VALVE,SOLENOID,2 POS 2 WAY.....227
VALVE,SOLENOID,3POS4WAY,HYDAC.....225
VALVE-CHECK, #4 SAE, 5 PSI*.....227
VALVE-FLOW REGULATOR 2 GPM.....211
VAPORIZER REGULATOR PRIM 16.5.....139
Verify Engine Make and Model Before Ordering.....137
VITON SEAL KIT, VALVE.....227
VOLTAGE REGULATOR,110V.....275
VOLTAGE REGULATOR,220V.....275
- W**
- WASHER, FLAT, F436, 1.0, ZAG.....184-185, 187
W A S H E R , F L A T , M6X18X1.6,DIN9021,ZAB.....301
WASHER, NYLON #10, 0.093.....199
WASHER,#10,LOCK.....153
- WASHER,3/8 HARD.STEEL-FLAT,USS.....153, 155-156
WASHER,ALT,GM3.0L ENG.....168
WASHER,CRANKSHAFT,TME27.....151
WASHER,CRUSH,COOLANT SENSOR.....135
WASHER,CYL.HED CVR.DEUTZF4L913...121
WASHER,FENDER,.25 X 1.25 X.062.....85
WASHER,FLAT NYLON #10.....115, 189
WASHER,FLAT,#10,USS,ZAG.....107-108
WASHER,FLAT,375 X 1.5 X .125.....131, 143, 149
WASHER,FLAT,375X1.50X.125,ZAG.....107-108, 311
WASHER,FLAT,5 HARDENED.....37-38, 71-72, 93, 101, 105, 119, 126, 139, 147, 153, 155-156, 249, 279
WASHER,FLAT,625 HARDENED.....48, 69-72, 126, 129, 131, 137
WASHER,FLAT,625 X 2.25 X.15.....99, 103, 123, 126, 129, 137, 141
WASHER,FLAT,75 HARDENED.....71-72
WASHER,FLAT,1.0,USS,ZAG.....51
WASHER,FLAT,1.000,HARDENED.....184-185
WASHER,FLAT,1.56 X 2.5 X .061.....103, 123, 126, 129, 137, 175
WASHER,FLAT,2.0 X 4.5 X .25.....35
WASHER,FLAT,2.27 X 3.5 X .06.....171
WASHER,FLAT,3/8,SAE,HRD,ZAG...184-185, 187
WASHER,FLAT,3/8,USS,ZAG.....311
WASHER,FLAT,3/8X1.5X.06.....271
WASHER,FLAT,313, HARDENED.....184-185
WASHER,FLAT,5/8,F436,HRD,ZAG.....37-38, 47-48
WASHER,FLAT,GM3.0L ENG.....168
WASHER,FLAT,HRD,1.063X2X.134.....85
WASHER,FLAT,M10,ZINC PLTD.....103, 105, 119, 126, 129, 133, 155-156
WASHER,FLAT,M12.....101, 105, 123, 133, 137, 141, 273
WASHER,FLAT,M14.....126, 129, 273
WASHER,FLAT,M14 HARDENED.....151
WASHER,FLAT,M14,DEUTZ F4L913.....123
WASHER,FLAT,M6 PLTD.....85, 147, 151
WASHER,FLAT,M6,DEUTZ F4L913.....121
WASHER,FLAT,M8 DEUTZ, F4L913.....121
WASHER,FLAT,M8,YELLOW ZINC...101, 103, 135, 147, 149, 153, 265
WASHER,FLAT,MS,#10,Y.....57-58, 61-62, 65-66, 131, 137, 143, 196, 199, 249, 271, 295
WASHER,FLAT,MS,#8,Y.....189, 199, 283
WASHER,FLAT,USS,1/2",Y.....47-48, 58, 62, 66, 72, 145, 149, 285, 289
WASHER,FLAT,USS,1/4"Y.....57-58, 61-62, 65-66, 70-72, 76, 81, 85, 87, 93, 95, 99, 101, 105, 117, 123, 125-126, 133, 135, 137, 139, 141, 143, 145, 147, 153, 155-156, 159, 179, 184-185, 189, 195-196, 199, 251-252, 257, 259, 261, 265, 269, 271, 289, 297, 305, 307
WASHER,FLAT,USS,1/4,ZAG.....35, 38, 41, 47-48, 65-66, 301, 311
WASHER,FLAT,USS,3/8",Y.....43, 45, 57-58, 61-62, 65-66, 87, 93, 101, 105, 133, 135, 137, 141, 143, 145, 147, 149, 153, 155-156, 173, 175, 177, 271, 273, 275, 279, 285, 299
WASHER,FLAT,USS,5/16",Y.....47-48, 57-58, 61-62, 65-66, 85, 87, 91, 93, 95, 99, 101, 103, 105, 125-126, 129, 133, 139, 143, 153, 155-

| | | |
|--|---|--|
| 156, 159, 179, 184-185, 187, 265, 269, 273, 279, 283, 285, 289, 305, 307 | WELDMNT, LEFT CONTACT ALARM, LARGE.....303 | WIRE CABLE,16/4 CON.TPE JKT.....173, 177, 179 |
| WASHER,FLAT,USS,5/8",Y.....103, 123 | WELDMNT, PIPE CRADLE.....297 | WIRE HARNESS,PLAT MANFLD Z80.....189, 195-196, 199 |
| WASHER,FLAT,USS,7/16",Y.....273 | WELDMNT, PRECLEANER MT, DEUTZ/PERKINS.....267 | WIRE LOOM,3/4 DIA.....103 |
| WASHER,ISOLATOR,TME27.....153 | WELDMNT, PRIMARY EXT. BOOM.....175 | WIRE LOOM,3/8 POLY SLIT.....184-185 |
| WASHER,LCK,ALT,GM3.0L ENG.....168 | WELDMNT, REAR MOUNT,ENGINE.....137 | WIRE,12/3 SJEOW,BK-WH-GR/YL.....87 |
| WASHER,LOCK,#10 PLTD.....38, 41, 48, 153 | WELDMNT, RIGHT CONTACT ALARM, LARGE.....303 | WIRE,COIL,HVS,GM 3.0L ENG.....167-168 |
| WASHER,LOCK,.25.....35, 38, 41, 47-48, 57-58, 62, 65-66, 76, 81, 85, 87, 99, 123, 179, 181, 184-185, 189, 195-196, 199, 252, 275 | WELDMNT, SENSOR MOUNT.....305, 307, 309 | WLDMT, ENGINE TRAY, Z80 T4 DEUTZ.....159, 165 |
| WASHER,LOCK,.313.....57-58, 61-62, 65-66, 70-72, 93 | WELDMNT, SKIDPLATE**.....305, 307 | WLDMT, FUEL CIRCUIT, Z80.....137 |
| WASHER,LOCK,.375.....35, 38, 43, 45, 48, 69-72, 85, 87, 139, 143, 153, 155-156, 159, 171, 175, 179, 249, 273, 299 | WELDMNT, SWING GATE.....187 | WLDT, INTAKE, T4 DEUTZ, Z80/S80.....133 |
| WASHER,LOCK,.437,PLTD.....273 | WELDMNT,4/5FT PLATFORM SUPPOR.....184-185 | WORKLIGHT,110V,250WATT,HALOGEN..251-252 |
| WASHER,LOCK,.625 PLTD.....251-252 | WELDMNT,AIR BOX PAINTED.....125-126 | WORKLIGHT,48 VOLT.....251-252 |
| WASHER,LOCK,.75 PLTD.....71-72, 85, 171 | WELDMNT,AIRCRAFT SENSOR BUMPR.....305, 307 | |
| WASHER,LOCK,0.5".....47-48, 171, 177, 179 | WELDMNT,BELLCRANK ASSY,SRV.....179 | Z |
| WASHER,LOCK,1".....51, 85 | WELDMNT,CABLE TRACK TRAY Z80.....173 | Z80 AIRLINE TO PLATFORM,1/2"ID.....277 |
| WASHER,LOCK,1/4,ZAG.....65-66 | WELDMNT,COOLING AIRBOX.....125-126 | Z80 HF WHEEL ASSEMBLY,LH.....37-38, 41 |
| WASHER,LOCK,M10..93, 139, 143, 147, 149, 151, 273 | WELDMNT,COUNTERWEIGHT,PLUG.....51 | Z80 HF WHEEL ASSEMBLY,RH.....37-38, 41 |
| WASHER,LOCK,M12.....97 | WELDMNT,ENGINE MOUNT,INBOARD.....99 | Z80 LH COVER ASSY,W/WRD DECALS.....85 |
| WASHER,LOCK,M14.....99, 151 | WELDMNT, OUTBOARD.....99 | Z80 PLAT BOX ASSY.....189 |
| WASHER,LOCK,M6.....125-126, 147, 151 | WELDMNT,EXHAUST COLL.PIPE...155-156 | Z80 PLAT MANIFOLD SERV KIT.....225 |
| WASHER,LOCK,M6,DEUTZ F4L913.....119 | WELDMNT,EXHAUST PIPE.....153 | Z80 REAR AXLE ASSY.STEER(SERV).....47-48 |
| WASHER,LOCK,M8.....97, 143, 147, 149 | WELDMNT,EXHAUST TUBE.....85 | Z80 RELAY COVER W/WORD DECAL.....87 |
| WASHER,M4 NYLON.....301 | WELDMNT,GUIDE BRACKET,YOKE.....41 | Z80 STEEL FUEL TANK SRVC KIT.....61-62 |
| WASHER,M5 NYLON.....301 | WELDMNT,HEAD PIPE,GM.....141 | Z80 STEER YOKE, LF/RR ASSY.....43 |
| WASHER,OIL DRAIN DEUTZ F4L913.....119 | WELDMNT,INTAKE,PERKINS 404F.....111 | Z80 STEER YOKE, RF/LR ASSY.....43 |
| WASHER,RIVETING.....95 | WELDMNT,KEYSWITCH COVER.....75-76 | ZERK,GREASE,1/8 NPT.....70-72 |
| WASHER,SHIM .0151 THK.....271 | WELDMNT,LEFT COVER SUPPORT.....85 | ZERK,GREASE,5/16-24,STRAIT.....271 |
| WASHER,SHIM,1.27 X 2.13 X .062.....175 | WELDMNT,LONG GUIDE TUBE.....173 | |
| WASHER,SPINDLE, 500 LB BOOM.....85 | WELDMNT,LP BOTTLE MOUNT.....57-58, 61-62, 65-66 | —Continental TME-27 Models—.....14 |
| WASHER,STAR,EXTERNAL,.375.....81 | WELDMNT,MUFFLER MOUNT,PTD.....155-156 | —Deutz BF4L-2011 / TD2011-L04i Models—.....13-14 |
| WASHER,THRUST 5 X 1.81 BRONZE.....35, 43, 45 | WELDMNT,MUFFLER,FORD TIER2.....145 | —Deutz F3L-913 Models—.....13-14 |
| WASHER,THRUST,(33434)**.....55 | WELDMNT,PIPE CRADLE MOUNT.....297 | —Deutz TD 2.9L4 Models—.....13-14 |
| WASHER,THRUST,TORQUE HUB.....70-72 | WELDMNT,PLATFORM SUPPORT,CE.....271 | —Ford LRG-425 Models—.....14 |
| WATER INLET TUBE, FORD.....149 | WELDMNT,REAR ENGINE MOUNT.....129 | —GENERAL SERVICE PARTS—.....13-14 |
| WATER OUTLET, VERTICAL.....113 | WELDMNT,RIGHT COVER SUPPORT.....85 | —GM 3.0L EFI Models—.....13-14 |
| WATER PUMP.....113 | WELDMNT,RISER CABLE TUBE.....177 | —HYDRAULIC FILTERS—.....13-14 |
| WATER PUMP GASKET.....151 | WELDMNT,TRACK PULL TUBE PIVOT...175 | —INSPECTION SERVICE KITS—.....13-14 |
| WATER PUMP PULLEY,PERKINS 404D.....107-108 | WELDMNT,TRANSPORT LOCK.....69-72 | —MANUALS—.....13-14 |
| WATER PUMP, CONTINENTAL TME27.....151 | WELDMNT,TUBE,AIR INTAKE.....155-156 | —Perkins 404F-22T Models—.....13-14 |
| WATER PUMP, PERKINS (53883).....97 | WELDMNT,6 FT PLATFORM.....183-185 | —Perkins 704-30 Models—.....13-14 |
| WDMT,AIRCRAFT SENSOR BUMPER.....309 | WHEEL DRIVE W/BRAKE 86.74:1.....41, 55 | —Perkins 804D-33 Models—.....13-14 |
| WDMT,SKID PLATE.....309 | WHEEL DRIVE W/BRAKE,57.49:1.....38 | |
| WEAR PAD,5 X 1.5 X .625 W/NUTS...175, 177 | WHEEL DRIVE W/BRAKE,59.28:1.....38 | |
| WEAR PAD,5 X 1.5 X .75 W/NUTS.....173 | WHEEL DRIVE W/BRAKE,60.2:1.....37-38 | |
| WEAR PAD,5.5 X 1.75 X .5.....175 | WHEEL DRIVE W/BRAKE,91.97:1.....38 | |
| WEAR PAD,7 X 3 X 1 W/NUTS.....177 | WHEEL DRIVE,2WD 92.5:1.....38 | |
| WEAR PAD,7 X 3 X 6.25 W/INSERT.....175 | WHEEL DRIVE,86.74:1***.....38, 55 | |
| WEAR PAD,7 X 3 X .75 W/NUTS.....173, 175, 177 | WHEEL DRIVE,W/BRAKE 57.49:1.....41, 53 | |
| WEAR PAD,7X3X.625 W/NUTS.....177 | WHEEL DRIVE,W/BRAKE, OMNI, 57.49:1...41 | |
| WEAR PAD,CABLE TRACK PULL TUBE...175 | WHEEL STUD, 3/4-16 X 60MM.....37-38 | |
| WEAR PAD,ENGINE TRAY.....159, 165 | WHEEL STUD, OMNI VB11.....41 | |
| WELD, LPG TANK MOUNT.....299 | WHEEL, CRANK POSITION.....151 | |
| WELDER,INVERTEC V275-S.....283 | WHEEL,28.00X15.00.....37-38 | |
| WELDMNT W/DECALS,5FT,500LB AN.....183-185 | WIPER,BOTTOM,RISER.....259 | |
| WELDMNT, AIRCRAFT TOP BUMPER.....307, 309 | WIPER,PRIMARY BOOM BOTTOM.....259 | |
| WELDMNT, EXHAUST SUPPORT.....107-108 | WIPER,PRIMARY BOOM SIDE.....259 | |
| WELDMNT, GUIDE BRACKET.....38 | WIPER,PRIMARY BOOM, TOP.....259 | |
| | WIPER,RING GEAR.....261 | |
| | WIPER,SIDE.....259 | |
| | WIPER,TOP,RISER.....259 | |
| | WIRE CABLE 8/4 CON.SO.....279 | |

Fitting Cross References

| Genie PN | Parker PN | Description | Genie PN | Parker PN | Description |
|----------|-----------------|---|----------|---------------|---|
| 12342 | 6-4 F5OX-S | CONNECTOR,STRAIGHT THREAD TO FLARE TUBE | 42794 | 1 CR-S | ELBOW,90°,MALE PIPE |
| 13757 | 4 R6X-S | RUN TEE,SWIVEL NUT,ORFS | 42795 | BV-0839 | BALL VALVE |
| 19685 | 12-10 C5OX-S | ELBOW,90°,STRAIGHT THREAD TO FLARE TUBE | 42796 | BV-0838 | BALL VALVE |
| 22664 | 12-10 C5OX | ELBOW,90°,STRAIGHT THREAD TO FLARE TUBE | 42874 | 6-8 CLO-S | ELBOW,90°,MALE PIPE TO ORFS |
| 27431 | 8-12 F5OX-S | CONNECTOR,STRAIGHT THREAD TO FLARE TUBE | 42912 | 13943-6-4 | HOSE END,90° FEMALE SWIVEL,JIC |
| 28678 | AS-B-33 | SLEEVE,NYLON,1.81" ID | 42920 | BV-0840 | BALL VALVE,90° |
| 39871 | 6 WETX-WLN-S | UNION,90° BULKHEAD W/NUT,FLARE TUBE | 42932 | AS-B-17 | SLEEVE,NYLON,1.22" ID |
| 39872 | 4 R5OX-S | RUN TEE,STRAIGHT THREAD | 42936 | 10243-2-4 | HOSE END,FEMALE PIPE |
| 39873 | 6 C5OX-S | ELBOW,90°,STRAIGHT THREAD TO FLARE TUBE | 42953 | 1/2 DD-S | ELBOW,90°,FEMALE PIPE |
| 39874 | 8-6 C5OX-S | ELBOW,90°,STRAIGHT THREAD TO FLARE TUBE | 42956 | 6 WELO-WLNL-S | UNION,90° BULKHEAD W/NUT,ORFS |
| 39875 | 4-6 C5OX-S | ELBOW,90°,STRAIGHT THREAD TO FLARE TUBE | 45349 | 8 V5OX-S | ELBOW,45°,STRAIGHT THREAD TO FLARE TUBE |
| 39876 | 6-8 C5OX-S | ELBOW,90°,STRAIGHT THREAD TO FLARE TUBE | 45351 | 4 V5OX-S | ELBOW,45°,STRAIGHT THREAD TO FLARE TUBE |
| 39877 | 4 F5OX-S | CONNECTOR,STRAIGHT THREAD TO FLARE TUBE | 47223 | 10343-6-6 | HOSE END,MALE,JIC |
| 39878 | 6 F5OX-S | CONNECTOR,STRAIGHT THREAD TO FLARE TUBE | 47419 | PS690503-6-6 | SWIVEL,90°,STRAIGHT THREAD TO 37° FLARE |
| 39879 | 4-8 F5OX-S | CONNECTOR,STRAIGHT THREAD TO FLARE TUBE | 48750 | 421-4 | HOSE,1/4 INCH ID |
| 39880 | 6-10 F5OX-S | CONNECTOR,STRAIGHT THREAD TO FLARE TUBE | 48751 | 481TC-4 | HOSE,1/4 INCH ID |
| 39881 | 4-6 F5OX-S | CONNECTOR,STRAIGHT THREAD TO FLARE TUBE | 48752 | 482TC-4 | HOSE,1/4 INCH ID |
| 39882 | 4-HP5ON-S | PLUG,STRAIGHT THREAD | 48753 | 451TC-6 | HOSE,3/8 INCH ID |
| 39883 | 8-8 FTX-S | CONNECTOR,MALE PIPE TO FLARE TUBE | 48754 | 482TC-6 | HOSE,3/8 INCH ID |
| 39885 | 269HB 12-12 | ELBOW,90°,BEADED HOSE BARB TO MALE PIPE | 48755 | 381-6 | HOSE,3/8 INCH ID |
| 39886 | 431-6 | HOSE,3/8 INCH ID | 48756 | 451TC-8 | HOSE,1/2 INCH ID |
| 39887 | 540N-2 | HOSE,1/8 INCH ID | 48757 | 482TC-8 | HOSE,1/2 INCH ID |
| 39888 | 801-8 | HOSE,1/2 INCH ID | 48758 | 381-8 | HOSE,1/2 INCH ID |
| 39889 | 801-12 | HOSE,3/4 INCH ID | 48759 | 381-10 | HOSE,5/8 INCH ID |
| 39890 | 10643-6-6 | HOSE END,FEMALE SWIVEL,JIC | 48760 | 451TC-10 | HOSE,5/8 INCH ID |
| 39891 | 13943-6-6 | HOSE END,90° FEMALE SWIVEL,JIC | 48761 | 482TC-12 | HOSE,3/4 INCH ID |
| 39892 | 13743-6-6 | HOSE END,45° FEMALE SWIVEL,JIC | 48762 | 451TC-12 | HOSE,3/4 INCH ID |
| 39894 | 30682-8-8 | HOSE END,FEMALE SWIVEL,JIC | 48763 | 772-12 | HOSE,3/4 INCH ID |
| 39895 | 30682-10-12 | HOSE END,FEMALE SWIVEL,JIC | 48764 | 881-16 | HOSE,1 INCH ID |
| 42286 | 8-8 CTX-S | ELBOW,90°,MALE PIPE TO FLARE TUBE | 48765 | 772-16 | HOSE,1 INCH ID |
| 42756 | 8-12 CLO-S | ELBOW,90,MALE PIPE TO ORFS | 48766 | AS-B-15 | SLEEVE,NYLON,1.06" ID |
| 42757 | 8-12 FLO-S | CONNECTOR,MALE PIPE TO ORFS | 48767 | AS-B-22 | SLEEVE,NYLON,1.42" ID |
| 42758 | 4 JLO-S | UNION TEE,ORFS | 48770 | 881-8 | HOSE,1/2 INCH ID |
| 42759 | 4-4 FLO-S | CONNECTOR,MALE PIPE TO ORFS | | | |
| 42760 | 6-8 FLO-S | CONNECTOR,MALE PIPE TO ORFS | | | |
| 42761 | 1J143-6-4 | HOSE END,90° FEMALE SWIVEL,SEAL LOK | | | |
| 42762 | 1J743-6-4 | HOSE END,45° FEMALE SWIVEL,SEAL LOK | | | |
| 42768 | 1JO43-4-4 | HOSE END,MALE,SEAL LOK | | | |
| 42776 | 601-8 | HOSE,1/2 INCH ID | | | |
| 42777 | 1J743-16-16 | HOSE END,45° FEMALE SWIVEL,SEAL LOK | | | |
| 42786 | 16 CLO-S | ELBOW,90°,MALE PIPE TO ORFS | | | |
| 42787 | 16 R6LO-S | RUN TEE,SWIVEL NUT,ORFS | | | |
| 42788 | 16-8 TRLO-BL-S | REDUCER,TUBE END TO SWIVEL,ORFS | | | |
| 42789 | 6-6 CLO-S | ELBOW,90°,MALE PIPE TO ORFS | | | |
| 42790 | 8-10 V5OLO-S | ELBOW,45°,STRAIGHT THREAD TO ORFS | | | |
| 42791 | 3/4 CD-S | ELBOW,90°,MALE TO FEMALE PIPE | | | |
| 42792 | 3/4 X 1/2 PTR-S | REDUCER,MALE TO FEMALE PIPE | | | |
| 42793 | 1/2 CR-S | ELBOW,90°,MALE PIPE | | | |

Fitting Cross References (Continued)

| Genie PN | Parker PN | Description | Genie PN | Parker PN | Description |
|----------|-------------|-------------------------------------|----------|-----------------|--|
| 48771 | 881-10 | HOSE,5/8 INCH ID | 48847 | 13943-12-12 | HOSE END,90° FEMALE SWIVEL,JIC |
| 48772 | 381-4 | HOSE,1/4 INCH ID | 48848 | 10543-12-12 | HOSE END,MALE,STRAIGHT THREAD |
| 48773 | AS-B-13 | SLEEVE,NYLON,.86" ID | 48849 | 1JC71-12-12 | HOSE END,FEMALE SWIVEL,SEAL LOK |
| 48800 | 1JC43-4-4 | HOSE END,FEMALE SWIVEL,SEAL LOK | 48850 | 1JS71-12-12 | HOSE END,FEMALE SWIVEL,SEAL LOK |
| 48801 | 1J743-4-4 | HOSE END,45° FEMALE SWIVEL,SEAL LOK | 48851 | 1J171-12-12 | HOSE END,90° FEMALE SWIVEL,SEAL LOK |
| 48802 | 1J943-4-4 | HOSE END,90° FEMALE SWIVEL,SEAL LOK | 48852 | 1J771-12-12 | HOSE END,45° FEMALE SWIVEL,SEAL LOK |
| 48804 | 1JM43-4-4 | HOSE END,MALE,SEAL LOK, NO O-RING | 48853 | 1J971-12-12 | HOSE END,90° FEMALE SWIVEL,SEAL LOK |
| 48805 | 10643-4-4 | HOSE END,FEMALE SWIVEL,JIC | 48854 | 1JC43-16-16 | HOSE END,FEMALE SWIVEL,SEAL LOK |
| 48806 | 13943-4-4 | HOSE END,90° FEMALE SWIVEL,JIC | 48855 | 1J943-16-16 | HOSE END,90° FEMALE SWIVEL,SEAL LOK |
| 48807 | 1JS43-4-4 | HOSE END,FEMALE SWIVEL,SEAL LOK | 48856 | 1J171-16-16 | HOSE END,90° FEMALE SWIVEL,SEAL LOK |
| 48808 | 3JC82-8-8 | HOSE END,FEMALE SWIVEL,SEAL LOK | 48857 | 1J971-16-16 | HOSE END,90° FEMALE SWIVEL,SEAL LOK |
| 48809 | 3JC82-12-12 | HOSE END,FEMALE SWIVEL,SEAL LOK | 48859 | 1JS43-8-4 | HOSE END,FEMALE SWIVEL,SEAL LOK |
| 48810 | 1JC43-6-4 | HOSE END,FEMALE SWIVEL,SEAL LOK | 48867 | PD36BTL | DIAGNOSTIC NIPPLE,SEAL-LOK SWIVEL |
| 48811 | 1J943-6-4 | HOSE END,90° FEMALE SWIVEL,SEAL LOK | 48873 | 6 PNLO-S | PLUG,TUBE END,ORFS |
| 48812 | 1JC43-6-6 | HOSE END,FEMALE SWIVEL,SEAL LOK | 48874 | 6 PNTX-S | PLUG,FLARE TUBE |
| 48813 | 1J143-6-6 | HOSE END,90° FEMALE SWIVEL,SEAL LOK | 48875 | 6 R6LO-S | RUN TEE,SWIVEL NUT,ORFS |
| 48814 | 1J543-6-6 | HOSE END,90° FEMALE SWIVEL,SEAL LOK | 48877 | 4 F5OLO-SW/.025 | CONNECTOR,STRAIGHT THREAD TO ORFS, W/.025 ORI |
| 48815 | 1J743-6-6 | HOSE END,45° FEMALE SWIVEL,SEAL LOK | 48878 | 16-12 C5OLO-S | ELBOW,90°,STRAIGHT THREAD TO ORFS |
| 48816 | 1J943-6-6 | HOSE END,90° FEMALE SWIVEL,SEAL LOK | 48879 | 8 C6LO-S | ELBOW,90°,SWIVEL NUT ORFS |
| 48817 | 1JS43-6-8 | HOSE END,FEMALE SWIVEL,SEAL LOK | 48880 | PD6-285 | CAP,DIAGNOSTIC NIPPLE |
| 48818 | 1J943-8-4 | HOSE END,90° FEMALE SWIVEL,SEAL LOK | 48881 | 6 HLO-S | UNION,ORFS |
| 48819 | 1JC43-8-6 | HOSE END,FEMALE SWIVEL,SEAL LOK | 48883 | 8 P5ON-S | PLUG,STRAIGHT THREAD |
| 48820 | 1J743-8-6 | HOSE END,45° FEMALE SWIVEL,SEAL LOK | 48884 | 8M18F87OMLO-S | CONNECTOR,METRIC,STRAIGHT THREAD TO ORFS |
| 48821 | 1J943-8-6 | HOSE END,90° FEMALE SWIVEL,SEAL LOK | 48885 | 4 WGTX-WLN-S | CONNECTOR,BULKHEAD,FEMALE PIPE TO FLARE TUBE |
| 48822 | 1JC43-8-8 | HOSE END,FEMALE SWIVEL,SEAL LOK | 48886 | 4 F5OLO-SW/2MM | CONNECTOR,MACHINED STRAIGHT THREAD TO ORFS |
| 48823 | 1JS43-8-8 | HOSE END,FEMALE SWIVEL,SEAL LOK | 48887 | 4 CTX-S | ELBOW,90°,MALE PIPE TO FLARE TUBE |
| 48824 | 1J143-8-8 | HOSE END,90° FEMALE SWIVEL,SEAL LOK | 48888 | 10-12 V5OLO-S | ELBOW,45°,STRAIGHT THREAD TO ORFS |
| 48825 | 1J543-8-8 | HOSE END,90° FEMALE SWIVEL,SEAL LOK | 48890 | 4 S5OLO-S | BRANCH TEE,STRAIGHT THREAD TO ORFS |
| 48826 | 1J743-8-8 | HOSE END,45° FEMALE SWIVEL,SEAL LOK | 48891 | 4 S6LO-S | BRANCH TEE,SWIVEL NUT TO ORFS |
| 48827 | 1J943-8-8 | HOSE END,90° FEMALE SWIVEL,SEAL LOK | | | |
| 48828 | 1JC43-10-8 | HOSE END,FEMALE SWIVEL,SEAL LOK | | | |
| 48829 | 1JS43-10-8 | HOSE END,FEMALE SWIVEL,SEAL LOK | | | |
| 48830 | 1J743-10-8 | HOSE END,45° FEMALE SWIVEL,SEAL LOK | | | |
| 48831 | 1J943-10-8 | HOSE END,90° FEMALE SWIVEL,SEAL LOK | | | |
| 48833 | 1JC43-10-10 | HOSE END,FEMALE SWIVEL,SEAL LOK | | | |
| 48834 | 1J943-10-10 | HOSE END,90° FEMALE SWIVEL,SEAL LOK | | | |
| 48835 | 1JS43-10-12 | HOSE END,FEMALE SWIVEL,SEAL LOK | | | |
| 48836 | 1JC43-12-8 | HOSE END,FEMALE SWIVEL,SEAL LOK | | | |
| 48837 | 1JS43-12-8 | HOSE END,FEMALE SWIVEL,SEAL LOK | | | |
| 48838 | 1J743-12-8 | HOSE END,45° FEMALE SWIVEL,SEAL LOK | | | |
| 48839 | 1J943-12-8 | HOSE END,90° FEMALE SWIVEL,SEAL LOK | | | |
| 48840 | 1J943-12-10 | HOSE END,90° FEMALE SWIVEL,SEAL LOK | | | |
| 48841 | 1JC43-12-12 | HOSE END,FEMALE SWIVEL,SEAL LOK | | | |
| 48842 | 1JO43-12-12 | HOSE END,MALE,SEAL LOK | | | |
| 48843 | 1J143-12-12 | HOSE END,90° FEMALE SWIVEL,SEAL LOK | | | |
| 48844 | 1J543-12-12 | HOSE END,90° FEMALE SWIVEL,SEAL LOK | | | |
| 48845 | 1J743-12-12 | HOSE END,45° FEMALE SWIVEL,SEAL LOK | | | |
| 48846 | 1J943-12-12 | HOSE END,90° FEMALE SWIVEL,SEAL LOK | | | |

Fitting Cross References (Continued)

| Genie PN | Parker PN | Description | Genie PN | Parker PN | Description |
|----------|-------------------|--|----------|----------------|--|
| 48892 | 6 C6LO-S | ELBOW,90°,SWIVEL NUT ORFS | 48938 | 8 R6LO-S | RUN TEE,SWIVEL NUT,ORFS |
| 48893 | 6 F5OHAO-S | UNION,STRAIGHT THREAD | 48939 | 8 S6LO-S | BRANCH TEE,SWIVEL NUT TO ORFS |
| 48894 | 8 WLO-WLNL-S | UNION,BULKHEAD,ORFS | 48940 | 8 WJLO-WLNL-S | RUN TEE, BULKHEAD,ORFS |
| 48895 | DT-370-MSMO-5 | VALVE,CHECK | 48941 | 8-4 TRLO-S | REDUCER,TUBE END TO SWIVEL,ORFS |
| 48896 | 6 JLO-S | UNION,TEE,ORFS | 48942 | 8-6 C5OLO-S | ELBOW,90°,STRAIGHT THREAD TO ORFS |
| 48897 | DT-750-MSMS-5 | VALVE,CHECK | 48943 | 8-6 F5OLO-S | CONNECTOR,STRAIGHT THREAD TO ORFS |
| 48898 | DT-750-MOMS-5 | VALVE,CHECK | 48944 | 8-8 FLO-S | CONNECTOR,MALE PIPE TO ORFS |
| 48899 | DT-620-MOMS-5 | VALVE,CHECK | 48945 | 8 FTX-S | CONNECTOR,MALE PIPE TO FLARE TUBE |
| 48900 | 4-6 F5OLO-SW/.035 | CONNECTOR,STRAIGHT THREAD TO ORFS, W/.035 ORI | 48946 | 8-10 F5OLO-S | CONNECTOR,STRAIGHT THREAD TO ORFS |
| 48902 | 16-1 AOE4G-S | ELBOW,90° LONG,FEMALE PIPE TO STRAIGHT THREAD | 48947 | 8-12 C5OLO-S | ELBOW,90°,STRAIGHT THREAD TO ORFS |
| 48903 | 1 FF-S | NIPPLE,PIPE | 48948 | 8-12 F5OLO-S | CONNECTOR,STRAIGHT THREAD TO ORFS |
| 48904 | 4 C5OLO-S | ELBOW,90°,STRAIGHT THREAD TO ORFS | 48949 | 8-16 F5OLO-S | CONNECTOR,STRAIGHT THREAD TO ORFS |
| 48905 | 4 F5OLO-S | CONNECTOR,STRAIGHT THREAD TO ORFS | 48950 | 10 C5OLO-S | ELBOW,90°,STRAIGHT THREAD TO ORFS |
| 48906 | 4 R5OLO-S | RUN TEE,STRAIGHT THREAD | 48951 | 10 CC5OLO-S | ELBOW,90° LONG,STRAIGHT THREAD TO ORFS |
| 48907 | 4 V5OLO-S | ELBOW,45°,STRAIGHT THREAD TO ORFS | 48952 | 10 F5OLO-S | CONNECTOR,STRAIGHT THREAD TO ORFS |
| 48908 | 4 R6LO-S | RUN TEE,SWIVEL NUT,ORFS | 48953 | 10 R5OLO-S | RUN TEE,STRAIGHT THREAD |
| 48909 | 4 WJLO-WLNL-S | RUN TEE, BULKHEAD,ORFS | 48954 | 10 S5OLO-S | BRANCH TEE,STRAIGHT THREAD TO ORFS |
| 48910 | 4 GTX-S W/.030 | CONNECTOR,FEMALE PIPE TO FLARE TUBE | 48955 | 10 R6LO-S | RUN TEE,SWIVEL NUT,ORFS |
| 48911 | 4-6 C5OLO-S | ELBOW,90°,STRAIGHT THREAD TO ORFS | 48956 | 10-4 TRLO-BL-S | REDUCER,TUBE END TO SWIVEL,ORFS |
| 48912 | 4-6 F5OLO-S | CONNECTOR,STRAIGHT THREAD TO ORFS | 48957 | 10-6 TRLO-BL-S | REDUCER,TUBE END TO SWIVEL,ORFS |
| 48913 | 4-6 F5OLO-SW/.030 | CONNECTOR,STRAIGHT THREAD TO ORFS, W/.030 ORI | 48958 | 10-12 F5OLO-S | CONNECTOR,STRAIGHT THREAD TO ORFS |
| 48914 | 4-8 F5OLO-S | CONNECTOR,STRAIGHT THREAD TO ORFS | 48959 | 12 C5OLO-S | ELBOW,90°,STRAIGHT THREAD TO ORFS |
| 48915 | 6 C5OLO-S | ELBOW,90°,STRAIGHT THREAD TO ORFS | 48960 | 12 F5OLO-S | CONNECTOR,STRAIGHT THREAD TO ORFS |
| 48916 | 6 F5OLO-S | CONNECTOR,STRAIGHT THREAD TO ORFS | 48961 | 12 R5OLO-S | RUN TEE,STRAIGHT THREAD |
| 48917 | 6 FF5OLO-S | CONNECTOR,LONG,STRAIGHT THREAD TO ORFS | 48962 | 12 S5OLO-S | BRANCH TEE,STRAIGHT THREAD TO ORFS |
| 48918 | 6 R5OLO-S | RUN TEE,STRAIGHT THREAD | 48963 | 12 V5OLO-S | ELBOW,45°,STRAIGHT THREAD TO ORFS |
| 48919 | 6 S5OLO-S | BRANCH TEE,STRAIGHT THREAD TO ORFS | 48964 | 12 R6LO-S | RUN TEE,SWIVEL NUT,ORFS |
| 48920 | 6 V5OLO-S | ELBOW,45°,STRAIGHT THREAD TO ORFS | 48965 | 12 CLO-S | ELBOW,90°,MALE PIPE TO ORFS |
| 48921 | 6 FLO-S | CONNECTOR,MALE PIPE TO ORFS | 48966 | 12 FLO-S | CONNECTOR,MALE PIPE TO ORFS |
| 48922 | 6-6 FLO-S | CONNECTOR,MALE PIPE TO ORFS | 48967 | 12 JLO-S | UNION TEE,ORFS |
| 48923 | 6 P5ON-S | PLUG,STRAIGHT THREAD | 48968 | 12 WLO-WLNL-S | UNION,BULKHEAD,ORFS |
| 48925 | 6 WELO-S | UNION,90° BULKHEAD,ORFS | 48969 | 12 WJLO-WLNL-S | RUN TEE, BULKHEAD,ORFS |
| 48926 | 6-4 C5OLO-S | ELBOW,90°,STRAIGHT THREAD TO ORFS | 48970 | 12 WELO-WLNL-S | UNION,90° BULKHEAD W/NUT,ORFS |
| 48927 | 6-4 F5OLO-S | CONNECTOR,STRAIGHT THREAD TO ORFS | | | |
| 48928 | 6-4 V5OLO-S | ELBOW,45°,STRAIGHT THREAD TO ORFS | | | |
| 48929 | 6-8 C5OLO-S | ELBOW,90°,STRAIGHT THREAD TO ORFS | | | |
| 48930 | 6-8 F5OLO-S | CONNECTOR,STRAIGHT THREAD TO ORFS | | | |
| 48931 | 6-10 F5OLO-S | CONNECTOR,STRAIGHT THREAD TO ORFS | | | |
| 48932 | 8 C5OLO-S | ELBOW,90°,STRAIGHT THREAD TO ORFS | | | |
| 48933 | 8 F5OLO-S | CONNECTOR,STRAIGHT THREAD TO ORFS | | | |
| 48934 | 8 FF5OLO-S | CONNECTOR,LONG,STRAIGHT THREAD TO ORFS | | | |
| 48935 | 8 R5OLO-S | RUN TEE,STRAIGHT THREAD | | | |
| 48936 | 8 S5OLO-S | BRANCH TEE,STRAIGHT THREAD TO ORFS | | | |
| 48937 | 8 V5OLO-S | ELBOW,45°,STRAIGHT THREAD TO ORFS | | | |

Fitting Cross References (Continued)

| Genie PN | Parker PN | Description | Genie PN | Parker PN | Description |
|----------|---------------|--|----------|----------------|--|
| 48971 | 12 G5G5JG5-S | TEE,FEMALE STRAIGHT THREAD | 49612 | PKT02586 | O-RING KIT (ORFS FITTINGS) |
| 48972 | 12 XHL6-S | ADAPTER, 37° MALE TO SWIVEL ORFS | 49613 | PKT06276 | PLUG AND CAP KIT-SERVICE,ORFS |
| 48973 | 12-1/2 F5OG-S | ADAPTER,FEMALE PIPE TO STRAIGHT THREAD | 49728 | 10143-12-12 | HOSE END, MALE PIPE |
| 48974 | 12-10 C5OLO-S | ELBOW,90°,STRAIGHT THREAD TO ORFS | 49729 | 16-1 F5OG-S | ADAPTER,FEMALE PIPE TO STRAIGHT THREAD |
| 48975 | 12-10 F5OLO-S | CONNECTOR,STRAIGHT THREAD TO ORFS | 49814 | 12-8 FLO-S | CONNECTOR,MALE PIPE TO ORFS |
| 48976 | 12-16 C5OLO-S | ELBOW,90°,STRAIGHT THREAD TO ORFS | 49829 | DT-500-MOMF-5 | VALVE,CHECK |
| 48977 | 12-16 F5OLO-S | CONNECTOR,STRAIGHT THREAD TO ORFS | 49831 | 881-12 | HOSE,3/4 INCH ID |
| 48978 | 12-16 V5OLO-S | ELBOW,45°,STRAIGHT THREAD TO ORFS | 49834 | 16 JLO-S | UNION TEE,ORFS |
| 48980 | 12-16 FLO-S | CONNECTOR,MALE PIPE TO ORFS | 49838 | 12-8 TRLO-BL-S | REDUCER,TUBE END TO SWIVEL,ORFS |
| 48983 | 16 C5OLO-S | ELBOW,90°,STRAIGHT THREAD TO ORFS | 49840 | 8 JLO-S | UNION TEE,ORFS |
| 48984 | 16 F5OLO-S | CONNECTOR,STRAIGHT THREAD TO ORFS | 49844 | 10-8 TRLO-BL-S | REDUCER,TUBE END TO SWIVEL,ORFS |
| 48985 | 16 V5OLO-S | ELBOW,45°,STRAIGHT THREAD TO ORFS | 49854 | 8 P5ON-S | PLUG,STRAIGHT THREAD |
| 48986 | 16 FLO-S | CONNECTOR,MALE PIPE TO ORFS | 49855 | 1JC43-16-12 | HOSE END,FEMALE SWIVEL,SEAL LOK |
| 48988 | 16 CD45-S | ELBOW,45°,MALE TO FEMALE PIPE | 49859 | 4 P5ON-S | PLUG,STRAIGHT THREAD |
| 48989 | 12 CD45-S | ELBOW,45°,MALE TO FEMALE PIPE | 49861 | 4 FF5OLO-S | CONNECTOR,LONG,STRAIGHT THREAD TO ORFS |
| 48990 | 8 CD45-S | ELBOW,45°,MALE TO FEMALE PIPE | 49867 | 12-3/4 F5OG-S | ADAPTER,FEMALE PIPE TO STRAIGHT THREAD |
| 48991 | 16-12 FLO-S | CONNECTOR,MALE PIPE TO ORFS | 51152 | 6 R6X-S | RUN TEE,SWIVEL NUT,ORFS |
| 48992 | 16-12 V5OLO-S | ELBOW,45°,STRAIGHT THREAD TO ORFS | 51153 | 6-4 TRTX-S | REDUCER,TUBE END TO SWIVEL,ORFS |
| 48993 | XV501-12 | BALL VALVE | 51154 | 4-4 GTX | CONNECTOR,FEMALE PIPE TO FLARE TUBE |
| 48994 | XV501-16 | BALL VALVE | 51264 | 881-12 | HOSE,3/4 INCH ID |
| 48995 | XV510P-12 | BALL VALVE | 51265 | 8 JLO-S | UNION TEE,ORFS |
| 48996 | XV510P-16 | BALL VALVE | 51508 | 6 BTX-S | NUT,FLARE TUBE |
| 48997 | PD341 | DIAGNOSTIC NIPPLE, STRAIGHT THREAD | 51580 | 12-8 TRLO-BL-S | TUBE END REDUCER,ORFS |
| 48998 | PD 361 | DIAGNOSTIC NIPPLE, STRAIGHT THREAD | 51628 | 6 R6X-S | RUN TEE,SWIVEL NUT,ORFS |
| 48999 | DT-500-MOMS-5 | VALVE,CHECK | 51735 | 3/8 HHP | PLUG,PIPE THREAD |
| 49201 | 10 V5OLO-S | ELBOW,45°,STRAIGHT THREAD TO ORFS | 51803 | 1J943-6-8 | HOSE END,90° FEMALE SWIVEL,SEAL LOK |
| 49202 | 1JC43-12-10 | HOSE END,FEMALE SWIVEL,SEAL LOK | 53023 | 125HBL-5-4 | FITTING,HOSE BARB TO MALE PIPE |
| 49203 | 10-8 V5OLO-S | ELBOW,45°,STRAIGHT THREAD TO ORFS | 53497 | PKT02585 | O-RING KIT |
| 49205 | 6 F5OHAO-S | UNION,STRAIGHT THREAD | 53499 | 1JC71-16-16 | HOSE END,FEMALE SWIVEL,SEAL LOK |
| 49207 | PD34BTL | DIAGNOSTIC NIPPLE,SEAL-LOK SWIVEL | 53500 | 3-904 | O-RING,STRAIGHT THREAD,-4 |
| 49209 | 8M18F870MX-S | CONNECTOR,METRIC,STRAIGHT THREAD TO FLARE TUBE | 53501 | 3-906 | O-RING,STRAIGHT THREAD,-6 |
| 49212 | 8 WGTX-WLN-S | CONNECTOR,BULKHEAD,FEMALE PIPE TO FLARE TUBE | 53502 | 3-908 | O-RING,STRAIGHT THREAD,-8 |
| 49213 | 30682-8-8 | HOSE END,FEMALE SWIVEL,JIC | 53503 | 3-910 | O-RING,STRAIGHT THREAD,-10 |
| 49216 | 831-8 | HOSE,1/2 INCH ID | | | |
| 49217 | 33982-8-8 | HOSE END,90° FEMALE SWIVEL,JIC | | | |
| 49219 | PS-B-35 | SLEEVE,NYLON,2.19" ID | | | |
| 49418 | 4-6 V5OLO-S | ELBOW,45°,STRAIGHT THREAD TO ORFS | | | |
| 49511 | DT370-MOMS-5 | VALVE,CHECK | | | |
| 49512 | 1 DD-S | ELBOW,90°,FEMALE PIPE | | | |
| 49513 | 1 FF-S | NIPPLE,PIPE | | | |
| 49514 | 10 HP5ON-S | PLUG,STRAIGHT THREAD | | | |
| 49515 | 12-16 CLO-S | ELBOW,90°,MALE PIPE TO ORFS | | | |
| 49517 | 6 HP5ON-S | PLUG,STRAIGHT THREAD | | | |
| 49519 | 16-12 F5OLO-S | CONNECTOR,STRAIGHT THREAD TO ORFS | | | |
| 49520 | 4 VTX-S | ELBOW,45°,MALE PIPE TO FLARE TUBE | | | |
| 49530 | 16 C6LO-S | ELBOW,90°,SWIVEL NUT ORFS | | | |

Fitting Cross References (Continued)

| Genie PN | Parker PN | Description | Genie PN | Parker PN | Description |
|----------|---------------|--|----------|-----------------|--|
| 53535 | 3-912 | O-RING,STRAIGHT THREAD,-12 | 61083 | 24 F5OLO-S | CONNECTOR,STRAIGHT THREAD TO ORFS |
| 53536 | 4-PNLO-S | PLUG,TUBE END,ORFS | 61086 | 20 R5OLO-S | RUN TEE,STRAIGHT THREAD |
| 53537 | 6 PNLO-S | PLUG,TUBE END,ORFS | 61090 | 24-20 F5OLO-S | CONNECTOR,STRAIGHT THREAD TO ORFS |
| 53538 | 8 PNLO-S | PLUG,TUBE END,ORFS | 61091 | 1J943 24-24 | HOSE END,90° FEMALE SWIVEL,SEAL LOK |
| 53539 | 10 PNLO-S | PLUG,TUBE END,ORFS | 61093 | 1J978-12-12 | HOSE END,90° FEMALE SWIVEL,JIC |
| 53540 | 12 PNLO-S | PLUG,TUBE END,ORFS | 61095 | 1JS43-20-16 | HOSE END,FEMALE SWIVEL,SEAL LOK |
| 53946 | 129HB-5-4 | FITTING,90° HOSE BARB TO MALE PIPE | 61100 | 811-24 | HOSE,11/2 INCH ID |
| 53951 | 8-1/4F50G-S | ADAPTER,FEMALE PIPE TO STRAIGHT THREAD | 61130 | 1JS43-24-24 | HOSE END,FEMALE SWIVEL,SEAL LOK |
| 53980 | 6 S6LO-S | BRANCH TEE,SWIVEL NUT TO ORFS | 61131 | 1JS78 12-12 | HOSE END,FEMALE SWIVEL,SEAL LOK |
| 54132 | 4 C6LO-S | ELBOW,90°,SWIVEL NUT ORFS | 61132 | 1J778-12-12 | HOSE END,45° FEMALE SWIVEL,JIC |
| 54135 | 11343-16-16 | HOSE END,MALE SWIVEL,PIPE | 61152 | 139HB-6-4 | ELBOW,45°,BARB TO MALE PIPE |
| 54283 | 8-10 C5OLO-S | ELBOW,90°,STRAIGHT THREAD TO ORFS | 61251 | BV-0750 | BALL VALVE |
| 54428 | 8M18C870MLO-S | ELBOW, 90° METRIC, STRAIGHT THREAD TO ORFS | 61259 | 4 CC5OLO-S | ELBOW,90° LONG,STRAIGHT THREAD TO ORFS |
| 54803 | FS-F-16-10 | SLEEVE,FIRE,-96" ID | 61260 | 20-12 TRLO-BL | REDUCER,TUBE END TO SWIVEL,ORFS |
| 54954 | 10143-2-4 | HOSE END, MALE PIPE | 61262 | 12 C6LO-S | ELBOW,90°,SWIVEL NUT ORFS |
| 55190 | 3/8 HP-S | PLUG,PIPE THREAD | 61263 | 20 F5OHAO-S | UNION,STRAIGHT THREAD |
| 55448 | 8 HLO-S | UNION,ORFS | 61264 | 6-10 C5OLO-S | ELBOW,90°,STRAIGHT THREAD TO ORFS |
| 55839 | 6 F65OX-S | CONNECTOR,STRAIGHT THREAD TO 37° SWIVEL | 61265 | 6 WNLO-WLNL-S | UNION,BULKHEAD 45°,ORFS |
| 55968 | 10 C5OX-S | ELBOW,90°,STRAIGHT THREAD TO FLARE TUBE | 61268 | 4 WNLO-WLNL-S | UNION,BULKHEAD 45°,ORFS |
| 56003 | 6 CC5OLO-S | ELBOW,90° LONG,STRAIGHT THREAD TO ORFS | 61269 | 4 WLO-WLNL-S | UNION,BULKHEAD,ORFS |
| 56166 | BV-0837 | BALL VALVE,90° | 61272 | 12 AOEL6 | ELBOW,90°,STRAIGHT THREAD TO ORFS SWIVEL |
| 56188 | 10143-8-6 | HOSE END, MALE PIPE | 61316 | 482TC-16 | HOSE,1 INCH ID |
| 56233 | 2-011 | O-RING,ORFS,-4 | 61321 | 6 JLO-S | UNION TEE,ORFS |
| 56234 | 2-012 | O-RING,ORFS,-6 | 61327 | 782-12 | HOSE,3/4 INCH ID |
| 56235 | 2-014 | O-RING,ORFS,-8 | 61328 | 881-24 | HOSE,11/2 INCH ID |
| 56236 | 2-016 | O-RING,ORFS,-10 | 61336 | 11943-20-24 | HOSE END,90° FLANGE HEAD |
| 56237 | 2-018 | O-RING,ORFS,-12 | 61345 | 12 WJLO-WLNL-S | RUN TEE, BULKHEAD,ORFS |
| 56238 | 2-021 | O-RING,ORFS,-16 | 61346 | 8 WNLO-WLNL-S 4 | UNION,BULKHEAD 45°,ORFS |
| 56352 | 6 WLNL-S | LOCKNUT,BULKHEAD | 61569 | 33782-8-8 | HOSE END,45° FEMALE SWIVEL,JIC |
| 56353 | 3J782-12-12 | HOSE END,45° FEMALE SWIVEL,SEAL LOK | 61610 | 12 FF5OLO-S | CONNECTOR,LONG,STRAIGHT THREAD TO ORFS |
| 56354 | 3J982-12-12 | HOSE END,90° FEMALE SWIVEL,SEAL LOK | 61742 | 1/8 X 1.5 FFF | NIPPLE,PIPE |
| 56604 | 10-8 F5OLO-S | CONNECTOR,STRAIGHT THREAD TO ORFS | 63426 | 8 PNTX-S | PLUG,FLARE TUBE |
| 56639 | 3JC82-10-10 | HOSE END,FEMALE SWIVEL,SEAL LOK | | | |
| 56640 | 3J982-10-10 | HOSE END,90° FEMALE SWIVEL,SEAL LOK | | | |
| 56655 | 3JC82-8-10 | HOSE END,FEMALE SWIVEL,SEAL LOK | | | |
| 56676 | 10-8 C5OLO-S | ELBOW,90°,STRAIGHT THREAD TO ORFS | | | |
| 56776 | 471TC-6 | HOSE,3/8 INCH ID | | | |
| 56777 | 471TC-8 | HOSE,1/2 INCH ID | | | |
| 56789 | 811-16 | HOSE,1 INCH ID | | | |
| 57884 | 3/8 FF | NIPPLE,PIPE | | | |
| 59335 | 6 FNL-S | CAP, TUBE END | | | |
| 59342 | 4 FNL-S | CAP, TUBE END | | | |
| 59371 | 8 HP50N-S | PLUG,STRAIGHT THREAD | | | |
| 60653 | BV-0751 | BALL VALVE | | | |
| 60806 | 125HB-3-4 | FITTING,HOSE BARB TO MALE PIPE | | | |
| 61064 | 5-1/4 F50G-S | ADAPTER,FEMALE PIPE TO STRAIGHT THREAD | | | |
| 61079 | 4 WELO-WLNL-S | UNION,90° BULKHEAD W/NUT,ORFS | | | |
| 61080 | 6 WLO-WLNL-S | UNION,BULKHEAD,ORFS | | | |

Fitting Cross References (Continued)

| Genie PN | Parker PN | Description | Genie PN | Parker PN | Description |
|----------|----------------|--|----------|----------------|--|
| 64271 | 4 WLO-WLNL-S | UNION,BULKHEAD,ORFS | 75631 | 801-6 | HOSE,3/8 INCH ID |
| 64272 | 6 WLO-WLNL-S | UNION,BULKHEAD,ORFS | 75654 | 20 F5OLO-S | CONNECTOR,STRAIGHT THREAD TO ORFS |
| 65776 | 8 F65OL-S | CONNECTOR,STRAIGHT THREAD TO ORFS SWIVEL | 75655 | 1J943-20-20 | HOSE END,90° FEMALE SWIVEL,SEAL LOK |
| 65880 | 6001012 | O-RING KIT | 75656 | 881-20 | HOSE,1-1/4 INCH ID |
| 66154 | 6 WTX-WLNS | UNION,BULKHEAD,FLARE TUBE | 75971 | 8 F5OHAO-S | UNION,STRAIGHT THREAD |
| 66155 | 6 WETX-S | UNION,BULKHEAD 90°,FLARE TUBE | 77307 | 1JB43-8-8 | HOSE END,BULKHEAD,SEAL LOK |
| 66156 | 6 WLN-S | BULKHEAD LOCKNUT | 77309 | 8 WLNL-S | BULKHEAD LOCKNUT |
| 66389 | 6-8 F5OX-S | CONNECTOR,STRAIGHT THREAD TO FLARE TUBE | 77379 | 8M18C87OMX-S | ELBOW,90° METRIC,STRAIGHT THREAD TO FLARE TUBE |
| 66392 | 6 R5OX-S | RUN TEE,STRAIGHT THREAD | 77703 | 3J982-8-8 | HOSE END,90° FEMALE SWIVEL,SEAL LOK |
| 66396 | 811-12 | HOSE,3/4 INCH ID | 77711 | 801-10 | HOSE,5/8 INCH ID |
| 66829 | H3174PP | CLAMP,TUBE | 77758 | 12 WNLO-WLNL-S | UNION,BULKHEAD 45°,ORFS |
| 67217 | 4 KLO-S | UNION,CROSS,ORFS | 78091 | 6 C6X-S | ELBOW,90°,SWIVEL NUT TO FLARE TUBE |
| 67339 | 10-6 F5OX-S | CONNECTOR,STRAIGHT THREAD TO FLARE TUBE | 78684 | 30582-8-8B | HOSE END,PUSH LOK,MALE |
| 67357 | 13943-8-6 | HOSE END,90° FEMALE SWIVEL,JIC | 78852 | 549-2 | HOSE,1/8 INCH ID |
| 67358 | 10 HP5ON-S | PLUG,STRAIGHT THREAD | 78855 | 10657-4-2 | HOSE END,FEMALE SWIVEL,JIC |
| 67371 | 12 S6LO-S | BRANCH TEE,SWIVEL NUT TO ORFS | 79138 | PS-B-37 | SLEEVE,NYLON,2.38" ID |
| 67498 | 4 FNL-S | CAP, TUBE END | 79476 | 1JS43-6-8 | HOSE END,FEMALE SWIVEL,SEAL LOK |
| 67906 | DC-370-F0F0-5 | VALVE,CHECK | 79847 | 12-3/4 A0EG-S | ELBOW,90°,STRAIGHT THREAD TO FEMALE PIPE |
| 69316 | 8 FLO-S | CONNECTOR,MALE PIPE TO ORFS | 80044 | 8 CLO-S | ELBOW,90°,MALE PIPE TO ORFS |
| 69333 | H3174PP | CLAMP,HYDRAULIC HOSE | 80502 | 8 F5OX-S | CONNECTOR,STRAIGHT THREAD TO FLARE TUBE |
| 69503 | 4 F65OX-S | CONNECTOR,STRAIGHT THREAD TO 37° SWIVEL | 80503 | 8 C5OX-S | ELBOW,90°,STRAIGHT THREAD TO FLARE TUBE |
| 69775 | 8 FNL-S | CAP, TUBE END | 81010 | AS-B-27 | SLEEVE,NYLON,1.63" ID |
| 71038 | 1/4X1/4F3HG-S | ADAPTER,CONVERSION | 83052 | 821-6 | HOSE,3/8 INCH ID |
| 71196 | 12-8 F5OLO-S | CONNECTOR,STRAIGHT THREAD TO ORFS | 83053 | 821-8 | HOSE,1/2 INCH ID |
| 71383 | 1/4 CD45-S | ELBOW,45°,MALE TO FEMALE PIPE | 83054 | 821-12 | HOSE,3/4 INCH ID |
| 72270 | 12FNL-S | CAP, TUBE END | 83055 | 30682-6-6 | HOSE END,FEMALE SWIVEL,JIC |
| 73436 | 60C-4 | SLEEVE,COMPRESSION | 83056 | 30682-12-12 | HOSE END,FEMALE SWIVEL,JIC |
| 73437 | 61C-4 | NUT,COMPRESSION | 83057 | 33782-6-6 | HOSE END,45° FEMALE SWIVEL,JIC |
| 73438 | 33482-4-4B | HOSE END,PUSH LOK,MALE | 83058 | 33982-6-6 | HOSE END,90° FEMALE SWIVEL,JIC |
| 73767 | 1CD-S | ELBOW,90°,MALE TO FEMALE PIPE | 83060 | 33982-12-12 | HOSE END,90° FEMALE SWIVEL,JIC |
| 73768 | 20-16-F5OG5-S | ADAPTER,FEMALE PIPE TO STRAIGHT THREAD | 83063 | 13743-4-4 | HOSE END,45° FEMALE SWIVEL,JIC |
| 73769 | 16-20 F5OLO-S | CONNECTOR,STRAIGHT THREAD TO ORFS | | | |
| 74660 | 6-8 F42EDMLO-S | CONNECTOR,MALE BSPP TO ORFS | | | |
| 74661 | 8-8 F42EDMLO-S | CONNECTOR,MALE BSPP TO ORFS | | | |
| 75007 | 4 FLO-S | CONNECTOR,MALE PIPE TO ORFS | | | |
| 75008 | 1/8 HP-S | PLUG,PIPE THREAD | | | |
| 75014 | 1/2 HP-S | PLUG,PIPE THREAD | | | |
| 75042 | 8 WELO-WLNL-S | UNION,90° BULKHEAD W/NUT,ORFS | | | |
| 75043 | 3/4 FF-S | NIPPLE,PIPE | | | |
| 75254 | 24 F5OHAO-S | UNION,STRAIGHT THREAD | | | |
| 75255 | 12 F5OHAO-S | UNION,STRAIGHT THREAD | | | |
| 75256 | XV506P-24 | BALL VALVE | | | |
| 75574 | 4 WLNL-S | BULKHEAD LOCKNUT | | | |
| 75612 | 8 WJLO-WLNL-S | RUN TEE, BULKHEAD,ORFS | | | |
| 75613 | 12-8 F5OG5-S | ADAPTER,FEMALE PIPE TO STRAIGHT THREAD | | | |
| 75614 | 8 CC5OLO-S | ELBOW,90° LONG,STRAIGHT THREAD TO ORFS | | | |
| 75628 | 1JB43-4-4 | HOSE END,BULKHEAD,SEAL LOK | | | |

Fitting Cross References (Continued)

| Genie PN | Parker PN | Description | Genie PN | Parker PN | Description |
|----------|---------------|-------------------------------------|----------|---------------|---|
| 83064 | 13743-8-8 | HOSE END,45° FEMALE SWIVEL,JIC | 89449 | 6 WJLO-WLNL-S | RUN TEE, BULKHEAD,ORFS |
| 83065 | 13743-12-12 | HOSE END,45° FEMALE SWIVEL,JIC | 89489 | 4 WJMLO-S | BRANCH TEE,BULKHEAD,ORFS |
| 83066 | 13943-8-8 | HOSE END,90° FEMALE SWIVEL,JIC | 89551 | 1JB43-6-6 | HOSE END,BULKHEAD,SEAL LOK |
| 83067 | 14143-6-6 | HOSE END,90° FEMALE SWIVEL,JIC | 89552 | 1JB43-8-8 | HOSE END,BULKHEAD,SEAL LOK |
| 83068 | 14143-8-8 | HOSE END,90° FEMALE SWIVEL,JIC | 89593 | 20 C5OLO-S | ELBOW,90°,STRAIGHT THREAD TO ORFS |
| 83069 | 14143-12-12 | HOSE END,90° FEMALE SWIVEL,JIC | 94161 | 8-8 CLO-S | ELBOW,90°,MALE PIPE TO ORFS |
| 83070 | 772-8 | HOSE,1/2 INCH ID | 94358 | 351TC-12 | HOSE,3/4 INCH ID |
| 83071 | 10671-8-8 | HOSE END,FEMALE SWIVEL,JIC | 94418 | 20 FLO-S | CONNECTOR,MALE PIPE TO ORFS |
| 83072 | 10671-12-12 | HOSE END,FEMALE SWIVEL,JIC | 96358 | 12 TX-S | SLEEVE,FLARE TUBE |
| 83073 | 13771-8-8 | HOSE END,45° FEMALE SWIVEL,JIC | 96359 | 12 BTX-S | NUT,FLARE TUBE |
| 83074 | 13771-12-12 | HOSE END,45° FEMALE SWIVEL,JIC | 96397 | 8 F5OX-S | CONNECTOR,STRAIGHT THREAD TO FLARE TUBE |
| 83075 | 13971-8-8 | HOSE END,90° FEMALE SWIVEL,JIC | 96398 | 12-8 F5OX-S | CONNECTOR,STRAIGHT THREAD TO FLARE TUBE |
| 83076 | 13971-12-12 | HOSE END,90° FEMALE SWIVEL,JIC | 96402 | 10343-6-6 | HOSE END,MALE,JIC |
| 83077 | 14171-8-8 | HOSE END,90° FEMALE SWIVEL,JIC | 96407 | 30382-6-6B | HOSE END,MALE,JIC |
| 83078 | 14171-12-12 | HOSE END,90° FEMALE SWIVEL,JIC | | | |
| 83080 | 13943-16-16 | HOSE END,90° FEMALE SWIVEL,JIC | | | |
| 83103 | 10671-16-12 | HOSE END,FEMALE SWIVEL,JIC | | | |
| 83104 | 10671-10-12 | HOSE END,FEMALE SWIVEL,JIC | | | |
| 83112 | 1JC71-8-8 | HOSE END,FEMALE SWIVEL,SEAL LOK | | | |
| 83113 | 1JS71-16-12 | HOSE END,FEMALE SWIVEL,SEAL LOK | | | |
| 83114 | 1JS71-10-12 | HOSE END,FEMALE SWIVEL,SEAL LOK | | | |
| 83115 | 1J971-8-8 | HOSE END,90° FEMALE SWIVEL,SEAL LOK | | | |
| 83116 | 1J171-8-8 | HOSE END,90° FEMALE SWIVEL,SEAL LOK | | | |
| 83117 | 1J771-8-8 | HOSE END,45° FEMALE SWIVEL,SEAL LOK | | | |
| 83127 | 1J543-6-8 | HOSE END,90° FEMALE SWIVEL,JIC | | | |
| 83128 | 1JC43-6-8 | HOSE END,FEMALE SWIVEL,SEAL LOK | | | |
| 87033 | 12-6 TRLO-S | REDUCER,TUBE END TO SWIVEL,ORFS | | | |
| 87034 | 3J782-8-8 | HOSE END,45° FEMALE SWIVEL,SEAL LOK | | | |
| 87172 | 12 HP5ON-S | PLUG,STRAIGHT THREAD | | | |
| 87185 | 8 WNLO-WLNL-S | UNION,BULKHEAD 45°,ORFS | | | |
| 87246 | 4 C6X-S | ELBOW,90°,SWIVEL NUT TO FLARE TUBE | | | |
| 87679 | 6 LHP-S | FLANGE SEAL FITTING, MALE | | | |
| 87681 | 6PLS N0702 | BONDED SEAL | | | |
| 88100 | SR88100 | ADAPTER,OIL DRAIN,GM 3.0L | | | |
| 88311 | 1JS43-20-20 | HOSE END,FEMALE SWIVEL,SEAL LOK | | | |
| 88353 | 20 V5OLO-S | ELBOW,45°,STRAIGHT THREAD TO ORFS | | | |
| 88474 | 10081-20 | Crimp Shell, 1.25" | | | |
| 88475 | 1988-20-24 | HOSE END,90° FLANGE HEAD | | | |
| 88476 | JS88-24-24 | HOSE END,FEMALE SWIVEL,SEAL LOK | | | |
| 88477 | 1JC88-20-20 | HOSE END,FEMALE SWIVEL,SEAL LOK | | | |
| 88478 | 811-20 | HOSE,11/4 INCH ID | | | |
| 88936 | 20-16 F5OLO-S | CONNECTOR,STRAIGHT THREAD TO ORFS | | | |
| 88937 | 20-16 FLO-S | CONNECTOR,MALE PIPE TO ORFS | | | |
| 88938 | 1JC88-16-16 | HOSE END,FEMALE SWIVEL,SEAL LOK | | | |
| 88939 | 1J988-16-16 | HOSE END,90° FEMALE SWIVEL,ORFS | | | |
| 88940 | 811-16 | HOSE,1 INCH ID | | | |
| 88944 | 1J988-20-20 | HOSE END,90° FEMALE SWIVEL,ORFS | | | |
| 89403 | 16 VLO-S | ELBOW,45°,MALE PIPE TO ORFS | | | |

California Proposition 65



WARNING

Operating, servicing and maintaining this equipment can expose you to chemicals including engine exhaust, carbon monoxide, phthalates, and lead, which are known to the State of California to cause cancer and birth defects or other reproductive harm. These chemicals can be emitted from or contained in other various parts and systems, fluids and some component wear by-products. To minimize exposure, avoid breathing exhaust, do not idle the engine except as necessary, service your equipment and vehicle in a well-ventilated area and wear gloves or wash your hands frequently when servicing your equipment or vehicle and after operation. For more information go to www.P65Warnings.ca.gov/passenger-vehicle.

Breathing diesel engine exhaust exposes you to chemicals known to the State of California to cause cancer and birth defects or other reproductive harm.

- Always start and operate the engine in a well-ventilated area.
- If in an enclosed area, vent the exhaust to the outside.
- Do not modify or tamper with the exhaust system.
- Do not idle the engine except as necessary.

For more information go to

www.P65warnings.ca.gov/diesel.

Parts Manual

Z-80/60

*from SN Z8003-101 to Z8016-5829
and from Z8016H-5830 to Z8016H-6399*

Part No.
88618

Rev H4

Genie
A TEREX BRAND