

30" Downdraft

800 Series Downdraft – HDD80051UC



BOSCH
Invented for life



HDD80051UC
Stainless Steel

Sleek, built-in, and retracts out of sight. Bosch 30" Downdraft's flexible design seamlessly integrates into your kitchen

Features & Benefits

Beautifully designed to preserve clean sight lines when not in use

Sleek front panel filter design acts as a guard against splatters

6 exhaust connections possible (transition sold separately)

Recirculation kit for sale for use in non ducted applications*

General Properties

Operating mode	Convertible: ducted / recirculating
Maximum CFM	Blower sold separately
Number of speed settings	3-stage
Motor location	External
Damper included	No
Grease filter material	Aluminum
Grease filter type	Multilayer cassette
Duct direction	Front, Left, Right, Rear, Down
Optional blower required	Yes (600 CFM options sold separately)

Technical Details

Volts (V)	120 V
Frequency (Hz)	60 Hz
Plug type	120V-3 prong
Power cord length (in.)	30"

Dimensions & Weight

Overall appliance dimensions (width of canopy included) (HxWxD) (in.)	29 ³ / ₈ " x 31" x 2 ³ / ₄ "
Height of the rise (in.)	12"
Diameter of air duct (in.) internal	8"
Diameter of air duct (in.) external	6" or 8"
Net weight (lbs)	37 lbs

Accessories – Required

Blower (sold separately)

Accessories – Transitions & Blowers

6" side / rear / downward transition	HDDSTRAN6
8" side / rear / downward transition	HDDSTRAN8

NOTE: HDDSTRAN6 or HDDSTRAN8 required for side, rear or downward exhaust applications with inline and remote blowers.

6" round front plate	HDDFTRAN6
8" round front plate	HDDFTRAN8

NOTE: HDDFTRAN6 or HDDFTRAN8 required for front exhaust applications with inline and remote blowers.

Transition for rectangular duct	HDDSTRAN2
2' rectangular duct	HDD2RECTD

NOTE: HDDSTRAN2 needed to attach HDD2RECTD to downdraft. For use with installation of inline or remote blower applications.

600 CFM flexible blower	DHG602DUC
600 CFM inline blower	DHI1FZUC
600 CFM remote blower	DHR1FZUC

Accessories – Optional

Recirculation kit (compatible with electric and induction cooktops only)	HDDREC5UC
Charcoal filter replacement for recirculation kit	HDDFILTUC
30" gas cooktop seal kit for downdraft (required for installation with gas cooktops)	HDDORSP
Trim kit for 30" FlameSelect® gas cooktops	HDDTRIM30S



*Recirculation kit is not compatible with gas cooktop installations with downdraft

Accessories: To purchase Bosch accessories, cleaners & parts please visit www.bosch-home.com/us/store or call 1-800-944-2904 (Mon to Fri 5 am to 6 pm PST, Sat 6 am to 3 pm PST).

Notes: All height, width and depth dimensions are shown in inches. BSH reserves the absolute and unrestricted right to change product materials and specifications, at any time, without notice. Consult the product's installation instructions for final dimensional data and other details prior to making cutout.

Warranties: Please see Use & Care manual or Bosch website for statement of limited warranty.

For more information on our entire line of products, go to www.bosch-home.com/us or call 1-800-944-2904

© BSH Home Appliances Corporation. All rights reserved. Bosch is a registered trademark of Robert Bosch GmbH.

30" Downdraft

800 Series Downdraft – HDD80051UC



BOSCH
Invented for life

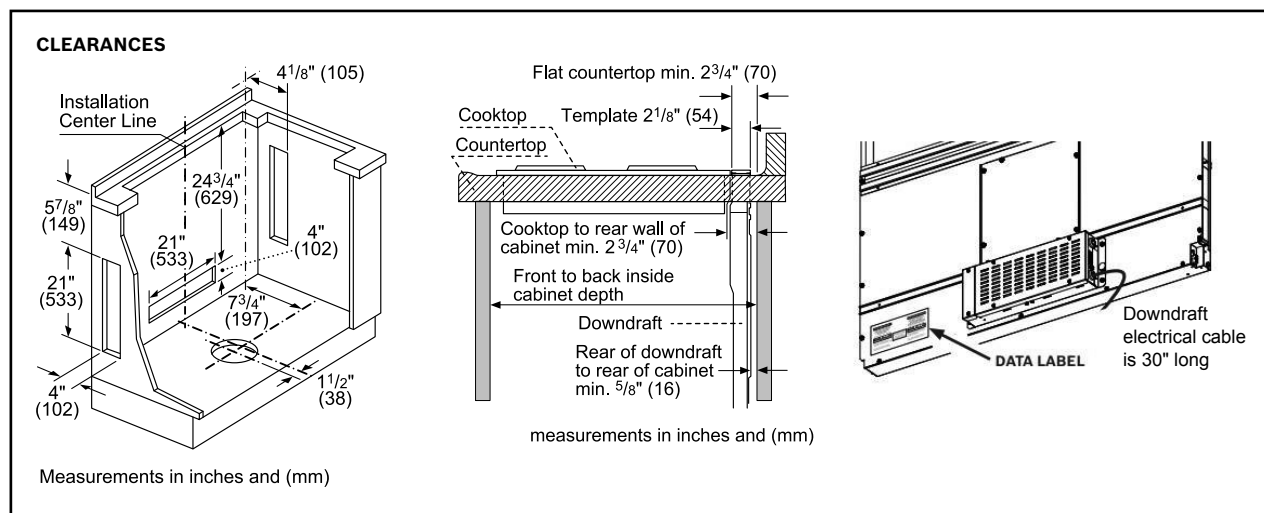
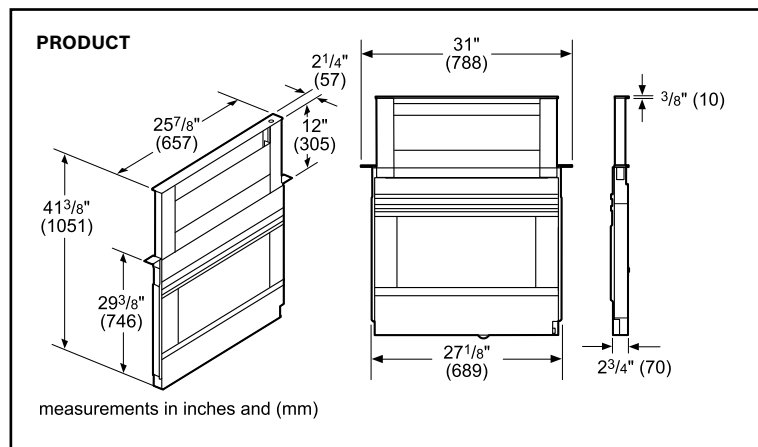


HVI Performance Values (CFM & Sones)

Downdraft HDD80051UC with Blower DHG602DUC

Exhaust	Duct Size	Required Accessories	Pressure (in. H ₂ O)		Power (W)		CFM		Sones	
			High Speed	Working Speed	High Speed	Working Speed	High Speed	Working Speed	High Speed	Working Speed
Front	8" Round	None	0.1	0.018	285	68.5	380	160	12.0	2.0
Left	8" Round	Optional Adapter Model: HDDSTRAN8	0.1	0.016	279	67.0	360	150	11.0	2.5
Right	8" Round		0.1	0.017	288	65.7	350	140	11.0	1.4
Rear	8" Round		0.1	0.018	279	66.9	360	150	10.0	1.5
Bottom	8" Round		0.1	0.018	286	66.0	370	150	11.0	1.5
Front	8" Round	None	0.25	–	–	–	360	–	–	–
Left	8" Round	Optional Adapter Model: HDDSTRAN8	0.25	–	–	–	340	–	–	–
Right	8" Round		0.25	–	–	–	330	–	–	–
Rear	8" Round		0.25	–	–	–	340	–	–	–
Bottom	8" Round		0.25	–	–	–	350	–	–	–

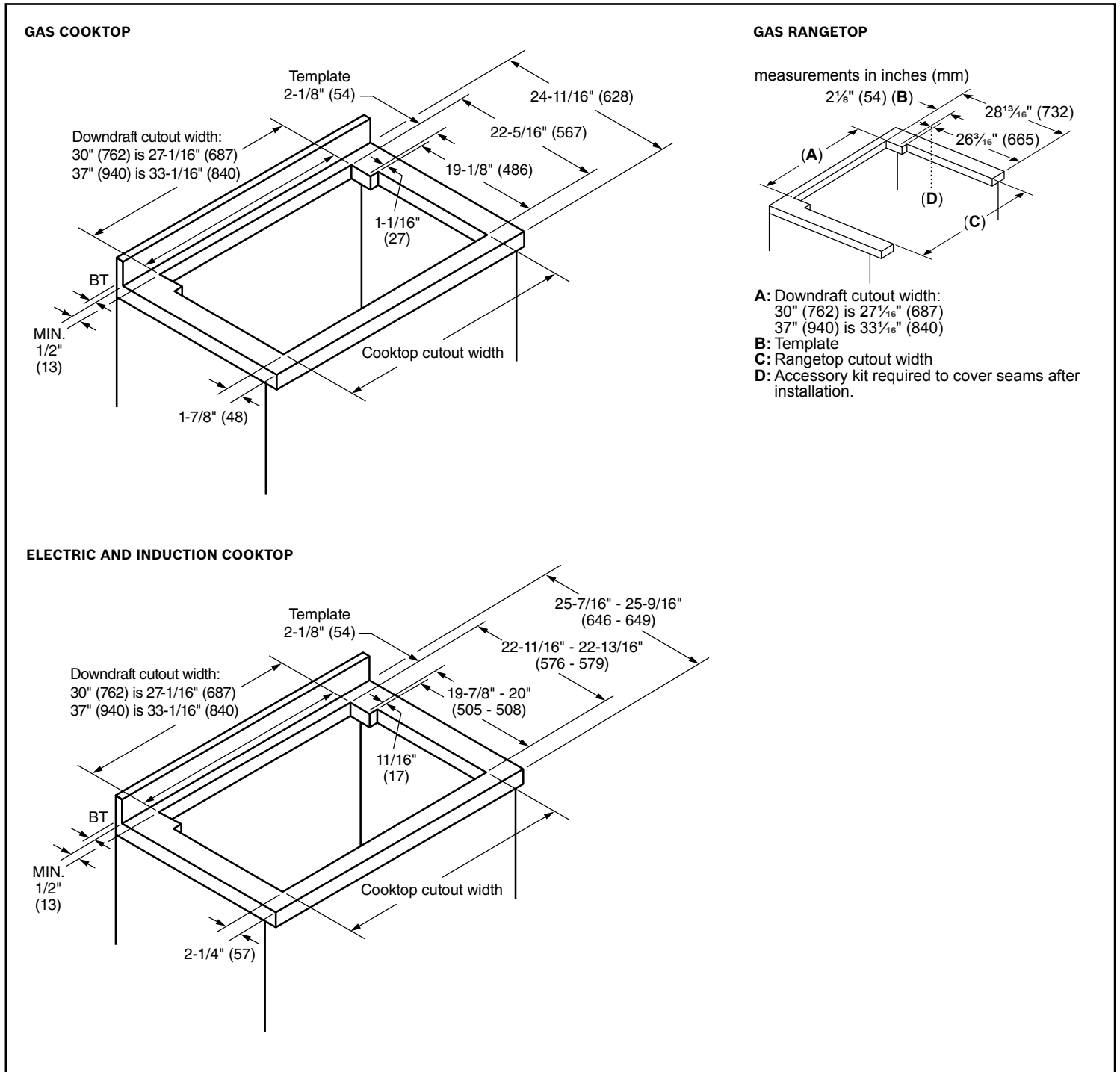
Installation Details



30" Downdraft

800 Series Downdraft – HDD80051UC

Installation Details – Cutouts



Accessories: To purchase Bosch accessories, cleaners & parts please visit www.bosch-home.com/us/store or call 1-800-944-2904 (Mon to Fri 5 am to 6 pm PST, Sat 6 am to 3 pm PST).

Notes: All height, width and depth dimensions are shown in inches. BSH reserves the absolute and unrestricted right to change product materials and specifications, at any time, without notice. Consult the product's installation instructions for final dimensional data and other details prior to making cutout.

Warranties: Please see Use & Care manual or Bosch website for statement of limited warranty.

For more information on our entire line of products, go to www.bosch-home.com/us or call 1-800-944-2904

© BSH Home Appliances Corporation. All rights reserved. Bosch is a registered trademark of Robert Bosch GmbH.

30" Downdraft

800 Series Downdraft – HDD80051UC



BOSCH
Invented for life

Accessories – Transitions

SIDE / REAR / DOWNWARD TRANSITION FOR DOWNDRAFT

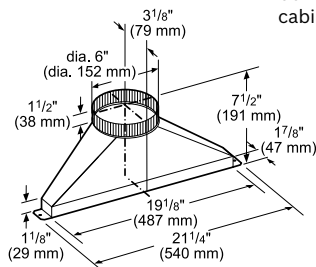


HDDSTRAN6

6" Side / Rear / Downward Transition for Downdraft

6" Round transition enable ducting to be at sides, rear or below downdraft for flexible configurations to maximize your kitchen design

- ▶ Flexible transition design allows for left, right, rear or downward venting
- ▶ Front rough-in plate may be used with a 6" round duct or elbow
- ▶ Ability to use with DHI1FZUC inline and DHR1FZUC remote blowers
- ▶ Some blower positions may need deeper cabinets. See installation guide.



measurements in inches (mm)

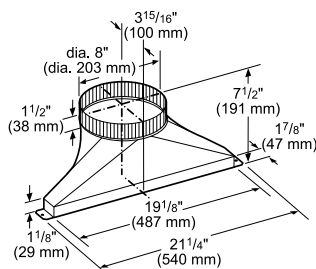


HDDSTRAN8

8" Side / Rear / Downward Transition for Downdraft

8" Round transition enable ducting to be at sides, rear or below downdraft for flexible configurations to maximize your kitchen design

- ▶ Flexible transition design allows for left, right, rear or downward venting
- ▶ For DHG602DUC flexible downdraft blower used as inline installation
- ▶ Some blower positions may need deeper cabinets. See installation guide.



measurements in inches (mm)

NOTE: HDDSTRAN6 or HDDSTRAN8 side / rear / downward transition required for side, rear or downward exhaust applications with inline and remote blowers.

ROUND FRONT PLATES FOR DOWNDRAFT

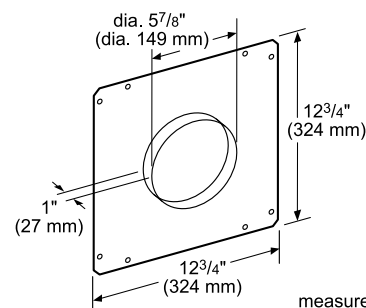


HDDFTRAN6

6" Round Front Plate for Downdraft

6" Front rough-in plate enable ducting to be at front of downdraft, for use with inline and remote blower applications

- ▶ Front rough-in plate design allows for front venting
- ▶ Front rough-in plate may be used with a 6" round duct or elbow
- ▶ Ability to use with DHI1FZUC inline and DHR1FZUC remote blowers



measurements in inches (mm)

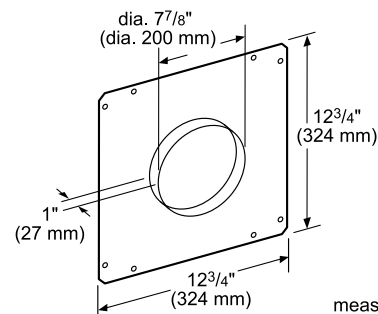


HDDFTRAN8

8" Round Front Plate for Downdraft

8" Front rough-in plate enable ducting to be at front of downdraft, for use with inline and remote blower applications

- ▶ Front rough-in plate design allows for front venting
- ▶ Front rough-in plate may be used with a 8" round duct or elbow
- ▶ For DHG602DUC flexible downdraft blower used as inline installation



measurements in inches (mm)

NOTE: HDDFTRAN6 or HDDFTRAN8 front plate required for front exhaust applications with inline and remote blowers.

Accessories: To purchase Bosch accessories, cleaners & parts please visit www.bosch-home.com/us/store or call 1-800-944-2904 (Mon to Fri 5 am to 6 pm PST, Sat 6 am to 3 pm PST).

Notes: All height, width and depth dimensions are shown in inches. BSH reserves the absolute and unrestricted right to change product materials and specifications, at any time, without notice. Consult the product's installation instructions for final dimensional data and other details prior to making cutout.

Warranties: Please see Use & Care manual or Bosch website for statement of limited warranty.

For more information on our entire line of products, go to www.bosch-home.com/us or call 1-800-944-2904

© BSH Home Appliances Corporation. All rights reserved. Bosch is a registered trademark of Robert Bosch GmbH.

30" Downdraft

800 Series Downdraft – HDD80051UC



BOSCH
Invented for life

Accessories – Transitions

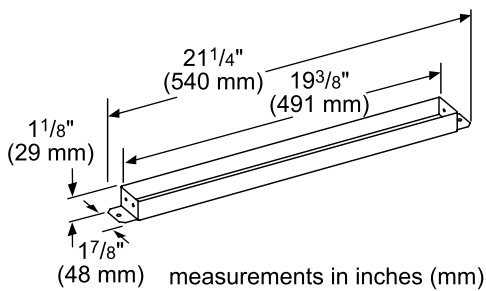
TRANSITION FOR RECTANGULAR DUCT FOR DOWNDRAFT



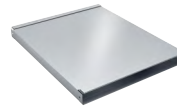
Rectangular duct transition required to connect 2' rectangular duct to downdraft

HDDSTRAN2

Transition for Rectangular Duct for Downdraft



2' RECTANGULAR DUCT FOR DOWNDRAFT

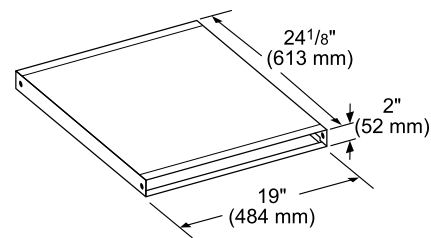


HDD2RECTD

2' Rectangular Duct Downdraft

2' Rectangular duct can be used as extension to exhaust through a cabinet or wall while maximizing cabinet storage space

- ▶ Duct can be used as an extension to exhaust through a cabinet or wall
- ▶ May be attached to sides or rear of downdraft housing
- ▶ HDDRECTRN transition needed to connect HDD2RECTD to downdraft housing
- ▶ For use with remote or inline blowers



Accessories: To purchase Bosch accessories, cleaners & parts please visit www.bosch-home.com/us/store or call 1-800-944-2904 (Mon to Fri 5 am to 6 pm PST, Sat 6 am to 3 pm PST).

Notes: All height, width and depth dimensions are shown in inches. BSH reserves the absolute and unrestricted right to change product materials and specifications, at any time, without notice. Consult the product's installation instructions for final dimensional data and other details prior to making cutout.

Warranties: Please see Use & Care manual or Bosch website for statement of limited warranty.

For more information on our entire line of products, go to www.bosch-home.com/us or call 1-800-944-2904

© BSH Home Appliances Corporation. All rights reserved. Bosch is a registered trademark of Robert Bosch GmbH.

30" Downdraft

800 Series Downdraft – HDD80051UC



BOSCH
Invented for life

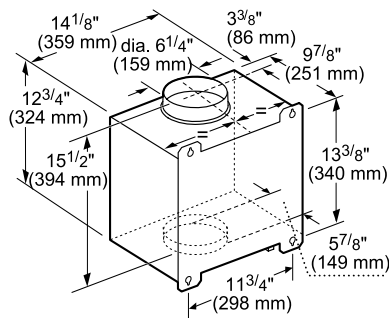
Accessories – 600 CFM Blowers



600 CFM inline blower

- ▶ For use with Bosch downdrafts
- ▶ Inline blowers can be mounted remotely to minimize blower noise in the cooking area
- ▶ Designed to be mounted inline with the ducting installation
- ▶ Blower is mounted on roof of exterior wall depending on application needs
- ▶ 6" transition required

DHI1FZUC
600 CFM Inline Blower



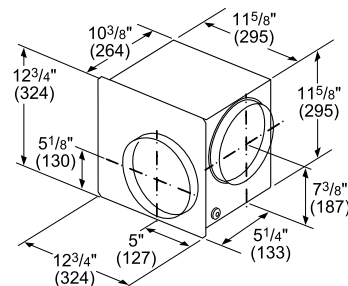
measurements in inches and mm



600 CFM flexible blower can mount to downdraft or be used as an inline blower, and can be rotated to exhaust downward or to sides

- ▶ Capable up to 600 CFM in performance
- ▶ Blower is able to mount to downdraft or be used as an inline blower
- ▶ Blower can be rotated to exhaust downward or toward sides
- ▶ Additional accessories may be required for installation, see manual

DHG602DUC
600 CFM Flexible Integral Blower – HDD Downdrafts



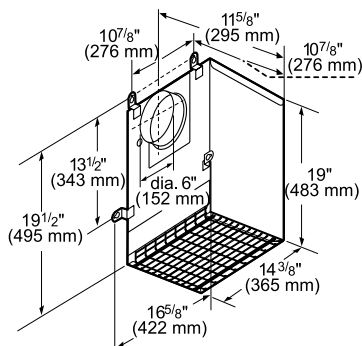
measurements in inches and (mm)



600 CFM remote blower

- ▶ For use with Bosch downdrafts
- ▶ Can be mounted on the exterior of the home to minimize noise in the cooking area
- ▶ Blower is mounted on roof of exterior wall depending on application needs
- ▶ 6" transition required

DHR1FZUC
600 CFM Remote Blower



measurements in inches and mm

Accessories: To purchase Bosch accessories, cleaners & parts please visit www.bosch-home.com/us/store or call 1-800-944-2904 (Mon to Fri 5 am to 6 pm PST, Sat 6 am to 3 pm PST).

Notes: All height, width and depth dimensions are shown in inches. BSH reserves the absolute and unrestricted right to change product materials and specifications, at any time, without notice. Consult the product's installation instructions for final dimensional data and other details prior to making cutout.

Warranties: Please see Use & Care manual or Bosch website for statement of limited warranty.

For more information on our entire line of products, go to www.bosch-home.com/us or call 1-800-944-2904

© BSH Home Appliances Corporation. All rights reserved. Bosch is a registered trademark of Robert Bosch GmbH.

30" Downdraft

800 Series Downdraft – HDD80051UC

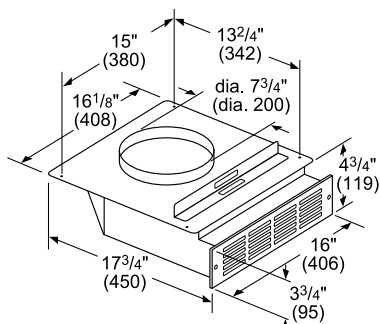
Accessories – Optional



HDDREC5UC
Recirculation Kit
for Downdraft

When ducting to the exterior is not feasible, downdraft recirculation kit allows filtered air to reenter the kitchen while cooking

- ▶ When ducting is not feasible, kit eliminates need to exhaust outside
- ▶ Air is filtered through charcoal filter, then re-enters kitchen
- ▶ Includes recirculation module, filter and metal grille vent plate
- ▶ Designed to work with both 30" and 37" Bosch downdrafts, HDD series
- ▶ Use with induction / electric cooktops only



Measurements in inches and (mm)



HDDTRIM30S
Trim Kit for 30"
FlameSelect® Gas
Cooktops

30" trim kit for installation with 30" FlameSelect® gas cooktops

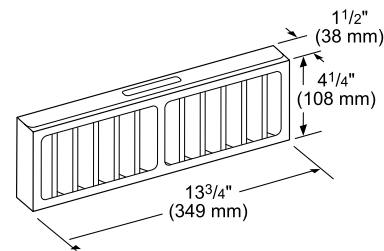
- ▶ Includes trim kit and installation tool
- ▶ Required for installation with 30" FlameSelect® gas cooktops



HDDFILTUC
Charcoal Filter
Replacement for
Recirculation Kit
for Downdraft

Maintain performance of Bosch downdraft recirculation kit with timely replacement of charcoal filter to capture and filter odors

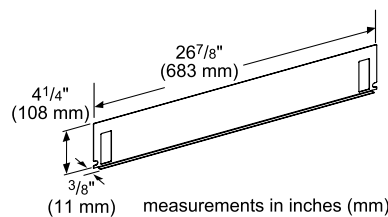
- ▶ Replacement charcoal filter for HDDREC5UC recirculation kit
- ▶ Quality charcoal filter effectively captures and filters odors
- ▶ Replace charcoal filter every 6 months depending on usage



HDD0RSP
30" Gas Cooktop
Seal Kit for Downdraft

30" gas cooktop seal kit required for installation with 30" gas cooktops

- ▶ Includes trim, seal, metal grill, and fasteners
- ▶ Required for installation with gas cooktops



Accessories: To purchase Bosch accessories, cleaners & parts please visit www.bosch-home.com/us/store or call 1-800-944-2904 (Mon to Fri 5 am to 6 pm PST, Sat 6 am to 3 pm PST).

Notes: All height, width and depth dimensions are shown in inches. BSH reserves the absolute and unrestricted right to change product materials and specifications, at any time, without notice. Consult the product's installation instructions for final dimensional data and other details prior to making cutout.

Warranties: Please see Use & Care manual or Bosch website for statement of limited warranty.

For more information on our entire line of products, go to www.bosch-home.com/us or call 1-800-944-2904

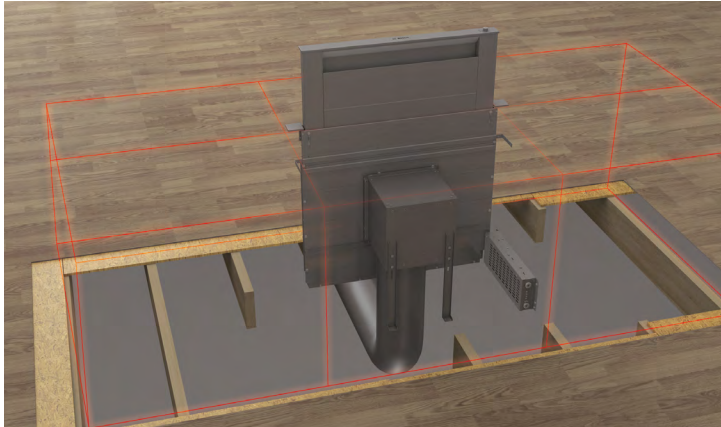
© BSH Home Appliances Corporation. All rights reserved. Bosch is a registered trademark of Robert Bosch GmbH.

30" Downdraft

800 Series Downdraft – HDD80051UC



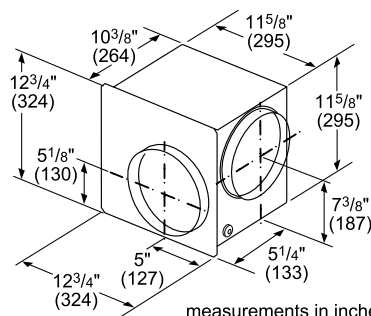
Flexible Blower Installation – Front Exhaust Example



Application

- Flexible blower attached can rotate for left, right or downward discharge
- Front downward application with flexible blower
- Requires space under floor line for ductwork*
- Can be used with optional Recirculation Kit, sold separately
- Elbow, ductwork, blower support structure frame not included

Required Blower



DHG602DUC

600 CFM Flexible Integral Blower

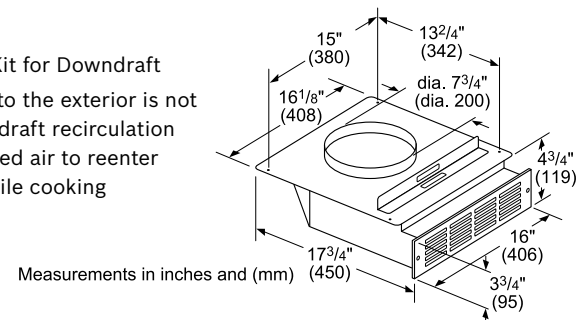
600 CFM flexible blower can mount to downdraft or be used as an inline blower, and can be rotated to exhaust downward or to sides

Optional Accessories

HDDREC5UC

Recirculation Kit for Downdraft

When ducting to the exterior is not feasible, downdraft recirculation kit allows filtered air to reenter the kitchen while cooking



HDDFILTUC

Charcoal Filter Replacement for Recirculation Kit for Downdraft

Maintain performance of Bosch downdraft recirculation kit with timely replacement of charcoal filter to capture and filter odors



HDD0RSP

30" Gas Cooktop Seal Kit for Downdraft

30" gas cooktop seal kit required for installation with 30" gas cooktops



*For only front downward ducting applications, electrical panel must be remotely mounted. Electrical panel can still be remotely mounted in other exhaust configurations if desired. Electrical panel interconnect cable length is 5-ft. long.

Accessories: To purchase Bosch accessories, cleaners & parts please visit www.bosch-home.com/us/store or call 1-800-944-2904 (Mon to Fri 5 am to 6 pm PST, Sat 6 am to 3 pm PST).

Notes: All height, width and depth dimensions are shown in inches. BSH reserves the absolute and unrestricted right to change product materials and specifications, at any time, without notice. Consult the product's installation instructions for final dimensional data and other details prior to making cutout.

Warranties: Please see Use & Care manual or Bosch website for statement of limited warranty.

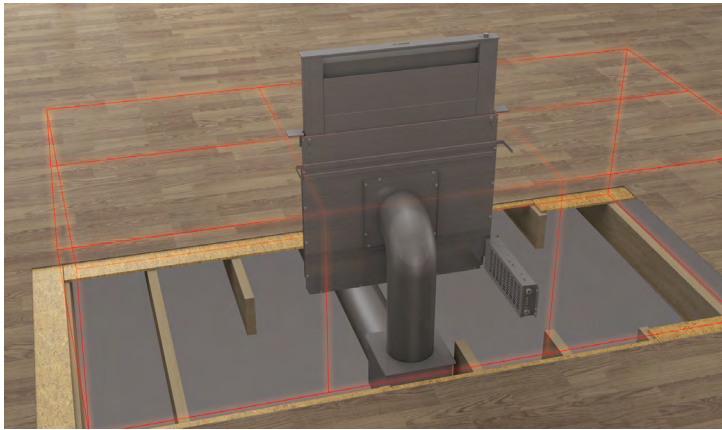
For more information on our entire line of products, go to www.bosch-home.com/us or call 1-800-944-2904

© BSH Home Appliances Corporation. All rights reserved. Bosch is a registered trademark of Robert Bosch GmbH.

30" Downdraft

800 Series Downdraft – HDD80051UC

Flexible Blower Installation – Front Exhaust with Flexible Blower Used as an Inline Option Example



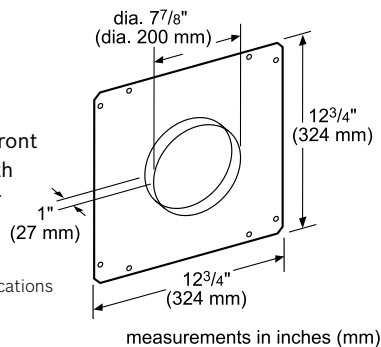
Required Accessories

HDDFTRAN8

8" Round Front Plate for Downdraft

8" Front rough-in plate enable ducting to be at front of downdraft, for use with inline and remote blower applications

NOTE: HDDFTRAN8 front plate required for front exhaust applications with inline and remote blowers.



Application

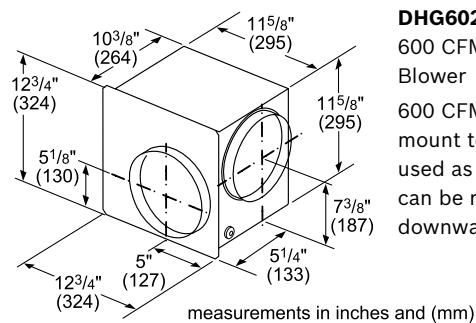
- Side exhaust with flexible blower used as inline option if ducting is more convenient with this configuration
- Requires at least 18" of clearance to fit the blower and transition
- Blower must be accessible for maintenance
- Elbow, ductwork, blower support structure frame not included

Required Blower

DHG602DUC

600 CFM Flexible Integral Blower

600 CFM flexible blower can mount to downdraft or be used as an inline blower, and can be rotated to exhaust downward or to sides



Optional Accessories

HDD0RSP

30" Gas Cooktop Seal Kit for Downdraft

30" gas cooktop seal kit required for installation with 30" gas cooktops



NOTE: Some applications may require deeper cabinets. Side and rear exhaust require at least 18" of clearance to fit the blower and / or ductwork. Refer to installation instructions.

Accessories: To purchase Bosch accessories, cleaners & parts please visit www.bosch-home.com/us/store or call 1-800-944-2904 (Mon to Fri 5 am to 6 pm PST, Sat 6 am to 3 pm PST).

Notes: All height, width and depth dimensions are shown in inches. BSH reserves the absolute and unrestricted right to change product materials and specifications, at any time, without notice. Consult the product's installation instructions for final dimensional data and other details prior to making cutout.

Warranties: Please see Use & Care manual or Bosch website for statement of limited warranty.

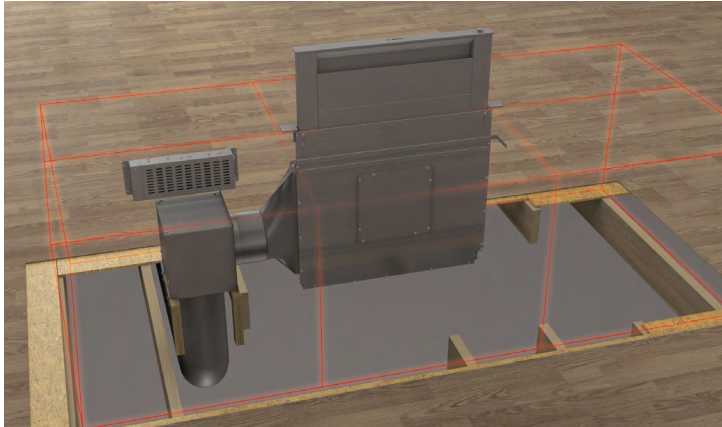
For more information on our entire line of products, go to www.bosch-home.com/us or call 1-800-944-2904

© BSH Home Appliances Corporation. All rights reserved. Bosch is a registered trademark of Robert Bosch GmbH.

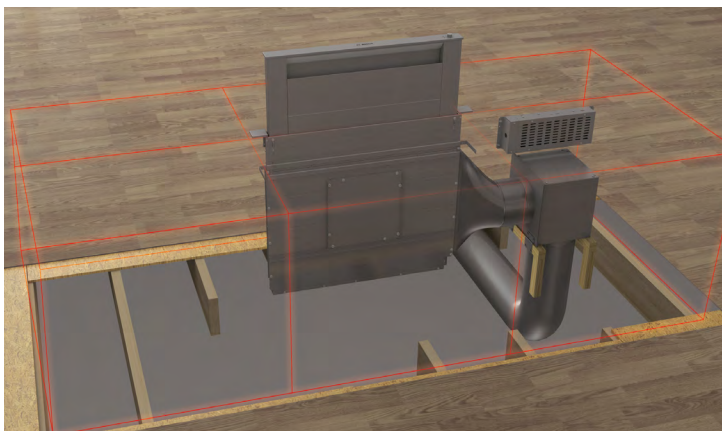
30" Downdraft

800 Series Downdraft – HDD80051UC

Flexible Blower Installation – Side Exhaust Example



Left Side Exhaust



Right Side Exhaust

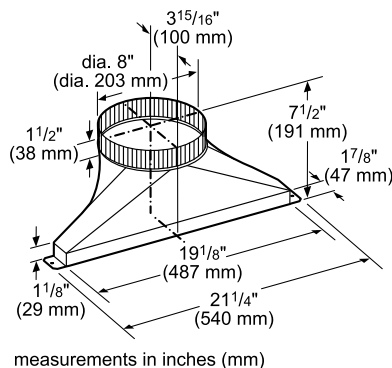
Required Accessories

HDDSTRAN8

8" Side / Rear / Downward Transition for Downdraft

8" Round transition enable ducting to be at sides, rear or below downdraft for flexible configurations to maximize your kitchen design

NOTE: HDDSTRAN8 side / rear / downward transition required for side, rear or downward exhaust applications with inline and remote blowers.



NOTE: Some applications may require deeper cabinets. Side and rear exhaust require at least 18" of clearance to fit the blower and / or ductwork. Refer to installation instructions.

Accessories: To purchase Bosch accessories, cleaners & parts please visit www.bosch-home.com/us/store or call 1-800-944-2904 (Mon to Fri 5 am to 6 pm PST, Sat 6 am to 3 pm PST).

Notes: All height, width and depth dimensions are shown in inches. BSH reserves the absolute and unrestricted right to change product materials and specifications, at any time, without notice. Consult the product's installation instructions for final dimensional data and other details prior to making cutout.

Warranties: Please see Use & Care manual or Bosch website for statement of limited warranty.

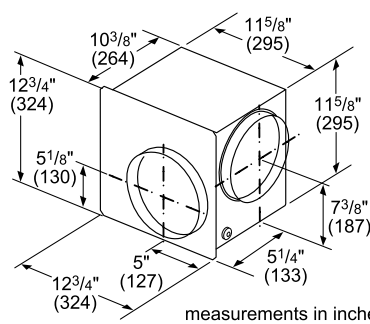
For more information on our entire line of products, go to www.bosch-home.com/us or call 1-800-944-2904

© BSH Home Appliances Corporation. All rights reserved. Bosch is a registered trademark of Robert Bosch GmbH.

Application

- Side exhaust option if ducting is more convenient with this configuration
- Requires at least 18" of clearance to fit the blower and transition
- Can be used with optional Recirculation Kit, sold separately
- Elbow, ductwork, blower support structure frame not included

Required Blower



DHG602DUC

600 CFM Flexible Integral Blower

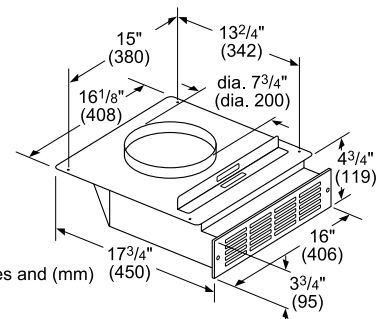
600 CFM flexible blower can mount to downdraft or be used as an inline blower, and can be rotated to exhaust downward or to sides

Optional Accessories

HDDREC5UC

Recirculation Kit for Downdraft

When ducting to the exterior is not feasible, downdraft recirculation kit allows filtered air to reenter the kitchen while cooking



HDDFILTUC

Charcoal Filter Replacement for Recirculation Kit for Downdraft

Maintain performance of Bosch downdraft recirculation kit with timely replacement of charcoal filter to capture and filter odors



HDD0RSP

30" Gas Cooktop Seal Kit for Downdraft

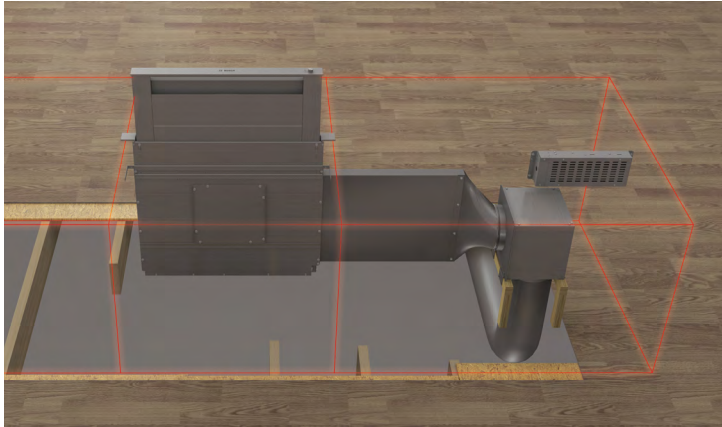
30" gas cooktop seal kit required for installation with 30" gas cooktops



30" Downdraft

800 Series Downdraft – HDD80051UC

Flexible Blower Installation – Side Exhaust with Slim 2' Rectangular Duct Example

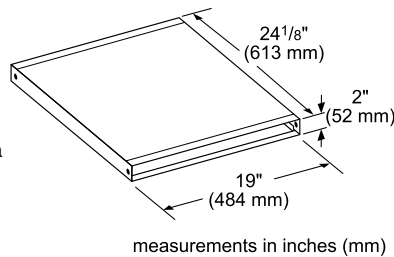


Required Accessories

HDD2RECTD

2' Rectangular
Duct Downdraft

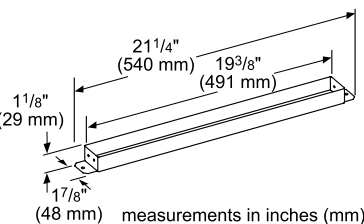
2' Rectangular duct can be used as extension to exhaust through a cabinet or wall while maximizing cabinet storage space



HDDSTRAN2

Transition for Rectangular
Duct for Downdraft

Rectangular duct transition required to connect 2' rectangular duct to downdraft

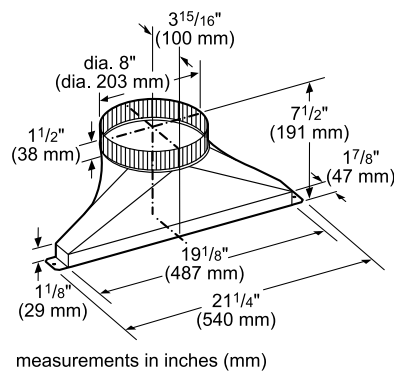


HDDSTRAN8

8" Side / Rear / Downward
Transition for Downdraft

8" Round transition enable ducting to be at sides, rear or below downdraft for flexible configurations to maximize your kitchen design

NOTE: HDDSTRAN8 side / rear / downward transition required for side, rear or downward exhaust applications with inline and remote blowers.



NOTE: Some applications may require deeper cabinets. Side and rear exhaust require at least 18" of clearance to fit the blower and / or ductwork. Refer to installation instructions.

Accessories: To purchase Bosch accessories, cleaners & parts please visit www.bosch-home.com/us/store or call 1-800-944-2904 (Mon to Fri 5 am to 6 pm PST, Sat 6 am to 3 pm PST).

Notes: All height, width and depth dimensions are shown in inches. BSH reserves the absolute and unrestricted right to change product materials and specifications, at any time, without notice. Consult the product's installation instructions for final dimensional data and other details prior to making cutout.

Warranties: Please see Use & Care manual or Bosch website for statement of limited warranty.

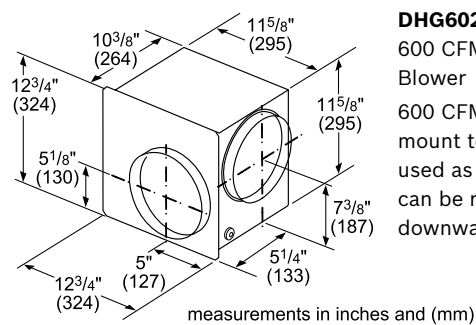
For more information on our entire line of products, go to www.bosch-home.com/us or call 1-800-944-2904

© BSH Home Appliances Corporation. All rights reserved. Bosch is a registered trademark of Robert Bosch GmbH.

Application

- Side exhaust option if ducting is more convenient with this configuration
- A slim 2' rectangular duct is available to place flexible blower in areas such as unused corner in island or peninsula applications
- Can be used with optional Recirculation Kit, sold separately
- Elbow, ductwork, blower support structure frame not included

Required Blower



DHG602DUC

600 CFM Flexible Integral
Blower

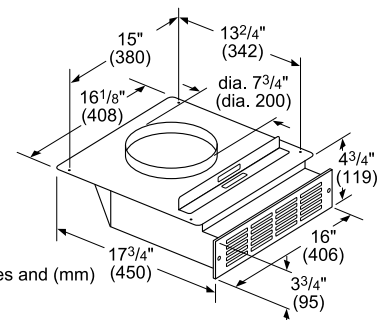
600 CFM flexible blower can mount to downdraft or be used as an inline blower, and can be rotated to exhaust downward or to sides

Optional Accessories

HDDREC5UC

Recirculation Kit for Downdraft

When ducting to the exterior is not feasible, downdraft recirculation kit allows filtered air to reenter the kitchen while cooking



HDDFILTUC

Charcoal Filter Replacement
Kit for Downdraft

Maintain performance of Bosch downdraft recirculation kit with timely replacement of charcoal filter to capture and filter odors



HDD0RSP

30" Gas Cooktop Seal Kit for Downdraft

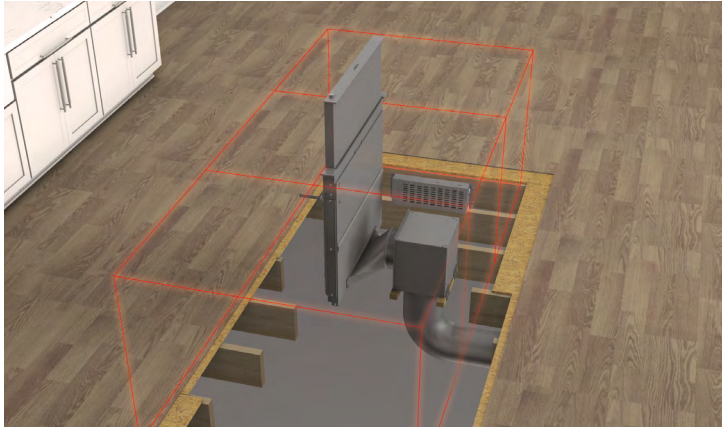
30" gas cooktop seal kit required for installation with 30" gas cooktops



30" Downdraft

800 Series Downdraft – HDD80051UC

Flexible Blower Installation – Rear Exhaust Example



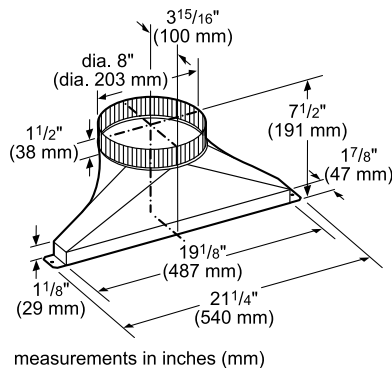
Required Accessories

HDDSTRAN8

8" Side / Rear / Downward Transition for Downdraft

8" Round transition enable ducting to be at sides, rear or below downdraft for flexible configurations to maximize your kitchen design

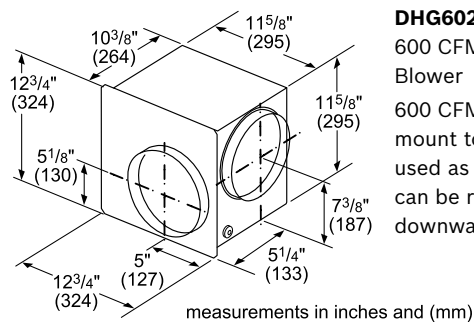
NOTE: HDDSTRAN8 side / rear / downward transition required for side, rear or downward exhaust applications with inline and remote blowers.



Application

- Rear exhaust option is possible if ducting is more convenient with this configuration
- Requires at least 18" of clearance to fit the blower and transition
- Blower must be accessible for maintenance
- Can be used with optional Recirculation Kit, sold separately
- Elbow, ductwork, blower support structure frame not included

Required Blower



DHG602DUC

600 CFM Flexible Integral Blower

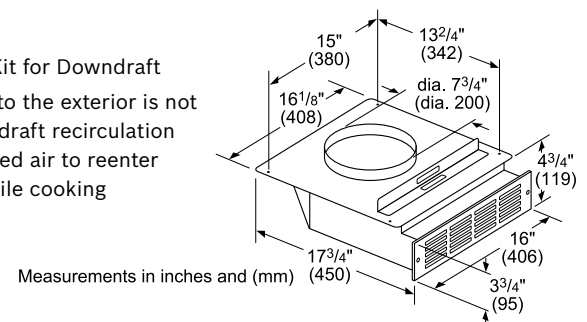
600 CFM flexible blower can mount to downdraft or be used as an inline blower, and can be rotated to exhaust downward or to sides

Optional Accessories

HDDREC5UC

Recirculation Kit for Downdraft

When ducting to the exterior is not feasible, downdraft recirculation kit allows filtered air to reenter the kitchen while cooking



HDDFILTUC

Charcoal Filter Replacement for Recirculation Kit for Downdraft

Maintain performance of Bosch downdraft recirculation kit with timely replacement of charcoal filter to capture and filter odors



HDDORSP

30" Gas Cooktop Seal Kit for Downdraft

30" gas cooktop seal kit required for installation with 30" gas cooktops



NOTE: Some applications may require deeper cabinets. Side and rear exhaust require at least 18" of clearance to fit the blower and / or ductwork. Refer to installation instructions.

Accessories: To purchase Bosch accessories, cleaners & parts please visit www.bosch-home.com/us/store or call 1-800-944-2904 (Mon to Fri 5 am to 6 pm PST, Sat 6 am to 3 pm PST).

Notes: All height, width and depth dimensions are shown in inches. BSH reserves the absolute and unrestricted right to change product materials and specifications, at any time, without notice. Consult the product's installation instructions for final dimensional data and other details prior to making cutout.

Warranties: Please see Use & Care manual or Bosch website for statement of limited warranty.

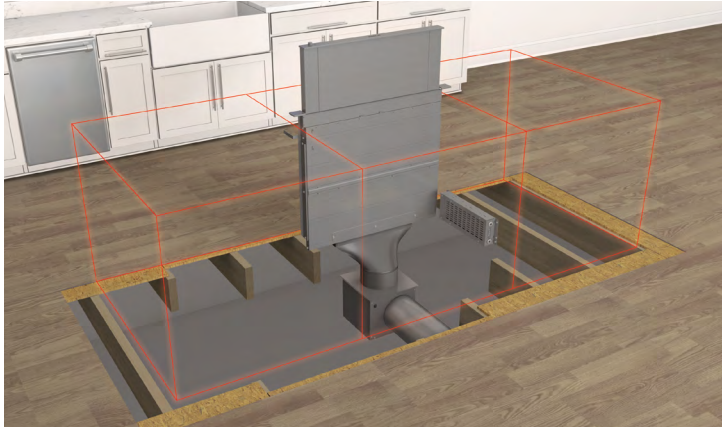
For more information on our entire line of products, go to www.bosch-home.com/us or call 1-800-944-2904

© BSH Home Appliances Corporation. All rights reserved. Bosch is a registered trademark of Robert Bosch GmbH.

30" Downdraft

800 Series Downdraft – HDD80051UC

Flexible Blower Installation – Downward Exhaust Example



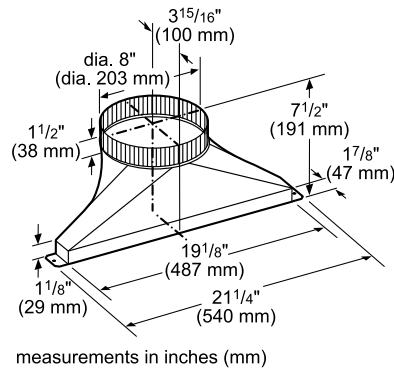
Required Accessories

HDDSTRAN8

8" Side / Rear / Downward Transition for Downdraft

8" Round transition enable ducting to be at sides, rear or below downdraft for flexible configurations to maximize your kitchen design

NOTE: HDDSTRAN8 side / rear / downward transition required for side, rear or downward exhaust applications with inline and remote blowers.



Application

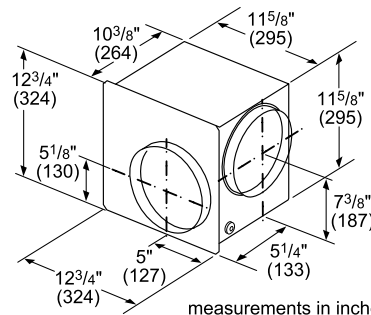
- Downward exhaust option if ducting is more convenient with this configuration
- Requires at least 18" of clearance to fit the blower and transition
- Can be used with optional Recirculation Kit, sold separately
- Elbow, ductwork, blower support structure frame not included
- Blower must be accessible for maintenance
- Can also be installed with inline and remote blowers

Required Blower

DHG602DUC

600 CFM Flexible Integral Blower

600 CFM flexible blower can mount to downdraft or be used as an inline blower, and can be rotated to exhaust downward or to sides

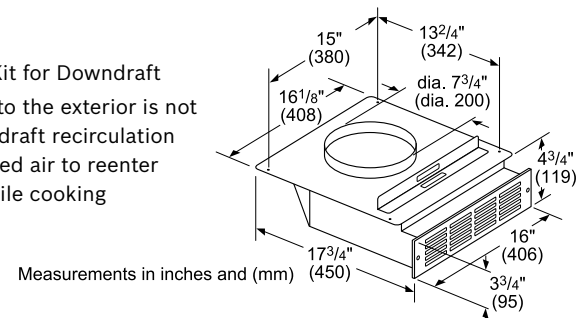


Optional Accessories

HDDREC5UC

Recirculation Kit for Downdraft

When ducting to the exterior is not feasible, downdraft recirculation kit allows filtered air to reenter the kitchen while cooking



HDDFILTUC

Charcoal Filter Replacement for Recirculation Kit for Downdraft

Maintain performance of Bosch downdraft recirculation kit with timely replacement of charcoal filter to capture and filter odors



HDDORSP

30" Gas Cooktop Seal Kit for Downdraft

30" gas cooktop seal kit required for installation with 30" gas cooktops



Accessories: To purchase Bosch accessories, cleaners & parts please visit www.bosch-home.com/us/store or call 1-800-944-2904 (Mon to Fri 5 am to 6 pm PST, Sat 6 am to 3 pm PST).

Notes: All height, width and depth dimensions are shown in inches. BSH reserves the absolute and unrestricted right to change product materials and specifications, at any time, without notice. Consult the product's installation instructions for final dimensional data and other details prior to making cutout.

Warranties: Please see Use & Care manual or Bosch website for statement of limited warranty.

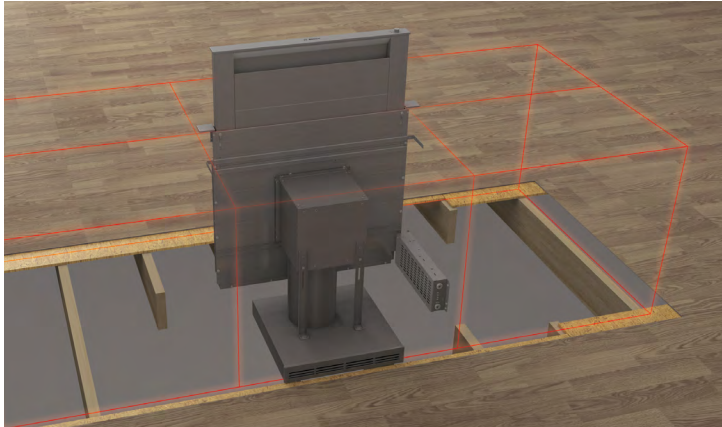
For more information on our entire line of products, go to www.bosch-home.com/us or call 1-800-944-2904

© BSH Home Appliances Corporation. All rights reserved. Bosch is a registered trademark of Robert Bosch GmbH.

30" Downdraft

800 Series Downdraft – HDD80051UC

Flexible Blower Installation – Recirculation Example

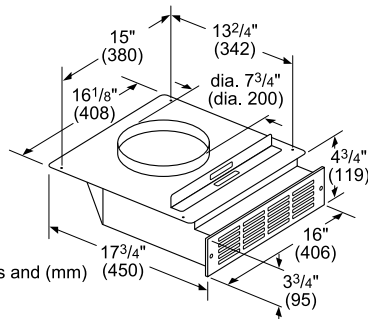


Required Accessories

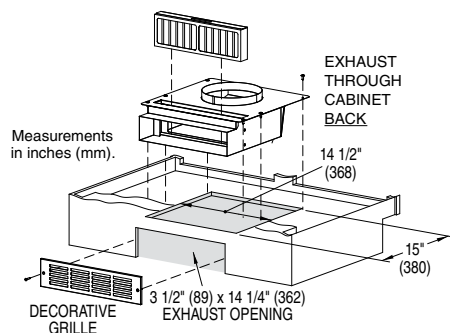
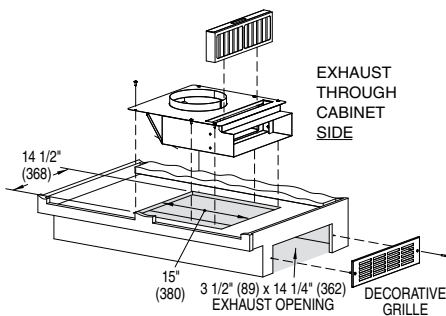
HDDREC5UC

Recirculation Kit for Downdraft

When ducting to the exterior is not feasible, downdraft recirculation kit allows filtered air to reenter the kitchen while cooking



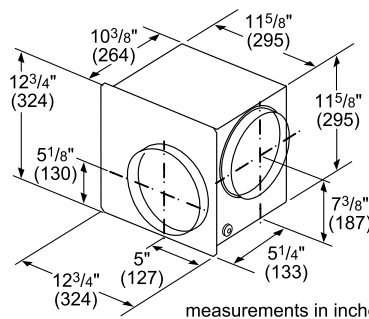
Measurements in inches and (mm)



Application

- Allows for non-ducted downdraft installation by eliminating the need to exhaust to the exterior of the home
- Mount to toe kick or base of a cabinet and attach directly to flexible blower
- Recirculation module and metal grill vent plate placement can be rotated for flexible exhaust placement
- Elbow, ductwork, blower support structure frame not included

Required Blower



DHG602DUC

600 CFM Flexible Integral Blower

600 CFM flexible blower can mount to downdraft or be used as an inline blower, and can be rotated to exhaust downward or to sides

measurements in inches and (mm)

Optional Accessories

HDDFILTUC

Charcoal Filter Replacement for Recirculation Kit for Downdraft

Maintain performance of Bosch downdraft recirculation kit with timely replacement of charcoal filter to capture and filter odors



HDDORSP

30" Gas Cooktop Seal Kit for Downdraft

30" gas cooktop seal kit required for installation with 30" gas cooktops



Accessories: To purchase Bosch accessories, cleaners & parts please visit www.bosch-home.com/us/store or call 1-800-944-2904 (Mon to Fri 5 am to 6 pm PST, Sat 6 am to 3 pm PST).

Notes: All height, width and depth dimensions are shown in inches. BSH reserves the absolute and unrestricted right to change product materials and specifications, at any time, without notice. Consult the product's installation instructions for final dimensional data and other details prior to making cutout.

Warranties: Please see Use & Care manual or Bosch website for statement of limited warranty.

For more information on our entire line of products, go to www.bosch-home.com/us or call 1-800-944-2904

© BSH Home Appliances Corporation. All rights reserved. Bosch is a registered trademark of Robert Bosch GmbH.