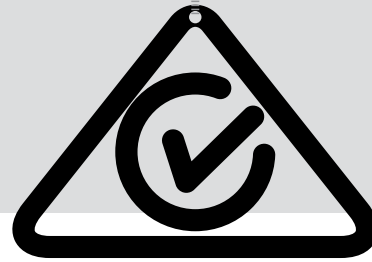


RETAIL CATALOGUE



QUALITY, SAFETY AND RELIABILITY IN EVERYDAY ELECTRICAL PRODUCTS

The HPM Promise



APPROVED TO AUSTRALIAN STANDARDS

Lighting and sensors



P. 29
LED
Downlights



P. 31
LED
Floodlights

Switches and sockets



P. 55
Arteor



P. 59
Linea

Installation accessories



P. 77
Clips and
brackets



P. 77
Wall boxes

Powerboards



P. 85
Standard



P. 85
Switched

Extension leads



P. 91
Household



P. 91
Heavy duty

USB chargers, timers and adaptors



P. 97
USB chargers



P. 97
Plug-in digital
timers

Door chimes



P. 103
Battery operated



P. 103
Plug-in

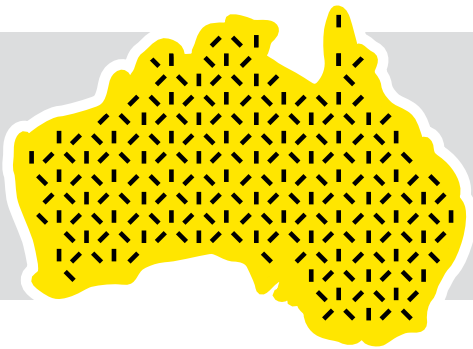
Ventilation



P. 107
Exhaust fans



P. 107
Exhaust fans



For more information visit
www.hpm.com.au
www.hpm.co.nz

MADE IN AUSTRALIA*



P. 36
LED
Lamps



P. 47
Lighting
accessories



P. 49
Garden
lighting



P. 51
Motion
sensors



P. 63
Excel



P. 67
Mechanisms



P. 69
Standard



P. 72
Aqua
weatherproof



P. 77
Mounting
blocks



P. 78
Junction
boxes



P. 80
Plug tops
and bases



P. 81
Plug-in MCBs



P. 85
USB chargers



P. 85
TV/AV



P. 86
Child-safe



P. 86
Powercentre



P. 92
Accessories



P. 92
Cable
reels



P. 92
Caravan
leads



P. 92
Construction
leads



P. 97
Plug-in analogue
timers



P. 98
International
adaptors



P. 98
Adaptors



P. 98
Fuse wire



P. 103
Portable



P. 103
Piggyback
adjustable volume



P. 103
Bell press



P. 103
Piggyback



P. 108
Exhaust fan
accessories



P. 110
Ceiling sweep
fans



P. 109
Bathroom
heaters



P. 111
Ceiling sweep
fan accessories

How to use this catalogue

Welcome to Edition 1 for 2016 of the HPM Retail Catalogue. This catalogue provides an overview of the wide range of products we offer that are designed to support your business, and has been divided in sections for quick and easy navigation.

Table of contents



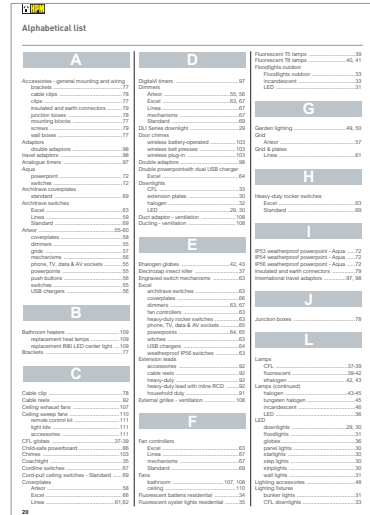
Provides an outline of contents in each section. The coloured bars correspond to the colour of each catalogue section for easy navigation.

Quick reference guide



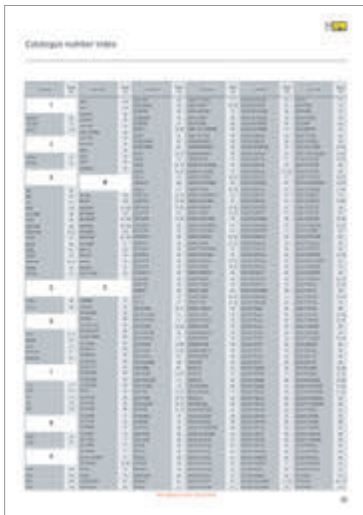
These pages highlight a selection of popular products with a catalogue number, product description and packaging.

Alphabetical index



Contains a list of alphabetically listed general descriptions to find products easily.

Alphanumeric index



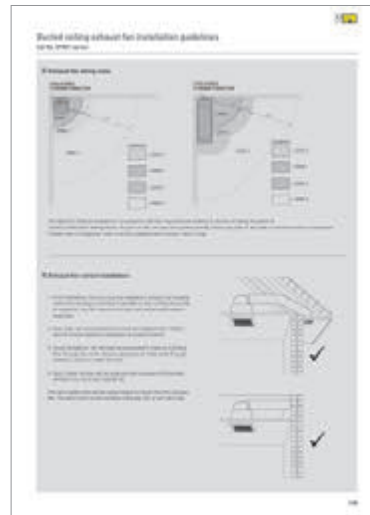
Contains an alphanumeric list of catalogue numbers, page numbers and quantities. The indexes start with numeric catalogue numbers then proceed to catalogue numbers with letters.

Section index



Found at the beginning of each section to provide a breakdown of product categories with page numbers.

Technical references



Contains technical information, specifications and drawings on selected products.

How to use this catalogue

Content pages

Image with catalogue number for easy identification

Packaging type (see p.4)

Product barcode

Product quantity per individual box

Product inner box quantity

Product quantity per carton

Lighting and sensors
LED Fixtures

Cat. No.	LED MR16 retrofit downlights 12V - DIY	Pack	Barcode	Single Qty	Inner Qty	Outer Qty
LMR16703KWE	7W warm white 3000K 650m white 70mm cut-out	BX	9321001449300	1	96	64
LMR16704KWE	7W cool white 4000K 660m white 70mm cut-out	BX	9321001449317	1	96	64
LMR16903KWE	9W warm white 3000K 710m white 90mm cut-out	BX	9321001449324	1	12	48
LMR16904KWE	9W cool white 4000K 770m white 90mm cut-out	BX	9321001449331	1	12	48
Downlights extension plates						
LEP120WE	For holes up to Ø120mm for 90mm cut-out downlights	TG	9321001441601	1	-	96
LEP150WE	For holes up to Ø150mm for 90mm cut-out downlights	TG	9321001441618	1	-	96
LED panel lights						
LPA013KWE	18W LUNA 1440m warm white 3000K white finish 225mm cut-out dim	BX	9321001432999	1	-	10
LPA014KWE	18W LUNA 1500m cool white 4000K white finish 225mm cut-out dim	BX	9321001437499	1	-	10
LED step lights						
LST013KWE	2.4W CALLA 24m warm white 3000K white 45mm cut-out	BX	9321001433002	1	-	100
LST013KPS	2.4W CALLA 24m warm white 3000K silver 45mm cut-out	BX	9321001433019	1	-	100
LED star lights						
LST023KWE	2.4W ZINNA 95m warm white 3000K white finish 32mm dimmable	BX	9321001433026	1	-	100
LST023KPS	2.4W ZINNA 95m warm white 3000K polished aluminium 32mm dimmable	BX	9321001433003	1	-	100
LDR020100198	18W driver kit for ZINNA/CALLA LED step lights & starlights	BX	9321001433064	1	-	50

Catalogue number

Product description

Information icons

Information icons

The following icons appear adjacent to the product descriptions to highlight information about a particular product

- New product** exciting new additions to our wide range of products.
- Energy Saving products** the HPM team has identified these products as possibly contributing to energy savings.
- More info available** more information available in the Technical section.
- Coming soon** exciting new products that will be added to the range after this catalogue is printed.
- Product to be discontinued** advanced information that the product will be discontinued in the near future.
- New Zealand** product only available in New Zealand.

Packaging information

Guide

Cat.Nos	LED dimmable downlights with integrated driver
DLI7001	5W warm white 3000k white 70mm cut-out dim
DLI7002	5W cool white 4000k white 70mm cut-out dim



Barcode	Single qty	Inner qty	Outer qty
1001455134	1	-	48
1001455141	1	-	48

HANGSELL PACKAGING

CS

Clam Shell

BL

Blister Pack

HBG

Hang Sell Tag

TG

Hang Sell Bag

HSL

Hang Sell Sleeve

HBX

Hang Sell Box

SHELF PACKAGING

BX

Box

Cardboard Box

Plastic Window Box

Plastic Box

SL

Sleeve

Quick reference guide

Lighting and sensors



DLI9001

DLI9002

Cat.Nos	Page 29	Pack	Barcode	Single qty	Inner qty	Outer qty
DLI LED dimmable downlights with integrated driver						
DLI9001	7W DLI 700lm warm white 3000K white 90mm cut-out dim	N	ECO	IC-4	BX	9321001451655
DLI9002	7W DLI 820lm cool white 4000K white 90mm cut-out dim	N	ECO	IC-4	BX	9321001451662



LDL043KWE

LDL044KWE

Cat.Nos	Page 29	Pack	Barcode	Single qty	Inner qty	Outer qty
AZA+ LED dimmable downlights with integrated driver						
LDL043KWE	8W AZA+ 750lm warm white 3000K white 90mm cut-out dim	N	ECO	IC-4	BX	9321001449249
LDL044KWE	8W AZA+ 820lm cool white 4000K white 90mm cut-out dim	N	ECO	IC-4	BX	9321001449256



LMR16704KWE

LMR16903KWE

Cat.Nos	Page 30	Pack	Barcode	Single qty	Inner qty	Outer qty
LED MR16 retrofit downlights						
LMR16703KWE	7W warm white 3000K 550lm white 70mm cut-out	N	ECO		BX	9321001449300
LMR16704KWE	7W cool white 4000K 590lm white 70mm cut-out	N	ECO		BX	9321001449317
LMR16903KWE	9W warm white 3000K 710lm white 90mm cut-out	N	ECO	IC	BX	9321001449324
LMR16904KWE	9W cool white 4000K 770lm white 90mm cut-out	N	ECO	IC	BX	9321001449331



LEP150WE

Cat.Nos	Page 30	Pack	Barcode	Single qty	Inner qty	Outer qty
Downlight extension plates						
LEP150WE	For holes up to Ø150mm for 90mm cut-out downlights	N			TG	9321001441618



Insulation Contact (IC) recessed luminaire - building insulation that can be continuously exposed to 90°C, can safely abut and cover the luminaire



Insulation Contact - Fire Resistant (IC-4) recessed luminaire - building insulation that can be continuously exposed to 90°C can safely abut and cover the luminaire. Additionally, IC-4 rated downlights have to pass a 1mm probe test i.e. a 1mm diameter probe cannot enter any part of the luminaire and in effect no insulation or any other material can enter the fitting.

N New product

ECO Energy Saving products

+ More info available. See technical pages

COMING SOON Coming soon

X Product to be discontinued

NZ Product only available in New Zealand

CS = Clam Shell, BL = Blister pack, BX = Box, SL = Sleeve, HSL = Hang sell sleeve, HBG = Hang sell bag, HBX = Hang sell box, TG = Tag. For more details on packaging see page 4.

Quick reference guide

Lighting and sensors



LPA013KWE

Cat.Nos	Page 30	Pack	Barcode	Single qty	Inner qty	Outer qty
LED panel lights						
LPA013KWE	18W LUNA 1440lm warm white 3000K white finish 225mm cut-out dim	BX	9321001432999	1	-	10



LWL013KPS

Cat.Nos	Page 30	Pack	Barcode	Single qty	Inner qty	Outer qty
LED wall light						
LWL013KPS	10W PINNA up/down light 380lm warm white 3000K anodised alu. IP54	BX	9321001432968	1	-	24

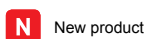


LFS013KBL



LFS016WBL

Cat.Nos	Page 31	Pack	Barcode	Single qty	Inner qty	Outer qty
LED floodlights						
LFS013KBL	28W 2200lm Twin PAR38 with PIR sensor warm white 3000K IP44 black	BX	9321001434788	1	-	10
LFS016WBL	16W 1700lm TORAN with PIR sensor cool white 4000K IP44 black	BX	9321001441328	1	-	4



New product



Energy Saving products



More info available. See technical pages



Coming soon



Product to be discontinued



Product only available in New Zealand

CS = Clam Shell, BL = Blister pack, BX = Box, SL = Sleeve, HSL = Hang sell sleeve, HBG = Hang sell bag, HBX = Hang sell box, TG = Tag. For more details on packaging see page 4.

Quick reference guide

Lighting and sensors



M5FD228

Cat.Nos	Page 34	Pack	Barcode	Single qty	Inner qty	Outer qty
Fluorescent T5 battens						
M5FD228	Battens T5 slimline 2x18W cool white 4000K white	BX	9318416059392	1	-	-



MBIK40

Cat.Nos	Page 37	Pack	Barcode	Single qty	Inner qty	Outer qty
Electrozap insect killer						
MBIK40	Insect killer Electrozap fluorescent 40W white	BX	9318416021863	1	-	-



MTECOUG60T

Cat.Nos	Page 47	Pack	Barcode	Single qty	Inner qty	Outer qty
Halogen downlights transformer						
MTECOUG60T	60W electronic transformer 10 pack	BX	9318416074630	10	-	100

Quick reference guide

Lighting and sensors



LA6001BUGBL

Cat.Nos	Page 36	Pack	Barcode	Single qty	Inner qty	Outer qty
LED insect globe						
LA6001BUGBC	A60 5W 460lm yellow B22		BX	9321001456728	1	10
					150	



LPAR38013K

Cat.Nos	Page 36	Pack	Barcode	Single qty	Inner qty	Outer qty
LED Par38 globe						
LPAR38013K	14W E27 1100lm warm white 3000K		BX	9321001441113	1	-
					12	



MG40HG



MR32X

Cat.Nos	Page 40	Pack	Barcode	Single qty	Inner qty	Outer qty
Fluorescent T8 and circular lamps						
MG40HG	37W meat/pink 20000h		BX	#N/A	1	-
					25	
MR32X	32W natural white 5000K 9000h quad phosphor		BX	4904323624669	1	-
					12	

New product

Energy Saving products

More info available. See technical pages

Coming soon

Product to be discontinued

Product only available in New Zealand

CS = Clam Shell, BL = Blister pack, BX = Box, SL = Sleeve, HSL = Hang sell sleeve, HBG = Hang sell bag, HBX = Hang sell box, TG = Tag. For more details on packaging see page 4.

Quick reference guide

Lighting and sensors



360/W1WE



366LYWE

Cat.Nos	Page 47	Pack	Barcode	Single qty	Inner qty	Outer qty
Battenholders						
360/W1WE	White B22 adjust. angle 64mm base 50mm mounting centre WP	PL	9321001013488	1	5	100
366LYWE	White B22 separate anch. plugs 68mm base 50mm mounting centre	PL	9321001013884	1	10	200



RGLKMVBL4



RGLTR60

Cat.Nos	Page 49 & 50	Pack	Barcode	Single qty	Inner qty	Outer qty
Garden lighting						
RGLKMVBL4	10W spotlight halogen metal black inc. transf and cable 4 pack	BX	9321001413523	1	-	4
RGLTR60	60VA self reset thermal overload black IP56	BX	9321001200772	1	-	8

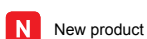


630/3



630R02WE

Cat.Nos	Page 51	Pack	Barcode	Single qty	Inner qty	Outer qty
Motion sensors						
630/3	PIR white IP44 wall 450-1200W manual override 180° scan 12m range	BX	9310539618500	1	-	40
630R02WE	PIR white IP41 ceiling 1000W auto 360° scan 8m range	BX	9321001456803	1	-	24



New product



Energy Saving products



More info available. See technical pages



Coming soon



Product to be discontinued



Product only available in New Zealand

Quick reference guide

Switches and sockets



CDAR770/1MGN



CDAR770/1WE



CDAR770/2MGN



CDAR770/2WE

Cat.Nos	Page 55	Pack	Barcode	Single qty	Inner qty	Outer qty
Arteor Rocker switches - Single Pole Double Throw (SPDT)*						
CDAR770/1WE	Switch 1 gang 2 way 16A 240V a.c. white	BX	9321001397229	1	5	80
CDAR770/1MGN	Switch 1 gang 2 way 16A 240V a.c. magnesium	BX	9321001397267	1	5	80
CDAR770/2WE	Switch 2 gang 2 way 16A 240V a.c. white	BX	9321001397236	1	5	80
CDAR770/2MGN	Switch 2 gang 2 way 16A 240V a.c. magnesium	BX	9321001397274	1	5	80
CDAR770/3WE	Switch 3 gang 2 way 16A 240V a.c. white	BX	9321001397243	1	5	80
CDAR770/3MGN	Switch 3 gang 2 way 16A 240V a.c. magnesium	BX	9321001397281	1	5	80
CDAR770/4WE	Switch 4 gang 2 way 16A 240V a.c. white	BX	9321001397250	1	5	80
CDAR770/4MGN	Switch 4 gang 2 way 16A 240V a.c. magnesium	BX	9321001397298	1	5	80

*To use in conjunction with Arteor coverplates (p.58)



CDAR777WE



CDAR777MGN

Cat.Nos	Page 55	Pack	Barcode	Single qty	Inner qty	Outer qty
Arteor double powerpoints*						
CDAR777WE	Powerpoint 2 gang 10A 240V a.c. white	BX	9321001397182	1	5	80
CDAR777MGN	Powerpoint 2 gang 10A 240V a.c. magnesium	BX	9321001397199	1	5	80

*To use in conjunction with Arteor coverplates (p.58)



CD575430



CD575431



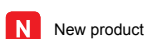
CD575432



CD575434

Cat.Nos	Page 58	Pack	Barcode	Single qty	Inner qty	Outer qty
Arteor coverplates*						
CD575430	Coverplate Arteor 770 series white	BX	9321001397069	1	5	50
CD575431	Coverplate Arteor 770 series pearl aluminium	BX	9321001397076	1	5	50
CD575432	Coverplate Arteor 770 series graphite	BX	9321001397083	1	5	50
CD575434	Coverplate Arteor 770 series mirror white	BX	9321001397120	1	5	50

*To use in conjunction with Arteor switches and sockets (p.55) or grids (p.57).



New product



Energy Saving products



More info available. See technical pages



Coming soon



Product to be discontinued



Product only available in New Zealand

CS = Clam Shell, BL = Blister pack, BX = Box, SL = Sleeve, HSL = Hang sell sleeve, HBG = Hang sell bag, HBX = Hang sell box, TG = Tag. For more details on packaging see page 4.

Quick reference guide

Switches and sockets



CDLN770/1WEWE



CDLN770/2WEWE



CDLN770/3WEWE



CDLNA770/1WEWE

Cat.Nos		Pack	Barcode	Single qty	Inner qty	Outer qty
	Page 59					
	HPM Linea switches					
CDLN770/1WEWE	Switch 1 gang 2 way 240V a.c. white	HBG	9321001393825	1	5	60
CDLN770/2WEWE	Switch 2 gang 2 way 240V a.c. white	HBG	9321001393832	1	5	60
CDLN770/3WEWE	Switch 3 gang 2 way 240V a.c. white	HBG	9321001393849	1	5	60
CDLNA770/1WEWE	Architrave switch 1 gang 2 way 10A 240V a.c. white	HBG	9321001393801	1	5	60



CDLN777WEWE



CDLN777WEMS



CDLN777XWEWE

Cat.Nos		Pack	Barcode	Single qty	Inner qty	Outer qty
	Page 60					
	HPM Linea double powerpoints					
CDLN777WEWE	Powerpoint 2 gang 10A 240V a.c. white	HBG	9321001393856	1	5	60
CDLN777WEMS	Powerpoint 2 gang 10A 240V a.c. white/matt silver	HBG	9321001393948	1	5	60
CDLN777XWEWE	Powerpoint 2 gang 10A 240V a.c. with extra switch white	HBG	9321001393870	1	5	60



CDXL770/1WEWE



CDXL770/2WEWE



CDXL770/3WEWE



CDXLA770/1WEWE



CDXLA770/2WEWE

Cat.Nos		Pack	Barcode	Single qty	Inner qty	Outer qty
	Page 63					
	HPM Excel switches					
CDXL770/1WEWE	Switch 1 gang 2 way 10A 240V a.c. white	HBG	9321001274568	1	10	130
CDXL770/2WEWE	Switch 2 gang 2 way 10A 240V a.c. white	HBG	9321001274575	1	10	130
CDXL770/3WEWE	Switch 3 gang 2 way 10A 240V a.c. white	HBG	9321001274582	1	10	130
CDXLA770/1WEWE	Architrave switch 1 gang 2 way 10A 240V a.c. white	BL	9321001271284	1	10	240
CDXLA770/2WEWE	Architrave switch 2 gang 2 way 10A 240V a.c. white	BL	9321001271291	1	10	240



New product



Energy Saving products



More info available. See technical pages



Coming soon



Product to be discontinued



Product only available in New Zealand

Quick reference guide

Switches and sockets



XL250TWE

Cat.Nos	Page 63	Pack	Barcode	Single qty	Inner qty	Outer qty
HPM Excel dimmers						
XL250TWE	Rotary dimmer trailing edge 2 wire 250VA 240V a.c. white	BX	9321001284000	1	3	108
XL250LWE	Rotary dimmer leading edge 2 wire 250VA 240V a.c. white	HBG	9321001284413	1	3	108



CDXL787WEWE



CDXL787XWEWE



CDXL777WEWE



CDXL777XWEWE



CDXL7774WEWE

Cat.Nos	Page 64	Pack	Barcode	Single qty	Inner qty	Outer qty
HPM Excel powerpoints						
CDXL787WEWE	Powerpoint 1 gang 10A 240V a.c. white	HBG	9321001274391	1	10	100
CDXL787XWEWE	Powerpoint 1 gang 10A 240V a.c. with extra switch white	HBG	9321001274414	1	10	100
CDXL777WEWE	Powerpoint 2 gang 10A 240V a.c. white	HBG	9321001274407	1	10	120
CDXL777XWEWE	Powerpoint 2 gang 10A 240V a.c. with extra switch white	HBG	9321001274421	1	10	130
CDXL7774WEWE	Powerpoint 4 gang 10A 240V a.c. white	HBG	9321001274438	1	5	30



RXL777USB2PSWE

Cat.Nos	Page 64	Pack	Barcode	Single qty	Inner qty	Outer qty
HPM Excel USB powerpoints						
RXL777USB2PSWE	Powerpoint 2 gang with Dual USB charger mech. 2x2.4A 250V a.c. White	HBG	9321001454328	1	-	12

Quick reference guide

Switches and sockets



CDXL770/1CXWE



CDXL770/1FOXWEW



CDXL770/1RJ2WEW

Cat.Nos		Pack	Barcode	Single qty	Inner qty	Outer qty
	Page 65					
	HPM Excel TV & data sockets					
CDXL770/1CXWE	TV outlet coaxial 1 gang 75 Ohm white	HBG	9321001139522	1	10	200
CDXL770/1FOXWEW	TV outlet F type Pay TV white	HBG	9321001393795	1	10	120
CDXL770/1RJ2WEW	RJ45 outlet Cat5e 1 gang white	HBG	9321001393788	1	10	120



CDXL770/1PLWE



CDXL770/2PLWE



CDXL770/2PLMS

Cat.Nos		Pack	Barcode	Single qty	Inner qty	Outer qty
	Page 66					
	HPM Excel cover plates					
CDXL770/1PLWE	Coverplate 1 gang white	HBG	9321001134664	1	10	400
CDXL770/2PLWE	Coverplate 2 gang white	HBG	9321001134695	1	10	400
CDXL770/1PLMS	Coverplate 1 gang matt silver	HBG	9321001134794	1	10	400
CDXL770/2PLMS	Coverplate 2 gang matt silver	HBG	9321001134824	1	10	400



CDXL787PLWE

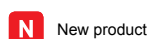


CDXL777PLWE



CDXL777PLMS

Cat.Nos		Pack	Barcode	Single qty	Inner qty	Outer qty
	Page 66					
	HPM Excel powerpoint coverplates					
CDXL787PLWE	Powerpoint coverplate 1 gang white	HBG	9321001134725	1	10	400
CDXL777PLWE	Powerpoint coverplate 2 gang white	HBG	9321001134756	1	10	400
CDXL777PLMS	Powerpoint coverplate 2 gang matt silver	HBG	9321001134886	1	10	400
CDXL777BLBL	Powerpoint 2 gang 10A 240V a.c. black	HBG	9321001386025	1	10	120



New product



Energy Saving products



More info available. See technical pages



Coming soon



Product to be discontinued



Product only available in New Zealand

CS = Clam Shell, BL = Blister pack, BX = Box, SL = Sleeve, HSL = Hang sell sleeve, HBG = Hang sell bag, HBX = Hang sell box, TG = Tag. For more details on packaging see page 4.

Quick reference guide

Switches and sockets



CD770MWE



D5MWE



D5MBL



R770USB2PSMWE

Cat.Nos	Page 67	Pack	Barcode	Single qty	Inner qty	Outer qty
HPM Excel/Linea mechanisms						
CD770MWE	Switch mech. 1 & 2 way 10A 240V a.c. white	BL	9321001271109	1	10	400
D5MWE	Cordline switch for 3-core or figure-8 wiring double pole 10A white	BL	9310539727202	1	10	300
D5MBL	Cordline switch for 3-core or figure-8 wiring double pole 10A black	BL	9321001062158	1	10	300
R770USB2PSMWE	USB charger mech. 2 x 2.4A 250V a.c. white	HBG	9321001454304	1	5	80



CD200LWE

Cat.Nos	Page 69	Pack	Barcode	Single qty	Inner qty	Outer qty
HPM standard dimmers						
CD200LWE	Rotary dimmer leading edge 2 wire 200VA 240V a.c. white	HBG	9321001389453	1	5	100



CD770/1WE



CD770/2WE



CD770/3WE



CDA770/1WE

Cat.Nos	Page 69	Pack	Barcode	Single qty	Inner qty	Outer qty
HPM Standard switches						
CD770/1WE	Switch 1 gang 10A 240V a.c. white	HBG	9321001271062	1	10	200
CD770/2WE	Switch 2 gang 10A 240V a.c. white	HBG	9321001271079	1	10	200
CD770/3WE	Switch 3 gang 10A 240V a.c. white	HBG	9321001271086	1	10	200
CDA770/1WE	Architrave switch 1 gang 2 way 10A 240V a.c. white	HBG	9321001271215	1	10	240
CD770/0WE	Blank plate white	HBG	9321001271055	1	10	400

Quick reference guide

Switches and sockets



CD787WE



CD787/15WE



CD777WE



CD777XWE

Cat.Nos		Page 70	Pack	Barcode	Single qty	Inner qty	Outer qty
		Standard Powerpoints					
CD787WE	Powerpoint 1 gang 10A 240V a.c. white		HBG	9321001271154	1	10	100
CD787/15WE	Powerpoint 1 gang 15A 240V a.c. white		HBG	9321001271147	1	10	100
CD777WE	Powerpoint 2 gang 10A 240V a.c. white		BL	9321001271123	1	10	120
CD777XWE	Powerpoint 2 gang 10A 240V a.c. with extra switch white		BL	9321001271130	1	10	120



WS171/1



WS171/2

Cat.Nos		Page 72	Pack	Barcode	Single qty	Inner qty	Outer qty
		Aqua switches					
WS171/1	Switch 1 gang IP56 10A 240V a.c. mist grey		BX	9321001188841	1	3	45
WS171/2	Switch 2 gang IP56 10A 240V a.c. mist grey		BX	9321001188858	1	3	60



DWS40



DWS53F/2WE

Cat.Nos		Page 72	Pack	Barcode	Single qty	Inner qty	Outer qty
		Aqua powerpoints					
DWS40	Powerpoint 1 gang IP53 10A 240V a.c. with side operating lever misty grey		BL	9321001132325	1	3	60
DWS53F/2WE	Powerpoint 2 gang flush mount IP53 10A 240V a.c. white		CS	9321001204497	1	5	40



New product



Energy Saving products



More info available. See technical pages



Coming soon



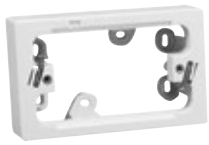
Product to be discontinued



Product only available in New Zealand

Quick reference guide

Installation accessories



CD140WE



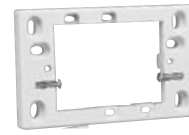
CD404



CD401



C239WE



CD137WE



YF4

Cat.Nos	Page 77	Pack	Barcode	Single qty	Inner qty	Outer qty
Wiring and installation accessories						
CD140WE	Mounting block 37mm deep for switches & GPOs white	BX	9321001407331	1	10	100
CD404	Junction box with 4 x 40A connectors (3x1+1x2 screws) 68x68x38mm white	BX	9321001407324	1	10	200
CD401	Connector heavy duty 40A 1 screw 6mm hole clear box of 10	HBG	9321001270973	1	10	240
D35P6	Terminal block connector strip 6 way white	BL	9310539907604	1	10	240
C239WE	Mounting block for switches & GPOs weatherproof IP56 120x75x44mm white	HBG	9321001270799	1	8	80
CD406	Junction box with 4 x 50A connectors (3x1+1x2 screws) 68x89x44mm white	BL	9321001271000	1	5	120
CD137WE	Mounting block for GPOs 84mm mounting centres 13mm deep white	HBG	9321001270850	1	10	240
YF4	Flush box universal white, retained metal nuts	HBG	9415733009595	1	100	100



DQ007

Cat.Nos	Page 78	Pack	Barcode	Single qty	Inner qty	Outer qty
Cable clips						
DQ007	Cable clips hook 8-10mm white pack of 20 clips	BL	9321001415459	1	10	200
DQ008	Cable clips hook 8-10mm black pack of 20 clips	BL	9321001415466	1	10	200
DQ107	Cable clips hook 8-10mm white pack of 100 clips	BL	9321001415527	1	5	50



CD37CL

Cat.Nos	Page 80	Pack	Barcode	Single qty	Inner qty	Outer qty
Plug bases						
CD37CL	Plug base single surface mount 3 flat pins 50mm mounting centres clear	HBG	9321001370598	1	10	100



New product



Energy Saving products



More info available. See technical pages



Coming soon



Product to be discontinued



Product only available in New Zealand

CS = Clam Shell, BL = Blister pack, BX = Box, SL = Sleeve, HSL = Hang sell sleeve, HBG = Hang sell bag, HBX = Hang sell box, TG = Tag. For more details on packaging see page 4.

Quick reference guide

Powerboards, extension leads and USB chargers



D104WE



D104PAWE



D104PAUSBWE



D105PBOSSPA6



REPC410USB



REPC11015

Cat.Nos	Page 85	Pack	Barcode	Single qty	Inner qty	Outer qty
Powerboards and Powercentres						
D104WE	4 outlets white overload protection 0.9m lead	BL	9310539018522	1	3	18
D104PAWE	4 outlets white overload protection 1.8m lead 175J surge	BL	9310539018539	1	3	18
D104PAUSBWE	4 outlets white overload protection 1.8m lead 525J surge 2x2.4A USB N	HBX	9321001432425	1	4	24
D105MS4WE	4 outlets white overload protection 3m lead 375 surge N	BL	9321001437864	1	5	20
D105PBOSSPA6	6 outlets yellow/black overload protection 3.0m lead 350J surge	TG	9321001222293	1	4	12
REPC410USB	4 outlets IP33 orange RCBO protect. 1.8m lead 2 x 2.4A USB N	BX	9321001431114	1	-	9
REPC11015	15A to 10A IP33 charcoal 1.8m lead RCBO protect ideal for caravans N	BX	9321001435013	1	-	9



R2820



R2930TL

Cat.Nos	Page 91	Pack	Barcode	Single qty	Inner qty	Outer qty
Extension leads						
R2820	20m lead yellow 3 core 1.0mm ²	SL	9321001141099	1	-	5
R2930TL	30m lead red/black 3 core 1.5mm ² with locking socket	SL	9321001411031	1	-	3

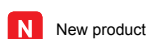


D2USB



PS5USB

Cat.Nos	Page 97	Pack	Barcode	Single qty	Inner qty	Outer qty
USB chargers						
D2USB	Single adapter with USB charger 10A socket 2x2.4A USB	HBX	9321001427162	1	6	36
PS5USB	5 port USB charging station 7.2A total	BX	9321001441694	1	4	40



New product



Energy Saving products



More info available. See technical pages



Coming soon



Product to be discontinued



Product only available in New Zealand

CS = Clam Shell, BL = Blister pack, BX = Box, SL = Sleeve, HSL = Hang sell sleeve, HBG = Hang sell bag, HBX = Hang sell box, TG = Tag. For more details on packaging see page 4.

Quick reference guide

Mobile products and ventilation



D818



D817SLIM

Cat.Nos	Page 97	Pack	Barcode	Single qty	Inner qty	Outer qty
Timers						
D818	Analogue 24h 15 minute increments	CS	9310539809809	1	4	32
D817SLIM	Digital 7 day 1min increments up to 16 ON/OFF settings per day battery back up	CS	9321001391142	1	6	36



D642/01



D641/PILR

Cat.Nos	Page 103	Pack	Barcode	Single qty	Inner qty	Outer qty
Door chimes - wireless battery-operated						
D642/01	White square 50m range 433.05-434.79MHz 80dB 16 mel. with LED indicator	CS	9321001259053	1	4	48
Door chimes - wireless plug-in						
D641/PILR	White 70m range 433.92MHz 70dB 2 mel. piggyback socket	CS	9321001227250	1	5	50



EF100SQSWE



EF200RDWE



EFIL150SQWE



R620LED

Cat.Nos	Page 107	Pack	Barcode	Single qty	Inner qty	Outer qty
Exhaust fans						
EF100SQSWE	14W square slimline white finish 105m ³ /h 158x158mm fascia	BX	9321001436164	1	-	4
EF200RDWE	35W round white finish 350m ³ /h 287mmØ fascia	BX	9321001436256	1	-	4
EFIL150SQWE	60W 150mm Inline fan square white	BX	9321001448884	1	-	-
R620LED	49W LED 200mm round white finish 300m ³ /h 340mmØ fascia	BX	9321001433989	1	-	2

Quick reference guide

Ventilation



BH2NDWE



BH4NDWE



BH2DWE



BH4DWE



R622D1



R622D2

Cat.Nos		Page 109	Pack	Barcode	Single qty	Inner qty	Outer qty
Bathroom heaters							
BH2NDWE	2 lamps 690W 240m ³ /h Ø300mm cut-out white LED centre light		BX	9321001432470	1	-	-
BH4NDWE	4 lamps 1240W 390m ³ /h 322x322mm cut-out white LED centre light		BX	9321001432494	1	-	-
BH2DWE	2 lamps ducted 840W 180m ³ /h 205x395mm cut-out white LED centre light		BX	9321001432517	1	-	-
BH4DWE	4 lamps ducted 1570W 180m ³ /h 295x355mm cut-out white LED centre light		BX	9321001432531	1	-	-
R622D1	2 lamps, instant heat ducted		BX	9321001243779	1	-	2
R622D2	4 lamps 1240W 135m ³ /h 300x300mm cut-out white		BX	9321001243786	1	-	-



L275HLES

Cat.Nos		Page 109	Pack	Barcode	Single qty	Inner qty	Outer qty
Bathroom heaters replacement globe							
L275HLES	275W single pack		BX	9321001160571	1	-	20



CF12HWE



CF12H316L



CFREMOTEH

Cat.Nos		Page 110	Pack	Barcode	Single qty	Inner qty	Outer qty
Ceiling fans							
CF12HWE	1200mm hang-sure 10020m ³ /h 320rpm 65W		BX	9321001426561	1	-	-
CF12H316L	1200mm hang-sure 10020m ³ /h 320rpm 65W		BX	9321001426660	1	-	-
CFREMOTEH	Remote control hang-sure white		BX	9321001431152	1	-	20

New product

Energy Saving products

More info available. See technical pages

Coming soon

Product to be discontinued

Product only available in New Zealand

CS = Clam Shell, BL = Blister pack, BX = Box, SL = Sleeve, HSL = Hang sell sleeve, HBG = Hang sell bag, HBX = Hang sell box, TG = Tag. For more details on packaging see page 4.

Alphabetical list

A

Accessories - general mounting and wiring	
brackets	77
cable clips	78
clips	77
insulated and earth connectors	79
junction boxes	78
mounting blocks	77
screws	79
wall boxes	77
Adaptors	
double adaptors	98
travel adaptors	98
Analogue timers	97
Aqua	
powerpoint	72
switches	72
Architrave coverplates	
standard	69
Architrave switches	
Excel	63
Linea	59
Standard	69
Arteor	55-60
coverplates	58
dimmers	55
grids	57
mechanisms	56
phone, TV, data & AV sockets	55
powerpoints	55
push buttons	56
switches	55
USB chargers	56

B

Bathroom heaters	109
replacement heat lamps	109
replacement R80 LED center light	109
Brackets	77

C

Cable clip	78
Cable reels	92
Ceiling exhaust fans	107
Ceiling sweep fans	110
remote control kit	111
light kits	111
accessories	111
CFL globes	37-39
Child-safe powerboard	86
Chimes	103
Coachlight	35
Cordline switches	67
Cord-pull ceiling switches - Standard	69
Coverplates	
Arteor	58
Excel	66
Linea	61,62

D

Digital timers	97
Dimmers	
Arteor	55, 56
Excel	63, 67
Linea	67
mechanisms	67
Standard	69
DLI Series downlight	29
Door chimes	
wireless battery-operated	103
wireless bell presses	103
wireless plug-in	103
Double adaptors	98
Double powerpoint with dual USB charger	
Excel	64
Downlights	
CFL	33
extension plates	30
halogen	32
LED	29, 30
Duct adaptor - ventilation	108
Ducting - ventilation	108

E

Ehalogen globes	42, 43
Electrozap insect killer	37
Engraved switch mechanisms	63
Excel	
architrave switches	63
coverplates	66
dimmers	63, 67
fan controllers	63
heavy-duty rocker switches	63
phone, TV, data & AV sockets	65
powerpoints	64, 65
switches	63
USB chargers	64
weatherproof IP56 switches	63
Extension leads	
accessories	92
cable reels	92
heavy-duty	92
heavy-duty lead with inline RCD	92
household duty	91
External grilles - ventilation	108

F

Fan controllers	
Excel	63
Linea	67
mechanisms	67
Standard	69
Fans	
bathroom	107, 108
ceiling	110
Fluorescent battens residential	34
Fluorescent oyster lights residential	35
Fluorescent T5 lamps	39
Fluorescent T8 lamps	40, 41
Floodlights outdoor	
Floodlights outdoor	33
incandescent	33
LED	31

G

Garden lighting	49, 50
Grid	
Arteor	57
Grid & plates	
Linea	61

H

Heavy-duty rocker switches	
Excel	63
Standard	69

I

IP53 weatherproof powerpoint - Aqua	72
IP54 weatherproof powerpoint - Aqua	72
IP56 weatherproof powerpoint - Aqua	72
Insulated and earth connectors	79
International travel adaptors	97, 98

J

Junction boxes	78
----------------	----

L

Lamps	
CFL	37-39
fluorescent	39-42
ehalogen	42, 43
Lamps (continued)	
halogen	43-45
tungsten halogen	45
incandescent	46
LED	36
LED	
downlights	29, 30
floodlights	31
globes	36
panel lights	30
starlights	30
step lights	30
striplights	30
wall lights	31
Lighting accessories	48
Lighting fixtures	
bunker lights	31
CFL downlights	33
coachlights	35
downlights extension plates	30
fluorescent battens	34
fluorescent oyster lights	35
halogen downlights	32
halogen floodlights	33
incandescent floodlights	33
LED downlights	29, 30
LED floodlights	31

LED panel lights	30
LED starlights	30
LED step lights	30
LED striplights	30
LED wall lights	30
outdoor floodlights	30
T5 Fluorescent battens	34
T8 Fluorescent battens	34
Linea	
accessories	77
coverplates	
powerpoints	62
switches	61, 62
dimmers	67
fan controllers	67
grid & plates	61
mounting brackets	67
powerpoints	60
switches – architrave	59
Linea (continued)	
switches	59
wall boxes	77

M

MCBs	
plug-in	81
Mechanisms	
Arteor	56
Excel/Linea	
cordline switches	67
dimmers	67
fan controllers	67
fan knobs	67
phone, TV, data and AV sockets	68
switches	67
USB chargers	68
Mounting accessories	
Linea	77
Movement sensors	
IP44 Sensors	51
IP66 Sensors	51
MR16 LED retrofit downlights	30

N

Night light	48
-------------------	----

O

Oyster lights	
residential	35

P

Phone, TV, data and AV sockets	
Arteor	55
Excel	65, 69
Linea	60, 69
Standard	71
Plug-in MCB's	81

Plug-in timers	
analogue outdoor timers	97
analogue timers	97
digital timers	97
Plug bases	80
Plug tops	80
Plugboss heavy-duty	86
Portable USB Chargers	97
Powerboards	
child-safe	86
individual switched outlets	85
master switch	85
Plugboss heavy-duty	86
power adaptor	86
TV & AV	85
USB chargers	85
worksite portable powercentre	86
Powercentre	86
Arteor	55
Aqua	72
Excel	64, 65
Linea	60
Standard	70
Push buttons	
Arteor	56

R

Rotary dimmers	
Excel	63, 67
Linea	63, 67
mechanisms	67
Standard	69

S

Safety plugs	80
Sensors	
IP44 movement sensors	51
IP66 movement sensors	51
Standard	
architrave	69
coverplates	71
dimmers	69
fan controllers	69
phone, TV, data and AV sockets	71
powerpoints	70
switches	69
Switches	
Arteor	55
Aqua	72
Excel	63
Linea	59
Standard	69

T

T8 fluorescent battens	34
T5 fluorescent battens	34
Timers	
plug-in analogue outdoor timers	97
plug-in analogue timers	97
plug-in digital timers	97
Travel adaptors	98

U

USB chargers	
Arteor	56
Excel	64
mechanisms	68
powerboards	85
powerpoints	64
portable USB chargers	97
USB travel chargers	97

V

Ventilation	
bathroom heaters	109
replacement heat lamps	109
replacement LED centre light	109
ceiling exhaust fans	107
ceiling sweep fans	110
ceiling sweep fans accessories	111
ceiling sweep fans light kits	111
ceiling sweep fans remote control kit	111
duct adaptor	108
ducting	108
exhaust fans	107, 108, 119
external grilles	108
time delay module	108, 119
wall exhaust fans	107
wall kits	108
window kits	108

W

Wall boxes	77
Wall exhaust fans	107
Wall kits – ventilation	108
Weatherproof IP56 switches – Aqua	72

X

Y

Z

Conditions of sale

In accordance with its policy of continuous improvement the Company reserves the right to change specifications and designs without notice. All illustrations descriptions dimensions and weights in this catalogue are for guidance and cannot be held binding on the Company.

Catalogue number index

Cat. Nos	Page No	Cat. Nos	Page No	Cat. Nos	Page No	Cat. Nos	Page No	Cat. Nos	Page No
1		A		CD137WE	16, 77	CD770MWE	14, 67	CDAR870/1MGN	55
				CD140WE	16, 77	CD770TOPLWE	71	CDAR870/1WE	55
106/1BL	80	A100	108	CD141WE	77	CD777/15WE	70	CDAR870MMGN	56
137/1WE	77	A101	108	CD150WE	77	CD777WE	15, 70	CDAR870MWE	56
2		A501	108	CD156WE	77	CD777XWE	15, 70	CDAR883/1WE	55
		A505	108	CD1A770CXWE	71	CD787/15WE	15, 70	CDAR883MMGN	56
2WS38	72	A800	108	CD200LWE	14, 69	CD787WE	15, 70	CDAR883MWE	56
2WS38P	72	A801	108	CD246	79	CD787XWE	70	CDCB108	81
3		AJ218HT	34	CD247	79	CD790WE	70	CDCB116	81
		AJ236HT	34	CD300FMWE	67	CD7P15CL	80	CDCB120	81
381	47	ASH108E	34	CD300FWE	69	CD7P15GY	80	CDCB132	81
388	47	ASH113EPBS	34	CD310WE	48	CD7P15WE	80	CDF1036/3WE	69
390	47	ASL118H	34	CD333SKWE	48	CD7PBL	80	CDFLUSHCAPS	71
300F	118	ASL136H	34	CD333WE	48	CD7PCL	80	CDGLCC4	50
310/10WE	48	AZ22	35	CD366SWE	47	CD7PGY	80	CDKNOB1WE	67
333BL	48	AZ32	35	CD366WE	47	CD7PWE	80	CDLN450PWEWE	67
359/10WE	48	AZ40	35	CD37CL	16, 80	CD84WE	48	CDLN770/1BLBL	59
360/W1WE	9, 47	AZSW32T	35	CD380	47	CD90/15WE	80	CDLN770/1BLGL	59
360WE	47			CD400LMWE	67	CD90WE	80	CDLN770/1CXWEWE	68
361LS	48	B		CD400TMWE	67	CD9WE	47	CDLN770/1GPLWE	61
366BL	47	BH1MS	109	CD401	16, 79	CDA770/1CXWE	71	CDLN770/1PLAS	61
366BR	47	BH1WE	109	CD402	79	CDA770/1WE	14, 69	CDLN770/1PLAU	61
366LYWE	9, 47	BH2DWE	19, 109	CD404	16, 78	CDA770/2PLWE	71	CDLN770/1PLBL	61
366WE	47	BH2NDMS	109	CD406	16, 78	CDA770/2WE	69	CDLN770/1PLGL	61
366YWE	47	BH2NDWE	19, 109	CD413	78	CDA770/3WE	69	CDLN770/1PLKH	61
		BH4DWE	19, 109	CD420/18	68	CDAL770/12HWSWE	69	CDLN770/1PLMS	61
		BH4NDMS	109	CD429	77	CDAL770/12WE	69	CDLN770/1PLOL	61
		BH4NDWE	19, 109	CD575430	10, 58	CDAR450PMGN	55	CDLN770/1PLPI	61
		BH4NDWE	19, 109	CD575431	10, 58	CDAR450PMMGN	56	CDLN770/1PLSB	61
5				CD575432	10, 58	CDAR450PMWE	56	CDLN770/1PLWE	61
				CD575433	58	CDAR450PWE	55	CDLN770/1PLYE	61
57434	80	BU140WE	77	CD575434	10, 58	CDAR770/1GOMGN	57	CDLN770/1RJ2WE	60
57514	80	BU37CL	80	CD575435	58	CDAR770/1GOWE	57	CDLN770/1WEMS	59
		BU401/1	79	CD575436	58	CDAR770/1MGN	10, 55	CDLN770/1WEWE	11, 59
		BU404	78	CD576470	58	CDAR770/1RJ5EWE	55	CDLN770/2BLBL	59
		BU429R	77	CD576471	58	CDAR770/1WE	10, 55	CDLN770/2BLGL	59
		BUXL777WE	64	CD576472	58	CDAR770/2GOMGN	57	CDLN770/2GPLWE	61
6		C		CD576475	58	CDAR770/2GOWE	57	CDLN770/2PLAS	61
				CD576476	58	CDAR770/2MGN	10, 55	CDLN770/2PLAU	61
630/3	9, 51	C239WE	16, 77	CD576478	58	CDAR770/2WE	10, 55	CDLN770/2PLBL	61
630/3A	51	CD100/8WE	80	CD576479	58	CDAR770/3FLHWE	55	CDLN770/2PLGL	61, 62
630/5	51	CD1002	80	CD600WE	69	CDAR770/3GOMGN	57	CDLN770/2PLKH	61
630/9-2W	51	CD100L15CL	80	CD601WE	69	CDAR770/3GOWE	57	CDLN770/2PLMS	61
630/9-3W	51	CD100L15GY	80	CD65WE	69	CDAR770/3MGN	10, 55	CDLN770/2PLOL	61
630R02WE	51	CD100L15WE	80	CD711	77	CDAR770/3WE	10, 55	CDLN770/2PLPI	61
630/3ABL	51	CD100LBL	80	CD712	77	CDAR770/4GOMGN	57	CDLN770/2PLSB	61
		CD100LCL	80	CD770/0WE	14, 71	CDAR770/4GOWE	57	CDLN770/2PLWE	61
		CD100LGY	80	CD770/1CXWE	71	CDAR770/4MGN	10, 55	CDLN770/2PLYE	61
7		CD100LWE	80	CD770/1PLWE	71	CDAR770/4WE	10, 55	CDLN770/2WEMS	59
		CD106/1GY	80	CD770/1WE	14, 69	CDAR770MMGN	56	CDLN770/2WEWE	11, 59
777X	117	CD106/1WE	80	CD770/2PCWE	63	CDAR770MWE	56	CDLN770/3BLBL	59
787X	117	CD106/2WE	80	CD770/2PLWE	71	CDAR777AMGN	55	CDLN770/3PLAS	62
777	117	CD106/3WE	80	CD770/2WE	14, 69	CDAR777AWE	55	CDLN770/3PLAU	62
787	117	CD107	92	CD770/3WE	14, 69	CDAR777MGN	10, 55	CDLN770/3PLKH	62
790	118	CD1210S2	68	CD770/4WE	69	CDAR777WE	10, 55	CDLN770/3PLMS	62
		CD1210S4	68	CD770CMWE	68	CDAR777XMGN	55	CDLN770/3PLOL	62
8		CD1310FS	68	CD770MBL	67	CDAR777XWE	55	CDLN770/3PLPI	62
80WE	48								
84WE	48								

Cat. Nos	Page No	Cat. Nos	Page No	Cat. Nos	Page No	Cat. Nos	Page No	Cat. Nos	Page No
CDLN770/3PLSB	62	CDXL777BLBL	13, 64	CFBL14BS	111	D121UK	98	DGLS150	50
CDLN770/3PLYE	62	CDXL777EL30	64	CFBL14WE	111	D122	98	DGLWLED	50
CDLN770/3WEWE	11, 59	CDXL777PLMS	13, 66	CFBL9BS	111	D2/2WE	98	DLI12501	29
CDLN777AWEWE	60	CDXL777PLPB	66	CFBL9WE	111	D2LWE	98	DLI12502	29
CDLN777BLBL	60	CDXL777PLSS	66	CFCLBS	111	D2PA	98	DLI7001	29
CDLN777BLGL	60	CDXL777PLWE	13, 66	CFCLWE	111	D2PA/2WE	98	DLI70014P	29
CDLN777PLAS	62	CDXL777XPLMS	12, 64	CFDR1500HWE	111	D2PAB	98	DLI7002	29
CDLN777PLAU	62	CDXL777XPLMS	66	CFDR1500JWE	111	D2USB	17, 97	DLI7003	29
CDLN777PLKH	62	CDXL777XPLWE	66	CFDR750HBS	111	D2USB121	97	DLI7004	29
CDLN777PLMS	62	CDXL777XWEWE	12, 64	CFDR750HWE	111	D2WE	98	DLI9001	5, 29
CDLN777PLOL	62	CDXL787BLMS	64	CFDR750JBS	111	D303F	48	DLI90014P	29
CDLN777PLPI	62	CDXL787PLMS	66	CFDR750JWE	111	D332WE	48	DLI9002	5, 29
CDLN777PLSB	62	CDXL787PLPB	66	CFOLBS	111	D359WE	48	DLI9003	29
CDLN777PLYE	62	CDXL787PLSS	66	CFOLWE	111	D35P6	16, 79	DLI9004	29
CDLN777WEMS	11, 60	CDXL787PLWE	13, 66	CFREMOTEH	19, 111	D360WE	47	DLS9001	29
CDLN777WEWE	11, 60	CDXL787WEWE	12, 64	CFREMOTEJ	111	D420/11	68	DLS9002	29
CDLN777XBLBL	60	CDXL787XWEWE	12, 64	CL3B	78	D420/14	68	DLS9003	29
CDLN777XBLGL	60	CDXLA770/1WEWE	11, 63	CL4B	78	D420/15	68	DLS9004	29
CDLN777XPLAS	62	CDXLA770/2WEWE	11, 63			D420/16	68	DMCB10	81
CDLN777XPLAU	62	CDXLA770/3WEWE	63			D420/19	68	DMCB16	81
CDLN777XPLKH	62	CDXLP777ESWEWE	64			D420/1WE	68	DMCB20	81
CDLN777XPLMS	62	CDXLV777BLBL	65			D420/2WE	68	DMCB32	81
CDLN777XPLOL	62	CDXLV777PLMS	66			D4USB	97	DMCB6	81
CDLN777XPLPI	62	CDXLV777PLWE	66			D5101	92	DMCBBASE	81
CDLN777XPLSB	62	CDXLV777WEWE	65			D5MBL	14, 67	DQ001	78
CDLN777XPLYE	62	CDXLV777XPLMS	66			D5MWE	14, 67	DQ002	78
CDLN777XWEMS	60	CDXLV777XWEWE	65			D641/B	103	DQ003	78
CDLN777XWEWE	11, 60	CDXLV787BLBL	65			D641/BFL	103	DQ004	78
CDLN787BLBL	60	CDXLV787PLMS	66			D641/BLR	103	DQ005	78
CDLN787WEWE	60	CDXLV787PLWE	66			D641/BLRCC	103	DQ006	78
CDLNA770/1WEWE	11, 59	CDXLV787WEWE	65			D641/BPCC	103	DQ007	16, 78
CDLNA770/2WEWE	59	CDXLW770V1WE	63			D641/BPWE	103	DQ008	16, 78
CDV777	117	CF12H304	110			D641/PI	103	DQ009	78
CDV777WE	70	CF12H316L	19, 110			D641/PIFL	103	DQ010	78
CDV787WE	70	CF12H4WE	110			D641/PILR	18, 103	DQ011	78
CDXL1036WE	63	CF12HBS	110			D642/01	18, 103	DQ105	78
CDXL300F	115	CF12HWE	19, 110			D642/012R	103	DQ107	16, 78
CDXL300FWE	63	CF12J304	110			D642/05	103	DQ108	78
CDXL770/0WE	63	CF12J316L	110			D642/L1	103	DQ109	78
CDXL770/1BLBL	63	CF12J4WE	110			D642/L2	103	DQ110	78
CDXL770/1CXWE	13, 65	CF12JBS	110			D770CXFP	68	DQ111	78
CDXL770/1FOXWEW	13, 65	CF12JWE	110			D770CXP	68	DQ201	78
CDXL770/1PLMS	13, 66	CF13HAW	110			D770CXPSE	68	DQU30	78
CDXL770/1PLPB	66	CF14H304	110			D809/1	97	DSLBAT4	50
CDXL770/1PLSS	66	CF14H316L	110			D809/1TWIN	97	DWS170	72
CDXL770/1PLWE	13, 66	CF14H4WE	110			D810/2	97	DWS40	15, 72
CDXL770/1RJ2WEW	13, 65	CF14HBS	110			D810SLIM	97	DWS44	72
CDXL770/1WEWE	11, 63	CF14HWE	110			D810SLIMDP	97	DWS44/777WE	72
CDXL770/2BLBL	63	CF14J304	110			D810SLIMTP	97	DWS53F/1WE	72
CDXL770/2PLMS	13, 66	CF14J316L	110			D810SLIMTPDP	97	DWS53F/2WE	72
CDXL770/2PLPB	66	CF14J4WE	110			D817/2	97	DWS53F/2WE	15
CDXL770/2PLSS	66	CF14JBS	110			D817/2DP	97		
CDXL770/2PLWE	13, 66	CF14JWE	110			D817SLIM	18, 97		
CDXL770/2WEWE	11, 63	CF9HBS	110			D817SLIMTP	97		
CDXL770/3BLBL	63	CF9HWE	110			D817SLIMTPDP	97		
CDXL770/3FLHWE	63	CF9JBS	110			D818	18, 97	EF100	120
CDXL770/3PLMS	66	CF9JWE	110			D818ODDP	97	EF100/150TD	108
CDXL770/3PLWE	66	CFBL12304	111			D819/2	97	EF100RDWE	107, 120
CDXL770/3WEWE	11, 63	CFBL12316L	111			D9500WE	48	EF100SQSWE	18, 107, 120
CDXL770/4FLHHWE	63	CFBL12BS	111			DCS1	67	EF100SQWE	107, 120
CDXL770/4WEWE	63	CFBL12WE	111			DF20	47	EF150RDWE	107, 120
CDXL770/5WEWE	63	CFBL14304	111			DF40	47	EF150SQSWE	107, 120
CDXL774WEWE	12, 64	CFBL14316L	111			DGLHS1	50	EF150SQWE	107, 120
								EF200RDMS	107



LIGHTING & SENSORS



P. 29
LED downlights

Fixtures



P. 32
Halogen and CFL downlights



P. 36
LED globes A60, PAR38, R80, GU10 and MR16 lamps

Globes



P. 39
Fluorescent T5, T8 and circular

Lighting accessories



P. 47
Fluorescent and halogen accessories

Garden lighting



P. 49
Garden lighting 12V d.c.

Sensors



P. 51
IP44 weatherproof sensor

FEATURED PRODUCTS



MR16 Retrofit downlights
(p. 30)



Forta floodlights
(p. 31)



LED A60 lamps
(p. 36)



P. 30
LED
panel lights



P. 30
LED
wall lights



P.30
LED step lights
and starlights



P. 30
LED
floodlights



P. 31
LED
oysters



P. 33
Incandescent
and halogen
floodlights



P. 34
Fluorescent
battens



P. 35
Fluorescent wall
lights, oyster
and bunker lights



P. 35
Coachlights



P. 37
Electrozap
insect killer



P. 37
CFL triple
and quad tube



P. 37
CFL spiral,
bug and party



P. 37
CFL
T2



P. 36
CFL
R80



P. 42
Ehalogen
candle and
fancy round



P. 43
Ehalogen
GLS



P. 43
Halogen
G4 bipin



P. 43
Halogen
G9



P. 44
Halogen
GU10



P. 47
Battenholders



P. 48
Lampholders



P. 48
Ceiling roses



P. 50
Garden lighting
12V d.c. accessories



P. 51
IP66
weatherproof
sensor



**LED R80
lamps
(p. 36)**



**IP44
Sensors
(p. 51)**

Lighting & sensors solutions

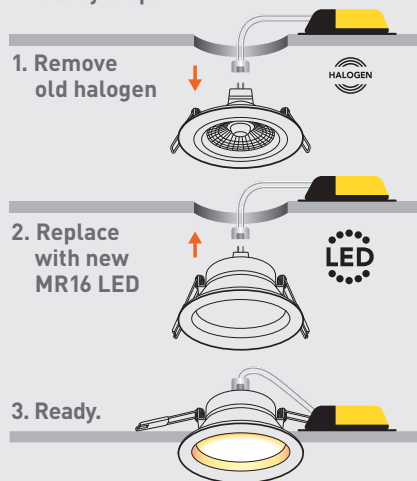


MR16 LED RETROFIT DOWNLIGHTS

Upgrade with ease old halogen downlights with **HPM MR16 Retrofit LED downlights** and enjoy maximum brightness, a contemporary sleek design and up to **70% energy savings**.



"Do It Yourself" installation in 3 easy steps:



LED LIGHTING FIXTURES

Create ambience and make a space feel more beautiful with our task lighting superstars. Whether you're after ceiling lights, downlights or a decorative wall light, we've got you covered.



LED GLOBES

Replace your old globes with our long-lasting LED alternatives and start saving energy, pronto. Whether you need a PAR38 or an A60, we are expanding our range everyday to cover your needs.



FLOODLIGHTS

If you're lighting a suburban backyard, it's not usually the size of a football field, so you won't need the power and expense of a commercial floodlight. You need something that's fit for purpose. That's where we can help.



Lighting and sensors

LED Fixtures



DLI9001



DLI9003



DLI12502



LDL043KWE



DLS9001



LDL013KWE

Cat.Nos	LED dimmable downlights with integrated driver	Pack	Barcode	Single qty	Inner qty	Outer qty
DLI7001	5W 505lm warm white 3000k white 70mm cut-out dim	BX	9321001455134	1	-	48
DLI7002	5W 515lm cool white 4000k white 70mm cut-out dim	BX	9321001455141	1	-	48
DLI7003	5W 505lm warm white 3000k brushed chrome 70mm cut-out dim	BX	9321001455493	1	-	48
DLI7004	5W 515lm cool white 4000k brushed chrome 70mm cut-out dim	BX	9321001455509	1	-	48
DLI70014P	4 Pack 5W 505lm warm white 3000K white 70mm cut-out dim	BX	9321001457008	4	-	36
DLI9001	7W DLI 700lm warm white 3000K white 90mm cut-out dim	BX	9321001451655	1	-	24
DLI9002	7W DLI 820lm cool white 4000K white 90mm cut-out dim	BX	9321001451662	1	-	24
DLI9003	7W 700lm warm white 3000k brushed chrome 90mm cut-out dim	BX	9321001455479	1	-	24
DLI9004	7W 820lm cool white 4000k brushed chrome 90mm cut-out dim	BX	9321001455486	1	-	24
DLI90014P	4 Pack 7W DLI 700lm warm white 3000K white 90mm cut-out dim	BX	9321001454427	4	-	24
DLI12501	7W DLI 750lm warm white 3000K white 125mm cut-out dim	BX	9321001451679	1	-	24
DLI12502	7W DLI 880lm cool white 4000K white 125mm cut-out dim	BX	9321001451686	1	-	24
LDL043KWE	8W AZA+ 750lm warm white 3000K white 90mm cut-out dim	BX	9321001449249	1	-	20
LDL044KWE	8W AZA+ 820lm cool white 4000K white 90mm cut-out dim	BX	9321001449256	1	-	20
LED dimmable downlights with external driver						
LDL033KWE	7W FREESIA 500lm warm white 3000K white 70mm cut-out dim	BX	9321001434801	1	-	20
LDL034KWE	7W FREESIA 500lm cool white 4000K white 70mm cut-out dim	BX	9321001434825	1	-	20
LDL033KPS	7W FREESIA 500lm warm white 3000K polished aluminium 70mm cut-out dim	BX	9321001434818	1	-	20
LDL034KPS	7W FREESIA 500lm cool white 4000K polished aluminium 70mm cut-out dim	BX	9321001434832	1	-	20
DLS9001	10W DLS 800lm warm white 3000K white 90mm cut-out dim	BX	9321001431565	1	-	24
DLS9002	10W DLS 830lm cool white 4000K white 90mm cut-out dim	BX	9321001431572	1	-	24
DLS9003	10W DLS 800lm warm white 3000K b. chrome 90mm cut-out dim	BX	9321001431589	1	-	24
DLS9004	10W DLS 830lm cool white 4000K b. chrome 90mm cut-out dim	BX	9321001431596	1	-	24
LDL013KWE	11W AZALEA 800lm warm white 3000K white 90mm cut-out dim	BX	9321001432883	1	-	20
LDL014KWE	11W AZALEA 850lm cool white 4000K white 90mm cut-out dim	BX	9321001432890	1	-	20
LDL013KPS	11W AZALEA 800lm warm white 3000K polished aluminium 90mm cut-out dim	BX	9321001432906	1	-	20
LDL014KPS	11W AZALEA 850lm cool white 4000K polished aluminium 90mm cut-out dim	BX	9321001432913	1	-	20
LDL023KWE	15W DALIA 950lm warm white 3000K white 90mm cut-out dim	BX	9321001432920	1	-	20
LDL024KWE	15W DALIA 980lm cool white 4000K white 90mm cut-out dim	BX	9321001432937	1	-	20
LDL023KPS	15W DALIA 950lm warm white 3000K anodised aluminium 90mm cut-out dim	BX	9321001432944	1	-	20
LDL024KPS	15W DALIA 980lm cool white 4000K anodised aluminium 90mm cut-out dim	BX	9321001432951	1	-	20



Insulation Contact (IC) recessed luminaire - building insulation that can be continuously exposed to 90°C, can safely abut and cover the luminaire



Insulation Contact - Fire Resistant (IC-4) recessed luminaire - building insulation that can be continuously exposed to 90°C can safely abut and cover the luminaire. Additionally, IC-4 rated downlights have to pass a 1mm probe test i.e. a 1mm diameter probe cannot enter any part of the luminaire and in effect no insulation or any other material can enter the fitting.

New product

Energy Saving products

More info available. See technical pages

Coming soon

Product to be discontinued

Product only available in New Zealand

Lighting and sensors

LED Fixtures



Cat.Nos	LED MR16 retrofit downlights 12V - DIY		Pack	Barcode	Single qty	Inner qty	Outer qty
LMR16703KWE	7W warm white 3000K 550lm white 70mm cut-out		BX	9321001449300	1	16	64
LMR16704KWE	7W cool white 4000K 590lm white 70mm cut-out		BX	9321001449317	1	16	64
LMR16903KWE	9W warm white 3000K 710lm white 90mm cut-out		BX	9321001449324	1	12	48
LMR16904KWE	9W cool white 4000K 770lm white 90mm cut-out		BX	9321001449331	1	12	48
Downlights extension plates							
LPE120WE	For holes up to Ø120mm for 90mm cut-out downlights		TG	9321001441601	1	-	96
LPE150WE	For holes up to Ø150mm for 90mm cut-out downlights		TG	9321001441618	1	-	96
LED panel lights							
LPA013KWE	18W LUNA 1440lm warm white 3000K white finish 225mm cut-out dim		BX	9321001432999	1	-	10
LPA014KWE	18W LUNA 1500lm cool white 4000K white finish 225mm cut-out dim		BX	9321001437499	1	-	10
LED step lights							
LST013KWE	2.4W CALLA 24lm warm white 3000K white 45mm cut-out dimmable		BX	9321001433002	1	-	100
LST013KPS	2.4W CALLA 24lm warm white 3000K silver 45mm cut-out dimmable		BX	9321001433019	1	-	100
LED star lights							
LST023KWE	2.4W ZINNIA 95lm warm white 3000K white finish 32mm cut-out dimmable		BX	9321001433026	1	-	100
LST023KPS	2.4W ZINNIA 95lm warm white 3000K polished aluminium 32mm cut-out dimmable		BX	9321001433033	1	-	100
LDR02D700/18	18W driver kit for ZINNIA/CALLA LED step lights & starlights		BX	9321001433064	1	-	50
LED striplights							
LDR01N700/36	36W RIBBA driver and 1m strip 600lm warm white 3000K up to 5m strip		CS	9321001433057	1	-	24
LSL013K	7W RIBBA 600lm strip warm white 3000K 1m length		CS	9321001433040	1	-	24
LED wall lights							
LWL013KPS	10W PINNA up/downlight 380lm warm white 3000K anodised aluminium IP54		BX	9321001432968	1	-	24
LWL023KPS	7.5W KYRA up/downlight 430lm warm white 3000K anodised aluminium IP54		BX	9321001432975	1	-	24
LWL033KWE	7.5W DIAMA up/downlight 520lm warm white 3000K white indoor		BX	9321001432982	1	-	12
LWL053KWE	8.3W KORA up/downlight 335lm warm white 3000K white indoor		BX	9321001447269	1	-	24
LWL063KPS	7W MIKA up/downlight 350lm warm white 3000K anodised aluminium IP54		BX	9321001441588	1	-	12
LED oysters lights							
LOL013KWE	17W ATIS 1650lm warm white 3000K white dimmable		BX	9321001455974	1	-	6
LOL014KWE	17W ATIS 1750lm cool white 4000K white dimmable		BX	9321001455981	1	-	6
LOL023KPS	18W AURA 1520lm warm white 3000K silver dimmable		BX	9321001449287	1	-	4
LOL024KPS	18W AURA 1530lm cool white 4000K silver dimmable		BX	9321001449294	1	-	4

New product

Energy Saving products

More info available. See technical pages

Coming soon

Product to be discontinued

Product only available in New Zealand

CS = Clam Shell, BL = Blister pack, BX = Box, SL = Sleeve, HSL = Hang sell sleeve, HBG = Hang sell bag, HBX = Hang sell box, TG = Tag. For more details on packaging see page 4.

Lighting and sensors

LED Fixtures



LBL014KWE



LFS0316WBL



LFS0130WBL



LSS0112WBL



LWK0130WBL



LWK0240WBL

Cat.Nos	LED bunker light		Pack	Barcode	Single qty	Inner qty	Outer qty
LBL014KWE	12W OROYA 870lm cool white 4000K white Ø270mm IP65		BX	9321001454885	1	-	6
LED floodlights							
LFS013KBL	28W 2200lm Twin PAR38 with PIR sensor warm white 3000K IP44 black		BX	9321001434788	1	-	10
LSS0209WBL	9W 900lm MAXIS with PIR sensor cool white 4000K IP44 black		BX	9321001441311	1	-	8
LFL0213WBL	13W 1100lm BAKRA cool white 4000K IP44 black		BX	9321001441175	1	-	10
LFS0214WBL	14W 1100lm BAKRA with PIR sensor cool white 4000K IP44 black		BX	9321001441182	1	-	6
LFS0316WBL	16W 1700lm TORAN with PIR sensor cool white 4000K IP44 black		BX	9321001441328	1	-	4
LFL0110WBL	10W 730lm FORTA cool white 4000K IP44 black		BX	9321001441199	1	-	12
LFL0120WBL	20W 1615lm FORTA cool white 4000K IP44 black		BX	9321001441205	1	-	6
LFL0130WBL	30W 2250lm FORTA cool white 4000K IP44 black		BX	9321001441212	1	-	4
LFL0140WBL	40W 3000lm FORTA cool white 4000K IP44 black		BX	9321001441229	1	-	4
LFS0110WBL	10W 730lm FORTA with PIR sensor cool white 4000K IP44 black		BX	9321001441236	1	-	12
LFS0130WBL	30W 2250lm FORTA with PIR sensor cool white 4000K IP44 black		BX	9321001441243	1	-	2
LSP0112WBL	12W 1070lm SIKA cool white 4000K IP44 black		BX	9321001441274	1	-	6
LSP0125WBL	25W 2200lm SIKA cool white 4000K IP44 black		BX	9321001441281	1	-	6
LSS0112WBL	12W 1070lm SIKA with PIR sensor cool white 4000K IP44 black		BX	9321001441298	1	-	6
LSS0125WBL	25W 2200lm SIKA with PIR sensor cool white 4000K IP44 black		BX	9321001441304	1	-	6
LED worklights							
Portable							
LWK0110WBL	10W 730lm FORTA cool white 4000K IP44 black		BX	9321001450603	1	-	8
LWK0120WBL	20W 1615lm FORTA cool white 4000K IP44 black		BX	9321001450610	1	-	8
LWK0130WBL	30W 2250lm FORTA cool white 4000K IP44 black		BX	9321001450627	1	-	4
Tripod							
LWK0220WBL	2x10W 1460lm FORTA cool white 4000K IP44 black		BX	9321001450634	1	-	2
LWK0240WBL	2x20W 3230lm FORTA cool white 4000K IP44 black		BX	9321001450641	1	-	2

New product

Energy Saving products

More info available. See technical pages

Coming soon

Product to be discontinued

Product only available in New Zealand

CS = Clam Shell, BL = Blister pack, BX = Box, SL = Sleeve, HSL = Hang sell sleeve, HBG = Hang sell bag, HBX = Hang sell box, TG = Tag. For more details on packaging see page 4.

Lighting and sensors

Fixtures



MALC515



MALC515BCMCKT



MGU317WHMCK

Cat.Nos	Halogen downlights - Nelson	Pack	Barcode	Single qty	Inner qty	Outer qty
MR16 fixed						
MALC317	35W white 70mm cut-out no lamp	BX	9318416999315	1	-	60
MALC317BC	35W brushed chrome 70mm cut-out no lamp	BX	9318416018030	1	-	60
MK317WH35	35W white 70mm cut-out	✕ BX	9318416074685	1	-	50
MK317BC35	35W brushed chrome 70mm cut-out	✕ BX	9318416074708	1	-	50
MALC317WHMC	35W white 70mm cut-out with mesh cover	✕ BX	9318416074722	1	-	24
MALC317WHMCKT	35W white 70mm cut-out with mesh cover 10 pack	✕ BX	9318416074432	1	-	4
MALC317BCMC	35W brushed chrome 70mm cut-out with mesh cover	✕ BX	9318416074746	1	-	24
MALC317BCMCKT	35W brushed chrome 70mm cut-out with mesh cover 10 pack	✕ BX	9318416074456	1	-	4
MR16 Gimble						
MALC515	35W white 90mm cut-out no lamp	✕ BX	9318416999230	1	-	60
MALC515BC	35W brushed chrome 90mm cut-out no lamp	✕ BX	9318416018023	1	-	60
MK515WH35	35W white 90mm cut-out	✕ BX	9318416074692	1	-	50
MK515BC35	35W brushed chrome 90mm cut-out	✕ BX	9318416074715	1	-	50
MALC515BCMC	35W brushed chrome 90mm cut-out with mesh cover	✕ BX	9318416074753	1	-	24
MALC515BCMCKT	35W brushed chrome 90mm cut-out with mesh cover 10 pack	✕ BX	9318416074463	1	-	4
MALC515WHMC	35W white 90mm cut-out with mesh cover	✕ BX	9318416074739	1	-	24
MALC515WHMCKT	35W white 90mm cut-out with mesh cover 10 pack	✕ BX	9318416074449	1	-	4
GU10 fixed						
MGU317WHMCK	50W white 70mm cut-out with mesh cover	✕ BX	9318416073404	1	-	24
MGU317BCMCK	50W brushed chrome 70mm cut-out with mesh cover	✕ BX	9318416074494	1	-	24
MGU317WHMCKT	50W white 70mm cut-out with mesh cover 10 pack	✕ BX	9318416074517	1	-	4
MGU317BCMCKT	50W brushed chrome 70mm cut-out with mesh cover 10 pack	✕ BX	9318416074531	1	-	4
GU10 Gimble						
MGU515BCMCK	50W brushed chrome 90mm cut-out with mesh cover	✕ BX	9318416074500	1	-	24
MGU515BCMCKT	50W brushed chrome 90mm cut-out with mesh cover 10 pack	✕ BX	9318416074548	1	-	4
MGU515WHMCK	50W white 90mm cut-out with mesh cover	✕ BX	9318416073411	1	-	24
MGU515WHMCKT	50W white 90mm cut-out with mesh cover 10 pack	✕ BX	9318416074524	1	-	4
Halogen downlights with movement sensor						
MPES700K35	35W MR16 white 100mm cut-out	BX	9318416074869	1	-	10
MPES701	50W GU10 white 100mm cut-out	BX	9318416068158	1	-	20



New product



Energy Saving products



More info available. See technical pages



Coming soon



Product to be discontinued



Product only available in New Zealand

CS = Clam Shell, BL = Blister pack, BX = Box, SL = Sleeve, HSL = Hang sell sleeve, HBG = Hang sell bag, HBX = Hang sell box, TG = Tag. For more details on packaging see page 4.

Lighting and sensors

Fixtures



MP38PERMF



MP38PF



MPES69BVP



R605/3



MPES39G9

Cat.Nos		Pack	Barcode	Single qty	Inner qty	Outer qty
CFL downlights - Nelson						
MALC7WH	20W cool white 4000K white 130mm cut-out dimmable	BX	9318416067533	1	-	30
Outdoor floodlights						
Incandescent floodlights						
MP38PERMF	150W single floodlight PAR38 IP44 black	BX	9318416061005	1	-	16
MP38CL	150W single portable floodlight PAR38 with clamp IP44 black	BX	9318416071011	1	-	20
MP38PF	150W single floodlight PAR38 with flex & plug IP44 black	BX	9318416059194	1	-	16
MALC113	Twin floodlight PAR38 IP44 black lamps not supplied	BX	9318416018016	1	-	20
MPES69	Twin floodlight PAR38 with PIR sensor man. override IP44 lamps not supplied black	BX	9318416013042	1	-	20
MPES181BP	300W twin floodlight PAR38 with PIR sensor IP44 black	BX	9321001410478	1	-	10
MPES69BVP	300W twin floodlight PAR38 with PIR sensor man. override IP44 black	BX	9318416057220	1	-	8
MALC113VP	300W twin floodlight PAR38 IP44 black	BX	9318416018016	1	-	10
MPES69DIY	DIY twin floodlight PAR38 with PIR sensor man. override IP44 lamps not supplied black	BX	9318416018009	1	-	20
MPES69BWP	Twin floodlight PAR38 with PIR sensor man. override IP65 lamps not supplied black	BX	9318416053352	1	-	20
MPES69WWP	Twin floodlight PAR38 with PIR sensor man. override IP65 lamps not supplied white	BX	9318416059378	1	-	20
Incandescent floodlights - Nelson						
MPES39B	150W PIR wall man. over. 180° scan 12m range IP44 black	BX	9318416000912	1	-	20
MPES39BWP	150W PIR wall man. over. 180° scan 12m range IP44 black	BX	9318416053369	1	-	20
Halogen floodlights						
R605/3	150W floodlight IP44 white	BX	9310539015491	1	-	20
R605/4	500W floodlight IP44 silver	BX	9310539015484	1	-	12
R605/5	150W floodlight with PIR sensor man. override IP44 white	BX	9321001130055	1	-	6
R605/6	500W floodlight with PIR sensor man. override IP44 white	BX	9321001130062	1	-	6
Halogen floodlights - Nelson						
MPES39G9	100W motion sensor PIR black IP44 wall man. over. 180° scan 12m range	BX	9318416065041	1	-	-
MALC113G9	200W Twin G9 floodlight IP44 black	BX	9318416065935	1	-	20
MALC113G9SI	200W Twin G9 floodlight IP44 silver	BX	9318416065959	1	-	20
MALC113G9W	200W Twin G9 floodlight IP44 white	BX	9318416065942	1	-	20
MPES69G9	200W Twin G9 floodlight with PIR sensor man. override IP44 black	BX	9318416065027	1	-	16
MPES69G9SI	200W Twin G9 floodlight with PIR sensor man. override IP44 silver	BX	9318416065287	1	-	16
MPES69G9W	200W Twin G9 floodlight with PIR sensor man. override IP44 white	BX	9318416065034	1	-	16
MALC115	1500W black IP55 heavy duty	BX	9318416060459	1	-	6
Solar security floodlights						
RSSL605/2	Silver aluminium solar security light with sensor	BX	9321001393108	1	-	4

New product

Energy Saving products

More info available. See technical pages

Coming soon

Product to be discontinued

Product only available in New Zealand

CS = Clam Shell, BL = Blister pack, BX = Box, SL = Sleeve, HSL = Hang sell sleeve, HBG = Hang sell bag, HBX = Hang sell box, TG = Tag. For more details on packaging see page 4.

Lighting and sensors

Fluorescent battens



AJ236HT

ASL118H

NWP4228

MT82T51X28

Cat.Nos	Fluorescent battens - Nelson	Pack	Barcode	Single qty	Inner qty	Outer qty
	T8					
AJ218HT	Battens T8 Jupiter 2x18W natural white 5000K white	BX	9325461000545	1	-	-
AJ236HT	Battens T8 Jupiter 2x36W natural white 5000K white	BX	9325461000576	1	-	-
ASL118H	Battens T8 slimline 18W natural white 4300K aluminium	BX	9325461000170	1	-	-
ASL136H	Battens T8 slimline 36W natural white 4300K aluminium	BX	9325461000194	1	-	-
	T5					
M5F114	Battens T5 slimline 14W cool white 4000K white	BX	9318416064228	1	-	-
M5F128	Battens T5 slimline 28W cool white 4000K white	BX	9318416060770	1	-	-
M5F214	Battens T5 slimline 2x14W cool white 4000K white	BX	9318416064235	1	-	-
M5F228	Battens T5 slimline 2x28W cool white 4000K white	BX	9318416060787	1	-	-
M5FD128	Battens T5 slimline 28W cool white 4000K white	BX	9318416072827	1	-	-
M5FD214	Battens T5 slimline 2x14W cool white 4000K white	BX	9318416065430	1	-	-
M5FD228	Battens T5 slimline 2x18W cool white 4000K white	BX	9318416059392	1	-	-
NWP4228	Battens T5 WP IP65 2x28W natural white 5000K grey	BX	9318416059873	1	-	-
ASH108E	Mini-batten T5 silhouette 8W natural white 4300K	BX	9325461000132	1	-	-
ASH113EPBS	Mini-batten T5 silhouette 13W natural white 4300K	BX	9325461000149	1	-	-
	Accessories					
MT82T51X28	Adaptor T8 to T5 28W warm white 4000K white finish	BX	9318416068141	1	-	30
MT82T51X28R4K	Adaptor T8 to T5 28W cool white 4000K white finish double insulated	HBX	9318416073008	1	-	30

Lighting and sensors

Fluorescent oysters and coachlights



MRT5YA22



AZ32



MPES40BL

Cat.Nos	Fluorescent oysters lights - Nelson	Pack	Barcode	Single qty	Inner qty	Outer qty
MRT5YA22	22W T5 slimline cool white 4000K Ø295mm white	BX	9318416059477	1	-	8
AZ22	22W Z series natural white 4300K Ø310mm white	BX	9325461000019	1	-	-
MRT5YA32	32W T5 slimline cool white 4000K Ø340mm white	BX	9318416060152	1	-	8
MRT5YA32IP	32W IP65 T5 slimline cool white 4000K Ø349mm beige	BX	9318416074197	1	-	6
AZSW32T	32W Z series natural white 4300K Ø360mm white	BX	9325461000040	1	-	-
AZ32	32W Z series natural white 4300K Ø385mm white	BX	9325461000026	1	-	-
MRT5YA40	40W T5 slimline cool white 4000K Ø395mm white	BX	9318416063191	1	-	6
AZ40	40W Z series natural white 5000K Ø460mm white	BX	9325461000033	1	-	-
MPES760	60W PIR ceiling man. over. 100° scan 7m rg plastic white	BX	9318416057084	1	-	6
MPES761	60W PIR ceiling man. over. 100° scan 7m rg plastic white	BX	9318416068172	1	-	4
	Coachlight - Nelson					
MPES40BL	75W PIR IP33 wall man. over. 110° scan 12m range black	BX	9318416059279	1	-	6
MPES40GR	75W PIR IP33 wall man. over. 110° scan 12m range green	BX	9318416059309	1	-	6
MPES40WH	75W PIR IP33 wall man. over. 110° scan 12m range white	BX	9318416059286	1	-	6



New product



Energy Saving products



More info available. See technical pages



Coming soon



Product to be discontinued



Product only available in New Zealand

CS = Clam Shell, BL = Blister pack, BX = Box, SL = Sleeve, HSL = Hang sell sleeve, HBG = Hang sell bag, HBX = Hang sell box, TG = Tag. For more details on packaging see page 4.

Lighting and sensors

LED globes and anti-insect



LA60013KES



LPAR38013K



LR63013KES



LA6001FILBC



LCA013KSES



LA6001BUGBC

Cat.Nos				Pack	Barcode	Single qty	Inner qty	Outer qty
LED A60								
Edison E27								
LA60013KES	5W 490lm warm white 3000K E27			BX	9321001449010	1	10	150
LA60014KES	5W 520lm cool white 4000K E27			BX	9321001449027	1	10	150
LA60023KES	8W 945lm warm white 3000K E27			BX	9321001449034	1	10	150
LA60024KES	8W 1035lm cool white 4000K E27			BX	9321001449041	1	10	150
Bayonet B22								
LA60013KBC	5W 490lm warm white 3000K B22			BX	9321001449058	1	10	150
LA60014KBC	5W 520lm cool white 4000K B22			BX	9321001449065	1	10	150
LA60023KBC	8W 945lm warm white 3000K B22			BX	9321001449072	1	10	150
LA60024KBC	8W 1035lm cool white 4000K B22			BX	9321001449089	1	10	150
LED A60 filament								
LA6001FILES	3.7W 500lm warm white 3000K E27			BX	9321001456018	1	10	50
LA6001FILBC	3.7W 500lm warm white 3000K B22			BX	9321001456025	1	10	50
LED A60 insect globes								
LA6001BUGES	5W 460lm yellow E27			BX	9321001456711	1	10	150
LA6001BUGBC	5W 460lm yellow B22			BX	9321001456728	1	10	150
LED PAR38								
LPAR38013K	14W 1100lm warm white 3000K E27			BX	9321001441113	1	-	12
LED R63								
LR63013KES	5.7W 570lm warm white 3000K E27			BX	9321001448891	1	12	96
LED R80								
LR80014K	7W 600lm cool white E27 4000K E27 short neck for instant heat units			BX	9321001434474	1	12	108
LR80023K	7W 580lm warm white 3000K E27			BX	9321001447993	1	10	60
LR80024K	7W 700lm cool white 4000K E27			BX	9321001448006	1	10	60
LR80023KD	7.5W 650lm warm white 3000K E27 dimmable			BX	9321001449379	1	10	60
LR80024KD	7.5W 690lm cool white 4000K E27 dimmable			BX	9321001449362	1	10	60
LED candle								
LCA013KSES	3W 300lm warm white 3000K E14			BX	9321001457022	1	24	192
LCA023KSES	5W 560lm warm white 3000K E14			BX	93210014457374	1	24	192
LED GU10								
LGU10013K	5W 460lm warm white 3000K			BX	9321001448907	1	10	100
LGU10014K	5W 500lm cool white 4000K			BX	9321001448914	1	10	100

New product

Energy Saving products

More info available. See technical pages

Coming soon

Product to be discontinued

Product only available in New Zealand

CS = Clam Shell, BL = Blister pack, BX = Box, SL = Sleeve, HSL = Hang sell sleeve, HBG = Hang sell bag, HBX = Hang sell box, TG = Tag. For more details on packaging see page 4.

Lighting and sensors

Insect killer and CFL globes



MBIK40



MELTG11ES

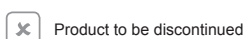
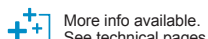


MELTG9BC



MELQAL11ES

Cat.Nos	Electrozap insect killer - Nelson	Pack	Barcode	Single qty	Inner qty	Outer qty
MBIK40	Insect killer Electrozap fluorescent 40W white	BX	9318416021863	1	-	-
CFL triple tube - Nelson						
Edison E14						
MELTG9SES	9W E14 warm white 3000K 6000h	BX	9318416068967	1	-	50
Edison E27						
MELTG9ES	9W E27 warm white 3000K 6000h	BX	9318416068929	1	-	50
MELTG9ESN	9W E27 natural white 5000K 6000h	BX	9318416068912	1	-	50
MELTG11ES	11W E27 warm white 3000K 6000h	BX	9318416069001	1	-	50
MELTG11ESN	11W E27 natural white 5000K 6000h	BX	9318416068998	1	-	50
MELTG15ES	15W E27 warm white 3000K 6000h	BX	9318416069087	1	-	50
MELTG15ESN	15W E27 natural white 5000K 6000h	BX	9318416069070	1	-	50
MELT28ESNS	28W E27 natural white 5000K 6000h	CS	9318416054267	1	10	50
Bayonet B22						
MELTG9BC	9W B22 warm white 3000K 6000h	BX	9318416068943	1	-	50
MELTG9BCN	9W B22 natural white 5000K 6000h	BX	9318416068936	1	-	50
MELTG11BC	11W B22 warm white 3000K 6000h	BX	9318416069025	1	-	50
MELTG11BCN	11W B22 natural white 5000K 6000h	BX	9318416069018	1	-	50
MELTG15BC	15W B22 warm white 3000K 6000h	BX	9318416069100	1	-	50
MELTG15BCN	15W B22 natural white 5000K 6000h	BX	9318416069094	1	-	50
CFL quad tube - Nelson						
Edison E27						
MELQAL11ES	11W E27 warm white 3000K 6000h	BX	9318416058951	1	-	50
MELQAL11ESN	11W E27 natural white 5000K 6000h	BX	9318416058944	1	-	50
MELQAL15ES	15W E27 warm white 3000K 6000h	BX	9318416058999	1	-	50
MELQAL15ESN	15W E27 natural white 5000K 6000h	BX	9318416058982	1	-	50
MELQAL20ES	15W E27 warm white 3000K 6000h	CS	9318416066031	1	20	100
MELQAL20ESN	20W E27 natural white 5000K 6000h	CS	9318416066024	1	20	100
MELQ48ESS	48W E27 warm white 3000K 6000h	BX	9318416054618	1	-	25
MELQ48ESNS	48W E27 natural white 5000K 6000h	BX	9318416054625	1	-	2



CS = Clam Shell, BL = Blister pack, BX = Box, SL = Sleeve, HSL = Hang sell sleeve, HBG = Hang sell bag, HBX = Hang sell box, TG = Tag. For more details on packaging see page 4.

Lighting and sensors

CFL globes



MELQAL11BC



MELSD20ESN



MELTS20BCNS



MELSD20ES



MELS20BLKES

Cat.Nos	CFL quad tube - Nelson	Pack	Barcode	Single qty	Inner qty	Outer qty
	Bayonet B22					
MELQAL11BC	11W B22 warm white 3000K 6000h	BX	9318416058937	1	-	50
MELQAL11BCN	11W B22 natural white 5000K 6000h	BX	9318416058920	1	-	50
MELQAL15BC	15W B22 warm white 3000K 6000h	CS	9318416058975	1	-	50
MELQAL15BCN	15W B22 natural white 5000K 6000h	BX	9318416058968	1	-	-
MELQAL20BC	20W B22 warm white 3000K 6000h	CS	9318416066017	1	20	100
MELQAL20BCN	20W B22 natural white 5000K 6000h	CS	9318416066000	1	20	100
MELQ48BCNS	48W B22 natural white 5000K 6000h	BX	9318416054601	1	-	25
	CFL spiral - Nelson					
	Edison E27					
MELSD15ES	15W E27 warm white 3000K dimmable	BX	9318416070526	1	20	100
MELSD20ES	20W E27 warm white 3000K 10000h dimmable	BX	9318416070564	1	20	100
MELSD20ESN	20W E27 natural white 5000K 10000h dimmable	BX	9318416070588	1	20	100
MELTS20ESNS	20W E27 natural white 5000K 6000h spherical	BX	9318416054427	1	-	20
MELTS20ESS	20W E27 warm white 3000K 6000h spherical	BX	9318416054410	1	-	20
MELS105GESCW	105W E27 cool white 4000K 6000h	BX	9318416072858	1	-	10
	Bayonet B22					
MELTS20BCNS	20W B22 natural white 5000K 6000h	BX	9318416054403	1	-	20
MELTS20BCS	20W B22 warm white 3000K 6000h	BX	9318416054397	1	-	20
MELSD20BC	20W B22 warm white 3000K 10000h dimmable	BX	9318416070557	1	20	100
MELSD20BCN	20W B22 natural white 5000K 10000h dimmable	BX	9318416070571	1	20	100
	CFL anti insect - Nelson					
MELSD20ES	20W E27 yellow 5000K 6000h	BX	9318416059408	1	-	25
MELSD20BC	20W B22 yellow 5000K 6000h	BX	9318416059415	1	-	25
	CFL party light ultra violet - Nelson					
MELS20BLKBC	20W E27 black ultra violet 5000K 6000h	BX	9318416059439	1	4	40
MELS20BLKES	20W B22 black ultra violet 5000K 6000h	BX	9318416059422	1	4	40

Lighting and sensors

Fluorescent globes



MELTR8011ESF



MELMR11ESNS



M5T14CC



M5R22CC

Cat.Nos		Pack	Barcode	Single qty	Inner qty	Outer qty
CFL T2 - Nelson						
Edison E27						
MELST211ESN	11W E27 natural white 5000K 8000h twister tube 835lm	BX	9318416072056	1	-	100
MELST215ES	15W E27 warm white 3000K 8000h twister tube 1032lm	BX	9318416072087	1	20	100
MELST215ESN	15W E27 natural white 5000K 8000h twister tube 1032lm	BX	9318416072094	1	20	100
Bayonet B22						
MELST215BC	15W B22 warm white 3000K 8000h twister tube 1032lm	BX	9318416072100	1	20	100
MELST215BCN	15W B22 natural white 5000K 8000h twister tube 1032lm	BX	9318416072117	1	20	100
CFL R80 - Nelson						
Edison E27						
MELMR11ESNS	11W E27 natural white 5000K 6000h	BX	9318416054021	1	-	50
Fluorescent T5 lamps - Nelson						
Straight						
M5T14CC	14W cool white 4000K 549mm 12000h	BX	9318416063337	1	-	50
M5T14LC	14W warm white 3000K 549mm 12000h	BX	9318416063320	1	-	50
M5T14NC	14W natural white 5000K 549mm 12000h	BX	9318416063344	1	-	50
M5T21CC	21W cool white 4000K 549mm 12000h	BX	9318416063368	1	-	50
M5T28CC	28W cool white 4000K 549mm 20000h	BX	9318416057985	1	-	50
M5T28D	28W daylight white 6700K 549mm 20000h	BX	9318416070724	1	-	50
M5T28NC	28W natural white 5000K 549mm 20000h	BX	9318416057992	1	-	50
M5T35NC	35W natural white 5000K 549mm 20000h	BX	9318416071264	1	-	25
Circular						
M5R22CC	22W cool white 4000K Ø180mm 16000h	BX	9318416057244	1	-	40
M5R22LC	22W warm white 3000K Ø180mm 16000h	BX	9318416060428	1	-	40
M5R22NC	22W natural white 5000K Ø180mm 16000h	BX	9318416059453	1	-	40
M5R32CC	32W cool white 4000K Ø180mm 16000h	BX	9318416060404	1	-	20
M5R32NC	32W natural white 5000K Ø180mm 16000h	BX	9318416060398	1	-	20
M5R40CC	40W cool white 4000K Ø180mm 16000h	BX	9318416064181	1	-	30
M5R40NC	40W natural white 5000K Ø180mm 16000h	BX	9318416064174	1	-	30

New product

Energy Saving products

More info available. See technical pages

Coming soon

Product to be discontinued

Product only available in New Zealand

CS = Clam Shell, BL = Blister pack, BX = Box, SL = Sleeve, HSL = Hang sell sleeve, HBG = Hang sell bag, HBX = Hang sell box, TG = Tag. For more details on packaging see page 4.

Lighting and sensors

Fluorescent T8 and circular lamps



MF40SSBR-HG





MR32CX



MRN32NX



MR40CX

Cat.Nos	Fluorescent T8 lamps - Nelson/NEC	Pack	Barcode	Single qty	Inner qty	Outer qty
	Straight - yellow - Nelson					
MCC18Y	18W yellow 7000h	BX	9318416063689	1	-	25
MCC36Y	36W yellow 10000h	BX	9318416063726	1	-	25
	Straight - plant/aquarium - NEC					
MF30SSBR-HG	30W plant/aquarium 9000h	BX	4904323609123	1	-	50
MF40SSBR-HG	40W plant/aquarium 20000h	 BX	4904323609352	1	-	25
	Straight - meat/pink - NEC					
MG30HG	30W meat/pink 9000h	BX	-	1	-	25
MG40HG	37W meat/pink 20000h	BX	-	1	-	25
MG58HG	58W meat/pink 20000h	BX	-	1	-	25
	Straight - black-insect - NEC					
MI15	15W black/insect 2.1uva 7500h	BX	4904323609611	1	25	200
MI20	20W black/insect 5uva 9000h	BX	4904323609284	1	-	25
MI40	40W black/insect 8uva 20000h	BX	4904323609628	1	-	25
	Straight - blue- NEC					
MJ40	40W blue 7.4uva 20000h	BX	4904323609680	1	10	40
	Fluorescent T9 lamps - Nelson/NEC					
	Circular - Nelson					
MRN22	22W natural white 5000K 9000h	BX	9318416066178	1	-	20
MRN32	32W natural white 5000K 9000h	BX	9318416066185	1	-	20
	Circular - NEC					
MRN22CX	22W cool white 4000K 9000h quad phosphor	BX	9318416074272	1	-	12
MR20CX	22W cool white 4200K 9000h quad phosphor	BX	4904323624607	1	-	12
MR20X	22W natural white 5000K 9000h quad phosphor	BX	4904323624614	1	-	12
MU22	22W daylight white 6500K 9000h	 BX	4904323609871	1	-	20
MRN32CX	32W cool white 4000K 9000h quad phosphor	BX	9318416074296	1	-	12
MR32CSG	32W cool white 4200K 9000h	BX	4904323624638	1	-	20
MR32CX	32W cool white 4200K 9000h quad phosphor	BX	4904323624645	1	-	12
MR32SG	32W natural white 5000K 9000h	BX	4904323624652	1	-	20
MR32X	32W natural white 5000K 9000h quad phosphor	BX	4904323624669	1	-	12
MRN32NX	32W natural white 5000K 9000h quad phosphor	BX	9318416074289	1	-	12
MR32LX	32W warm white 3000K 9000h quad phosphor	BX	4904323613656	1	-	20
MRN32LX	32W warm white 3000K 9000h quad phosphor	BX	9318416074302	1	-	12
MR40CX	40W cool white 4200K 9000h quad phosphor	BX	4904323624676	1	-	12



New product



Energy Saving products



More info available. See technical pages



Coming soon



Product to be discontinued



Product only available in New Zealand

CS = Clam Shell, BL = Blister pack, BX = Box, SL = Sleeve, HSL = Hang sell sleeve, HBG = Hang sell bag, HBX = Hang sell box, TG = Tag. For more details on packaging see page 4.

Lighting and sensors

Fluorescent T8 and ehalogen lamps



MT36N



MC10



MT18CX

Cat.Nos	Fluorescent T8 lamps	Pack	Barcode	Single qty	Inner qty	Outer qty
	Straight - Nelson					
MT18C	18W cool white 4200K 12000h	BX	9318416062750	1	-	25
MT18D	18W daylight white 6700K 12000h	BX	9318416063412	1	-	25
MT18N	18W natural white 5000K 12000h	BX	9318416062736	1	-	25
MT18NX	18W natural white 5000K 9000h	BX	9318416074333	1	-	25
MT18LX	18W warm white 3000K 9000h	BX	9318416074357	1	-	25
MT36C	36W cool white 4200K 12000h	BX	9318416062743	1	-	25
MT36CX	36W cool white	BX	9318416074371	1	-	25
MT36D	36W daylight white 6700K 12000h	BX	9318416063429	1	-	25
MT36N	36W natural white 5000K 12000h	BX	9318416062729	1	-	25
MT36NX	36W natural white 5000K 7500h	BX	9318416074364	1	-	25
	Straight - NEC					
MC08	8W cool white 4200K 6000h	BX	4904323609475	1	-	250
MC10	10W cool white 4200K 6000h	BX	4904323609482	1	-	200
MD10	10W daylight white 6500K 7500h	BX	4904323609543	1	-	200
MT10HGX	10W natural white 5000K 7500h	BX	4904323617746	1	-	200
MC13	13W cool white 4200K 7500h	BX	4904323609499	1	25	25
MT13HG	13W natural white 5000K 7500h	BX	4904323615957	1	-	25
MC15	15W cool white 4200K 7500h	BX	4904323609512	1	-	25
MD15	15W daylight white 6500K 7500h	BX	4904323609567	1	25	200
MT15HGX	15W natural white 5000K 7500h	BX	4904323617722	1	25	200
MT18CX	18W cool white 4200K	BX	9318416074340	1	-	25
MT18CHGX	18W cool white 4200K 9000h	BX	4904323615964	1	-	25
MT18HG	18W natural white 5000K 9000h	BX	4904323609239	1	-	25
MT18HGX	18W natural white 5000K 9000h	BX	4904323615971	1	-	25
MC37SDM	37W cool white 4200K 20000h medical	BX	4904323609574	1	-	25
MT37CHGX	37W cool white 4200K 20000h	BX	4904323615995	1	-	25
MT37DHG	37W daylight white 6500K 20000h	BX	-	1	-	25
MT37DHGSP	37W daylight white 6500K 20000h	BX	-	1	-	25
MT37HG	37W natural white 5000K 20000h	BX	4904323609208	1	-	25
MT37HGSP	37W natural white 5000K 20000h	BX	-	1	-	25
MT37HGX	37W natural white 5000K 20000h	BX	4904323616008	1	-	25

N New product

ECO Energy Saving products

+ More info available. See technical pages

COMING SOON Coming soon

X Product to be discontinued

NZ Product only available in New Zealand

CS = Clam Shell, BL = Blister pack, BX = Box, SL = Sleeve, HSL = Hang sell sleeve, HBG = Hang sell bag, HBX = Hang sell box, TG = Tag. For more details on packaging see page 4.

Lighting and sensors

Fluorescent T8 lamps and Ehalogen globes



MRN40



MNCAN28SESF



MNFRD28SESC



MNG933



MNGU1040

Cat.Nos	Fluorescent T8 lamps - Nelson/NEC	Pack	Barcode	Single qty	Inner qty	Outer qty
	Circular - Nelson					
MRN40	40W natural white 5000K 9000h	BX	9318416066192	1	-	10
	Circular - NEC					
MR40X	40W natural white 5000K 9000h quad phosphor	BX	4904323624690	1	-	12
MRN40CX	40W cool white 4000K 9000h quad phosphor	BX	9318416074326	1	-	12
MRN40NX	40W natural white 5000K 9000h quad phosphor	BX	9318416074319	1	-	12
	Ehalogen candle - Nelson					
	Edison E14/E27					
MNCAN28SESF	28W E14 frost warm white 2780K	BX	9318416073664	1	10	100
MNCAN28ESC	28W E27 clear warm white 2780K	BX	9318416072339	1	20	100
MNCAN28ESF	28W E27 frost warm white 2780K	BX	9318416073640	1	10	100
MNCAN28SESC	28W E27 clear warm white 2780K	BX	9318416072384	1	20	100
	Bayonet B15/B22					
MNCAN28BCF	28W B15 frost warm white 2780K	BX	9318416073657	1	10	100
MNCAN28BCC	28W B22 clear warm white 2780K	BX	9318416072223	1	20	100
MNCAN28BCF	28W B22 frost warm white 2780K	BX	9318416073633	1	10	100
MNCAN28SBCC	28W B22 clear warm white 2780K	BX	9318416072360	1	20	100
	Ehalogen fancy round - Nelson					
	Edison E14/E27					
MNFRD28SESC	28W E14 clear warm white 2780K	BX	9318416072377	1	10	100
MNFRD28SESF	28W E14 frost warm white 2780K	BX	9318416073701	1	10	100
MNFRD28ESC	28W E27 clear warm white 2780K	HBX	9318416072346	1	10	100
MNFRD28ESF	28W E27 frost warm white 2780K	BX	9318416073688	1	10	100
	Bayonet B15/B22					
MNFRD28SBCC	28W B15 clear warm white 2780K	HBX	9318416072353	1	10	100
MNFRD28BCF	28W B15 frost warm white 2780K	BX	9318416073695	1	10	100
MNFRD28BCC	28W B22 clear warm white 2780K	BX	9318416072322	1	10	100
MNFRD28BCF	28W B22 frost warm white 2780K	BX	9318416073671	1	10	100
	Ehalogen G9					
MNG933	33W clear warm white 2780K	CS	9318416072247	1	20	100
MNG942	42W clear warm white 2780K	CS	9318416072254	1	20	200
	Ehalogen GU10- Nelson					
MNGU1040	40W clear warm white 2780K	BX	9318416072261	1	20	200



New product



Energy Saving products



More info available. See technical pages



Coming soon



Product to be discontinued



Product only available in New Zealand

CS = Clam Shell, BL = Blister pack, BX = Box, SL = Sleeve, HSL = Hang sell sleeve, HBG = Hang sell bag, HBX = Hang sell box, TG = Tag. For more details on packaging see page 4.

Lighting and sensors

Ehalogen and halogen globes



MNGLS28ESC



MNR6342



MJC20CDP

Cat.Nos	Ehalogen GLS - Nelson	Pack	Barcode	Single qty	Inner qty	Outer qty
Edison E27						
MNGLS28ESC	28W E27 clear warm white 2780K	BX	9318416072278	1	10	100
MNGLS28ESF	28W E27 frost warm white 2780K	BX	9318416073725	1	10	100
MNGLS42ESC	42W E27 clear warm white 2780K	BX	9318416072285	1	10	100
MNGLS42ESF	42W E27 frost warm white 2780K	BX	9318416073749	1	10	100
MNGLS52ESC	52W E27 clear warm white 2780K	BX	9318416073558	1	10	100
MNGLS52ESF	52W E27 frost warm white 2780K	BX	9318416073596	1	10	100
MNGLS70ESC	70W E27 clear warm white 2780K	BX	9318416073565	1	10	100
MNGLS70ESF	70W E27 frost warm white 2780K	BX	9318416073602	1	10	100
Bayonet B22						
MNGLS28BCC	28W B22 clear warm white 2780K	BX	9318416072209	1	10	100
MNGLS28BCF	28W B22 frost warm white 2780K	BX	9318416073718	1	10	100
MNGLS42BCC	42W B22 clear warm white 2780K	HBX	9318416072216	1	10	100
MNGLS42BCC2P	42W B22 clear warm white 2780K	BX	9321001434603	1	20	60
MNGLS42BCF	42W B22 frost warm white 2780K	BX	9318416073732	1	10	100
MNGLS52BCC	52W B22 clear warm white 2780K	BX	9318416073572	1	10	100
MNGLS52BCF	52W B22 frost warm white 2780K	BX	9318416073619	1	10	100
MNGLS70BCC	70W B22 clear warm white 2780K	BX	9318416073589	1	10	100
MNGLS70BCF	70W B22 frost warm white 2780K	BX	9318416073626	1	10	100
Ehalogen R63 - Nelson						
MNR6342	42W clear warm white 2780K	BX	9318416072230	1	10	100
Halogen G4 Bipin - Nelson						
MJC1035	10W G4 clear warm white 3500K	BX	9318416054878	1	20	200
MJC2035	20W G4 clear warm white 3500K	BX	9318416054885	1	20	200
MJC20CDP	20W G4 clear warm white 3500K twin pack	BX	9318416999285	1	25	200
MJC35CDP	35W G4 clear warm white 3500K twin pack	BX	9318416999292	1	25	200
Halogen G9 lamps dimmable - Nelson						
MAG940C	40W clear warm white 3200K dimmable	✕ BX	9318416056636	1	10	200
MAG940C	40W clear warm white 3200K dimmable	✕ BX	9318416056636	1	10	200
MAG940CX	40W clear Xenon warm white 2900K dimmable	✕ BX	9318416060923	1	10	200
MAG940F	40W frost warm white 3000K dimmable	✕ BX	9318416056681	1	20	200
MAG9100C	100W clear warm white 3200K dimmable	✕ BX	9318416059231	1	20	200
MAG9100F	100W frost warm white 3000K dimmable	✕ BX	9318416059248	1	20	200



Energy Saving products



More info available. See technical pages



Coming soon



Product to be discontinued



Product only available in New Zealand

Lighting and sensors

Halogen lamps



MGU1020W40



MGU1040G



MAFTDBPB



MABABRPB



MABABYPB

Cat.Nos			Pack	Barcode	Single qty	Inner qty	Outer qty
Halogen G9 lamps dimmable - Nelson							
MAG940FX	40W frost Xenon warm white 2900K dimmable	✕	BX	9318416060947	1	10	200
MAG950C	50W clear warm white 3200K dimmable		HBX	9318416056643	1	20	200
MAG950F	50W frost warm white 3000K dimmable	✕	BX	9318416056698	1	20	200
MAG975C	75W clear warm white 3200K dimmable		CS	9318416056667	1	20	200
MAG975F	75W frost warm white 3000K dimmable	✕	CS	9318416056711	1	20	200
Halogen GU10 lamps - Nelson							
MGU1020W40	20W clear aluminium reflector	✕	BX	9318416068165	1	20	200
MGU1040	50W clear aluminium reflector	✕	BX	9318416022655	1	10	200
MGU1040E	50W clear aluminium reflector		BX	9318416057237	1	10	100
MGU1040G	50W green aluminium reflector	✕	BX	9318416058555	1	10	200
MGU1040R	50W red aluminium reflector	✕	BX	9318416058548	1	10	200
MGU1040Y	50W yellow aluminium reflector	✕	BX	9318416058562	1	10	200
Halogen MR8 lamps - Nelson							
MAMR820CPB	20W clear aluminium reflector		BX	9318416059149	1	10	200
MAMR8CPB	10W clear aluminium reflector		BX	9318416057398	1	10	200
Halogen MR11 lamps - Nelson							
MAFTD	20W clear aluminium reflector	✕	BX	9318416040314	1	10	200
MAFTDBPB	20W blue aluminium reflector	✕	BX	9318416057411	1	10	200
MAFTDCPB	20W clear aluminium reflector 460cd		BX	9318416057404	1	10	200
MAFTDGPB	20W green aluminium reflector	✕	BX	9318416057428	1	10	200
MAFTDRPB	20W red aluminium reflector		BX	9318416057435	1	10	200
MAFTDYPB	20W yellow aluminium reflector	✕	BX	9318416057442	1	10	200
MAFTECPB	35W clear aluminium reflector	✕	BX	9318416067403	1	10	200
Halogen MR16 lamps - Nelson							
MATEN38CPB	10W clear aluminium reflector	✕	BX	9318416070182	1	10	200
MABABBPB	20W blue aluminium reflector	✕	BX	9318416054922	1	10	200
MABABCPB	20W clear aluminium reflector	✕	BX	9318416054908	1	10	200
MABABGPB	20W green aluminium reflector		BX	9318416054946	1	10	200
MABABRPB	20W red aluminium reflector	✕	BX	9318416054939	1	10	200
MABABYPB	20W yellow aluminium reflector	✕	BX	9318416054953	1	10	200

N New product

ECO Energy Saving products

+ More info available. See technical pages

COMING SOON Coming soon

✕ Product to be discontinued

NZ Product only available in New Zealand

CS = Clam Shell, BL = Blister pack, BX = Box, SL = Sleeve, HSL = Hang sell sleeve, HBG = Hang sell bag, HBX = Hang sell box, TG = Tag. For more details on packaging see page 4.

Lighting and sensors

Halogen lamps



MAFXNCPB

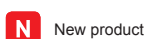


MQ1LC



MP2050

Cat.Nos	Halogen MR16 lamps - Nelson	Pack	Barcode	Single qty	Inner qty	Outer qty
MAFTD2P	20W clear aluminium reflector twin pack	BX	9318416075088	1	10	100
MAFTE	35W clear aluminium reflector ✕	BX	9318416040321	1	10	200
MAFXNBPB	35W blue aluminium reflector	BX	9318416074890	1	10	200
MAFXNCPB	35W clear aluminium reflector ✕	BX	9318416074906	1	10	200
MAFMWCCPB	35W clear aluminium reflector 60° beam angle ✕	BX	9318416074982	1	10	200
MAWFLC4P	35W clear aluminium reflector 4-pack ✕	BX	9318416071622	1	0	100
MAFXNGPB	35W green aluminium reflector ✕	BX	9318416074920	1	10	200
MAFXNRPB	35W red aluminium reflector	BX	9318416074937	1	10	200
MAFXNYPB	35W yellow aluminium reflector	BX	9318416074944	1	10	200
MAFXTRBB	35W blue/red/yellow	BX	9318416074951	1	10	200
MAFXTRBG	35W blue/red/green	BX	9318416074968	1	10	200
MAFXTRBR	35W blue/red/yellow	BX	9318416074975	1	10	200
Tungsten halogen R75 - Nelson						
MQ1LC	100W J type clear linear	BX	9318416066413	1	50	500
MQ01SUW	100W J type blue linear ✕	BX	9318416060374	1	20	200
MQ015SUW	150W J type blue linear ✕	BX	9318416060381	1	20	200
MQ01SDP	150W J type clear linear twin pack	BX	9318416069186	1	20	120
MQ03UW	300W J type blue linear ✕	BX	9318416056728	1	20	200
MQ05C	500W J type clear linear	BX	9318416067182	1	50	500
MQ05DP	500W J type clear linear twin pack	BX	9318416070229	1	20	120
MQ05C6P	500W J type clear linear 6 pack	BX	9318416074470	1	20	80
MQ05UW	500W J type blue linear ✕	BX	9318416056735	1	20	200
Halogen PAR20 - Nelson						
MP2050	50W E27	BX	9318416057251	1	-	100



Energy Saving products



More info available. See technical pages



Coming soon



Product to be discontinued



Product only available in New Zealand

CS = Clam Shell, BL = Blister pack, BX = Box, SL = Sleeve, HSL = Hang sell sleeve, HBG = Hang sell bag, HBX = Hang sell box, TG = Tag. For more details on packaging see page 4.

Lighting and sensors

Incandescent globes



MP3880



MXR6340ES



MXR8060ES

Cat.Nos		Pack	Barcode	Single qty	Inner qty	Outer qty
Incandescent E27 mushroom lamps - Nelson						
MXMUSHR60F	60W E27	BX	9318416072544	1	-	100
Incandescent PAR38 - Nelson						
MP3880	80W E27	BX	9318416012052	1	-	24
MP38120	120W E27	BX	9318416012045	1	-	24
MP38	150W E27	BX	9318416011017	1	-	24
Incandescent pilot lamps - Nelson						
MXUP25BCC	25W B22 clear	CS	9318416064105	1	-	50
MXUP25ESC	25W E27 clear	CS	9318416064112	1	-	50
MXUP25SESC	25W E14 clear	BX	9318416064136	1	5	50
Incandescent R63 - Nelson						
MXR6340ES	40W E27 clear	BX	9318416022228	1	-	100
MXR6360ES	60W E27 clear	BX	9318416022211	1	-	48
Incandescent R80 lamps - Nelson						
MXR80100ES	100W E27 clear	BX	9318416022594	1	-	100
MXR8060ES	60W E27 clear	BX	9318416022556	1	-	120
MXR8075ES	75W E27 clear	BX	9318416022570	1	-	50
HL100R80ES	100W R80 ES reflector	BX	9415733011819	1	-	-

Lighting and sensors

Fluorescent and halogen accessories



CD380



DF40



366LYWE



MTECOUGAR60



MTETRADE65

Cat.Nos	Fluorescent accessories	Pack	Barcode	Single qty	Inner qty	Outer qty
Fluorescent lampholders						
CD380	White fluorescent tombstone screwed terminals 40 pack	HSB	9321001270959	1	10	10
388	White fluorescent tombstone w spring clips snap-lock term. 40 pack	BX	9321001015123	1	40	680
381	White fluorescent tombstone snap lock terminals 40 pack	BX	9321001014980	1	40	680
Starter sockets						
390	White fluorescent 7/32 diagonal holes screwed term. 40 pack	BX	9321001015758	1	40	960
Starters						
DF40	White fluorescent 4W to 65W for twin series circuit twin pack	BL	9310539635507	1	10	400
DF20	White universal 4W to 22W for twin fittings twin pack	BX	9310539635408	1	10	400
Battenholders						
Adjustable						
360WE	White B22 adjust. angle 64mm base 50mm mounting centre	PL	9321001013549	1	10	200
D360WE	White B22 adjust. angle 64mm base 50mm mounting centre	NZ PL	9310539250007	1	5	120
360/W1WE	White B22 adjust. angle 64mm base 50mm mounting centre WP	PL	9321001013488	1	5	100
Fixed						
366LYWE	White B22 separate anch. plugs 68mm base 50mm mounting centre	PL	9321001013884	1	10	200
366YWE	White B22 integrated anch plugs 68mm base 50mm mounting centre	PL	9321001014034	1	10	200
366WE	White B22 68mm base 50mm mounting centre	PL	9321001013976	1	10	200
366BL	Black B22 68mm base 50mm mounting centre	NZ PL	9321001013693	1	10	200
CD366SWE	Safety White B22 68mm base 50mm mounting centre	NZ PL	9321001270928	1	5	120
CD366WE	White B22 68mm base 50mm mounting centre	NZ PL	9321001270935	1	5	120
366BR	Brown B22 68mm base 50mm mounting centre	PL	9321001013723	1	10	200
Halogen accessories						
WMALCIT	Installation tool for MR16 and GU10 lamps	CS	9318416063085	1	-	40
MAGX5R5P	Leads screw in MR16 5 pack	BL	9318416001308	1	20	200
MAGX5P5P	Leads push in MR16 5 pack	BL	9318416001315	1	20	200
MAGXHT5P	Leads push in hot temperature MR16 5 pack	CS	9318416070397	1	20	200
MTECOUGAR60	60W electronic transformer	HBX	9318416063641	1	-	100
MTECOUG60T	60W electronic transformer 10 pack	BX	9318416074630	10	-	100
MTECOUGAR60P	60W electronic transformer flex & plug	BX	9318416067199	1	-	50
MTETRADE65	65W electronic transformer	BX	9318416060961	1	-	50
CD9WE	Bayonet cap adaptor	NZ BX	9310539220000	1	10	400

Lighting and sensors

Lighting accessories



CD333WE



CD310WE



D332WE



D9500WE



D1001/1

Cat.Nos		Pack	Barcode	Single qty	Inner qty	Outer qty
	Lampholders					
	BC with cord grip					
CD333WE	White BC 4 terminals	HBG	9321001376941	1	10	200
333BL	Black BC 4 terminals	BX	9321001011903	1	10	500
	Festoon lampholder					
WS303/1F	Black fanged screw-on cap with WP skirt 50mm mounting centre	BX	9321001206132	1	10	200
D303F	Black fanged screw-on cap with WP skirt 50mm mounting centre	BL	9310539264011			
	Lampholder skirts					
CD333SKWE	White BC with cord grip long skirt weatherproof	BX	9321001270904	1	10	200
CD310WE	White 2P pushbar sw. 1/2" brass thread w nipple top entry		9321001270898	1	10	200
310/10WE	White double pole pushbar switch 10mm thread top entry	BX	9321001010692	1	10	200
	Tapered cap					
359/10WE	White 10mm thread top cable entry	PL	9321001013013	1	10	500
D332WE	White safety	BL	9310539265506	1	10	200
D359WE	White 1/2" brass thread nipple top entry 4 term.	BL	9310539263304	1	10	200
	Lamp shade					
D9500WE	Canopy light plug-in w safety lampholder 0.5m lead white	BL	9310539275604	1	5	30
361LS	Coolie lamp shade white	NZ BL	9415733009601	1	10	50
	Night light					
D1001/1	Plug-in green moonglow white	CS	9321001150237	1	5	60
	Ceiling roses					
	Latching cover					
80WE	White 68mm mounting base 4 terminals	PL	9321001053750	1	10	200
	Screw on cover					
84WE	White 65mm base 4 plates 2 post per plate	PL	9321001053972	1	10	200
CD84WE	Ceiling rose, screw on cover 10A 250V a.c. white	NZ PL	9321001271208	1	10	200

Lighting and sensors

Garden lighting



RGLSSP2



RGLSPBL1



GLLEDPLBL



RGLBW2



RGL1215

Cat.Nos	Garden lighting 12V a.c.	Pack	Barcode	Single qty	Inner qty	Outer qty
Spotlights						
GLLEDSLSS	1W spotlight LED stainless steel	BX	9321001436584	1	3	36
GLLEDSLBL	1W spotlight LED black	BX	9321001436591	1	-	20
GL20WSLSS	20W spotlight halogen stainless steel	BX	9321001436607	1	3	12
GL20WMSLBL	20W spotlight halogen black	BX	9321001436614	1	-	40
RGLLSP1M2	LV spotlight in black plastic LED	BX	9321001417705	1	1	16
Mini Spotlights						
RGLKVSPBL4	5W spotlight halogen polyp. black square inc. transf and cable 4 pack	BX	9321001413578	1	-	6
RGLVSPBL	5W spotlight halogen weatherproof polypropylene black	HBG	9321001413547	1	10	20
RGLKSSM4	10W mini spotlight halogen aluminium IP67 inc. transf and cable 4 pack	BX	9321001244318	1	-	4
RGLSSP2	10W mini spotlight halogen cast aluminium casing satin silver	BX	9321001219156	1	-	6
RGLVSBL	10W mini spotlight halogen metal construction black	BX	9321001413509	1	-	6
RGLKMBL4	10W spotlight halogen metal black inc. transf and cable 4 pack	BX	9321001413523	1	-	4
RGLAPSP2	20W mini spotlight halogen aluminium and glass casing brushed silver	BX	9321001273035	1	-	6
RGL21	20W spotlight halogen cast aluminium casing black	BX	9321001190233	1	-	4
Submersible						
RGLSPBL1	1W submersible spotlight LED aluminium casing black IP68 glass diffuser	BX	9321001283256	1	-	6
RGLSPS1	1W submersible spotlight LED aluminium casing satin silver IP68 glass diffuser	BX	9321001283263	1	-	6
Pond Lights						
GLLEDPLBL	1W LED black	BX	9321001436546	1	-	40
GLLEDPLSS	1W LED stainless steel adjust angle 90°-180°	BX	9321001436553	1	-	24
GL20WMPLBL4P	20W halogen 20W black 4 pack	BX	9321001436522	1	-	4
GL20WMPLBL	20W halogen black	BX	9321001436539	1	-	20
GL20WMPLGR	20W halogen green	BX	9321001444558	1	-	20
GL35WPLBL	35W halogen black	BX	9321001436577	1	-	20
GL35WPLBLH	35W halogen black with hood	BX	9321001444572	1	-	20
GL35WPLSS	35W halogen stainless steel	BX	9321001436560	1	-	10
Bollards and path lights						
RGLBW2	0.5W path light LED aluminium casing black frosted glass	BX	9321001393078	1	-	16
RGLSLMW4P	0.8W bollards LED stainless steel body IP67 silver 4 pack	BX	9321001413400	1	-	8
RGLVPLB	5W pathlight halogen weatherproof polypropylene IP67 black	BX	9321001413424	1	10	20
RGL1215	8W bollard LED stainless steel 304 construction silver	BX	9321001413615	1	-	6
RGL3BL2P	10W T-dome uplights halogen metal body black twin pack	BX	9321001413486	1	-	6
RGL22	10W pathlight halogen aluminium casing black solid glass diffuser	BX	9321001190240	1	-	4
RGL1	20W bollard walklight halogen aluminium & glass body verdigris	BX	9321001156420	1	-	4
MGLSSBOL01	Slimline bollard s/steel bi-pin	BX	9318416066116	1	-	4

New product

Energy Saving products

More info available. See technical pages

Coming soon

Product to be discontinued

Product only available in New Zealand

CS = Clam Shell, BL = Blister pack, BX = Box, SL = Sleeve, HSL = Hang sell sleeve, HBG = Hang sell bag, HBX = Hang sell box, TG = Tag. For more details on packaging see page 4.

Lighting and sensors

Garden lighting



RGLSUP38



RGLSED2P



RGLPCTAW20



RGLTR220



RGL10



DSLBAT4

Cat.Nos	Garden lighting 12V a.c.	Pack	Barcode	Single qty	Inner qty	Outer qty
Uplights						
RGLSUP38	20W halogen aluminium body satin silver IP67	BX	9321001201366	1	-	4
Deck and step lights						
RGLKRSLD24	0.3W deck light LED stainless silver IP67 4 pack	BX	9321001277798	1	6	24
RGLKRSLD4	0.3W deck light LED stainless silver kit 4 lights, transf, cable	BX	9321001273080	1	-	6
RGLKRSLDBL4	0.3W deck light LED stainless steel & plastic silver 4 pack	BX	9321001283171	1	6	24
RGLSSLD2	0.8W deck&wall light LED aluminium stainless steel twin pack	BX	9321001283287	1	6	24
RGLSED2P	10W deck light halogen WP alloy body satin silver twin pack	BX	9321001413455	1	4	16
RGLOSLD1	1W deck & wall light LED aluminium stainless steel frosted glass	BX	9321001283270	1	6	24
Wall lights						
RGLSSW1	0.5W wall light LED aluminium casing satin silver		9321001283249	1	6	24
Transformers						
RGLPCTAW20	10VA black with 12m narrow cable	BX	9321001370710	1	-	6
RGLTR60	60VA self reset therm. overload black IP56	BX	9321001200772	1	-	8
RGLTR105	105VA self reset therm. overload black IP56	BX	9321001200789	1	-	6
RGL11	150VA self reset therm. overload black IP56	BX	9321001163015	1	-	6
RGLTR220	220VA self reset therm. overload black IP56	BX	9321001200796	1	-	4
RGLTR400	400VA self reset therm. overload prot. black IP64	BX	9321001410454	1	-	2
Cable						
CDGLCC4	Cable connector PK4 12V a.c.	NZ SL	9321001385691	1	10	240
RGL8	10m garden cable garden duty black	SL	9321001157168	1	5	20
RGL9	20m garden cable garden duty black	SL	9321001157175	1	5	20
RGLHSC15	15m garden cable standard duty for haloscape black	HSB	9321001259503	1	10	20
RGLCL21/30	30m garden cable extra heavy duty black 2 core 2.08mm	SL	9321001219286	1	-	5
RGLCL33/30	30m garden cable extra heavy duty black 2 core 3.3mm	SL	9321001227915	1	-	5
Timers and sensors						
DGLS150	150W dusk to dawn sensor halogen UV resist plastic IP44 black	BL	9321001201380	1	6	36
RGL10	200W sunset timer automatic UV resistant plastic black	BX	9321001163039	1	-	5
Lamp replacements						
DGLWLED	Replacement globe LED 0.5W 12V a.c. glass transparent twin pack	BL	9321001283294	1	8	32
Solar garden lighting						
Accessories						
DSLBAT4	Solar rechargeable batteries AA NiCd 600mAh yellow 4 pack	BX	9321001256748	1	20	80
DGLHS1	5W halogen globe	BX	9321001248750	1	20	80

Lighting and sensors

Motion sensors



630R02WE



630/5



630/3



630/3AB



630/9-3W

Cat.Nos	Flush mount sensor		Pack	Barcode	Single qty	Inner qty	Outer qty
630R02WE	PIR white IP41 ceiling 1000W auto 360° scan 8m range		BX	9321001456803	1	-	24
IP44 Sensors							
630/3	PIR white IP44 wall 1200W manual override 180° scan 12m range		BX	9310539618500	1	-	40
630/3A	PIR white IP44 wall 1200W auto 180° scan 12m range		BX	9310539016412	1	5	40
630/3ABL	PIR black IP44 wall 1200W auto 180° scan 12m range		BX	9310539016412	1	5	40
630/5	PIR white ceiling 1200W 360° scan 12m range		BX	9310539003405	1	-	60
IP44 Sensors - Nelson							
MPES34	PIR white IP44 wall 1100W manual override 180° scan 12m range		BX	9318416013011	1	-	40
MPES34B	PIR black IP44 wall 1100W manual override 180° scan 12m range		HBX	9318416000943	1	-	50
IP66 Sensors							
630/9-2W	PIR 2-wire white IP66 wall 1200W 110° scan 18m range		BX	9321001272410	1	-	20
630/9-3W	PIR 3-wire white IP66 wall 2400W 110° scan 18m range		BX	9321001272427	1	-	20
IP66 Sensors - Nelson							
MPES66-3W	PIR 3-wire white IP66 wall 2400W 110° scan 18m range		BX	9318416067458	1	-	20



SWITCHES & SOCKETS

Switches & sockets



P. 55
Arteor
switches



P. 59
Linea switches



P. 63
Excel
switches



P. 69
Standard
switches

Weatherproof switches & sockets



P. 72
Aqua
switches

FEATURED PRODUCTS



Arteor
(P. 55)



Linea
(P. 59)



Excel
(P. 63)



P. 55
Arteor
powerpoints



P. 56
Arteor
mechanisms



P. 57
Arteor
grids & coverplates



P. 60
Linea powerpoints



P. 60
Linea phone,
TV & data sockets



P. 61
Linea grids
& plates



P. 62
Linea
coverplates



P. 64
Excel
powerpoints



P. 65
Excel phone,
TV & data sockets



P. 66
Excel grids
& plates



P. 67
Mechanisms
for Excel, Linea
and Standard



P. 70
Standard
powerpoints



P. 71
Standard phone,
TV/AV sockets



P. 72
Aqua
powerpoints



Standard
(P. 69)



USB Chargers
(P. 68)

Switches & sockets solutions



ARTEOR DETAILS COUNT

We want you to enjoy a little luxury everyday and flaunt your enviable style. We've scoured the globe to bring you a range of exclusive materials to add that "finishing touch" – transforming the boring to breathtaking. Arteor is a testament to your impeccable eye for detail.



LINEA EXPRESS YOURSELF WITH COLOUR

Colour made a comeback in the 00s, and everything was about streamlining, harmonising, de-chunkifying design. So skinny minny Linea was conceived. With a slimmer profile than the traditional switch plate it blends into walls. And with a choice of bright, bombastic hues, or earthy neutrals, switches & sockets got a bit more fun.



EXCEL THE CLASSIC ALL-ROUNDER

The 80s brought us cassette tapes, hyper-colour, WHAM, shoulder pads, Miami Vice, big hair and the best-selling Excel range of switches & sockets. It was the first range on the market with removable snap-on, snap-off coverplates which made painting easier and allowed people to mix and match coverplate colours according to decor. Cassette tapes are long gone, hair spray sales have plummeted, but Excel has prevailed. Classic design endures.



AQUA POWERING-UP THE GREAT OUTDOORS

With backyard BBQ areas and patios becoming full scale, decked-out culinary adventure zones, outdoor power has never been in such demand. Add our penchant for pools, spas and air-conditioning, and you'll recognise the need for weatherproof switches & sockets that can handle our great outdoors without cracking under the pressure. Aqua answers this call.



*HPM manufacture over 4,500 products in its factory in Prestons, NSW.

Arteor

Functions to be installed with Arteor coverplates



CDAR770/1WE



CDAR770/2MGN



CDAR777WE



CDAR777MGN



CDAR777XMGN



CDAR777AWE

Cat.Nos		Pack	Barcode	Single qty	Inner qty	Outer qty
Vertical switches and dimmers						
Rocker switches - Single Pole Double Throw (SPDT)						
CDAR770/1WE	Switch 1 gang 2 way 16A 240V a.c. white	BX	9321001397229	1	5	80
CDAR770/1MGN	Switch 1 gang 2 way 16A 240V a.c. magnesium	BX	9321001397267	1	5	80
CDAR770/2WE	Switch 2 gang 2 way 16A 240V a.c. white	BX	9321001397236	1	5	80
CDAR770/2MGN	Switch 2 gang 2 way 16A 240V a.c. magnesium	BX	9321001397274	1	5	80
CDAR770/3WE	Switch 3 gang 2 way 16A 240V a.c. white	BX	9321001397243	1	5	80
CDAR770/3MGN	Switch 3 gang 2 way 16A 240V a.c. magnesium	BX	9321001397281	1	5	80
CDAR770/4WE	Switch 4 gang 2 way 16A 240V a.c. white	BX	9321001397250	1	5	80
CDAR770/4MGN	Switch 4 gang 2 way 16A 240V a.c. magnesium	BX	9321001397298	1	5	80
Push-button switches						
CDAR870/1WE	Switch push-button 1 gang 10A 250V a.c. white	BX	9321001430186	1	5	-
CDAR870/1MGN	Switch push-button 1 gang 10A 250V a.c. magnesium	BX	9321001430179	1	5	-
Electronic push-button switches						
CDAR883/1WE	Push-button electronic switch 10A 250V a.c. white	BX	9321001430209	1	5	-
Dimmer push-button						
CDAR450PWE	Dimmer push-button 1 gang 2 wire 450VA 240V a.c. white	BX	9321001430308	1	5	-
CDAR450PMGN	Dimmer push-button 1 gang 2 wire 450VA 240V a.c. magnesium	BX	9321001430292	1	5	-
Engraved switch plates						
CDAR770/3FLHWE	Switch 3 gang 16A 240V a.c. engraved "Light/Fan/Switch" white	BX	9321001430223	1	5	-
Phone, TV, data and AV sockets						
Data outlet						
CDAR770/1RJ5EWE	RJ45 outlet Cat 5e 1 gang white	BX	9321001430315	1	5	-
Horizontal powerpoints						
Double powerpoints						
CDAR777WE	Powerpoint 2 gang 10A 240V a.c. white	BX	9321001397182	1	5	80
CDAR777MGN	Powerpoint 2 gang 10A 240V a.c. magnesium	BX	9321001397199	1	5	80
CDAR777XWE	Powerpoint 2 gang 10A 240V a.c. with extra switch white	BX	9321001430339	1	5	80
CDAR777XMGN	Powerpoint 2 gang 10A 240V a.c. with extra switch magnesium	BX	9321001430322	1	5	80
CDAR777AWE	Powerpoint 2 gang 10A 240V a.c. autoswitch white	BX	9321001397205	1	5	80
CDAR777AMGN	Powerpoint 2 gang 10A 240V a.c. autoswitch magnesium	BX	9321001397212	1	5	80

Arteor

Mechanisms to be installed in Arteor grids



CDAR770MWE



CDAR870MWE



CDAR883MMGN



CDAR450PMWE



RAR770USB2PSMWE

Cat.Nos	Switch mechanisms	Pack	Barcode	Single qty	Inner qty	Outer qty
	Rocker mechanisms					
CDAR770MWE	Switch mech. 2 way 16A 250V a.c. white	BX	9321001397380	1	5	100
CDAR770MMGN	Switch mech. 2 way 16A 250V a.c. magnesium	BX	9321001397397	1	5	100
	Push-button mechanisms					
CDAR870MWE	Switch mech. push-button 2 way 10A 250V a.c. white	BX	9321001397403	1	5	100
CDAR870MMGN	Switch mech. push-button 2 way 10A 250V a.c. magnesium	BX	9321001397410	1	5	100
CDAR883MWE	Electronic push-button 5A 250V a.c. white	BX	9321001397427	1	5	100
CDAR883MMGN	Electronic push-button 5A 250V a.c. magnesium	BX	9321001397434	1	5	100
	Push-button dimmer mechanisms					
	2 wire					
CDAR450PMWE	Dimmer mech. push-button 2 wire 450VA 240V a.c. white	BX	9321001397441	1	5	100
CDAR450PMMGN	Dimmer mech. push-button 2 wire 450VA 240V a.c. magnesium	BX	9321001397458	1	5	100
	USB charger mechanisms					
	For plasterboard or single brick installations					
RAR770USB2PSMWE	Dual USB charger mech. 2x2.4A 250V a.c. White	HBG	9321001454328	1	5	60
RAR770USB2PSMMG	Dual USB charger mech. 2x2.4A 250V a.c. Magnesium	HBG	9321001454335	1	5	60

WHY HPM USB?

2 x 2.4A sockets for faster charging

Charge 2 x smartphones or 2 x tablets or MP3/4 players simultaneously at the maximum charging speed

Perfect for kitchens, bedrooms, offices and more

Arteor

Grids



CDAR770/1GOWE



CDAR770/2GOMGN



CDAR770/3GOWE



CDAR770/4GOMGN

Cat.Nos	Grids	Pack	Barcode	Single qty	Inner qty	Outer qty
CDAR770/1GOWE	Grid 1 gang white	BX	9321001397304	1	5	80
CDAR770/1GOMGN	Grid 1 gang magnesium	BX	9321001397311	1	5	80
CDAR770/2GOWE	Grid 2 gang white	BX	9321001397328	1	5	80
CDAR770/2GOMGN	Grid 2 gang magnesium	BX	9321001397335	1	5	80
CDAR770/3GOWE	Grid 3 gang white	BX	9321001397342	1	5	80
CDAR770/3GOMGN	Grid 3 gang magnesium	BX	9321001397359	1	5	80
CDAR770/4GOWE	Grid 4 gang white	BX	9321001397366	1	5	80
CDAR770/4GOMGN	Grid 4 gang magnesium	BX	9321001397373	1	5	80

How to order Arteor



Select a function
in white or magnesium
(p.55)

+



Select a
coverplate
(p.58)

=



Complete
product!

or



Choose the mechanism
in white or magnesium
(p.56)

+



Select the grid
in white or magnesium
(p.57)

+



Select a
coverplate
(p.58)

=



Complete
product!

New product

Energy Saving products

More info available.
See technical pages

Coming soon

Product to be discontinued

Product only available
in New Zealand

CS = Clam Shell, BL = Blister pack, BX = Box, SL = Sleeve, HSL = Hang sell sleeve, HBG = Hang sell bag, HBX = Hang sell box, TG = Tag. For more details on packaging see page 4.

Arteor

Coverplates for Arteor functions, grids and mechanisms



CD575430



CD575431



CD575432



CD575434



CD575433



CD575436

Cat.Nos	Coverplates	Pack	Barcode	Single qty	Inner qty	Outer qty
CD575430	Coverplate Arteor white	BX	9321001397069	1	5	50
CD575431	Coverplate Arteor pearl aluminium	BX	9321001397076	1	5	50
CD575432	Coverplate Arteor graphite	BX	9321001397083	1	5	50
CD576478	Coverplate Arteor tattoo	BX	9321001397090	1	5	50
CD575434	Coverplate Arteor mirror white	BX	9321001397120	1	5	50
CD575433	Coverplate Arteor mirror black	BX	9321001397137	1	5	50
CD576476	Coverplate Arteor mirror red	BX	9321001397144	1	5	50
CD576475	Coverplate Arteor mirror taupe	BX	9321001397151	1	5	50
CD575436	Coverplate Arteor stainless steel	BX	9321001397168	1	5	50
CD576470	Coverplate Arteor gold brass	BX	9321001397175	1	5	50
CD576471	Coverplate Arteor casual	BX	9321001397106	1	5	50
CD576472	Coverplate Arteor formal	BX	9321001397113	1	5	50
CD575435	Coverplate Arteor wenge wood	BX	9321001430346	1	5	-
CD576479	Coverplate Arteor oak	BX	9321001430353	1	5	-

Linea

Switches – complete product (includes mechanism, grid and plate)



CDLN770/1WEWE



CDLN770/2WEWE



CDLN770/3BLBL



CDLNA770/1WEWE

Cat.Nos	Vertical switches	Pack	Barcode	Single qty	Inner qty	Outer qty
	Rocker switches - Single Pole Double Throw (SPDT)					
CDLN770/1WEWE	Switch 1 gang 2 way 240V a.c. white	HBG	9321001393825	1	5	60
CDLN770/1WEMS	Switch 1 gang 2 way 240V a.c. white/matt silver	HBG	9321001393900	1	5	60
CDLN770/1BLBL	Switch 1 gang 2 way 240V a.c. black	HBG	9321001394082	1	5	60
CDLN770/1BLGL	Switch 1 gang 2 way 240V a.c. black/grey	HBG	9321001393894	1	5	60
CDLN770/2WEWE	Switch 2 gang 2 way 240V a.c. white	HBG	9321001393832	1	5	60
CDLN770/2WEMS	Switch 2 gang 2 way 240V a.c. white/matt silver	HBG	9321001393924	1	5	60
CDLN770/2BLBL	Switch 2 gang 2 way 240V a.c. black	HBG	9321001394105	1	5	60
CDLN770/2BLGL	Switch 2 gang 2 way 240V a.c. black/grey	HBG	9321001393917	1	5	60
CDLN770/3WEWE	Switch 3 gang 2 way 240V a.c. white	HBG	9321001393849	1	5	60
CDLN770/3BLBL	Switch 3 gang 2 way 240V a.c. black	HBG	9321001394129	1	5	60
	Architrave					
	Rocker switches - Single Pole Double Throw (SPDT)					
CDLNA770/1WEWE	Architrave switch 1 gang 2 way 10A 240V a.c. white	HBG	9321001393801	1	5	60
CDLNA770/2WEWE	Architrave switch 2 gang 2 way 10A 240V a.c. white	HBG	9321001393818	1	5	60

Linea

Powerpoints, phone, TV and data sockets – complete product (includes mechanism, grid and plate)



CDLN777WEWE



CDLN777BLBL



CDLN777BLGL



CDLN777XWEMS



CDLN777AWEWE



CDLN770/1RJ2WE

Cat.Nos		Pack	Barcode	Single qty	Inner qty	Outer qty
Horizontal powerpoints						
Single powerpoints						
CDLN787BLBL	Powerpoint 1 gang 10A 240V a.c. black	HBG	9321001394167	1	5	60
CDLN787WEWE	Powerpoint 1 gang 10A 240V a.c. white	HBG	9321001394150	1	5	60
Double powerpoints						
CDLN777WEWE	Powerpoint 2 gang 10A 240V a.c. white	HBG	9321001393856	1	5	60
CDLN777WEMS	Powerpoint 2 gang 10A 240V a.c. white/matt silver	HBG	9321001393948	1	5	60
CDLN777BLBL	Powerpoint 2 gang 10A 240V a.c. black	HBG	9321001394181	1	5	60
CDLN777BLGL	Powerpoint 2 gang 10A 240V a.c. black/silver	HBG	9321001393931	1	5	60
CDLN777XWEWE	Powerpoint 2 gang 10A 240V a.c. with extra switch white	HBG	9321001393870	1	5	60
CDLN777XWEMS	Powerpoint 2 gang 10A 240V a.c. with extra switch white/silver	HBG	9321001393962	1	5	60
CDLN777XBLBL	Powerpoint 2 gang 10A 240V a.c. with extra switch black	HBG	9321001394204	1	5	60
CDLN777XBLGL	Powerpoint 2 gang 10A 240V a.c. with extra switch black/silver	HBG	9321001393955	1	5	60
CDLN777AWEWE	Powerpoint 2 gang 10A 240V a.c. autoswitch white	HBG	9321001393863	1	5	60
Phone and data sockets						
CDLN770/1RJ2WE	Data outlet RJ45 1 gang Cat5e white	HBG	9321001393887	1	5	60

Linea

Grid & Plates and coverplates



CDLN770/1GPLWE



CDLN770/2GPLWE



CDLN770/1PLWE



CDLN770/1PLMS



CDLN770/1PLAS



CDLN770/2PLAU

Cat.Nos	Grid & plates	Pack	Barcode	Single qty	Inner qty	Outer qty
Grid & plates only (to be used with mechs in p.67)						
CDLN770/1GPLWE	Grid & plate 1 gang white	HBG	9321001397014	1	5	60
CDLN770/2GPLWE	Grid & plate 2 gang white	HBG	9321001397021	1	5	60
Coverplates						
Coverplates - 1 gang (to update existing Linea coverplates)						
CDLN770/1PLWE	Coverplate 1 gang white	HBG	9321001396994	1	5	60
CDLN770/1PLBL	Coverplate 1 gang black	HBG	9321001397007	1	5	60
CDLN770/1PLMS	Coverplate 1 gang matt silver	HBG	9321001293750	1	5	60
CDLN770/1PLAS	Coverplate 1 gang asphalt	HBG	9321001396697	1	5	60
CDLN770/1PLGL	Coverplate 1 gang gun metal	HBG	9321001394259	1	5	60
CDLN770/1PLOL	Coverplate 1 gang 5 o'clock olive	HBG	9321001396857	1	5	60
CDLN770/1PLKH	Coverplate 1 gang 5 ninja khaki	HBG	9321001394273	1	5	60
CDLN770/1PLYE	Coverplate 1 gang sunshine	HBG	9321001396840	1	5	60
CDLN770/1PLPI	Coverplate 1 gang bubblegum	HBG	9321001396758	1	5	60
CDLN770/1PLSB	Coverplate 1 gang cheeky boy blue	HBG	9321001396741	1	5	60
CDLN770/1PLAU	Coverplate 1 gang abracadabra	HBG	9321001396949	1	5	60
Coverplates - 2 gang						
CDLN770/2PLWE	Coverplate 2 gang white	HBG	9321001397038	1	5	60
CDLN770/2PLBL	Coverplate 2 gang black	HBG	9321001397045	1	5	60
CDLN770/2PLMS	Coverplate 2 gang matt silver	HBG	9321001293767	1	5	60
CDLN770/2PLAS	Coverplate 2 gang asphalt	HBG	9321001396703	1	5	60
CDLN770/2PLGL	Coverplate 2 gang gun metal	HBG	9321001394297	1	5	60
CDLN770/2PLOL	Coverplate 2 gang 5 o'clock olive	HBG	9321001396871	1	5	60
CDLN770/2PLKH	Coverplate 2 gang 5 ninja khaki	HBG	9321001394310	1	5	60
CDLN770/2PLYE	Coverplate 2 gang sunshine	HBG	9321001396864	1	5	60
CDLN770/2PLPI	Coverplate 2 gang bubblegum	HBG	9321001396772	1	5	60
CDLN770/2PLSB	Coverplate 2 gang cheeky boy blue	HBG	9321001396765	1	5	60
CDLN770/2PLAU	Coverplate 2 gang abracadabra	HBG	9321001396956	1	5	60

New product

Energy Saving products

More info available. See technical pages

Coming soon

Product to be discontinued

Product only available in New Zealand

CS = Clam Shell, BL = Blister pack, BX = Box, SL = Sleeve, HSL = Hang sell sleeve, HBG = Hang sell bag, HBX = Hang sell box, TG = Tag. For more details on packaging see page 4.



CDLN770/2PLGL



CDLN770/3PLOL



CDLN777PLKH



CDLN777PLYE



CDLN777XPLPI



CDLN777XPLSB

Cat.Nos		Pack	Barcode	Single qty	Inner qty	Outer qty
Coverplates - 3 gang						
CDLN770/3PLMS	Coverplate 3 gang matt silver	HBG	9321001293774	1	5	60
CDLN770/3PLAS	Coverplate 3 gang asphalt	HBG	9321001396710	1	5	60
CDLN770/2PLGL	Coverplate 3 gang gun metal	HBG	9321001394297	1	5	60
CDLN770/3PLOL	Coverplate 3 gang 5 o'clock olive	HBG	9321001396895	1	5	60
CDLN770/3PLKH	Coverplate 3 gang ninja khaki	HBG	9321001394358	1	5	60
CDLN770/3PLYE	Coverplate 3 gang sunshine	HBG	9321001396888	1	5	60
CDLN770/3PLPI	Coverplate 3 gang bubblegum	HBG	9321001396796	1	5	60
CDLN770/3PLSB	Coverplate 3 gang cheeky boy blue	HBG	9321001396789	1	5	60
CDLN770/3PLAU	Coverplate 3 gang abracadabra	HBG	9321001396963	1	5	60
Coverplates for double powerpoints						
CDLN777PLMS	Powerpoint coverplate 2 gang matt silver	HBG	9321001293699	1	5	60
CDLN777PLAS	Powerpoint coverplate 2 gang asphalt	HBG	9321001396727	1	5	60
CDLN777PLOL	Powerpoint coverplate 2 gang 5 o'clock olive	HBG	9321001396918	1	5	60
CDLN777PLKH	Powerpoint coverplate 2 gang ninja khaki	HBG	9321001394433	1	5	60
CDLN777PLYE	Powerpoint coverplate 2 gang sunshine	HBG	9321001396901	1	5	60
CDLN777PLPI	Powerpoint coverplate 2 gang bubblegum	HBG	9321001396819	1	5	60
CDLN777PLSB	Powerpoint coverplate 2 gang cheeky boy blue	HBG	9321001396802	1	5	60
CDLN777PLAU	Powerpoint coverplate 2 gang abracadabra	HBG	9321001396970	1	5	60
Coverplates for double powerpoints with extra hole						
CDLN777XPLMS	Powerpoint coverplate 2 gang with extra hole matt silver	HBG	9321001293705	1	5	60
CDLN777XPLAS	Powerpoint coverplate 2 gang with extra hole asphalt	HBG	9321001396734	1	5	60
CDLN777XPLOL	Powerpoint coverplate 2 gang with extra hole 5 o'clock olive	HBG	9321001396932	1	5	60
CDLN777XPLKH	Powerpoint coverplate 2 gang with extra hole ninja khaki	HBG	9321001394471	1	5	60
CDLN777XPLYE	Powerpoint coverplate 2 gang with extra hole sunshine	HBG	9321001396925	1	5	60
CDLN777XPLPI	Powerpoint coverplate 2 gang with extra hole bubblegum	HBG	9321001396833	1	5	60
CDLN777XPLSB	Powerpoint coverplate 2 gang with extra hole cheeky boy blue	HBG	9321001396826	1	5	60
CDLN777XPLAU	Powerpoint coverplate 2 gang with extra hole abracadabra	HBG	9321001396987	1	5	60

Excel

Switches and dimmers



CDXL770/1WEWE



CDXL300FWE



CDXL770/2BLBL



CDXL770/3FLHWE



CDXLA770/1WEWE



XL400LWE

Cat.Nos		Pack	Barcode	Single qty	Inner qty	Outer qty
Vertical switches						
Rocker switches - Single Pole Double Throw (SPDT)						
CDXL770/0WE	Switch 0 blank white	NZ HBG	9321001416210	1	10	120
CDXL770/1WEWE	Switch 1 gang 2 way 10A 240V a.c. white	HBG	9321001274568	1	10	130
CDXL770/1BLBL	Switch 1 gang 2 way 10A 240V a.c. black	HBG	9321001385875	1	10	130
CDXL770/2WEWE	Switch 2 gang 2 way 10A 240V a.c. white	HBG	9321001274575	1	10	130
CDXL770/2BLBL	Switch 2 gang 2 way 10A 240V a.c. black	HBG	9321001385905	1	10	130
CDXL770/3WEWE	Switch 3 gang 2 way 10A 240V a.c. white	HBG	9321001274582	1	10	130
CDXL770/3BLBL	Switch 3 gang 2 way 10A 240V a.c. black	NZ HBG	9321001385936	1	10	200
CDXL770/4WEWE	Switch 4 gang 2 way 10A 240V a.c. white	HBG	9321001393764	1	10	130
CDXL770/5WEWE	Switch 5 gang 2 way 10A 240V a.c. white	HBG	9321001393771	1	10	130
Rocker Switches 35A						
CDXL1036WE	Switch 1 gang 2 way 35A 240V a.c. white	NZ HBG	9321001416241	1	10	120
Rotary fan controllers						
CDXL300FWE	Fan controller 300VA white	HBG	9321001171423	1	5	120
Permanent connection unit						
CD770/2PCWE	Perm connection unit white	NZ HBG	9415733000592	1	10	100
Weatherproof switches - Single Pole Double Throw (SPDT)						
CDXLW770V1WE	Switch vertical 2 gang 2 way IP56 10A 240V a.c. white	HBG	9321001171546	1	5	120
Engraved switches - Single Pole Double Throw (SPDT)						
CDXL770/3FLHWE	Switch 3 gang 16A 240V a.c. engraved "Light/Fan/Switch" white	HBG	9321001437437	1	10	120
CDXL770/4FLHHWE	Switch 4 gang 16A 240V a.c. engraved "Light/Light/Fan/Switch" white	HBG	9321001437444	1	10	120
Architrave						
Rocker switches - Single Pole Double Throw (SPDT)						
CDXLA770/1WEWE	Architrave switch 1 gang 2 way 10A 240V a.c. white	BL	9321001271284	1	10	240
CDXLA770/2WEWE	Architrave switch 2 gang 2 way 10A 240V a.c. white	BL	9321001271291	1	10	240
CDXLA770/3WEWE	Architrave switch 3 gang 2 way 10A 240V a.c. white	BL	9321001274551	1	10	240
Rotary dimmers						
Leading edge						
XL250LWE	Rotary dimmer leading edge 2 wire 250VA 240V a.c. white	HBG	9321001284413	1	3	108
XL400LWE	Rotary dimmer leading edge 2 wire 400VA 240V a.c. white	HBG	9321001276517	1	3	108
Trailing edge						
XL250TWE	Rotary dimmer trailing edge 2 wire 250VA 240V a.c. white	BX	9321001284000	1	3	108
XL400TWE	Rotary dimmer trailing edge 2 wire 400VA 240V a.c. white	BX	9321001273851	1	3	108



New product



Energy Saving products



More info available. See technical pages



Coming soon



Product to be discontinued



Product only available in New Zealand

Excel

Powerpoints



CDXL787WEWE



CDXL777WEWE



CDXL777XWEWE



RXL777USB2PSWE



CDXL7774WEWE

Cat.Nos	Horizontal powerpoints	Pack	Barcode	Single qty	Inner qty	Outer qty
Single powerpoints						
CDXL787WEWE	Powerpoint 1 gang 10A 240V a.c. white	HBG	9321001274391	1	10	100
CDXL787BLMS	Powerpoint 1 gang 10A 240V a.c. black/matt silver	HBG	9321001274445	1	10	100
CDXL787XWEWE	Powerpoint 1 gang 10A 240V a.c. with extra switch white	HBG	9321001274414	1	10	100
Double powerpoints						
CDXL777WEWE	Powerpoint 2 gang 10A 240V a.c. white	HBG	9321001274407	1	10	120
CDXL777BLBL	Powerpoint 2 gang 10A 240V a.c. black	HBG	9321001386025	1	10	120
BUXL777WE	Powerpoint 2 gang 10A 240V a.c. white - pack of 10	BX	9321001407294	1	-	-
CDXL777XWEWE	Powerpoint 2 gang 10A 240V a.c. with extra switch white	HBG	9321001274421	1	10	130
CDXLP777ESWEWE	Powerpoint 2 gang 10A 240V a.c. with extra safety white	HBG	9321001389026	1	10	120
Double powerpoints with USB						
RXL777USB2PSWE	Powerpoint 2 gang 10A 240V a.c. with dual USB charger 2x2.4A white	BX	9321001435068	1	-	12
4 gang powerpoints						
CDXL7774WEWE	Powerpoint 4 gang 10A 240V a.c. white	HBG	9321001274438	1	5	30
RCD powerpoints						
CDXL777EL30	Powerpoint 10A 30mA RCD socket white	HBG	9310539042800	1	3	36

WHY HPM USB?

2 x 2.4A sockets for faster charging

Charge 2 x smartphones or 2 x tablets or MP3/4 players simultaneously at the maximum charging speed

Perfect for kitchens, bedrooms, offices and more

Excel

Powerpoints and phone, TV, data and AV sockets



CDXLV787WEWE



CDXLV777WEWE



CDXL770/1CXWE



CDXL770/1FOXWEW



CDXL770/1RJ2WEW

Cat.Nos		Pack	Barcode	Single qty	Inner qty	Outer qty
	Vertical powerpoints					
	Single powerpoints					
CDXLV787WEWE	Powerpoint 1 gang 10A 240V a.c. white	HBG	9321001376538	1	10	200
	Vertical single powerpoints					
CDXLV787BLBL	Powerpoint 1 gang 10A 240V a.c. black	NZ HBG	9321001385967	1	10	200
	Double powerpoints					
CDXLV777WEWE	Powerpoint 2 gang 10A 240V a.c. white	HBG	9321001376538	1	10	200
	Vertical double powerpoints					
CDXLV777BLBL	Powerpoint 2 gang 10A 240V a.c. Black	NZ HBG	9321001386056	1	10	200
CDXLV777WEWE	Powerpoint 2 gang 10A 240V a.c. white	NZ HBG	9321001376569	1	10	120
CDXLV777XWEWE	Powerpoint 2 gang 10A 240V a.c. with extra switch white	NZ HBG	9310539016405	1	10	100
	Phone, TV, data and AV sockets					
	TV outlets					
CDXL770/1CXWE	TV outlet coaxial 1 gang 75 Ohm white	HBG	9321001139522	1	10	200
CDXL770/1FOXWEW	TV outlet F type Pay TV white	HBG	9321001393795	1	10	120
	Data outlets					
CDXL770/1RJ2WEW	RJ45 outlet Cat5e 1 gang white	HBG	9321001393788	1	10	120

Excel

Coverplates



CDXL770/1PLWE



CDXL770/2PLPB



CDXL770/3PLMS



CDXL787PLWE



CDXL777PLWE



CDXL777XPLWE

Cat.Nos		Pack	Barcode	Single qty	Inner qty	Outer qty
Switch coverplates						
Switch coverplates – 1 gang						
CDXL770/1PLWE	Coverplate 1 gang white	HBG	9321001134664	1	10	400
CDXL770/1PLPB	Coverplate 1 gang polished brass	HBG	9321001134787	1	10	400
CDXL770/1PLMS	Coverplate 1 gang matt silver	HBG	9321001134794	1	10	400
CDXL770/1PLSS	Coverplate 1 gang stainless steel	HBG	9321001261124	1	10	400
Switch coverplates – 2 gang						
CDXL770/2PLWE	Coverplate 2 gang white	HBG	9321001134695	1	10	400
CDXL770/2PLPB	Coverplate 2 gang polished brass	HBG	9321001134817	1	10	400
CDXL770/2PLMS	Coverplate 2 gang matt silver	HBG	9321001134824	1	10	400
CDXL770/2PLSS	Coverplate 2 gang stainless steel	HBG	9321001261186	1	10	400
Switch coverplates – 3 gang						
CDXL770/3PLWE	Coverplate 3 gang gloss white	HBG	9321001431640	1	10	320
CDXL770/3PLMS	Coverplate 3 gang matt silver	HBG	9321001413103	1	10	400
Powerpoints coverplates						
Single powerpoint coverplates						
CDXL787PLWE	Powerpoint coverplate 1 gang white	HBG	9321001134725	1	10	400
CDXL787PLMS	Powerpoint coverplate 1 gang matt silver	HBG	9321001134855	1	10	400
CDXL787PLPB	Powerpoint coverplate 1 gang polished brass	HBG	9321001134848	1	10	400
CDXL787PLSS	Powerpoint coverplate 1 gang stainless steel	HBG	9321001261513	1	10	400
CDXLV787PLMS	Powerpoint vertical coverplate 1 gang matt silver	HBG	9321001394044	1	10	120
CDXLV787PLWE	Powerpoint vertical coverplate 1 gang white	HBG	9321001394068	1	10	120
Double powerpoints coverplates						
CDXL777PLWE	Powerpoint coverplate 2 gang white	HBG	9321001134756	1	10	400
CDXL777PLMS	Powerpoint coverplate 2 gang matt silver	HBG	9321001134886	1	10	400
CDXLV777PLWE	Powerpoint vertical coverplate 2 gang white	HBG	9321001394051	1	10	120
CDXLV777XPLMS	Powerpoint vertical coverplate 2 gang extra switch matt silver	HBG	9321001394037	1	10	120
CDXLV777PLMS	Powerpoint vertical coverplate 2 gang matt silver	HBG	9321001394020	1	10	120
CDXL777PLSS	Powerpoint coverplate 2 gang stainless steel	HBG	9321001261360	1	10	400
CDXL777PLPB	Powerpoint coverplate 2 gang polished brass	HBG	9321001134879	1	10	400
CDXL777XPLWE	Powerpoint coverplate 2 gang with extra switch white	HBG	9321001393382	1	10	400
CDXL777XPLMS	Powerpoint coverplate 2 gang with extra switch matt silver	HBG	9321001413073	1	10	400

Excel and Linea mechanisms

Switch and dimmer mechanisms



CD770MWE



D5MWE



CD300FMWE



DCS1

Cat.Nos		Pack	Barcode	Single qty	Inner qty	Outer qty
Rocker switch mechanisms - Single Pole Double Throw (SPDT)						
CD770MWE	Switch mech. 1 & 2 way 10A 240V a.c. white	BL	9321001271109	1	10	400
CD770MBL	Switch mech. 1 & 2 way 10A 240V a.c. black	BL	9321001397052	1	10	400
Cordline switches						
D5MWE	Cordline switch for 3-core or figure-8 wiring double pole 10A white	BL	9310539727202	1	10	300
D5MBL	Cordline switch for 3-core or figure-8 wiring double pole 10A black	BL	9321001062158	1	10	300
Cupboard door switch						
DCS1	Cupboard door switch lever type	BL	9415733001315	1	10	-
Dimmer mechanisms & fan controllers						
Dimmers						
CD400LMWE	Rotary dimmer leading edge 2 wire 400VA 240V a.c. white	HBG	9321001416302	1	20	120
CD400TMWE	Rotary dimmer trailing edge 2 wire 400VA 240V a.c. white	BX	9321001416333	1	20	120
CDLN450PWEWE	Rotatory dimmer leading edge 2 wire 450VA 240V a.c. white	HBG	9321001394136	1	4	60
Fan controllers						
CD300FMWE	Fan controller rotary 3 speed 300VA 240V a.c. white	BL	9321001416364	1	20	120
Knobs						
CDKNOB1WE	Dimmer & fan knob white	BL	9321001287490	1	10	240

Excel and Linea mechanisms and accessories

USB, phone, TV, data and AV sockets



R770USB2PSMWE



CD770CXMWE



CD1210S2



D1209/2.5



D420/1WE

Cat.Nos		Pack	Barcode	Single qty	Inner qty	Outer qty
	Dual USB charger mechanism					
	For plasterboard or single brick installations					
R770USB2PSMWE	USB charger mech. 2 x 2.4A 250V a.c. white	HBG	9321001454304	1	5	80
R770USB2PSMBL	USB charger mech. 2 x 2.4A 250V a.c. black	HBG	9321001454311	1	5	80
	TV mechanisms					
CD770CXMWE	F connector saddle socket female to PAL for HPM 770 grids white	HBG	9310539017181	1	10	400
D770CXFP	Coaxial female plug top 75 Ohm white	HBG	9310539821603	1	10	400
D770CXP	Coaxial TV plug top 75 Ohm white	HBG	9310539831008	1	10	160
D770CXPSE	Coaxial TV plug top 75 Ohm side entry white	HBG	9310539831206	1	10	400
CD1210S2	TV splitter 2 way saddle	HBG	9321001134411	1	5	120
CD1210S4	TV splitter 4 way saddle	HBG	9321001134428	1	5	120
CD1310FS	TV mechanism F type to PAL	HBG	9321001397472	1	10	100
D1209/2.5	Antenna cable 2.5 metre	HBG	9310539828404	1	10	80
R1209/10	Antenna cable 10 metre	HBG	9310539015446	1	5	50
D1210/2	TV splitter adaptor 2 way	HBG	9321001134442	1	10	240
D1211	TV coaxial plug joiner	HBG	9310539830001	1	10	400
D1214/1	TV to video fly lead	HBG	9310539828800	1	10	200
CDLN770/1CXWEWE	PAL to saddle TV outlet 1 gang white	HBG	9321001394211	1	5	60
	Phone mechanisms					
D420/11	Extension telephone lead 4m with 2 modular plugs white	HBG	9310539015675	1	10	40
D420/14	Telephone double adaptor plug white	HBG	9321001178866	1	10	200
D420/15	Telephone adaptor skirting mount modular standard white	HBG	9321001178903	1	10	-
D420/16	Double extension lead single to double modular plug with 5m lead white	HBG	9321001178873	1	10	-
CD420/18	Extension telephone lead 1 mtr white	HBG	9321001183617	1	10	200
D420/19	In-line modular adaptor/ cable joiner for tel&data white	HBG	9321001186816	1	10	-
D420/1WE	Telephone double adaptor standard to standard white	HBG	9310539015576	1	10	400
D420/2WE	Telephone double adaptor standard to modular white	HBG	9310539015583	1	10	400

Standard

Switches and dimmers



CD770/1WE



CD770/2WE



CD600WE



CD601WE



CD300FWE



CDA770/1WE

Cat.Nos	Vertical switches and dimmers	Pack	Barcode	Single qty	Inner qty	Outer qty
Rocker switches - Single Pole Double Throw (SPDT)						
CD770/1WE	Switch 1 gang 10A 240V a.c. white	HBG	9321001271062	1	10	200
CD770/2WE	Switch 2 gang 10A 240V a.c. white	HBG	9321001271079	1	10	200
CD770/3WE	Switch 3 gang 10A 240V a.c. white	HBG	9321001271086	1	10	200
CD770/4WE	Switch 4 gang 10A 240V a.c. white	HBG	9321001271093	1	10	200
Intermediate switch						
CDAL770/12WE	Switch intermediate 1 gang 10A 240V a.c. white	HBG	9321001271246	1	10	200
CDAL770/12HWSWE	Switch intermediate 1 gang 15A 240V a.c. "hws" white	NZ HBG	9321001416272	1	10	120
35A switches						
CDF1036/3WE	Switch 1 gang 35A with loop white	NZ HBG	9321001394013	1	10	120
Older style round switches						
CD65WE	Switch 1 gang 2 way 10A 240V a.c. old style round surface mount white	HBG	9321001271048	1	10	240
Cord-pull ceiling switches						
CD600WE	Ceiling switch cord-pull 1 gang 10A 240V a.c. rectangle white	HBG	9321001271031	1	5	120
CD601WE	Ceiling switch cord-pull 1 gang 10A 240V a.c. round white	HBG	9310539002804	1	5	100
Rotary dimmers						
CD200LWE	Rotary dimmer leading edge 2 wire 200VA 240V a.c. white	HBG	9321001389453	1	5	100
Fan controllers						
CD300FWE	Fan controller 300VA white	HBG	9321001171409	1	5	200
Architrave						
CDA770/1WE	Architrave switch 1 gang 2 way 10A 240V a.c. white	HBG	9321001271215	1	10	240
CDA770/2WE	Architrave switch 2 gang 2 way 10A 240V a.c. white	HBG	9321001271222	1	10	240
CDA770/3WE	Architrave switch 3 gang 2 way 10A 240V a.c. white	HBG	9321001271239	1	10	240

Standard

Powerpoints



CDV787WE



CD787WE



CD787XWE



CD790WE



CD787/15WE



CD777WE

Cat.Nos		Pack	Barcode	Single qty	Inner qty	Outer qty
Vertical powerpoints						
Single powerpoints						
CDV787WE	Powerpoint 1 gang 10A 240V a.c. white	HBG	9321001271260	1	10	200
Double powerpoints						
CDV777WE	Powerpoint 2 gang 10A 240V a.c. white	HBG	9321001271253	1	10	120
Horizontal powerpoints						
Single powerpoints						
CD787WE	Powerpoint 1 gang 10A 240V a.c. white	HBG	9321001271154	1	10	100
CD787XWE	Powerpoint 1 gang 10A 240V a.c. extra switch white	HBG	9321001271161	1	10	200
CD790WE	Powerpoint 1 gang 10A 240V a.c. narrow plate white	HBG	9321001271178	1	10	200
CD787/15WE	Powerpoint 1 gang 15A 240V a.c. white	HBG	9321001271147	1	10	100
Double powerpoints						
CD777WE	Powerpoint 2 gang 10A 240V a.c. white	BL	9321001271123	1	10	120
CD777XWE	Powerpoint 2 gang 10A 240V a.c. with extra switch white	BL	9321001271130	1	10	120
CD777/15WE	Powerpoint 2 gang 15A 240V a.c. white	BL	9321001271116	1	10	130

Standard

Phone, TV, data and AV sockets and plates



CD770/1CXWE



CD1A770CXWE



CD770/1PLWE



CD770/0WE

Cat.Nos		Pack	Barcode	Single qty	Inner qty	Outer qty
TV outlets						
CD770/1CXWE	TV outlet coaxial 1 gang 75 ohm white	HBG	9310539823003	1	10	200
CD1A770CXWE	TV outlet coaxial 1 gang deep plate architrave white	HBG	9310539822402	1	10	240
CDA770/1CXWE	TV outlet coaxial 1 gang 75 ohm architrave white	HBG	9310539820002	1	10	240
Telephone outlet plates						
CD770TOPLWE	Coverplate telephone outlet	HBG	9321001378471	1	10	400
Switch plates						
Rectangle plates						
CD770/1PLWE	Coverplate 1 gang white	HBG	9310539970004	1	10	400
CD770/2PLWE	Coverplate 2 gang white	HBG	9310539970103	1	10	400
Architrave plates						
CDA770/2PLWE	Architrave plate 2 gang white	HBG	9310539017396	1	10	400
Blank plates						
CD770/0WE	Blank plate white	HBG	9321001271055	1	10	400
Flush caps						
CDFLUSHCAPS	Flush caps plastic white pack of 100	HBG	9321001207313	1	10	100

Aqua

Weatherproof switches and powerpoints



WS171/1



DWS170



DWS53F/2WE



DWS40



2WS38



DWS44

Cat.Nos	Switches	Pack	Barcode	Single qty	Inner qty	Outer qty
Rocker switches IP56						
WS171/1	Switch 1 gang IP56 10A 240V a.c. mist grey	BX	9321001188841	1	3	45
WS171/2	Switch 2 gang IP56 10A 240V a.c. mist grey	BX	9321001188858	1	3	60
Rotary switches IP56						
DWS170	Rotary switch 1 gang IP56 10A 240V a.c. mist grey	BX	9321001132363	1	3	60
Powerpoints						
Single powerpoints IP53 - surface mount						
DWS40	Powerpoint 1 gang IP53 10A 240V a.c. with side operating lever misty grey	BL	9321001132325	1	3	60
WS53/1MG	Powerpoint 1 gang IP53 10A 240V a.c. misty grey	BX	9321001206866	1	-	40
Powerpoints IP53 - flush mount						
DWS53F/1WE	Powerpoint 1 gang flush mount IP53 10A 240V a.c. white	CS	9321001216728	1	5	40
DWS53F/2WE	Powerpoint 2 gang flush mount IP53 10A 240V a.c. white	CS	9321001204497	1	5	40
Single powerpoints IP54						
WS54/1MG	Powerpoint 1 gang flush mount IP54 10A 240V a.c. misty grey	BX	9321001275541	1	5	60
Double powerpoints						
2WS38	Powerpoint 2 gang IP33 10A 240V a.c. misty grey	BX	9321001010241	1	-	36
2WS38P	Powerpoint 2 gang double pole IP33 10A 240V a.c. misty grey	BX	9321001010357	1	-	-
DWS44/777WE	Powerpoint 2 gang IP44 10A 240V a.c. misty grey	BX	9310539015897	1	5	20
WS53/2MG	Powerpoint 2 gang IP53 10A 240V a.c. misty grey	BX	9321001206903	1	-	40
Enclosure						
DWS44	Enclosure flush mount IP23 130x130x74mm plastic grey/clear lid white	BL	9310539015903	1	5	20
RWS44B	Enclosure base IP23 white	BL	9310539002279	1	-	30

HPM WEATHERPROOF SWITCHES
& SOCKETS CAN POWER-UP OUR
GREAT OUTDOORS WITHOUT
CRACKING UNDER THE PRESSURE





GENERAL WIRING ACCESSORIES

Brackets



P. 77
Mounting brackets

Junction & wall boxes



P. 77
Wall boxes

Mounting blocks



P. 77
Deep mounting blocks

Other accessories



P. 78
Cable clips

Plug tops & base

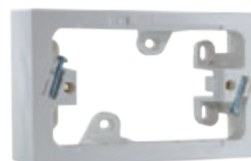


P. 80
Plug tops

FEATURED PRODUCTS



Wall boxes
(p. 77)



Mounting blocks
(p. 77)



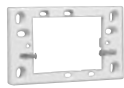
P. 77
Mounting clips



P. 78
Junction boxes



P. 77
13mm
mounting blocks



P. 77
Weatherproof
mounting blocks



P. 79
Insulated &
earth connectors



P. 80
Plug bases



P. 80
Safety plugs



P. 81
Plug-in MCB's



Cable clips
(p. 78)



Plug bases
(p. 80)

General wiring accessories solutions

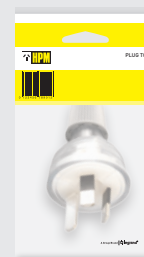
INSTALLATION ACCESSORIES PRODUCTS THAT KEEP YOU PLUGGED-IN

The unsung heroes of electrical accessories. Unlike USB sockets, they fail to win media flattery. Unlike decorative lighting, they fail to woo social media likes. Alas, we guarantee they lurk everywhere, doing their thing, and keeping you comfortable in one way or another.



PLUG TOPS

We've been making plug tops for more than 60 years. Our first plug tops graced the ends of the Aussie Sunbeam mixmasters. We're always surprised where our products end up - they top all sorts of inventions, the humble and the grand.



PLUG BASES BEHIND EVERY GREAT LIGHT, THERE'S A PLUG BASE

When you're installing a gazillion luminaires, you need a plug base that's super easy to fit-off. That's where we come in. We work with electricians to ensure your everyday essentials are easy to install, and keep on working long after you've retired.



Accessories

Brackets, clip, wall boxes and mounting blocks



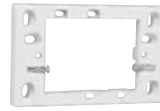
CD711



CD429



BU140WE



CD137WE



YF4

Cat.Nos	Brackets	Pack	Barcode	Single qty	Inner qty	Outer qty
	Mounting brackets					
R143	Mounting brackets	HBG	9310539520100	1	10	160
	Clips					
	Mounting clips for plasterboard					
CD711	Mounting clips for 6.4mm plasterboard 50x76mm max cut-out	HBG	9310539521008	1	10	400
CD712	Mounting clips for 10mm plasterboard 50x76mm max cut-out	HBG	9321001281290	1	10	400
	Wall boxes					
	Standard wall boxes					
CD429	Wall box with sliding nuts, retent. clips & cover black	HBG	9321001271024	1	5	120
BU429R	Wall box with sliding nuts, retent. clips & cover black pack of 10	BX	9321001407386	1	-	-
	Mounting blocks for Excel range					
	Deep surface mounting blocks					
CD140WE	Mounting block 37mm deep for switches & GPOs white	NZ BX	9321001270867	1	10	100
BU140WE	Mounting block 37mm deep for switches & GPOs white pack of 10	BX	9321001407331	1	-	-
	Surface mounting blocks for narrow plates					
CD150WE	Mounting block for narrow plates 78mm m. centres 52x150x24mm white	HBG	9310539502007	1	10	200
	Mounting blocks					
	Surface mounting blocks and spacers					
CD137WE	Mounting block for GPOs 84mm m. centres 13mm deep white	HBG	9321001270850	1	10	240
	Surface mounting blocks for 4 gang powerpoints and square plate					
137/1WE	Mounting block 16mm deep for 4 gang powerpoints white	HBG	9321001003489	1	5	135
	Surface mounting blocks - architrave size					
CD141WE	Mounting block for 1 gang architrave 57mm 74x28x25mm white	HBG	9321001270874	1	10	240
CD156WE	Mounting block for 2 gang architrave 70mm 86x36x26mm white	HBG	9310539502205	1	10	200
	Weatherproof mounting blocks for Aqua range					
C239WE	Mounting block for switches & GPOs weatherproof IP56 120x75x44mm white	HBG	9321001270799	1	8	80
	Universal flush box					
YF4	Flush box universal white, retained metal nuts	NZ HBG	9415733009595	1	100	100

Accessories

Junction boxes and cable clips



CD404 / BU404



CD413



CD406



DQ002



DQ003



DQ011

Cat.Nos		Pack	Barcode	Single qty	Inner qty	Outer qty
Junction boxes						
CD404	Junction box with 4 x 40A connectors (3x1+1x2 screws) 68x68x38mm white	BX	9321001270997	1	10	200
BU404	Junction box with 4 x 40A connectors (3x1+1x2 screws) 68x68x38mm white	BX	9321001407324	1	-	-
CD406	Junction box with 4 x 50A connectors (3x1+1x2 screws) 68x89x44mm white	BL	9321001271000	1	5	120
CD413	Junction box with 3 terminals 6mm 30A 37x68x22mm white	BL	9321001271017	1	10	240
Cable clips						
Round type						
DQ003	Cable clips round 6mm white pack of 20	BL	9321001415411	1	10	200
DQ004	Cable clips round 6mm black pack of 20	BL	9321001415428	1	10	200
DQ009	Cable clips round 10mm white pack of 20	BL	9321001415473	1	10	200
DQ109	Cable clips round 10mm white pack of 100	BL	9321001415541	1	5	50
Flat type						
CL3B	Cable clips flat 13mm with captive set nail pack of 500	BL	9321001244127	1	-	8
CL4B	Cable clips flat 15mm with captive set nail pack of 500	BL	9321001396185	1	-	8
DQ001	Cable clips flat 5mm white pack of 20	BL	9321001415398	1	10	200
DQ002	Cable clips flat 5mm black pack of 20	BL	9321001415404	1	10	200
DQ005	Cable clips flat 7mm white pack of 20	BL	9321001415435	1	10	200
DQ006	Cable clips flat 7mm black pack of 20	BL	9321001415442	1	10	200
DQ010	Cable clips flat 13mm white pack of 20	BL	9321001415480	1	10	200
DQ011	Cable clips flat 15mm white pack of 20	BL	9321001415497	1	10	200
DQ105	Cable clips flat 7mm white pack of 100	BL	9321001415510	1	5	50
DQ110	Cable clips flat 13mm white pack of 100	BL	9321001415558	1	5	50
DQ111	Cable clips flat 15mm white pack of 100	BL	9321001415565	1	5	50
DQ201	Cable clips flat 5mm white pack of 200	BL	9321001415503	1	5	50
RQ710B	Cable clips flat 7-10mm - pack of 100	BL	9321001205807	1	-	60
Hook type						
DQ007	Cable clips hook 8-10mm white pack of 20	BL	9321001415459	1	10	200
DQ008	Cable clips hook 8-10mm black pack of 20	BL	9321001415466	1	10	200
DQ107	Cable clips hook 8-10mm white pack of 100	BL	9321001415527	1	5	50
DQ108	Cable clips hook 8-10mm black pack of 100	BL	9321001415534	1	5	50
DQU30	Cable pin clips	HSL	9310539907901	1	10	200

Accessories

Insulated and earth connectors



CD401



CD402



D35P6

Cat.Nos		Pack	Barcode	Single qty	Inner qty	Outer qty
Cable ties						
RQ16	Handy ties 140mm X 3.6mm black pack of 20	HBG	9310539003122	1	10	250
RQ17	Handy ties 203mm X 4.8mm black pack of 20	HBG	9310539003115	1	10	200
RQ18	Handy ties 280mm X 4.8mm black pack of 20	HBG	9310539002781	1	10	100
RQ19	Handy ties 140mm X 3.6mm black pack of 60	HBG	9310539003139	1	10	100
RQ16WE	Handy ties 140mm x 3.6mm white pack of 20	NZ HBG	9415733001025	1	10	-
RQ17BL	Handy ties 203mm x 4.8mm black pack of 20	NZ HBG	9415733001278	1	10	-
RQ17WE	Handy ties 203mm x 4.8mm white pack of 20	NZ HBG	9415733001032	1	10	-
RQ18BL	Handy ties 280mm x 4.8mm black pack of 20	NZ HBG	9415733001032	1	10	-
Screws						
CD246	Screws 76mm 6-32 thread nickel plated/florentine bronze	HBG	9321001270881	1	10	200
CD247	Screws 51mm 6-32 thread nickel plated/florentine bronze	HBG	9321001256960	1	12	240
Insulated and earth connectors						
CD401	Connector heavy duty 40A 1 screw 6mm hole clear box of 10	HBG	9321001270973	1	10	240
BU401/1	Connector heavy duty 40A 1 screw 6mm hole clear pack of 100	BX	9321001407478	1	-	-
CD402	Connector heavy duty 40A 2 screws 6mm hole clear box of 10	HBG	9321001270980	1	10	240
D35P6	Terminal block connector strip 6 way white	BL	9310539907604	1	10	240
R401B	Connector heavy duty 40A 1 screw 6mm hole clear box of 100	HBG	9310539401409	1	50	750
R402B	Connector heavy duty 40A 2 screws 6mm hole clear box of 100	HBG	9310539402901	1	50	750

Accessories

Plug tops and plug bases



CD100LWE



CD106/1WE



CD37CL



CD1002

Cat.Nos	Plug tops	Pack	Barcode	Single qty	Inner qty	Outer qty
	10A plug tops					
CD100LWE	Plug top flexible PVC cover with cord locking nut 3 flat pins white	HBG	9321001275602	1	10	240
CD100LCL	Plug top flexible PVC cover with cord locking nut 3 flat pins clear	HBG	9321001275572	1	10	240
CD106/1WE	Plug top low profile side entry 3 flat pins white	HBG	9321001275916	1	10	240
106/1BL	Plug top low profile side entry 3 flat pins black	NZ HBG	9321001001799	1	10	200
CD106/2WE	Plug top slim side entry 3 flat pins white suits 15A hd flex. cord	HBG	9321001270829	1	10	240
CD100/8WE	Plug top 10A flat figure 8 white	HBG	9321001270805	1	10	240
CD100LBL	Plug top 10A black	HBG	9321001275589	1	10	240
CD100LGY	Plug top 10A grey	HBG	9321001275596	1	10	240
CD106/1GY	Plug top 10A low profile side entry grey	HBG	9321001275909	1	10	240
CD90/15WE	Plug top 15A with finger grips	NZ HBG	9310539200200	1	10	200
	15A plug tops					
CD100L15CL	Plug top 15A clear	HBG	9321001275619	1	10	240
CD100L15WE	Plug top 15A white	NZ HBG	9321001275633	1	10	240
CD100L15GY	Plug top 15A grey	HBG	9321001275626	1	10	240
CD106/3WE	Plug top low profile side entry 3 pin flat white	HBG	9321001270836	1	10	200
CD7P15WE	Socket plug extension 15A 3pin flat white	NZ HBG	9321001275992	1	10	200
CD90WE	Plug top 10A with finger grips	NZ HBG	9310539200002	1	10	200
YR1	Rubber plug top 10A black (male)	NZ HBG	9415255000346	1	25	125
	Plug bases					
	10A plug bases					
YR2	Rubber socket 10A black (female)	NZ HBG	9415255000353	1	25	125
CD37CL	Plug base single surface mount 3 flat pins 50mm m. centres clear	HBG	9321001370598	1	10	100
BU37CL	Plug base single surface mount 3 flat pins 50mm m. centres clear pack of 10	BX	9321001407355	1	-	-
	Child safety plugs					
CD1002	Safety plug 3 pins pack of 6	HBG	9310539204208	1	10	200
D1002/1	Safety plug slimline 3 pins pack of 12	HBG	9321001234883	1	10	200
	Cord extension socket					
	10A cord extension sockets					
CD7PBL	R-entry cord extension socket 10A black	HBG	9321001393993	1	10	200
CD7PCL	Cord extension socket 10A clear	HBG	9321001275978	1	10	200
CD7PGY	Cord extension socket 10A grey	HBG	9321001275961	1	10	200
CD7PWE	Cord extension socket 10A white	HBG	9321001275985	1	10	200
	15A cord extension sockets					
CD7P15CL	Socket plug extension 15A 3pin flat clear	HBG	9321001271185	1	10	200
CD7P15GY	Socket plug extension 15A 3pin flat grey	HBG	9321001271192	1	10	200
	IP44 plug and socket					
57434	Tempra IP44 straight plug 2P+E 16A 200-240Va.c.	NZ HBG	3245060574345	1	-	-
57514	Tempra IP44 mobile socket 2P+E 16A 200-240V a.c.	NZ HBG	3245060575144	1	-	-

New product

Energy Saving products

More info available. See technical pages

Coming soon

Product to be discontinued

Product only available in New Zealand

CS = Clam Shell, BL = Blister pack, BX = Box, SL = Sleeve, HSL = Hang sell sleeve, HBG = Hang sell bag, HBX = Hang sell box, TG = T. g. For more details on ,packagin_ see pag : 4.

Plug-in MCBs

Plug-in MCBs and mini circuit breakers



CDCB108



CDCB116



CDCB120



CDCB132

Cat.Nos	Plug in MCB 240V a.c.	Pack	Barcode	Single qty	Inner qty	Outer qty
CDCB108	1 pole 8A 6kA breaking capacity 1 module	HBG	9310539909004	1	5	60
CDCB116	1 pole 16A 6kA breaking capacity 1 module	HBG	9310539909103	1	5	60
CDCB120	1 pole 20A 6kA breaking capacity 1 module	HBG	9310539909202	1	5	60
CDCB132	1 pole 32A 6kA breaking capacity 1 module	HBG	9310539909301	1	5	60
	Mini circuit breaker					
DMCB6	1 pole 6A mini circuit breaker	HBG	9415733001216	1	5	40
DMCB10	1 pole 10A mini circuit breaker	HBG	9415733001223	1	5	40
DMCB16	1 pole 16A mini circuit breaker	HBG	9415733001230	1	5	40
DMCB20	1 pole 20A mini circuit breaker	HBG	9415733001247	1	5	40
DMCB32	1 pole 32A mini circuit breaker	HBG	9415733001254	1	5	40
DMCBBASE	Mini plug in circuit breaker base	HBG	9415733010669	1	-	-



Standard



P. 85
Overload protection
1.8m

Master switch and heavy duty



P. 85
Master switch

Individually switched



P. 85
Switched outlets

USB/TV



P. 85
USB Chargers

FEATURED PRODUCTS



TV/AV powerboards
(p. 85)



**Worksite portable
powercentre**
(p. 86)

P. 85
Transformer
spacing



P. 85
Transformer
spacing black



P. 85
Surge
protection



P. 85
Master switch



P. 85
Master switch-RJ11



P. 86
Plug Boss
heavy duty



P. 86
Plug Boss
heavy duty RCD



P. 85
Switched outlets
black



P. 85
Switched
6 outlets



P. 86
Worksite portable
powercentre



P. 85
TV&AV



P. 85
TV&AV
8 outlets



P. 86
Power adaptor



Power adaptor
(p. 86)



**Plug Boss
heavy duty RCD**
(p. 86)

Powerboards solutions



GENERAL WE MAKE PRODUCTS TO KEEP YOU MULTI-TASKING

Powerboards are the ultimate multi-taskers. Behind every great building, fashion shoot, lead singer, surfboard shaper, and time-based video artist, we swear there is a powerboard. A basic powerboard for those who prefer outlets with switches to protect your computing and entertainment equipment or if you have lots of chunky transformers that demand extra space between outlets.



TV/AV

With high or extra surge protection and TV sockets, these powerboards are ideal to protect your TV and entertainment equipment.



PLUG BOSS

Ideal for workshops and those who love heavy duty, industrial style design. This rugged, durable powerboard features a protective finish to withstand knocks and scrapes and a large hanging hook to give you more flexibility to position power where you need it. It also features a cord wrapping channel to help you keep the cord neat or a 'parking clip' to help prevent the lead unravelling when not in use.



POWERCENTRE

There are strict rules about what goes on a construction site. And our powercentres meet all of them. This unit features four 10A double pole powerpoints with safety shutters, along with the best quality lead and residual current protection. Keep safe, add it to your kit.



Mobile products

Powerboards



D105MS4WE



D104WE



D104PACC



D104PAUSBWE



D105PAUSBWE



D105TVAV8BL

Cat.Nos		Pack	Barcode	Single qty	Inner qty	Outer qty
Standard 10A 2400W						
R105	4 outlets white overload protection 0.9m lead	HBG	9321001185093	1	10	50
D105/1	4 outlets white overload protection 1.8m lead	BL	9310539268804	1	5	45
D105/4TR	4 outlets white overload protection 0.9m lead transf. space	BL	9321001273714	1	8	32
D105/4TRPA	4 outlets white overload protection 0.9m lead 150J surge transf. space	BL	9321001273745	1	8	32
D105/5TRPA	5 outlets white overload protection 1.8m lead 150J surge transf. space	BL	9321001202127	1	5	30
D105/5TRPACC	5 outlets charcoal overload protection 1.8m lead 525J surge transf. space N	BL	9321001435143	1	5	30
R105/6	6 outlets white overload protection 0.9m lead	HBG	9321001185109	1	10	50
R105/6TWIN	6 outlets white overload protection 0.9m lead twin pack	HBG	9321001260851	1	5	20
D105PA6	6 outlets white overload protection 0.9m lead 150J surge	BL	9310539268705	1	5	30
D105PA6CC	6 outlets charcoal overload protection 0.9m lead 150J surge	BX	9321001280361	1	4	32
D105PA8	8 outlets white overload protection 0.9m lead 150J surge	BL	9321001391340	1	5	25
D105PA8CC	8 outlets charcoal overload protection 0.9m lead 150J surge	BL	9321001391401	1	5	25
Master switch 10A 2400W						
D105MS4WE	4 outlets white overload protection 3m lead 375 surge N	BL	9321001437864	1	5	20
D105MS6WE	6 outlets white overload protection 3m lead 375 surge N	BL	9321001437871	1	5	20
D105MS6RJWE	6 outlets white RJ 11 protection overload protection 3m lead 375 surge N	HBX	9321001437888	1	5	20
Individual switched outlets 10A 2400W						
D104WE	4 outlets white overload protection 0.9m lead	BL	9310539018522	1	3	18
D104PAWE	4 outlets white overload protection 1.8m lead 175J surge	BL	9310539018539	1	3	18
D104PACC	4 outlets charcoal overload protection 3m lead 525J surge N	BL	9321001435112	1	3	18
D104PA6	6 outlets white overload protection 1.8m lead 175J surge	BL	9321001391289	1	5	20
USB chargers 10A 2400W						
D104PAUSBWE	4 outlets white overload protection 1.8m lead 525J surge 2x2.4A USB	HBX	9321001432425	1	4	24
D105PAUSBWE	4 outlets white overload protec 1.5m lead 175J surge 2.1A total USB	HBX	9321001432395	1	6	36
TV & AV 10A 2400W						
D105TVAV4BL	4 outlets black 2.0m lead overload protection 875J surge N	HBX	9321001437833	1	5	20
D105TVAV6BL	6 outlets black 3.0m lead overload protection 2800J surge N	HBX	9321001437840	1	4	16
D105TVAV8BL	8 outlets black 3.0m lead overload protection 3150J surge N	HBX	9321001437857	1	4	12
D105/12TRPA	12 outlets white overload protection 1.8m lead 150J surge	BL	9321001391319	1	8	16
D105/12TRPPCC	12 outlets charcoal overload protection 1.8m lead 150J surge	BL	9321001391371	1	8	16

N New product

ECO Energy Saving products

+ More info available. See technical pages

COMING SOON Coming soon

X Product to be discontinued

NZ Product only available in New Zealand

CS = Clam Shell, BL = Blister pack, BX = Box, SL = Sleeve, HSL = Hang sell sleeve, HBG = Hang sell bag, HBX = Hang sell box, TG = Tag. For more details on packaging see page 4.

Mobile products

Powerboards and powercentre



D105SSPA4



D105POD4



D105PBOSSPA4



D105PBOSSPA8



REPC410USB



REPC11015

Cat.Nos		Pack	Barcode	Single qty	Inner qty	Outer qty
Child-safe 10A 2400W						
D105SSPA4	4 outlets white overload protection 0.9m lead 150J surge	BL	9321001260912	1	4	40
D105POD4	4 outlets white overload protection 1.8m lead 900J surge	BL	9321001389361	1	3	18
D105POD6	6 outlets white overload protection 1.8m lead 900J surge	BL	9321001389392	1	3	18
Plugboss heavy duty 10A 2400W						
D105PBOSSPA4	4 outlets yellow/black overload protection 3.0m lead 900J surge	HBX	9321001393245	1	5	20
D105PBOSS5	5 outlets yellow/black overload protection 1.8m lead	TG	9321001222286	1	5	20
D105PBOSSPA6	6 outlets yellow/black overload protection 3.0m lead 350J surge	TG	9321001222293	1	4	12
D105PBOSSPA8	8 outlets yellow/black overload protection RCD protect 3.0m lead 350J surge	TG	9321001275510	1	4	12
Worksite portable powercentre						
10A 2400W						
REPC410	4 outlets IP33 orange RCBO protection 1.8m lead	BX	9321001370222	1	-	9
REPC410USB	4 outlets IP33 orange RCBO protect. 1.8m lead 2 x 2.4A USB N	BX	9321001431114	1	-	9
15A 3600W						
REPC415	4 outlets IP33 orange RCBO protection 1.8m lead	BX	9321001370246	1	-	9
Power adaptor						
REPC11015	15A to 10A IP33 charcoal 1.8m lead RCBO protect ideal for caravans N	BX	9321001435013	1	-	9



POD POWERBOARDS
ARE IDEAL FOR THE
STYLE CONSCIOUS



EXTENSION LEADS

Household duty



P. 91
Standard

Heavy duty



P. 91
Standard
yellow

Extra heavy duty



P. 92
Caravan

Various



P. 92
Heavy duty with
in-line RCD

FEATURED PRODUCTS



Plug Boss
(p. 91)



Extra heavy duty
(p. 92)

P. 85
Transformer
spacing



P. 85
Transformer
spacing black



P. 85
Surge
protection



P. 85
Master switch



P. 85
Master switch-RJ11



P. 86
Plug Boss
heavy duty



P. 86
Plug Boss
heavy duty RCD



P. 85
Switched outlets
black



P. 85
Switched
6 outlets



P. 86
Worksite portable
powercentre



P. 85
TV&AV



P. 85
TV&AV
8 outlets



P. 86
Power adaptor



Power adaptor
(p. 86)



**Plug Boss
heavy duty RCD**
(p. 86)

Extension leads solutions



HOUSEHOLD HOUSEHOLD DUTY EXTENSION LEADS WITH PIGGY-BACK PLUG

A clever, everyday extension lead for the home or office. It features a convenient piggy-back plug. So you can turn one power outlet into two by plugging in other devices on the back of the plug top.



HEAVY DUTY

If you love spending hours in your workshop making furniture, shaping surfboards, inventing gadgets or creating film sets, PlugBoss leads could become your favourites. They feature a handy clamping socket. This locks the two ends of the lead together to prevent the frustration and downtime caused by leads coming apart.



EXTRA HEAVY DUTY

These are ideal when you need a little extra durability, but don't wish to lug around the super heavy construction grade leads. They feature a handy clamping socket. This locks the two ends of the lead together to prevent the frustration and downtime caused by leads coming apart.



CARAVAN

A carefree life on the road travelling our rugged, beautiful country requires the best quality gear. To keep yourself safe, and to ensure you're powered wherever you wander, pack these extension leads in your kit.



CABLE REELS

Whether in the studio, concert hall, building site or at home, our cable reels are the best. Thicker, UV stabilised insulation and 100% copper wiring is what separates our cable reels from the el-cheapos. They are tougher, safer, less likely to catch fire or crack under the midday sun.



Mobile products

Extension leads



Cat.Nos	Household duty 10A 2400W	Pack	Barcode	Single qty	Inner qty	Outer qty
Standard						
R2702	2m lead white 3 core 1.0mm ²	HSL	9321001093367	1	10	40
R2703	3m lead white 3 core 1.0mm ²	HSL	9321001093381	1	10	40
R2705	5m lead white 3 core 1.0mm ²	HSL	9321001093428	1	5	25
R2707	7m lead white 3 core 1.0mm ²	HSL	9321001093466	1	5	20
R2710	10m lead white 3 core 1.0mm ²	HSL	9321001093527	1	5	15
R2715	15m lead white 3 core 1.0mm ²	HSL	9321001093565	1	5	10
R2720	20m lead white 3 core 1.0mm ²	HSL	9321001093589	1	4	8
Piggyback socket						
R2601	1m lead white 3 core 1.0mm ²	HSL	9321001141013	1	10	40
R2602	2m lead white 3 core 1.0mm ²	HSL	9321001141037	1	10	40
R2604	4m lead white 3 core 1.0mm ²	HSL	9321001141044	1	5	20
R2606	6m lead white 3 core 1.0mm ²	HSL	9321001141051	1	5	20
R2610	10m lead white 3 core 1.0mm ²	HSL	9321001141068	1	5	15
Entertainment						
R2702EB	2m lead black 3 core 1.0mm ²	HSL	9321001392644	1	10	40
R2703EB	3m lead black 3 core 1.0mm ²	HSL	9321001392675	1	10	40
R2705EB	5m lead black 3 core 1.0mm ²	HSL	9321001392705	1	5	25
Heavy duty 10A 2400W						
Standard						
R2805	5m lead yellow 3 core 1.0mm ²	SL	9321001407676	1	-	5
R2810	10m lead yellow 3 core 1.0mm ²	SL	9321001141075	1	-	5
R2815	15m lead yellow 3 core 1.0mm ²	SL	9310539279305	1	-	5
R2820	20m lead yellow 3 core 1.0mm ²	SL	9321001141099	1	-	5
R2825	25m lead yellow 3 core 1.0mm ²	SL	9310539279206	1	-	5
Locking socket						
R2810L	10m lead yellow 3 core 1.0mm ²	SL	9321001277187	1	-	5
R2815L	15m lead yellow 3 core 1.0mm ²	SL	9321001280217	1	-	5
R2820L	20m lead yellow 3 core 1.0mm ²	SL	9321001277200	1	-	5
R2825L	25m lead yellow 3 core 1.0mm ²	SL	9321001277224	1	-	5
Plugboss locking socket						
R2810PBL	10m lead yellow/black 3 core 1.0mm ²	SL	9321001218982	1	-	5
R2820PBL	20m lead yellow/black 3 core 1.0mm ²	SL	9321001218999	1	-	5

N New product

ECO Energy Saving products

+ More info available. See technical pages

COMING SOON Coming soon

X Product to be discontinued

NZ Product only available in New Zealand

CS = Clam Shell, BL = Blister pack, BX = Box, SL = Sleeve, HSL = Hang sell sleeve, HBG = Hang sell bag, HBX = Hang sell box, TG = Tag. For more details on packaging see page 4.

Mobile products

Extension leads



R2815GL



R2920/15CV



R2920TL



R2920/15

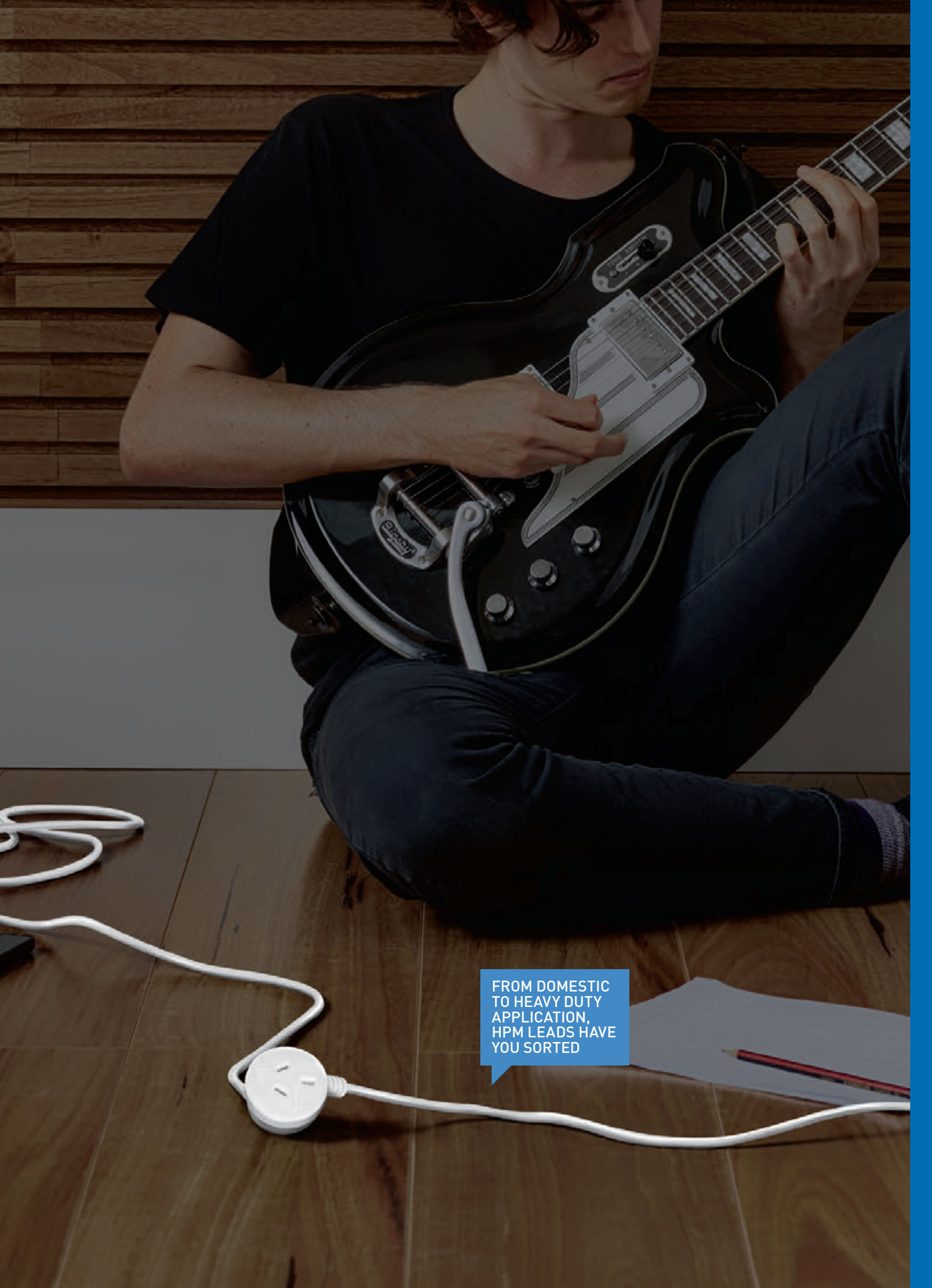


R5102/1



CD107

Cat.Nos		Pack	Barcode	Single qty	Inner qty	Outer qty
	Heavy duty 10A 2400W					
	Garden heavy duty					
R2815GL	15m lead yellow/green 3 core 1.0mm ²	SL	9321001218951	1	-	5
R2825GL	25m lead yellow/green 3 core 1.0mm ²	SL	9321001218975	1	-	5
	Extra heavy duty 15A 3600W					
	Caravan					
R2908/15	8m lead orange 3 core 1.5mm ²	SL	9310539005966	1	-	5
R2910/15CV	10m lead orange 3 core 1.5mm ²	SL	9321001407690	1	-	5
R2915/15CV	15m lead orange 3 core 1.5mm ²	SL	9321001407706	1	-	3
R2920/15CV	20m lead orange 3 core 1.5mm ²	SL	9321001408659	1	-	3
R2925/15CV	25m lead orange 3 core 1.5mm ²	SL	9321001407713	1	-	3
	Tradesman					
R2910TL	10m lead red/black 3 core 1.5mm ² with locking socket		9321001411017	1	-	5
R2920	20m lead orange 3 core 1.5mm ²	SL	9310539279404	1	-	5
R2920TL	20m lead red/black 3 core 1.5mm ² with locking socket	SL	9321001411024	1	-	3
R2930	30m lead orange 3 core 1.5mm ²	SL	9310539015453	1	-	3
R2930TL	30m lead red/black 3 core 1.5mm ² with locking socket	SL	9321001411031	1	-	3
R2935	35m lead orange 3 core 1.5mm ²	SL	9321001196167	1	-	3
	Construction lead					
R2910/15CL	10m lead clear plug & socket blue 3 core 1.5mm ² with locking socket	SL	9321001413219	1	-	5
R2920/15CL	20m lead clear plug & socket blue 3 core 1.5mm ² with locking socket	SL	9321001413226	1	-	3
R2920/15	20m lead orange 15A 3 core 1.5mm ²	SL	9310539279503	1	-	5
	Extra heavy duty 10A 3600W					
	Camping					
R2810CLRCD	10m lead yellow with RCD switch	BX	9321001450573	1	3	6
	Heavy duty lead 10A 2400W with inline RCD					
R5102/1	2m lead IP66 RCD protection yellow 3 core 1.5mm ²	HBG	9310539003610	1	5	25
D5101	Safety switch with 1.6m lead	NZ HBG	9310539285801	1	3	18
	Accessories					
CD107	Cord locks for 3 pin plugs and extension sockets yellow	HSL	9310539271606	1	5	50
RHH01	Carry straps for leads and hoses up to 5kg orange	HSL	9321001268956	1	32	160
	Cable reels 10A 2400W					
D105CR10ODS	10m standard lead 4 outlets black 3 core 1.0mm ²	TG	9321001424680	1	-	3
RCR2	Cable reel bare	NZ TG	9415733001759	1	3	-
D105CR25HDS	25m heavy duty lead 4 outlets yellow 3 core 1.0mm ²	TG	9321001424697	1	-	3
D105CR20XDS	20m extra heavy duty lead 4 outlets orange 3 core 1.5mm ²	TG	9321001424703	1	-	3



FROM DOMESTIC
TO HEAVY DUTY
APPLICATION,
HPM LEADS HAVE
YOU SORTED



USB CHARGERS, TIMERS & ADAPTORS

USB Chargers



P. 97
Single adaptor

Analogue timers



P. 97
Analogue

Digital timers



P. 97
7 Day

Adaptors



P. 98
Double adaptor

FEATURED PRODUCTS



USB Chargers
(p. 97)



Plug-in timers
(p. 97)



P. 97
Twin USB



P. 97
5 Port USB



P. 97
World travel pack



P. 97
4 port world travel



P. 97
Compact



P. 97
Twin pack



P. 97
Slimline



P. 97
Outdoor IP44



P. 97
7 Day slimline



P. 98
Right extend



P. 98
Right extend audible alert



P. 98
International travel adaptor for EUR & USA



P. 98
International travel adaptor for UK



P. 98
Fuse wire



World travel adaptor (p. 97)



Adaptors (p. 98)

USB chargers, timers & adaptors solutions

USB CHARGERS

STAY CHARGED AT WORK, HOME & PLAY

Running out of battery power is frustrating. Lugging around multiple bulky adaptors is a hassle. So we've engineered products to keep you charged and moving, with less trouble.



WHY HPM USB?



2 x 1A or 2 x 2.4A sockets for faster charging



Charge 2 x smartphones or 2 x tablets or MP3/4 players simultaneously at the maximum charging speed



Perfect for keeping mobile devices charged while travelling

TIMERS

WE MAKE PRODUCTS TO SAVE YOU TIME AND MONEY

Remembering to turn off devices can be a hassle. Save yourself time and brain space, try one of these simple, easy to use timers. They are ideal for magically turning on and off devices like Christmas lights, pool pumps, heaters, and coffee machines.



ADAPTORS

WE MAKE PRODUCTS TO KEEP YOU POWERED

Small and portable, these products will help keep you powered wherever you travel. From international travel adaptor sets, to the humble double adaptor, they might not be rocket science, but they are mighty handy.



Mobile products

USB chargers and plug-in timers



D2USB



PS2USB



D4USB



D810SLIM



D818OD



D817SLIM

Cat.Nos	USB chargers		Pack	Barcode	Single qty	Inner qty	Outer qty
D2USB	Single adaptor with USB charger 10A socket 2x2.4A USB		HBX	9321001427162	1	6	36
PS2USB	Twin USB charging station socket 2x2.4A USB		HBX	9321001427179	1	6	36
PS5USB	5 port USB charging station 7.2A total	N	BX	9321001441694	1	4	40
D2USB121	World travel pack AUS/UK/USA/EUR socket 2x2.4A USB		HBX	9321001431435	1	6	36
D4USB	4 port world travel pack AUS/UK/USA/EUR 2x2.4A & 2x1A	N	HBX	9321001441663	1	3	30
Analogue timers 10A 2400W							
D818	24h 15min increments		CS	9310539809809	1	4	32
D809/1	24h 15min increments with offset		HSL	9321001260653	1	6	36
D810/2	24h compact 15min increments		CS	9321001245148	1	5	40
D819/2	24h easy set override switch 15min increments		CS	9321001273486	1	6	60
D809/1TWIN	24h twin pack 15min increments with offset		CS	9321001260714	1	6	36
D810SLIM	24h slimline 30min increments		CS	9321001285267	1	6	36
D810SLIMDP	NSW 24h slimline 30min increments double pole*		CS	9321001455721	1	6	36
D810SLIMTP	24h slimline twin pack 30min increments		CS	9321001287681	1	6	36
D810SLIMTPDP	NSW 24h slimline twin pack 30min increments double pole*		CS	9321001455738	1	6	36
Analogue outdoor timers 10A 2400W							
D818ODDP	24h 30min increments analogue IP44 heavy duty M40 motor rating double pole*		CS	9321001457237	1	4	32
Digital timers 10A 2400W							
D817/2	7 day 1min increments up to 14 ON/OFF settings per day battery back up		CS	9321001245131	1	5	40
D817/2DP	NSW 7 day 1min increments up to 14 ON/OFF settings per day battery back up double pole		CS	9321001455714	1	5	40
D817SLIM	7 day slimline 1min increments up to 16 ON/OFF settings per day battery back up		CS	9321001391142	1	6	36
D817SLIMDP	NSW 7 day slimline 1min increments up to 16 ON/OFF settings per day battery back up double pole*		CS	9321001455745	1	6	36
D817SLIMTP	7 day slim. twin pack 1min increments up to 16 ON/OFF settings per day battery back up		CS	9321001426226	1	6	36
D817SLIMTPDP	NSW 7 day slim. twin pack 1min increments up to 16 ON/OFF settings per day battery back up double pole		CS	9321001455752	1	6	36

*Note

NSW Customers: Due to recent regulation changes, timers sold in NSW must be double pole (Cat. Nos ending with DP). Single pole timers will not be sold to NSW customers.



New product



Energy Saving products



More info available. See technical pages



Coming soon



Product to be discontinued



Product only available in New Zealand

Mobile products

Adaptors and others



D102WE



D2/2WE



D2PAB



D121



R1202

Cat.Nos		Pack	Barcode	Single qty	Inner qty	Outer qty
Double adaptors 10A 2400W						
D102WE	Vertical white	BL	9310539221502	1	10	240
R102WE	Vertical white with display tag	TG	9321001243618	1	10	120
D2WE	Right extend white	BL	9310539224008	1	5	120
D2LWE	Left extend white	BL	9310539224206	1	5	120
D2/2WE	Twin pack left & right extend white	CS	9310539224404	1	5	100
D2PA	Right extend white 175J surge	BL	9310539224701	1	5	100
D2PAB	Right extend white audible alert 175J surge	BL	9321001155485	1	5	100
D2PA/2WE	Twin pack left & right extend white 175J surge	CS	9321001437635	1	5	100
International travel adaptors 10A 2400W						
D121	Complete set EUR/USA/UK white	CS	9310539205007	1	5	50
D122	For EUR/USA travellers to AUS/NZ white	CS	9310539206103	1	10	200
D121E	For AUS/NZ travellers to EUR white	CS	9310539205809	1	5	120
D121UK	For AUS/NZ travellers to UK white	CS	9310539205700	1	5	120
D121A	For AUS/NZ travellers to USA white	CS	9310539205908	1	5	120
Fuse wire						
R1202	Fuse wire 8A /16A pack of 2 fuse wires	HSL	9310539906003	1	10	100



THIS CLEVER
TIMER WILL
SAVE YOU TIME
& MONEY





DOOR CHIMES

Battery operated



P. 103
100m range LED

Plug-in



P. 103
Piggy back adjustable volume

Bell press



P. 103
Single bell

FEATURED PRODUCTS



Battery operated
(p. 103)



TWIN PACK
(p. 103)



P. 103
70m range



P. 103
70m range



P. 103
50m range
LED indicator



P. 103
30m range



P. 103
Piggy back



P. 103
35m range
piggy back



**Wireless
door chimes
(p. 103)**



**100m range
with LED indicator
(p. 103)**

Door chimes solutions

BATTERY OPERATED WE MAKE PRODUCTS FOR D.I.Y.

A simple, battery operated door chime. With no wiring, you can place them wherever you wish. Or carry them with you so you never miss a delivery, nor visiting friend. Featuring a flashing light function, they are useful in circumstances when you cannot hear the door chime tune.



PLUG-IN A PRACTICAL, D.I.Y. DOOR CHIME

Featuring a piggy-back socket, you can use it as an additional socket for vacuum cleaners, lamps - anything you need. It also features a flashing light function. This comes in handy for circumstances when you cannot hear the door chime tune.



BELL PRESS

If your bell press has been damaged, graffitied or has disappeared into thin air, we've got you covered. This bell press is suitable to use with any of the door chimes in our D641 series.



Mobile products

Door chimes



D642/L1



D641/BLRCC



D642/05



D642/01



D641/B



D641/PIFL

Cat.Nos		Pack	Barcode	Single qty	Inner qty	Outer qty
Wireless battery-operated						
D642/L1	White 100m range 433MHz 80dB 36 mel. with LED indicator	CS	9321001424567	1	8	48
D642/L2	White 100m range 433MHz 80dB 36 mel.	CS	9321001424574	1	8	48
D641/BLR	White 70m range 433.92MHz 12V d.c. 100dB 2 mel.	CS	9321001203353	1	5	20
D641/BLRCC	Charcoal 70m range 433.92MHz B29100dB 2 mel.	CS	9321001257127	1	5	20
D641/BFL	White 70m range 433.92MHz 80dB	CS	9321001229674	1	5	50
D642/05	White round 50m range 433.05-434.79MHz 80dB 16 mel. with LED indicator	CS	9321001259299	1	4	48
D642/01	White square 50m range 433.05-434.79MHz 80dB 16 mel. with LED indicator	CS	9321001259053	1	4	48
D642/012R	White 50m range 433.05-434.79MHz 80dB 16 mel. x2 door chime receivers with LED indicator N	CS	9321001434757	1	4	48
D641/B	White 30m range 433.92MHz 100dB 2 mel.	CS	9321001218388	1	8	80
Wireless plug-in						
D641/PIFL	White 70m range 433.92MHz 70dB 2 mel. piggyback socket adjust. volume	CS	9321001227267	1	5	50
D641/PILR	White 70m range 433.92MHz 70dB 2 mel. piggyback socket	CS	9321001227250	1	5	50
D641/PI	White 35m range 433.92MHz 70dB 2 mel.	CS	9321001227243	1	5	50
Wireless bell presses						
D641/BPWE	White single bell press 433.92MHz for D641/PI series	CS	9321001227274	1	10	100
D641/BPCC	Charcoal single bell press 433.92MHz for D641/PI series	CS	9321001257134	1	10	100



VENTILATION

Exhaust fans



P. 107
Wall exhaust fans

Bathroom heaters



P. 109
Single lamp
instant heat

Ceiling sweep fans



P. 110
White
aluminium finish

FEATURED PRODUCTS



Wall exhaust fans
(p. 107)



Ceiling exhaust fans
(p. 107)



P. 107
Non-ducted
ceiling exhaust fans



P. 107
Ducted ceiling
exhaust fans



P. 108
Accessories



P. 109
3-in-1
non-ducted units



P. 109
3-in-1
ducted units



P. 109
Replacement
heat lamps
and centre light



P. 110
Stainless
steel finish



P. 110
Rattan
white finish



P. 111
Accessories



**Non-ducted
instant heat
(p. 109)**



**Ceiling sweep fans
(p. 110)**



Ventilation solutions

SWEEP FANS STAY COOL

Something about ceiling fans evokes the sexiness of sultry summer nights in tropical destinations. By whisking away moisture from your skin, they provide sigh-worthy relief from the feeling of being strangled by humidity. We've designed our fans to be reliable, discreet wonders.



EXHAUST FANS KEEPING ROOMS FRESH

We all hate mould. For healthy air, great ventilation is essential. It helps prevent deadly mould from sprawling an evil path across your walls and ceilings. So whisk away bad odours and minimise condensation with these classic exhaust fans.



INSTANT HEAT KEEPING BATHROOMS HEALTHY AND WARM

Relish the toasty comfort of heat lamps. We vote these should be mandatory in all bathrooms prone to winter chills. The heat lamps, exhaust fan and light in this stylish unit can be used separately. So you can create the perfect environment for your whims, whatever the reason or season.



Ventilation

Exhaust fans



EF100SQWE



EF100SQSWE



EF200RDWE



EF200SQWE



EFD01RDMS



R620LED

Cat.Nos	Wall exhaust fans		Pack	Barcode	Single qty	Inner qty	Outer qty
100mm							
EF100SQWE	14W square white finish 94m ³ /h 158x158mm fascia		BX	9321001436157	1	-	4
EF100SQSWE	14W square slimline white finish 105m ³ /h 158x158mm fascia		BX	9321001436164	1	-	4
EF100RDWE	14W round white finish 105m ³ /h Ø190mm fascia		BX	9321001436171	1	-	4
100mm IP57 Extra low voltage							
VA100SVX12	18W 12V a.c. IP57 square white finish w shutters 75m ³ /h 155x155mm fascia		BX	9310539003184	1	-	-
150mm							
EF150SQWE	24W square white finish 218m ³ /h 212x212mm fascia		BX	9321001436188	1	-	4
EF150SQSWE	24W sq. slim white finish 309m ³ /h 212x212mm fascia		BX	9321001436195	1	-	4
EF150RDWE	24W round white finish 309m ³ /h Ø253mm fascia		BX	9321001436201	1	-	4
EFS150SQWE	24W sq. white finish w shutters 200m ³ /h 212x212mm fascia		BX	9321001436218	1	-	4
EFS150SQSWE	24W sq. slim white finish w shutters 267m ³ /h 212x212mm fascia		BX	9321001436225	1	-	4
Ceiling exhaust fans							
200mm non-ducted							
EF200RDWE	35W round white finish 350m ³ /h Ø287mm fascia		BX	9321001436256	1	-	4
EF200RDMS	35W round matt silver finish 350m ³ /h Ø287mm fascia		BX	9321001436263	1	-	4
EF200SQWE	35W square white finish 350m ³ /h 275x275mm fascia		BX	9321001436249	1	-	4
250mm non-ducted							
EF250RDWE	38W round white finish 400m ³ /h Ø372mm fascia		BX	9321001436287	1	-	4
EF250RDMS	38W round matt silver finish 400m ³ /h Ø372mm fascia		BX	9321001436294	1	-	4
EF250SQWE	38W square white finish 400m ³ /h 350x350mm fascia		BX	9321001436270	1	-	4
Ducted							
R621D1	34W square white finish 160m ³ /h 290x290mm fascia		BX	9321001256250	1	-	2
EFD01RDWE	40W round white finish 330m ³ /h Ø372mm fascia		BX	#N/A			
EFD01RDMS	40W round matt silver finish 330m ³ /h Ø372mm fascia		BX	#N/A			
EFD01SQWE	40W square white finish 330m ³ /h 350x250mm fascia		BX	#N/A			
Inline exhaust fans							
EFIL100SQWE	30W 100mm square white finish 255m ³ /h		BX	9321001448877	1	-	2
EFIL150SQWE	60W 150mm square white finish 555m ³ /h		BX	9321001448884	1	-	-
Fanlights non-ducted							
R620LED	49W LED 200mm round white finish 300m ³ /h Ø340mm fascia		BX	9321001433989	1	-	2
R620	38W 200mm round white finish 300m ³ /h Ø340mm fascia		BX	9310539617206	1	-	2
LM100L	15W 12V a.c. 100mm round white finish IP65 100m ³ /h Ø150mm fascia		BX	5015135185749	1	-	2

New product

Energy Saving products

More info available. See technical pages

Coming soon

Product to be discontinued

Product only available in New Zealand

CS = Clam Shell, BL = Blister pack, BX = Box, SL = Sleeve, HSL = Hang sell sleeve, HBG = Hang sell bag, HBX = Hang sell box, TG = Tag. For more details on packaging see page 4.

Ventilation

Exhaust fans



R621/6D



R621/6WA



A100



A800



EFGR200RDWE

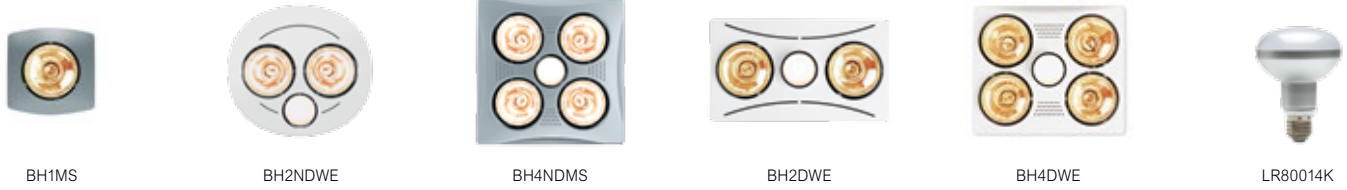


EFGR250RDWE

Cat.Nos	Accessories	Pack	Barcode	Single qty	Inner qty	Outer qty
	Wall kits					
R621/4D	100mm external grille, duct, cable ties, wall plugs for 100mm wall fans	BX	9321001141723	1	-	10
R621/6D	150mm external grille, duct, cable ties, wall plugs for 150mm wall fans	BX	9321001141792	1	-	10
	Window kits					
R621/6WA	150mm external grille, gaskets, flush plate for 150mm wall fans only	BX	9321001141822	1	-	-
	Time delay module					
EF100/150TD	1-29min for EF100&150 series wall fans N	BX	9321001436232	1	5	60
	Duct adaptor					
R621D2DA	100 to 150mm duct adaptor	PL	9321001391524	1	-	-
	Ducting					
A100	Ø100mmx3m length	PL	9321001189473	1	-	-
A101	Ø150mmx3m length	PL	9321001189459	1	-	-
	External grilles					
A501	Ø150mm egg-crate grille with neck adaptor	PL	9321001189336	1	-	-
A505	Ø150mm circular ceiling/wall diffuser	PL	9321001189305	1	-	-
A800	Ø100mm airflow shutter w gravity flaps	PL	9321001185727	1	-	20
A801	Ø150mm airflow shutter w gravity flaps	PL	9321001189503	1	-	10
	Replacement grilles					
EFGR200RDWE	Ø200mm round white finish. Compatible with EF200 series N	PL	9321001451907	1	5	40
EFGR250RDWE	Ø250mm round white finish. Compatible with EF250 series & EFD01 series N	PL	9321001451914	1	5	40

Ventilation

Bathroom heaters



Cat.Nos			Pack	Barcode	Single qty	Inner qty	Outer qty
Single heat lamp units							
BH1WE	275W square white with flex and plug Ø175mm cut-out	N	BX	9321001432456	1	-	12
BH1MS	275W square matt silver with flex and plug Ø175mm cut-out	N	BX	9321001432463	1	-	12
R615	275W round white hard-wired Ø170mm fascia		BX	9310539015880	1	-	10
3-in-1 non-ducted units							
BH2NDWE	2 lamps 690W 240m ³ /h Ø300mm cut-out white LED centre light	N	BX	9321001432470	1	-	-
BH2NDMS	2 lamps 690W 240m ³ /h Ø300mm cut-out matt silver LED centre light	N	BX	9321001432487	1	-	-
BH4NDWE	4 lamps 1240W 390m ³ /h 322x322mm cut-out white LED centre light	N	BX	9321001432494	1	-	-
BH4NDMS	4 lamps 1240W 390m ³ /h 322x322mm cut-out matt silver LED centre light	N	BX	9321001432500	1	-	-
R622/1AC	2 lamps 690W 240m ³ /h Ø300mm cut-out white		BX	9321001280330	1	-	-
R622/2AC	4 lamps 1240W 390m ³ /h 322x322mm cut-out white		BX	9321001280354	1	-	-
3-in-1 ducted units							
BH2DWE	2 lamps 840W 180m ³ /h 205x395mm cut-out white LED centre light	N	BX	9321001432517	1	-	-
BH4DWE	4 lamps 1570W 180m ³ /h 295x355mm cut-out white LED centre light	N	BX	9321001432531	1	-	-
R622D1	2 lamps, instant heat ducted		NZ BX	9321001243779	1	-	2
R622D2	4 lamps 1240W 135m ³ /h 300x300mm cut-out white		BX	9321001243786	1	-	-
Replacement heat lamps							
L275HLES	275W single pack		BX	9321001160571	1	-	20
L375HLES	375W single pack		BX	9321001160588	1	-	20
MQ275	275W twin pack		BX	9318416018511	1	-	20
Replacement LED centre light							
LR80014K	R80 LED lamp cool white 4000K 600lm 7W		BX	9321001434474	1	12	108

Ventilation

Ceiling sweep fans



CF9JWE



CF12HWE



CF14H4WE



CF12HBS



CF12H316L



CF13HAW

Cat.Nos	White aluminium		Pack	Barcode	Single qty	Inner qty	Outer qty
3 blades							
CF9HWE	900mm hang-sure 4920m ³ /h 360rpm 55W		BX	9321001426523	1	-	-
CF9JWE	900mm J-hook 4920m ³ /h 360rpm 55W		BX	9321001426516	1	-	-
CF12HWE	1200mm hang-sure 10020m ³ /h 320rpm 65W		BX	9321001426561	1	-	-
CF12JWE	1200mm J-hook 10020m ³ /h 320rpm 65W		BX	9321001426554	1	-	-
CF14HWE	1400mm hang-sure 11040m ³ /h 280rpm 65W		BX	9321001426608	1	-	-
CF14JWE	1400mm J-hook 11040m ³ /h 280rpm 65W		BX	9321001426592	1	-	-
4 blades							
CF12H4WE	1200mm hang-sure 10800m ³ /h 290rpm 65W		BX	9321001431503	1	-	-
CF12J4WE	1200mm J-hook 10800m ³ /h 290rpm 65W		BX	9321001431497	1	-	-
CF14H4WE	1400mm hang-sure 11880m ³ /h 255rpm 65W		BX	9321001431527	1	-	-
CF14J4WE	1400mm J-hook 11880m ³ /h 255rpm 65W		BX	9321001431510	1	-	-
430 stainless steel 3 blades							
CF9HBS	900mm hang-sure 4920m ³ /h 360rpm 55W		BX	9321001426547	1	-	-
CF9JBS	900mm J-hook 4920m ³ /h 360rpm 55W		BX	9321001426530	1	-	-
CF12HBS	1200mm hang-sure 10020m ³ /h 320rpm 65W		BX	9321001426585	1	-	-
CF12JBS	1200mm J-hook 10020m ³ /h 320rpm 65W		BX	9321001426578	1	-	-
CF14HBS	1400mm hang-sure 11040m ³ /h 280rpm 65W		BX	9321001426622	1	-	-
CF14JBS	1400mm J-hook 11040m ³ /h 280rpm 65W		BX	9321001426615	1	-	-
304 stainless steel 3 blades							
CF12H304	1200mm hangsure 10020m ³ /h 320rpm 65W		BX	9321001426646	1	-	-
CF12J304	1200mm J-hook 10020m ³ /h 320rpm 65W		BX	9321001426639	1	-	-
CF14H304	1400mm hangsure 11040m ³ /h 280rpm 65W		BX	9321001426684	1	-	-
CF14J304	1400mm J-hook 11040m ³ /h 280rpm 65W		BX	9321001426677	1	-	-
316L marine grade stainless steel 3 blades							
CF12H316L	1200mm hang-sure 10020m ³ /h 320rpm 65W		BX	9321001426660	1	-	-
CF12J316L	1200mm J-hook 10020m ³ /h 320rpm 65W		BX	9321001426653	1	-	-
CF14H316L	1400mm hang-sure 11040m ³ /h 280rpm 65W		BX	9321001426707	1	-	-
CF14J316L	1400mm J-hook 11040m ³ /h 280rpm 65W		BX	9321001426691	1	-	-
Rattan white 4 blades							
CF13HAW	1300mm hang-sure 7800m ³ /h 200rpm 65W		BX	9321001431480	1	-	-

Ventilation

Ceiling sweep fan accessories



CFCLWE



CFOLBS



CFREMOTEH

Cat.Nos	Ceiling sweep fan accessories	Pack	Barcode	Single qty	Inner qty	Outer qty
	Replacement blades					
CFBL9WE	Single blades 900mm aluminium white	BX	9321001426837	1	-	20
CFBL12WE	Single blades 1200mm aluminium white	BX	9321001426851	1	-	20
CFBL14WE	Single blades 1400mm aluminium white	BX	9321001426875	1	-	20
CFBL9BS	Single blades 900mm stainless steel 430	BX	9321001426844	1	-	20
CFBL12BS	Single blades 1200mm stainless steel 430	BX	9321001426868	1	-	20
CFBL14BS	Single blades 1400mm stainless steel 430	BX	9321001426882	1	-	20
CFBL12304	Single blades 1200mm stainless steel 304	BX	9321001426899	1	-	20
CFBL14304	Single blades 1400mm stainless steel 304	BX	9321001426905	1	-	20
CFBL12316L	Single blades 1200mm stainless steel 316L	BX	9321001426912	1	-	20
CFBL14316L	Single blades 1400mm stainless steel 316L	BX	9321001426929	1	-	20
	Extension downrods					
CFDR750HWE	750mm downrod aluminium hang-sure white	BX	9321001426769	1	-	10
CFDR750JWE	750mm downrod aluminium J-hook white	BX	9321001426752	1	-	10
CFDR750HBS	750mm downrod hang-sure stainless steel	BX	9321001426783	1	-	10
CFDR750JBS	750mm downrod J-hook stainless steel	BX	9321001426776	1	-	10
CFDR1500HWE	1500mm downrod aluminium hang-sure white	BX	9321001426806	1	-	10
CFDR1500JWE	1500mm downrod aluminium J-hook white	BX	9321001426790	1	-	10
	Light kits					
CFCLWE	Clipper light kit Ø190mm white finish	BX	9321001426738	1	-	12
CFCLBS	Clipper light kit Ø190mm brushed stainless steel finish	BX	9321001426745	1	-	12
CFOLWE	Oyster light kit Ø245mm white finish	BX	9321001426714	1	-	12
CFOLBS	Oyster light kit Ø245mm brushed stainless steel finish	BX	9321001426721	1	-	12
	Remote control kit					
CFREMOTEH	Remote control hang-sure white	BX	9321001431152	1	-	20
CFREMOTEJ	Remote control J-hook white	BX	9321001431145	1	-	20

Technical information

Data and specifications

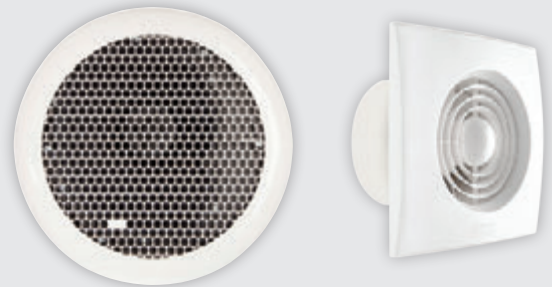
SWITCHES & SOCKETS

Product dimensions, wiring diagrams, mounting centres and dimmer characteristics



EXHAUST FANS

Installation guidelines, compatibility and wiring diagrams

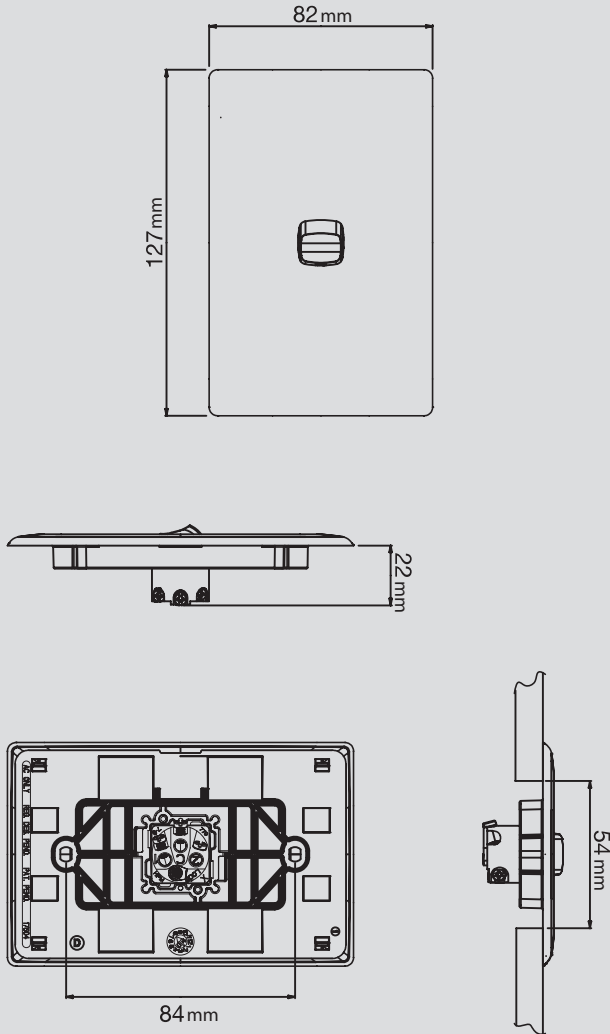


Linea - vertical switches 10A with 84mm mounting centres

Cat No. CDLN770/1

■ Dimensions

Cat No. CDLN770/1

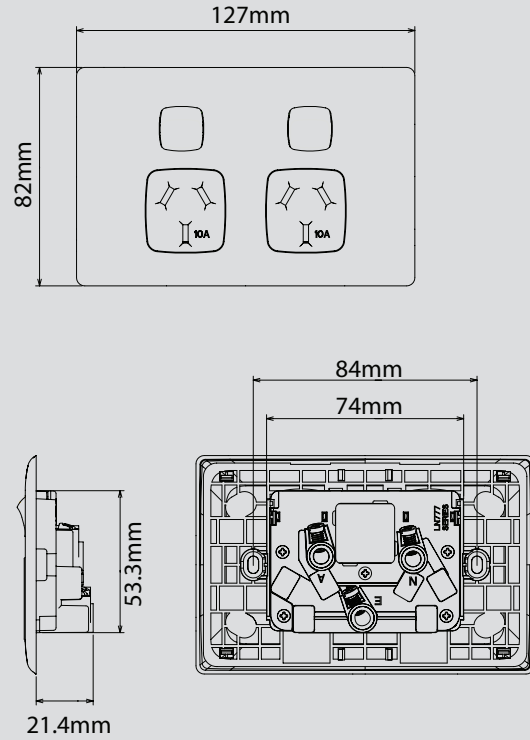


Linea - double powerpoints 10A with 84mm mounting centres

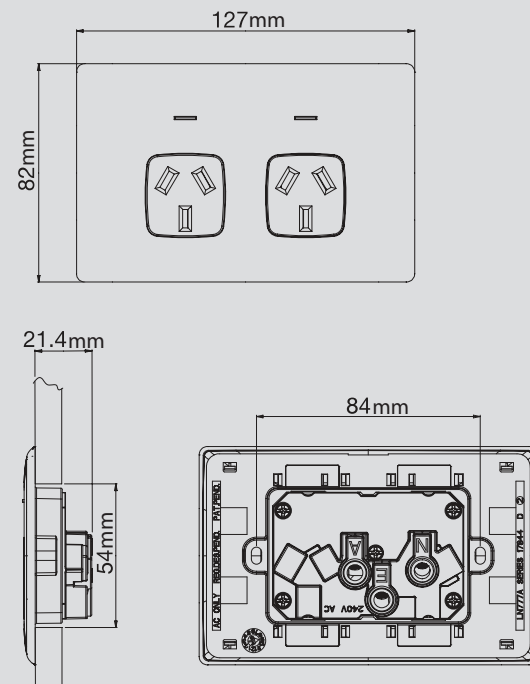
Cat No. CDLN777, CDLN777A

■ Dimensions

Cat No. CDLN777



Cat No. CDLN777A (autoswitch)



Excel - dimmers

Cat No. XL250L, XL250T, XL400L, XL400T

■ Specification table

Cat No.	Type	Maximum load	Minimum load	Incandescent	240V linear halogen	GU10 240V halogen downlights	Low voltage halogen with wirewound (Iron Core) transformers*	Low voltage halogen with electronic transformers	Ceiling fan
XL250L	Leading edge	250VA	10VA	✓	✓	✓	✓	✗	✗
XL250T	Trailing edge	250VA	10VA	✓	✓	✗	✗	✓	✗
XL400L	Leading edge	400VA	10VA	✓	✓	✓	✓	✗	✗
XL400T	Trailing edge	400VA	10VA	✓	✓	✗	✗	✓	✗

■ Note

Some electronic transformers state that they are compatible with Leading Edge Dimmers. However, significant derating of the dimmer is usually required. Therefore, HPM recommends the use of Trailing Edge Dimmers (HPM Cat No. XL250T, XL400T) for these applications. If it is necessary to use a Leading Edge Dimmer, then please refer to the Dimming Electronic Transformers information sheet enclosed with the product.

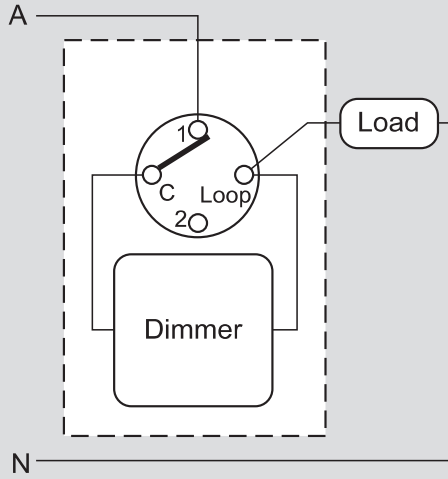
* When using wirewound transformers, ensure the transformers are marked "suitable for dimming" and derate the dimmer by 20%.

Excel - dimmers and fan controllers

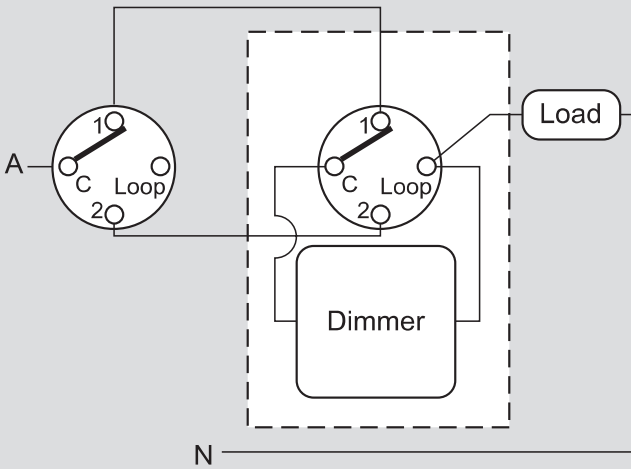
Cat No. XL250L, XL250T, XL400L, XL400T, CDXL300F

Wiring diagrams

One-way switching with dimmer

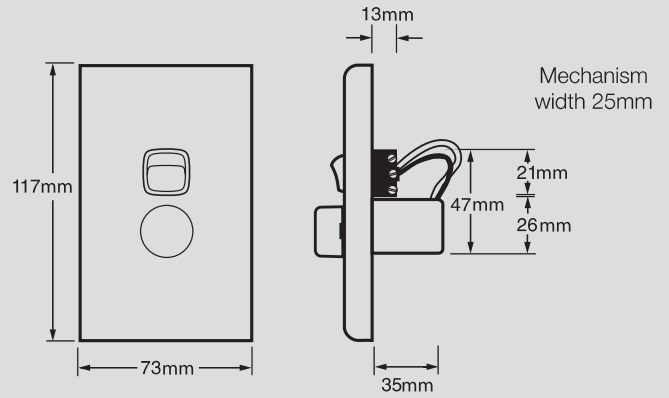


Two-way switching with dimmer

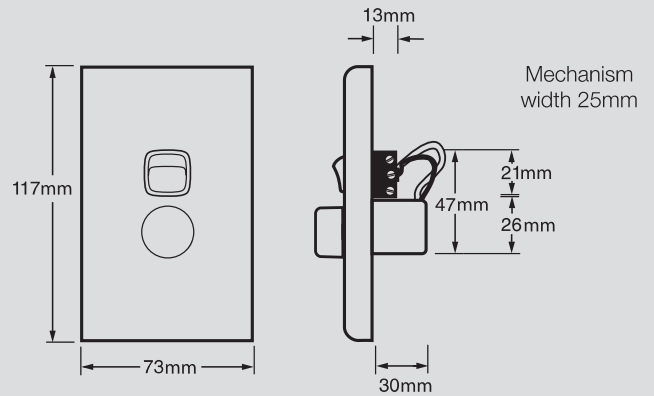


Dimensions

Cat No. CDXL300F



Cat Nos. XL250L, XL250T, XL400L, XL400T

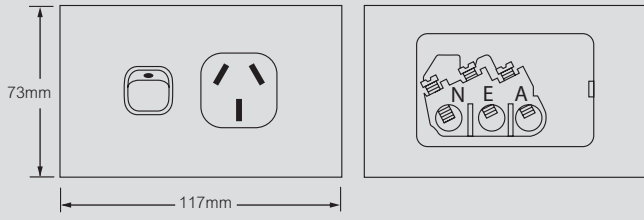


Excel - powerpoints with 84mm mounting centres

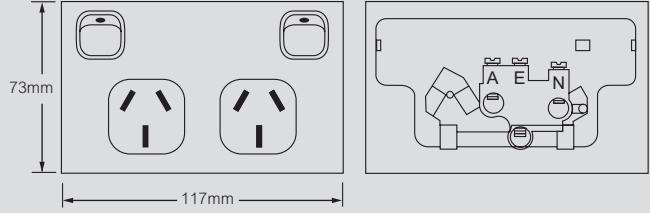
Cat No. CDXL787, CDXL787X, CDXLV787, CDXL777, CDXL777X, CDXLV777

■ Dimensions

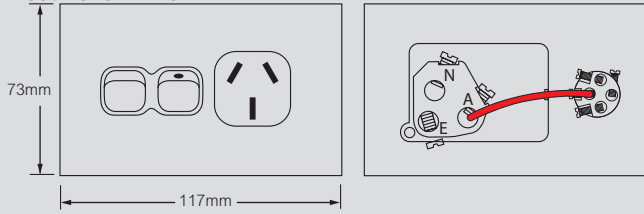
Cat No. CDXL787



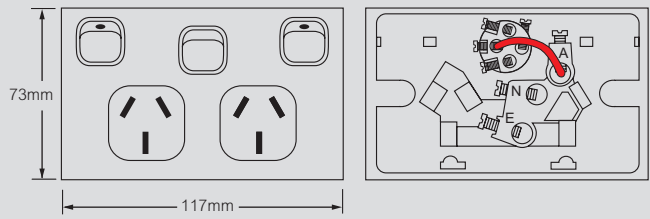
Cat No. CDXL777



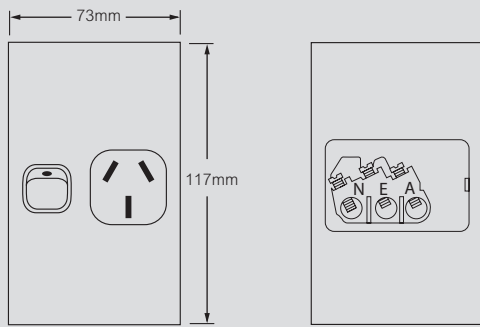
Cat No. CDXL787X



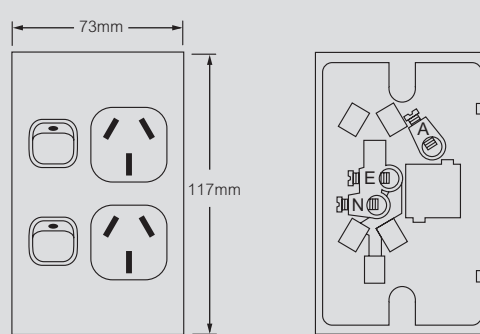
Cat No. CDXL777X



Cat No. CDXLV787



Cat No. CDXLV777

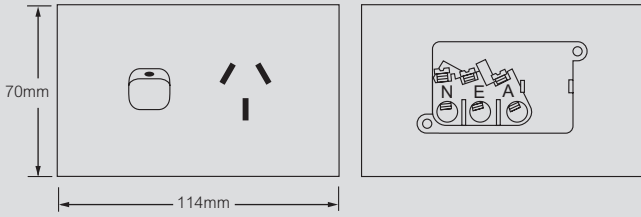


Standard powerpoints with 84mm mounting centres

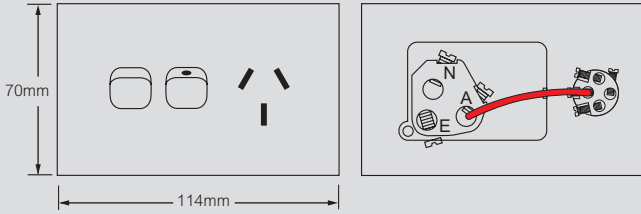
Cat No. CD787, CD787X, CDV787, CD777, CD777X, CDV777

■ Mounting centres: 84mm

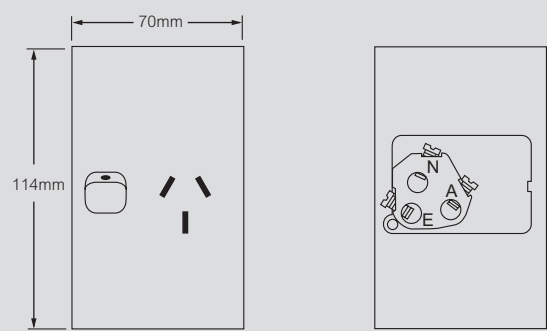
Cat No. CD787



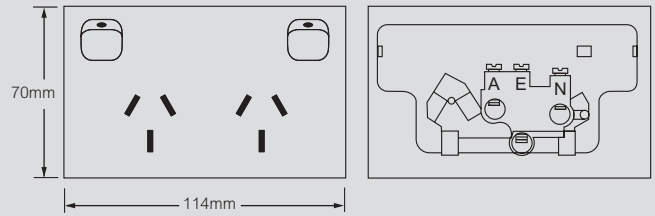
Cat No. CD787X



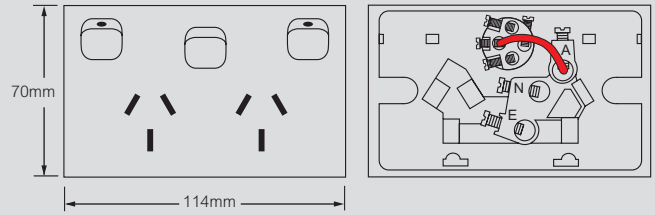
Cat No. CDV787



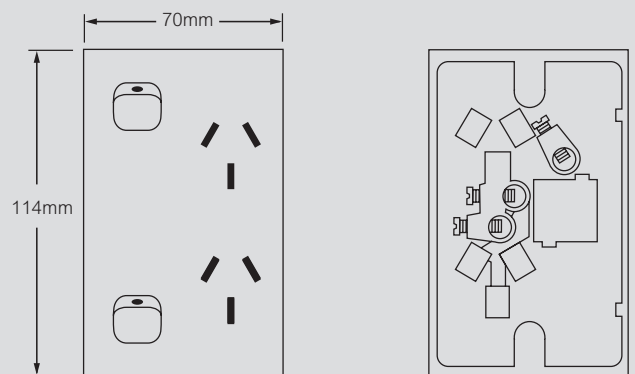
Cat No. CD777



Cat No. CD777X

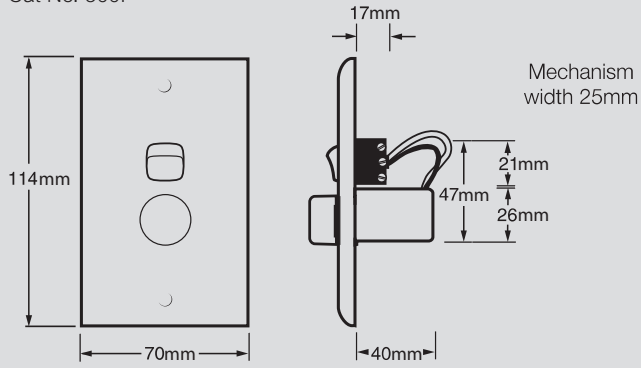


Cat No. CDV777



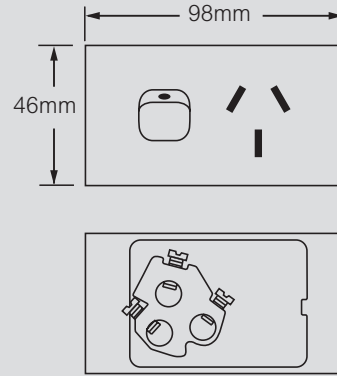
■ Dimensions

Cat No. 300F



■ Mounting centres: 84mm

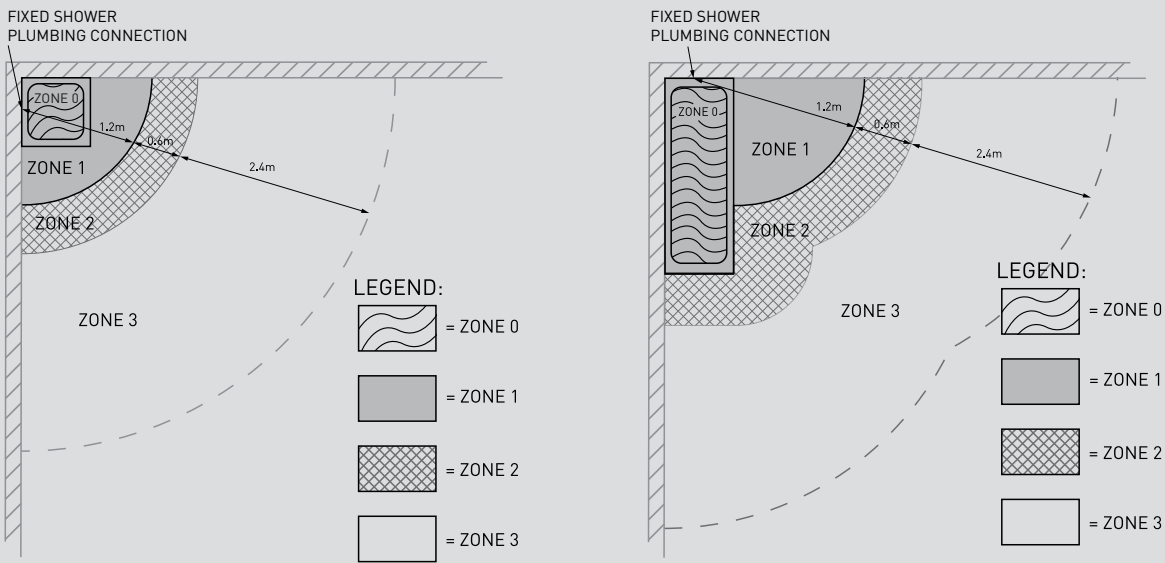
Cat No. 790



Ducted ceiling exhaust fan installation guidelines

Cat No. EFD01 series

Exhaust fan wiring rules

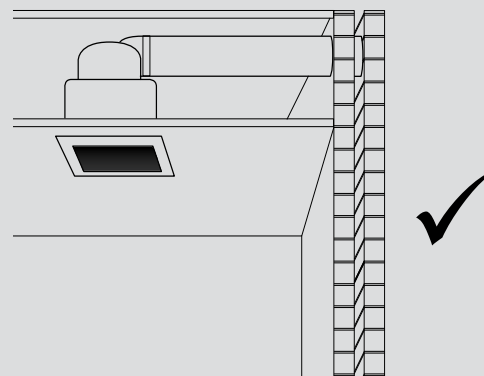
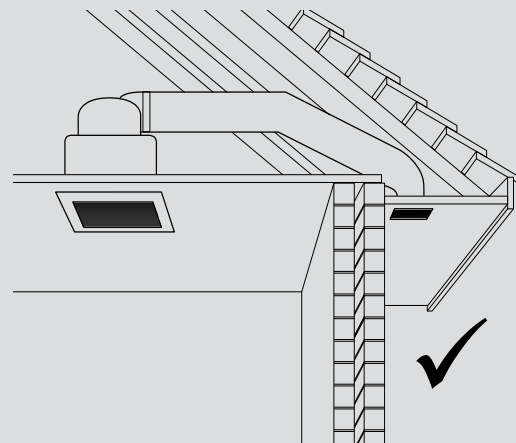


The EFD01 series shall be installed in accordance with the requirements relating to Section 6 Damp Situation of AS/NZS 3000:2007 Wiring Rules. No part of the unit may be located directly above any part of the bath or shower recess or enclosure. Please refer to diagrams: units must be installed within zones 2 and 3 only.

Exhaust fan correct installation:

1. Unit Orientation: the unit must be installed to ensure the housing outlet and ducting is oriented in parallel to any roofing structures or supports. Any 90° bend in the duct will cause performance reduction.
2. Duct Size: we recommend the unit to be installed with 150mm duct to ensure optimum extraction and performance.
3. Cross Ventilation: Air will only be exhausted if there is sufficient flow through the room. Ensure adequate air inlets exist through windows, vents or under the door.
4. Duct Outlet: Airflow will be reduced with pressure differentials between the room and outside air.

The duct outlet must be the same height or lower than the exhaust fan. The duct must not be installed vertically into a roof vent cap.



Time delay module for wall exhaust fans 100mm and 150mm

Cat no. EF100/150TD

Compatibility

EF100/150TD is suitable to be fitted on the following wall exhaust fans. Time delay module allows the fan to run for a set period, adjustable between 1 - 29 min, after the switch has been turned off.



EF100SQWE
EF150SQWE
EFS150SQWE

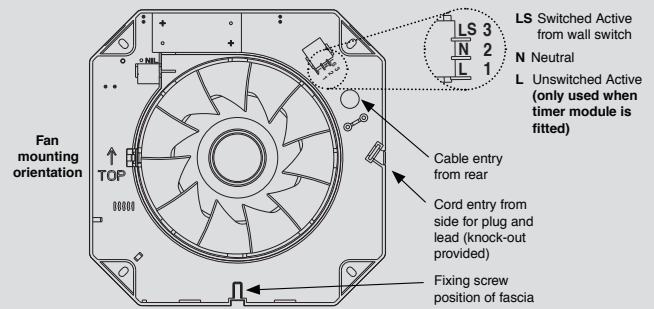


EF100SQSWE
EF150SQSWE
EFS150SQSWE

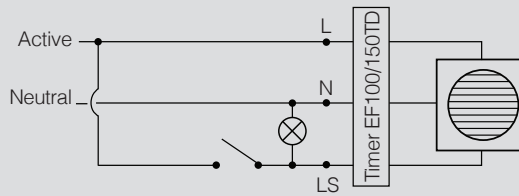


EF100RDWE
EF150RDWE

Fan mounting orientation



Fan with timer module and light fitting



Connection from rear – bring mains wiring through cable entry hole.

Connection from side (Fan only) – use twin flat core (H03VV-H2) or circular core (H05VV-F) 2 x 0.75mm² and place under cable clamp provided.

HPM

The product partner you can TRUST



Whether you are buying, installing or using HPM products you can be assured they comply to all the required Australian and New Zealand standards of manufacturing quality and electrical safety.

HPM features in Prestons, NSW head office:

- local manufacturing of over 4,500 products
- a dedicated team and two accredited NATA laboratories to conduct compliance tests
- over 20 R&D engineers dedicated to the development of new products

All HPM compliance certifications and approvals are available on either the Electrical Regulatory Authorities Council certification database "erac.gov.au/public" or the NSW office of Fair Trading database "eapr.fairtrading.nsw.gov.au/default.aspx." For access to New Zealand Supplier Declarations of Conformity (SDoCs) please visit www.hpm.co.nz

HPM is an active member of:



HPM Legrand Australia

Building 4, Nexus Industry Park
43-47 Lyn Parade
Prestons NSW 2170
1300 369 777
www.hpm.com.au

HPM Legrand New Zealand

106 - 124 Target Road
Glenfield
Auckland 0627
0800 476 009
www.hpm.co.nz