

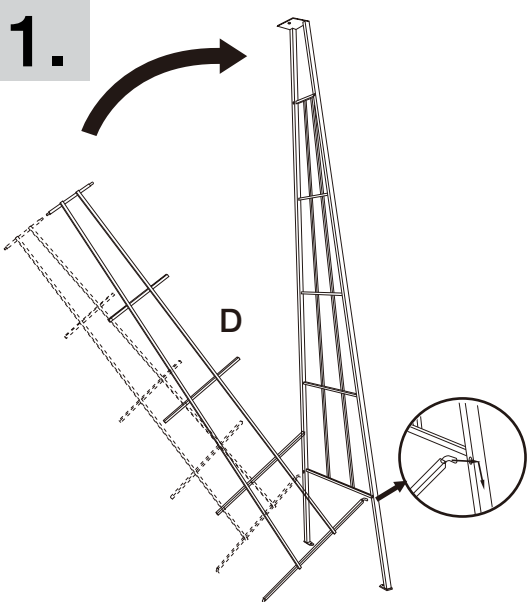
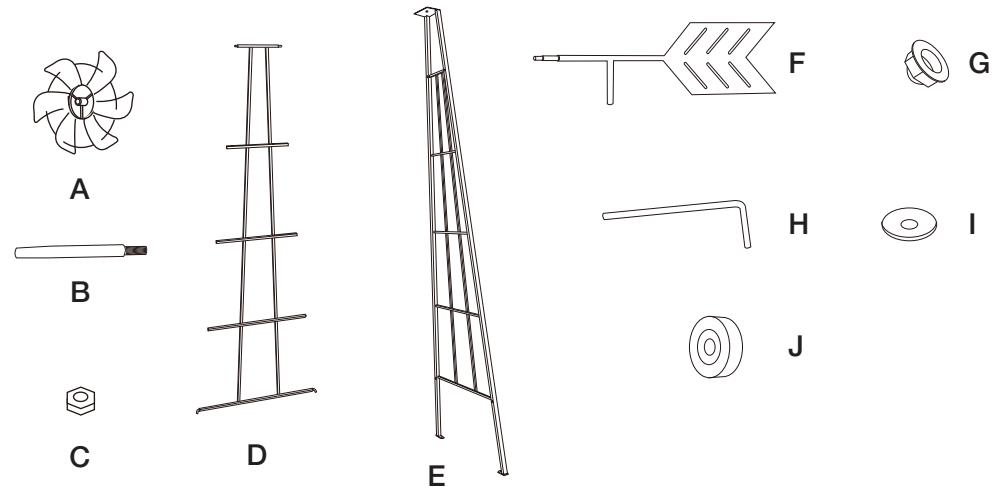


Windmill Obelisk

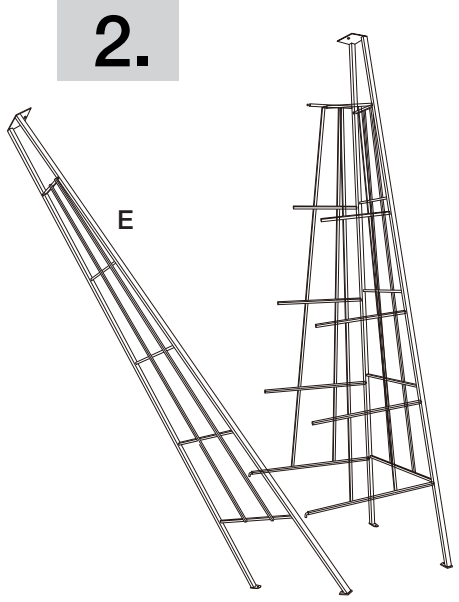
Assembly Instructions

Parts List

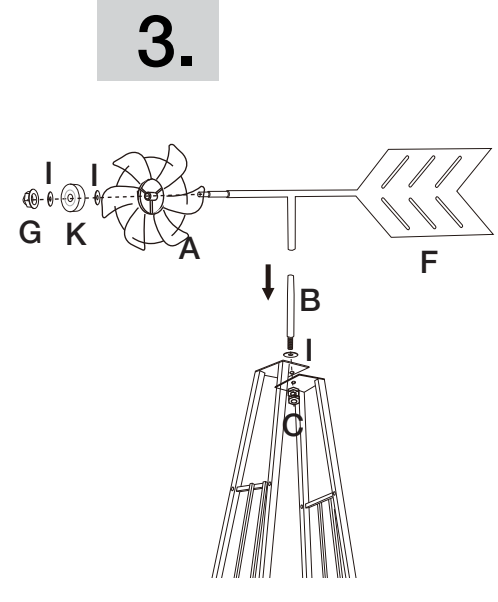
Part #	Description	Quantity
A	Wheel	1
B	Rod	1
C	Nut	2
D	Small Side Panel	2
E	Large Side Panel	2
F	Weathervane	1
G	Washer Nut	1
H	Stake	4
I	Washer	3
J	Cap	1



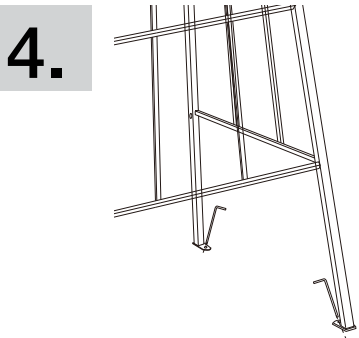
1. Insert bottom end of Small Side Panel (D) into hole at bottom of Large Side Panel (E) at 45° angle then rotate upward. Repeat with the other Small Side Panel (D).



2. Insert bottom of the other Large Side Panel (E) into the Small Side Panels (D) at a 45° angle and rotate upward. The four sides should now form a pyramid.



3. Insert the threaded end of Rod (B) through part (I), the hole in the top plate of both Large Side Panels (E) and connect with two Nuts (C). Slide the Weathervane (F) into the Rod (B). Complete the windmill assembly by placing Wheel (A) onto the threaded end of Weather-vane (F), attach Washer (I), Cap (J), and Washer (I) then connecting with Washer Nut (G).



4. If Windmill Obelisk is placed on soft ground it may be anchored with Stakes (H) through each of the four feet



Questions, problems, or missing parts? Before returning to your retailer, call our customer service department at 1-800-543-0031, 8 a.m.-5 p.m., EST, Monday-Friday.