

WARRANTY

The customer shall benefit from the legal warranty against latent defects as specified in sections 1641 to 1649 of the Belgian Civil Code if the latent defect exists at the time of delivery and if the latent defect makes the unit unfit for the use for which it was designed or substantially reduces its use. Latent defects must be notified by registered letter to Continental within one month from the time the customer discovers it or ought reasonably to have discovered it. If the customer is a consumer, Continental shall be liable to the customer for any non-conformity which exists at delivery and appears within two years thereof. Any non-conformity shall be notified by registered letter to Continental within one month from the time the customer discovers it.

DISCLAIMER

The information in this document is subject to change without notice and does not represent a commitment on the part of the vendor. No warranty or representation, either expressed or implied, is made with respect of quality, accuracy or fitness for any particular purpose of this document. Without written permission from Continental, any forms of reproduction, spreading, distribution are prohibited. Continental reserves the rights to modify or improve the product without any prior notification. In no event will the supplier be liable for direct, indirect or special, incidental or consequential damages arising out of the user or inability to use this product or documentation, even if advised of the possibility of such damages. This document contains materials protected by copyright.

BLUETOOTH

The Bluetooth® word mark and logos are owned by the Bluetooth® SIG, Inc. and any use of such marks by Continental is under license. Other trademarks and trade names are those of their respective owners.

CE

Hereby, Continental declares that this Car & Connected Car Module is compliant with essential requirements and other relevant provisions of directive 2014/53/EU. The ACCM can be operated in at least one Member State without infringing applicable requirements on the use of a radio spectrum

FCC (FEDERAL COMMUNICATIONS COMMISSION)

WARNING: This equipment may generate or use radio frequency energy. Changes or modifications to this equipment may cause harmful interference unless the modifications are expressly approved in the instruction manual. The user could lose the authority to operate this equipment if an unauthorized change or modification is made. The device complies with Part 15 of FCC's rules. Operation is subject to the following two conditions: (i) this device may not cause harmful interference and (ii) this device must accept any interference received, including interference that may cause undesirable operation.

MANUAL REQUIREMENTS ACCORDING 15.19/RSS-GEN

This device complies with Part 15 of the FCC Rules [and with Industry Canada licence-exempt RSS standard(s)]. Operation is subject to the following two conditions: (1) this device may not cause harmful interference, and (2) this device must accept any interference received, including interference that may cause undesired operation.

MANUAL REQUIREMENTS ACCORDING 15.21

Changes or modifications made to this equipment not expressly approved by Continental Automotive Technologies GmbH may void the FCC authorization to operate this equipment.

FCC RF EXPOSURE REQUIREMENTS

This equipment complies with FCC and IC radiation exposure limits set forth for an uncontrolled environment. This equipment should be installed and operated with minimum distance of 20cm between the radiator and your body. This transmitter must not be co-located or operating in conjunction with any other antenna or transmitter.

CORRECT DISPOSAL OF THIS PRODUCT (WASTE ELECTRICAL AND ELECTRONICS EQUIPMENT)

This marking shown on the product or its literature indicates that it should not be disposed with other household wastes at the end of its working life. To prevent possible harm to the environment or human health from uncontrolled waste disposal, please separate this from other types of wastes and recycle it responsibly.

COPYRIGHTS

Copyright © 2015 Continental. All rights reserved. No part of this manual may be reproduced or transmitted in any means or for any purpose without the express written content of Continental. All trademarks, product names appearing in this document are registered property of their respective owners.



Access and Connected Car Module (ACCM6.1)

INSTALLATION GUIDE v1.0 (March 2023)

INTRODUCTION

Continental is a virtual key enabler. the **Car & Connected Car Module - ACCM** allow vehicle access, authorization to start and vehicle data for any vehicle fleet management type.

Content of the box	Specification
1 ACCM	Electric Power 12Vcc Consumption in stand-by mode < 8 mA Operating temperature - 25°C ≈ + 55°C Dimensions 131.6 x 61 x 37.6 mm Weight 130g Data transmission BLE - Bluetooth Low Energy and LTE
1 Power cable (OBDII connector)	

ANTENNA FREQUENCY AND MAX POWER

Model	Region (ACCM reference)	Radio access technology	supported bands	Frequencies (MHz)	Max Power (dBm)
BGM123A		BLE		2402 ~ 2480	4.08
LARA-R600	Global coverage	4G - LTE	1	2100	23
			3	1800	23
			7	2600	23
			20	800	33
			40	2300	30
			2	1900	23
			4	1700	23
			5	850	23
			26	850	
			12	700	
13	700				

BEFORE YOU BEGIN

- We advise our customers to have the ACCM fitted by a professional.
- Never remove the cover of the ACCM.
- Before you install the individual components, check that the installation area has been selected in such a way that:
 - The cable length is sufficient to connect later every element: power cable and antenna (if necessary)
 - for a car equipped with a keyless start system, the location where you plan to install the ACCM must be within the reception area of the keyless system of the car. Use therefore the original key and place it at the chosen installation area and check immediately that the engine can be started.
 - Do not install any component in the airbag deployment area.
 - Do not install the ACCM against a large metal surface in the car.
 - Once the installation is completed, make sure that no cables are pinched or trapped.
 - In case you would like to buy additional keys and have them programmed to the vehicle's immobilizer system in the future, some manufacturers require that all original keys are present in the car to be able to get an additional key. It will be necessary that you participate in the coding of the new key with a virtual key being active and connected to the car to perform the actions required by the dealer.
- Continental is not responsible for the damage caused to the vehicle and/or accessories with are the results of a non-respect of the instructions of this manual.

WARNING

Continental AG and its affiliates should not be held liable towards end-users for third parties prejudice caused by misuse of the product. We advise our customers to have the ACCM fitted by a professional.

IC REQUIREMENTS

This device contains licence-exempt transmitter(s)/receiver(s) that comply with Innovation, Science and Economic Development Canada's licence-exempt RSS(s). Operation is subject to the following two conditions:

- 1) This device may not cause interference.
- 2) This device must accept any interference, including interference that may cause undesired operation of the device.

L'émetteur/récepteur exempt de licence contenu dans le présent appareil est conforme aux CNR d'Innovation, Sciences et Développement économique Canada applicables aux appareils radio exempts de licence. L'exploitation est autorisée aux deux conditions suivantes :

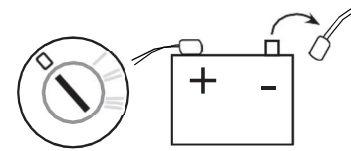
- 1) L'appareil ne doit pas produire de brouillage;
- 2) L'appareil doit accepter tout brouillage radioélectrique subi, même si le brouillage est susceptible d'en compromettre le fonctionnement.

IMPORTANT REMARKS

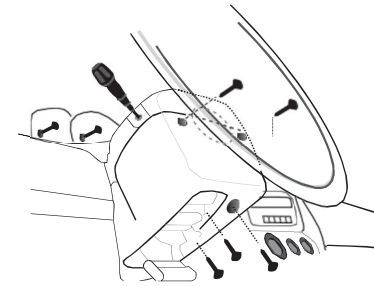
- Placing the ACCM under or next to any large metal surface or an airbag could affect the reception of the ACCM.
- With the keyless start system, the vehicle doors can be opened without need for the driver to physically push a button on the key fob to lock or unlock the doors. To start or to stop the engine, there is no need to insert a key in the barrel to turn on the ignition.
- Installation steps 1 and 2 (see below) must only be performed for cars not equipped with a keyless start system. If the car is equipped with a keyless system, go directly to step 3.

INSTALLATION STEPS:

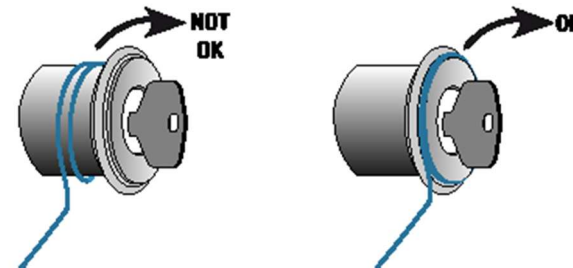
Disconnect the battery of the car.



1. Disassemble the shroud for easy access to the vehicle's ignition switch. Pull the steering wheel in your direction to its maximum.



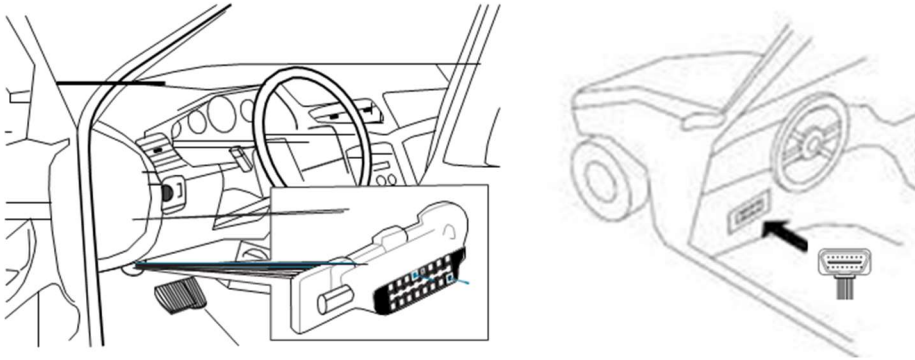
2. Place the ring of the antenna around the vehicle's ignition switch as shown below.



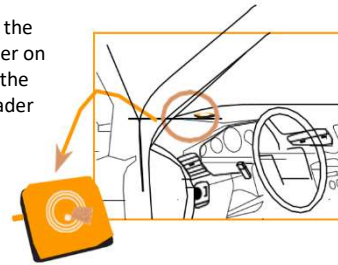
Fix and tape the ring around the ignition, excess cable can be taped together but may not be turned around (one rotation maximum). When using the ring method for installing the ACCM the ring MUST be taped in front of the factory receiver ring. It CAN NOT be on top of, or behind the factory receiver ring. See illustration above. The antenna cable must follow existing steering column cables to avoid rupture while closing the shroud or moving the steering wheel.

Reassemble the shroud.

3. Connect now the ACCM to the OBDII connector in the car. The OBD port is generally located in the driver cabin, between the door and the steering column.



4. Place the NFC reader (optional) on the bottom left corner of the windscreen. Use the provided sticker and tape to fix the reader on the windscreen. Place the sticker on the windscreen and use the tape to fix the reader on the sticker. The white side of the reader must be faced to the car. For your convenience, you can also decide to place the reader on the top left corner of the windscreen.



5. Reconnect the vehicle battery.
6. Validate that the ACCM has a power connection (LEDs on side). You are now ready to test the ACCM with a virtual key on a smartphone equipped with the Continental mobile application.
7. Fix the ACCM behind the dashboard.

