



PHOTOSMART 5520 e-ALL-IN-ONE SERIES

Setup

Unpack and power on your printer (see setup flyer). Then follow instructions and animations on the printer display to complete the printer setup.

Electronic Help

The electronic Help is automatically installed during printer software installation. Electronic Help includes instructions on product features and troubleshooting, with additional links to online content. It also provides product specifications, legal notices, environmental, regulatory, and support information.

Windows: After software installation, click **Start > All Programs > HP > HP Photosmart 5520 series > Help**.

Mac: During software installation, in the screen showing recommended software, select **HP Recommended Software**, and then finish software installation.

- **Mac OS X v10.6:** Choose **Mac Help** from **Help**. In the **Help Viewer**, click and hold the **Home** button, and then choose the Help for your device.
- **Mac OS X v10.7:** Choose **Help Center** from **Help**, click **Help for all your apps**, and then choose the Help for your device.



To find the European Union Regulatory Notice statement and compliance information, go to the electronic Help, click **Appendix > Technical information > Regulatory notices > European Union Regulatory Notice**. The Declaration of Conformity for this product is available at the following web address: www.hp.eu/certificates.

Readme

The Readme file contains HP support contact information, operating system requirements, and the most recent updates to your product information.

Windows: Insert software CD. On software CD locate ReadMe.chm. Click ReadMe.chm to open and then select ReadMe in your language.

Mac: Insert the software CD, and then double-click the Read Me folder located at the top-level of the software CD.

No CD/DVD drive?

For computers without a CD/DVD drive, please go to www.hp.com/support to download and install the software.

Register your printer

Get quicker service and support alerts by registering at www.register.hp.com.

Ink Usage

Ink from the cartridges is used in the printing process in several ways, including in the initialization process, which prepares the printer and cartridges for printing, and in the printhead servicing process, which keeps print nozzles clear and ink flowing smoothly. In addition, some residual ink is left in the cartridge after it is used. For more information, go to: www.hp.com/go/inkusage.

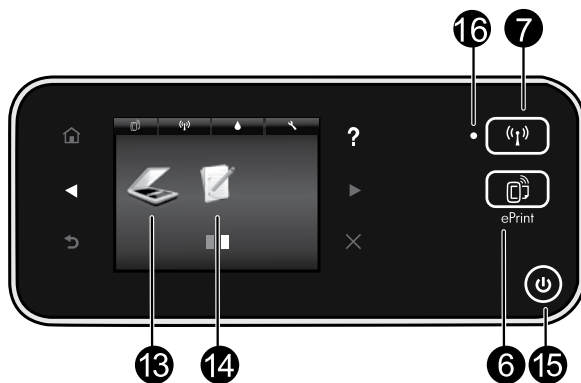
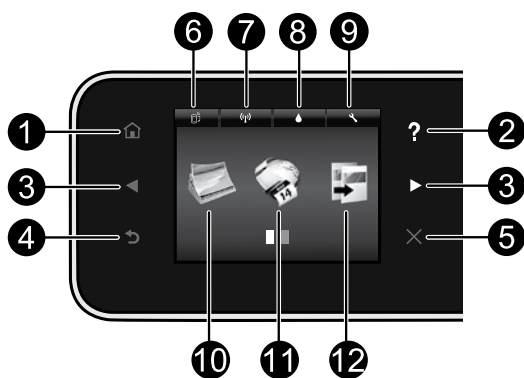


CX042-90025

Printed in [English] Printed in [French]
Printed in [Spanish]

Get to know your HP Photosmart

English



Control panel buttons:

1. **Home:** Returns you to the Home screen.
2. **Help:** On the Home screen, shows all Help topics. On other screens, shows Help for that screen.
3. **Directional buttons:** Allow you to navigate through two home screens, photos, print previews, apps, and horizontal menu options.
4. **Back:** Returns you to the previous screen.
5. **Cancel:** Stops the current operation.
6. **ePrint icon and ePrint button:** Displays the printer's email address, ePrint status, and ePrint feature. You can change ePrint settings, or print an Info page.
7. **Wireless icon and Wireless button:** Displays wireless status, IP address, network name, hardware address (MAC), and Wireless Direct status. You can change the wireless settings or print a wireless test report to help diagnose network connection issues.
8. **Ink icon:** Shows estimated ink levels by cartridge.
9. **Settings icon:** You can change the Sleep mode, Auto Power-off feature, or other settings from the **Preferences** menu and use tools to perform maintenance functions.
10. **Photo:** Print photos directly from a memory card in various sizes and papers. Insert your memory card into the memory card slot. Touch **View & Print** to browse and print photos. Use the **Edit** menu to rotate, crop, or fix a photo.
11. **Apps:** Provides a quick and easy way to access and print information from the web, such as maps, coloring pages, puzzles, and more.
12. **Copy:** Make 1-sided or 2-sided color or black copies. Touch the **Settings** button to change paper settings (size, type, resize, margins) and image quality (lighten/darken, enhancements).
13. **Scan:** Select a destination by touching **Email**, **Memory Card**, or **Computer**. You can also start a scan from the computer software, which provides more advanced features.
14. **Quick Forms:** You can print calendars, check lists, games, notebook paper, graph paper, and music paper.
15. **On button.**

16. Wireless status light:

- Solid blue light indicates that wireless connection has been established and you can print.
- Slow blinking light indicates that wireless is on, but the printer is not connected to a network. Make sure your printer is within the range of the wireless signal.
- Fast blinking light indicates wireless error. Refer to the message on the printer display.

Setup and troubleshooting

If you are unable to print...

Check for error messages and resolve them. If you are still unable to print, try the following in order:

Windows

Make sure that your HP Photosmart is set as the default printer and is not offline.

To do this:

1. On the Windows taskbar, click **Start**.
2. Then click:
 - **Devices and Printers** (Windows 7®)
 - **Printers** (Windows Vista®)
 - **Control Panel**, and then click **Printers and Faxes** (Windows XP®)

Look for your printer to see if it has a check mark in a circle next to it. If not, right-click the printer icon and select **Set as default printer** from the menu.

To check that your printer is not offline, right-click the printer icon and ensure that **Use Printer Offline** and **Pause Printing** are **not** selected.

If the HP printer software installation failed:

1. Remove the CD from your computer's CD drive, and then disconnect the printer from the computer.
2. Restart the computer.
3. Temporarily disable any software firewall and close any anti-virus software.
4. Insert the printer software CD into your computer's CD drive, then follow the onscreen instructions to install the printer software. Do not connect the USB cable until you are told to do so.
5. After the installation finishes, restart the computer and any security software you disabled or closed.

Mac

Check your print queue:

1. In System Preferences, click:
 - **Print & Fax** (Mac OS X v10.6)
 - **Print & Scan** (Mac OS X v10.7)
2. Click the **Open Print Queue** button.
3. Click a print job to select it.
4. Use the following buttons to manage the print job:
 - **Delete:** Cancel the selected print job.
 - **Resume:** Continue a paused print job.
 - If you made any changes, try to print again.

Restart and reset:

1. Restart the computer.
2. Reset the printer:
 - a. Turn off the printer and unplug the power cord.
 - b. Wait a minute, then plug the power cord back in and turn on the printer.

If you are still unable to print, uninstall and reinstall the HP printer software.

To uninstall the software:

1. Disconnect the printer from your computer.
2. Open the Applications: Hewlett-Packard folder.
3. Double-click **HP Uninstaller**. Follow the onscreen instructions.

To install the software:

1. Insert the CD into your computer's CD drive.
2. On the desktop, open the CD, then double-click **HP Installer**.
3. Follow the onscreen instructions.

Power specifications

CQ191-60017

- Input voltage: 100-240 Vac (+/- 10%)
- Input frequency: 50/60 Hz (+/- 3 Hz)

CQ191-60018

- Input voltage: 200-240 Vac (+/- 10%)
- Input frequency: 50/60 Hz (+/- 3 Hz)

Note: Only use this printer with the power cord supplied by HP.

Networked printer use

Change from USB to wireless network connection

If you initially set up your printer using a USB connection to your computer, you can switch the connection to a wireless network connection by following these steps.

Windows

To change from USB to wireless connection:

1. From your computer, click **Start > All Programs > HP > HP Photosmart 5520 series > Printer Setup & Software**.
2. Click **Convert a USB connected printer to wireless**. Keep your USB cable connected until prompted to disconnect it.
3. Follow the instructions on the screen.

Mac

To change from USB to wireless connection:

1. From your printer's control panel, touch the **Wireless** button.
2. Touch **Wireless Setup Wizard**.
3. Follow the steps in the Wireless Setup Wizard to connect the printer.
4. Use **HP Setup Assistant** in Applications/Hewlett-Packard/Device Utilities to change the software connection to this printer to wireless.

Share your printer with multiple computers

If you already have your printer connected to your wireless network and want to share it with the other computers connected to the same network, you need to install the printer software on other computers. During the software installation, select the **Wireless** connection when prompted, and then follow the instructions on the screen to finish installing the printer software.

Connect wirelessly to the printer without a router

HP Wireless Direct allows your Wi-Fi devices (for example: computers or smartphones) to print directly to your printer wirelessly, without a wireless router, from your Wi-Fi enabled devices. To set up and use Wireless Direct:

1. From your printer's control panel, touch the **Wireless** button.
2. Touch **Settings**.
3. Touch **Wireless Direct**, touch **On (No Security)** or **On (With Security)**.
Note: If you turn on security, only users with the password will be able to print wirelessly to the printer. If you turn off security, anyone with a Wi-Fi device within Wi-Fi range of the printer will be able to connect to the printer. HP recommends that you turn on security for Wireless Direct.
4. Touch **Display Name** to display the Wireless Direct name.
5. Touch **Display Password** to display the Wireless Direct password if you have the Wireless Direct security on.
6. From your wireless computer or mobile device, turn on the Wi-Fi radio, search for and connect to the Wireless Direct name (for example: HP-Print-xx-Photosmart-5520). Then print as you normally do from your computer or mobile device.

If you have Wireless Direct security on, enter the Wireless Direct password when prompted.

Note:

- If you want to print from a mobile device, you need to have a print application on your mobile device.
- If you want to print from your computer, you need to install the printer software.
- The Wireless Direct connection is available even if the printer is also connected to a wireless home network.
- You cannot access the Internet through the Wireless Direct connection.

If you cannot connect the printer to the network...

- **Get help from Wireless Printing Center:** The HP Wireless Printing Center website (www.hp.com/go/wirelessprinting) is an online reference guide to setting up your home network and HP printer for wireless printing. On this website, you will find information that can help you prepare your wireless network, set up or reconfigure your printer, and troubleshoot your setup (including using the Windows Network Diagnostic Utility).
- **Confirm your printer's wireless radio is on.** From the printer's control panel, touch the **Wireless** button, if it shows **Wireless Off**, touch **Turn On**.
- **Confirm that your printer is on your network.** To do this:
 1. From your printer's control panel, touch the **Wireless** button.
 2. Touch **Settings**, touch the down arrow button to scroll through options, and then touch **Print Wireless Test Report**.
 3. The Wireless Test Report is automatically printed.
 - Check the top of the report to see if something failed during the test.
 - See the Diagnostics Results section for all tests that were performed, and whether or not your printer passed.
 - Find out the Network Name (SSID) to which your printer is currently configured for connection from the Current Configuration section.

Note: Your computer might be connected to a Virtual Private Network (VPN). Temporarily disable the VPN before proceeding with the installation. Being connected to a VPN is like being on a different network; you will need to disconnect the VPN to access the product over the home network.

- **Security software might be causing problems.** Security software installed on your computer is designed to protect your computer against threats that can come from outside your home network. A security software suite can contain different types of software such as an anti-virus, anti-spyware, firewall and child protection applications. Firewalls can block communication between devices connected on the home network and can cause problems when using devices like network printers and scanners.

Problems that you might see include:

- The printer cannot be found over the network when installing the printer software.
- You suddenly cannot print to the printer even though you could the day before.
- The printer shows that it is OFFLINE in the Printer and Faxes folder.
- The software shows the printer status is "disconnected" even though the printer is connected to the network.
- If you have an All-in-One, some functions work, like print, and others don't, like scan.

A quick troubleshooting technique is to disable your firewall and check if the problem goes away.

Here are some basic guidelines for using security software:

- If your firewall has a setting called **trusted zone**, use it when your computer is connected to your home network.
- Keep your firewall up to date. Many security software vendors provide updates which correct known issues.
- If your firewall has a setting to **not show alert messages**, you should disable it. When installing the HP software and using the HP printer, you may see alert messages from your firewall software. You should allow any HP software which causes an alert. The alert message may provide options to **allow**, **permit**, or **unblock**. Also, if the alert has a **remember this action** or **create a rule for this selection**, make sure to select it. This is how the firewall learns what can be trusted on your home network.

If you still cannot connect the printer to the network, go to www.hp.com/go/wirelessprinting, click **Firewall Help**, you can find more solutions there.

HP printer limited warranty statement

HP product	Duration of limited warranty
Software Media	90 days
Printer	1 year
Print or Ink cartridges	Until the HP ink is depleted or the "end of warranty" date printed on the cartridge has been reached, whichever occurs first. This warranty does not cover HP ink products that have been refilled, remanufactured, refurbished, misused, or tampered with.
Printheads (only applies to products with customer replaceable printheads)	1 year
Accessories	1 year unless otherwise stated

A. Extent of limited warranty

- Hewlett-Packard (HP) warrants to the end-user customer that the HP products specified above will be free from defects in materials and workmanship for the duration specified above, which duration begins on the date of purchase by the customer.
- For software products, HP's limited warranty applies only to a failure to execute programming instructions. HP does not warrant that the operation of any product will be interrupted or error free.
- HP's limited warranty covers only those defects that arise as a result of normal use of the product, and does not cover any other problems, including those that arise as a result of:
 - Improper maintenance or modification;
 - Software, media, parts, or supplies not provided or supported by HP;
 - Operation outside the product's specifications;
 - Unauthorized modification or misuse.
- For HP printer products, the use of a non-HP cartridge or a refilled cartridge does not affect either the warranty to the customer or any HP support contract with the customer. However, if printer failure or damage is attributable to the use of a non-HP or refilled cartridge or an expired ink cartridge, HP will charge its standard time and materials charges to service the printer for the particular failure or damage.
- If HP receives, during the applicable warranty period, notice of a defect in any product which is covered by HP's warranty, HP shall either repair or replace the product, at HP's option.
- If HP is unable to repair or replace, as applicable, a defective product which is covered by HP's warranty, HP shall, within a reasonable time after being notified of the defect, refund the purchase price for the product.
- HP shall have no obligation to repair, replace, or refund until the customer returns the defective product to HP.
- Any replacement product may be either new or like-new, provided that it has functionality at least equal to that of the product being replaced.
- HP products may contain remanufactured parts, components, or materials equivalent to new in performance.
- HP's Limited Warranty Statement is valid in any country where the covered HP product is distributed by HP. Contracts for additional warranty services, such as on-site service, may be available from any authorized HP service facility in countries where the product is distributed by HP or by an authorized importer.

B. Limitations of warranty

TO THE EXTENT ALLOWED BY LOCAL LAW, NEITHER HP NOR ITS THIRD PARTY SUPPLIERS MAKES ANY OTHER WARRANTY OR CONDITION OF ANY KIND, WHETHER EXPRESS OR IMPLIED WARRANTIES OR CONDITIONS OF MERCHANTABILITY, SATISFACTORY QUALITY, AND FITNESS FOR A PARTICULAR PURPOSE.

C. Limitations of liability

- To the extent allowed by local law, the remedies provided in this Warranty Statement are the customer's sole and exclusive remedies.
- TO THE EXTENT ALLOWED BY LOCAL LAW, EXCEPT FOR THE OBLIGATIONS SPECIFICALLY SET FORTH IN THIS WARRANTY STATEMENT, IN NO EVENT SHALL HP OR ITS THIRD PARTY SUPPLIERS BE LIABLE FOR DIRECT, INDIRECT, SPECIAL, INCIDENTAL, OR CONSEQUENTIAL DAMAGES, WHETHER BASED ON CONTRACT, TORT, OR ANY OTHER LEGAL THEORY AND WHETHER ADVISED OF THE POSSIBILITY OF SUCH DAMAGES.

D. Local law

- This Warranty Statement gives the customer specific legal rights. The customer may also have other rights which vary from state to state in the United States, from province to province in Canada, and from country to country elsewhere in the world.
- To the extent that this Warranty Statement is inconsistent with local law, this Warranty Statement shall be deemed modified to be consistent with such local law. Under such local law, certain disclaimers and limitations of this Warranty Statement may not apply to the customer. For example, some states in the United States, as well as some governments outside the United States (including provinces in Canada), may:
 - Preclude the disclaimers and limitations in this Warranty Statement from limiting the statutory rights of a consumer (e.g., the United Kingdom);
 - Otherwise restrict the ability of a manufacturer to enforce such disclaimers or limitations; or
 - Grant the customer additional warranty rights, specify the duration of implied warranties which the manufacturer cannot disclaim, or allow limitations on the duration of implied warranties.
- THE TERMS IN THIS WARRANTY STATEMENT, EXCEPT TO THE EXTENT LAWFULLY PERMITTED, DO NOT EXCLUDE, RESTRICT, OR MODIFY, AND ARE IN ADDITION TO, THE MANDATORY STATUTORY RIGHTS APPLICABLE TO THE SALE OF THE HP PRODUCTS TO SUCH CUSTOMERS.

HP Limited Warranty

Dear Customer,

You will find below the name and address of the HP entity responsible for the performance of the HP Limited Warranty in your country.

You may have additional statutory rights against the seller based on your purchase agreement. Those rights are not in any way affected by this HP Limited Warranty.

Ireland: Hewlett-Packard Ireland Limited, 63-74 Sir John Rogerson's Quay, Dublin 2

United Kingdom: Hewlett-Packard Ltd, Cain Road, Bracknell, GB-Berks RG12 1HN

Malta: Hewlett-Packard International Trade B.V., Malta Branch, 48, Amery Street, Sliema SLM 1701, MALTA

South Africa: Hewlett-Packard South Africa Ltd, 12 Autumn Street, Rivonia, Sandton, 2128, Republic of South Africa



PHOTOSMART 5520 e-ALL-IN-ONE SERIES

Configuración

Retire la impresora del embalaje y enciéndala (consulte el prospecto de instalación). Después, siga las instrucciones y animaciones que aparecen en la pantalla de la impresora para completar la configuración de la misma.

Ayuda electrónica

La ayuda electrónica se instala automáticamente durante la instalación del software de la impresora. La ayuda electrónica incluye instrucciones sobre las funciones del producto y la detección de averías, con enlaces adicionales al contenido en línea. También ofrece especificaciones del producto, avisos legales e información medioambiental, regulatoria y de asistencia técnica.

Windows: Después de instalar el software, haga clic en **Inicio > Todos los programas > HP > HP Photosmart 5520 series > Ayuda**.

Mac: Durante la instalación del software, en el software recomendado que se muestra en la pantalla, seleccione **Software recomendado de HP** y luego finalice la instalación del software.

- **Mac OS X v10.6:** Elija **Ayuda Mac** en **Ayuda**. En el **Visor de ayuda**, haga clic y mantenga pulsado el botón **Inicio**, luego elija la Ayuda para su dispositivo.
- **Mac OS X v10.7:** Elija **Centro de ayuda** en **Ayuda**, haga clic en **Ayuda para todas sus aplicaciones**, y luego elija la Ayuda para su dispositivo.



Para encontrar la información sobre los reglamentos de la Unión Europea, vaya a la ayuda electrónica, haga clic en **Apéndice > Información técnica > Avisos reglamentarios > Aviso reglamentario de la Unión Europea**. La Declaración de conformidad para este producto está disponible en la siguiente dirección Web: www.hp.eu/certificates.

Léame

El archivo Léame contiene los requisitos de información de contacto con el servicio técnico de HP, del sistema operativo y las actualizaciones más recientes de información del producto.

Windows: Inserte el CD de software. En el CD de software se encuentra el archivo ReadMe.chm. Haga clic en el mismo para abrirlo para abrirlo y seleccione ReadMe en su idioma.

Mac: Introduzca el CD con el software y haga doble clic en la carpeta Read Me, situada en el nivel superior de dicho CD.

¿No dispone de unidad de CD/DVD?

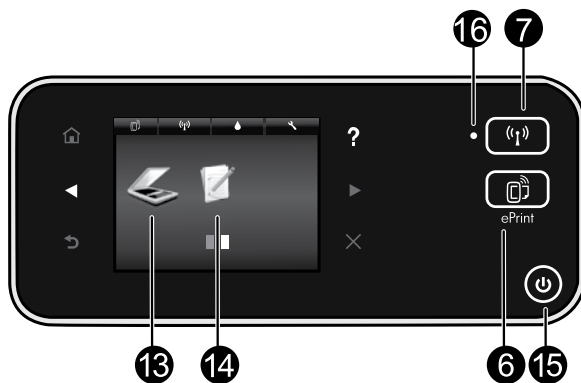
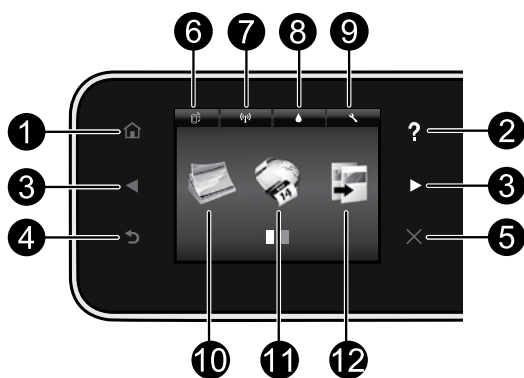
Si no dispone de una unidad de CD/DVD, visite www.hp.com/support para descargar e instalar el software.

Registre la impresora

Obtenga un servicio más rápido y alertas de asistencia registrándose en www.register.hp.com.

Utilización de la tinta

La tinta de los cartuchos se utiliza en el proceso de impresión de varias maneras, entre las que están el proceso de inicio, que prepara la impresora y los cartuchos para la impresión, y el proceso de mantenimiento de cabezales, para mantener los inyectores de impresión limpios y el flujo de tinta correcto. Asimismo, parte de la tinta residual queda en el cartucho después de utilizarlo. Para obtener más información, visite: www.hp.com/go/inkusage.



Botones del panel de control:

1. **Inicio:** regresa a la pantalla inicial.
2. **Ayuda:** en la pantalla Inicio, muestra todos los temas de Ayuda. La Ayuda para esta pantalla se muestra en otras pantallas.
3. **Botones direccionales:** le permite navegar por dos pantallas de inicio, fotos, vistas previas de impresión, aplicaciones y opciones de menú horizontal.
4. **Atrás:** vuelve a la pantalla anterior.
5. **Cancelar:** detiene la operación actual.
6. Icono **ePrint** y botón **ePrint:** muestra la dirección de correo electrónico de la impresora, el estado de ePrint y la función ePrint. Puede modificar las configuraciones de ePrint o imprimir una página de información.
7. Icono de **Conexión inalámbrica** y botón de **Conexión inalámbrica:** muestra el estado inalámbrico, la dirección IP, el nombre de la red, la dirección de hardware (MAC) y el estado de Wireless Direct. Puede cambiar las configuraciones de la conexión inalámbrica o imprimir un informe de prueba inalámbrico para ayudar a diagnosticar los problemas de conexión de la red.
8. Icono de **tinta:** muestra los niveles de tinta estimados por cartucho.
9. Icono de **configuración:** puede cambiar el modo de suspensión, la función de apagado automático

y otras configuraciones desde el menú **Preferencias** y utilizar herramientas para realizar funciones de mantenimiento.

10. **Foto:** imprima fotos directamente desde una tarjeta de memoria en diversos tamaños y papeles. Inserte una tarjeta de memoria en la ranura correspondiente. Toque **Ver e Imprimir** para navegar e imprimir fotos. Use el menú **Editar** para rotar, cortar o corregir una fotografía.
11. **Apps:** proporciona una forma rápida y fácil para acceder e imprimir información desde Internet, como mapas, páginas para colorear, rompecabezas y mucho más.
12. **Copiar:** haga copias en una o dos caras, en color o blanco y negro. Toque el botón **Configuración** para cambiar las configuraciones de papel (tamaño, tipo, cambiar tamaño, márgenes) y la calidad de imagen (aclarar/oscurer, mejoras).
13. **Escanear:** seleccione el destino tocando **Correo electrónico, Tarjeta de memoria u Ordenador**. También puede comenzar a escanear desde el software del ordenador, que tiene funciones más avanzadas.
14. **Formularios rápidos:** puede imprimir calendarios, listas de control, juegos, papel de cuaderno, papel milimetrado y partituras.
15. Botón **Encender**.

16. Indicador de estado de conexión inalámbrica:

- La luz azul indica que se ha establecido la conexión inalámbrica y que se puede imprimir.
- Una luz con parpadeo lento indica que la función inalámbrica está encendida, pero que la impresora no está conectada a una red. Asegúrese de que la impresora esté dentro del rango de la señal inalámbrica.
- Una luz con parpadeo rápido indica error en la conexión inalámbrica. Consulte el mensaje en la pantalla de la impresora.

Configuración y solución de problemas

Si no puede imprimir...

Compruebe si hay mensajes de error y solucínelos. Si aún no puede imprimir, siga este procedimiento, por orden:

Windows

Asegúrese de que la HP Photosmart se haya definido como la impresora predeterminada y no esté fuera de línea.

Para hacer esto:

1. En la barra de tareas de Windows, haga clic en **Inicio**.
2. A continuación, haga clic en:
 - **Dispositivos e impresoras** (Windows 7®)
 - **Impresoras** (Windows Vista®)
 - **Panel de control**, y a continuación en **Impresoras y faxes** (Windows XP®)

Mire la impresora para ver si tiene al lado una marca de selección dentro de un círculo. Si no la tiene, haga clic con el botón secundario en el icono de la impresora y elija **Definir como impresora predeterminada** en el menú.

Para comprobar que la impresora no está fuera de línea, haga clic con el botón secundario en el icono de la impresora y asegúrese de que **Usar impresora sin conexión** y **Pausar impresión** no estén seleccionadas.

Si falla la instalación de software de la impresora HP:

1. Extraiga el CD de la unidad de CD del equipo y, a continuación, desconecte la impresora del ordenador.
2. Reinicie el equipo.
3. Desactive temporalmente los servidores de seguridad y cierre el software antivirus.
4. Inserte el CD del software de la impresora en la unidad de CD del equipo y siga las instrucciones en pantalla para instalar el software de la impresora. No conecte el cable USB hasta que se le indique.
5. Una vez que finalice la instalación, reinicie el ordenador y cualquier software de seguridad desactivado o cerrado.

Mac

Compruebe la cola de impresión:

1. En Preferencias del sistema, haga clic en:
 - **Impresión y fax** (Mac OS X v10.6)
 - **Impresión y fax** (Mac OS X v10.7)
2. Haga clic en el botón **Abrir la cola de impresión**.
3. Haga clic sobre un trabajo de impresión para seleccionarlo.
4. Utilice los botones siguientes para gestionar el trabajo de impresión:
 - **Eliminar:** cancela el trabajo de impresión seleccionado.
 - **Reanudar:** continúa un trabajo de impresión que se ha detenido.
 - Si ha hecho algún cambio, intente volver a imprimir.

Reinicio:

1. Reinicie el equipo.
2. Reinicie la impresora:
 - a. Apague la impresora y desconecte el cable de alimentación.
 - b. Espere un minuto, vuelva a enchufar el cable y encienda la impresora.

Si sigue sin poder imprimir, desinstale y vuelva a instalar el software de impresión HP.

Para desinstalar el software:

1. Desconecte la impresora del equipo.
2. Abra la carpeta Aplicaciones: Carpeta Hewlett-Packard.
3. Haga doble clic en **Programa de desinstalación de HP**. Siga las instrucciones que aparecen en la pantalla.

Para instalar el software:

1. Inserte el CD en la unidad de CD del equipo.
2. En el escritorio, abra el CD y haga doble clic en **HP Installer**.
3. Siga las instrucciones que aparecen en la pantalla.

Especificaciones de energía

CQ191-60017

- Voltaje de entrada: 100-240 VCA (+/- 10%)
- Frecuencia de entrada: 50/60 Hz (+/- 3 Hz)

CQ191-60018

- Voltaje de entrada: 200-240 VCA (+/- 10%)
- Frecuencia de entrada: 50/60 Hz (+/- 3 Hz)

Nota: Utilice esta impresora solo con el cable de alimentación suministrado por HP.

Uso de la impresora de red

Para cambiar de USB a una conexión de red inalámbrica

Si ha configurado inicialmente su impresora utilizando una conexión USB en su equipo, puede cambiar la conexión a una conexión de red inalámbrica realizando los siguientes pasos.

Windows

Para cambiar de USB a una conexión inalámbrica:

1. Desde su ordenador, pulse **Inicio > Todos los programas > HP > HP Photosmart 5520 series > Configuración y software de la impresora.**
2. Haga clic en **Convertir una impresora conectada con USB a inalámbrica.** Mantenga el cable USB conectado hasta que se le pida que lo desconecte.
3. Siga las instrucciones que aparecen en la pantalla.

Mac

Para cambiar de USB a una conexión inalámbrica:

1. Desde el panel de control de la impresora, toque el botón de **Conexión inalámbrica.**
2. Toque el **Asistente de instalación inalámbrica.**
3. Siga los pasos del Asistente de configuración inalámbrica para conectar la impresora.
4. Utilice el **Asistente de configuración HP** en utilidades de Aplicaciones/Hewlett-Packard/Dispositivo, para cambiar la conexión de software a inalámbrica para esta impresora.

Comparta la impresora con otros equipos

Si ya ha conectado su impresora a la red inalámbrica y desea compartirla con los demás ordenadores conectados a la misma red, necesitará instalar el software de impresión en otros ordenadores. Durante la instalación del software, seleccione la conexión **Inalámbrica** cuando le sea solicitado, y, seguidamente, siga las instrucciones que aparezcan en pantalla para finalizar la instalación del software de impresión.

Conéctese de forma inalámbrica a la impresora sin un enrutador

HP Wireless Direct admite dispositivos Wi-Fi (por ejemplo: ordenadores o teléfonos inteligentes) para imprimir directamente en su impresora de manera inalámbrica, sin un enrutador, desde sus dispositivos compatibles con tecnología Wi-Fi. Para configurar y usar Wireless Direct:

1. Desde el panel de control de la impresora, toque el botón de **Conexión inalámbrica.**
2. Toque **Configuración.**
3. Toque **Wireless Direct y Encender (sin seguridad)** o **Encender (con seguridad).**

Nota: Si activa la seguridad, solo los usuarios con contraseña podrán imprimir con esta impresora de manera inalámbrica. Si desactiva la seguridad, cualquiera con un dispositivo Wi-Fi dentro del radio de alcance Wi-Fi de la impresora podrá conectarse a la impresora. HP recomienda que active la seguridad para Wireless Direct.

4. Toque **Mostrar nombre** para visualizar el nombre de Wireless Direct.
5. Toque **Mostrar contraseña** para mostrar la contraseña de Wireless Direct si tiene encendida la seguridad para esta función.
6. En el ordenador inalámbrico o dispositivo móvil, encienda el botón de Wi-Fi, busque el nombre de Wireless Direct y establezca conexión con él, (por ejemplo: HP-Print-xx-Photosmart-5520). Luego, imprima de forma normal desde el ordenador o dispositivo móvil.

Si tiene encendida la seguridad para Wireless, ingrese la contraseña cuando le sea solicitado.

Nota:

- Si desea imprimir desde un dispositivo móvil, deberá tener una aplicación de impresión en su dispositivo móvil.
- Si quiere imprimir desde su ordenador, debe instalar el software de la impresora.
- La conexión con Wireless Direct está disponible aunque la impresora también esté conectada a una red doméstica inalámbrica.
- No puede acceder a Internet a través de la conexión Wireless Direct.

Solución de problemas de impresoras conectadas en red

Si no puede conectar la impresora a la red...

- **Obtenga ayuda del Centro de impresión inalámbrica:** El sitio web Centro de impresión inalámbrica HP (www.hp.com/go/wirelessprinting) contiene una guía de referencia en línea para configurar una red doméstica e impresoras HP inalámbricas. En este sitio web, encontrará información que puede ayudarlo a preparar su red inalámbrica, a configurar o a reconfigurar su impresora y a solucionar problemas de configuración (que incluye el uso de la utilidad de diagnóstico de red de Windows).
- **Confirme que el radio inalámbrica de la impresora está encendido.** Desde el panel de control de la impresora, toque el botón de **Conexión inalámbrica**, si muestra **Conexión inalámbrica apagada**, toque **Encender**.
- **Confirme que la impresora está conectada a la red.** Para hacer esto:
 1. Desde el panel de control de la impresora, toque el botón de **Conexión inalámbrica**.
 2. Toque **Configuración**, toque el botón de la flecha hacia abajo y desplácese por las opciones y toque **Imprimir informe de prueba de conexión inalámbrica**.
 3. El informe de Comprobación de la red inalámbrica se imprime automáticamente.
 - Compruebe la parte superior del informe para ver si algo ha fallado durante la comprobación.
 - Consulte la sección Resultado del diagnóstico de todas las pruebas realizadas y si la impresora las ha pasado o no.
 - Averigüe el Nombre de red (SSID) con el que la impresora está actualmente configurada para la conexión en la sección Configuración actual.

Nota: El ordenador puede estar conectado a una red privada virtual (VPN). Desactive temporalmente la VPN antes de continuar con la instalación. La conexión a una VPN es una conexión a una red distinta; debe desconectar la VPN para acceder al producto a través de la red doméstica.

- **El software de seguridad puede estar provocando problemas.** El software de seguridad instalado en su ordenador está diseñado para proteger su ordenador de amenazas procedentes de fuera de su red doméstica. Un paquete de programas de seguridad puede contener varios tipos de programas, como antivirus, anti software espía, servidor de seguridad, y aplicaciones de protección infantil. Los servidores de seguridad pueden bloquear la comunicación entre los aparatos conectados a la red doméstica y provocar problemas al usar dispositivos como impresoras de red y escáneres.

Los problemas pueden ser:

- No se encuentra la impresora en la red al instalar el software de la impresora.
- De repente, no puede imprimir en la impresora, aunque sí pudo hacerlo el día anterior.
- La impresora muestra que está DESCONECTADA en la carpeta Impresora y faxes.
- El software muestra el estado de la impresora como "desconectado" aunque la impresora está conectada a la red.
- Si tiene un dispositivo multifunción, algunas características funcionan bien y otras no, como el escáner.

Una solución rápida puede ser desactivar su servidor de seguridad y ver si el problema desaparece. Estas son algunas pautas básicas sobre el software de seguridad:

- Si su servidor de seguridad tiene un ajuste llamado **zona de confianza**, defínalo cuando el ordenador esté conectado a su red doméstica.
- Actualice el servidor de seguridad. Muchos proveedores de software de seguridad lo actualizan con soluciones a los problemas conocidos.
- Si su servidor de seguridad tiene un ajuste que se denomina **no mostrar avisos de alerta**, deberá desactivarlo. Al instalar el software HP y usar la impresora HP, es posible que vea mensajes de alerta de su software de servidor de seguridad. Debe autorizar el uso de cualquier software de HP que provoque una alerta. El mensaje de alerta puede dar opciones para **autorizar**, **permitir** o **desbloquear**. Asimismo, si la alerta tiene una opción **recordar esta acción** o **crear una regla para esto**, selecciónela. Esta es la forma en que el servidor de seguridad puede saber en qué puede confiar.

Si no puede conectar la impresora a la red, vaya a www.hp.com/go/wirelessprinting, haga clic en **Ayuda de Firewall**, puede encontrar más soluciones aquí.

Declaración de garantía limitada de la impresora HP

Producto HP	Duración de la garantía limitada
Medio de almacenamiento del software	90 días
Impresora	1 año
Cartuchos de tinta o impresión	La garantía es válida hasta que se agote la tinta HP o hasta que se alcance la fecha de "fin de garantía" indicada en el cartucho, cualquiera de los hechos que se produzca en primer lugar. Esta garantía no cubrirá los productos de tinta HP que se hayan rellenado o manipulado, se hayan vuelto a limpiar, se hayan utilizado incorrectamente o se haya alterado su composición.
Cabezales de impresión (sólo se aplica a productos con cabezales de impresión que el cliente puede sustituir)	1 año
Accesorios	1 año, a no ser que se especifique otro dato

A. Alcance de la garantía limitada

- Hewlett-Packard (HP) garantiza al usuario final que el producto de HP especificado no tendrá defectos de materiales ni mano de obra por el periodo anteriormente indicado, cuya duración empieza el día de la compra por parte del cliente.
- Para los productos de software, la garantía limitada de HP se aplica únicamente a la incapacidad del programa para ejecutar las instrucciones. HP no garantiza que el funcionamiento de los productos se interrumpa o no contenga errores.
- La garantía limitada de HP abarca sólo los defectos que se originen como consecuencia del uso normal del producto, y no cubre otros problemas, incluyendo los originados como consecuencia de:
 - Mantenimiento o modificación indebidos;
 - Software, soportes de impresión, piezas o consumibles que HP no proporcione o no admita;
 - Uso que no se ajuste a las especificaciones del producto;
 - Modificación o uso incorrecto no autorizados.
- Para los productos de impresoras de HP, el uso de un cartucho que no sea de HP o de un cartucho recargado no afecta ni a la garantía del cliente ni a cualquier otro contrato de asistencia de HP con el cliente. No obstante, si el error o el desperfecto en la impresora se atribuye al uso de un cartucho que no sea de HP, un cartucho recargado o un cartucho de tinta caducado, HP cobrará aparte el tiempo y los materiales de servicio para dicho error o desperfecto.
- Si durante la vigencia de la garantía aplicable, HP recibe un aviso de que cualquier producto presenta un defecto cubierto por la garantía, HP reparará o sustituirá el producto defectuoso como considere conveniente.
- Si HP no logra reparar o sustituir, según corresponda, un producto defectuoso que esté cubierto por la garantía, HP reembolsará al cliente el precio de compra del producto, dentro de un plazo razonable tras recibir la notificación del defecto.
- HP no tendrá obligación alguna de reparar, sustituir o reembolsar el precio del producto defectuoso hasta que el cliente lo haya devuelto a HP.
- Los productos de sustitución pueden ser nuevos o seminuevos, siempre que sus prestaciones sean iguales o mayores que las del producto sustituido.
- Los productos HP podrían incluir piezas, componentes o materiales refabricados equivalentes a los nuevos en cuanto al rendimiento.
- La Declaración de garantía limitada de HP es válida en cualquier país en que los productos HP cubiertos sean distribuidos por HP. Es posible que existan contratos disponibles para servicios de garantía adicionales, como el servicio in situ, en cualquier suministrador de servicios autorizado por HP, en aquellos países donde HP o un importador autorizado distribuyan el producto.

B. Limitaciones de la garantía

HASTA DONDE LO PERMITAN LAS LEYES LOCALES, NI HP NI SUS TERCEROS PROVEEDORES OTORGAN NINGUNA OTRA GARANTÍA O CONDICIÓN DE NINGUN TIPO, YA SEAN GARANTÍAS O CONDICIONES DE COMERCIALIZACIÓN EXPRESAS O IMPLÍCITAS, CALIDAD SATISFACTORIA E IDONEIDAD PARA UN FIN DETERMINADO.

C. Limitaciones de responsabilidad

- Hasta donde lo permitan las leyes locales, los recursos indicados en esta Declaración de garantía son los únicos y exclusivos recursos de los que dispone el cliente.
- HASTA EL PUNTO PERMITIDO POR LA LEY LOCAL, EXCEPTO PARA LAS OBLIGACIONES EXPUESTAS ESPECÍFICAMENTE EN ESTA DECLARACIÓN DE GARANTÍA, EN NINGÚN CASO HP O SUS PROVEEDORES SERÁN RESPONSABLES DE LOS DAÑOS DIRECTOS, INDIRECTOS, ESPECIALES, INCIDENTALES O CONSECUENCIALES, YA ESTÉ BASADO EN CONTRATO, RESPONSABILIDAD EXTRA CONTRACTUAL O CUALQUIER OTRA TEORÍA LEGAL, Y AUNQUE SE HAYA AVISADO DE LA POSIBILIDAD DE TALES DAÑOS.

D. Legislación local

- Esta Declaración de garantía confiere derechos legales específicos al cliente. El cliente podría también gozar de otros derechos que varían según el estado (en Estados Unidos), la provincia (en Canadá), o la entidad gubernamental en cualquier otro país del mundo.
- Hasta donde se establezca que esta Declaración de garantía contraviene las leyes locales, dicha Declaración de garantía se considerará modificada para acatar tales leyes locales. Bajo dichas leyes locales, puede que algunas de las declinaciones de responsabilidad y limitaciones estipuladas en esta Declaración de garantía no se apliquen al cliente. Por ejemplo, algunos estados en Estados Unidos, así como ciertas entidades gubernamentales en el exterior de Estados Unidos (incluidas las provincias de Canadá) pueden:
 - Evitar que las renunciaciones y limitaciones de esta Declaración de garantía limiten los derechos estatutarios del cliente (por ejemplo, en el Reino Unido);
 - Restringir de otro modo la capacidad de un fabricante de aumentar dichas renunciaciones o limitaciones; u
 - Ofrecer al usuario derechos adicionales de garantía, especificar la duración de las garantías implícitas a las que no puede renunciar el fabricante o permitir limitaciones en la duración de las garantías implícitas.
- LOS TÉRMINOS ENUNCIADOS EN ESTA DECLARACIÓN DE GARANTÍA, SALVO HASTA DONDE LO PERMITA LA LEY, NO EXCLUYEN, RESTRINGEN NI MODIFICAN LOS DERECHOS ESTATUTARIOS OBLIGATORIOS PERTINENTES A LA VENTA DE PRODUCTOS HP A DICHS CLIENTES, SINO QUE SON ADICIONALES A LOS MISMOS.

Información sobre la Garantía Limitada del Fabricante HP

Estimado Cliente:

Ajdunte puede encontrar el nombre y dirección de las entidades HP que proporcionan la Garantía Limitada de HP (garantía comercial adicional del fabricante) en su país.

La garantía comercial adicional de HP (Garantía Limitada de HP) no afecta a los derechos que Usted, como consumidor, pueda tener frente al vendedor por la falta de conformidad del producto con el contrato de compraventa. Dichos derechos son independientes y compatibles con la garantía comercial adicional de HP y no quedan afectados por ésta. De conformidad con los mismos, si durante un plazo de dos años desde la entrega del producto aparece alguna falta de conformidad existente en el momento de la entrega, el consumidor y usuario tiene derecho a exigir al vendedor la reparación del producto, su sustitución, la rebaja del precio o la resolución del contrato de acuerdo con lo previsto en el Título V del Real Decreto Legislativo 1/2007. Salvo prueba en contrario se presumirá que las faltas de conformidad que se manifiestan en los seis meses posteriores a la entrega del producto ya existían cuando el producto se entregó.

Únicamente cuando al consumidor y usuario le resulte imposible o le suponga una carga excesiva dirigirse frente al vendedor por la falta de conformidad con el contrato podrá reclamar directamente al productor con el fin de obtener la sustitución o reparación.

España: Hewlett-Packard Española S.L. C/ Vicente Aleixandre 1 Parque Empresarial Madrid - Las Rozas 28232 Las Rozas Madrid

Información Válida para México

La presente garantía cubre únicamente aquellos defectos que surgesen como resultado del uso normal del producto y no por aquellos que resultasen:

Cuando el producto se hubiese utilizado en condiciones distintas a las normales; cuando el producto no hubiese sido operado de acuerdo con el instructivo de uso que se le acompaña; cuando el producto hubiese sido alterado o reparado por personas no autorizadas por el fabricante nacional, importador o comercializador responsable respectivo. Los gastos de transportación generados en lugares dentro de la red de servicios de HP en la República Mexicana para dar cumplimiento a esta garantía serán cubiertos por Hewlett-Packard. Los gastos de transportación para llevar el producto al lugar donde se aplicará la garantía, serán cubiertos por el cliente.

Procedimiento:

Para hacer válida su garantía solo se deberá comunicar al Centro de Asistencia Telefónica de HP (Teléfonos: 1800-88-8588 o para la Ciudad de Mexico 55-5258-9922) y seguir las instrucciones de un representante, quien le indicará el procedimiento a seguir.

Importador y venta de partes, componentes, refacciones, consumibles y accesorios:

Hewlett-Packard de México, S. de R.L. de C.V.

Prolongación Reforma No. 700

Delegación Álvaro Obregón

Col. Lomas de Sta. Fé

México, D.F. CP 01210

Producto:

Modelo:

Marcas:

Fecha de Compra:

Sello del establecimiento donde fue adquirido:



PHOTOSMART SÉRIE 5520 e-ALL-IN-ONE

Configuration

Déballer votre imprimante et mettez-la sous tension (voir le dépliant de configuration). Puis suivez les instructions et les animations sur l'écran de l'imprimante pour terminer la configuration de l'imprimante.

Aide électronique

L'installation de l'aide en ligne a lieu automatiquement en même temps que celle du logiciel d'impression. L'Aide électronique inclut des instructions sur les fonctionnalités du produit et le dépannage avec des liens supplémentaires au contenu en ligne. Elle décrit également les caractéristiques du produit, des notices légales, ainsi que des informations d'ordre environnemental, réglementaire et d'assistance.

Windows : Après installation du logiciel, cliquez sur **Démarrer > Tous les programmes > HP > HP Photosmart série 5520 > Aide**.

Mac : Pendant l'installation du logiciel, dans l'écran montrant les logiciels recommandés, sélectionnez **Logiciel recommandé par HP**, et terminez ensuite l'installation du logiciel.

- **Mac OS X v10.6** : Choisissez **Aide Mac** à partir de **Aide**. Dans l'**Afficheur d'aide**, cliquez sur le bouton **Accueil** en maintenant la sélection, puis sélectionnez l'aide relative à votre périphérique.
- **Mac OS X v10.7** : Choisissez **Centre d'aide** à partir de l'**Aide**, cliquez **Aide pour toutes vos applications**, puis sélectionnez l'aide relative à votre périphérique.



Pour trouver la déclaration des notices réglementaires de l'Union européenne et les informations sur la conformité, reportez-vous à l'aide en ligne, cliquez sur **Annexe > Informations techniques > Notices réglementaires > Notices réglementaires de l'Union européenne**. La déclaration de conformité pour ce produit est disponible à l'adresse Web suivante : www.hp.eu/certificats.

Fichier Lisez-moi

Le fichier Lisez-moi contient des informations permettant de contacter l'assistance HP et décrit la configuration requise pour le système d'exploitation, ainsi que les mises à jour les plus récentes des informations sur votre produit.

Windows : Insérez le CD du logiciel. Sur le CD du logiciel, localisez le fichier ReadMe.chm. Cliquez sur ReadMe.chm, puis sélectionnez le fichier Lisez-moi dans votre langue.

Mac : Insérez le CD du logiciel, puis double-cliquez sur le dossier Lisez-moi situé à la racine du CD.

Aucun lecteur de CD/DVD ?

Sur les ordinateurs non équipés d'un lecteur de CD/DVD, visitez le site www.hp.com/support pour télécharger et installer le logiciel.

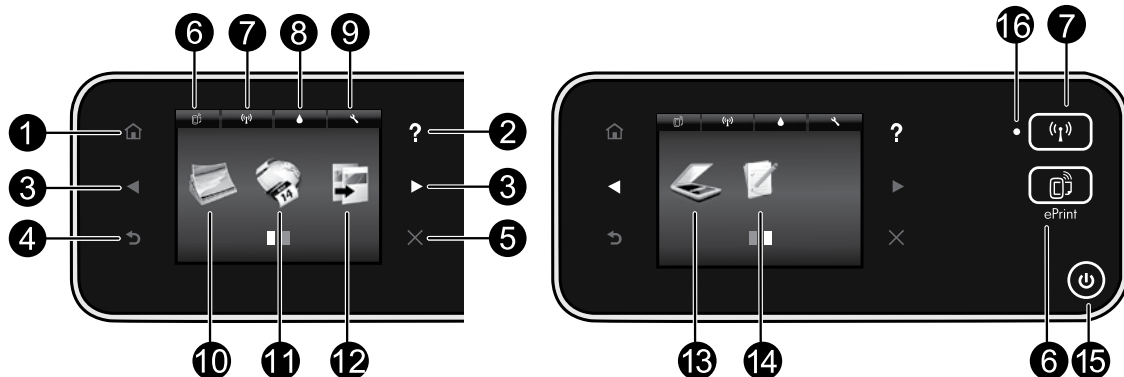
Enregistrement de votre imprimante

Pour obtenir un service plus rapide et des alertes d'assistance, enregistrez-vous sur le site www.register.hp.com.

Utilisation de l'encre

L'encre contenue dans les cartouches est utilisée de différentes manières au cours du processus d'impression, y compris lors de l'initialisation, qui prépare l'imprimante et les cartouches en vue de l'impression, ou encore lors de l'entretien des têtes d'impression, qui permet de nettoyer les buses pour s'assurer que l'encre s'écoule de manière homogène. En outre, une certaine quantité d'encre demeure dans la cartouche après utilisation. Pour des informations complémentaires, reportez-vous au site : www.hp.com/go/inkusage.

Apprenez à connaître votre imprimante HP Photosmart



Boutons du panneau de commande :

1. **Accueil** : vous renvoie à l'écran d'accueil.
2. **Aide** : dans l'écran d'accueil, affiche tous les sujets de l'Aide. Dans un autre écran, affiche l'Aide pour cet écran.
3. **Boutons directionnels** : vous permettent de naviguer dans deux écrans d'accueil, des photos, des aperçus avant impression et des options de menu horizontal.
4. **Retour** : retourne à l'écran précédent.
5. **Annuler** : interrompt l'opération en cours.
6. Icône **ePrint** et bouton **ePrint** : affichent l'adresse de messagerie de l'imprimante ainsi que l'état et la fonctionnalité ePrint. Vous pouvez modifier les paramètres ePrint ou imprimer une page d'informations.
7. Icône **Sans fil** et bouton **Sans fil** : affichent l'état de la liaison sans fil, l'adresse IP, le nom de réseau, l'adresse matérielle (MAC) et l'état de la liaison sans fil direct. Vous pouvez modifier les paramètres sans fil, ou imprimer un rapport de test sans fil qui contribue à diagnostiquer des problèmes de connexion réseau.
8. Icône **Encre** : affiche les niveaux d'encre estimés par cartouche.
9. Icône **Paramètres** : vous pouvez modifier le mode Veille, la fonctionnalité Désact. auto ou d'autres paramètres du menu **Préférences** et utiliser les outils pour effectuer des tâches de maintenance.
10. **Photo** : imprimez les photos directement depuis une carte mémoire dans divers formats et types de papier. Insérez une carte mémoire dans son logement. Touchez **Afficher et imprimer** pour parcourir vos photos et les imprimer. Utilisez le menu **Édition** pour faire pivoter, recadrer ou rectifier une photo.
11. **Applications** : offre un moyen simple et rapide d'accéder à des informations sur le Web, telles que des cartes, des pages à colorier, des puzzles et davantage, puis de les imprimer.
12. **Copier** : vous permet d'effectuer des copies couleur ou noir et blanc recto ou verso. Touchez le bouton **Paramètres** pour modifier les paramètres papier (taille, type, redimensionnement, marges) et qualité d'image (plus clair/plus foncé et améliorations).
13. **Numériser** : sélectionnez une destination en touchant **Email**, **Carte mémoire** ou **Ordinateur**. Vous pouvez également démarrer une numérisation à partir du logiciel qui offre davantage de fonctionnalités avancées.
14. **Formulaires rapides** : vous pouvez imprimer des calendriers, des listes de vérification, des jeux, du papier format carnet, du papier millimétré et du papier à musique.
15. Bouton **Marche/Arrêt**.

16. Voyant d'état de la connexion sans fil :

- Un voyant bleu figé indique que la connexion sans fil a été établie et que vous êtes en cours d'impression.
- Un voyant clignotant lentement indique que l'option sans fil est activée mais que l'imprimante n'est pas connectée à un réseau. Assurez-vous que l'imprimante se trouve dans la plage de signaux sans fil.
- Un voyant clignotant rapidement indique une erreur de connexion sans fil. Reportez-vous au message affiché sur l'écran de l'imprimante.

Si vous ne parvenez pas à imprimer...

Vérifiez si des messages d'erreurs s'affichent et, le cas échéant, résolvez-les. S'il n'est toujours pas possible d'effectuer l'impression, essayez les solutions suivantes dans l'ordre indiqué :

Windows

Assurez-vous que votre imprimante HP Photosmart est définie en tant qu'imprimante par défaut et qu'elle n'est pas hors ligne.

Pour ce faire :

1. Dans la barre des tâches de Windows, cliquez sur **Démarrer**.
2. Puis, cliquez sur :
 - **Périphériques et imprimantes** (Windows 7®)
 - **Imprimantes** (Windows Vista®)
 - **Panneau de configuration**, puis cliquez sur **Imprimantes et télécopieurs** (Windows XP®)

Recherchez votre imprimante pour vérifier si elle est désignée par une coche cerclée de noir. Si tel n'est pas le cas, cliquez avec le bouton droit sur l'icône de l'imprimante et sélectionnez **Définir comme imprimante par défaut** dans le menu.

Pour vérifier que votre imprimante n'est pas hors ligne, cliquez avec le bouton droit sur l'icône de l'imprimante et assurez-vous que les options **Utiliser l'imprimante hors connexion** et **Suspendre l'impression** ne sont pas sélectionnées.

Échec d'installation du logiciel de l'imprimante HP :

1. Retirez le CD de l'unité de CD de votre ordinateur, puis débranchez l'imprimante de l'ordinateur.
2. Redémarrez l'ordinateur.
3. Désactivez temporairement le pare-feu ainsi que l'antivirus, le cas échéant.
4. Insérez le CD du logiciel d'impression dans le lecteur de CD de votre ordinateur, puis suivez les instructions à l'écran pour l'installer. Ne branchez le câble USB que lorsque vous y êtes invité.
5. Une fois l'installation terminée, redémarrez l'ordinateur, ainsi que les logiciels de sécurité que vous avez éventuellement désactivés ou fermés.

Mac

Contrôlez votre file d'attente d'impression :

1. Dans Préférences système, cliquez sur :
 - **Imprimer et télécopier** (Mac OS X v10.6)
 - **Imprimer et numériser** (Mac OS X v10.7)
2. Cliquez sur le bouton **Ouvrir la file d'attente d'impression**.
3. Cliquez sur une tâche d'impression pour la sélectionner.
4. Utilisez les boutons de contrôle de l'impression ci-après :
 - **Supprimer** : annule la tâche d'impression sélectionnée.
 - **Reprendre** : reprend la tâche d'impression mise en attente.
 - Si vous avez effectué des modifications, lancez une nouvelle impression.

Redémarrez et réinitialisez :

1. Redémarrez l'ordinateur.
2. Réinitialisez l'imprimante :
 - a. Mettez l'imprimante hors tension, puis débranchez le cordon d'alimentation.
 - b. Patientez environ une minute avant de le reconnecter. Mettez sous tension l'imprimante.

Si vous ne parvenez toujours pas à imprimer, désinstallez, puis réinstallez le logiciel de l'imprimante HP.

Pour désinstaller le logiciel :

1. Déconnectez l'imprimante de votre ordinateur.
2. Ouvrez le dossier Applications : Hewlett-Packard.
3. Double-cliquez sur **Programme de désinstallation HP**. Suivez les instructions à l'écran.

Pour installer le logiciel :

1. Insérez le CD dans le lecteur de CD de votre ordinateur.
2. Sur le bureau, ouvrez le CD, puis double-cliquez sur **Programme d'installation HP**.
3. Suivez les instructions à l'écran.

Caractéristiques électriques

CQ191-60017

- Tension d'entrée : 100 - 240 Vca (+/- 10 %)
- Fréquence d'entrée : 50/60 Hz (+/- 3 Hz)

CQ191-60018

- Tension d'entrée : 200 - 240 Vca (+/- 10 %)
- Fréquence d'entrée : 50/60 Hz (+/- 3 Hz)

Remarque : Utilisez cette imprimante exclusivement avec le cordon d'alimentation fourni par HP.

Utilisation de l'imprimante mise en réseau

Passer d'une connexion USB à une connexion réseau sans fil

Si, au départ, vous avez configuré votre imprimante à l'aide d'une connexion USB sur votre ordinateur, vous pouvez passer à une connexion réseau sans fil en suivant ces étapes.

Windows

Pour passer d'une connexion USB à une connexion sans fil :

1. Depuis votre ordinateur, cliquez sur **Démarrer > Tous les programmes > HP > HP Photosmart série 5520 > Configuration de l'imprimante et sélection logicielle**.
2. Cliquez sur **Convertir une imprimante USB en imprimante sans fil**. Gardez votre câble USB connecté tant que vous n'êtes pas invité à le déconnecter.
3. Suivez les instructions à l'écran.

Mac

Pour passer d'une connexion USB à une connexion sans fil :

1. Dans le panneau de commande de votre imprimante, touchez le bouton **Sans fil**.
2. Touchez l'option **Assistant de configuration sans fil**.
3. Suivez les étapes de l'Assistant de configuration sans fil afin de connecter l'imprimante.
4. Utilisez **Assistant d'installation de HP** dans Applications/Hewlett-Packard/Device pour passer d'une connexion logicielle à une connexion sans fil sur votre imprimante.

Partager votre imprimante avec d'autres ordinateurs

Si votre imprimante est déjà connectée à votre réseau sans fil et que vous souhaitez la partager avec d'autres ordinateurs sur le même réseau, vous devez installer le logiciel d'impression sur les autres ordinateurs. Pendant l'installation du logiciel, sélectionnez la connexion **Sans fil** lorsque vous y êtes invité, puis suivez les instructions à l'écran pour terminer l'installation du logiciel de l'imprimante.

Effectuer une connexion sans fil de l'imprimante sans routeur

HP Wireless Direct permet à vos périphériques Wi-Fi activés (par exemple : ordinateurs ou smartphones) d'imprimer directement sans fil sur votre imprimante, sans routeur sans fil. Pour configurer et utiliser la fonctionnalité Sans fil direct :

1. Dans le panneau de commande de votre imprimante, touchez le bouton **Sans fil**.
2. Touchez **Paramètres**.
3. Touchez **Sans fil direct**, touchez **Activé (sans sécurité)** ou **Activé (avec sécurité)**.

Remarque : Si vous activez la sécurité, uniquement les utilisateurs disposant du mot de passe pourront imprimer sans fil. Si vous désactivez la sécurité, quiconque muni d'un périphérique Wi-Fi avec une portée Wi-Fi pourra se connecter à l'imprimante. HP vous recommande d'activer la sécurité pour la fonctionnalité Sans fil direct.

4. Touchez **Nom affiché** pour afficher le nom Sans fil direct.
5. Touchez **Afficher le mot de passe** pour afficher le mot de passe Sans fil direct si la sécurité Sans fil direct est activé.
6. Depuis votre ordinateur sans fil ou votre périphérique mobile, activez la radio Wi-Fi, recherchez votre nom sans fil direct et connectez-vous comme dans (cet exemple : HP-Print-xx-Photosmart-5520). Puis, imprimez comme vous le faites habituellement à partir de votre ordinateur ou de votre périphérique mobile.

Si vous avez activé la sécurité Sans fil direct, entrez le mot de passe Sans fil direct lorsque vous y êtes invité.

Remarque :

- Si vous souhaitez imprimer à partir d'un périphérique mobile, vous devez disposer d'une application d'impression sur votre périphérique mobile.
- Si vous souhaitez imprimer depuis votre ordinateur, vous devrez installer le logiciel d'impression.
- La connexion directe sans fil est disponible même si l'imprimante est également connectée à un réseau domestique sans fil.
- Vous ne pouvez pas accéder à Internet via la connexion Sans fil direct.

Si vous ne pouvez pas connecter l'imprimante au réseau...

- **Obtenir de l'aide du Wireless Printing Center:** Le site Web HP Wireless Printing Center (www.hp.com/go/wirelessprinting) est un manuel de référence en ligne vous permettant de configurer votre réseau domestique et votre imprimante HP pour une impression sans fil. Sur ce site Web, vous trouverez des informations qui vous aideront à préparer votre réseau sans fil, à configurer ou à reconfigurer votre imprimante et à dépanner votre configuration (y compris en utilisant l'utilitaire de diagnostic réseau Windows).
- **Confirmez que la radio sans fil de l'imprimante est activée.** Dans le panneau de commande de l'imprimante, touchez le bouton **Sans fil**. Si **Sans fil désactivé** s'affiche, touchez **Activer**.
- **Vérifiez que votre imprimante est connectée à votre réseau.** Pour ce faire :
 1. Dans le panneau de commande de votre imprimante, touchez le bouton **Sans fil**.
 2. Touchez **Paramètres**, touchez le bouton de flèche vers le bas pour parcourir les options, puis touchez **Imprimer le rapport de test sans fil**.
 3. Le rapport Test sans fil est automatiquement imprimé.
 - Vérifiez le haut du rapport pour voir si quelque chose a échoué lors du test.
 - Voir la section Résultats de diagnostics pour vérifier si tous les tests ont été effectués et si, oui ou non, votre imprimante les a réussis.
 - Recherchez le Nom réseau (SSID) pour lequel votre imprimante est actuellement configurée pour connexion dans la section Configuration actuelle.

Remarque : Votre ordinateur est peut-être connecté à un réseau privé virtuel (VPN). Désactivez temporairement le VPN avant de poursuivre l'installation. Être connecté à un VPN revient à être sur un réseau différent, vous devrez déconnecter le VPN pour accéder au produit sur le réseau domestique.

- **Le logiciel de sécurité peut être à l'origine de problèmes.** Le logiciel de sécurité installé sur votre ordinateur est conçu pour protéger votre ordinateur contre les menaces extérieures à votre réseau domestique. Une suite logicielle de sécurité peut contenir différents types de logiciel tels qu'un antivirus, un logiciel anti-espion, un pare-feu et des applications de protection pour enfants. Les pare-feu peuvent bloquer les communications entre les périphériques connectés au réseau domestique et peuvent être à l'origine de problèmes lorsque vous utilisez des périphériques tels que des scanners et des imprimantes réseau.

Les problèmes rencontrés sont les suivants :

- L'imprimante est introuvable sur le réseau lors de l'installation du logiciel d'impression.
- Soudain, vous ne pouvez plus imprimer même si vous pouviez la veille.
- L'imprimante indique qu'elle est HORS-LIGNE dans le dossier Imprimantes et télécopieurs.
- Le logiciel affiche l'état de l'imprimante « déconnecté » même si l'imprimante est connectée au réseau.
- Si vous disposez d'une imprimante Tout-en-un, certaines fonctionnalités peuvent être utilisées telles que l'impression et d'autres ne peuvent pas être utilisées telles que la numérisation.

Une technique de dépannage rapide consiste à désactiver votre pare-feu pour voir si le problème est résolu. Vous trouverez ci-dessous quelques directives fondamentales pour utiliser des logiciels de sécurité :

- Si votre pare-feu présente un paramètre nommé **zone de confiance**, utilisez-le lorsque votre ordinateur est connecté à votre réseau domestique.
- Votre pare-feu doit être à jour. De nombreux fournisseurs de logiciels de sécurité proposent des mises à jour qui corrigent les problèmes connus.
- Si le paramètre **Ne pas afficher les messages d'avertissement** de votre pare-feu est activé, vous devez le désactiver. Lorsque vous installez le logiciel HP et utilisez l'imprimante HP, il est probable que des messages d'avertissement s'affichent sur votre pare-feu. Vous devez autoriser tout logiciel HP à l'origine d'un avertissement. Le message d'avertissement propose des options permettant d'**autoriser**, de **permettre** ou de **débloquer**. De même, si l'avertissement propose de **se rappeler de cette action** ou de **créer une règle pour cette sélection**, assurez-vous de sélectionner cette option. C'est ainsi que le pare-feu sait ce qui est fiable sur votre réseau domestique.

Si vous ne pouvez toujours pas connecter l'imprimante au réseau, consultez le site www.hp.com/go/wirelessprinting, puis cliquez sur **Aide sur le pare-feu**. Vous trouverez plus de solutions dans cette rubrique.

Déclaration de garantie limitée de l'imprimante HP

Produit HP	Durée de la garantie limitée
Supports logiciels	90 jours
Imprimante	1 an
Cartouches d'encre	Jusqu'à épuisement de l'encre HP ou jusqu'à expiration de la date de garantie imprimée sur la cartouche (selon le cas qui se produira en premier). Cette garantie ne couvre pas les produits utilisant de l'encre HP qui ont été reconditionnés, mal utilisés ou altérés.
Têtes d'impression (ne s'applique qu'aux produits avec des têtes d'impression pouvant être remplacées par le client)	1 an
Accessoires	1 an, sauf indication contraire

A. Extension de garantie limitée

- Hewlett-Packard (HP) garantit au client utilisateur final que les produits HP décrits précédemment sont exempts de défauts de matériaux et malfaçons pendant la durée indiquée ci-dessus, à compter de la date d'achat par le client.
- Pour les logiciels, la garantie limitée HP est valable uniquement en cas d'impossibilité d'exécuter les instructions de programmation. HP ne garantit pas que le fonctionnement du logiciel ne connaîtra pas d'interruptions ni d'erreurs.
- La garantie limitée HP ne couvre que les défauts qui apparaissent dans le cadre de l'utilisation normale du produit et ne couvre aucun autre problème, y compris ceux qui surviennent du fait :
 - d'une mauvaise maintenance ou d'une modification ;
 - de logiciels, de supports, de pièces ou de consommables non fournis ou non pris en charge par HP ;
 - du fonctionnement du produit hors de ses caractéristiques ; ou
 - d'une modification non autorisée ou d'une mauvaise utilisation.
- Pour les imprimantes HP, l'utilisation d'une cartouche d'un autre fournisseur ou d'une cartouche rechargée n'entraîne pas la résiliation de la garantie ni d'un contrat de support HP. Toutefois, si la panne ou les dégâts peuvent être attribués à l'utilisation d'une cartouche d'un autre fournisseur, d'une cartouche rechargée ou d'une cartouche périmée, HP facturera les montants correspondant au temps et au matériel nécessaires à la réparation de l'imprimante.
- Si, pendant la période de garantie applicable, HP est informé d'une défaillance concernant un produit couvert par la garantie HP, HP choisira de réparer ou de remplacer le produit défectueux.
- Si HP est dans l'incapacité de réparer ou de remplacer, selon le cas, un produit défectueux couvert par la garantie HP, HP devra, dans un délai raisonnable après avoir été informé du défaut, rembourser le prix d'achat du produit.
- HP ne sera tenu à aucune obligation de réparation, de remplacement ou de remboursement tant que le client n'aura pas retourné le produit défectueux à HP.
- Tout produit de remplacement peut être neuf ou comme neuf, pourvu que ses fonctionnalités soient au moins équivalentes à celles du produit remplacé.
- Les produits HP peuvent contenir des pièces, des composants ou des matériels reconditionnés équivalents à des neufs en termes de performances.
- La garantie limitée HP est valable dans tout pays dans lequel le produit HP couvert est distribué par HP. Des contrats apportant des services de garantie supplémentaires, tels que la réparation sur site, sont disponibles auprès des services de maintenance agréés par HP dans les pays dans lequel le produit est distribué par HP ou par un importateur agréé.

B. Restrictions de garantie

DANS LA MESURE OÙ LES LOIS LOCALES L'AUTORISENT, HP OU SES FOURNISSEURS TIERS NE FONT AUCUNE AUTRE GARANTIE OU CONDITION, EXPRIME OU IMPLICITE, EN CE QUI CONCERNE LES PRODUITS HP ET NIEN TOUTE GARANTIE IMPLICITE DE COMMERCIALISATION, DE QUALITÉ SATISFAISANTE OU D'ADAPTATION À UN BUT PARTICULIER.

C. Restrictions de responsabilité

- Dans la mesure où les lois locales l'autorisent, les recours énoncés dans cette déclaration de garantie constituent les recours exclusifs du client.
- DANS LA MESURE OÙ LES LOIS LOCALES L'AUTORISENT, EXCEPTION FAITE DES OBLIGATIONS SPÉCIFIQUEMENT ÉNONCÉES DANS LA PRÉSENTE DÉCLARATION DE GARANTIE, HP OU SES FOURNISSEURS TIERS NE POURRONT ÊTRE TENUS POUR RESPONSABLES DE DOMMAGES DIRECTS, INDIRECTS, SPÉCIAUX OU ACCIDENTELS, QU'ILS SOIENT BASÉS SUR UN CONTRAT, UN PRÉJUDICE OU TOUTE AUTRE THÉORIE LÉGALE, QUE CES DOMMAGES SOIENT REPUTÉS POSSIBLES OU NON.

D. Lois locales

- Cette déclaration de garantie donne au client des droits juridiques spécifiques. Le client peut également posséder d'autres droits selon les états des États-Unis, les provinces du Canada, et les autres pays ou régions du monde.
- Si cette déclaration de garantie est incompatible avec les lois locales, elle sera considérée comme étant modifiée pour être conforme à la loi locale. Selon ces lois locales, certaines renonciations et limitations de cette déclaration de garantie peuvent ne pas s'appliquer au client. Par exemple, certains états des États-Unis, ainsi que certains gouvernements hors des États-Unis (y compris certaines provinces du Canada), peuvent :
 - exclure les renonciations et limitations de cette déclaration de garantie des droits statutaires d'un client (par exemple au Royaume-Uni) ;
 - restreindre d'une autre manière la possibilité pour un fabricant d'imposer ces renonciations et limitations ; ou
 - accorder au client des droits de garantie supplémentaires, spécifier la durée des garanties implicites que le fabricant ne peut nier, ou ne pas autoriser les limitations portant sur la durée des garanties implicites.
- EXCEPTÉ DANS LA MESURE AUTORISÉE PAR LA LÉGISLATION, LES TERMES DE LA PRÉSENTE DÉCLARATION DE GARANTIE N'EXCLUENT, NE LIMITENT NI NE MODIFIENT LES DROITS STATUTAIRES OBLIGATOIRES APPLICABLES À LA VENTE DES PRODUITS HP AUX DITS CLIENTS, MAIS VIENNENT S'Y AJOUTER.

Garantie du fabricant HP

Cher client,

Vous trouverez, ci-après, les coordonnées de l'entité HP responsable de l'exécution de la garantie fabricant relative à votre matériel HP dans votre pays.

En vertu de votre contrat d'achat, il se peut que vous disposiez de droits légaux supplémentaires à l'encontre de votre vendeur. Ceux-ci ne sont aucunement affectés par la présente garantie du fabricant HP.

En particulier, si vous êtes un consommateur domicilié en France (départements et territoires d'outre-mer (DOM-TOM) inclus dans la limite des textes qui leur sont applicables), le vendeur reste tenu à votre égard des défauts de conformité du bien au contrat et des vices rédhibitoires h dans les conditions prévues aux articles 1641 à 1649 du Code civil.

Code de la consommation :

*Art. L. 211-4. - Le vendeur est tenu de livrer un bien conforme au contrat et répare des défauts de conformité existant lors de la délivrance.

Il répond également des défauts de conformité résultant de l'emballage, des instructions de montage ou de l'installation lorsque celle-ci a été mise à sa charge par le contrat ou a été réalisée sous sa responsabilité.

*Art. L. 211-5. - Pour être conforme au contrat, le bien doit :

1° Être propre à l'usage habituellement attendu d'un bien semblable et, le cas échéant, correspondre à la description donnée par le vendeur et posséder les qualités que celui-ci a présentées à l'acheteur sous forme d'échantillon ou de modèle ;

2° Présenter les qualités qu'un acheteur peut légitimement attendre eu égard aux déclarations publiques faites par le vendeur, par le producteur ou par son représentant, notamment dans la publicité ou l'étiquetage ;

3° Ou présenter les caractéristiques définies d'un commun accord par les parties ou être propre à tout usage spécial recherché par l'acheteur, porté à la connaissance du vendeur et que ce dernier a accepté.

*Art. L.211-12. - L'action résultant du défaut de conformité se prescrit par deux ans à compter de la délivrance du bien."

Code civil :

*Code civil Article 1641 : Le vendeur est tenu de la garantie à raison des défauts cachés de la chose vendue qui la rendent impropre à l'usage auquel on la destine, ou qui diminuent tellement cet usage, que l'acheteur ne l'aurait pas acquise, ou n'en aurait donné qu'un moindre prix, s'il les avait connus.

*Code civil Article 1648 : L'action résultant des vices rédhibitoires doit être intentée par l'acquéreur dans un délai de deux ans à compter de la découverte du vice."

France : Hewlett-Packard France, SAS 80, rue Camille Desmoulins 92788 Issy les Moulineaux Cedex 9

Belgique : Hewlett-Packard Belgium BVBA/SPRL, Hermeslaan 1A, B-1831 Brussels

Luxembourg : Hewlett-Packard Luxembourg SCA, Vegacenter, 75, Parc d'Activités Capellen, L-8308 Capellen