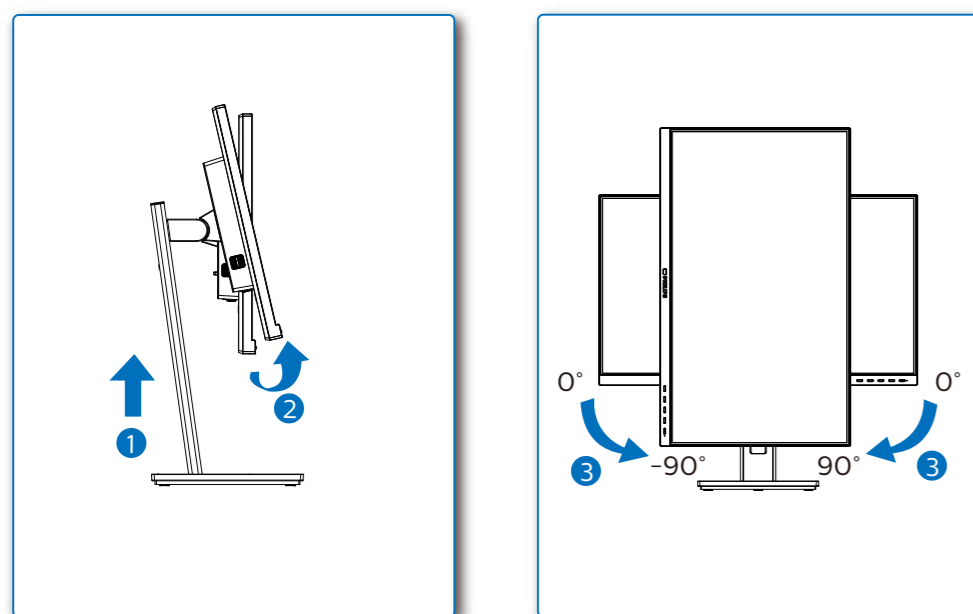
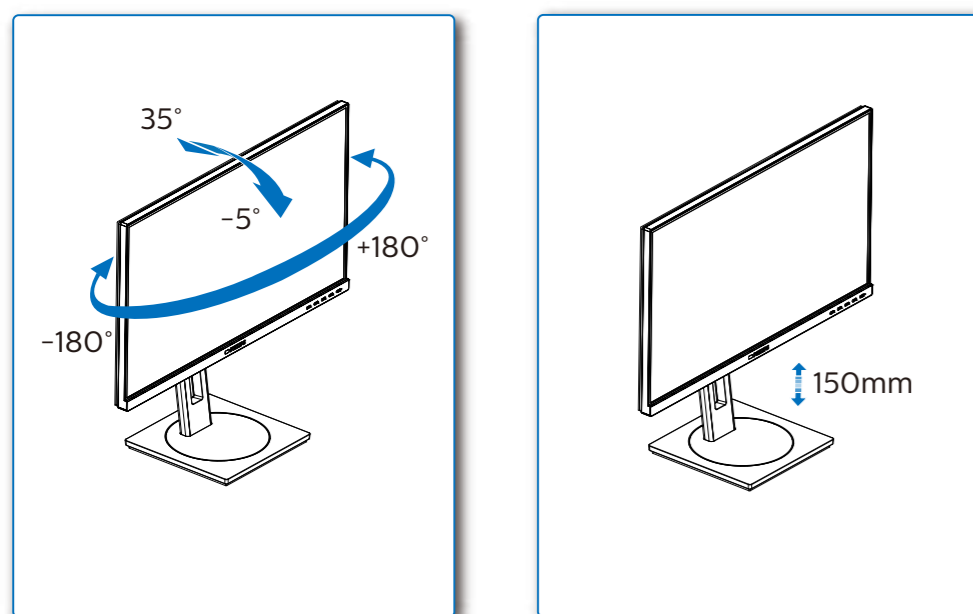
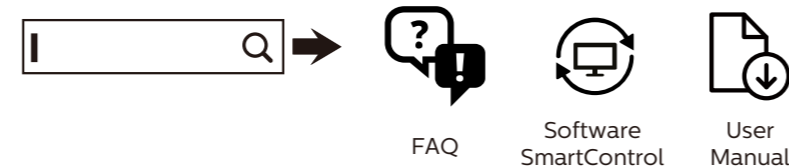


4



Register your product and get support at [www.philips.com/support](http://www.philips.com/support)



Version: M10243BQ1T  
2021 © TOP Victory Investments Ltd. All rights reserved.

This product has been manufactured by and is sold under the responsibility of Top Victory Investments Ltd., and Top Victory Investments Ltd. is the warrantor in relation to this product. Philips and the Philips Shield Emblem are registered trademarks of Koninklijke Philips N.V. and are used under license.

Specifications are subject to change without notice.

**HDMI**

The terms HDMI, HDMI High-Definition Multimedia Interface, and the HDMI Logo are trademarks or registered trademarks of HDMI Licensing Administrator, Inc.

[www.philips.com](http://www.philips.com)

Energy Labelling  
243B1



Printed in China



H41G785281391C

**PHILIPS**

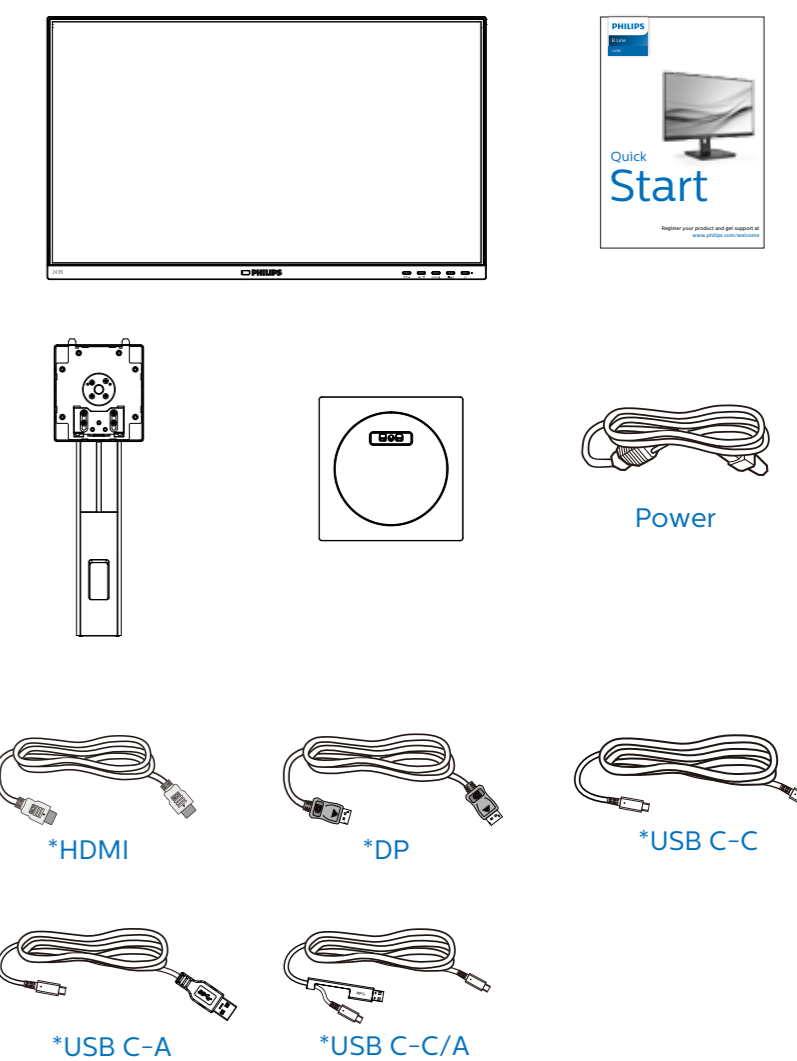
B Line

243B1



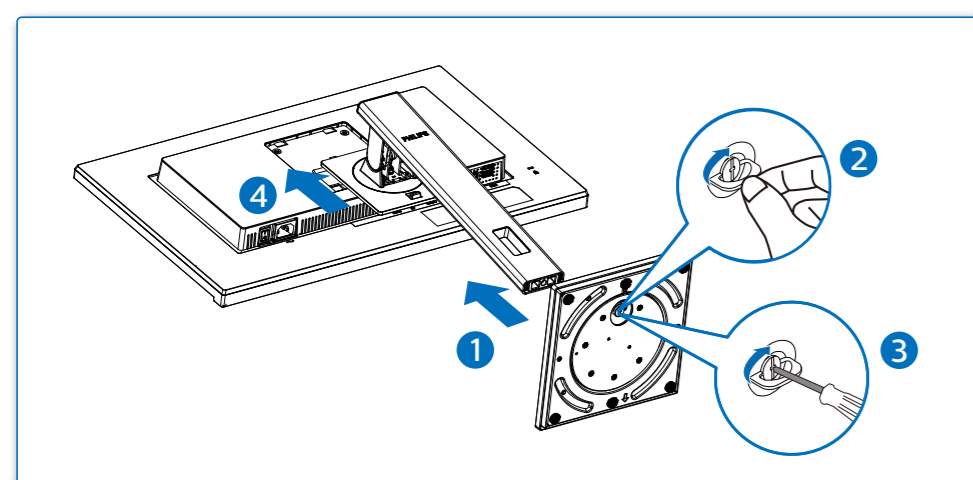
# Quick Start

Register your product and get support at [www.philips.com/welcome](http://www.philips.com/welcome)

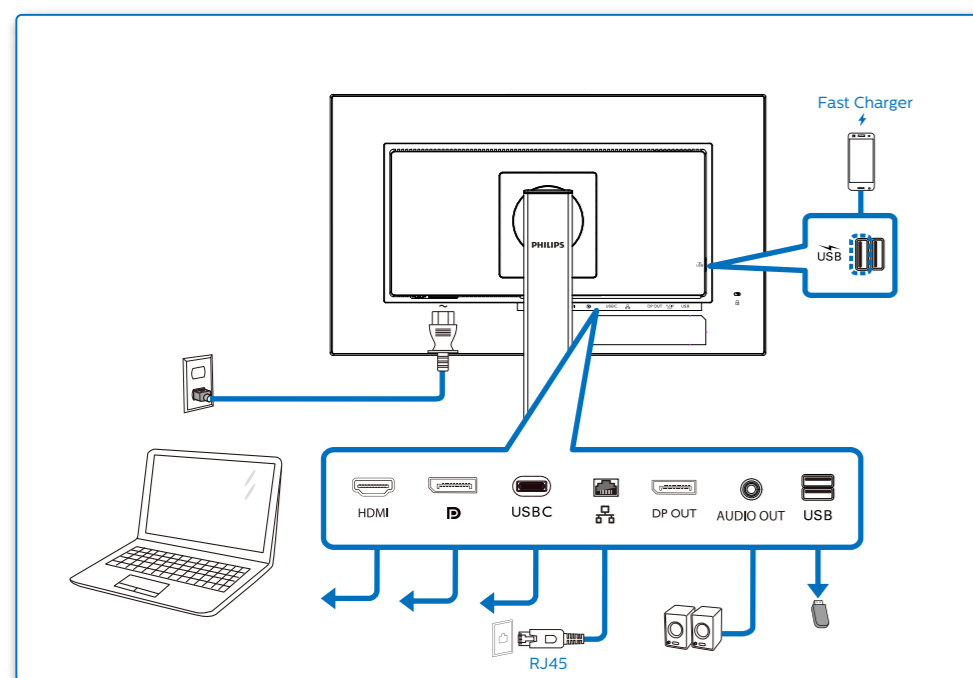


\*Different according to region  
Display design may differ from that illustrated

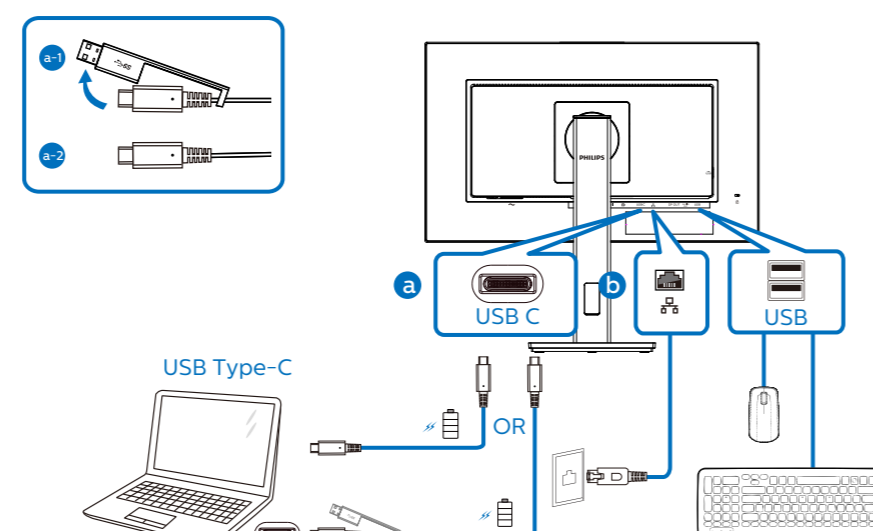
1



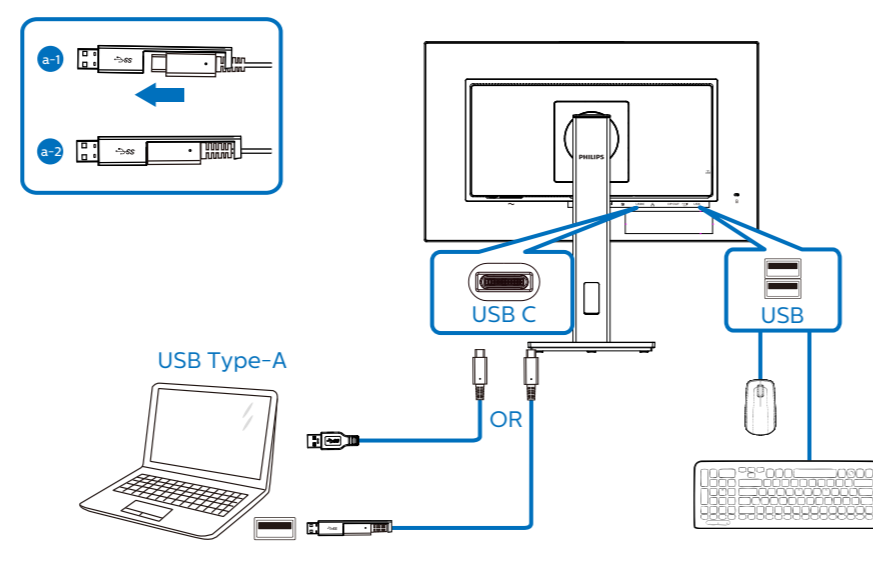
2



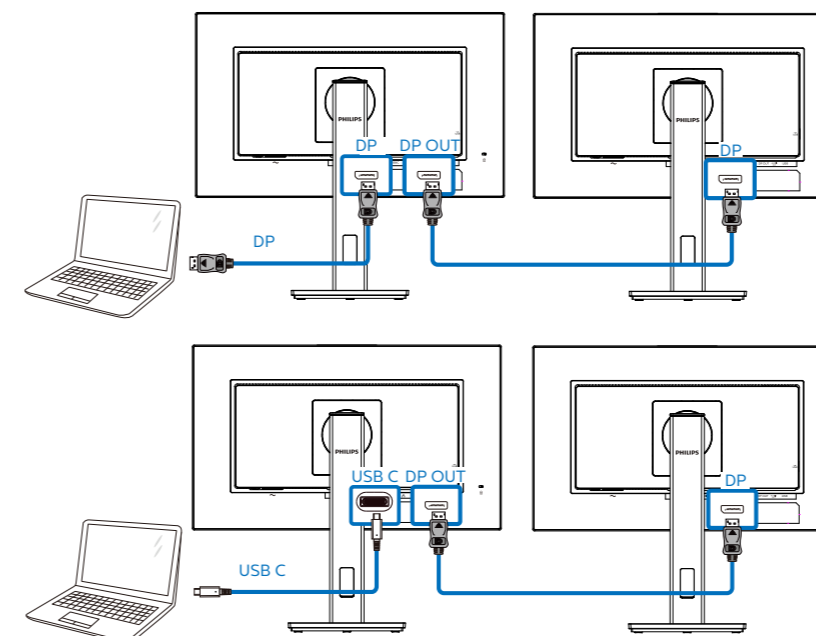
### USB docking (USB C-C)



### USB A-C



### Multi-stream transport



3

