

INSTALLATION AND SERVICE MANUAL

power vented gas-fired unit heaters

models PDP and BDP



All models approved for use in California by the CEC and in Massachusetts. Unit heater is certified for non-residential applications.

FOR YOUR SAFETY

The use and storage of gasoline or other flammable vapors and liquids in open containers in the vicinity of this appliance is hazardous.

⚠ WARNING

1. Improper installation, adjustment, alteration, service, or maintenance can cause property damage, injury, or death, and could cause exposure to substances which have been determined by various state agencies to cause cancer, birth defects, or other reproductive harm. Read the installation, operating, and maintenance instructions thoroughly before installing or servicing this equipment.
2. Do not locate ANY gas-fired units in areas where chlorinated, halogenated, or acidic vapors are present in the atmosphere. These substances can cause premature heat exchanger failure due to corrosion, which can cause property damage, serious injury, or death.

IMPORTANT

The use of this manual is specifically intended for a qualified installation and service agency. All installation and service of these units must be performed by a qualified installation and service agency.

Inspection on Arrival

1. Inspect unit upon arrival. In case of damage, report it immediately to transportation company and your local Modine sales representative.
2. Check rating plate on unit to verify that power supply meets available electric power at the point of installation.
3. Inspect unit upon arrival for conformance with description of product ordered (including specifications where applicable).

Table of Contents

Inspection on Arrival	1
Special Precautions	2
SI (Metric) Conversion Factors	3
Before You Begin	3
Unit Location	4
Combustible Material and Service Clearances	4
Unit Mounting	5
Installation	6
Venting	6
Gas Connections	10
High-Altitude Accessory Kit	11
Electrical	13
Start-Up Procedure/Operation	15
Unit Components	18
Performance Data - General	19
Performance Data - Downturn Hoods	22
Dimensions	24
Service/Troubleshooting	26
Serial/Model Number Designations	29
Commercial Warranty	Back Cover

FOR YOUR SAFETY

WHAT TO DO IF YOU SMELL GAS:

1. Open windows.
2. Do not try to light any appliance.
3. Do not touch any electrical switch; do not use any phone in your building.
4. Extinguish any open flame.
5. Immediately call your gas supplier from a neighbor's phone. Follow the gas supplier's instructions. If you can not reach your gas supplier, call your fire department.

SPECIAL PRECAUTIONS

SPECIAL PRECAUTIONS

THE INSTALLATION AND MAINTENANCE INSTRUCTIONS IN THIS MANUAL MUST BE FOLLOWED TO PROVIDE SAFE, EFFICIENT AND TROUBLE-FREE OPERATION. IN ADDITION, PARTICULAR CARE MUST BE EXERCISED REGARDING THE SPECIAL PRECAUTIONS LISTED BELOW. FAILURE TO PROPERLY ADDRESS THESE CRITICAL AREAS COULD RESULT IN PROPERTY DAMAGE OR LOSS, PERSONAL INJURY, OR DEATH. THESE INSTRUCTIONS ARE SUBJECT TO ANY MORE RESTRICTIVE LOCAL OR NATIONAL CODES.

HAZARD INTENSITY LEVELS

1. **DANGER:** Indicates an imminently hazardous situation which, if not avoided, WILL result in death or serious injury.
2. **WARNING:** Indicates a potentially hazardous situation which, if not avoided, COULD result in death or serious injury.
3. **CAUTION:** Indicates a potentially hazardous situation which, if not avoided, MAY result in minor or moderate injury.
4. **IMPORTANT:** Indicates a situation which, if not avoided, MAY result in a potential safety concern.

DANGER

Appliances must not be installed where they may be exposed to a potentially explosive or flammable atmosphere.

WARNING

1. Gas fired heating equipment must be vented - do not operate unvented.
2. A built-in power exhauster is provided - additional external power exhausters are not required or permitted.
3. If an existing heater is being replaced, it may be necessary to resize the venting systems. Improperly sized venting systems can result in vent gas leakage or the formation of condensate. Refer to the National Fuel Gas Code ANSI Z223.1 (NFPA 54) or CSA B149.1 – latest edition. Failure to follow these instructions can result in injury or death.
4. Under no circumstances should two sections of double wall vent pipe be joined together within one horizontal vent system due to the inability to verify complete seal of inner pipes.
5. All field gas piping must be pressure/leak tested prior to operation. Never use an open flame. Use a soap solution or equivalent for testing.
6. Gas pressure to appliance controls must never exceed 14" W.C. (1/2 psi).
7. To reduce the opportunity for condensation, the minimum sea level input to the appliance, as indicated on the serial plate, must not be less than 5% below the rated input, or 5% below the minimum rated input of dual rated units.
8. Disconnect power supply before making wiring connections to prevent electrical shock and equipment damage.
9. All appliances must be wired strictly in accordance with wiring diagram furnished with the appliance. Any wiring different from the wiring diagram could result in a hazard to persons and property.
10. Any original factory wiring that requires replacement must be replaced with wiring material having a temperature rating of at least 105°C.
11. Ensure that the supply voltage to the appliance, as indicated on the serial plate, is not 5% greater than the rated voltage.

WARNING

12. When servicing or repairing this equipment, use only factory-approved service replacement parts. A complete replacements parts list may be obtained by contacting the factory. Refer to the rating plate on the appliance for complete appliance model number, serial number, and company address. Any substitution of parts or controls not approved by the factory will be at the owner's risk.

CAUTION

1. All literature shipped with this unit should be kept for future use for servicing or service diagnostics. Do not discard any literature shipped with this unit.
2. Consult piping, electrical, and venting instructions in this manual before final installation.
3. Do not attach ductwork, air filters, or polytubes to any propeller unit heater.
4. Clearances to combustible materials are critical. Be sure to follow all listed requirements.
5. Heaters are designed for use in heating applications with ambient startup temperatures between -40°F and 90°F and ambient operating temperatures between 40°F and 90°F.
6. Do not install unit outdoors.
7. In garages or other sections of aircraft hangars such as offices and shops that communicate with areas used for servicing or storage, keep the bottom of the unit at least 7' above the floor unless the unit is properly guarded to provide user protection from moving parts. In parking garages, the unit must be installed in accordance with the standard for parking structures ANSI/NFPA 88A - latest edition, and in repair garages the standard for repair garages NFPA 30A - latest edition (formerly NFPA 88B). In Canada, installation of heaters in airplane hangars must be in accordance with the requirements of the enforcing authority, and in public garages in accordance with the current CSA-B149 codes.
8. In aircraft hangars, keep the bottom of the unit at least 10' from the highest surface of the wings or engine enclosure of the highest aircraft housed in the hangars and in accordance with the requirements of the enforcing authority and/or NFPA 409 - latest edition.
9. Installation of units in high humidity or salt water atmospheres will cause accelerated corrosion, resulting in a reduction of the normal life of the units.
10. Do not install units below 7' measured from the bottom of the unit to the floor in commercial applications (unless unit is properly guarded to provide user protection from moving parts).
11. Be sure no obstructions block air intake and discharge of unit heaters.
12. The minimum distance from combustible material is based on the combustible material surface not exceeding 160°F. Clearance from the top of the unit may be required to be greater than the minimum specified if heat damage, other than fire, may occur to materials above the unit heater at the temperature described.
13. Allow 18" of clearance at rear (or 12" beyond end of motor at rear of unit, whichever is greater) and access side to provide ample air for proper operation of fan.
14. Installation must conform with local building codes or in the absence of local codes, with the National Fuel Gas Code, ANSI Z223.1 (NFPA 54) - latest edition. In Canada installation must be in accordance with CSA-B149.1.

SPECIAL PRECAUTIONS / SI (METRIC) CONVERSION FACTORS

⚠ CAUTION

15. Purging of air from gas supply line should be performed as described in the National Fuel Gas Code, ANSI Z223.1 (NFPA 54) - latest edition. In Canada, installation must be in accordance with CSA-B149.1.
16. When leak testing the gas supply piping system, the appliance and its combination gas control must be isolated during any pressure testing in excess of 14" W.C. (1/2 psi).
17. The unit should be isolated from the gas supply piping system by closing its field installed manual shut-off valve. This manual shut-off valve should be located within 6' of the heater.
18. Turn off all gas before installing appliance.
19. Ensure that the supply voltage to the appliance, as indicated on the serial plate, is not less than 5% below the rated voltage.
20. Check the gas inlet pressure at the unit upstream of the combination gas control. The inlet pressure should be 6-7" W.C. on natural gas or 11-14" W.C. on propane. If inlet pressure is too high, install an additional pressure regulator upstream of the combination gas control.
21. Service or repair of this equipment must be performed by a qualified service agency.
22. Do not attempt to reuse any mechanical or electronic ignition controller which has been wet. Replace defective controller.

IMPORTANT

1. To prevent premature heat exchanger failure, do not locate ANY gas-fired appliances in areas where corrosive vapors (i.e. chlorinated, halogenated, or acidic) are present in the atmosphere.
2. To prevent premature heat exchanger failure, the input to the appliance as indicated on the serial plate, must not exceed the rated input by more than 5%.
3. Start-up and adjustment procedures must be performed by a qualified service agency.

BEFORE YOU BEGIN

⚠ CAUTION

1. All literature shipped with this unit should be kept for future use for servicing or service diagnostics. Leave manual with the owner. Do not discard any literature shipped with this unit.
2. Consult piping, electrical, and venting instructions in this manual before final installation.
3. Do not attach ductwork, air filters, or polytubes to any propeller unit heater.

In the U.S., the installation of these units must comply with the National Fuel Gas Code, ANSI Z223.1 (NFPA 54) - latest edition and other applicable local building codes. In Canada, the installation of these units must comply with local plumbing or waste water codes and other applicable codes and with the current code CSA-B149.1.

1. All installation and service of these units must be performed by a qualified installation and service agency only as defined in ANSI Z223.1 (NFPA 54) - latest edition or in Canada by a licensed gas fitter.
2. This unit is certified with the controls furnished. For replacements parts, please order according to the replacement parts list on serial plate. Always know your model and serial numbers. Modine reserves the right to substitute other authorized controls as replacements.
3. Unit is balanced for correct performance. Do not alter fan or operate motors at speeds below what is shown in this manual.
4. Information on controls is supplied separately.
5. The same burner is used for natural and propane gas.

SI (Metric) Conversion Factors

To Convert	Multiply By	To Obtain
"W.C.	0.249	kPa
°F	(°F-32) x 5/9	°C
BTU	1.06	kJ
Btu/ft ³	37.3	kJ/m ³
Btu/hr	0.000293	kW
CFH (ft ³ /hr)	0.000472	m ³ /min
CFH (ft ³ /hr)	0.00000787	m ³ /s
CFM (ft ³ /min)	0.0283	m ³ /min
CFM (ft ³ /min)	0.000472	m ³ /s
feet	0.305	m
Gal/Hr.	0.00379	m ³ /hr
Gal/Hr.	3.79	l/hr
gallons	3.79	l
Horsepower	746	W
inches	25.4	mm
pound	0.454	kg
psig	6.89	kPa
psig	27.7	"W.C.

SI (METRIC) CONVERSION FACTORS / UNIT LOCATION

UNIT LOCATION



DANGER

Appliances must not be installed where they may be exposed to a potentially explosive or flammable atmosphere.



CAUTION

- Clearances to combustible materials are critical. Be sure to follow all listed requirements.
- Heaters are designed for use in heating applications with ambient startup temperatures between -40°F and 90°F and ambient operating temperatures between 40°F and 90°F.
- Do not install unit outdoors.
- In garages or other sections of aircraft hangars such as offices and shops that communicate with areas used for servicing or storage, keep the bottom of the unit at least 7' above the floor unless the unit is properly guarded. In parking garages, the unit must be installed in accordance with the standard for parking structures ANSI/NFPA 88A - latest edition, and in repair garages the standard for repair garages NFPA 30A - latest edition (formerly NFPA 88B). In Canada, installation of heaters in airplane hangars must be in accordance with the requirements of the enforcing authority, and in public garages in accordance with the current CSA-B149 codes.
- In aircraft hangars, keep the bottom of the unit at least 10' from the highest surface of the wings or engine enclosure of the highest aircraft housed in the hangars and in accordance with the requirements of the enforcing authority and/or NFPA 409 – latest edition.
- Installation of units in high humidity or salt water atmospheres will cause accelerated corrosion resulting in a reduction of the normal life of the units.

IMPORTANT

To prevent premature heat exchanger failure, do not locate ANY gas-fired appliances in areas where corrosive vapors (i.e. chlorinated, halogenated or acidic) are present in the atmosphere.

Location Recommendations

- When locating the heater, consider general space and heating requirements, availability of gas and electrical supply, and proximity to vent locations.
- Avoid installing units in extremely drafty locations. Drafts can cause burner flames to impinge on heat exchangers which shortens life. Maintain separation between units so discharge from one unit will not be directed into the inlet of another.
- Be sure the structural support at the unit location site is adequate to support the unit's weight. For proper operation the unit must be installed in a level horizontal position.
- Do not install units in locations where the flue products can be drawn into the adjacent building openings such as windows, fresh air intakes, etc.
- Be sure that the minimum clearances to combustible materials and recommended service clearances are maintained. Units are designed for installation on non-combustible surfaces with the minimum clearances shown in Figure 4.1 and Tables 4.1 and 4.2.
- Units exposed to inlet air temperatures of 40°F or less, may experience condensation, therefore, provisions should be made for disposal of condensate.
- When locating units, it is important to consider that the exhaust vent piping must be connected to the outside atmosphere.
- Maximum equivalent vent lengths are listed in "Section A - General Instruction - All Units" of the Venting Instructions.

- Do not install units in locations where gas ignition system is exposed to water spray, rain, or dripping water.
- Do not install units below 7', measured from the bottom of the unit to the floor, unless properly guarded to provide protection from moving parts.

Figure 4.1 - Combustible Material and Service Clearances

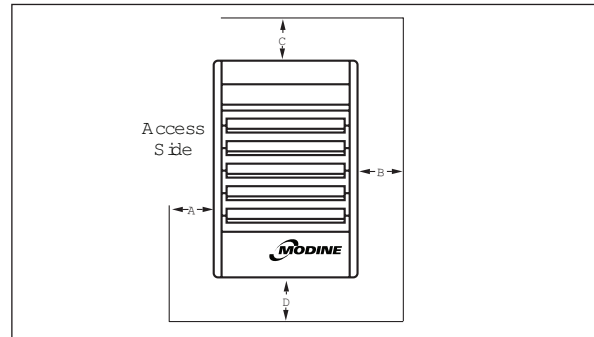


Table 4.1 - Combustible Material Clearances ①

Model Size	Access Side (A)	Non-Access Side (B)	Top (C)	Bottom (D)	Vent Connector (Not shown)
150-175	1"	1"	4"	12"	6"
200-400	1"	1"	5"	12"	7"

① Provide sufficient room around the heater to allow for proper combustion and operation of fan. Free area around the heater must not be less than 1-1/2 times the discharge area of the unit.

Table 4.2 - Recommended Service Clearances

Model Size	Access Side (A)	Non-Access Side (B)	Top (C)	Bottom (D)	Vent Connector (Not shown)
150-175	18"	18"	6"	22"	6"
200-400	18"	18"	6"	25"	7"

Combustion Air Requirements

The National Fuel Gas Code defines an "unconfined space" as a space whose volume is greater than 50 cubic feet per 1,000 Btu/Hr input of the installed appliance(s). A confined space is 50 cubic feet or less per 1,000 Btu/Hr input of the installed appliance(s).

Units installed in tightly sealed buildings or confined spaces must be provided with two permanent openings, one near the top of the confined space and one near the bottom. Each opening should have a free area of not less than one square inch per 1,000 BTU per hour of the total input rating off all units in the enclosure, freely communicating with interior areas having, in turn adequate infiltration from the outside.

For further details on supplying combustion air to a confined (tightly sealed) space or unconfined space, see the National Fuel Gas Code ANSI Z223.1 (NFPA 54) or CSA-B149.1 Installation Code - latest edition.

Sound and Vibration Levels

All standard mechanical equipment generates some sound and vibration that may require attenuation. Libraries, private offices and hospital facilities will require more attenuation, and in such cases, an acoustical consultant may be retained to assist in the application. Locating the equipment away from the critical area is desirable within ducting limitations. Generally, a unit should be located within 15' of a primary support beam. Smaller deflections typically result in reduced vibration and noise transmission.

INSTALLATION

UNIT MOUNTING

1. Be sure the means of suspension is adequate to support the weight of the unit (see pages 24 and 25 for unit weights).
2. For proper operation and to assure that flames are directed into the center of the heat exchanger tubes, the unit must be installed in a level horizontal position. Use a spirit level to ensure that the unit is suspended correctly.
3. Clearances to combustibles as specified in Figure 4.1 and Tables 4.1 and 4.2 must be strictly maintained.
4. All standard units are shipped fully boxed. Larger units are also supplied with skid supports on the bottom of the box. The larger units may be lifted from the bottom by means of a fork lift or other lifting device only if the shipping support skids are left in place and the forks support the whole depth of the unit. If the unit must be lifted from the bottom for final installation without the carton in place, be sure to properly support the unit over its entire length and width to prevent damage. When lifting units, make sure the load is balanced.
5. Propeller models up to size 350 have 2 mounting holes, size 350 and above have 4 mounting holes and blower models up to size 350 have 4 mounting holes, size 350 and above have 6 mounting holes. Units with two point suspension incorporate a level hanging feature. Depending on what options and accessories are being used, the heater may not hang level as received from the factory. Do not hang heaters with deflector hoods until referring to the "Installation Manual for Deflector Hoods" and making the recommended preliminary adjustments on the heater, while the heater is resting on the floor. The units can be mounted with 3/8"-16 threaded rod as follows:

- On each piece of threaded rod used, screw a nut a distance of about 1" onto the end of the threaded rods that will be screwed into the unit heater.
- Place a washer over the end of the threaded rod and screw the threaded rod into the unit heater weld nuts on the top of the heater at least 5 turns, and no more than 10 turns. Tighten the nut first installed onto the threaded rod to prevent the rod from turning.
- Drill holes into a steel channel or angle iron at the same center-line dimensions as the heater that is being installed. The steel channels or angle iron pieces need to span and be fastened to appropriate structural members.
- Cut the threaded rods to the preferred length, place them through the holes in the steel channel or angle iron and secure with washers and lock nuts or lock washers and nuts. A double nut arrangement can be used here instead of at the unit heater (a double nut can be used both places but is not necessary).
- Do not install standard unit heaters above the maximum mounting height shown in Table 19.1.

NOTE: A pipe hanger adapter kit, shown in Figure 5.3, is available as an accessory. One kit consists of drilled 3/4" IPS pipe caps and 3/8" - 16 x 1-3/4" capscrews to facilitate threaded pipe suspension.

Figure 5.1 - Adjustable Mounting Brackets - To Adjust:

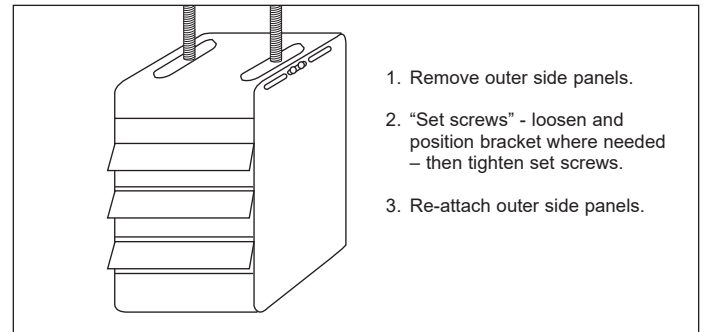
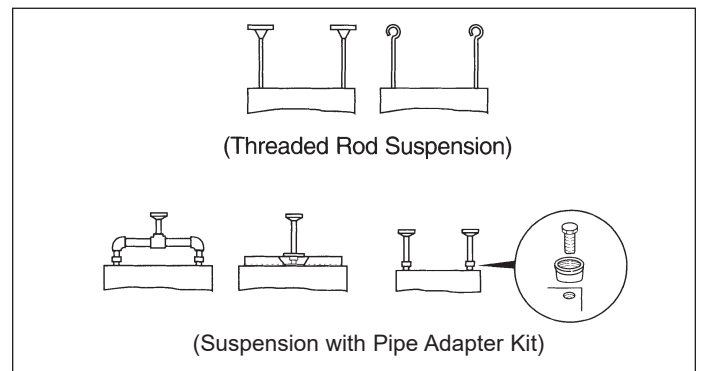


Figure 5.2 - Suspension Methods



INSTALLATION - VENTING

⚠ WARNING

1. Gas fired heating equipment must be vented - do not operate unvented.
2. A built-in power exhauster is provided - additional external power exhausters are not required or permitted.
3. If an existing heater is being replaced, it may be necessary to resize the venting systems. Improperly sized venting systems can result in vent gas leakage or the formation of condensate. Refer to the National Fuel Gas Code ANSI Z223.1 (NFPA 54) or CSA B149.1 - latest edition. Failure to follow these instructions can result in serious injury or death.
4. Under no circumstances should two sections of double wall vent pipe be joined together within one horizontal vent system due to the inability to verify complete seal of inner pipes.

⚠ CAUTION

Installation must conform with local building codes or in the absence of local codes, with the National Fuel Gas Code, ANSI Z223.1 (NFPA 54) - latest edition. In Canada installation must be in accordance with CSA B149.1.

Model PDP and BDP unit heaters must be vented with the proper passageway as described in these instructions to convey flue gases from the unit or the vent connector to the outside atmosphere.

The venting instructions are organized in sections, based on installation type. The sections are identified as follows:

Instructions	Applicable Installation Instructions by Vent System Type
A	General Instructions for ALL Installations
B	VERTICAL CATEGORY I vent systems ①
C	HORIZONTAL CATEGORY III vent systems ②

① The differences between vertical and horizontal vent systems will be identified in "Section A - General Instructions - All Units".

Section A - General Instructions - All Units

- A1. If the unit heater being installed is replacing existing equipment and using the existing vent system from that equipment, inspect the venting system for proper size and horizontal pitch, as required in the National Fuel Gas Code, ANSI Z223.1 (NFPA 54) or CSA B149.1 Installation Code - latest edition and these instructions. Determine that there is no blockage or restriction, leakage, corrosion and other deficiencies, which could cause an unsafe condition.
- A2. The vent pipe should be galvanized steel or other suitable corrosion resistant material. Follow the National Fuel Gas Code for minimum thickness of vent material. The minimum thickness for connectors varies depending on the pipe diameter. Do not vent unit with PVC or other forms of plastic venting material.
- A3. All heaters come with a vent adapter for attaching the vent pipe to the heater (see Table 6.1). Attach the vent pipe to the adapter with 3 corrosion resistant screws. (Drill pilot holes through the vent pipe and adapter prior to screwing in place). Vent pipe must not be smaller than the connector size.
- A4. Limit the total equivalent vent pipe length to fall between the minimum and maximum equivalent vent lengths given

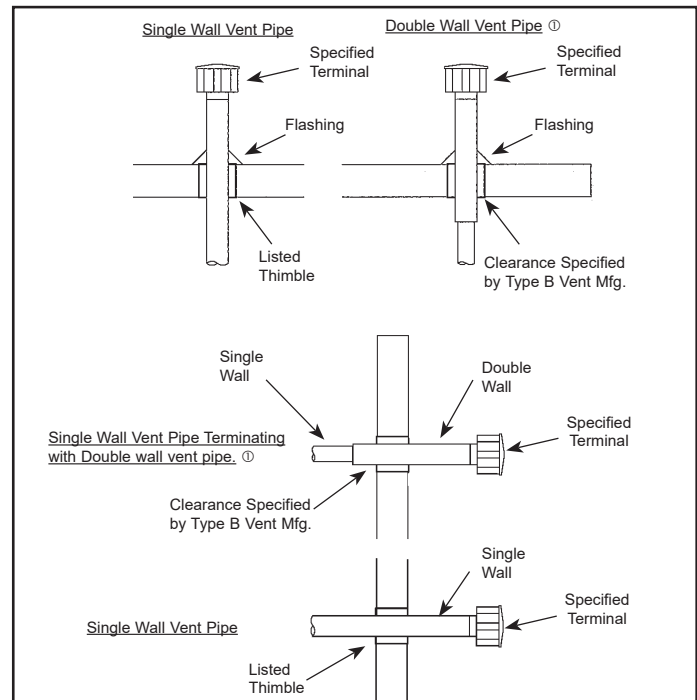
in Table 6.1, making the vent system as straight as possible. The equivalent length of a 5" elbow is 6' and for a 6" elbow is 7'.

- A5. A minimum of 12" straight pipe is recommended from the flue outlet before turns in the vent pipe.
- A6. Horizontal sections of vent pipe are to be installed with an upward or downward slope from the appliance of 1/4" per foot and suspended securely from overhead structures at points not greater than 3' apart.
- A7. Fasten individual lengths of vent together with at least 3 corrosion resistant sheet metal screws.
- A8. Keep single wall vent pipe at least 6" from combustible materials. For double wall vent pipe, follow the vent pipe manufacturer's clearances to combustibles. The minimum distance from combustible materials is based on the combustible material surface not exceeding 160°F. Clearance from the vent pipe (or the top of the unit) may be required to be greater than 6" if heat damage other than fire could result (such as material distortion or discoloration).
- A9. Avoid venting through unheated space when possible. When venting does pass through an unheated space or if the unit is installed in an environment that promotes condensation, insulate runs greater than 5' to minimize condensation. Inspect for leakage prior to insulating and use insulation that is noncombustible with a rating of not less than 400°F. Install a tee fitting at the low point of the vent system and provide a drip leg with a clean out cap as shown in Figure 8.1.

Table 6.1 - Vent Pipe Diameters, Transitions, and Total Equivalent Vent Pipe Lengths for Horizontal Vent Systems

Model Size	Vent Transition Included	Vent Pipe Diameter	Minimum Eqv Length	Maximum Eqv Length
150, 175	4" to 5"	5"	2'	60'
200	6" to 5"	5"	2'	60'
250-400	Not required	6"	2'	70'

Figure 6.1 - Venting Through Combustible Roof or Wall



① See Instruction A12 for attaching single wall pipe to double wall pipe.

INSTALLATION - VENTING

- A10. When the vent passes through a combustible INTERIOR wall or floor, a metal thimble 4" greater than the vent diameter is necessary. If there is 6' or more of vent pipe in the open space between the appliance and where the vent pipe passes through the wall or floor, the thimble need only be 2" greater than the diameter of the vent pipe. If a thimble is not used, all combustible material must be cut away to provide 6" of clearance. Where authorities have jurisdiction, Type B vent may be used for the last section of vent pipe to maintain clearance to combustibles while passing through wall or floor. See Figure 6.1. Any material used to close the opening must be noncombustible.
- A11. Seal all seams and joints of un-gasketed single wall pipe with metal tape or Silastic suitable for temperatures up to 400°F. Wrap the tape 2 full turns around the vent pipe. One continuous section of double wall vent pipe may be used within the vent system to pass through the wall to the listed vent cap. Refer to instruction A12 in "Section A – General Instructions – All Units" for attaching double wall pipe to single wall pipe.
- A12. The following are general instructions for double wall (Type B) terminal pipe installation.

How to attach a single wall vent terminal to double wall (Type B) vent pipe:

1. Look for the "flow" arrow on the vent pipe.
2. Slide the vent terminal inside the exhaust end of the double wall vent pipe.
3. Drill 3 holes through the pipe and the vent terminal. Using 3/4" long sheet metal screws, attach the cap to the pipe. Do not over tighten.

How to connect a single wall vent system to a double wall (Type B) vent pipe:

1. Slide the single wall pipe inside the inner wall of the double wall pipe.
2. Drill 3 holes through both walls of the single and double wall vent pipes. Using 3/4" sheet metal screws, attach the 2 pieces of pipe. Do not over tighten.
3. The gap between the single and double wall pipe must be sealed but it is not necessary to fill the full volume of the annular area. To seal, run a large bead of 400°F silastic around the gap.

- A13. Vent termination clearances must be maintained:

Table 7.1 - Vent Termination Clearances

Structure	Minimum Clearances for Vent Terminal Location
Forced air inlet within 10'	3' above
Combustion air inlet of another appliance	6' all directions
Door, window, gravity air inlet, or any building opening	4' horizontal and below 1' above
Electric meter, gas meter, gas regulator, and relief equipment ①	4' horizontal (U.S.) 6' horizontal (Canada)
Gas regulator ①	3' horizontal (U.S.) 6' horizontal (Canada)
Adjoining building or parapet wall	6' all directions
Adjacent public walkways	7' all directions
Grade (ground level)	3' above

① Do not terminate the vent directly above a gas meter or regulator.

- A14. Do NOT vent this appliance into a masonry chimney.
- A15. Do NOT use dampers or other devices in the vent or combustion air pipes.

- A16. The venting system must be exclusive to a single appliance and no other appliance is allowed to be vented into it.
- A17. Precautions must be taken to prevent degradation of building materials by flue products.
- A18. Single wall vent pipe must not pass through any unoccupied attic, inside wall, concealed space, or floor.
- A19. Uninsulated single wall vent pipe must not be used outdoors for venting appliances in regions where the 99% winter design temperature is below 32°F.
- A20. The vent terminal must be:

Table 7.2 - Vent Terminals

Model Size	Modine PN
150-200	5H0722850004
250-400	5H0722850002

- A21. If left hand (facing front of heater with air blowing in face) power exhauster discharge is desired, the power exhauster may be rotated 180°. To do this, remove the screws in the vent collar, rotate the power exhauster, then replace the screws.
- A22. In addition to following these general instructions, specific instructions for Vertical Category I or Horizontal Category III vent systems must also be followed. The following outlines the differences:

Table 7.3 - ANSI Unit Heater Venting Requirements

Category	Description	Venting Requirements
I	Negative vent pressure Non-condensing	Follow standard venting requirements.
II	Negative vent pressure Condensing	Condensate must be drained.
III	Positive vent pressure Non-condensing	Vent must be gas tight.
IV	Positive vent pressure Condensing	Vent must be liquid and gas tight. Condensate must be drained.

Note: Vent connectors serving Category I appliances shall not be connected into any portion of mechanical draft systems operating under positive pressure.

Vertical Category I Vent

- Vertical vent systems terminate vertically (up) (an example is shown in Figure 8.1).
- The horizontal portion of the vent run cannot exceed 75% of the vertical rise (Example: If the vent height is 10', the horizontal portion of the vent system cannot exceed 7.5').
- The vent terminates a minimum of 5' above the vent connector on the unit.
- If the vent system to be installed meets ALL these criteria (an example is shown in Figure 8.1), proceed to "Section B - Vertical Vent System Installation". For all other cases, proceed to the next section for Horizontal Category III Vent System Determination:

Horizontal Category III Vent

- Horizontal vent systems terminate horizontally (sideways) (an example is shown in Figure 9.2).
- A vent system that terminates vertically but has a horizontal run that exceeds 75% of the vertical rise is considered horizontal.
- Horizontal vent configurations are Category III. Additional requirements are covered in "Section C - Horizontal Category III Vent System Installation".

INSTALLATION - VENTING

Section B – Vertical Vent System Installation

- B1. This section applies to vertically vented Category I vent systems and is in addition to “Section A – General Instructions – All Units”.
- B2. Vertical vent systems terminate vertically and must be sized in accordance with the National Fuel Gas Code, ANSI Z223.1 (NFPA 54) - latest edition.
- B3. The horizontal portion of the vent run cannot exceed 75% of the vertical rise (Example: If the vent height is 10', the horizontal portion of the vent system cannot exceed 7.5').
- B4. It is recommended to install a tee with drip leg and clean out cap as shown in Figure 8.1.
- B5. The vent terminates a minimum of 5' above the vent connector on the unit.
- B6. All vertically vented heaters that are Category I must be connected to a vent complying with a recognized standard, with a material acceptable to the authority having jurisdiction. Venting into a masonry chimney is not permitted. Refer to the National Fuel Gas Code, ANSI Z223.1 (NFPA 54) - latest edition for instructions on common venting.
- B7. Use a listed vent terminal to reduce down drafts and moisture in the vent.
- B8. Double wall vent pipe is recommended, although single wall can be used if the requirements of the National Fuel Gas Code are followed.
- B9. Vertical vents must terminate a minimum horizontal and vertical distance from roof lines and adjacent walls or obstructions. These minimum distances are outlined as follows (based on National Fuel Gas Code requirements for vents with diameters less than 12"):
- For **double wall** vent pipe and **8' or greater** horizontal distance to any vertical wall or similar obstruction, the vent must terminate above the roof in accordance with Figure 8.1 and Table 8.1.
 - For **double wall** vent pipe and **less than 8'** horizontal distance to any vertical wall or similar obstruction, the vent must terminate at least 2' above the highest point where it passes through a roof of a building and at least 2' higher than any portion of a building within a horizontal distance of 10' (see Figure 8.1).

Figure 8.1 - Vertical Category I Vent System

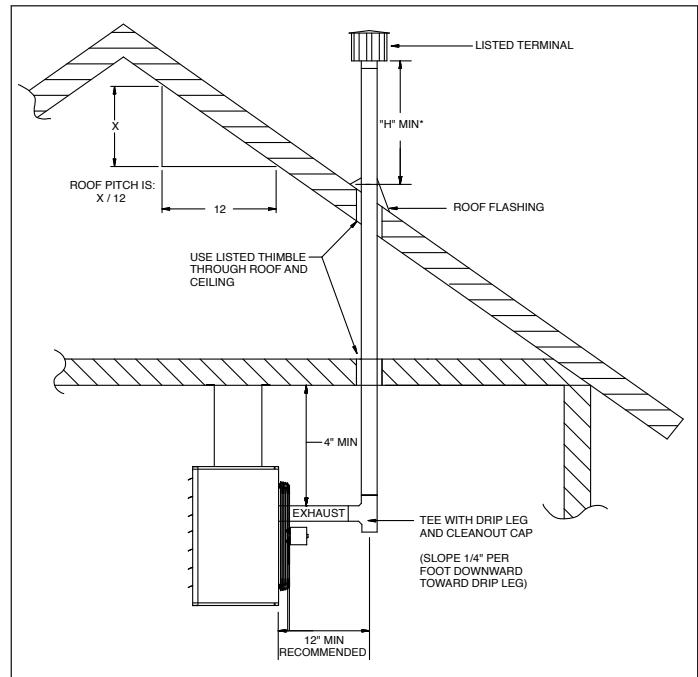


Table 8.1 - Minimum Height from Roof to Lowest Discharge Opening

Rise X (in)	Roof Pitch	Min Height H (ft) ①
0-6	Flat to 6/12	1.00
6-7	6/12 to 7/12	1.25
7-8	7/12 to 8/12	1.50
8-9	8/12 to 9/12	2.00
9-10	9/12 to 10/12	2.50
10-11	10/12 to 11/12	3.25
11-12	11/12 to 12/12	4.00
12-14	12/12 to 14/12	5.00
14-16	14/12 to 16/12	6.00
16-18	16/12 to 18/12	7.00
18-20	18/12 to 20/12	7.50
20-21	20/12 to 21/12	8.00

① Size according to expected snow depth.

- For **single wall** vent pipe and 10' or greater horizontal distance to any portion of a building, the vent must terminate at least 2' above the highest point where it passes through a roof of a building and at least 2' higher than any portion of a building within a horizontal distance of 10'.
- For **single wall** vent pipe and less than 10' horizontal distance to any portion of a building, the vent must terminate at least 2' higher than any portion of that building.

INSTALLATION - VENTING

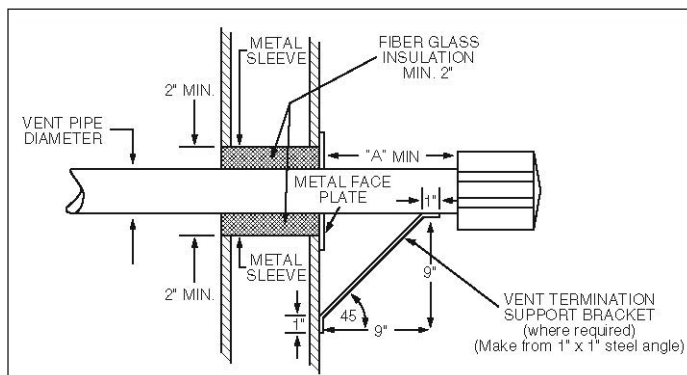
Section C – Horizontal, Category III Vent System Installation

- C1. This section applies to horizontally vented Category III vent systems and is in addition to "Section A – General Instructions – All Units".
- C2. Horizontal vent systems terminate horizontally (sideways).
- C3. Seal all seams and joints of un-gasketed single wall pipe with metal tape or Silastic suitable for temperatures up to 400°F. Wrap the tape 2 full turns around the vent pipe. For single wall vent systems, 1 continuous section of double wall vent pipe may be used within the vent system to pass through the wall to the listed vent cap. Under no circumstances should two sections of double wall vent pipe be joined together within one horizontal vent system due to the inability to verify complete seal of inner pipes. Category III vent systems listed by a nationally recognized agency and matching the diameters specified may be used. Different brands of vent pipe materials may not be intermixed. Refer to instruction A10 in "Section A – General Instructions – All Units" for attaching double wall pipe to single wall pipe.
- C4. Refer to Table 6.1 for total minimum and maximum vent lengths, making the system as straight as possible. The equivalent length of a 90° elbow is 6' for 5" diameter and 7' for 6" diameter.
- C5. All horizontal Category III vents must be terminated with a listed vent cap. The cap must terminate a minimum distance beyond the exterior wall surface as shown in Figure 9.2 and Table 9.1. The vent must be supported as shown in Figure 9.1. Precautions must be taken to prevent degradation of building materials by flue products.

Table 9.1 - Dimension Between Vent Cap and Exterior Wall

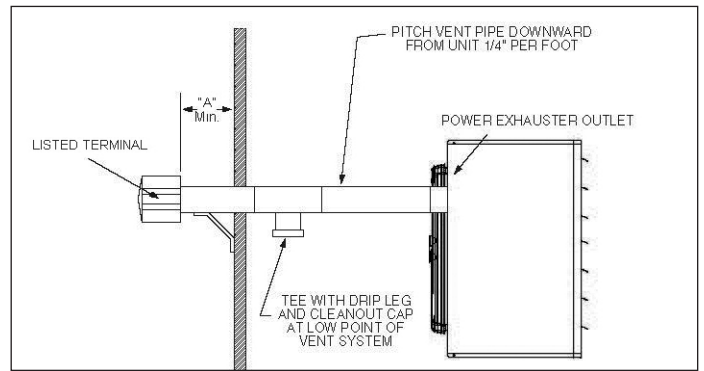
Vent Terminal	"A" Min.
Selkirk, Starkap, or Constant Air-Flo 2433	12"
Modine 5H072285	6"
Tjernlund VH1	0"

Figure 9.1 - Exhaust Vent Construction Through Combustible Walls and Support Bracket



- C6. When condensation may be a problem, the vent system shall not terminate over public walkways or over an area where condensate or vapor could create a nuisance or hazard or could be detrimental to the operation of regulators, relief openings, or other equipment.
- C7. The venting system must be exclusive to a single unit, and no other unit is allowed to be vented into it.
- C8. When vented horizontally, maintain a 1/4" per foot rise away from the heater and place a drip leg with clean out near the unit as shown in Figure 9.2. Where local authorities have jurisdiction, a 1/4" per foot downward slope is acceptable

Figure 9.2 - Horizontal Venting



- C9. For a vent termination located under an eave, the distance of the overhang must not exceed 24". The clearance to combustibles above the exterior vent must be maintained at a minimum of 12". Consult the National Fuel Gas Code for additional requirements for eaves that have ventilation openings.
- C10. Once venting is complete, proceed to the section titled "Installation – Gas Connections".

INSTALLATION

GAS CONNECTIONS

! WARNING

1. All field gas piping must be pressure/leak tested prior to operation. Never use an open flame. Use a soap solution or equivalent for testing.
2. Gas pressure to appliance controls must never exceed 14" W.C. (1/2 psi).
3. To reduce the opportunity for condensation, the minimum sea level input to the appliance, as indicated on the serial plate, must not be less than 5% below the rated input, or 5% below the minimum rated input of dual rated units.

! CAUTION

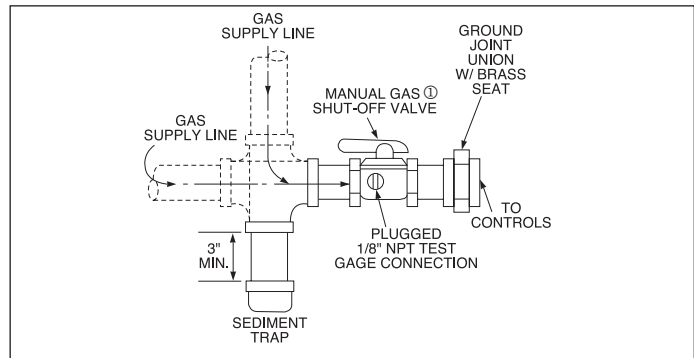
1. Purging of air from gas lines should be performed as described in the National Fuel Gas Code, ANSI Z223.1 (NFPA 54) - latest edition or in Canada CSA-B149 codes.
2. When leak testing the gas supply piping system, the appliance and its combination gas control must be isolated during any pressure testing in excess of 14" W.C. (1/2 psi).
3. The unit should be isolated from the gas supply piping system by closing its field installed manual shut-off valve. This manual shut-off valve should be located within 6' of the heater.
4. Turn off all gas before installing appliance.

IMPORTANT

To prevent premature heat exchanger failure, the input to the appliance, as indicated on the serial plate, must not exceed the rated input by more than 5%.

1. Installation of piping must conform with local building codes, or in the absence of local codes, with the National Fuel Gas Code, ANSI Z223.1 (NFPA 54) - Latest Edition. In Canada, installation must be in accordance with CSA-B149.1.
2. Piping to units should conform with local and national requirements for type and volume of gas handled, and pressure drop allowed in the line. Refer to Table 10.1 to determine the cubic feet per hour (cfh) for the type of gas and size of unit to be installed. Using this cfh value and the length of pipe necessary, determine the pipe diameter from Table 10.2. Where several units are served by the same main, the total capacity, cfh and length of main must be considered. Avoid pipe sizes smaller than 1/2". Table 10.1 allows for a 0.3" W.C. pressure drop in the supply pressure from the building main to the unit. The inlet pressure to the unit must be 6-7" W.C. for natural gas and 11-14" W.C. for propane gas. When sizing the inlet gas pipe diameter, make sure that the unit supply pressure can be met after the 0.3" W.C. has been subtracted. If the 0.3" W.C. pressure drop is too high, refer to the Gas Engineer's Handbook for other gas pipe capacities.
3. Install a ground joint union with brass seat and a manual shut-off valve adjacent to the unit for emergency shut-off and easy servicing of controls, including a 1/8" NPT plugged tapping accessible for test gauge connection (see Figure 10.1).
4. Use 2 wrenches when connecting field piping to units.
5. Provide a sediment trap before each unit and in the line where low spots cannot be avoided (see Figure 10.1).
6. When pressure/leak testing, pressures above 14" W.C. (1/2 psi), close the field installed shut-off valve, disconnect the appliance and its combination gas control from the gas supply line, and plug the supply line before testing. When testing pressures 14" W.C. (1/2 psi) or below, close the manual shut-off valve on the appliance before testing.

Figure 10.1 - Recommended Sediment Trap/Manual Shut-off Valve Installation for Gas Connection



① Manual shut-off valve is in the "OFF" position when handle is perpendicular to pipe.

Table 10.1 - Sea Level Manifold Pressure & Gas Consumption ①

Model Size	Manifold Pressure ("W.C.)	Natural	Propane	# of Orifices
		3.5	10	
150	CFH	138.1	58.0	2
	Gal/Hr. Propane	-	1.64	
	Orifice Drill Size	21	39	
175	CFH	166.7	70.0	3
	Gal/Hr. Propane	-	1.86	
	Orifice Drill Size	28	43	
200	CFH	190.5	80.0	3
	Gal/Hr. Propane	-	2.19	
	Orifice Drill Size	25	42	
250	CFH	238.1	100.0	3
	Gal/Hr. Propane	-	2.74	
	Orifice Drill Size	18	36	
300	CFH	285.7	120.0	4
	Gal/Hr. Propane	-	3.29	
	Orifice Drill Size	21	39	
350	CFH	333.3	140.0	5
	Gal/Hr. Propane	-	3.84	
	Orifice Drill Size	23	41	
400	CFH	381.0	160.0	6
	Gal/Hr. Propane	-	4.38	
	Orifice Drill Size	25	42	

Table 10.2 - Gas Pipe Capacities - Natural Gas ①②

Pipe Length (ft)	Natural Gas					
	1/2"	3/4"	1"	1-1/4"	1-1/2"	2"
10	132	278	520	1050	1600	3050
20	92	190	350	730	1100	2100
30	73	152	285	590	890	1650
40	63	130	245	500	760	1450
50	56	115	215	440	670	1270
60	50	105	195	400	610	1150
70	46	96	180	370	560	1050
80	43	90	170	350	530	930
100	38	79	150	305	460	870
125	34	72	130	275	410	780
150	31	64	120	250	380	710

① Capacities in cubic feet per hour through Schedule 40 pipe with maximum 0.3" W.C. pressure drop with up to 14" W.C. gas pressure. Specific gravity is 0.60 for natural gas and 1.50 for propane gas.

② For pipe capacity with propane gas, divide natural gas capacity by 1.6. Example: What is the propane gas pipe capacity for 60' of 1-1/4" pipe? The natural gas capacity is 400 CFH. Divide by 1.6 to get 250 CFH for propane gas.

INSTALLATION - HIGH ALTITUDE ACCESSORY KIT

HIGH ALTITUDE ACCESSORY KIT

Modine's gas-fired equipment standard input ratings are certified by ETL. For elevations above 2,000', ANSI Z223.1 requires ratings be reduced 4 percent for each 1000' above sea level. For units in Canada, CSA requires that ratings be reduced 10 percent at elevations above 2,000'. The high altitude adjustment instructions and pressure switch kits listed in this manual are for use with units that will be installed over 2,000'. These methods and kits comply with both ANSI Z223.1 and CSA requirements.

If a unit is to be installed at higher elevations AND converted from natural gas to propane gas operation, a propane conversion kit must be used in conjunction with the pressure adjustment methods and pressure switch kits listed herein. For the Selection and Installation Instructions for propane conversion kits, please see the latest revision of Modine Manual 75-511.

Selection of the Proper Pressure and Kit

To determine the proper manifold pressure at altitude and if required, the proper combustion air pressure switch kit, the full model number of the heater, the fuel to be used, and the altitude the unit will be installed at must be known. Refer to the unit serial plate or carton label to obtain the necessary information about the unit.

After obtaining this information, refer to the gas pressure and selection charts shown in Tables 11.1 through 11.3. The pressure charts are differentiated by elevation, fuel type, and country the product is being installed in. The selection charts are differentiated by product type, altitude and fuel type. **If converting from natural gas to propane gas and operation at high altitude, both a propane conversion kit and a pressure switch kit must be used (if applicable).** Selection charts include the proper kit suffix, when required.

Table 11.1 - Natural Gas Heating Values at Altitude ① ③ ④

Altitude (ft)	Gas Heating Values at Altitude (BTU/ft ³)	
	USA	Canada
0-2,000	1,050	1,050
2,001-3,000	929	945
3,001-4,000	892	
4,001-4,500	874	
4,501-5,000	856	856
5,001-6,000	822	822
6,001-7,000	789	789
7,001-8,000	757	757
8,001-9,000	727	727
9,001-10,000	698	698

- ① Values shown are for 3.5" W.C. manifold pressure, for other BTU content values (available from local utility) use Equation 12.1 to calculate manifold pressure.
- ② Values shown are for 10.0" W.C. manifold pressure, for other BTU content values (available from local utility) use Equation 12.1 to calculate manifold pressure.
- ③ When installed at altitudes above 2,000', a pressure switch may need to be changed. Refer to Table 11.3 to determine if a switch change is required.
- ④ Gas heating values are derated 4% per 1,000' of elevation in the USA and 10% between 2,000' and 4,500' elevation in Canada in accordance with ANSI Z223.1 and CSA-B149, respectively.

Table 11.3 - High Altitude Kits for PDP/BDP ①

Model Size	Details	U.S.A. and Canada				
		0-2,000 ft	2,001-4,500 ft	4,501-5,500 ft	5,501-6,500 ft	6,501-7,500 ft
150-400	Kit Suffix	Not required	Label only	Label only	Label only	Label only
	Item Code					

- ① For Label Only kits, Modine part number 5H0807146005 is required to be filled out and attached to the unit by the installer. Please contact the local Modine representative at 1.800.828.4328 (HEAT).

Manifold Pressure Adjustment

The inlet pressure to the unit must be confirmed to be within acceptable limits (6-7" W.C. for natural gas and 11-14" W.C. for propane gas) before opening the shutoff valve or the combination gas valve may be damaged.

Heaters for use with **natural gas** have gas valves that need to be feild set at 3.5" W.C. manifold pressure at 7.0" W.C. inlet pressure.

Units for use with **propane gas** need to be feild set for 10.0" W.C. manifold pressure at 14.0" W.C. inlet pressure.

Installation above 2,000'. elevation requires adjustment of the manifold pressure as described.

Derated BTU Content Gas and Manifold Pressure Calculation

Some utility companies may derate the BTU content (heating value) of the gas provided at altitude to a value other than 1,050 BTU/ft³ for natural gas or 2,500 BTU/ft³ for propane gas to allow certain heating appliances to be used with no manifold pressure adjustments. For this reason it is necessary that the supplying utility be contacted for detailed information about the gas type and BTU content (heating value) before operating any heater. Tables 11.1 and 11.2 show the standard derated heating values (4% per 1,000' of elevation in the USA and 10% between 2,001' and 4,500' elevation in Canada) of natural and propane gases at various altitudes. If the utility is supplying gas with heating values as shown in Tables 11.1 and 11.2, the manifold pressure should be set to 3.5" W.C for natural gas and 10.0" W.C. for propane gas.

NOTE: Only the high fire gas pressure need be adjusted, low fire gas pressure should remain the same.

Table 11.2 - Propane Gas Heating Values at Altitude ② ③ ④

Altitude (ft)	Gas Heating Values at Altitude (BTU/ft ³)	
	USA	Canada
0-2,000	2,500	2,500
2,001-3,000	2,212	2,250
3,001-4,000	2,123	
4,001-4,500	2,080	
4,501-5,000	2,038	2,038
5,001-6,000	1,957	1,957
6,001-7,000	1,879	1,879
7,001-8,000	1,803	1,803
8,001-9,000	1,731	1,731
9,001-10,000	1,662	1,662

INSTALLATION - HIGH ALTITUDE ACCESSORY KIT

If the heating value of the gas being supplied is different than the values shown in Tables 11.1 and 11.2, use the following equation to determine the appropriate manifold pressure for the altitude and gas heating value being supplied.

Equation 12.1 - Manifold Pressure for Derated Gas

$$MP_{ACT} = \left(\frac{BTU_{TBL}}{BTU_{ACT}} \right)^2 \times MP_{SL}$$

WHERE:

MP_{ACT} = **Manifold Pressure (in. W.C.) at Altitude** –
Manifold pressure setting for the heater being installed

BTU_{TBL} = **BTU/ft³ Content of Gas** –
Obtained from Tables 11.1 or 11.2 (whichever is applicable)

BTU_{ACT} = **BTU/ft³ Content of Gas** –
Obtained from the local utility company

MP_{SL} = **Manifold Pressure (in. W.C.), at Sea Level** –
Use 3.5" W.C. for natural gas and 10.0" W.C. for propane gas

NOTE: Only the primary manifold pressure should be adjusted on units equipped with 2-stage or modulating gas controls. No adjustments to the low fire manifold pressure are necessary on these units.

INSTALLATION

ELECTRICAL CONNECTIONS

! WARNING

1. Disconnect power supply before making wiring connections to prevent electrical shock and equipment damage.
2. All appliances must be wired strictly in accordance with wiring diagram furnished with the appliance. Any wiring different from the wiring diagram could result in a hazard to persons and property.
3. Any original factory wiring that requires replacement must be replaced with wiring material having a temperature rating of at least 105°C.
4. Ensure that the supply voltage to the appliance, as indicated on the serial plate, is not 5% greater than rated voltage.

! CAUTION

Ensure that the supply voltage to the appliance, as indicated on the serial plate, is not 5% less than the rated voltage.

1. Installation of wiring must conform with local building codes, or in the absence of local codes, with the National Electric Code ANSI/NFPA 70 - Latest Edition. Unit must be electrically grounded in conformance to this code. In Canada, wiring must comply with CSA C22.1, Part 1, Electrical Code.
 2. Two copies of the unit wiring diagram are provided with each unit. One is located in the electrical junction box and the other is supplied in the literature packet. Refer to this diagram for all wiring connections.
 3. Make sure all multi-voltage components (motors, transformers, etc.) are wired in accordance with the power supply voltage.
 4. The power supply to the unit must be protected with a fused or circuit breaker switch.
 5. The power supply must be within 10 percent of the voltage rating and each phase must be balanced within 2 percent of each other. If not, advise the utility company.
 6. External electrical service connections that must be installed include:
 - a. Supply power connection (120, 208, 240, 480, or 575 volts).
 - b. Thermostats, summer/winter switches, or other accessory control devices that may be supplied (24 volts).
- NOTE:** Certain units will require the use of a field step-down transformer. Refer to the serial plate to determine the unit supply voltage required. Additional information may be found in Tables 19.2 and 19.3 and in the step down transformer installation instructions.
7. Refer to Figure 18.1 for the electrical junction box locations.
 8. All supply power electrical connections are made in the electrical junction box of the unit. The low voltage (thermostat and accessory control devices) can be wired to the terminals on the electrical junction box. Refer to the wiring diagram for the terminal location of all low voltage wiring.

DUCT INSTALLATION

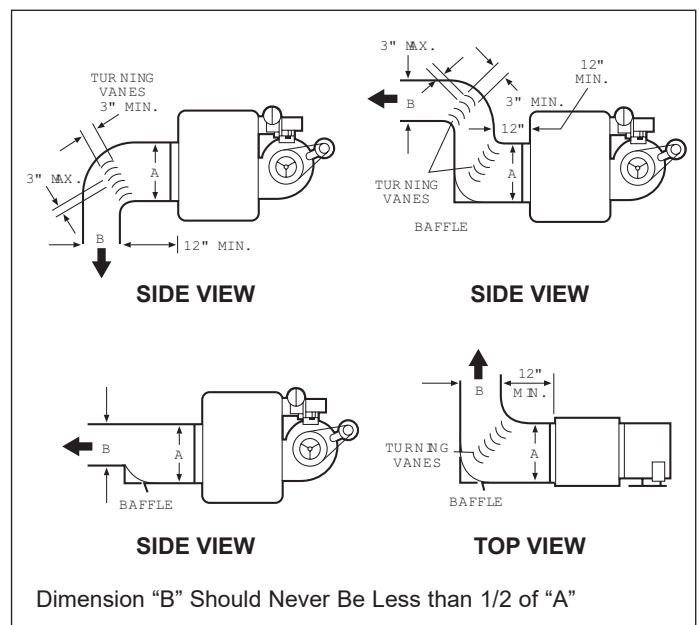
IMPORTANT

Do not attempt to attach ductwork of any kind to propeller models.

When installing the heater, always follow good duct design practices for even distribution of the air across the heat exchanger. Recommended layouts are shown in Figure 13.1. When installing blower units with ductwork the following must be done.

1. **Provide uniform air distribution over the heat exchanger.** Use turning vanes where required (see Figure 13.1).
2. Provide removable access panels in the ductwork on the downstream side of the unit heater. These openings should be large enough to view smoke or reflect light inside the casing to indicate leaks in the heat exchanger and to check for hot spots on exchanger due to poor air distribution or lack of sufficient air.
3. If ductwork is connected to the rear of the unit use a Modine blower enclosure kit or if using a field designed enclosure maintain dimensions of the blower enclosure as shown on page 25.

Figure 13.1 - Recommended Ductwork Installations



Additional Requirements for Blower Model BDP

Determining Blower Speed

The drive assembly and motor on all blower units are factory assembled and adjusted for operation under average conditions of air flow and without any external static pressure. The motor sheave should be adjusted as required when the unit is to be operated at other than average air flows and/or with external static pressures. Adjustment must always be within the performance range shown on page 20 and the temperature rise range shown on the unit's rating plate.

To determine the proper blower speed and motor sheave turns open, the operating conditions must be known. For example, a model BDP350 unit, operating with no external static pressure, (e.g. no ductwork, nozzles, etc.) is to deliver an air volume of 6481 cfm (cfm = cubic feet per minute). This requires the unit be supplied with a 5 hp motor, a -207 drive, and the drive sheave set at 2.5 turns open to achieve a blower speed of 960

INSTALLATION

rpm (see performance table for units with or without blower enclosure, page 20). See "Blower Adjustments" for setting of drive pulley turns open.

If a blower unit is to be used with ductwork or nozzles, etc., the total external static pressure under which the unit is to operate, and the required air flow must be known before the unit can be properly adjusted. Any device added externally to the unit, and which the air must pass through, causes a resistance to air flow called pressure loss.

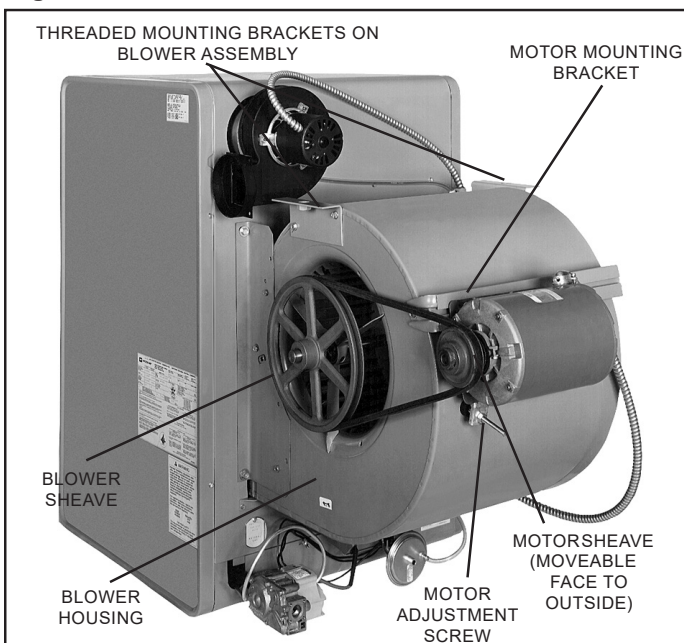
If Modine filters are used, the pressure loss through the filters is included in the performance data on page 20. If Modine supplied discharge nozzles are used, the pressure drop of the nozzles can be found footnoted at the bottom of page 23. If filters, nozzles or ductwork are to be used with the unit, and they are not supplied by Modine, the design engineer or installing contractor must determine the pressure loss for the externally added devices or ductwork to arrive at the total external static pressure under which the unit is to operate.

Once the total static pressure and the required air flow are known, the operating speed of the blower can be determined and the correct motor sheave adjustments made. As an example, a model BDP350 is to be used with a Modine supplied blower enclosure and filters attached to ductwork by others. The unit is to move 6481 cfm of air flow against an external static pressure of 0.2" W.C, which must be added for the filter pressure drop for a total of 0.4" W.C. total pressure drop. The performance table on page 20 for a BDP350, at 6481 cfm and 0.4" W.C. static pressure, shows that the unit will require a 5 hp motor using a -207 drive, and the motor sheave should be set at .5 turns open to achieve a blower speed of 1050 rpm.

To Install

1. Remove and discard the motor tie down strap and the shipping block beneath the belt tension adjusting screw (Not used on all models.)
2. For 3 and 5 HP motors, affix sheave to the motor shaft and install motor on the motor mounting bracket. Install belt on blower and motor sheaves.

Figure 14.1 - Blower Model



3. Adjust motor adjusting screw for a belt deflection of approximately 3/4" with five pounds of force applied midway between the sheaves (see Figure 14.3). Since the belt tension will decrease dramatically after an initial run-in period, it is necessary to periodically re-check the tension. Excessive tension will cause bearing wear and noise.
4. The blower bearings are lubricated for life; however, before initial unit operation the blower shaft should be lubricated at the bearings with SAE 20 oil. This will reduce initial friction and start the plastic lubricant flowing.
5. Make electrical connections as outlined in the section "Electrical Connections" on page 13.

Blower Adjustments

Following electrical connections, check blower rotation to assure blow-through heating. If necessary interchange wiring to reverse blower rotation. Start fan motor and check blower sheave RPM with a hand-held or strobe-type tachometer. RPM should check out with the speeds listed in "Performance Data" shown on page 20. A single-speed motor with an adjustable motor sheave is supplied with these units. If blower fan speed changes are required, adjust motor sheave as follows:

NOTE: Do not fire unit until blower adjustment has been made or unit may cycle on limit (overheat) control.

1. **Shut-off power before making blower speed adjustments.** Refer to "Determining Blower Speed" on page 13 and to "Performance Data" on page 20 to determine proper blower RPM.
2. Loosen belt and remove from motor sheave.
3. Loosen set screw on outer side of adjustable motor sheave (see Figure 14.2).
4. To reduce the speed of the blower, turn outer side of motor sheave counterclockwise.
5. To increase the speed of the blower, turn outer side of motor sheave clockwise.
6. Retighten motor sheave set screw, replace belt and retighten motor base. Adjust motor adjusting screw such that there is 3/4" belt deflection when pressed with 5 pounds of force midway between the blower and motor sheaves (see Figure 14.3). Since the belt tension will decrease dramatically after an initial run-in period, it is necessary to periodically re-check the tension to assure proper belt adjustment.
7. Check to make certain motor sheave and blower sheave are aligned. Re-align if necessary.
8. Re-check blower speed after adjustment.
9. Check motor amps. Do not exceed amps shown on motor nameplate. Slow blower if necessary.
10. Check air temperature rise across unit. Check temperature rise against values shown in Performance Tables on page 20 to assure actual desired air flow is being achieved.
11. If adjustments are required, recheck motor amps after final blower speed adjustment.

Figure 14.2 - Motor Sheave Adjustment

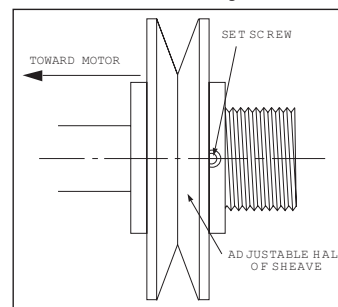
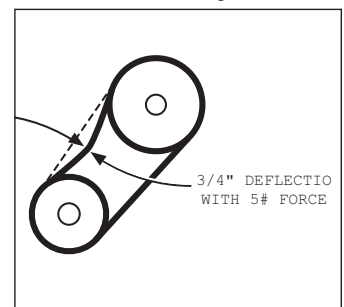


Figure 14.3 - Belt Tension Adjustment



START-UP PROCEDURE

IMPORTANT

1. To prevent premature heat exchanger failure, observe heat exchanger tubes. If the bottom of the tubes become red while blower and furnace are in operation, check to be sure the blower has been set to the proper rpm for the application. Refer to page 14 for blower adjustments.
 2. Start-up and adjustment procedures must be performed by a qualified service agency.
1. Turn off power to the unit at the disconnect switch. Check that fuses or circuit breakers are in place and sized correctly. Turn all hand gas valves to the "OFF" position.
 2. Remove electrical junction box cover.
 3. Check that the supply voltage matches the unit supply voltage listed on the Model Identification Plate. Verify that all wiring is secure and properly protected. Trace circuits to insure that the unit has been wired according to the wiring diagram. If installed at altitudes above 2,000' and the high altitude kit includes a combustion air proving switch, replace the switch in the unit with the switch provided in the kit. Take care to ensure that the tubing and electrical connections are securely fastened.
 4. Check to insure that the venting system is installed correctly and free from obstructions.
 5. Check to see that there are no obstructions to the intake and discharge of the unit.
 6. For blower units, check the belt tension and sheave alignment. Refer to "Blower Adjustments" for proper belt tension.
 7. Check bearings for proper lubrication (if applicable).
 8. Check to make sure that all filters are in place and that they are installed properly according to direction of air flow (if applicable).
 9. Perform a visual inspection of the unit to make sure no damage has occurred during installation. Lower bottom pan and visually inspect all components in the burner compartment. Check to ensure all fasteners are in place and the burner openings are properly aligned with the heat exchanger tubes and that the gas orifices are centered in the burner inspirator tube opening, as shown in Figure 16.2.
 10. Check that all horizontal deflector blades are open a minimum of 30° as measured from vertical.
 11. Turn on power to the unit at the disconnect switch. Check to insure that the voltage between electrical junction box terminals T1 and G is 24V.
 12. Check the thermostat, ignition control, gas valve, and supply fan blower motor for electrical operation. If these do not function, recheck the wiring diagram. Check to insure that none of the Control Options have tripped.
 13. Check the blower wheel for proper direction of rotation when compared to the air flow direction arrow on the blower housing (if applicable). Blower wheel rotation, not air movement, must be checked as some air will be delivered through the unit with the blower wheel running backwards.
 14. For blower units, check the blower speed (rpm). Refer to "Blower Adjustments" for modification.
 15. Check the motor speed (rpm).
 16. Check the motor voltage. On three phase systems, check to make sure all legs are in balance.
 17. Check the motor amp draw to make sure it does not exceed the motor nameplate rating. On three phase systems, check all legs to insure system is balanced.
 18. Recheck the gas supply pressure at the field installed manual shut-off valve. The minimum inlet pressure should be 6" W.C. on natural gas and 11" W.C. on propane gas. The maximum inlet pressure for either gas is 14" W.C. If inlet pressure exceeds 14" W.C., a gas pressure regulator must be added upstream of the combination gas valve.
 19. Open the field installed manual gas shut-off valve.
 20. Open the manual main gas valve on the combination gas valve. Call for heat with the thermostat and allow the pilot to light for intermittent pilot ignition. If the pilot does not light, purge the pilot line. If air purging is required, disconnect the pilot line at outlet of pilot valve. In no case should line be purged into heat exchanger. Check the pilot flame length (See "Pilot Flame Adjustment").
 21. Once the pilot has been established, check to make sure that the main gas valve opens. Check the manifold gas pressure (see "Main Gas Adjustment") and flame length (see "Air Shutter Adjustment") while the supply fan blower is operating. Inspect the condition of the main flame and if necessary, resolve flame appearance problems (see "Burner Flame Adjustment" and Figures 28.1 through 28.4).
 22. Check to insure that gas controls sequence properly (see "Control Operating Sequence"). Verify if the unit has any additional control devices and set according to the instructions in the "Control Options".
 23. Once proper operation of the unit has been verified, remove any jumper wires that were required for testing.
 24. Replace the electrical junction box cover.
 25. If installed at altitudes above 2,000', affix label included with high altitude kit and fill in all fields with a permanent marker.

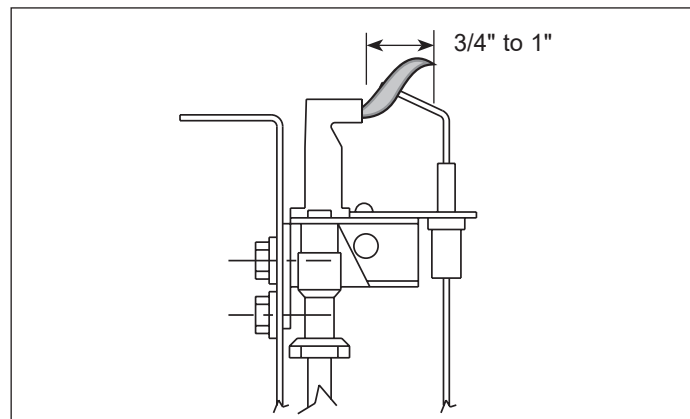
Pilot Burner Adjustment

The pilot burner is orificed to burn properly with an inlet pressure of 6-7" W.C. on natural gas and 11-14" W.C. on propane gas, but final adjustment must be made after installation. If the pilot flame is too long or large, it is possible that it may cause soot and/or impinge on the heat exchanger, causing failure. If the pilot flame is shorter than shown, it may cause poor ignition and result in the controls not opening the combination gas control. A short flame can be caused by a dirty pilot orifice. Pilot flame condition should be observed periodically to assure trouble-free operation.

To Adjust the Pilot Flame

1. Create a call for heat from the thermostat.
2. Remove the cap from the pilot adjustment screw. For location, see the combination gas control literature supplied with unit.
3. Adjust the pilot length by turning the screw in or out to achieve a soft steady flame 3/4" to 1" long and encompassing 3/8"-1/2" of the tip of the thermocouple or flame sensing rod (see Figure 15.1).
4. Replace the cap from the pilot adjustment screw.

Figure 15.1 - Correct Pilot Flame



START-UP PROCEDURE

Main Burner Adjustment

The gas pressure regulator (integral to the combination gas control) is adjusted at the factory for average gas conditions. It is important that gas be supplied to the unit heater in accordance with the input rating on the serial plate. Actual input should be checked and necessary adjustments made after the unit heater is installed. Over-firing, a result of too high an input, reduces the life of the appliance and increases maintenance. Under no circumstances should the input exceed that shown on the serial plate.

Measuring the manifold pressure is done at the outlet pressure tap of the gas valve (see Figure 16.1).

To Adjust the Manifold Pressure

1. Move the field installed manual shut-off valve to the "OFF" position.
2. Remove the 1/8" pipe plug in the pipe tee or gas valve and attach a water manometer of "U" tube type which is at least 12" high.
3. Move the field installed manual gas shut-off valve to the "ON" position.
4. Create a high fire call for heat from the thermostat.
5. Determine the correct high fire manifold pressure (3.5" W.C. for natural gas, 10" W.C. for propane gas). (Pressures at 0-2,000' elevation are 3.5" W.C. for natural gas, 10" W.C. for propane gas, for elevations above 2,000' refer to the instructions in "Gas Connections - High Altitude Accessory Kit" on page 11). Adjust the main gas pressure regulator spring to achieve the proper manifold pressure (for location, see the combination gas control literature supplied with unit).
6. After adjustment, move the field installed manual shut-off valve to the "OFF" position and replace the 1/8" pipe plug.
7. After the plug is in place, move the field installed manual shut-off valve to the "ON" position and recheck pipe plugs for gas leaks with soap solution.

Burner Flame Adjustment

Proper operation provides a soft blue flame with a well-defined inner core. A lack of primary air will reveal soft yellow-tipped flames. Excess primary air produces short, well-defined flames with a tendency to lift off the burner ports. For both natural and propane gas, the flame may be adjusted by sliding the manifold. Also, for units with the air shutters, they can be adjusted to control the burner flame height. The air shutters can be accessed by lowering the bottom pan of the unit heater.

Natural Gas Flame Control

Control of burner flames on unit heaters utilizing natural gas is achieved by resetting the manifold position to either increase or decrease primary combustion air. Prior to flame adjustment, operate unit heater for about fifteen minutes. The main burner flame can be viewed after loosening and pushing aside the flame observation disc on the back of the unit.

To increase primary air, loosen the manifold mounting screws and move the manifold away from the burner until the yellow-tipped flames disappear (see Figure 16.2). To decrease primary air, move manifold closer to the burner until flames no longer lift from burner ports, but being careful not to cause yellow tipping. Retighten manifold mounting screws after adjustment.

Propane Gas Flame Control

An optimum flame will show a slight yellow tip. Prior to flame adjustment, operate heater for at least 15 minutes. Loosen air shutter set screws and move the air shutters away from the manifold to reduce the primary air until the yellow flame tips appear (see Figure 16.3). Then increase the primary air until yellow tips diminish and a clean blue flame with a well-defined inner cone appears.

It may also be necessary to adjust the manifold position in addition to adjusting air shutters to obtain proper flame. Follow the instructions under "Natural Gas Flame Control" for adjusting the manifold.

Figure 16.1 - Typical Combination Gas Control

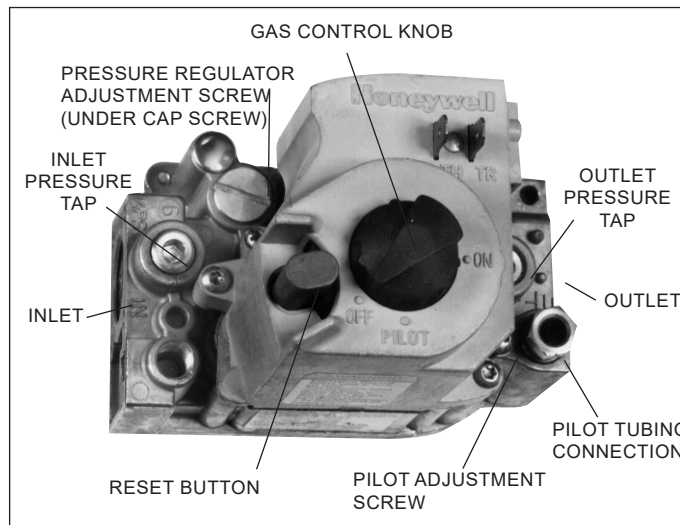


Figure 16.2 - Manifold Adjustment, Natural Gas

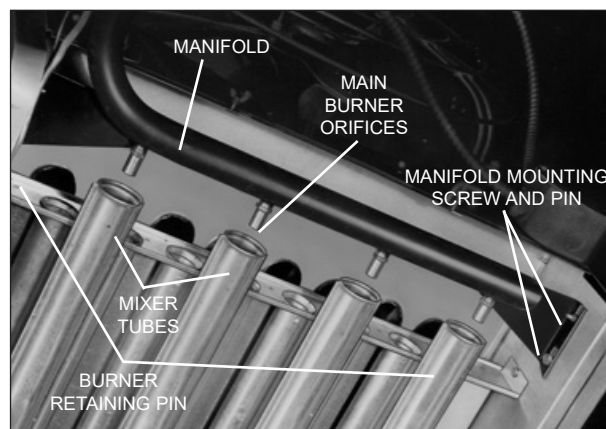
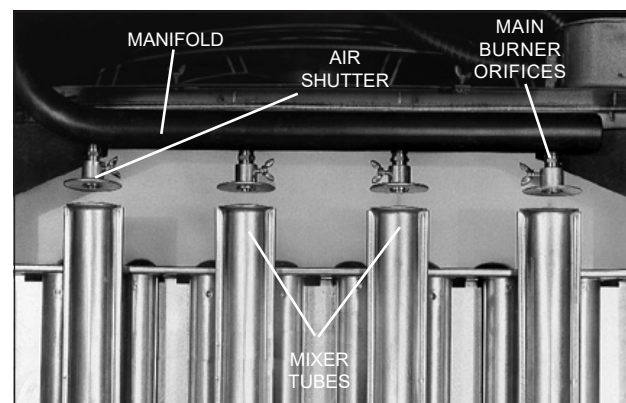


Figure 16.3 - Air Shutter Adjustment, Propane Gas



START-UP PROCEDURE

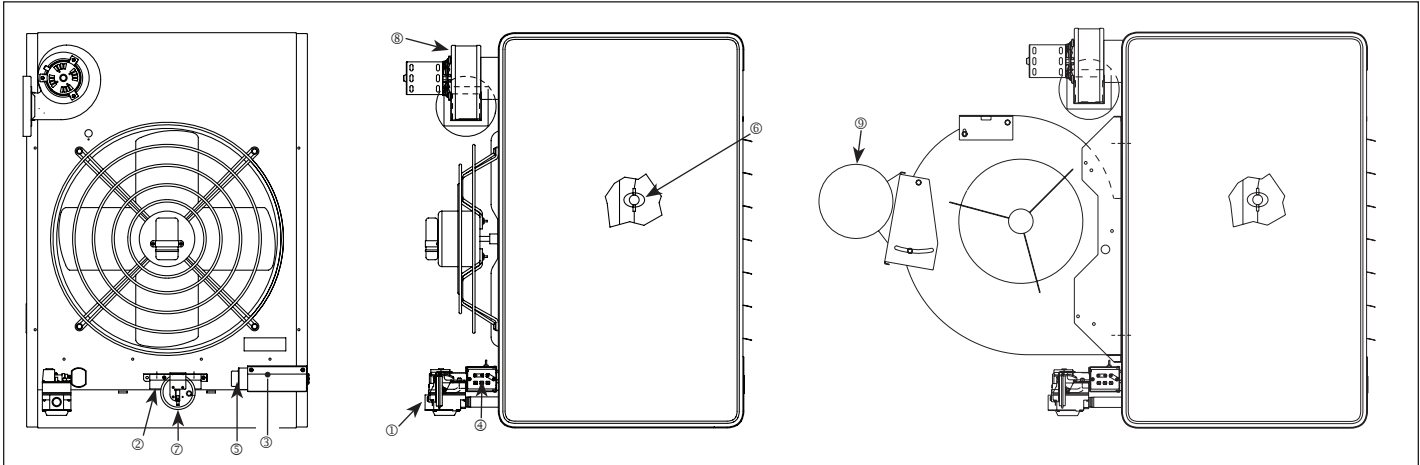
Control Operating Sequence

All units are supplied with intermittent pilot systems with continuous retry control as standard. For intermittent pilot systems, both the main burner and pilot are turned off 100% when the thermostat is satisfied. For all units, the system will attempt to light the pilot for 70 seconds. If the pilot is not sensed, the ignition control will wait approximately 6 minutes with the combination gas control closed and no spark. After 6 minutes, the cycle will begin again. After 3 cycles, some ignition controllers lockout for approximately 1 hour before the cycle begins again. This will continue indefinitely until the pilot flame is sensed or power is interrupted to the system. Refer to Table 18.1 for control code descriptions. Specific descriptions of the control sequence for different control codes are listed below.

1. The thermostat calls for heat.
2. The power exhauster relay is energized, starting the power exhauster motor. Once the motor has reached full speed, the differential pressure switch closes.
3. The pilot valve opens and the ignitor sparks for 70 seconds in an attempt to light the pilot.
4. Once the pilot is lit, the flame sensor proves the pilot and stops the ignitor from sparking.
5. On single stage units, the main gas valve is opened and the main burner is lit to 100% full fire. On two stage units, the gas valve may open at either 50% or 100%, depending on what the two stage thermostat is calling for.
6. The air mover starts after 30 to 90 seconds to allow the heat exchanger to warm up.
7. The unit continues to operate until the thermostat is satisfied, at which time both the main and pilot valves close 100%.
8. The air mover stops after 30 to 90 seconds to remove residual heat from the heat exchanger.

UNIT AND CONTROL OPTIONS

Figure 18.1 - Factory Mounted Option Location



All units include the standard (STD) features. The unit must be reviewed to determine the optional (OPT) features that may have been supplied with the unit.

① Gas Valve

a) Single Stage Gas Valve - (STD)

The main gas valve provides the pilot, regulator, main gas, and manual shutoff functions. For additional information, see the supplier literature included with the unit.

b) Two Stage Gas Valve - (OPT)

The two stage gas valve provides the pilot, regulator, main gas (100% and 50% fire), and manual shutoff functions. For additional information, see the supplier literature included with the unit.

② Ignition controller - (STD)

The ignition controller is factory installed on the back of the unit heater with the spark igniter and sensor located on the burner. For additional information, refer to “Control Operating Sequence” on page 16 and the supplier literature included with the unit.

③ Time Delay Relay - (STD)

The time delay relay is factory installed in electrical junction box and controls propeller/blower motor function. For single-phase units below 2 Hp, the time delay relay controls the motor directly. For single-phase units 2 Hp and greater and all three phase units, the time delay relay controls the motor starter. For additional information, refer to “Control Operating Sequence” on page 17.

④ Low Voltage Terminal Board - (STD)

The low voltage terminal board is located in the electrical junction box. The terminal board is labeled to match the electrical wiring diagram provided with the unit. All low voltage field wiring connections should be made to the exposed side of the terminal board (exterior of electrical junction box) to prevent miswiring by modifying the factory wiring, which is inside the electrical junction box.

⑤ Control Step Down Transformer - (STD)

The control step down transformer is located in the electrical junction box. The transformer is used to step down the supply power (115V, 208V, 230V, 460V, 575V) to 24V. This transformer is used to control the gas controls, fan delay relay, field supplied motor starter, etc. All unit heaters are supplied with a 40VA control step down transformer. To determine the control transformer supplied as well as any accessory/field supplied transformers required, reference the supply voltage listed on the serial plate and reference Tables 19.2 and 19.3.

⑥ High Limit Switch - (STD)

The automatic reset high limit switch is factory installed on the left side (air blowing at you) of the unit heater. If the limit temperature is exceeded, the gas controls are de-energized until the switch is cooled.

⑦ Pressure Switch (STD)

An automatic reset vent pressure switch is designed to prevent operation of the main burner if there is restricted venting of flue products. This restriction may occur due to an improper vent diameter, long vent runs, unapproved vent terminal, high winds, high negative pressure within space, etc. After the cause of the restriction has been corrected, the pressure switch will reset automatically. See the troubleshooting section for more information.

⑧ Power Exhauster (STD)

All power vented unit heaters are supplied with a round vent pipe connection. Some models may require the use of a vent transition from the power exhauster outlet to the vent pipe (see Table 6.1). The power exhauster may be rotated 180° to allow for various venting directions.

⑨ Blower Motor - (STD on BDP models only)

The blower motor can be provided in a variety of supply voltages and motor horsepowers. Refer to the model nomenclature to determine the motor provided. The blower motor is supplied with an adjustable sheave that can be used to increase/decrease the blower RPM. For instructions on changing the blower RPM, refer to “Blower Adjustments.”

Table 18.1 - Control Descriptions - Models PDP & BDP

Control System Description	Control Code		Service Voltage	Thermostat Voltage
	Natural Gas	Propane Gas		
Single-Stage ①	30	85	115V	25V
	31	86	208/230V	25V
	32	93	460V ②	25V
	33	94	575V ②	25V
Two-Stage ①	63	87	115V	25V
	64	88	208/230V	25V

① All controls are intermittent pilot ignition, 100% shut-off with continuous retry.

② Factory wired 460/575 available on blower models. Field installed step down transformer may be used for 460/575 propeller applications.

GENERAL PERFORMANCE DATA

Table 19.1 - Performance - Propeller (PDP) ① ② ③

	Model Number							
	PDP 150	PDP 175	PDP200	PDP 250	PDP 300	PDP 350	PDP 400	
Btu/Hr. Input ①	150,000	175,000	200,000	250,000	300,000	350,000	400,000	
Btu/Hr. Output ①	124,500	145,250	166,000	207,500	249,000	290,500	332,000	
Entering Airflow (CFM)	2180	2550	2870	3700	4460	4870	5440	
CFM Range	-	-	-	-	-	-	-	
Air Temp. Rise (F)	51	51	52	50	50	53	54	
Max. Mounting Hgt. (Ft.)②	16	17	15	19	21	20	19	
Heat Throw (Ft.)② @ Maximum Mgt. Height	55	59	51	67	74	70	69	
Motor Type ③	PSC	PSC	PSC	PSC	PSC	PSC	PSC	
HP	115/60/1 (PC01)	1/8	1/6	1/6	1/3	1/2	3/4	3/4
	230/60/1 (PC02)	1/8	1/6	1/6	1/3	1/2	3/4	3/4
	208/60/1 (PC03)	N/A	N/A	N/A	N/A	N/A	N/A	N/A

- ① Ratings shown are for elevations up to 2,000'. For elevations above 2,000', ratings should be reduced at the rate of 4% for each 1,000' above sea level (in Canada see rating plate.) Reduction of ratings requires use of a high altitude kit.
 ② Data taken at 55°F air temperature rise. At 65°F ambient and unit fired at full-rated input. Mounting height as measured from bottom of unit, and without deflector hoods. For units equipped with deflector hoods, see page 23.
 ③ All motors used are produced, rated and tested by reputable manufacturers in accordance with NEMA standards and carry the standard warranty of both the motor manufacturer and Modine. All motors are totally enclosed and all single phase motors have built-in thermal overload protection.

Blower (BDP) Models

Model Number	BDP150			BDP175			BDP200			BDP250			BDP300			BDP350			BDP400		
Btu/Hr. Input	150,000			175,000			200,000			250,000			300,000			350,000			400,000		
Btu/Hr. Output	123,000			143,500			164,000			205,000			246,000			287,000			328,000		
Entering Airflow (CFM)	Low	Mid	High	Low	Mid	High	Low	Mid	High	Low	Mid	High	Low	Mid	High	Low	Mid	High	Low	Mid	High
	CFM	CFM	CFM	CFM	CFM	CFM	CFM	CFM	CFM	CFM	CFM	CFM	CFM	CFM	CFM	CFM	CFM	CFM	CFM	CFM	CFM
Entering Airflow (CFM)	1587	2020	2778	1852	2357	3241	2116	2694	3704	2646	3367	4630	3175	4040	5556	3704	4714	6481	4233	5387	6584
Max Mounting Height. (Ft.)	10	14	23	10	15	24	9	12	22	12	17	27	13	18	30	13	19	30	13	19	25
Air Temp. Rise (F)	70	55	40	70	55	40	70	55	40	70	55	40	70	55	40	70	55	40	70	55	45
Heat Throw (Ft.) @ Max Mounting Height.	34	49	80	37	52	85	33	48	77	41	59	96	45	65	105	46	67	107	46	66	89
Heat Throw (Ft.) @ 7' Minimum Mounting Height.	45	71	120	49	76	128	43	68	115	57	87	145	64	97	160	66	99	164	66	99	136

* See pages 20 and 21 for motor information

GENERAL PERFORMANCE DATA

Table 21.1 - Power Code Description - Blower Model BDP ①

Power Code	Voltage	Phase	150		175		200		250		300		350		400	
			HP	Drive	HP	Drive	HP	Drive	HP	Drive	HP	Drive	HP	Drive	HP	Drive
01	115	1	1/4	191	-	-	1/4	212	-	-	-	-	-	-	-	-
02	230	1	1/4	191	-	-	1/4	212	-	-	-	-	-	-	-	-
07	575	3	1/4	197	-	-	1/4	213	-	-	-	-	-	-	-	-
08	208-230/460	3	1/4	191	-	-	1/4	212	-	-	-	-	-	-	-	-
09	115	1	1/3	191	1/3	95	1/3	212	1/3	203	3/4	205	1	107	1-1/2	105
10	230	1	1/3	191	1/3	95	1/3	212	1/3	203	3/4	205	1	107	1-1/2	105
15	575	3	1/3	197	1/3	96	1/3	213	1/3	204	3/4	205	1	255	1-1/2	180
16	208-230/460	3	1/3	191	1/3	95	1/3	212	1/3	203	3/4	205	1	255	1-1/2	180
17	115	1	1/3	95	1/2	96	1/3	102	1/2	204	1	205	1-1/2	105	-	-
18	230	1	1/3	95	1/2	96	1/3	102	1/2	204	1	205	1-1/2	105	-	-
23	575	3	1/3	96	1/2	96	1/3	101	1/2	204	1	157	1-1/2	180	2	210
24	208-230/460	3	1/3	95	1/2	96	1/3	102	1/2	204	1	157	1-1/2	180	2	210
25	115	1	1/2	96	3/4	192	1/2	101	3/4	205	1-1/2	106	1-1/2	100	-	-
26	230	1	1/2	96	3/4	192	1/2	101	3/4	205	1-1/2	106	1-1/2	100	-	-
31	575	3	1/2	96	3/4	192	1/2	101	3/4	205	1-1/2	108	1-1/2	210	3	111
32	208-230/460	3	1/2	96	3/4	192	1/2	101	3/4	205	1-1/2	108	1-1/2	33	3	111
33	115	1	3/4	38	1	192	3/4	16	1	205	-	-	-	-	-	-
34	230	1	3/4	38	1	192	3/4	16	1	205	-	-	-	-	-	-
39	575	3	3/4	38	1	256	3/4	16	1	157	2	108	2	210	5	207
40	208-230/460	3	3/4	38	1	256	3/4	16	1	157	2	108	2	210	5	207
41	115	1	1	38	1-1/2	193	1	16	1-1/2	105	-	-	-	-	-	-
42	230	1	1	38	1-1/2	193	1	16	1-1/2	105	-	-	-	-	-	-
47	575	3	1	254	1-1/2	198	1	178	1-1/2	180	3	111	3	111	2	180
48	208-230/460	3	1	254	1-1/2	198	1	178	1-1/2	180	3	111	3	111	2	180
49	115	1	1/4	13	-	-	1-1/2	105	-	-	1-1/2	105	-	-	-	-
50	230	1	1/4	13	-	-	1-1/2	105	-	-	1-1/2	105	-	-	-	-
55	575	3	1/4	14	2	80	1-1/2	180	2	108	1-1/2	110	5	207	3	112
56	208-230/460	3	1/4	13	2	80	1-1/2	180	2	108	1-1/2	180	5	207	3	112
57	115	1	3/4	96	3/4	96	1/4	24	3/4	204	-	-	-	-	-	-
58	230	1	3/4	96	3/4	96	1/4	24	3/4	204	-	-	-	-	-	-
63	575	3	3/4	96	3/4	96	1/4	25	3/4	204	-	-	2	180	5	111
64	208-230/460	3	3/4	96	3/4	96	1/4	24	3/4	204	-	-	2	180	5	111
65	115	1	-	-	1-1/2	79	1/3	24	1-1/2	23	-	-	-	-	-	-
66	230	1	-	-	1-1/2	79	1/3	24	1-1/2	23	-	-	-	-	-	-
71	575	3	-	-	1-1/2	80	1/3	25	1-1/2	177	-	-	5	181	-	-
72	208-230/460	3	-	-	1-1/2	80	1/3	24	1-1/2	177	-	-	5	181	-	-
73	115	1	-	-	-	-	1/2	25	-	-	-	-	-	-	-	-
74	230	1	-	-	-	-	1/2	25	-	-	-	-	-	-	-	-
79	575	3	-	-	-	-	1/2	25	-	-	-	-	-	-	-	-
80	208-230/460	3	-	-	-	-	1/2	25	-	-	-	-	-	-	-	-
81	115	1	-	-	-	-	3/4	101	-	-	-	-	-	-	-	-
82	230	1	-	-	-	-	3/4	101	-	-	-	-	-	-	-	-
87	575	3	-	-	-	-	3/4	101	-	-	-	-	-	-	-	-
88	208-230/460	3	-	-	-	-	3/4	101	-	-	-	-	-	-	-	-
89	115	1	-	-	-	-	1-1/2	23	-	-	-	-	-	-	-	-
90	230	1	-	-	-	-	1-1/2	23	-	-	-	-	-	-	-	-
95	575	3	-	-	-	-	1-1/2	177	-	-	-	-	-	-	-	-
96	208-230/460	3	-	-	-	-	1-1/2	177	-	-	-	-	-	-	-	-

① For selection of correct Power Code, refer to the tables on page 20.

PERFORMANCE DATA – NOZZLES

Figure 23.1 - Mounting Height, Heat Throw, Heat Spread (in feet)

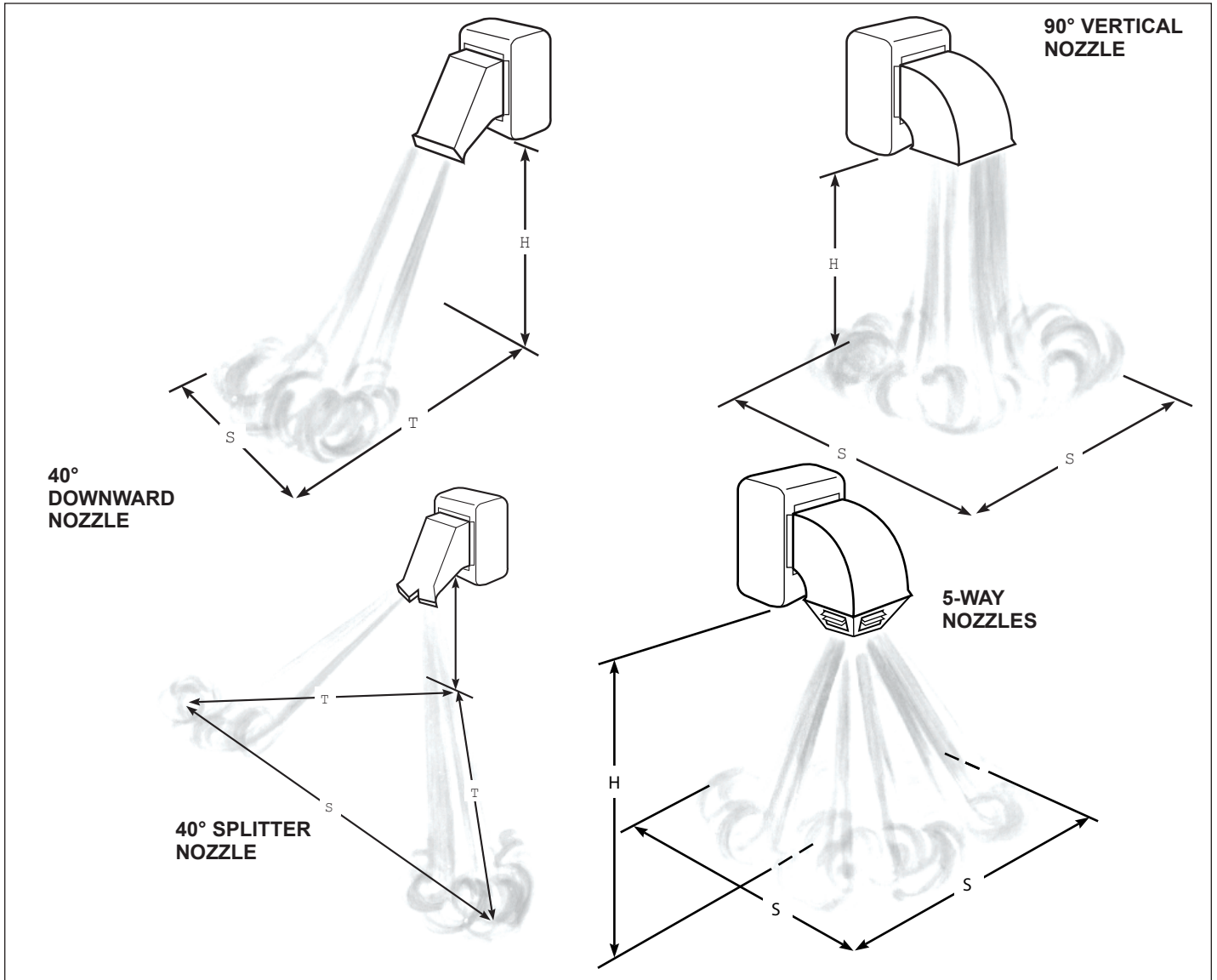


Table 23.1 - Mounting Height, Heat Throw, Heat Spread (in feet)

Nozzle Type		Model Number						
		BDP 150	BDP 175	BDP 200	BDP 250	BDP 300	BDP 350	BDP 400
40° Downward Nozzle	Max. Mounting Ht. (ft.) H	26	25	27	29	31	32	32
	Heat Throw (ft.) T	79	76	81	86	94	96	96
	Heat Spread (ft.) S	26	25	27	29	31	32	32
90° Vertical Nozzle	Max. Mounting Ht. (ft.) H	26	26	24	29	31	32	32
	Heat Spread (ft.) S	26	26	24	29	31	32	32
40° Splitter Nozzle	Max. Mounting Ht. (ft.) H	24	24	23	25	28	30	32
	Heat Throw (ft.) T	60	59	59	62	70	75	80
	Heat Spread (ft.) S	120	118	117	124	140	151	160
5-Way Nozzle	Max. Mounting Ht. (ft.) H	22	21	20	25	26	23	26
	Heat Spread (ft.) S	31	29	28	35	36	32	36

The above table is based on an inlet air temperature of 70°F and an air temperature rise of 55°F. Air deflectors on 40° and 90° discharge nozzles set perpendicular to the face of the air discharge opening. On 5-way nozzles all air deflectors set perpendicular to floor. Static pressure measured at 0.1" W.C. for 90° nozzle, 0.2" W.C. for 40° downward and 5-way nozzle, and 0.3" W.C. for 40° splitter nozzle. Outlet velocities are approximately 1,750 FPM for the 40° nozzles, 1,000 FPM for the 90° nozzle and 1,300 FPM for 5-way. For motor size, drive and blower rpm refer to page 20. Mounting height measured from bottom of unit.

DIMENSIONAL DATA

Figure 24.1 - Dimensional Drawings - Propeller Units (Model PDP)

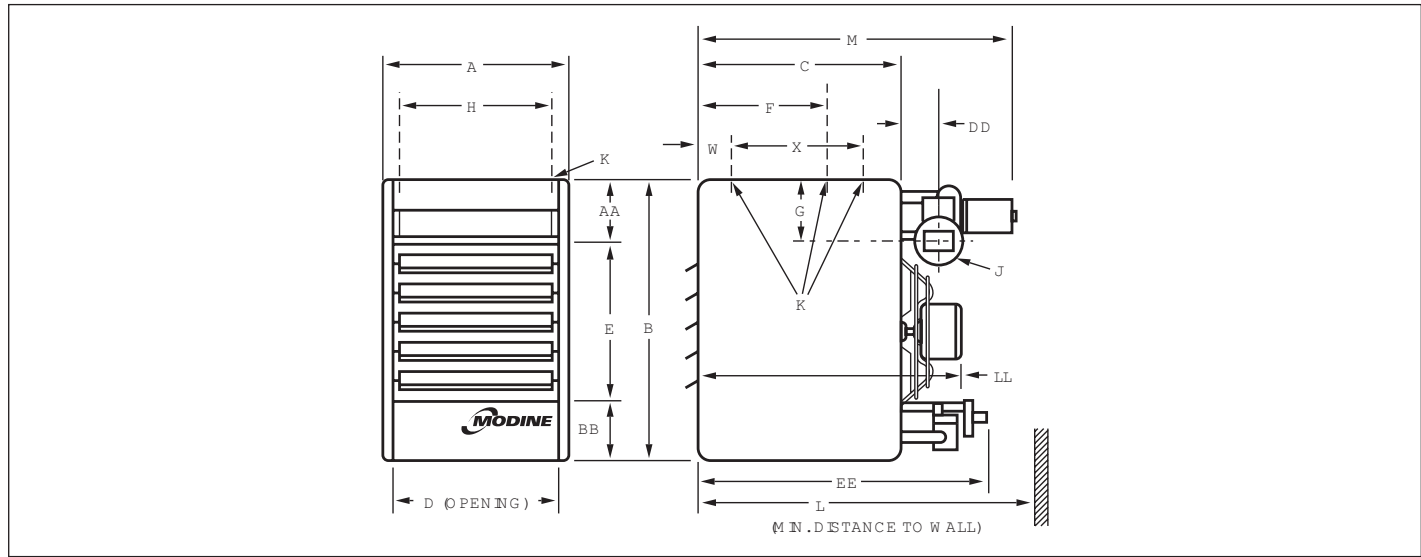


Table 24.1 - Dimensions (inches) - PDP ①

Dimension Symbol	Model Number						
	PDP 150	PDP 175	PDP 200	PDP 250	PDP 300	PDP 350	PDP 400
A	21	23-1/2	25-5/8	25-5/8	28-5/8	33-5/8	40
B	35-1/4	35-1/4	40-1/4	40-1/4	40-1/4	40-1/4	40-1/4
C	22	22	25	25	25	25	25
D	18-9/16	21-1/16	23-3/16	23-3/16	26-3/16	31-3/16	37-1/2
E	20	20	24	24	24	24	24
F	12	12	13-1/2	13-1/2	14	—	—
G	6-9/16	6-9/16	7-1/2	7-1/2	7-1/2	7-1/2	7-1/2
H	17-3/8	19-7/8	22	22	25	30	36-3/8
J	5 ②	5 ②	5 ②	6	6	6	6
K (Mounting Holes) ③	3/8-16	3/8-16	3/8-16	3/8-16	3/8-16	3/8-16	3/8-16
L ④	35-13/16	35-9/16	40-3/4	40-3/4	40-3/4	40-3/4	44-3/16
M	29-13/16	29-9/16	34-3/4	34-3/4	34-3/4	34-11/16	38-3/16
W	—	—	—	—	—	5	5
X	—	—	—	—	—	16	16
AA	8	8	9	9	9	9	9
BB	7-1/4	7-1/4	7-1/4	7-1/4	7-1/4	7-1/4	7-1/4
DD	2-3/4	2-3/4	3-3/8	3-3/8	3-3/8	3-3/8	6-13/16
EE	30-1/2	30-1/2	32-7/8	32-7/8	32-7/8	32-7/8	32-7/8
LL	31-1/8	31-1/8	34-7/8	34-7/8	36-1/4	35-1/2	40-1/2
Gas Connections ⑤	1/2	1/2	1/2	3/4	3/4	3/4	3/4
Fan Diameter	16	18	20	20	22	22	24
Approx. Weight	168	175	239	239	269	338	418

① Do not use propeller units with duct work.

② Vent connection is 5", connected to a factory supplied vent transition. For model sizes 150 and 175, the factory supplied transition is 4" (to the power exhauster outlet) to 5" (to the vent system). For model size 200, the factory supplied transition is 6" (to the power exhauster outlet) to 5" (to the vent system).

③ PDP 150 through PDP 300 - 2 holes (and the level hanging adjustment feature). PDP 350 through PDP 400 - 4 holes. (Listed is the hole diameter and threads per inch to accept threaded rod).

④ Dimension equals overall plus 6".

⑤ For natural gas; may vary depending on control availability.

DIMENSIONAL DATA

Figure 25.1 - Dimensional Drawings - Blower Units (Model BDP)

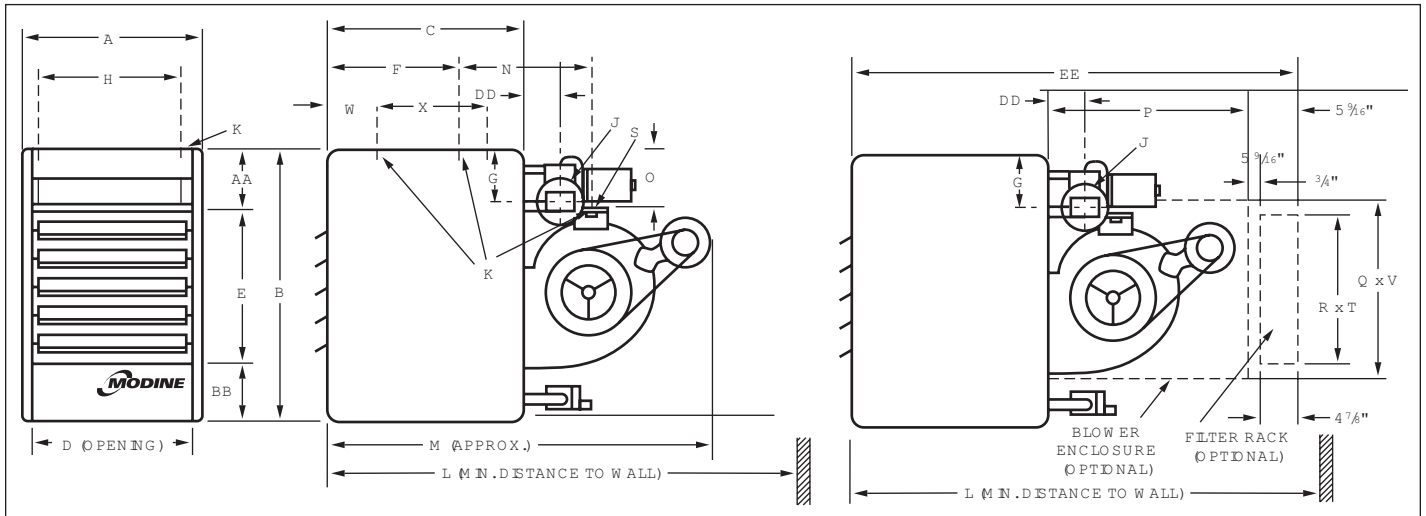


Table 25.1 - Dimensions (inches) - BDP

Dimension Symbol	Model Number						
	BDP 150	BDP 175	BDP 200	BDP 250	BDP 300	BDP 350	BDP 400
A	21	23-1/2	25-5/8	25-5/8	28-5/8	33-5/8	40
B	35-1/4	35-1/4	40-1/4	40-1/4	40-1/4	40-1/4	40-1/4
C	22	22	25	25	25	25	25
D	18-9/16	21-1/16	23-3/16	23-3/16	26-3/16	31-3/16	37-1/2
E	20	20	24	24	24	24	24
F	12	12	13-1/2	13-1/2	14	—	—
G	6-9/16	6-9/16	7-1/2	7-1/2	7-1/2	7-1/2	7-1/2
H	17-3/8	19-7/8	22	22	25	30	36-3/8
J	5 ①	5 ①	5 ①	6	6	6	6
K Mounting Holes ②	3/8-16	3/8-16	3/8-16	3/8-16	3/8-16	3/8-16	3/8-16
L w/ Blwr Encl & Filt Rk	62-5/8	62-5/8	69-5/8	69-5/8	69-5/8	69-5/8	69-5/8
L w/o Blwr Encl & Filt Rk	53-1/8	53-1/8	61	61	61	61	65
M ③	47-1/8	47-1/8	55	55	55	55	59
N ④	21-1/2	21-1/2	25-7/16	25-7/16	24-15/16	17-15/16	22
O	7-1/4	7-1/4	8-1/2	8-1/2	8-1/2	8-1/2	8-1/2
P	30	30	34	34	34	34	34
Q Blower Encl Ht	21-3/8	21-3/8	25-1/8	25-1/8	25-1/8	25-1/8	25-1/8
R Inlet Duct Height	20	20	23-3/4	23-3/4	23-3/4	23-3/4	23-3/4
S Center to Center Blower Mtg. Holes	17-5/16	17-3/8	20-3/8	20-3/8	20-3/8	20-3/8	20-3/8
T Inlet Duct Width	27-1/2	27-1/2	32-3/4	32-3/4	32-3/4	42-7/8	42-7/8
V Blower Encl Width	29	29	34-1/4	34-1/4	34-1/4	44-3/8	44-3/8
W	—	—	—	—	—	5	5
X	—	—	—	—	—	16	16
AA	8	8	9	9	9	9	9
BB	7-1/4	7-1/4	7-1/4	7-1/4	7-1/4	7-1/4	7-1/4
DD	2-3/4	2-3/4	2-3/4	3-3/8	3-3/8	3-3/8	6-13/16
EE	56-5/8	56-5/8	63-5/8	63-5/8	63-5/8	63-5/8	63-5/8
Gas Connections ⑤	1/2	1/2	1/2	3/4	3/4	3/4	3/4
Blower Wheel Diameter	13	13	15	15	15	15	15
Approx. Weight	152	152	315	315	339	428	498

① Vent connection is 5", connected to a factory supplied vent transition. For model sizes 150 and 175, the factory supplied transition is 4" (to the power exhaustor outlet) to 5" (to the vent system). For model size 200, the factory supplied transition is 6" (to the power exhaustor outlet) to 5" (to the vent system).

② BDP 150 thru BDP 300 — 4 holes (2 on blower and 2 on unit). BDP 350 and BDP 400 — 6 holes (2 on blower and 4 on unit). (Listed is the hole diameter and threads per inch to accept threaded rod).

③ This is an approximate dimension for standard motors, allow 3" for sheave and optional motors.

④ Distance between mounting hole in unit casing and mounting hole on blower. On the BDP 350 and BDP 400, the distance is from rear mounting hole in casing to the mounting hole on blower.

⑤ For natural gas; may vary depending on control availability.

MAINTENANCE

WARNING

When servicing or repairing this equipment, use only factory-approved service replacement parts. A complete replacement parts list may be obtained by contacting the factory. Refer to the rating plate on the appliance for complete appliance model number, serial number, and company address. Any substitution of parts or controls not approved by the factory will be at the owner's risk.

CAUTION

1. Service or repair of this equipment must be performed by a qualified service agency.
2. Do not attempt to reuse any mechanical or electrical controllers which have been wet. Replace defective controller.

NOTE: To check most of the possible remedies in the troubleshooting guide listed in Table 27.1, refer to the applicable sections of the manual.

General Maintenance

The unit and venting system must be checked once a year by a qualified service technician.

All installation and service of these units must be performed by a qualified installation and service agency.

Before any service, BE SURE TO TURN OFF GAS AT THE MANUAL SHUT-OFF VALVE AHEAD OF THE COMBINATION GAS CONTROL AND TURN OFF ALL ELECTRIC POWER TO THE HEATER.

General Unit

When providing annual maintenance for the unit heater, keep the unit free from dust, dirt, grease and foreign matter. Pay particular attention to:

1. The combustion air and exhaust vent piping.
2. The burner ports and pilot burner orifices (avoid the use of hard, sharp instruments capable of damaging surfaces for cleaning these ports). To check the burner port and pilot burner orifice, see "Burner and Pilot Assembly Removal".
3. The air shutters and main burner orifices (avoid the use of hard, sharp instruments capable of damaging surfaces for cleaning these orifices). To check the air shutters and main burner orifices, see for "Manifold Assembly Removal."
4. The heat exchanger. Clean tubes from the bottom with a stiff non-wire brush.
5. The heat exchanger should be checked annually for cracks and discoloration of the tubes. If a crack is detected, the heat exchanger should be replaced before the unit is put back into service. If the tubes are dark gray, airflow across the heat exchanger should be checked to insure that a blockage has not occurred or the blower is operating properly.

Electrical Wiring

The electrical wiring should be checked annually for loose connections or deteriorated insulation.

Gas Piping & Controls

The gas valves and piping should be checked annually for general cleanliness and tightness.

The gas controls should be checked to ensure that the unit is operating properly.

Propeller Assembly

Check the motor for lubrication if the motor is not permanently lubricated. Inspect the fan for damage and fit on motor shaft. Clean any dust, dirt or foreign matter from the fan blades.

Blower Assembly

The blower assembly includes the bearings, drive sheaves and belts. Blower bearings should be checked and lubricated based on the blower manufacturer's recommendations. Bearings should also be checked for any unusual wear and replaced if needed.

Drive sheaves should be checked at the same time the bearings are inspected. Check to make sure the sheaves are in alignment and are securely fastened to the blower and motor shafts.

Belt tension should be rechecked shortly after the unit has been installed to check for belt stretching. After the initial start-up, monthly checks are recommended.

Manifold Assembly Removal

To remove the manifold:

1. Shut off gas and electric supply.
2. Lower bottom pan to expose burner and manifold (see Figure 16.2).
3. Disconnect pilot tubing and thermocouple lead (or ignition cable) at the combination gas control (and ignition control).
4. Disconnect control wires for the combination gas control.
5. Disconnect gas manifold at ground union joint.
6. Remove the 2 screws holding the manifold to the heat exchanger support.
7. Clean the orifices and adjust the air shutters as necessary.
8. Follow steps 2-6 in reverse order to install the manifold assembly.
9. Turn on the electric and gas supply.
10. Check the ground union joint for leaks with a soap solution. Tighten if necessary.

Burner and Pilot Assembly Removal

To remove the burner:

1. Shut off gas and electric supply.
2. Lower bottom pan to expose burner and manifold (see Figure 16.2).
3. Disconnect pilot tubing and thermocouple lead (or ignition cable) at the combination gas control (and ignition control).
4. Remove the 2 burner retaining pins holding the burner in place. The burner can then be easily lowered from the unit.
5. Examine the burner and pilot assembly for cleanliness and/or obstructions as necessary (see "General Unit" for cleaning instructions).
6. Replace the burner assembly in reverse order. In replacing the burner, be certain that the slots at the front of the burner are located properly on their shoulder rivets and that the burner retaining pins are put back into their proper locations.
7. Reconnect the ignition cable and pilot gas supply line.
8. Turn on the electric and gas supply.

SERVICE & TROUBLESHOOTING

Table 27.1 - Troubleshooting

Trouble	Possible Cause	Possible Remedy
Pilot does not light	<ol style="list-style-type: none"> 1. Main gas is off. 2. Power supply is off. 3. Air in gas line. 4. Dirt in pilot orifice. 5. Gas pressure out of proper range. 6. Pilot valve does not open. <ol style="list-style-type: none"> a. Defective ignition controller. b. Blown fuse on control board c. Defective gas valve. 7. No spark at ignitor. <ol style="list-style-type: none"> a. Loose wire connections. b. Pilot sensor is grounded. c. Blown fuse on control board d. Defective ignition controller. 8. Safety device has cut power. 9. Pilot valve is off. 10. Dirty thermocouple contact. 11. Excessive drafts. 12. Pilot orifice Fitting leak. 	<ol style="list-style-type: none"> 1. Open manual gas valve. 2. Turn on main power. 3. Purge gas line. 4. Check for plugged pilot orifice and clean with compressed air if necessary. 5. Adjust to a maximum of 14" W.C. Minimum for natural gas - 6" W.C. Minimum for propane gas - 11" W.C. 6. Check wiring for 24 volts to valve. <ol style="list-style-type: none"> a. Replace ignition controller. b. Replace Fuse c. Replace gas valve. 7. <ol style="list-style-type: none"> a. Check all ignition controller wiring. b. Replace sensor if cracked or worn c. Replace fuse d. Replace ignition controller. 8. Check all safety devices (High limit, pressure switch, blocked vent safety switch, etc.) Determine and correct problem. Reset if necessary. 9. Turn gas control knob or lever on combination gas control to pilot position. 10. Be sure thermocouple contact is clean. If problem persists replace thermocouple. 11. Find source and re-direct airflow away from unit. 12. Tighten pilot orifice. Flame impingement on thermocouple may cause thermocouple to become inoperative.
Main burners do not light (Pilot is lit)	<ol style="list-style-type: none"> 1. Defective valve. 2. Loose wiring. 3. Defective pilot sensor 4. Defective ignition controller. 5. Improper thermostat wiring. 	<ol style="list-style-type: none"> 1. Replace valve. 2. Check wiring to gas valve. 3. Replace pilot sensor. 4. Replace ignition controller. 5. Verify wiring compared to wiring diagram.
Lifting Flames (See Figure 28.2)	<ol style="list-style-type: none"> 1. Too much primary air. 2. Main pressure set too high. 3. Orifice too large. 	<ol style="list-style-type: none"> 1. Reduce primary air. 2. Adjust to a maximum of 14" W.C. 3. Check orifice size with those listed on the serial plate.
Yellow Tipping (With propane gas, some yellow tipping is always present.)	<ol style="list-style-type: none"> 1. Insufficient primary air. 2. Dirty orifice. 3. Misaligned orifice. 	<ol style="list-style-type: none"> 1. Increase primary air. 2. Check orifices and clean with compressed air if necessary. 3. Check manifold, replace if necessary.
Wavering Flames (See Figure 28.1)	<ol style="list-style-type: none"> 1. Drafts across burner 2. Misalignment of burner 3. Cracked heat exchanger 	<ol style="list-style-type: none"> 1. Eliminate drafts 2. Align burner on locator pins 3. Replace heat exchanger
Flashback	<ol style="list-style-type: none"> 1. Too much primary air 2. Main pressure set too high. 3. Orifice too large. 	<ol style="list-style-type: none"> 1. Reduce primary air. 2. Adjust to maximum of 14" W.C. 3. Check orifice size with those listed on the serial plate.
Floating Flames (see Figure 28.3)	<ol style="list-style-type: none"> 1. Insufficient primary air. 2. Main pressure set too high. 3. Orifice too large. 4. Blocked vent. 	<ol style="list-style-type: none"> 1. Increase primary air. 2. Adjust to a maximum of 14" W.C. 3. Check orifice size with those listed on the serial plate. 4. Clean/correct venting system.
Flame Rollout (see Figure 28.4)	<ol style="list-style-type: none"> 1. Main pressure set too high. 2. Orifice too large. 3. Blocked vent. 	<ol style="list-style-type: none"> 1. Adjust to a maximum of 14" W.C. 2. Check orifice size with those listed on the serial plate. 3. Clean/correct venting system.

SERVICE & TROUBLESHOOTING

Trouble	Possible Cause	Possible Remedy
Not Enough Heat	<ol style="list-style-type: none"> Unit cycling on high limit. ① <ol style="list-style-type: none"> Obstructions/leaks in duct system. Main pressure set too high. Blower motor not energized. Loose belt Blower speed too low. Blocked/damaged venting system. Air distribution baffle removed (high temperature rise units only). Defective high limit switch. <ol style="list-style-type: none"> Main pressure set too low. <ol style="list-style-type: none"> Too much outside air. <ol style="list-style-type: none"> Thermostat malfunction. Gas controls wired incorrectly. <ol style="list-style-type: none"> Unit undersized. 	<ol style="list-style-type: none"> <ol style="list-style-type: none"> Clean/correct duct system. Adjust to a maximum of 14" W.C. Check/correct to insure blower motor operates within 45 seconds of when gas controls are energized. Adjust belt tension. Check/correct blower drive settings for proper rpm. Check/correct venting system. Replace air distribution baffle. Replace high limit switch. Adjust main gas pressure. Minimum for natural gas — 6" W.C. Minimum for propane gas — 11" W.C. Adjust outside air damper to decrease outside air percentage (if possible). Check/replace thermostat. Check unit wiring against the wiring diagram. Check design conditions. If unit is undersized, an additional unit(s) or other heat source must be added.
Too Much Heat	<ol style="list-style-type: none"> Thermostat malfunction. Gas controls do not shut-off. <ol style="list-style-type: none"> Gas controls wired incorrectly. Short circuit. Main gas pressure set too high. Defective gas valve. 	<ol style="list-style-type: none"> Check/replace thermostat. <ol style="list-style-type: none"> Check unit wiring against the wiring diagram. Check for loose or worn wires. Adjust to a maximum of 14" W.C. Replace gas valve.

① Automatic Reset High Limit

The unit heater comes standard with an automatic reset high limit switch that will shut off the gas should the discharge air temperature become excessive. See Figure 18.1, indicator ⑦ for the location of either the standard automatic high limit switch. The switch should operate only when something is seriously wrong with the unit operation. Anytime the switch operates, correct the difficulty immediately or serious damage may result. If the switch cuts off the gas supply during normal operation, refer to the "Not Enough Heat" section of Service & Troubleshooting.

Figure 28.1 - Wavering Flame or Misalignment

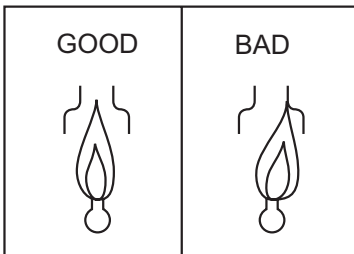


Figure 28.2 - Lifting Flame Condition

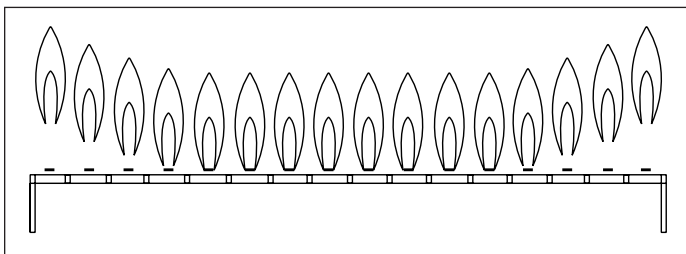


Figure 28.3 - Floating Flame Condition

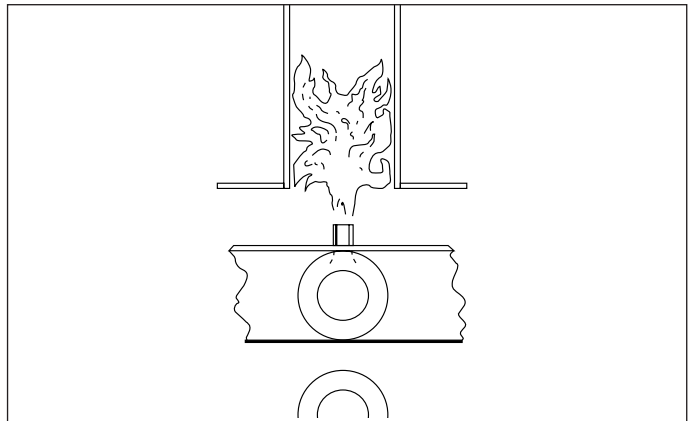
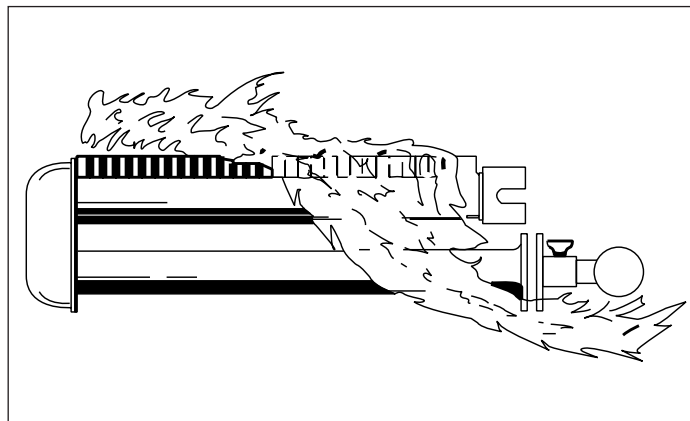


Figure 28.4 - Flame Rollout Appearance



MODEL NUMBER / RATING PLATE IDENTIFICATION

Figure 29.1 - Serial Number Designations

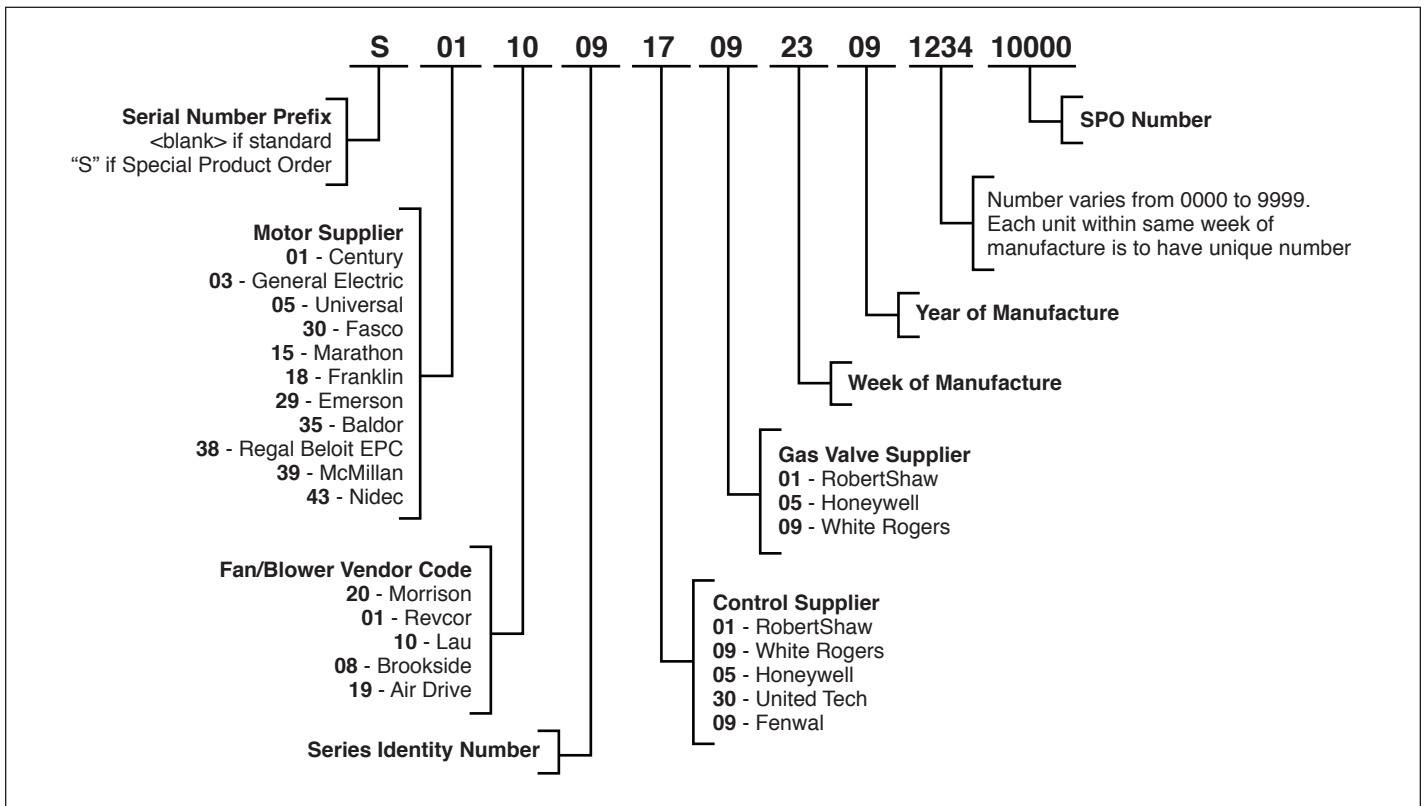
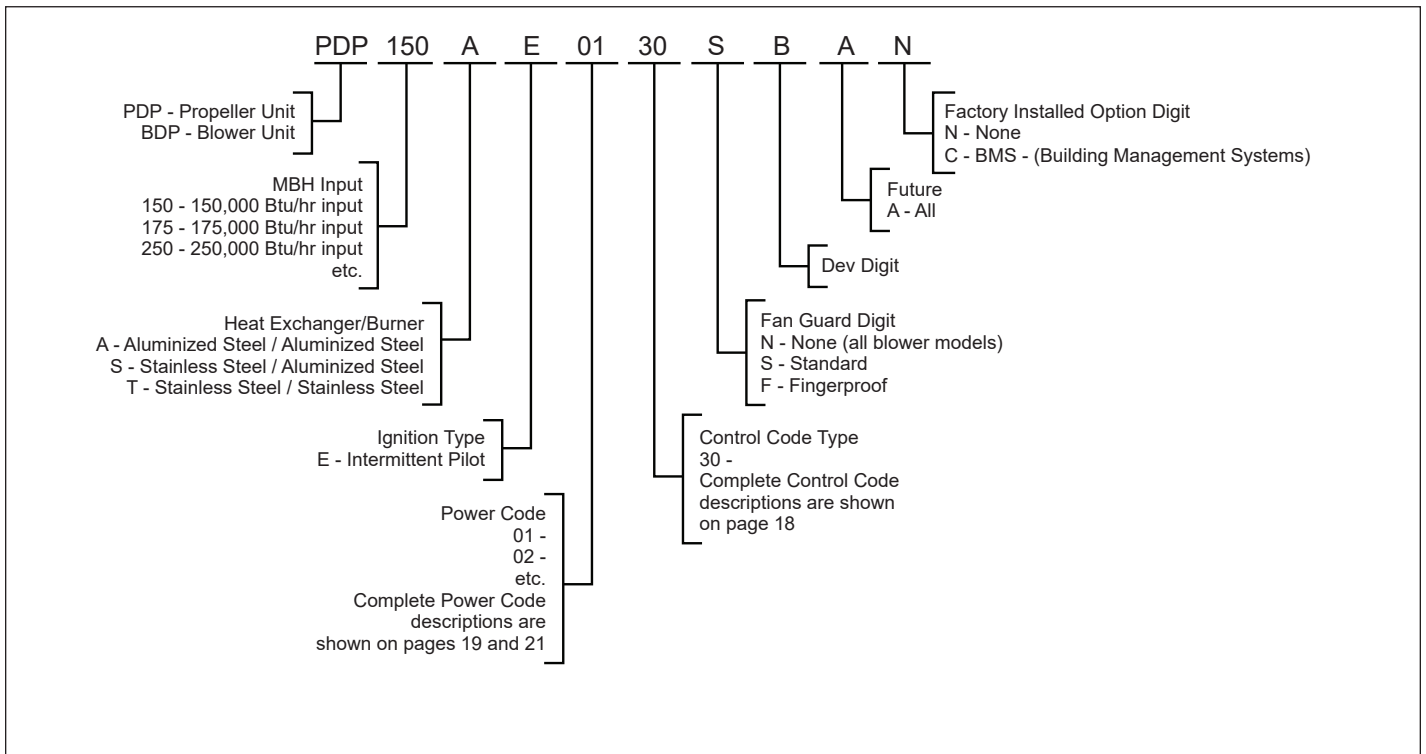


Figure 29.2 - Model Number Designations



THIS PAGE INTENTIONALLY LEFT BLANK

THIS PAGE INTENTIONALLY LEFT BLANK

COMMERCIAL WARRANTY

Seller warrants its products to be free from defects in material and workmanship, EXCLUSIVE, HOWEVER, of failures attributable to the use of materials substituted under emergency conditions for materials normally employed. This warranty covers replacement of any parts furnished from the factory of Seller, but does not cover labor of any kind and materials not furnished by Seller, or any charges for any such labor or materials, whether such labor, materials or charges thereon are due to replacement of parts, adjustments, repairs, or any other work done. This warranty does not apply to any equipment which shall have been repaired or altered outside the factory of Seller in any way so as, in the judgment of Seller, to affect its stability, nor which has been subjected to misuse, negligence, or operating conditions in excess of those for which such equipment was designed. This warranty does not cover the effects of physical or chemical properties of water or steam or other liquids or gases used in the equipment.

BUYER AGREES THAT SELLER'S WARRANTY OF ITS PRODUCTS TO BE FREE FROM DEFECT IN MATERIAL AND WORKMANSHIP, AS LIMITED HEREIN, SHALL BE IN LIEU OF AND EXCLUSIVE OF ALL OTHER WARRANTIES, EITHER EXPRESS OR IMPLIED, WHETHER ARISING FROM LAW, COURSE OF DEALING, USAGE OF TRADE, OR OTHERWISE, THERE ARE NO OTHER WARRANTIES, INCLUDING WARRANTY OF MERCHANTABILITY OR FITNESS FOR PURPOSE, WHICH EXTEND BEYOND THE PRODUCT DESCRIPTION CONFIRMED BY BUYER AND SELLER AS OF THE DATE OF FINAL AGREEMENT.

This warranty is void if the input to the product exceeds the rated input as indicated on the product serial plate by more than 5% on gas-fired and oil-fired units, or if the product in the judgment of SELLER has been installed in a corrosive atmosphere, or subjected to corrosive fluids or gases, been subjected to misuse, negligence, accident, excessive thermal shock, excessive humidity, physical damage, impact, abrasion, unauthorized alterations, or operation contrary to SELLER'S printed instructions, or if the serial number has been altered, defaced or removed.

BUYER AGREES THAT IN NO EVENT WILL SELLER BE LIABLE FOR COSTS OF PROCESSING, LOST PROFITS, INJURY TO GOODWILL, OR ANY OTHER CONSEQUENTIAL OR INCIDENTAL DAMAGES OF ANY KIND RESULTING FROM THE ORDER OR USE OF ITS PRODUCT, WHETHER ARISING FROM BREACH OF WARRANTY, NONCONFORMITY TO ORDERED SPECIFICATIONS, DELAY IN DELIVERY, OR ANY LOSS SUSTAINED BY THE BUYER.

BUYER'S REMEDY FOR BREACH OF WARRANTY, EXCLUSIVE OF ALL OTHER REMEDIES PROVIDED BY LAW, IS LIMITED TO REPAIR OR REPLACEMENT AT THE FACTORY OF SELLER, ANY COMPONENT WHICH SHALL, WITHIN THE APPLICABLE WARRANTY PERIOD DEFINED HEREIN AND UPON PRIOR WRITTEN APPROVAL, BE RETURNED TO SELLER WITH TRANSPORTATION CHARGES PREPAID AND WHICH THE EXAMINATION OF SELLER SHALL DISCLOSE TO HAVE BEEN DEFECTIVE; EXCEPT THAT WHEN THE PRODUCT IS TO BE USED BY BUYER AS A COMPONENT PART OF EQUIPMENT MANUFACTURED BY BUYER, BUYER'S REMEDY FOR BREACH, AS LIMITED HEREIN, SHALL BE LIMITED TO ONE YEAR FROM DATE OF SHIPMENT FROM SELLER. FOR GAS-FIRED PRODUCTS INSTALLED IN HIGH HUMIDITY APPLICATIONS AND UTILIZING STAINLESS STEEL HEAT EXCHANGERS, BUYER'S REMEDY FOR BREACH, AS LIMITED HEREIN, SHALL BE LIMITED TO TEN YEARS FROM DATE OF SHIPMENT FROM SELLER.

These warranties are issued only to the original owner-user and cannot be transferred or assigned. No provision is made in these warranties for any labor allowance or field labor participation. Seller will not honor any expenses incurred in its behalf with regard to repairs to any of Seller's products. No credit shall be issued for any defective part returned without proper written authorization (including, but not limited to, model number, serial number, date of failure, etc.) and freight prepaid.

OPTIONAL SUPPLEMENTAL WARRANTY

Provided a supplemental warranty has been purchased, Seller extends the warranty herein for an additional four (4) years on certain compressors. Provided a supplemental warranty has been purchased, Seller extends the warranty herein for an additional four (4) years or nine (9) years on certain heat exchangers.

EXCLUSION OF CONSUMABLES & CONDITIONS BEYOND SELLER'S CONTROL

This warranty shall not be applicable to any of the following items: refrigerant gas, belts, filters, fuses and other items consumed or worn out by normal wear and tear or conditions beyond Seller's control, including (without limitation as to generality) polluted or contaminated or foreign matter contained in the air or water utilized for heat exchanger (condenser) cooling or if the failure of the part is caused by improper air or water supply, or improper or incorrect sizing of power supply.

Component Applicable Models	"APPLICABLE WARRANTY PERIOD"
<u>Heat Exchangers</u> Gas-Fired Units	TEN YEARS FROM DATE OF FIRST BENEFICIAL USE BY BUYER OR ANY OTHER USER, WITHIN TEN YEARS FROM DATE OF RESALE BY BUYER OR ANY OTHER USER, WITHIN TEN YEARS FROM DATE OF RESALE BY BUYER IN ANY UNCHANGED CONDITION, OR WITHIN ONE HUNDRED TWENTY-SIX MONTHS FROM DATE OF SHIPMENT FROM SELLER, WHICHEVER OCCURS FIRST
<u>Heat Exchangers</u> Low Intensity Infrared Units <u>Compressors</u> Condensing Units for Cassettes	FIVE YEARS FROM DATE OF FIRST BENEFICIAL USE BY BUYER OR ANY OTHER USER, WITHIN FIVE YEARS FROM DATE OF RESALE BY BUYER OR ANY OTHER USER, WITHIN FIVE YEARS FROM DATE OF RESALE BY BUYER IN ANY UNCHANGED CONDITION, OR WITHIN SIXTY-SIX MONTHS FROM DATE OF SHIPMENT FROM SELLER, WHICHEVER OCCURS FIRST
<u>Burners</u> Low Intensity Infrared Units <u>Other</u> Components excluding Heat Exchangers, Coils, Condensers, Burners, Sheet Metal	TWO YEARS FROM DATE OF FIRST BENEFICIAL USE BY BUYER OR ANY OTHER USER, WITHIN TWO YEARS FROM DATE OF RESALE BY BUYER IN ANY UNCHANGED CONDITION, OR WITHIN THIRTY MONTHS FROM DATE OF SHIPMENT FROM SELLER, WHICHEVER OCCURS FIRST
<u>Heat Exchangers/Coils</u> Indoor and Outdoor Duct Furnaces and System Units, Steam/Hot Water Units, Oil-Fired Units, Electric Units, Cassettes, Vertical Unit Ventilators, Geothermal Units <u>Compressors</u> Vertical Unit Ventilators, Geothermal Units <u>Burners</u> High Intensity Infrared Units <u>Sheet Metal Parts</u> All Products	ONE YEAR FROM DATE OF FIRST BENEFICIAL USE BY BUYER OR ANY OTHER USER, WITHIN ONE YEAR FROM DATE OF RESALE BY BUYER IN ANY UNCHANGED CONDITION, OR WITHIN EIGHTEEN MONTHS FROM DATE OF SHIPMENT FROM SELLER, WHICHEVER OCCURS FIRST

As Modine Manufacturing Company has a continuous product improvement program, it reserves the right to change design and specifications without notice.



Modine Manufacturing Company
 1500 DeKoven Avenue
 Racine, WI 53403
 Phone: 1.800.828.4328 (HEAT)
 www.modinehvac.com



Comme la Modine Manufacturing Company a un programme d'amélioration permanente de ses produits, elle se réserve le droit de modifier la conception et les caractéristiques techniques sans préavis.

Composant		Modèles applicables	
Échangeurs de chaleur Appareils de chauffage au gaz	DIX ANS À PARTIR DE LA DATE DE PREMIER USAGE BÉNÉFICIAIRE PAR L'ACHETEUR OU TOUT AUTRE UTILISATEUR, DIX ANS À PARTIR DE LA DATE DE REVENTE PAR L'ACHETEUR OU TOUT AUTRE UTILISATEUR, DIX ANS À PARTIR DE LA DATE D'EXPÉDITION DE L'USINE DU VENDEUR, SELON LA PREMIÈRE DE CES ÉCHÉANCES.		
Échangeurs de chaleur Modèles infrarouges de faible intensité	CINQ ANS À PARTIR DE LA DATE DE PREMIER USAGE BÉNÉFICIAIRE PAR L'ACHETEUR OU TOUT AUTRE UTILISATEUR, CINQ ANS À PARTIR DE LA DATE DE REVENTE PAR L'ACHETEUR OU TOUT AUTRE UTILISATEUR, CINQ ANS À PARTIR DE LA DATE D'EXPÉDITION DE L'USINE DU VENDEUR, SELON LA PREMIÈRE DE CES ÉCHÉANCES.	Compresseurs Condenseurs pour cassettes	Brûleurs Modèles infrarouges de faible intensité
Échangeurs thermiques/serpents Systèmes et chaudières canalisés d'intérieur et d'extérieur, modèles à vapeur/eau chaude, modèles au mazout, appareils géothermiques	UN AN À PARTIR DE LA DATE DE PREMIER USAGE BÉNÉFICIAIRE PAR L'ACHETEUR OU TOUT AUTRE UTILISATEUR, UN AN À PARTIR DE LA DATE DE REVENTE PAR L'ACHETEUR À L'ÉTAT INCHANGÉ OU DIX-NEUF MOIS À PARTIR DE LA DATE D'EXPÉDITION DE L'USINE DU VENDEUR, SELON LA PREMIÈRE DE CES ÉCHÉANCES.	Autres Composants sauf les échangeurs thermiques, serpents, condensateurs, brûleurs, tôle	Brûleurs Modèles infrarouges de faible intensité
Pièces en tôle Tous les produits			

« PÉRIODE DE GARANTIE APPLICABLE »

GARANTIE COMMERCIALE

Le vendeur garantit ses produits contre tout défaut de matériel ou de fabrication, SAUF si la défaillance est imputable à un remplacement de matériel en cas d'urgence causé par l'indisponibilité du matériel normalement utilisé. Cette garantie couvre le remplacement de toute pièce fournie par l'usine du vendeur, mais ne couvre pas la main-d'œuvre et les matériaux, y compris cette main-d'œuvre, ces matériaux ou ces frais soient-ils au remplacement de pièces, réglages, réparations ou tout autre travail effectué. Cette garantie ne s'applique à aucun équipement qui a été réparé ou altéré en dehors de l'usine du vendeur de telle manière à compromettre sa stabilité, selon le vendeur, ou a été soumis à une utilisation abusive, une négligence ou des conditions d'utilisation non conformes à celles pour lesquelles ce matériel a été conçu. Cette garantie ne couvre pas les effets ou gaz utilisés dans l'équipement. L'ACHETEUR RECONNAÎT QUE LA GARANTIE DU VENDEUR À PROPRÉTÉS PHYSIQUES OU CHIMIQUES DE LA VAPEUR, DE L'EAU OU D'AUTRES LIQUIDES OU GAZ UTILISÉS L'ÉGARD DES DÉFAUTS DE FABRICATION OU DE MATIÈRES, AVEC LES LIMITATIONS ÉNONCÉES ICI, TIENENT ICI ET EXCLUT TOUTE AUTRE FORME DE GARANTIE, TANT EXPRESSE QU'IMPLICITE, QUELLE DÉCOULE DE LA LOI, DE RAPPORTS D'AFFAIRES, DES PRATIQUES COMMERCIALES USUELLES OU AUTRES, ET QU'IL NE BÉNÉFICIE PAS D'AUTRES GARANTIES, NOTAMMENT DE QUALITÉ MARCHANDE OU D'APTITUDE À UN USAGE PARTICULIER, AU-DELÀ DE LA DESCRIPTION DU PRODUIT CONFIRMÉE PAR L'ACHETEUR ET LE VENDEUR À LA DATE DE L'ACCORD FINAL.

Cette garantie est nulle et non avenue si l'alimentation du produit dépasse l'alimentation nominale indiquée sur la plaque de série du produit de plus de 5 % pour les modèles au gaz et au mazout, ou si, selon le VENDEUR, le produit a été installé dans une atmosphère corrosive ou a été soumis à des fluides ou gaz corrosifs, soumis à des conditions telles que utilisation abusive, négligence, accident, choc thermique excessif, humidité excessive, dégâts physiques, impact, abrasion, altérations non autorisées ou utilisation contraire aux instructions imprimées du VENDEUR, ou si le numéro de série a été altéré, rendu invisible ou retiré. L'ACHETEUR CONVIENT QU'EN AUCUN CAS LE VENDEUR NE SERA RESPONSABLE DES CÔÛTS DE TRAITEMENT, DES PERTES DE REVENUS, DES PÉRIS D'ACHAT/ANAGAGE, OU AUTRES DOMMAGES INDIRECTS OU CONSÉCUTIFS, DÉCOULANT DE LA COMMANDE OU DE L'UTILISATION DE SES PRODUITS, QU'ILS SOIENT LE RÉSULTAT DU NON-RESPECT DES CLAUSES DE GARANTIE, D'UNE NON-CONFORMITÉ AUX SPÉCIFICATIONS DE COMMANDE, DE RETARDS DE LIVRAISON OU DE TOUTE AUTRE PÉRIE SUBIE PAR L'ACHETEUR.

LE RECOURS DE L'ACHETEUR EN CAS DE DÉFAILLANCE SOUS GARANTIE, À L'ÉCLUSION DE TOUTS LES REMÈDES PRÉVUS PAR LA LOI, EST LIMITÉ À LA RÉPARATION OU AU REMPLACEMENT DANS UN ÉTABLISSEMENT DU VENDEUR DE TOUT COMPOSANT QUI, AU COURS DE LA PÉRIODE DE GARANTIE APPLICABLE DÉFINIE EN CECI ET AVEC AUTORISATION ÉCRITE PRÉALABLE, SERA RETOURNÉ EN PORT PAYÉ AU VENDEUR, DANS LA MESURE OU L'INSPECTION FAITE PAR LE VENDEUR PERMET DE CONCLURE QUE LEDIT PRODUIT EST DÉFECTUEUX, SAUF SI LE PRODUIT EST DESTINÉ À ÊTRE INCORPORÉ PAR L'ACHETEUR DANS UN COMPOSANT DE L'ÉQUIPEMENT FABRIQUÉ PAR LUI, AUQUEL CAS, LA DURÉE DE L'OBLIGATION DU VENDEUR, AVEC LES LIMITATIONS ÉNONCÉES CI-DESSUS, SERA LIMITÉE À UN AN À PARTIR DE LA DATE D'EXPÉDITION DE LA DATE D'ACHAT, POUR L'ACHETEUR EN CAS DE VIOLATION DE GARANTIE, TEL QUE LIMITÉ EN CECI, SERA LIMITÉ À DIX ANS À PARTIR DE LA DATE D'EXPÉDITION DE L'USINE DU VENDEUR. Ces garanties sont données uniquement au propriétaire-utilisateur initial et ne sont pas cessibles ou assignables. Aucune disposition n'est prévue dans ces garanties pour la main-d'œuvre ou la participation de main-d'œuvre sur site. Le Vendeur ne remboursera pas les frais encourus en son nom pour des réparations effectuées sur l'un de ses produits, quel qu'il soit. Aucun crédit ne sera fait pour toute pièce défectueuse retournée sans autorisation écrite (y compris, mais sans s'y limiter, numéro de modèle, numéro de série, date de la panne, etc.) et sans port payé.

GARANTIE SUPPLÉMENTAIRE EN OPTION
Sous réserve de l'achat d'une garantie supplémentaire, le vendeur prolonge la garantie fournie en ceci de quatre (4) années supplémentaires pour certains compresseurs. Sous réserve de l'achat d'une garantie supplémentaire, le vendeur étend la garantie en ceci à quatre (4) ou neuf (9) années supplémentaires sur certains échangeurs thermiques. EXCLUSION DE CONSOMMABLES ET CONDITIONS AU-DELÀ DU CONTRÔLE DU VENDEUR
Cette garantie ne s'applique pas aux articles suivants : gaz frigorigènes, courroies, filtres, fusibles et autres articles consommés ou normalement usés ou conditions au-delà du contrôle du Vendeur, y compris (sans limitation quant à sa généralité) corps étranger, pertes d'achat/anage, ou autres dommages indirects ou consécutifs, DÉCOULANT DE LA COMMANDE OU DE L'UTILISATION DE SES PRODUITS, QU'ILS SOIENT LE RÉSULTAT DU NON-RESPECT DES CLAUSES DE GARANTIE, D'UNE NON-CONFORMITÉ AUX SPÉCIFICATIONS DE COMMANDE, DE RETARDS DE LIVRAISON OU DE TOUTE AUTRE PÉRIE SUBIE PAR L'ACHETEUR.

en eau inadéquate ou un tuyau d'alimentation de taille inadéquate ou incorrect.

PAGE MERGE

PAGE VIERGE

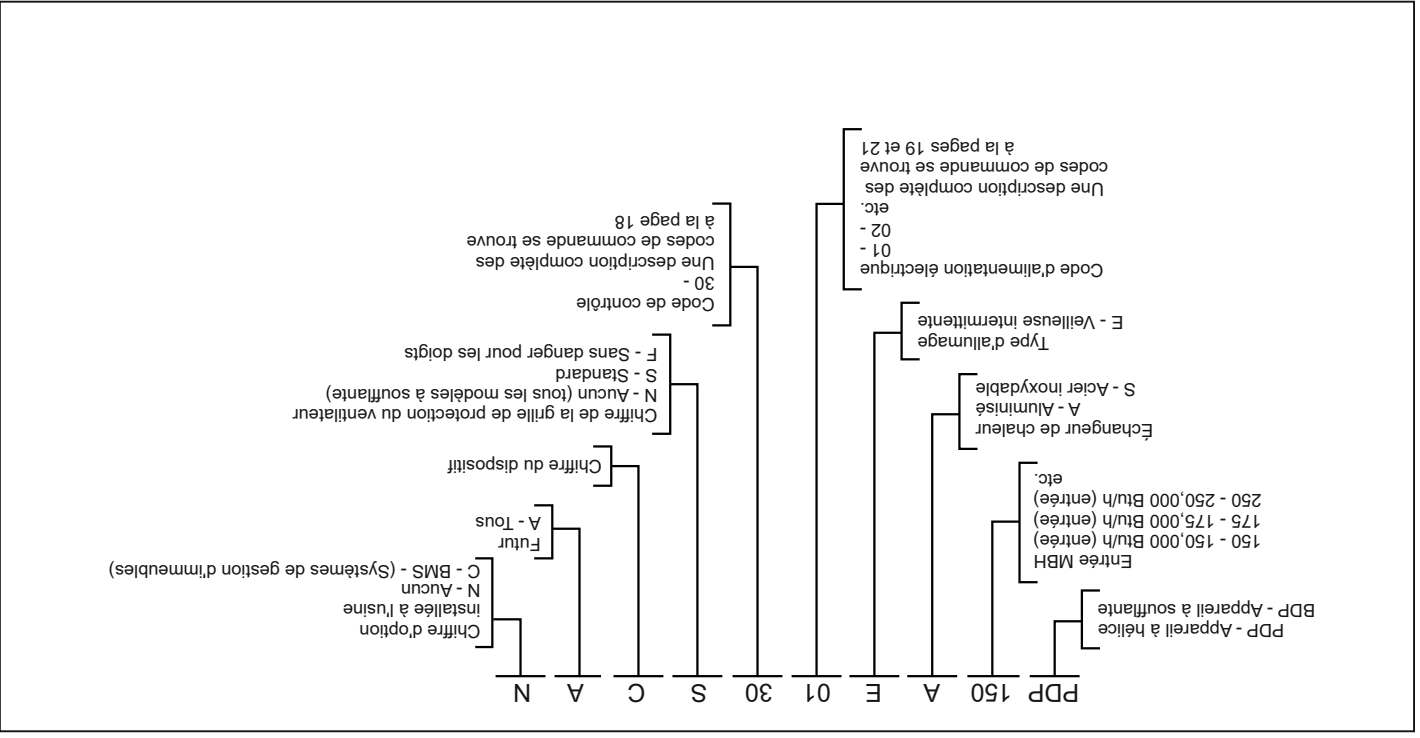
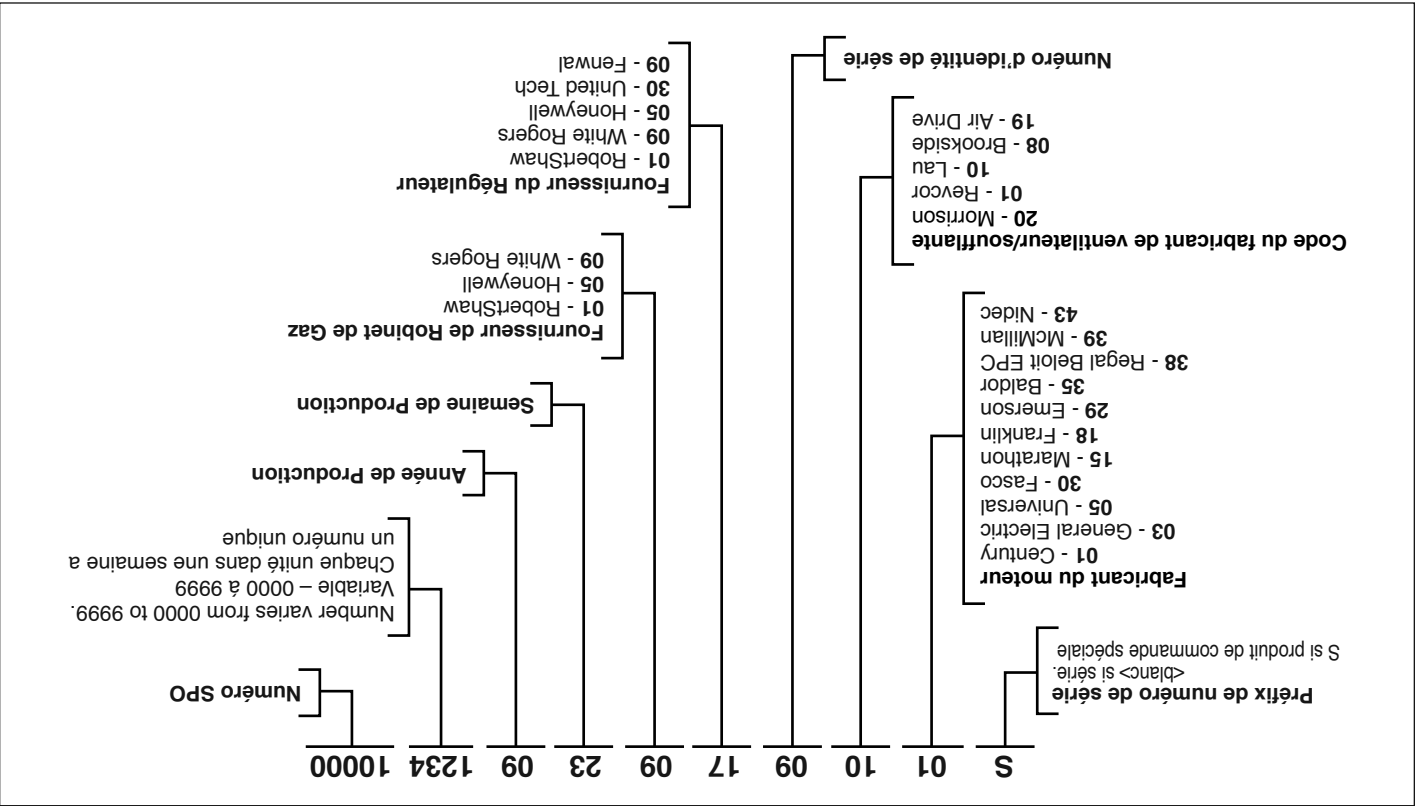


Figure 29.2 - Désignation des numéros de modèle



NUMÉRO DE MODÈLE/IDENTIFICATION DE LA PLAQUE SIGNALÉTIQUE

Figure 29.1 - Désignation des numéros de série

Problème	Cause possible	Solution possible
<p>Chaleur insuffisante</p> <ol style="list-style-type: none"> 1. L'appareil commence un nouveau cycle dès l'atteinte de la limite haute. <ul style="list-style-type: none"> a. Obstructions/fuites dans les canalisations. b. Pression principale trop élevée. c. Moteur de la soufflante hors tension. d. Courroie détendue e. Vitesse de la soufflante trop basse 2. Pression principale trop basse <ul style="list-style-type: none"> f. Système de ventilation bouche/endommagé. g. Cloison de distribution d'air retirée (appareils à haute montée de température seulement). h. Thermostateur défectueux. 3. Trop d'air extérieur. 4. Thermostat défectueux. 5. Commandes de gaz mal câblées. 6. Capacité de l'appareil insuffisante 	<ol style="list-style-type: none"> 1. Thermostat défectueux. 2. Les commandes de gaz ne se ferment pas. <ul style="list-style-type: none"> a. Commandes de gaz mal câblées. b. Court-circuit. 3. Pression de gaz réseau trop élevée. 4. Robinet de gaz défectueux. 	<ol style="list-style-type: none"> 1. Vérifiez/remplacez le thermostat. 2. <ul style="list-style-type: none"> a. Comparez le câblage de l'appareil au diagramme de câblage. b. Vérifiez s'il n'y a pas de fils débranchés ou usés. 3. Réglez à 14 po C.E. maximum. 4. Remplacez le robinet de gaz.
<p>Chaleur excessive</p>	<ol style="list-style-type: none"> 1. Thermostat défectueux. 2. Les commandes de gaz ne se ferment pas. <ul style="list-style-type: none"> a. Commandes de gaz mal câblées. 3. Pression de gaz réseau trop élevée. 4. Robinet de gaz défectueux. 	<ol style="list-style-type: none"> 1. Vérifiez/remplacez le thermostat. 2. <ul style="list-style-type: none"> a. Comparez le câblage de l'appareil au diagramme de câblage. b. Vérifiez s'il n'y a pas de fils débranchés ou usés. 3. Réglez à 14 po C.E. maximum. 4. Remplacez le robinet de gaz.

① Thermostateur à réarmement automatique

L'appareil de chauffage est fourni en série avec un thermostateur à réarmement automatique qui coupe le gaz si la température de l'air ventilé devient excessive. Pour l'emplacement du thermostateur à réarmement automatique de série, voir Figure 18.1, indicateur ⑦. Le commutateur devrait s'activer uniquement lorsque quelque chose entrave gravement le fonctionnement de l'appareil. Chaque fois que le commutateur s'active, corrigez immédiatement le problème, sinon de graves dégâts pourraient survenir. Si le commutateur coupe le gaz en cours de fonctionnement normal, consultez la section « Chaleur insuffisante » de Service et dépannage.

Figure 28.1 - Flamme vacillante ou mauvais alignement

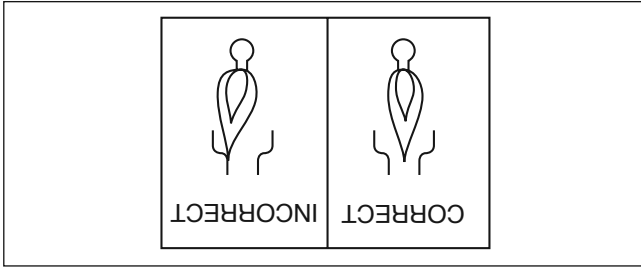


Figure 28.2 - Soulevement des flammes

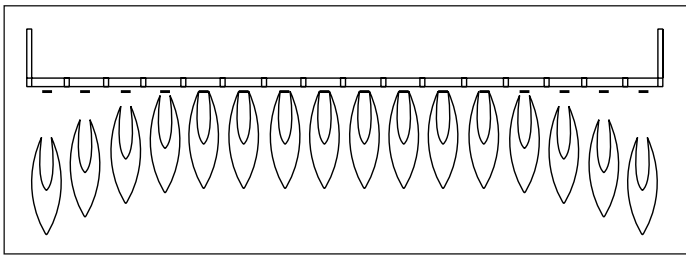


Figure 28.4 - Flamme rouillante

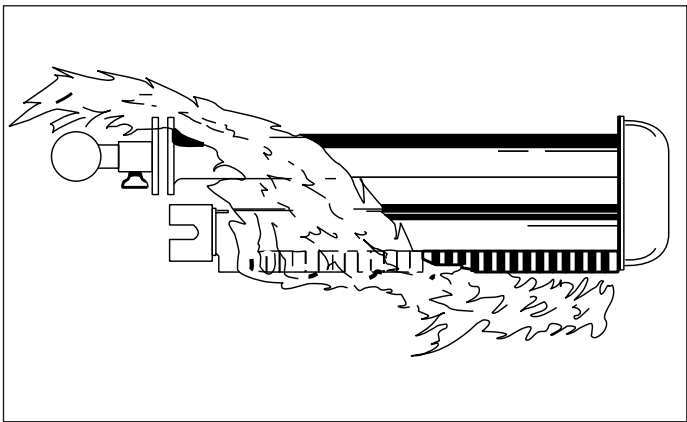


Figure 28.3 - Flottement des flammes

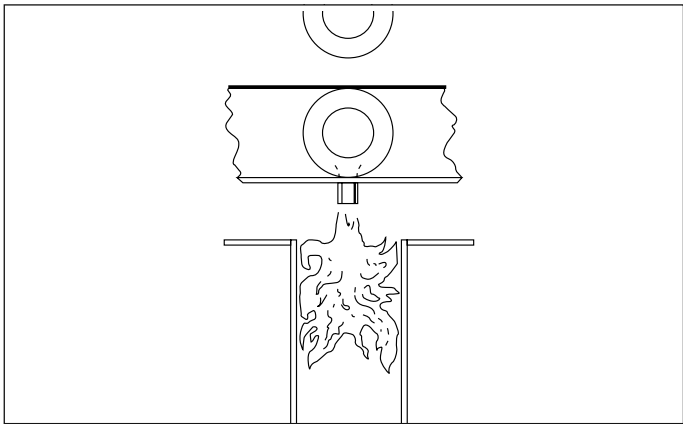


Tableau 27.1 – Dépannage

Problème	Cause possible	Solution possible
La veilleuse ne s'allume pas.	<ol style="list-style-type: none"> 1. Arrivée de gaz fermée. 2. Pas d'alimentation électrique. 3. Le tuyau de gaz est rempli d'air. 4. Saletés dans l'orifice de la veilleuse. 5. Pression de gaz hors norme. 6. Le robinet de gaz de la veilleuse ne s'ouvre pas. <ol style="list-style-type: none"> a. Contrôleur d'allumage défectueux. b. Fusible grillé sur la carte contrôleur. c. Robinet de gaz défectueux. 7. Pas d'étincelle à l'allumeur. <ol style="list-style-type: none"> a. Branchements électriques desserrés. b. Capteur de la veilleuse mis à la terre. c. Fusible grillé sur la carte contrôleur. d. Contrôleur d'allumage défectueux. 8. Le dispositif de sécurité a coupé l'alimentation électrique. <ol style="list-style-type: none"> a. Contrôleur d'allumage défectueux. b. Remplacez le fusible. c. Remplacez le capteur s'il est fissuré ou usé, d'allumage. d. Remplacez le contrôleur d'allumage. 9. Robinet de la veilleuse fermé 10. Contact de thermocouple sale 11. Courants d'air excessifs. 12. Fuite de raccord à l'orifice de la veilleuse 	<ol style="list-style-type: none"> 1. Ouvrez le robinet de gaz manuel. 2. Mettez sous tension. 3. Purgez le tuyau de gaz. 4. Vérifiez si l'orifice de la veilleuse n'est pas bouché et nettoyez à l'air comprimé au besoin. 5. Réglez à 35,5 cm (14 po) C.E. maximum. Minimum pour le gaz naturel – 6 po C.E. Minimum pour le propane – 11 po C.E. 6. Vérifiez si la tension est de 24 V sur le câble menant au robinet. <ol style="list-style-type: none"> a. Remplacez le contrôleur d'allumage. b. Remplacez le fusible. c. Remplacez le robinet de gaz. 7. a. Vérifiez tout le câblage du contrôleur d'allumage. <ol style="list-style-type: none"> a. Remplacez le capteur s'il est fissuré ou usé. b. Remplacez le fusible. c. Remplacez le contrôleur d'allumage. d. Remplacez le contrôleur d'allumage. 8. Vérifiez tous les dispositifs de sécurité (thermomètre, pressostat, commutateur de sécurité d'évacuation bloqué, etc.). Déterminez et corrigez le problème. Réarmez au besoin. 9. Ouvrez le robinet ou la manette de gaz de la commande de gaz mixte sur position veilleuse. Assurez-vous que le contact du thermocouple est propre. Si le problème persiste remplacez le thermocouple. 11. Trouvez la source et éloignez le débit d'air de l'appareil. 12. Serrez l'orifice de la veilleuse. Les flammes qui lèchent le thermocouple risquent de le rendre inopérant.
Les brûleurs principaux ne s'allument pas (veilleuse allumée).	<ol style="list-style-type: none"> 1. Robinet défectueux 2. Câble desserré. 3. Capteur de vieilluse défectueux. 4. Contrôleur d'allumage défectueux. 5. Thermostat mal câblé. 	<ol style="list-style-type: none"> 1. Remplacez le robinet. 2. Vérifiez le câblage du robinet de gaz. 3. Remplacez le capteur de la veilleuse. 4. Remplacez le contrôleur d'allumage. 5. Vérifiez le câblage en vous référant au diagramme de câblage.
Souèvement des flammes (Figure 28.2)	<ol style="list-style-type: none"> 1. Trop d'air primaire 2. Pression principale trop élevée. 3. Orifice trop large. 	<ol style="list-style-type: none"> 1. Réduisez le débit d'air primaire. 2. Réglez à 14 po C.E. maximum. 3. Comparez la taille de l'orifice à celle qui est indiquée sur la plaque de série.
Pointes jaunes (Avec le propane, des pointes jaunes sont toujours présentes sur les flammes.)	<ol style="list-style-type: none"> 1. Pas assez d'air primaire. 2. Orifice sale. 3. Orifice mal aligné. 	<ol style="list-style-type: none"> 1. Augmentez le débit d'air primaire. 2. Contrôlez les orifices et nettoyez à l'air comprimé au besoin. 3. Vérifiez le collecteur, remplacez au besoin.
Flammes vacillantes (Figure 28.1)	<ol style="list-style-type: none"> 1. Courants d'air à travers le brûleur. 2. Mauvais alignement du brûleur. 3. Échangeur de chaleur fissuré. 	<ol style="list-style-type: none"> 1. Éliminez les courants d'air. 2. Alignez le brûleur sur les broches de référence. 3. Remplacez l'échangeur de chaleur.
Retour de flamme	<ol style="list-style-type: none"> 1. Trop d'air primaire. 2. Pression principale trop élevée. 3. Orifice trop large. 	<ol style="list-style-type: none"> 1. Réduisez le débit d'air primaire. 2. Réglez à 14 po C.E. maximum. 3. Comparez la taille de l'orifice à celle qui est indiquée sur la plaque signalétique.
Flammes flottantes (Figure 28.3)	<ol style="list-style-type: none"> 1. Pas assez d'air primaire. 2. Pression principale trop élevée. 3. Orifice trop large. 4. Ventilation bouchée. 	<ol style="list-style-type: none"> 1. Augmentez le débit d'air primaire. 2. Réglez à 14 po C.E. maximum. 3. Comparez la taille de l'orifice à celle qui est indiquée sur la plaque de série. 4. Nettoyez/corrigez le système de ventilation.
Flamme roulante (voir Figure 28.4)	<ol style="list-style-type: none"> 1. Pression principale trop élevée. 2. Orifice trop large. 3. Ventilation bouchée. 	<ol style="list-style-type: none"> 1. Réglez à 14 po C.E. maximum. 2. Comparez la taille de l'orifice à celle qui est indiquée sur la plaque de série. 3. Nettoyez/corrigez le système de ventilation.

- Tuyauterie et commandes de gaz**
- La propreté générale et l'étanchéité des robinets et des tuyauteries de gaz doivent être vérifiées chaque année.
- Les commandes de gaz doivent être vérifiées afin de s'assurer que l'appareil fonctionne bien.
- Hélice**
- Vérifiez la lubrification du moteur si le moteur n'est pas à lubrification permanente. Inspectez l'état du ventilateur et ajustez sur l'arbre moteur. Nettoyez la poussière, les saletés ou les particules étrangères des pales du ventilateur.
- Soufflerie**
- La soufflerie inclut les roulements, les roues à gorge d'entraînement et les courroies. Les roulements de la soufflerie devront être vérifiés et lubrifiés selon les recommandations du fabricant de la soufflerie. L'usure inhabituelle des roulements devra également être vérifiée; remplacer au besoin.
- Les roues à gorge d'entraînement doivent être vérifiées durant l'inspection des roulements. Assurez-vous que les roues à gorge sont alignées et solidement fixées à l'arbre de la soufflerie et à l'arbre moteur.
- Révérifiez la courroie pour vous assurer qu'elle ne s'est pas distendue. Après le démarrage initial, des contrôles mensuels sont recommandés.
- Dépôt de collecteur**
- Pour déposer le collecteur :
1. Coupez le gaz et l'électricité.
 2. Abaissez le bac inférieur pour exposer le brûleur et le collecteur (Figure 16.2).
 3. Déconnectez le tube de la veilleuse et le fil du thermocouple (ou le câble d'allumage) à la commande de gaz mixtes (et commande d'allumage).
 4. Déconnectez les fils de commande pour la commande de gaz mixtes.
 5. Déconnectez le collecteur de gaz au raccord union.
 6. Retirez les deux vis qui fixent le collecteur au support de l'échangeur thermique.
 7. Nettoyez les orifices et ajustez les volets d'air au besoin.
 8. Reprenez les étapes 2 à 6 dans l'ordre inverse pour installer le collecteur.
 9. Ouvrez le gaz et allumez l'électricité.
 10. Avec une solution de savon, assurez-vous que le raccord union ne fuit pas. Serrez-le au besoin.
- Démontage du brûleur et de la veilleuse**
- Pour déposer le brûleur :
1. Coupez le gaz et l'électricité.
 2. Abaissez le bac inférieur pour exposer le brûleur et le collecteur (Figure 16.2).
 3. Déconnectez le tube de la veilleuse et le fil du thermocouple (ou le câble d'allumage) à la commande de gaz mixtes (et commande d'allumage).
 4. Enlevez les deux goupilles qui fixent le brûleur en place. Le brûleur peut ensuite être facilement abaissé de l'appareil.
 5. Examinez la propreté et/ou les obstructions du brûleur et de la veilleuse au besoin (pour les instructions de nettoyage, voir l'entretien général de l'appareil).
 6. Remettez le brûleur en place en procédant dans l'ordre inverse. En remettant le brûleur en place, assurez-vous que les fentes à l'avant du brûleur sont correctement situées sur leurs rivets et que les goupilles de retenue du brûleur sont remises dans leur emplacement initial.
 7. Rebranchez le câble d'allumage et la conduite d'arrivée de gaz de la veilleuse.
 8. Ouvrez le gaz et allumez l'électricité.

Câblage électrique

Le câblage électrique doit être vérifié une fois par année (branchements desserrés ou gaine isolante abîmée).

1. La prise d'air de combustion et la tuyauterie du chapeau.
2. Les orifices du brûleur principal et du brûleur de la veilleuse (pour nettoyer ces orifices, évitez d'utiliser des instruments pointus durs, capables de les endommager). Pour vérifier les volets d'air et les orifices du brûleur principal, voir Démontage du collecteur.
3. Les volets d'air et les orifices du brûleur principal (pour nettoyer ces orifices, évitez d'utiliser des instruments pointus durs, capables de les endommager). Pour vérifier les orifices du brûleur principal et du brûleur de la veilleuse, voir Démontage du brûleur et de la veilleuse.
4. L'échangeur de chaleur. Nettoyez les tubes à partir du bas avec une brosse non métallique à soies raides.
5. L'échangeur thermique doit être vérifié une fois par année (fissures et décoloration des tubes). Si une fissure est décelée, l'échangeur thermique doit être remplacé avant la remise en service de l'appareil. Si les tubes sont gris foncé, la circulation d'air à travers l'échangeur thermique devra être vérifiée pour confirmer l'absence d'obstruction et le fonctionnement correct de la soufflerie.

Lorsque vous

- effectuez la maintenance annuelle de l'appareil de chauffage, évitez de le salir (poussière, saletés, graisse et matières étrangères). Faites particulièrement attention aux points suivants :
- AVANT TOUTE INTERVENTION D'ENTRETIEN, ASSUREZ-VOUS DE FERMER LE ROBINET D'ARRÊT MANUEL, SITUÉ EN AMONT DU RÉGULATEUR DE GAZ COMBINÉ, ET COUPEZ L'ALIMENTATION ÉLECTRIQUE DE L'APPAREIL.**

L'appareil et le système d'évacuation des gaz doivent être vérifiés une fois par an par un technicien d'entretien qualifié. **Toutes les opérations d'installation et d'entretien doivent être confiées à une entreprise qualifiée.**

Maintenance générale

REMARQUE : Pour essayer la plupart des Solutions possibles suggérées dans le tableau de dépannage 27.1, reportez-vous aux sections correspondantes du manuel.

1. L'entretien et les réparations de l'appareil doivent être confiés à un centre de SAV qualifié.
2. Ne tentez pas de réutiliser un contrôleur mécanique ou électronique qui a été mouillé. Remplacez tout contrôleur défectueux.

ATTENTION

Pour l'entretien et les réparations de cet appareil, n'utiliser que des pièces d'origine certifiées. Pour la liste complète des pièces de rechange, adressez-vous au fabricant. Le numéro de modèle complet, le numéro de série et l'adresse du fabricant figurent sur la plaque signalétique fixée à l'appareil. Toute substitution de pièce ou commande non approuvée par le fabricant sera aux risques du propriétaire.

AVERTISSEMENT

DIMENSIONS

Figure 25.1 - Plans cotés - Modèles à soufflante (BDP)

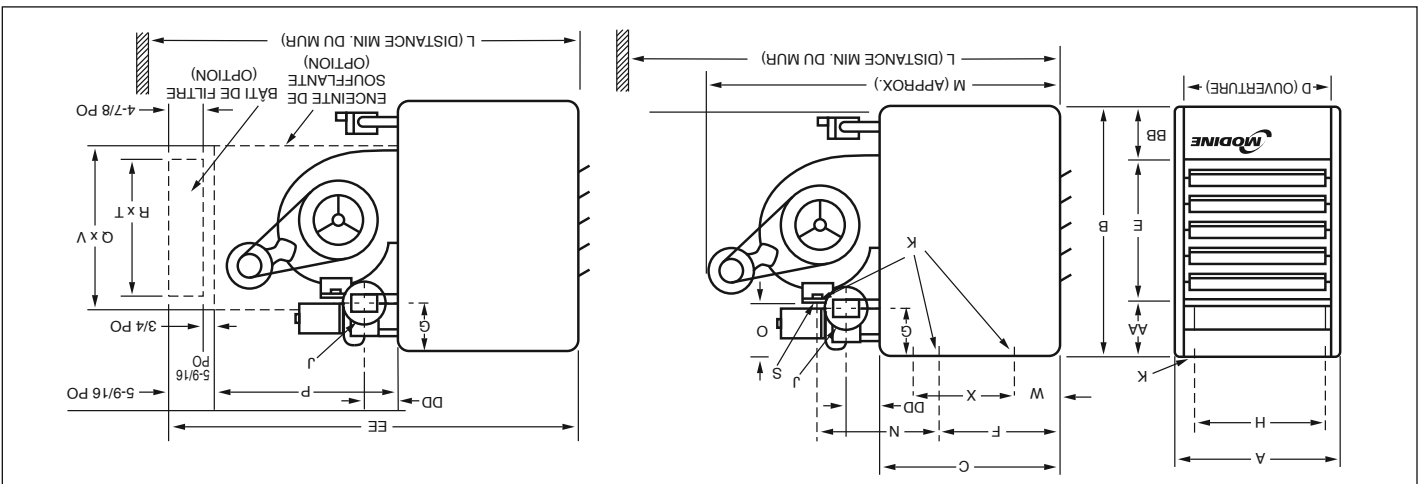


Tableau 25.1 - Dimensions (pouces) - BDP

Symbole de dimension	Numéro de modèle					
	BDP 150	BDP 175	BDP 200	BDP 250	BDP 300	BDP 350
A	21	23-1/2	25-5/8	25-5/8	28-5/8	33-5/8
B	35-1/4	35-1/4	40-1/4	40-1/4	40-1/4	40-1/4
C	22	22	25	25	25	25
D	18-9/16	21-1/16	23-3/16	23-3/16	26-3/16	31-3/16
E	20	20	24	24	24	24
F	12	12	13-1/2	13-1/2	14	-
G	6-9/16	6-9/16	7-1/2	7-1/2	7-1/2	7-1/2
H	17-3/8	19-7/8	22	22	25	30
J	5 ①	5 ①	5 ①	6	6	6
K	3/8-16	3/8-16	3/8-16	3/8-16	3/8-16	3/8-16
L avec boîtier de soufflante et bâti de filtre	62-5/8	62-5/8	69-5/8	69-5/8	69-5/8	69-5/8
L sans boîtier de soufflante et bâti de filtre	53-1/8	53-1/8	61	61	61	61
M ②	47-1/8	47-1/8	55	55	55	55
N ③	21-1/2	21-1/2	25-7/16	25-7/16	24-15/16	17-15/16
O	7-1/4	7-1/4	8-1/2	8-1/2	8-1/2	8-1/2
P	30	30	34	34	34	34
Q Haut de boîtier de soufflante	21-3/8	21-3/8	25-1/8	25-1/8	25-1/8	25-1/8
R Hauteur de conduite d'arrivée	20	20	23-3/4	23-3/4	23-3/4	23-3/4
S Entraxe	17-5/16	17-3/8	20-3/8	20-3/8	20-3/8	20-3/8
T Largeur conduite d'arrivée	27-1/2	27-1/2	32-3/4	32-3/4	32-3/4	42-7/8
V Largeur boîtier soufflante	29	29	34-1/4	34-1/4	34-1/4	44-3/8
W	-	-	-	-	-	5
X	-	-	-	-	-	16
AA	8	8	9	9	9	9
BB	7-1/4	7-1/4	7-1/4	7-1/4	7-1/4	7-1/4
DD	2-3/4	2-3/4	2-3/4	2-3/4	3-3/8	3-3/8
EE	56-5/8	56-5/8	63-5/8	63-5/8	63-5/8	63-5/8
Raccordements au gaz ⑤	1/2	1/2	1/2	3/4	3/4	3/4
Diamètre moteur soufflante	13	13	15	15	15	15
Poids approx.	152	152	152	315	339	428

- ① Le raccord d'évacuation est de 5 po, raccorder à une transition d'évacuation fournie par l'usine. Pour les tailles de modèle 150 et 175, la transition fournie par l'usine est de 4 po (jusqu'à la sortie de l'extracteur) à 5 po (jusqu'au système d'évacuation). Pour la taille de modèle 200, la transition fournie par l'usine est de 6 po (jusqu'à la sortie de l'extracteur) à 5 po (jusqu'au système d'évacuation).
- ② BDP 150 à BDP 300 — 4 trous (2 sur soufflante et 2 sur appareil). BDP 350 et BDP 400 — 6 trous (2 sur soufflante et 4 sur appareil). (Le diamètre de trou et les filets par pouce pour accepter la tige fileté sont indiqués.)
- ③ Dimension approximative pour tous les moteurs de série; comptez 3 po pour les moteurs à roue à gorge et en option.
- ④ Distance entre le trou de fixation dans le boîtier de l'appareil et le trou de montage dans la soufflante. Sur les BDP 350 et BDP 400, la distance est mesurée du trou de montage arrière du boîtier au trou de montage de la soufflante.
- ⑤ Pour le gaz naturel; peut varier selon les commandes disponibles.

DIMENSIONS

Figure 24.1 - Plans cotés – Modèles à hélice (PDP)

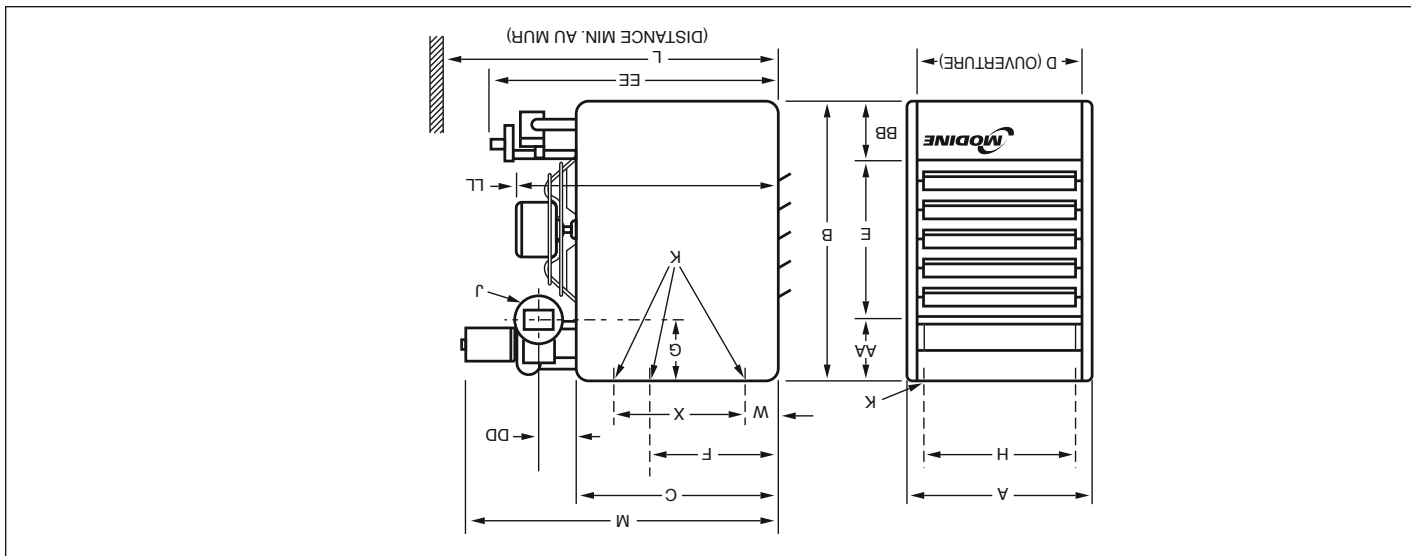


Tableau 24.1 - Dimensions (pouces) – PDP ①

Symbole de dimension	Numéro de modèle														
	PDP 150	PDP 175	PDP 200	PDP 250	PDP 300	PDP 350	PDP 400								
A	21	23-1/2	25-5/8	25-5/8	28-5/8	33-5/8	40	B	35-1/4	35-1/4	40-1/4	40-1/4	40-1/4	40-1/4	40-1/4
B	35-1/4	35-1/4	40-1/4	40-1/4	40-1/4	40-1/4	40-1/4	C	22	22	25	25	25	25	25
C	22	22	25	25	25	25	25	D	18-9/16	21-1/16	23-3/16	23-3/16	26-3/16	31-3/16	37-1/2
D	18-9/16	21-1/16	23-3/16	23-3/16	26-3/16	31-3/16	37-1/2	E	20	20	24	24	24	24	24
E	20	20	24	24	24	24	24	F	12	12	13-1/2	13-1/2	14	-	-
F	12	12	13-1/2	13-1/2	14	-	-	G	6-9/16	6-9/16	7-1/2	7-1/2	7-1/2	7-1/2	7-1/2
G	6-9/16	6-9/16	7-1/2	7-1/2	7-1/2	7-1/2	7-1/2	H	17-3/8	19-7/8	22	22	25	30	36-3/8
H	17-3/8	19-7/8	22	22	25	30	36-3/8	J	5 ②	5 ②	5 ②	5 ②	6	6	6
J	5 ②	5 ②	5 ②	5 ②	6	6	6	K (trous de montage) ③	3/8-16	3/8-16	3/8-16	3/8-16	3/8-16	3/8-16	3/8-16
K (trous de montage) ③	3/8-16	3/8-16	3/8-16	3/8-16	3/8-16	3/8-16	3/8-16	L ④	35-13/16	35-9/16	40-3/4	40-3/4	40-3/4	40-3/4	44-3/16
L ④	35-13/16	35-9/16	40-3/4	40-3/4	40-3/4	40-3/4	44-3/16	M	29-13/16	29-9/16	34-3/4	34-3/4	34-3/4	34-11/16	38-3/16
M	29-13/16	29-9/16	34-3/4	34-3/4	34-3/4	34-11/16	38-3/16	W	-	-	-	-	5	5	5
W	-	-	-	-	-	5	5	X	-	-	-	-	16	16	16
X	-	-	-	-	-	16	16	AA	8	8	9	9	9	9	9
AA	8	8	9	9	9	9	9	BB	7-1/4	7-1/4	7-1/4	7-1/4	7-1/4	7-1/4	
BB	7-1/4	7-1/4	7-1/4	7-1/4	7-1/4	7-1/4	7-1/4	DD	2-3/4	2-3/4	3-3/8	3-3/8	3-3/8	3-3/8	
DD	2-3/4	2-3/4	3-3/8	3-3/8	3-3/8	3-3/8	3-3/8	EE	30-1/2	30-1/2	32-7/8	32-7/8	32-7/8	32-7/8	
EE	30-1/2	30-1/2	32-7/8	32-7/8	32-7/8	32-7/8	32-7/8	LL	31-1/8	31-1/8	34-7/8	34-7/8	36-1/4	36-1/4	
LL	31-1/8	31-1/8	34-7/8	34-7/8	34-7/8	36-1/4	36-1/4	Raccordements au gaz ⑤	1/2	1/2	1/2	3/4	3/4	3/4	
Raccordements au gaz ⑤	1/2	1/2	1/2	3/4	3/4	3/4	3/4	Diamètre du ventilateur	16	18	20	20	22	22	24
Diamètre du ventilateur	16	18	20	20	22	22	24	Poids approx.	168	175	239	239	269	338	418

① N'utilisez pas les modèles à hélice avec des gaines.

② Le raccord d'évacuation est de 5 po, raccordée à une transition d'évacuation fournie par l'usine. Pour les tailles de modèle 150 et 175, la transition fournie par l'usine est de 4 po (jusqu'à la sortie de l'extracteur) à 5 po (jusqu'au système d'évacuation). Pour la taille de modèle 200, la transition fournie par l'usine est de 6 po (jusqu'à la sortie de l'extracteur) à 5 po (jusqu'au système d'évacuation).

③ PDP 150 à PDP 300 — 2 trous (et dispositif d'ajustement de suspension à l'horizontale), PDP 350 à PDP 400 — 4 trous. (Le diamètre de trou et les filets par pouce pour accepter la tige fileté sont indiqués.)

④ Dimension égale hors-tout plus 30,5 cm.

⑤ Pour le gaz naturel; peut varier selon les commandes disponibles.

Le tableau ci-dessus est basé sur une température d'arrivée d'air de 70 °F et une augmentation de la température de l'air de 55 °F. Les déflecteurs d'air sur les buses de retourement à 40° et 90° sont perpendiculaires à la face de l'ouverture de retourement d'air. Sur les buses à 5 voies, tous les déflecteurs d'air sont perpendiculaires au sol. Pression statique mesurée à 0,1 po C.E. pour la buse à 90°, 0,2 po C.E. pour la buse à 40° et la buse à 5 voies, et à 0,3 po C.E. pour la buse de séparation à 40°. Les vitesses de sortie sont d'environ 1750 pl/min pour les buses à 40°, de 1000 pl/min pour la buse à 90° et de 1300 pl/min pour la buse à 5 voies. Pour la taille du moteur, l'entraînement et le régime de la soufflante, voir page 20. Hauteur de montage mesurée du bas de l'appareil.

Type de buse	Numéro de modèle						
	BDP 150	BDP 175	BDP 200	BDP 250	BDP 300	BDP 350	BDP 400
40° vers le bas	Haut. max. de montage (pi) H	26	25	27	29	31	32
	Portée de chauffage (pi) T	79	76	81	86	94	96
90° verticale	Couverture de chauffage (pi) S	26	26	24	29	31	32
	Haut. montage max. (pi) H	24	24	23	25	28	30
Séparation à 40°	Portée de chauffage (pi) T	60	59	59	62	70	75
	Couverture de chauffage (pi) S	120	118	117	124	140	151
5 voies	Haut. montage max. (pi) H	22	21	20	25	26	23
	Couverture de chauffage (pi) S	31	29	28	35	36	32

Tableau 23.1 - Hauteur de montage, portée et couverture de chauffage (pi)

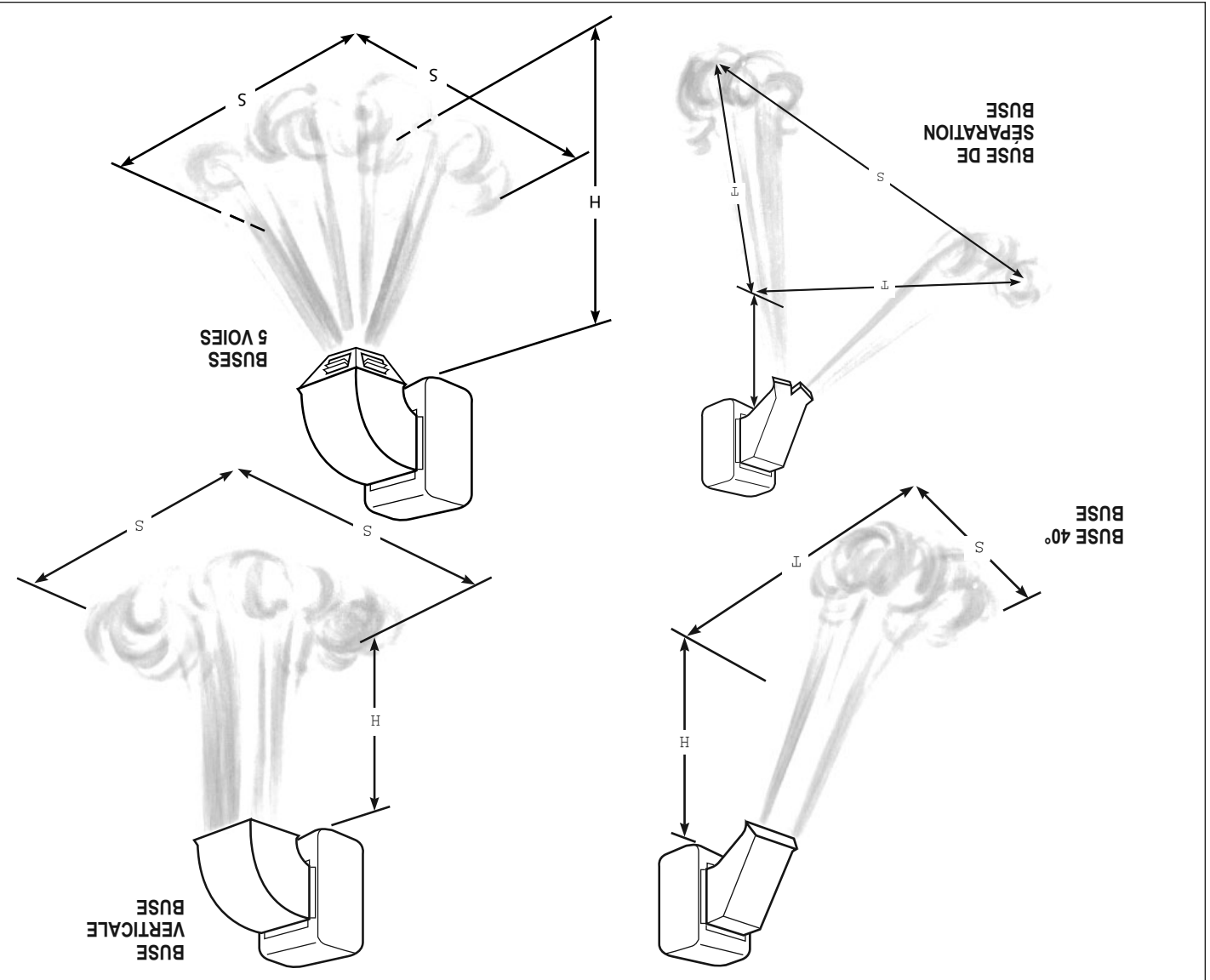


Figure 23.1 - Hauteur de montage, portée et couverture de chauffage (pi)

DONNÉES DE PERFORMANCE – BUSES

DONNÉES DE PERFORMANCE - HOTTES

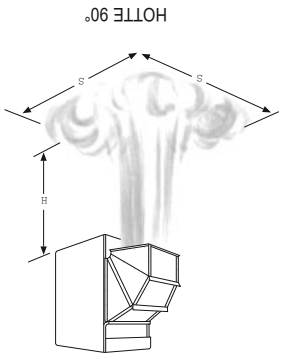
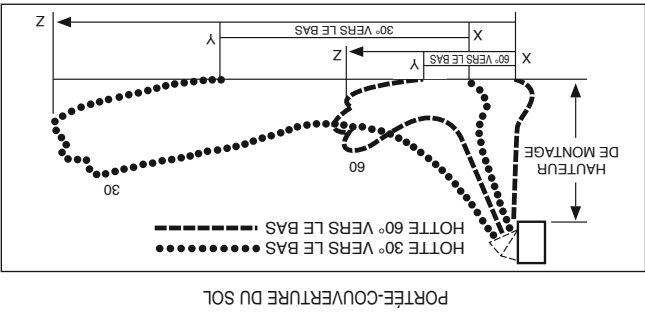
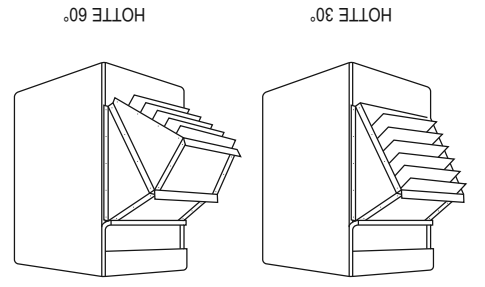
Tableau 22.1 - Données de performance – hottes de déflexion vers le bas à 30°, 60° et 90°

Hauteur de montage jusqu'au chaudière	Hotte à 30° vers le bas pour modèles à hélice											
	PDP 150	PDP 175	PDP 200	PDP 250	BDP 200	BDP 250	BDP 300	BDP 350	BDP 400	X Y Z	X Y Z	X Y Z
8 pi	16 36 49	18 38 52	15 33 45	21 44 60	24 49 67	31 63 86	35 69 94	37 73 99	30 61 84	X Y Z	X Y Z	X Y Z
10 pi	15 34 47	17 37 51	14 31 43	20 43 59	23 49 67	30 62 85	34 69 94	36 72 98	29 61 83	X Y Z	X Y Z	X Y Z
12 pi	14 33 45	15 35 49	12 30 41	19 42 58	22 48 66	29 62 84	33 68 93	34 71 97	28 60 82	X Y Z	X Y Z	X Y Z
14 pi	12 30 42	14 33 46	11 27 37	17 40 56	20 46 63	28 61 83	33 71 96	33 71 96	27 59 80	X Y Z	X Y Z	X Y Z
16 pi	10 27 38	12 31 43	8 22 31	16 38 53	19 44 61	27 59 81	32 69 95	32 69 95	26 57 79	X Y Z	X Y Z	X Y Z
18 pi	6 20 29	9 26 37	6 18 26	14 36 50	17 42 58	25 58 80	31 68 93	31 68 93	24 56 77	X Y Z	X Y Z	X Y Z
20 pi				12 32 45	15 35 49	24 56 77	28 63 87	30 67 92	23 54 75	X Y Z	X Y Z	X Y Z
22 pi				8 24 35	13 35 49	22 54 75	26 62 85	28 65 90	21 52 72	X Y Z	X Y Z	X Y Z
24 pi				8 26 38	10 29 42	16 41 57	25 65 82	27 63 87	20 49 69	X Y Z	X Y Z	X Y Z
26 pi					8 24 36	18 44 61	26 66 86	25 64 85	18 46 64	X Y Z	X Y Z	X Y Z
28 pi					8 25 37	16 41 57	24 53 73	27 63 87	15 41 58	X Y Z	X Y Z	X Y Z
30 pi						16 42 59	24 53 73	25 62 84	12 36 52	X Y Z	X Y Z	X Y Z

Hauteur de montage jusqu'au chaudière	Hotte à 60° vers le bas pour modèles à hélice											
	PDP 150	PDP 175	PDP 200	PDP 250	BDP 200	BDP 250	BDP 300	BDP 350	BDP 400	X Y Z	X Y Z	X Y Z
8 pi	0 38 52	0 40 55	0 35 47	0 47 65	0 52 72	0 49 68	0 56 93	0 74 102	0 66 90	X Y Z	X Y Z	X Y Z
10 pi	0 36 49	0 39 53	0 33 45	0 46 63	0 51 70	0 48 74	0 55 81	0 74 101	0 65 88	X Y Z	X Y Z	X Y Z
12 pi	0 33 46	0 36 50	0 30 41	0 44 60	0 50 69	0 48 67	0 55 79	0 72 99	0 63 87	X Y Z	X Y Z	X Y Z
14 pi	0 30 41	0 33 46	0 26 36	0 41 57	0 48 65	0 46 63	0 53 73	0 71 97	0 62 85	X Y Z	X Y Z	X Y Z
16 pi	0 25 35	0 29 41	0 19 27	0 38 53	0 45 62	0 43 54	0 50 68	0 69 95	0 60 82	X Y Z	X Y Z	X Y Z
18 pi	0 13 19	0 23 32	0 12 17	0 35 48	0 42 58	0 40 51	0 47 64	0 68 93	0 58 79	X Y Z	X Y Z	X Y Z
20 pi				0 29 40	0 38 52	0 31 43	0 39 54	0 70 95	0 55 72	X Y Z	X Y Z	X Y Z
22 pi				0 16 23	0 32 45	0 21 30	0 34 47	0 67 92	0 52 72	X Y Z	X Y Z	X Y Z
24 pi				0 19 28	0 32 45	0 25 35	0 44 61	0 67 92	0 48 66	X Y Z	X Y Z	X Y Z
26 pi					0 16 24	0 31 43	0 48 66	0 67 92	0 43 60	X Y Z	X Y Z	X Y Z
28 pi					0 16 23	0 33 45	0 48 66	0 67 92	0 43 60	X Y Z	X Y Z	X Y Z
30 pi						0 30 43	0 46 64	0 65 90	0 40 56	X Y Z	X Y Z	X Y Z

Hauteur de montage jusqu'au chaudière	Hotte à 90° vers le bas pour modèles à hélice											
	PDP 150	PDP 175	PDP 200	PDP 250	BDP 200	BDP 250	BDP 300	BDP 350	BDP 400	PDP 150	PDP 175	PDP 200
8 pi	38	42	36	54	62	58	79	113	121	S	S	S
10 pi	34	37	32	48	56	52	70	108	113	S	S	S
12 pi	31	34	29	44	51	47	64	99	101	S	S	S
14 pi	29	32	27	41	47	42	53	91	94	S	S	S
16 pi	27	29	25	38	44	39	48	85	88	S	S	S
18 pi	25	28	24	36	42	37	47	81	84	S	S	S
20 pi	24	26	23	34	40	36	45	76	77	S	S	S
22 pi	23	25	22	33	38	34	44	73	74	S	S	S
24 pi	21	24	21	31	36	32	42	70	71	S	S	S
26 pi	20	23	20	30	35	31	40	67	68	S	S	S
28 pi	19	22	19	29	34	30	39	65	66	S	S	S
30 pi	18	21	18	28	33	29	38	63	64	S	S	S

① Données basées sur des appareils allumés à l'entrée nominale maximum avec une température d'arrivée d'air de 60 à 80 °F. Hauteurs de montage maximums supérieures à celles d'appareils sans dispositifs de sortie.
 ② Données basées sur des appareils allumés à l'entrée nominale maximum avec une température d'arrivée d'air de 60 à 80 °F et une augmentation de température de 40 °F à travers l'appareil.



DONNÉES DE PERFORMANCE GÉNÉRALES

Tableau 21.1 - Description des codes de puissance - Modèle soufflante BDP ①

Code d'alimentation	Tension	Phase	150			175			200			250			300			350			400			
			HP	Entraînement	HP	Entraînement	HP	Entraînement	HP	Entraînement	HP	Entraînement	HP	Entraînement	HP	Entraînement	HP	Entraînement	HP	Entraînement	HP	Entraînement		
01	115	1/4	1	191	1/4	1	191	1/4	1	212	1/4	1	212	1/4	1	212	1/4	1	212	1/4	1	212	1/4	1
02	230	1/4	1	191	1/4	3	197	1/4	3	212	1/4	3	212	1/4	3	212	1/4	3	212	1/4	3	212	1/4	3
07	575	1/4	3	197	1/4	3	197	1/4	3	212	1/4	3	212	1/4	3	212	1/4	3	212	1/4	3	212	1/4	3
08	208-230/460	1/4	3	191	1/4	3	197	1/4	3	212	1/4	3	212	1/4	3	212	1/4	3	212	1/4	3	212	1/4	3
09	115	1/3	1	191	1/3	1	191	1/3	1	212	1/3	1	212	1/3	1	212	1/3	1	212	1/3	1	212	1/3	1
10	230	1/3	1	191	1/3	1	191	1/3	1	212	1/3	1	212	1/3	1	212	1/3	1	212	1/3	1	212	1/3	1
15	575	1/3	3	197	1/3	3	197	1/3	3	213	1/3	3	213	1/3	3	213	1/3	3	213	1/3	3	213	1/3	3
16	208-230/460	1/3	3	191	1/3	3	191	1/3	3	212	1/3	3	212	1/3	3	212	1/3	3	212	1/3	3	212	1/3	3
17	115	1/3	1	95	1/3	1	95	1/3	1	102	1/3	1	102	1/3	1	102	1/3	1	102	1/3	1	102	1/3	1
18	230	1/3	1	95	1/3	1	95	1/3	1	102	1/3	1	102	1/3	1	102	1/3	1	102	1/3	1	102	1/3	1
23	575	1/3	3	96	1/3	3	96	1/3	3	101	1/3	3	101	1/3	3	101	1/3	3	101	1/3	3	101	1/3	3
24	208-230/460	1/3	3	95	1/3	3	96	1/3	3	102	1/3	3	102	1/3	3	102	1/3	3	102	1/3	3	102	1/3	3
25	115	1/2	1	96	1/2	1	96	1/2	1	101	1/2	1	101	1/2	1	101	1/2	1	101	1/2	1	101	1/2	1
26	230	1/2	1	96	1/2	1	96	1/2	1	101	1/2	1	101	1/2	1	101	1/2	1	101	1/2	1	101	1/2	1
31	575	1/2	3	96	1/2	3	96	1/2	3	101	1/2	3	101	1/2	3	101	1/2	3	101	1/2	3	101	1/2	3
32	208-230/460	1/2	3	96	1/2	3	96	1/2	3	101	1/2	3	101	1/2	3	101	1/2	3	101	1/2	3	101	1/2	3
33	115	3/4	1	38	3/4	1	38	3/4	1	16	3/4	1	16	3/4	1	16	3/4	1	16	3/4	1	16	3/4	1
34	230	3/4	1	38	3/4	1	38	3/4	1	16	3/4	1	16	3/4	1	16	3/4	1	16	3/4	1	16	3/4	1
39	575	3/4	3	38	3/4	3	38	3/4	3	16	3/4	3	16	3/4	3	16	3/4	3	16	3/4	3	16	3/4	3
40	208-230/460	3/4	3	38	3/4	3	38	3/4	3	16	3/4	3	16	3/4	3	16	3/4	3	16	3/4	3	16	3/4	3
41	115	1	1	38	1-1/2	1	38	1-1/2	1	16	1-1/2	1	16	1-1/2	1	16	1-1/2	1	16	1-1/2	1	16	1-1/2	1
42	230	1	1	38	1-1/2	1	38	1-1/2	1	16	1-1/2	1	16	1-1/2	1	16	1-1/2	1	16	1-1/2	1	16	1-1/2	1
47	575	3	1	254	1-1/2	3	198	1-1/2	3	178	1-1/2	3	178	1-1/2	3	178	1-1/2	3	178	1-1/2	3	178	1-1/2	3
48	208-230/460	3	1	254	1-1/2	3	198	1-1/2	3	178	1-1/2	3	178	1-1/2	3	178	1-1/2	3	178	1-1/2	3	178	1-1/2	3
49	115	1/4	1	13	1-1/2	1	105	1-1/2	1	105	1-1/2	1	105	1-1/2	1	105	1-1/2	1	105	1-1/2	1	105	1-1/2	1
49	115	1/4	1	13	1-1/2	1	105	1-1/2	1	105	1-1/2	1	105	1-1/2	1	105	1-1/2	1	105	1-1/2	1	105	1-1/2	1
50	230	1/4	1	13	1-1/2	1	105	1-1/2	1	105	1-1/2	1	105	1-1/2	1	105	1-1/2	1	105	1-1/2	1	105	1-1/2	1
55	575	1/4	3	14	1-1/2	3	80	1-1/2	3	180	1-1/2	3	180	1-1/2	3	180	1-1/2	3	180	1-1/2	3	180	1-1/2	3
56	208-230/460	1/4	3	13	1-1/2	3	80	1-1/2	3	180	1-1/2	3	180	1-1/2	3	180	1-1/2	3	180	1-1/2	3	180	1-1/2	3
57	115	3/4	1	96	3/4	1	96	3/4	1	24	3/4	1	24	3/4	1	24	3/4	1	24	3/4	1	24	3/4	1
58	230	3/4	1	96	3/4	1	96	3/4	1	24	3/4	1	24	3/4	1	24	3/4	1	24	3/4	1	24	3/4	1
63	575	3	3	96	3/4	3	96	3/4	3	25	3/4	3	25	3/4	3	25	3/4	3	25	3/4	3	25	3/4	3
64	208-230/460	3	3	96	3/4	3	96	3/4	3	24	3/4	3	24	3/4	3	24	3/4	3	24	3/4	3	24	3/4	3
65	115	1	1	79	1-1/2	1	79	1-1/2	1	24	1-1/2	1	24	1-1/2	1	24	1-1/2	1	24	1-1/2	1	24	1-1/2	1
66	230	1	1	79	1-1/2	1	79	1-1/2	1	24	1-1/2	1	24	1-1/2	1	24	1-1/2	1	24	1-1/2	1	24	1-1/2	1
71	575	3	3	80	1-1/2	3	80	1-1/2	3	25	1-1/2	3	25	1-1/2	3	25	1-1/2	3	25	1-1/2	3	25	1-1/2	3
72	208-230/460	3	3	80	1-1/2	3	80	1-1/2	3	24	1-1/2	3	24	1-1/2	3	24	1-1/2	3	24	1-1/2	3	24	1-1/2	3
73	115	1	1	25	1/2	1	25	1/2	1	25	1/2	1	25	1/2	1	25	1/2	1	25	1/2	1	25	1/2	1
74	230	1	1	25	1/2	1	25	1/2	1	25	1/2	1	25	1/2	1	25	1/2	1	25	1/2	1	25	1/2	1
79	575	3	3	25	1/2	3	25	1/2	3	25	1/2	3	25	1/2	3	25	1/2	3	25	1/2	3	25	1/2	3
80	208-230/460	3	3	25	1/2	3	25	1/2	3	25	1/2	3	25	1/2	3	25	1/2	3	25	1/2	3	25	1/2	3
81	115	1	1	101	3/4	1	101	3/4	1	101	3/4	1	101	3/4	1	101	3/4	1	101	3/4	1	101	3/4	1
82	230	1	1	101	3/4	1	101	3/4	1	101	3/4	1	101	3/4	1	101	3/4	1	101	3/4	1	101	3/4	1
87	575	3	3	101	3/4	3	101	3/4	3	101	3/4	3	101	3/4	3	101	3/4	3	101	3/4	3	101	3/4	3
88	208-230/460	3	3	101	3/4	3	101	3/4	3	101	3/4	3	101	3/4	3	101	3/4	3	101	3/4	3	101	3/4	3
89	115	1	1	23	1-1/2	1	23	1-1/2	1	23	1-1/2	1	23	1-1/2	1	23	1-1/2	1	23	1-1/2	1	23	1-1/2	1
90	230	1	1	23	1-1/2	1	23	1-1/2	1	23	1-1/2	1	23	1-1/2	1	23	1-1/2	1	23	1-1/2	1	23	1-1/2	1
95	575	3	3	177	1-1/2	3	177	1-1/2	3	177	1-1/2	3	177	1-1/2	3	177	1-1/2	3	177	1-1/2	3	177	1-1/2	3
96	208-230/460	3	3	177	1-1/2	3	177	1-1/2	3	177	1-1/2	3	177	1-1/2	3	177	1-1/2	3	177	1-1/2	3	177	1-1/2	3

① Pour sélectionner le code d'alimentation correct, reportez-vous aux tableaux de la page 20.

DONNÉES DE PERFORMANCE GÉNÉRALES

Tableau 19.1 - Performance (PDP) – à hélice (PDP) ①②③

Numéro de modèle	PDP 150		PDP 175		PDP 200		PDP 250		PDP 300		PDP 350		PDP 400				
	BTU/h Entrée 150,000 ①	BTU/h Sortie 120,000 ①	150,000	124,500	145,250	166,000	207,500	249,000	290,500	350,000	400,000	332,000	400,000	400,000			
	51	51	51	52	50	50	50	53	54	19	16	17	15	67	74	70	69
	Augmentation temp. air (°F) ②	Augmentation temp. air (°F) ②	Augmentation temp. air (°F) ②	Augmentation temp. air (°F) ②	Augmentation temp. air (°F) ②	Augmentation temp. air (°F) ②	Augmentation temp. air (°F) ②	Augmentation temp. air (°F) ②	Augmentation temp. air (°F) ②	Augmentation temp. air (°F) ②	Augmentation temp. air (°F) ②	Augmentation temp. air (°F) ②	Augmentation temp. air (°F) ②	Augmentation temp. air (°F) ②	Augmentation temp. air (°F) ②	Augmentation temp. air (°F) ②	Augmentation temp. air (°F) ②
	-	-	-	-	-	-	-	-	-	-	-	-	-	-	-	-	-
	Plage CFM	Plage CFM	Plage CFM	Plage CFM	Plage CFM	Plage CFM	Plage CFM	Plage CFM	Plage CFM	Plage CFM	Plage CFM	Plage CFM	Plage CFM	Plage CFM	Plage CFM	Plage CFM	Plage CFM
	2180	2180	2550	2870	3700	4460	4870	5440	5440	5440	5440	5440	5440	5440	5440	5440	5440
	Débit d'air – entrée (CFM)	Débit d'air – entrée (CFM)	Débit d'air – entrée (CFM)	Débit d'air – entrée (CFM)	Débit d'air – entrée (CFM)	Débit d'air – entrée (CFM)	Débit d'air – entrée (CFM)	Débit d'air – entrée (CFM)	Débit d'air – entrée (CFM)	Débit d'air – entrée (CFM)	Débit d'air – entrée (CFM)	Débit d'air – entrée (CFM)	Débit d'air – entrée (CFM)	Débit d'air – entrée (CFM)	Débit d'air – entrée (CFM)	Débit d'air – entrée (CFM)	Débit d'air – entrée (CFM)
	55	55	59	51	67	74	70	69	69	69	69	69	69	69	69	69	69
	Portée de chauffage (pi) ③	Portée de chauffage (pi) ③	Portée de chauffage (pi) ③	Portée de chauffage (pi) ③	Portée de chauffage (pi) ③	Portée de chauffage (pi) ③	Portée de chauffage (pi) ③	Portée de chauffage (pi) ③	Portée de chauffage (pi) ③	Portée de chauffage (pi) ③	Portée de chauffage (pi) ③	Portée de chauffage (pi) ③	Portée de chauffage (pi) ③	Portée de chauffage (pi) ③	Portée de chauffage (pi) ③	Portée de chauffage (pi) ③	Portée de chauffage (pi) ③
	Type de moteur	Type de moteur	Type de moteur	Type de moteur	Type de moteur	Type de moteur	Type de moteur	Type de moteur	Type de moteur	Type de moteur	Type de moteur	Type de moteur	Type de moteur	Type de moteur	Type de moteur	Type de moteur	Type de moteur
	115/60/1 (PC01)	115/60/1 (PC01)	115/60/1 (PC01)	115/60/1 (PC01)	115/60/1 (PC01)	115/60/1 (PC01)	115/60/1 (PC01)	115/60/1 (PC01)	115/60/1 (PC01)	115/60/1 (PC01)	115/60/1 (PC01)	115/60/1 (PC01)	115/60/1 (PC01)	115/60/1 (PC01)	115/60/1 (PC01)	115/60/1 (PC01)	115/60/1 (PC01)
	230/60/1 (PC02)	230/60/1 (PC02)	230/60/1 (PC02)	230/60/1 (PC02)	230/60/1 (PC02)	230/60/1 (PC02)	230/60/1 (PC02)	230/60/1 (PC02)	230/60/1 (PC02)	230/60/1 (PC02)	230/60/1 (PC02)	230/60/1 (PC02)	230/60/1 (PC02)	230/60/1 (PC02)	230/60/1 (PC02)	230/60/1 (PC02)	230/60/1 (PC02)
	208/60/1 (PC03)	208/60/1 (PC03)	208/60/1 (PC03)	208/60/1 (PC03)	208/60/1 (PC03)	208/60/1 (PC03)	208/60/1 (PC03)	208/60/1 (PC03)	208/60/1 (PC03)	208/60/1 (PC03)	208/60/1 (PC03)	208/60/1 (PC03)	208/60/1 (PC03)	208/60/1 (PC03)	208/60/1 (PC03)	208/60/1 (PC03)	208/60/1 (PC03)
	HP	HP	HP	HP	HP	HP	HP	HP	HP	HP	HP	HP	HP	HP	HP	HP	HP
	1/8	1/8	1/6	1/6	1/3	1/2	3/4	3/4	3/4	3/4	3/4	3/4	3/4	3/4	3/4	3/4	3/4
	Sans objet	Sans objet	Sans objet	Sans objet	Sans objet	Sans objet	Sans objet	Sans objet	Sans objet	Sans objet	Sans objet	Sans objet	Sans objet	Sans objet	Sans objet	Sans objet	Sans objet

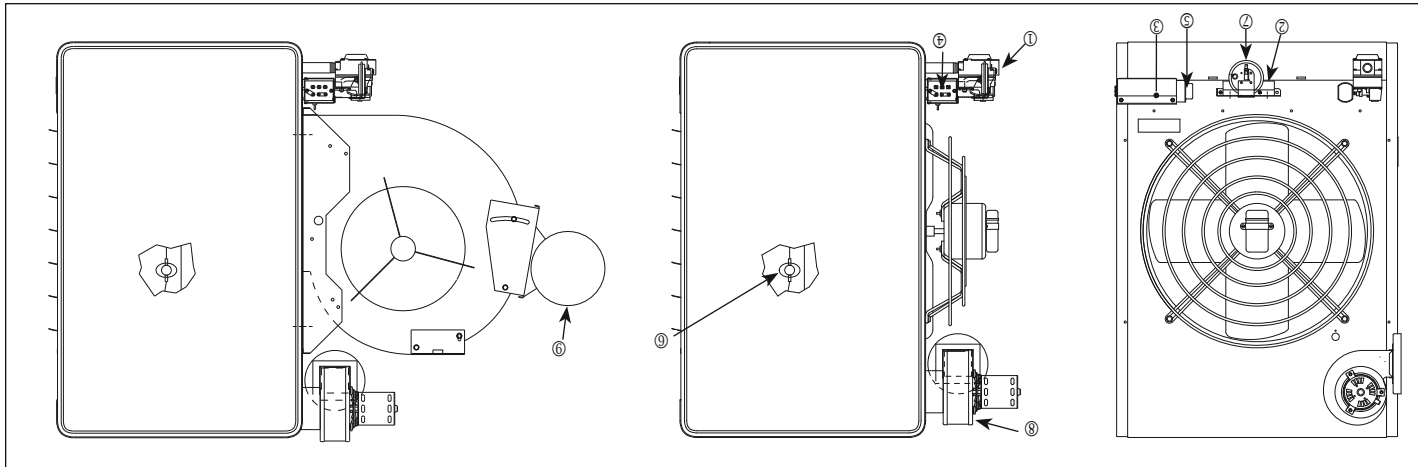
① Les valeurs nominales indiquées correspondent à une altitude de 609 m maximum. Au-delà, elles doivent être réduites de 4 % tous les 300 m au-dessus du niveau de la mer. (Au Canada, consultez la plaque signalétique.) La réduction des valeurs nominales exige l'utilisation d'un ensemble pour haute altitude.
 ② Données relevées à une hausse de température de l'air de 12 °C. À une température ambiante de 18 °C, avec l'appareil à entrée nominale maximum. Hauteur de montage mesurée du bas de l'appareil et sans hottes de déflection.
 ③ Tous les moteurs utilisés sont produits, mesurés et testés par des fabricants renommés, conformément aux normes NEMA et ils sont assortis de la garantie standard du fabricant du moteur et de Modine. Les moteurs du modèle BDP sont des moteurs monophasés totalement enfermés avec protection anti-surchauffe intégrée.

soufflante (BDP)

Numéro de modèle	BTU/h Entrée	BTU/h Sortie	Faible	Milieu	Haute	Faible	Milieu	Haute	Faible	Milieu	Haute	Faible	Milieu	Haute	Faible	Milieu	Haute
BDP150	150,000	123,000	CFM	CFM	CFM	CFM	CFM	CFM	CFM	CFM	CFM	CFM	CFM	CFM	CFM	CFM	CFM
BDP175	175,000	143,500	CFM	CFM	CFM	CFM	CFM	CFM	CFM	CFM	CFM	CFM	CFM	CFM	CFM	CFM	CFM
BDP200	200,000	164,000	CFM	CFM	CFM	CFM	CFM	CFM	CFM	CFM	CFM	CFM	CFM	CFM	CFM	CFM	CFM
BDP250	250,000	205,000	CFM	CFM	CFM	CFM	CFM	CFM	CFM	CFM	CFM	CFM	CFM	CFM	CFM	CFM	CFM
BDP300	300,000	246,000	CFM	CFM	CFM	CFM	CFM	CFM	CFM	CFM	CFM	CFM	CFM	CFM	CFM	CFM	CFM
BDP350	350,000	287,000	CFM	CFM	CFM	CFM	CFM	CFM	CFM	CFM	CFM	CFM	CFM	CFM	CFM	CFM	CFM
BDP400	400,000	328,000	CFM	CFM	CFM	CFM	CFM	CFM	CFM	CFM	CFM	CFM	CFM	CFM	CFM	CFM	CFM
			Faible	Milieu	Haute	Faible	Milieu	Haute	Faible	Milieu	Haute	Faible	Milieu	Haute	Faible	Milieu	Haute
			1587	2020	2778	1852	2357	3241	2116	2694	3704	2646	3367	4630	3175	4040	5556
			10	14	23	10	15	24	9	12	22	12	17	27	13	18	30
			10	14	23	10	15	24	9	12	22	12	17	27	13	18	30
			70	55	40	70	55	40	70	55	40	70	55	40	70	55	40
			34	49	80	37	52	85	48	68	115	57	87	145	64	97	160
			45	71	120	49	76	128	43	68	115	57	87	145	64	97	160
			Portée de chauffage (pi) @ Haut. mont. max	Portée de chauffage (pi) @ Haut. mont. max	Portée de chauffage (pi) @ Haut. mont. max	Portée de chauffage (pi) @ Haut. mont. max	Portée de chauffage (pi) @ Haut. mont. max	Portée de chauffage (pi) @ Haut. mont. max	Portée de chauffage (pi) @ Haut. mont. max	Portée de chauffage (pi) @ Haut. mont. max	Portée de chauffage (pi) @ Haut. mont. max	Portée de chauffage (pi) @ Haut. mont. max	Portée de chauffage (pi) @ Haut. mont. max	Portée de chauffage (pi) @ Haut. mont. max	Portée de chauffage (pi) @ Haut. mont. max	Portée de chauffage (pi) @ Haut. mont. max	Portée de chauffage (pi) @ Haut. mont. max
			45	71	120	49	76	128	43	68	115	57	87	145	64	97	160
			Portée de chauffage (pi)	Portée de chauffage (pi)	Portée de chauffage (pi)	Portée de chauffage (pi)	Portée de chauffage (pi)	Portée de chauffage (pi)	Portée de chauffage (pi)	Portée de chauffage (pi)	Portée de chauffage (pi)	Portée de chauffage (pi)	Portée de chauffage (pi)	Portée de chauffage (pi)	Portée de chauffage (pi)	Portée de chauffage (pi)	Portée de chauffage (pi)

*Voir les pages 20 et 21 pour les informations sur les moteurs

Figure 18.1 - Emplacement des options montées en usine



Tous les appareils incluent les fonctions de série (STD). L'appareil doit être examiné pour déterminer les options (OPT) qui ont pu être fournies avec l'appareil.

(1) Robinet de gaz

a) Robinet de gaz à un étage – (STD)

Le robinet de gaz assure l'arrêt de la veilleuse, du régulateur, de la conduite principale de gaz et l'arrêt manuel. Pour plus d'informations, consultez la documentation du fabricant fournie avec l'appareil.

b) Robinet de gaz à deux étages – (OPT)

Le robinet de gaz à deux étages assure l'arrêt de la veilleuse, du régulateur, de la conduite principale de gaz (feu à 100 % et à 50 %) et l'arrêt manuel. Pour plus d'informations, consultez la documentation fournie avec l'appareil.

(2) Contrôle d'allumage – (STD)

Le contrôleur d'allumage est installé en usine à l'arrière de l'appareil de chauffage, l'allumeur et le capteur étant situés sur le brûleur. Pour plus d'informations, voir « Séquence de fonctionnement des commandes », page 16, et la documentation du fabricant fournie avec l'appareil.

(3) Relais de temporisation – (STD)

Le relais temporisé est installé en usine dans une boîte de dérivation électrique et commande le fonctionnement du moteur de l'hélice/la soufflante. Pour les appareils monophasés de moins de 2 HP, le relais de temporisation commande directement le moteur. Pour les appareils monophasés de 2 HP et plus et tous les modèles triphasés, le relais de temporisation commande le démarrage du moteur. Pour plus d'informations, voir « Séquence de fonctionnement des commandes », page 17.

(4) Bornier basse tension – (STD)

Le bornier basse tension se situe dans la boîte de dérivation électrique. Le bornier est étiqueté pour correspondre au diagramme des câbles électriques fourni avec l'appareil. Tous les branchements de câble basse tension sur site doivent être établis côté exposé du bornier (extérieur de la boîte de dérivation électrique) pour éviter les erreurs de câblage en modifiant les câblages usine à l'intérieur de la boîte de dérivation électrique.

(5) Transformateur abaisseur de commande – (STD)

Le transformateur abaisseur de commande est localisé dans la boîte de distribution électrique. Le transformateur permet d'abaisser la tension d'alimentation (115 V, 208 V, 230 V, 460 V, 575 V) à 24 V. Ce transformateur permet de commander les commandes de gaz, le relais de temporisation du ventilateur, le démarreur de moteur fourni sur site, etc. Tous les appareils de chauffage sont fournis avec un transformateur abaisseur de 40 VA. Pour déterminer le transformateur fourni de même que tout accessoire/transformateur fourni sur site requis, reportez-vous à la tension d'alimentation indiquée sur la plaque signalétique et aux tableaux 19.2 et 19.3.

(6) Thermostat – (STD)

Le thermostat de commande est installé sur le côté gauche (air soufflant vers vous) de l'appareil de chauffage. Si la température limite est dépassée, les commandes de gaz sont désactivées jusqu'à refroidissement du thermostat.

(7) Pressostat (STD)

Un manoccontact de ventilation à réarmement automatique est conçu pour empêcher le fonctionnement du brûleur principal si l'évacuation des produits de combustion est restreinte. Cette restriction pourrait survenir à cause d'un diamètre de ventilation inadéquat, une canalisation de ventilation trop longue, un terminal de ventilation non approuvé, des vents violents, une pression négative élevée à un endroit en particulier, etc. Une fois la restriction éliminée, le manoccontact se réarmera automatiquement. Pour plus d'informations, voir la section Dépannage.

(8) Extracteur (STD)

Tous les appareils de chauffage à ventilation électrique sont fournis avec un raccord de tuyau d'évacuation rond. Certains modèles pourront exiger l'utilisation d'une transition d'évacuation entre la sortie de l'extracteur et le tuyau d'évacuation (Tableau 6.1). L'extracteur peut être tourné de 180° pour multiplier les options de direction d'évacuation des gaz.

(9) Moteur de soufflante – (STD sur les modèles BDP seulement)

Le moteur de la soufflante peut être fourni dans toute une variété de tensions d'alimentation et de puissances moteur. Pour déterminer le moteur fourni, consultez la nomenclature. Le moteur de la soufflante est fourni avec une roue à gorge réglable utilisable pour augmenter/diminuer le régime de la soufflante. Pour les instructions de modification du régime de la soufflante, reportez-vous à « Réglage de la soufflante ».

Tableau 18.1 - Description des commandes – Modèles PDP et BDP

Description du système de commande	Code contrôleur		Tension de service	Thermostat
	Gaz naturel	Propane		
Un étage ①	30	85	115 V	25 V
	31	86	208/230 V	25 V
	32	93	460 V	25 V
	33	94	575 V	25 V
Deux étages ①	63	87	115 V	25 V
	64	88	208/230 V	25 V

① Toutes les commandes sont à allumage de veilleuse intermittent, arrêt à 100 % avec nouvelles tentatives de rallumage continues. □ Câblage usine 460/575 disponible sur les modèles à soufflante. Un transformateur abaisseur installé sur site peut être utilisé pour les applications à hélice 460/575.

PROCÉDURE DE MISE EN ROUTE

Séquence d'utilisation des commandes

Tous les appareils sont fournis avec un système de veilleuse intermittente avec commande de nouvelle tentative d'allumage continue de série. Pour les systèmes à veilleuse intermittente, le brûleur principal et la veilleuse s'éteignent tous deux complètement lorsque la température de consigne du thermostat est atteinte. Pour tous les appareils, le système essaie d'allumer la veilleuse pendant 70 secondes. Si la veilleuse n'est pas détectée, la commande d'allumage attend six minutes environ avec la commande de gaz mixte fermée et pas d'étincelle. Au bout de 6 minutes, le cycle recommence. Après 3 cycles, certains contrôleurs d'allumage se verrouillent pendant 1 heure environ avant le début d'un autre cycle. Ceci continue indéfiniment jusqu'à ce que la flamme de la veilleuse soit détectée ou que l'alimentation du système soit coupée. Pour une description des codes de commande, reportez-vous au tableau 18.1. Des codes figurent ci-dessous.

1. Le thermostat émet un appel thermique.
2. Le relais de l'extracteur est activé et démarre le moteur d'extraction. Une fois le moteur à plein régime, le pressostat de pression différentielle se ferme.
3. Le robinet de la veilleuse s'ouvre et l'allumeur émet une étincelle pendant 70 secondes en essayant d'allumer la veilleuse.
4. Une fois la veilleuse allumée, le détecteur de flamme vérifie la veilleuse et arrête l'allumeur.
5. Sur les modèles à un étage, le robinet de gaz principal s'ouvre et le brûleur principal s'allume à fond. Sur les modèles à deux étages, le robinet de gaz peut s'ouvrir à 50 ou 100 %, selon la température de consigne demandée par le thermostat des deux étages.
6. L'appareil de ventilation démarre 30 à 90 secondes après pour permettre le préchauffage de l'échangeur de chaleur.
7. L'appareil continue à fonctionner jusqu'à ce que le thermostat soit satisfait, après quoi le robinet principal et le robinet du brûleur se ferment complètement.
8. L'appareil de ventilation s'arrête 30 à 90 secondes après pour enlever la chaleur résiduelle de l'échangeur de chaleur.

Réglage du brûleur principal

Le régulateur de pression du gaz (à l'intérieur du régulateur combiné) a été réglé en usine pour des caractéristiques moyennes de gaz. Il est essentiel

que l'alimentation du brûleur soit conforme aux conditions indiquées sur la plaque signalétique. Ces conditions doivent être vérifiées, et les réglages nécessaires effectués après l'installation de l'appareil. Une puissance calorifique excessive se traduira par une surchauffe permanente réduisant la durée de vie de l'appareil et entraînant des besoins d'entretien accrus.

La pression du collecteur de gaz doit être mesurée au raccord installé à côté du robinet d'arrêt (Figure 16.1).

Pour régler la pression au collecteur de gaz

1. Tournez le robinet d'arrêt manuel installé sur site sur Arrêt.
2. Retirez le bouchon de tuyau de 1/8 po du raccord en T ou du robinet de gaz et attachez un manomètre d'eau du type tube en U qui mesure au moins 12 po de hauteur.
3. Tournez le robinet d'arrêt de gaz manuel installé sur site sur position Marche.
4. Créez un appel thermique pour feu élevé à partir du thermostat.
5. Déterminez la pression correcte du collecteur à feu fort (3,5 po de C.E. pour le gaz naturel, 10 po de C.E. pour le propane). (Les pressions entre 0 et 2000 pieds d'altitude sont de 3,5 po C.E. pour le gaz naturel, 10 po C.E. pour le propane; à plus de 2000 pi, reportez-vous aux instructions de raccordement au gaz – Ensemble d'accessoires pour haute altitude à la page 11). Réglez le ressort du régulateur principal pour qu'il délivre le gaz à la pression correcte (pour savoir comment régler, consultez le manuel du régulateur fourni avec l'appareil).
6. Après ce réglage, fermez le robinet d'arrêt manuel et revissez le bouchon du raccord de 1/8 po.
7. Ensuite, rouvrez le robinet d'arrêt manuel installé sur site et assurez-vous à nouveau que les bouchons du tuyau ne fûtent pas avec de l'eau savonneuse.

Réglage de la flamme du brûleur

Un fonctionnement correct de l'appareil produit une flamme bleu douce avec un cône bien défini au centre. Un manque d'air primaire se traduit par des flammes à bout jaune. Un excès d'air primaire produit des flammes

courtes bien définies ayant tendance à se soulever des orifices du brûleur. Pour le gaz naturel et le propane, la flamme peut être ajustée en glissant le collecteur. Par ailleurs, pour le propane, les volets d'air réglables permettent de contrôler la hauteur de flamme du brûleur. Les volets d'air sont accessibles en abaissant le bac inférieur de l'appareil de chauffage.

Commande de réglage de la flamme de gaz naturel

La régulation des flammes du brûleur sur les appareils de chauffage utilisant le gaz naturel s'effectue en réajustant la position du collecteur pour augmenter ou diminuer l'air de combustion primaire. Avant de régler la flamme, laissez l'appareil de chauffage fonctionner pendant environ 15 minutes. Pour voir la flamme du brûleur principal, desserrez et poussez le disque d'observation des flammes situé à l'arrière de l'appareil.

Pour augmenter l'air primaire, desserrez les vis de montage du collecteur et éloignez le collecteur du brûleur jusqu'à ce que les flammes à pointe jaune disparaissent (Figure 16.2). Pour diminuer l'air primaire, rapprochez le collecteur du brûleur jusqu'à ce que les flammes ne se soulèvent plus des orifices du brûleur, mais en veillant à ne pas causer de pointes jaunes. Resserrez les vis de montage du collecteur une fois le réglage terminé.

Réglage de la flamme de propane

Une flamme optimum a une pointe légèrement jaune. Avant de régler la flamme, faites fonctionner l'appareil de chauffage une quinzaine de minutes. Desserrez les vis de calage des volets d'air et éloignez les volets d'air du collecteur pour réduire l'air primaire jusqu'à ce que les pointes jaunes des flammes apparaissent (Figure 16.3). Ensuite, augmentez l'air primaire jusqu'à ce que les pointes jaunes diminuent et qu'une flamme bleue nette contenant un cône bien défini apparaisse.

Figure 16.1 - Commande de gaz mixte typique

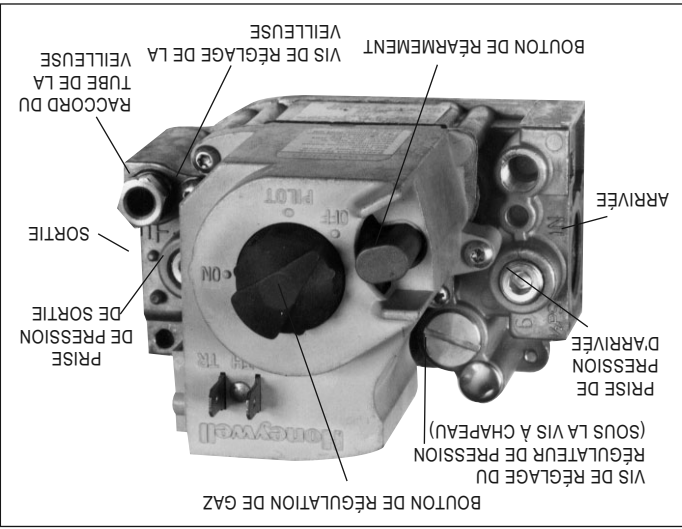


Figure 16.2 - Réglage du collecteur, gaz naturel

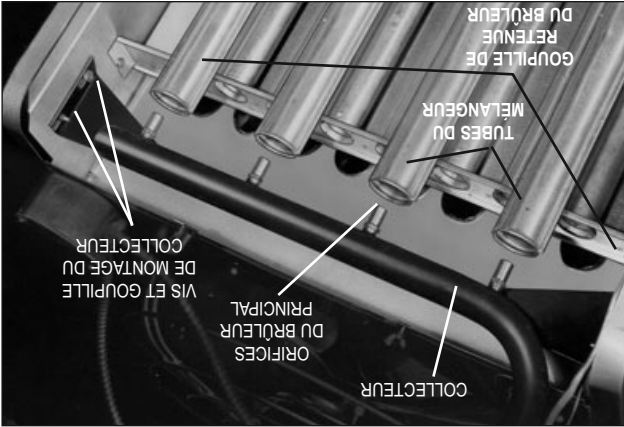
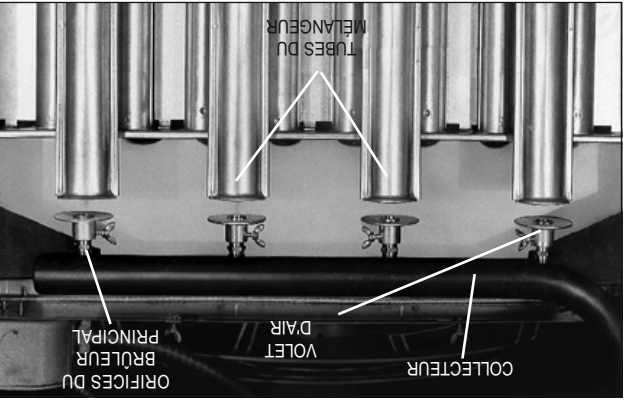


Figure 16.3 - Réglage du volet d'air, propane



Pour obtenir une flamme correcte, outre le réglage des volets d'air, vous devrez peut-être ajuster la position du collecteur. Pour régler le collecteur, suivez les instructions « Commande de réglage de la flamme de gaz naturel ».

IMPORTANT

1. Pour éviter une défaillance prématurée de l'échangeur de chaleur, observez les tubes de l'échangeur. Si le bas des tubes devient rouge avec la soufflante et les brûleurs en marche, vérifiez que la vitesse de la soufflante est correcte pour l'application. Pour le réglage de la soufflante, reportez-vous à la page 14.
2. Les procédures de démarrage et de réglage doivent être confiées à un centre de SAV qualifié.

1. Mettez l'appareil hors tension au niveau du sectionneur. Vérifiez que les disjoncteurs ou les fusibles sont en place et d'un calibre approprié.
2. Fermez tous les robinets d'arrêt de gaz.
3. Enlevez le couvercle de la boîte de dérivation électrique.
4. Vérifiez que la tension du secteur correspond à la tension nominale de l'appareil inscrite sur la plaque signalétique. Assurez-vous que tous les câblages sont bien fixés et convenablement protégés. Suivez chaque circuit pour vous assurer qu'il est conforme au schéma de câblage.
5. Si l'appareil est installé à plus de 2000 pieds et que l'ensemble pour haute altitude inclut un interrupteur de contrôle d'air de combustion, remplacez l'interrupteur de l'appareil par celui fourni dans l'ensemble. Assurez-vous que le tube et les branchements électriques sont solidement fixés.
6. Vérifiez que le système d'évacuation des gaz est correctement installé et n'est pas obstrué.
7. Vérifiez qu'il n'y a pas d'obstacles devant la prise d'air et la sortie d'air chaud.
8. Pour les modèles à soufflante, vérifiez la tension de la courroie et l'alignement de la roue à gorge. Pour la tension correcte de la courroie, reportez-vous à « Réglage de la soufflante ».
9. Vérifiez que tous les filtres sont en place et correctement installés en respectant la direction de l'air (s'il y a lieu).
10. Effectuez une inspection visuelle de l'appareil et assurez-vous qu'il n'a pas été endommagé au cours de l'installation. Abaissez le bac inférieur et inspectez tous les composants dans le compartiment du brûleur. Assurez-vous que toutes les attaches sont en place et que les orifices du brûleur sont correctement alignés sur les tubes de l'échangeur de chaleur et que les orifices à gaz sont centrés sur l'ouverture du tube inspirateur du brûleur, comme indiqué à la figure 16.2.
11. Assurez-vous que les lames des persiennes sont ouvertes d'au moins 30° mesurées par rapport à la verticale.
12. Mettez l'appareil sous tension au niveau du sectionneur. Assurez-vous que la tension entre les bornes de la boîte de dérivation électrique T1 et G est de 24 V.
13. Vérifiez le thermostat, l'allumeur, le robinet de gaz, puis mettez la soufflante sous tension. Si le fonctionnement n'est pas normal, réverifiez avec le schéma de câblage. Assurez-vous qu'aucune option de régulation n'a disjoncté.
14. Vérifiez que le moteur de la soufflante tourne dans le bon sens en comparant avec la flèche marquée sur le corps (s'il y a lieu). Vérifiez bien le sens de rotation, pas seulement le mouvement de l'air car, même à l'envers, l'hélice déplace de l'air.
15. Pour les appareils à circulation forcée, vérifiez la vitesse de la soufflante (tr/min). Voir les instructions de réglage de la soufflante pour toute modification.
16. Vérifiez le régime moteur (tr/min).
17. Vérifiez la tension du moteur. Sur les systèmes triphasés, assurez-vous que toutes les colonnes sont équilibrées.
18. Vérifiez le courant d'appel du moteur et comparez-le à l'intensité nominale de la plaque signalétique. Sur les systèmes triphasés, vérifiez toutes les colonnes afin de vous assurer que le système est équilibré.
19. Réverifiez la pression d'arrivée de gaz au niveau du robinet d'arrêt pour le propane. La pression maximum d'arrivée pour l'un ou l'autre, 1,5 kPa (6 po pd'eau) pour le gaz naturel ou de 2,75 kPa (11 po pd'eau) manuel installé sur site. La pression d'entrée de l'appareil doit être de 14 po C.E. Si la pression d'arrivée dépasse cette valeur, il faudra ajouter un détendeur en amont du robinet de gaz mixte.

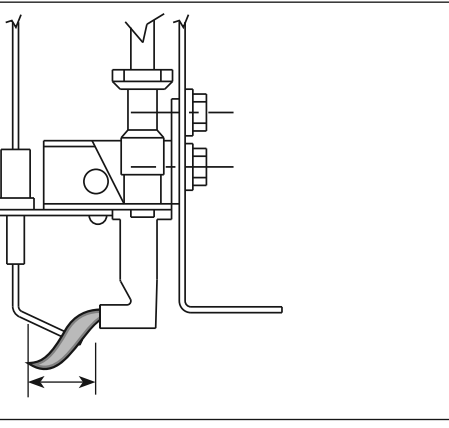


Figure 15.1 - Flamme de veilleuse correcte

1. Créez un appel thermique à partir du thermostat.
2. Retirez le capuchon de la vis de réglage de la veilleuse. Pour l'emplacement, voir la documentation de commande de gaz mixte fournie avec l'appareil.
3. Réglez la longueur de la veilleuse en tournant la vis dans un sens ou dans l'autre pour obtenir une flamme constante de 3/4 à 1 po de longueur et empilant sur l'extrémité du thermocouple ou de la tige de détection de la flamme de 3/8 à 1/2 po (voir figure 15.1).
4. Remettez le capuchon sur la vis de réglage de la veilleuse.

Pour régler la flamme de la veilleuse

Le brûleur de la veilleuse a été conçu pour brûler correctement à une pression d'admission de 15 à 18 cm C.E. (gaz naturel) et 28 à 35,5 cm C.E. (propane), mais le réglage final doit avoir lieu après l'installation. Si la flamme de la veilleuse est plus courte que sur l'illustration, elle cause de la suie et/ou touche l'échangeur thermique, causant sa panne. Si la flamme de la veilleuse est plus courte que sur l'illustration, elle risque de causer un mauvais allumage et d'engendrer la non-ouverture de la commande de gaz mixte. Une flamme courte peut être causée par un orifice de veilleuse sale. L'état de la flamme de la veilleuse devra être périodiquement observé pour garantir un fonctionnement sans problème.

Réglage du brûleur de la veilleuse

19. Ouvrez le robinet d'arrêt de gaz manuel installé sur site.
20. Ouvrez le robinet de gaz réseau manuel sur le robinet de gaz mixte. Réglez le thermostat pour créer une demande de chauffage et attendez l'allumage de la veilleuse (allumage intermittent). Si la veilleuse ne s'allume pas, purgez sa conduite. Si une purge d'air est requise, déconnectez la conduite de la veilleuse à la sortie du robinet de la veilleuse. La conduite ne doit en aucun cas être purgée dans l'échangeur thermique. Contrôlez la longueur de la flamme de la veilleuse (voir « Réglage de la flamme de la veilleuse »).
21. Une fois la veilleuse allumée, assurez-vous que le robinet de gaz réseau s'ouvre. Contrôlez la pression de gaz au collecteur (voir « Réglage principal du gaz ») et la longueur de la flamme (voir « Réglage du volet d'air ») pendant que la soufflante fonctionne. Inspectez l'état de la flamme principale et, si nécessaire, résolvez les problèmes d'apparence de la flamme (voir « Réglage de la flamme du brûleur » et les figures 28.1 à 28.4).
22. Vérifiez que la séquence de fonctionnement des commandes de gaz est correcte (voir « Séquence de fonctionnement des commandes »).
23. Vérifiez si l'appareil a des dispositifs de commande supplémentaires et réglez-les en suivant les instructions de régulation du gaz.
24. Quand vous vous êtes assurés que l'appareil fonctionne normalement, retirez tous les fils volants utilisés pour les essais.
25. Remettez le couvercle de la boîte de dérivation électrique.
26. Si l'appareil est installé à plus de 2000 pieds, collez l'étiquette incluse dans l'ensemble pour haute altitude et remplissez tous les champs au feutre indélébile.

d'entraînement, reportez-vous à la section « Régilage de la soufflante »

Si un aérateur doit être utilisé avec des gaines ou des buses, etc., la pression statique externe totale à laquelle l'appareil doit fonctionner et le débit d'air requis doivent être connus avant que l'appareil puisse être correctement réglé. Tout appareil ajouté à l'extérieur de l'appareil et par lequel l'air doit passer cause une résistance au débit d'air appelé « perte de pression ».

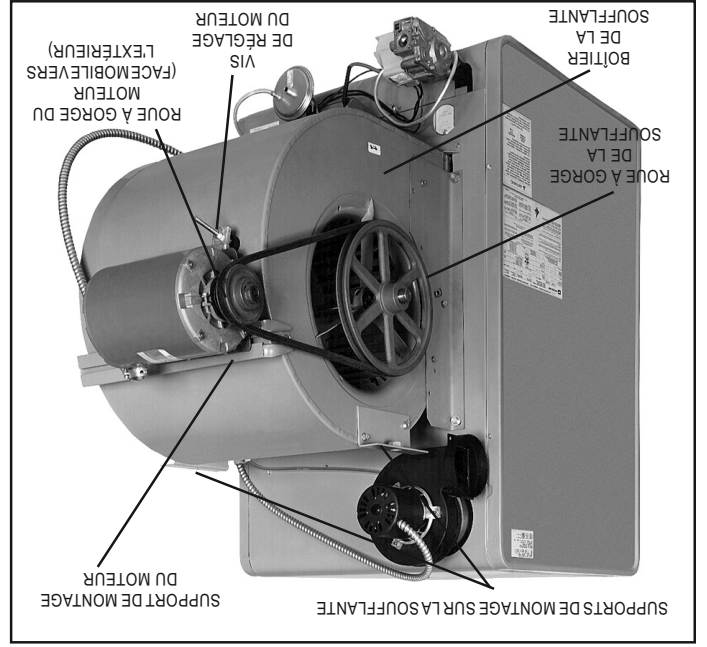
Si des filtres Modine sont utilisés, la perte de pression à travers les filtres est fournie parmi les données de performance, à la page 20. Si des buses de refoulement fournies par Modine sont utilisées, la chute de pression causée par les buses se trouve indiquée en bas de la page 23. Si des filtres, des buses ou des gaines doivent être utilisées avec l'appareil et qu'elles ne sont pas fournies par Modine, l'ingénieur-concepteur ou le sous-traitant chargé de l'installation devra déterminer la perte de pression pour que les appareils externes ajoutés ou les gaines arrivent à la pression statique externe totale à laquelle l'appareil doit fonctionner.

Une fois la pression statique totale et le débit d'air requis connus, le régime d'exploitation de la soufflante pourra être déterminé et les réglages de la roue à gorge du moteur correctement effectués. Par exemple, un modèle BDP350 doit être utilisé avec une soufflante et des filtres fournis par Modine attachés à des gaines fournies par un tiers. L'appareil doit déplacer 6 481 p3/m d'air face à une pression statique externe de 0,2 po de C.E., qui doit être ajoutée à la chute de pression causée par le filtre, pour une chute de pression totale de 0,4 po de C.E. Le tableau des performances à la page 20 pour un BDP350, à 6481 p3/m et une pression statique de 0,4 po de C.E. indique que l'appareil exige un moteur de 5 HP avec un entraînement -207 et que la roue à gorge du moteur doit être réglée à 0,5 tour d'ouverture pour que le régime de la soufflante atteigne 1050 tr/min.

Procédure d'installation

1. Retirez et jetez la sangle d'attache du moteur, ainsi que la cale d'expédition située sous la vis de réglage de la courroie (pas sur tous les modèles).
2. Pour les moteurs de 3 et 5 HP, montez la roue à gorge sur l'arbre du moteur, puis installez le moteur sur le support de montage. Installez la courroie sur la soufflante et les roues à gorge du moteur.
3. Ajustez la vis de réglage du moteur pour obtenir une déviation de mi-distance entre les roues à gorge (Figure 14.3). Comme la tension de la courroie diminue sensiblement après une période de rodage initiale, il est nécessaire de revérifier périodiquement la tension.

Figure 14.1 - Modèle à soufflante



Régilage de la soufflante

Après les branchements électriques, vérifiez la rotation de la soufflante pour garantir le chauffage soufflé. Au besoin, intervertissez les fils pour inverser la rotation de la soufflante. Démarrez le moteur du ventilateur et vérifiez le régime de la roue à gorge de la soufflante à l'aide d'un tachymètre manuel ou stroboscopique. Le régime doit correspondre aux régimes indiqués sous Données de performance, à la page 20. Un moteur à une vitesse à roue à gorge réglable est fourni avec ces appareils. Si une modification du régime du ventilateur de la soufflante est requis, ajustez comme suit la roue à gorge du moteur :

REMARQUE : N'allumez pas l'appareil tant que la soufflante n'est pas réglée; cela pourrait causer une surchauffe.

1. Coupez l'alimentation avant d'effectuer les réglages de régime de la soufflante. Pour déterminer le régime de la soufflante adéquat, reportez-vous à « Détermination du régime de la soufflante », page 13 et aux données de performance de la page 20.
2. Desserrez la courroie et enlevez la roue à gorge du moteur.
3. Desserrez la vis de calage sur l'extérieur de la roue à gorge du moteur (Figure 14.2).
4. Pour réduire le régime de la soufflante, tournez l'extérieur de la roue à gorge du moteur dans le sens inverse des aiguilles d'une montre.
5. Pour l'augmenter, tournez dans le sens des aiguilles d'une montre.
6. Resserrez la vis de calage de la roue à gorge du moteur, remettez la courroie, puis resserrerz l'assise du moteur. Ajustez la vis de réglage du moteur de sorte à obtenir une déviation de courroie de 3/4 po avec application de 5 livres de force à mi-distance entre les roues à gorge de la soufflante et du moteur (Figure 14.3). Comme la tension de la courroie diminue sensiblement après une période de rodage initiale, il est nécessaire de revérifier périodiquement la tension pour garantir le réglage correct de la courroie.
7. Assurez-vous que les roues à gorge sont alignées. Réalignez-les au besoin.
8. Revérifiez le régime de la soufflante après réglage.
9. Vérifiez l'intensité du moteur. Ne dépassez pas l'intensité indiquée sur la plaque signalétique du moteur. Ralentissez la soufflante au besoin.
10. Vérifiez l'augmentation de la température de l'air à travers l'appareil. Comparez-la aux valeurs du tableau des performances, page 20, pour garantir la circulation d'air réelle souhaitée.
11. Si des réglages s'imposent, revérifiez l'intensité du moteur après le réglage final du régime de la soufflante.

Figure 14.2 - Régilage de la roue à gorge du moteur

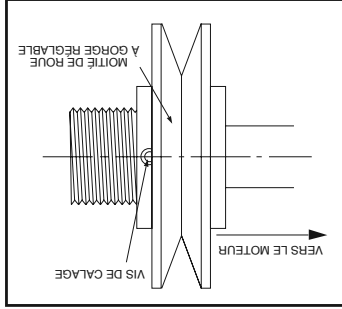
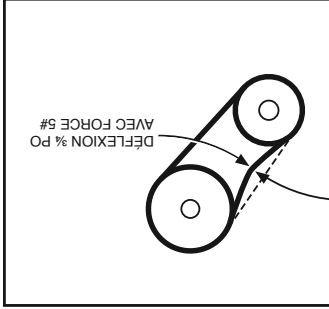


Figure 14.3 - Régilage de la tension de la courroie



⚠ AVERTISSEMENT

1. Débranchez l'alimentation avant d'effectuer des branchements pour éviter tout risque d'électrocution et d'endommagement de l'appareil.
2. Tous les branchements et câblages doivent être faits en stricte conformité avec le schéma fourni avec l'appareil. Tout câblage différent de celui du schéma peut créer des risques de dommages matériels ou de blessures.
3. Tout câblage usiné d'origine exigeant un remplacement doit être remplacé par un câble d'indice thermique nominal de 105 °C.
4. Assurez-vous que la tension d'alimentation n'est pas supérieure de plus de 5 % à la tension nominale inscrite sur la plaque de l'appareil.

⚠ ATTENTION

Vérifiez que la tension d'alimentation n'est pas inférieure de plus de 5 % à la tension nominale inscrite sur la plaque de l'appareil.

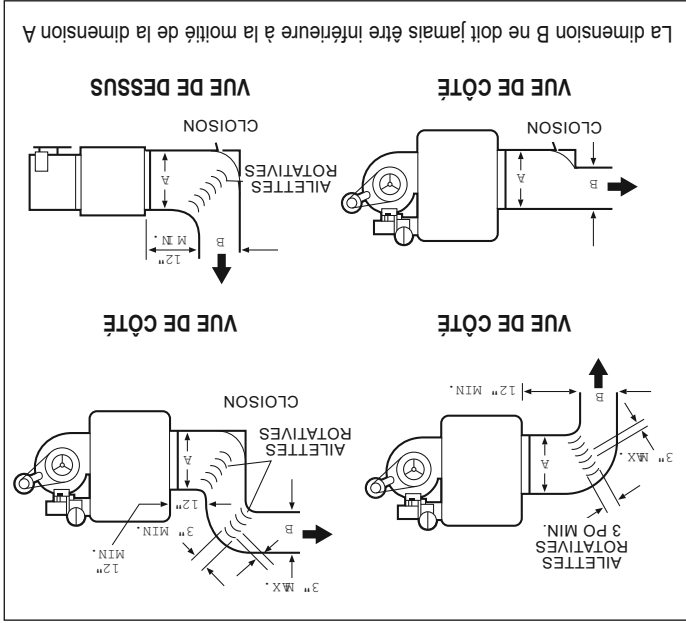
1. L'installation doit se faire conformément aux codes locaux de la construction ou, à défaut de tels codes, conformément au National Electric Code ANSI/NFPA 70 – dernière édition. Conformément à ce code, l'appareil doit être mis à la terre. Au Canada, le câblage doit être conforme à CSA C22.1, Partie 1, Code électrique.
 2. Deux exemplaires du diagramme de câblage de l'appareil sont fournis avec chaque appareil. Un exemplaire se trouve dans la poche de dérivation électrique, et l'autre se trouve dans la poche de documentation. Reportez-vous à ce diagramme pour tous les branchements de câbles.
 3. Assurez-vous que tous les composants multi-tension (moteurs, transformateurs, etc.) sont câblés conformément à la tension secteur.
 4. L'alimentation de l'appareil doit être protégée par un interrupteur à fusible ou coupe-circuit.
 5. L'alimentation doit se trouver à $\pm 10\%$ de la tension nominale et les phases doivent être équilibrées à $\pm 2\%$ les unes des autres. Sinon, prévenez le fournisseur d'électricité.
 6. Les branchements électriques externes à installer incluent :
 - a. Branchement de l'alimentation secteur (120, 208, 240, 480 ou 575 volts).
 - b. Thermostats, commutateurs été/hiver ou autre commande accessoire pouvant être fournie (24 volts).
- REMARQUE :** Certains modèles exigent l'utilisation d'un transformateur abaisseur installé sur site. Pour déterminer la tension d'alimentation requise, consultez la plaque signalétique. Des informations supplémentaires se trouvent aux tableaux 19.2 et 19.3 et dans les instructions d'installation du transformateur.
7. Pour l'emplacement de la boîte de dérivation électrique, reportez-vous à la figure 18.1.
 8. Tous les branchements électriques d'alimentation sont établis dans la boîte de dérivation électrique de l'appareil. La basse tension (thermostat et accessoires) peuvent être câblés aux bornes de la boîte de dérivation électrique. Pour l'emplacement des bornes de tous les câbles à basse tension, reportez-vous au diagramme de câblage.

IMPORTANT

N'essayez pas d'attacher des gaines quelconques aux modèles à hélice.

- Lors de l'installation de l'appareil de chauffage, suivez toujours les bonnes pratiques de conception de réseau de gaine pour obtenir la distribution uniforme de l'air à travers l'échangeur de chaleur. Les configurations recommandées apparaissent à la figure 13.1. Lorsque vous installez des appareils à soufflante avec des gaines, vous devez procéder comme suit.
1. Assurez une distribution d'air uniforme sur l'échangeur thermique. Utilisez les ailettes rotatives en cas de besoin. (Voir la figure 13.1.)
 2. Fournissez des panneaux d'accès amovibles dans les gaines côté aval de l'appareil de chauffage. Ces ouvertures doivent être assez grandes pour permettre de voir de la fumée ou de réfléchir la lumière à l'intérieur afin d'indiquer des fuites dans l'échangeur de chaleur et de vérifier les points chauds sur l'échangeur causés par une mauvaise répartition de l'air ou un manque d'air.
 3. Si les gaines sont connectées à l'arrière de l'appareil, utilisez l'ensemble du boîtier de soufflante Modine ou, si vous utilisez un boîtier conçu sur site, maintenez les dimensions du boîtier de la soufflante aux dimensions indiquées à la page 25.

Figure 13.1 - Recommandations pour l'installation de gaines



Exigences supplémentaires pour le modèle à soufflante BDP

Détermination du régime de la soufflante

L'entraînement et le moteur de tous les appareils de chauffage à soufflante sont assemblés à l'usine et ajustés pour un fonctionnement dans des conditions moyennes de débit d'air et sans pression statique extérieure. La roue à gorge doit être réglée au besoin quand l'appareil doit fonctionner avec des débits d'air et/ou des pressions statiques externes non moyens. Le réglage doit toujours se situer dans la plage de performance indiquée à la page 20 et la plage de montée de température indiquée sur la plaque signalétique de l'appareil.

Pour déterminer le régime de la soufflante et les tours d'ouverture de la roue à gorge corrects, les conditions de fonctionnement doivent être connues. Par exemple, un modèle BDP350 fonctionnant sans pression statique externe (à savoir, pas de gaines, buses, etc.) doit fournir un volume d'air de 6 481 pi³/min. Pour cela, l'appareil doit être muni d'un moteur de 5 HP, un entraînement -207 et la roue à gorge de l'entraînement doit être réglée à 2,5 tours pour atteindre un régime de soufflante de 960 tr/min (pour les modèles avec ou sans soufflante, voir le

INSTALLATION – ENSEMBLE D'ACCESSOIRES POUR HAUTE ALTITUDE

Si la valeur de chauffage du gaz fourni est différente des valeurs des tableaux 11.1 et 11.2, utilisez l'équation suivante pour déterminer la pression appropriée au collecteur pour l'altitude et la valeur de chauffage du gaz fourni.

Equation 12.1 - Pression au collecteur pour valeur nominale de gaz réduite

$$MP_{ALT} = \left(\frac{BTU_{TBL}}{BTU_{ACT}} \right)^2 \times MP_{SL}$$

Où :

MP_{ACT} = Pression au collecteur (po C.E.) en altitude –
Réglage de pression de gaz pour l'appareil de chauffage installé

BTU_{TBL} = Teneur du gaz en BTU/pi³ –
Tiré du tableau 11.1 ou 11.2 (selon le cas)

BTU_{ACT} = Teneur du gaz en BTU/pi³ –
Obtenu auprès du fournisseur de gaz local

MP_{SL} = Pression au collecteur (po C.E.), au niveau de la mer –
Utilisez 3,5 po C.E. pour le gaz naturel et 10 po C.E. pour le propane

REMARQUE : Seule la pression au collecteur primaire doit être réglée sur les appareils équipés de commandes de gaz à deux étages ou modulation. Aucun réglage de pression au collecteur à feu bas n'est nécessaire sur ces appareils.

INSTALLATION – ENSEMBLE D'ACCESSOIRES POUR HAUTE ALTITUDE

ENSEMBLE D'ACCESSOIRES POUR HAUTE ALTITUDE Régler de pression au collecteur

La pression d'arrivée dans l'appareil doit être confirmée dans les limites acceptables (6 à 7 po C.E. pour le gaz naturel et 11 à 14 po C.E. pour le gaz propane) avant d'ouvrir le robinet d'arrêt, faute de quoi le robinet de gaz mixte risque d'être endommagé.

Les appareils de chauffage utilisant du **gaz naturel** ont des robinets de gaz réglés pour l'usage à une pression au collecteur de 3,5 po C.E. à une pression d'arrivée de 7 po C.E.

Les appareils qui utilisent du **gaz propane** sont réglés pour une pression au collecteur de 10 po C.E. à une pression d'arrivée de 14 po C.E.

Une installation à plus de 2000 pieds d'altitude exige le réglage de la pression au collecteur comme décrit.

Gaz à valeur de chauffage diminuée et calcul de pression au collecteur

Certains fournisseurs de gaz pourront réduire la teneur en BTU (valeur de chauffage) du gaz fourni en altitude à une autre valeur que 1050 BTU/pi³ pour le gaz naturel ou 2500 BTU/pi³ pour le propane pour permettre l'utilisation de certains appareils de chauffage sans régler la pression au collecteur. C'est pourquoi il est nécessaire de contacter le fournisseur de gaz pour en savoir plus sur le type de gaz et la teneur en BTU (valeur de chauffage) avant d'utiliser un appareil de chauffage. Les tableaux 11.1 et 11.2 indiquent les valeurs de chauffage diminuées standard (4 % pour 1000 pieds d'altitude aux États-Unis et 10 % entre 2001 et 4500 pieds d'altitude au Canada) des gaz naturel et propane à différentes altitudes. Si le fournisseur livre du gaz avec des valeurs de chauffage comme indiqué aux tableaux 11.1 et 11.2, la pression au collecteur doit être réglée à 3,5 po C.E. pour le gaz naturel et à 10 po C.E. pour le propane.

REMARQUE : Seule la pression de gaz à feu fort doit être ajustée, la pression de gaz à feu bas doit rester la même.

Tableau 11.2 - Valeurs de chauffage du gaz propane selon l'altitude

Altitude (pi)	E.-U.	Canada
0 à 2000	2500	2500
2001 à 3000	2212	
3001 à 4000	2123	2250
4001 à 4500	2080	
4501 à 5000	2038	2038
5001 à 6000	1957	1957
6001 à 7000	1879	1879
7001 à 8000	1803	1803
8001 à 9000	1731	1731
9001 à 10000	1662	1662

④ ③ ② ①

Tableau 11.1 - Valeurs de chauffage du gaz naturel selon l'altitude

Altitude (pi)	E.-U.	Canada
0 à 2000	1050	1050
2001 à 3000	929	
3001 à 4000	892	945
4001 à 4500	874	
4501 à 5000	856	856
5001 à 6000	822	822
6001 à 7000	789	789
7001 à 8000	757	757
8001 à 9000	727	727
9001 à 10000	698	698

④ ③ ② ①

Sélection de la pression et de l'ensemble corrects

Pour déterminer la pression de collecteur correcte en altitude et si nécessaire, l'ensemble de pressostat d'air de combustion correct, le numéro de modèle complet de l'appareil de chauffage, le combustible à utiliser et l'altitude à laquelle l'appareil sera installé doivent être connus. Pour obtenir les renseignements nécessaires sur l'appareil, consultez la plaque du numéro de série.

Une fois en possession de ces informations, consultez les tableaux de pressions de gaz et de sélection aux tableaux 11.1 à 11.3. Les tableaux de pression sont divisés par altitude, type de combustible et pays d'installation du produit. Les tableaux de sélection sont divisés par type de produit, altitude et type de combustible. Dans le cas d'une conversion du gaz naturel au propane à haute altitude, un ensemble de conversion à propane utilisé (le cas échéant). Les tableaux de sélection incluent le suffixe d'ensemble adéquat, si nécessaire.

Les valeurs nominales d'entrée standard des appareils au gaz de Modine sont certifiées par ETL. À plus de 2 000 pieds, la norme ANSI Z223.1 exige la réduction des valeurs nominales de 4% tous les 1 000 pieds au-dessus du niveau de la mer. Au Canada, l'ACNOR exige la réduction des valeurs nominales de 10 % à plus de 2 000 pieds d'altitude. Les instructions de réglage en haute altitude et les ensembles de pressostat listés dans ce manuel concernent les appareils qui seront installés à plus de 2 000 pieds. Ces méthodes et ensembles sont conformes aux exigences ANSI Z223.1 et ACNOR.

Si un appareil doit être installé à plus haute altitude ET converti d'un service gaz naturel à gaz propane, un ensemble de conversion au propane doit être utilisé avec les méthodes de réglage de pression et les ensembles de pressostat listés dans ce manuel. Pour les instructions de sélection et d'installation pour les kits de conversion au propane, consultez la toute dernière version du manuel Modine 75-511.

Tableau 11.3 - Ensemble haute altitude pour PDP/BDP

Taille de modèle	Code d'article				
	Suffixe d'ensemble				
150-400	Non requis				
	Etiquette seulement				
Détails	Etiquette seulement				
	Etiquette seulement				
États-Unis et Canada					
	0 à 2000 pi	2001 à 4500 pi	4501 à 5500 pi	5501 à 6500 pi	6501 à 7500 pi

- ① Les valeurs indiquées correspondent à une pression au collecteur de 3,5 po C.E.; pour les autres valeurs de teneur en BTU (disponibles auprès de votre fournisseur local), utilisez l'équation 12.1 pour calculer la pression au collecteur.
- ② Les valeurs indiquées correspondent à une pression au collecteur de 10 po C.E.; pour les autres valeurs de teneur en BTU (disponibles auprès de votre fournisseur local), utilisez l'équation 12.1 pour calculer la pression au collecteur.
- ③ Si l'appareil est installé à plus de 2000 pieds, vous devrez peut-être remplacer un pressostat. Reportez-vous au tableau 11.3 pour voir si un changement de pressostat est nécessaire.
- ④ Les valeurs nominales de chauffage du gaz sont réduites de 4 % tous les 1000 pieds d'altitude aux États-Unis et de 10 % entre 2000 et 4500 pieds d'altitude au Canada, conformément aux normes ANSI Z223.1 et ACNOR-B-149, respectivement.

① Pour les ensembles Etiquette seulement, le numéro de référence Modine SH0807146005 doit être inscrit et attaché à l'appareil par l'installateur.

Contactez le représentant Modine local au 1.800.828.4328 (HEAT).

AVERTISSEMENT

1. Toutes les tuyauteries de gaz extérieures doivent être soumises à des essais de pression et d'étanchéité avant la mise en marche. Ne recherchez jamais les fuites avec une flamme nue. Utilisez plutôt de l'eau savonneuse ou un produit équivalent.
2. La pression de gaz au régulateur de l'appareil ne doit jamais dépasser 14 po C.E. (1/2 psi).
3. Pour réduire les risques de condensation, le pouvoir calorifique minimum du gaz (au niveau de la mer) ne doit pas être inférieur de 5 % à la valeur nominale figurant sur la plaque signalétique de l'appareil ou de 5 % à la valeur la plus basse des appareils à double alimentation.

ATTENTION

1. La purge de l'air des tuyauteries de gaz doit se faire selon la procédure ANSI Z223.1 (NFPA 54) – dernière édition ou aux codes CSA B149 pour le Canada.
2. Pour l'essai d'étanchéité des tuyauteries d'alimentation en gaz, l'appareil et son régulateur de gaz combiné doivent être isolés pour tout essai fait à une pression dépassant 3,5 kPa (1/4 po d'eau ou 0,5 psi) (1/2 psi).
3. L'appareil devrait être isolé de la conduite d'alimentation en gaz par la fermeture d'un robinet d'arrêt manuel posé à l'installation. Ce robinet d'arrêt doit être dans un rayon de 6 pi autour de l'appareil. Fermez l'arrivée générale de gaz avant d'installer l'appareil.

IMPORTANT

Pour éviter une défaillance prématurée de l'échangeur de chaleur, l'apport calorifique du gaz utilisé ne doit pas excéder de plus de 5 % la valeur nominale inscrite sur la plaque signalétique de l'appareil.

1. L'installation doit se faire conformément aux codes locaux de la construction ou, à défaut de tels codes, conformément au National Fuel Gas Code, ANSI Z223.1 (NFPA 54) – dernière édition. Au Canada, l'installation doit se faire conformément à la norme CSA B149.1.
2. Les tuyauteries doivent être conformes aux exigences locales et nationales pour le type et le volume de gaz, ainsi que les pertes de charge admissibles dans les lignes. Consultez le tableau 10.1 pour déterminer les débits (pi³/h) pour le type de gaz et la capacité de l'appareil à installer. À partir de la valeur du débit et de la longueur de tuyau nécessaire, déterminez le diamètre de tuyau en consultant le tableau 10.2. Si plusieurs appareils sont desservis par le même réseau, il faut tenir compte de la capacité totale, du débit total et de la longueur totale. N'utilisez pas de tuyau plus petit que 13 mm ou 1/2 po. Le tableau 10.1 est établi pour une perte de charge de 0,3 po de C.E. entre la conduite principale du bâtiment et l'appareil de chauffage. La pression du gaz à l'entrée de l'appareil doit être de 6 à 7 po C.E. pour le gaz naturel et de 11 à 14 po C.E. pour le propane. En déterminant le diamètre de la conduite d'alimentation, il faut s'assurer que ces pressions seront respectées à l'entrée de l'appareil malgré la perte de charge de 0,3 po C.E. admise dans la tuyauterie. Si une perte de charge de 0,3 po C.E. est excessive, consultez le manuel Gas Engineers Handbook pour déterminer la section des tuyaux de gaz.
3. Installez un raccord union à joint rodé avec un siège en laiton et un robinet d'arrêt manuel adjacent à l'appareil pour les arrêts manuels d'urgence et l'entretien des commandes, comportant un raccord 1/8 po NPT avec bouchon obturateur, pour pouvoir brancher un manomètre (voir la figure 10.1).
4. Utilisez deux clés pour raccorder la tuyauterie du site aux appareils. Ajoutez un collecteur de sédiments en amont de chaque appareil dans la tuyauterie s'il n'est pas possible d'éviter les points bas (voir la figure 10.1).
5. Si des essais de pression et d'étanchéité doivent être faits à plus de 36 cm (14 po) d'eau (1/2 psi), fermez le robinet d'arrêt installé sur site, déconnectez l'appareil et sa commande de gaz mixte de l'arrivée de gaz et bouchez l'arrivée de gaz avant le test. Lorsque vous testez des pressions de 35,5 cm C.E. (1/2 psi) ou inférieures, fermez le robinet d'arrêt manuel sur l'appareil avant d'effectuer le test.

Tableau 10.1 - Pression au collecteur et consommation de gaz au niveau de la mer

Taille de modèle	Pression au collecteur (po C.E.)		Diam. forêt pour office	pi cubes/h	Diam. forêt pour office	pi cubes/h
	Naturel	Propane				
150	1,64	1,64	21	39	21	39
	-	-	-	-	-	-
	138,1	138,1	138,1	58	138,1	58
175	1,86	1,86	28	43	28	43
	-	-	-	-	-	-
	166,7	166,7	166,7	70	166,7	70
200	2,19	2,19	36	80	36	80
	-	-	-	-	-	-
	190,5	190,5	190,5	80	190,5	80
250	2,74	2,74	48	100	48	100
	-	-	-	-	-	-
	238,1	238,1	238,1	100	238,1	100
300	3,29	3,29	60	120	60	120
	-	-	-	-	-	-
	285,7	285,7	285,7	120	285,7	120
350	3,84	3,84	72	140	72	140
	-	-	-	-	-	-
	333,3	333,3	333,3	140	333,3	140
400	4,38	4,38	84	160	84	160
	-	-	-	-	-	-
	381	381	381	160	381	160

① En position OFF, la manette du robinet d'arrêt de gaz doit être perpendiculaire au tuyau.

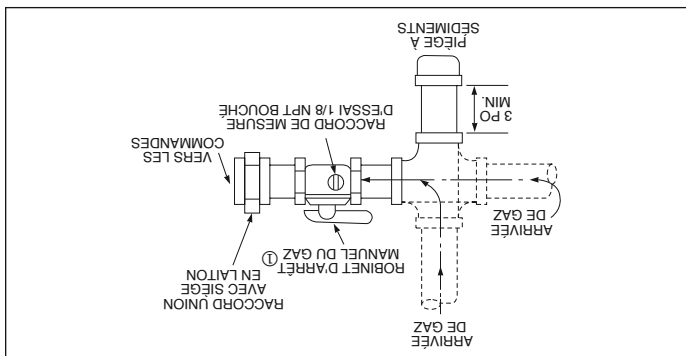


Figure 10.1 - Installation recommandée : piège à sédiments et robinet d'arrêt manuel pour raccorder au gaz

Tableau 10.2 - Capacités de gaz – Gaz naturel

Longueur de tuyau (pi)	1/2 po		3/4 po		1 po		1-1/4 po		1-1/2 po	
	2 po	3050	132	278	520	1050	1600	3050	2 po	710
10	20	2100	92	190	350	730	1100	2100	20	1650
20	30	1650	73	152	285	590	890	1650	40	1450
40	60	1150	63	130	245	500	760	1450	80	1050
50	70	1050	56	115	215	440	670	1270	100	930
60	80	930	50	105	195	400	610	1150	125	870
70	90	870	46	96	180	370	560	1050	150	810
80	100	810	43	90	170	350	530	930	175	780
100	125	780	38	79	150	305	460	870	200	740
125	150	740	34	72	130	275	410	810	250	700
150	175	700	31	64	120	250	380	760	300	660

① Capacités en pieds-cubes par heure dans des tuyaux de nomenclature 40 avec une chute de pression maximum de 0,3 po de C.E. avec une pression gazeuse de 14 po de C.E. La densité est de 0,60 pour le gaz naturel et de 1,50 pour le propane.

② Pour obtenir la capacité de tuyaux contenant du propane, divisez la capacité pour le gaz naturel par 1,6. Exemple : quelle est la capacité d'un tuyau à propane de 60 pi x 1-1/4 po? Sa capacité pour le gaz naturel est de 400 pi³/h. Divisez cette valeur par 1,6 pour obtenir 250 pi³/h pour le propane.

INSTALLATION – EVACUATION

Section C – Installation des systèmes d'évacuation horizontale de catégorie III.

C1. Cette section s'applique aux systèmes d'évacuation horizontale de catégorie III et complète les prescriptions de la section A – Instructions générales – Tous modèles.

C2. Conduit horizontal débouchant horizontalement (sur le côté du bâtiment).

C3. Sceller toutes les coupures et les joints des tuyaux à paroi simple non étanches avec du ruban métallique ou Silastic pour des températures allant jusqu'à 205 °C (400 °F). Le ruban doit être enroulé deux fois autour du tuyau. Pour les systèmes d'évacuation à simple paroi, une section continue de tuyau d'évacuation à double paroi peut être utilisée dans le système d'évacuation pour la traversée du mur jusqu'au chapeau d'évacuation listé. Il est interdit d'accomplir de tels tuyaux à double paroi dans une même installation d'évacuation horizontale à cause de l'impossibilité de vérifier l'étanchéité des raccords du tuyau intérieur. Les systèmes de ventilation de catégorie III énumérés par une agence reconnue à l'échelle nationale et correspondant aux diamètres spécifiés peuvent être utilisés. Différents matériaux de tuyau matériaux de ventilation peuvent ne pas être mélangés. Voir le point A10 de la section A – Instructions générales – Tous modèles pour les transitions entre double paroi et simple paroi.

C4. Pour les longueurs totales minimales et maximales des tuyaux afin de rendre le système le plus rectiligne possible, consultez le tableau 6.1. La longueur équivalente d'un coude de 90° est de 6 pi pour 5 po de diamètre et de 7 pi pour 6 po de diamètre.

C5. Tous les systèmes d'évacuation horizontale de catégorie III doivent être terminés avec un chapeau de cheminée listé. Le chapeau doit se terminer à une distance minimum au-delà de la surface du mur extérieur, comme illustré à la figure 9.2 et au tableau 9.1. La cheminée doit être soutenue, comme illustré à la figure 9.1. Des précautions doivent être prises pour éviter la dégradation des matériaux de couverture par les produits de combustion.

Tableau 9.1 - Dimension entre le chapeau de cheminée et le mur extérieur

Chapeau de cheminée	"A" min.
Selkirk, Starkap ou Constant Air-Flo 2433	12 po
Modine 5H072285	6 po
Tjernlund VH1	0 po

Figure 9.1 - Construction d'une traversée à travers une paroi combustible et support de cheminée

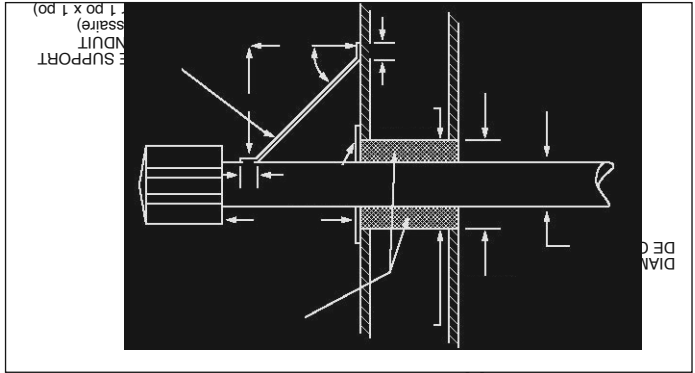
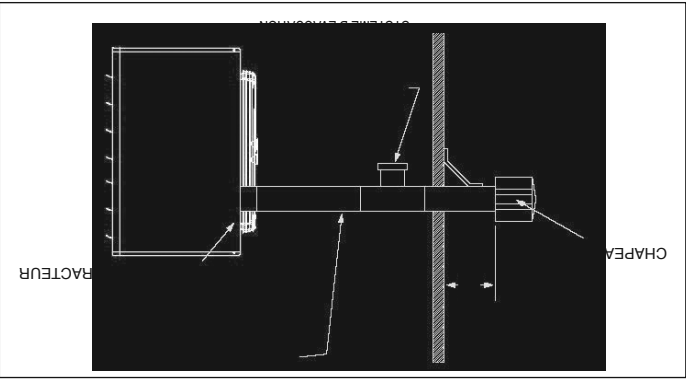


Figure 9.2 - Ventilation horizontale



C6. Si la condensation risque d'être un problème, le système d'évacuation ne doit pas déboucher au-dessus d'une voie publique ou d'une zone où le condensat ou la vapeur pourrait créer une nuisance ou un danger, ou pourrait affecter le fonctionnement du régulateur ou des ouvertures de régulation de pression, ou bien d'autres équipements.

C7. Le système d'évacuation ne doit pas desservir plus d'un appareil de chauffage et ne doit pas servir à d'autres fins.

C8. Pour une évacuation horizontale, il faut maintenir une pente montante de 21 mm par pied (1/4 po par pied) vers l'aval et placer un té d'égouttement avec bouchon de nettoyage, comme illustré à la figure 9.2. Sous réserve de l'accord des autorités locales, une pente de 21 mm par mètre (1/4 po par pied) vers l'aval est acceptable avec un té d'égouttement avec bouchon de nettoyage près de la sortie, comme illustré à la figure 9.2, ou encore un écoulement direct du condensat au bout du tuyau.

C9. Dans le cas d'un chapeau de cheminée situé sous un avant-toit, la distance du porte-à-faux ne doit pas dépasser 61 cm (24 po). Les dégagements par rapport aux surfaces combustibles d'un conduit d'évacuation extérieur doivent être de 24 cm (12 po) au minimum. Consultez le National Fuel Gas Code pour les exigences additionnelles relatives aux avant-toits ayant des ouvertures de ventilation.

C10. Une fois l'installation du système d'évacuation terminée, passez à la section intitulée « Installation – Raccordements de gaz ».

INSTALLATION – ÉVACUATION

A10. Si le tuyau traverse une cloison ou un plancher INTÉRIEUR combustible, la traversée doit être munie d'un manchon métallique ayant un diamètre de 10 cm (4 po) de plus que le tuyau. Si le tuyau situé entre l'appareil et la traversée du mur ou du plancher a une longueur supérieure à 1,8 m (6 pi), le manchon peut avoir un diamètre de 5 cm (2 po) seulement de plus que le tuyau. S'il n'y a pas de manchon de traversée, tous les matériaux combustibles doivent être découpés pour assurer un dégagement d'au moins 15 cm (6 po) tout autour du tuyau. Sous réserve de l'accord des autorités compétentes locales, une évacuation de type B peut être utilisée comme dernier tronçon du conduit d'évacuation pour maintenir une distance par rapport aux combustibles lors du passage à travers le mur ou le plancher. Voir la figure 6.1 Tout matériau utilisé pour boucher cette ouverture doit être incombustible.

A11. Toutes les rivures et tous les joints des tuyaux à simple paroi doivent être scellés avec du ruban métallique ou Silastic certifié pour 400 °F. Le ruban doit être enroulé deux fois autour du tuyau. Une section continue de tuyau d'évacuation à double paroi peut être utilisée dans le système d'évacuation pour la traversée du mur jusqu'au chapeau d'évacuation listé. Voir le point A12 de la section A – Instructions générales – Tous modèles pour les transitions entre double paroi et simple paroi.

A12. Instructions générales pour l'installation du tuyau de chapeau à double paroi (Type B) :

Raccordement d'un chapeau de cheminée à paroi simple à un tuyau d'évacuation à double paroi (type B) :

1. Recherchez la flèche « de sens » sur le tuyau d'évacuation.
2. Fixez le chapeau de cheminée à l'extrémité du tuyau d'évacuation à double paroi.
3. Percez (3) avant-trous à travers le tuyau et le chapeau de cheminée. Utilisez des vis à tête de 3/4 po pour fixer le chapeau au tuyau. Ne serrez pas trop.

Comment fixer un tuyau d'évacuation à paroi simple à un tuyau de cheminée à double paroi (type B) :

1. Entoncez le tuyau à simple paroi dans la paroi interne du tuyau à double paroi.
2. Percez trois avant-trous à travers les deux épaisseurs des tuyaux. Utilisez des vis à tête de 3/4 po pour fixer les deux tuyaux. Ne serrez pas trop.
3. L'espace annulaire entre les tuyaux à double et à simple paroi doit être scellé, mais il n'est pas nécessaire de remplir tout le volume. Pour fermer l'ouverture annulaire, appliquez un large boudin de Silastic 400°F (205°C).

A13. Les dégagements doivent être maintenus jusqu'à la sortie du conduit d'évacuation :

Tableau 7.1 - Information concernant les dégagements des conduits d'évacuation

Structure	Dégagements minimums pour les conduits d'évacuation
Prise d'air forcée à moins de 10 pi	3 pi au-dessus
Prise d'air de combustion d'un autre appareil	6 pi dans toutes les directions
Porte, fenêtre, prise d'air libre, ou autre ouverture du bâtiment	4 pi horizontalement ou en dessous 1 pi au-dessus
Compteur électrique, compteur à gaz, régulateur de gaz ou équipement ①	4 pi horizontalement (É.-U.) 6 pi horizontalement (Canada)
Régulateur de gaz	3 pi horizontalement (É.-U.) 6 pi horizontalement (Canada)
Mur ou parapet de bâtiment adjacent	6 pi toutes directions
Passage public adjacent	7 pi toutes directions
Niveau du sol	3 pi au-dessus

A14. Cet appareil ne doit PAS être relié à une cheminée en maçonnerie. A15. N'utilisez PAS de registres ni d'autres accessoires dans les conduits d'évacuation ou d'air de combustion.

Remarque : Les tuyaux de raccordement desservant des appareils de catégorie I ne doivent pas être reliés à une partie d'un système d'évacuation à tirage mécanique fonctionnant avec une pression positive.

Catégorie	Description	Exigences d'évacuation
I	Pression d'évacuation négative sans condensation	Suivre les exigences d'évacuation standard
II	Pression d'évacuation négative avec condensation	Le condensat doit pouvoir s'égoutter.
III	Pression d'évacuation positive	Le conduit d'évacuation doit être étanche aux gaz
IV	Pression d'évacuation positive avec condensation	Le tuyau d'évacuation doit être étanche aux liquides et aux gaz. Le condensat doit pouvoir s'égoutter.

Tableau 7.3 - Exigences ANSI pour les conduits d'évacuation des appareils de chauffage

A21. Si un retour d'air vers la gauche (face à l'avant de l'appareil de chauffage avec l'air soufflant dans le visage) est souhaité, l'extracteur motorisé peut être tourné de 180°. Pour cela, enlevez les vis du collet de ventilation, tournez l'extracteur, puis remettez les vis.

A22. En plus de ces instructions générales, il convient d'observer les instructions particulières données pour les systèmes d'évacuation des types vertical catégorie I ou horizontal catégorie III. Les différences sont mises en évidence ci-dessous :

Tableau 7.2 - Chapeaux de cheminée

Taille de modèle	Réf. Modèle
150-200	5H07222850004
250-400	5H07222850002

A16. Le système d'évacuation doit être exclusif à un seul appareil et aucun autre appareil ne doit être ventilé par son biais.

A17. Des précautions doivent être prises pour éviter la dégradation des matériaux de couverture par les produits de combustion.

A18. Un tuyau d'évacuation à simple paroi ne doit pas traverser un grenier inoccupé, une cloison, un vide de construction ou un plancher.

A19. Dans les régions où la température d'hiver utilisée pour le calcul à 99 % est inférieure à 0 °C (32 °F), il n'est pas permis d'utiliser des tuyaux simples pour l'évacuation à l'extérieur des gaz de combustion.

A20. Le chapeau de cheminée doit être :

Évacuation verticale catégorie I

- Conduit vertical débouchant verticalement (vers le haut) (exemple à la figure 8.1).
- La partie horizontale du circuit ne doit dépasser 75% de la hauteur verticale (Exemple : Si la hauteur est 3 m (10 pi), la partie horizontale ne doit pas dépasser 2,3 m (7,5 pi).
- Le niveau de la sortie du système d'évacuation doit être à au moins 1,5 m (5 pi) au-dessus du raccord de l'appareil.
- Si le système d'évacuation respecte TOUTES ces exigences (voir l'exemple de la figure 8.1), passez à la section B – Installation des systèmes d'évacuation verticale. Dans tous les autres cas, passez à la section suivante « Détermination du système d'évacuation horizontal catégorie III ».

Évacuation horizontale de catégorie III

- Conduit horizontal débouchant horizontalement (sur le côté du bâtiment) (exemple à la figure 9.2).
- Un système d'évacuation qui se termine verticalement, mais comporte une partie horizontale de plus de 75 % de sa hauteur verticale est considéré comme horizontal.
- Les configurations d'évacuation horizontales appartiennent à la catégorie III. Des exigences supplémentaires sont traitées à la Section C - Installation de système d'évacuation horizontale de catégorie III.



1. Un système d'évacuation est obligatoire pour les appareils de chauffage au gaz – ne les faites jamais fonctionner sans évacuation

2. Un extracteur intégré assure la circulation des gaz – il est inutile ou interdit d'installer un dispositif d'extraction externe supplémentaire.

3. Si un appareil de chauffage existant est remplacé, vous devrez peut-être redimensionner les systèmes d'évacuation des gaz. Un système de ventilation de diamètre insuffisant peut causer des retoulements de gaz brûlés ou la formation de condensat. Reportez-vous au National Fuel Gas Code ANSI Z223.1 (NFPA 54) ou à la dernière édition de la norme CSA B149.1. Le non-respect de ces instructions peut se solder par des blessures graves, voire mortelles.

4. Il est interdit d'accoupler deux longueurs de tuyau à double paroi dans une même installation d'évacuation horizontale à cause de l'impossibilité de vérifier l'étanchéité des raccords du tuyau intérieur.

ATTENTION

L'installation doit se faire conformément aux codes locaux de la construction ou, à défaut de tels codes, conformément au National Fuel Gas Code, ANSI Z223.1 (NFPA 54) - dernière édition. Au Canada, l'installation doit se faire conformément à la norme CSA B149.1.

Les circuits d'évacuation des modèles PDP/BDP doivent être conformes aux descriptions des présentes instructions pour conduire les gaz de combustion de l'appareil ou de son raccord de sortie vers l'atmosphère extérieure.

Les instructions d'évacuation sont organisées en sections, selon le type d'installation. Ces sections sont identifiées de la manière suivante :

Instructions	A	Instructions générales applicables à TOUTES les installations
Systèmes d'évacuation VERTICALE CATÉGORIE I	B	①
Systèmes d'évacuation HORIZONTALE CATÉGORIE III	C	②

① Les différences entre les systèmes verticaux et horizontaux seront identifiées à la « Section A – Instructions générales – tous modèles ».

Section A – Instructions générales – Tous modèles

A1. Si l'appareil que vous installez remplace un équipement existant et utilise le même système d'évacuation, inspectez le système d'évacuation pour vérifier que les diamètres et la pente des tuyaux sont conformes aux exigences du National Fuel Gas Code ANSI Z223.1 (NFPA 54) ou du code d'installation CSA B149.1, dernière édition, et aux présentes instructions. Déterminez s'il n'y a pas d'obstructions, de restriction, de fuite, de corrosion ou d'autres défauts pouvant créer un risque.

A2. Le tuyau d'évacuation des gaz doit être un tuyau en acier galvanisé ou autre matière résistant bien à la corrosion. L'épaisseur minimale du conduit d'évacuation est spécifiée dans le National Fuel Gas Code. N'utilisez jamais des tuyaux de cheminée en PVC ou autres types de plastique.

A3. Tous les appareils de chauffage sont fournis avec un adaptateur permettant d'attacher le tuyau d'évacuation à l'appareil de chauffage (Tableau 6.1). Attachez le tuyau d'évacuation des gaz à l'adaptateur à l'aide de 3 vis résistant à la corrosion. (Percez des avant-trous à travers le tuyau d'évacuation et l'adaptateur avant de visser.) Le tuyau d'évacuation des gaz ne doit pas être d'un diamètre inférieur à celui du connecteur.

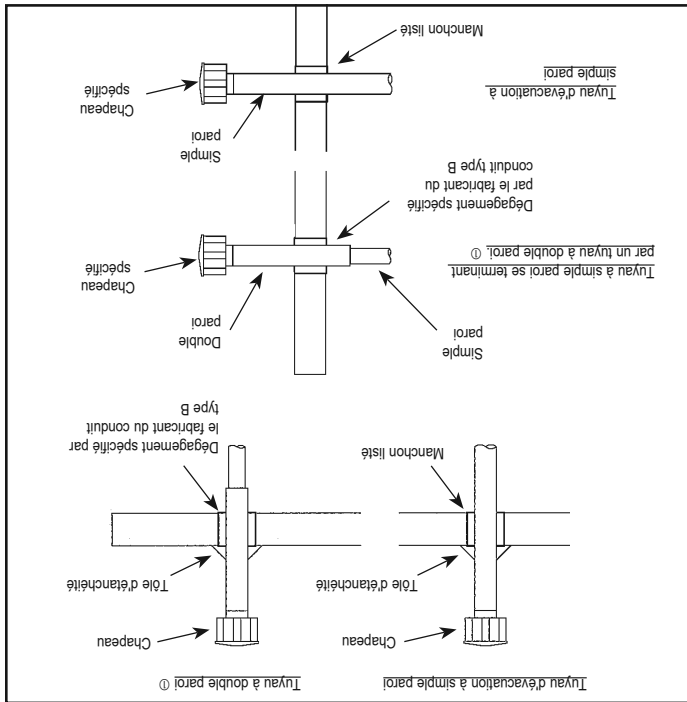
A4. Limitez la longueur totale équivalente du tuyau d'évacuation au minimum et maximum fournis au tableau 6.1, en créant un système

- d'évacuation le plus droit possible. La longueur équivalente d'un coude de 5 po est de 6 pi, celle d'un coude de 6 po est de 7 pi. A5. Il est recommandé de prévoir un raccord droit d'au moins 30 cm (12 po) entre la sortie de l'appareil et le conduit d'évacuation.
- A6. Les sections horizontales du tuyau d'évacuation doivent être installées avec une pente ascendante ou descendante de l'appareil de 1/4 de pouce par pied et doivent être suspendues de manière sécurisée à des structures suspendues à des points ne dépassant pas 3 pi.
- A7. Les tuyaux doivent être fixés les uns aux autres par au moins 3 vis à tôle anticorrosion.
- A8. Les tuyaux à simple paroi doivent être éloignés d'au moins 15 cm (6 po) des surfaces combustibles. Pour des tuyaux à double paroi, suivez les instructions du fabricant en matière de dégagement. La distance minimum des matières combustibles dépend de la température de surface de la matière combustible ne devant pas dépasser 71 °C. Il est possible que la distance par rapport au tuyau de ventilation (ou au haut de l'appareil) doit être augmentée à plus de 6 po si la chaleur risque de causer des dommages autre que le feu (comme des déformations ou une altération de couleur).
- A9. Évitez de faire passer le conduit à travers un espace non chauffé, dans la mesure du possible. Si le tuyau traverse un espace non chauffé ou si l'appareil est installé dans un environnement propice à la condensation, il faudra isoler toute longueur de tuyau de plus de 5 pi afin de minimiser la condensation. Assurez-vous qu'il n'y a pas de fuites et utilisez un isolant non combustible avec un indice non inférieur à 204 °C (400 °F). Installez un raccord en té au point bas du système de ventilation et fournissez un collecteur de condensats avec un bouchon de nettoyage, comme illustré à la figure 8.1.

Tableau 6.1 - Diamètres de tuyau d'évacuation, transitions et longueurs de tuyau d'évacuation équivalentes totales pour les systèmes d'évacuation horizontaux

Format du modèle	Transition de conduit incluse	Diamètre de tuyau d'évacuation	Long. équiv. minimum	Long. équiv. maximum
150, 175	4 à 5 po	5 po	2 pi	60 pi
200	6 à 5 po	5 po	2 pi	60 pi
250-400	Non requis	6 po	2 pi	70 pi

Figure 6.1 - Cheminée traversant un mur ou un toit combustible



① Consultez les instructions A12 pour savoir comment attacher un tuyau à simple paroi à un tuyau à double paroi.

INSTALLATION

MONTAGE DE L'APPAREIL

1. Assurez-vous que les pièces de suspension peuvent supporter le poids de l'appareil (voir les pages 24 et 25 pour les poids).

2. Pour un fonctionnement correct et pour s'assurer que les flammes sont dirigées dans le centre des tubes de l'échangeur de chaleur, l'appareil doit être installé à l'horizontale. Utilisez un niveau à bulle d'air pour vous assurer que l'appareil est correctement suspendu.

3. Les distances aux matériaux combustibles comme spécifié à la figure 4.1 et aux tableaux 4.1 et 4.2 doivent être strictement maintenues.

4. Tous les modèles de série sont expédiés en boîte. Les modèles de taille supérieure sont également fournis avec une plate-forme de soutien au fond de la boîte. Les plus grands modèles pourront être soulevés par en dessous à l'aide d'un chariot élévateur à fourches ou d'un autre appareil de levage, uniquement si la plate-forme de soutien reste en place et que les fourches soutiennent l'appareil sur toute sa profondeur. Si l'appareil doit être soulevé par en dessous pour l'installation finale sans le carton en place, veillez à soutenir l'appareil sur toute sa longueur et sa largeur pour éviter de l'endommager. Lorsque vous soulevez les appareils, assurez-vous que la charge est équilibrée.

5. Les modèles à hélice jusqu'à la taille 350 ont deux trous de fixation; la taille 350 et au-dessus en ont quatre; les modèles à soufflante jusqu'à la taille 350 ont quatre trous de fixation; la taille 350 et au-dessus en ont six. Les appareils à deux points de suspension sont dotés d'un système de suspension à l'horizontale. Selon les options et les accessoires de niveau une fois suspendus. Ne suspendez pas les appareils directement avec des hottes de déflexion avant de vous référer au Manuel d'installation de hottes de déflexion » et d'opérer les ajustements préliminaires recommandés sur l'appareil chauffant, avec l'appareil au sol. Les modèles peuvent être montés avec une tige filetée de 3/8 po-16 comme suit :

• Sur chaque section de tige filetée utilisée, vissez un écrou sur une distance de 1 po environ sur l'extrémité des tiges filetées qui seront vissées sur l'appareil de chauffage.

• Placez une rondelle sur l'extrémité de la tige filetée et vissez la tige filetée sur les écrous à souder de l'appareil de chauffage sur le dessus de l'appareil de chauffage en donnant 5 tours minimum, mais pas plus de 10. Serrez le premier écrou installé sur la tige filetée pour éviter la rotation de la tige.

• Percez des trous dans un canal en acier ou une cornière aux mêmes dimensions de ligne centrale que l'appareil de chauffage en cours d'installation. Les canaux en acier ou cornières devront être attachés aux éléments de structure appropriés.

• Coupez les tiges filetées à la longueur voulue, enfitez-les dans les trous du canal en acier ou de la cornière, puis fixez par des rondelles et des contre-écrous ou des rondelles d'arrêt et des écrous. Une configuration à double écrou peut être utilisée ici plutôt qu'au niveau de l'appareil de chauffage (un double écrou peut être utilisé aux deux endroits, mais ce n'est pas une obligation).

• N'installez pas les appareils de chauffage de série au-dessus de la hauteur d'installation maximum indiquée au tableau 19.1.

REMARQUE : Un kit d'adaptateur pour suspension de tuyau, illustré à la figure 5.3, est fourni, disponible en accessoire. Un kit comprend des touts de 3/4" Bouchons de tuyaux IPS et vis à tête 3/8" - 16 x 1-3/4" pour la facilité tube de suspension fileté.

Figure 5.1 - Cornières de fixation réglables - Pour ajuster :

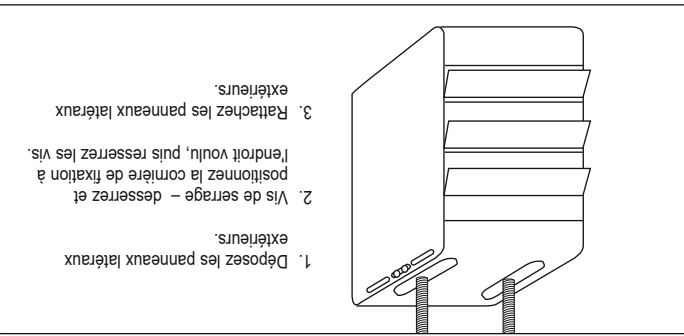
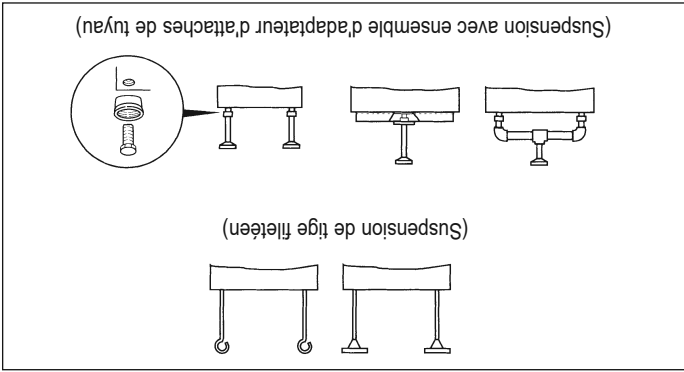


Figure 5.2 - Méthodes de suspension



EMPLACEMENT DE L'APPAREIL

EMPLACEMENT DE L'APPAREIL

Les appareils ne doivent pas être installés à un endroit où ils risquent d'être exposés à une atmosphère potentiellement explosive ou inflammable.

ATTENTION

1. Les dégagements aux matériaux combustibles sont essentiels.

2. Assurez-vous de respecter toutes les exigences mentionnées.

3. Les appareils de chauffage sont conçus pour être utilisés dans des applications où la température ambiante de départ est comprise entre -40 et 90 ° F.

4. L'appareil n'est pas conçu pour être installé à l'extérieur.

5. Dans les garages ou dans certaines parties des hangars d'aviation, comme les bureaux et les ateliers qui communiquent avec des endroits réservés à l'entretien ou à l'entreposage, le bas de l'appareil doit être placé à au moins 7 pi du sol, sauf si des protections adéquates sont installées pour protéger convenablement l'appareil.

6. Dans les stationnements, l'appareil doit être installé conformément à la norme relative aux structures de stationnement ANSI/NFPA 88A (dernière édition), et dans les garages de réparation, conformément à la norme NFPA 30A (dernière édition) (ex-NFPA 88B). Au Canada, l'installation d'appareils de chauffage dans des hangars d'aviation doit être effectuée conformément aux exigences de l'autorité de réglementation et, dans les garages publics, conformément aux codes courants CSA B149.

7. Dans un hangar d'aviation, le bas de l'appareil doit être à au moins 10 pi au-dessus de la plus haute surface des ailes ou d'un capot moteur, pour l'avion le plus haut que le hangar accueillera et doit respecter les prescriptions de l'autorité de réglementation et/ou de la norme NFPA 409 – dernière édition.

8. Si l'appareil est installé dans un environnement très humide ou salin, il sera soumis à une corrosion accélérée qui réduira sa durée de vie normale.

DANGER

IMPORTANT

Pour éviter la panne prématurée de l'échangeur de chaleur, ne placez AUCUN appareil à gaz à des endroits où des vapeurs corrosives (chlorées, halogénées ou acides) sont présentes.

Recommandations pour le choix de l'emplacement

1. Les facteurs à considérer pour le choix de l'emplacement de l'appareil de chauffage sont les distances prescrites et les besoins de chauffage, l'endroit où se trouve l'arrivée du gaz et l'entrée électrique, ainsi que la proximité des conduits d'évacuation.

2. Évitez d'installer les appareils dans les lieux à courant d'air. En présence de courants d'air, les flammes risquent de lécher les échangeurs de chaleur et d'en raccourcir la durée de vie. Maintenez une certaine distance entre les appareils pour que le retoulement d'un appareil ne soit pas dirigé jusqu'à l'aspiration d'un autre.

3. Assurez-vous que le support de l'appareil est assez solide pour porter son poids. Pour bien fonctionner, l'appareil doit être installé à l'horizontale.

4. N'installez pas l'appareil à un endroit où ses gaz brûlés pourraient être aspirés à l'intérieur d'un édifice voisin par une fenêtre, une prise d'air frais, etc.

5. Veillez à respecter les distances minimums des matériaux combustibles et les dégagements recommandés pour maintenance. Les appareils sont conçus pour une installation sur des surfaces non combustibles avec les dégagements minimums de la figure 4.1 et des tableaux 4.1 et 4.2.

6. Les appareils exposés à des températures d'arrivée d'air de 40 ° F ou moins pourront présenter de la condensation; par conséquent, prenez des dispositions pour l'évacuation du condensat.

7. Lors du choix de l'emplacement d'installation, il est important de prendre en considération le raccordement de la tuyauterie d'évacuation vers l'atmosphère extérieure.

- Les longueurs de tuyauterie d'évacuation équivalentes maximums apparaissent à « Section A – Instructions générales – tous modèles » des instructions d'évacuation des gaz.
- N'installez pas les appareils à un endroit où le système d'allumage au gaz serait exposé à un brouillard d'eau, à la pluie ou à un goutte-à-goutte.
- N'installez pas les appareils à moins de 7 pi (distance mesurée entre le bas de l'appareil et le sol), sauf s'il est équipé des barrières adéquates pour protéger l'utilisateur des composants en mouvement.

Figure 4.1 - Matières combustibles et dégagements

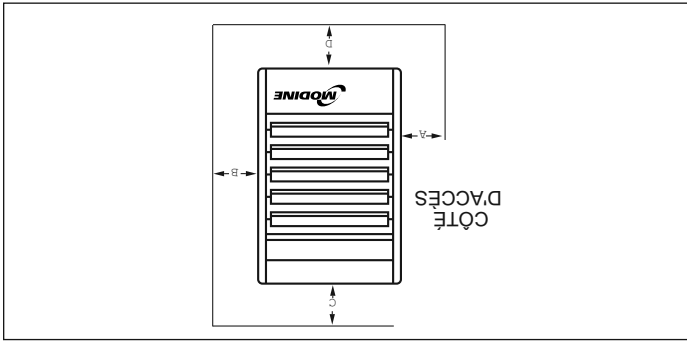


Tableau 4.1 - Distances des matières combustibles ①

Modèle	Côté accès	Côté opposé à l'accès	Haut	Bas	Évacuer
150-175	1 po	1 po	4 po	12 po	6 po
200-400	1 po	1 po	5 po	12 po	7 po

① Prévoyez un espace suffisant autour de l'appareil de chauffage pour permettre une combustion correcte et le bon fonctionnement du ventilateur. La zone de dégagement autour de l'appareil de chauffage ne doit pas être inférieure à 1,5 fois la zone de retoulement de l'appareil.

Tableau 4.2 - Dégagements recommandés pour la maintenance

Modèle	Côté accès	Côté opposé à l'accès	Haut	Bas	Évacuer
150-175	18 po	18 po	6 po	22 po	6 po
200-400	18 po	18 po	6 po	22 po	7 po

Exigences en matière d'air de combustion
Le National Fuel Gas Code définit un "espace clos" comme un espace dont le volume est supérieur à 1,41 mètre cube (50 pieds cubes) par débit calorifique de 1000 Btu/h de l'appareil ou des appareils installés. Un espace offrant un volume de moins de 1,41 mètre cube (50 pieds cubes) par tranche de 1000 Btu/h de puissance calorifique installée est considéré comme un espace clos.

Pour les appareils installés dans des bâtiments hermétiquement fermés ou des espaces confinés, deux ouvertures permanentes doivent être prévues – une près du haut de l'espace confiné, l'autre près du bas. La surface de chaque ouverture doit être au minimum de 6,4 cm² pour 1 000 BTU par heure de la valeur nominale d'entrée totale de tous les appareils dans l'enceinte, et les ouvertures devront communiquer librement avec les zones intérieures auxquelles auront une infiltration adéquate de l'extérieur. Pour des détails sur l'apport d'air de combustion dans un espace confiné (hermétiquement fermé) ou non confiné, consultez le National Fuel Gas Code ANSI Z223.1 de CAN-B149.1 Installation Code, dernière édition.

Niveaux sonores et de vibrations

Tout équipement mécanique standard génère bruit et vibrations pouvant exiger une atténuation. Les bibliothèques, les bureaux privés et les hôpitaux exigent une atténuation acoustique supplémentaire, et dans ce cas, un consultant en acoustique devra être engagé pour vous faciliter la tâche. L'éloignement de l'équipement de la zone critique est souhaitable dans les limites imposées par les gaines. Généralement, un appareil doit être placé à 15 pi d'une poutre de soutènement principale. De légères déviations diminueront généralement la transmission de vibrations et de bruit.

PRÉCAUTIONS PARTICULIÈRES

PRÉCAUTIONS PARTICULIÈRES

LES INSTRUCTIONS D'INSTALLATION ET D'ENTRETIEN DE CE MANUEL DOIVENT ÊTRE RESPECTÉES POUR ASSURER UN FONCTIONNEMENT SÉCURITAIRE, EFFICACE ET SANS PROBLÈMES. IL CONVIENT ÉGALEMENT DE RESPECTER RIGOREUSEMENT LES PRÉCAUTIONS PARTICULIÈRES INDICÉES CI-APRÈS. LA NON-CONFORMITÉ À CES PRÉCAUTIONS PRIMORDIALES PEUT CAUSER DES DOMMAGES MATÉRIELS OU DES PERTES, DES BLESSURES OU LA MORT. CES INSTRUCTIONS SONT DONNÉES SOUS RÉSERVE DE DISPOSITIONS PLUS RESTRICTIVES DANS LES CODES LOCAUX OU NATIONAUX.

HIÉRARCHIE DES NIVEAUX DE RISQUES

- DANGER** : Indique un danger imminent qui, s'il n'est pas évité, entraînera INÉVITABLEMENT des blessures graves, voire mortelles.
- AVERTISSEMENT** : Indique un danger potentiel qui, s'il n'est pas évité, POURRAIT engendrer des blessures graves, voire mortelles.
- ATTENTION** : Indique un danger potentiel qui, s'il n'est pas évité, PEUT engendrer des blessures mineures ou modérées.
- IMPORTANT** : Indique une situation qui, si elle n'est pas évitée, PEUT poser un problème de sécurité.

! DANGER

Les appareils ne doivent pas être installés à un endroit où ils risquent d'être exposés à une atmosphère potentiellement explosive ou inflammable.

! AVERTISSEMENT

- Un système d'évacuation est obligatoire pour les appareils de chauffage au gaz – ne les faites jamais fonctionner sans évacuation des gaz.
- Un extracteur intégré assure la circulation des gaz – il est inutile ou interdit d'installer un dispositif d'extraction externe supplémentaire.
- Si un appareil de chauffage existant est remplacé, vous devrez peut-être redimensionner les systèmes d'évacuation des gaz. Un système de ventilation de diamètre insuffisant peut causer des retoulements de gaz brûlés ou la formation de condensat. Reportez-vous au National Fuel Gas Code ANSI Z223.1 ou à la dernière édition de la norme CSA B149.1. Le non-respect de ces instructions peut avoir des conséquences graves ou mortelles.
- Il est interdit d'accoupler deux longueurs de tuyau à double paroi dans une même installation d'évacuation horizontale à cause de l'impossibilité de vérifier l'étanchéité des raccords du tuyau intérieur.
- Toutes les tuyauteries de gaz extérieures doivent être soumises à des essais de pression et d'étanchéité avant la mise en marche. Ne recherchez jamais les fuites avec une flamme nue. Utilisez plutôt de l'eau savonneuse ou un produit équivalent.
- La pression de gaz au régulateur de l'appareil ne doit jamais dépasser 14 po c.e. (1/2 psi).
- Pour réduire les risques de condensation, le pouvoir calorifique minimum du gaz (au niveau de la mer) ne doit pas être inférieur de plus de 5 % à la valeur minimale nominale figurant sur la plaque signalétique de l'appareil ou de 5 % à la valeur la plus basse des appareils à double alimentation.
- Débranchez l'alimentation électrique avant de faire les connexions pour éviter les chocs électriques et les dommages à l'équipement.
- Tous les branchements et câblages doivent être faits en stricte conformité avec le schéma fourni avec l'appareil. Tout câblage différent de celui du schéma peut créer des risques de dommages matériels ou de blessures.
- Tout câblage usine d'origine exigeant un remplacement doit être remplacé par un câble d'indice thermique nominal de 105 °C.
- Assurez-vous que la tension d'alimentation n'est pas supérieure de plus de 5 % à la tension nominale inscrite sur la plaque de l'appareil.

! AVERTISSEMENT

- Pour l'entretien et les réparations de cet appareil, n'utilisez que des pièces approuvées par le fabricant. Pour la liste complète des pièces de rechange, adressez-vous au fabricant. Le numéro de modèle complet, le numéro de série et l'adresse du fabricant figurent sur la plaque signalétique fixée à l'appareil. Toute substitution de pièce ou de commande non approuvée par le fabricant sera aux risques du propriétaire.

! ATTENTION

- Toute la documentation livrée avec l'appareil doit être conservée pour référence lors des opérations d'entretien et de diagnostic des pannes. Ne jetez aucune documentation fournie avec cet appareil.
- Étudiez les instructions en matière de tuyauterie, de câblage électrique et d'évacuation des gaz de ce manuel avant d'effectuer l'installation finale.
- Ne raccordez pas les gaines, les filtres à air ou les faisceaux de tubes à un aérotherme.
- Les dégagements par rapport aux matériaux combustibles adjacents sont essentiels. Assurez-vous de respecter toutes les exigences mentionnées.
- Les appareils de chauffage sont conçus pour être utilisés dans des applications où la température ambiante de départ est comprise entre -40 et 90 °F et la température ambiante de fonctionnement entre 40 et 90 °F.
- L'appareil n'est pas conçu pour être installé à l'extérieur.
- Dans les garages ou dans d'autres sections des hangars d'aéronefs, comme les bureaux et les ateliers qui communiquent avec des endroits réservés à l'entretien ou à l'entreposage, le bas de l'appareil doit être placé à au moins 2,13 m (7 pi) du sol, sauf si vous installez aussi des protections adéquates pour éviter les contacts avec des pièces mobiles. Dans les stationnements, l'appareil doit être installé conformément à la norme relative aux structures de stationnement ANSI/NFPA 88A (dernière édition), et dans les garages de réparation, conformément à la norme NFPA 30A (dernière édition) (ex-NFPA 88B). Au Canada, l'installation d'appareils de chauffage dans des hangars d'aviation doit être effectuée conformément aux exigences de l'autorité de réglementation et, dans les garages publics, conformément aux codes courants CSA B149.
- Dans un hangar d'aviation, le bas de l'appareil doit être à au moins 10 pi au-dessus de la plus haute surface des ailes ou d'un capot moteur, pour l'avion le plus haut que le hangar accueille et doit respecter les prescriptions de l'autorité de réglementation et/ou de la norme NFPA 409, dernière édition.
- Si l'appareil est installé dans un environnement très humide ou salin, il sera soumis à une corrosion accélérée qui réduira sa durée de vie normale.
- N'installez pas les appareils à moins de 7 pi (distance mesurée entre le bas de l'appareil et le sol dans les applications commerciales), sauf s'ils sont équipés de barrières adéquates pour protéger l'utilisateur des composants en mouvement.
- Vérifiez qu'il n'y a pas d'obstacle devant la prise d'air et la sortie d'air chaud.
- La distance minimum des matières combustibles dépend de la température de surface de la matière combustible ne devant pas dépasser 71 °C. Au-dessus de l'appareil, il faudra peut-être laisser un dégagement supérieur au minimum spécifié si des matériaux placés au-dessus de l'appareil à la température indiquée risquent de subir des dommages thermiques, autres que le feu.
- Prévoyez un dégagement de 18 po à l'arrière (ou de 12 po au-delà de l'extrémité du moteur, à l'arrière de l'appareil, selon la plus grande des deux valeurs), et du côté de la porte d'accès pour assurer assez d'air au bon fonctionnement du ventilateur.

MANUEL D'INSTALLATION ET DE MAINTENANCE appareils de chauffage alimentés au gaz à ventilation électrique modèles PDP et BDP



Tous les modèles sont approuvés pour une utilisation en Californie par le CEC et au Massachusetts. L'appareil de chauffage est certifié pour les applications non résidentielles.

L'utilisation et le stockage d'essence ou d'autres vapeurs et liquides inflammables dans des récipients ouverts à proximité de cet appareil sont dangereux.

POUR VOTRE SÉCURITÉ

Ce manuel est spécifiquement destiné au personnel d'une entreprise d'installation et d'entretien qualifiée. Toutes les opérations d'installation et d'entretien doivent être confiées à une entreprise qualifiée.

IMPORTANT

Inspection à la réception

1. Inspectez l'appareil à la livraison. Signalez immédiatement tout dommage au transporteur et avisez le représentant commercial local de votre région.
2. Vérifiez la plaque signalétique pour déterminer si les caractéristiques de l'appareil correspondent au secteur électrique disponible au point d'installation.
3. Inspectez l'appareil à la réception pour vous assurer qu'il est conforme à la description du produit commandé (y compris aux spécifications, s'il y a lieu).

Table des matières

1	Inspection à l'arrivée
2	Précautions spéciales
3	Facteurs de conversion métrique (SI)
3	Avant de commencer
4	Emplacement d'installation
4	Matériaux combustibles et dégagements
4	Montage de l'appareil
5	Installation
6	Ventilation
6	Raccordements au gaz
10	Ensemble d'accessoires pour haute altitude
11	Électricité
13	Procédure de démarrage/mode d'emploi
15	Éléments constitutifs
18	Données de performance – Généralités
19	Données de performance – Hottes orientées vers le bas
22	Dimensions
24	Maintenance/dépannage
26	Désignation des numéros de modèle/série
29	Garantie commerciale
	Couverture arrière

CE MANUEL DOIT ÊTRE REMIS AU PROPRIÉTAIRE DE L'INSTALLATION.
N'OUBLIEZ PAS DE LE LAISSER AU PROPRIÉTAIRE EN QUITTANT LE CHANTIER.

SI VOUS SENTEZ UNE ODEUR DE GAZ :

POUR VOTRE SÉCURITÉ

1. Ouvrez les fenêtres.
2. Ne tentez d'allumer aucun autre appareil.
3. Ne touchez pas aux interrupteurs électriques et n'utilisez aucun téléphone dans votre édifice.
4. Éteignez toute flamme nue.
5. Appelez immédiatement votre compagnie de gaz depuis le téléphone d'un voisin. Suivez les instructions de la compagnie de gaz. Si vous ne pouvez pas contacter votre compagnie de gaz, appelez les pompiers.

AVERTISSEMENT

1. Une installation, des réglages, des modifications ou un entretien inappropriés peuvent causer des dommages matériels, des blessures ou la mort, ainsi que l'exposition à des substances reconnues par divers organismes officiels comme causant des cancers, des malformations congénitales ou des anomalies du système reproducteur. Lisez attentivement les instructions d'installation, d'utilisation et d'entretien avant d'installer ou d'entretenir cet appareil.
2. AUCUN appareil fonctionnant au gaz ne devrait être installé dans des locaux dont l'atmosphère contient des vapeurs chlorées, halogénées ou acides. Ces substances peuvent causer une défaillance prématurée de l'échangeur de chaleur, en raison de la corrosion, laquelle peut provoquer des dommages matériels, des blessures graves ou même la mort.

