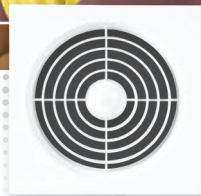




A brand of **legrand**

VENTILATION SOLUTIONS



**STRONG
RELIABLE
QUIET**

WHY VENTILATION IS SO IMPORTANT

It is important to understand what contributes to poor indoor air quality and the potential affects and harm that can be caused by poor ventilation in a home. Poor ventilation can cause a number of problems such as condensation, mould, allergies, dust mites and air pollutants (odours). These can potentially lead to structural building issues and health problems for residents. A properly ventilated home can create a safe, comfortable and healthier environment.



MOISTURE that is not properly ventilated can cause mildew and mold formation, which can potentially lead to structural and health problems. Exhaust ventilation solutions from HPM remove humidity at the source to help maintain the optimal humidity balance of 40 to 60 percent.



OFF-GASSING from construction materials, carpeting, adhesives and synthetic materials—as well as solvents from common household cleaners—can accumulate in tightly built homes.

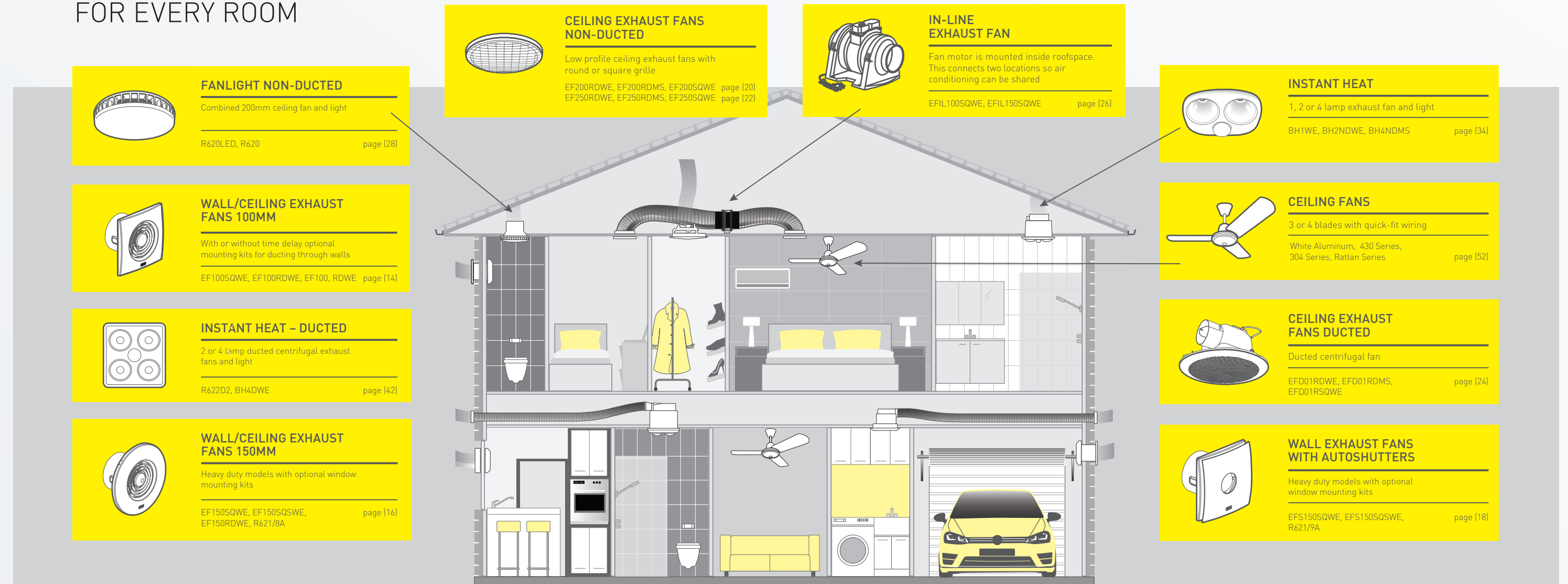


PARTICULATES from dust, allergens, pet dander, and more can contribute to poor indoor air quality up to 100 times dirtier than outside air. With a properly ventilated home, you create a more enjoyable, comfortable, and healthier environment.



COOKING EFFLUENTS from food preparation can infiltrate the whole house in minutes. Grease, oils and aromas settle permanently into carpets, furniture, clothing and other surfaces. Kitchen ventilation solutions help eliminate cooking effluents for a cleaner, more comfortable and healthier environment.

VENTILATION SOLUTIONS FOR EVERY ROOM



FANLIGHT NON-DUCTED
Combined 200mm ceiling fan and light
R620LED, R620 page [28]

CEILING EXHAUST FANS NON-DUCTED
Low profile ceiling exhaust fans with round or square grille
EF200RDWE, EF200RDMS, EF200SQWE page [20]
EF250RDWE, EF250RDMS, EF250SQWE page [22]

IN-LINE EXHAUST FAN
Fan motor is mounted inside roofspace. This connects two locations so air conditioning can be shared
EFIL100SQWE, EFIL150SQWE page [26]

INSTANT HEAT
1, 2 or 4 lamp exhaust fan and light
BH1WE, BH2NDWE, BH4NDMS page [34]

WALL/CEILING EXHAUST FANS 100MM
With or without time delay optional mounting kits for ducting through walls
EF100SQWE, EF100RDWE, EF100, RDWE page [14]

CEILING FANS
3 or 4 blades with quick-fit wiring
White Aluminum, 430 Series, 304 Series, Rattan Series page [52]

INSTANT HEAT – DUCTED
2 or 4 lamp ducted centrifugal exhaust fans and light
R622D2, BH4DWE page [42]

CEILING EXHAUST FANS DUCTED
Ducted centrifugal fan
EFD01RDWE, EFD01RDMS, EFD01RSQWE page [24]

WALL/CEILING EXHAUST FANS 150MM
Heavy duty models with optional window mounting kits
EF150SQWE, EF150SQSWE, EF150RDWE, R621/BA page [16]

WALL EXHAUST FANS WITH AUTOSHUTTERS
Heavy duty models with optional window mounting kits
EFS150SQWE, EFS150SQSWE, R621/9A page [18]



INSTANT HEAT



INSTANT HEAT SINGLE LAMP NON-DUCTED

Perfect for ensembles and small bathrooms, this handy single heat lamp can help ward off the shivers in those cold months. The infrared heat lamps provide a focused source of fast, radiant heat making them ideal to be placed directly over the drying area for optimal heating performance.



BH1WE

Main applications

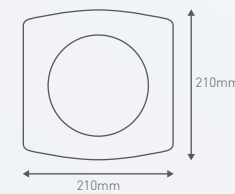
Perfect for small bathrooms, toilets or ensembles



BH1MS

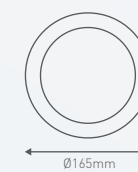
	BH1WE/BH1MS	R615
Heat lamps	1 x 275W	1x 275W
Max power consumption	375W	275W
Frequency	50Hz	50Hz
Supply voltage	230 – 240V a.c	230 – 240V a.c
Thermal overload protection	100°C	N/A
Required ceiling depth	>300mm	>300mm
Weight	950g	750g
Product codes	White Matt Silver White	BH1WE BH1MS R615

BH1WE and BH1MS



CUT-OUT

R615



CUT-OUT



R615



↓↓↓
**INSTANT
POWERFUL
HEATING**
275W HEAT LAMP

SAFE
THERMAL
OVERLOAD
PROTECTION

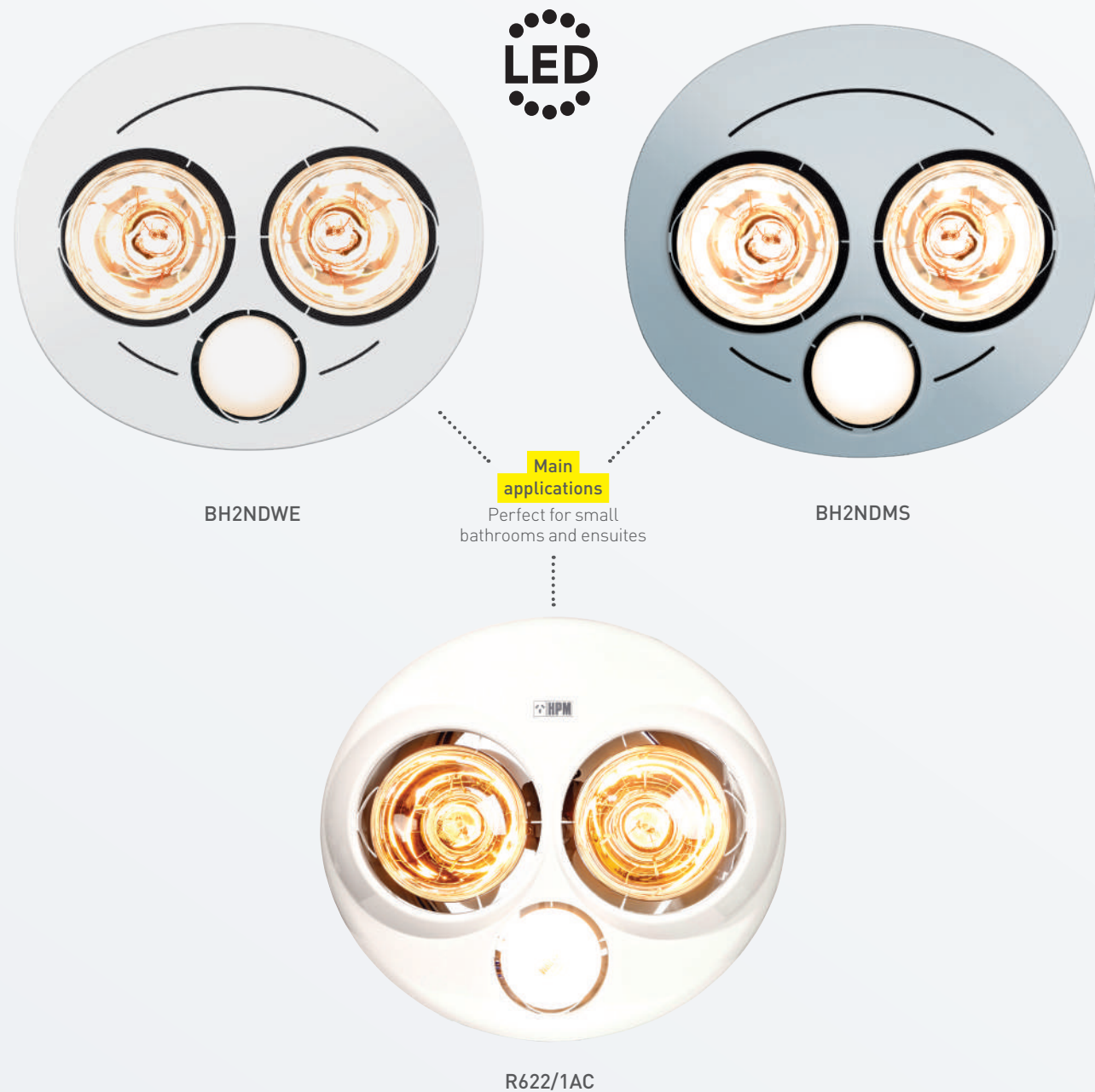
**5 YEAR
WARRANTY**



INSTANT HEAT 3-IN-1 NON-DUCTED

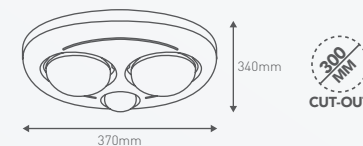
TWO LAMPS

The Instant Heat 3-in-1 combines lighting, heating and ventilation in one stylish unit. The heat lamps, exhaust fan and centre light can be used separately or together to create the perfect bathroom environment. While the heat lamps produce instant heat, the centre light provides general illumination and the exhaust fan extracts steam and moisture.

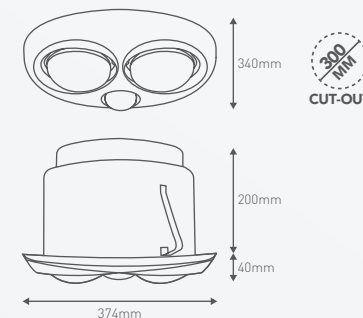


	BH2NDWE/ BH2NDMS	R622/1AC
Centre Light	7W LED R80 E27 600 lm	100W ES
Heat lamps	2 x 275W	2 x 275W
Exhaust fan	240mm axial	240mm axial
Max power consumption	690W	690W
Frequency	50Hz	50Hz
Supply voltage	230 – 240V a.c	230 – 240V a.c
Motor rating	40W	40W
Maximum airflow	240m ³ /h	240m ³ /h
Required ceiling depth	>500mm	>500mm
Weight	3.3kg	3.3kg
Inclusions	Excel Life 3-gang switch engraved HEAT, FAN, LIGHT	Excel 3-gang switch engraved HEAT, FAN, LIGHT
Product codes	White Fascia BH2NDWE Matt Silver Fascia BH2NDMS White Fascia R622/1AC	

BH2NDWE and BH2NDMS



R622/1AC



INSTANT POWERFUL HEATING
 2 x 275W HEAT LAMPS

UP TO MAX AIRFLOW
 240m³/h
5 YEAR WARRANTY



INSTANT HEAT 3-IN-1 NON-DUCTED

FOUR LAMPS

Relish the toasty comfort of four heat lamps for keeping warm in the cooler months. The heat lamps, exhaust fan and light in this stylish unit can be used together or separately so you can create the perfect environment, whatever the reason or season.

INSTANT POWERFUL HEATING
 4 x 275W HEAT LAMPS

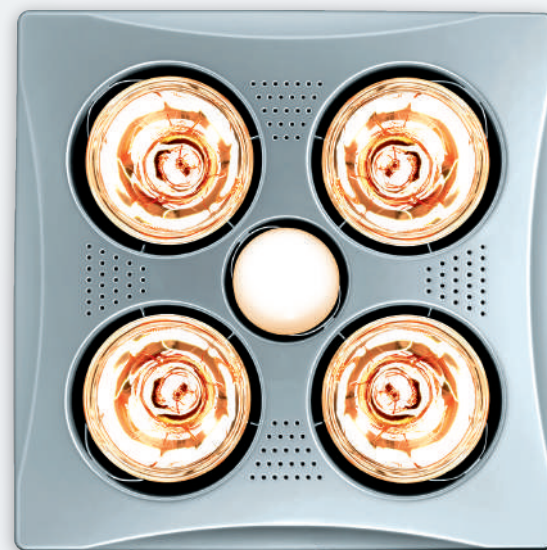
UP TO MAX AIRFLOW
 400m³/h

5 YEAR WARRANTY



BH4NDWE

Main applications
Perfect for medium-large bathrooms



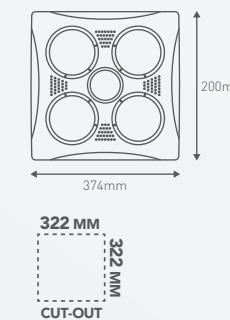
BH4NDMS



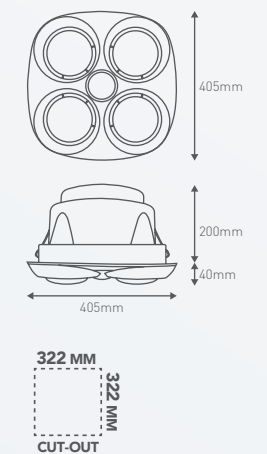
R622/2AC

	BH4NDWE/ BH4NDMS	R622/2AC
Centre Light	7W LED R80 E27 600 lm	100W ES
Heat lamps	4 x 275W	4 x 275W
Exhaust fan	230mm axial	230mm axial
Max power consumption	1240W	1240W
Frequency	50Hz	50Hz
Supply voltage	230 – 240V a.c	230 – 240V a.c
Motor rating	40W	40W
Maximum airflow	390m³/h	390m³/h
Required ceiling depth	>500mm	>500mm
Weight	4.5kg	4.5kg
Inclusions	Excel Life 4-gang switch engraved HEAT, HEAT, FAN, LIGHT	Excel 4-gang switch engraved HEAT, HEAT, FAN, LIGHT
Product codes	White Fascia Matt Silver Fascia White Fascia	BH4NDWE BH4NDMS R622/2AC

BH4NDWE and BH4NDMS



R622/2AC



INSTANT HEAT 3-IN-1 DUCTED TWO LAMPS

A combination of light, heater and ducted exhaust fan perfect for smaller bathrooms and ensuites. Ducting to the outside prevents condensation damage to the ceiling.



BH2DWE



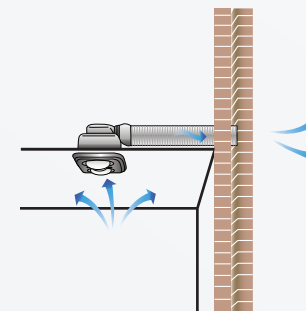
R622D1



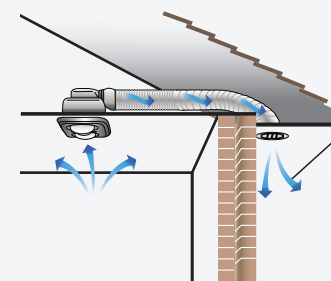
Main applications

Perfect for small bathrooms and ensuites

INSTALLATION



Multi storey application

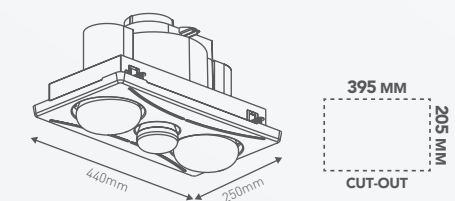


Standard roof application

INSTANT POWERFUL HEATING
 2 x 275W HEAT LAMPS
UP TO MAX AIRFLOW
 180m³/h
DUCTING KIT INCLUDED
5 YEAR WARRANTY

	BH2DWE	R622D1
Centre Light	7W LED R80 E27	60W Incandescent lamp
Heat lamps	2 x 275W	2 x 275W
Exhaust fan	Centrifugal	Centrifugal
Max power consumption	840W	630W
Frequency	50Hz	50Hz
Supply voltage	230 – 240V a.c	230 – 240V a.c
Motor rating	50W	16W
Maximum airflow	180m ³ /h with 3m x Ø150mm diameter ducting	95m ³ /h with 3m x Ø100mm diameter ducting
Thermal overload protection	100°C	N/A
Required ceiling depth	>300mm	>220mm
Draft stopper built-in	Yes	Yes
Weight	4.3kg	3.0kg
Inclusions	Excel Life 3-gang switch engraved HEAT, FAN, LIGHT. 3m x Ø150mm duct, external grille, duct tape and cable ties	Excel 3-gang switch engraved HEAT, FAN, LIGHT. 3m x Ø100mm duct, external grille, duct tape and cable ties
Product codes	White Fascia 2 lamp	BH2DWE
	White Fascia 2 lamp	R622D1

BH2DWE



INSTANT HEAT 3-IN-1 DUCTED FOUR LAMPS

A combination of light, heater and ducted exhaust fan perfect for larger bathrooms and ensuites. Ducting to the outside prevents condensation damage to the ceiling.



BH4DWE

Main applications
Perfect for larger bathrooms and ensuites



R622D2

INSTANT POWERFUL HEATING
2 x 275W HEAT LAMPS

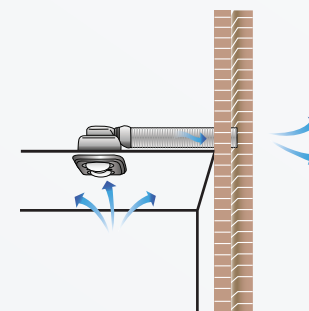
UP TO MAX AIRFLOW
240m³/h

DUCTING KIT INCLUDED

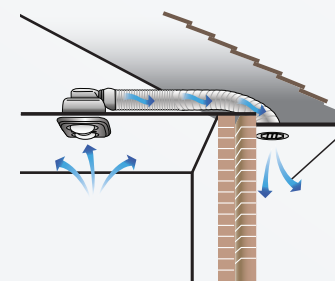
5 YEAR WARRANTY

	BH4DWE	R622D2
Centre Light	7W LED R80 E27	100W R80 Incandescent lamp
Heat lamps	4 x 275W	4 x 275W
Exhaust fan	Centrifugal	Centrifugal
Max power consumption	1570W	1240W
Frequency	50Hz	50Hz
Supply voltage	230 – 240V a.c	230 – 240V a.c
Motor rating	50W	30W
Maximum airflow	180m³/h with 3m x Ø150mm diameter ducting	135m³/h with 3m x Ø100mm diameter ducting
Thermal overload protection	100 °C	N/A
Required ceiling depth	>300mm	>260mm
Draft stopper built-in	Yes	Yes
Weight	5.2kg	4.5kg
Inclusions	Excel Life 4-gang switch engraved HEAT, HEAT, FAN, LIGHT 3m x Ø150mm duct, external grille, duct tape and cable ties	Excel 4-gang switch engraved HEAT, HEAT, FAN, LIGHT 3m x Ø100mm duct, external grille, duct tape and cable ties
Product codes	White Fascia 4 lamp	BH4DWE
	White Fascia 4 lamp	R622D2

INSTALLATION

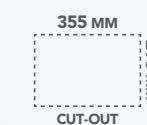
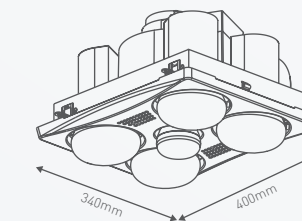


Multi storey application

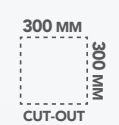
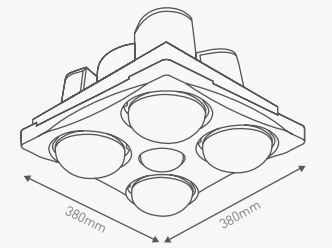


Standard roof application

BH4DWE



R622D2



POSITIONING OF INSTANT HEAT & TIPS

It is important to consider the wet areas of a room when you place an instant heater in a bathroom or ensuite. For safety reasons, there are a few rules to follow when installing an exhaust fan close to a shower:

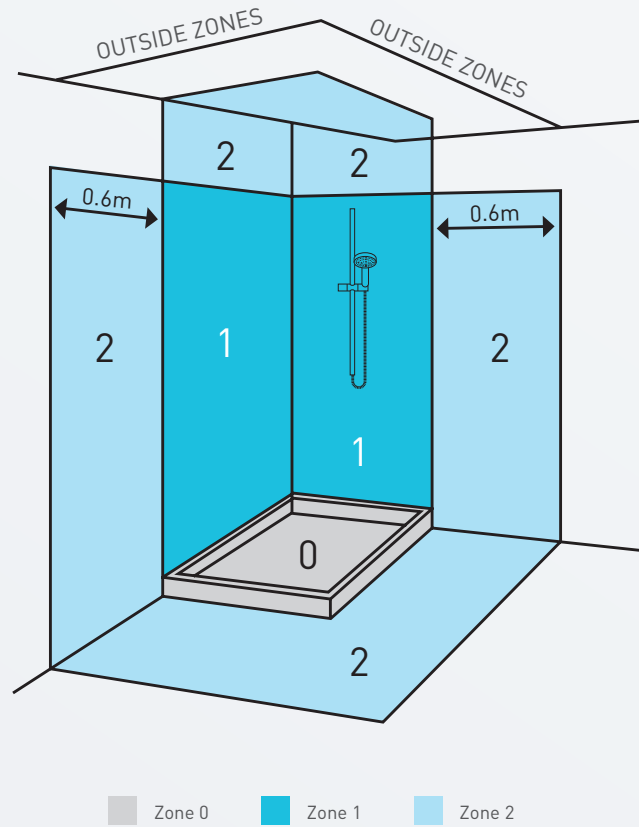
1. It is necessary to respect zones of installations

- Zone 0:** This is the interior of the bathtub or shower basin
- Zone 1:** This extends above zone 0 and around the perimeter of the bath or shower basin to 2.25m for NZ and 2.5m for Australia above the floor level
- Zone 2:** This extends 600mm beyond Zone 1 and to a height of 2.25m for NZ and 2.5m for Australia above floor level

Where possible we recommended your fan is not installed directly above the shower/bath as condensation may occur causing dripping.

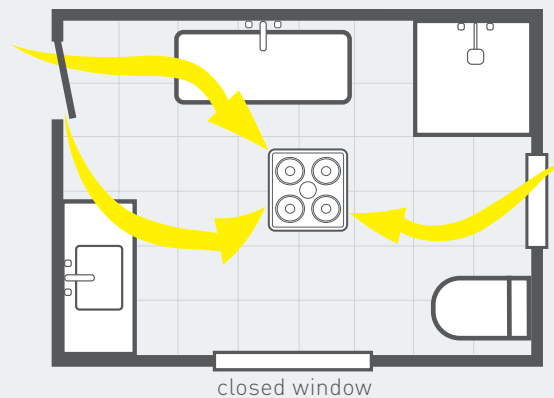
Note: Example shown is typical only. Consult AS/NZS 3000 for full definition of installation zones in wet areas.

2. You MUST have your exhaust fan vented /ducted horizontally to an eave AND must have an open window or 20mm off the base of a door to allow cross ventilation.



TIPS

- Choose the position where your heat lamp will be installed carefully.
- It is recommended to place the heater in the middle of the room for it not to be near the wet areas
- You should also position the heater directly to the place where you will be standing when you will need the heat after you have left your bath or shower
- Instant heat should be cleaned every 6 months or more often to prevent dust buildup



Heat lamps are not designed to heat entire rooms, but to provide instant and focused heat directly below. Position an Instant Heat directly over the drying area for optimal heat performance.

The exhaust fan in the Instant Heat requires a balanced air flow to perform at maximum efficiency. This means there needs to be air flowing into the room from sources such as windows, vents or under doors to allow a cross flow of air movement.

RANGE OVERVIEW

CAT. NO	DESCRIPTION	FINISH COLOUR	DUCTED	MOTOR RATING	MAX POWER CONSUMPTION	HEAT LAMPS	EXHAUST FAN TYPE	MAX AIR FLOW
BH1WE	Single Lamp Instant Heat	White	No	N/A	375W	1 x 275W	N/A	N/A
BH1MS	Single Lamp Instant Heat	Matt Silver	No	N/A	375W	1 x 275W	N/A	N/A
R615	Single Lamp Instant Heat	White	No	N/A	275W	1 x 275W	N/A	N/A
BH2NDWE	2-lamp non-ducted	White Fascia	No	40W	690W	2 x 275W	Axial	240m ³ /h
BH2NDMS	2-lamp non-ducted	Matt Silver Fascia	No	40W	690W	2 x 275W	Axial	240m ³ /h
R622/1AC	2-lamp non-ducted	White Fascia	No	40W	690W	2 x 275W	N/A	250m ³ /h
BH4NDWE	4-lamp non-ducted	White Fascia	No	40W	1240W	4 x 275W	Axial	390m ³ /h
BH4NDMS	4-lamp non-ducted	Matt Silver Fascia	No	40W	1240W	4 x 275W	Axial	390m ³ /h
R622/2AC	4-lamp non-ducted	White Fascia	No	40W	1240W	4 x 275W	N/A	400m ³ /h
BH2DWE	2-lamp ducted	White Fascia	Yes	50W	840W	2 x 275W	Centrifugal	180m ³ /h
BH2DMS	2-lamp ducted	Matt Silver Fascia	Yes	50W	840W	2 x 275W	Centrifugal	180m ³ /h
BH4DWE	4-lamp ducted	White Fascia	Yes	50W	1570W	4 x 275W	Centrifugal	180m ³ /h
BH4DMS	4-lamp ducted	Matt Silver Fascia	Yes	50W	1570W	4 x 275W	Centrifugal	180m ³ /h
R622D2	4-lamp ducted	White Fascia	Yes	30W	1240W	4 x 275W	Centrifugal	240m ³ /h