

ATTIX 50 PC, XC, EC, Clean Room

Model:
ATTIX 50-01 PC
ATTIX 50-21 XC
ATTIX 50-21-PC



Part List US-English

27-05-2012

Nilfisk
ALTO
works for you

www.nilfisk-alto.com

Table of Contents

ATTIX 50 PC, XC, EC, Clean Room

Cabinet Push Clean & Basic & XC	3
Cabinet EC and Clean Room	6
Filtersystem Push Clean & Basic	8
Filtersystem XC	10
Motor Basic and Push Clean	12
Motor XC	14
Motor EC and Clean Room	16
Container ATTIX 50	18
Default accessories	20
RECOMMENDED SPARE PARTS	22

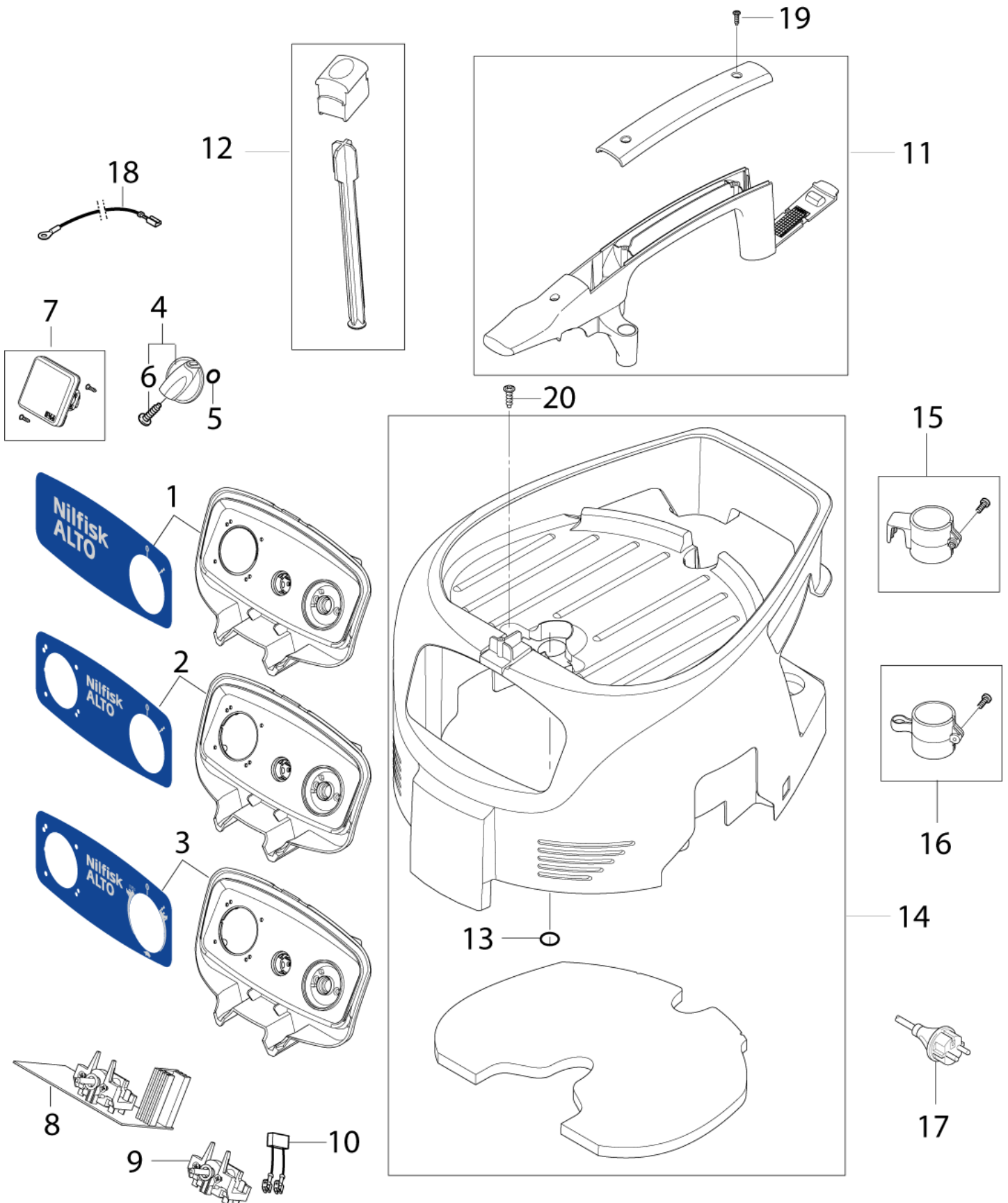
Cabinet Push Clean & Basic & XC

ATTIX 50 PC, XC, EC, Clean Room

27-05-2012

Part List ID
ATTIX3002

3



Cabinet Push Clean & Basic & XC

ATTIX 50 PC, XC, EC, Clean Room

27-05-2012

Part List ID
A111X3002

4

Pos	Part no.	Qty	Description	
0	302003502	1	BOX KIT ATTIX 30	
0	302003503	1	BOX KIT ATTIX 40	
1	302004047	1	SWITCHBOX NILFISK-ALTO 01PC	
2	302004048	1	SWITCHBOX NILFISK-ALTO 11PC	
3	302004049	1	SWITCHBOX NILFISK-ALTO 21PC	for Push clean and XC
4	909100204	1	ROTARY KNOB 6X5 BLUE	
5	9868	1	O-RING 10.2X2.5 NBR 70	
6	32526	1	TREAD-CUTTING SCREW 2.9X19 C ISO 1483 ZN	
7	107400057	1	SOCKET 16A/110V GB	
7	107400058	1	SOCKET 16A/250V GB	
7	107400059	1	SOCKET 16A/250V CH	
7	107400060	1	SOCKET 16A/250V DK	
7	302004034	1	SOCKET 16A/250V EU	
7	302004036	1	SOCKET 16A/250V FR	
7	302004338	1	SOCKET 15A/125V US/CSA	
8	107400260	1	AUTO ON-OFF PCB XC 230-240V	230-240V
8	107400261	1	AUTO ON-OFF PCB XC 100-120V	100-120V
8	302004011	1	AUTO ON-OFF SWITCH ELECTRONIC	for -21 PC
8	302004060	1	AUTO ON-OFF SWITCH E.SOFTSTART	for -11 PC & -01 PC with softstart
9	302004035	1	ON-OFF SWITCH	for -01 PC without softstart
10	48338	1	ANTI-INTERFERENCE CAPACITOR	
11	107400062	1	HANDLE	for Push clean
11	302004050	1	HANDLE	Basic/XC
12	302004051	1	FILTER DEDUSTER	Only Push Clean models
13	302004061	1	O-RING 25X2 NBR 70	
14	107400061	1	COVER BLACK XC BASIC	
14	302004046	1	COVER BLACK PC	
15	302004027	1	TUBE HOLDER HOOK	
16	107400064	1	TUBE HOLDER SNAP	
17	107400266	1	CORD H05RR-F 2X0.75 CH	
17	107400267	1	CORD H05RR-F 3G1.0 CH	
17	107400268	1	CORD H05RR-F 2X0.75 GB	
17	107400270	1	CORD H05RR-F 3G1.5 BS1 363 GB	
17	107400271	1	CORD H07BQ-F 3G2.5 GB	
17	107400272	1	CORD H05RR-F 3G1.5 ZA	
17	107402641	1	POWER CORD H05RR-F 3G1.5X8X2	
17	107402642	1	POWER CORD H05RR-F 3G1.0X8.2	
17	107402644	1	POWER CORD H05RR-F2X0.75X8.25	
17	302000882	1	POWER CORD SJTW-AWG16/3X8	
17	302004014	1	CORD H07RN-F2X1X8.05 CEE7 EU	
17	302004038	1	POWER CORD H07RN-F2X1X8.05	
17	302004039	1	CORD H05RR-F3GX0.75AS3112 AUNZ	
17	302004040	1	CORD SJTW-A AWG16/2 JP	

Cabinet Push Clean & Basic & XC

ATTIX 50 PC, XC, EC, Clean Room

27-05-2012

Part List ID
A111X3002

5

Pos	Part no.	Qty	Description
18	107400263	1	WIRE 2.5 X 250 YE/GR 100-120V
18	107400264	1	WIRE 1 X 150 220-240V
19	302004032	1	SCREW 3.5X18
20	302004029	1	SCREW 5X18

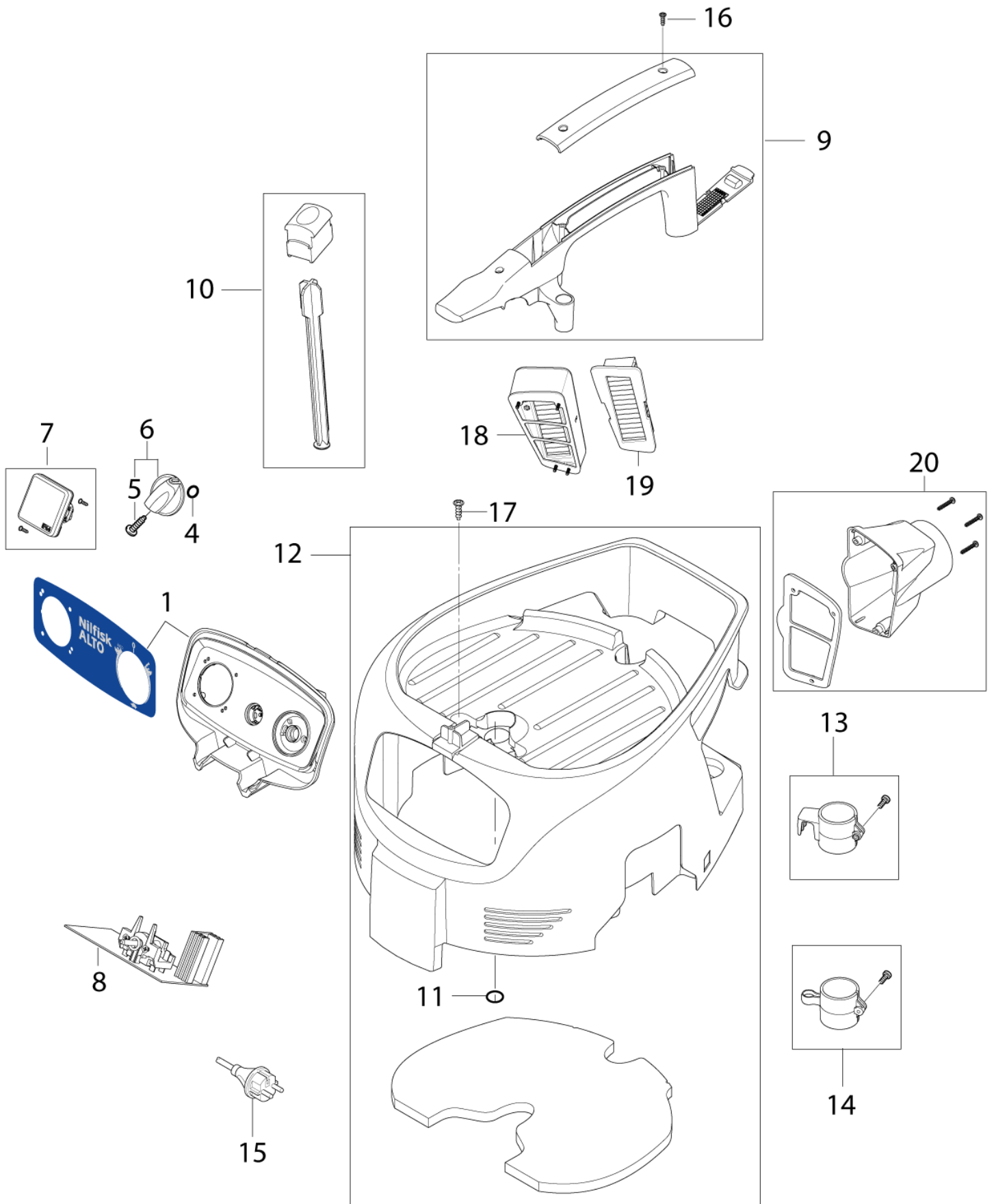
Cabinet EC and Clean Room

ATTIX 50 PC, XC, EC, Clean Room

27-05-2012

Part List ID
ATTIX5012

6



Cabinet EC and Clean Room

ATTIX 50 PC, XC, EC, Clean Room

27-05-2012

Part List ID
A111X5012

7

Pos	Part no.	Qty	Description	
1	302004049	1	SWITCHBOX NILFISK-ALTO 21PC	
4	9868	1	O-RING 10.2X2.5 NBR 70	
5	32526	1	TREAD-CUTTING SCREW 2.9X19 C ISO 1483 ZN	
6	909100204	1	ROTARY KNOB 6X5 BLUE	
7	302004034	1	SOCKET 16A/250V EU	
8	107400730	1	ELECTRONICS 21 PC EC 230V SET1	
9	107400062	1	HANDLE	
10	302004051	1	FILTER DEDUSTER	
11	302004061	1	O-RING 25X2 NBR 70	
12	302004046	1	COVER BLACK PC	
13	302004027	1	TUBE HOLDER HOOK	
14	107400064	1	TUBE HOLDER SNAP	
15	107402641	1	POWER CORD H05RR-F 3G1.5X8X2	
16	302004032	1	SCREW 3.5X18	
17	302004029	1	SCREW 5X18	
18	302003721	1	MOTOR COOLING FILTER KIT	Only Clean Room
19	107400453	1	FILTER FOR MOTOR COOLING 30/40/50	Only Clean Room
20	302003717	1	EXHAUST AIR COLLECTOR	Only Clean Room

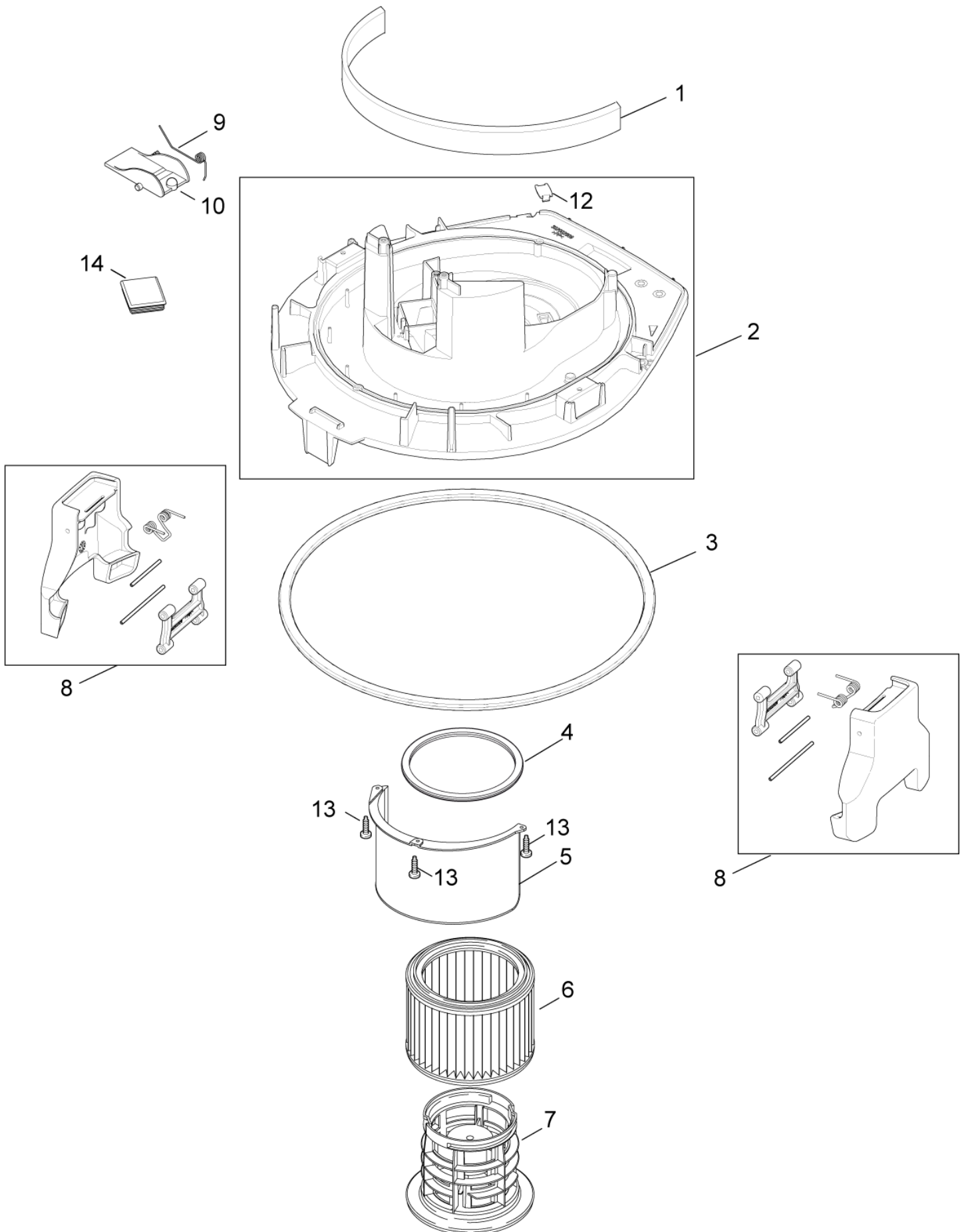
Filtersystem Push Clean & Basic

ATTIX 50 PC, XC, EC, Clean Room

27-05-2012

Part List ID
ATTIX3003

8



Filtersystem Push Clean & Basic

ATTIX 50 PC, XC, EC, Clean Room

27-05-2012

Part List ID
A111X3003

9

Pos	Part no.	Qty	Description
1	302004010	1	SOUND INSULATION FRONT
2	302004007	1	BASEPLATE PC
3	107400056	1	GASKET FOR CONTAINER ATTIX 50
3	302004008	1	GASKET FOR CONTAINER ATTIX 30
4	302000460	1	GASKET FILTER
5	302004016	1	DEFLECTOR
6	302000490	1	FILTER ELEMENT D185X140 PET M-CLASS
6	302000658	1	FILTER ELEMENT D211X140 H-CLASS FOR ATTIX 50-21 PC CLEAN ROOM
6	302001095	1	FILTER ELEMENT D185X140 HEPA HEPA
7	107402646	1	FILTER SUPPORT CAGE ATTIX PP
8	107400301	2	CONTAINER CLAMP * SEE NOTE
9	909100083	1	TORSION SPRING D0.9X18X45 INOX
10	302000344	1	FLAP 79X53X25 ATTIX 30
12	107401937	1	PLUG BASE PLATE KIT For machines up to week 35.2011
13	302004029	1	SCREW 5X18
14	302004058	1	PLUG FOR BASIC

* NOTE TSB Vac-092 clamp and container

For machines produced before serial number 09110030030 use Container upgrade kit 107400311, ATTIX 30 or

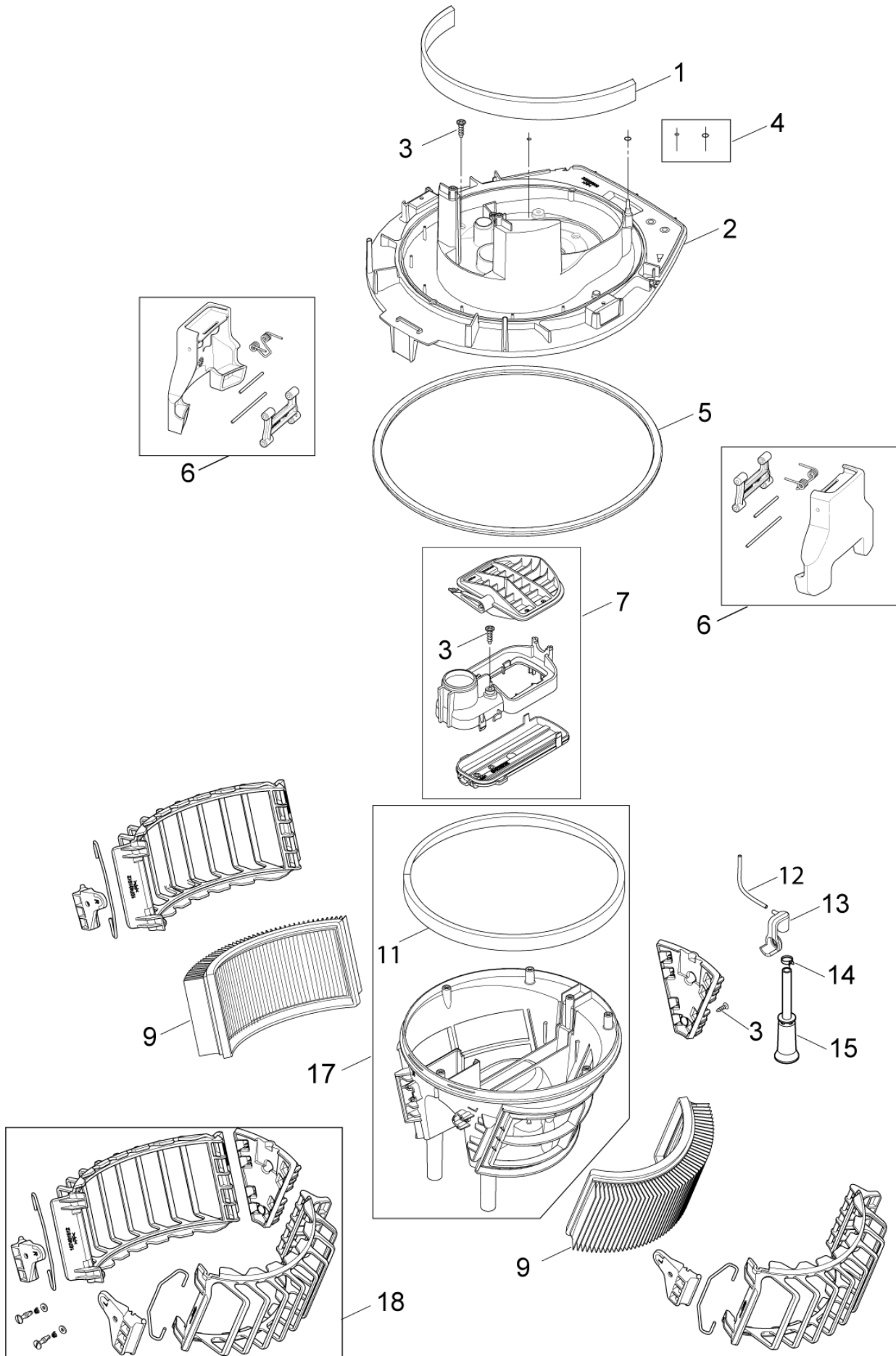
Filtersystem XC

ATTIX 50 PC, XC, EC, Clean Room

27-05-2012

Part List ID
ATTIX50XC10

10



Filtersystem XC

ATTIX 50 PC, XC, EC, Clean Room

27-05-2012

Part List ID
A111X50XC10

11

Pos	Part no.	Qty	Description
1	302004010	1	SOUND INSULATION FRONT
2	107400300	1	BASEPLATE XC
3	302004029	9	SCREW 5X18
4	107400274	1	O-RING XC KIT
5	107400056	1	GASKET FOR CONTAINER
6	107400301	2	CONTAINER CLAMP
7	107400277	1	CX FLAP KIT
9	302002842	2	FLAT FILTER PET NANO M-CLASS SET 2 PCS
11	107400283	1	SEALING FOR XC
12	107400855	1	HOSE D3X1.5 TURBINE SIDE XC
13	107400310	1	MOUNT FOR WATERLEVEL CONTROL
14	107400285	1	BAND CLAMP FITTING
15	107400303	1	HOSE D42X155 FILL LEV. SHUTOFF
17	107400302	1	FILTERBRACKET XC
18	107402255	1	FILTER MOUNTING KIT XC

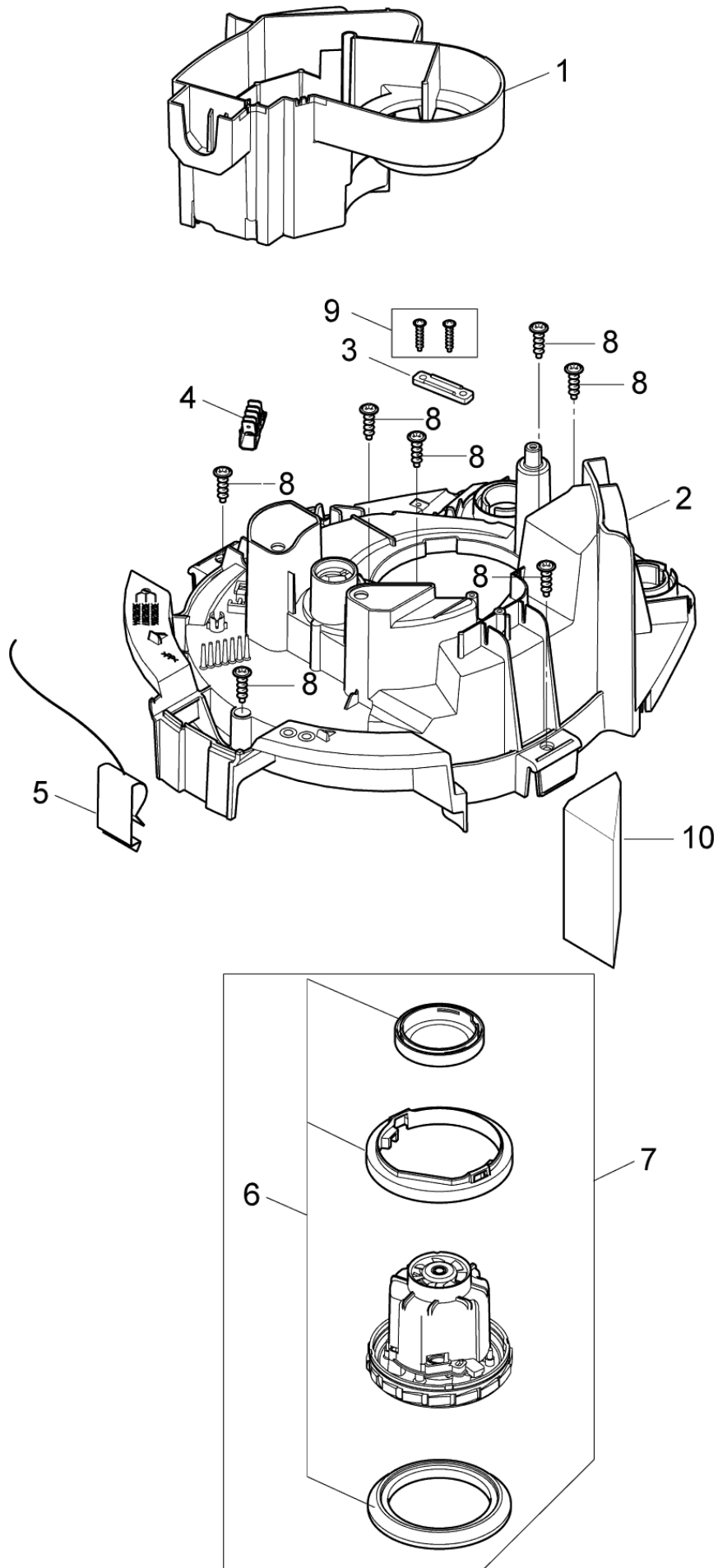
Motor Basic and Push Clean

ATTIX 50 PC, XC, EC, Clean Room

27-05-2012

Part List ID
ATTIX3005

12



Motor Basic and Push Clean

ATTIX 50 PC, XC, EC, Clean Room

27-05-2012

Part List ID
A11IX3005

13

Pos	Part no.	Qty	Description
1	302004015	1	AIRGUIDE * See note
2	302004009	1	CLAMPINGPLATE PC
3	302004030	1	STRAP FOR CABLE
4	302004031	1	DISTRIBUTION STRIP 6-POL 16A
5	302004023	1	CONTACT SPRING
6	302003385	1	SEALING KIT R
7	302003384	1	MOTOR KIT 1200W 230V
7	302003388	1	MOTOR KIT 1000W 120V
7	302004006	1	MOTOR 1200W/100V JP W.GASKET
8	302004029	1	SCREW 5X18
9	302004032	1	SCREW 3.5X18
10	302004045	1	SOUND INSULATION OUTLET

* Note: During service or repair of vacuum head always change Airguide 302004015 and Cover for air circuit 107401051

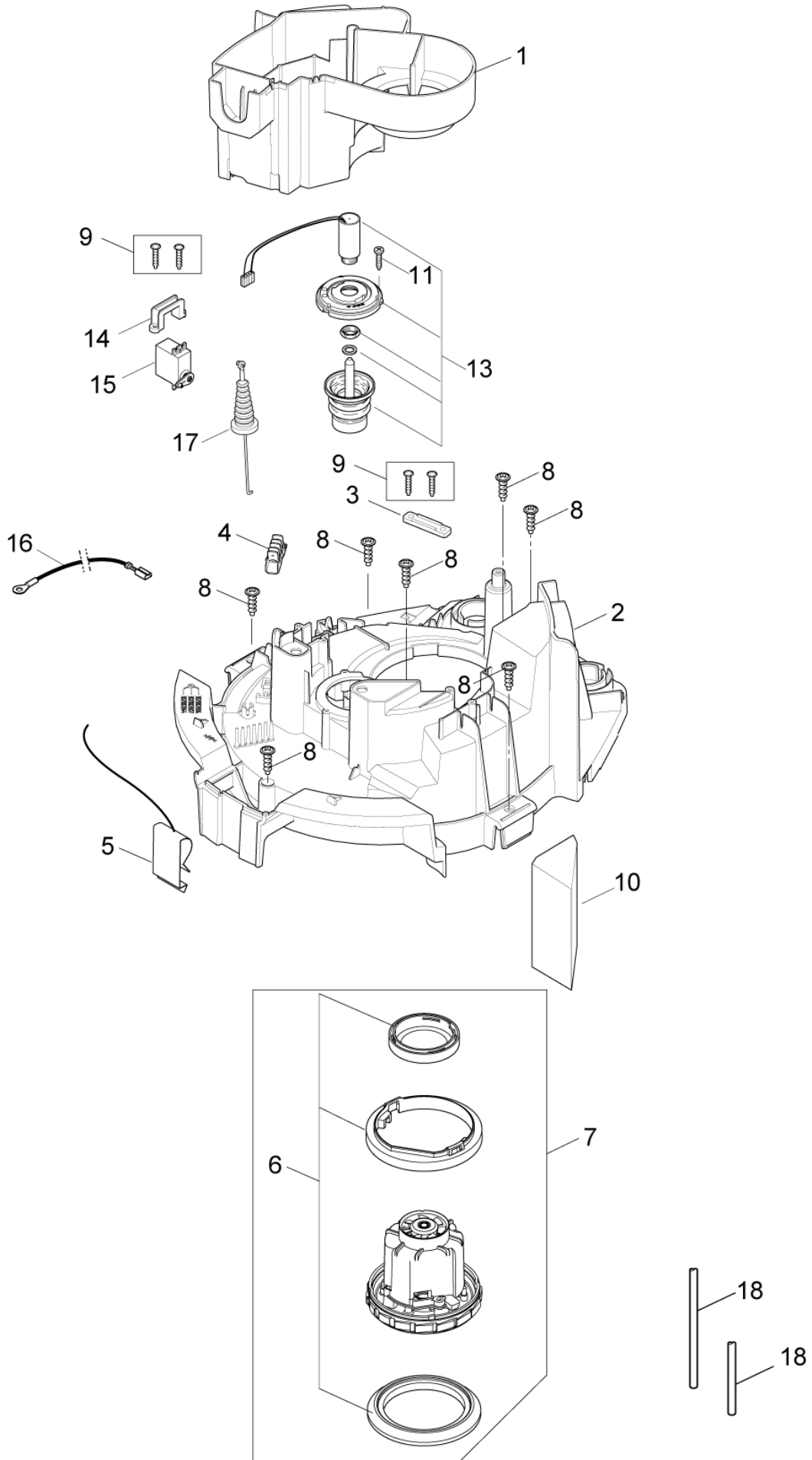
Motor XC

ATTIX 50 PC, XC, EC, Clean Room

27-05-2012

Part List ID
ATTIX3007

14



Motor XC

ATTIX 50 PC, XC, EC, Clean Room

27-05-2012

Part List ID
A111X3007

15

Pos	Part no.	Qty	Description
1	302004015	1	AIRGUIDE * See note
2	107400287	1	CLAMPINGPLATE XC
3	302004030	1	STRAP FOR CABLE
4	302004031	1	DISTRIBUTION STRIP 6-POL 16A
5	302004023	1	CONTACT SPRING
6	302003385	1	SEALING KIT R
7	302003384	1	MOTOR KIT 1200W 230V
7	302004006	1	MOTOR 1200W/100V JP W.GASKET
8	302004029	1	SCREW 5X18
9	302004032	1	SCREW 3.5X18
10	302004045	1	SOUND INSULATION OUTLET
11	302003319	3	SCREW KIT ATTIX/IVB
13	107400291	1	MAGNET 24V FPR 230V MACHINE
13	107400292	1	MAGNET 24V FPR 210V MACHINE
14	107400289	1	SERVO BRACKET
15	107400290	1	SERVO FOR XC
16	107400262	1	WIRE 1X200 YELLOW/GREEN
17	107400276	1	SERVO WIRE XC
18	107400309	2	HOSE D3X1.5 TURBINE SIDE XC

* Note: During service or repair of vacuum head always change Airguide 302004015 and Cover for air circuit 107401051

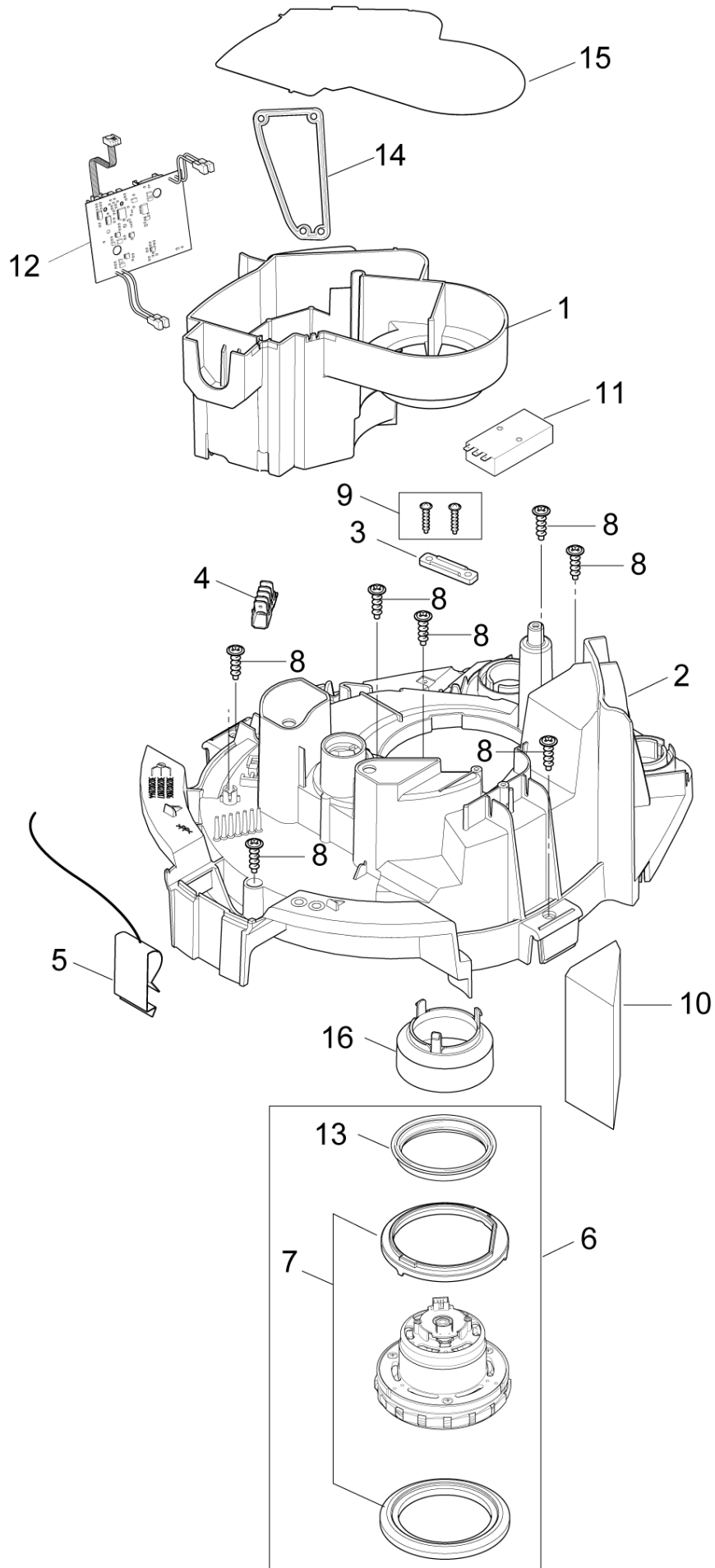
Motor EC and Clean Room

ATTIX 50 PC, XC, EC, Clean Room

27-05-2012

Part List ID
ATTIX5008

16



Motor EC and Clean Room

ATTIX 50 PC, XC, EC, Clean Room

27-05-2012

Part List ID
A111X5008

17

Pos	Part no.	Qty	Description	
1	302004015	1	AIRGUIDE	* See note
2	302004009	1	CLAMPINGPLATE PC	
3	302004030	1	STRAP FOR CABLE	
4	302004031	1	DISTRIBUTION STRIP 6-POL 16A	
5	302004023	1	CONTACT SPRING	
6	107400042	1	MOTOR EC SET	
7	302003648	1	SEALING KIT R	
8	302004029	1	SCREW 5X18	
9	302004032	1	SCREW 3.5X18	
10	302004045	1	SOUND INSULATION OUTLET	
11	107402619	1	SCREENING FILTER KIT	
12	107400044	1	ELECTRONIC EC MOTOR KIT	
13	47364	1	PACKING RING 108X86X18	
14	107401050	1	INNER SEALING ATTIX 30-40-50	EC and Clean Room
15	107401051	1	COVER FOR AIR CIRCUIT	Clean Room - * See note
16	107401936	1	HOOD FOR EC	

* Note: During service or repair of vacuum head always change Airguide 302004015 and Cover for air circuit 107401051

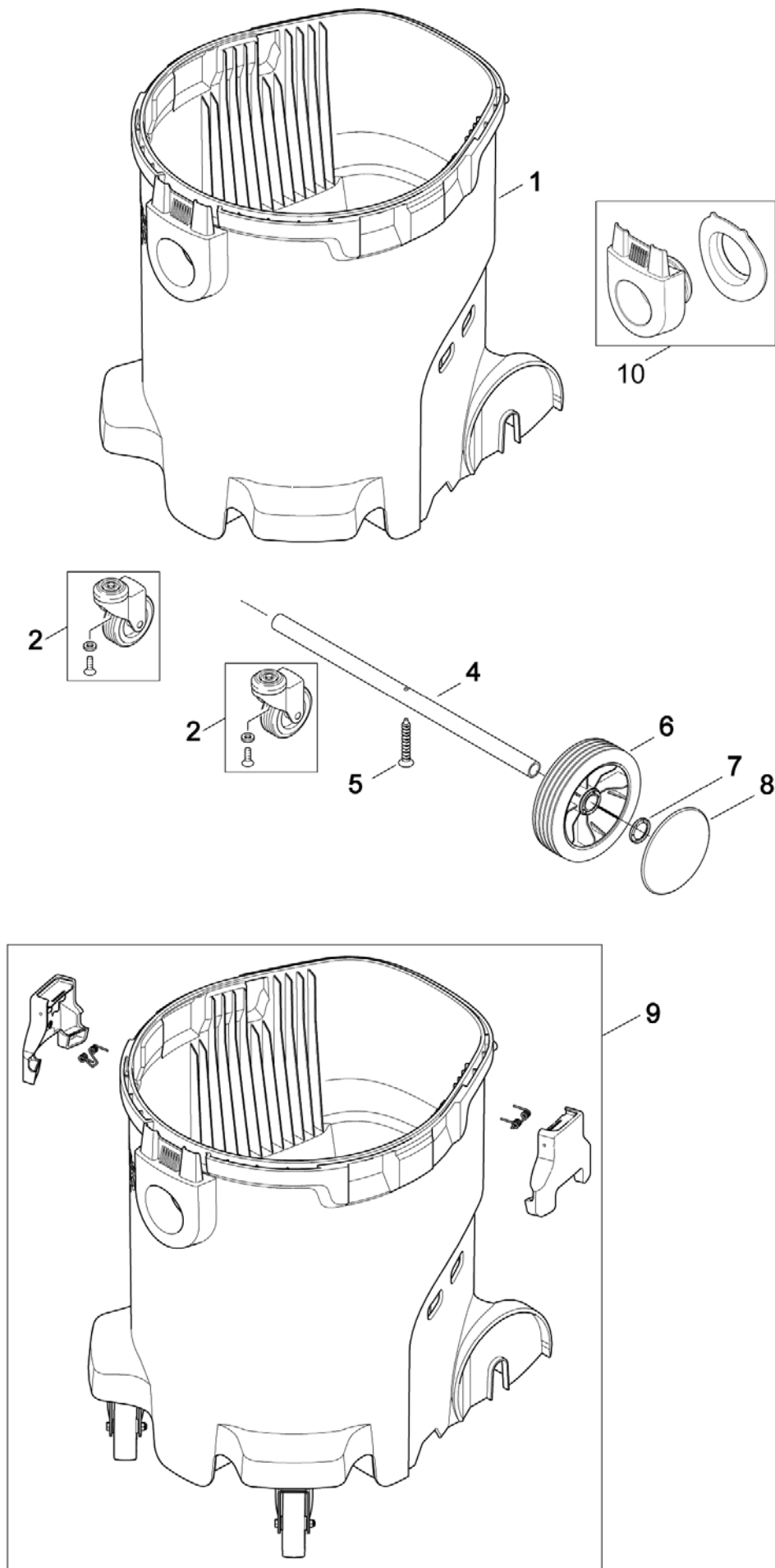
Container ATTIX 50

ATTIX 50 PC, XC, EC, Clean Room

27-05-2012

Part List ID
ATTIX5006

18



Container ATTIX 50

ATTIX 50 PC, XC, EC, Clean Room

27-05-2012

Part List ID
A111X5006

19

Pos	Part no.	Qty	Description	
1	107400305	1	CONTAINER WITH FITTING ATTIX50	* SEE NOTE
2	302004059	2	FRONT WHEEL FOR CONTAINER	
4	302004022	1	WHEEL AXLE	
5	107400063	1	SCREW 5X35	
6	302000639	2	WHEEL D150X20 BLACK	
7	47302	2	CLAMPING RING 28.6 20	
8	302000701	2	WHEEL CAP D115 A	
9	107400312	1	CONTAINER KIT ATTIX 50	* SEE NOTE
10	107402742	1	INLET - KIT FOR ATTIX 30/50	

* NOTE TSB Vac-092 clamp and container

For machines produced before serial number 09110030030 use Container upgrade kit 107400312

Default accessories

ATTIX 50 PC, XC, EC, Clean Room

27-05-2012

Part List ID
ATTIX5010

20

No Drawing For Part List

Default accessories

ATTIX 50 PC, XC, EC, Clean Room

27-05-2012

Part List ID
AI11X5010

21

Pos	Part no.	Qty	Description	
-	107400079	1	AIRBOX 230V 50 HZ EU	
-	107400453	1	FILTER FOR MOTOR COOLING 30/40/50	
-	302003717	1	EXHAUST AIR COLLECTOR	
-	302003721	1	MOTOR COOLING FILTER KIT	
	15325	1	HOSE D27X3500 AS WITH TOOL ADAPTER	
	15546	1	EXTEN TUBE Ø36 2X500MM SS	
	302000477	1	COMBI NOZZLE 260XØ36MM	
	302000490	1	FILTER ELEMENT D185X140 PET M-CLASS	
	302000528	1	CURVED HAND TUBE D36MM CR	
	302000529	1	EXTEN TUBE 36 2X500MM CR	
	302000535	1	TOOL ADAPTER D27 QUICKSYSTEM	
	302000728	1	DISPOSAL BAG SET5 ATTIX 5/50	
	302001682	1	AS HOSED36X5000MM WITH TOOL	
	302002842	1	FLAT FILTER PET NANO M-CLASS SET 2 PCS	
	302003666	1	INDST.FL.NOZZ.36X400MM W/BRUS.	
0	302003796	1	REPLACEMENT BRUSH STRIPS. SET OF 2 PCS.	For floor nozzle 302003666
0	302003797	1	REPLACEMENT RUBBER LIPS. SET OF 2 PCS.	For floor nozzle 302003666
	302004004	1	FLEECE FILTER BAG 40/50 SET 5pcs	
	46691	1	CURVED HAND TUBE Ø 36MM SS	
	46948	1	UNIV HOSED36X3000MM FOR	
	5146	1	BRUSH NOZZLE 70XØ36MM	
	60356	1	NOZZLE 360X Ø 36MM	
	6084	1	CREVICE NOZZLE 300XØ36 MM	

RECOMMENDED SPARE PARTS

ATTIX 50 PC, XC, EC, Clean Room

27-05-2012

Part List ID

ATTIX5014

22

No Drawing For Part List

RECOMMENDED SPARE PARTS

ATTIX 50 PC, XC, EC, Clean Room

27-05-2012

Part List ID
AI11X5014

23

Pos	Part no.	Qty	Description	
1	107400042	1	MOTOR EC SET	
1	107400044	1	ELECTRONIC EC MOTOR KIT	
1	107400056	1	GASKET FOR CONTAINER	ATTIX 50
1	107400057	1	SOCKET 16A/110V GB	
1	107400058	1	SOCKET 16A/250V GB	
1	107400059	1	SOCKET 16A/250V CH	
1	107400060	1	SOCKET 16A/250V DK	
1	107400064	1	TUBE HOLDER SNAP	
1	107400260	1	AUTO ON-OFF PCB XC 230-240V	230-240V
1	107400261	1	AUTO ON-OFF PCB XC 100-120V	100-120V
1	107400266	1	CORD H05RR-F 2X0.75 CH	
1	107400267	1	CORD H05RR-F 3G1.0 CH	
1	107400268	1	CORD H05RR-F 2X0.75 GB	
1	107400270	1	CORD H05RR-F 3G1.5 BS1 363 GB	
1	107400271	1	CORD H07BQ-F 3G2.5 GB	
1	107400272	1	CORD H05RR-F 3G1.5 ZA	
1	107400274	1	O-RING XC KIT	FILTERSYSTEM XC
1	107400276	1	SERVO WIRE XC	
1	107400277	1	CX FLAP KIT	FILTERSYSTEM XC
1	107400278	1	FILTERBRACKET PLATE XC	FILTERSYSTEM XC FROM 2009
1	107400283	1	SEALING FOR XC	FILTERSYSTEM XC
1	107400287	1	CLAMPINGPLATE XC	
1	107400290	1	SERVO FOR XC	
1	107400291	1	MAGNET 24V FPR 230V MACHINE	
1	107400292	1	MAGNET 24V FPR 210V MACHINE	
1	107400300	1	BASEPLATE XC	FILTERSYSTEM XC
1	107400301	1	CONTAINER CLAMP	SEE NOTE*
1	107400309	1	HOSE D3X1.5 TURBINE SIDE XC	
1	107400312	1	CONTAINER KIT ATTIX 50	SEE NOTE*
1	107400453	1	FILTER FOR MOTOR COOLING 30/40/50	ONLY CLEAN ROOM
1	107400730	1	ELECTRONICS 21 PC EC 230V SET1	
1	107401050	1	INNER SEALING ATTIX 30-40-50	EC AND CLEAN ROOM
1	107401051	1	COVER FOR AIR CIRCUIT	CLEAN ROOM - SEE NOTE
1	107401936	1	HOOD FOR EC	EC AND CLEAN ROOM
1	107402255	1	FILTER MOUNTING KIT XC	FILTERSYSTEM XC FROM 2009
1	107402255	1	FILTER MOUNTING KIT XC	
1	107402619	1	SCREENING FILTER KIT	
1	107402641	1	POWER CORD H05RR-F 3G1.5X8X2	
1	107402642	1	POWER CORD H05RR-F 3G1.0X8.2	
1	107402644	1	POWER CORD H05RR-F2X0.75X8.25	

* NOTE TSB Vac-092 clamp and container

For machines produced before serial number 09110030030 use Container upgrade kit 107400311, ATTIX 30 or 107400312, ATTIX 50

RECOMMENDED SPARE PARTS

ATTIX 50 PC, XC, EC, Clean Room

27-05-2012

Part List ID
AI 11X5014

24

Pos	Part no.	Qty	Description	
1	107402646	1	FILTER SUPPORT CAGE ATTIX PP	
1	302000460	1	GASKET FILTER	
1	302000490	1	FILTER ELEMENT D185X140 PET M-CLASS	
1	302000639	1	WHEEL D150X20 BLACK	
1	302000728	1	DISPOSAL BAG SET5 ATTIX 5/50	
1	302000882	1	POWER CORD SJTW-AWG16/3X8	
1	302001095	1	FILTER ELEMENT D185X140 HEPA	HEPA
1	302002842	1	FLAT FILTER PET NANO M-CLASS SET 2 PCS	FILTERSYSTEM XC
1	302002842	1	FLAT FILTER PET NANO M-CLASS SET 2 PCS	
1	302003384	1	MOTOR KIT 1200W 230V	
1	302003385	1	SEALING KIT R	
1	302003388	1	MOTOR KIT 1000W 120V	
1	302003648	1	SEALING KIT R	
1	302003717	1	EXHAUST AIR COLLECTOR	ONLY CLEAN ROOM
1	302003721	1	MOTOR COOLING FILTER KIT	ONLY CLEAN ROOM
1	302004004	1	FLEECE FILTER BAG 40/50 SET 5pcs	
1	302004006	1	MOTOR 1200W/100V JP W.GASKET	
1	302004007	1	BASEPLATE PC	
1	302004008	1	GASKET FOR CONTAINER	ATTIX 30
1	302004009	1	CLAMPINGPLATE PC	
1	302004011	1	AUTO ON-OFF SWITCH ELECTRONIC	FOR -21 PC
1	302004014	1	CORD H07RN-F2X1X8.05 CEE7 EU	
1	302004015	1	AIRGUIDE	SEE NOTE**
1	302004023	1	CONTACT SPRING	
1	302004027	1	TUBE HOLDER HOOK	
1	302004034	1	SOCKET 16A/250V EU	
1	302004035	1	ON-OFF SWITCH	FOR -01 PC WITHOUT SOFTSTART
1	302004036	1	SOCKET 16A/250V FR	
1	302004038	1	POWER CORD H07RN-F2X1X8.05	
1	302004039	1	CORD H05RR-F3GX0.75AS3112 AUNZ	
1	302004040	1	CORD SJTW-A AWG16/2 JP	
1	302004058	1	PLUG FOR BASIC	
1	302004059	1	FRONT WHEEL FOR CONTAINER	
1	302004060	1	AUTO ON-OFF SWITCH E.SOFTSTART	FOR -11 PC & -01 PC WITH SOFTSTART
1	302004338	1	SOCKET 15A/125V US/CSA	
1	47302	1	CLAMPING RING 28.6 20	
1	47364	1	PACKING RING 108X86X18	

* NOTE TSB Vac-092 clamp and container

For machines produced before serial number 09110030030 use Container upgrade kit 107400311, ATTIX 30 or 107400312, ATTIX 50