

NVC ETI LIGHTING CO., LTD.

产
品
说
明
书

Product Instruction Manual

产品名称: LED吸顶灯
Product Name: LED ceiling lamp

型号编码Model No.: 54074491

目录Content

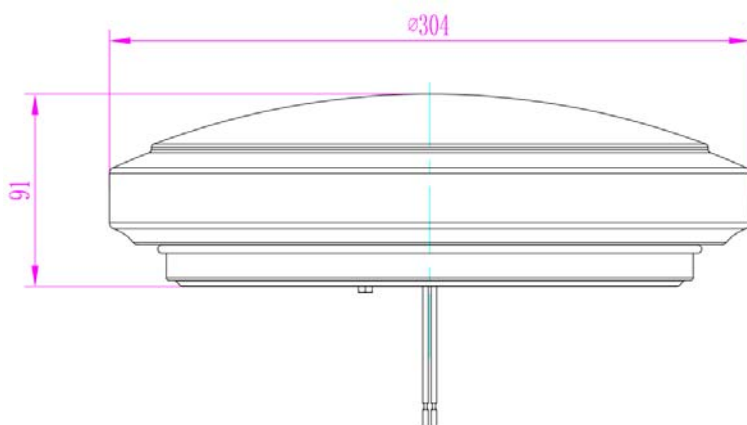
1.产品简介ProductIntroduction-----	2
1.1产品描述ProductDescription-----	2
1.2产品示意图SchematicDiagram-----	2
2.产品特性ProductFeature-----	2
2.1产品特点Productcharacteristic-----	2
2.2技术参数Specification-----	3
2.3配光性能LightDistribution-----	4
3. 安装方法Methodofapplication-----	4-7
4.维护说明MaintenanceInstruction-----	7
5.环境要求Environmentalrequirement-----	8
6.产品执行标准Productcarriedstandard-----	8
7.包装说明Packageinstruction-----	8
7.1包装规格Packagespecification-----	8
7.2包装清单Packagelist-----	8

1. 产品简介 Product Introduction

1.1. 产品描述: Product Description

- 1 外形尺寸: $\Phi 292 \times 75 \text{mm}$; Dimension: $\Phi 292 \times 75 \text{mm}$
- 2 底盘: 铁板+喷粉, 灯罩为PMMA光学扩散板;
Lamp plate: SPCC Powderspray, lamp cover: PMMA optical diffuser
- 3 内置非隔离电源+防火电源盒;
built-in drive & fire prevention drive box
- 4 三星 2835灯珠。
Samsung -LED-2835

1.2. 产品示意图: Product schematic diagram:



2. 产品特性 Product Features:

2.1. 产品特点 Product characteristics :

- a. 长寿命 (5 万小时以上), 是荧光灯7 倍寿命; Long lifetime (above 50,000hrs), 7 times of lifetime of fluorescent lamp;
- b. 高效节能环保 (14W LED 吸顶灯灯可代替60W 白炽灯, 比白炽灯省电60%); High efficiency, energy saving, environmental friendly (A 14W led lamp can replace a 60 w electric incandescent lamp , saving 60% of energy)
- c. 耐冲击, 抗震能力强, 无紫外线和红外线辐射; 转换效率高能适应恶劣环境, 能满足写字楼, 酒店, 家居, 商场, 学校, 图书馆等各种使用场合。
Impact resistant, shock resistant, no UV and IR radiation: high conversion rate and adaptable to severe environment , universal application to office , hotel ,supermarket ,school and library ,etc
- d. 绿色环保, 无有害气体排放, 使用热量低, 安全可靠。Green Initiative, no harmful gas is emitted, low heat is generated while used, safe and reliable .
- e. 光色纯正, 使用过程中无频闪, 提供更好的视觉感受, 保护人眼视力。Authentic and pure light color, no flicker, protecting your eyes while providing better visual enjoyment .

2.2 技术参数 Specification

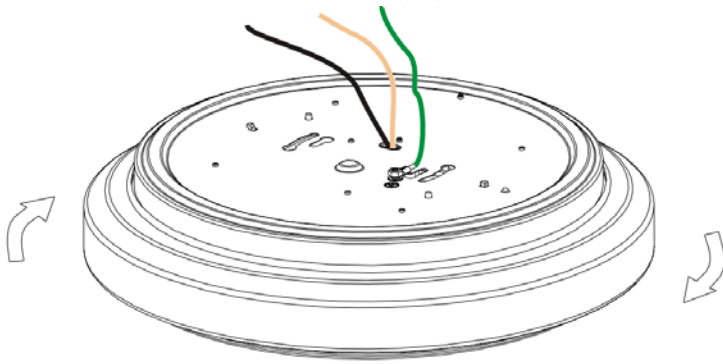
项目/单位 Item/	参数 Parameter
电气参数 Electronic ratings	
额定整灯功率/W Rated Power/W	14.5W
额定输入电压/V Rated Input voltage/V	AC120V

额定工作频率/HzFrequency/Hz	60Hz
额定电源效率/%RatedPowerefficiency	88%
额定功率因数（PF）RatedPowerFactor	0.9
额定输入电流/ARatedInputcurrent/A	AC120V : 0.12
额定总谐波失真RatedI-THD	<20%
是否调光	带微波感应开关
额定R9RatedR9	
光源参数Photometricratings	
LED类型/数量LEDtype/Qty.	SMD2835 /20PCS
整灯光通量/LmRatedLumenOutput	1000lm
表面照度(1.5米中心距)/LuxIlluminance(1.5m)/Lux	
色温/KCCT	4000K
显色指数/RaCRI	≥80
光束角BeamAngle	≥110
物理参数Physicalinformation	
材质Material	SPCC+PMMA
工作温度operatingtemperature	-20℃～45℃
储存温度storagetemperature	-20℃～60℃
防护等级IPrating	IP20
灯具规格(L×W×H)/mmLuminaireredimension(L×W×H)/mm	Φ 292x75
净重/gNetweight	
设计寿命/hrsLifetime/hrs	50000h

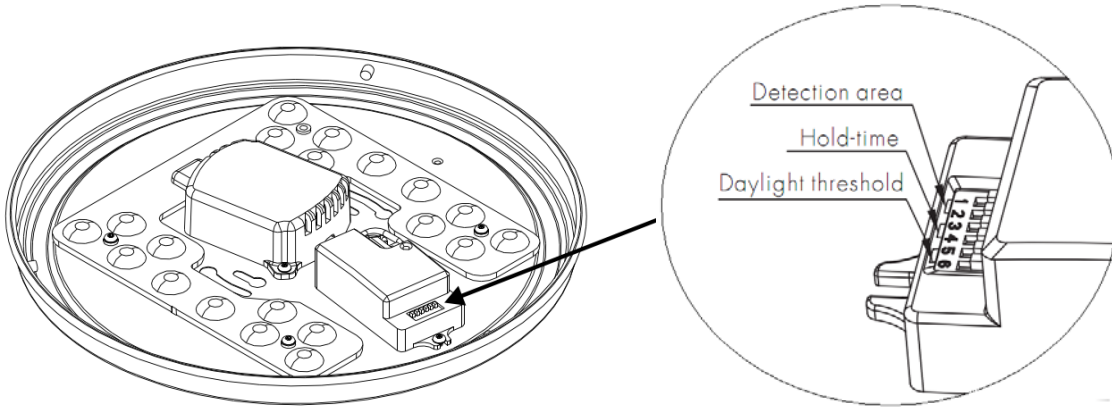
2.3 配光曲线 Light distribution （配光曲线图Light distribution pattern）（照度分布图 Illuminance distribution ）

3 安装方法 Installation Instructions

1. 逆时针旋转将灯罩取下，请注意，不能用装饰爪受力。
Put the Fixture flat on the desktop, turn the lamp shade counterclockwise , and then take out the lamp shade 。

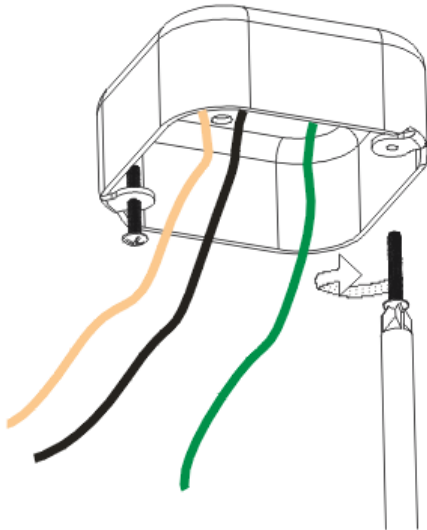


2. 必要时，可根据实际所需，选择设置微波感应的距离、时间、触发感应的亮度。

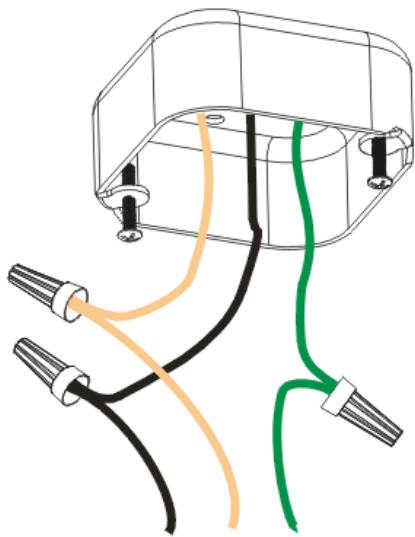


3. 将#8-32 螺钉固定在天顶上的接线盒上。

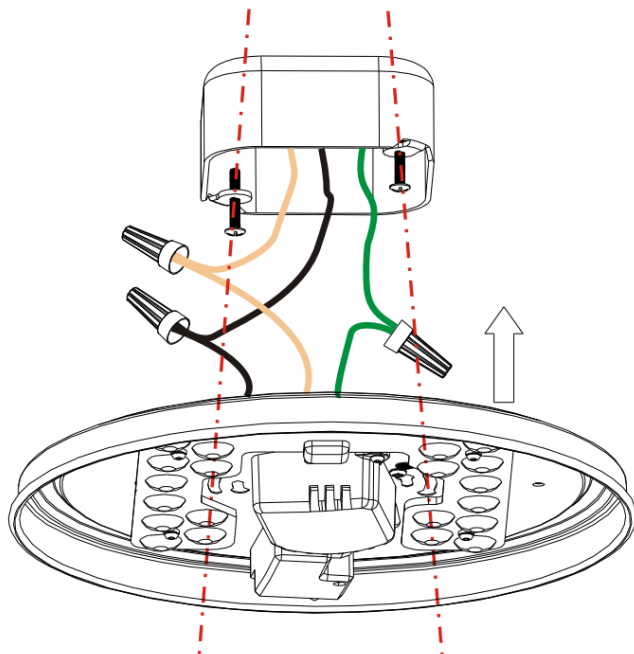
Install the electrical box screws (#8-32UNC) in the junction box.



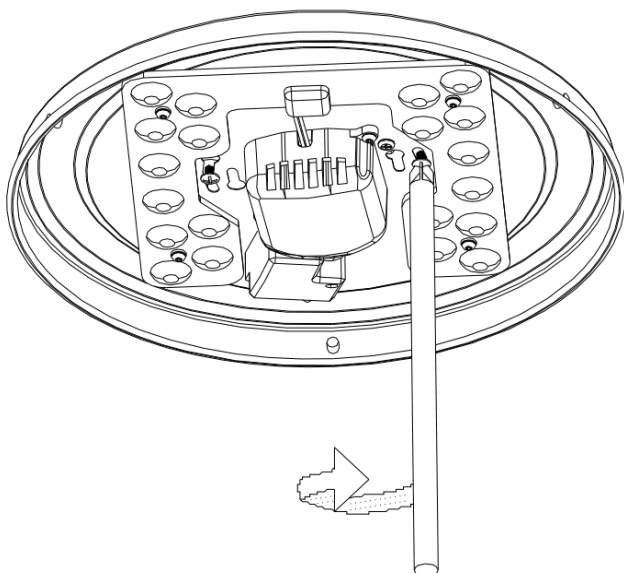
4. 将灯上的黑线与接线盒中 L 线相连，白线与 N 线相连，绿色线与地线相连，然后用旋帽将三条线拧紧。
Connect the **black** color L line(Mark 1) to the L line come out from junction box with the wirecap. Connect the **white** color N line(Mark 2) to the N line come out from junction box with the wirecap. Connect green color ground line(Mark 3) to the ground line come out from junction box with the wirecap.



5. 将灯具上中间安装孔对准接线盒上的螺钉套上。
Put the central holes of the fixture plate across the screw of the junction box.

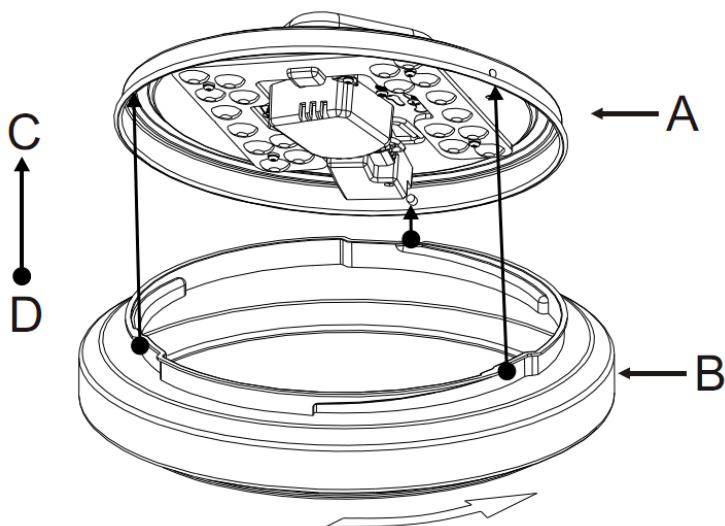


6. 按箭头方向旋紧灯具，再将螺钉锁紧。
Rotate fixture plate per the direction of arrow and lock it tightly with the screw lock



7. 用双手提起灯罩（B）。瞄准灯罩（D）的锁定位置壳体板（C）中的一个。紧压灯罩（B）就位外壳板（A）。转动灯罩（B）顺时针旋转以完全固定盘子。

Lift the diffuser (B) with two hands. Aim the lock position of diffuser (D) at the one of housing plate (C). Tightly get the diffuser (B) seated in the housing plate (A). Turn the diffuser (B) clockwise to secure entirely with housing plate.



- 7.接通电源开关，点亮灯具。

4. 维护说明Maintenance instruction

- 4.1 为延长使用寿命请勿使用酒精等挥发性溶剂擦拭灯体；

Do Not use volatile solvent such as alcohol to clean the troffer.

- 4.2 清洁时可以使用柔棉布沾肥皂水拧干后擦拭灯体；

Use soft cotton cloth with suds to clean the troffer .

- 4.3 非专业人士请勿拆修灯具；

Non-professional Do not attempt to take apart and repair the troffer .

- 4.4 该灯具电源为专用适配的恒流电源，请勿私自更换电源。

Please use the constant-current driver exclusively adaptive to the troffer, do not change the driver without permission .

FCC STATEMENT

This device complies with Part 15 of the FCC rules. Operation is subject to the following two conditions: 1) this device may not cause harmful interference, and 2) this device must accept any interference received, including interference that may cause undesired operation.

Changes or modifications not expressly approved by the party responsible for compliance could void your authority to operate the equipment.

The device has been evaluated to meet general RF exposure requirement, the device can be used in portable exposure condition without restriction.

NOTE: This equipment has been tested and found to comply with the limits for a Class B digital device, pursuant to Part 15 of the FCC Rules. These limits are designed to provide reasonable protection against harmful interference in a residential installation.

This equipment generates uses and can radiate radio frequency energy and, if not installed and used in accordance with the instructions, may cause harmful interference to radio communications. However, there is no guarantee that interference will not occur in a particular installation. If this equipment does cause harmful interference to radio or television reception, which can be determined by turning the equipment off and on, the user is encouraged to try to correct the interference by one or more of the following measures:

- Reorient or relocate the receiving antenna.
- Increase the separation between the equipment and receiver.
- Connect the equipment into an outlet on a circuit different from that to which the receiver is connected.
- Consult the dealer or an experienced radio/TV technician for help.

IC STATEMENT

This device complies with Industry Canada licence-exempt RSS standard(s). Operation is subject to the following two conditions: (1) this device may not cause interference, and (2) this device must accept any interference, including interference that may cause undesired operation of the device.

Le présent appareil est conforme aux CNR d'Industrie Canada applicables aux appareils radio exempts de licence. L'exploitation est autorisée aux deux conditions suivantes : (1) l'appareil ne doit pas produire de brouillage, et (2) l'utilisateur de l'appareil doit accepter tout brouillage radioélectrique subi, même si le brouillage est susceptible d'en compromettre le fonctionnement.

5. 环境要求Environment requirement

使用环境温度Operating temperature : -20~45℃; 存贮环境温度Storage temperature : -20~60℃。

6. 产品执行标准Product carried standard

UL-1598/UL8750/ ENERGY STAR

7. 包装说明Package Instruction

7.1 包装规格Packing Specification

7.2 包装清单: Package list

包装盒尺寸	Package size	mm
灯具数量/ 箱	Lamp Qty./box	套/箱
净重	Net weight	
毛重	Gross weight	

物品名称	Item	数量Qty.
吸顶灯	Ceiling lamp	1
说明书	Instruction manual	1
螺钉	screw	2
接线帽	Wiring cap	3